

JOANNA-4

"JOANNA-4" is a modern, efficient and reliable machine, the newest model in the series of „JOANNA” currant harvesters. The harvester has been built based on more than 30 years of experience in manufacturing of harvesters for berry and currants. It meets the expectations of Customers who are looking for simple and reliable machines offered at a competitive price.

This machine is designed for harvesting black currant, red currant, aronia, gooseberry, saskatoon berries, rose hips and other berry fruits.

All models of half-row berry harvesters „JOANNA-4” harvester are equipped with one-shaker harvesting system – this system guarantees 100% effectiveness of harvesting with minimum loss of fruits. The fruit harvesting system is equipped with a modern, maintenance-free, silent-running head for shaking off fruits. Thanks to new covers and sealing units the harvester eliminates loses of fruits and upgrades efficiency of fruit cleaning section.

JOANNA-4 is high quality, durable, professional machine, manufactured with best components and equipment that guarantees many years of efficient work.



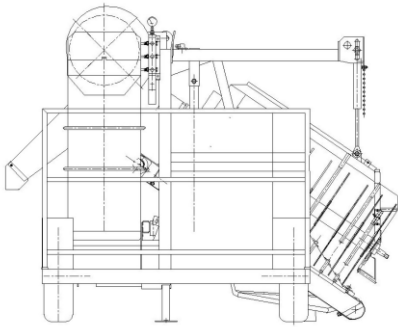
WEREMCZUK AGROMACHINES

TECHNICAL DATA	METRIC	IMPERIAL
Harvester type	Half-row, pull-behind, with one shaking unit	
Working drives	Hydraulic, fully adjustable, with oil cooler and thermostat	
Accuracy of harvesting	More than 98%	
Min. PTO power demand	30 HP	
Harvesting capacity	0,1-0,15 ha/hour	1/3-1/4 acre/hour
Output	1 500 kg/hour average	3 300 lbs/hour average
Min. fruits harvesting height	20 cm	8"
Fruit collection	Big 500 kg totes or small 10-20 kg boxes	Big 1 100 lbs totes or small 20-40 lbs boxes
Working platform load capacity	650 kg (optionally 1 150 kg)	1 433 lbs (optionally 2 535 lbs)
Weight	1 500 kg	3 307 lbs



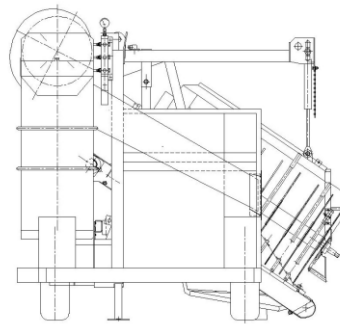
Available models of Joanna-4:

STANDARD



Designed for work at plantations with distance between the rows 3,8 m (14 ft) and more. This model has wider platform and cleaning air output on the left side.

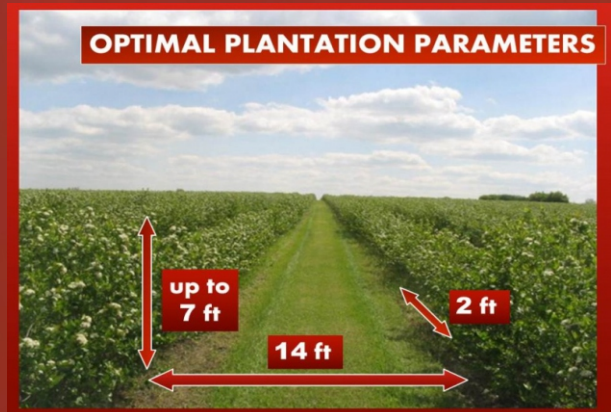
SLIM



Designed for work at plantations with distance between the rows 3,5 m (12 ft) and more. This model has narrower platform and cleaning air output on the right side.

Both models of Joanna-4 harvester are offered in versions:

- **ARONIA VERSION** – equipped with specially reinforced head that is suitable for harvesting aronia
- **CURRENT VERSION** – suitable for harvesting blackcurrant, red currant and saskatoon berries
- **EXTRA-LOW** – suitable for harvesting low bushes like gooseberry or dedicated for young bushes



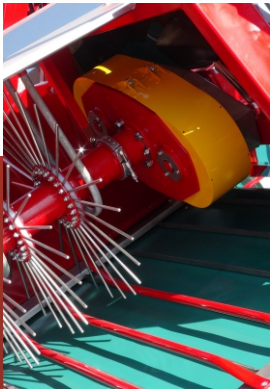
RED CURRANT HARVEST



Joanna-4 standard equipment includes:

- one-shaker harvesting system, proved to be most effective
- most modern shaking head, effective and durable (1)
- hydraulic, fully adjustable drives of working elements (2)
- high-quality hydraulic equipment
- hydraulic system with automatic oil cooler and filter
- movable frame with rounded glide on both sides
- mechanical screw to adjust position of draw bar during harvest (3)
- adjustable height of draw bar hitch (4)
- durable conveyors with thick stainless steel shelves and 3/4" chain
- possibility to pick up in small and big boxes, all sizes
- all hydraulic pipes connectors compliant with UNF (USA standard) or metric
- easy to change shaking rods
- set of basic spare parts
- instruction manual in English (Spanish available) with spare parts catalogue and servicing instruction
- lifted shaking unit – one pair of hydraulic couplings in tractor demanded
- demands min. 30HP PTO power

1



2



3



4



Available optional equipment for Joanna-4 harvester:



Attachment to pick up small bushes



Hydraulic adjustment of draw bar position



Three-point-suspension hitch



Fork hitch



Adjustable platform wheel for work on crosswise slopes



Hydraulic regulation of rear wheels turns



Set of equipment for placing two totes one after the other



Wider platform for bigger capacity



Working platform roofing



Pair of regular rollers for unloading totes



Working lights on the platform and above the shaking unit



Shaking rod coated with rubber

See also our other machines for orchards and bushes plantations:



Root shredder
SAMSON



Tunnel sprayer



Pruning machine
ROCH



Mower for orchard
KS-2.2R



Multifunction treatment
machine for orchards and
plantations

PRODUCER:
WEREMCZUK FMR Sp. z o.o. (Ltd)
BELZYCKA Str. 73, 24-220 NIEDRZWICA DUZA
POLAND
TEL: +48 81 517 15 66, +48 81 517 15 77
FAX: +48 81 517 15 60
weremczukagro@gmail.com

www.weremczukagro.pl
www.aroniaharvest.com