

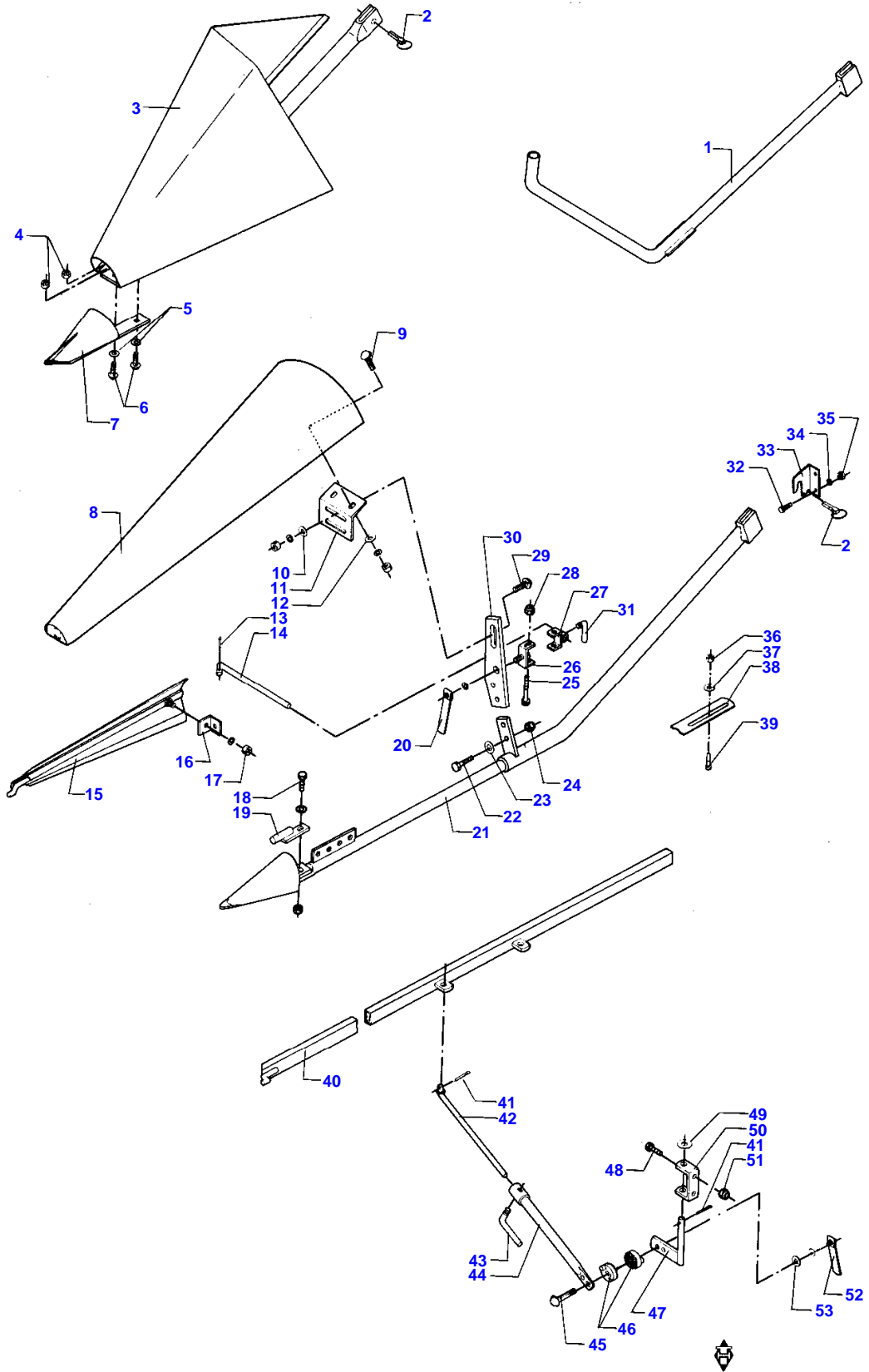
Page Title	Page Number
STRAW DIVIDER	1-1
KNIVES AND FINGERS	1-2
KNIFE CRANK AND BELLE CRANK	1-3
FEEDER DRUM	1-4
COUNTER SHAFT	1-5
GUARDING AND REDUCING EQUIPMENT	1-6
WEARING PLATES AND STONE STOP	1-7
TABLE TRAILER 1	1-8
TABLE TRAILER 2	1-9
LIGHTENING BRACKET	1-10
REVERSE DRIVE OF CUTTING TABLE	1-11
SIDE KNIFE	1-12
REEL	2-1
REEL SUSPENSION AND ECCENTRIC	2-2
REEL SUSPENSION AND HYDRAULIC CYLINDERS	2-3
REEL SUSPENSION AND HYDRAULIC MOTOR	2-4
FEEDER SHAFT, LOWER	3-1
FEEDER SHAFT, UPPER WITH SUSPENSION	3-2
FEEDER CHAIN - PROTECTIVE PLATES	3-3
TABLE CLUTCH (F.39363)	3-4
TABLE CLUTCH (T.39362)	3-5
GUARDING	3-6
HYDRAULIC CYLINDER - EL - CYLINDER	3-7
CONCAVE	4-1
CONCAVE SETTING	4-2
THRESHING DRUM	4-3
DRUM SELECTOR WITH GUARDING	4-4
STONE TRAP	4-5
DRUM COVER	4-6
STRIPPER BEATER WITH PULLEYS (F.40985)	4-7A
STRIPPER BEATER WITH PULLEYS (T.40984)	4-7B
CHECK FLAPS	4-8
STRAW SHAKER AND CRANKS	5-1
MAIN FAN WITH BOTTOM PLATE AND SHUTTER	6-1
GUARDING AT MAIN FAN - ACCUMULATOR	6-2
MAIN FAN BLADES, GRAIN AUGER AND RETURN AUGER	6-3
MAIN FAN SELECTOR	6-4
CONVEYOR PAN WITH SUSPENSION	6-5
CLEANING UNIT DRIVE	6-6
CLEANING UNIT - SIEVES L=1050 MM	6-7
CLEANING UNIT WITH SUSPENSION	6-8
CLEANING UNIT - SIEVES L=1200 - DANIA	6-9
GRAIN ELEVATOR WITH TOP PART	7-1
GRAIN ELEVATOR WITH CHAIN AND BOTTOM PART	7-2
FILLING ELEVATOR WITH TOP PART	7-3
FILLING ELEVATOR WITH CHAIN AND BOTTOM PART	7-4
RETURN ELEVATOR	7-5
UPPER RETURN AUGER	7-6
SECOND CLEANER WITH FAN	8-1
CLEANER WITH FAN SHAFT AND BELT DRIVE	8-2
SECOND CLEANER WITH AWNER	8-3
SECOND CLEANER WITH CIRCULATION AND SUSP. STAY	8-4
SEED GRINDER	8-5
DISCHARGE AUGER, FIXED PART	9-1
SPREADER AUGER	9-2
DISCHARGE AUGER, SWIVEL PART - VIBRATION BEAM	9-3
DISCHARGE AUGER PIPE	9-4
SHUTTERS FOR GRAIN TANK - ROTORLAMP	9-5
GRAIN TANK TOP	9-6
SUCTION CHANNEL AND HYDRAULIC COOLER-PERKINS	10-1
RADIATOR HOSES AND CABLES (F.39138) (PERKINS)	10-2
RADIATOR HOSES AND CABLES (T.39137) (PERKINS)	10-3
AIR CLEANER (F.39138) (PERKINS)	10-4
AIR CLEANER (T.39137) (PERKINS)	10-5
STRAINER-PERKINS	10-6
SILENCER AND HOSES (F.39138) (PERKINS)	10-7

TABLE OF CONTENT

SILENCER AND HOSES (1.39137) (PERKINS)	10-8
ENGINE BRACKET, FRONT - PROPULSION PUMP (PERKINS)	10-9
P.T.O. AND COUPLING AF THRESHING MECHANISM (PERKINS)	10-10
ENGINE BRACKET, REAR - HYDR. PUMP (F.39138) (PERKINS)	10-11
ENGINE BRACKET, REAR - HYDR. PUMP (T.39137) (PERKINS)	10-12
FUEL TANK (PERKINS + VALMET)	10-13
OIL TANK - FRAME F. ENGINE COMPARTMENT (F.39138) (PERKINS)	10-14
OIL TANK - FRAME F. ENGINE COMPARTMENT (T.39137) (PERKINS)	10-15
SUCTION CHANNEL AND HYDR. COOLER (VALMET)	10-16
RADIATOR HOSES AND CABLES (VALMET)	10-17
AIR CLEANER (VALMET)	10-18
STRAINER AND RADIATOR BRACKET (VALMET)	10-19
PROPULSION PUMP - COUPL. OF THRESH. MECH. (VALMET)	10-20
ENGINE BRACKET AND SILENCER (VALMET)	10-21
P.T.O. AND HYDRAULIC PUMP (VALMET)	10-22
OIL TANK - FRAME FOR ENGINE (VALMET)	10-23
COMPRESSOR 1	10-24
COMPRESSOR 2	10-25
COUNTER SHAFT WITH SELECTOR	11-1
COUNTER DRIVE FOR CLEANING UNIT AND SHAKERS	11-2
BELT MOUNTING	11-3
FRONT AXLE WITH SIDE PINIONS AND WHEELS	12-1
REAR AXLE - 1	12-2A
REAR AXLE - 2	12-2B
STEERING WHEEL AND STEERING CYLINDER - REAR AXLE 1	12-3A
STEERING WHEEL AND STEERING CYLINDER - REAR AXLE 2	12-3B
FRONT AXLE WITH GEAR BOX 2 GEARS	12-4
GEAR BOX 2 GEARS DM	12-5
GEAR BOX 2 GEARS DM	12-6
GEAR BOX 2 GEARS DM	12-7
FRONT AXLE WITH GEAR BOX 3 GEARS	12-8
GEAR BOX 3 GEARS	12-9
GEAR BOX 3 GEARS	12-10
GEAR BOX 3 GEARS	12-11
SIDE PINIONS	12-12
GEAR BOX 2 AND 3 GEARS COBRA	12-13
GEAR BOX 2 GEARS COBRA	12-14
GEAR BOX 3 GEARS COBRA	12-15
SIDE PINIONS COBRA	12-16
LADDER - HANDRAIL - PLATFORM, LEFT	13-1
BOTTOM PLATES - PLATFORM, RIGHT	13-2
BRAKE PEDALS - BRAKE CABLES	13-3
OPERATORS SEAT	13-4
STEERING ARRANGEMENT	13-5
INSTRUMENT PANEL WITH SWITCHES AND CABLES	13-6
ADJUSTING LEVERS	13-7
CONTROL BOX 1	13-8
CONTROL BOX 2	13-9
CAB ROOF	13-10
CAB ROOF WITH AIR-CONDITION	13-11
DRIVER CABIN	13-12
WINDOW PANES	13-13
HYDRAULIC CYLINDER - STEERING CYLINDER 1	14-1A
HYDRAULIC CYLINDER - STEERING CYLINDER 2	14-1B
PROPULSION HYDRAULIC	14-2
AUXILIARY HYDRAULIC (F.39980)	14-3
AUXILIARY HYDRAULIC (T.39979)	14-4
HYDRAULIC FOR VIBRATION BEAM	14-5
HYDRAULIC CHART, REVERSE DRIVE	14-6
HYDRAULIC - TABLE F.39980	14-7
PROPULSION HYDRAULIC SAUER	14-8
BAND	15-1
STRAW NOSE - LADDER - STRAW GUIDE	15-2
UPPER GUARDING	15-3
LOWER GUARDING AND WIND GUARDING	15-4
CONDENSER	15-5
TOOLS - PAINT	16-1
WIRING - TABLE TRAILER	16-4

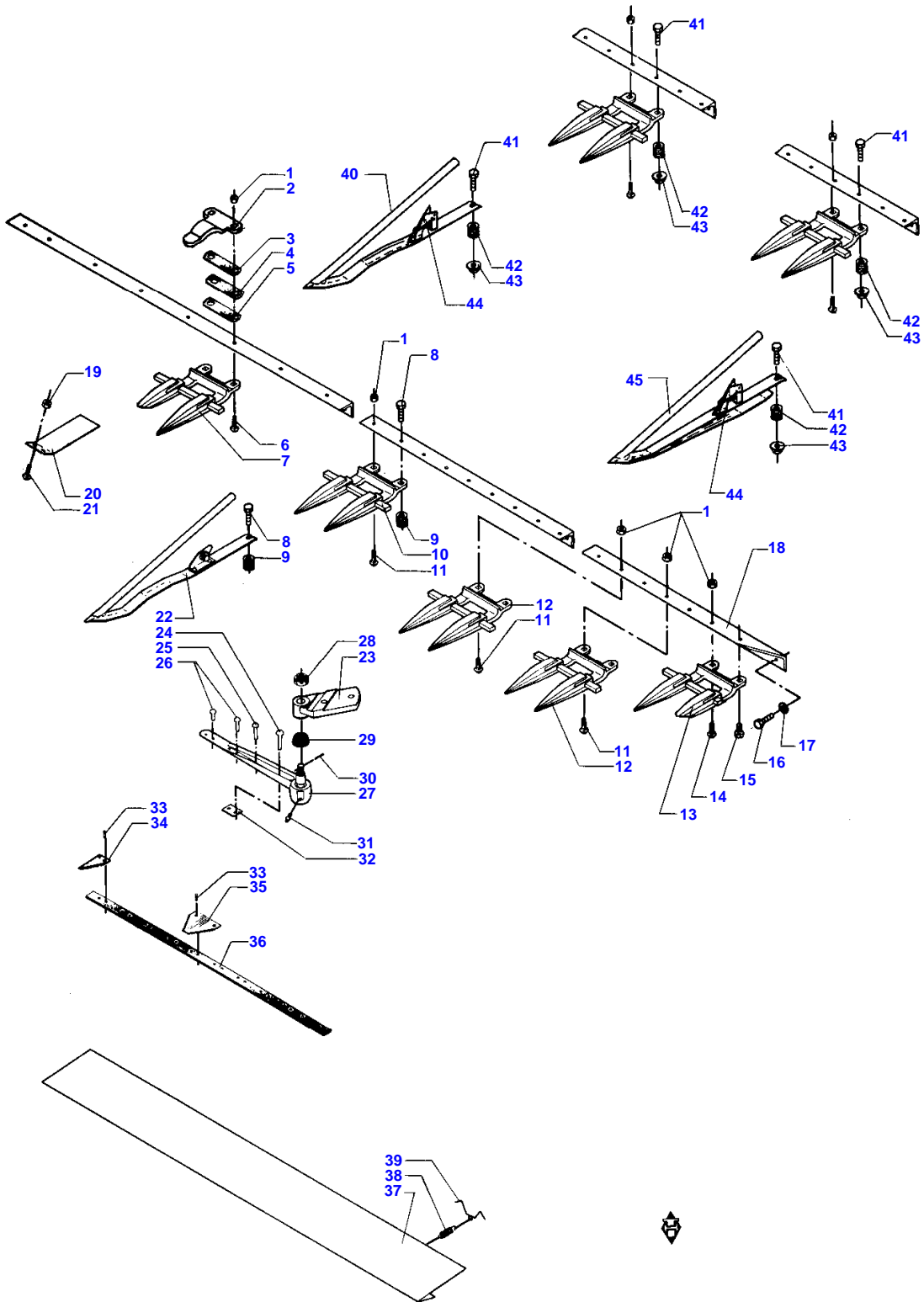
TABLE OF CONTENT

WIRING - UNI-CONTROL	16-5
WIRING - GRAIN LOSS MONITOR	16-6
STRAW CHOPPER 1	17-1
COUNTER DRIVE FOR STRAW CHOPPER	17-2
STRAW CHOPPER SUSPENSION	17-3
STRAW CHOPPER REKORD	17-4
ACCESSORIES REKORD	17-5
STRAW CHOPPER FLAP SYSTEM CHOPPER	17-6
SPREADER FLAP SYSTEM CHOPPER	17-7A
SPREADER FLAP SYSTEM CHOPPER	17-7B
STRAW CHOPPER 2	17-8A
STRAW CHOPPER 2	17-8B
SPREADER HOOD	17-9
TRANSMISSION 1	18-1
TRANSMISSION 2	18-2



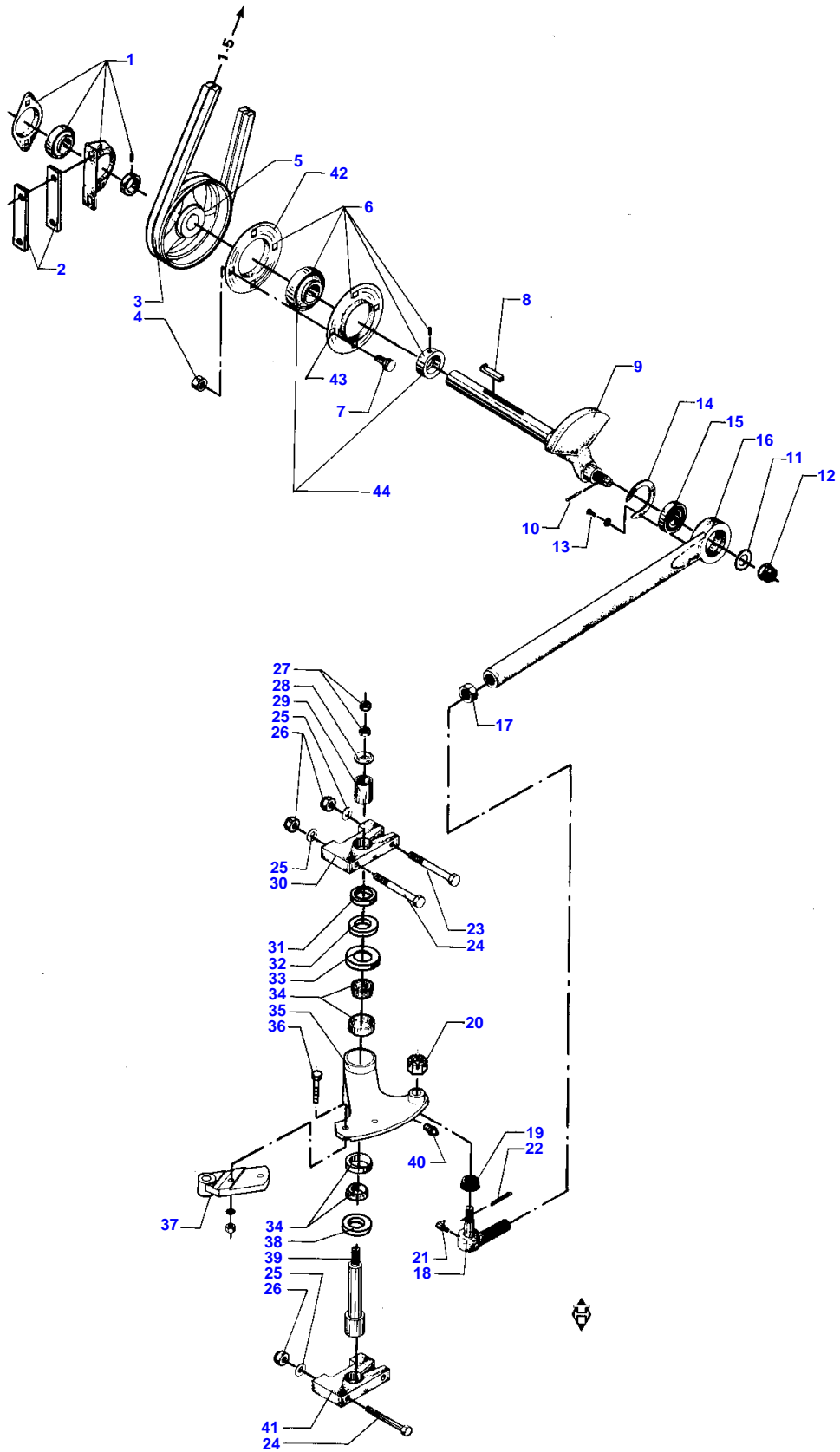
STRAW DIVIDER

Item	Part Number	Qty	Description	Comments
1	D28230460	2	Divider	
2	D41447300	2	Split Ring	
3	D28251801	1	Point	POS. 2 - 7
	D28251802	1	Point	POS. 2 - 7
4	D41087600	4	Locknut	
5	D20400471	4	Washer	
6	D40066800	4	Screw Metric	
7	D28260226	2	Point	
	D28230463	1	Divider	Right Hand (F0) POS. 8 - 31
	D28230464	1	Divider	Left Hand (F1) POS. 8 - 31
8	D28211126	1	Divider	
9	D40063700	2	Screw	
10	D20400471	2	Washer	
11	D28230447	1	Plate	
12	D20400409	2	Washer	
13	D41408700	1	SPLIT PIN	
14	D28230462	1	Rod	
15	D28230457	1	Wing	
16	D27200313	1	Angle	
17	D41010800	1	Nut Metric	
18	D40407900	1	Screw Metric	
19	D27200640	1	Stop	
20	D27300323	1	Locknut	
21	D28230517	1	Support	
22	D40405000	2	Screw Metric	
23	D20400409	2	Washer	
24	D41013500	2	Nut	
	D28230467	1	Mounting	POS. 25 - 28
25	D40424400	1	HEXAGON SCREW	
26	D28230468	1	Mounting	
27	D28230471	1	Mounting	
28	D41087500	1	Locknut	
29	D40066700	2	Screw	
30	D28250549	1	Plate	
31	D27200300	1	Pin	
32	D40407700	4	Screw	
33	D28230465	1	Support	Right Hand
	D28230466	1	Support	Left Hand
34	D20400471	4	Washer	
35	D41087600	4	Locknut	
36	D41087700	2	Locknut	
37	D20400426	2	Washer	
38	D28230453	2	Plate	
39	D40070200	2	Screw Metric	
	D28230487	2	Wing	POS. 40 - 53
40	D28230480	1	Wing	
41	D41410600	2	SPLIT PIN	
42	D28230482	1	Support	
43	D27200364	1	Handle	
44	D28230486	1	Pipe	
45	D40021300	1	Screw	
46	D28230488	2	Clutch	
47	D28230473	1	Support	
48	D40407700	2	Screw	
49	D20400518	1	Spacer	
50	D28230472	1	Bracket	
51	D41087600	2	Locknut	
52	D27300323	1	Locknut	
53	D20400426	1	Washer	(F0) ON THE RIGHT (F1) ON THE LEFT



KNIVES AND FINGERS

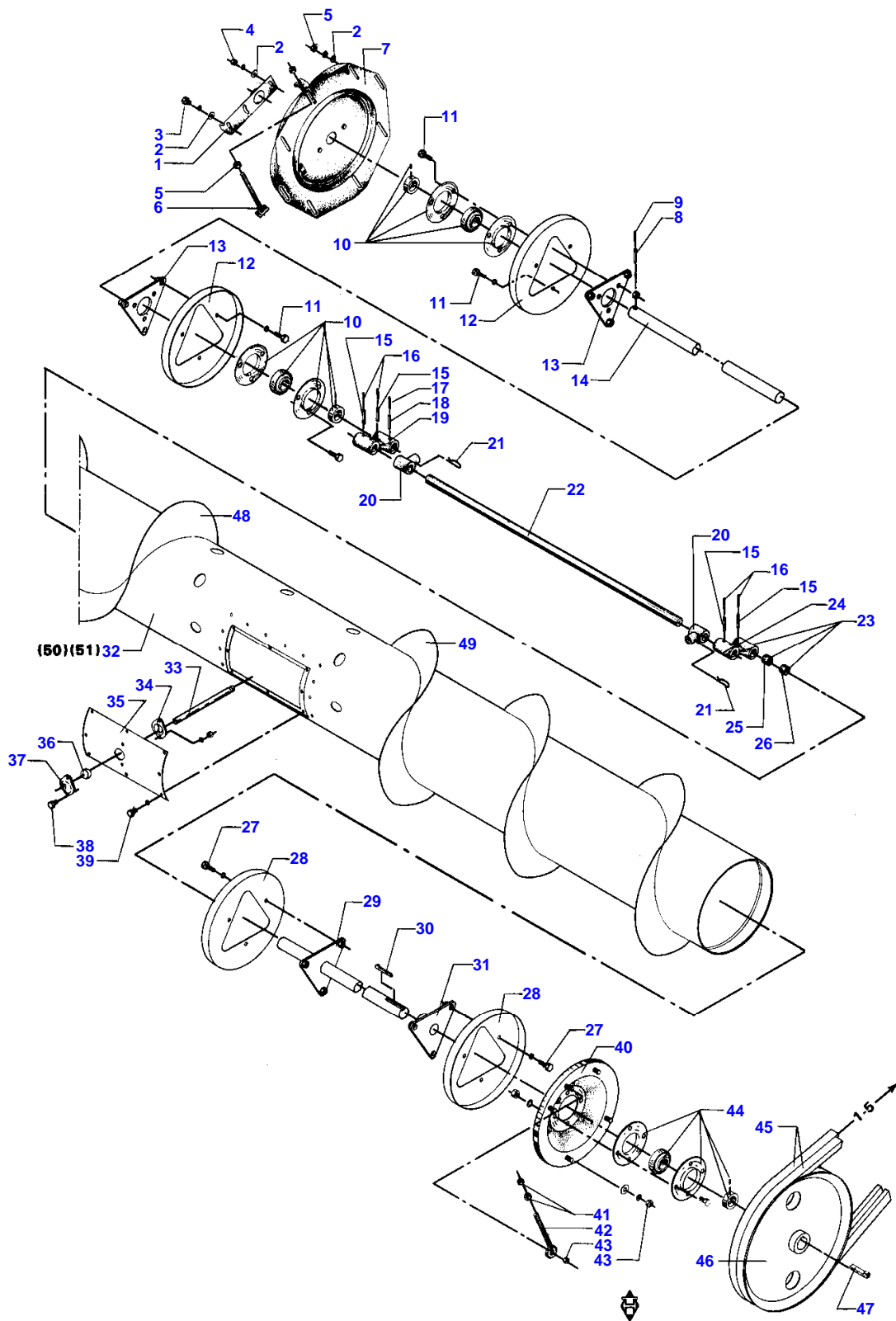
Item	Part Number	Qty	Description	Comments
1	D41010800		Nut Metric	
2	D25200899	12	Clip	12' -3,72 M
	D25200899	14	Clip	14' -4,34 M
3	D28210349		Shim	
4	D28210350		Shim	
5	D28230292		Shim	
6	D40551600		Bolt	
7	D28260531	1	Finger	
8	D40425800	12	Screw	12' -3,72 M
	D40407900	14	Screw Metric	14' -4,34 M
9	D28230833		Nut	
10	D44102900	21	Finger	12' -3,72 M
	D44102900	25	Finger	14' -4,34 M
11	D40551600		Bolt	
12	D44103300	2	Finger	
13	D44104400	1	Finger	
14	D40551500		Bolt	
15	D40407600	1	Screw	
16	D40407800		HEXAGON SCREW	
17	D20400471		Washer	
18	D28230011	1	Bar	14'
	D28250017	1	Bar	12'
19	D41013500	2	Nut	
20	D28230829	1	Guard	
21	D40063700	2	Screw	
22	D49040000	12	Ear Lifter	12' -3,72 M
	D49040000	14	Ear Lifter	14' -4,34 M
23	D28230227	2	Lever	
	D25201054	2	Knife	12'
				POS. 24 - 36
	D28230034	2	Blade	14'
				POS. 24 - 36
24	D41378300	3	Rivet	
25	D41377800	2	Rivet	
26	D41378200	4	Rivet	
27	D44120000	1	Knife Head	POS. 28 - 29
28	D41048700	1	Castle Nut	
29	D44120200	1	Cap	
30	D41406000	1	SPLIT PIN	
31	D43004900	1	Foam	
32	D28230120	1	Spacer	
33	D41377500		Rivet	
34	D44103400	1	Blade	
35	D44100000		Section	
36	D25201070	2	Knife Back	12' -3,72 M
	D28230008	2	Knife Back	14' -4,34 M
37	D28230842	1	Guard	(S3)
				POS. 38 - 39
37	D28230843	1	Guard	(S3)
				POS. 38 - 39
38	D26500317	2	Spring	
39	D28230841	2	Spring	
40	D49040200	12	Ear Lifter	(3)
				12' -3,72
40	D49040200	14	Ear Lifter	(3)
				14' -4,34
41	D40426100		Screw	TYPE 2 + 3
42	D49040500		Roller	TYPE 2 + 3
43	D41013600		Nut	TYPE 2 + 3
44	D49040400		Spring	TYPE 2 + 3
45	D49040300	12	Ear Lifter	(3)
				12' -3,72 M
45	D49040300	14	Ear Lifter	(3)
				14' -4,34 M
				(S3)
				12' AND 14'
				(3)
				OPTIONAL EQUIPMENT



KNIFE CRANK AND BELLE CRANK

Item	Part Number	Qty	Description	Comments
1	D41707300	1	Bearing	
2	D28211109	2	Shim	
3	D41964300	2	V Belt	
4	D41087700	4	Locknut	
5	D28250704	1	Pulley	
6	D41707900	1	Flange	
7	D40410800	4	HEXAGON SCREW	
8	D43155200	1	Gib Key	
9	D28250169	1	Arm	
10	D41409100	1	SPLIT PIN	
11	D20400448	1	Washer	
12	D41049100	1	Castle Nut	
	D28230249	1	Pitman	POS. 13 - 21
13	D40402200	3	Screw Metric	
14	D28220084	1	Lock Washer	
15	D41706100	1	Bearing Ball	
16	D28230247	1	Conrod	
17	D28220093	1	Locknut	
18	D44120100	1	Toggle	POS. 19 - 20
19	D44120200	1	Cap	
20	D41048700	1	Castle Nut	
21	D43005100	1	Greaser	T.915607
22	D41409000	1	Pin	
24	D40429800	4	HEXAGON SCREW	
25	D20400426	1	Washer	
26	D41087700	4	Locknut	
	D28230231	1	Bellcrank	POS. 27 - 40
27	D41012300	2	Nut	
28	D28220087	1	Washer	
29	D28250691	1	Bush	
30	D28210913	1	Clamp	
31	D28250690	1	Spacer	
32	D45409100	1	Seal	
33	D28250692	1	Ring	
34	D41667400	2	Bearing Roller	
35	D28230224	1	Crank	
36	D40428300	2	HEXAGON SCREW	
37	D28230227	1	Lever	
38	D45409000	1	Seal	
39	D28220086	1	Shaft	M16
40	D43001500	1	Greaser	
41	D28210913	1	Clamp	
42	D41711100	1	Flange	(T5)
43	D41712200	1	Flange	(T5)
44	D41663900	1	Bearing Ball	(T5)

ONLY FOR DRY LANDS

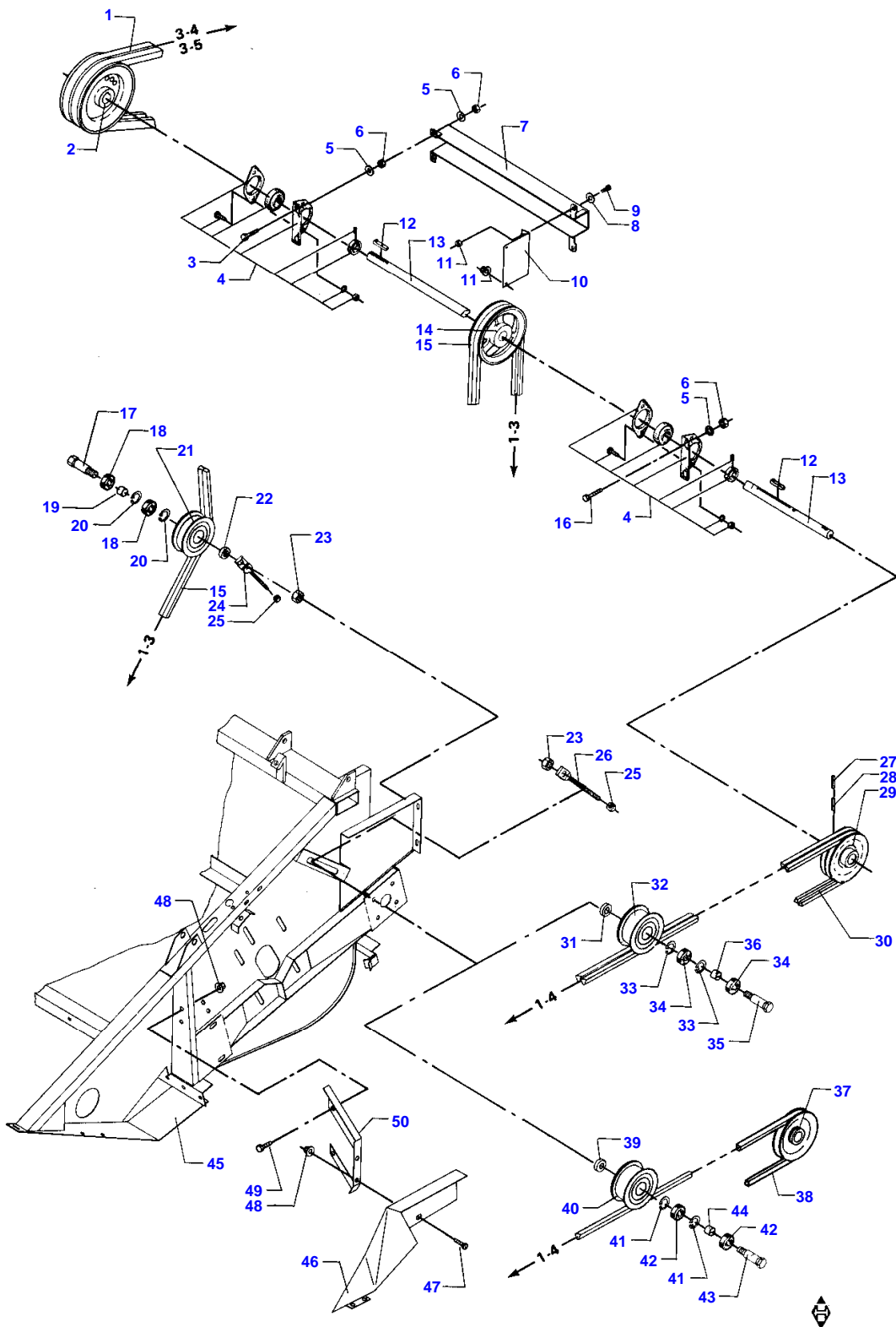


FEEDER DRUM

Item	Part Number	Qty	Description	Comments
1	D28250111	1	Bracket	
2	D20400409	11	Washer	
3	D40404700	1	Screw Metric	
4	D41010700	10	Nut Metric	
5	D41010800	2	Nut Metric	
6	D28211023	1	Bolt	
7	D28220110	1	Plate	T.915607
	D28251319	1	Plate	Right Hand F.915608
8	D42625300	1	Pin	
9	D42616400	1	Pin	
	D28250380	1	Shaft	POS. 10 - 26 12'
	D28250381	1	Shaft	POS. 10 - 26 14'
10	D41707800	2	Flange	
11	D40407700	12	Screw	
12	D28251405	2	Plate	+ F.914863
13	D28250107	2	Plate	
14	D28250108	1	Crankshaft	12'
	D28250109	1	Shaft	14'
15	D42616200	4	Pin	
16	D42609900	4	Pin	
17	D42616400	1	Pin	POS. 10 - 26
18	D42625300	1	Pin	
19	D28250385	1	Arm	Right Hand
20	D28250585	15	Support	
21	D28281236	15	Hair Pin	
22	D28200547	1	Shaft	
23	D28250384	1	Arm	POS. 24 - 26
24	D28250096	1	Arm	Left Hand
25	D43338100	1	Bearing	
26	D43338300	1	Bush	
27	D40407600	6	Screw	
28	D28251405	2	Plate	+ F.914863
29	D28250099	1	Drive Shaft	(S8) 12' POS. 30 - 31
29	D28250101	1	Drive Shaft	14' POS. 30 - 31
30	D43154300	1	Gib Key	
31	D28250535	1	Flange	
32	D28251363	1	Auger	POS. 10 - 31
	D28251410	1	Auger	POS. 10 - 31 12'
33	D28250566	15	Finger	
34	D28200150	15	Support	
35	D28200133	1	Cover	T.915607
	D28251302	1	Cover	T.915608
36	D28260314	15	Toggle	
37	D28200151	15	Support	
38	D40402400	30	Screw Metric	
39	D40402200	8	Screw Metric	
40	D28210870	1	Plate	
41	D41010800	2	Nut Metric	
42	D28210895	1	Bolt	
43	D41010700	5	Nut Metric	
44	D41707800	1	Flange	
45	D41983500	1	V Belt	(R9)
	D41983500	2	V Belt	(R8)
	D41983600	2	Belt	(T5)
46	D28210902	1	Pulley	(R9)
	D28250887	1	Pulley	(R8)
47	D43155200	1	Gib Key	
48	D28251336	1	Spiral	(U2) F.915608
48	D28251332	1	Spiral	(T7) F.915608
49	D28251335	1	Spiral	(U2) F.915608

FEEDER DRUM

Item	Part Number	Qty	Description	Comments
49	D28251329	1	Spiral	(T7) F.915608
50	D28251303	1	Tube	
50	D28250115	1	Cowl	
51	D28251338	2	Shell	(U2) F.915608
51	D28251337	2	Tube	14' (T7) F.915608 (R8) FOR TABLES WITH DOUBLE BELT (R9) FOR TABLES WITH SINGLE BELT (S8) 12' (T5) ONLY FOR DRY LANDS (T7) 14' (U2) 12'

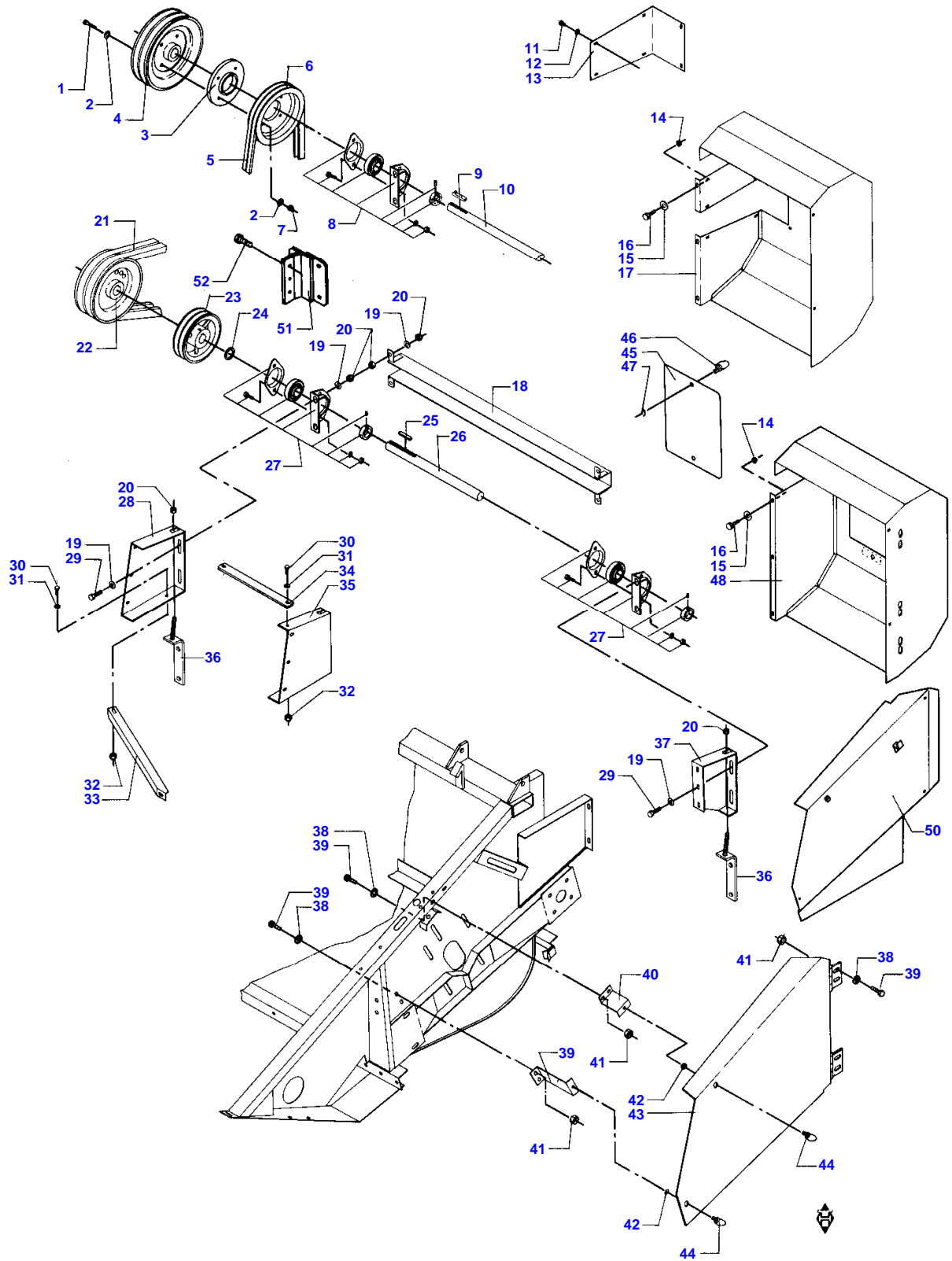


COUNTER SHAFT

Item	Part Number	Qty	Description	Comments
1	D41989400	2	V Belt	F.39138
	D41989200	2	V Belt	T.39137
2	D28250866	1	Pulley	(2) F.911160
2	D28250718	1	Pulley	(2) T.911159
3	D40410900	2	Screw	
4	D41707300	2	Bearing	
5	D20400426	6	Washer	
6	D41087700	4	Locknut	
7	D28250023	1	Guard	(U2)
	D28230441	1	Guard	(T7)
8	D20400453	2	Washer	
9	D40402400	2	Screw Metric	
10	D28230490	1	Bracket	
11	D41013400	4	Nut	
12	D43155300	2	Gib Key	
13	D28250888	1	Countershaft	Left Hand (R8) 12' -3.72 M
13	D28250889	1	Countershaft	(R8) 14' -4,34 M
13	D28240038	1	Countershaft	Left Hand (R9) 12' -3.72 M
13	D28230201	1	Countershaft	(R9) 14' -4,34 M
14	D28250440	1	Pulley	
15	D41964300	2	V Belt	
16	D40428300	2	HEXAGON SCREW	
17	D28250233	1	Bolt	
18	D41622700	2	Bearing Ball	
19	D28740028	1	Spacer	
20	D42513700	2	Circlip	
21	D28700607	1	Roller	
22	D28250234	1	Spacer	
23	D41088100	2	Locknut	
24	D28230266	1	Bolt	
25	D41087700	2	Locknut	
26	D28230267	1	Bolt	
27	D42616700	1	TIGHENING PIN	
28	D42625600	1	Pin	
29	D28230194	1	Pulley	(R8)
30	D41983500	2	V Belt	(R8)
	D41983600	2	Belt	(T5)
31	D28230245	1	Spacer	(R8)
	D28230246	1	Idler	(R8)
				POS. 32 - 36
32	D28230239	1	Pulley	(R8)
33	D42514000	2	Circlip	(R8)
34	D41622800	2	Bearing Ball	(R8)
35	D28250370	1	Bolt	(R8)
36	D28230244	1	Ring	(R8)
37	D28240034	1	Pulley	(R9)
38	D41983500	1	V Belt	(R9)
39	D28250234	1	Spacer	(R9)
40	D28700607	1	Roller	(R9)
41	D42513700	2	Circlip	(R9)
42	D41622700	2	Bearing Ball	(R9)
43	D28250233	1	Bolt	(R9)
44	D28740028	1	Spacer	(R9)
45	D28250186	1	Housing	12' 3,72 M
45	D28250187	1	Housing	14' 4,34 M
	D28050909	1	Parts Pack	(T5) POS. 46 - 50
46	D28950448	1	Plate	(T5)
47	D40689800	4	Screw	(T5)
48	D41013600	6	Nut	(T5)

COUNTER SHAFT

Item	Part Number	Qty	Description	Comments
49	D40407700	2	Screw	(T5)
50	D28950447	1	Support	(T5) (R8) FOR TABLES WITH DOUBLE BELT (R9) FOR TABLES WITH SINGLE BELT (T5) ONLY FOR DRY LANDS (T7) 14' (U2) 12' (2) NO. REFERS TO TABLE NUMBER

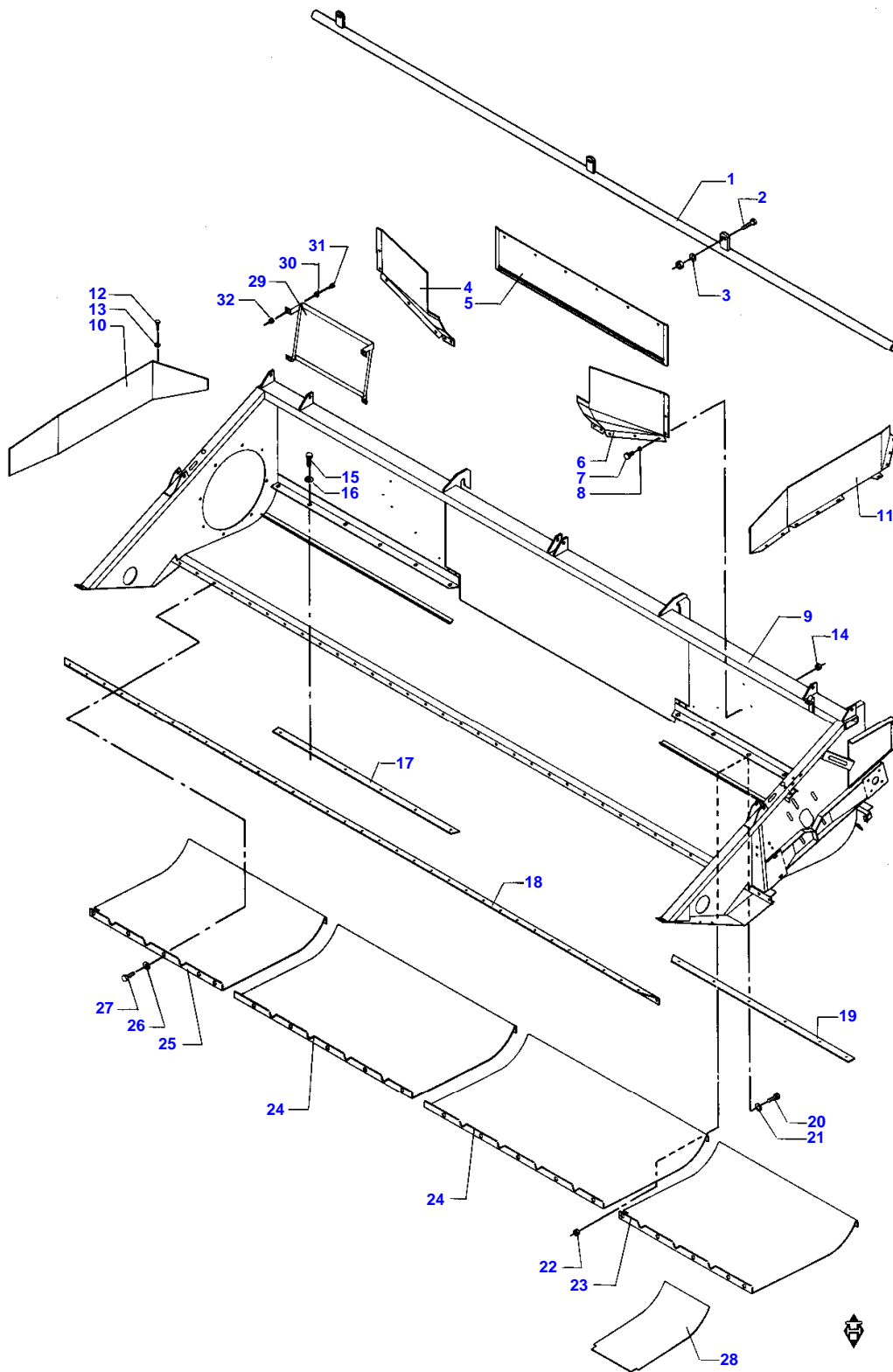


GUARDING AND REDUCING EQUIPMENT

Item	Part Number	Qty	Description	Comments
1	D40408100	4	HEXAGON SCREW	
2	D20400416	8	Washer	
3	D28250678	1	Bridle	
4	D28250867	1	Pulley	
5	D41925200	2	V Belt	
6	D28250681	1	Pulley	
7	D41087600	4	Locknut	
8	D41707300	2	Bearing	
9	D43155300	2	Gib Key	
10	D28250888	1	Countershaft	Left Hand (R8) 12' -3,72 M
10	D28250889	1	Countershaft	(R8) 14' -4,34 M
10	D28240038	1	Countershaft	Left Hand (R9) 12' -3,72 M
10	D28230201	1	Countershaft	(R9) 14' -4,34 M
11	D40402200	6	Screw Metric	
12	D20400405	6	Washer	
13	D28250927	1	Cover	12'
14	D41013400	11	Nut	
15	D20400469	5	Washer	
16	D40402400	5	Screw Metric	
17	D28250926	1	Guard	(U2)
18	D28250671	1	Guard	(U2)
	D28250687	1	Guard	(T7)
19	D20400426	10	Washer	
20	D41087700	14	Locknut	
21	D41989400	1	V Belt	F.39138
	D41989200	1	V Belt	T.39137
22	D28250866	1	Pulley	(2) F.911160
22	D28250718	1	Pulley	(2) T.911159
23	D28250680	1	Pulley	
24	D27700244	1	Spacer	
25	D43104900	1	Key	
26	D28250841	1	Countershaft	12' 12' -3,72 M
26	D28250679	1	Countershaft	14' -4,34 M
27	D41707300	2	Bearing	
28	D28251518	1	Bracket	
29	D40411400	4	Screw Metric	
30	D40405000	2	Screw Metric	
31	D20400409	2	Washer	
32	D41013500	2	Nut	
33	D28250842	1	Stay	(U2)
34	D28250918	1	Stay	(T7)
35	D28250922	1	Bracket	(T7) Left Hand
36	D28250919	2	Bracket	
37	D28250923	1	Bracket	(U2) Left Hand
38	D20400404		Washer	
39	D40402400		Screw Metric	
40	D28250435	1	Bracket	
41	D41013400	4	Nut	
42	D42555500	2	Circlip	
43	D28250459	1	Guard	
44	D43427200	2	Pin	
45	D28251577	1	Cover	(S9) F.916692
46	D43427200	2	Pin	F.916692
47	D42555500	2	Circlip	F.916692
48	D28250286	1	Guard	(S9) F.916692
49	D28250284	1	Bracket	
50	D28250434	1	Guard	

GUARDING AND REDUCING EQUIPMENT

Item	Part Number	Qty	Description	Comments
51	D28251722	1	Support	
52	D40411200	3	Setscrew	
				(R8)
				FOR TABLES WITH DOUBLE BELT
				(R9)
				FOR TABLES WITH SINGLE BELT
				(S9)
				14'
				(T7)
				14'
				(U2)
				12'
				(2)
				NO. REFERS TO TABLE NUMBER



WEARING PLATES AND STONE STOP

Item	Part Number	Qty	Description	Comments
1	D28250593	1	Stop	12' POS. 2 - 3
1	D28250594	1	Stop	14' POS. 2 - 3
2	D40551600	3	Bolt	
3	D20400471	3	Washer	
4	D28250180	1	Guard	Right Hand
5	D28250178	1	Plate	
6	D28250179	1	Guard	Left Hand
7	D40402400	25	Screw Metric	
8	D20400404	25	Washer	
9	D28250186	1	Housing	
	D28250187	1	Housing	
10	D28250885	1	Plate	
11	D28250886	1	Plate	
12	D40402400	17	Screw Metric	(U2)
13	D20400404	34	Washer	(T7)
14	D41013400	25	Nut	
15	D40405000		Screw Metric	
16	D20400409		Washer	
17	D28250020	1	Stripper	12' -3,72 M Right Hand
17	D28230182	1	Stripper	14' -4,34 M
18	D28230011	1	Bar	14'
	D28250017	1	Bar	12'
19	D28250021	1	Stripper	(U2) Left Hand
19	D28230183	1	Stripper	(T7) Left Hand
20	D40423700		HEXAGON SCREW	
21	D20400409		Washer	
22	D41087500		Locknut	
23	D28250367	1	Wearplate	Left Hand
24	D28250369	2	Wearplate	4' 12' -3,72 M
24	D28250368	2	Wearplate	3' 14' -4,34 M
24	D28250369	1	Wearplate	4' 14' -4,34 M
25	D28250366	1	Wearplate	Right Hand
26	D20400471		Washer	
27	D40407800		HEXAGON SCREW	
28	D28250838		Wearplate	
29	D28251573	1	Retainer	(S3) F.916282
30	D20400409	4	Washer	(S3) F.916282
31	D40404900	4	Screw Metric	(S3) F.916282
32	D41013500	4	Nut	(S3) F.916282 (S3) 12' AND 14' (T7) 14' (U2) 12'

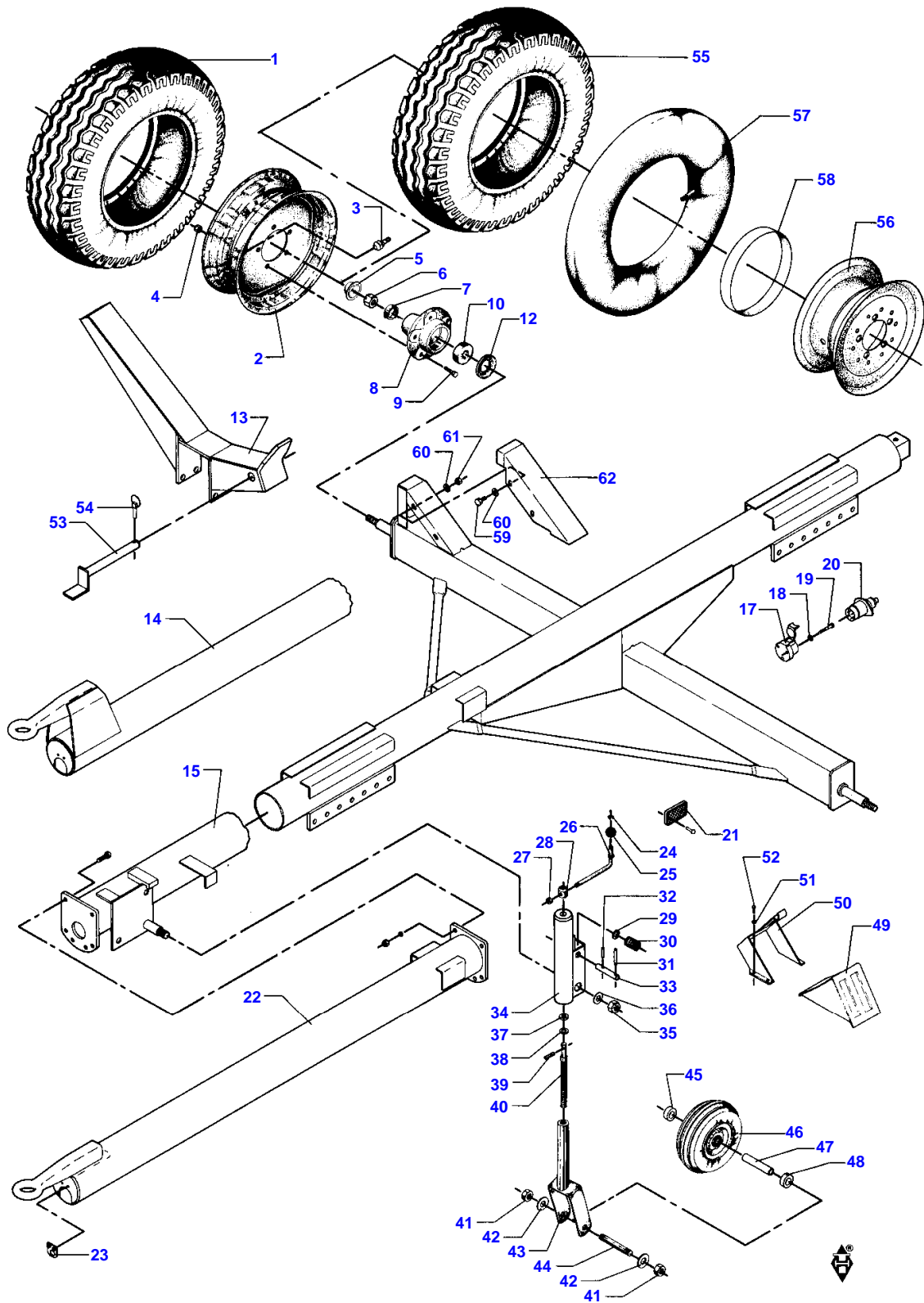
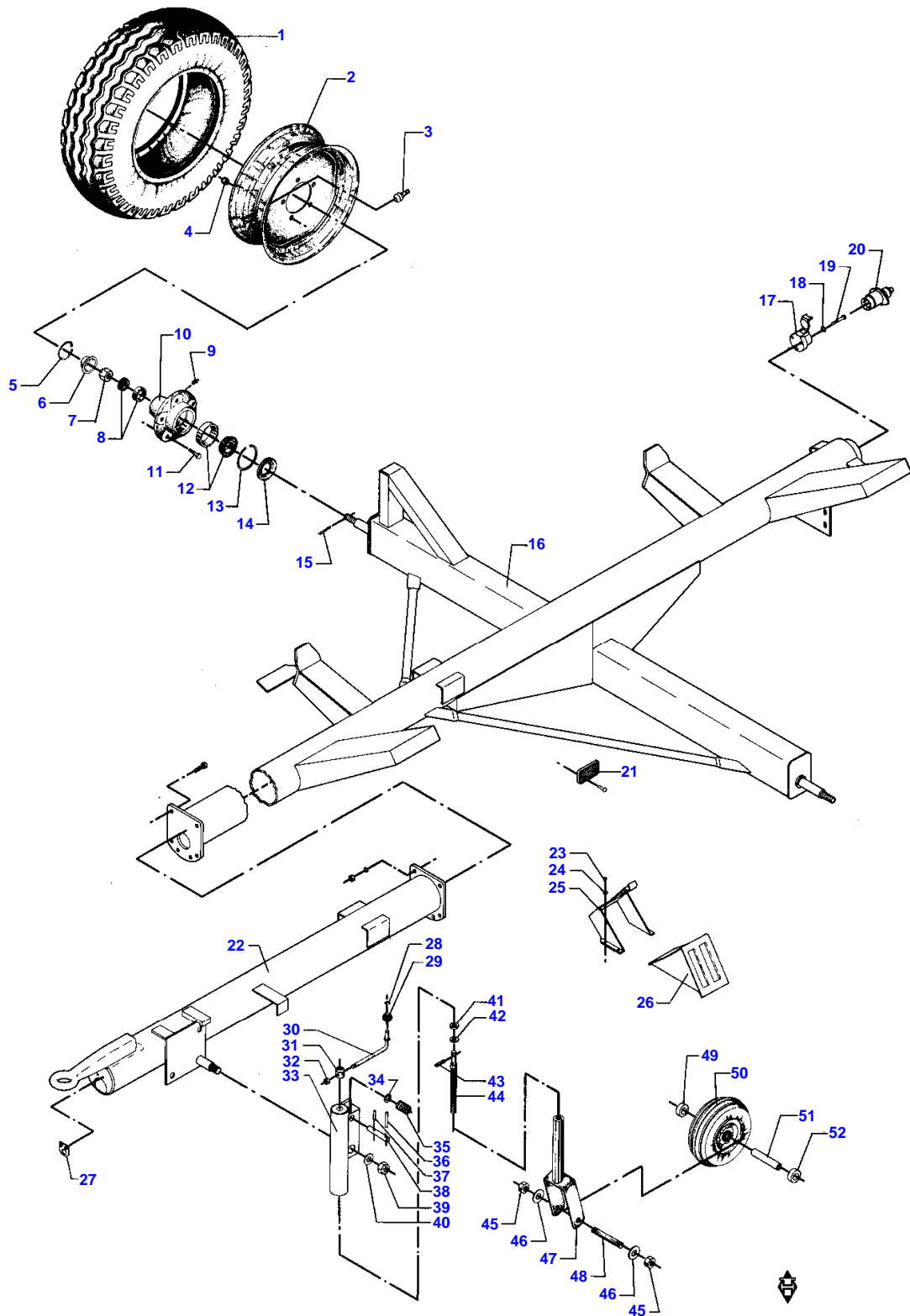


TABLE TRAILER 1

Item	Part Number	Qty	Description	Comments
	D28251103	2	Wheel	(E7) POS. 1 - 3
1	D46704100	2	Tyre	
2	D28251102	2	Rim	
3	D46737200	2	Valve	
4	D41021600	10	Nut	
5	D46723900	2	Cap	
6	D41087900	2	Locknut	
7	D41620900	2	Bearing Ball	
8	D46724000	2	Hub	
9	D40438200	10	Bolt	
10	D41623000	1	Bearing Ball	
12	D41582400	2	Washer	
13	D28251096	2	Bracket	
14	D28251628	1	Table	(45)
15	D28251829	1	Table	
17	D45005200	1	Socket	
18	D20400400	3	Washer	
19	D40351600	3	Screw Metric	
20	D45005300	1	Socket	
21	D45084600	6	Reflector	
22	D28251110	1	Bar	
23	D28250748	1	Support	
24	D20400466	1	Washer	
25	D28200609	1	Ball	
26	D28250327	1	Lever	
27	D41087700	1	Locknut	
28	D28250356	1	Hub	
29	D20400441	1	Washer	
30	D28700136	1	Spring	
31	D42616700	1	TIGHENING PIN	
32	D41410800	1	SPLIT PIN	
33	D28250355	1	Pin	
34	D28251079	1	Pipe	
35	D41088100	1	Locknut	
36	D20400437	1	Washer	
37	D41597100	1	Bearing	
39	D42612000	1	TIGHENING PIN	
40	D28250337	1	Spindle	
41	D41011100	2	Nut	
42	D20400459	2	Washer	
43	D28250340	1	Pipe	
44	D28250315	1	Shaft	
45	D28250305	1	Spacer	
46	D46721700	1	Wheel	
47	D28250317	1	Bush	
48	D28250305	1	Spacer	
49	D45907200	2	Wedge	
50	D45907300	2	Holder	
51	D20400401	8	Washer	
52	D40741200	8	Screw	
53	D28250759	2	Pin	
54	D41446200	2	Pin	
	D28251112	2	Wheel	(E8) POS. 55 - 58
55	D46705600	2	Tyre	
56	D28251111	2	Rim	
57	D46708800	2	Tube	
58	D46737500	2	Band	
59	D40410900	4	Screw	
60	D20400426	8	Washer	
61	D41010900	4	Nut Metric	
62	D28251643	1	Plate	(E7) (E7) 7.00 X 12 (E8) 6.00E X 9 (45)

ONLY FOR GERMANY, SCHWITZERLAND, AUSTRIA AND HOLLAND



Thank you very much for your reading. Please Click Here. Then Get COMPLETE MANUAL. NO WAITING



NOTE:

If there is no response to click on the link above, please download the PDF document first and then click on it.

TABLE TRAILER 2

Item	Part Number	Qty	Description	Comments
	D28250792	1	Wheel And Tyre	POS. 1 - 3
1	D46704100	1	Tyre	
2	D28100264	1	Rim	
3	D46737200	1	Valve	
4	D28100259	10	Nut	
5	D20300462	2	Spring	
6	D27100711	2	Cap	
7	D41053100	2	Castle Nut	
8	D41661100	2	Bearing Roller	
9	D43001500	2	Greaser	
10	D28100254	2	Hub	
11	D40445100	10	Setscrew	
12	D41661400	2	Bearing Roller	
13	D28100258	2	Seal	
14	D28100255	2	Retainer	
15	D41410900	2	SPLIT PIN	
16	D28250785	1	Trailer	
17	D45005200	3	Socket	
18	D20400400	3	Washer	
19	D40351600	3	Screw Metric	
20	D45005300	1	Socket	
21	D45084600	6	Reflector	
22	D28250775	1	Extension	
23	D40741200	8	Screw	
24	D20400401	8	Washer	
25	D45907300	2	Holder	
26	D45907200	2	Wedge	
27	D28250748	1	Support	
28	D20400466	1	Washer	
29	D28200609	1	Ball	
30	D28250327	1	Lever	
31	D28250356	1	Hub	
32	D41087700	1	Locknut	
33	D28250350	1	Pipe	
34	D20400441	1	Washer	
35	D28700136	1	Spring	
36	D42616700	1	TIGHENING PIN	
37	D41410800	1	SPLIT PIN	
38	D28250355	1	Pin	
39	D41088100	1	Locknut	
40	D20400437	1	Washer	
41	D41597100	1	Bearing	
43	D42612000	1	TIGHENING PIN	
44	D28250337	1	Spindle	
45	D41011100	2	Nut	
46	D20400459	2	Washer	
47	D28250340	1	Pipe	
48	D28250315	1	Shaft	
49	D28250305	1	Spacer	
50	D46721700	1	Wheel	
51	D28250317	1	Bush	
52	D28250305	1	Spacer	

