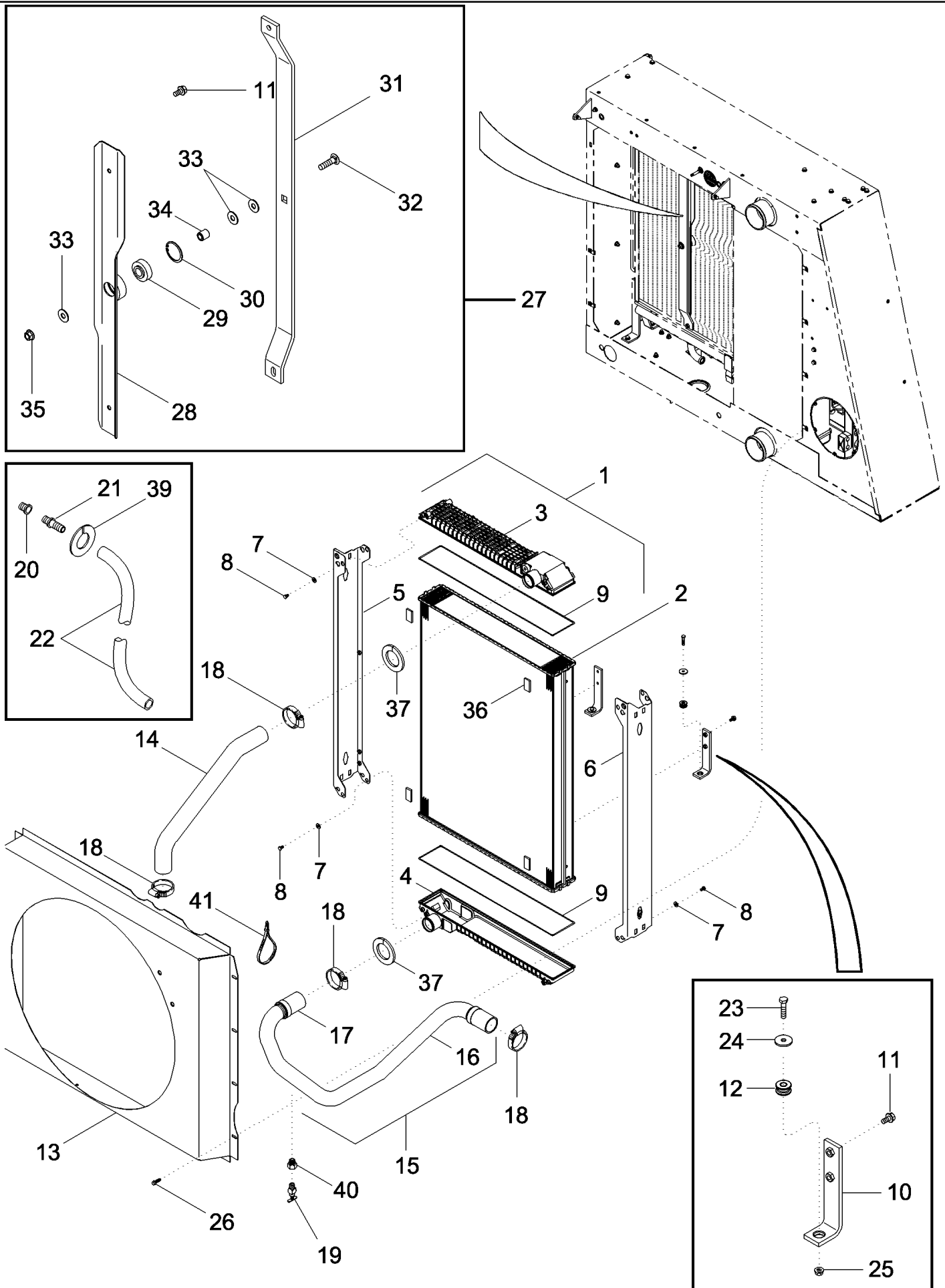


Каталог Запчастей



CASE 2388

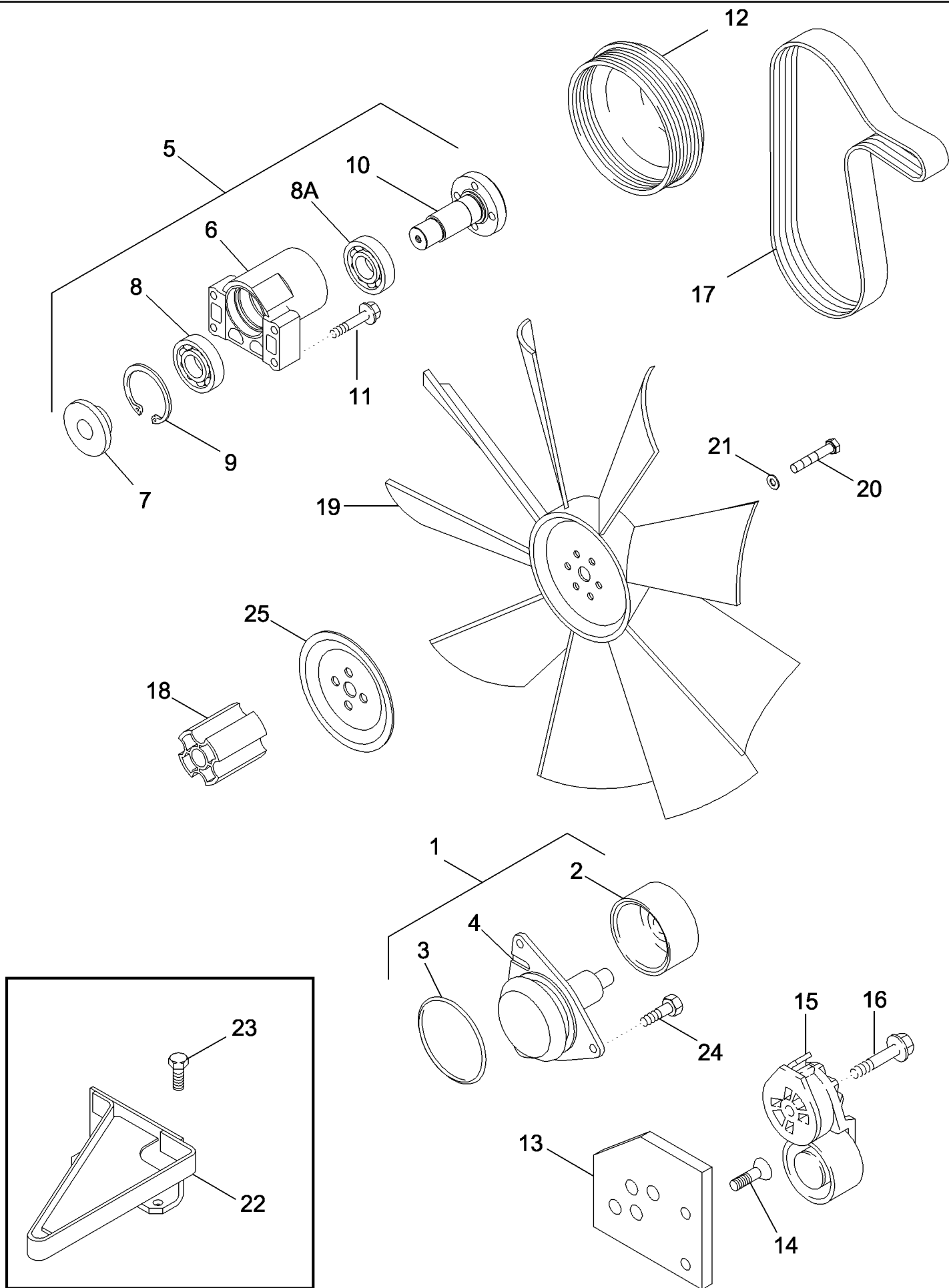
02-01 RADIATOR - FAN SHROUD



02-01 RADIATOR - FAN SHROUD

Ref	Part Number	Qty	Description
1	87302088	1	RADIATOR, Inc. 2 - 9
2	NSS	1	NOT SERVICED SEPARATELY, Core, Radiator
3	87302093	1	TANK, Radiator Top
4	87302094	1	TANK, Radiator Lower
5	87302091	1	CHANNEL, Left Hand
6	87302090	1	CHANNEL, Right Hand
7	895-15008	8	WASHER, M8 x 20 x 1.6,
8	614-8012	8	BOLT, Hex, M8 x 12, 8.8, Full Thd,
9	87302092	2	SEAL,
10	411572A1	2	BRACKET, Radiator Isomount
11	844-8016	4	BOLT, Hex Flg, M8 x 16, 8.8,
12	434177A1	2	ISOLATOR,
13	87314685	1	SHROUD, Fan
14	87304647	1	HOSE,
15	87343294	1	TUBE, Inc. 16, 17
16	NSS	1	NOT SERVICED SEPARATELY, Tube
17	87343293	1	HOSE, Radiator 2-1/4 ID
18	214-3248	4	CLAMP, HOSE, 2.25/3.125 HD Worm, W/liner,
19	86982771	1	VALVE, Drain Cock
20	217-1034	1	REDUCER, 1/4"-18 Male NPTF x 1/8"-27 Female NPTF,
21	241173A1	1	FITTING, 1/8 PT x 5/16 Hose
22	87408617	1	HOSE, Radiator Drain, Cut 4850 mm (191 in) From Bulk Hose 86989959
23	614-8035	2	BOLT, Hex, M8 x 35, 8.8,
24	495-81120	2	WASHER, .344" x 1 1/4" x .120",
25	825-5148	2	NUT, M8, Flg Ser,
26	1327545C1	8	SCREW, 5/16
27	87432132	1	FAN, Assy, Radiator, Inc. 28 -35
28	87432607	1	BLADE, Cooler Wiper
29	149261C91	1	BEARING, BALL,
30	100-21156	1	RING, SNAP, 1.562", Int, #156,
31	87432400	1	SUPPORT,
32	433-624	1	BOLT, CARRIAGE, Short NK, 3/8"-16 x 1 1/2", G5,
33	495-61041	3	WASHER, 3/8" x 1" x .063",
34	87404683	1	BUSHING,
35	231-5146	1	NUT, Flg, USR, 3/8"-16,
36	87420912	4	SEAL,
37	NS	2	NOT SERVICED, SEAL Cut 340 mm (13-3/8 in) From 1319664C3
38	NS	4	NOT SERVICED, SEAL Cut 70 mm (2-3/4 in) From 1319664C3
39	NS	1	NOT SERVICED, SEAL Cut 217 mm (8-1/2 in) From 1319664C3
40	221-1092	1	REDUCER, Hex, 3/4" x 3/8" NPT,
41	306132C1	3	STRAP, CABLE, .30" x 14.5",

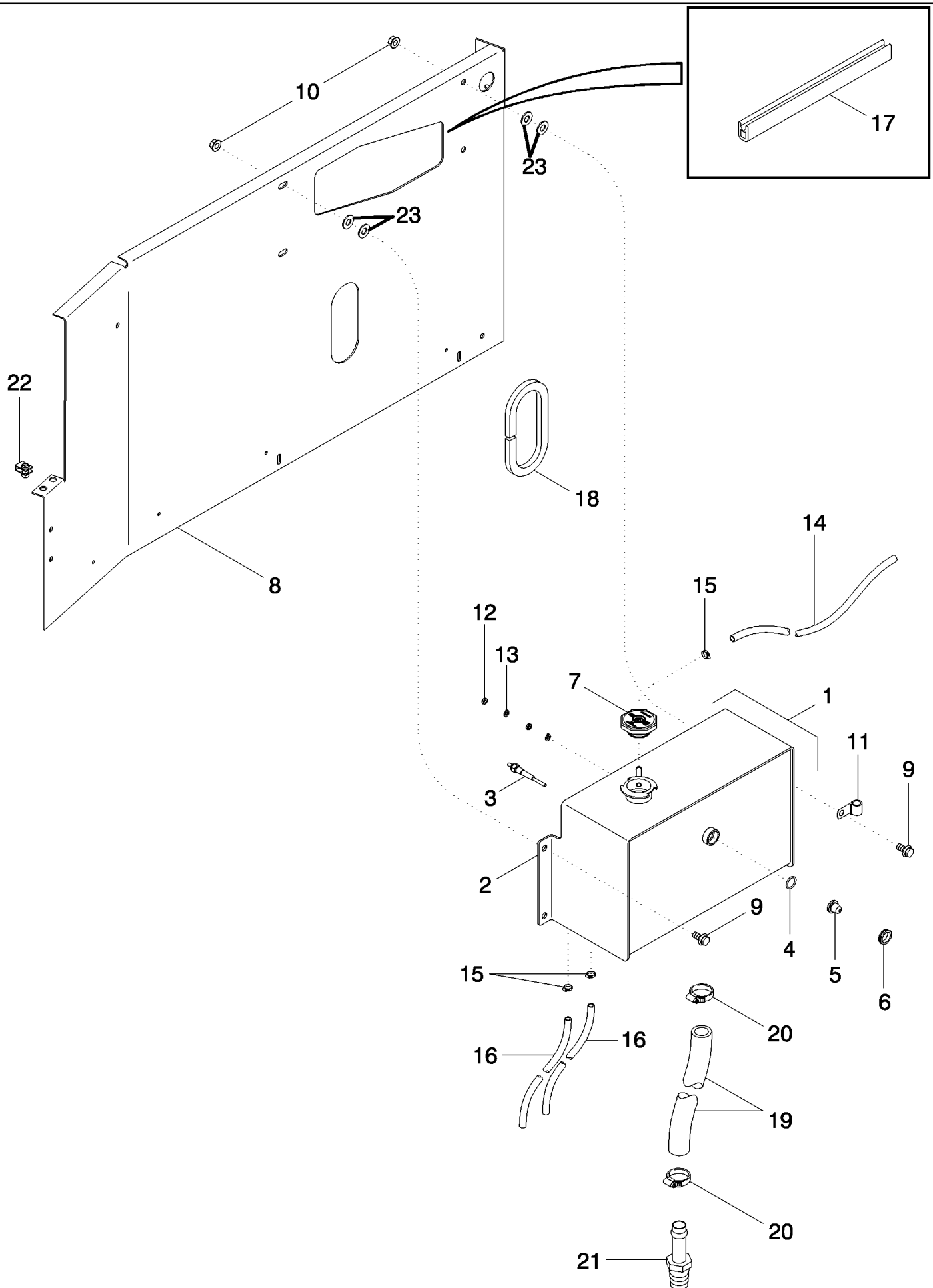
02-02 WATER PUMP SYSTEM



02-02 WATER PUMP SYSTEM

Ref	Part Number	Qty	Description
1	J804927	1	PUMP, WATER, Inc. 2 - 4
2	NSS	1	NOT SERVICED SEPARATELY, Pulley
3	238-5244	1	O-RING, -244, 70 Duro, 4.234" ID x .139" Thk,
4	NSS	1	NOT SERVICED SEPARATELY, Pump
5	87408931	1	SUPPORT, Fan, Inc. 6 - 10
6	NSS	1	NOT SERVICED SEPARATELY, Hub
7	NSS	1	NOT SERVICED SEPARATELY, Retainer
8	NSS	1	NOT SERVICED SEPARATELY, Bearing, Ball
8A	NSS	1	NOT SERVICED SEPARATELY, Bearing, Ball
9	NSS	1	NOT SERVICED SEPARATELY, Snap Ring
10	NSS	1	NOT SERVICED SEPARATELY, Hub
11	845-8050	4	BOLT, Hex Flg, M8 x 50, 8.8,
12	J926854	1	PULLEY,
13	J925211	1	BRACKET,
14	845-8025	2	BOLT, Hex Flg, M8 x 25, 8.8,
15	87317615	1	TENSIONER, BELT,
16	J282433	1	BOLT, M10 x 85
17	A78022	1	BELT,
18	A184751	1	SPACER, 75 mm
19	87313617	1	FAN, Corn, Grain and Rice, 9 Blade
20	814-10105	4	BOLT, Hex, M10 x 105, 8.8,
21	896-15010	4	WASHER, M10 x 24.5 x 3, HT,
22	87411538	1	GUIDE, Engine Fan Belt
23	857-10020	2	BOLT, Hex Flg, M10 x 20, 10.9,
24	J934054	3	BOLT, M8 x 28
25	87573769	1	SHIELD, SPLASH, Fan Hub, ASN HAJ301749

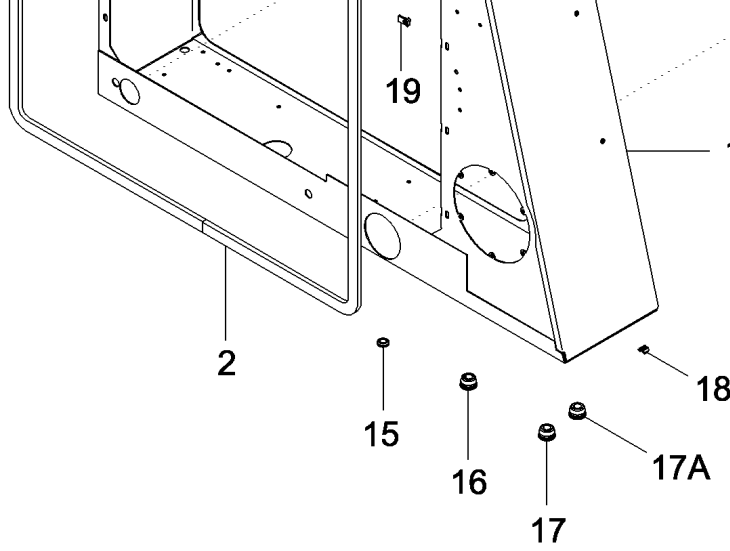
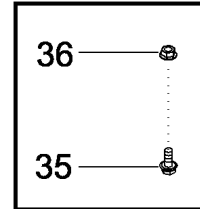
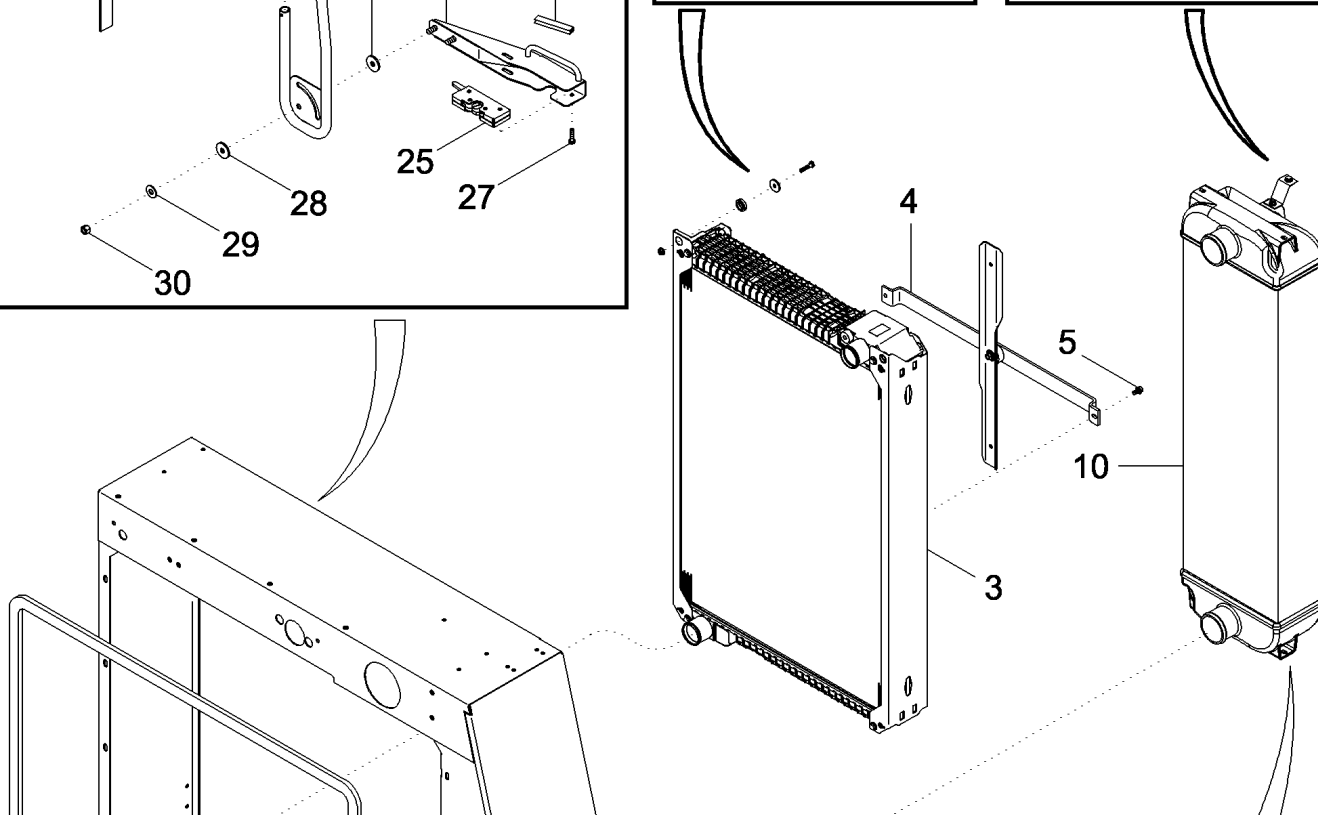
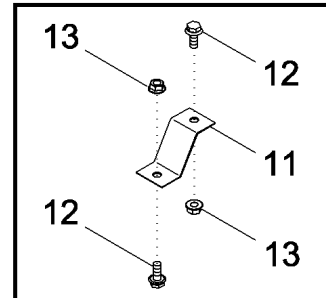
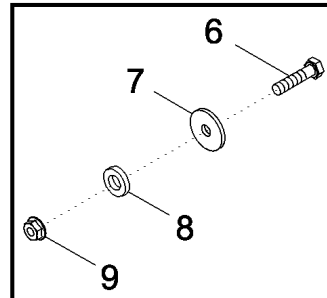
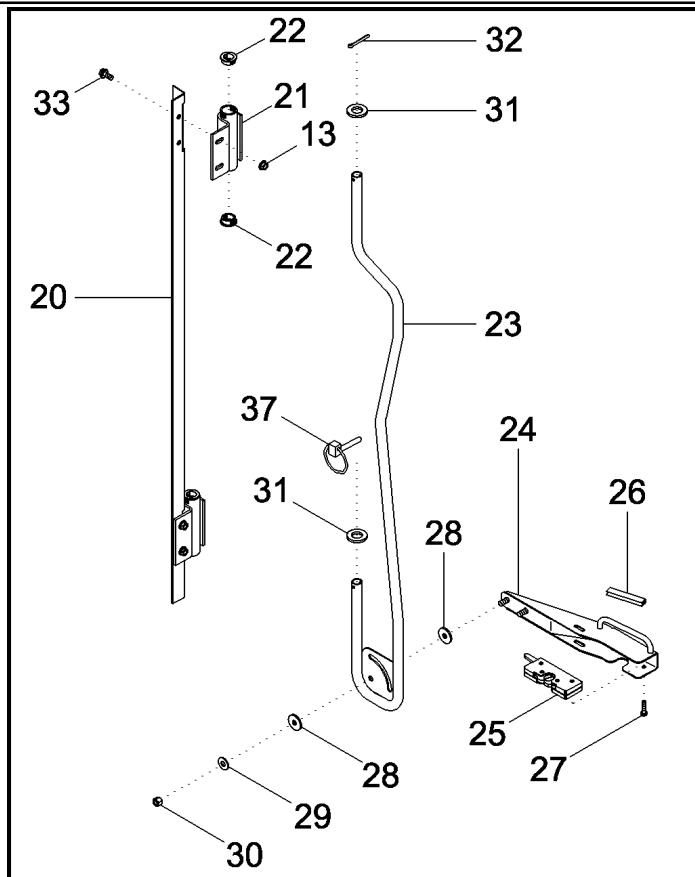
02-03 DEAERATION SYSTEM



02-03 DEAERATION SYSTEM

Ref	Part Number	Qty	Description
1	87403849	1	TANK, Deaeration Assy, Inc. 2 - 7
2	87403850	1	TANK, Deaeration
3	279476A1	1	SENSOR, Coolant Probe
4	238-6115	1	O-RING, -115, 90 Duro, .674" ID x .103" Thk,
5	86990536	1	LENS, Sight
6	86990537	1	NUT, Lens Retainer
7	87109814	1	CAP, FILLER, Deaeration Tank
8	87529011	1	BRACKET, Rear
8	87306892	1	SHEET, W/Rivet Nuts
9	409-7616	4	BOLT, Hex Flg, 3/8"-16 x 1", Serr,
10	231-5146	4	NUT, Flg, USR, 3/8"-16,
11	516-23127	1	CLAMP, J, 9/16" Insul, 3/8" Bolt,
12	225-14210	2	NUT, #10-32,
13	492-11010	2	WASHER, LOCK, #10,
14	87408617	1	HOSE, 4850 mm (191 in), Cut From 86989959
15	214-1704	3	CLAMP, HOSE, #4, 0.25/0.62 Type M Worm,
16	86989649	2	HOSE, FLEXIBLE, Deaeration, Cut 960 mm (35-3/8") from Bulk Hose 86989959
17	87029779	2	SEAL, Cut 287 mm (11-1/3 in) From 196707C1
18	87063C3	1	SEAL, Cut 406 mm (16 in) from 196707C1
19	NS	1	NOT SERVICED, HOSE Deaeration Supply, Cut 1005 mm (39.6 in) From Bulk Hose 87308561
20	214-1516	2	CLAMP, HOSE, #16, .81/1.50 Type F Worm, W/liner,
21	217-375	1	FITTING, 1" Hose X 3/4" NPTF Beaded,
22	488837C1	2	NUT, Speed, 5/16
23	87613214	8	

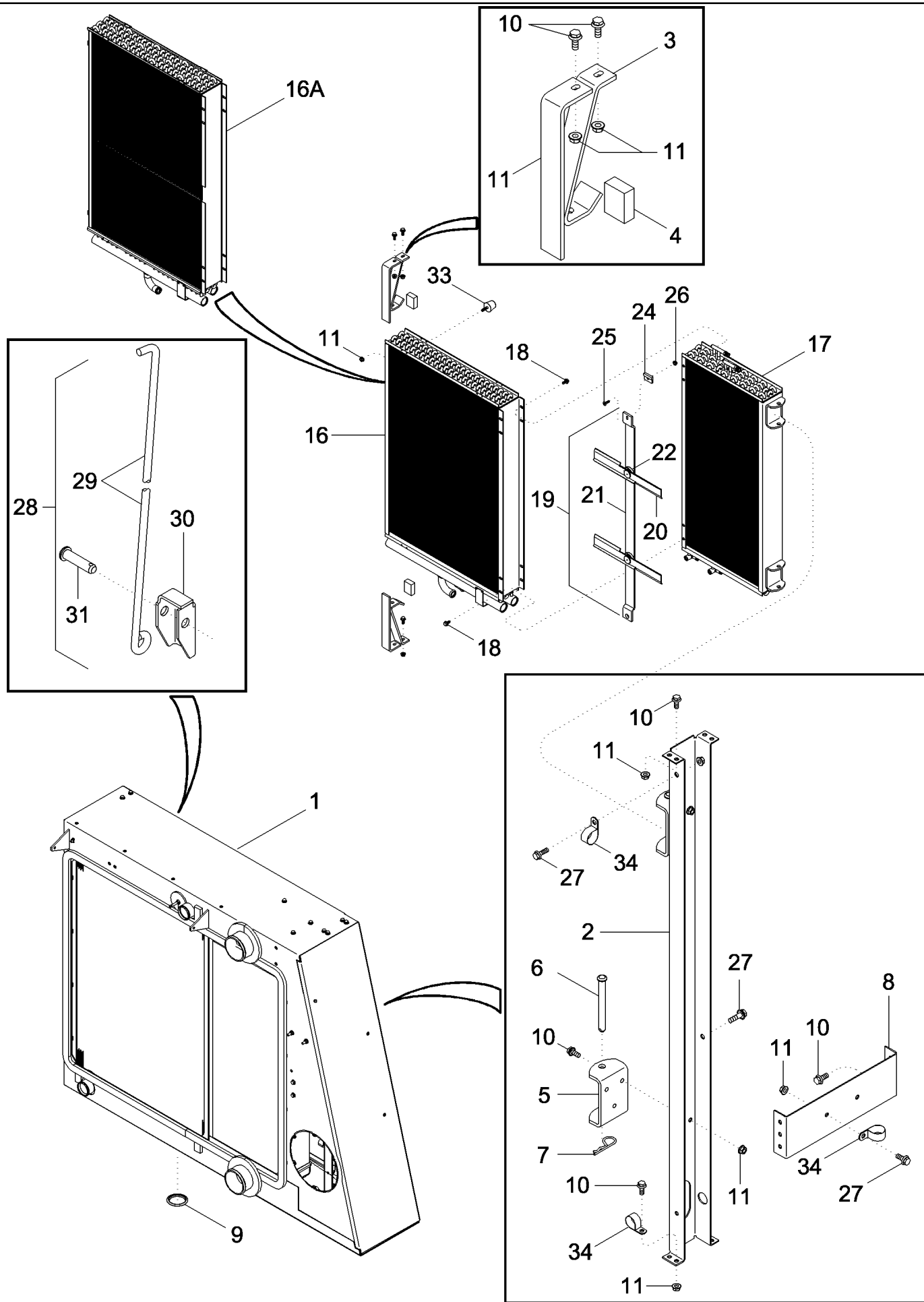
02-04 COOLER BOX ASSY



02-04 COOLER BOX ASSY

Ref	Part Number	Qty	Description
1	87343320	1	BOX, Cooler Box
2	87432788	1	SEAL, DOOR□□,
3	87302088	1	RADIATOR, , See Figure 02-01
4	87432132	1	FAN, Radiator, See Figure 02-01
5	844-8016	6	BOLT, Hex Flg, M8 x 16, 8.8,
6	614-8035	4	BOLT, Hex, M8 x 35, 8.8,
7	495-81120	4	WASHER, .344" x 1 1/4" x .120",
8	86625263	4	WASHER, M8 x 20 x 1.6,
9	86629542	4	NUT, LOCK, M8 x 1.25, CI 8,
10	438250A2	1	COOLER, Charge Air
11	413012A1	1	BRACKET,
12	409-7512	4	BOLT, Hex Flg, 5/16"-18 x 3/4", Serr,
13	231-5145	8	NUT, Flg, USR, 5/16"-18,
15	248-2146	2	GROMMET, 5/8" ID x 7/8" Groove Dia,
16	87107420	1	GROMMET,
17	86976974	1	GROMMET,
17A	87423314	2	GROMMET, 1-1/2" ID
18	131-137	2	NUT, Ret, 5/16"-18,
19	410009A1	8	NUT, 5/16
20	87414310	1	HINGE,
21	450736A1	2	LATCH, Right Hand Trim Door
22	353-478	4	PLUG,
23	87521389	1	TUBE ASSY., Right Hand Rear Latch
24	87413880	1	HOUSING, Door Latch
25	141224A1	1	LATCH,
26	87435C1	1	MOLDING,
27	413-416	2	BOLT, Hex, 1/4"-20 x 1", G5,
28	403388A1	4	WASHER, SPECIAL, 3/8 x 1-1/4 x 1/8
29	495-61041	2	WASHER, 3/8" x 1" x .063",
30	231-4246	2	NUT, LOCK, 3/8"-16, GB,
31	496-21081	2	WASHER, 13/16" x 1 1/2" x .179", HDN,
32	432-1224	1	PIN, SPLIT (COTTER), 3/16" x 1 1/2",
33	409-7516	12	BOLT, Hex Flg, 5/16"-18 x 1", Serr,
34	410009A1	8	NUT, Retainer 5/16, Bolt Pushon, (Not Shown)
35	409-7612	2	BOLT, Hex Flg, 3/8"-16 x 3/4", Serr,
36	231-5146	2	NUT, Flg, USR, 3/8"-16,
37	A33497	1	PIN, LINCH,

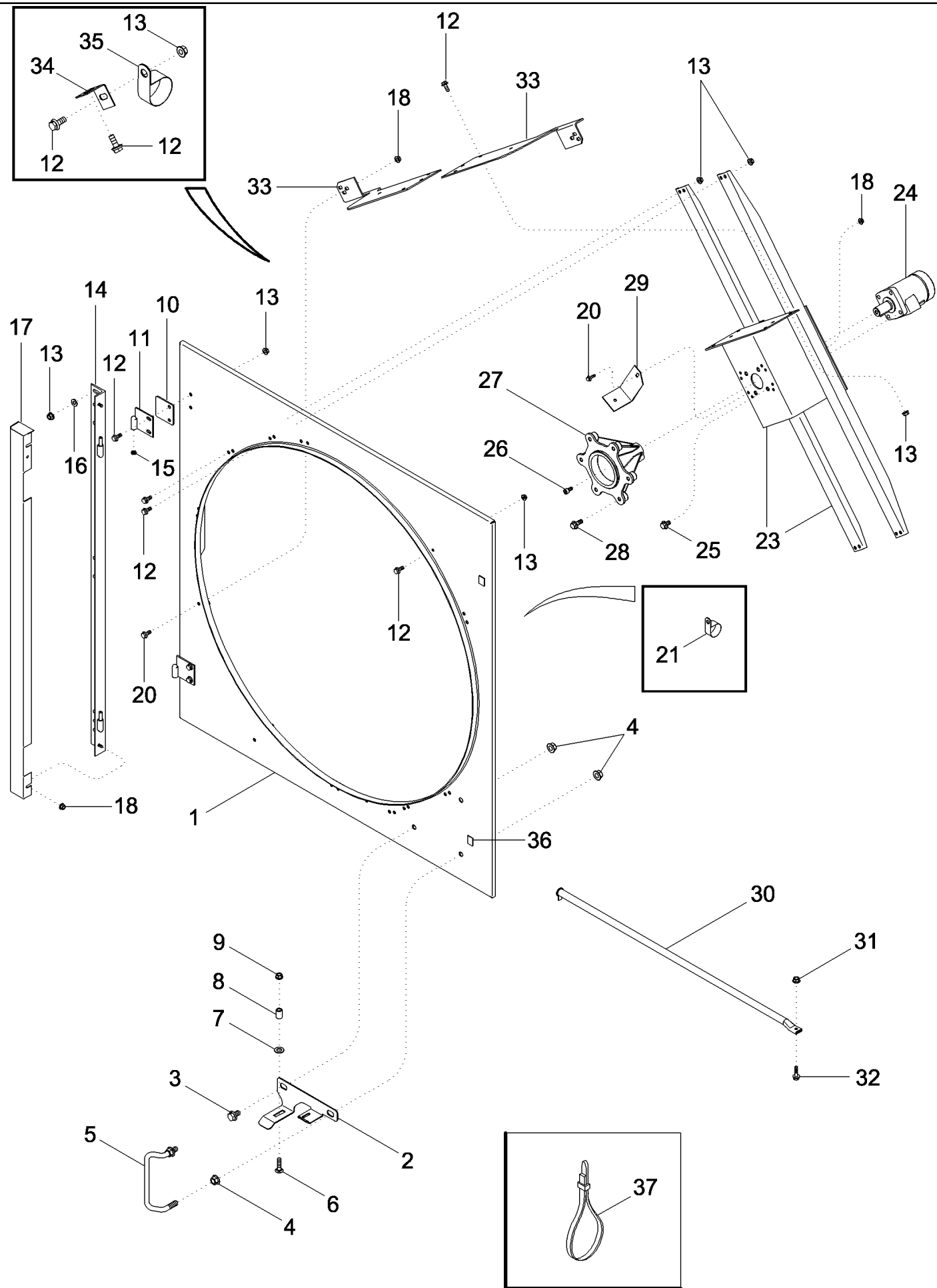
02-05 COOLER BOX ASSY



02-05 COOLER BOX ASSY

Ref	Part Number	Qty	Description
1	87343320	1	BOX, Cooler Box
2	87429529	1	BRACKET,
3	87423364	2	SUPPORT,
4	187884C1	2	SEAL, Cut 2 Inches From 187885C1
5	87429534	2	CHANNEL,
6	439-5880	2	PIN, HEADED, 1/2" x 5",
7	480523R1	2	SPLIT PIN/SAFETY PIN,
8	86984095	1	BRACKET, Cross Brace
9	87000778	1	PLUG, Clean Out
10	409-7512	23	BOLT, Hex Flg, 5/16"-18 x 3/4", Serr,
11	231-5145	24	NUT, Flg, USR, 5/16"-18,
15	353-410	2	PLUG, Dome, .875" hole, Nylon,
16	444921A3	1	COOLER, OIL, , Corn, Grain and Rice Combine
16A	446343A3	1	COOLER, Oil, Rice Combine
17	444922A3	1	COOLER, Fuel/Condenser, Corn, Grain and Rice Combine
18	844-8012	8	BOLT, Hex Flg, M8 x 12, 8.8, Full Thd,
19	87341294	1	WIPER, Assy, Charge Air Cooler, Inc. 20 - 23
20	NSS	2	NOT SERVICED SEPARATELY, WIPER with Pin Assy
21	NSS	1	NOT SERVICED SEPARATELY, SUPPORT
22	414615A1	2	BEARING, BALL,
23	282857A1	2	DECAL, Connector Cover, (Not Shown)
24	87408871	2	CLAMP,
25	443-13116	1	SCREW, Cross Flat Hd, 5/16"-18 x 1",
26	231-5345	2	NUT, LOCK, Flg, 5/16"-18,
27	409-7516	3	BOLT, Hex Flg, 5/16"-18 x 1", Serr,
28	87413776	1	SUPPORT, Oil Cooler Prop, Inc. 29 - 32
29	87413775	1	ROD,
30	87413774	1	SUPPORT,
31	439-5832	1	PIN, HEADED, 1/2" x 2",
32	136-159	1	PIN, SPLIT (COTTER), Int, 3/16 x .080",
33	87109195	2	BUMPER,
34	515-25476	3	CLAMP, 1 7/8", Insul, 1/2" Bolt,

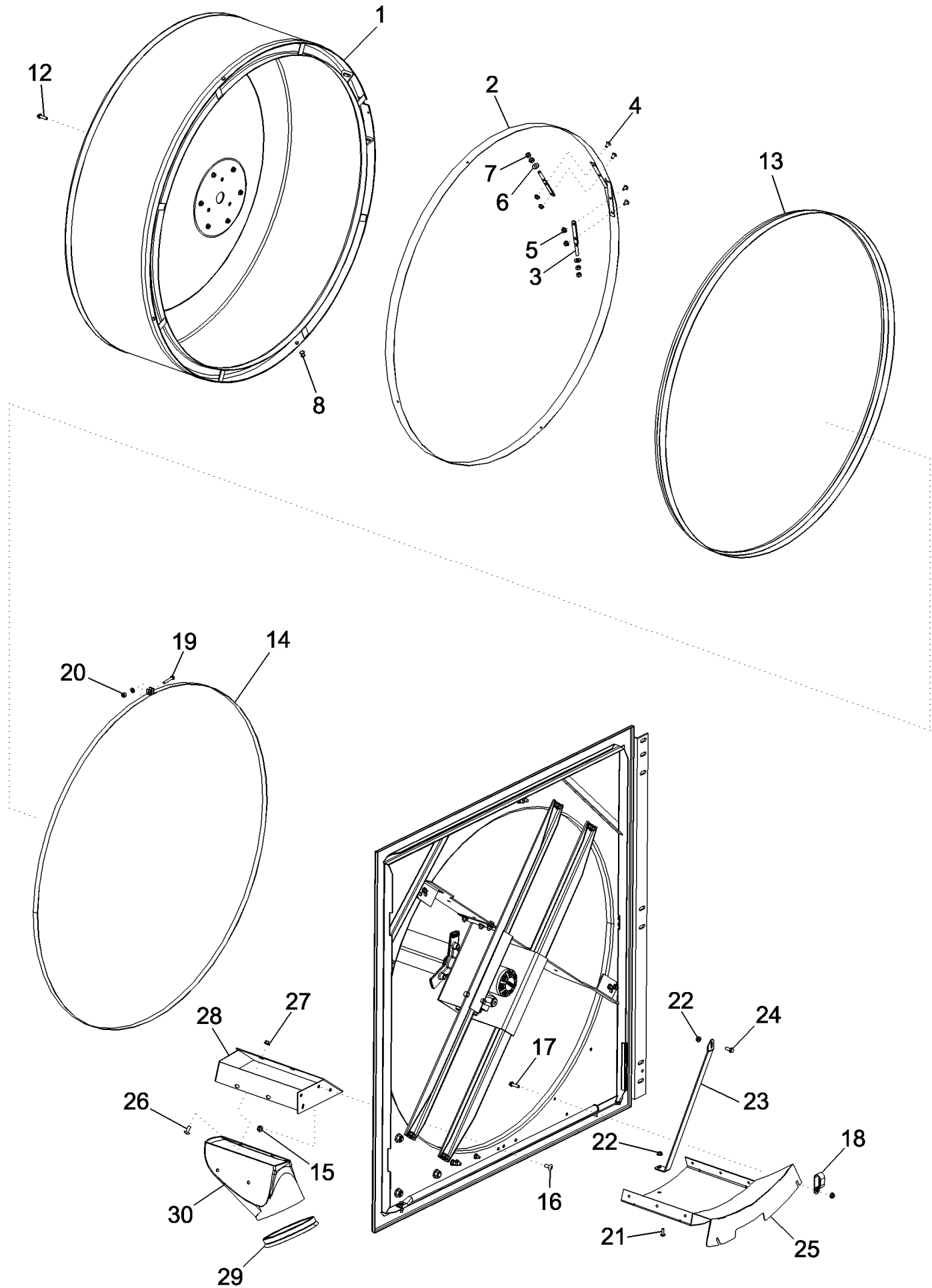
02-06 METAL DOOR ASSY - ROTARY AIR SCREEN



02-06 METAL DOOR ASSY - ROTARY AIR SCREEN

Ref	Part Number	Qty	Description
1	87386400	1	SHEET ASSY., Cooler Access
2	87413881	1	GUIDE, Door Latch
3	409-7812	1	BOLT, Hex Flg, 1/2"-13 x 3/4", Serr,
4	231-5148	5	NUT, Flg, USR, 1/2"-13,
5	1329715C1	1	HANDLE,
6	434-624	1	BOLT, CARRIAGE, Short NK, 3/8"-16 x 1 1/2", G5,
7	495-51053	1	WASHER, 1/2",
8	87036413	1	SPACER, 5/8" Pipe x 15/16",
9	231-5146	1	NUT, Flg, USR, 3/8"-16,
10	87430707	2	SPACER, Hinge
11	87417094	2	HINGE,
12	409-7512	28	BOLT, Hex Flg, 5/16"-18 x 3/4", Serr,
13	231-5145	36	NUT, Flg, USR, 5/16"-18,
14	87425804	1	HINGE,
15	86985597	2	WASHER, Special
16	495-81116	7	WASHER, .344" x 1" x .060",
17	87425802	1	COVER, Door Hinge
18	231-5144	1	NUT, Flg, USR, 1/4"-20,
20	409-7412	6	BOLT, Hex Flg, 1/4"-20 x 3/4", Serr,
21	485093C1	1	CLAMP,
23	87413830	1	SUPPORT,
24	86995688	1	MOTOR, HYDRAULIC, Metal Rotary Screen, See Figure 08-23, REF 1
25	87021006	4	BOLT, Hex Flg, M10 x 16, 10.9, Full Thd,
26	864-8016	1	SCREW, Hex Soc Hd, M8 x 16, 8.8,
27	412506A1	1	HUB, Rotary Air Screen
28	857-10025	3	BOLT, Hex Flg, M10 x 25, 10.9, Full Thd,
29	87385914	1	STRAP, Inner Blockoff
30	87413898	1	SUPPORT, Screen Door
31	409-7416	1	BOLT, Hex Flg, 1/4"-20 x 1", Serr,
32	231-4144	1	NUT, LOCK, 1/4"-20, GB,
33	87413927	2	SUPPORT,
34	1301560C2	1	STIFFENER, If Required
35	515-25476	1	CLAMP, 1 7/8", Insul, 1/2" Bolt, If Required
36	87521572	2	PAD,
37	306132C1	1	STRAP, CABLE, .30" x 14.5", 15 in

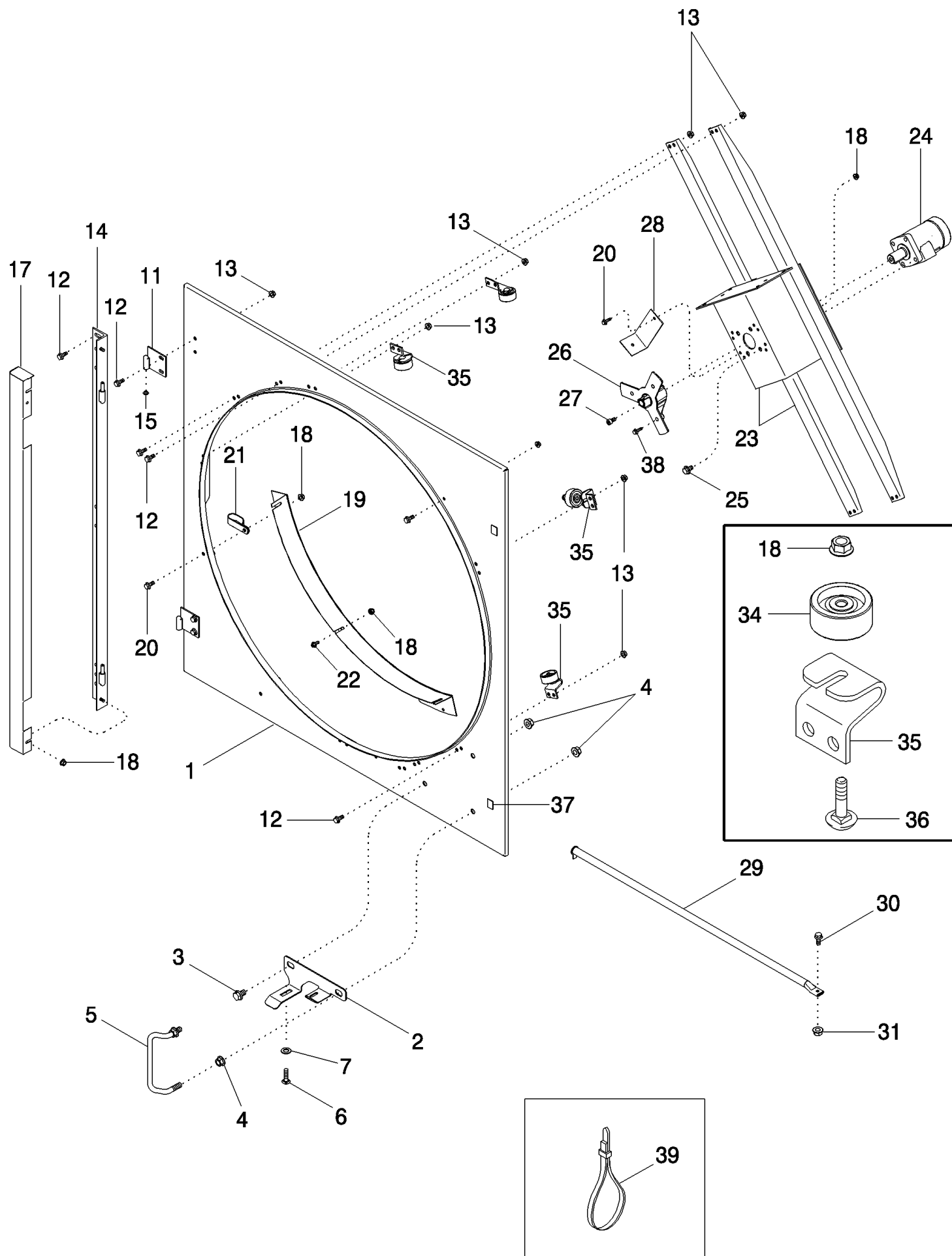
02-07 METAL ROTARY AIR SCREEN ASSY



02-07 METAL ROTARY AIR SCREEN ASSY

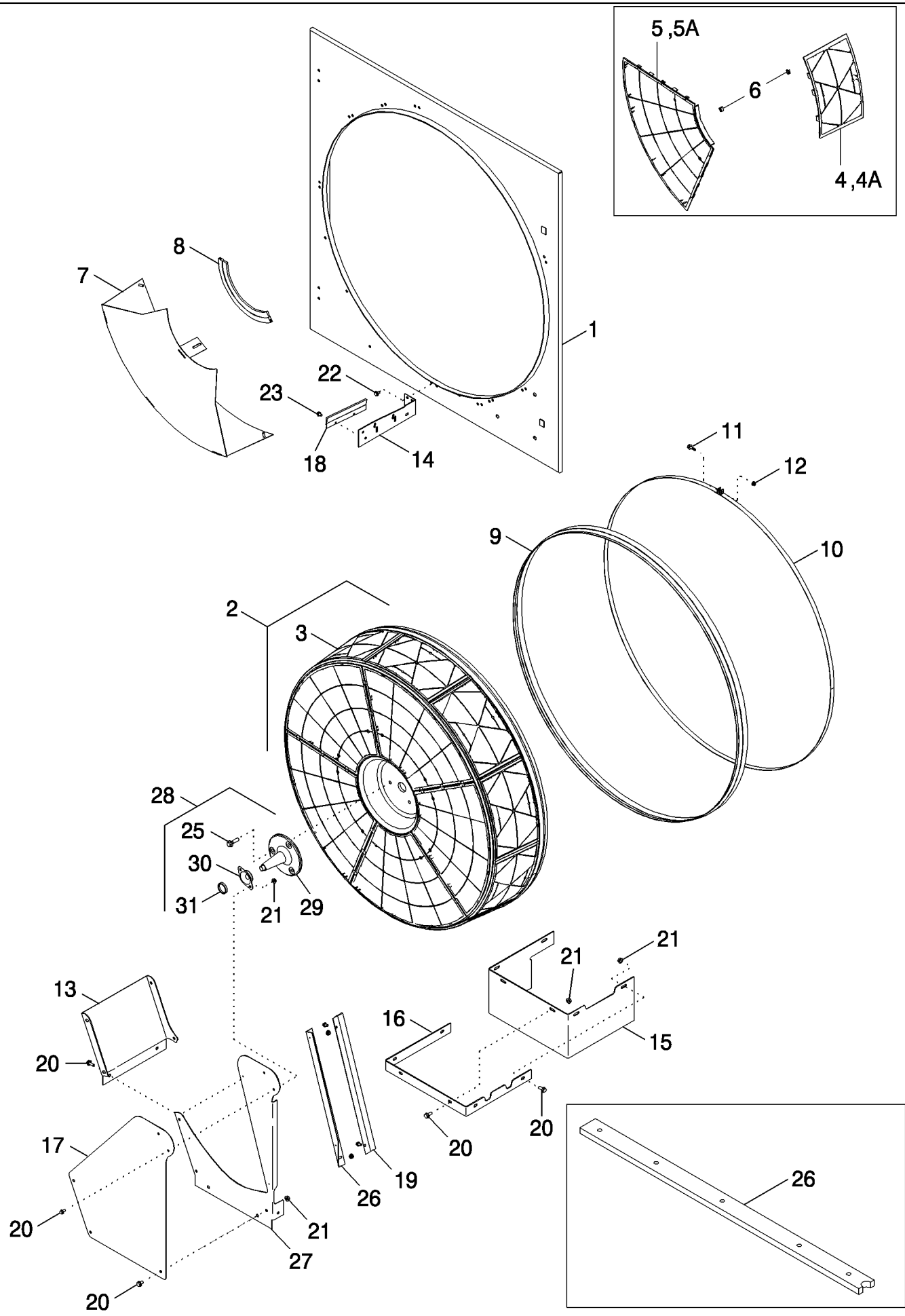
Ref	Part Number	Qty	Description
1	87361459	1	SCREEN,
2	87417475	1	BAND,
3	87413544	2	BOLT,
4	477-82508	4	SCREW, Sltd Serr Truss Hd, 1/4"-20 x 1/2",
5	231-5144	4	NUT, Flg, USR, 1/4"-20,
6	495-81114	2	WASHER, .344" x 3/4" x 060",
7	425-105	4	NUT, 5/16"-18, G5,
8	390747A1	3	RIVET,
9	87331483	1	DISC,
10	458-48	6	BOLT, Hex Flg, 1/4"-20 x 1/2", G5, Full Thd,
11	425-284	6	NUT, Flg, 1/4"-20.G5,
12	857-10025	3	BOLT, Hex Flg, M10 x 25, 10.9, Full Thd,
13	87429394	1	SEAL,
14	87420689	1	CLAMP,
15	231-5145	3	NUT, Flg, USR, 5/16"-18,
16	450-73112	3	SCREW, Cross Serr Truss Hd, 5/16"-18 x 3/4",
17	409-7416	1	BOLT, Hex Flg, 1/4"-20 x 1", Serr,
18	485093C1	1	CLAMP,
19	113-83	1	BOLT, Hex, 1/4"-20 x 1 1/2", G5, Full Thd,
20	231-1444	1	NUT, LOCK, 1/4"-20, GB,
21	450-82512	1	
22	231-5144	2	NUT, Flg, USR, 1/4"-20,
23	87385914	1	STRAP,
24	409-7412	1	BOLT, Hex Flg, 1/4"-20 x 3/4", Serr,
25	87351930	1	BRACKET,
26	450-73112	4	SCREW, Cross Serr Truss Hd, 5/16"-18 x 3/4",
27	231-5145	4	NUT, Flg, USR, 5/16"-18,
28	87385905	1	BRACKET,
29	87363448	1	SEAL, RUBBER,
30	87378423	1	NOZZLE,
31	87302735	1	KIT, REPAIR, Repair Kit, Inc. Wear Strip, Hardware and Instructions, (Not Shown)
32	1327979C1	1	MOLDING, Cut 15 mm (6 in) From 196707C1, (Not Shown)

02-08 PLASTIC DOOR ASSY - ROTARY AIR SCREEN



02-08 PLASTIC DOOR ASSY - ROTARY AIR SCREEN

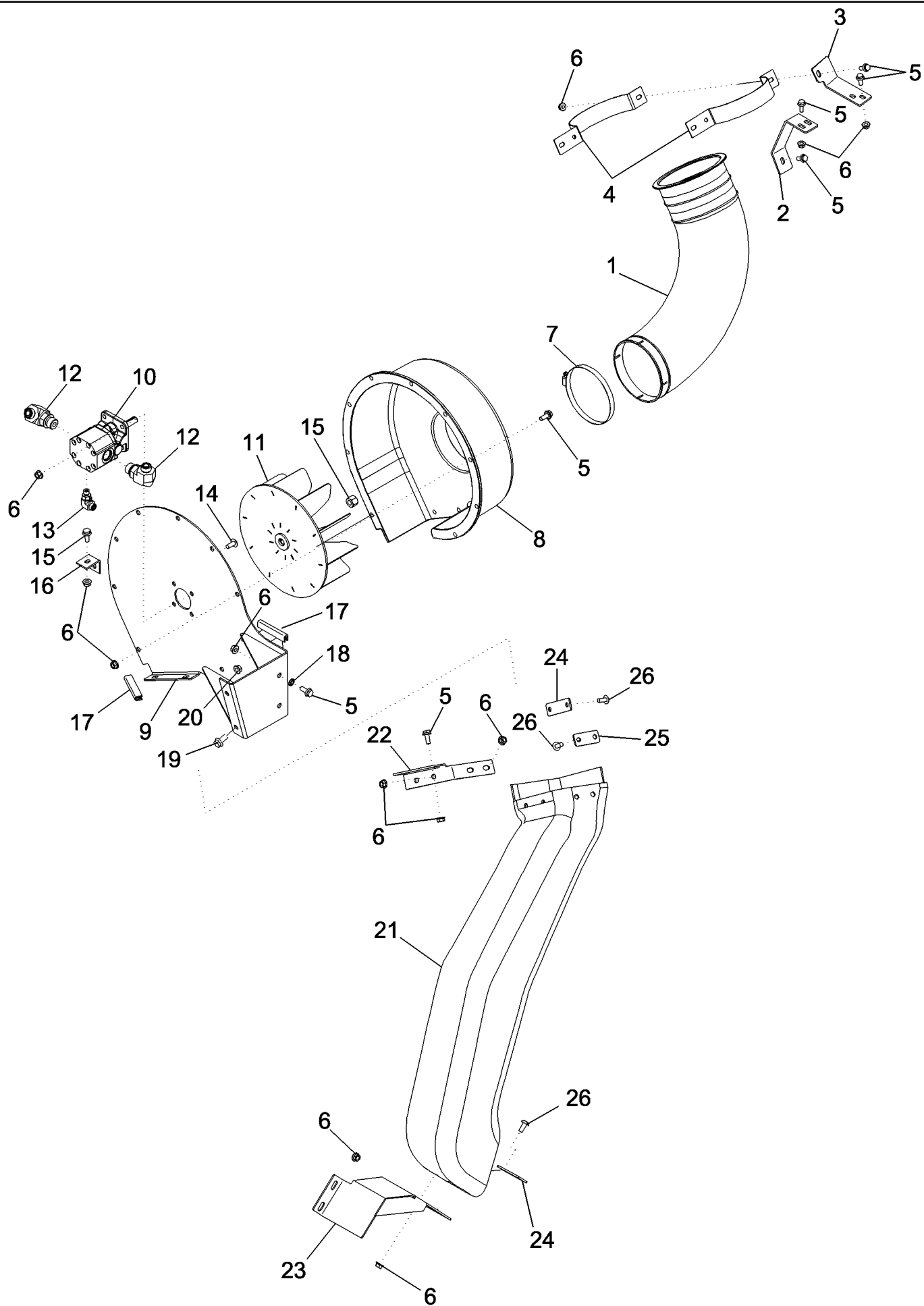
Ref	Part Number	Qty	Description
1	87386400	1	SHEET ASSY., Cooler Access
2	87413881	1	GUIDE, Door Latch
3	409-7812	1	BOLT, Hex Flg, 1/2"-13 x 3/4", Serr,
4	231-5148	5	NUT, Flg, USR, 1/2"-13,
5	1329715C1	1	HANDLE,
6	434-624	1	BOLT, CARRIAGE, Short NK, 3/8"-16 x 1 1/2", G5,
7	495-51053	1	WASHER, 1/2",
11	87417094	2	HINGE,
12	409-7512	36	BOLT, Hex Flg, 5/16"-18 x 3/4", Serr,
13	231-5145	33	NUT, Flg, USR, 5/16"-18,
14	87425804	1	HINGE,
15	86985597	2	WASHER, Special
17	87425802	1	COVER, Door Hinge
18	231-5144	22-23	NUT, Flg, USR, 1/4"-20,
19	87413896	1	BRACKET, Blockoff Assy
20	409-7412	5 - 6	BOLT, Hex Flg, 1/4"-20 x 3/4", Serr,
21	485093C1	1	CLAMP,
22	409-7416	1	BOLT, Hex Flg, 1/4"-20 x 1", Serr,
23	87413830	1	SUPPORT,
24	435624A1	1	MOTOR, HYDRAULIC, Rotary Screen, See Figure 08-23, REF 1, BSN HAJ301707
24	86995688	1	MOTOR, HYDRAULIC, Rotary Screen, See Figure 08-23, REF 1, ASN HAJ301707
25	87021006	4	BOLT, Hex Flg, M10 x 16, 10.9, Full Thd,
26	412506A1	1	HUB,
27	864-8016	1	SCREW, Hex Soc Hd, M8 x 16, 8.8,
28	87409347	1	SUPPORT, Inner Baffle
29	87413898	1	SUPPORT,
30	409-7416	1	BOLT, Hex Flg, 1/4"-20 x 1", Serr,
31	231-4144	1	NUT, LOCK, 1/4"-20, GB,
34	87408568	4	BEARING, BALL, Roller
35	444034A2	4	SUPPORT, Roller
36	411-416	4	BOLT, CARRIAGE, Short NK, 1/4"-20 x 1", G2,
37	87521572	2	PAD,
39	306132C1	1	STRAP, CABLE, .30" x 14.5", 15 in.
40	1327979C1	1	MOLDING, Trim, Cut 152 mm (6 in) From 196707C1
41	1954714C1	1	EDGE, (Not Shown)



02-09 PLASTIC ROTARY AIR SCREEN ASSY, WITH DIRT DROP BOX AND BRUSHES

Ref	Part Number	Qty	Description
1	REF	1	INSTRUCTION, DOOR ASSEMBLY, Cooler Access, See Figure 02-08
2	87409301	1	SCREEN, Assy Rotary Air, Plastic Fine Mesh, Inc. 3, 4, 5, 6
2	87409302	1	SCREEN, Assy Rotary Air, Plastic Coarse Mesh, Inc. 3, 4A, 5A, 6
3	87410086	1	SUPPORT, Frame Assy
	86988943	1	KIT, Rotary Air Screen Side, Fine Mesh, Inc. 4 (1), 6 (10)
	86988941	1	KIT, Rotary Air Screen Side, Coarse Mesh, Inc. 4A (1), 6 (10)
4	NSS	10	NOT SERVICED SEPARATELY, Screen, Side, Fine Mesh
4A	NSS	10	NOT SERVICED SEPARATELY, Screen, Side, Coarse Mesh
	87301194	1	KIT, KIT Rotary Air Screen Front, Fine Mesh, Inc. 5 (1), 6 (10)
	87301195	1	KIT, KIT Rotary Air Screen Front, Coarse Mesh, Inc. 5A (1), 6 (10)
5	NSS	5	NOT SERVICED SEPARATELY, SCREEN Front, Fine Mesh
5A	NSS	5	NOT SERVICED SEPARATELY, SCREEN Front, Coarse Mesh
6	86983638	145	CLIP, Screen Locking
7	87409151	1	SHEET, Blockoff Assy
8	87412677	1	BRUSH, Inner
9	87429394	1	SEAL,
10	86976658	1	CLAMP,
11	409-7416	1	BOLT, Hex Flg, 1/4"-20 x 1", Serr,
12	231-1444	1	NUT, LOCK, 1/4"-20, GB,
13	87311544	1	CHUTE, Chute, Rear
14	87311541	1	CHUTE, Chute, Front
15	87432973	1	CHUTE, Chute, Lower
16	87432972	1	STRAP,
17	87311543	1	CHUTE, Chute, Upper
18	414883A2	1	BRUSH,
19	87414124	1	BRUSH, Angled
20	409-7512	13	BOLT, Hex Flg, 5/16"-18 x 3/4", Serr,
21	231-5145	16	NUT, Flg, USR, 5/16"-18,
22	256873	6	BOLT, Hex Flg, 5/16"-18 x 1/2", Serr,
23	409-748	6	BOLT, Hex Flg, 1/4"-20 x 1/2", Serr,
24	231-5144	4	NUT, Flg, USR, 1/4"-20,
25	857-10035	3	BOLT, Hex Flg, M10 x 35, 10.9,
26	87301188	1	BAR, PACKAGE, Disrupter Bar, Hardware and Instructions
27	87311542	1	SHEET, Outer Blockoff
28	87307435	1	HUB, Outer Blockoff, Inc. 29, 30, 31
29	87306986	1	HUB, Outer Blockoff
30	87302841	1	BEARING, BALL,
31	84017501	1	HOUSING, BEARING, Bearing

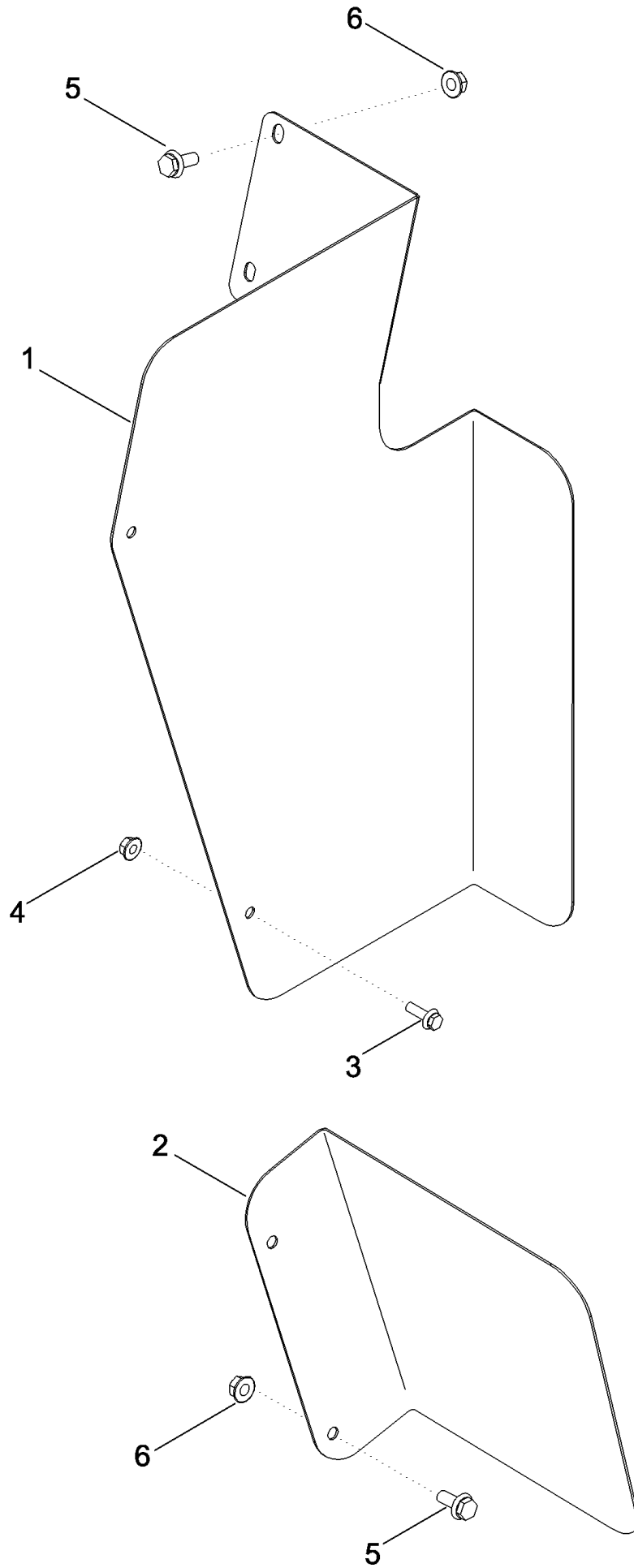
02-10 ROTARY AIR SCREEN VACUUM SYSTEM



02-10 ROTARY AIR SCREEN VACUUM SYSTEM

Ref	Part Number	Qty	Description
1	87378425	1	DUCT, Outlet
2	87358709	1	BRACKET, Outlet Duct
3	87358707	1	BRACKET, Outlet Duct
4	87385912	2	CLAMP, Outlet Duct
5	409-7512	21	BOLT, Hex Flg, 5/16"-18 x 3/4", Serr,
6	231-5145	33	NUT, Flg, USR, 5/16"-18,
7	214-1496	1	CLAMP, HOSE, #96, 5.56/6.50 Type F Worm, W/liner, Outlet Duct
8	87356780	1	HOUSING, Vacuum Fan
9	87385906	1	BRACKET,
10	87359661	1	MOTOR, HYDRAULIC, Suction Fan, Inc. 10A, 10B
10A	122067	1	KEY, (Not Shown)
10B	87341607	1	SEAL ASSY., Kit, (Not Shown)
11	87385913	1	FAN,
12	201-326	2	ELBOW, 90ε, 11/16"-16 x 1 1/16"-12, Adj, ORFS,
13	201-303	1	ELBOW, 90ε, 9/16"-18 x 7/16"-20 Adj, ORFS,
14	450-73112	4	SCREW, Cross Serr Truss Hd, 5/16"-18 x 3/4",
15	87366201	1	NUT,
16	87357276	1	ANGLE, Chopper Shield Support
17	87435C1	2	MOLDING,
18	131-440	2	NUT,
19	409-7612	2	BOLT, Hex Flg, 3/8"-16 x 3/4", Serr,
20	231-5146	2	NUT, Flg, USR, 3/8"-16,
21	87527668	1	DUCT, Vacuum Outlet
22	87527701	1	BRACKET, Upper Vacuum Outlet
23	87527700	1	BRACKET, Lower Vacuum Outlet
24	87515447	2	PLATE,
25	87515448	1	PLATE,
26	477-73112	6	BOLT, Slotted Tr Hd, 5/16"-18 x 3/4",

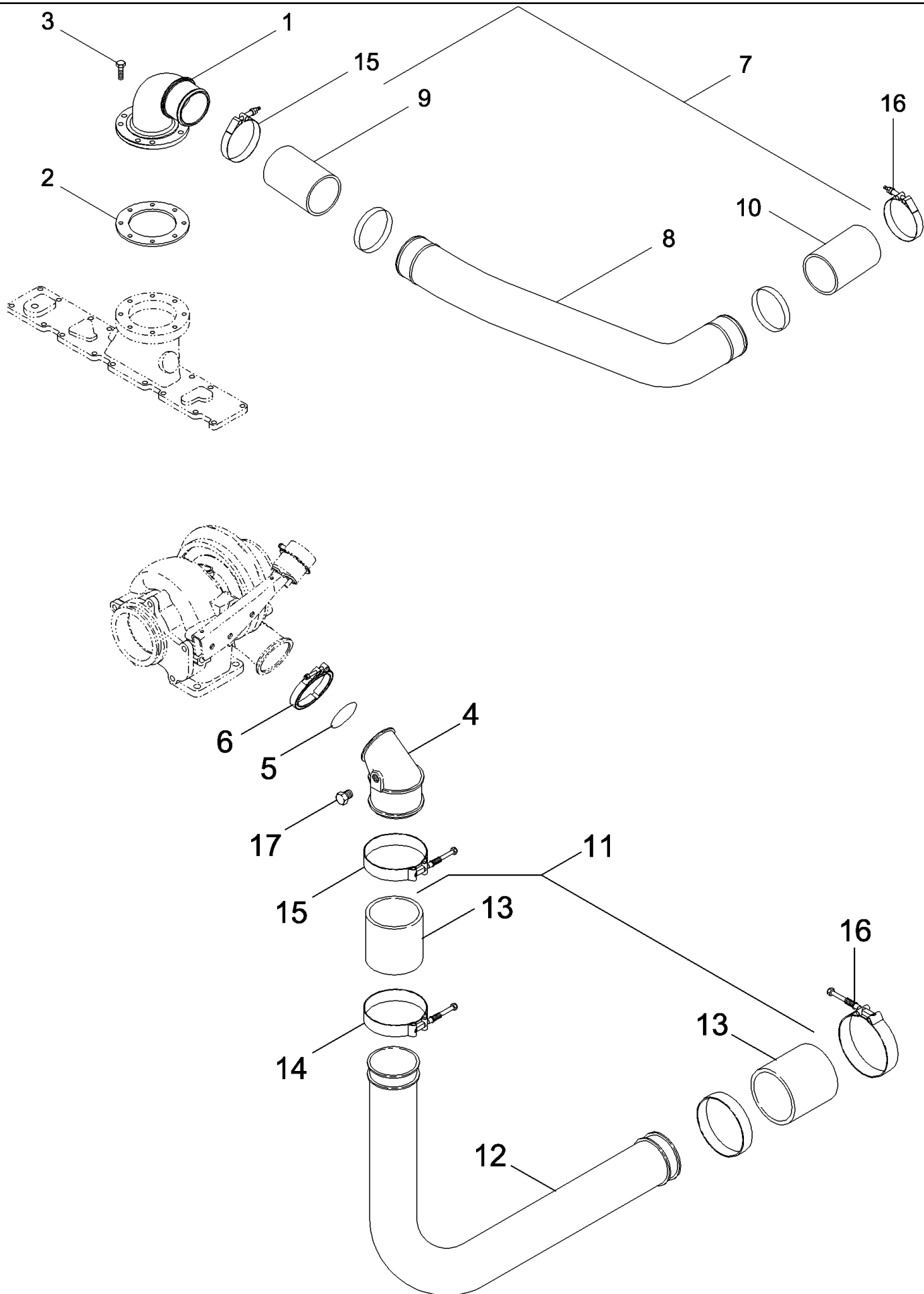
02-11 NON ROTARY AIR SCREEN VACUUM SHIELDS



02-11 NON ROTARY AIR SCREEN VACUUM SHIELDS

Ref	Part Number	Qty	Description
1	87537321	1	SHIELD, Upper
2	87537322	1	SHIELD, Lower
3	409-7412	1	BOLT, Hex Flg, 1/4"-20 x 3/4", Serr,
4	231-5144	1	NUT, Flg, USR, 1/4"-20,
5	409-7512	4	BOLT, Hex Flg, 5/16"-18 x 3/4", Serr,
6	231-5145	4	NUT, Flg, USR, 5/16"-18,

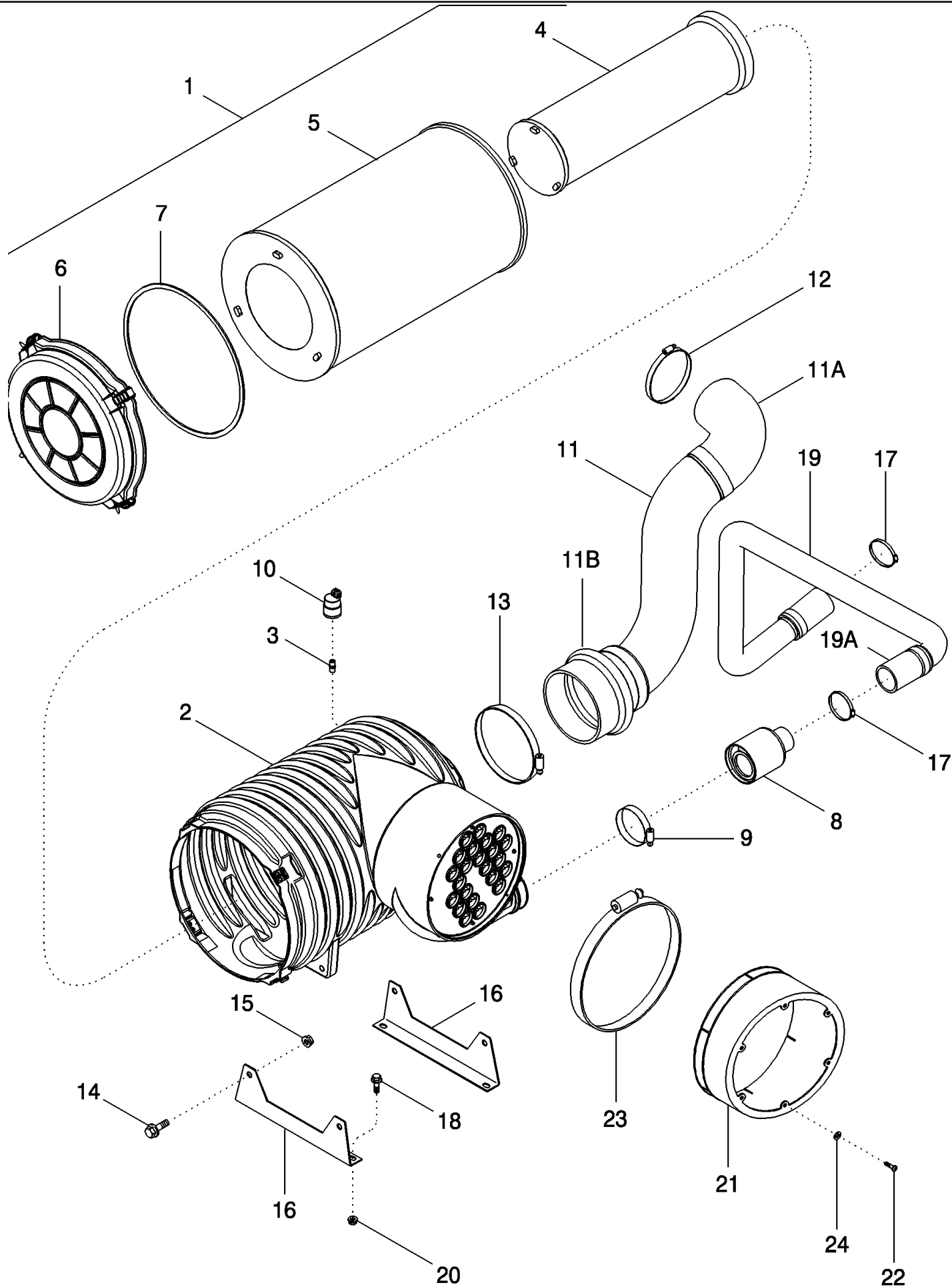
02-12 INTAKE SYSTEM, CHARGE AIR COOLER



02-12 INTAKE SYSTEM, CHARGE AIR COOLER

Ref	Part Number	Qty	Description
1	87404219	1	ELBOW, Engine Intake Manifold
2	J917892	1	GASKET,
3	87030775	4	BOLT, Hex Flg, M8 x 30, 10.9, Full Thd,
4	87301923	1	ELBOW, Turbo Outlet
5	J883284	1	O-RING,
6	J069053	1	CLAMP, Turbo Outlet
7	87302166	1	TUBE, Charge Air Cooler, Cold Side, Inc. 8 - 10
8	NSS	1	NOT SERVICED SEPARATELY, TUBE
9	87402764	1	HOSE, 3 inch
10	87402762	1	HOSE, 4 inch
11	87313867	1	TUBE ASSY., Charge Air Cooler, Hot Side, Inc. 12, 13
12	NSS	1	NOT SERVICED SEPARATELY, TUBE
13	87402761	2	HOSE, 4 inch
14	87420676	1	CLAMP, HOSE, , ASN HAJ303001
15	87421230	2	CLAMP,
16	87420676	2	CLAMP, HOSE, 4 inch
17	217-84	2	PLUG, Hex Hd, 1/8"-27, Brass,

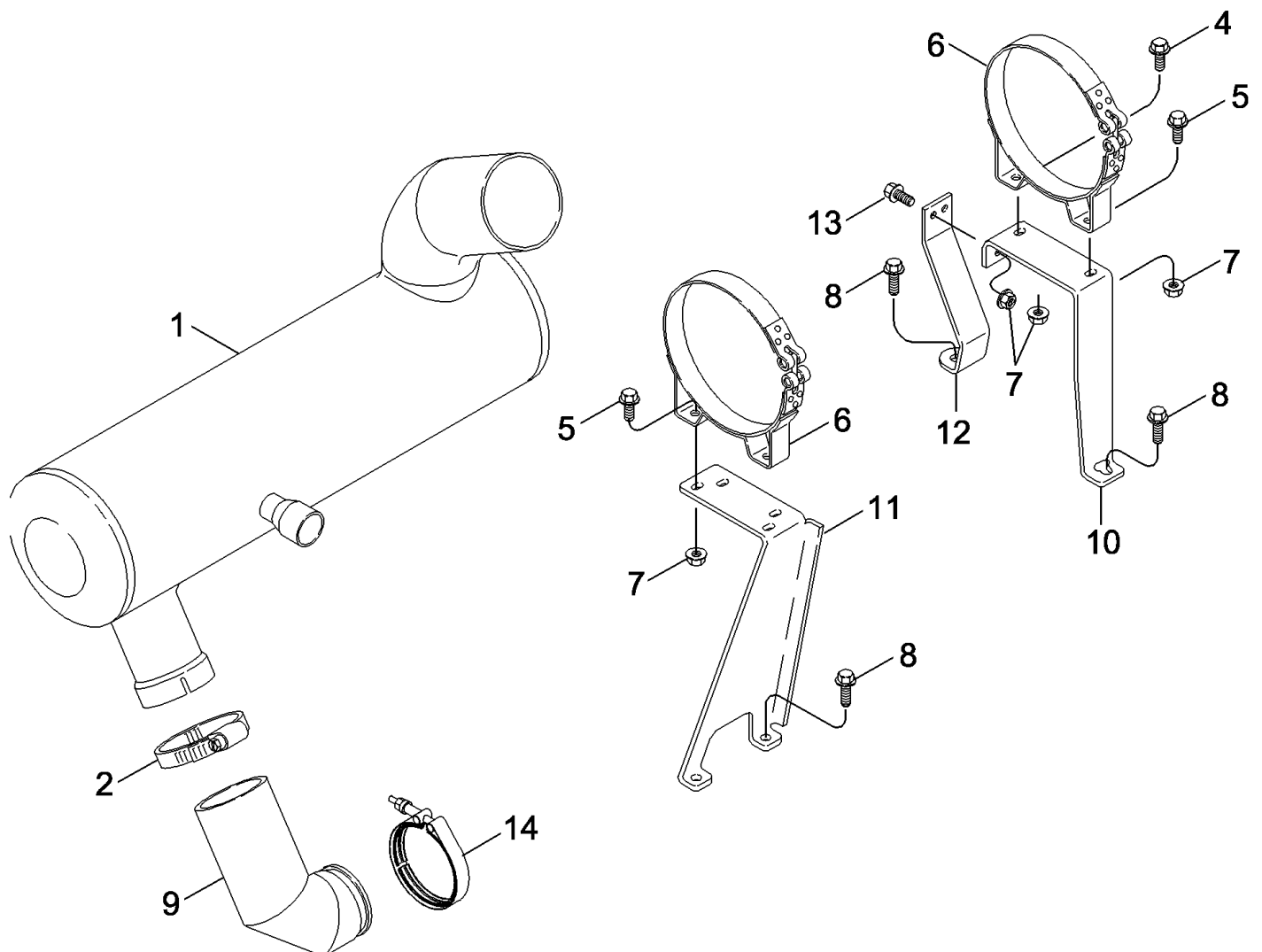
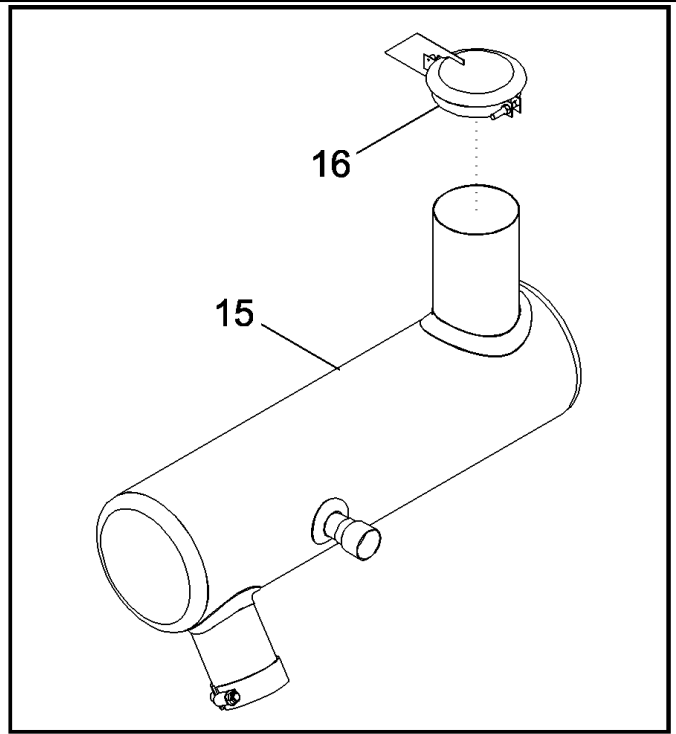
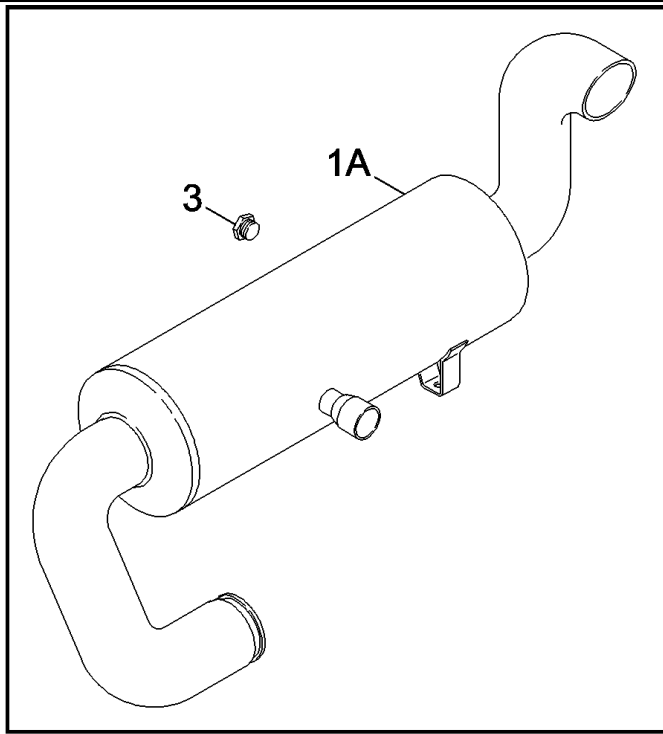
02-13 AIR CLEANER - AIR INDUCTION SYSTEM



02-13 AIR CLEANER - AIR INDUCTION SYSTEM

Ref	Part Number	Qty	Description
1	414188A3	1	AIR CLEANER, Inc. 2 - 10
2	NSS	1	NOT SERVICED SEPARATELY, Housing
3	86976679	1	ADAPTER,
4	86998332	1	FILTER, AIR, Secondary
5	86998333	1	FILTER, AIR, Primary
6	87414982	1	COVER, Inc. 7
7	87414805	1	GASKET,
8	86983468	1	VALVE, CHECK, Check Valve
9	214-3264	1	CLAMP, HOSE, 3.25/4.125 HD Worm, W/liner,
10	279492A1	1	SWITCH, Air Restriction
11	87312735	1	TUBE, Air Inlet
11A	87313999	1	ELBOW,
11B	446434A1	1	TUBE,
12	214-3280	1	CLAMP, HOSE, 4.25/5.125 HD Worm, W/liner,
13	214-32112	1	CLAMP, HOSE, 6.25/7.125 HD Worm, W/liner,
14	409-7632	4	BOLT, Hex Flg, 3/8"-16 x 2", Serr,
15	231-5346	4	NUT, LOCK, Flg, 3/8"-16,
16	87414123	2	SUPPORT,
17	214-3240	2	CLAMP, HOSE, 1.75/2.625 HD Worm, W/liner,
18	409-7512	4	BOLT, Hex Flg, 5/16"-18 x 3/4", Serr,
19	87302271	1	TUBE,
19A	87402766	1	HOSE,
20	131-137	4	NUT, Ret, 5/16"-18,
21	451775A1	1	DUCT,
	87302039	1	SEAL, Air Inlet Duct (Not Shown)
22	409-7412	6	BOLT, Hex Flg, 1/4"-20 x 3/4", Serr,
23	87012918	1	CLAMP, HOSE, #188, 12.25/2.50 Type F Worm,
24	495-11028	6	WASHER, 1/4", SAE,
25	231-1444	6	NUT, LOCK, 1/4"-20, GB, (Not Shown)

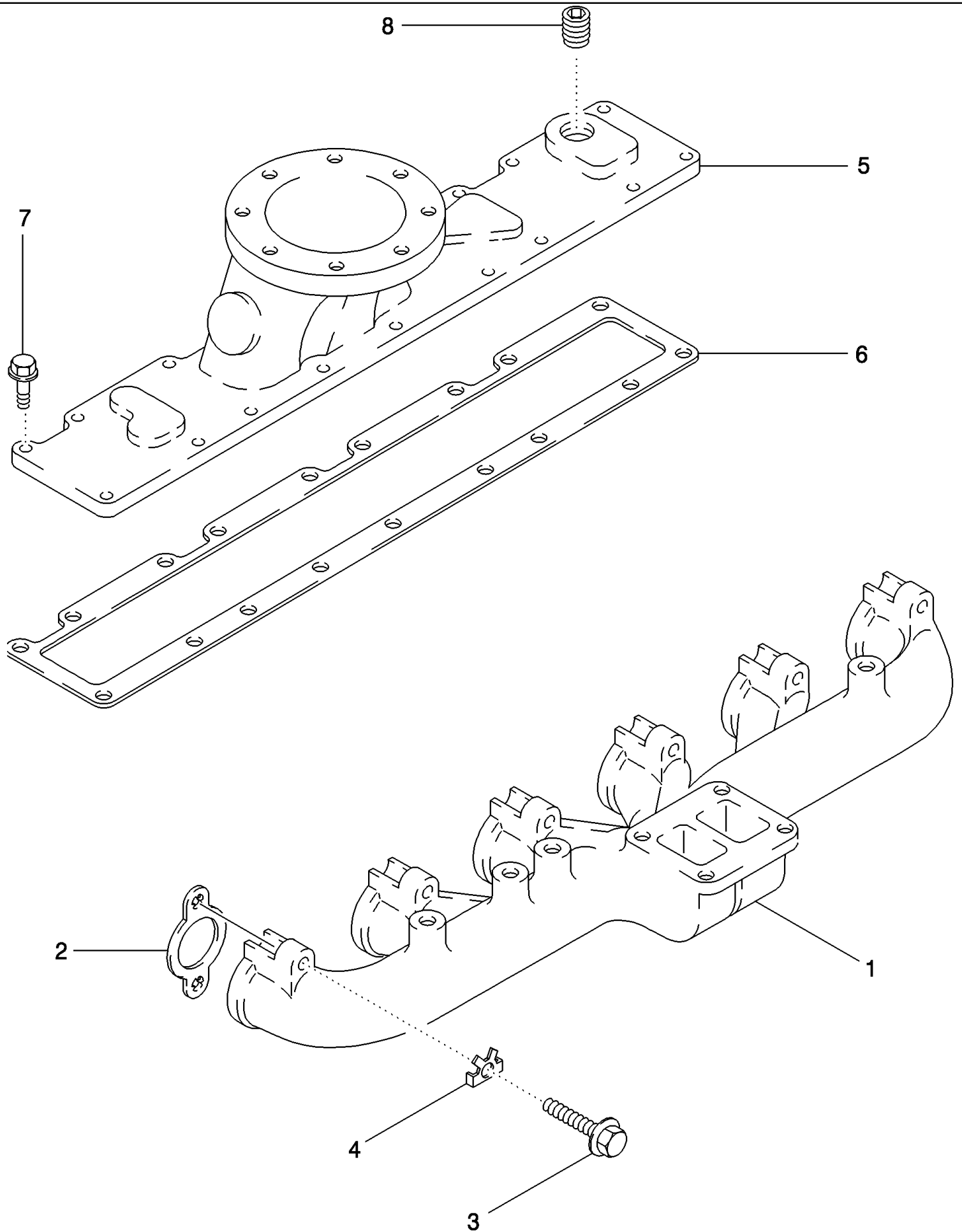
02-14 EXHAUST SYSTEM - MUFFLER



02-14 EXHAUST SYSTEM - MUFFLER

Ref	Part Number	Qty	Description
1	87301603	1	MUFFLER, Inc. 2, BSN HAJ301378
1	87647561	1	MUFFLER, Inc. 2, BTW HAJ301378 & HAJ303001
1A	416717A1	1	MUFFLER, With Spark Arrester, Inc. 3
2	87314920	1	CLAMP,
3	217-409	1	PLUG, Hex Hd, 1/2"-14, Brass,
4	409-7520	1	BOLT, Hex Flg, 5/16"-18 x 1 1/4", Serr,
5	409-7512	3	BOLT, Hex Flg, 5/16"-18 x 3/4", Serr,
6	87301605	2	CLAMP,
7	231-5145	6	NUT, Flg, USR, 5/16"-18,
8	857-10025	4	BOLT, Hex Flg, M10 x 25, 10.9, Full Thd,
9	87310019	1	ELBOW, Engine Exhaust
10	87333804	1	BRACKET, Muffler
11	87314136	1	BRACKET, Muffler, Rear
12	87315143	1	BRACKET, Muffler
13	409-7516	2	BOLT, Hex Flg, 5/16"-18 x 1", Serr,
14	A170807	1	CLAMP,
15	87301603	1	MUFFLER, Inc. 2, ASN HAJ303001
16	86997809	1	COVER, Exhaust, ASN HAJ303001

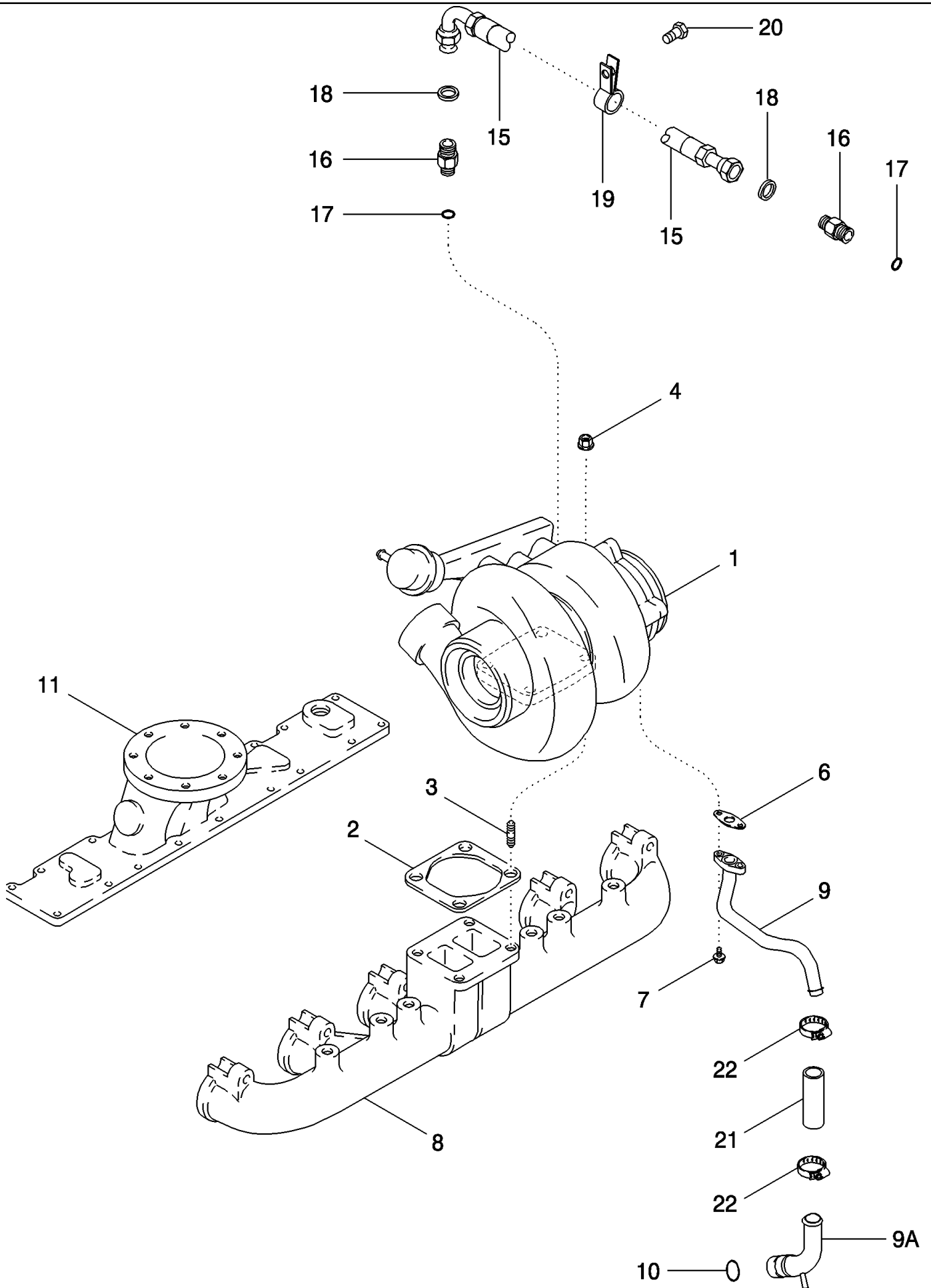
02-15 MANIFOLDS



02-15 MANIFOLDS

Ref	Part Number	Qty	Description
1	87405601	1	MANIFOLD, Exhaust
2	J932063	6	GASKET, MANIFOLD,
3	J929537	12	BOLT, 10 x 70 mm
4	J914708	12	PLATE, LOCKING,
5	J926044	1	COVER, Intake
6	J936993	1	GASKET, MANIFOLD,
7	J938036	18	SCREW, M8 x 30; 8.8
8	217-438	1	PLUG, Hex Soc, 1/2"-14,

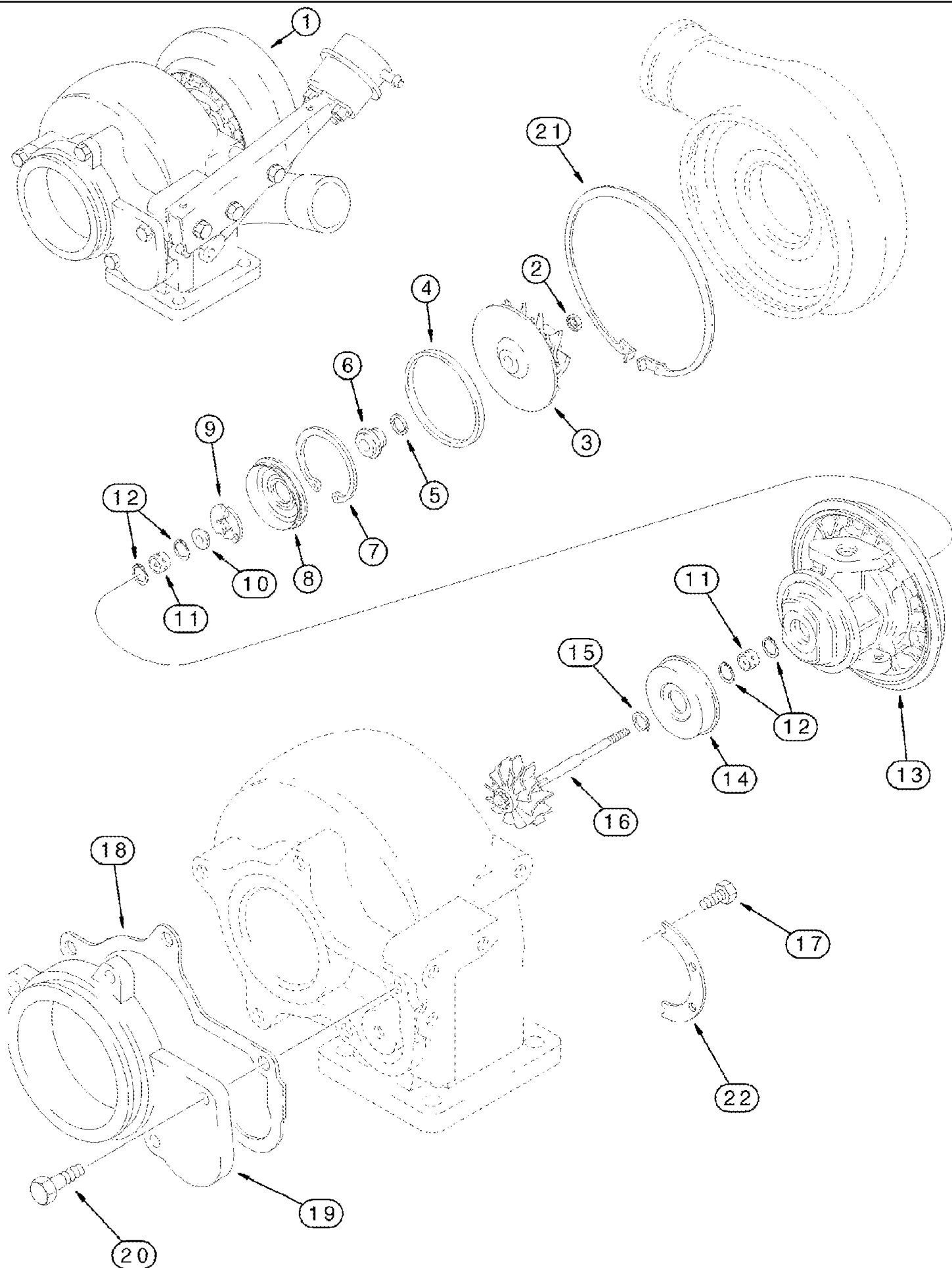
02-16 TURBOCHARGER SYSTEM



02-16 TURBOCHARGER SYSTEM

Ref	Part Number	Qty	Description
1	87561561	1	KIT, REPAIR, Turbocharger, Inc. 2, 6, See Figure 02-17
2	J901356	1	GASKET, Turbo Mount
3	J818823	4	STUD, M10 x 1.5
4	J818824	4	NUT, M10
6	J937706	1	GASKET, Oil Drain
7	845-8020	2	BOLT, Hex Flg, M8 x 20, 8.8, Full Thd,
8	87405601	1	MANIFOLD, Exhaust
9	87559981	1	TUBE, Turbo Drain at Turbo
9A	J931973	1	TUBE, Turbo Drain
10	238-7018	1	O-RING, -018, CI 7, .739" ID x .070" Thk,
11	J926044	1	COVER, Intake
15	87345099	1	HOSE, FLEXIBLE, 533 mm (21 in)
16	J922789	2	CONNECTOR, HYD., Male, Inc. 17
17	J678603	1	O-RING, 9 mm x 2 mm
18	313262A1	2	SEAL,
19	87434675	1	CLAMP,
20	844-10020	1	BOLT, Hex Flg, M10 x 20, 8.8,
21	J286499	1	HOSE, 76 mm (3 in), Turbo Drain Tube
22	214-1512	2	CLAMP, HOSE, #12, .69/1.25 Type F Worm, W/liner,

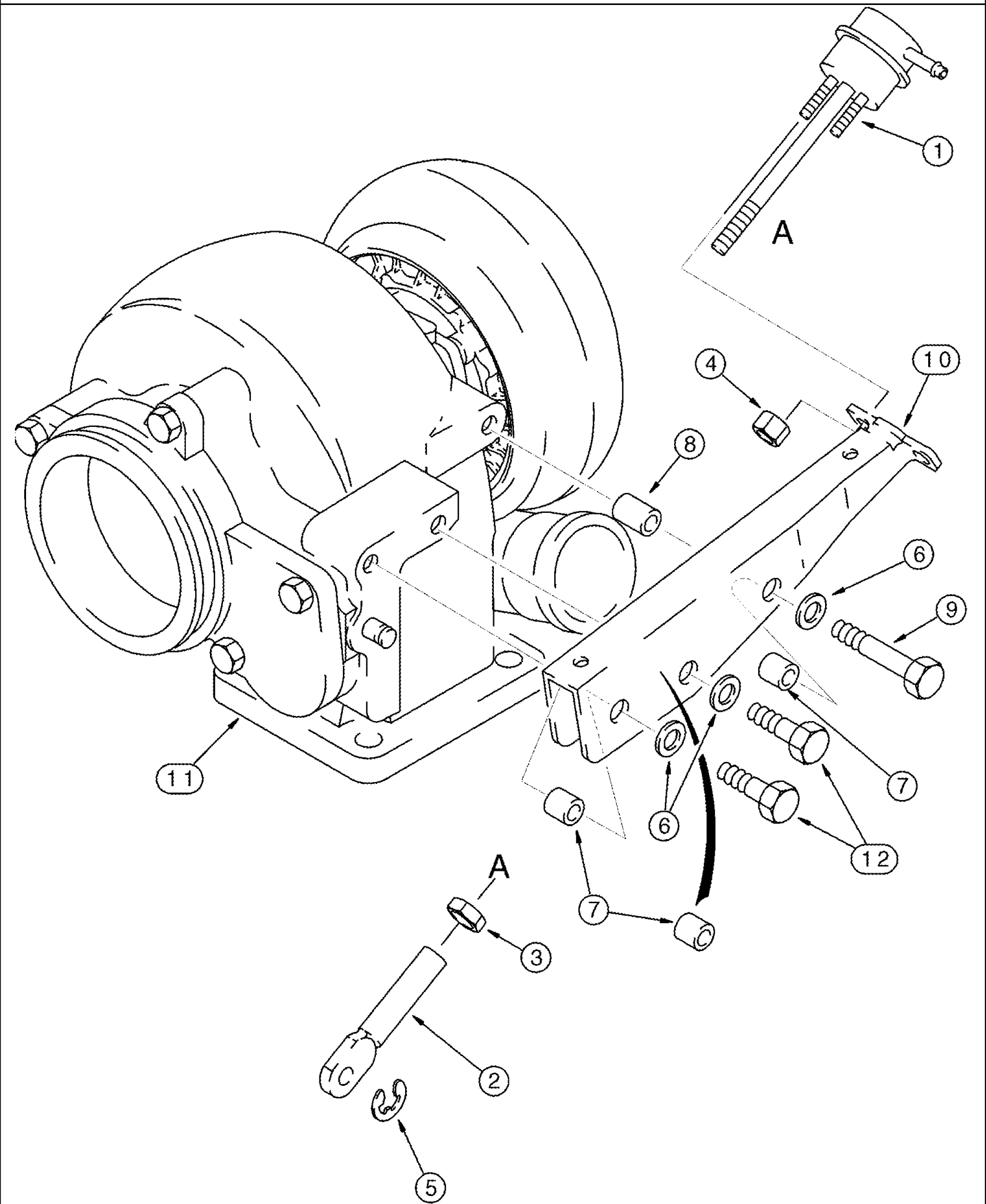
02-17 TURBOCHARGER ASSY



02-17 TURBOCHARGER ASSY

Ref	Part Number	Qty	Description
	87410624	1	Reman-Turbocharger, Inc. J937706, J755843, (Not Shown)
	87410627	1	Core Return Number, Turbocharger
	87561561	1	KIT, REPAIR, Turbocharger, Inc. J937706, J755843
1	NSS	1	NOT SERVICED SEPARATELY, Turbocharger, Inc. 2 - 22; Also Inc. 1 -12, See Figure 02-18
	J538379	1	HOUSING, Inc. 2 - 16
2	NSS	1	NOT SERVICED SEPARATELY, Nut
3	NSS	1	NOT SERVICED SEPARATELY, Impeller
4	NSS	1	NOT SERVICED SEPARATELY, Seal
5	NSS	1	NOT SERVICED SEPARATELY, Seal
6	NSS	1	NOT SERVICED SEPARATELY, Slinger
7	NSS	1	NOT SERVICED SEPARATELY, Ring
8	NSS	1	NOT SERVICED SEPARATELY, Baffle
9	NSS	1	NOT SERVICED SEPARATELY, Bearing, Thrust
10	NSS	1	NOT SERVICED SEPARATELY, Collar
11	NSS	2	NOT SERVICED SEPARATELY, Bearing, Journal
12	NSS	4	NOT SERVICED SEPARATELY, Ring
13	NSS	1	NOT SERVICED SEPARATELY, Housing
14	NSS	1	NOT SERVICED SEPARATELY, Shield
15	NSS	1	NOT SERVICED SEPARATELY, Seal
16	NSS	1	NOT SERVICED SEPARATELY, Rotor and Shaft
17	J759917	6	SET SCREW,
18	J535243	1	GASKET,
19	J528010	1	ADAPTER,
20	J503533	5	BOLT, M8 x 20
21	J533163	1	RING, SNAP,
22	J534309	2	PLATE,
	J575169	1	KIT, REPAIR, Overhaul, Inc. 2, 4, 5, 7, 8, 9, 11, 12, 15, 17

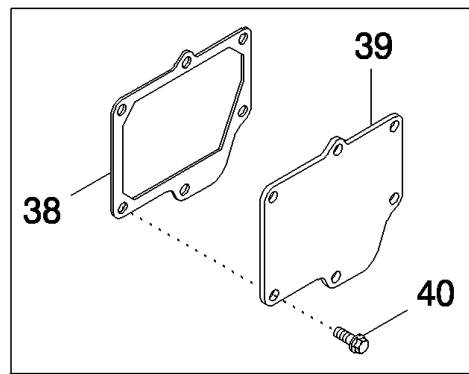
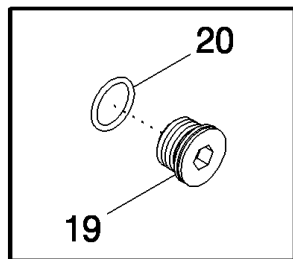
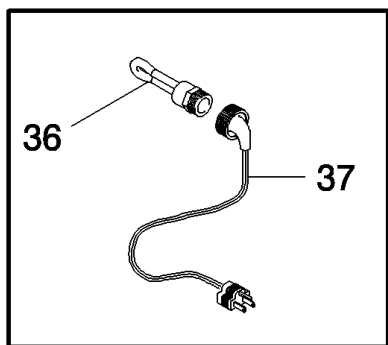
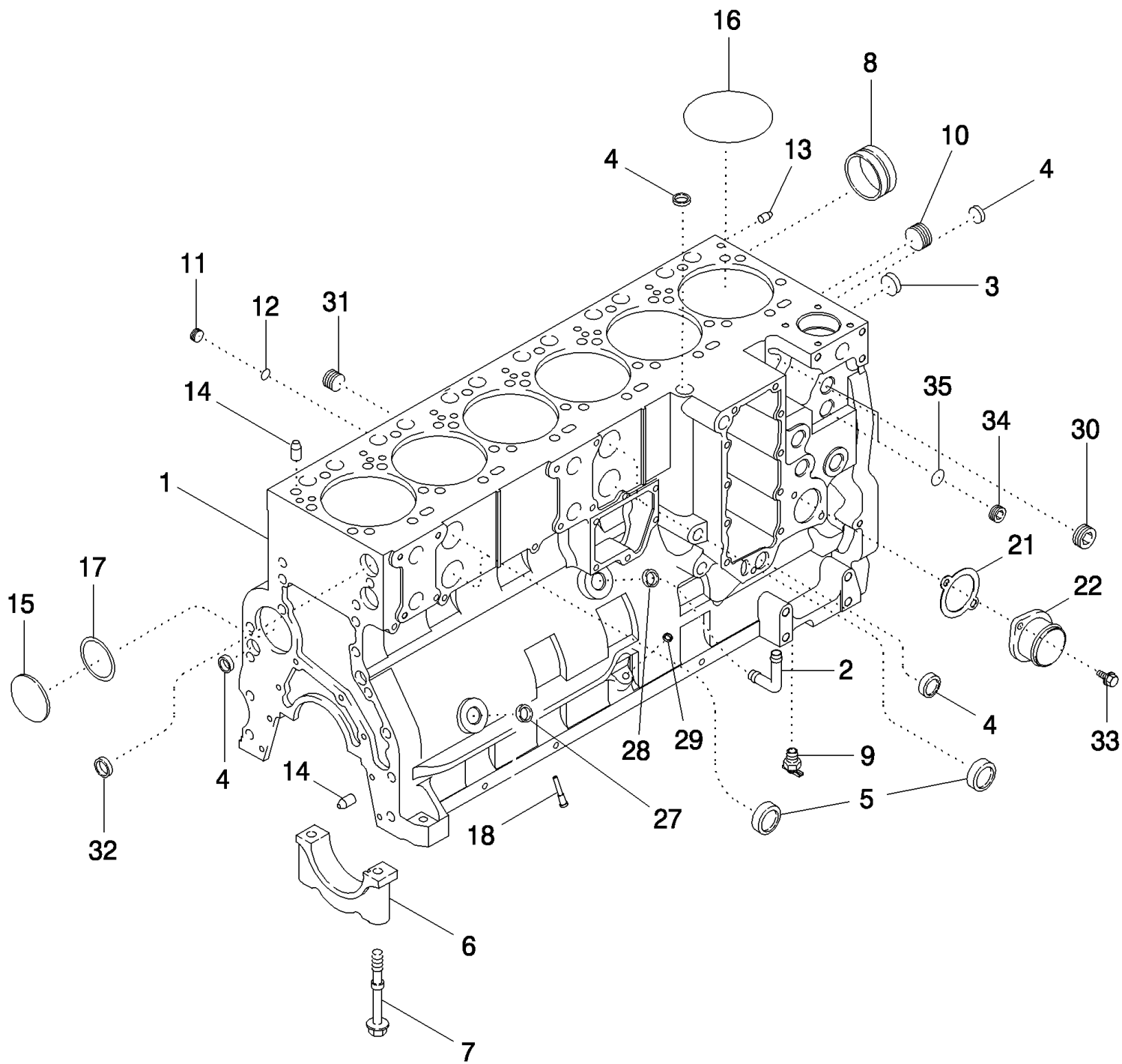
02-18 WASTEGATE ACTUATOR



02-18 WASTEGATE ACTUATOR

Ref	Part Number	Qty	Description
	NSS	1	NOT SERVICED SEPARATELY, Turbocharger, Inc. 1 - 12 , Also See Figure 02-17, Inc. 2 - 22
1	J593678	1	ACTUATOR,
2	J528177	1	LINK,
3	425-155	1	NUT, Jam, 5/16"-24, G5,
4	J592050	2	NUT, LOCK,
5	J528221	1	RING, SNAP,
	NSS	1	NOT SERVICED SEPARATELY, Housing Assy, Inc. 6 - 12
6	895-11008	3	WASHER, M8 x 16 x 1.6,
7	J532195	3	SPACER, 13.6 mm
8	J532196	1	SPACER, 19 mm
9	814-8050	1	BOLT, Hex, M8 x 50, 8.8,
10	J532671	1	BRACKET,
11	NSS	1	NOT SERVICED SEPARATELY, Housing
12	814-8035	2	BOLT, Hex, M8 x 35, 8.8,

02-19 CYLINDER BLOCK - ENGINE BLOCK HEATERS



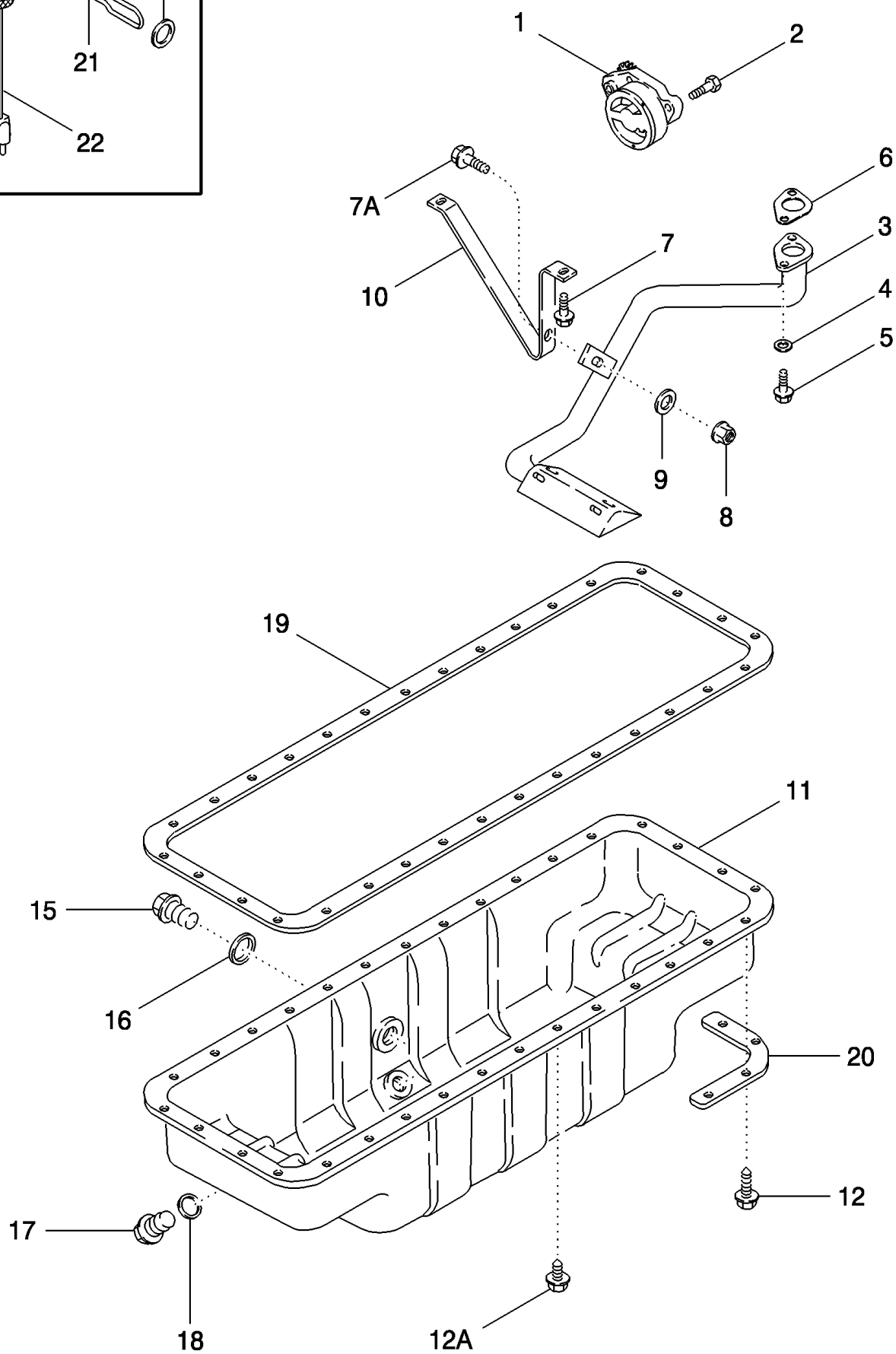
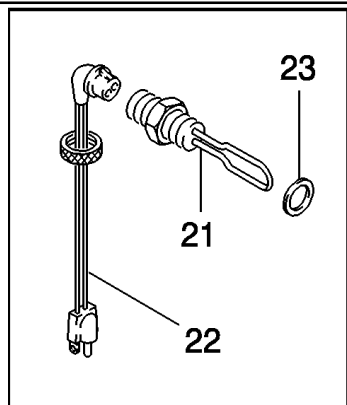
02-19 CYLINDER BLOCK - ENGINE BLOCK HEATERS

Ref	Part Number	Qty	Description
	87411283	1	ENGINE, BASIC, Service, 6TAA-830 Tier 2, Note: Basic engines and reman engines are generic engines, all parts are not supplied with the engines. Check the configuration of the engine being removed, with the configuration of the engine being installed. For any components not supplied with the engine being installed, reuse those parts from the engine that has just been removed. Do not return the old engine, until the unit is reassembled., Basic Service Engine, Less, Starter, Alternator, Fan, Fan Belt, Air Cleaner, Muffler, Exhaust Manifold, Flywheel and Housing, Oil Fill and Dipstick, Fuel Injection Pump, Injectors and Lines, Front Pulley, Belt Tensioner, Turbocharger and Aftercooler; See Note
	87411284	1	ENGINE, BASIC Remanufactured, N.A. Only, Note: Basic engines and reman engines are generic engines, all parts are not supplied with the engines. Check the configuration of the engine being removed, with the configuration of the engine being installed. For any components not supplied with the engine being installed, reuse those parts from the engine that has just been removed. Do not return the old engine, until the unit is reassembled.
	6830LBC	1	CORE-ENGINE,
	87411286	1	BLOCK, Short, Remanufactured, N.A. Only
	6830SHBC	1	CORE-ENGINE,
	87411285	1	BLOCK, Short, Inc. 1 - 8, Stripped Short Block, Pistons, Connecting Rods and Bearings, Crankshaft and Bearings
1	87444562	1	BASIC BLOCK, Stripped, Inc. 3 - 8, Also Order 87444569
2	87437056	1	TUBE, Turbo Drain
3	A77586	2	PLUG, 43 mm
4	A77506	4	PLUG, 21 mm
5	J905401	4	PLUG, 35 mm
6	87444056	7	CAP, Main Bearing
7	87444059	14	BOLT, M14 x 128
8	J945329	7	BEARING, CAMSHAFT, Camshaft
	87444569	1	KIT, SERVICE, Inc. 9 - 20
9	217-103	1	COCK, DRAIN, 1/4 PT
10	86625135	1	PLUG, Hex Soc, 1"-11 1/2 NPTF,
11	J678923	5	PLUG, 10 mm, Inc. 12
12	86625087	5	O-RING, CI 7, 8.1MM ID x 1.6 Thk,
13	J900257	2	PIN, 10 mm
14	J901846	4	PIN,
15	41-3044	1	PLUG, Exp, 2 3/4",
16	J907177	6	O-RING,
17	J926048	1	O-RING, 66 mm ID
18	J928031	12	NOZZLE,
19	J678921	2	PLUG, 14 mm, Inc. 20
20	J678912	2	O-RING,
21	J945603	1	GASKET, Water Inlet
22	J913030	1	FITTING, Water Inlet
27	A77530	1	PLUG, 1-13/64 OD
28	238-7018	1	O-RING, -018, CI 7, .739" ID x .070" Thk,

02-19 CYLINDER BLOCK - ENGINE BLOCK HEATERS

Ref	Part Number	Qty	Description
29	J943808	1	PLUG, 13 mm
30	263136	2	PLUG, MAGNETIC, Hex Soc, 3/4"-14 NPTF,
31	217-438	2	PLUG, Hex Soc, 1/2"-14,
32	J920443	2	PLUG, 30 mm
33	845-8020	2	BOLT, Hex Flg, M8 x 20, 8.8, Full Thd,
34	313244A1	2	PLUG, Hex Socket, 22 mm, Inc. 35
35	313246A1	1	O-RING, 19 ID x 2,2 mm
	310493A1	1	KIT, Engine Block Heater, 120 Volt, Inc. 36 - 37
36	196466A1	1	CABLE, ELECTRIC, 1829 mm (72 in)
37	NSS	1	NOT SERVICED SEPARATELY, Element
	310494A1	1	KIT, Coolant Heater, 240V, Inc. 36 - 37
36	J913112	1	HARNESS, WIRE, 305 mm (12")
37	NSS	1	NOT SERVICED SEPARATELY, Element
38	87436828	1	GASKET,
39	87413814	1	COVER, Used Without Side Crankcase Breather
40	87409160	6	SCREW,
	A78017	1	KIT, REPAIR, Engine Overhaul, (Not Shown), See Figure 02-33

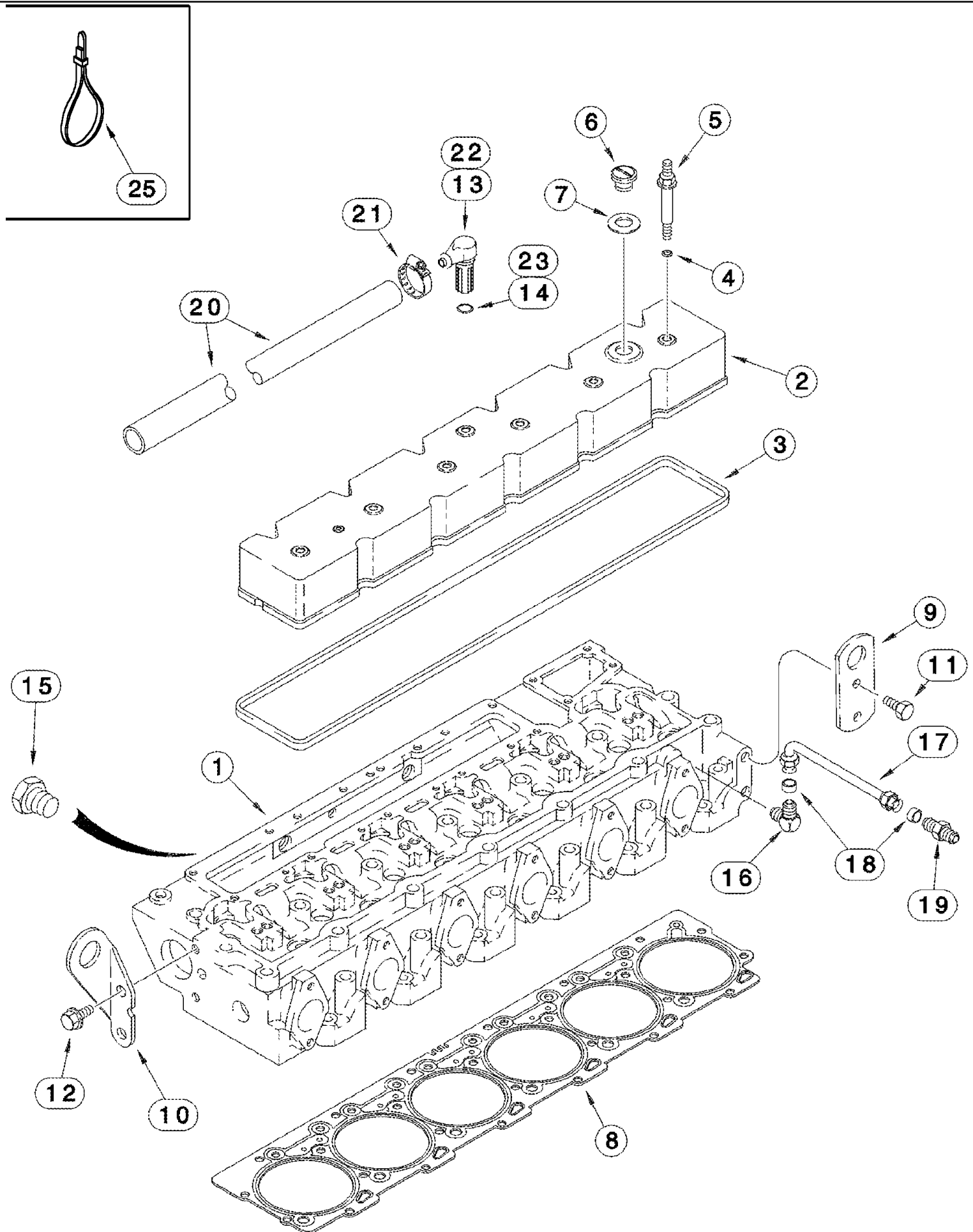
02-20 OIL PUMP, PAN - OIL PAN HEATER KIT



02-20 OIL PUMP, PAN - OIL PAN HEATER KIT

Ref	Part Number	Qty	Description
	JR948072	1	REMAN-PUMP, ENGINE OIL,
	JC948072	1	CORE-PUMP, ENGINE OIL,
1	J948072	1	PUMP, ENGINE OIL,
2	J900677	4	BOLT, M8 x 30
3	J921719	1	TUBE,
4	J926865	2	SPACER,
5	845-6030	2	BOLT, Hex Flg, M6 x 30, 8.8,
6	J914302	1	GASKET,
7	845-6015	2	BOLT, Hex Flg, M6 x 15, 8.8, Full Thd,
7A	845-6020	1	BOLT, Hex Flg, M6 x 20, 8.8, Full Thd,
8	825-2406	1	NUT, M6 x 1, Flg, Cl 8,
9	J910960	1	WASHER,
10	J927611	1	BRACKET,
11	J914015	1	PAN, ENGINE OIL,
12	J920400	16	BOLT, M8 x 25
12A	J907860	16	BOLT, M8 x 21
15	J924148	1	PLUG, M22
16	J902425	1	WASHER,
17	J924147	1	PLUG, M18
18	J920773	1	WASHER, SEALING,
19	J938160	1	GASKET, Pan
20	87414461	4	SUPPORT, Pan
	A77580	1	KIT, SERVICE, 120V, Heater, Inc. 21, 22, Also Order J902425, REF 16
21	NSS	1	NOT SERVICED SEPARATELY, Element
22	196466A1	1	CABLE, ELECTRIC, 1829 mm (72 in)
	A77666	1	KIT, SERVICE, 240V Heater, Inc. 21, 22, Also Order J902425, REF 16
21	NSS	1	NOT SERVICED SEPARATELY, Element
22	J905114	1	CABLE, ELECTRIC, 1829 mm (72 in)

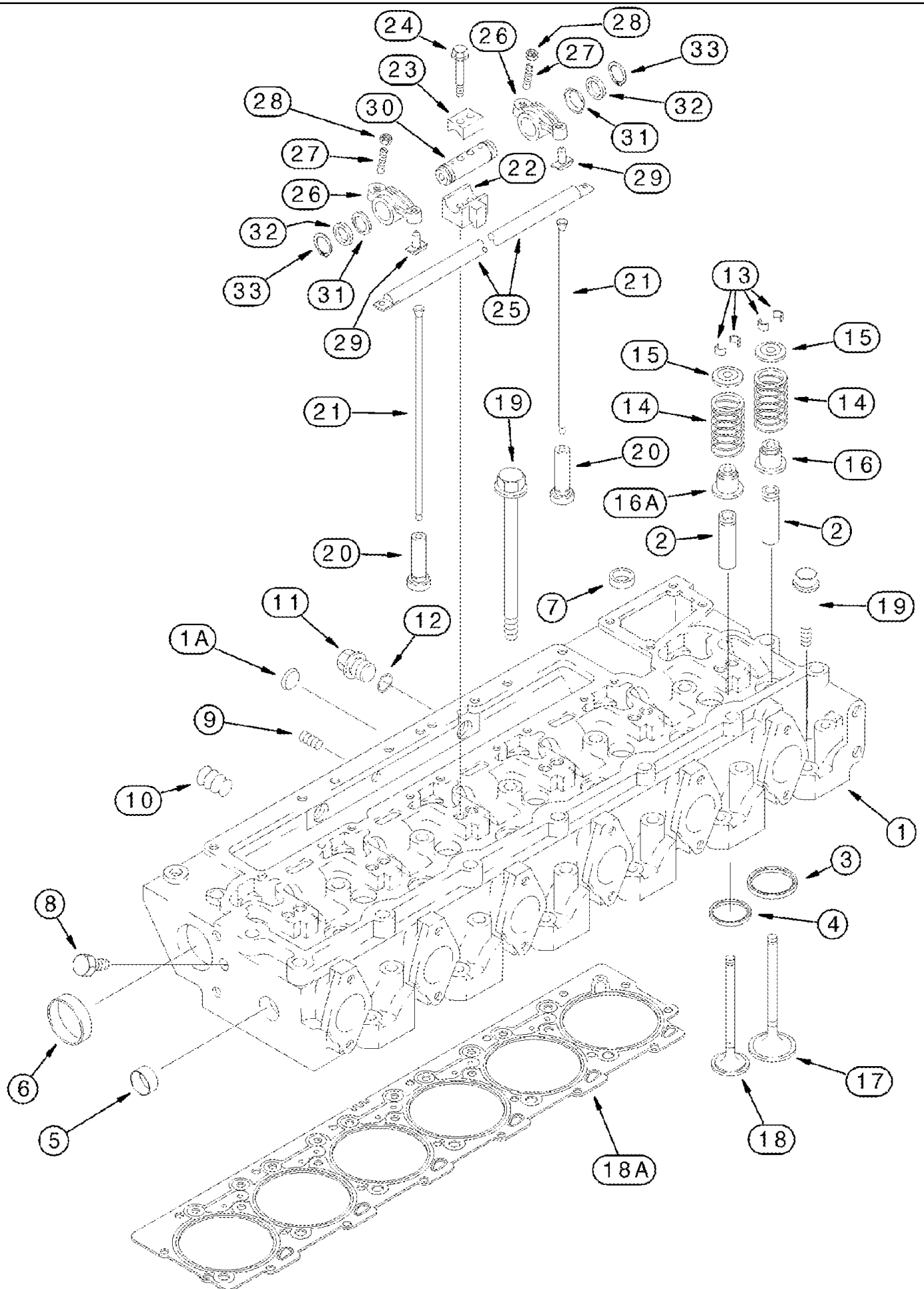
02-21 CYLINDER HEAD, COVER AND BREATHER



02-21 CYLINDER HEAD, COVER AND BREATHER

Ref	Part Number	Qty	Description
1	REF	1	INSTRUCTION, HEAD Assy , See Figure 02-30
2	J930903	1	COVER, VALVE,
3	J905449	1	SEAL, RUBBER,
4	J910824	6	O-RING,
5	J922639	6	STUD,
6	J902468	1	PLUG,
7	J902466	1	SEAL,
8	J938267	1	GASKET, CYLINDER HEAD, Standard
8	J935586	1	GASKET, CYLINDER HEAD, 0.25 mm
8	J935587	1	GASKET, CYLINDER HEAD, 0.50 mm
9	J907861	1	EYE, LIFTING, Lift, Front
10	J906440	1	EYE, LIFTING, Lift, Rear
11	844-12025	4	BOLT, Hex Flg, M12 x 25, 8.8,
15	J906619	1	PLUG, 1/8 PT
16	87026320	1	ELBOW, 90°, 1/2"-24 Fem x 1/8"-27 NPTF,
17	J924589	1	TUBE, Inc. 18
18	222-153	2	SLEEVE, 1/4" Tube,
19	87026319	1	CONNECTOR, HYD., 1/2"-24 x 1/8" NPTF w/Nut,
20	1541750C1	1	HOSE, FLEXIBLE, Crankcase Breather, 3760 mm (148-1/8 in), Cut From 364360C2
21	214-1516	1	CLAMP, HOSE, #16, .81/1.50 Type F Worm, W/liner,
22	J935113	1	ELBOW,
23	J936331	1	SEAL, 17.4 mm ID x 4.3 mm
24	515-25286	1	CLAMP, 1 1/8", Insul, 3/8" Bolt,
25	306132C1	1	STRAP, CABLE, .30" x 14.5",

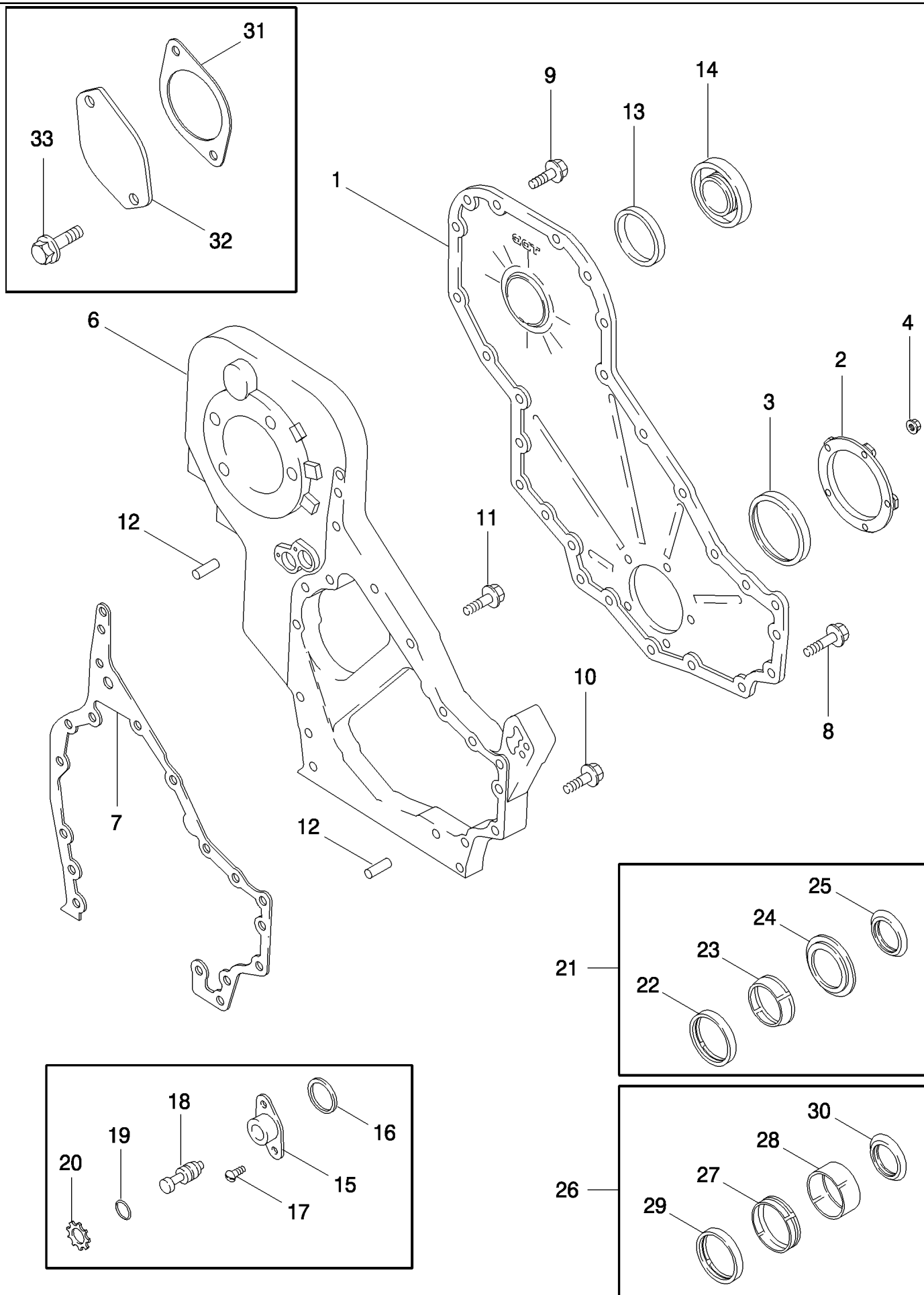
02-22 CYLINDER HEAD - VALVE MECHANISM



02-22 CYLINDER HEAD - VALVE MECHANISM

Ref	Part Number	Qty	Description
	JR936293	1	REMAN-CYLINDER HEAD, N.A. Only
	JC936293	1	REMAN-CYLINDER HEAD,
	J936293	1	CYLINDER HEAD, With Valves, Inc. 1 - 18
1A	J912900	1	PLUG, 24 mm
2	J923564	12	GUIDE, VALVE,
3	J924582	6	INSERT, Intake
3	J925468	6	SEAT, VALVE, 0.25 mm, Oversize, Service Repair Only
3	J925470	6	SEAT, VALVE, 0.50 mm, Oversize, Service Repair Only
4	J929005	6	INSERT, Exhaust
4	J929006	6	INSERT, 0.25 mm, Oversize, Service Repair Only
4	J929007	6	INSERT, 0.50 mm, Oversize, Service Repair Only
5	J920443	1	PLUG, 30 mm
6	A77782	2	PLUG, 58 mm
7	41-1616	5	PLUG, Cup, 1", Stainless,
8	217-426	1	PLUG, Hex Soc, 1/16"-27,
9	217-432	1	PLUG, Hex Soc, 1/4"-18,
10	217-438	1	PLUG, Hex Soc, 1/2"-14,
11	J924148	2	PLUG, M22
12	J902425	2	WASHER,
13	J901177	24	KEY,
14	J925272	12	SPRING, VALVE,
15	J925273	12	ROTATOR, Valve
16	J927642	6	SEAL,
16A	J927642	6	SEAL,
17	J924492	6	VALVE, ENGINE, INLET, STD,
18	J921444	6	VALVE, ENG EXHAUST, STD,
18A	J938267	1	GASKET, CYLINDER HEAD, , See Figure 02-34
19	J917728	14	BOLT, 160 mm
19	J917729	12	SCREW, 80 mm
20	J931623	12	TAPPET,
21	J905194	12	ROD, PUSH,
22	J905870	6	SUPPORT,
23	J901693	6	CLAMP,
24	868-10065	12	SCREW, 12 Pt Hd, M10 x 65, 12.9,
25	J919677	1	MANIFOLD,
26	J901717	12	ROCKER, Inc. 27 - 29
27	J937438	1	SET SCREW, Hex Skt, 3/8"-24 x 33mm, Adj, Ball Point,
28	A77902	1	NUT, 3/8 - 24 NF
29	NSS	1	NOT SERVICED SEPARATELY, Insert
30	J919435	6	SHAFT,
31	J906100	12	CUP, SPRING,
32	J907206	12	WASHER,
33	100-1187	12	RING, SNAP, #87, Ext,

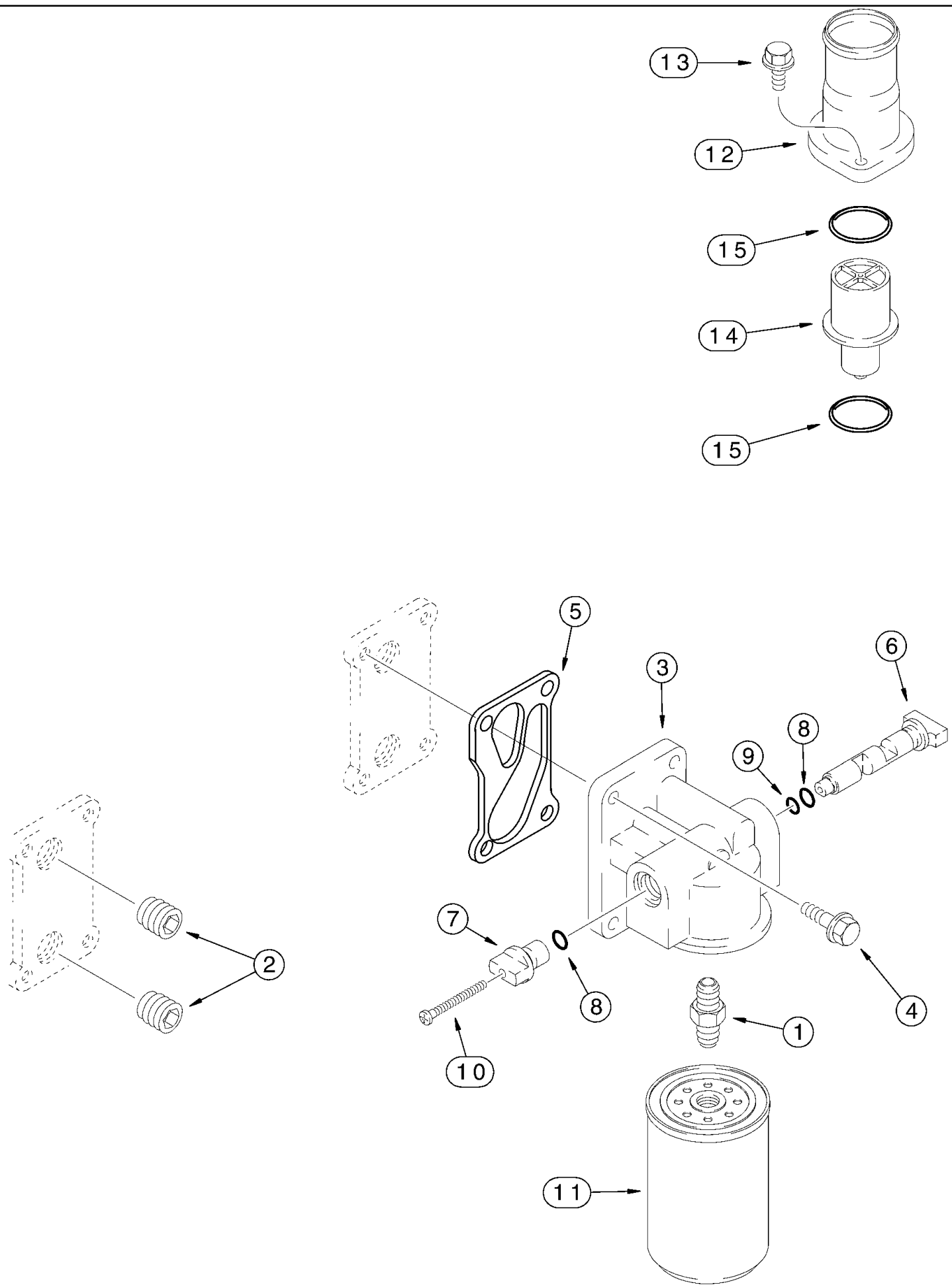
02-23 FRONT GEAR COVER



02-23 FRONT GEAR COVER

Ref	Part Number	Qty	Description
1	J948045	1	COVER,
2	J941786	1	CARRIER,
3	NSS	1	NOT SERVICED SEPARATELY, Seal, Order A77790 or A77808
4	J938077	5	NUT, M6
5	J823494	1	SEALANT, Silicone, 3 oz, (Not Shown)
6	J938085	1	COVER,
7	J944293	1	GASKET,
8	J926863	12	BOLT, M8 x 50
9	845-8016	14	BOLT, Hex Flg, M8 x 16, 8.8, Full Thd,
10	J926846	3	BOLT, M8 x 20
11	J943885	2	BOLT, M8 x 40
13	J903475	1	SEAL,
14	J903463	1	COVER,
15	J919683	1	HOUSING, Timing Pin
16	J915772	1	SEALRING,
17	J907998	2	SCREW, LOCK, Spc Rd Torx Hd, M5 x 17,
18	J903924	1	PIN, Timing
19	J913994	1	O-RING,
20	100-2587	1	RING, SNAP, 0.875", Int, #87,
21	A77790	1	KIT, SEALS, Crankshaft, Front, Inc. 22 - 25
22	NSS	1	NOT SERVICED SEPARATELY, Seal
23	NSS	1	NOT SERVICED SEPARATELY, Tool
24	NSS	1	NOT SERVICED SEPARATELY, Tool
25	J918113	1	SHIELD,
26	A77808	1	KIT, SERVICE, Crankshaft, Front, Inc. 27 - 30
27	NSS	1	NOT SERVICED SEPARATELY, Sleeve
28	NSS	1	NOT SERVICED SEPARATELY, Tool
29	NSS	1	NOT SERVICED SEPARATELY, Seal, Oil, Oversized
30	J924987	1	SHIELD,
31	J938655	1	GASKET,
32	J914868	1	COVER, Accessory Drive
33	854-12025	2	BOLT, Hex Flg, M12 x 25, 10.9,

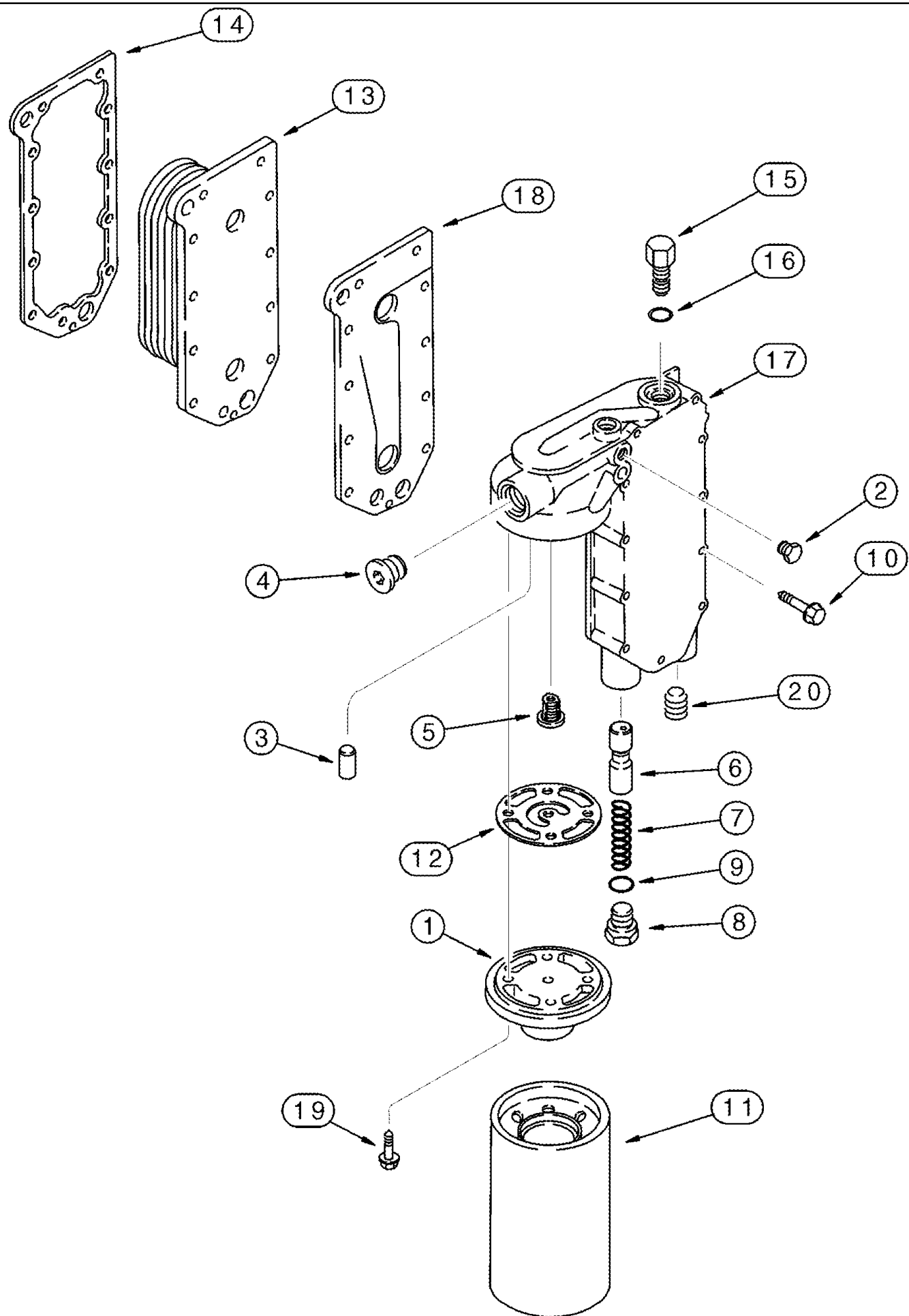
02-24 WATER FILTER AND THERMOSTAT



02-24 WATER FILTER AND THERMOSTAT

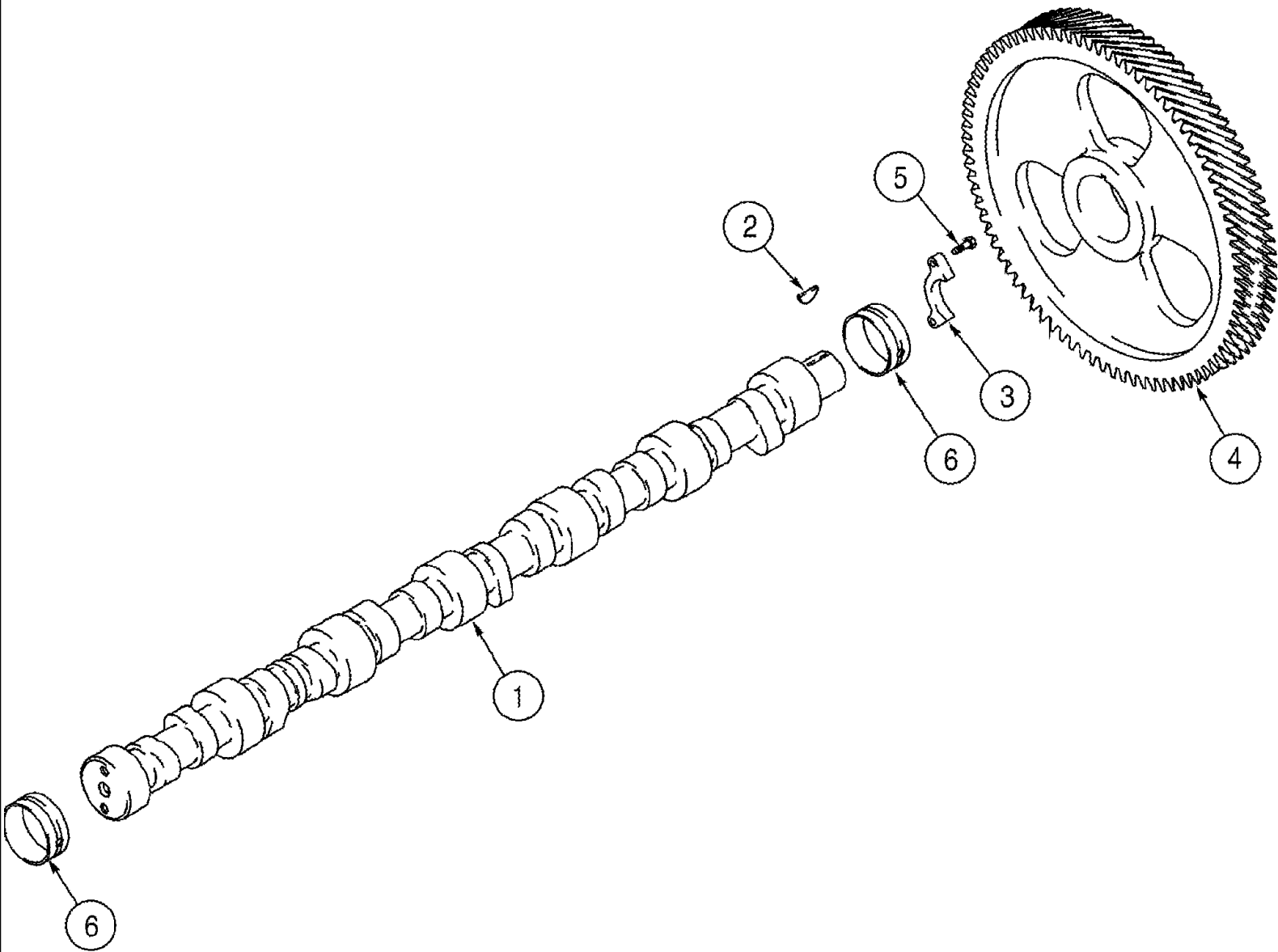
Ref	Part Number	Qty	Description
1	A77623	1	ADAPTER,
2	263136	2	PLUG, MAGNETIC, Hex Soc, 3/4"-14 NPTF,
3	J943738	1	HEAD, FILTER,
4	845-8025	4	BOLT, Hex Flg, M8 x 25, 8.8,
5	J937367	1	GASKET,
6	J943739	1	VALVE, SHUT-OFF,
7	J943740	1	VALVE, SHUT-OFF,
8	87423041	2	O-RING,
9	238-5013	1	O-RING, -013, 70 Duro, .426" ID x .070" Thk,
10	J944454	1	SCREW,
11	J100304	1	FILTER, ELEMENT,
12	J940631	1	OUTLET, Outlet
13	845-8025	2	BOLT, Hex Flg, M8 x 25, 8.8,
14	87698668	1	THERMOSTAT, Inc. 15
15	238-5227	2	O-RING, -227, 70 Duro, 2.109" ID x .139" Thk,

02-25 OIL FILTER AND COOLER



02-25 OIL FILTER AND COOLER

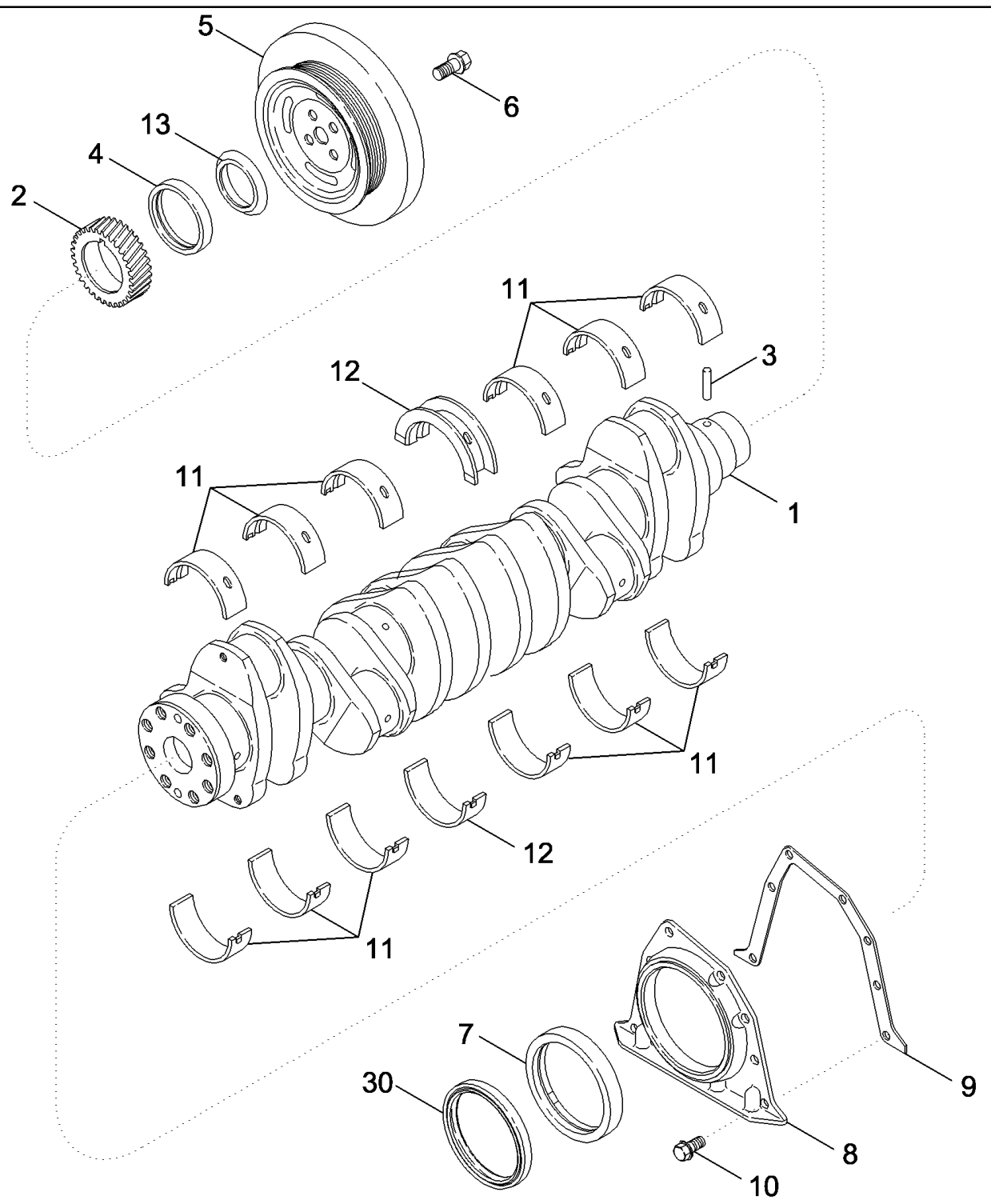
Ref	Part Number	Qty	Description
	J934159	1	COVER, Head Assy., Inc. 1, 3, 5, 12, 17, 19
1	J918334	1	HEAD, FILTER,
2	J906619	2	PLUG, 1/8 PT
3	A77722	1	PIN,
4	263136	1	PLUG, MAGNETIC, Hex Soc, 3/4"-14 NPTF,
5	J936365	1	VALVE, PRESSURE RELIEF,
6	J945967	1	PLUNGER,
7	A77541	1	SPRING,
8	J931084	1	PLUG, 24 mm, Inc. 9
9	J930911	1	O-RING, 3/4 ID x 1/16
10	87421315	9-11	SCREW, M8 x 65; 10.9
10	87409553	2	BOLT, With Stud, M8
11	J919562	1	FILTER, ENGINE OIL,
12	J921605	1	GASKET,
13	J918175	1	CORE-OIL COOLER,
14	J918174	1	GASKET,
15	J934410	1	VALVE, BY-PASS, Inc. 16
16	A77724	1	O-RING,
17	J931077	1	COVER,
18	J4063496	1	GASKET,
19	J907860	4	BOLT, M8 x 25
20	217-439	1	PLUG, Hex Soc, 1/2"-14,



02-26 CAMSHAFT

Ref	Part Number	Qty	Description
1	J923478	1	CAMSHAFT,
2	836-4065	1	KEY, WOODRUFF, M4 x 6.5 x 15.72,
3	J927155	1	SUPPORT,
4	J918777	1	GEAR,
5	J900227	2	SCREW, Hex, M8 x 1.25 x 22,
6	J945329	7	BEARING, CAMSHAFT,

02-27 CRANKSHAFT

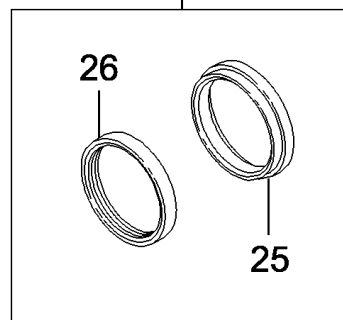
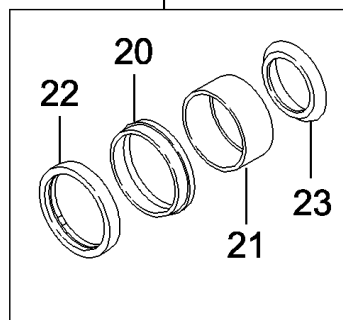
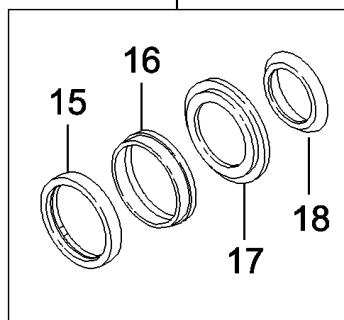
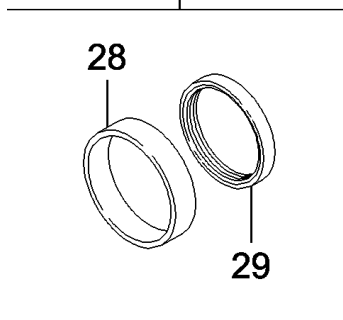


27

14

19

24



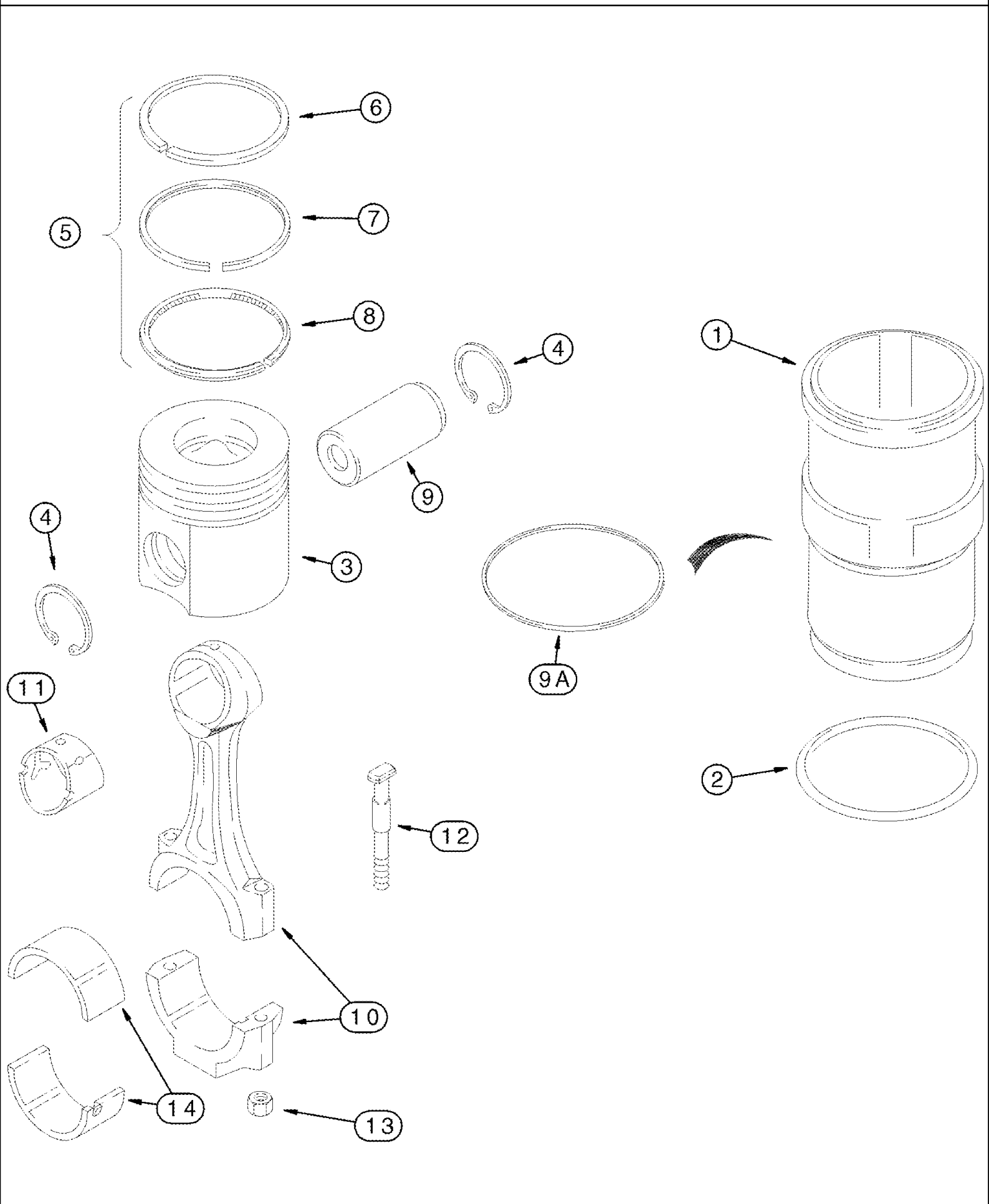
02-27 CRANKSHAFT

Ref	Part Number	Qty	Description
	JR918986	1	REMAN-CRANKSHAFT, Remanufactured, Order J918986
	JC918986	1	CORE-CRANKSHAFT,
1	J918986	1	CRANKSHAFT, Inc. 2, 3
2	J918776	1	GEAR,
3	J904483	1	PIN,
4	NSS	1	NOT SERVICED SEPARATELY, Seal, Order A77790, REF 14
5	J925570	1	DAMPER,
6	J906733	4	BOLT, M14 x 35
7	NSS	1	NOT SERVICED SEPARATELY, Seal, Order J934486, REF 24
8	J933384	1	COVER, REAR,
9	J914301	1	GASKET,
10	87409160	8	SCREW, M6 x 16; 10,9
11	J945930	6	BEARING, CRANKSHAFT, Main, Standard
11	J945931	6	BEARING, CRANKSHAFT, Main, Undersize 0.25 mm
11	J945932	6	BEARING, CRANKSHAFT, Main, Undersize 0.50 mm
11	J945933	6	BEARING, CRANKSHAFT, Main, Undersize 0.75 mm
11	J945934	6	BEARING, CRANKSHAFT, Main, Undersize 1.00 mm
12	J945929	1	BEARING, CRANKSHAFT, Thrust, Standard
12	J945922	1	BEARING, CRANKSHAFT, Thrust, Undersize 0.25 mm
12	J945923	1	BEARING, CRANKSHAFT, Thrust, Undersize 0.50 mm
12	J945924	1	BEARING, CRANKSHAFT, Thrust, Undersize 0.75 mm
12	J945925	1	BEARING, CRANKSHAFT, Thrust, Undersize 1.00 mm
12	J945926	1	BEARING, CRANKSHAFT, Thrust, Standard, Oversize 0.25 mm
12	J945927	1	BEARING, CRANKSHAFT, Thrust, Standard, Oversize 0.50 mm
12	J945928	1	BEARING, CRANKSHAFT, Thrust, Undersize 0.50 mm, Oversize 0.50 mm
13	J918113	1	SHIELD, Order A77790, REF 14
14	A77790	1	KIT, SEALS, Crankshaft, Front, Inc. 15 - 18
15	NSS	1	NOT SERVICED SEPARATELY, Seal
16	NSS	1	NOT SERVICED SEPARATELY, Tool
17	NSS	1	NOT SERVICED SEPARATELY, Tool
18	J918113	1	SHIELD,
19	A77808	1	KIT, SERVICE, Crankshaft, Front, Inc. 20 - 23
20	NSS	1	NOT SERVICED SEPARATELY, Sleeve
21	NSS	1	NOT SERVICED SEPARATELY, Tool
22	NSS	1	NOT SERVICED SEPARATELY, Seal
23	J924987	1	SHIELD,
24	J934486	1	KIT, SERVICE, Crankshaft, Rear, Inc. 24A, 25, 26
24A	NSS	1	NOT SERVICED SEPARATELY, Tool, (Not Shown)
25	NSS	1	NOT SERVICED SEPARATELY, Tool
26	NSS	1	NOT SERVICED SEPARATELY, Seal
27	A77810	1	KIT, SERVICE, Crankshaft, Rear, Inc. 28, 29
28	NSS	1	NOT SERVICED SEPARATELY, Sleeve
29	NSS	1	NOT SERVICED SEPARATELY, Seal

02-27 CRANKSHAFT

Ref	Part Number	Qty	Description
30	87423334	1	SEAL, Dust

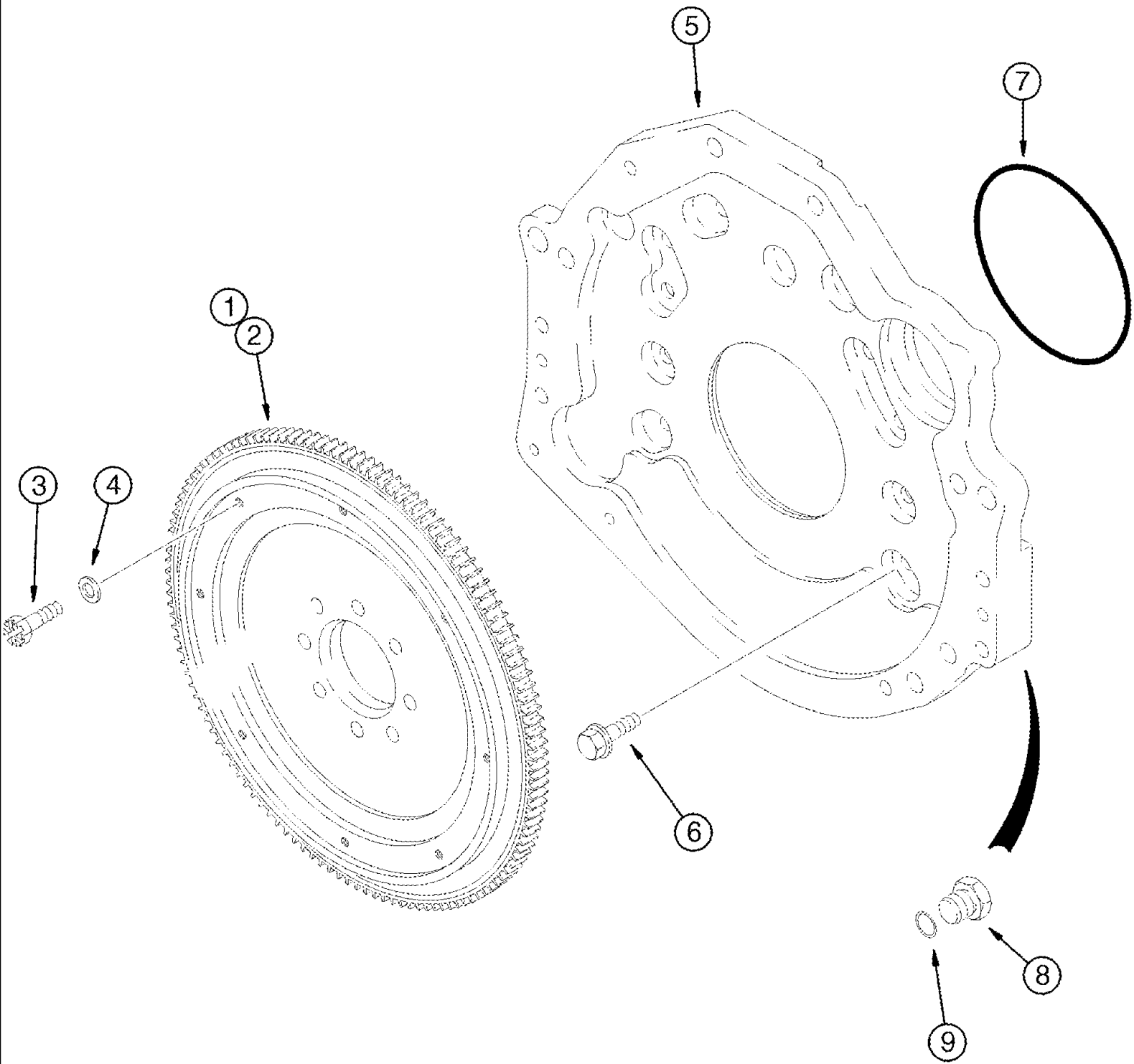
02-28 PISTONS - CONNECTING RODS



02-28 PISTONS - CONNECTING RODS

Ref	Part Number	Qty	Description
	A77912	6	PACKAGE, REPAIR, Piston, Rings and Sleeve, Standard, Inc. 1 - 8
1	J948095	1	SLEEVE CYLINDER,
2	J907177	1	O-RING,
	A77853	1	KIT, PISTON & RINGS, Inc. 3 - 8
3	NSS	1	NOT SERVICED SEPARATELY, Piston
4	100-21175	2	RING, SNAP, 1.75", Int, #175,
5	J802429	1	KIT, PISTON RINGS, Inc. 6 - 8
6	NSS	1	NOT SERVICED SEPARATELY, Ring, Top
7	NSS	1	NOT SERVICED SEPARATELY, Ring, Middle
8	NSS	1	NOT SERVICED SEPARATELY, Ring, Bottom
9	J934046	6	PIN, PISTON,
9A	J924445	AR	SHIM, 0.254 mm (0.010 in)
9A	J924446	AR	SHIM, 0.381 mm (0.015 in)
9A	J924447	AR	SHIM, 0.508 mm (0.020 in)
9A	J924448	AR	SHIM, 0.762 mm (0.030 in)
9A	J924449	AR	SHIM, 1.016 mm (0.040 in)
	JR901383	6	REMAN-ROD CONNECTING, Remanufactured
	JC901383	1	CORE-ROD CONNECTING,
	J901383	6	ROD, CONNECTING, Inc. 10 - 13
10	NSS	1	NOT SERVICED SEPARATELY, Rod
11	J913990	1	BUSHING,
12	J928870	2	BOLT,
13	J934864	2	NUT,
14	87443389	6	BEARING LINER, Kit, Standard
14	87443529	6	BEARING LINER, Kit, Undersize 0.25 mm
14	87443532	6	BEARING LINER, Kit, Undersize 0.50 mm
14	87443533	6	BEARING LINER, Kit, Undersize 0.75 mm
14	87443534	6	BEARING LINER, Kit, Undersize 1.00 mm

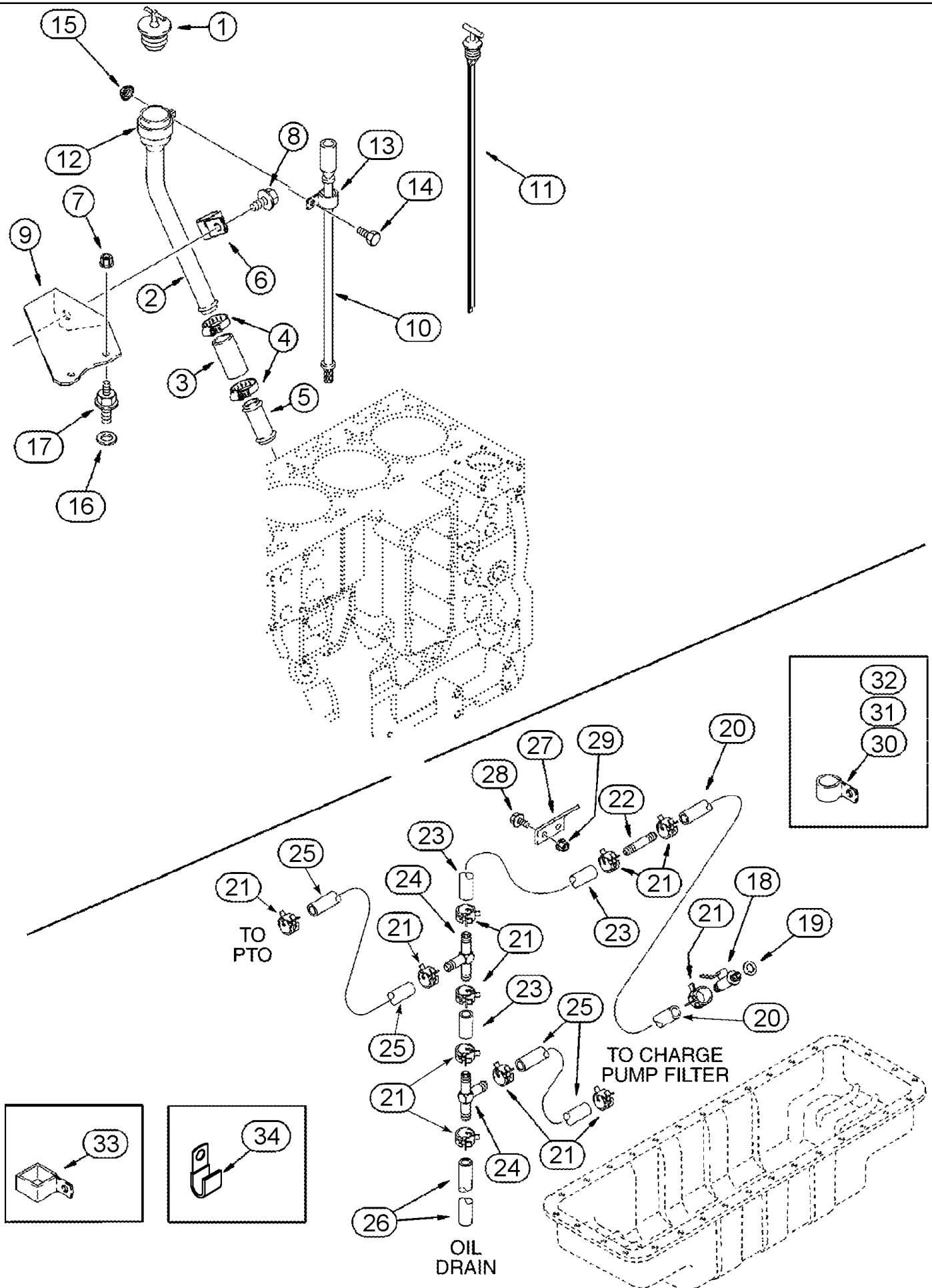
02-29 FLYWHEEL AND BACKING PLATE



02-29 FLYWHEEL AND BACKING PLATE

Ref	Part Number	Qty	Description
1	87553493	1	FLYWHEEL, Inc. 2
2	J905427	1	GEAR,
3	J908181	8	SCREW, 12 x 50 mm
4	J900269	8	WASHER,
5	J913593	1	PLATE,
6	854-12040	10	BOLT, Hex Flg, M12 x 40, 10.9,
7	J912473	1	SEALRING,
8	J910248	1	PLUG, Inc. 9
9	238-5212	1	O-RING, -212, 70 Duro, .859" ID x .139" Thk,

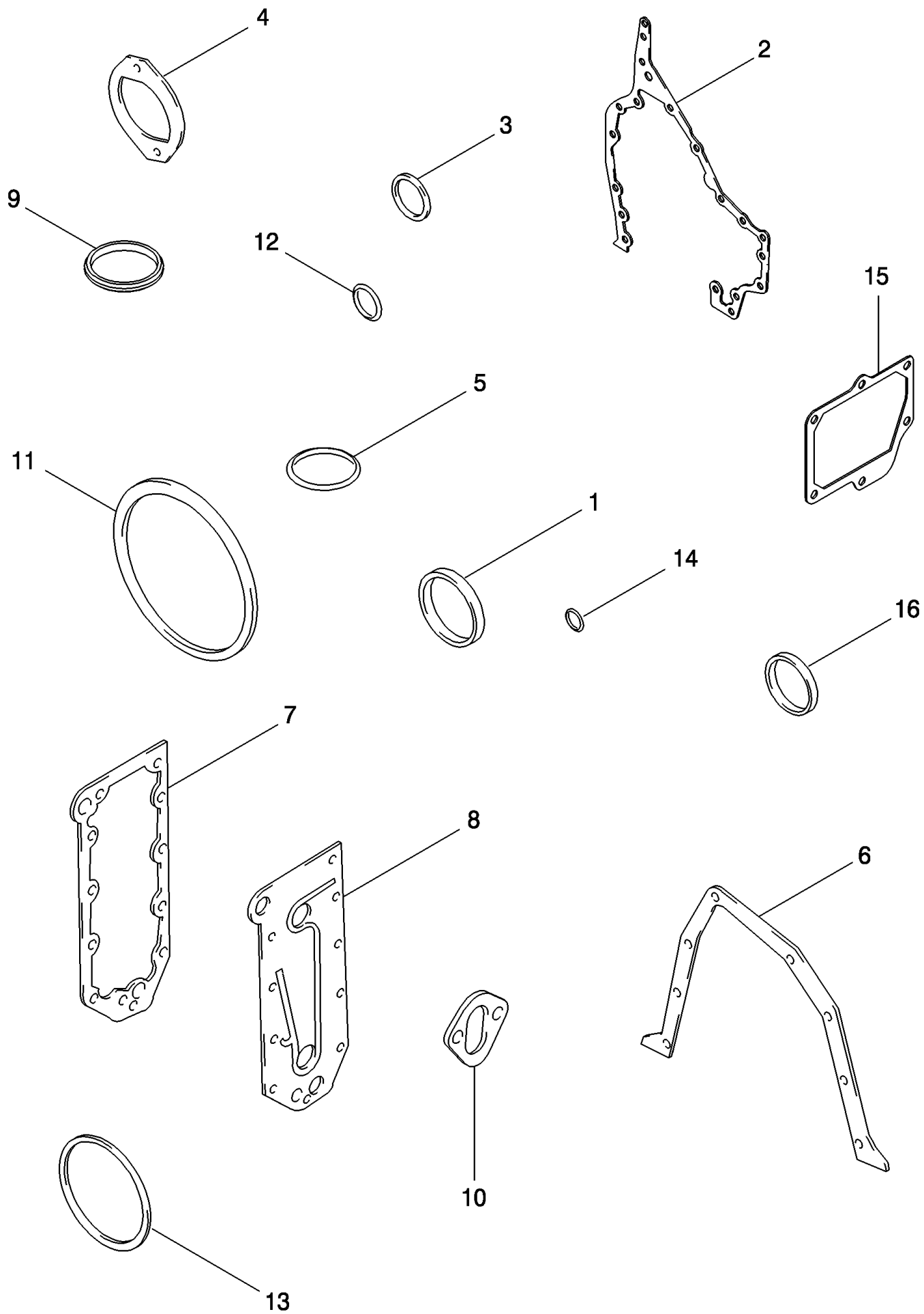
02-30 OIL SYSTEM ENGINE - OIL FILL TUBE - OIL DRAIN SYSTEM



02-30 OIL SYSTEM ENGINE - OIL FILL TUBE - OIL DRAIN SYSTEM

Ref	Part Number	Qty	Description
1	A77424	1	PLUG, Cap
2	J914019	1	TUBE,
3	A77661	1	HOSE,
4	214-1424	2	CLAMP, HOSE, #24, 1.06/2.00 Type F Worm,
5	J914163	1	TUBE,
6	J914022	1	CLAMP,
7	825-2406	2	NUT, M6 x 1, Flg, CI 8,
8	845-8025	1	BOLT, Hex Flg, M8 x 25, 8.8,
9	J914020	1	BRACKET,
10	86993181	1	TUBE,
11	86993180	1	DIPSTICK,
12	118788A1	1	CLAMP,
13	A77508	1	CLAMP, 7/16 ID
14	845-8025	1	BOLT, Hex Flg, M8 x 25, 8.8,
15	825-1408	1	NUT, M8, CI 8,
16	J918189	2	WASHER, SEALING,
17	J931061	2	SCREW,
18	1330429C1	1	VALVE, DRAIN, Inc. 20
19	J920773	1	WASHER, SEALING,
20	1329978C3	1	HOSE, 430 mm (17 in)
21	1954736C1	10	CLAMP, HOSE, No. 24
22	1301342C1	1	FITTING,
23	1329977C2	2	HOSE, 840 mm (33 in), Cut From 1977295CX, Oil Drain Upper, Oil Drain Intermediate
24	1977169C1	2	TEE,
25	394244A1	1	HOSE, 270 mm (10-5/8 in), Cut From 1977295CX, Oil Drain Pto
26	293339A1	1	HOSE, 1100 mm (43-5/16 in), Cut From 1977295CX, Oil Drain Lower
27	1977212C1	1	BRACKET,
28	409-7624	2	BOLT, Hex Flg, 3/8"-16 x 1 1/2", Serr,
29	231-5146	2	NUT, Flg, USR, 3/8"-16,
30	515-23317	1	CLAMP, 1 1/4", Insul, 3/8" Bolt,
31	515-23381	1	CLAMP, 1 1/2", Insul, 3/8" Bolt,
32	515-25476	3	CLAMP, 1 7/8", Insul, 1/2" Bolt,
33	1301387C2	2	CLIP, 2 in ID Square
34	97249C1	1	CLIP,

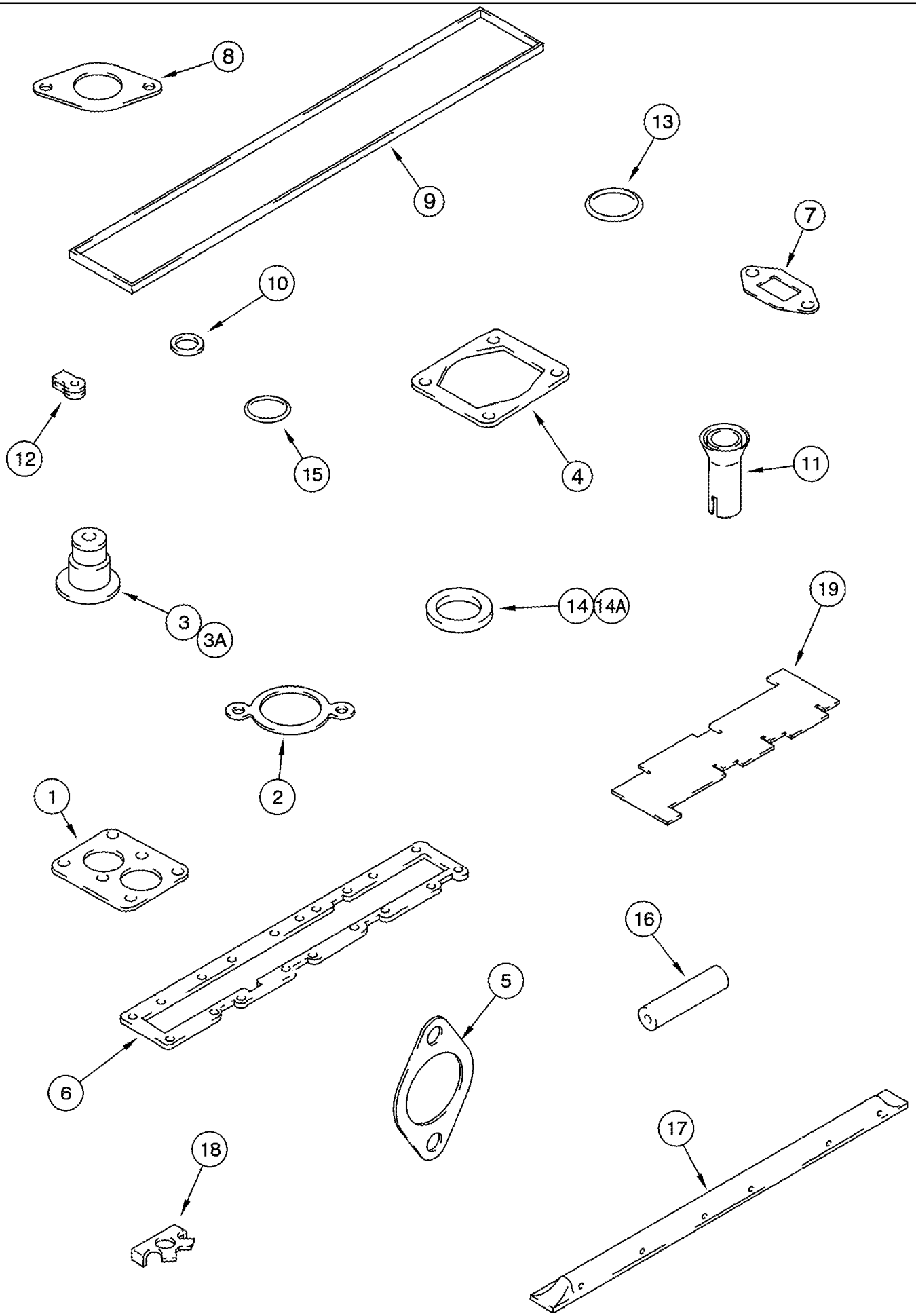
02-31 GASKET KIT - CYLINDER BLOCK



02-31 GASKET KIT - CYLINDER BLOCK

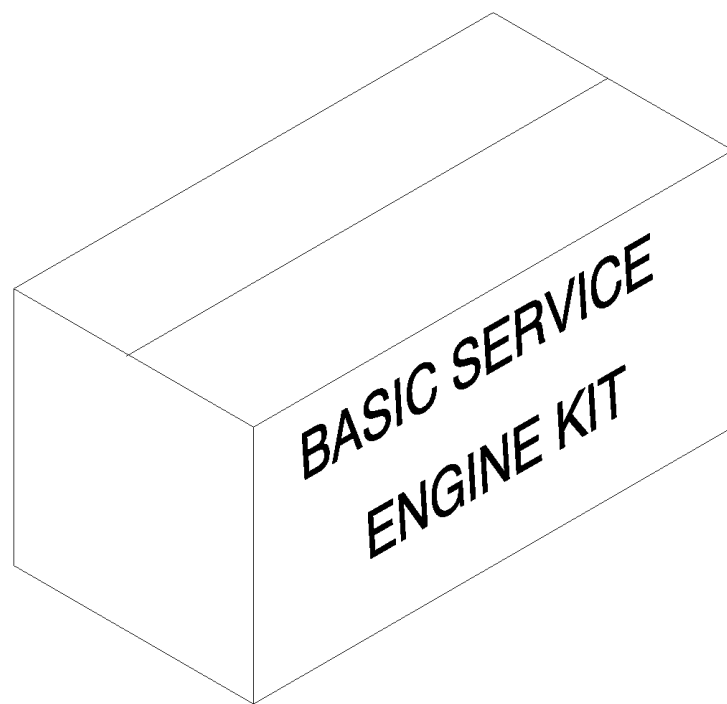
Ref	Part Number	Qty	Description
	87416435	1	KIT, GASKET, Cylinder Block, 6TAA-830, Tier 2 Engines, Inc. 1 - 16
1	J903475	1	SEAL, Front Cover
2	J944293	1	GASKET, Gear Housing
3	J915772	1	SEALRING, Timing Pin Housing
4	J938655	1	GASKET, Hydraulic Pump
5	238-5244	1	O-RING, -244, 70 Duro, 4.234" ID x .139" Thk,
6	87447962	1	GASKET, Rear Cover
7	J918174	1	GASKET, Oil Cooler
8	J4063496	1	GASKET, Oil Cooler Cover
9	J924605	1	SEAL, Seal, Injection Pump to Gear Housing
10	J939258	1	GASKET, Lift Pump
11	J912473	1	SEALRING, Rear Seal Cover
12	238-5212	1	O-RING, -212, 70 Duro, .859" ID x .139" Thk, Barring Hole Plug
13	J907177	6	O-RING, Sleeve to Block
14	J913994	1	O-RING, Timing Pin
15	87436828	1	GASKET, Breather
16	J926722	1	SEAL, Lube Oil Supply
17	J900830	1	O-RING, Seal, (Not Shown)

02-32 GASKET KIT - VALVE GRIND



02-32 GASKET KIT - VALVE GRIND

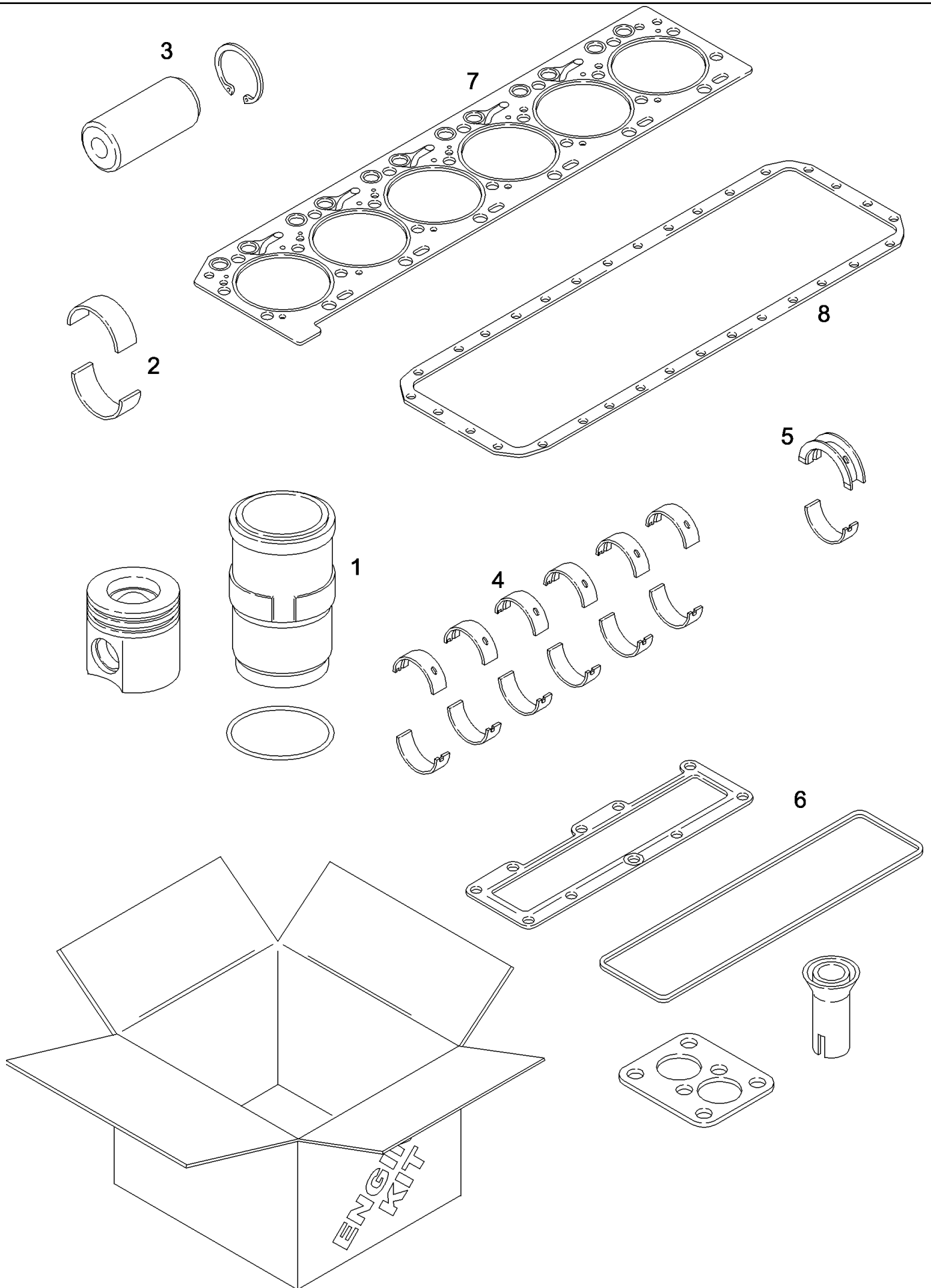
Ref	Part Number	Qty	Description
	J938267	1	GASKET, CYLINDER HEAD,
	A77976	1	KIT, GASKET, Valve Grind, Inc. 1-19
1	J914310	1	GASKET, Thermostat Housing
2	J918779	1	GASKET, Water Outlet
3	J927642	12	SEAL, Valve Stem
4	J755843	1	GASKET, Turbo Mount
5	J932063	1	GASKET, MANIFOLD, Exhaust
6	J936993	1	GASKET, MANIFOLD, Intake
8	J937706	1	GASKET, Oil Drain
9	J905449	1	SEAL, RUBBER, Valve Cover
10	J910824	6	O-RING, Valve Cover Bolts
11	J909886	6	SEAL, Injector
12	J903380	7	SEAL, Banjo Connector
13	238-5115	1	O-RING, -115, 70 Duro, .674" ID x .103" Thk,
14	J923261	6	WASHER, Injector Tip, 2.5 mm
14A	J937142	6	SEAL, Injector Tip, 1.5 mm
15	238-5111	1	O-RING, -111, 70 Duro, .424" ID x .103" Thk, Water Filter Shut-off
16	J930827	1	HOSE,
17	J919677	1	MANIFOLD, Rocker Arm Oil
18	J914708	12	PLATE, LOCKING, Exhaust Manifold Bolts
19	87404692	1	GAUGE, Cylinder Head Bolt Length



02-33 KIT, GASKET - BASIC ENGINE SERVICE

Ref	Part Number	Qty	Description
	A78043	1	GASKET, CYLINDER HEAD, Basic Engine, Inc. 1 - 27
1	222-993	2	GASKET, 3/8 Tube, FI, Copper,
2	238-5013	2	O-RING, -013, 70 Duro, .426" ID x .070" Thk,
3	238-5115	2	O-RING, -115, 70 Duro, .674" ID x .103" Thk,
4	238-5120	2	O-RING, -120, 70 Duro, .987" ID x .103" Thk,
5	238-7115	2	O-RING, -115, CI 7, .674" ID x .103" Thk,
6	933697R1	2	WASHER, SEALING, M10 x 13.5 x 1,
7	J937706	1	GASKET, Oil Drain
8	J902425	2	WASHER, 22 mm ID
9	J903380	6	SEAL, Banjo Connector
10	J903475	1	SEAL, Rectangular
11	J909886	6	SEAL, Injector
12	J910517	1	O-RING,
13	J755843	1	GASKET, Turbo Mount
14	J912473	1	SEALRING, Rear Cover
15	J936993	1	GASKET, MANIFOLD, Intake Manifold Cover
16	J916284	1	O-RING,
17	J918188	2	WASHER, Sealing
18	J918190	2	WASHER, SEALING, 10 mm ID
19	J918192	4	RING, PACKING, M14
20	J918779	1	GASKET, Water Outlet
21	J990881	2	CONNECTION, Banjo
22	J923261	6	WASHER, Injector Tip 2.5 mm
23	J924605	1	SEAL, D-Shaped
24	J939258	1	GASKET, Lift Pump
25	238-7018	1	O-RING, -018, CI 7, .739" ID x .070" Thk,
26	J932063	6	GASKET, MANIFOLD, Exhaust
27	87415913	2	WASHER, SEALING, 12 mm

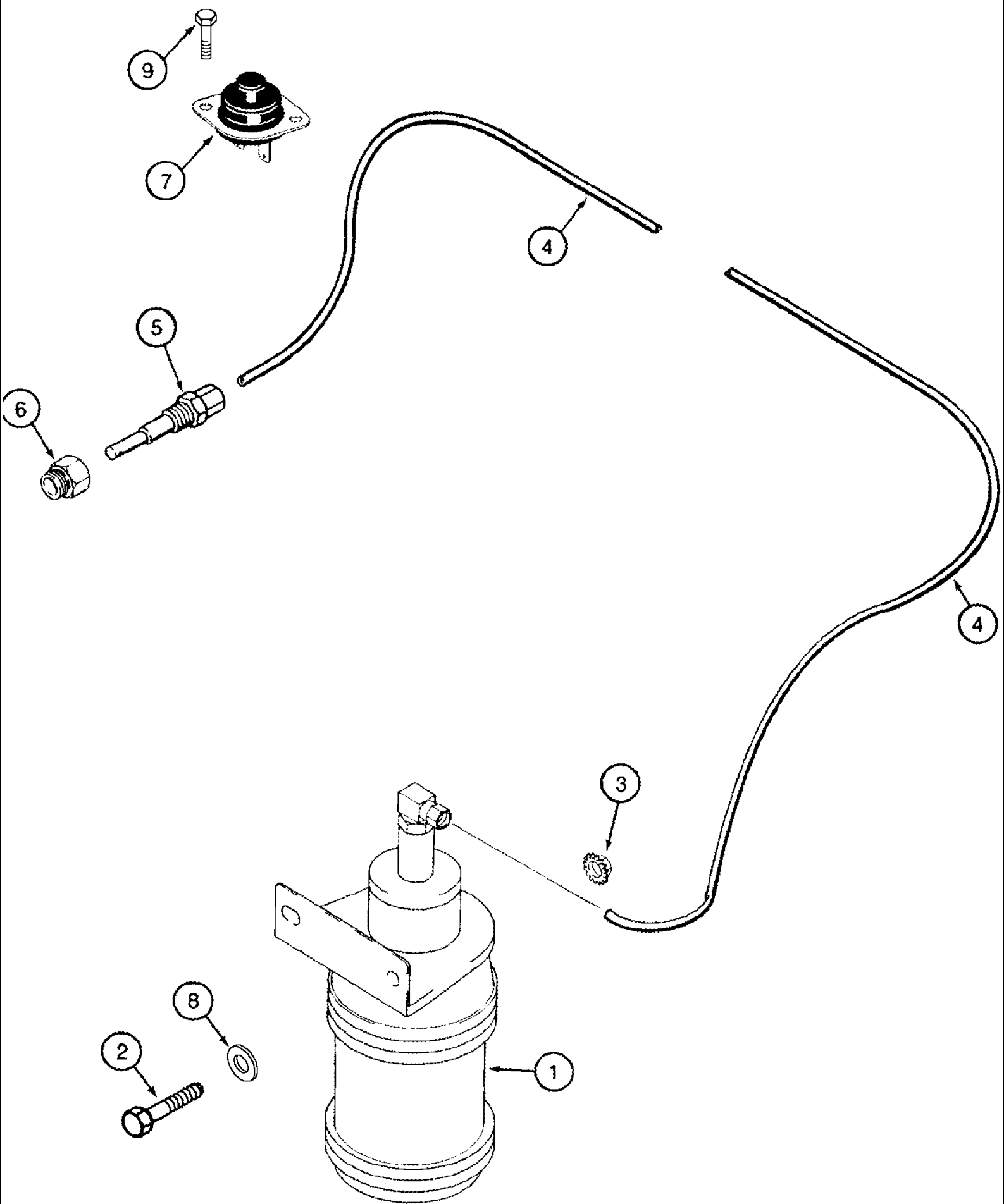
02-34 KIT ENGINE OVERHAUL



02-34 KIT ENGINE OVERHAUL

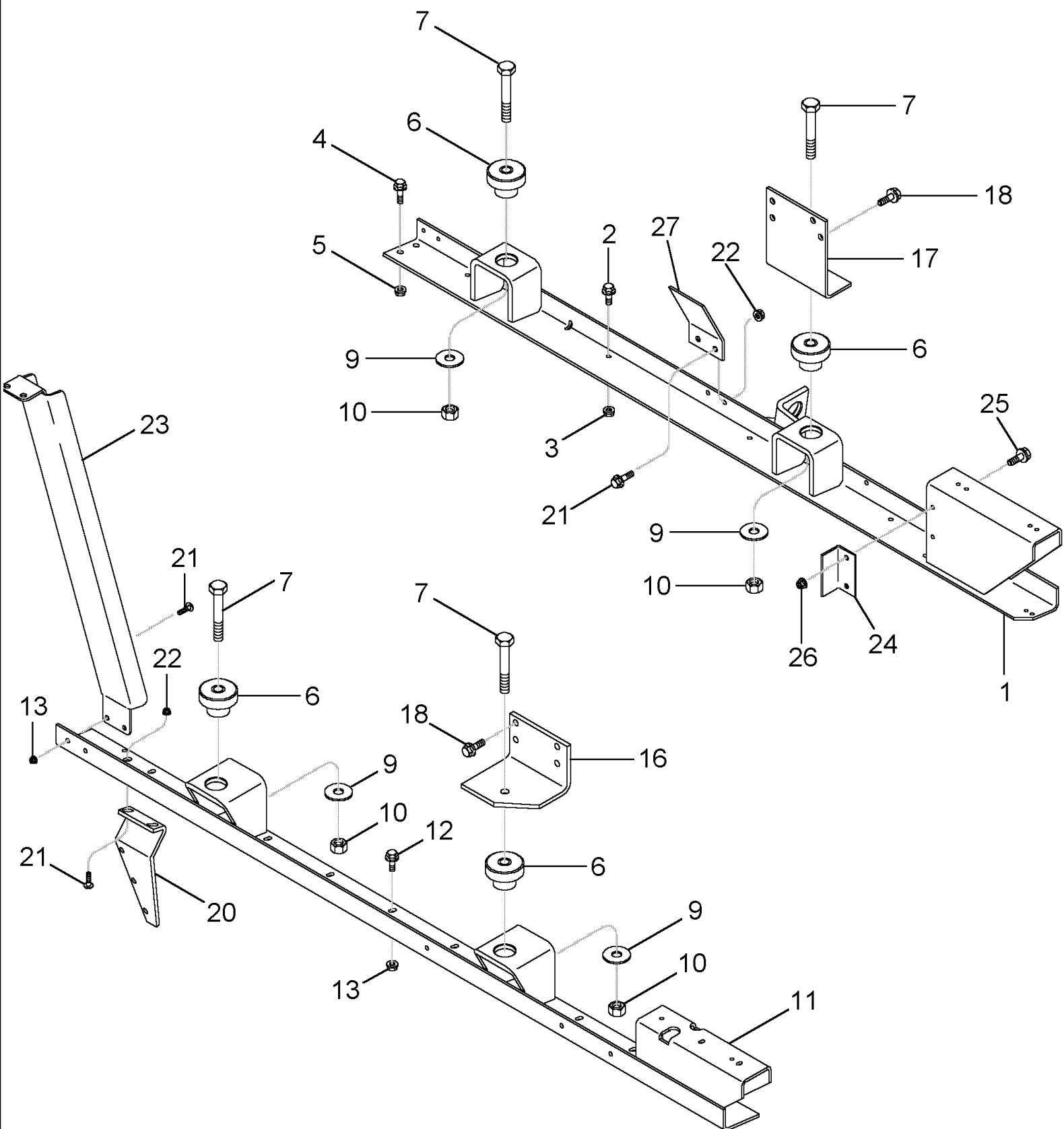
Ref	Part Number	Qty	Description
	A78017	1	KIT, REPAIR, Engine Overhaul, Inc. 1 - 8
1	A77912	6	PACKAGE, REPAIR, Piston, Rings and Sleeve, See Figure 02-28
2	87443389	6	BEARING LINER, Connecting Rod, Standard, See Figure 02-28
3	J934046	6	PIN, PISTON, Piston, See Figure 02-28
4	J945930	6	BEARING, CRANKSHAFT, Main, Standard, See Figure 02-27
5	J945929	1	BEARING, CRANKSHAFT, Thrust, Standard, See Figure 02-27
6	A78042	1	KIT, Valve Grind, See Figure 02-32
7	J943366	1	GASKET, CYLINDER HEAD, , See Figure 02-22
8	J938160	1	GASKET, Oil Pan, See Figure 02-20

02-35 ETHER START SYSTEM



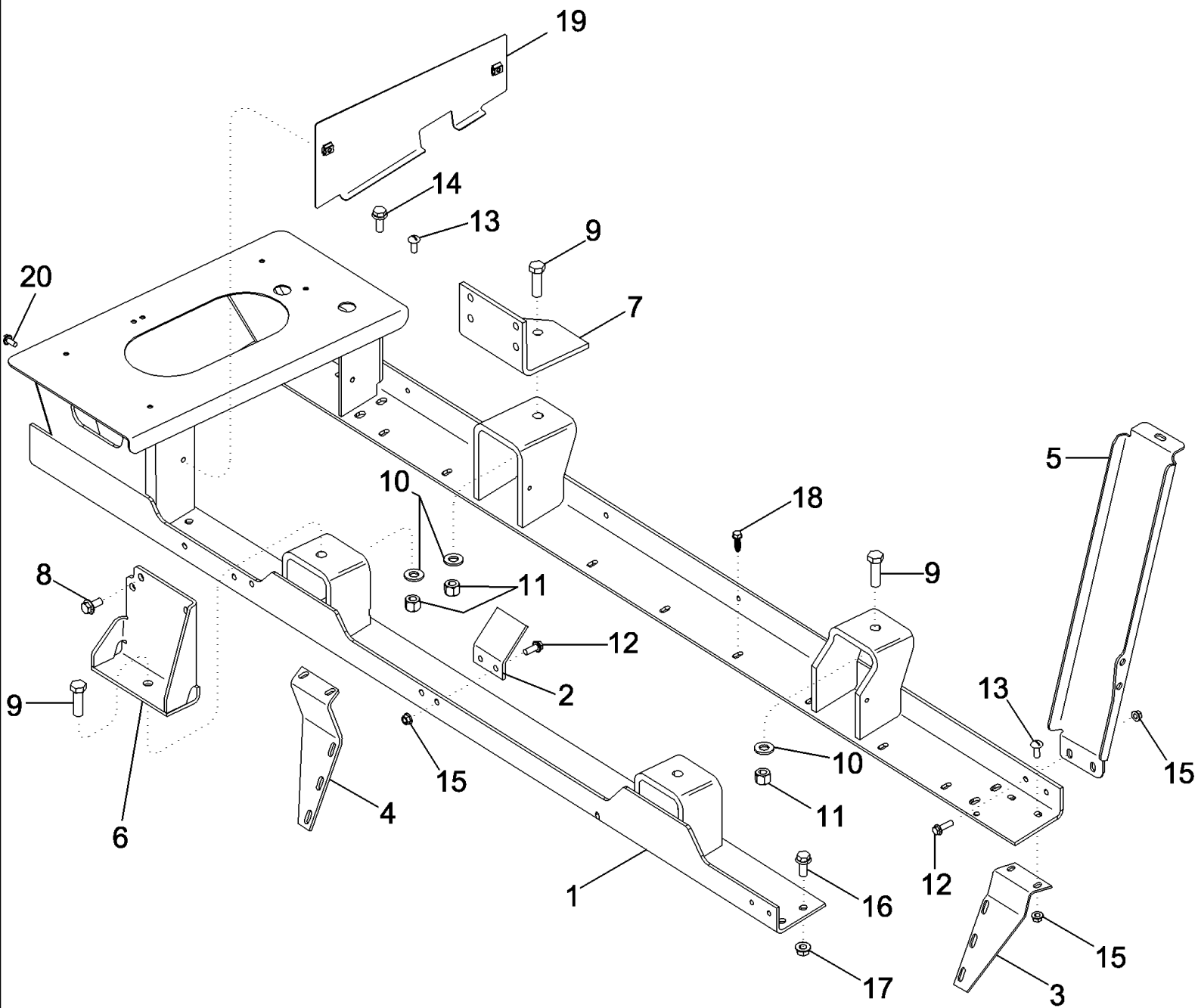
02-35 ETHER START SYSTEM

Ref	Part Number	Qty	Description
1	185552A2	1	SOLENOID, 12V, Inc. 1A
1A	190752A1	1	HOUSING, (Not Shown)
2	477-73116	2	SCREW, Slt'd Serr Truss Hd, 5/16"-18 x 1",
3	231-5145	4	NUT, Flg, USR, 5/16"-18,
4	87402718	1	TUBE, 2438 mm (96"), Cut from 1954063CX
5	A172900	1	NOZZLE CAP,
6	217-40	1	REDUCER, 1/4"-18 NPTF x 1/8"-27 Fem NPTF,
7	D67872	1	SWITCH, Ether Start
8	495-81120	2	WASHER, .344" x 1 1/4" x .120",
9	281-5358	2	SCREW, SELF TAPPING, Hex Wash Hd, #10 x 1/2",



02-36 MOUNTING, ENGINE - BSN HAJ303001

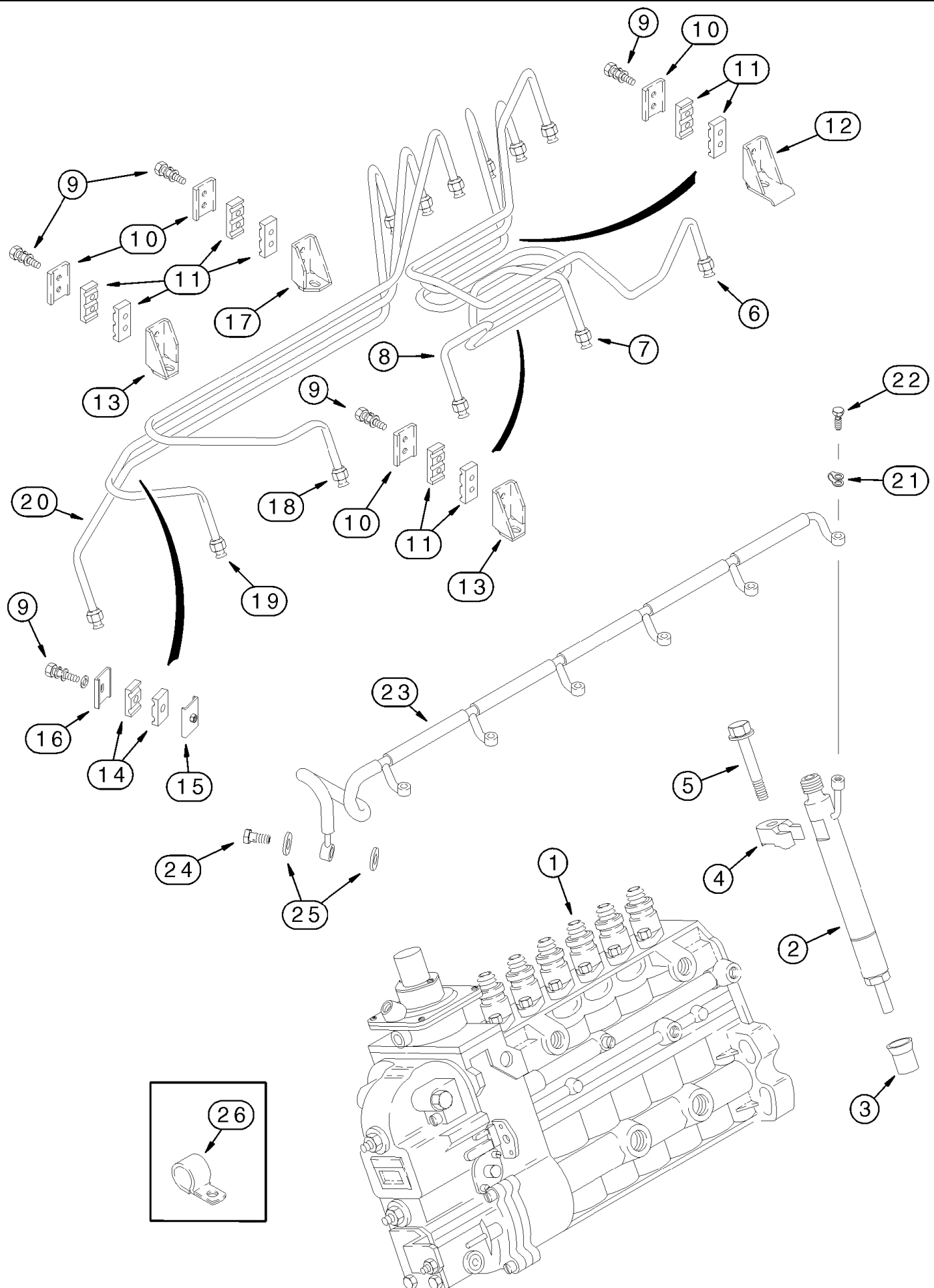
Ref	Part Number	Qty	Description
1	87309818	1	MOUNT, ENGINE, Left Hand
2	409-7612	4	BOLT, Hex Flg, 3/8"-16 x 3/4", Serr,
3	231-5146	4	NUT, Flg, USR, 3/8"-16,
4	409-7820	4	BOLT, Hex Flg, 1/2"-13 x 1 1/4", Serr,
5	231-5148	4	NUT, Flg, USR, 1/2"-13,
6	194915C2	4	ISOLATOR,
7	413-1056	4	BOLT, Hex, 5/8"-11 x 3 1/2", G5,
8	413-1052	8	BOLT, Hex, 5/8"-11 x 3 1/4", G5,
9	107813R1	4	WASHER, 21/32" x 2-1/2" x 11/64"
10	231-41110	4	NUT, LOCK, 5/8"-11, GB,
11	87427481	1	HANDRAIL, Right Hand
12	409-7612	9	BOLT, Hex Flg, 3/8"-16 x 3/4", Serr,
13	231-5146	9	NUT, Flg, USR, 3/8"-16,
14	409-7820	4	BOLT, Hex Flg, 1/2"-13 x 1 1/4", Serr,
15	231-5148	4	NUT, Flg, USR, 1/2"-13,
16	400752A1	1	BRACKET, Right Hand Front
17	400753A1	1	BRACKET, Left Hand Front
18	857-12025	8	BOLT, Hex Flg, M12 x 25, 10.9,
19	1330098C2	1	SUPPORT, Left Hand
20	87416055	1	SUPPORT, Right Hand
21	409-7616	4	BOLT, Hex Flg, 3/8"-16 x 1", Serr,
22	231-5146	4	NUT, Flg, USR, 3/8"-16,
23	237714A1	1	SUPPORT, Rear Engine Deck
24	86985754	2	SUPPORT,
25	409-7512	6	BOLT, Hex Flg, 5/16"-18 x 3/4", Serr,
26	231-5145	4	NUT, Flg, USR, 5/16"-18,
27	1977212C1	1	BRACKET, Oil Drain Shield
28	477-73816	4	SCREW, Sltd Serr Truss Hd, 3/8" x 1",



02-37 MOUNTING, ENGINE - ASN HAJ303001

Ref	Part Number	Qty	Description
1	87634172	1	MOUNT, ENGINE,
2	1977212C1	1	BRACKET, Oil Drain Shield
3	1330098C2	1	SUPPORT, Separator Side
4	87416055	1	SUPPORT, Separator Side
5	237714A1	1	SUPPORT, Rear Engine Deck
6	87637847	1	BRACKET, Engine, Front
7	400752A1	1	BRACKET, Engine Front, Right Hand
8	857-12025	8	BOLT, Hex Flg, M12 x 25, 10.9,
9	413-1040	4	BOLT, Hex, 5/8"-11 x 2 1/2", G5,
10	86624189	4	WASHER, 21/32" x 1 5/16" x .150",
11	231-41110	4	NUT, LOCK, 5/8"-11, GB,
12	409-7616	8	BOLT, Hex Flg, 3/8"-16 x 1", Serr,
13	477-73816	3	SCREW, Sltd Serr Truss Hd, 3/8" x 1",
14	409-7624	1	BOLT, Hex Flg, 3/8"-16 x 1 1/2", Serr,
15	231-5146	12	NUT, Flg, USR, 3/8"-16,
16	409-7820	8	BOLT, Hex Flg, 1/2"-13 x 1 1/4", Serr,
17	231-5148	8	NUT, Flg, USR, 1/2"-13,
18	1327545C1	8	SCREW,
19	NSS	1	NOT SERVICED SEPARATELY, SHEET, Block Off With Rivet Nuts
20	409-7512	2	BOLT, Hex Flg, 5/16"-18 x 3/4", Serr,

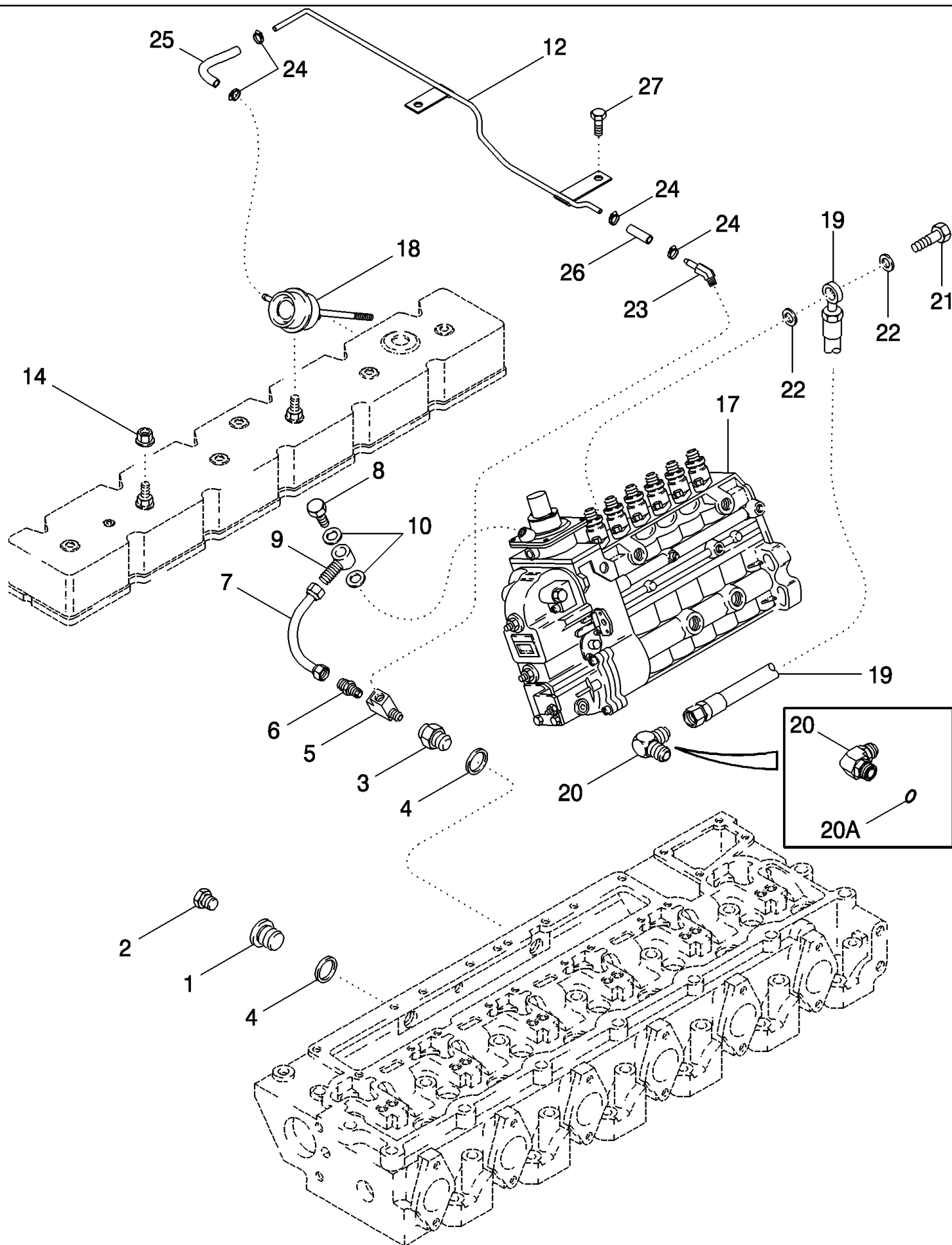
03-01 FUEL INJECTION SYSTEM



03-01 FUEL INJECTION SYSTEM

Ref	Part Number	Qty	Description
1	87402490	1	PUMP, FUEL INJECTION, , See Figure 03-04
2	J931735	6	INJECTOR, FUEL SYSTEM, , See Figure 03-05
3	J909886	6	SEAL,
4	J910279	6	CLAMP,
5	845-8080	6	BOLT, Hex Flg, M8 x 80, 8.8,
6	J930391	1	PIPE INJECTION, No. 1
7	J930392	1	PIPE INJECTION, No. 2
8	J930393	1	PIPE INJECTION, No. 3
9	J920854	9	SCREW, Hex Hd, M5 x .8 x 20, w/LW,
10	J991275	4	BRACKET,
11	J917747	8	CLAMP,
12	J919622	1	BRACE,
13	J282942	1	BRACKET,
14	J917746	2	CLAMP,
15	J991277	1	BRACE,
16	J991276	1	BRACE,
17	J282942	1	BRACKET,
18	J930394	1	PIPE INJECTION, No. 4
19	J930395	1	PIPE INJECTION, No. 5
20	J930396	1	PIPE INJECTION, No. 6
21	J903380	6	SEAL,
22	J905307	6	BOLT, BANJO, M6 x 1 x 14.3,
23	J920595	1	TUBE ASSY.,
24	J924726	1	BOLT, BANJO,
25	J918188	2	WASHER,
26	515-2363	1	CLAMP, M6.3, Insul, 3/8" Bolt,

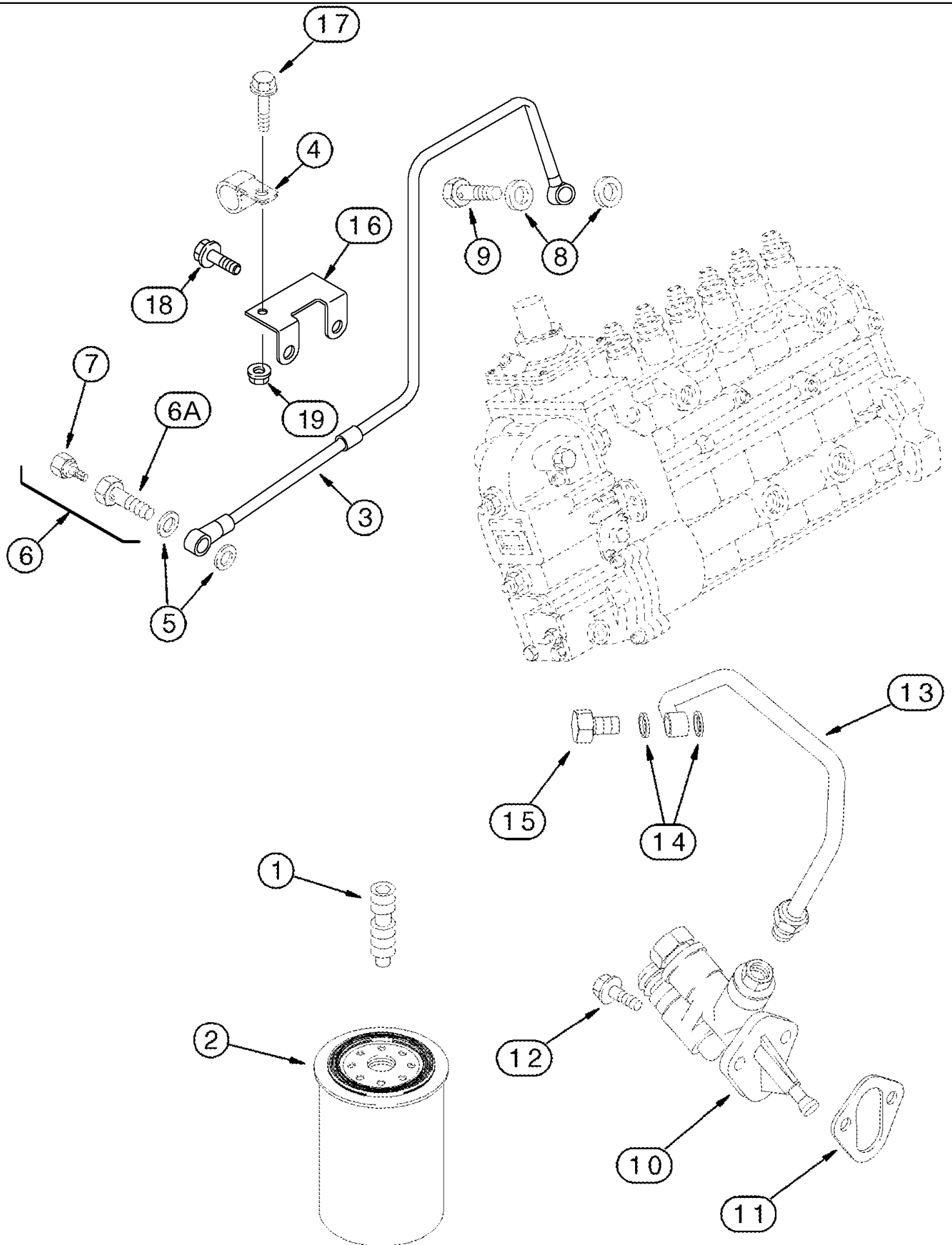
03-02 WASTEGATE SYSTEM



03-02 WASTEGATE SYSTEM

Ref	Part Number	Qty	Description
1	J924148	1	PLUG,
2	217-432	1	PLUG, Hex Soc, 1/4"-18,
3	J921594	1	PLUG,
4	J902425	2	WASHER,
5	J930789	1	TEE, Tee, 1/8 x 1/8 x 1/8
6	222-21	1	FITTING, 7/16"-24 x 1/8" NPTF,
7	J991512	1	TUBE, 120 mm
8	J903035	1	BOLT, BANJO, M12 x 24
9	J990881	1	CONNECTION, Banjo
10	87415913	2	WASHER, SEALING, 12 mm
12	87559978	1	TUBE, Air Fuel Control
14	825-2408	1	NUT, M8 x 1.25, Flg, Cl 8, Replaces 825-2410
17	87402490	1	PUMP, FUEL INJECTION, , See Figure 03-04
18	REF	1	INSTRUCTION, Actuator, See Figure 02-18
19	J930690	1	HOSE, 420 mm (16-1/2 in)
20	J945212	1	ELBOW,
20A	637-72081	1	O-RING, Cl 7, 8.1MM ID x 1.6 Thk,
21	J918002	1	BOLT, BANJO,
22	J918190	2	WASHER, SEALING, 10 x 15,5 x 1 mm
23	217-281	1	FITTING, 45c, 1/4" Hose x 1/8" NPTF, Barbed,
24	214-1404	4	CLAMP, HOSE, #4, 0.25/0.62 Type M Worm,
25	J938056	1	HOSE, Cut 51 mm (2 in) From J991038
26	87560017	1	HOSE,
27	615-8012	1	BOLT, Hex, M8 x 12, 8.8, Full Thd,

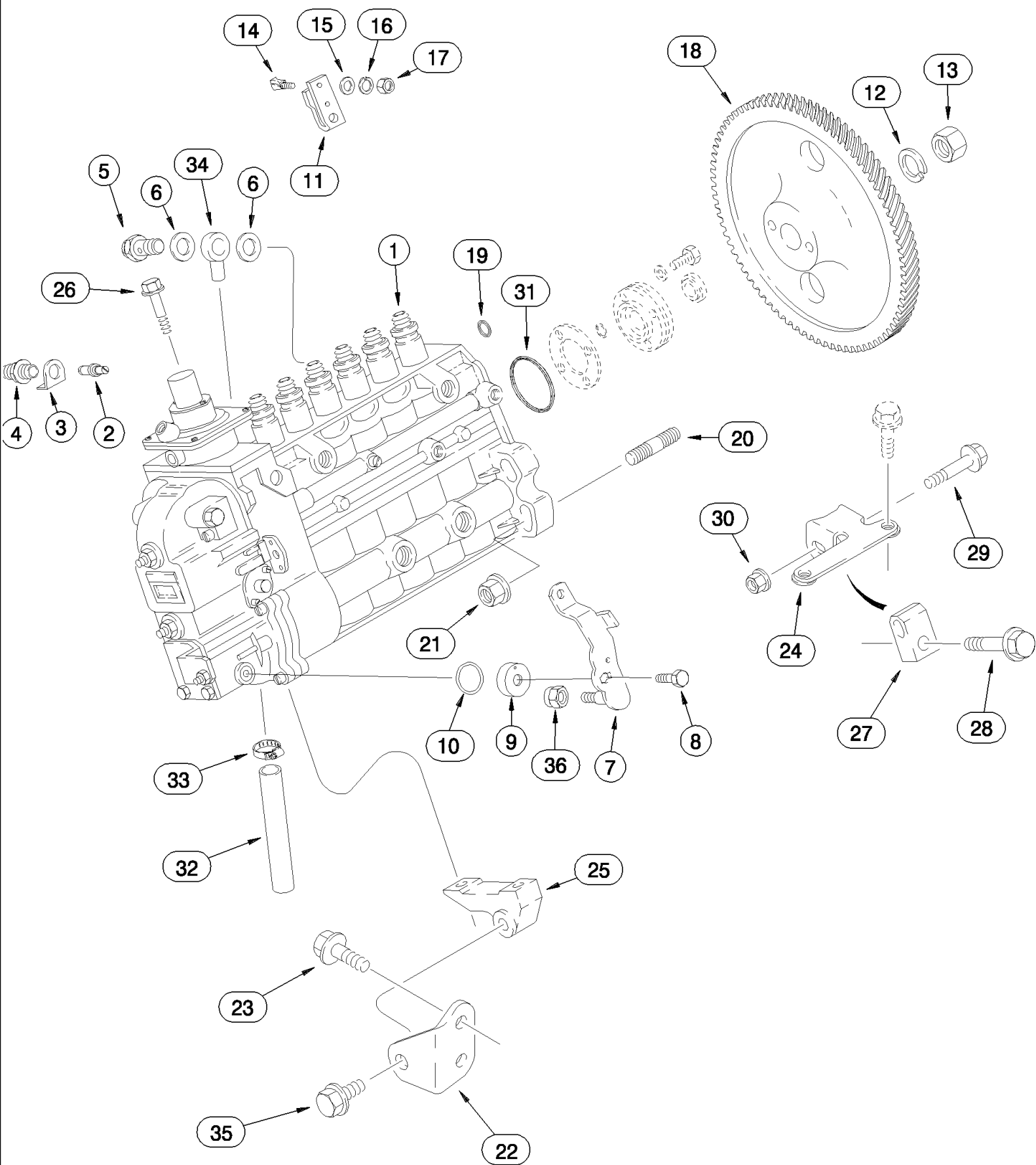
03-03 FUEL FILTER - PUMP, TRANSFER



03-03 FUEL FILTER - PUMP, TRANSFER

Ref	Part Number	Qty	Description
1	J925954	1	ADAPTER,
2	J931063	1	FILTER, FUEL,
3	87436149	1	TUBE, Fuel Supply, Combination Flexible Hose and Rigid Tube
4	515-2363	1	CLAMP, M6.3, Insul, 3/8" Bolt,
5	J918192	2	RING, PACKING, 14 mm
6	J905860	1	SCREW, Inc. 6A, 7
6A	J911446	1	BOLT, BANJO, M12 x 1.5 x 24,
7	J939570	1	SCREW, BLEED, M6 x 10
8	J863988	1	WASHER, SEALING, Sealing
9	J924725	1	BOLT, BANJO,
10	J936316	1	PUMP, FUEL,
11	J939258	1	GASKET,
12	J909310	2	SCREW,
13	J918539	1	TUBE,
14	87415913	2	WASHER, SEALING, 12 mm
15	J916361	1	BOLT, BANJO,
16	87436150	1	BRACKET,
17	283264A1	1	BOLT, M8 x 14; 10,9
18	J924962	2	BOLT, M8 x 16
19	825-1408	1	NUT, M8, CI 8,

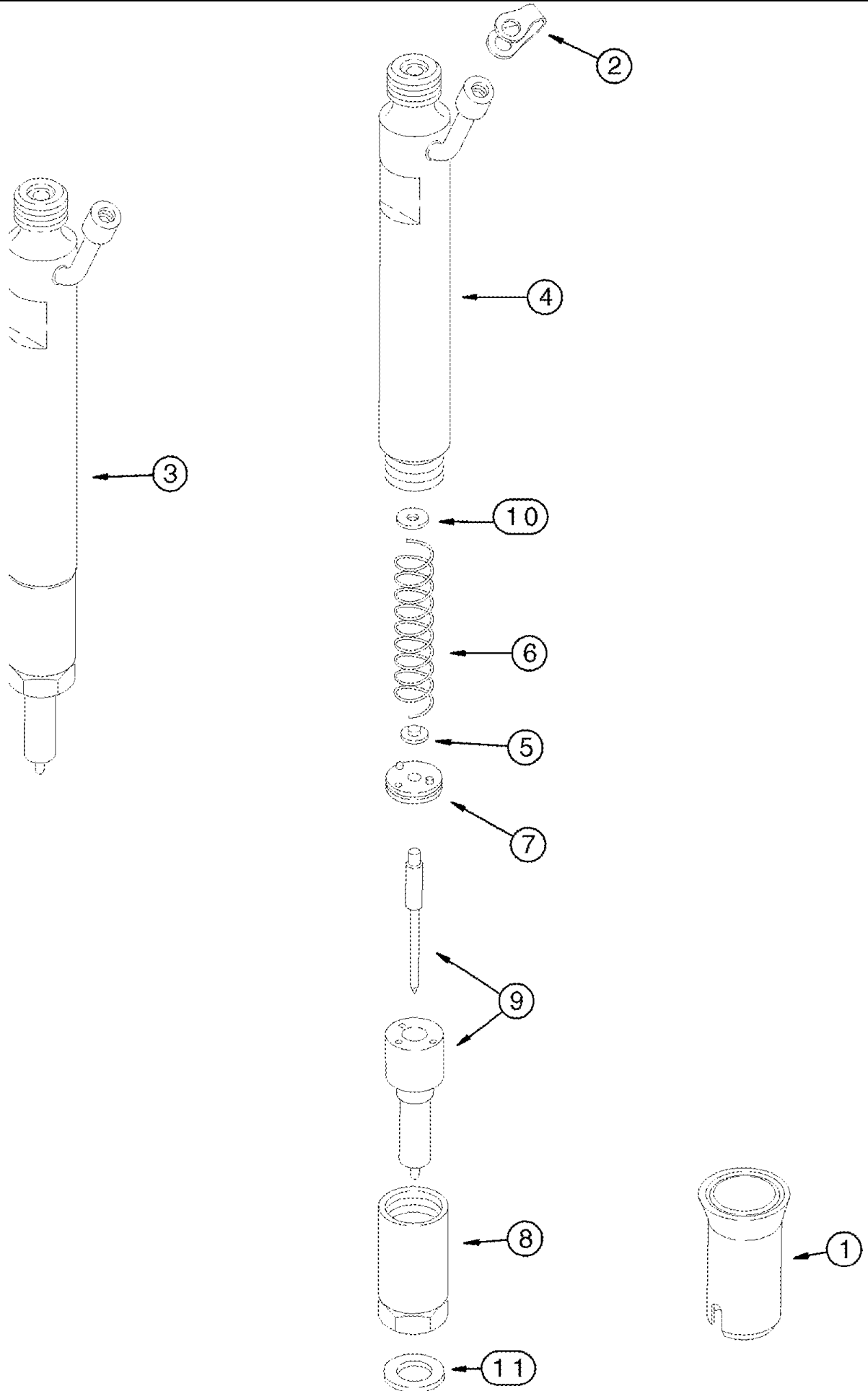
03-04 FUEL INJECTION - PUMP AND DRIVE



03-04 FUEL INJECTION - PUMP AND DRIVE

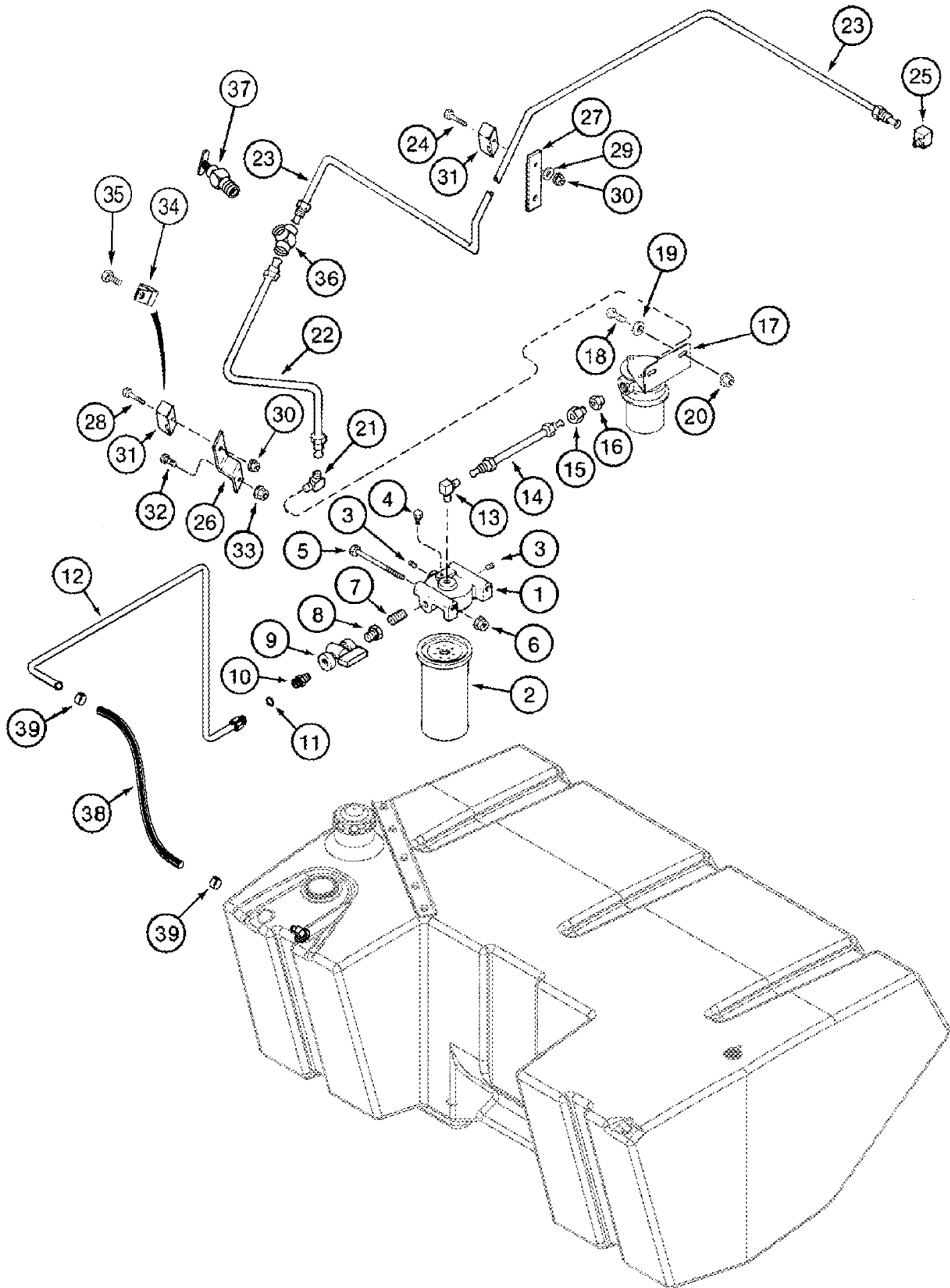
Ref	Part Number	Qty	Description
1	87402490	1	PUMP, FUEL INJECTION, New, Inc. 2 - 17, 37
1	87402491	1	REMAN-INJECTION PUMP, Remanufactured, N.A. Only
1	87402492	1	CORE-INJECTION PUMP,
2	A77720	1	PIN,
3	J928981	1	WASHER, LOCK,
4	J912888	1	PLUG, Timing
5	87409051	1	VALVE, Overflow
6	J918192	2	RING, PACKING, M14
7	J929322	1	LEVER,
8	628-6016	1	BOLT, Hex, M6 x 16, 10.9, Full Thd,
9	691292C1	1	RETAINER,
10	680187C1	1	O-RING,
11	87438537	1	LEVER,
12	J920922	1	WASHER, LOCK,
13	J920921	1	NUT, M20
14	1808822C1	1	THUMB SCREW, M6 x 26,
15	895-11006	1	WASHER, M6,
16	892-11006	1	WASHER, LOCK, M6,
17	829-1306	1	NUT, M6, CI 10,
18	J931380	1	GEAR, Drive
19	J926722	1	SEAL,
20	86991263	4	STUD, M10 x 55 mm (2-5/32 in)
21	825-2410	4	NUT, M10 x 1.5, Flg, CI 8,
22	J938091	1	SUPPORT,
23	844-10020	2	BOLT, Hex Flg, M10 x 20, 8.8,
24	J921357	1	HOLDER,
25	J926273	1	SUPPORT,
26	845-8090	2	BOLT, Hex Flg, M8 x 90, 8.8,
27	J926781	1	SUPPORT,
28	J920622	1	BOLT, Hex Flg, M10 x 30, 10.9,
29	845-8045	1	BOLT, Hex Flg, M8 x 45, 8.8,
30	J900589	1	NUT, M8
31	J924605	1	SEAL,
32	J918176	1	HOSE, 330 mm (13 in)
33	A171099	1	CLAMP, HOSE,
34	J935740	1	BOLT, BANJO, 30 Degree
35	844-10040	1	BOLT, Hex Flg, M10 x 40, 8.8,
36	J930683	1	NUT, LOCK,
37	J912890	1	SPRING, Shut Off, (Not Shown)

03-05 FUEL INJECTION - NOZZLE



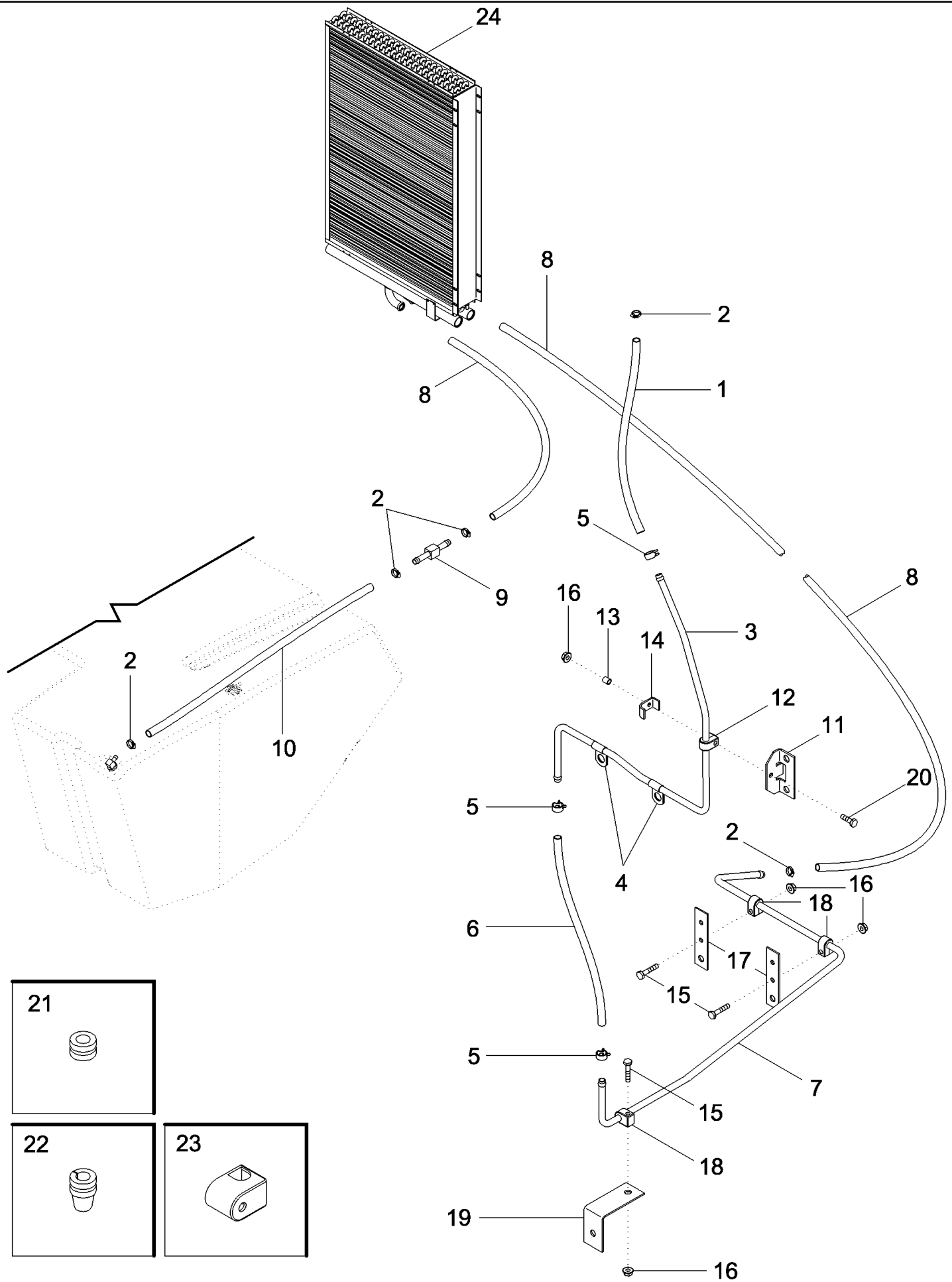
03-05 FUEL INJECTION - NOZZLE

Ref	Part Number	Qty	Description
	JR931735	6	REMAN-NOZZLE, INJECT, Remanufactured, Only For N.A.
	JC931735	6	CORE-INJECTION PUMP,
1	J909886	6	SEAL,
2	J903380	6	SEAL,
3	J931735	6	INJECTOR, FUEL SYSTEM, Inc. 4- 9
4	NSS	1	NOT SERVICED SEPARATELY, Body
5	NSS	1	NOT SERVICED SEPARATELY, Spindle
6	NSS	1	NOT SERVICED SEPARATELY, Spring
7	NSS	1	NOT SERVICED SEPARATELY, Plate
8	NSS	1	NOT SERVICED SEPARATELY, Nut
9	NSS	1	NOT SERVICED SEPARATELY, Tip, Tooth
10	1806233C1	AR	SHIM, 1.00 mm
10	1806234C1	AR	SHIM, 1.04 mm
10	1806235C1	AR	SHIM, 1.08 mm
10	1806236C1	AR	SHIM, 1.10 mm
10	1806237C1	AR	SHIM, 1.14 mm
10	1806238C1	AR	SHIM, 1.18 mm
10	1806239C1	AR	SHIM, 1.20 mm
10	1806240C1	AR	SHIM, 1.24 mm
10	1806241C1	AR	SHIM, 1.28 mm
10	1806242C1	AR	SHIM, 1.30 mm
10	1806243C1	AR	SHIM, 1.34 mm
10	1806244C1	AR	SHIM, 1.38 mm
10	1806245C1	AR	SHIM, 1.40 mm
10	1806246C1	AR	SHIM, 1.44 mm
10	1806247C1	AR	SHIM, 1.48 mm
10	1806248C1	AR	SHIM, 1.50 mm
10	1806249C1	AR	SHIM, 1.54 mm
10	1806250C1	AR	SHIM, 1.58 mm
10	1806251C1	AR	SHIM, 1.60 mm
10	1806252C1	AR	SHIM, 1.64 mm
10	1806253C1	AR	SHIM, 1.68 mm
10	1806254C1	AR	SHIM, 1.70 mm
10	1806255C1	AR	SHIM, 1.74 mm
10	1806256C1	AR	SHIM, 1.78 mm
10	1806257C1	AR	SHIM, 1.80 mm
10	1806258C1	AR	SHIM, 1.84 mm
10	1806259C1	AR	SHIM, 1.88 mm
10	1806260C1	AR	SHIM, 1.90 mm
10	1806261C1	AR	SHIM, 1.94 mm
10	1806262C1	AR	SHIM, 1.98 mm
11	J937142	6	SEAL, 7 mm injector tip



03-06 FUEL, SUPPLY

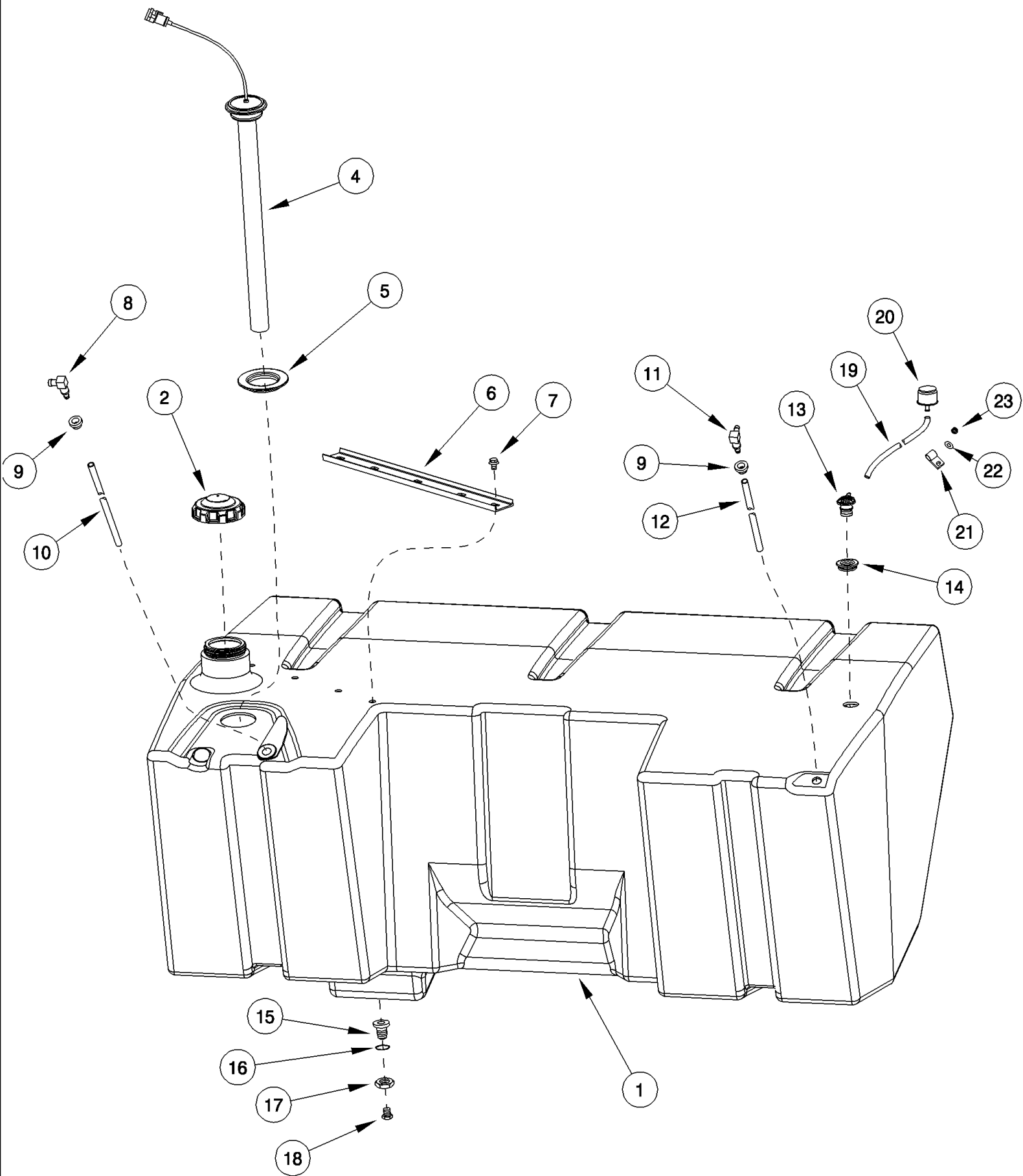
Ref	Part Number	Qty	Description
1	612277C2	1	HEAD, FILTER,
2	J931063	1	FILTER, FUEL,
3	217-86	2	PLUG, Hex Hd, 1/4"-18, Brass,
4	217-84	1	PLUG, Hex Hd, 1/8"-27, Brass,
5	424-564	2	BOLT, Hex, 5/16"-18 x 4", G2,
6	231-5145	2	NUT, Flg, USR, 5/16"-18,
7	217-1080	1	CONNECTOR, HYD., 1/4"-18 NPTF,
8	217-43	1	REDUCER, 1/2"-14 NPTF x 1/4"-18 Fem NPTF,
9	1345205C1	1	VALVE, SHUT-OFF,
10	383519A1	1	FITTING, 1/2" PT x 1/2" OR, Includes 11
11	238-6014	1	O-RING, -014, 90 Duro, .489" ID x .070" Thk,
12	399754A1	1	TUBE, Fuel Supply
13	222-1026	1	ELBOW, 90ε, 5/8"-18 Inv Fl x 1/4" NPT,
14	384401A1	1	TUBE, Filter to Pump
15	222-1016	1	CONNECTOR, HYD., 5/8"-18 Inv Fl x 1/4" NPT,
16	217-42	1	REDUCER, 3/8"-18 NPTF x 1/4"-18 Fem NPTF,
17	302867A1	1	PUMP, FUEL, Fuel Lift
18	477-73120	2	SCREW, Slt'd Serr Truss Hd, 5/16"-18 x 1 1/4",
19	496-41041	8	WASHER, 13/32" x 1 1/8" x .134",
20	231-5145	2	NUT, Flg, USR, 5/16"-18,
21	144535R1	1	ELBOW, 3/8 inv fl
22	1977001C1	1	TUBE, Lower Supply
23	86988949	1	TUBE, Upper Supply
24	413-424	1	BOLT, Hex, 1/4"-20 x 1 1/2", G5,
25	222-1026	1	ELBOW, 90ε, 5/8"-18 Inv Fl x 1/4" NPT,
26	1977005C1	1	SUPPORT,
27	1330564C1	1	PLATE,
29	495-81121	1	WASHER, .344" x 1 1/2" x .060",
30	231-5344	5	NUT, LOCK, Flg, 1/4"-20,
31	236558A1	5	CLAMP,
32	409-7516	4	BOLT, Hex Flg, 5/16"-18 x 1", Serr,
33	231-5145	4	NUT, Flg, USR, 5/16"-18,
34	515-2395	1	CLAMP, 3/8", Insul, 3/8" Bolt,
35	477-73812	1	SCREW, Slt'd Serr Truss Hd, 3/8" x 3/4",
36	408255A1	1	UNION,
37	86982771	1	VALVE, 1/4 PT
38	364782A1	1	HOSE, 300 mm (11-13/16 in)
39	1348264C1	2	CLAMP, HOSE, 3/8 ID
28	413-420	4	BOLT, Hex, 1/4"-20 x 1 1/4", G5, , Use with 236558A1



03-07 FUEL, RETURN

Ref	Part Number	Qty	Description
1	390653A1	1	HOSE, 191 mm (7-1/2 in), Cut From S118400
2	214-1706	5	CLAMP, HOSE, #6, 0.44/0.78 Type M Worm,
3	426604A2	1	TUBE, HYD,
4	515-2595	2	CLAMP, 3/8", Insul, 1/2" Bolt,
5	1348264C1	3	CLAMP, HOSE, 3/8 ID
6	87421440	1	HOSE, 124 mm (4-7/8 in), Cut From S118400
7	87404417	1	TUBE,
8	86989651	2	HOSE, 1170 mm (46 in), Cut From S118400
9	87405016	1	FITTING, Connector
10	87404885	1	HOSE, 1250 mm (49-1/4 in), Cut From S118400
11	409390A2	1	BRACKET,
12	449127A1	1	CLAMP, 3/8 ID
13	418785A1	1	SPACER,
14	449128A1	1	PLATE,
15	413-420	3	BOLT, Hex, 1/4"-20 x 1 1/4", G5,
16	231-5344	3	NUT, LOCK, Flg, 1/4"-20,
16	231-5144	1	NUT, Flg, USR, 1/4"-20,
17	87404841	2	SUPPORT,
18	236558A1	3	CLAMP,
19	178950C2	1	ANGLE,
20	326-424	1	BOLT, Hex, 1/4"-20 x 1 1/2", G8,
21	198824C1	2	GROMMET, 1/2 ID
22	198828C1	1	GROMMET, 1 in
23	196447C1	1	CLAMP, 1/2 Tube
24	REF	1	INSTRUCTION, Cooler, Oil , See Figure 08-05

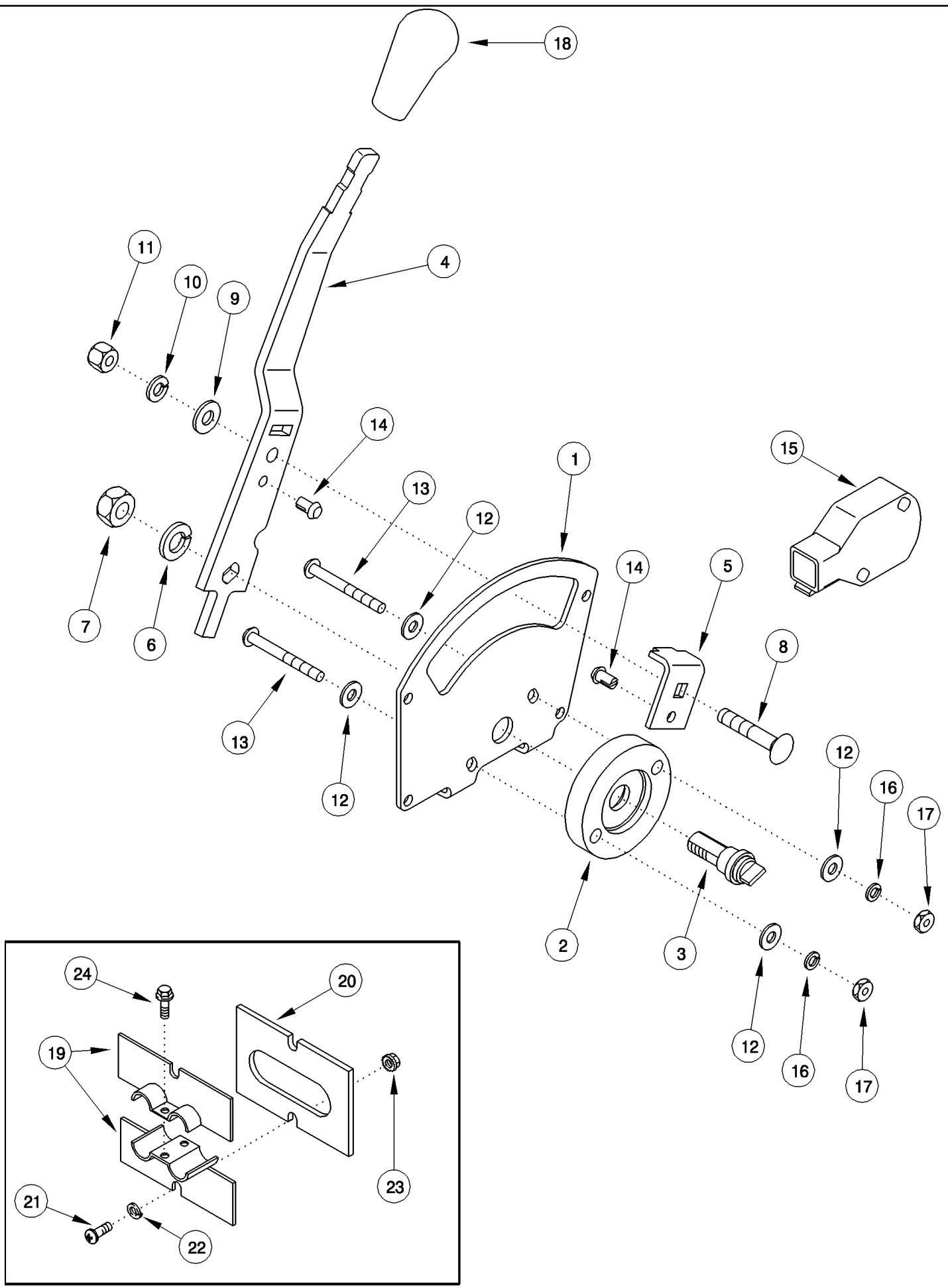
03-08 FUEL TANK



03-08 FUEL TANK

Ref	Part Number	Qty	Description
	87348514	1	FUEL TANK, 170 Gal., Inc. 1 - 18
1	349601A3	1	FUEL TANK,
2	257349A1	1	CAP, FILLER,
4	87332223	1	SENDER UNIT, Fuel Level
5	255095A1	1	GROMMET,
6	402197A1	1	SUPPORT,
7	409-768	5	BOLT, Hex Flg, 3/8"-16 x 1/2", Serr,
8	392075A1	1	ELBOW,
9	394692A1	2	GROMMET,
10	392076A1	1	TUBE,
11	392077A1	1	ELBOW,
12	392078A1	1	TUBE,
13	86999948	1	VALVE, SAFETY,
14	86999947	1	GROMMET,
15	282708A1	1	FITTING,
16	238-5214	1	O-RING, -214, 70 Duro, .984" ID x .139" Thk,
17	282709A1	1	NUT,
18	217-407	1	PLUG, Hex Hd, 3/8"-18,
19	NS	1	NOT SERVICED, TUBE Fuel Vent, 1475 mm (58-1/8 in), Cut From 87311634
20	316078A2	1	BREATHER,
21	515-23412	1	CLAMP, 1 5/8", Insul, 3/8" Bolt,
23	231-5145	1	NUT, Flg, USR, 5/16"-18,
22	495-11034	1	WASHER, 5/16", SAE,
23	231-5145	1	NUT, Flg, USR, 5/16"-18,
24	214-1704	2	CLAMP, HOSE, #4, 0.25/0.62 Type M Worm, (Not Shown)

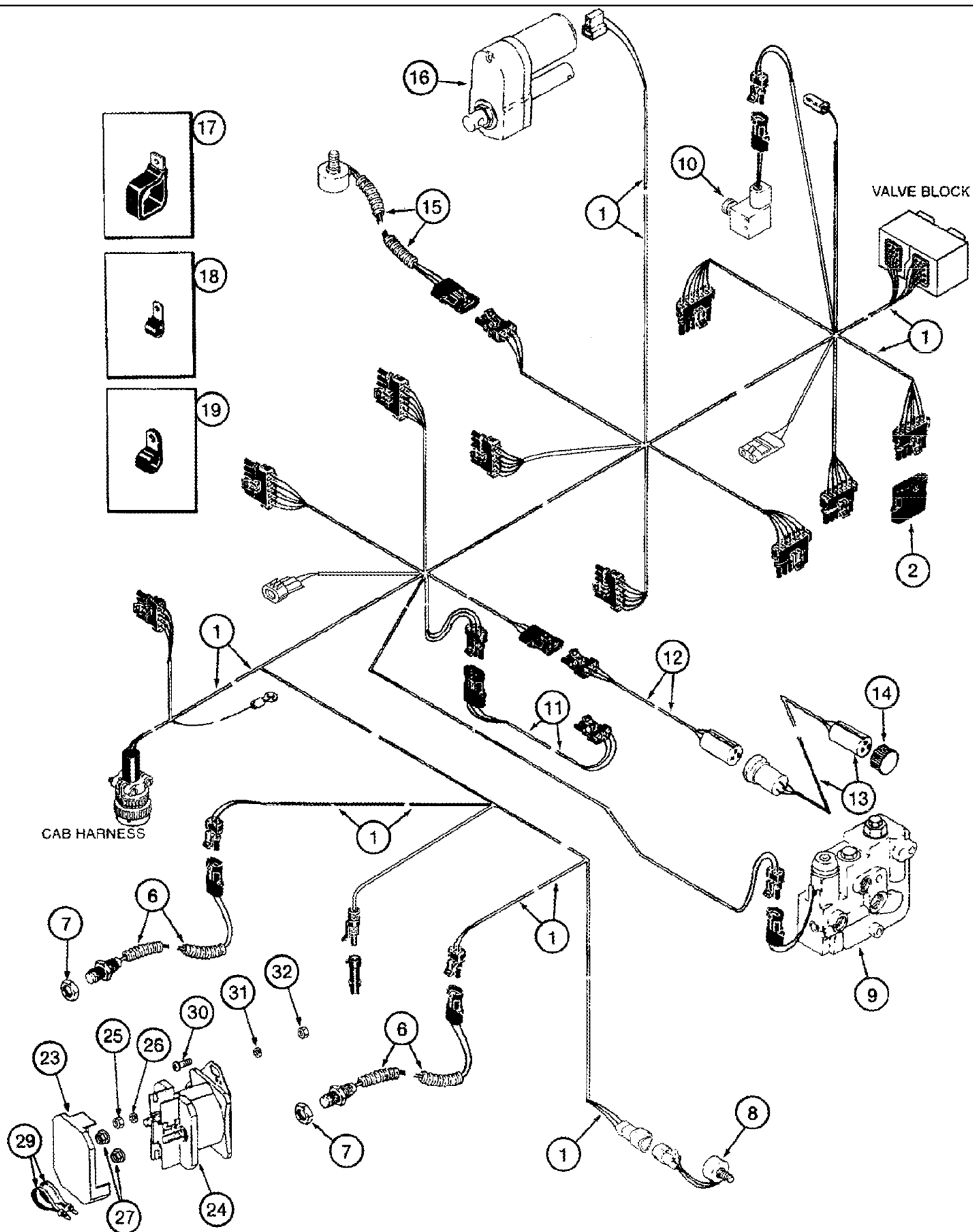
03-09 THROTTLE CONTROL



03-09 THROTTLE CONTROL

Ref	Part Number	Qty	Description
1	344988A1	1	PLATE, Throttle Control
2	302688A1	1	SPACER, Potentiometer
3	344990A1	1	PIN, Drive
4	344989A1	1	LEVER, Throttle
5	344991A1	1	BRACKET,
6	892-11010	1	WASHER, LOCK, M10,
7	829-1410	1	NUT, M10, CI 10,
8	411-424	1	BOLT, CARRIAGE, Short NK, 1/4"-20 x 1 1/2", G2,
9	495-11028	1	WASHER, 1/4", SAE,
10	492-11025	1	WASHER, LOCK, 1/4",
11	231-1444	1	NUT, LOCK, 1/4"-20, GB,
12	495-31022	4	WASHER, #10,
13	440-11028	2	SCREW, Cross Pan Hd, #10-24 x 1 3/4",
14	259040A1	2	INSERT,
15	231426A1	1	POTENTIOMETER,
16	492-11010	2	WASHER, LOCK, #10,
17	225-14110	2	NUT, #10-24,
18	134071A1	1	KNOB,
19	119314A1	2	CLAMP,
20	119328A1	1	GASKET,
21	117067A1	2	SCREW, SELF TAPPING, Cross Pan Hd, #10-24 x 3/4",
22	492-11010	2	WASHER, LOCK, #10,
23	231-51409	2	NUT, Flg, USR, #10-24,
24	191216A1	2	SCREW, SELF TAPPING, Hex Wash Hd, #10-24 x 5/8",

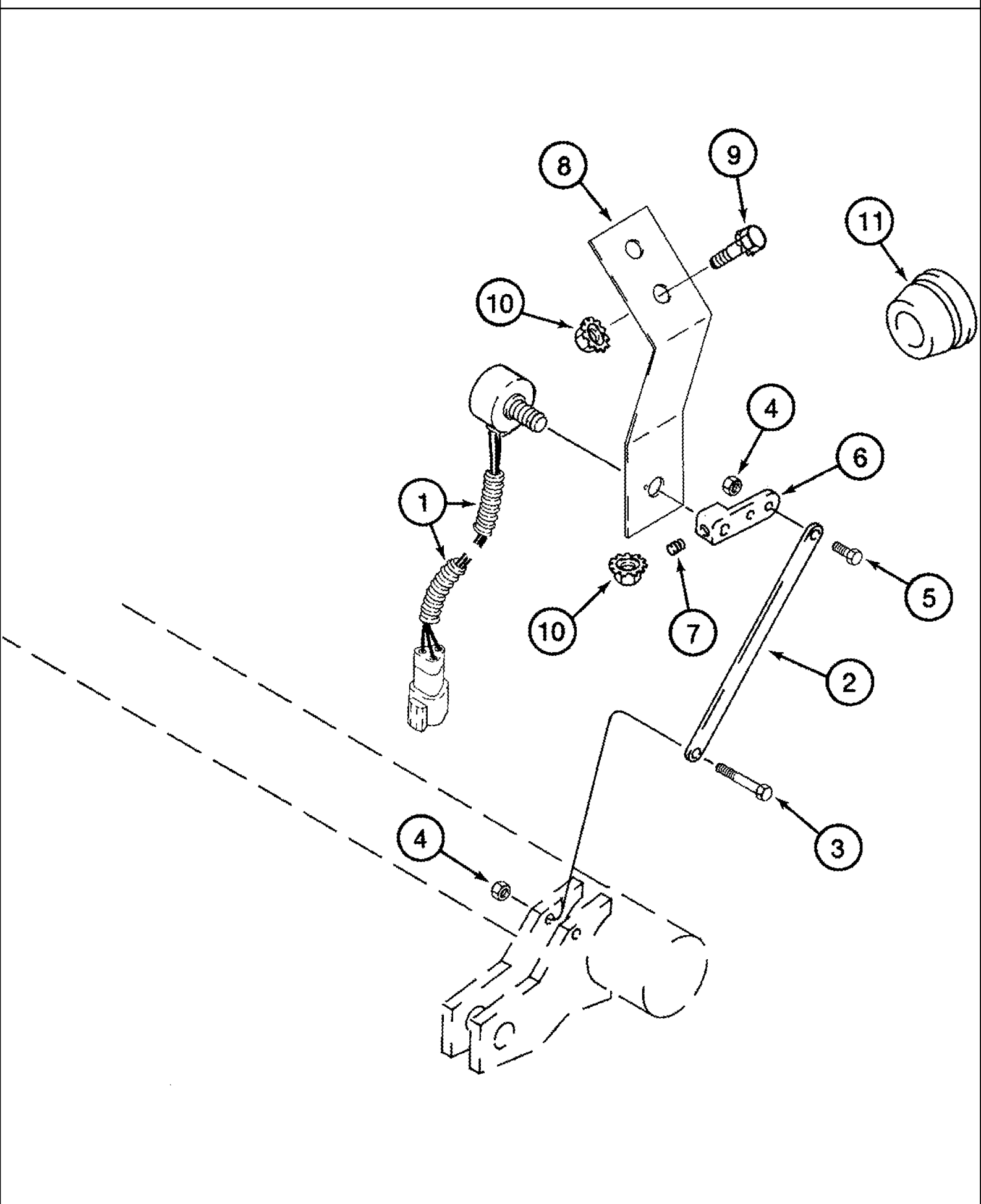
04-01 HARNESS - FRONT



04-01 HARNESS - FRONT

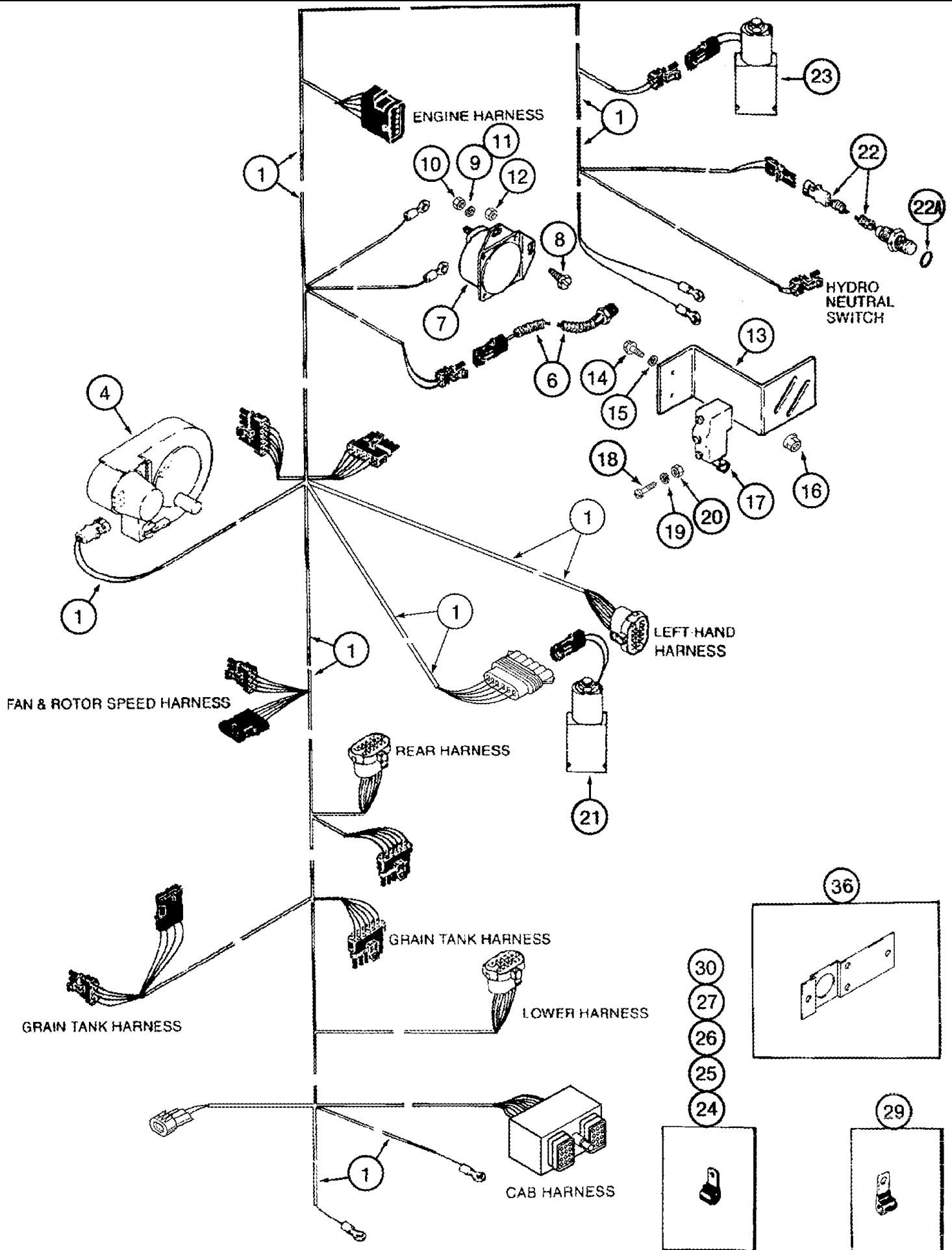
Ref	Part Number	Qty	Description
1	87309736	1	HARNESS, WIRE, Front, Inc. 2 - 4
2	127290A1	1	DIODE,
3	187308A1	6	CAP, (Not Shown)
4	187309A1	6	BAR, Splice, (Not Shown)
6	245193C2	2	SENSOR, Rotor Speed, Feeder Speed
7	425-1512	2	NUT, Jam, 3/4"-10, G5,
8	122756A3	1	POTENTIOMETER, 1K, Feeder Position, For Mounting, See Figure 04-21
9	87374793	1	VALVE, Reel Drive, See Figure 08-20
10	368154A1	1	VALVE, CONTROL, Accumulator, See Figure 08-31
11	142570A1	1	HARNESS, WIRE, Header Lighting
12	142553A1	1	HARNESS, WIRE, Automatic Header Height Control
13	1331312C1	1	HARNESS, WIRE, Extension, Header Height Control, If Used
14	225290C1	1	DUST CAP, Header Height Control Harness
15	122756A3	1	POTENTIOMETER, 1K, Concave Position, For Mounting, See Figure 04-02
16	143239A2	1	MOTOR, ELECTRIC, Concave Control, For Mounting, See Figure 09B-19
17	1301387C2	1	CLIP, 2 in ID
18	516-23127	6	CLAMP, J, 9/16" Insul, 3/8" Bolt,
18	515-2395	1	CLAMP, 3/8", Insul, 3/8" Bolt,
	409-7512	1	BOLT, Hex Flg, 5/16"-18 x 3/4", Serr,
	231-5145	1	NUT, Flg, USR, 5/16"-18,
19	515-23254	1	CLAMP, 1", Insul, 3/8" Bolt,
20	844-8025	1	BOLT, Hex Flg, M8 x 25, 8.8, (Not Shown)
21	825-2408	1	NUT, M8 x 1.25, Flg, Cl 8, (Not Shown)
22	142533A1	1	SUPPORT, (Not Shown), With Field Tracker, With Accumulator
	178149A1	1	SWITCH, SOLENOID, Inc. 23 - 29
23	178148A1	1	COVER,
24	183038A1	1	SWITCH, SOLENOID, Switch
25	225-14210	1	NUT, #10-32, Battery Cable to Solenoid Terminal 30
26	492-11010	1	WASHER, LOCK, #10,
27	231-5145	2	NUT, Flg, USR, 5/16"-18,
27	825-2405	1	NUT, M5 x .8, Flg, Cl 8, Harness to Solenoid Terminal 50
28	892-11005	1	WASHER, LOCK, M5, (Not Shown)
29	L18331	2	STRAP, CABLE, 15 in
29	435437A1	5	STRAP, CABLE, 3/16" x 7 1/4", 7 in
30	281-1458	2	SCREW, SELF TAPPING, Hex Wash Hd, #10 x 1/2",
31	492-11031	2	WASHER, LOCK, 5/16",
32	425-105	2	NUT, 5/16"-18, G5,
33	492-11010	1	WASHER, LOCK, #10,
34	225-14210	1	NUT, #10-32,

04-02 POTENTIOMETER, CONCAVE POSITION - MOUNTING



04-02 POTENTIOMETER, CONCAVE POSITION - MOUNTING

Ref	Part Number	Qty	Description
1	122756A3	1	POTENTIOMETER, 1K, Concave Position, Note: See Figure 04-01 For Front Harness
2	181760A2	1	LEVER,
3	463-11024	1	SCREW, Hex Hd, #10-24 x 1 1/2",
4	230-42409	2	NUT, LOCK, #10-24, GA,
5	463-11010	1	SCREW, Hex Hd, #10-24 x 5/8",
6	131175A1	1	ARM,
7	483-1084	1	SET SCREW, Hex Soc, #8-32 x 1/4",
8	142402A2	1	SUPPORT,
9	409-7512	2	BOLT, Hex Flg, 5/16"-18 x 3/4", Serr,
10	231-5145	2	NUT, Flg, USR, 5/16"-18,
11	198824C1	1	GROMMET, 1/2 ID



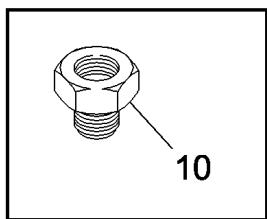
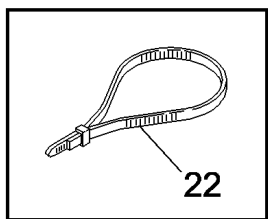
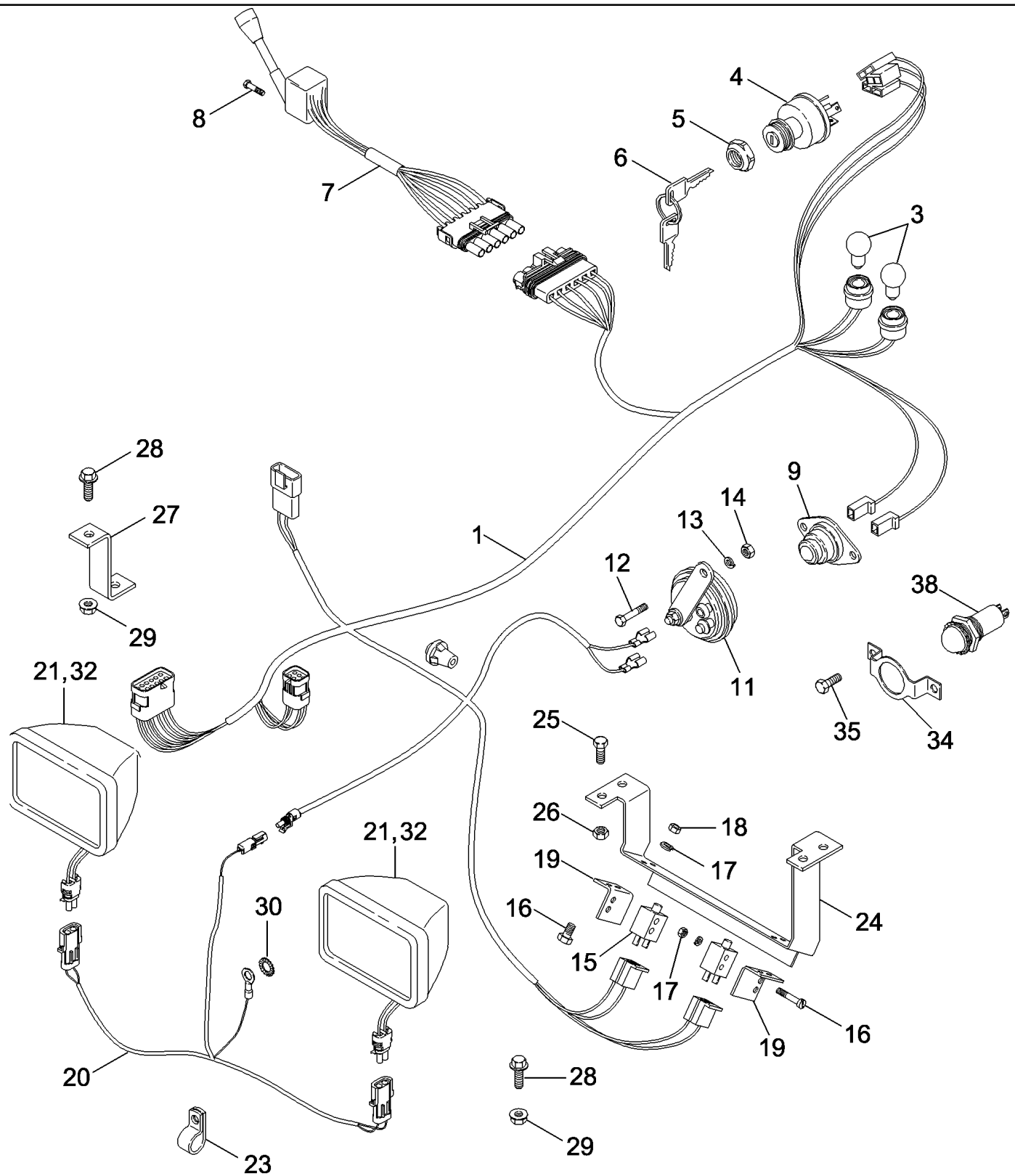
04-03 HARNESS, CENTER

Ref	Part Number	Qty	Description
1	87361204	1	HARNESS, WIRE, Center, Inc. 2, 3, BSN HAJ301000
1	87639483	1	HARNESS, WIRE, Center, Inc. 2, 3, ASN HAJ301000
2	187308A1	4	CAP, (Not Shown)
3	187309A1	4	BAR, Splice, (Not Shown)
4	127813A1	1	LAMP, Service, Reel, Inc. 5
5	H40556	1	BULB, 12V, (Not Shown)
6	122428A1	1	SWITCH, Hydraulic Oil Level
7	178149A1	1	SWITCH, SOLENOID, , See Figure 04-01
8	276-1458	2	SCREW, SELF TAPPING, Hex Hd, #10 x 1/2",
9	492-11031	2	WASHER, LOCK, 5/16",
10	425-105	2	NUT, 5/16"-18, G5,
11	492-11010	1	WASHER, LOCK, #10,
12	225-14210	1	NUT, #10-32,
13	141944A1	1	SUPPORT,
14	409-7412	2	BOLT, Hex Flg, 1/4"-20 x 3/4", Serr,
15	492-11031	2	WASHER, LOCK, 5/16",
16	231-5144	2	NUT, Flg, USR, 1/4"-20,
17	141655A1	1	SWITCH, Unloader In
18	470-10620	2	SCREW, Slotted Pan Hd, #6-32 x 1 1/4",
19	280384	2	WASHER, LOCK, Int Tooth, #6,
20	225-14106	2	NUT, #6-32,
21	384307A1	1	VALVE, SOLENOID, Unloader Clutch, See Figure 08-25
22	177678A1	1	SWITCH, Hydraulic Oil Temperature, Inc. 22A
22A	237-6008	1	O-RING, 8-1, 90 Duro, .644" ID x .087" Thk,
23	275986A2	1	VALVE, Separator Clutch, See Figure 08-27
24	515-25476	2	CLAMP, 1 7/8", Insul, 1/2" Bolt,
25	515-23381	5	CLAMP, 1 1/2", Insul, 3/8" Bolt,
	434-512	4	BOLT, CARRIAGE, Short NK, 5/16"-18 x 3/4", G5, Full Thd,
	231-5145	8	NUT, Flg, USR, 5/16"-18,
26	515-23222	3	CLAMP, 7/8", Insul, 3/8" Bolt,
27	515-23190	2	CLAMP, 3/4", Insul, 3/8" Bolt,
29	516-23127	4	CLAMP, J, 9/16" Insul, 3/8" Bolt,
30	515-23254	1	CLAMP, 1", Insul, 3/8" Bolt,
	844-12025	1	BOLT, Hex Flg, M12 x 25, 8.8,
	9804279	1	NUT, M12 x 1.75, Flg, CI 8,
	844-8025	9	BOLT, Hex Flg, M8 x 25, 8.8,
35	197514A2	1	SWITCH, Neutral Start, (Not Shown), See Figure 06-09, REF 20
	825-2408	14	NUT, M8 x 1.25, Flg, CI 8,
	102251A1	1	CLIP,
	231-5144	1	NUT, Flg, USR, 1/4"-20,
	409-748	1	BOLT, Hex Flg, 1/4"-20 x 1/2", Serr,
36	1988723C1	1	SUPPORT,
	87302571	3	SCREW, Hex Wash Hd, #10-24 x 1",

04-03 HARNESS, CENTER

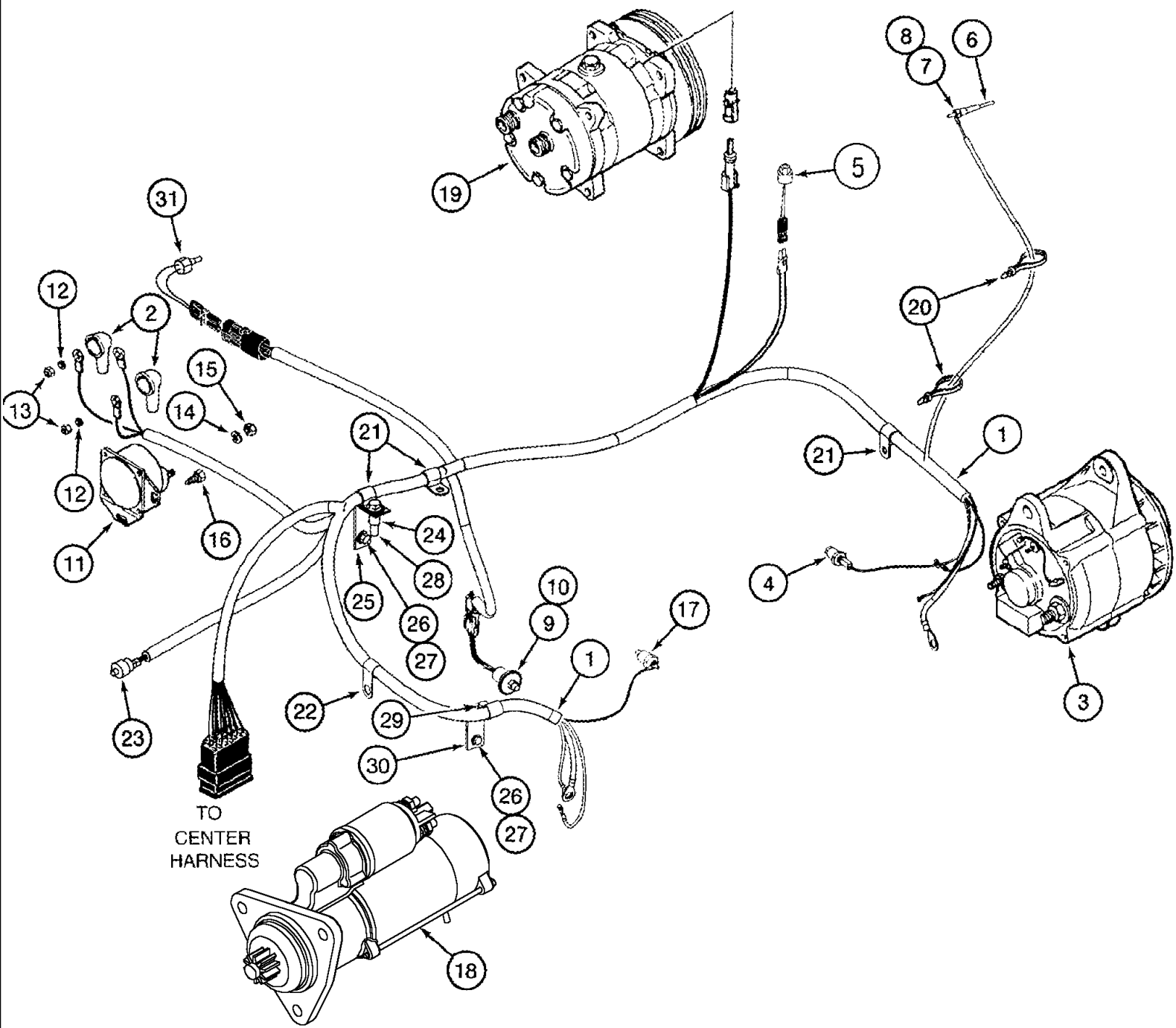
Ref	Part Number	Qty	Description
	231-51409	3	NUT, Flg, USR, #10-24,

04-04 HARNESSSES - STEERING CONSOLE AND PLATFORM



04-04 HARNESSSES - STEERING CONSOLE AND PLATFORM

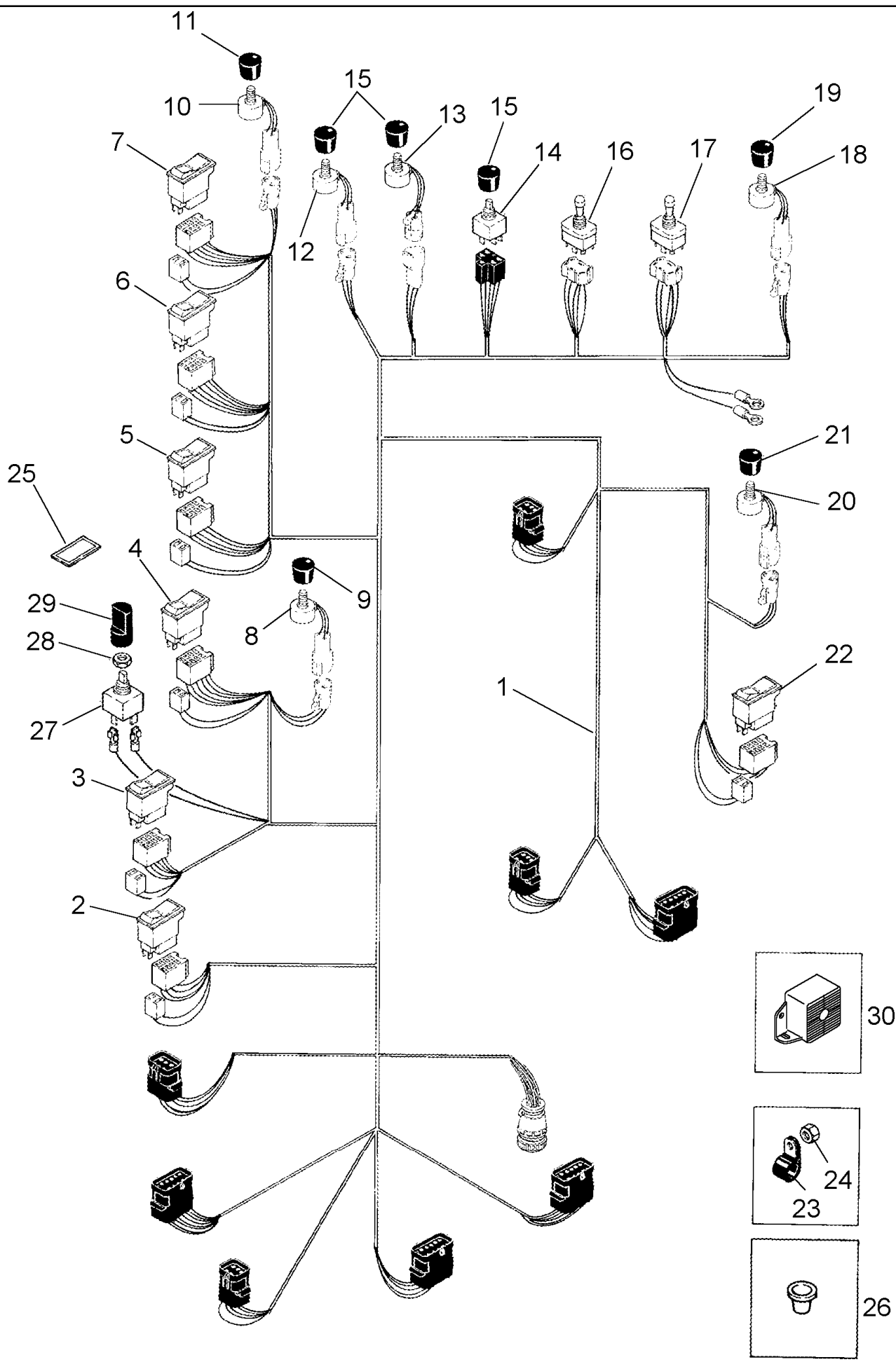
Ref	Part Number	Qty	Description
1	87305156	1	HARNESS, WIRE, Steering Console
2	L18331	4	STRAP, CABLE, 7 in
3	D71346	4	LAMP, TAIL, No. 168
4	282775A1	1	SWITCH, IGNITION, Inc. 5, 6
5	1964785C1	1	NUT,
6	1964831C2	1	SET OF 2 KEYS, Padded
7	1500137C2	1	SWITCH, FLASHER, Horn
8	614-4008	2	BOLT, Hex, M4 x 8, 8.8, Full Thd,
9	D67872	1	SWITCH, Ether Injection
10	217-40	1	REDUCER, 1/4"-18 NPTF x 1/8"-27 Fem NPTF,
11	237582A1	1	HORN,
12	614-6025	1	BOLT, Hex, M6 x 25, 8.8,
13	892-11006	1	WASHER, LOCK, M6,
14	825-5146	1	NUT, M6, Flg Ser,
15	127286A1	2	SWITCH, Emergency Brake
16	440-11012	8	SCREW, Cross Pan Hd, #10-24 x 3/4",
17	492-11010	8	WASHER, LOCK, #10,
18	225-14110	8	NUT, #10-24,
19	296466A1	2	BRACKET, Brake Switch
20	184848A2	1	HARNESS, WIRE, Platform
21	185117A1	2	HEADLIGHT, Aftercut, Inc. 22
22	323094A1	1	BULB, Type C-6, No. 894, (Not Shown)
23	515-23159	4	CLAMP, 5/8", Insul, 3/8" Bolt,
24	296643A1	1	SUPPORT, Brake Switch
25	614-8025	4	BOLT, Hex, M8 x 25, 8.8,
26	832-10408	4	NUT, LOCK, M8 x 1.25, CI 8,
27	183629A1	1	SUPPORT, Aftercut Lamp
28	409-7512	2	BOLT, Hex Flg, 5/16"-18 x 3/4", Serr,
29	231-5145	2	NUT, Flg, USR, 5/16"-18,
30	493-11039	1	WASHER, LOCK, 3/8", Int-Ext Tooth,
32	430506A1	2	LAMP, 35W, See Figure 04-42
34	87316983	1	SUPPORT, Indicator Light
35	261-1456	2	SCREW, SELF TAPPING, Cross Pan Hd, #10 x 3/8",
38	87307261	1	LIGHT, INDICATER, Wait to Start



04-05 HARNESS, ENGINE

Ref	Part Number	Qty	Description
1	87379864	1	HARNESS, WIRE, Engine, Inc. 2
2	399470R1	2	BOOT,
3	125849A1	1	ALTERNATOR, 135 amp, See Figure 04-38
4	430653A1	1	SWITCH, Coolant Temperature
5	369798A2	1	SWITCH, High Pressure, Air Conditioning
6	279476A1	1	SENSOR, Coolant Level
7	492-11010	1	WASHER, LOCK, #10,
8	225-14210	1	NUT, #10-32,
9	1964960C1	1	SWITCH, PRESSURE, Engine Oil Pressure
10	250838A2	1	CONNECTOR, ELEC, M10, Inc. 10A
10A	637-72081	1	O-RING, CI 7, 8.1MM ID x 1.6 Thk,
11	178149A1	1	SWITCH, SOLENOID, , See Figure 04-01
12	492-11031	2	WASHER, LOCK, 5/16",
13	425-105	2	NUT, 5/16"-18, G5,
14	492-11010	1	WASHER, LOCK, #10,
15	225-14210	1	NUT, #10-32,
16	276-1458	2	SCREW, SELF TAPPING, Hex Hd, #10 x 1/2",
17	121756C2	1	SENSOR, Coolant Temperature
18	87419387	1	MOTOR, STARTER, , See Figure(s) 04-39, 04-40
19	86993462	1	COMPRESSOR, AIRCOND, , See Figure 09G -20
20	435437A1	1	STRAP, CABLE, 3/16" x 7 1/4", 7 in
20	L18331	8	STRAP, CABLE, 15 in
21	515-30222	7	CLAMP, 7/8", 1/2" Bolt,
21	515-22127	1	CLAMP, 1/2", Insul, 5/16" Bolt,
22	1345263C1	1	CLIP, 3/4 ID
22	515-23190	1	CLAMP, 3/4", Insul, 3/8" Bolt,
23	279492A1	1	SWITCH, Air Restriction
24	87302566	1	SPACER, 3/8 x 3 in
25	1317942C1	1	BRACKET, Grain Tank Light
26	614-8020	1	BOLT, Hex, M8 x 20, 8.8,
26	87032825	1	BOLT, Hex Flg, M12 x 100, 10.9,
27	495-11034	2	WASHER, 5/16", SAE,
28	854-12050	1	BOLT, Hex Flg, M12 x 50, 10.9,
29	825-2408	1	NUT, M8 x 1.25, Flg, CI 8,
30	1317942C1	1	BRACKET,
31	87300499	1	SENSOR, Air to Air Temperature

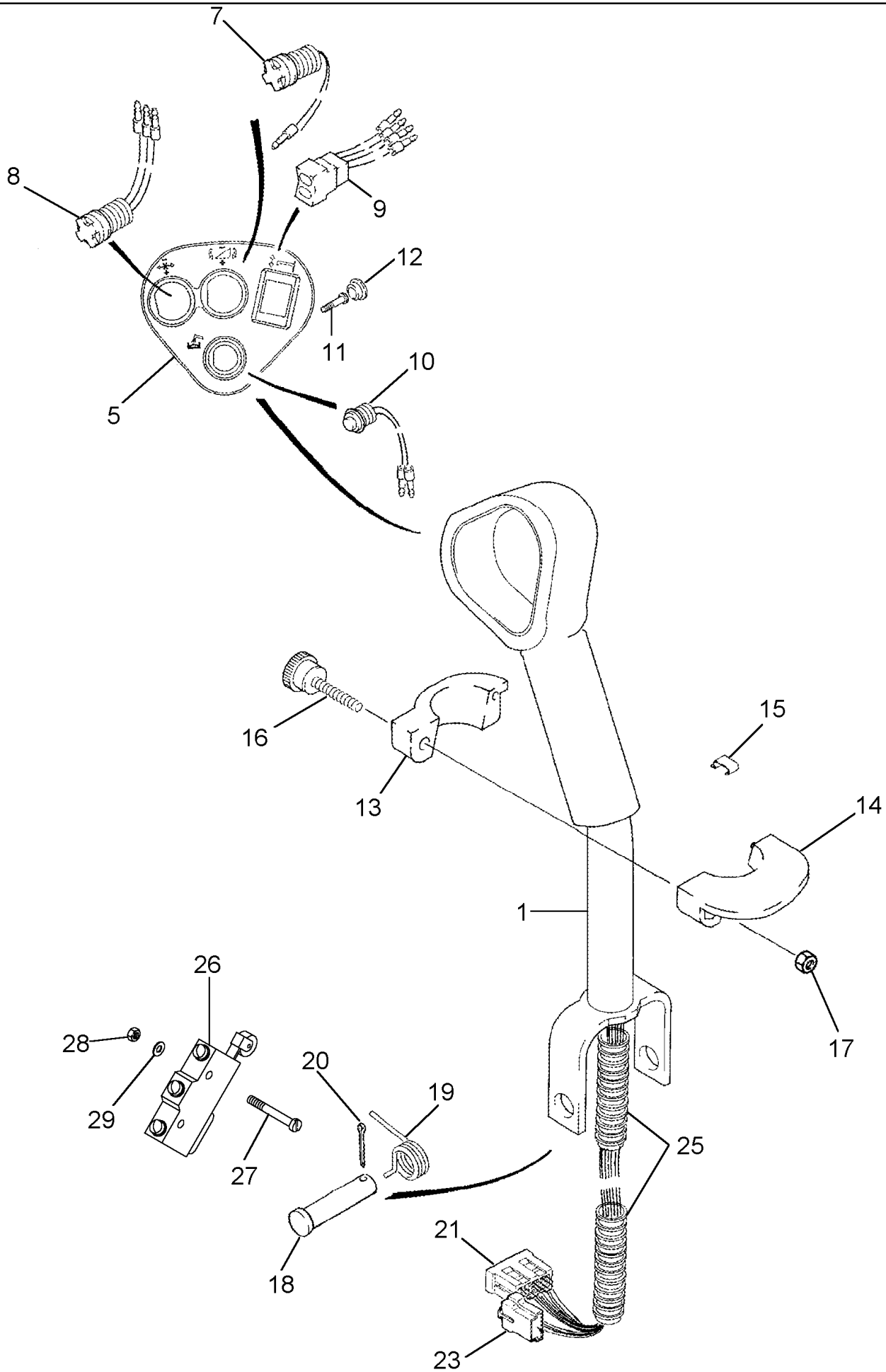
04-06 HARNESS, CONSOLE



04-06 HARNESS, CONSOLE

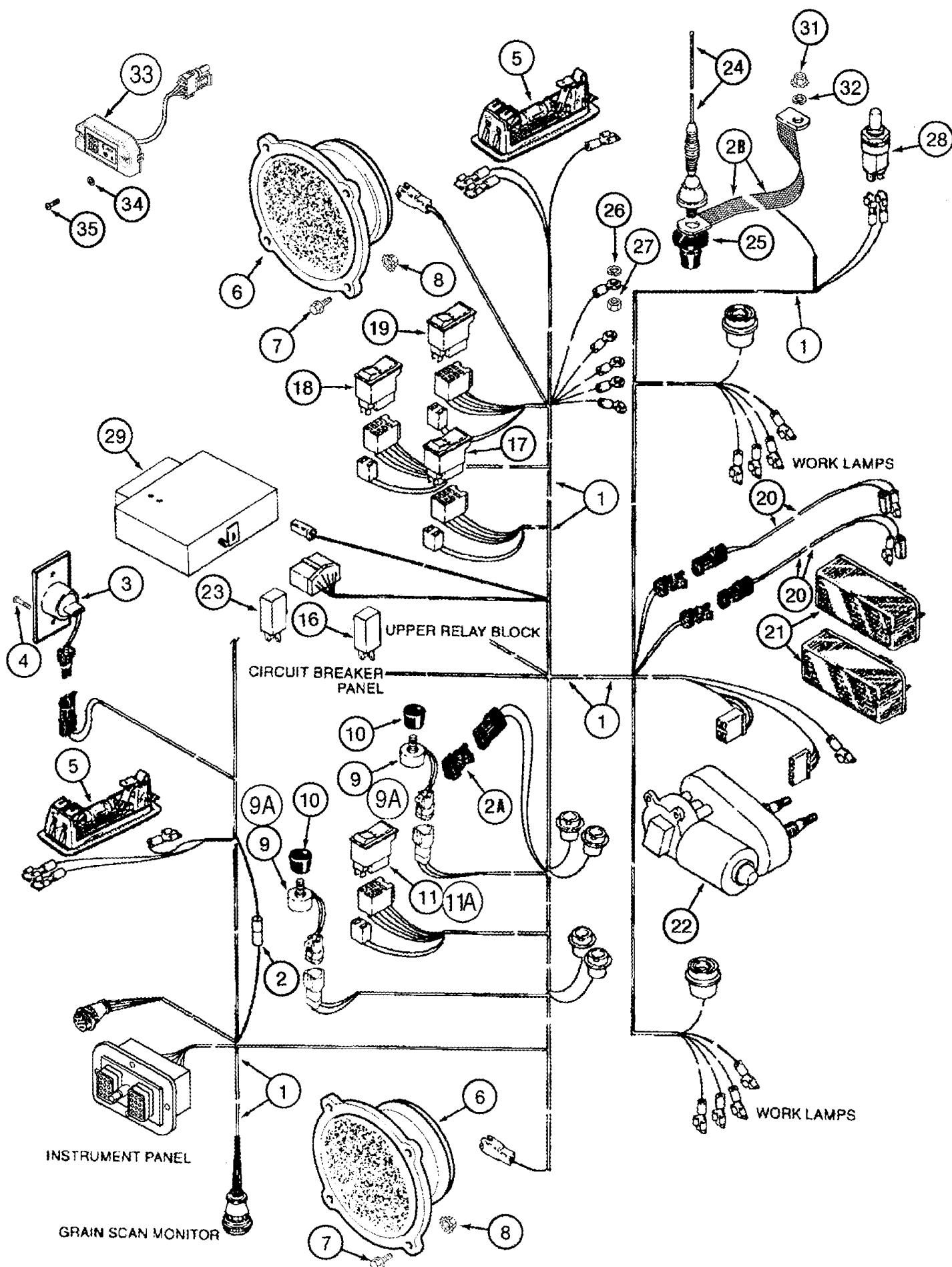
Ref	Part Number	Qty	Description
1	452023A2	1	HARNESS, WIRE, Console
2	124098A1	1	SWITCH, Parking Brake
3	109821A1	1	SWITCH, Power Guide Axle, 4 Wheel Drive, Inc. 109826A1, 109833A1, 3141107R1
	109826A1	1	SWITCH,
	109833A1	1	SYMBOLS,
	3141107R1	1	BULB, W5/1.2, 12V, 1.2W,
4	109822A1	1	SWITCH, Inc. 109826A1, 109834A1, 3141107R1, With Two Speed Motor
5	143503A1	1	SWITCH, Rotor Speed
6	143502A1	1	SWITCH, Fan Speed
7	143504A1	1	SWITCH, Concave Adjust
8	114551A1	1	POTENTIOMETER, 2.5K, Reel Speed
9	A186263	1	KNOB,
10	114551A1	1	POTENTIOMETER, 2.5K, Raise Rate
11	A186263	1	KNOB,
12	114551A1	1	POTENTIOMETER, 2.5K, Header Sensitivity
13	114550A1	1	POTENTIOMETER, 1K, Header Position
14	129237A1	1	SWITCH, Header Height
15	118780A1	3	KNOB,
16	245634C2	1	SWITCH, Toggle, Feeder, BSN HAJ301806
16	245634C3	1	SWITCH, Toggle, Feeder, ASN HAJ301806
17	245632C2	1	SWITCH, Toggle, Separator
18	114551A1	1	POTENTIOMETER, 2.5K, Lower Rate
19	A186263	1	KNOB,
20	114551A1	1	POTENTIOMETER, 2.5K, Reel Ratio
21	118780A1	1	KNOB,
22	109817A1	1	SWITCH, Reel Speed, Auto/Manual
23	515-23222	1	CLAMP, 7/8", Insul, 3/8" Bolt,
24	829-1410	1	NUT, M10, CI 10,
25	245918C1	AR	CAP, , Without Two Speed Motor, Without Power Guide Axle
26	353-4	1	PLUG, Cap, .366" OD, , Without Automatic Height Control
27	L70872	1	SWITCH, Accumulator
28	A42561	1	NUT,
29	280673A1	1	KNOB, Accumulator Switch
30	L112318	1	ALARM, Back-Up

04-07 LEVER ASSY - PROPULSION CONTROLS



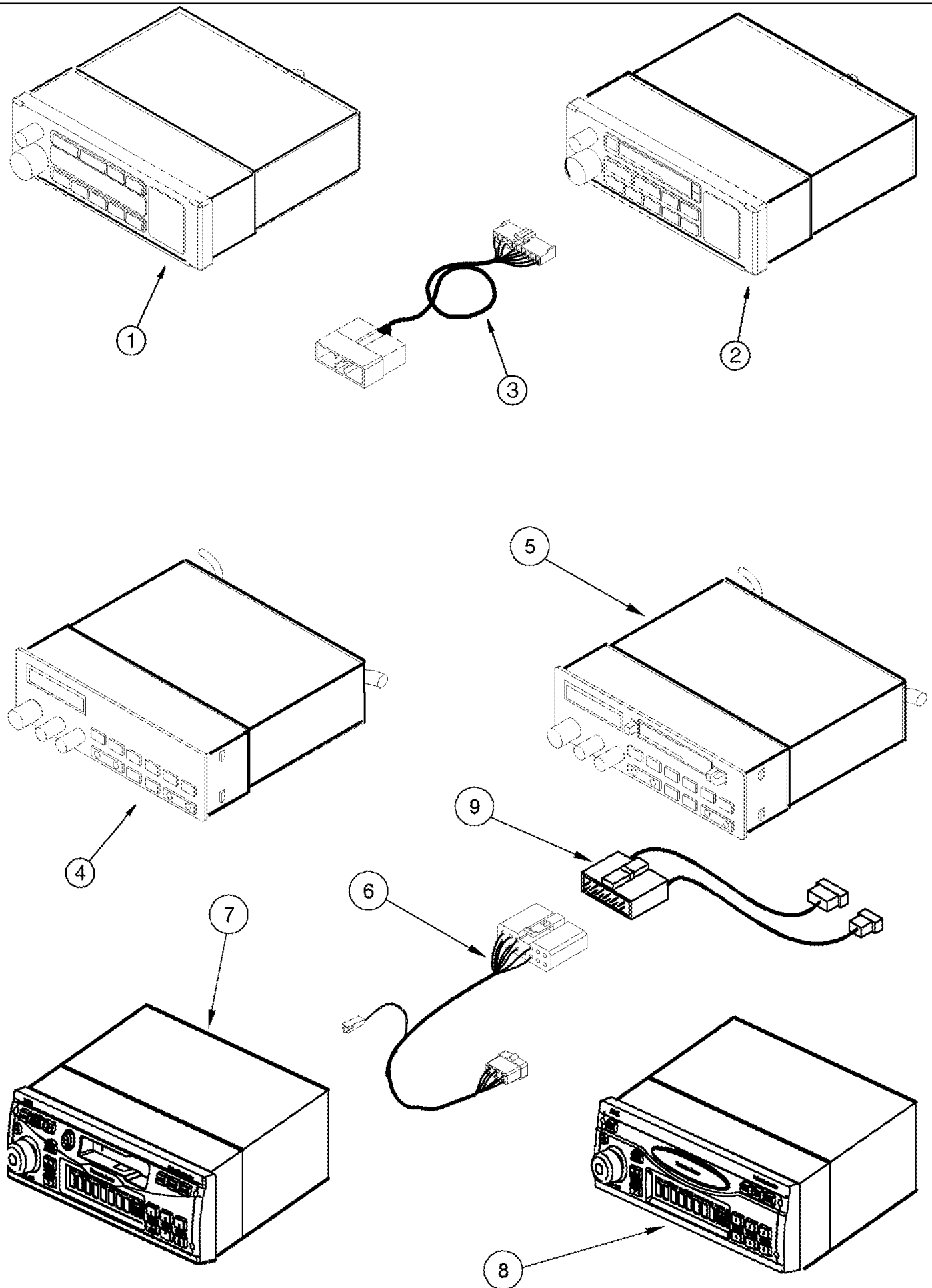
04-07 LEVER ASSY - PROPULSION CONTROLS

Ref	Part Number	Qty	Description
1	113314A2	1	LEVER, CONTROL, Propulsion
5	124669A1	1	PLATE,
6	144109A2	1	DECAL, (Not Shown), See Figure 09H-23
7	87318441	1	SWITCH ASSY, Header Control
8	118680A1	1	SWITCH, Reel Control
9	118683A1	1	SWITCH, Unloader Swing
10	127597A1	1	SWITCH, Unloader Auger
11	260-54310	1	SCREW, SELF TAPPING, Cross Pan Hd, #6 x 5/8",
12	353-402	1	PLUG, Dome, .375" hole, Nylon,
13	116150A1	1	SUPPORT, Palm Rest, Left Hand
14	116152A1	1	SUPPORT, Palm Rest, Right Hand
15	1343962C1	1	CLIP, ELECTRICAL,
16	86987885	1	KNOB, Palm Rest
17	425-104	1	NUT, 1/4"-20, G5,
18	27-8343	1	PIN, CLEVIS, 1/2" x 3 7/16",
19	128593A1	1	SPRING,
20	432-816	1	PIN, SPLIT (COTTER), 1/8" x 1",
21	225388C1	1	CONNECTOR, ELEC, Type NA
22	225390C1	1	WEDGE, Type NF, (Not Shown)
23	225350C1	1	CONNECTOR, ELEC, TYPE LY
24	225353C1	1	WEDGE, Type W6P, (Not Shown)
25	120344C1	1	CONDUIT, 184 mm (7-1/4 in)
26	141655A1	1	SWITCH, Limit - Unloader
27	463-10416	2	SCREW, Hex Hd, #4-40 x 1",
28	225-14104	2	NUT, #4-40,
29	895-11004	2	WASHER, M4,



04-08 HARNESS - CAB, OVERHEAD

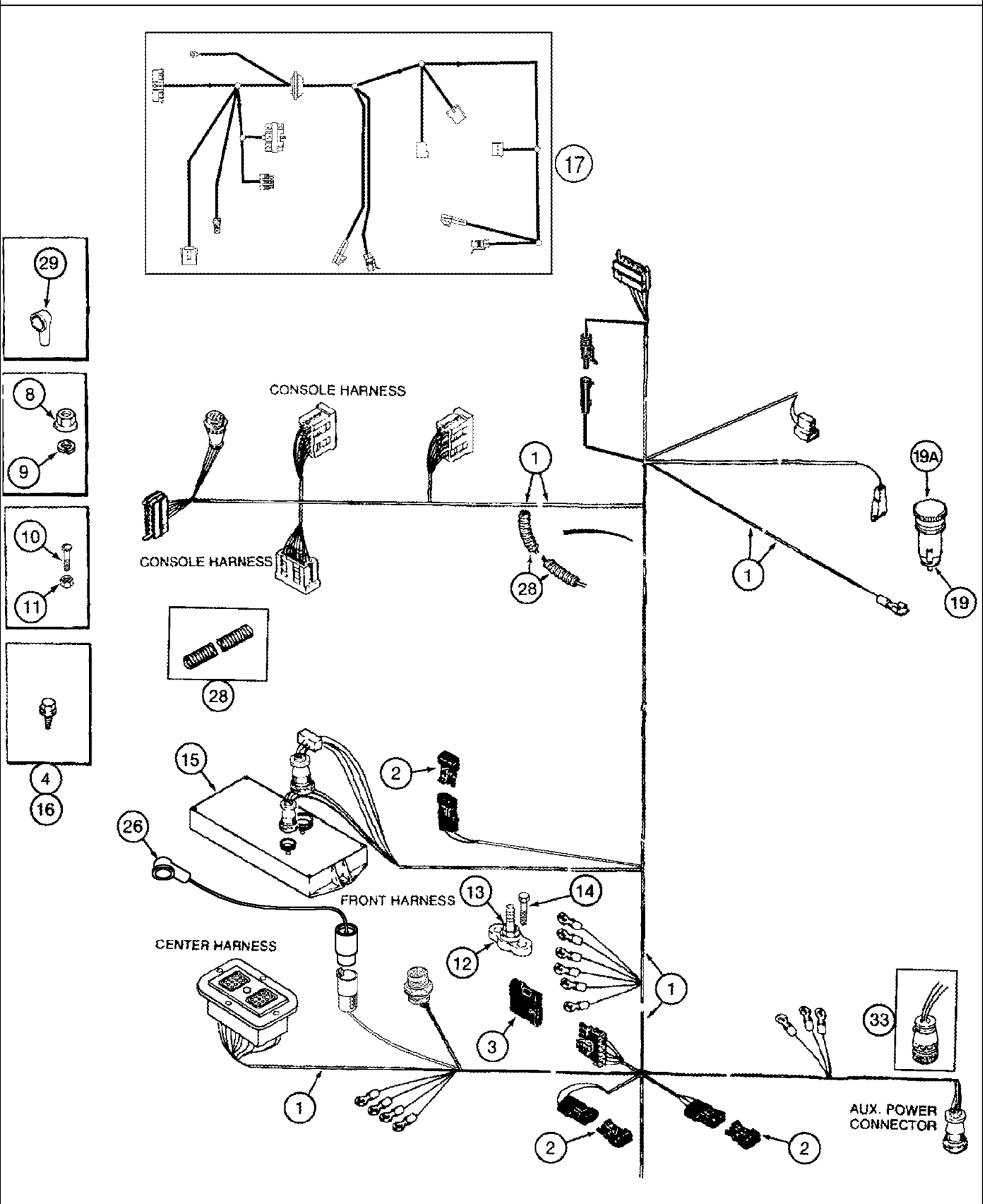
Ref	Part Number	Qty	Description
1	87379845	1	HARNESS, Cab, Without Overhead Circuit Breaker Panel, See Figure(s) 04-13, 04-14
2	113699A1	1	RECTIFIER, 2-5/8
2A	A187874	2	DIODE,
2B	278032A1	1	STRAP, GROUND, Radio Antenna to Cab
3	83882C91	1	LAMP, Console Illumination, See Figure 04-30
4	440-10812	2	SCREW, Cross Pan Hd, #8-32 x 3/4",
5	429726A1	2	DOME LIGHT, , See Figure 04-27
6	375389A1	2	SPEAKER, 5-1/2
7	276-13520	8	SCREW, SELF TAPPING, Hex Hd, #10 x 1 1/4",
8	231-51409	8	NUT, Flg, USR, #10-24,
9	369794A1	2	POTENTIOMETER, Air Conditioning, Fan Speed, 10K
10	1977521C1	2	KNOB,
11	369892A1	1	SWITCH, Air Conditioning, Without Automatic Temperature Control
12	26069R1	4	BULB, No. 192, (Not Shown)
13	139718A1	1	CIRCUIT BREAKER, 10 amp, (Not Shown), Used With 276603A2
14	139719A1	2	CIRCUIT BREAKER, 15 amp, (Not Shown), Used With 276603A2
15	139720A1	3	CIRCUIT BREAKER, 20 amp, (Not Shown), Used With 276603A2
16	105849A1	5	RELAY, 20 amp, Continuous Duty, Mounted in Relay Block
17	87447601	1	SWITCH, WINDSHIELD WIPER, Wiper With Washer
18	391065A1	1	SWITCH, Lamp
19	279263A1	1	SWITCH, FLASHER, Warning Lamp
20	143062A1	2	HARNESS, WIRE, Warning Lamp
21	130882C91	2	LIGHT, INTERIOR, , See Figure 04-30
22	137838A1	1	WIPER MOTOR, , See Figure 04-39
23	391066A1	1	RELAY, Time Delay
24	97080C1	1	ANTENNA,
25	R54547	1	GROMMET,
26	893-11008	1	WASHER, LOCK, Ext Tooth, M8,
27	825-5148	2	NUT, M8, Flg Ser,
28	1983341C1	1	SWITCH, Door Jam
29	REF	1	INSTRUCTION, Radio, Note: If Cab Is Not Equipped With A Radio, 1535219C1 Plate Is Used To Cover Opening In Headliner. See Figure 09G-06 REF 10
31	825-51410	1	NUT, M10, Flg Ser,
32	493-11039	1	WASHER, LOCK, 3/8", Int-Ext Tooth,
33	308910A2	1	DISPLAY, Air Conditioning
34	495-31022	4	WASHER, #10,
35	261-13512	2	SCREW, SELF TAPPING, Cross Pan Hd, #10 x 3/4",



04-09 RADIO

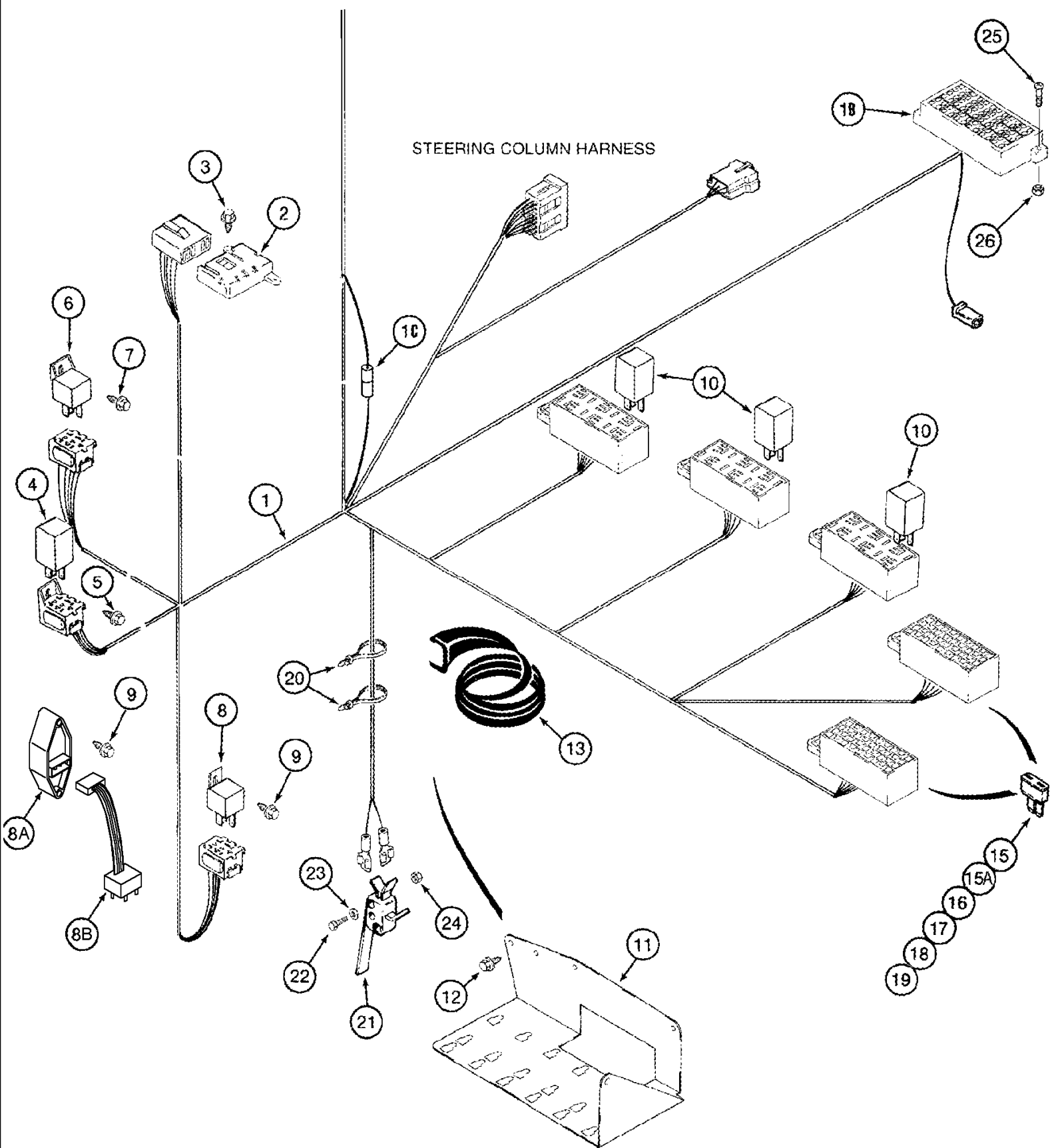
Ref	Part Number	Qty	Description
1	ZAE1001	1	RADIO, AM-FM Stereo, Order From Ship Direct, Also Order 321658A1 Harness
2	ZAE3001	1	RADIO, AM-FM Stereo, With Cassette Tape Player, Order From Ship Direct, Also Order 321658A1 Harness
3	321658A1	1	HARNESS, WIRE, Adapter
4	253772A1	1	RADIO, Delco, AM-FM Stereo
5	253773A1	1	RADIO, Delco, AM-FM Stereo, With Cassette Tape Player
6	245770A1	1	HARNESS, WIRE, Adapter
7	366631A2	1	RADIO, Delco, AM-FM-WB Stereo
8	355623A1	1	RADIO, Delco, AM-FM Stereo, With Cassette Tape Player
9	366526A1	1	HARNESS, WIRE, Adapter

04-10 HARNESS - CAB, LOWER REAR



04-10 HARNESS - CAB, LOWER REAR

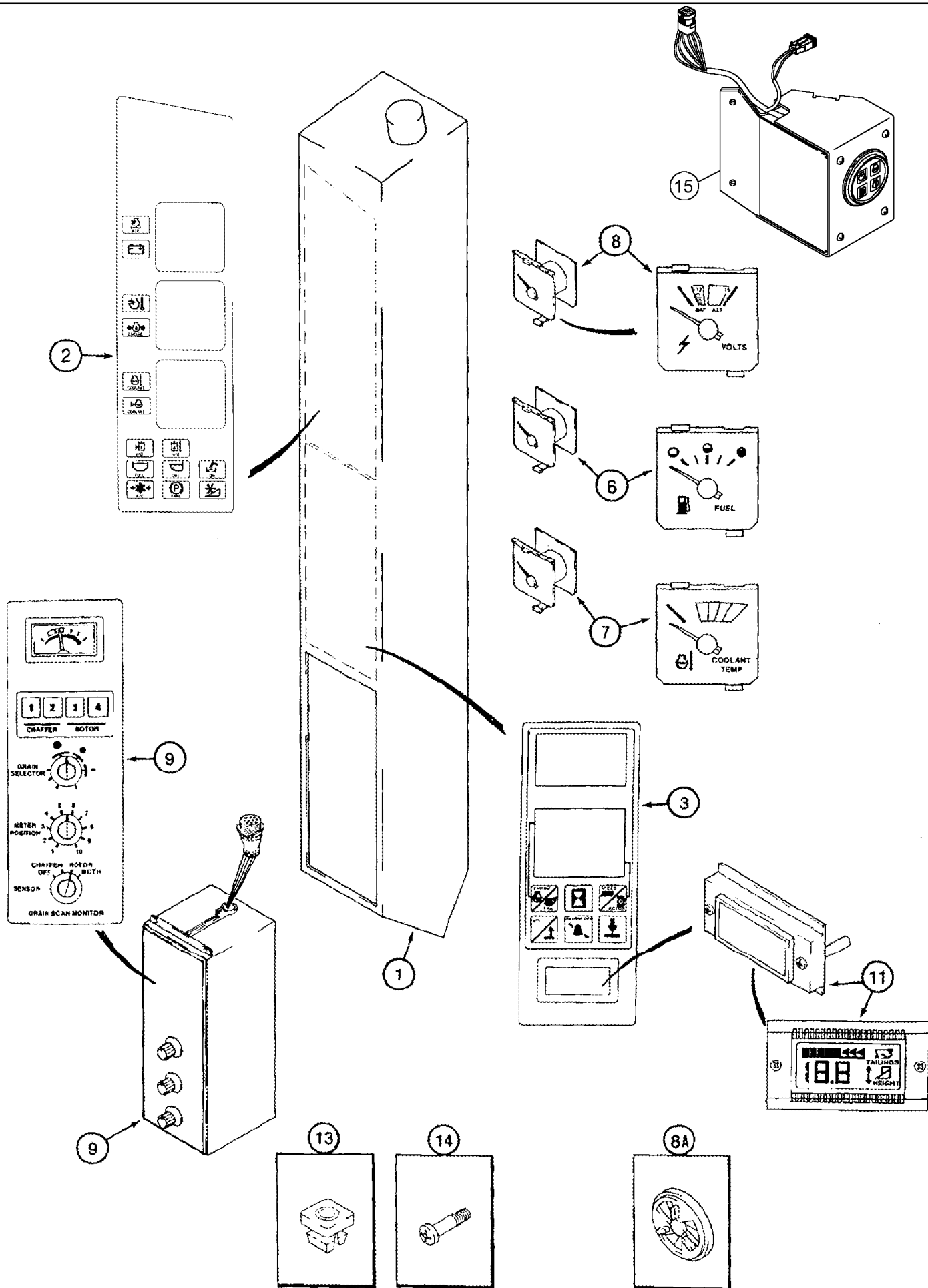
Ref	Part Number	Qty	Description
1	87379845	1	HARNESS, Cab, See Figure 04-11
2	A187874	2	DIODE, Unloader Auger, Concave Clearance Request
3	127290A1	1	DIODE, Rotor/Fan Speed Request
4	191216A1	4	SCREW, SELF TAPPING, Hex Wash Hd, #10-24 x 5/8",
8	825-51410	2	NUT, M10, Flg Ser,
9	493-11039	3	WASHER, LOCK, 3/8", Int-Ext Tooth,
10	440-10610	4	SCREW, Cross Pan Hd, #6-32 x 5/8",
11	231-14106	4	NUT, LOCK, #6-32, GB,
12	303717A1	2	HARNESS, WIRE, Junction, Switched, B+, Inc. 13, (1) 113-235
13	425-106	1	NUT, 3/8"-16, G5,
14	440-11012	2	SCREW, Cross Pan Hd, #10-24 x 3/4",
15	239938A8	1	CONTROL, Header Control
16	191216A1	2	SCREW, SELF TAPPING, Hex Wash Hd, #10-24 x 5/8",
17	87333848	1	HARNESS, WIRE, Heating and Air Conditioning, See Figure 09G-17
19	432212A1	1	LIGHTER, CIGARETTE, Socket Assy
19A	190812A1	1	COVER, Cigar Lighter
26	277019A2	1	CABLE, Cab Power, Inc. 29, See Figure 04-33
28	236586A1	1	CONDUIT, 990 mm (39 in)
29	399470R1	1	BOOT,
33	187103A1	1	CONNECTOR, ELEC, Auxiliary Power, Note: Order to use with add-on radios, phones, and other accessories.
35	83822C1	2	TAPE, ADHESIVE, 610 mm (24 in), Cut From 1954475C1, (Not Shown)
	311906A1	1	KIT, Cab Power, Inc. 37 - 39, (Not Shown), Note: These connectors, 277424A1 and 277431A1 are located behind Refs 6 and 7 on page 09G-01. If broken or loose cab power may be lost and emergency parking brake will engage. Purchase 311906A1 kit to repair.
37	277424A1	1	CONNECTOR, (Not Shown)
38	277431A1	1	CONNECTOR, (Not Shown)
39	311905A1	1	TOOL, (Not Shown)
40	435437A1	3	STRAP, CABLE, 3/16" x 7 1/4", (Not Shown)



04-11 HARNESS - CAB, RELAY AND FUSE

Ref	Part Number	Qty	Description
1	87379845	1	HARNESS, Cab, See Figure(s) 04-11, 04-13
1B	122845A1	1	JUNCTION BLOCK, Feedback
1C	113699A1	1	RECTIFIER, 2-5/8, Inc. With 276603A2, 315073A1
2	284421A1	1	CONTROL UNIT, Low Coolant
3	191216A1	2	SCREW, SELF TAPPING, Hex Wash Hd, #10-24 x 5/8",
4	86578898	1	FLASHER UNIT, Hazard
5	191216A1	1	SCREW, SELF TAPPING, Hex Wash Hd, #10-24 x 5/8",
6	1987452C1	1	RELAY, 12V, 70 amp, Cab Power
7	191216A1	1	SCREW, SELF TAPPING, Hex Wash Hd, #10-24 x 5/8",
8	1502351C1	1	RELAY, 12V, Unloading Circuit, Optional with 87413245 Below
	87413245	1	KIT, FIP, Service Replacement of 1502351C1, Avoids Connector Change in Cab Harness, Inc. 8A, 8B
8A	87378009	1	RELAY, Module, 12V, Unloading Circuit
8B	87413222	1	HARNESS, WIRE, Adapting
9	191216A1	1	SCREW, SELF TAPPING, Hex Wash Hd, #10-24 x 5/8", Used with 1502351C1
9	87033643	1	SCREW, SELF TAPPING, Hex Wash Hd, #10 x 1 1/2", Used with 87413221
10	105849A1	19	RELAY, 20 amp, Continuous Duty
11	123116A1	1	PANEL, Fuse and Relay
12	191216A1	3	SCREW, SELF TAPPING, Hex Wash Hd, #10-24 x 5/8",
13	1327979C1	1	MOLDING, 152 mm (6 in), Cut From 196707C1
14	REF	1	INSTRUCTION, Decal, Fuse and Relay, (Not Shown), See Figure 09H-20
15	121850A1	AR	FUSE, 3 amp
15A	121410A1	AR	FUSE, 5 amp
16	121412A1	AR	FUSE, 10 amp
17	121413A1	AR	FUSE, 15 amp
18	121414A1	AR	FUSE, 20 amp
19	121416A1	AR	FUSE, 30 amp
20	702093C1	2	STRAP, CABLE,
21	60-6515T1	1	SWITCH, 3rd Gear Lockout
22	463-10412	2	SCREW, Hex Hd, #4-40 x 3/4",
23	495-31012	2	WASHER, #4,
24	225-14104	2	NUT, #4-40,
25	440-10616	2	SCREW, Cross Pan Hd, #6-32 x 1",
26	231-14106	2	NUT, LOCK, #6-32, GB,
	222699A1	AR	KIT, FUSES, Inc. 15, 15A, 16 - 19 (1 each)
27	121411A1	1	FUSE, 7.5 amp (Not Shown)
28	121415A1	1	FUSE, 25 amp (Not Shown)

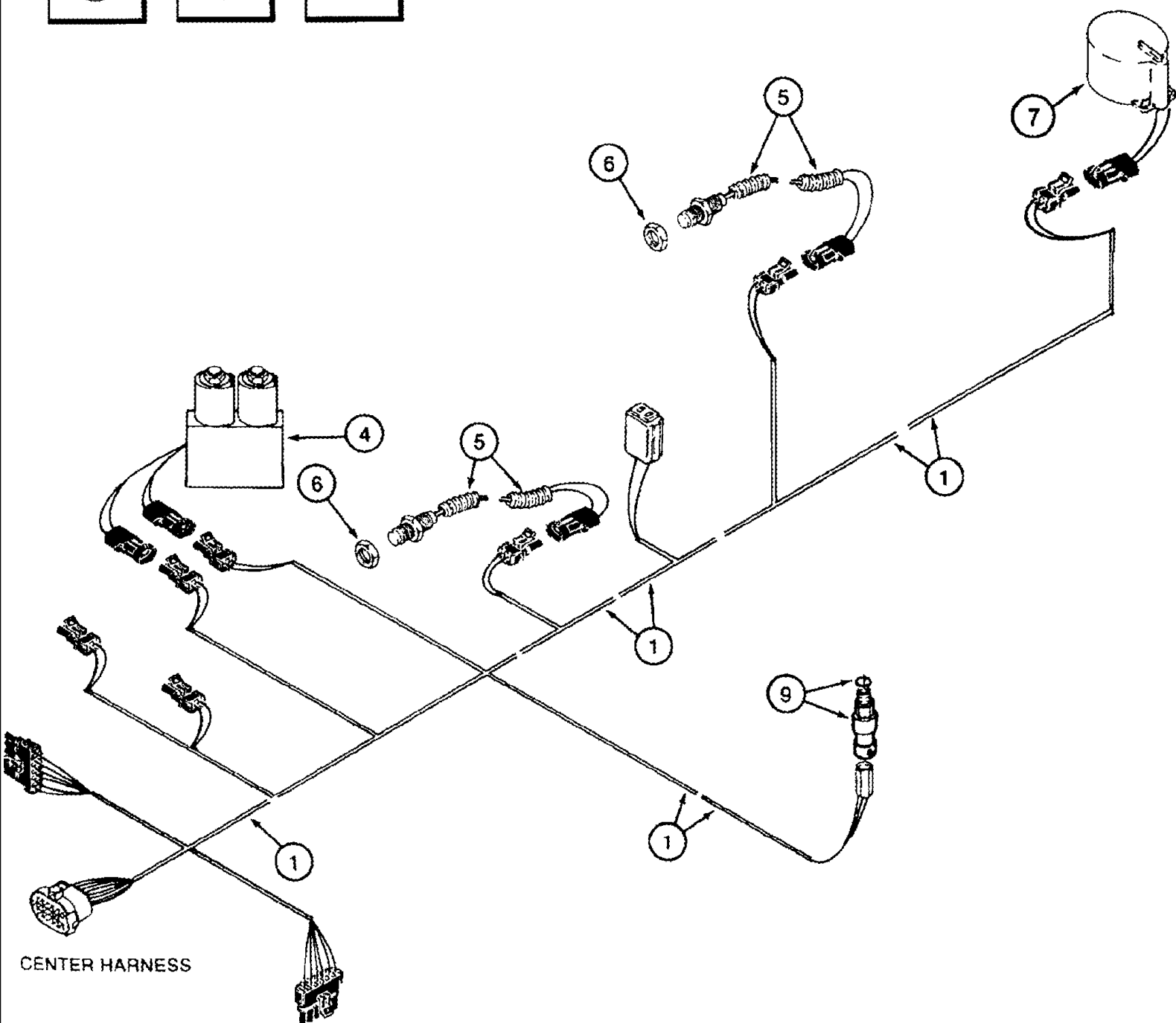
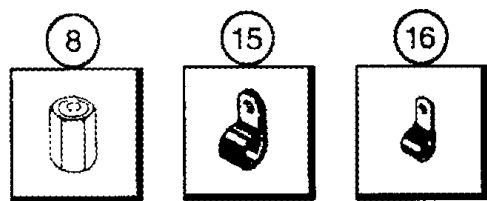
04-12 INSTRUMENT PANEL ASSY



04-12 INSTRUMENT PANEL ASSY

Ref	Part Number	Qty	Description
	257612A2	1	PANEL, INSTRUMENTS, Inc. 1 - 8B, 11
1	NSS	1	NOT SERVICED SEPARATELY, Panel
2	238210A1	1	DECAL, Gauge And Warning
3	123716A1	1	DECAL, Instrument Panel
4	A48888	AR	BULB, (Not Shown)
5	121615A1	6	SOCKET, LAMP, Inc. Bulb (Not Shown)
6	142825A1	1	GAUGE, FUEL,
7	142824A1	1	GAUGE, Coolant Temperature
8	142828A1	1	VOLTMETER, Voltmeter
8A	195359A1	1	SUPPRESSOR, Audible Warning Alarm
8B	1546441C1	1	BUZZER, Audible Warning Alarm (Not Shown)
9	110862A1	1	MONITOR, CONTROL, Grain Scan, Inc. 10
10	A48888	AR	BULB, (Not Shown)
11	123715A1	1	DISPLAY, Height Display, Inc. 12
12	121615A1	1	SOCKET, LAMP, Inc. Bulb (Not Shown)
13	R53000	2	NUT,
14	260-13524	2	SCREW, SELF TAPPING, Cross Pan Hd, #10 x 1 1/2",

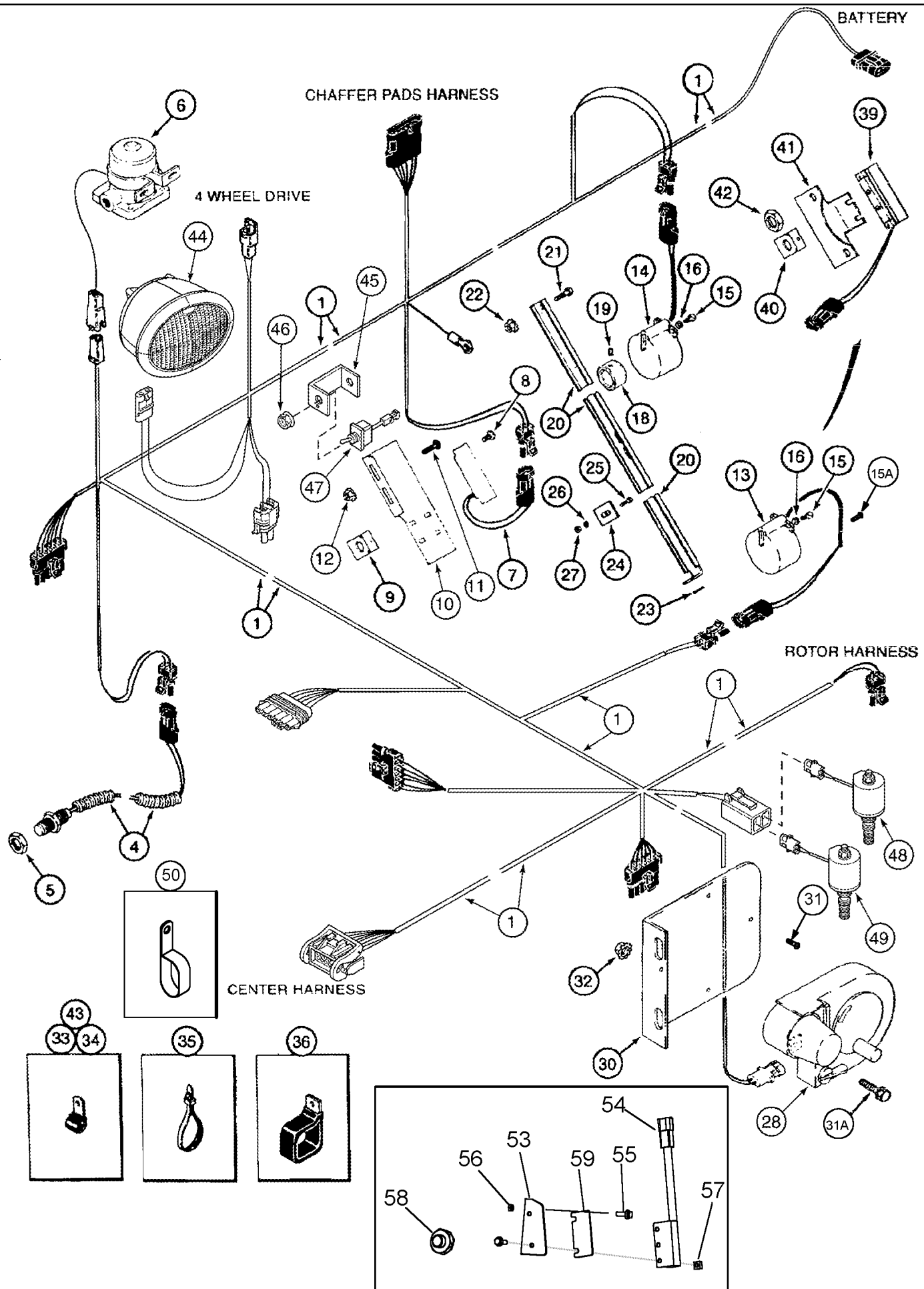
04-13 HARNESS, LOWER



04-13 HARNESS, LOWER

Ref	Part Number	Qty	Description
1	243187A1	1	HARNESS, WIRE, Lower, Inc. 2, 3
2	187308A1	2	CAP, (Not Shown)
3	187309A1	2	BAR, Splice (Not Shown)
4	129010A4	1	VALVE, CONTROL, Parking Brake And Feeder Clutch, See Figure 08-17
5	245193C2	2	SENSOR, Ground Speed, Fan Speed
6	425-1512	2	NUT, Jam, 3/4"-10, G5,
7	1345482C3	1	TRANSMITTER, Clean Grain Speed, Shaft 1-1/4 in.
7	143956A3	1	TRANSMITTER, Clean Grain Speed, Shaft 1-3/8 in. (Not Shown)
8	106666A1	1	NUT, 3/8
9	86975430	1	SENSOR, Header Float Pressure, See Figure 08-10
15	92386C1	3	CLAMP, 7/8", Insul, 7/16" Bolt,
16	516-23127	3	CLAMP, J, 9/16" Insul, 3/8" Bolt,
17	844-8025	2	BOLT, Hex Flg, M8 x 25, 8.8, (Not Shown)
18	825-2408	3	NUT, M8 x 1.25, Flg, Cl 8, (Not Shown)
19	435437A1	1	STRAP, CABLE, 3/16" x 7 1/4", 7 in (Not Shown)

04-14 HARNESS, LEFT HAND SIDE



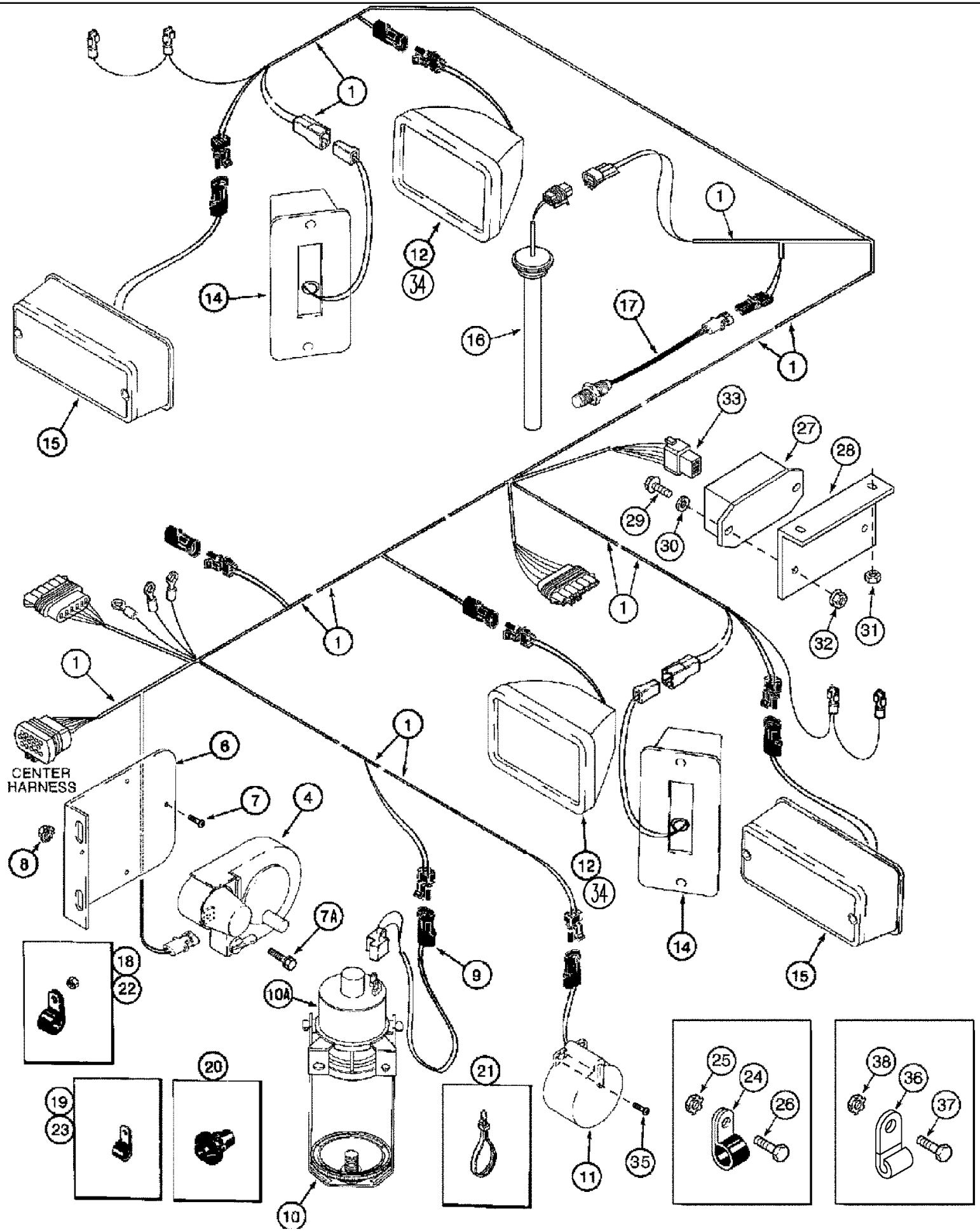
04-14 HARNESS, LEFT HAND SIDE

Ref	Part Number	Qty	Description
1	87379857	1	HARNESS, WIRE, Left Hand Side
2	187308A1	3	CAP, (Not Shown)
3	187309A1	3	BAR, Splice, (Not Shown)
4	1252494C2	1	TRANSMITTER, Engine RPM
5	425-1512	2	NUT, Jam, 3/4"-10, G5,
6	302867A1	1	PUMP, FUEL, Fuel, See Figure 03-04, REF 17
7	245364C1	1	SWITCH, Monitor Control, Shoe Speed
8	840-1410	2	SCREW, Cross Pan Hd, M4 x 10,
9	187996C1	1	MAGNET, Shoe Sensor
10	187998C3	1	BRACKET, Sensor
11	434-512	2	BOLT, CARRIAGE, Short NK, 5/16"-18 x 3/4", G5, Full Thd,
12	231-5145	2	NUT, Flg, USR, 5/16"-18,
13	1345485C3	1	TRANSMITTER, Beater
14	1345482C3	1	TRANSMITTER, Tailings Elevator Speed
15	263-5448	2	SCREW, SELF TAPPING, Slotted Pan Hd, #8 x 1/2",
15A	260-13524	2	SCREW, SELF TAPPING, Cross Pan Hd, #10 x 1 1/2",
16	492-11008	4	WASHER, LOCK, #8,
18	87431217	1	COLLAR, Inc. Set Screw
19	280-1478	1	SCREW, SELF TAPPING, Hex Wash Hd, 1/4" x 1/2",
20	116892A1	1	CHANNEL,
21	477-73112	3	BOLT, Slotted Tr Hd, 5/16"-18 x 3/4",
22	231-5145	3	NUT, Flg, USR, 5/16"-18,
23	495-11034	1	WASHER, 5/16", SAE,
24	1301560C1	1	SUPPORT,
25	413-512	1	BOLT, Hex, 5/16"-18 x 3/4", G5, Full Thd,
26	492-11031	1	WASHER, LOCK, 5/16",
27	425-105	1	NUT, 5/16"-18, G5,
28	127813A1	1	LAMP, Service, Left Hand, Inc. 29
29	H40556	1	BULB, 12V, (Not Shown)
30	139049A2	1	SUPPORT, Left Hand
31	276-1458	3	SCREW, SELF TAPPING, Hex Hd, #10 x 1/2",
31A	905-8020	3	BOLT, Hex Serr Flg, M8 x 20,
32	825-5148	4	NUT, M8, Flg Ser,
33	515-23222	3	CLAMP, 7/8", Insul, 3/8" Bolt,
34	515-23254	2	CLAMP, 1", Insul, 3/8" Bolt,
35	435437A1	2	STRAP, CABLE, 3/16" x 7 1/4", 7 in
36	1301387C2	3	CLIP, 2 in ID
37	614-8025	3	BOLT, Hex, M8 x 25, 8.8, (Not Shown)
38	825-5148	4	NUT, M8, Flg Ser, (Not Shown)
39	245410C1	1	TRANSMITTER, Straw Chopper
40	178799C1	1	CLAMP, Magnet, Use with 245410C1
41	144706A4	1	SUPPORT, , With Straw Chopper
42	425-148	2	NUT, Jam, 1/2"-13, G5,

04-14 HARNESS, LEFT HAND SIDE

Ref	Part Number	Qty	Description
43	362666R1	2	CLIP,
44	402850A1	1	LAMP, WORK, Separator, See Figure 04-32
45	391064A2	1	BRACKET,
46	231-5346	1	NUT, LOCK, Flg, 3/8"-16,
47	391062A1	1	SWITCH,
48	384307A1	1	VALVE, SOLENOID, Solenoid, Separator Clutch, See Figure 08-28
49	384307A1	1	VALVE, SOLENOID, Solenoid, Unloader Clutch, See Figure 08-28
50	470375C1	1	CLAMP,
51	409-7512	1	BOLT, Hex Flg, 5/16"-18 x 3/4", Serr,
52	231-5145	1	NUT, Flg, USR, 5/16"-18,
53	87525037	1	BRACKET, Ladder Switch, ASN HAJ300845
54	87391134	1	SWITCH, Ladder Position, ASN HAJ300845
55	409-7412	4	BOLT, Hex Flg, 1/4"-20 x 3/4", Serr, , ASN HAJ300845
56	224-2244	2	, ASN HAJ300845
57	231-5344	2	NUT, LOCK, Flg, 1/4"-20, , ASN HAJ300845
58	87536677	1	SWITCH, Ladder Position Sensor, ASN HAJ300845
59	87548816	AR	SPACER, , ASN HAJ300845

04-15 HARNESS, REAR



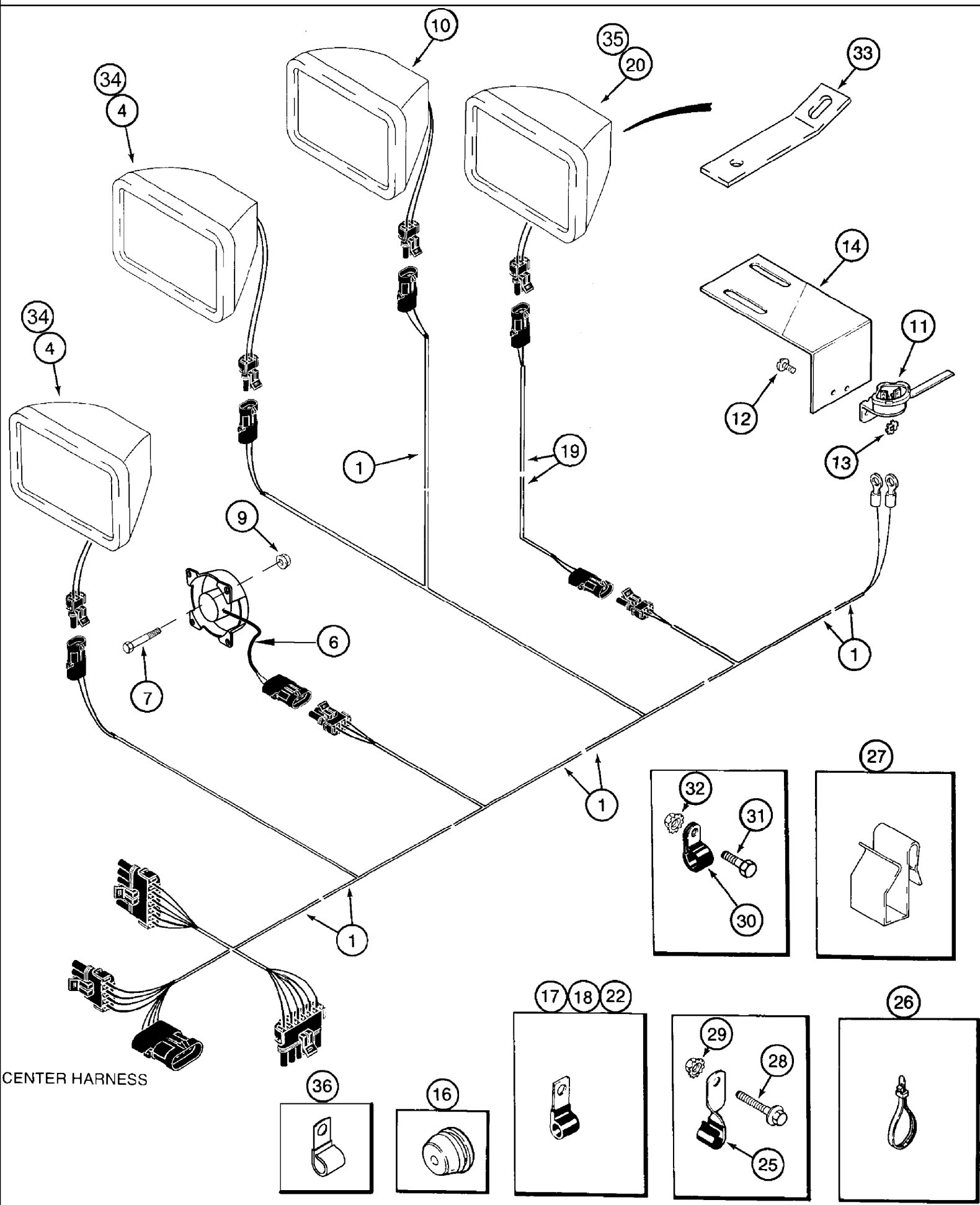
04-15 HARNESS, REAR

Ref	Part Number	Qty	Description
1	87379855	1	HARNESS, WIRE, Rear
2	187308A1	1	CAP, (Not Shown)
3	187309A1	1	BAR, Splice, (Not Shown)
4	127813A1	1	LAMP, Service, Right Hand, Inc. 5
5	H40556	1	BULB, 12V, (Not Shown)
6	139049A2	1	SUPPORT,
7	276-1458	3	SCREW, SELF TAPPING, Hex Hd, #10 x 1/2",
7A	905-8020	4	BOLT, Hex Serr Flg, M8 x 20,
8	825-5148	4	NUT, M8, Flg Ser,
9	141730A1	1	HARNESS, WIRE, Ether Injection
10	185552A2	1	SOLENOID, 12V, Ether Injection, Inc. 10A, See Figure 02-35
10A	190752A1	1	HOUSING,
11	1345485C3	1	TRANSMITTER, Rotary Air Screen
12	185116A1	2	HEADLIGHT, Rear Flood, Inc. 13
13	323094A1	1	BULB, Type C-6, No. 894, (Not Shown)
14	130882C91	2	LIGHT, INTERIOR, , See Figure 04-30
15	92260C1	2	LAMP, Stop, Tail, See Figure 04-40
16	356872A1	1	SENDER UNIT, Fuel Level
17	245193C2	1	SENSOR, Speed, Straw Spreader
18	515-23175	3	CLAMP, 11/16", Insul, 3/8" Bolt,
18	515-23190	8	CLAMP, 3/4", Insul, 3/8" Bolt,
18	515-23222	4	CLAMP, 7/8", Insul, 3/8" Bolt,
18	515-23333	4	CLAMP, 1 5/16", Insul, 3/8" Bolt,
19	516-23127	3	CLAMP, J, 9/16" Insul, 3/8" Bolt,
20	195804C1	1	GROMMET,
21	435437A1	1	STRAP, CABLE, 3/16" x 7 1/4", 7 in
21	L18331	1	STRAP, CABLE, 15 in
22	231-5145	6	NUT, Flg, USR, 5/16"-18,
22	425-286	1	NUT, Flg, 3/8"-16, G5,
23	516-23127	1	CLAMP, J, 9/16" Insul, 3/8" Bolt,
24	515-2163	1	CLAMP, 1/8", Insul, 1/4" Bolt,
25	231-5144	1	NUT, Flg, USR, 1/4"-20,
26	409-748	1	BOLT, Hex Flg, 1/4"-20 x 1/2", Serr,
27	86561136	1	SENSOR, Flasher
28	393955A1	1	BRACKET,
29	409-7416	2	BOLT, Hex Flg, 1/4"-20 x 1", Serr,
30	495-11028	2	WASHER, 1/4", SAE,
31	231-4144	2	NUT, LOCK, 1/4"-20, GB,
32	231-5145	2	NUT, Flg, USR, 5/16"-18,
33	396377A1	1	CONNECTOR, ELEC, 6 Pin
34	430505A1	2	LAMP, , See Figure 04-42
35	260-13524	2	SCREW, SELF TAPPING, Cross Pan Hd, #10 x 1 1/2",
36	362120R1	1	CLAMP,

04-15 HARNESS, REAR

Ref	Part Number	Qty	Description
37	409-7520	1	BOLT, Hex Flg, 5/16"-18 x 1 1/4", Serr,
38	231-5145	1	NUT, Flg, USR, 5/16"-18,
39	87300598	1	KIT, Brake Lights, Australian Production Machines, Inc. 40 - 44, Not Illustrated
40	87300500	1	HARNESS, Brake Light
41	296462A1	1	SUPPORT, Brake Light Mounting
42	1983341C1	2	SWITCH,
43	614-6020	2	BOLT, Hex, M6 x 20, 8.8,
44	L18331	15	STRAP, CABLE, 15 in

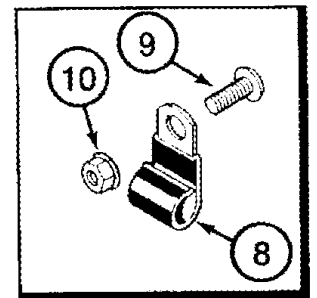
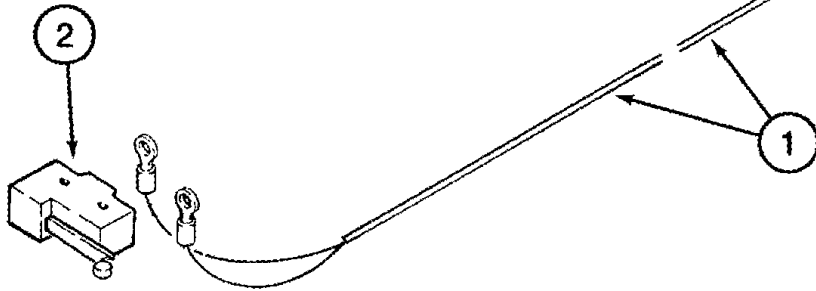
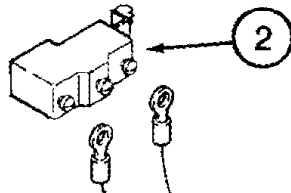
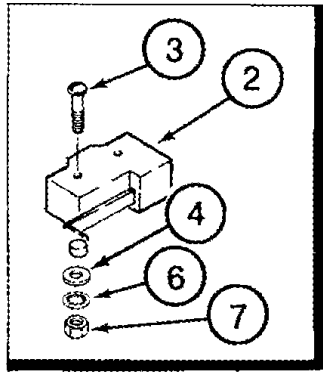
04-16 HARNESS - GRAIN TANK AND UNLOADER LAMP



04-16 HARNESS - GRAIN TANK AND UNLOADER LAMP

Ref	Part Number	Qty	Description
1	87395012	1	HARNESS, WIRE, Grain Tank, Inc. 2, 3
2	187308A1	2	CAP, (Not Shown)
3	187309A1	2	BAR, Splice, (Not Shown)
4	185118A1	2	HEADLIGHT, Flood, Left Hand and Right Hand, Inc. 5
5	139119A1	1	BULB, No. 886, (Not Shown)
6	87346939	1	SENSOR, Grain Tank Level, See Figure 09E-04 For Mounting
7	409-7512	6	BOLT, Hex Flg, 5/16"-18 x 3/4", Serr,
9	231-5145	6	NUT, Flg, USR, 5/16"-18,
10	185119A1	1	HEADLIGHT, Grain Tank , See Figure 04-31
11	537641R2	1	SWITCH, Unloader Out
12	490-1108	2	SCREW, Cross Pan Hd, #10-32 x 1/2",
13	493-81000	2	WASHER, LOCK, Ext-Int Tooth, #10,
14	1338003C1	1	BRACKET,
16	86976974	1	GROMMET, 3/4 ID
16	198823C1	2	GROMMET, 3/8 ID
17	362126R1	3	CLIP,
18	370383R1	6	CLIP, 3/4 ID
19	184740A2	1	HARNESS, WIRE, Unloader Lamp
20	185116A1	1	HEADLIGHT, Unloader, Inc. 21
21	323094A1	1	BULB, Type C-6, No. 894, (Not Shown)
22	515-23127	3	CLAMP, 1/2", Insul, 3/8" Bolt,
23	844-8025	4	BOLT, Hex Flg, M8 x 25, 8.8,
24	825-2408	4	NUT, M8 x 1.25, Flg, Cl 8,
25	363660R1	1	CLIP,
26	435437A1	7	STRAP, CABLE, 3/16" x 7 1/4", 7 in
27	197991A1	2	CLIP, ELECTRICAL, Grain Tank Switch
28	409-7524	1	BOLT, Hex Flg, 5/16"-18 x 1 1/2", Serr,
29	231-5145	1	NUT, Flg, USR, 5/16"-18,
30	516-23127	5	CLAMP, J, 9/16" Insul, 3/8" Bolt,
31	477-73112	1	BOLT, Slotted Tr Hd, 5/16"-18 x 3/4",
32	231-5145	1	NUT, Flg, USR, 5/16"-18,
33	300433A1	1	SUPPORT, Unloader Lamp
34	430504A1	2	LAMP, 55W, Aftercut, See Figure 04-38
35	185116A1	1	HEADLIGHT, 37.5W, See Figure 04-38
36	370383R1	6	CLIP,

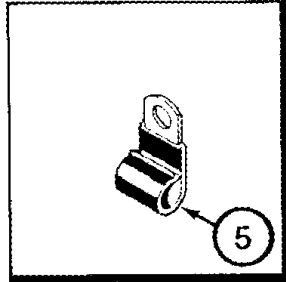
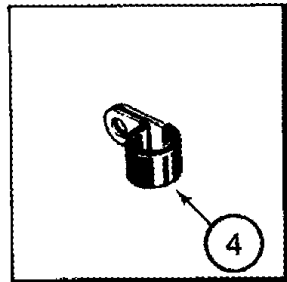
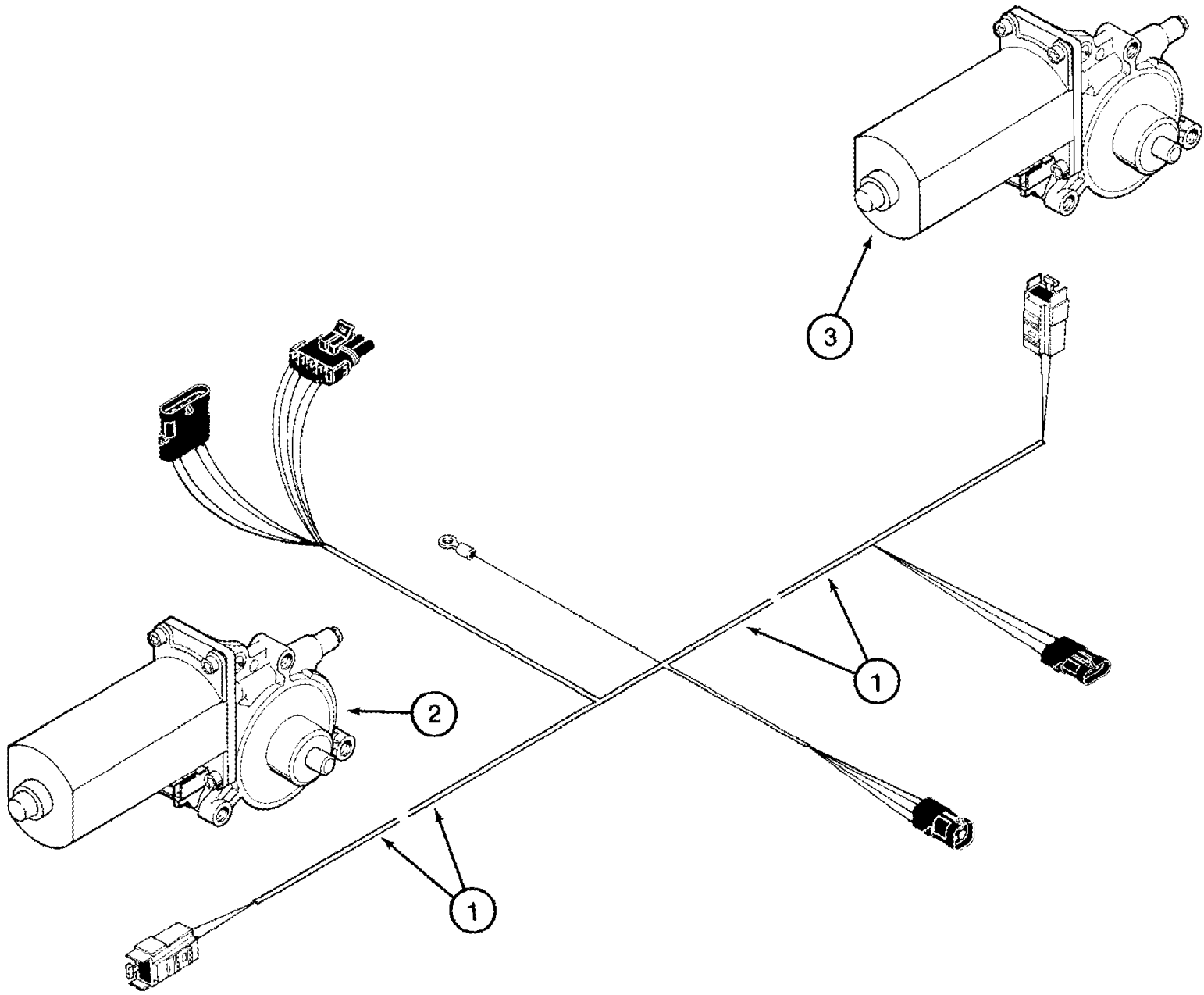
04-17 HARNESS - ROTOR LIMIT SWITCH



04-17 HARNESS - ROTOR LIMIT SWITCH

Ref	Part Number	Qty	Description
1	245240C1	1	HARNESS, WIRE, Rotor Limit Switch
2	128298A2	2	SWITCH, Rotor
3	440-10620	4	SCREW, Cross Pan Hd, #6-32 x 1 1/4",
4	495-61020	4	WASHER, 13/64" x 1/2" x .060",
6	280384	4	WASHER, LOCK, Int Tooth, #6,
7	230-42406	4	NUT, LOCK, #6-32, GA,
8	362120R1	2	CLAMP, 9/16 ID
9	477-73808	1	SCREW, Slt'd Serr Truss Hd, 3/8"-16 x 1/2",
10	231-5146	1	NUT, Flg, USR, 3/8"-16,

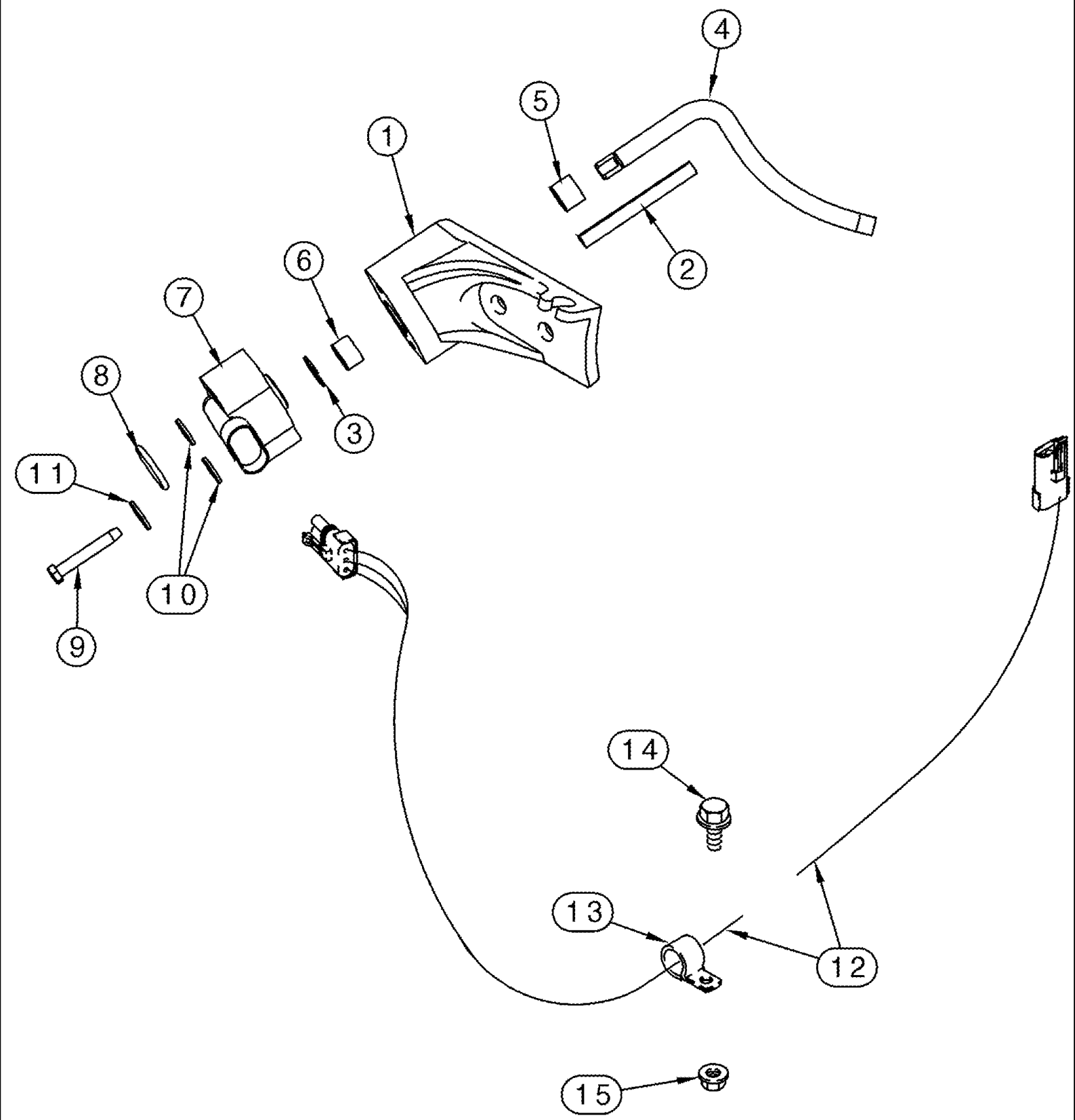
04-18 HARNESS - FAN AND ROTOR SPEED



04-18 HARNESS - FAN AND ROTOR SPEED

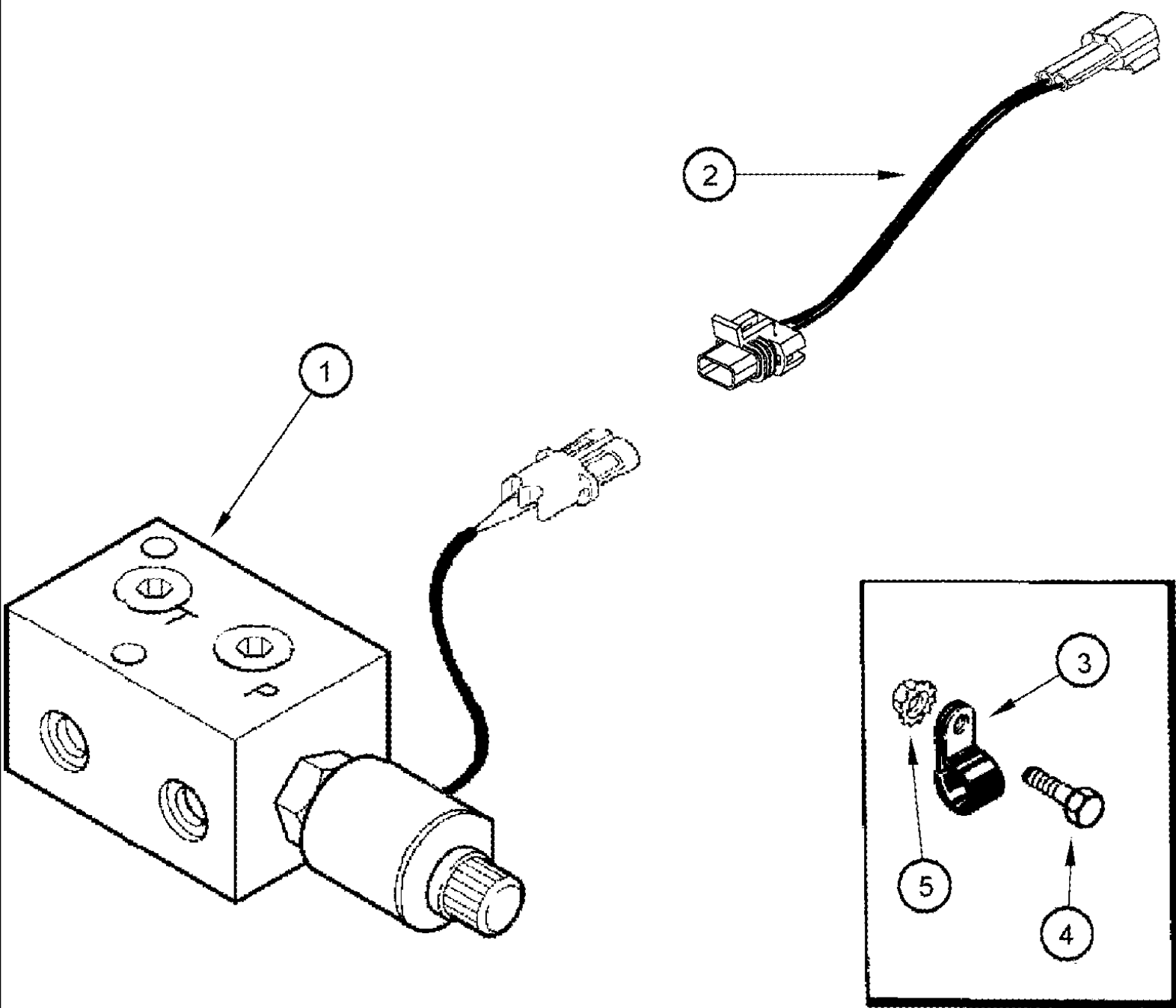
Ref	Part Number	Qty	Description
1	184397A2	1	HARNESS, Fan and Rotor Speed, BSN HAJ303001
1	87671902	1	HARNESS, WIRE, Fan and Rotor Speed, ASN HAJ303001
2	111787A2	1	MOTOR, ELECTRIC, Rotor Speed, BSN HAJ303001
2	87693674	1	MOTOR, ELECTRIC, Rotor Speed, ASN HAJ303001
3	111787A2	1	MOTOR, ELECTRIC, Fan Speed, BSN HAJ303001
3	87693674	1	MOTOR, ELECTRIC, Fan Speed, ASN HAJ303001
4	515-23190	2	CLAMP, 3/4", Insul, 3/8" Bolt,
5	516-23127	8	CLAMP, J, 9/16" Insul, 3/8" Bolt,
6	434-512	3	BOLT, CARRIAGE, Short NK, 5/16"-18 x 3/4", G5, Full Thd, (Not Shown)
7	231-5145	3	NUT, Flg, USR, 5/16"-18, (Not Shown)

04-19 HARNESS - TAILINGS MONITOR



04-19 HARNESS - TAILINGS MONITOR

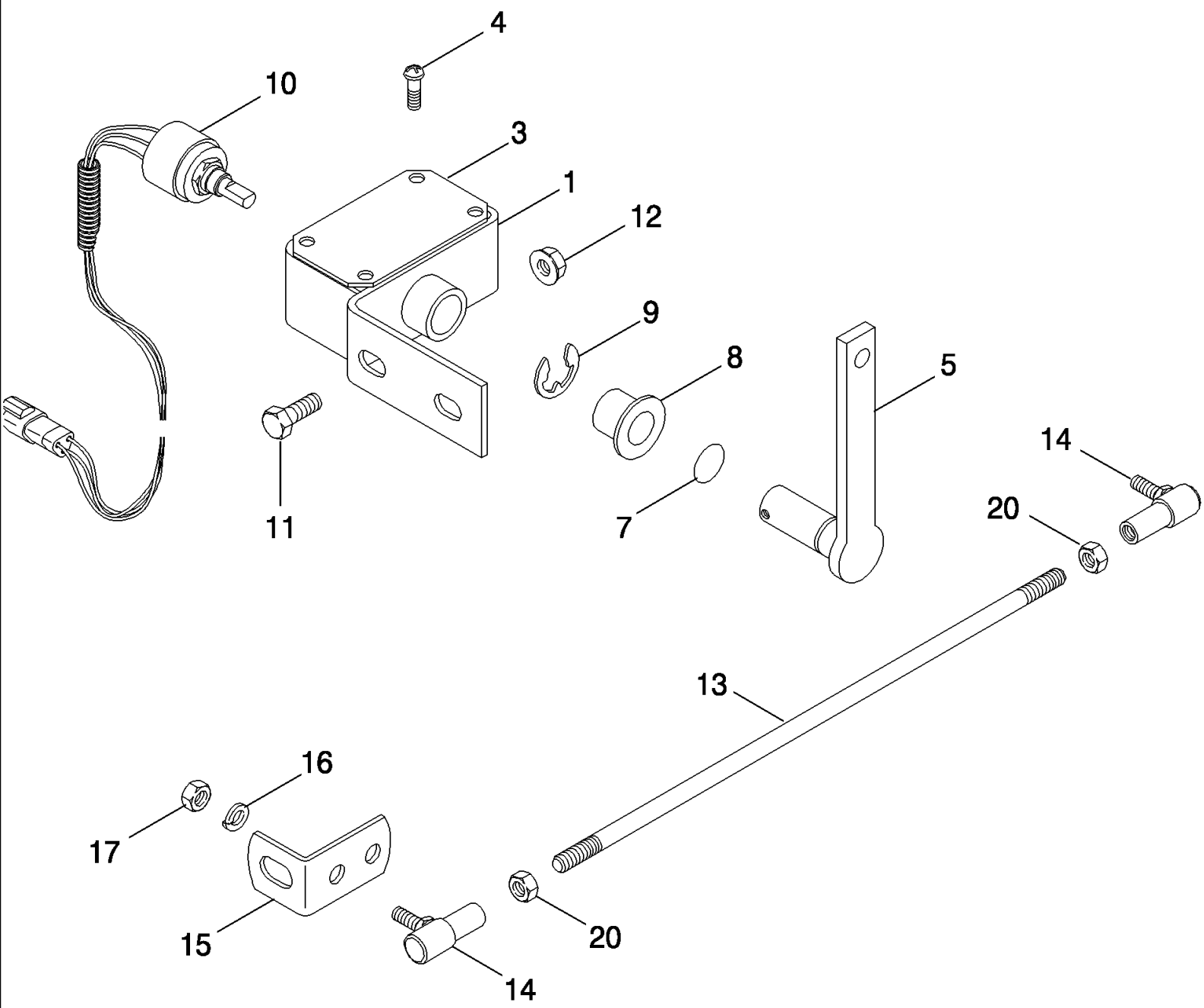
Ref	Part Number	Qty	Description
	225763A6	1	SENSOR, Inc. 1 - 11
	225762A6	1	HOUSING, Tailings Sensor, Inc. 1 - 6
1	NSS	1	NOT SERVICED SEPARATELY, Housing
2	38-31636	1	PIN, 1/4" x 2 1/4", Coiled,
3	103-3431	1	RING, LOCKING, #31, Ext, E-Type,
4	NSS	1	NOT SERVICED SEPARATELY, Arm
5	239246A1	1	BEARING, NEEDLE,
6	247223A1	1	BEARING, NEEDLE,
7	221847A1	1	SENSOR, Tailings
8	238-5115	1	O-RING, -115, 70 Duro, .674" ID x .103" Thk,
9	463-11024	2	SCREW, Hex Hd, #10-24 x 1 1/2",
10	495-31022	2	WASHER, #10,
11	239809A1	1	WASHER,
12	225384A4	1	HARNESS, WIRE, Tailings Monitor
13	516-2395	2	CLAMP, J, 7/16" Insul, 3/8" Bolt,
14	409-7512	2	BOLT, Hex Flg, 5/16"-18 x 3/4", Serr,
15	425-285	2	NUT, Flg, 5/16"-18, G5,



04-20 HARNESS - FEEDER REVERSER

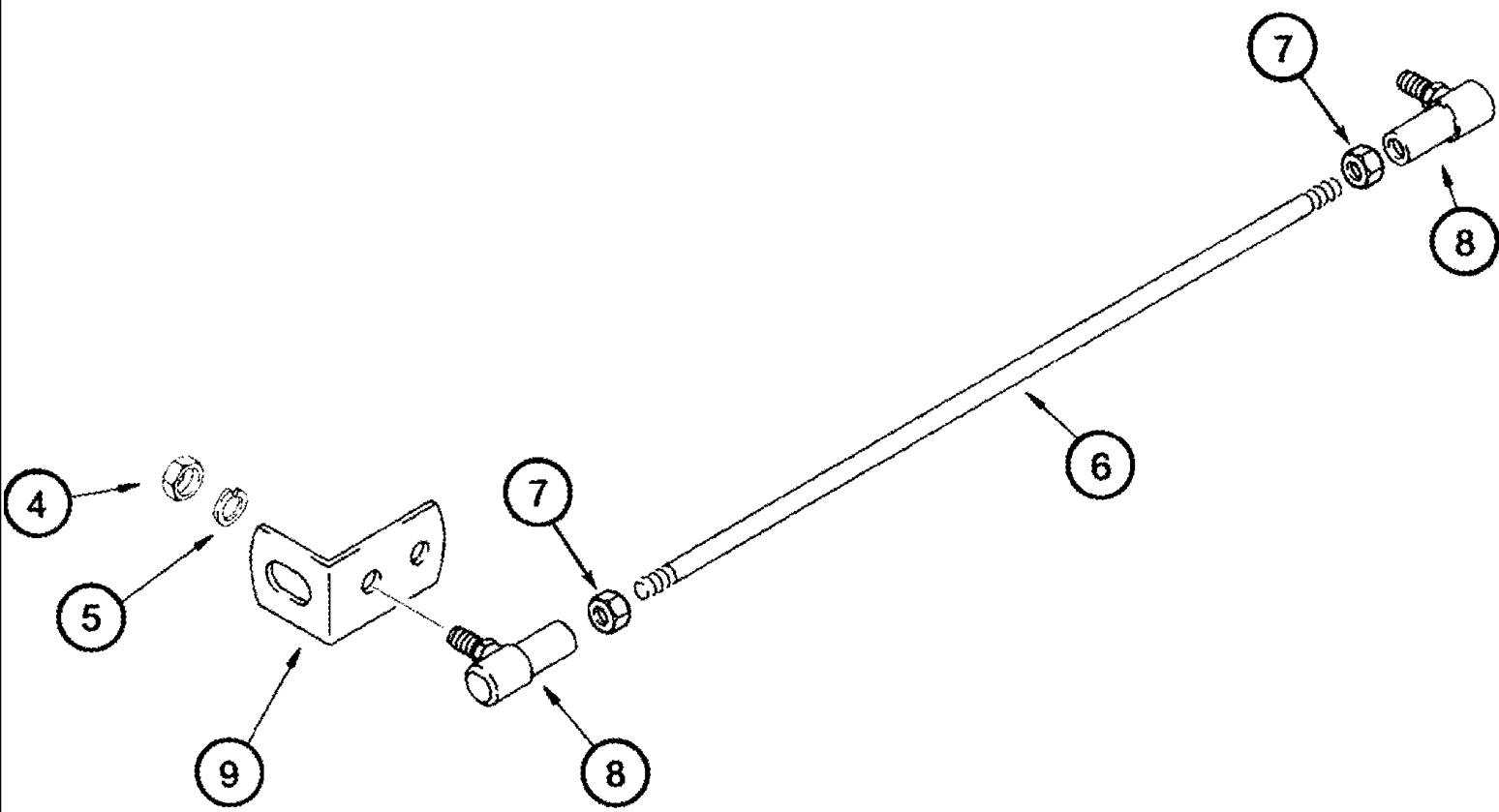
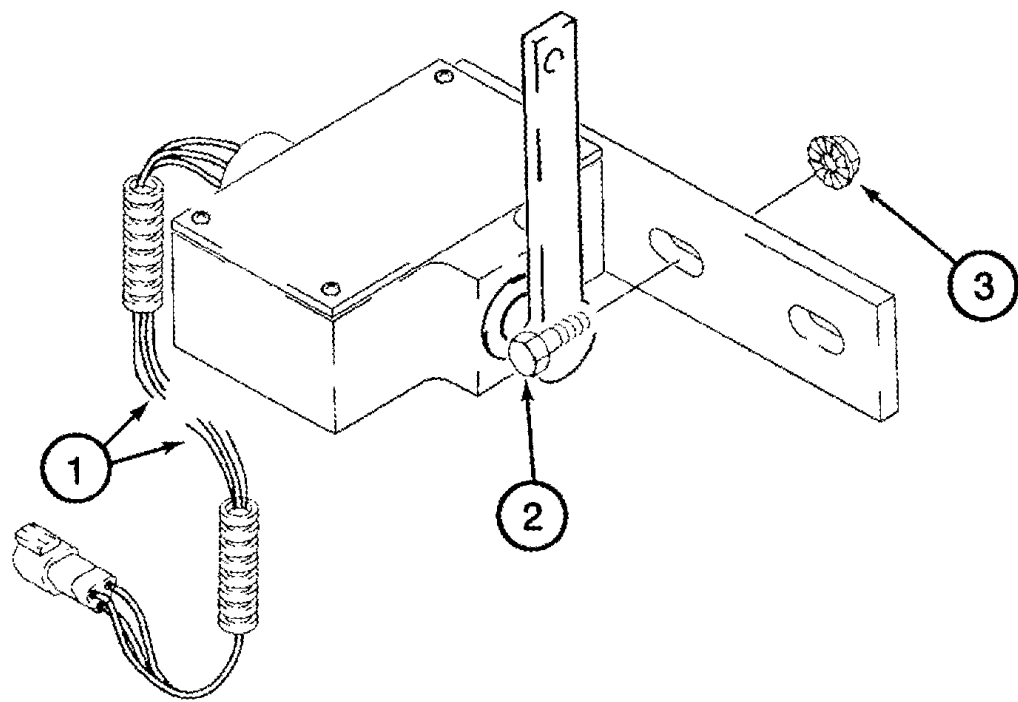
Ref	Part Number	Qty	Description
1	393904A1	1	VALVE, Feeder Reverser, See Figure 08-36
2	390754A2	1	HARNESS, WIRE, Feeder Reverser
3	515-2395	1	CLAMP, 3/8", Insul, 3/8" Bolt,
4	409-7512	1	BOLT, Hex Flg, 5/16"-18 x 3/4", Serr,
5	231-5145	1	NUT, Flg, USR, 5/16"-18,

04-21 POTENTIOMETER, FEEDER POSITION - MOUNTING



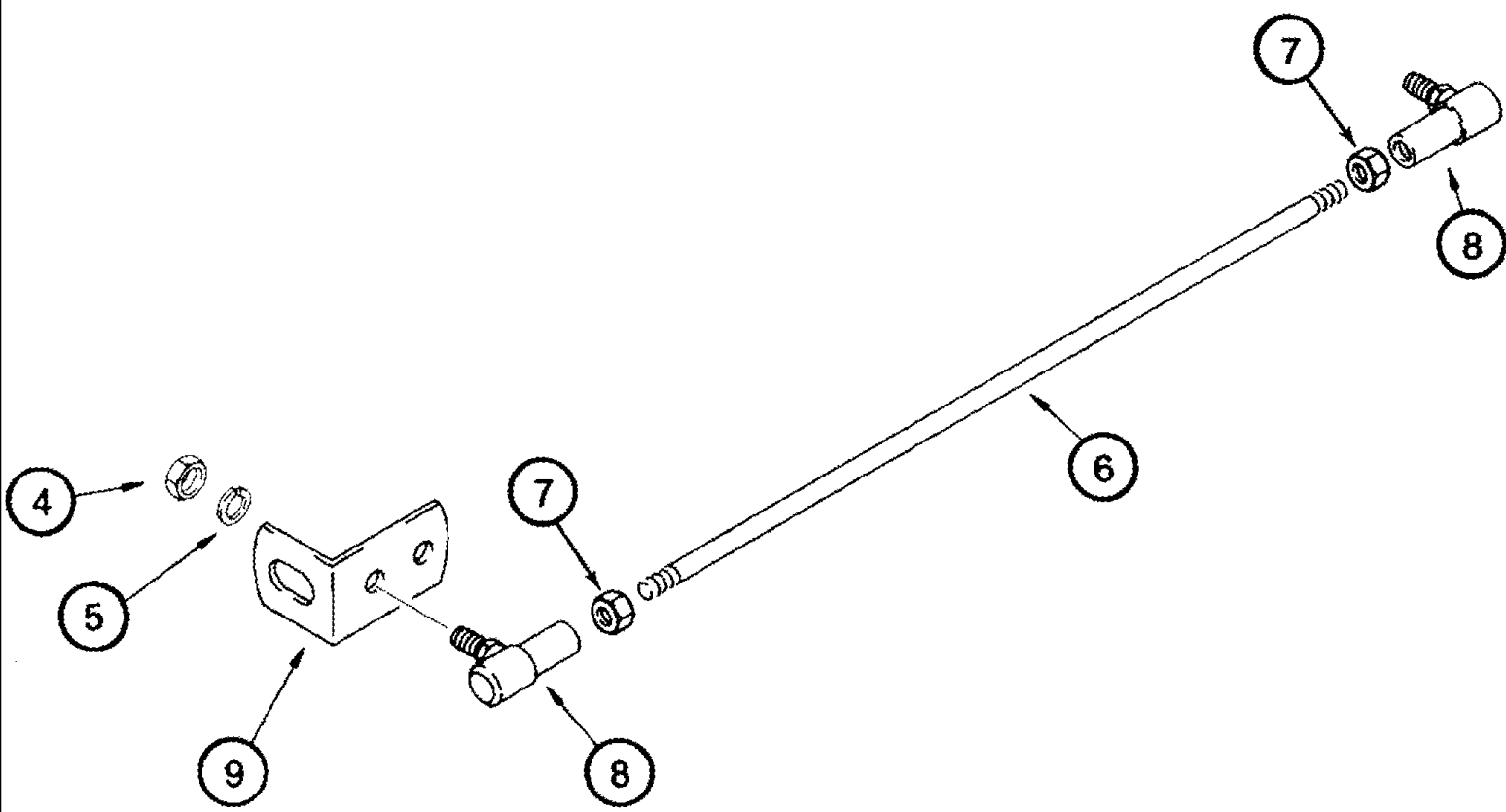
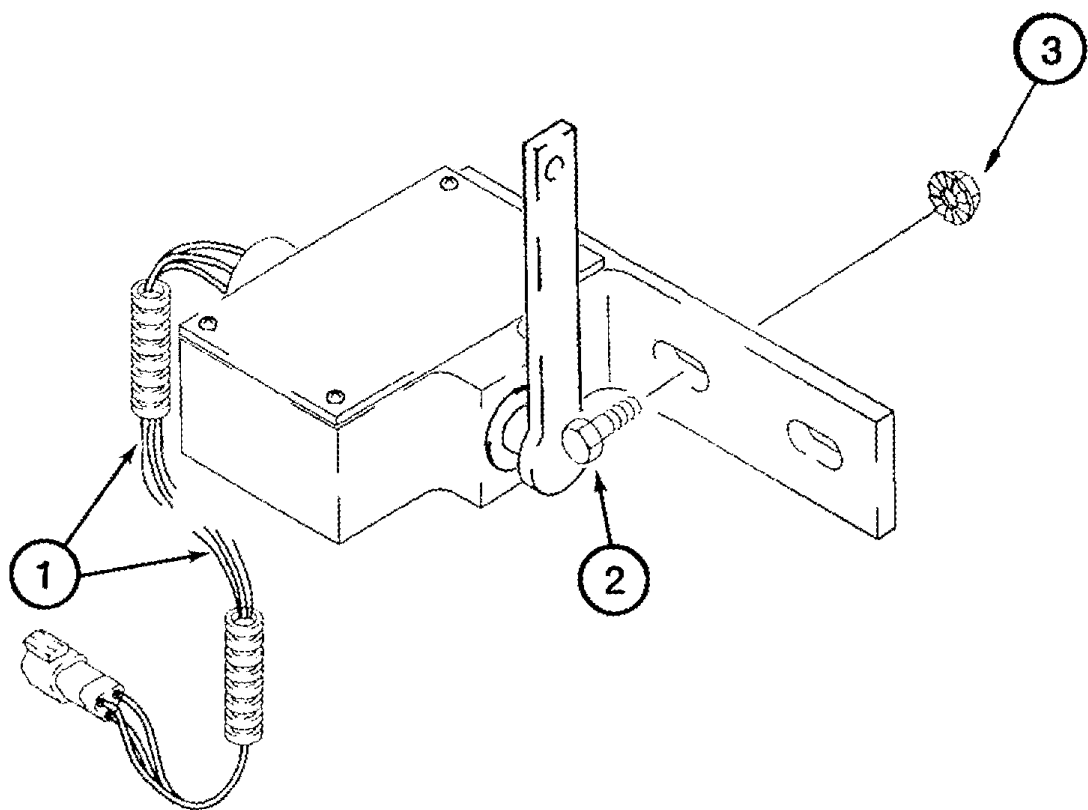
04-21 POTENTIOMETER, FEEDER POSITION - MOUNTING

Ref	Part Number	Qty	Description
	NSS	1	NOT SERVICED SEPARATELY, Potentiometer Assy, Yield Monitor, Right Hand, Inc. 1 - 10, Order 239136A1, See Figure 04-22
	NSS	1	NOT SERVICED SEPARATELY, Potentiometer Assy, Return To Cut, Left Hand, Inc. 1 - 10, Order 87315263, See Figure 04-23
1	NSS	1	NOT SERVICED SEPARATELY, Support
2	238458A1	2	COVER, Potentiometer Support
3	280001A1	2	GASKET, Potentiometer Support, (Not Shown)
4	261-5428	8	SCREW, SELF TAPPING, Cross Pan Hd, #4 x 1/2",
5	143225A3	1	LEVER, Position, Inc. 6
6	878-1046	1	SET SCREW, Hex Soc, M4 x 6, Cup Pt,
7	238-5012	1	O-RING, -012, 70 Duro, .364" ID x .070" Thk, (Not Shown)
8	87314576	1	BUSHING, Sensor
9	103-3350	1	RING, LOCKING, #50, .392" Dia, E-Type,
10	122756A3	1	POTENTIOMETER, Position
11	413-48	1	BOLT, Hex, 1/4"-20 x 1/2", G5, Full Thd,
12	231-5144	1	NUT, Flg, USR, 1/4"-20,
13	301522A1	1	TIE-ROD, THREADED, 1/4 NF x 6-1/2, Inc. 20
14	A10329	2	BALL JOINT, 1/4 NF
15	127308A2	1	SUPPORT,
16	492-11025	2	WASHER, LOCK, 1/4",
17	425-114	2	NUT, 1/4"-28, G5,
18	363660R1	1	CLIP, Rear Harness, (Not Shown)
19	516-23127	1	CLAMP, J, 9/16" Insul, 3/8" Bolt, (Not Shown)
20	425-114	2	NUT, 1/4"-28, G5,



04-22 POTENTIOMETER, FEEDER POSITION - MOUNTING - YIELD MONITOR

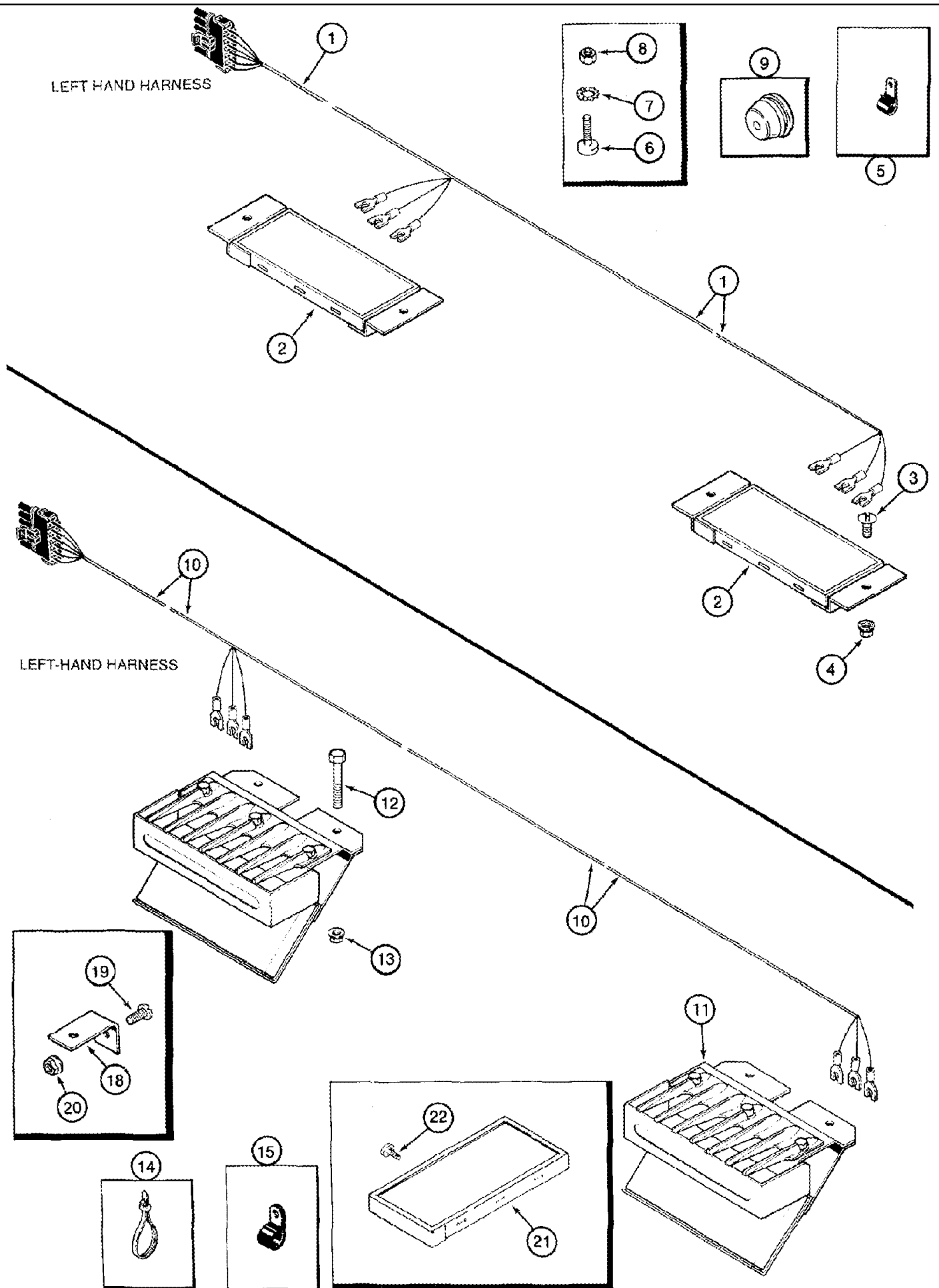
Ref	Part Number	Qty	Description
1	239136A1	1	POTENTIOMETER, Yield Monitor, Right Hand, See Figure 04-21
2	413-48	1	BOLT, Hex, 1/4"-20 x 1/2", G5, Full Thd,
3	231-5144	1	NUT, Flg, USR, 1/4"-20,
4	425-114	2	NUT, 1/4"-28, G5,
5	492-11025	2	WASHER, LOCK, 1/4",
6	301522A1	1	TIE-ROD, THREADED, 1/4 NF x 6-1/2, Inc. 7
7	425-114	2	NUT, 1/4"-28, G5,
8	A10329	2	BALL JOINT, 1/4 NF
9	127308A2	1	SUPPORT,



04-23 POTENTIOMETER, FEEDER POSITION - MOUNTING - RETURN TO CUT

Ref	Part Number	Qty	Description
1	238459A1	1	POTENTIOMETER, Return To Cut, Left Hand, See Figure 04-21
2	413-48	1	BOLT, Hex, 1/4"-20 x 1/2", G5, Full Thd,
3	231-5144	1	NUT, Flg, USR, 1/4"-20,
4	425-114	2	NUT, 1/4"-28, G5,
5	492-11025	2	WASHER, LOCK, 1/4",
6	301522A1	1	TIE-ROD, THREADED, 1/4 NF x 6-1/2, Inc. 7
7	425-114	2	NUT, 1/4"-28, G5,
8	A10329	2	BALL JOINT, 1/4 NF
9	127308A2	1	SUPPORT,

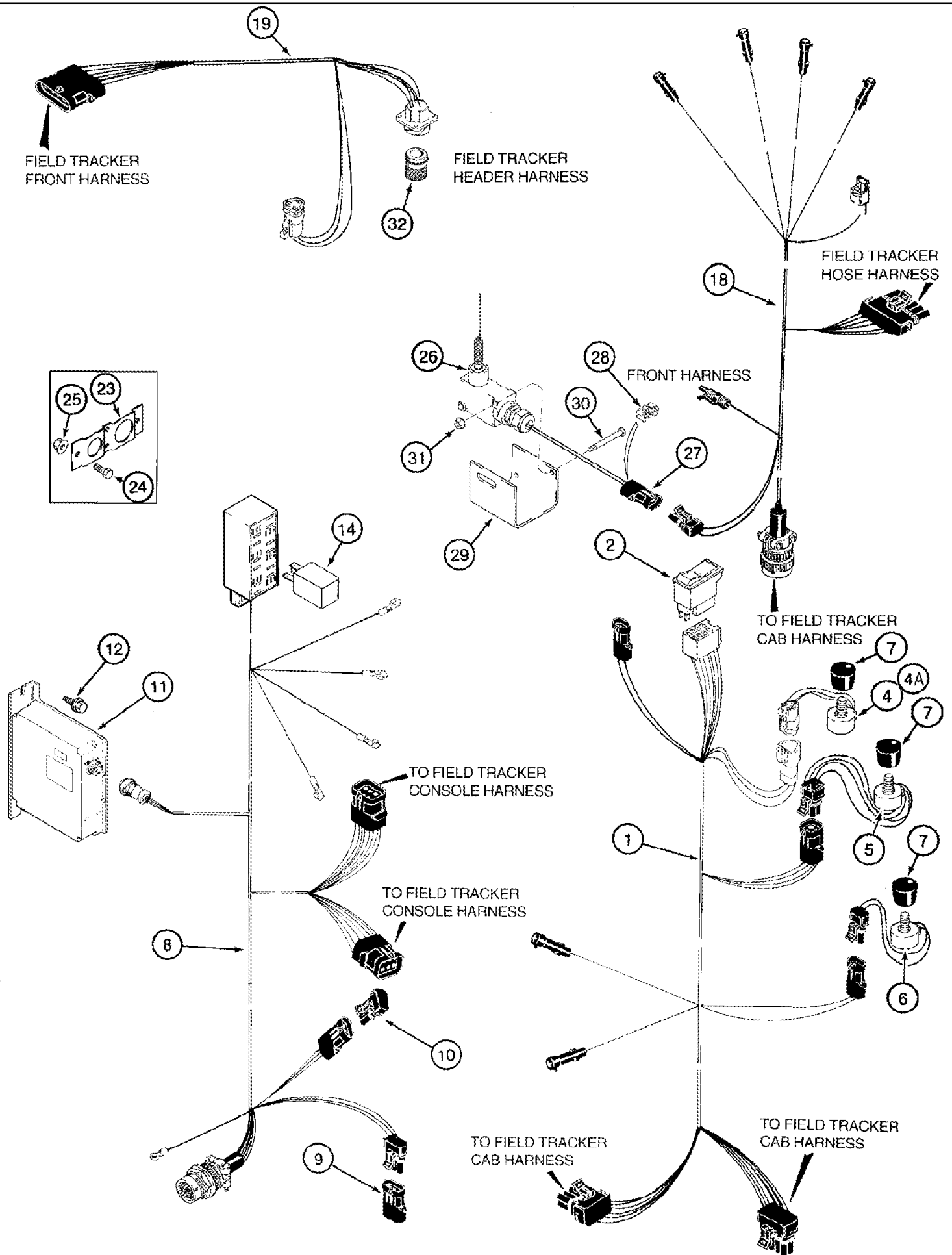
04-24 HARNESS - CHAFFER AND ROTOR



04-24 HARNESS - CHAFFER AND ROTOR

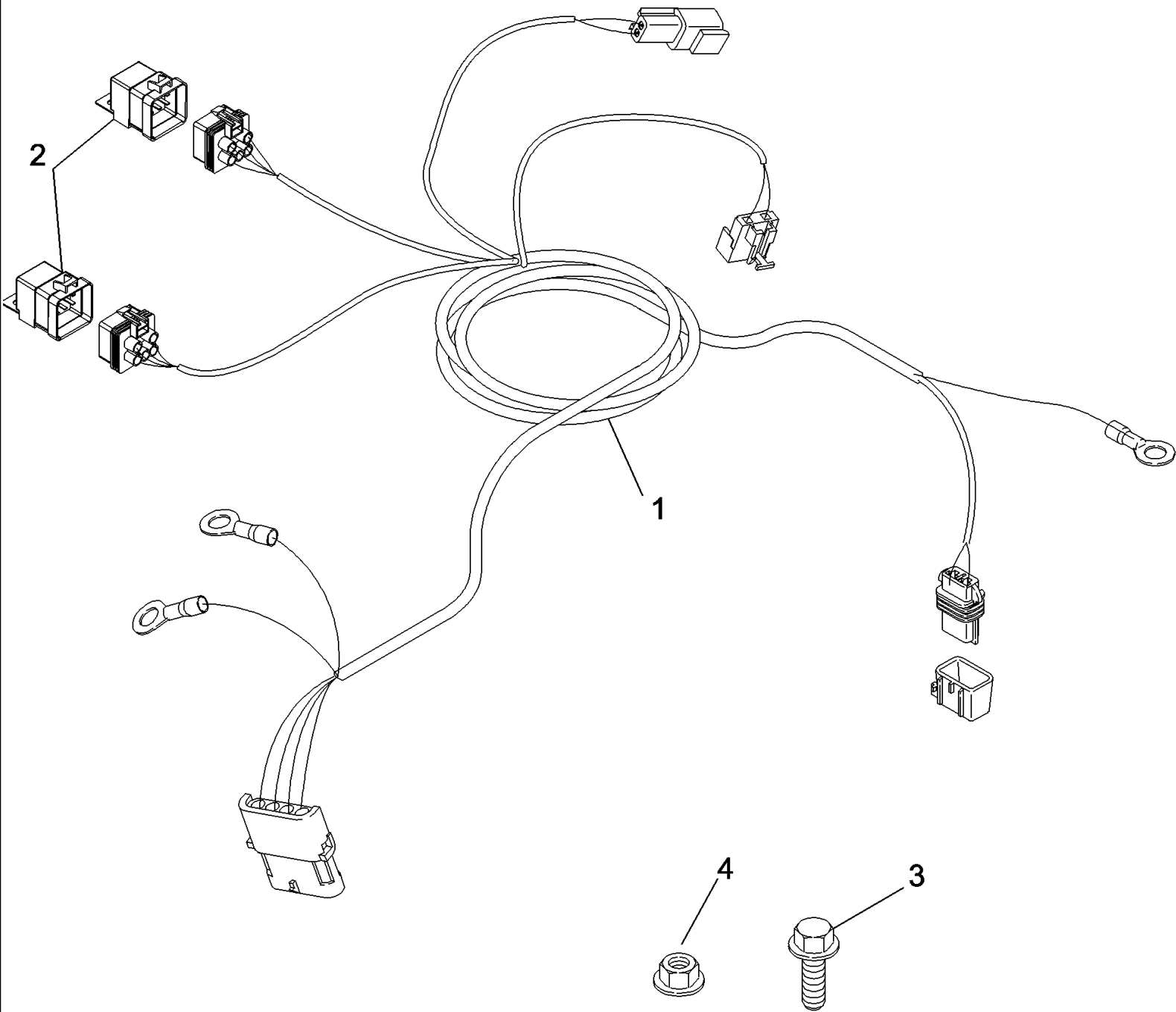
Ref	Part Number	Qty	Description
1	127831A2	1	HARNESS, WIRE, Rotor Sensor
2	245362C1	2	TRANSMITTER, Inc. 21
3	477-73112	4	BOLT, Slotted Tr Hd, 5/16"-18 x 3/4",
4	231-5145	4	NUT, Flg, USR, 5/16"-18,
5	516-23127	2	CLAMP, J, 9/16" Insul, 3/8" Bolt,
5	515-2395	4	CLAMP, 3/8", Insul, 3/8" Bolt,
6	440-10610	4	SCREW, Cross Pan Hd, #6-32 x 5/8", Rotor Pad Mounting Hardware
7	493-11014	4	WASHER, LOCK, Ext-Int Tooth, #6, Rotor Pad Mounting Hardware
8	225-14106	4	NUT, #6-32, Rotor pad mounting hardware
9	195806C1	1	GROMMET,
10	92201C1	1	HARNESS, WIRE, Chaffer Sensor
11	245361C2	2	TRANSMITTER, Inc. 11A, 11B
11A	245884C1	1	TRANSMITTER, (Not Shown)
11B	231000A1	1	SIEVE, (Not Shown)
12	413-536	4	BOLT, Hex, 5/16"-18 x 2 1/4", G5,
13	231-5145	8	NUT, Flg, USR, 5/16"-18,
14	22-824	1	STRAP, CABLE, 3/16" x 7 1/4",
15	515-23175	1	CLAMP, 11/16", Insul, 3/8" Bolt,
15	515-23127	1	CLAMP, 1/2", Insul, 3/8" Bolt,
15	515-2163	2	CLAMP, 1/8", Insul, 1/4" Bolt,
18	1301242C1	1	BRACKET,
19	477-73112	1	BOLT, Slotted Tr Hd, 5/16"-18 x 3/4",
20	231-5145	1	NUT, Flg, USR, 5/16"-18,
21	245884C1	1	TRANSMITTER, Grain Scan Sensor Block
22	260-1356	4	SCREW, SELF TAPPING, Cross Pan Hd, #10 x 3/8",

04-25 HARNESS - FIELD TRACKER



04-25 HARNESS - FIELD TRACKER

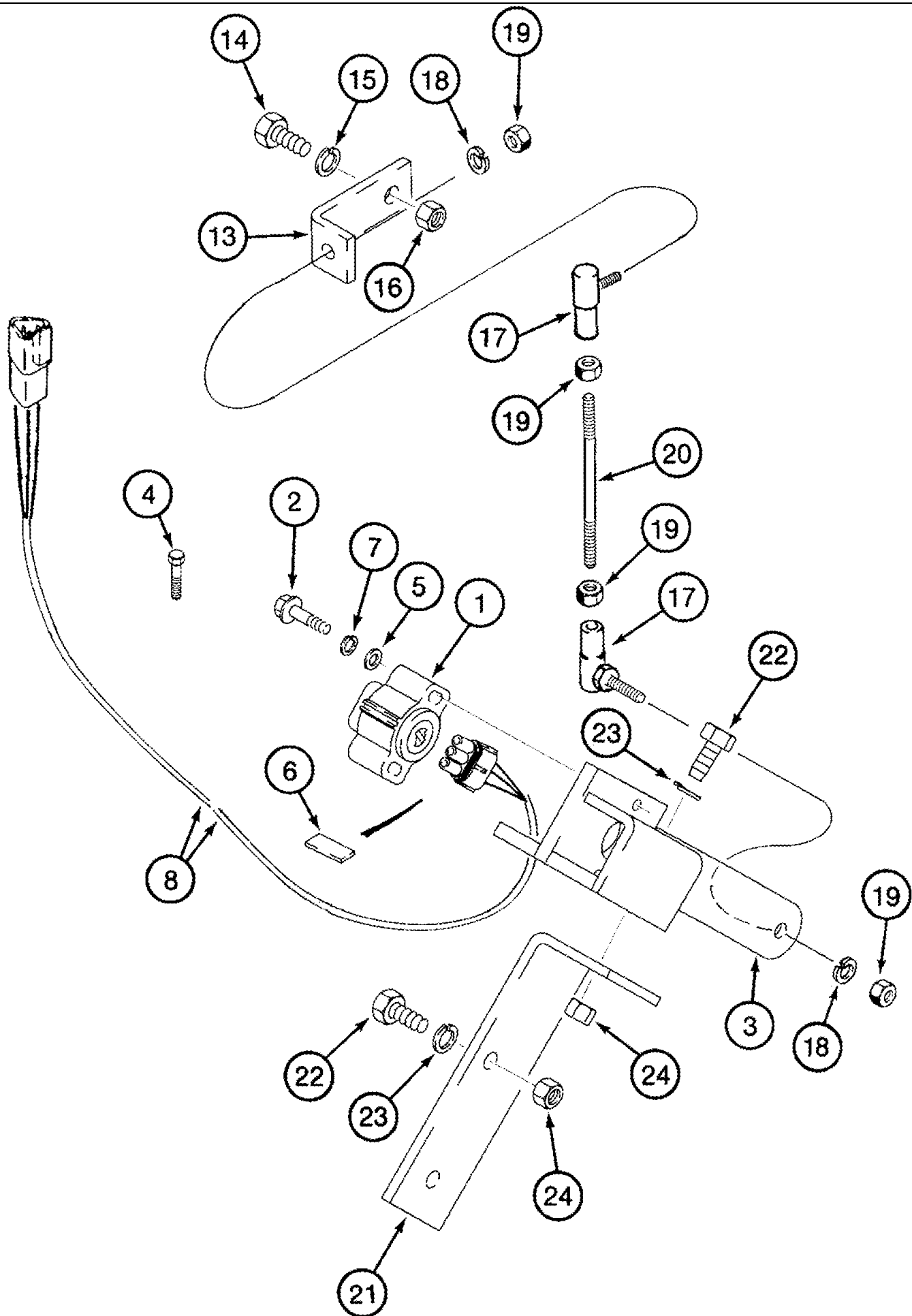
Ref	Part Number	Qty	Description
1	125838A2	1	HARNESS, WIRE, Console, Field Tracker
2	109814A1	1	SWITCH, Auto/Manual, Inc. 109915A1, 109826A1, 3141107R1, 134608A1
	109915A1	1	SYMBOLS, Lens
	109826A1	1	SWITCH,
	3141107R1	1	BULB, W5/1.2, 12V, 1.2W,
	134608A1	1	SUPPORT, Socket, Lamp
4	114551A1	1	POTENTIOMETER, 2.5K, HVAC Controls
4A	345346A1	1	POTENTIOMETER, 1 K, Balance Field Tracker
5	114553A1	1	POTENTIOMETER, 10K, Sensitivity
6	133498A2	1	POTENTIOMETER, 50K, Response
7	118780A1	3	KNOB,
8	276484A1	1	HARNESS, WIRE, Cab, Field Tracker, Inc. 9, 10
9	126011A1	1	DIODE,
10	A187874	1	DIODE,
11	100275A2	1	ELECTRONIC UNIT, CONTROL, Replaces 100275A1
12	191216A1	2	SCREW, SELF TAPPING, Hex Wash Hd, #10-24 x 5/8",
13	495-31022	2	WASHER, #10, (Not Shown)
14	87414866	5	RELAY, 20 amp, Continuous Duty
18	276479A2	1	HARNESS, WIRE, Front, Field Tracker
19	141729A1	1	HARNESS, WIRE, Hose, Field Tracker
23	1988724C1	1	SUPPORT, Monitor
24	87302571	3	SCREW, Hex Wash Hd, #10-24 x 1",
25	231-51409	3	NUT, Flg, USR, #10-24,
	298817A1	1	SWITCH, Inc. 26 - 31, With Accumulator, With Field Tracker
26	297976A1	1	SWITCH, Inc. 27, 28
27	182068A1	1	CONNECTOR,
28	182070A1	1	RETAINER,
29	296852A1	1	SUPPORT,
30	440-11028	2	SCREW, Cross Pan Hd, #10-24 x 1 3/4", If Used
30	440-10828	2	SCREW, Cross Pan Hd, #8-32 x 1 3/4", If Used
31	231-51409	2	NUT, Flg, USR, #10-24, If used
31	231-14408	2	NUT, LOCK, #8-32, GB, If Used
32	302292A1	1	PLASTIC PLUG,
33	L18331	1	STRAP, CABLE, 15 in (Not Shown)
33	435437A1	2	STRAP, CABLE, 3/16" x 7 1/4", 7 in (Not Shown)



2388 CASE IH AXIAL-FLOW COMBINE (RU) ASN HAJ0300001 (10/06-)

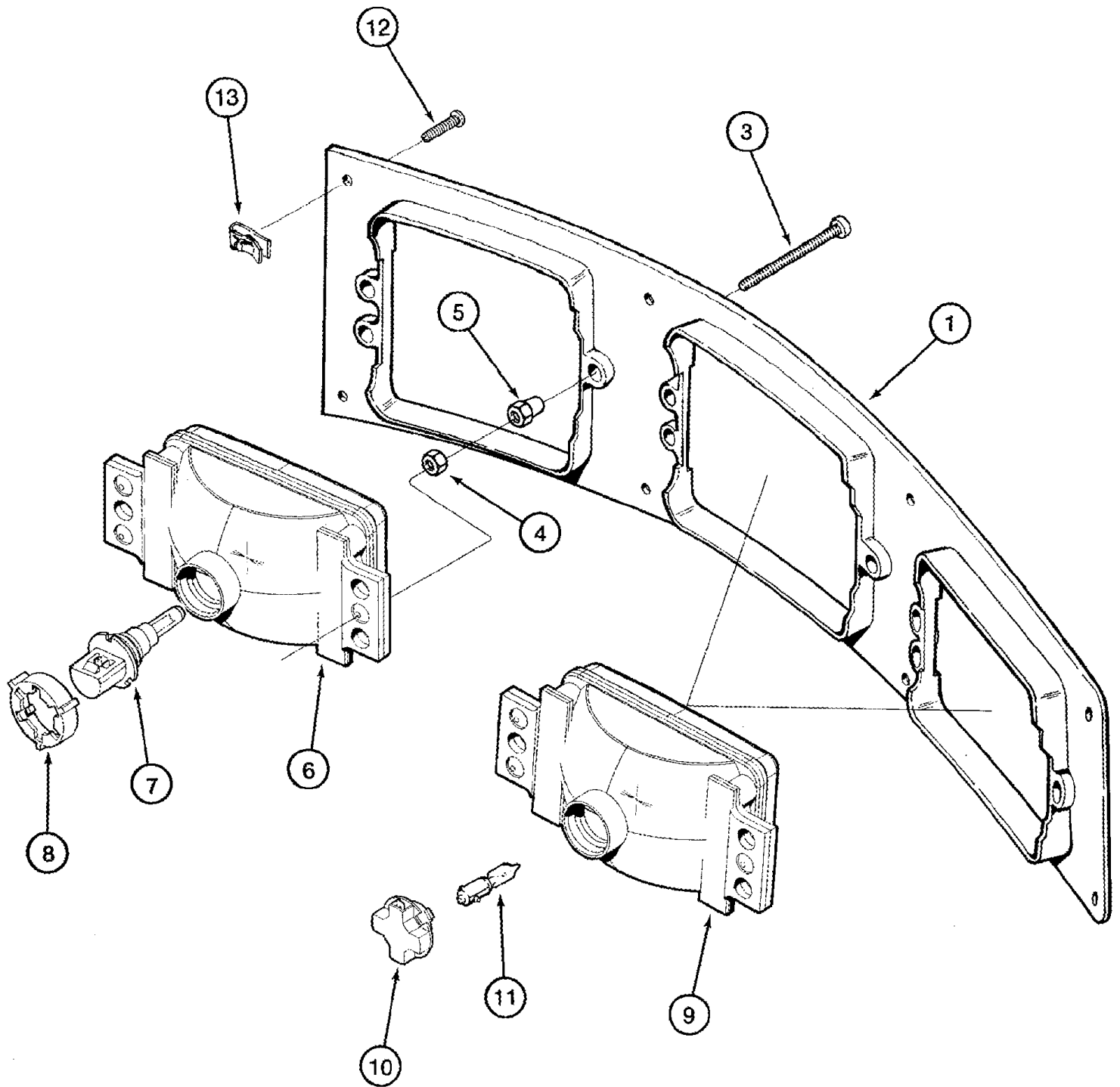
04-26 HARNESS - ROTOR MOTOR CONTROL - ASN HAJ303001

Ref	Part Number	Qty	Description
1	87703321	1	HARNESS, WIRE, Motor Control
2	86508603	2	SWITCH, REMOTE CONTROL, Sealed Relay
3	409-7412	2	BOLT, Hex Flg, 1/4"-20 x 3/4", Serr,
4	231-5144	2	NUT, Flg, USR, 1/4"-20,



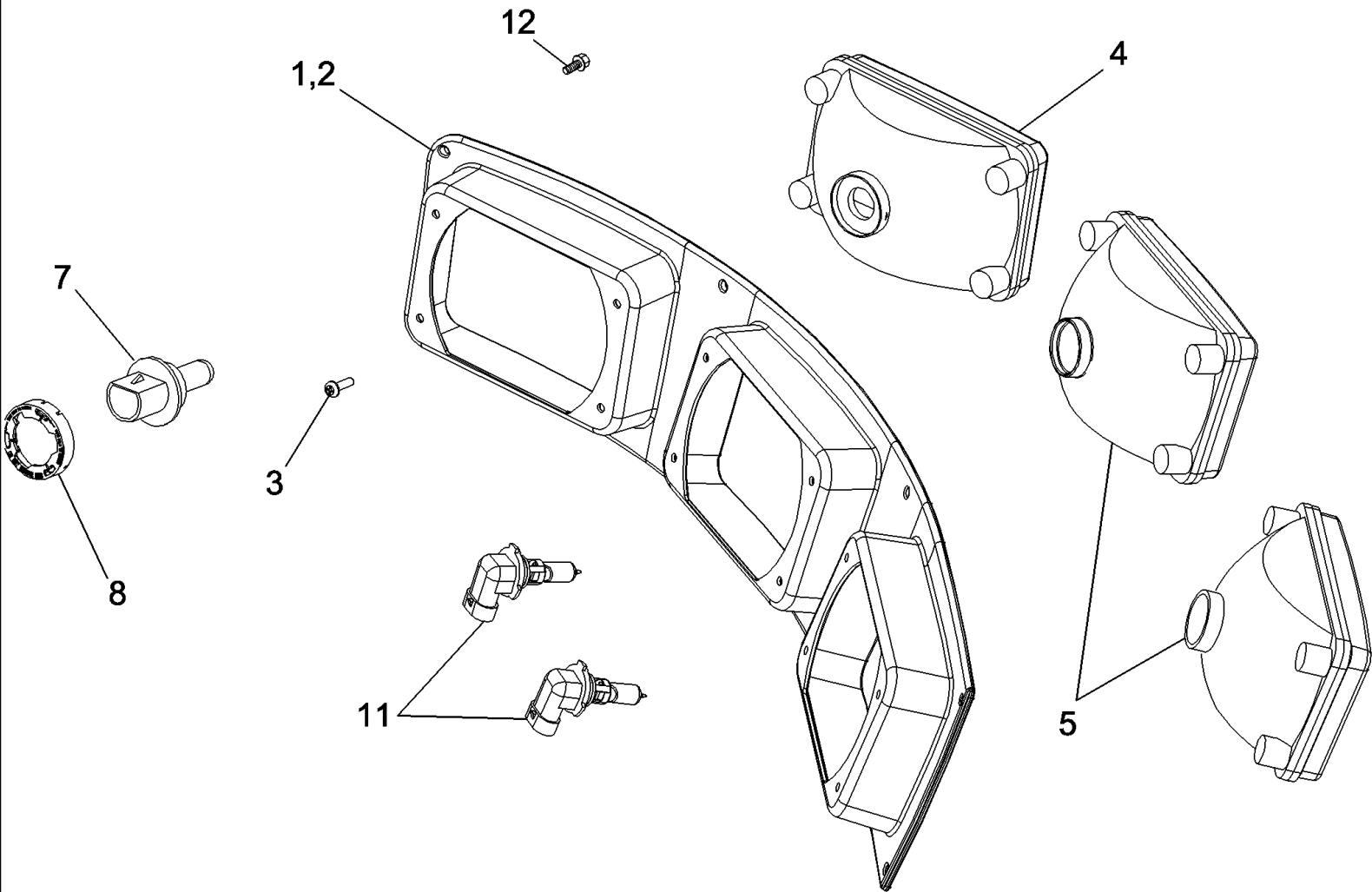
04-27 FIELD TRACKER® - MOUNTING, POTENTIOMETER

Ref	Part Number	Qty	Description
	253107A1	2	SUPPORT, Field Tracker, Inc. 1 - 7
1	126771A1	1	POTENTIOMETER, Sensor, 4K
2	463-31020	2	SCREW, Hex Wash Hd, #10-24 x 1 1/4",
3	253108A1	1	SUPPORT,
4	281-14812	2	SCREW, SELF TAPPING, Hex Wash Hd, 5/16" x 3/4",
5	495-11022	2	WASHER, #10,
6	189728A1	1	LEVER, Activator
7	492-11010	2	WASHER, LOCK, #10,
8	253071A1	1	HARNESS, WIRE, Sensor Wire
13	253109A1	1	SUPPORT,
14	413-516	1	BOLT, Hex, 5/16"-18 x 1", G5, Full Thd,
15	492-11031	1	WASHER, LOCK, 5/16",
16	425-105	1	NUT, 5/16"-18, G5,
17	100282A1	2	BALL JOINT, 1/4 NF
18	492-11025	2	WASHER, LOCK, 1/4",
19	425-114	4	NUT, 1/4"-28, G5,
20	100281A1	1	STEM,
21	253076A1	1	SUPPORT,
22	413-516	2	BOLT, Hex, 5/16"-18 x 1", G5, Full Thd,
23	492-11031	4	WASHER, LOCK, 5/16",
24	425-105	4	NUT, 5/16"-18, G5,



04-28 LAMP ASSY - DRIVE AND FLOOD

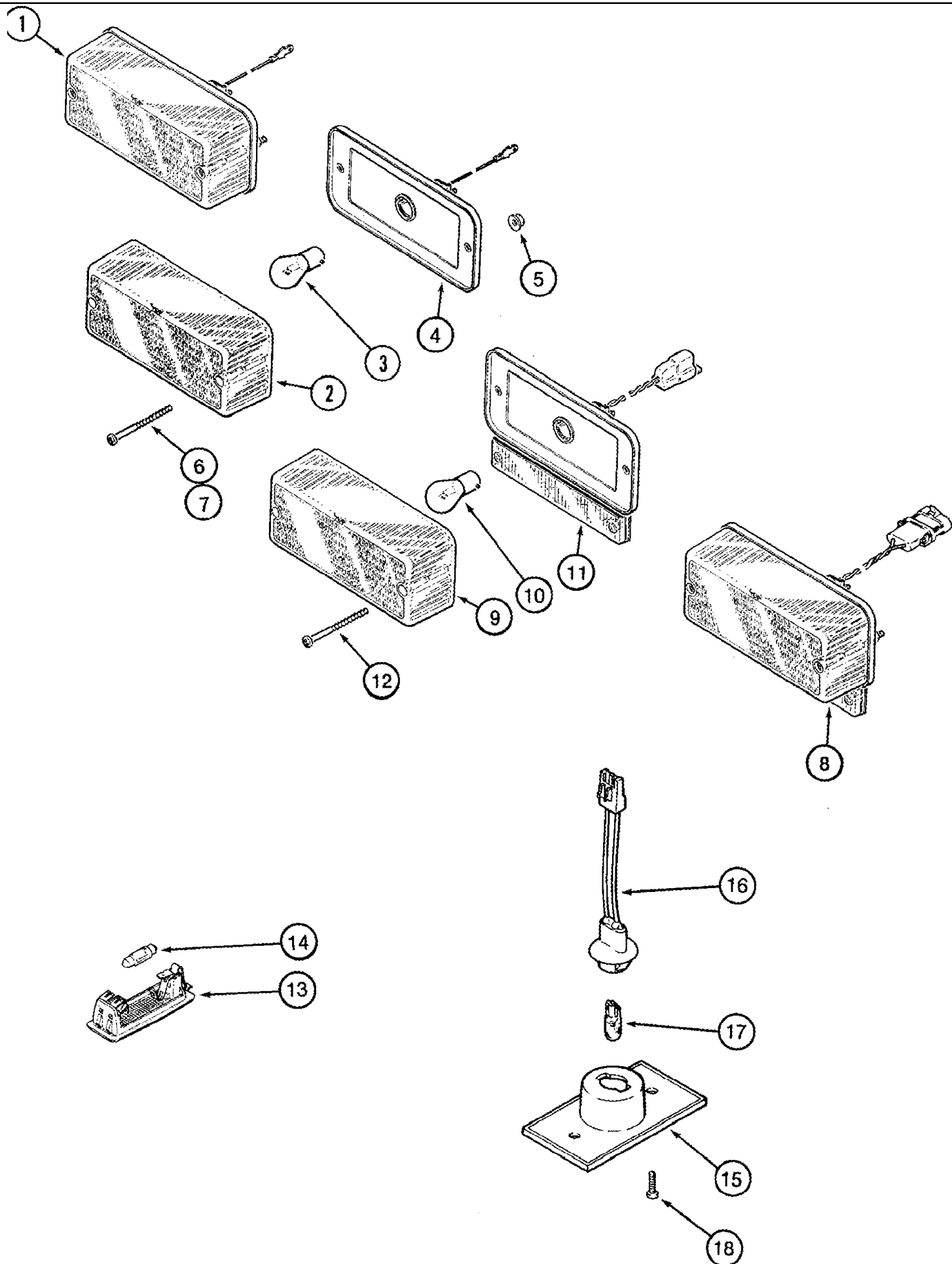
Ref	Part Number	Qty	Description
1	137821A1	1	BEZEL, Lamps, Right Hand
2	137819A1	1	BEZEL, Lamps, Left Hand, (Not Shown)
3	137829A1	18	SCREW, No. 10 x 3
4	86632551	18	NUT, LOCK, #10-24, GB,
5	137831A1	18	RETAINER,
6	138224A1	1	LAMP, WORK, Drive, Right Hand
6A	183161A1	1	LAMP, WORK, Drive, Left Hand, (Not Shown)
7	137823A1	2	BULB, 45W, 65W
8	137825A1	2	COLLAR, RETAINER,
9	138225A1	2	LAMP, WORK, Flood, Right Hand
9A	183162A1	2	LAMP, WORK, Flood, Left Hand, (Not Shown)
10	137827A1	4	SOCKET, LAMP,
11	137828A1	4	BULB, 65W
12	260-16512	16	SCREW, SELF TAPPING, Cross Pan Hd, #10 x 3/4",
13	131-648	16	NUT, Tinn, U, #10-24,



04-29 LAMP ASSY - DRIVE AND FLOOD - HALOGEN

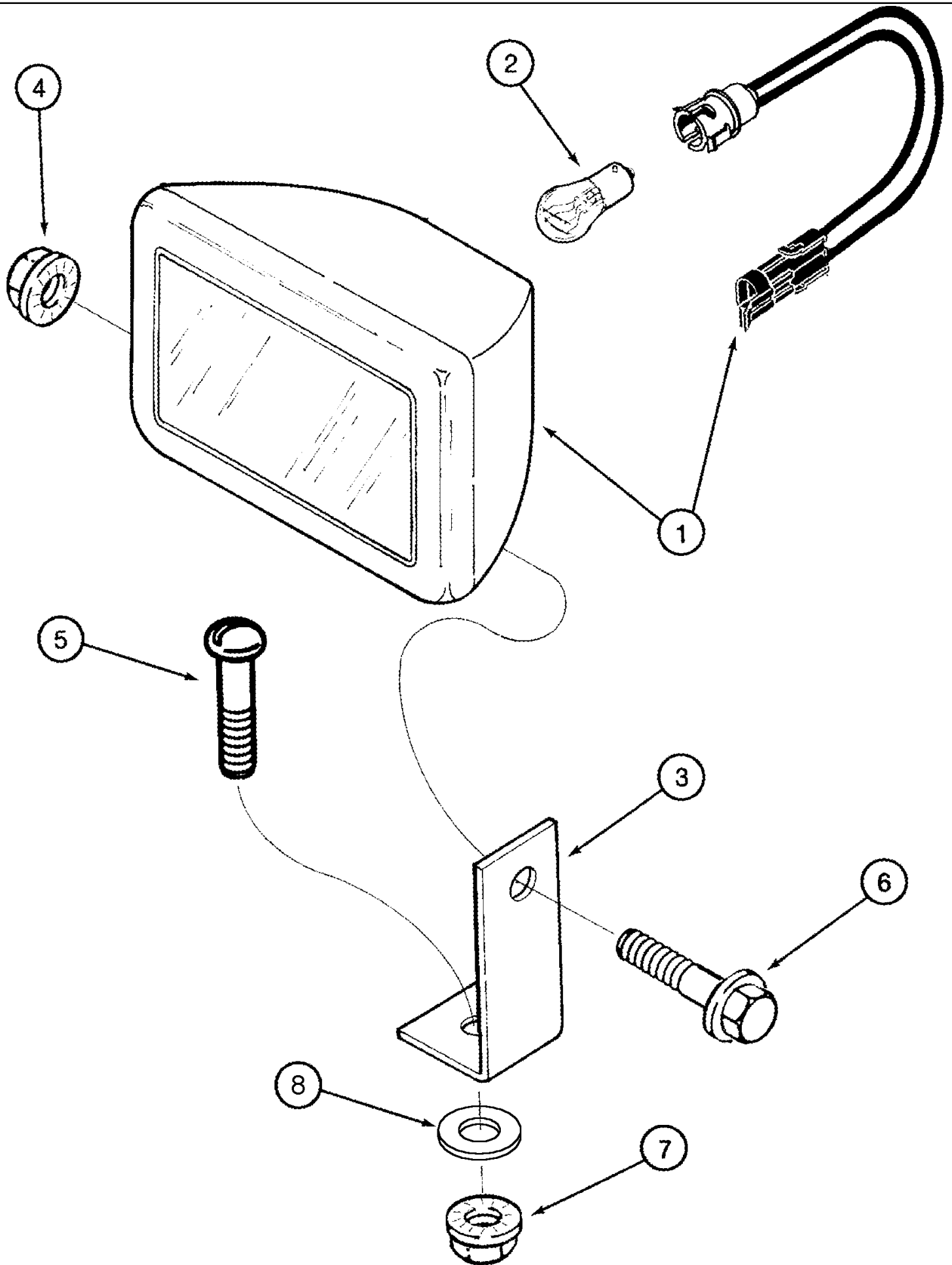
Ref	Part Number	Qty	Description
1	339704A1	1	BEZEL, Lamps, Right Hand, Fixed
2	339705A1	1	BEZEL, Lamps, Left Hand, Fixed, (Not Shown)
3	1327506C1	24	SCREW, SELF TAPPING, Cross Pan Hd, M4.8 x 19, Coated,
4	353656A1	2	HEADLIGHT, Trapezoidal
5	87367623	4	LIGHT, Flood
7	388872A1	2	BULB, 55W, 65W
8	137825A1	2	COLLAR, RETAINER,
11	87106291	4	BULB, 65W
12	260-16512	16	SCREW, SELF TAPPING, Cross Pan Hd, #10 x 3/4",

04-30 LAMP ASSYS, WARNING LAMP



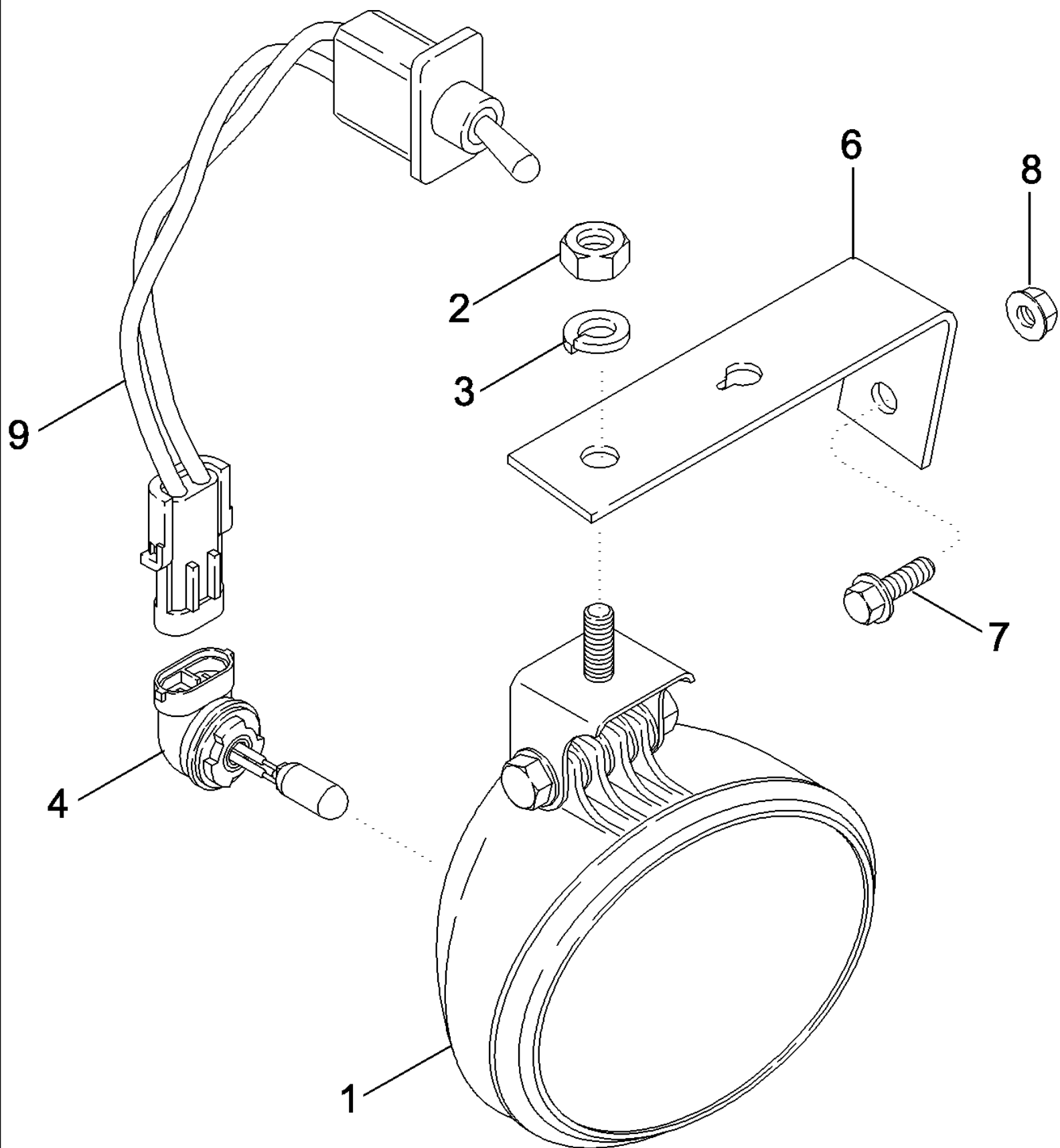
04-30 LAMP ASSYS, WARNING LAMP

Ref	Part Number	Qty	Description
1	130882C91	4	LIGHT, INTERIOR, Warning, Inc. 2 - 4
2	130883C1	1	LENS, Amber
3	529068	1	BULB, #1156, 12V,
4	NSS	1	NOT SERVICED SEPARATELY, Plate
5	231-51409	4	NUT, Flg, USR, #10-24,
6	261-54536	4	SCREW, SELF TAPPING, Cross Pan Hd, #10 x 2 1/4",
7	440-11036	4	SCREW, Cross Pan Hd, #10-24 x 2 1/4",
8	92260C1	2	LAMP, Stop And Tail, Inc. 9 - 11
9	216045C1	1	LENS, Red
10	86537133	1	BULB, C6, #1157, 12.8V,
11	NSS	1	NOT SERVICED SEPARATELY, Plate
12	261-54536	4	SCREW, SELF TAPPING, Cross Pan Hd, #10 x 2 1/4",
13	429726A1	2	DOME LIGHT, Inc. 14
14	E35556	1	BULB, 12V, 10W
	83882C91	1	LAMP, Console, Inc. 15 - 17
15	NSS	1	NOT SERVICED SEPARATELY, Lens
16	107329C1	1	HARNESS, WIRE,
17	D71346	1	LAMP, TAIL, No. 168
18	260-16512	2	SCREW, SELF TAPPING, Cross Pan Hd, #10 x 3/4",



04-31 MOUNTING, LAMP - GRAIN TANK

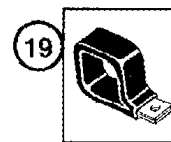
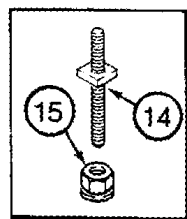
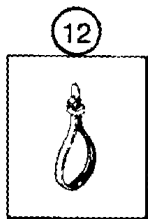
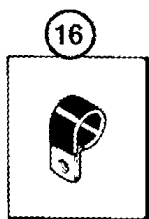
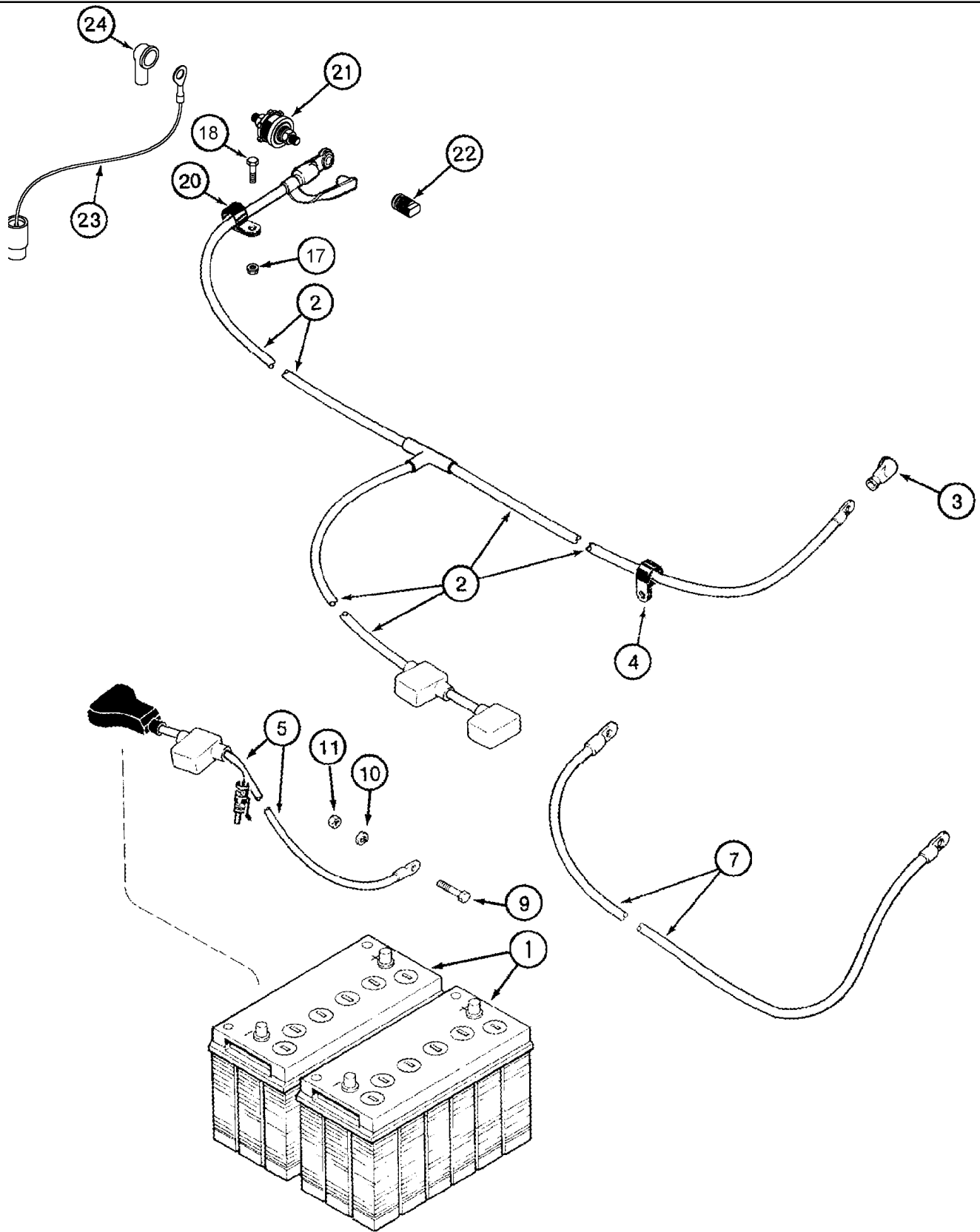
Ref	Part Number	Qty	Description
	185119A1	1	HEADLIGHT, Flood Lamp, Grain Tank, Inc. 1, 2
1	NSS	1	NOT SERVICED SEPARATELY, Housing
2	529068	1	BULB, #1156, 12V,
3	1317942C1	1	BRACKET,
4	231-5146	1	NUT, Flg, USR, 3/8"-16,
5	409-7516	1	BOLT, Hex Flg, 5/16"-18 x 1", Serr,
6	409-7616	1	BOLT, Hex Flg, 3/8"-16 x 1", Serr,
7	231-5145	1	NUT, Flg, USR, 5/16"-18,
8	495-21038	1	WASHER, 5/16",



04-32 LAMP ASSY - SIEVE

Ref	Part Number	Qty	Description
1	87344596	1	LAMP, WORK, Inc. 2 - 4
2	NSS	1	NOT SERVICED SEPARATELY, Nut
3	NSS	1	NOT SERVICED SEPARATELY, Washer, Lock
4	87107077	1	BULB, #862, 37.5w,
6	87353529	1	BRACKET, Sieve Lamp
7	409-7624	1	BOLT, Hex Flg, 3/8"-16 x 1 1/2", Serr,
8	231-5146	1	NUT, Flg, USR, 3/8"-16,
9	391062A1	1	SWITCH, Lamp

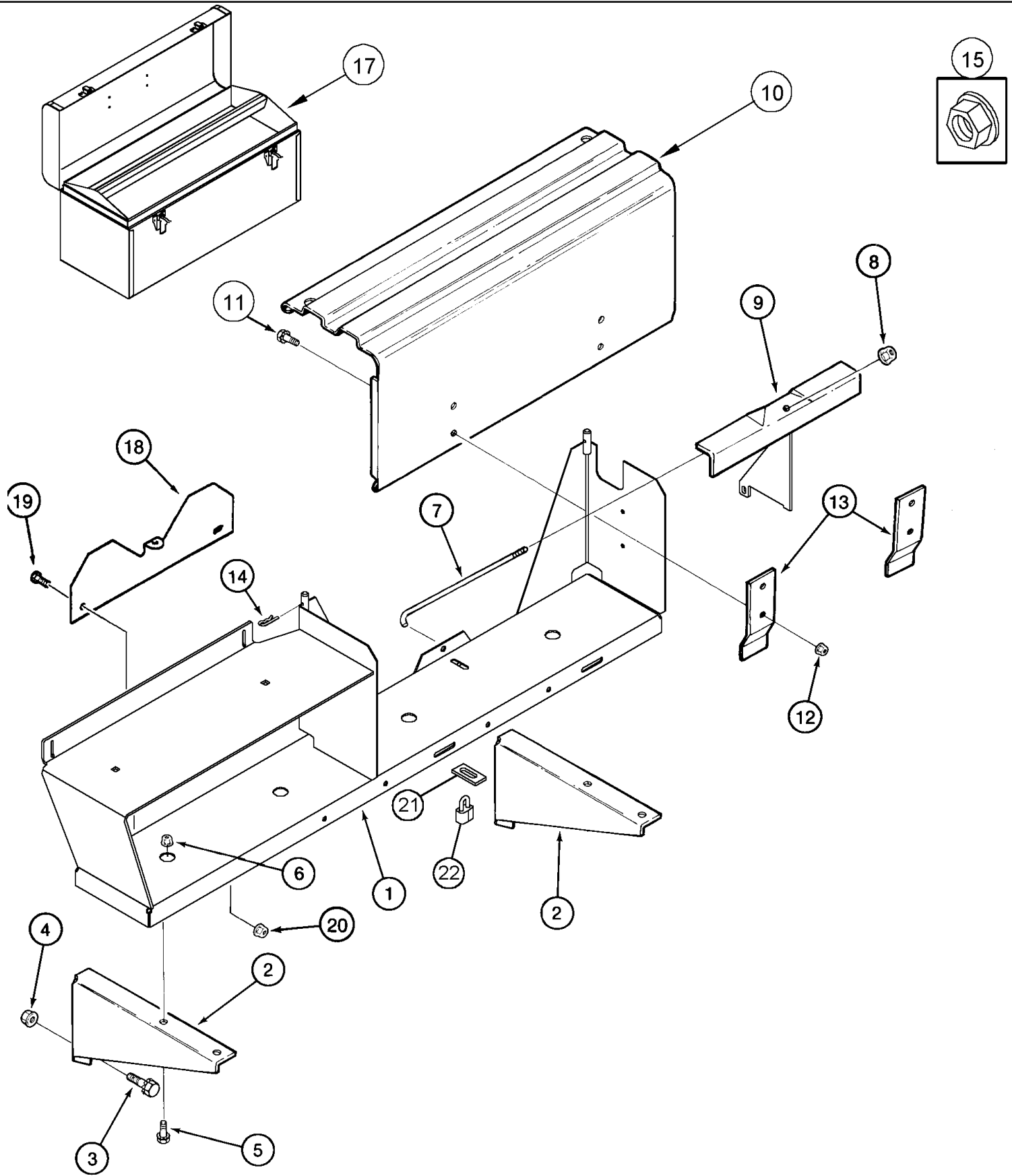
04-33 BATTERY - CABLES



04-33 BATTERY - CABLES

Ref	Part Number	Qty	Description
1	A187596	2	BATTERY, 12V
2	87419381	1	CABLE,
3	S115407	1	BOOT,
4	515-23286	17	CLAMP, 1 1/8", Insul, 3/8" Bolt,
4	515-25286	1	CLAMP, 1 1/8", Insul, 3/8" Bolt,
5	87398398	1	CABLE, Ground, Cab Power
6	278033A2	1	CABLE, GROUND, Cab Ground, (Not Shown)
7	128742A2	1	CABLE, GROUND, Engine Ground
9	413-632	1	BOLT, Hex, 3/8"-16 x 2", G5,
10	492-11038	1	WASHER, LOCK, 3/8",
11	425-106	1	NUT, 3/8"-16, G5,
12	291207C1	1	CLAMP,
14	128289A1	2	SCREW,
15	231-5145	2	NUT, Flg, USR, 5/16"-18,
16	515-23127	1	CLAMP, 1/2", Insul, 3/8" Bolt,
17	231-5146	3	NUT, Flg, USR, 3/8"-16,
18	409-7620	1	BOLT, Hex Flg, 3/8"-16 x 1 1/4", Serr,
19	1301387C2	1	CLIP, 2 in ID, Square
20	515-23254	1	CLAMP, 1", Insul, 3/8" Bolt,
21	190158A1	1	BLOCK, Junction
22	245739C1	1	BUSHING, Jump Start
23	277019A2	1	CABLE, Cab Power
24	S115407	1	BOOT,
25	102251A1	4	CLIP, Clip, Battery Cable, (Not Shown)
26	120104	4	SCREW, Hex, M8 x 20, 8.8, (Not Shown)
27	322358	4	WASHER, SPRING, Belleville, M8, (Not Shown)

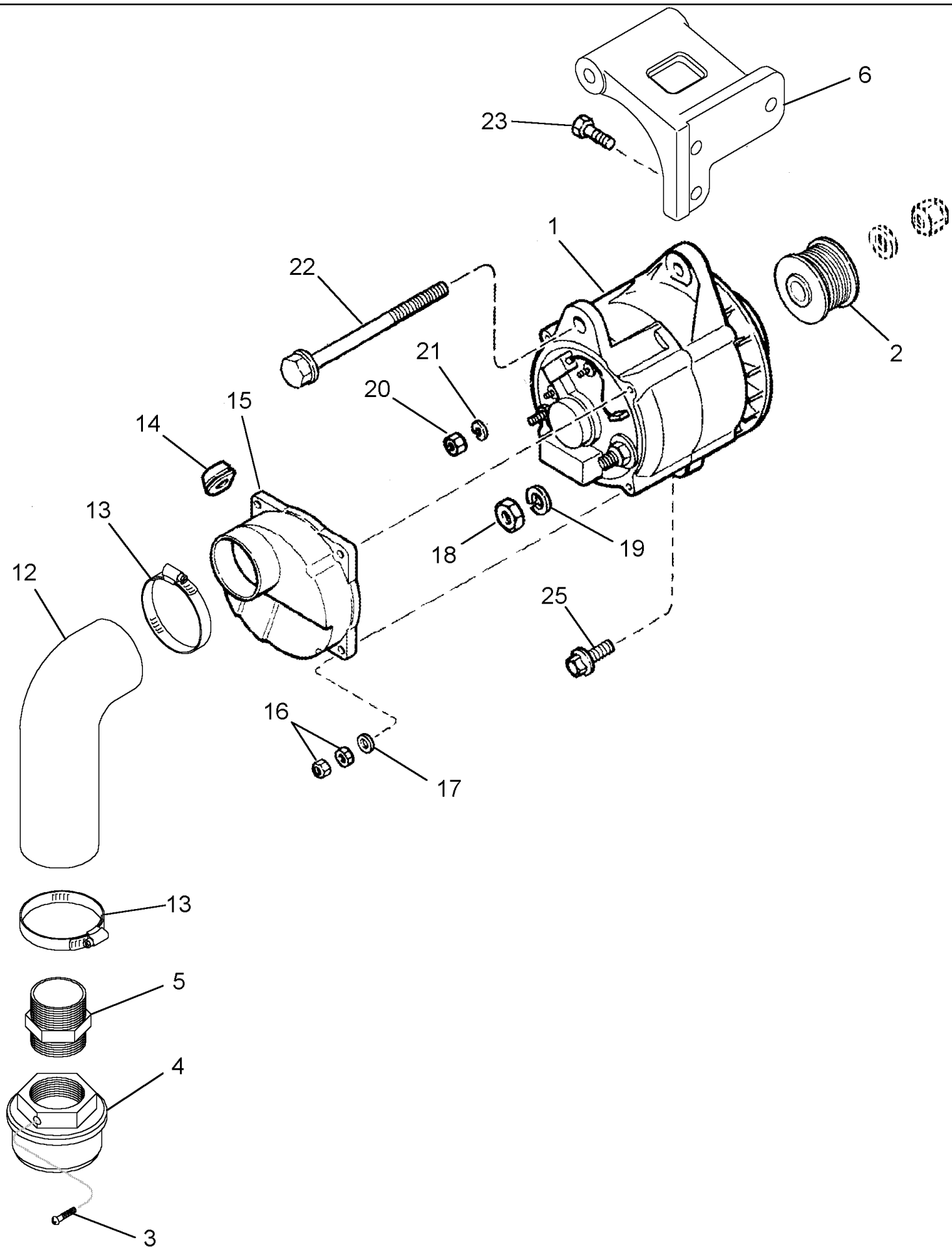
04-34 BATTERY - BOX



04-34 BATTERY - BOX

Ref	Part Number	Qty	Description
1	394365A1	1	SUPPORT,
2	142495A2	2	SUPPORT,
3	409-7616	4	BOLT, Hex Flg, 3/8"-16 x 1", Serr,
4	231-5146	5	NUT, Flg, USR, 3/8"-16,
5	409-7512	4	BOLT, Hex Flg, 5/16"-18 x 3/4", Serr,
6	231-5145	4	NUT, Flg, USR, 5/16"-18,
7	A147915	1	BOLT,
8	425-104	1	NUT, 1/4"-20, G5,
9	229550A1	1	CLAMP, Battery Lock Assembly, Anti-Theft
10	142496A1	1	COVER,
11	409-758	4	BOLT, Hex Flg, 5/16"-18 x 1/2", Serr,
12	231-5145	4	NUT, Flg, USR, 5/16"-18,
13	142497A2	2	STRAP,
14	480523R1	2	SPLIT PIN/SAFETY PIN,
15	131-415	4	NUT, LOCK, Push, Bolt Retainer, 3/8" x 25/32",
16	135370A1	1	STRIP, PROTECTION, 194 mm (7-5/8 in), Cut From 1330108CX, (Not Shown)
17	392914A1	1	BOX, TOOL,
18	143481A1	1	SUPPORT,
19	409-7512	2	BOLT, Hex Flg, 5/16"-18 x 3/4", Serr,
20	231-5145	2	NUT, Flg, USR, 5/16"-18,
21	229548A1	1	PLATE, LARGE, Lock Battery Hold Down
22	D93753	1	PADLOCK, With Keys

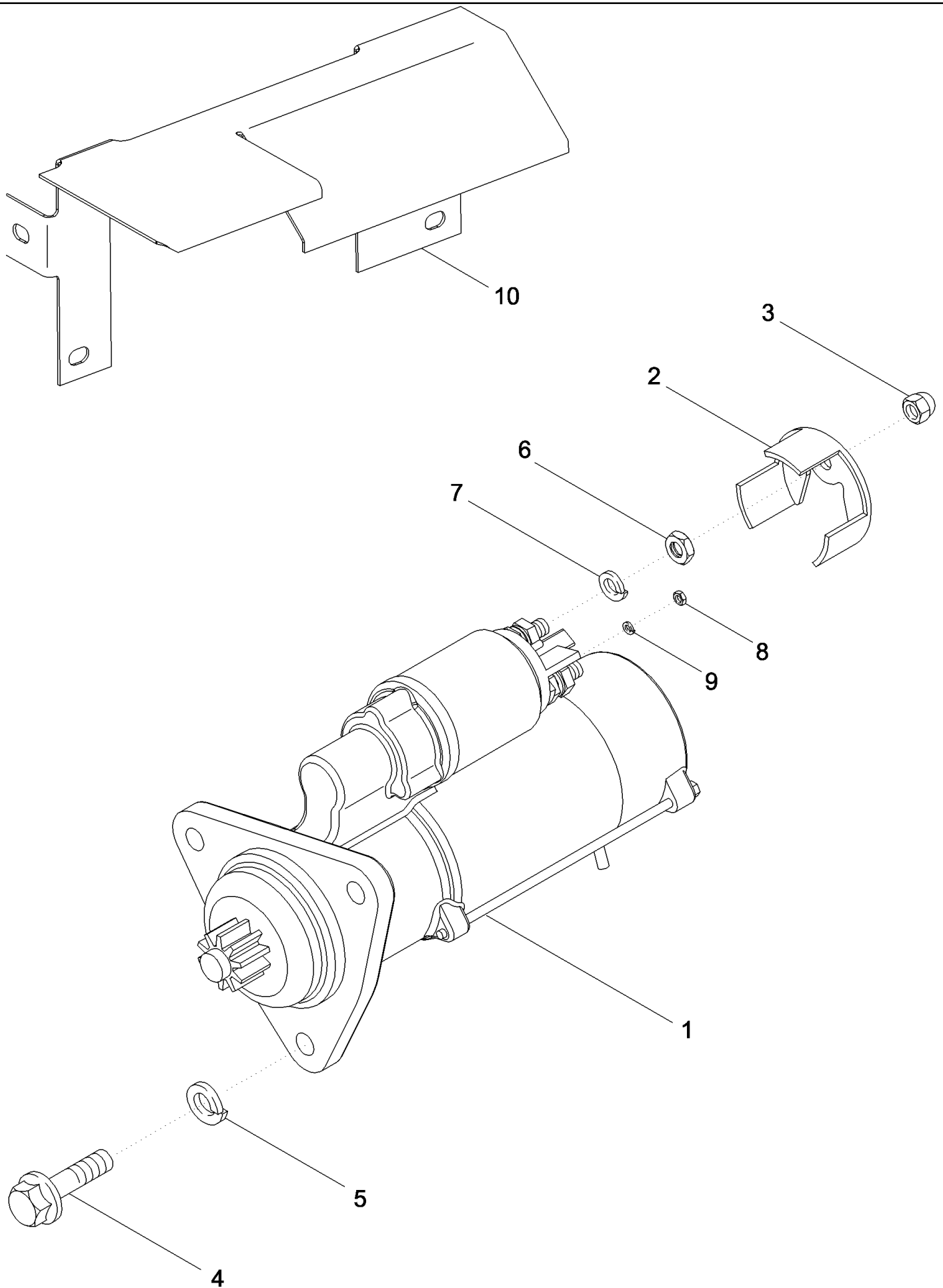
04-35 ALTERNATOR - MOUNTING



04-35 ALTERNATOR - MOUNTING

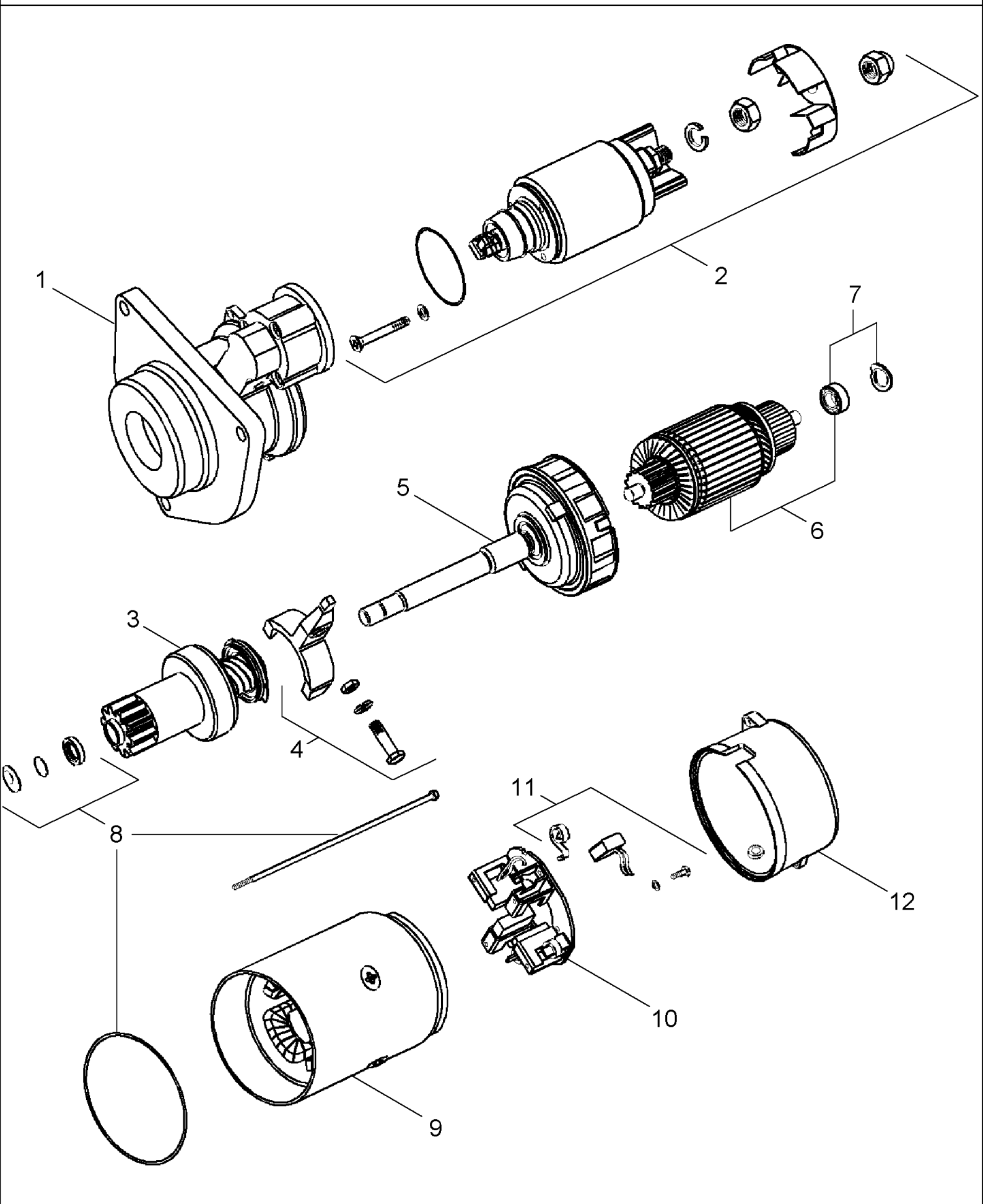
Ref	Part Number	Qty	Description
1	125849A1	1	ALTERNATOR, 135 amp, See Figure 04-38
2	87452704	1	PULLEY,
3	183-112	1	THUMB SCREW, 1/4"-20 x 1",
4	87540645	1	SCREEN, Alternator Air
5	87552611	1	PIPE,
6	87360715	1	SUPPORT, Alternator
12	143953A1	1	ELBOW,
13	214-1536	2	CLAMP, HOSE, #36, 1.81/2.75 Type F Worm, W/liner,
14	1964826C1	1	GROMMET,
15	1338890C1	1	COVER,
16	825-1405	8	NUT, M5, CI 8,
17	495-31025	4	WASHER, 3/16",
18	425-147	1	NUT, Jam, 7/16"-14, G5,
19	492-11044	1	WASHER, LOCK, 7/16",
20	825-1404	1	NUT, M4, CI 8,
21	892-11004	1	WASHER, LOCK, M4,
22	87030021	1	BOLT, Hex Flg, M12 x 150, 10.9,
23	844-10030	3	BOLT, Hex Flg, M10 x 30, 8.8, Full Thd,
24	829-2412	1	NUT, M12 x 1.75, Flg, CI 10,
25	409-7820	1	BOLT, Hex Flg, 1/2"-13 x 1 1/4", Serr,

04-36 STARTER ASSY - MOUNTING



04-36 STARTER ASSY - MOUNTING

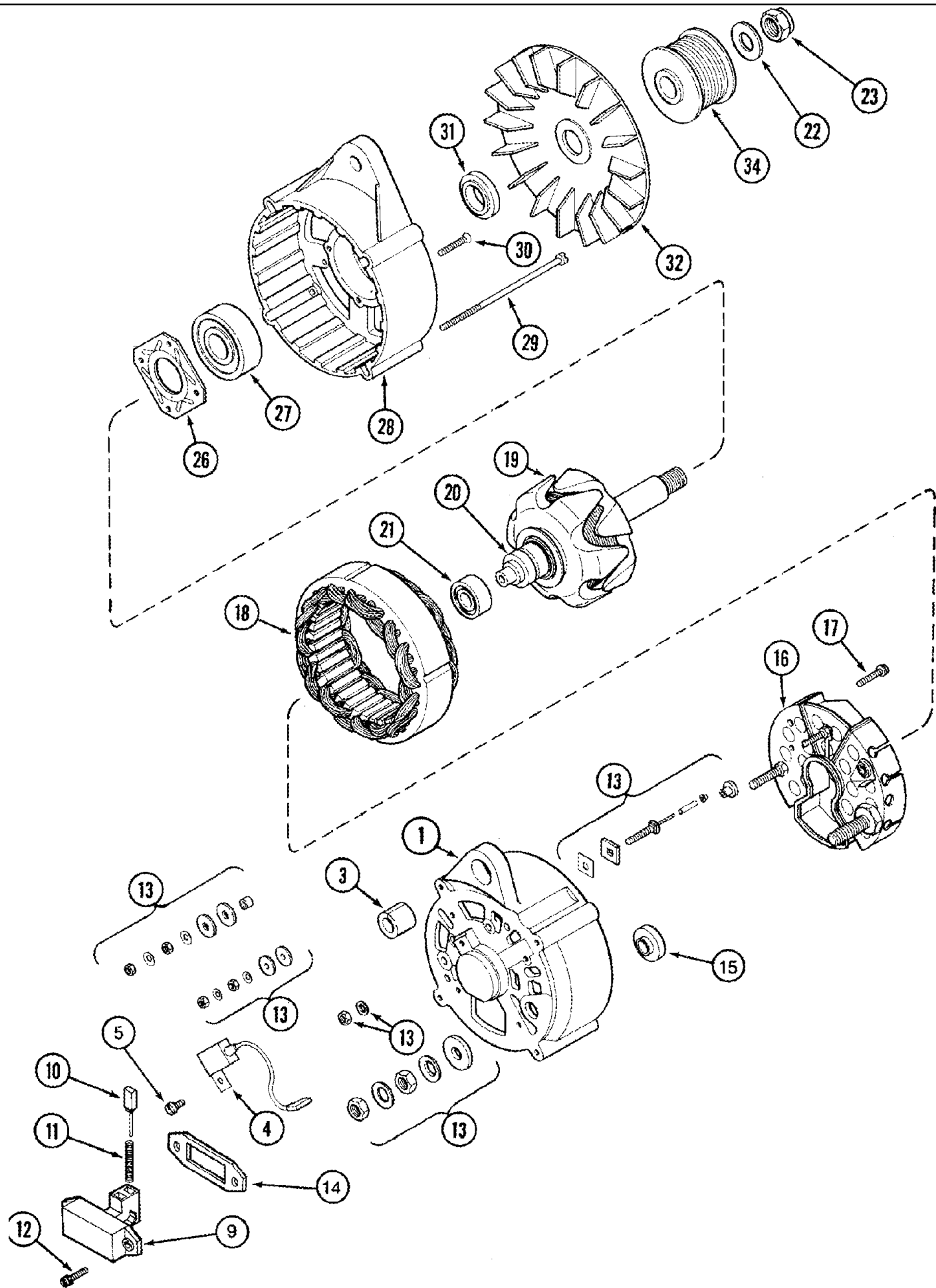
Ref	Part Number	Qty	Description
	87420661	1	REMAN-STARTER,
	87420662	1	CORE-STARTER,
1	87419387	1	MOTOR, STARTER,
2	87422566	1	COVER, Jump Start Protection
3	87422567	1	NUT,
4	87035075	3	SCREW, 12 Pt Hd, M12 x 35, 12.9,
5	896-11012	3	WASHER, M13.5 x 24.5 x 3, HT,
6	829-4410	1	NUT, Thin, M10 x 1.5, CI 05,
7	892-11010	1	WASHER, LOCK, M10,
8	825-1405	1	NUT, M5, CI 8,
9	892-11005	1	WASHER, LOCK, M5,
10	87345873	1	SHIELD, Starter



04-37 STARTER ASSY - ISKRA

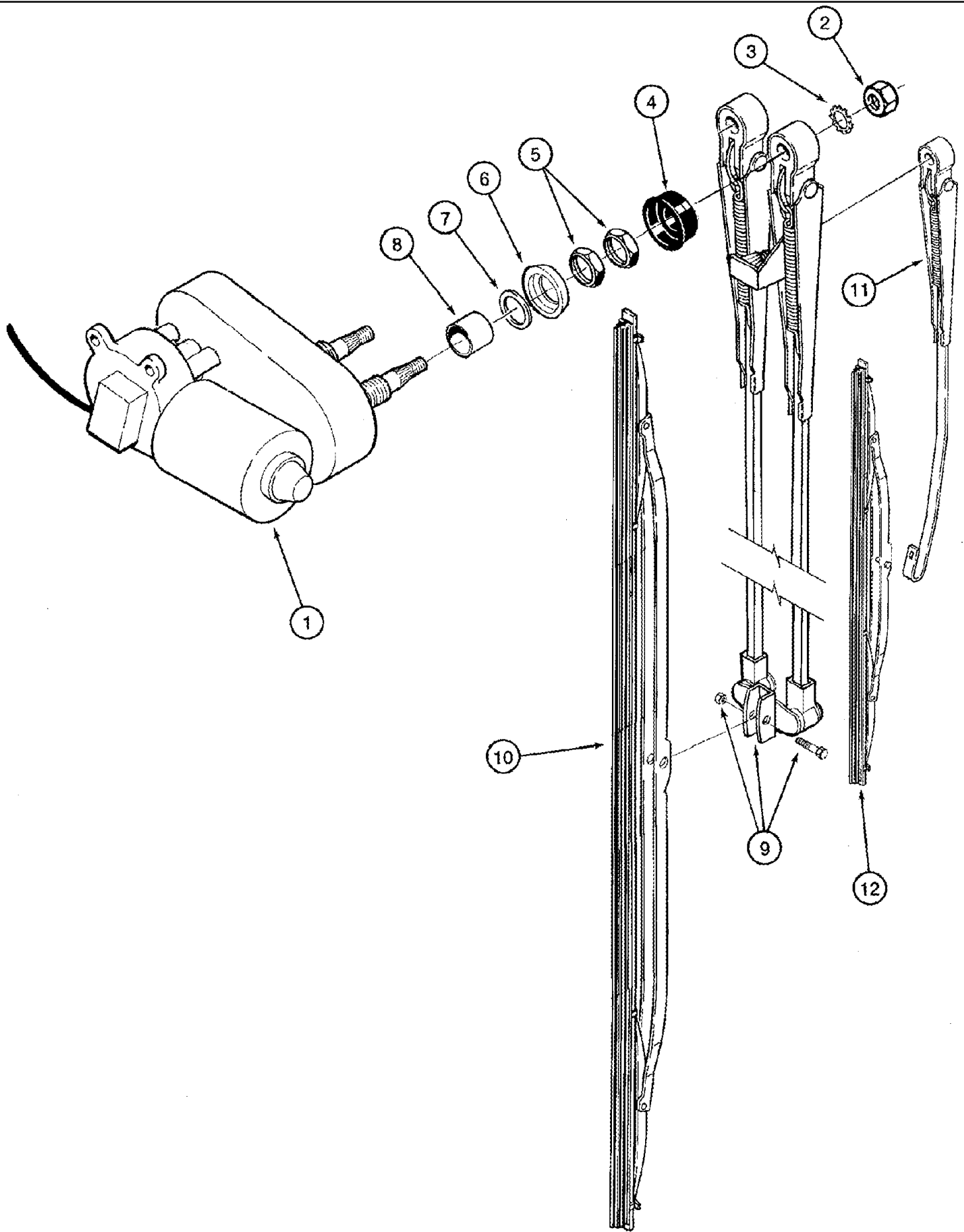
Ref	Part Number	Qty	Description
	87419387	1	MOTOR, STARTER, Iskra, Inc. 1 - 12
1	87452304	1	BRACKET, Drive End
2	87452305	1	SOLENOID,
3	87452306	1	DRIVE ASSY.,
4	87452307	1	LEVER, Engaging
5	87452308	1	GEAR, Reduction
6	87452309	1	ARMATURE,
7	87452310	1	KIT,
8	87452311	1	KIT, STARTER MTR REPAIR, SET Fixing Parts
9	87452312	1	STATOR,
10	87452313	1	BRUSH HOLDER,
11	87452314	1	BRUSH, SET Spring
12	87452315	1	BRACKET, Commutator End

04-38 ALTERNATOR ASSY



04-38 ALTERNATOR ASSY

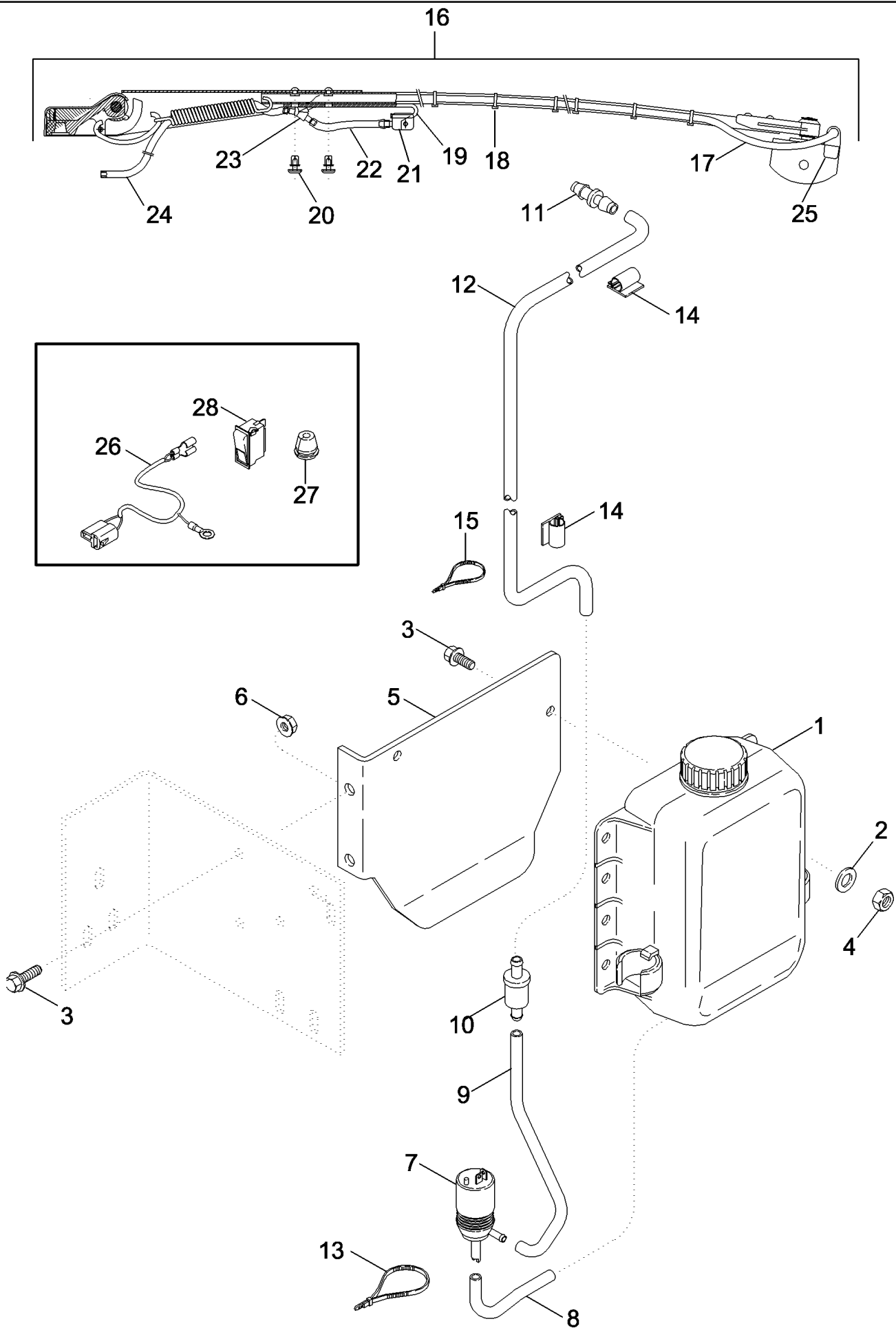
Ref	Part Number	Qty	Description
	125849A1R	1	REMAN-ALTERNATOR, Remanufactured
	125849A1C	1	CORE-ALTERNATOR,
	125849A1	1	ALTERNATOR, 135 amp, Inc. 1 - 32
1	1964731C1	1	HOUSING,
3	1964737C1	1	BUSHING,
4	3079389R1	1	CAPACITOR,
5	840-1510	1	SCREW, Cross Pan Hd, M5 x 10,
9	111899A1	1	REGULATOR,
10	1964968C1	1	BRUSH, Set
11	P1538138P	2	SPRING, COMPRESSION,
12	1530431C1	2	BOLT,
13	1964738C1	1	KIT, REPAIR,
14	140546A1	1	GASKET,
15	140545A1	1	RING,
16	1964732C1	1	RECTIFIER,
17	A186194	2	SCREW, Slt'd Truss Hd, M4 x 18, w/LW,
18	140548A1	1	STATOR,
19	1964728C1	1	ROTOR,
20	140543A1	1	RING,
21	1964730C1	1	BEARING, BALL,
22	495-21063	1	WASHER, 9/16",
23	86637650	1	NUT, LOCK, 5/8"-18, GB,
26	1964727C1	1	PLATE,
27	1964726C1	1	BEARING, BALL,
28	1964725C1	1	HOUSING,
29	140549A1	4	SCREW,
30	140541A1	4	SCREW,
31	1964729C1	1	SPACER,
32	1964736C1	1	FAN,
34	86975356	1	PULLEY, Not Included In Assembly



04-39 MOTOR ASSY - WIPER, WINDSHIELD

Ref	Part Number	Qty	Description
	86976257	1	WIPER MOTOR, Windshield Wiper, Double Blade, Inc. 1 - 7
1	NSS	1	NOT SERVICED SEPARATELY, Motor
	138013A1	1	KIT, REPAIR, Inc. 2 - 7
2	829-1408	2	NUT, M8, CI 10,
3	893-11008	2	WASHER, LOCK, Ext Tooth, M8,
4	NSS	2	NOT SERVICED SEPARATELY, Cover
5	NSS	4	NOT SERVICED SEPARATELY, Nut
6	NSS	2	NOT SERVICED SEPARATELY, Retainer
7	NSS	2	NOT SERVICED SEPARATELY, Seal
8	86975131	2	SPACER,
	352976A1	1	WIPER BLADE, Inc. 9 - 12
9	86975127	1	ARM, 1000 mm
10	86975128	1	BLADE, 1000 mm
11	86975133	1	WIPER ARM, 176 mm
12	86975129	1	BLADE, 330 mm

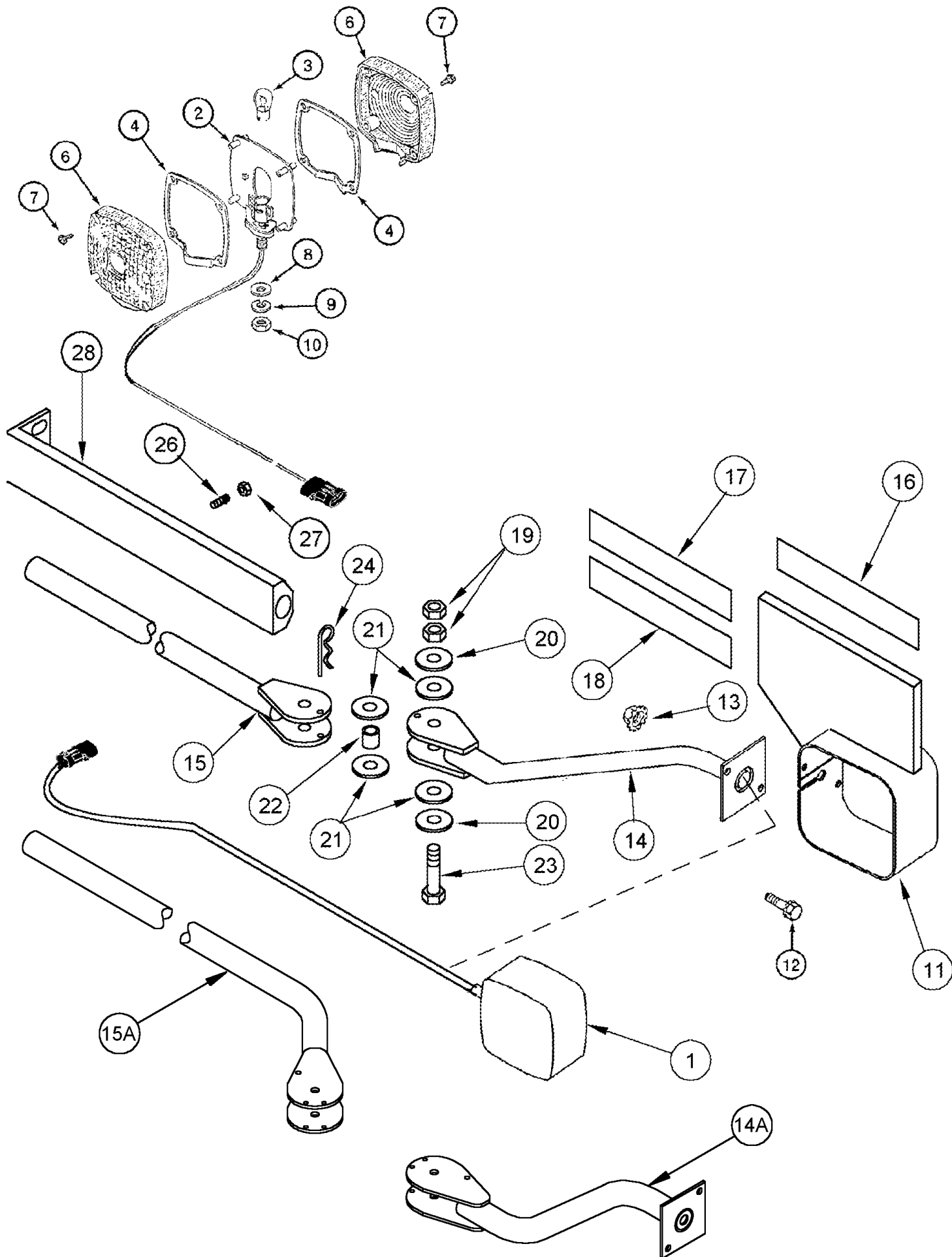
04-40 WINDSHIELD WASHER



04-40 WINDSHIELD WASHER

Ref	Part Number	Qty	Description
1	87447644	1	WASHER, WINDSHIELD,
2	495-11034	2	WASHER, 5/16", SAE,
3	409-7516	4	BOLT, Hex Flg, 5/16"-18 x 1", Serr,
4	231-1445	2	NUT, LOCK, 5/16"-18, GB,
5	87447938	1	SUPPORT, Reservoir
6	231-5145	1	NUT, Flg, USR, 5/16"-18,
7	1964696C2	1	PUMP, Pump
8	31-2368	1	HOSE, 127 mm (5 in.), Cut From 4-1056
9	31-2422	1	HOSE, 254 mm (10 in.), Cut From 4-1056
10	84037530	1	VALVE, CHECK,
11	31-2364	1	FITTING, 3/16 x 7/64
12	31-2582	1	HOSE, 3962 mm (156 in.), Cut From 4-1056
13	702093C1	5	STRAP, CABLE, Tie
14	245854A1	4	CLIP,
15	58556C1	2	STRAP, CABLE, Tie, 14 in
16	87281666	1	WASHER, WINDSHIELD, Inc. REF 17 - 25
17	87282393	1	HOSE, 870 mm
18	PL	8	PROCURE LOCALLY, Bundling Tie
19	87282394	1	ARM,
20	87282395	2	RIVET, Snap
21	87282396	1	NOZZLE CAP, Single
22	87282397	1	HOSE, 70 mm
23	87282398	1	FITTING, " Y "
24	PL	1	PROCURE LOCALLY, Hose, 450 mm
25	87282392	1	HOLDER, Nozzle, Double
26	87447600	1	HARNESS, WIRE, Windshield Washer, Used With Field Installed Kit
27	195803C1	1	GROMMET, , Used With Field Installed Kit
28	87447601	1	SWITCH, WINDSHIELD WIPER, Wiper With Washer

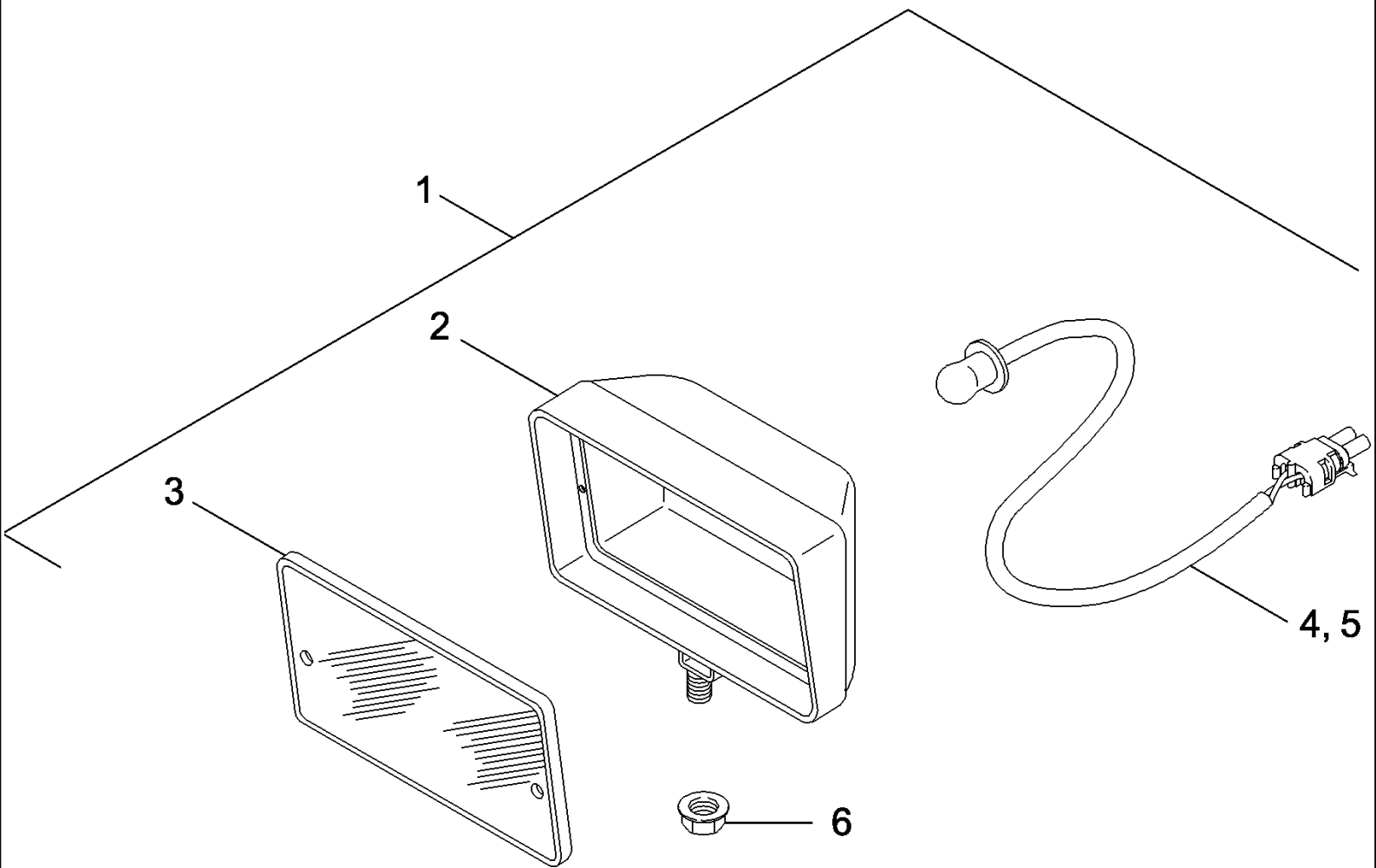
04-41 LAMP ASSY - FLASHERS, SIDE



04-41 LAMP ASSY - FLASHERS, SIDE

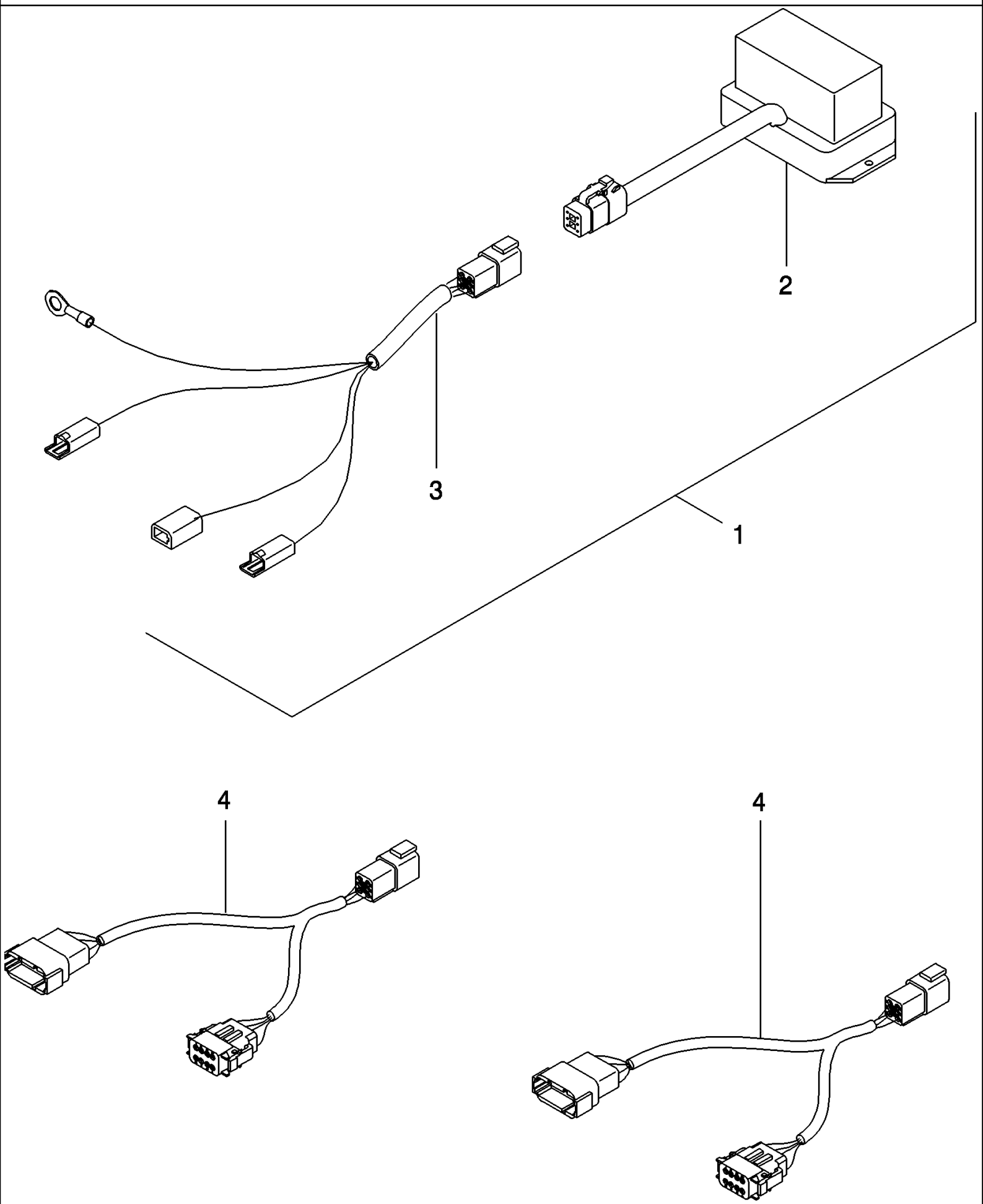
Ref	Part Number	Qty	Description
1	398378A1	2	LAMP, Inc. 2 - 10
2	NSS	1	NOT SERVICED SEPARATELY, Body
3	A41264	1	BULB, #1156, 12V,
4	A43731	2	GASKET,
	A44202	1	KIT, Inc. 6, 7
6	NSS	2	NOT SERVICED SEPARATELY, Lens
7	187-1083	8	SCREW, SELF TAPPING, Cross Pan Hd, #8 x 5/8",
8	495-11053	1	WASHER, 1/2", SAE,
9	80679	1	WASHER, LOCK, 1/2",
10	425-118	1	NUT, 1/2"-20, G5,
11	390636A1	2	BRACKET,
12	409-7512	4	BOLT, Hex Flg, 5/16"-18 x 3/4", Serr,
13	231-5145	4	NUT, Flg, USR, 5/16"-18,
14	398043A2	2	ARM, Marker Lamp, Outer
14A	86991379	2	ARM, Marker Lamp, Outer
15	403387A1	2	TUBE, Marker Lamp, Inner
15A	86991378	2	ARM, Marker Lamp, Inner
16	311864A1	2	REFLECTOR, Amber
17	311863A1	2	REFLECTOR, Red
18	311865A1	2	REFLECTOR, Orange
19	231-4146	4	NUT, LOCK, 3/8"-16, GB,
20	495-81143	4	WASHER, 13/32" x 1 1/2" x .120",
21	403388A1	8	WASHER, SPECIAL, 1-1/8 x 3/8 x 1/8, Nylon
22	87036413	2	SPACER, 5/8" Pipe x 15/16",
23	413-652	2	BOLT, Hex, 3/8"-16 x 3 1/4", G5,
24	480523R1	2	SPLIT PIN/SAFETY PIN,
25	473321C1	4	STRAP, CABLE, .098" x 8",
26	485-13816	4	SET SCREW, Sq Hd, 3/8"-16 x 1",
26	9706726	4	BOLT, Hex Flg, 3/8"-16 x 1", Serr,
26	477-73816	4	SCREW, Sltd Serr Truss Hd, 3/8" x 1",
27	425-106	4	NUT, 3/8"-16, G5,
27	231-5146	8	NUT, Flg, USR, 3/8"-16,
28	403052A2	2	BRACKET,

04-42 LAMP ASSY - GRAIN TANK



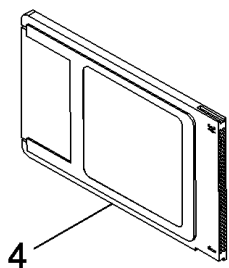
04-42 LAMP ASSY - GRAIN TANK

Ref	Part Number	Qty	Description
1	430504A1	2	LAMP, Aftercut, 55 W, Inc. 2, 3, 5
1	430505A1	AR	LAMP, 35 W, Inc. 2 - 4
1	430506A1	2	LAMP, Aftercut, 35 W, Inc. 2 - 4
1	185116A1	1	HEADLIGHT, 37.5 W
2	1964806C1	1	BEZEL,
3	276498A1	1	LENS,
4	92242C2	1	BULB,
5	1312210C2	1	BULB,
6	231-5145	1	NUT, Flg, USR, 5/16"-18,



04-43 PACKAGE, AFS DISPLAY BATTERY BACKUP

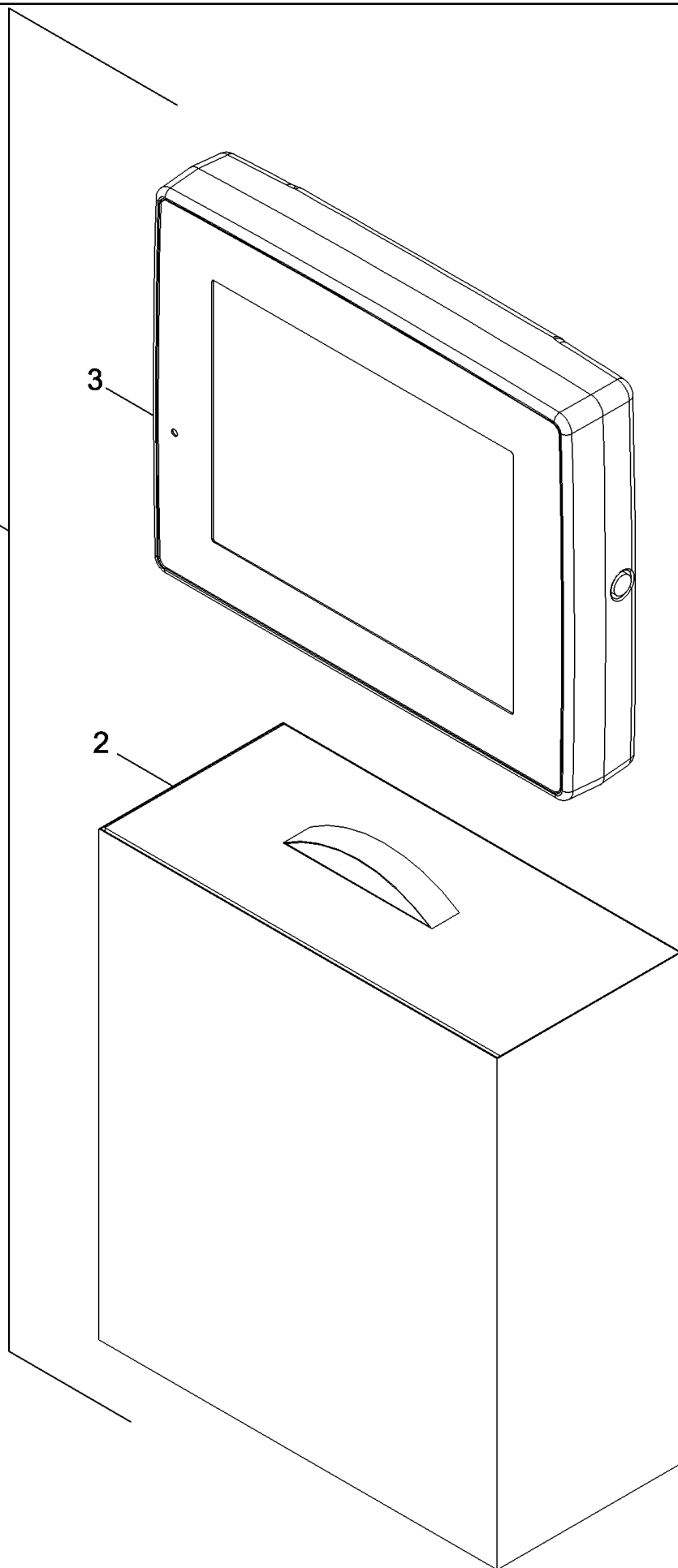
Ref	Part Number	Qty	Description
1	450376A1	1	AFS PARTS & PACKAGES, Display Backup, Inc. 2, 3
2	NSS	1	NOT SERVICED SEPARATELY, Battery
3	NSS	1	NOT SERVICED SEPARATELY, Cable, Adapter
4	450367A1	1	HARNESS, WIRE, Adapter, AFS Combine
4	450368A1	1	HARNESS, WIRE, Adapter, AFS Combine



1

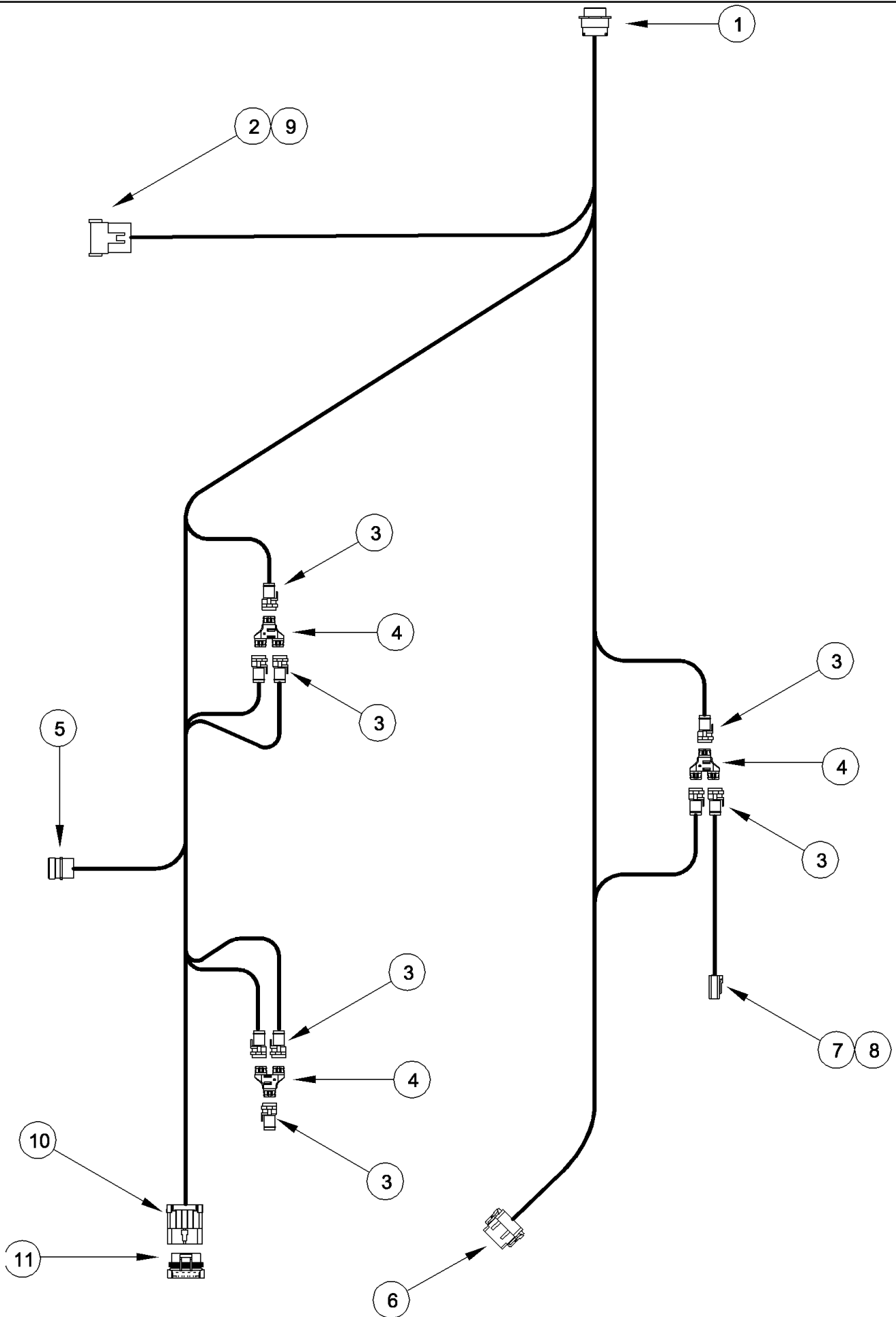
3

2



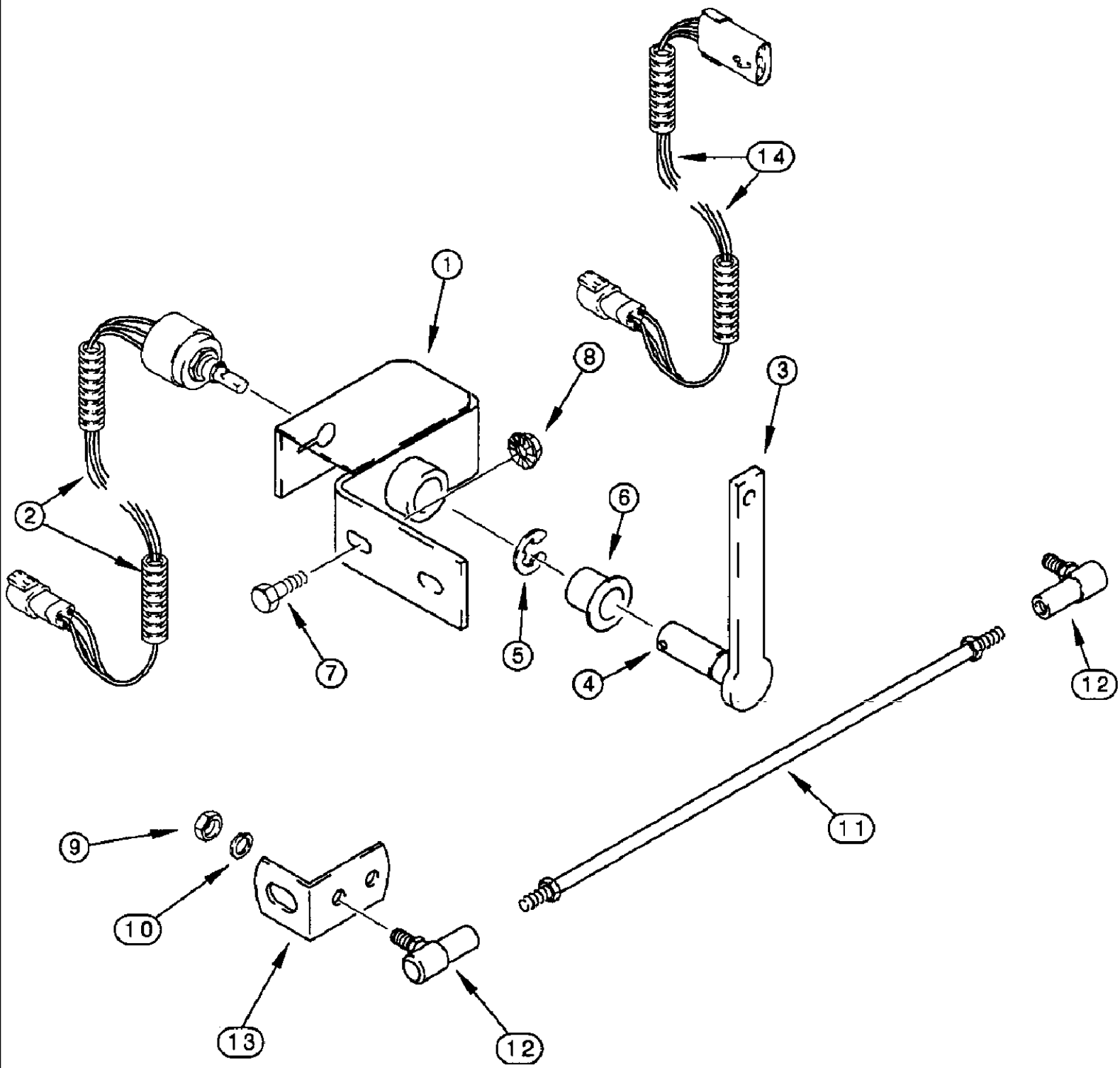
04-44 AFS PRO 600 DISPLAY

Ref	Part Number	Qty	Description
1	87387965	1	DISPLAY, Kit, AFS Pro 600 Display Service, Inc. 2, 3
2	NSS	1	NOT SERVICED SEPARATELY, Box, Display Storage
3	NSS	1	NOT SERVICED SEPARATELY, Display, Touchscreen
4	87341265	1	SOFTWARE, 128 MB Compact Flash With Adapter



04-45 HARNESS, YIELD MONITOR CAB DISPLAY, AFS

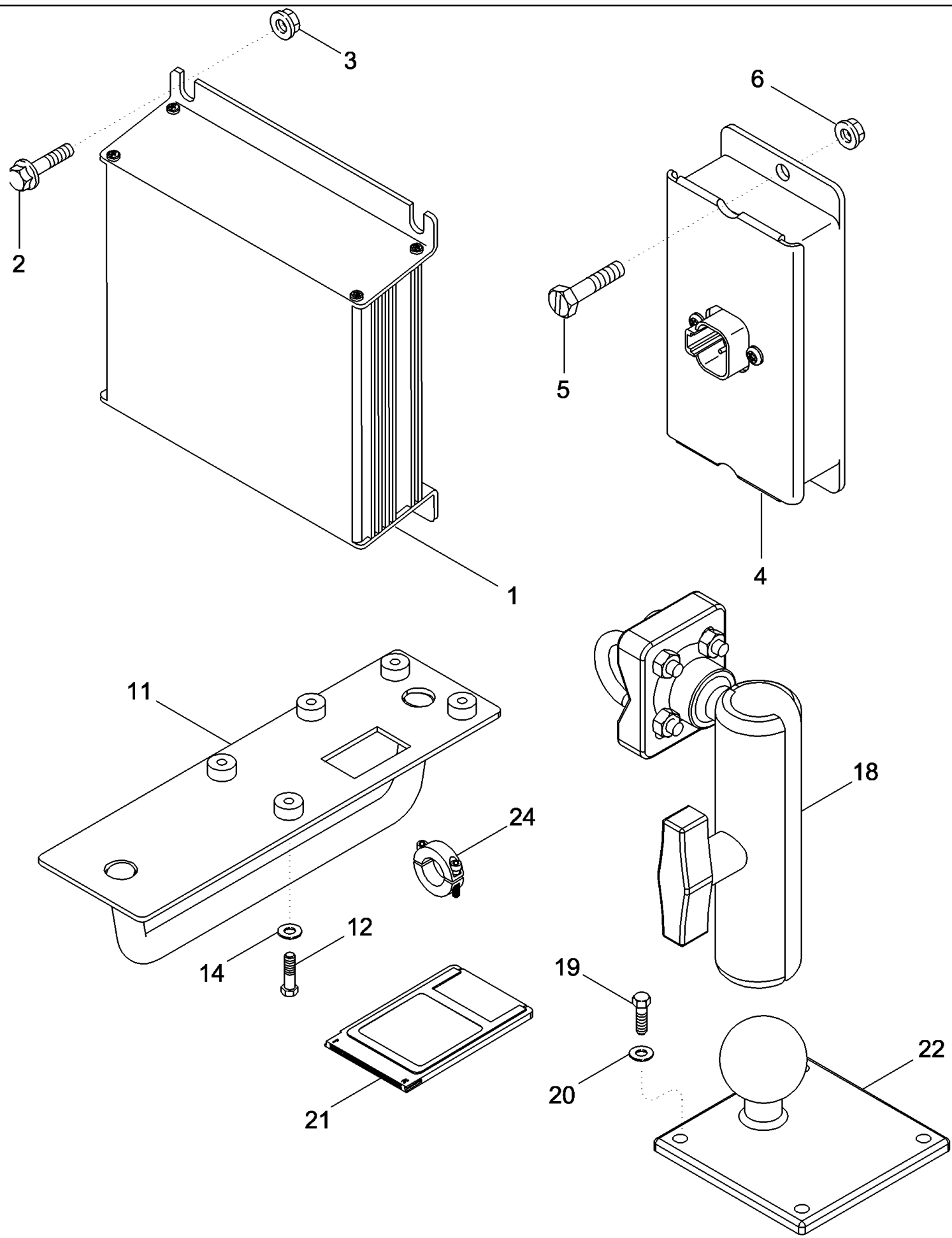
Ref	Part Number	Qty	Description
	87384930	1	HARNESS, WIRE, Yield Monitor Cab Display
1	321698A1	1	CONNECTOR, ELEC, Electrical
2	225388C1	1	CONNECTOR, ELEC, Electrical, Type NA
3	298496A1	6	CONNECTOR, ELEC, Plug, 4 Pin
4	298495A1	2	CONNECTOR, ELEC, Electrical
5	310057A1	1	CONNECTOR, ELEC, HD 10 Series Receptacle
6	87410948	1	CONNECTOR, ELEC, 26 Pin Tyco
7	239451A1	1	CONNECTOR, ELEC, 4-cav Plug DT Series
8	225327C1	1	WEDGE, Wedge
9	225390C1	1	WEDGE, Electrical Connector, Type W12P
10	182081A1	1	CONNECTOR, ELEC, Tower 5-way Metri-pak
11	182079A1	1	CONNECTOR, ELEC, Electrical
12	440-10610	2	SCREW, Cross Pan Hd, #6-32 x 5/8", (Not Shown)
13	492-11006	2	WASHER, LOCK, #6, (Not Shown)
14	225-14106	2	NUT, #6-32, (Not Shown)



04-46 HEADER HEIGHT POTENTIOMETER AND MOUNTING, AFS

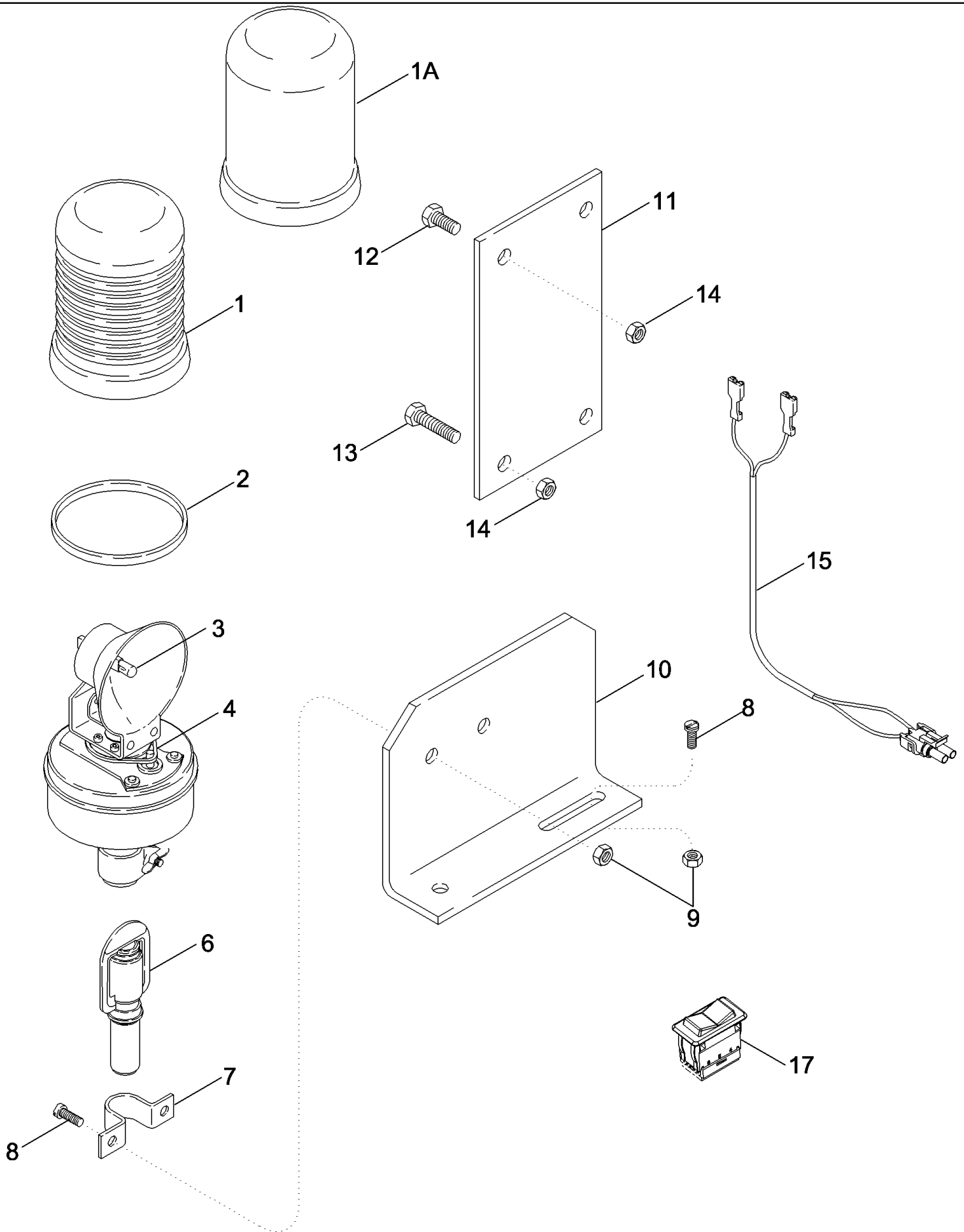
Ref	Part Number	Qty	Description
	239136A1	1	POTENTIOMETER, ASSY - Header Height, Right Hand
1	NSS	1	NOT SERVICED SEPARATELY, SUPPORT - Potentiometer
2	NSS	1	NOT SERVICED SEPARATELY, POTENTIOMETER - Single, 1K, Header Height
3	NSS	1	NOT SERVICED SEPARATELY, LEVER - Potentiometer
4	NSS	1	NOT SERVICED SEPARATELY, SCREW - Set, Hex 4 x 6 mm
5	NSS	1	NOT SERVICED SEPARATELY, RING - E-type, External Retaining, No. 50
6	NSS	1	NOT SERVICED SEPARATELY, BUSHING - Potentiometer
7	413-48	1	BOLT, Hex, 1/4"-20 x 1/2", G5, Full Thd,
8	231-5144	1	NUT, Flg, USR, 1/4"-20,
9	425-114	2	NUT, 1/4"-28, G5,
10	492-11025	2	WASHER, LOCK, 1/4",
11	301522A1	1	TIE-ROD, THREADED, 1/4 NF x 6-1/2, Includes (2) 425-114 Nut, 1/4 NF
12	A10329	2	BALL JOINT, 1/4 NF
13	127308A2	1	SUPPORT, Rear, Potentiometer
14	253421A1	1	HARNESS, WIRE, CABLE - Header Height, 2100 and 2300 Series Combines
15	363660R1	1	CLIP, (Not Shown)
15	516-23127	1	CLAMP, J, 9/16" Insul, 3/8" Bolt, 12.7 mm, (Not Shown)

04-47 AFS YIELD MONITOR INTERFACE UNIT PACKAGE



04-47 AFS YIELD MONITOR INTERFACE UNIT PACKAGE

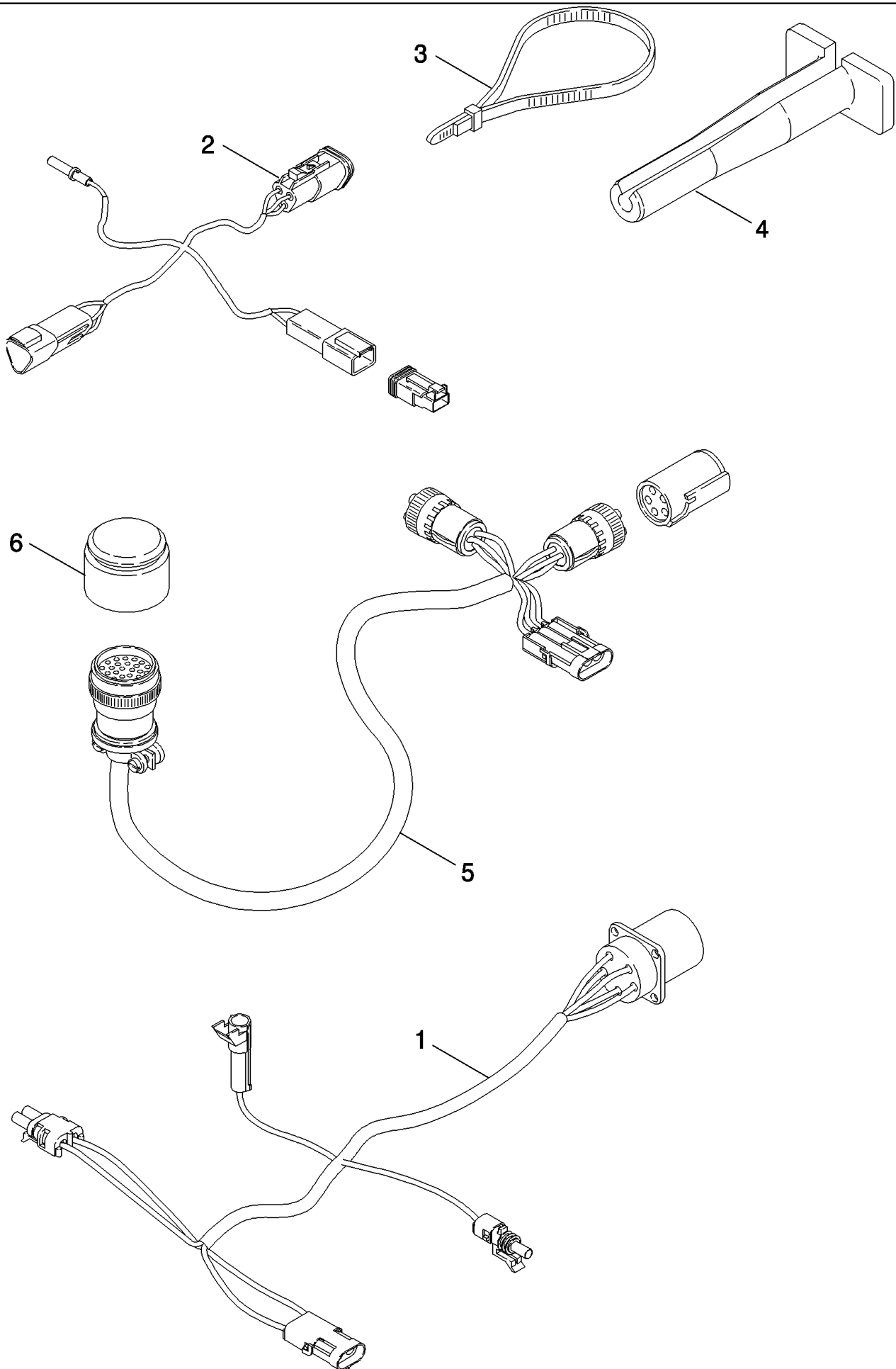
Ref	Part Number	Qty	Description
	87538449	1	PACKAGE,SERVICE, Yield Monitor Interface Unit
1	86976394	1	ELECTRONIC UNIT, CONTROL, Yield Monitor Interface Unit Without Software
2	409-758	3	BOLT, Hex Flg, 5/16"-18 x 1/2", Serr,
3	231-5145	3	NUT, Flg, USR, 5/16"-18,
4	284638A2	2	CONNECTOR, ELEC, Terminator
5	363-31012	2	SCREW, Hex Wash Hd, #10-24 x 3/4",
6	231-51409	5	NUT, Flg, USR, #10-24,
7	87383497	1	HARNESS, WIRE, Main Yield Monitor Interface Unit Exterior
8	87384930	1	HARNESS, WIRE, Yield Monitor Cab Display, See Figure 04-45
9	105849A1	1	RELAY, 20 amp, Continuous Duty, (Not Shown)
10	121412A1	2	FUSE, Mini, 10 ampere (Not Shown)
10	121410A1	1	FUSE, Mini, 5 ampere (Not Shown)
11	87387000	1	BRACKET,
12	276-14520	5	SCREW, SELF TAPPING, Hex Hd, #10 x 1 1/4",
13	131-893	2	NUT, Tinn, U, #10-24, (Not Shown)
14	495-31022	5	WASHER, #10,
15	318575A1	1	HARNESS, WIRE, Yield Sensor (Not Shown)
16	473321C1	12	STRAP, CABLE, .098" x 8", Tie (Not Shown)
17	232801A1	1	SEAL, DOOR, Door, 1016 mm (40 inch) long, (Not Shown)
18	87386396	1	ARM, SUPPORTING, Mount Color Display
19	86508568	4	SCREW, Hex, M6 x 16, 8.8,
20	86588450	4	WASHER, M6,
21	87341265	1	SOFTWARE, 128 MB Compact Flash With Adapter
22	87386398	1	ARM, SUPPORTING, Ram Square Mount
23	435831A1	1	FASTENER, Velcro (Not Shown)
24	87602486	1	COLLAR, , ASN HAJ300532



04-48 BEACON, ROTATING

Ref	Part Number	Qty	Description
	92392C1	2	BEACON, Rotating Beacon, Inc. 1A , 3, 4, If Used
1	1133187R1	1	CAP, Orange, Inc. 2
1A	A187542	1	LENS, Amber
2	NSS	1	NOT SERVICED SEPARATELY, SEAL
3	3217312R1	1	BULB, H1, 12V, 55W,
4	A187575	1	BELT, Rotating Beacon
6	244106A1	2	CONNECTOR, ELEC, Front
7	3177099R1	2	CLAMP,
8	477-73112	AR	BOLT, Slotted Tr Hd, 5/16"-18 x 3/4",
9	231-5145	AR	NUT, Flg, USR, 5/16"-18,
10	101567A2	1	SUPPORT, Rear
11	180429A1	1	SUPPORT, Front
12	614-8020	2	BOLT, Hex, M8 x 20, 8.8,
13	814-8050	2	BOLT, Hex, M8 x 50, 8.8,
14	825-5148	4	NUT, M8, Flg Ser,
15	87345075	1	HARNESS, WIRE, Beacon Light
16	282459A1	2	TERMINAL CONNECTOR, (Not Shown)
17	87307828	1	SWITCH,

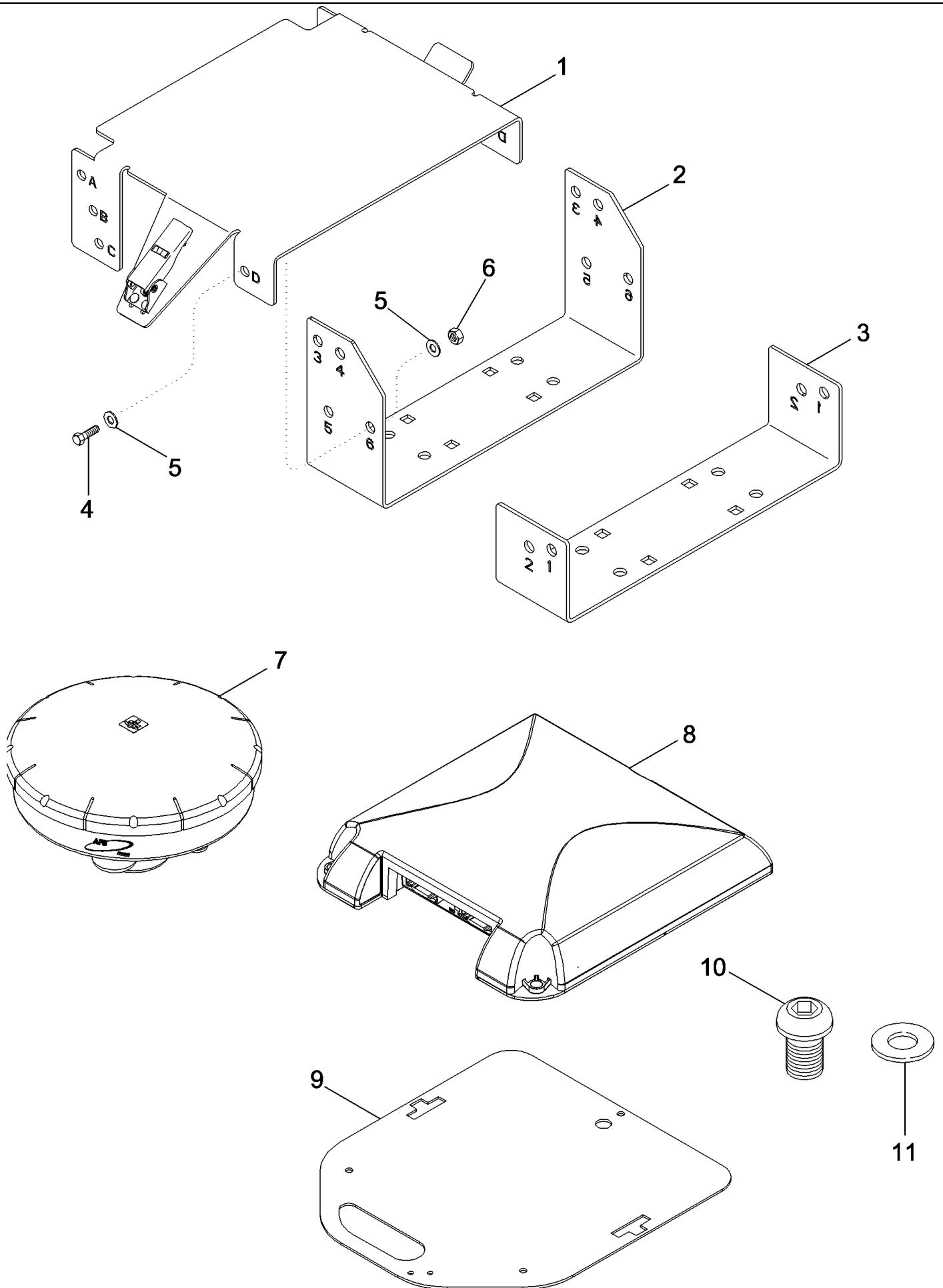
04-49 COMBINE HEADER ADAPTER, ELECTRICAL



04-49 COMBINE HEADER ADAPTER, ELECTRICAL

Ref	Part Number	Qty	Description
	87340862	1	KIT, REPAIR, Hydraulic and Electrical Interface, Inc. 1 - 5. Also See Figure 08-37
1	87447945	1	HARNESS, WIRE, Power and Ground
2	87455341	1	HARNESS, WIRE, Lateral Tilt Adapter
3	86566989	4	STRAP, CABLE, Nylon, 8", Black
4	87050118	1	TOOL, Deutsch Extractor, Size 16, Blue
5	87447944	1	HARNESS, WIRE, Header Interface
6	87105683	1	CAP, Interface Harness

04-50 AFS - ANTENNA UNIT



04-50 AFS - ANTENNA UNIT

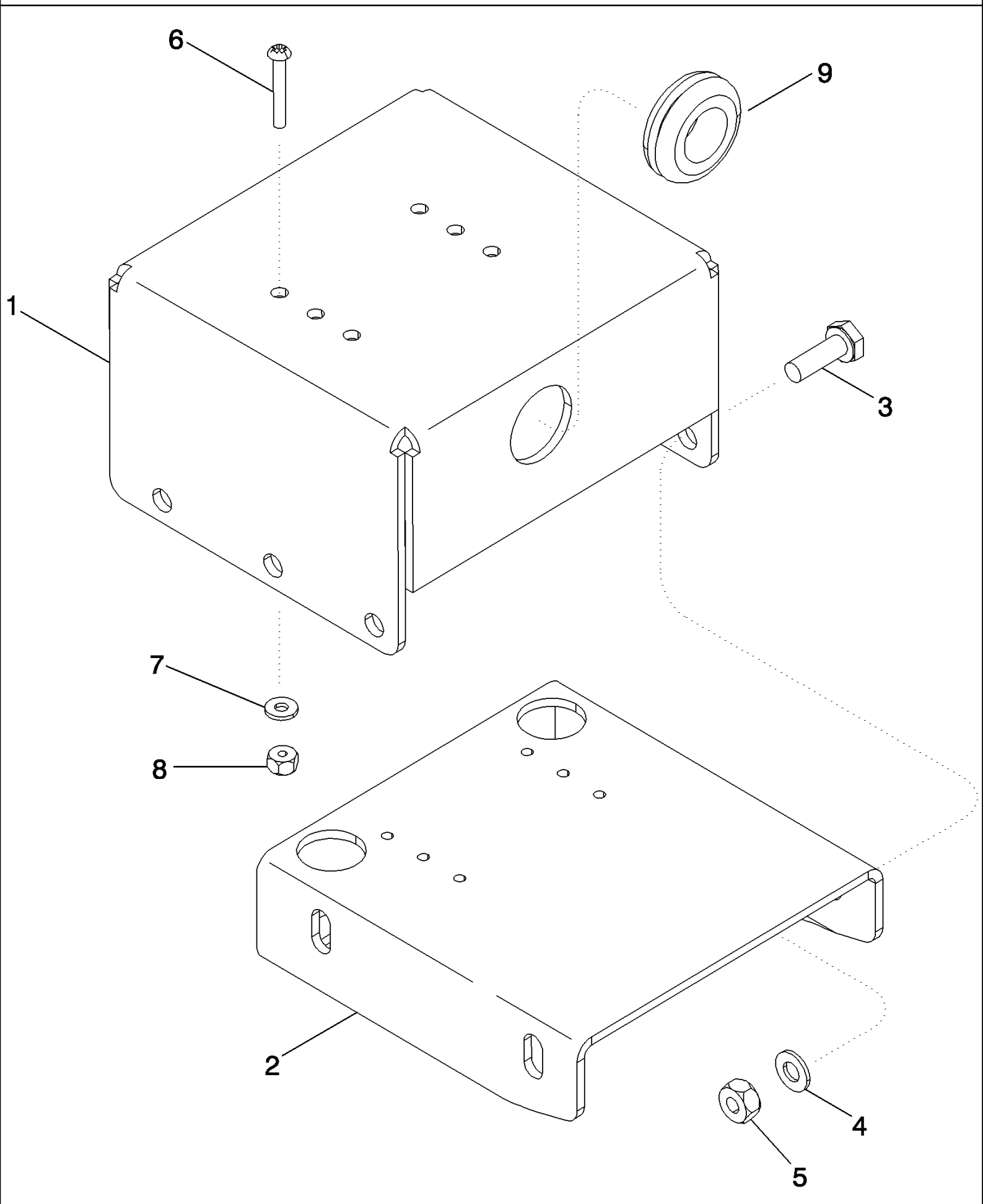
Ref	Part Number	Qty	Description
1	87359035	1	BRACKET, 252 Receiver With Latch
2	87335677	1	BRACKET, Long
3	87335635	1	BRACKET, Short
4	120104	4	SCREW, Hex, M8 x 20, 8.8,
5	322358	8	WASHER, SPRING, Belleville, M8,
6	9706690	4	NUT, M8, CI 8,
7	87350409	1	ANTENNA, /Receiver AFS100, (WAAS Only)
8	87595761	1	PACKAGE, REPAIR, /Receiver AFS252
9	87568855	1	PLATE, MOUNTING,
10	87106351	1	SCREW, To Mount AFS100
11	140048	1	WASHER, SPRING, Belleville, M16,
12	86511479	3	BOLT, Hex Serr Flg, M8 x 20, (Not Shown)
13	322358	3	WASHER, SPRING, Belleville, M8, (Not Shown)
14	9706690	3	NUT, M8, CI 8, (Not Shown)

ART

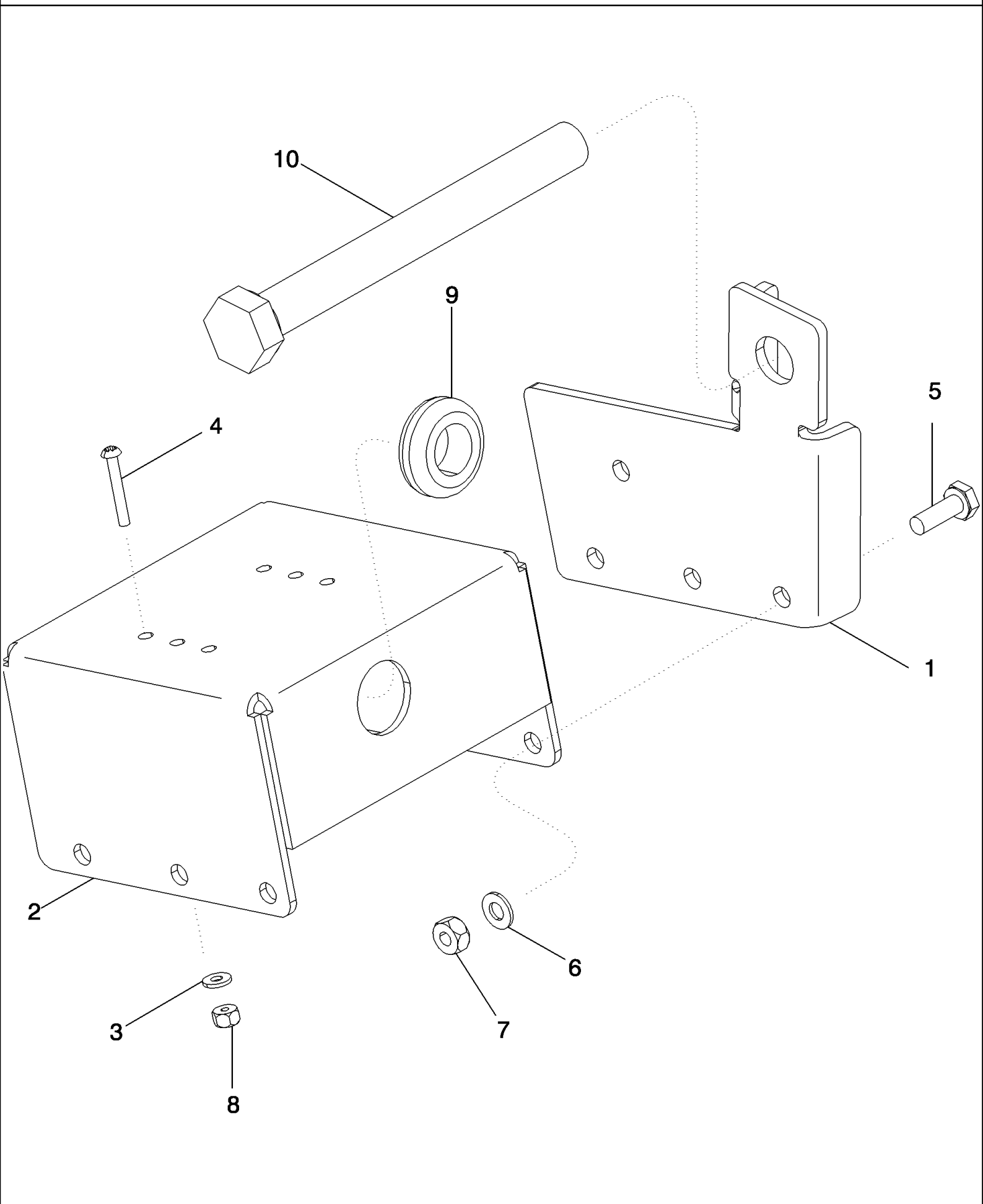
NOT

AVAILABLE

Ref	Part Number	Qty	Description
1	87602275	1	KIT, Auto Sense and Cables, (Not Shown)
2	87602276	1	HARNESS, WIRE, NAV II 40 and 24 Pin, (Not Shown)
3	87602277	1	HARNESS, WIRE, GPS RS232, (Not Shown)
4	87602278	1	HARNESS, WIRE, NAV II to Steering Coils, (Not Shown)
5	87602279	1	HARNESS, WIRE, Flow Sensor to NAV II, (Not Shown)
6	87620805	1	HARNESS, Auto Sense to Combine, (Not Shown)
7	87602280	1	HARNESS, WIRE, GPS - Terminator to P4, (Not Shown)
8	87602281	1	HARNESS, WIRE, Cab Remote Engage, (Not Shown)
9	87602285	1	HARNESS, WIRE, Jumper, (Not Shown)
10	86566990	50	STRAP, CABLE, (Not Shown)
11	87609203	1	HARNESS, WIRE, NAV II Interface, (Not Shown)
12	87610598	1	SWITCH, (Not Shown)
13	86632595	1	CLAMP, 1/2", Insul, 1/2" Bolt, (Not Shown)
14	86639008	2	CLAMP, 1/4", Insul, 1/2" Bolt, (Not Shown)

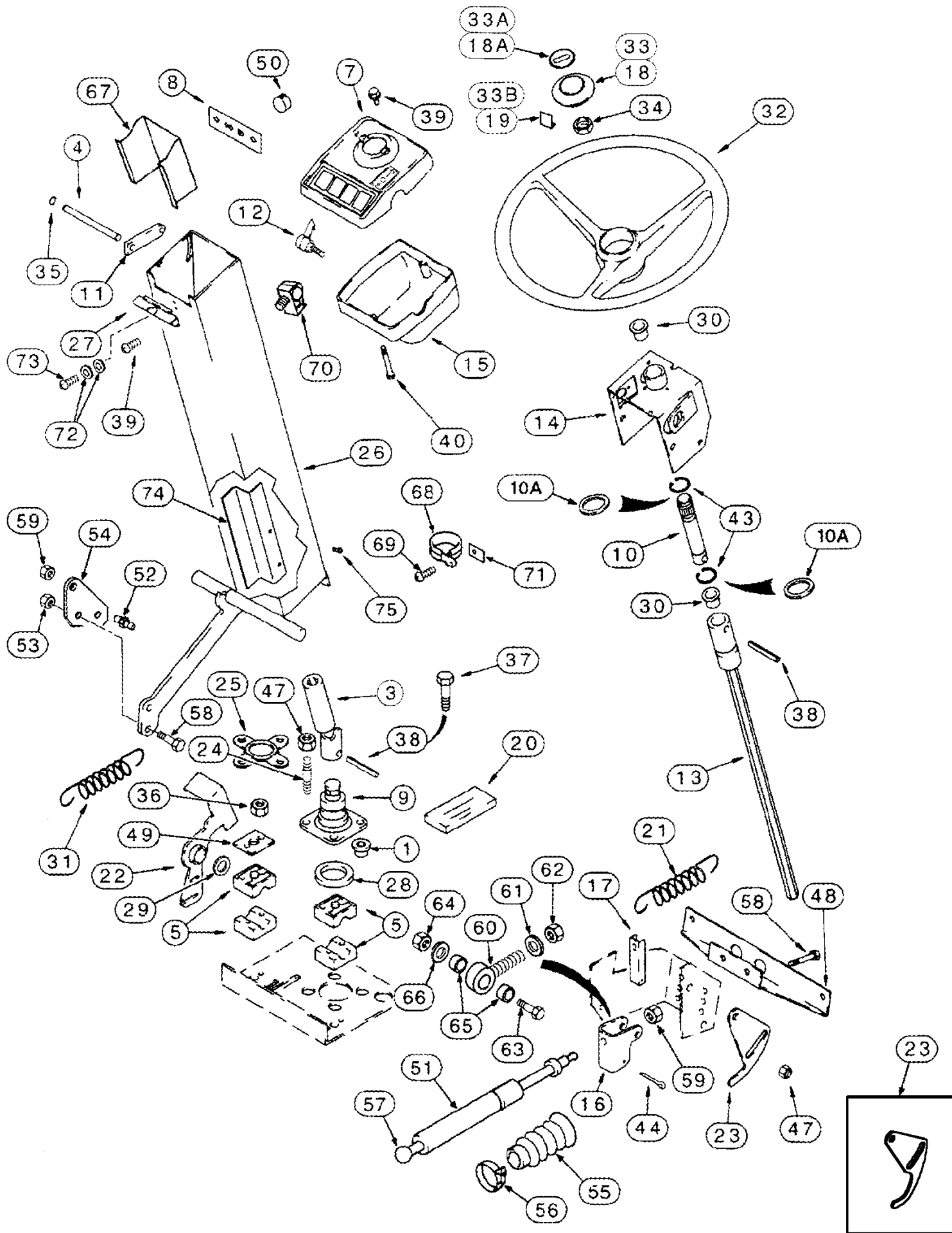


Ref	Part Number	Qty	Description
1	87552616	1	BRACKET,
2	87552615	1	BRACKET,
3	409-7412	4	BOLT, Hex Flg, 1/4"-20 x 3/4", Serr,
4	495-81102	4	WASHER, .266" x 1/2" x .060",
5	523282	4	NUT, Flg, USR, 1/4"-20,
6	281045	6	SCREW, Cross Pan Hd, #6-32 x 1",
7	86511189	6	WASHER, #6,
8	231-14106	6	NUT, LOCK, #6-32, GB,
9	87307909	1	GROMMET,



Ref	Part Number	Qty	Description
1	87567148	1	SUPPORT,
2	87552616	1	BRACKET,
3	86511189	6	WASHER, #6,
4	281045	6	SCREW, Cross Pan Hd, #6-32 x 1",
5	409-7412	4	BOLT, Hex Flg, 1/4"-20 x 3/4", Serr,
6	495-81102	4	WASHER, .266" x 1/2" x .060",
7	523282	4	NUT, Flg, USR, 1/4"-20,
8	231-14106	6	NUT, LOCK, #6-32, GB,
9	87307909	1	GROMMET,
10	426-1096	1	BOLT, Hex, 5/8"-11 x 6", G8,

05-01 STEERING COLUMN - WHEEL



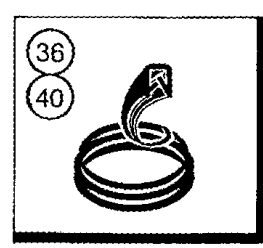
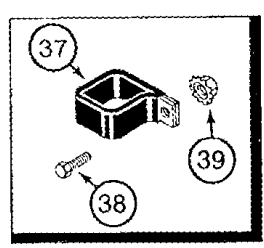
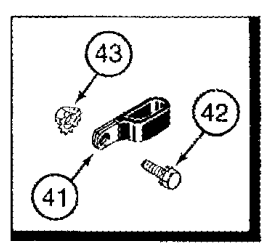
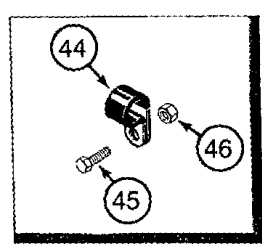
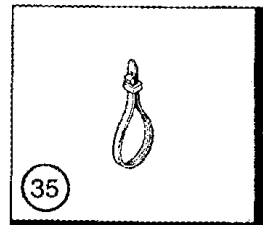
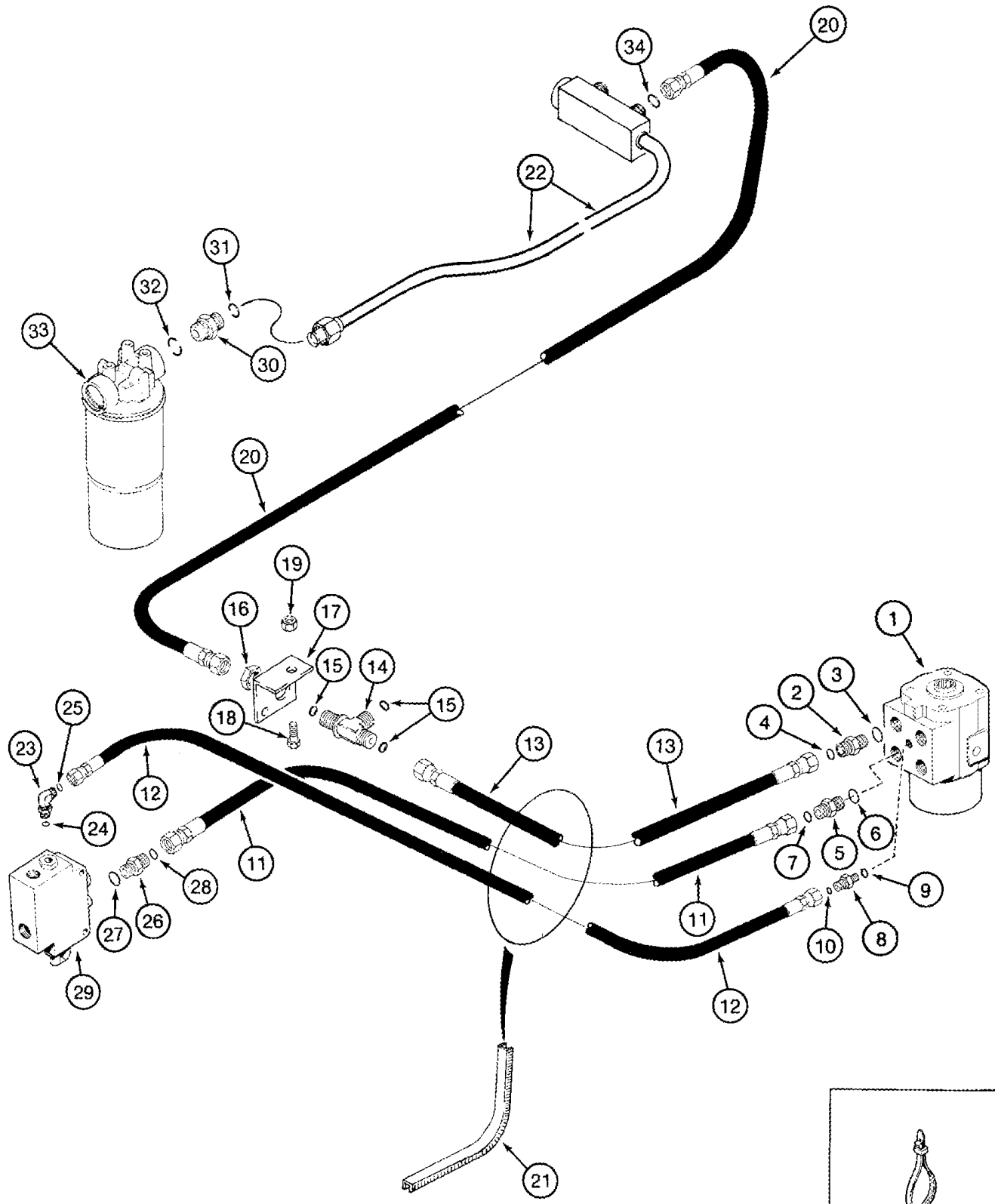
05-01 STEERING COLUMN - WHEEL

Ref	Part Number	Qty	Description
1	104809C1	4	BUSHING, Vibration Damper
3	119760A1	1	JOINT, UNIVERSAL, Lower
4	119830A1	1	ROD, 9.5 x 111 mm
5	120326A2	4	BEARING,
7	87313673	1	BRACKET, Steering Console
8	120332A1	1	DECAL, Directional Arrows, See Figure 09H-23
9	120338A2	1	STEERING COLUMN,
10	124054A3	1	SHAFT, , Also Order REF 10A
10A	495-81051	2	WASHER, 29/32" x 1 1/4" x .060",
11	127040A2	1	PLATE,
12	129255A1	1	HANDLE, Tilt Linkage
13	130952A2	1	JOINT, UNIVERSAL,
14	130953A3	1	SUPPORT,
15	130956A4	1	COVER,
16	224761A1	1	CLEVIS,
17	130958A2	1	CHANNEL,
18	238697A1	1	CAP, Steering Wheel, With AFS Insert, Inc.18A, 19, If Equipped
18A	238696A1	1	SYMBOLS, Advanced Farming System
19	1329896C1	3	CLASP,
20	130961A1	2	SEAL,
21	130962A2	1	SPRING, 27.9 OD x 122 mm
22	136798A1	1	PEDAL, Tilt Release
23	446632A1	1	BRACKET,
24	136802A1	1	STUD, 10 x 48 mm, Pump Mounting
25	136805A1	1	RETAINER,
26	192374A5	1	STEERING COLUMN, Inc. Decal 239509A1, See Figure 09H-19
27	136919A1	1	COVER,
28	148481C1	1	SEAL,
29	185062R1	1	BUSHING,
30	373445R1	2	BUSHING,
31	182652A1	1	SPRING, 27.9 OD x 122 mm, Upper
32	251342A1	1	STEERING WHEEL,
33	187177A1	1	CAP, Inc. 33A, 33B, If Equipped
33A	1342054C1	1	PLASTIC PLUG, Black
33B	1329896C1	3	CLASP,
34	F19646	1	NUT, SPECIAL, 13/16"-20, Thin,
35	100-3337	2	RING, LOCKING, #37, .300" Dia, E-Type,
36	832-10408	4	NUT, LOCK, M8 x 1.25, CI 8,
37	905-10035	3	BOLT, Hex Serr Flg, M10 x 35,
38	38-32420	2	PIN, 3/8" x 1 1/4", Coiled,
39	260-14512	2	SCREW, SELF TAPPING, Cross Pan Hd, #10 x 3/4",
40	540-714	2	SCREW, Cross Pan Hd, M3 x 45,
43	100-1187	2	RING, SNAP, #87, Ext,

05-01 STEERING COLUMN - WHEEL

Ref	Part Number	Qty	Description
44	432-828	2	PIN, SPLIT (COTTER), 1/8" x 1 3/4",
47	825-51410	3	NUT, M10, Flg Ser,
48	120143A4	1	SUPPORT,
49	185268A1	2	PLATE,
50	353-411	1	PLUG, Dome, 1.000" hole, Nylon, , Without Ether Start Attachment
51	224357A1	1	CYLINDER,
52	142597A1	1	STUD,
53	829-1410	1	NUT, M10, CI 10,
54	223917A1	1	PLATE,
55	195089A1	1	BOOT, Cylinder
56	214-1516	1	CLAMP, HOSE, #16, .81/1.50 Type F Worm, W/liner,
57	3233348R1	1	CLIP, Cylinder
58	614-8020	4	BOLT, Hex, M8 x 20, 8.8,
59	825-5148	4	NUT, M8, Flg Ser,
60	224235A1	1	BALL JOINT,
61	496-21034	1	WASHER, 11/32" x 11/16" x 0.89", HDN,
62	425-115	1	NUT, 5/16"-24, G5,
63	413-528	1	BOLT, Hex, 5/16"-18 x 1 3/4", G5,
64	425-105	1	NUT, 5/16"-18, G5,
65	224089A1	2	SPACER,
66	492-11031	2	WASHER, LOCK, 5/16",
67	231985A1	1	GUARD, Wiring
68	515-23254	1	CLAMP, 1", Insul, 3/8" Bolt,
69	1276119C1	1	SCREW, SELF TAPPING, Cross Pan Hd, #10 x 5/8",
70	233185A1	1	CLIP, ELECTRICAL,
71	233186A1	1	CLIP, ELECTRICAL,
72	492-11010	1	WASHER, LOCK, #10,
73	261-1456	3	SCREW, SELF TAPPING, Cross Pan Hd, #10 x 3/8",
74	400648A1	1	SHIELD,
75	191216A1	2	SCREW, SELF TAPPING, Hex Wash Hd, #10-24 x 5/8",

05-02 HYDRAULICS - STEERING SUPPLY AND RETURN



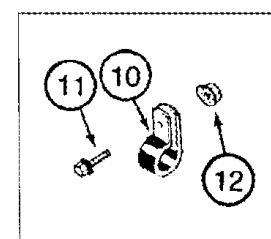
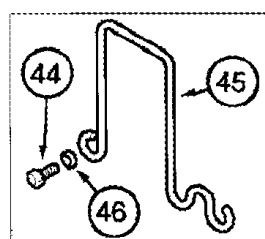
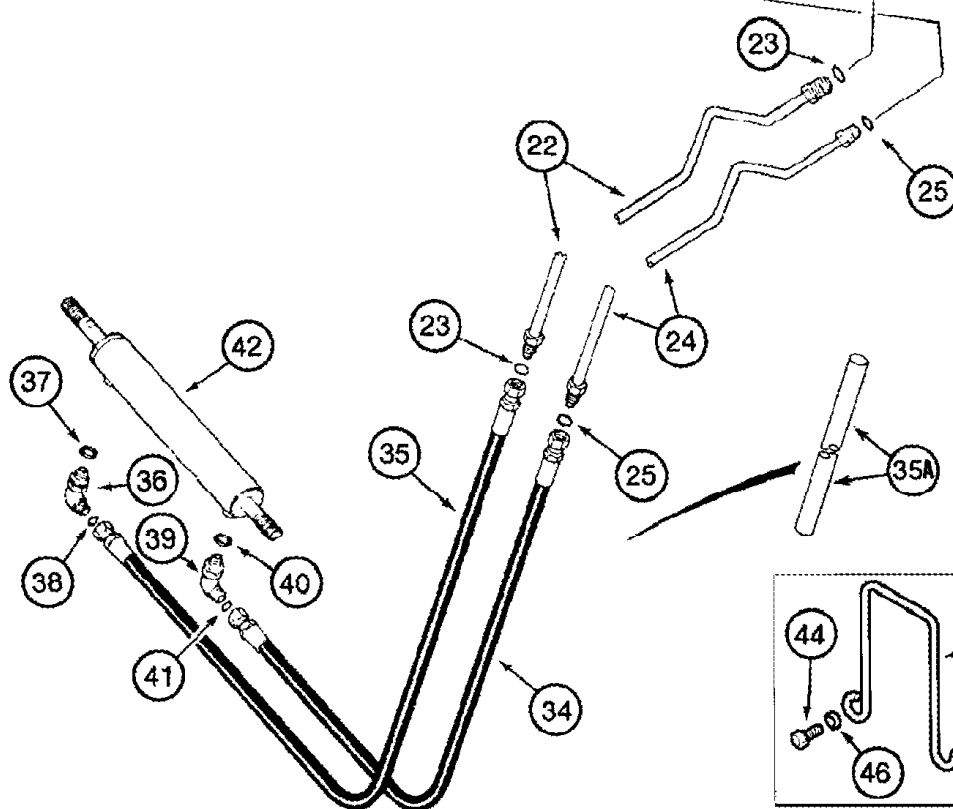
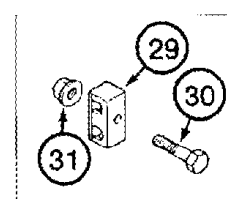
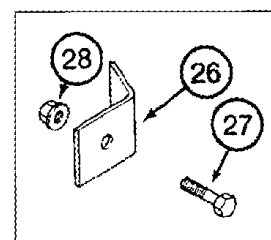
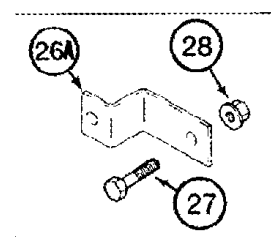
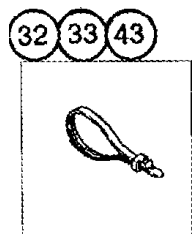
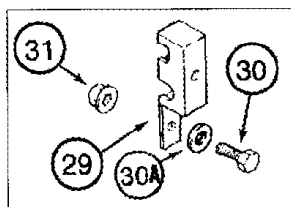
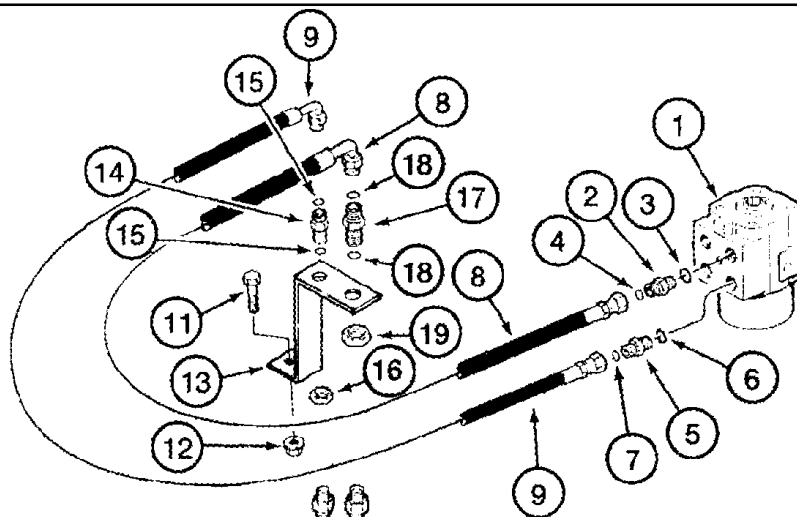
05-02 HYDRAULICS - STEERING SUPPLY AND RETURN

Ref	Part Number	Qty	Description
1	387542A1	1	VALVE, HYDRAULIC, Steering, With Single Steering Cylinder, Component Parts Not Serviced Separately
1	433742A1	1	VALVE, HYDRAULIC, Steering, With Dual Steering Cylinders, Component Parts Not Serviced Separately
2	201-102	1	CONNECTOR, HYD., 13/16"-16 ORFS x 3/4"-16 ORB, Includes 3, 4
3	237-6008	1	O-RING, 8-1, 90 Duro, .644" ID x .087" Thk,
4	238-6014	1	O-RING, -014, 90 Duro, .489" ID x .070" Thk,
5	175170A1	1	ADAPTER, 11/16 fc x 3/4 Or, Inc. 6, 7
6	237-6008	1	O-RING, 8-1, 90 Duro, .644" ID x .087" Thk,
7	238-6012	1	O-RING, -012, 90 Duro, .364" ID x .070" Thk,
8	201-100	1	CONNECTOR, HYD., 9/16"-18 ORFS x 7/16"-20 ORB, Inc. 9, 10
9	237-6004	1	O-RING, 4-1, 90 Duro, .351" ID x .072" Thk,
10	238-6011	1	O-RING, -011, 90 Duro, .301" ID x .070" Thk,
11	237430A1	1	HOSE, FLEXIBLE, 2160 mm (85-1/8 in), Supply, Priority Valve to Steering Pump
12	237432A1	1	HOSE, FLEXIBLE, 2235 mm (88 in), Steering Pump to Priority Valve
13	128009A2	1	HOSE, 850 mm (33-1/2 in), Return, at Steering Pump to Filter
14	201-423	1	TEE, 9/16"-18, Blkhd, Run, ORFS, Inc. 15
15	238-6014	3	O-RING, -014, 90 Duro, .489" ID x .070" Thk,
16	201-903	1	NUT, LOCK, Blkhd, 13/16"-16,
17	305076A1	1	SUPPORT,
18	614-8025	1	BOLT, Hex, M8 x 25, 8.8,
19	832-10408	1	NUT, LOCK, M8 x 1.25, CI 8,
20	237431A1	1	HOSE, FLEXIBLE, 1250 mm (49-1/4 in), Return, at Manifold Tube to Filter
21	324826A1	1	GROMMET, 294 mm (11-5/8 in)
22	124380A1	1	TUBE, HYD, Manifold
23	201-303	1	ELBOW, 90e, 9/16"-18 x 7/16"-20 Adj, ORFS, Inc. 24, 25
24	237-6004	1	O-RING, 4-1, 90 Duro, .351" ID x .072" Thk,
25	238-6011	1	O-RING, -011, 90 Duro, .301" ID x .070" Thk,
26	201-106	1	CONNECTOR, HYD., 11/16"-16 ORFS x 3/4"-16 ORB, Inc. 27, 28
27	237-6008	1	O-RING, 8-1, 90 Duro, .644" ID x .087" Thk,
28	238-6012	1	O-RING, -012, 90 Duro, .364" ID x .070" Thk,
29	114851A2	1	VALVE, , See Figure 05-24
30	201-122	1	CONNECTOR, HYD., 1 7/16"-12 ORFS x 1 5/8"-12 ORB, Inc. 31, 32
31	238-6021	1	O-RING, -021, 90 Duro, .926" ID x .070" Thk,
32	237-6020	1	O-RING, 20-1, 90 Duro, 1.475" ID x .118" Thk,
33	87784C92	1	FILTER, HYDRAULIC OIL, Return, See Figure 08-03
34	238-6014	1	O-RING, -014, 90 Duro, .489" ID x .070" Thk,
35	306132C1	AR	STRAP, CABLE, .30" x 14.5", Tie, 14"
36	87416897	1	CONDUIT,
37	1301387C2	1	CLIP, 2 in ID
38	614-8025	1	BOLT, Hex, M8 x 25, 8.8,
39	825-5148	1	NUT, M8, Flg Ser,
40	126046A1	1	GASKET, 292 mm (11-1/2 in), Cut From 196707C1

05-02 HYDRAULICS - STEERING SUPPLY AND RETURN

Ref	Part Number	Qty	Description
41	470375C1	1	CLAMP,
42	409-7512	1	BOLT, Hex Flg, 5/16"-18 x 3/4", Serr,
43	231-5145	1	NUT, Flg, USR, 5/16"-18,
44	515-23159	1	CLAMP, 5/8", Insul, 3/8" Bolt,
45	614-8025	1	BOLT, Hex, M8 x 25, 8.8,
46	832-10408	1	NUT, LOCK, M8 x 1.25, Cl 8,

05-03 HYDRAULICS - STEERING PUMP TO CYLINDER



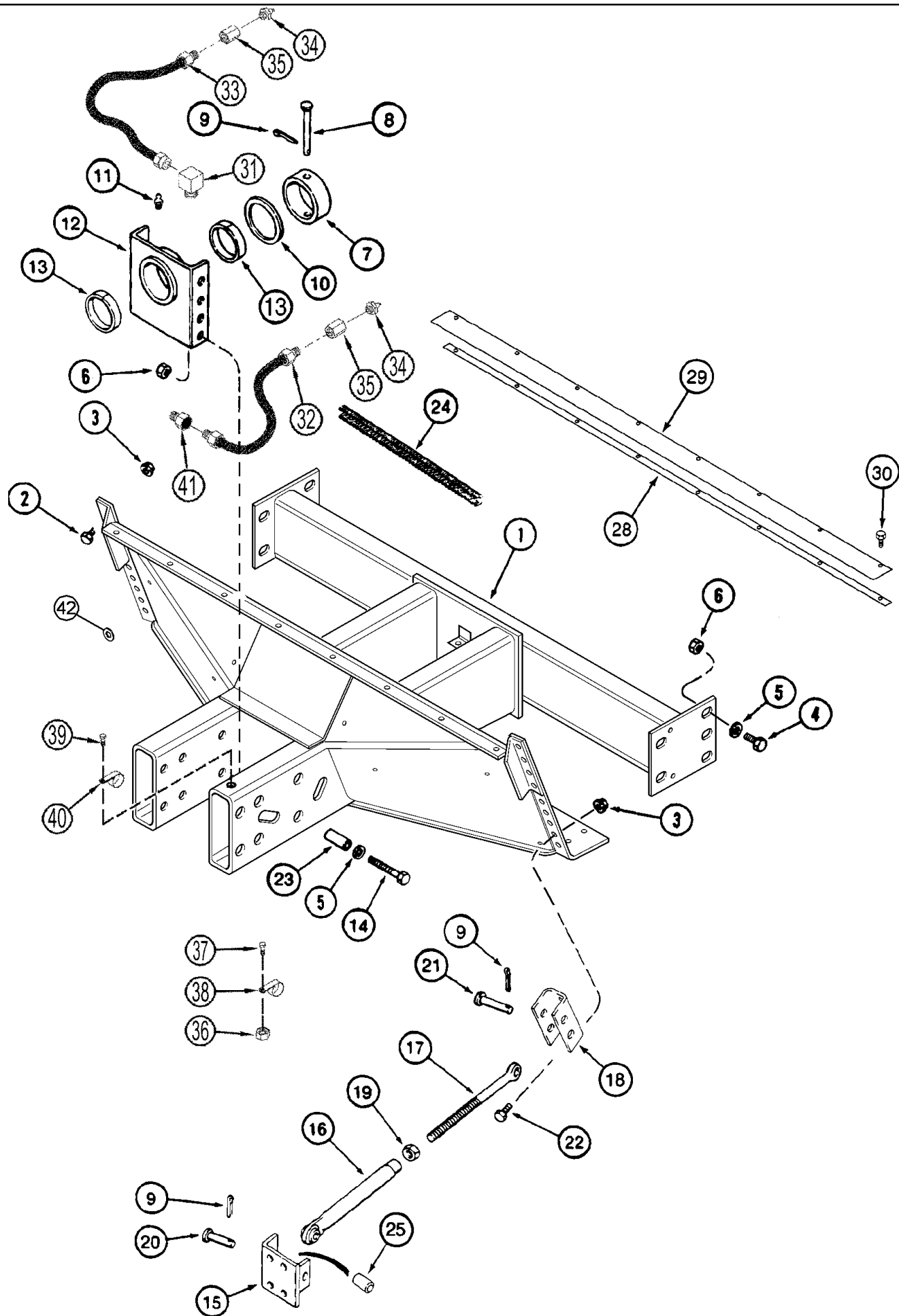
05-03 HYDRAULICS - STEERING PUMP TO CYLINDER

Ref	Part Number	Qty	Description
1	387542A1	1	VALVE, HYDRAULIC, Steering, With Single Steering Cylinder, Component Parts Not Serviced Separately
1	433742A1	1	VALVE, HYDRAULIC, Steering, With Dual Steering Cylinders, Component Parts Not Serviced Separately
2	201-102	1	CONNECTOR, HYD., 13/16"-16 ORFS x 3/4"-16 ORB, Includes 3, 4
3	237-6008	1	O-RING, 8-1, 90 Duro, .644" ID x .087" Thk,
4	238-6014	1	O-RING, -014, 90 Duro, .489" ID x .070" Thk,
5	175170A1	1	ADAPTER, Inc. 6, 7
6	237-6008	1	O-RING, 8-1, 90 Duro, .644" ID x .087" Thk,
7	238-6012	1	O-RING, -012, 90 Duro, .364" ID x .070" Thk,
8	128017A2	1	HOSE, FLEXIBLE, 2670 mm (105 in), Left Hand Turn
9	128019A2	1	HOSE, FLEXIBLE, 2670 mm (105 in), Right Hand Turn
10	515-25476	1	CLAMP, 1 7/8", Insul, 1/2" Bolt,
11	409-7512	2	BOLT, Hex Flg, 5/16"-18 x 3/4", Serr,
12	231-5145	2	NUT, Flg, USR, 5/16"-18,
13	128539A1	1	SUPPORT,
14	201-120	1	CONNECTOR, HYD., 11/16"-16, Blkhd, ORFS, Inc. 15
15	238-6012	2	O-RING, -012, 90 Duro, .364" ID x .070" Thk,
16	201-909	1	NUT, LOCK, Blkhd, 11/16"-16,
17	201-121	1	CONNECTOR, HYD., 13/16"-16, Blkhd, ORFS, Includes 18
18	238-6014	2	O-RING, -014, 90 Duro, .489" ID x .070" Thk,
19	201-903	1	NUT, LOCK, Blkhd, 13/16"-16,
20	128571A1	1	TUBE, HYD, 9.52 mm dia, Upper Front
21	128572A1	1	TUBE, HYD, 12,70 mm dia, Lower Front
22	364369A1	1	TUBE, HYD, Upper Rear
23	238-6012	2	O-RING, -012, 90 Duro, .364" ID x .070" Thk,
24	364370A1	1	TUBE, HYD, Lower Rear
25	238-6014	2	O-RING, -014, 90 Duro, .489" ID x .070" Thk,
26	178960C1	1	BRACKET,
26A	196517C1	1	SUPPORT,
27	409-7612	2	BOLT, Hex Flg, 3/8"-16 x 3/4", Serr,
28	231-5146	2	NUT, Flg, USR, 3/8"-16,
29	1316613C1	5	CLAMP,
30	413-428	5	BOLT, Hex, 1/4"-20 x 1 3/4", G5,
30A	495-81121	6	WASHER, .344" x 1 1/2" x .060",
31	231-5144	5	NUT, Flg, USR, 1/4"-20,
32	306132C1	1	STRAP, CABLE, .30" x 14.5", Tie, 14 inch
33	435437A1	2	STRAP, CABLE, 3/16" x 7 1/4", 7 in
34	128083A2	1	HOSE, FLEXIBLE, 1727 mm (68 in), To Cylinder Closed End, With 100 - 120 Inch Adjustable Axle
34	128084A2	1	HOSE, FLEXIBLE, 1960 mm (77-1/8 in), To Cylinder Closed End, With Power Guide Axle, With 120 - 144 Inch Adjustable Axle
35	128088A2	1	HOSE, FLEXIBLE, 1956 mm (77 in), To Cylinder Rod End, With 100 - 120 Inch Adjustable Axle

05-03 HYDRAULICS - STEERING PUMP TO CYLINDER

Ref	Part Number	Qty	Description
35	87564463	1	HOSE ASSY., 2160 mm (85 in), To Cylinder Rod End, With Power Guide Axle, With 120 - 144 Inch Adjustable Axle
35A	229298A1	1	BOOT,
36	201-304	1	ELBOW, 90e, 11/16"-16 x 9/16"-18 Adj, ORFS, Inc. 37, 38, Single Steering Cylinder, See Figure 05-19
36	201-406	1	TEE, 11/16"-16 x 9/16"-18 Run, ORFS, Dual Steering Cylinder, See Figure 05-19
37	237-6006	1	O-RING, 6-1, 90 Duro, .468" ID x .078" Thk,
38	238-6012	1	O-RING, -012, 90 Duro, .364" ID x .070" Thk,
39	201-332	1	ELBOW, 90e, 13/16"-16 x 9/16"-18, Adj, ORFS, Inc. 40, 41, Single Steering Cylinder, See Figure 05-18
39	201-416	1	TEE, 13/16"-16 ORFS x 13/16"-16 Sw Run, Dual Steering Cylinder, See Figure 05-19
40	238-6014	1	O-RING, -014, 90 Duro, .489" ID x .070" Thk,
41	238-6014	1	O-RING, -014, 90 Duro, .489" ID x .070" Thk,
42	87337226	1	CYLINDER, 64 ID x 229 mm strk, Single Steering Cylinder, See Figure 05-20
42	87337229	2	CYLINDER, 57 ID x 229 mm strk, Dual Steering Cylinder, See Figure 05-21
43	386170C1	1	STRAP, CABLE, .30" x 27 1/2", 711 mm (28 in)
43	L18331	1	STRAP, CABLE,
45	232707A1	1	GUIDE,
44	477-73816	2	SCREW, Slt'd Serr Truss Hd, 3/8" x 1",
46	495-81135	2	WASHER, 13/32" x 1" x .120",
47	231-5146	2	NUT, Flg, USR, 3/8"-16, (Not Shown)

05-04 AXLE, STEERING - SUPPORT - ADJUSTABLE AXLE

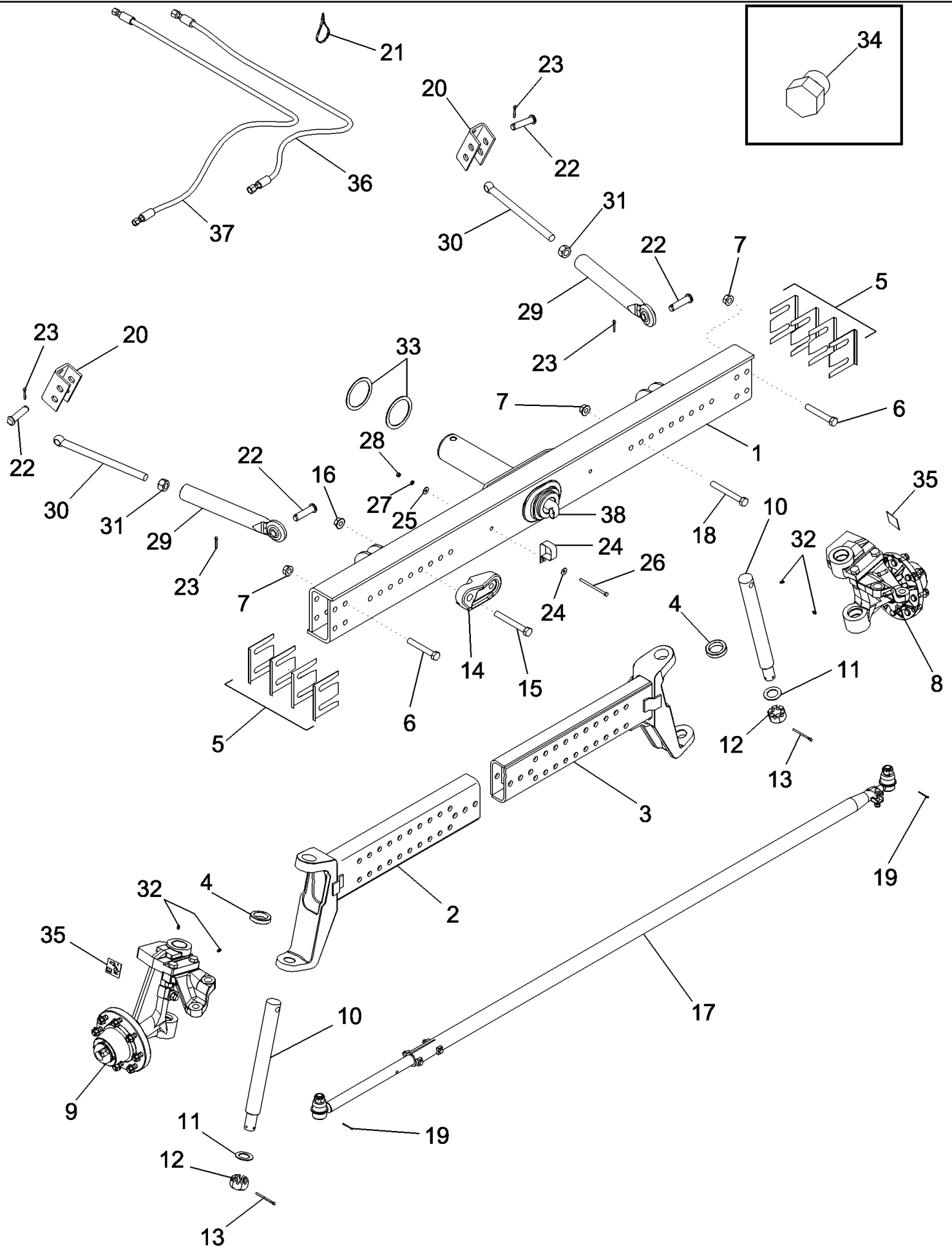


05-04 AXLE, STEERING - SUPPORT - ADJUSTABLE AXLE

Ref	Part Number	Qty	Description
1	87590281	1	SUPPORT,
2	426-816	12	BOLT, Hex, 1/2"-13 x 1", G8, Full Thd,
3	87301492	12	NUT, Flg, USR, 1/2"-13, G8, , BSN HAJ303001
3	232-41110	6	NUT, LOCK, 5/8"-11, GC, , ASN HAJ303001
4	426-1224	4	BOLT, Hex, 3/4"-10 x 1 1/2", G8,
5	496-21081	AR	WASHER, 13/16" x 1 1/2" x .179", HDN,
5	496-21053	12	WASHER, 17/32" x 1 1/16" x .134",
6	87301494	AR	NUT, Flg, USR, 3/4"-10, G8,
7	182795C1	1	BUSHING,
8	439-11288	1	PIN, HEADED, 3/4" x 5 1/2",
9	432-1620	AR	PIN, SPLIT (COTTER), 1/4" x 1 1/4",
10	168385C2	2	WASHER,
11	219-87	2	NIPPLE, LUBE, 1/4"-28 x .56" lg, Self-Tap,
11	219-93	1	NIPPLE, LUBE, 90e, 1/4" NPT x .75" lg, Drive,
12	182792C97	1	SUPPORT, Front, Inc. 13
13	182794C1	2	RING,
14	84450	8	BOLT, Hex, 3/4"-10 x 4 1/2", G8,
14	426-1288	2	BOLT, Hex, 3/4"-10 x 5 1/2", G8,
14	426-1296	2	BOLT, Hex, 3/4"-10 x 6", G8,
15	254425A1	2	SUPPORT, Rear
16	181444C1	2	TIE-ROD,
17	181442C3	2	EYEBOLT,
18	1541603C1	2	SUPPORT, , BSN HAJ303001
18	87590286	2	BRACKET, , ASN HAJ303001
19	425-1016	2	NUT, 1"-8, G5, Front
20	439-11488	2	PIN, HEADED, 7/8" x 5 1/2",
21	439-11456	4	PIN, HEADED, 7/8" x 3 1/2",
22	426-824	6	BOLT, Hex, 1/2"-13 x 1 1/2", G8, Full Thd, , With Power Guide Axle
22	426-832	6	BOLT, Hex, 1/2"-13 x 2", G8, , BSN HAJ303001
22	426-1028	6	BOLT, Hex, 5/8"-11 x 1 3/4", G8, Full Thd, , ASN HAJ303001
23	177748C1	AR	SPACER, 13/16 x 1-1/4 x 2-13/16
24	120895A1	1	GROMMET,
25	254598A1	2	SPACER,
26	76349	1	PLUG, Hex Hd, 9/16"-18 ORB, Inc. 27, (Not Shown), Without Power Guide Axle
27	237-6006	1	O-RING, 6-1, 90 Duro, .468" ID x .078" Thk,
28	316709A1	1	STRIP, Shoe Seal
29	316711A1	1	SEAL, Rubber, Shoe
30	138558A1	8	SCREW, 5/16 x 13/16
31	219-439	1	ADAPTER, 90e, 1/4"-1/8 NPTF,
32	431724A1	1	HOSE, FLEXIBLE, 1317 mm (52 in)
33	428293A1	1	HOSE, FLEXIBLE, 1091 mm (43 in)
34	219-8	2	NIPPLE, LUBE, 1/4"-28 NPT x .54" lg,
35	F53473	2	NUT, 1/8

05-04 AXLE, STEERING - SUPPORT - ADJUSTABLE AXLE

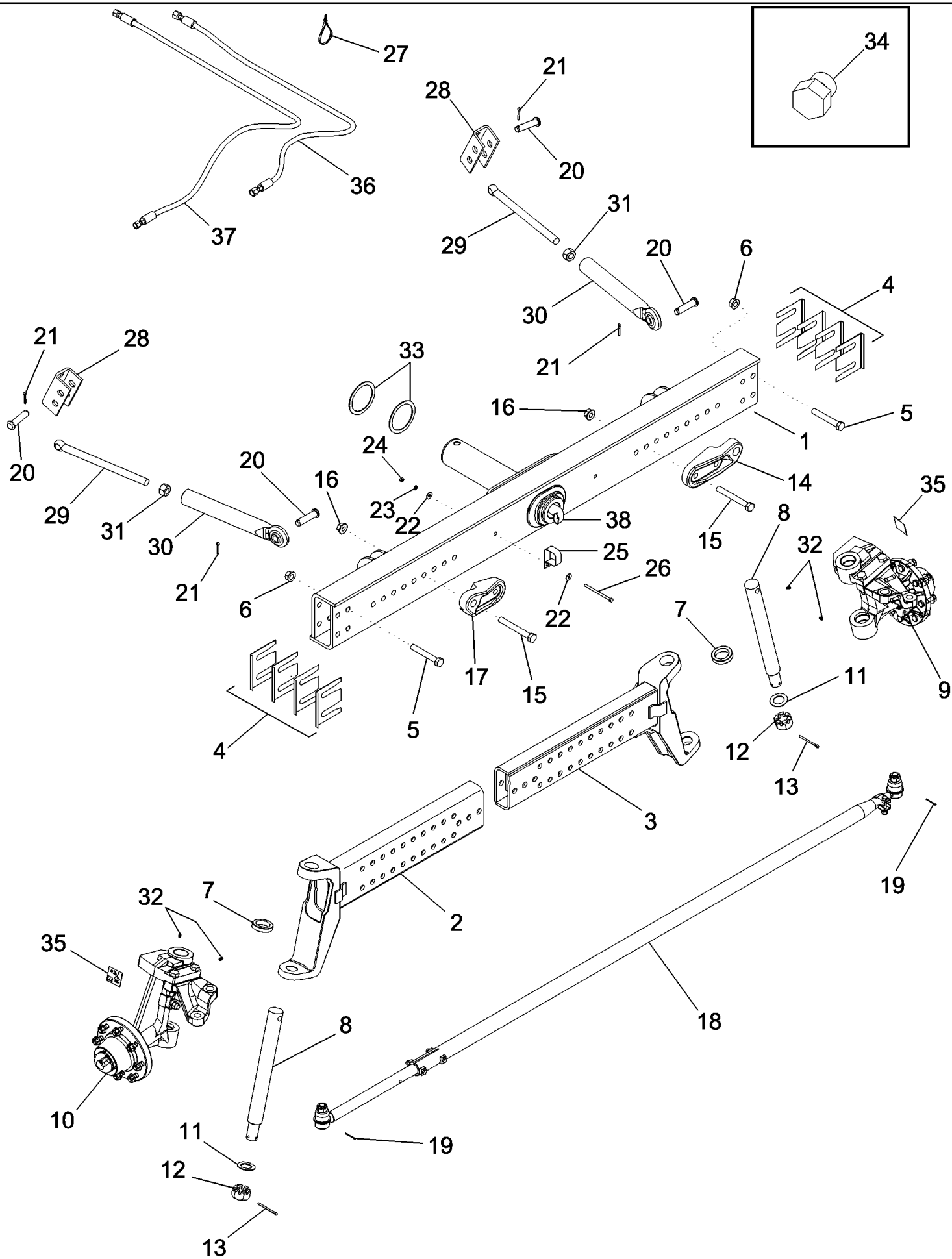
Ref	Part Number	Qty	Description
36	231-5145	1	NUT, Flg, USR, 5/16"-18,
37	409-7512	1	BOLT, Hex Flg, 5/16"-18 x 3/4", Serr,
38	515-23254	1	CLAMP, 1", Insul, 3/8" Bolt,
38	515-23317	1	CLAMP, 1 1/4", Insul, 3/8" Bolt,
39	276-14912	1	SCREW, SELF TAPPING, Hex Hd, 3/8" x 3/4",
40	515-23317	1	CLAMP, 1 1/4", Insul, 3/8" Bolt,
41	219-418	1	ADAPTER, 1/4"-1/8 NPTF,
42	496-41066	2	WASHER, 21/32" x 1 1/2" x .188", HDN, , ASN HAJ303001



05-05 AXLE, ADJUSTABLE STEERING, SINGLE CYLINDER

Ref	Part Number	Qty	Description
1	87565764	1	AXLE (CENTRE PART), Adjustable
2	87526449	1	EXTENSION, Axle Guide Wheel, Left Hand
3	87526450	1	EXTENSION, Axle Guide Wheel, Right Hand
4	A27602	2	BEARING, THRUST, Front Wheel Spindle
5	236028A2	8	SHIM, Axle Tube Shim
6	413-1280	8	BOLT, Hex, 3/4"-10 x 5", G5,
7	231-51412	10	NUT, Flg, USR, 3/4"-10,
8	REF	1	INSTRUCTION, Knuckle Assy, Right Hand, See Figure 05-07
9	REF	1	INSTRUCTION, Knuckle Assy, Left Hand, See Figure 05-07
10	186052C1	2	PIN, King, Guide Wheel
11	495-81224	2	WASHER, 1 17/32" x 2 1/2" x .109",
12	425-1224	2	NUT, SLOTTED, 1 1/2"-6, G5,
13	432-1648	2	PIN, SPLIT (COTTER), 1/4" x 3",
14	87530632	1	SUPPORT, Steering Cylinder, Left Hand, BSN HAJ301663
14	87629009	1	BRACKET, Steering Cylinder, Left Hand, ASN HAJ301663
15	426-1296	2	BOLT, Hex, 3/4"-10 x 6", G8, , BSN HAJ301663
15	426-1296	3	BOLT, Hex, 3/4"-10 x 6", G8, , ASN HAJ301663
16	232-53112	2	NUT, LOCK, Flg, 3/4"-10, , BSN HAJ301663
16	232-53112	3	NUT, LOCK, Flg, 3/4"-10, , ASN HAJ301663
17	86984114	1	KIT, Tie Rod Assy, See Figure 05-09
18	413-1280	2	BOLT, Hex, 3/4"-10 x 5", G5,
19	432-824	2	PIN, SPLIT (COTTER), 1/8" x 1 1/2",
20	1541603C1	2	SUPPORT, Front Stabilizer Bar, BSN HAJ303001
20	87590286	2	BRACKET, Front Stabilizer Bar, ASN HAJ303001
21	291207C1	1	CLAMP, Rear Steering Hoses
22	439-11456	4	PIN, HEADED, 7/8" x 3 1/2",
23	432-1620	4	PIN, SPLIT (COTTER), 1/4" x 1 1/4",
24	1301387C2	1	CLIP,
25	495-81116	2	WASHER, .344" x 1" x .060",
26	413-580	1	BOLT, Hex, 5/16"-18 x 5", G5,
27	492-11031	1	WASHER, LOCK, 5/16",
28	425-105	1	NUT, 5/16"-18, G5,
29	181444C1	2	TIE-ROD,
30	181442C3	2	EYEBOLT, Axle Rod
31	425-1016	2	NUT, 1"-8, G5,
32	219-87	4	NIPPLE, LUBE, 1/4"-28 x .56" lg, Self-Tap,
33	168385C2	2	WASHER, Track Pivot Shaft
34	218-5155	1	PLUG, Hex Hd, 9/16"-18 ORB,
35	181992A1	2	DECAL,
36	128083A2	1	HOSE, FLEXIBLE, Steering, Rear
37	128088A2	1	HOSE, FLEXIBLE, Steering, Rear
38	229298A1	1	BOOT, Steering Hoses

100 to 120 Inch Axle Without Power Guide Axle

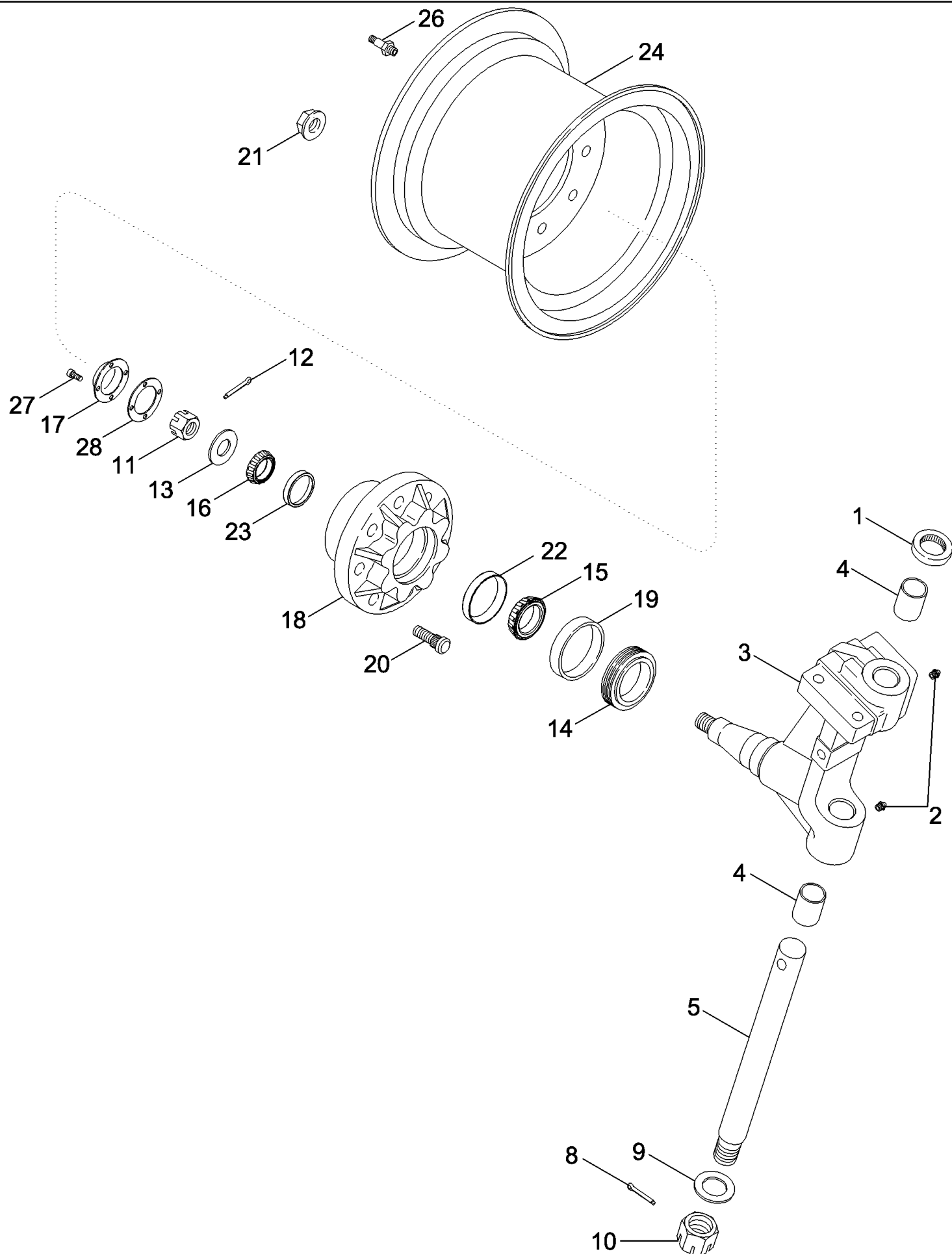


120 to 144 Inch Axle Without Power Guide Axle

05-06 AXLE, ADJUSTABLE STEERING, DUAL CYLINDER

Ref	Part Number	Qty	Description
1	87565768	1	AXLE (CENTRE PART), Guide Wheel
2	87526449	1	EXTENSION, Axle Guide Wheel, Left Hand
3	87526450	1	EXTENSION, Axle Guide Wheel, Right Hand
4	236028A2	8	SHIM, Axle Tube Shim
5	413-1280	8	BOLT, Hex, 3/4"-10 x 5", G5,
6	231-51412	8	NUT, Flg, USR, 3/4"-10,
7	A27602	2	BEARING, THRUST, Front Wheel Spindle
8	186052C1	2	PIN, King, Guide Wheel
9	REF	1	INSTRUCTION, Knuckle Assy, Right Hand, See Figure 05-07
10	REF	1	INSTRUCTION, Knuckle Assy, Left Hand, See Figure 05-07
11	495-81224	2	WASHER, 1 17/32" x 2 1/2" x .109",
12	425-1224	2	NUT, SLOTTED, 1 1/2"-6, G5,
13	432-1648	2	PIN, SPLIT (COTTER), 1/4" x 3",
14	87530633	1	SUPPORT, Steering Cylinder, Right Hand, BSN HAJ301663
14	87629010	1	BRACKET, Steering Cylinder, Right Hand, ASN HAJ301663
15	426-1296	4	BOLT, Hex, 3/4"-10 x 6", G8, , BSN HAJ301663
15	426-1296	6	BOLT, Hex, 3/4"-10 x 6", G8, , ASN HAJ301663
16	232-53112	4	NUT, LOCK, Flg, 3/4"-10, , BSN HAJ301663
16	232-53112	6	NUT, LOCK, Flg, 3/4"-10, , ASN HAJ301663
17	87530632	1	SUPPORT, Steering Cylinder, Left Hand, BSN HAJ301663
17	87629009	1	BRACKET, Steering Cylinder, Left Hand, ASN HAJ301663
18	87559673	1	LINK DRAG, Tie Rod Assy, See Figure 05-10
19	432-824	2	PIN, SPLIT (COTTER), 1/8" x 1 1/2",
20	439-11456	4	PIN, HEADED, 7/8" x 3 1/2",
21	432-1620	4	PIN, SPLIT (COTTER), 1/4" x 1 1/4",
22	495-81116	2	WASHER, .344" x 1" x .060",
23	492-11031	1	WASHER, LOCK, 5/16",
24	425-105	1	NUT, 5/16"-18, G5,
25	1301387C2	1	CLIP,
26	413-580	1	BOLT, Hex, 5/16"-18 x 5", G5,
27	291207C1	1	CLAMP, Rear Steering Hoses
28	1541603C1	2	SUPPORT, Front Stabilizer Bar, BSN HAJ303001
28	87590286	2	BRACKET, Front Stabilizer Bar, ASN HAJ303001
29	181442C3	2	EYEBOLT, Axle Rod
30	181444C1	2	TIE-ROD,
31	425-1016	2	NUT, 1"-8, G5,
32	219-87	4	NIPPLE, LUBE, 1/4"-28 x .56" lg, Self-Tap,
33	168385C2	2	WASHER, Track Pivot Shaft
34	218-5155	1	PLUG, Hex Hd, 9/16"-18 ORB,
35	181992A1	2	DECAL,
36	128084A2	1	HOSE, FLEXIBLE, Steering
37	87564463	1	HOSE ASSY., Steering
38	229298A1	1	BOOT, Steering Hoses

120 to 144 Inch Axle Without Power Guide Axle

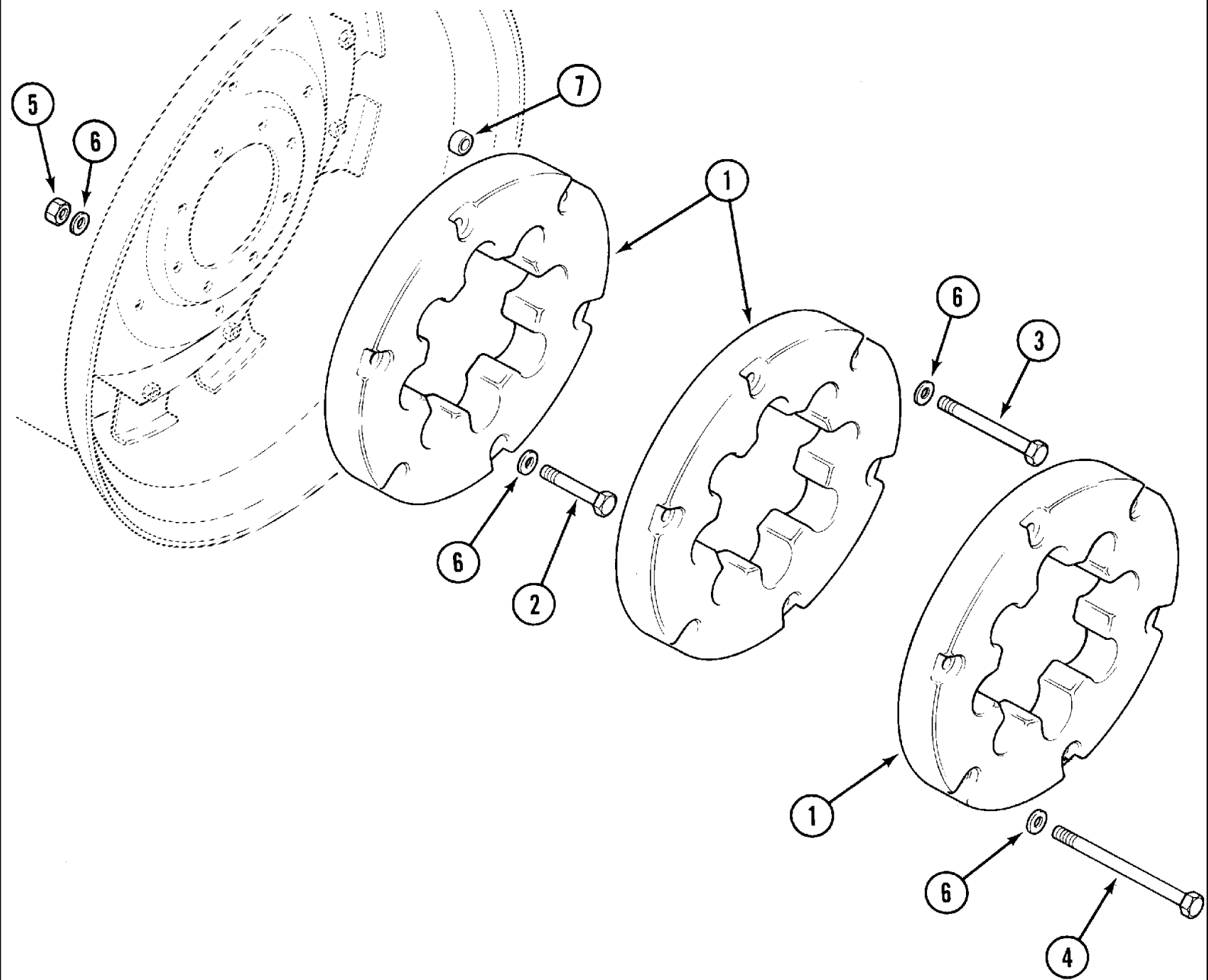


05-07 AXLE, ADJUSTABLE - STEERING KNUCKLE, HUB AND WHEELS

Ref	Part Number	Qty	Description
1	A27602	2	BEARING, THRUST,
2	219-87	4	NIPPLE, LUBE, 1/4"-28 x .56" lg, Self-Tap,
3	87531015	1	KNUCKLE ASSY., Left Hand, Inc. 4, With 100 - 120 Inch Adjustable Axle
3	87531020	1	KNUCKLE ASSY., Left-Hand, HD, Inc. 4, With 120 - 144 Inch Adjustable Axle
3	87531017	1	KNUCKLE ASSY., Right Hand, Inc. 4, With 100 - 120 Inch Adjustable Axle
3	87531030	1	KNUCKLE ASSY., Right Hand, HD, Inc. 4, With 120 - 144 Inch Adjustable Axle
4	186680C1	2	BUSHING,
5	186052C1	2	PIN,
8	425-1224	2	NUT, SLOTTED, 1 1/2"-6, G5,
9	495-81224	2	WASHER, 1 17/32" x 2 1/2" x .109",
10	432-1648	2	PIN, SPLIT (COTTER), 1/4" x 3",
11	425-1316	2	NUT, SLOTTED, 1"-14, G5,
12	432-824	2	PIN, SPLIT (COTTER), 1/8" x 1 1/2",
13	435688A1	2	WASHER, 1-1/32 x 2-1/4 x 1/4
14	169329C91	2	SEAL, , With 100 - 120 Inch Adjustable Axle
14	430139A1	2	SEAL, , With 120 - 144 Inch Adjustable Axle
15	A61447	2	BEARING, CONE, 2-1/16 in ID, With 100 - 120 Inch Adjustable Axle
15	384546A1	2	BEARING, CONE, 2-5/32 in ID, With 120 - 144 Inch Adjustable Axle
16	663557R91	2	BEARING, CONE, 1-5/8 ID
17	84097561	2	HUB CAP,
18	87307671	2	HUB, Inc. 19 - 23, With 100 - 120 Inch Adjustable Axle
18	87307670	1	HUB, Assy, Heavy Duty, Inc. 19 - 23, With 120 - 144 Inch Adjustable Axle
19	169328C1	1	SLEEVE, , With 100 - 120 Inch Adjustable Axle
19	430141A2	1	SLEEVE, Heavy Duty, With 120 - 144 Inch Adjustable Axle
20	431727A2	8	BOLT, 5/8 x 2-9/16
22	625743C1	1	BEARING, CUP, , With 100 - 120 Inch Adjustable Axle
22	529208R1	1	BEARING, CONE, Heavy Duty, With 120 - 144 Inch Adjustable Axle
23	663558R1	1	BEARING, CUP, 2-57/64 OD
24	192201A2	2	WHEEL, 12 x 24 in, Heavy Duty, For 14.9 x 24 inch Tire
24	417734A1	2	WHEEL, 15 x 24, For 500/70R24 or (9.5L - 24) Tire
26	179482C1	2	VALVE STEM, 7/16 in dia
26	407184R1	2	VALVE, Core
27	461-32512	8	SCREW, Hex Soc Hd, 1/4"-20 x 3/4",
28	743583	2	GASKET, Gasket

100 to 120 Inch Axle, 120 to 144 Inch Axle, Without Power Guide Axle

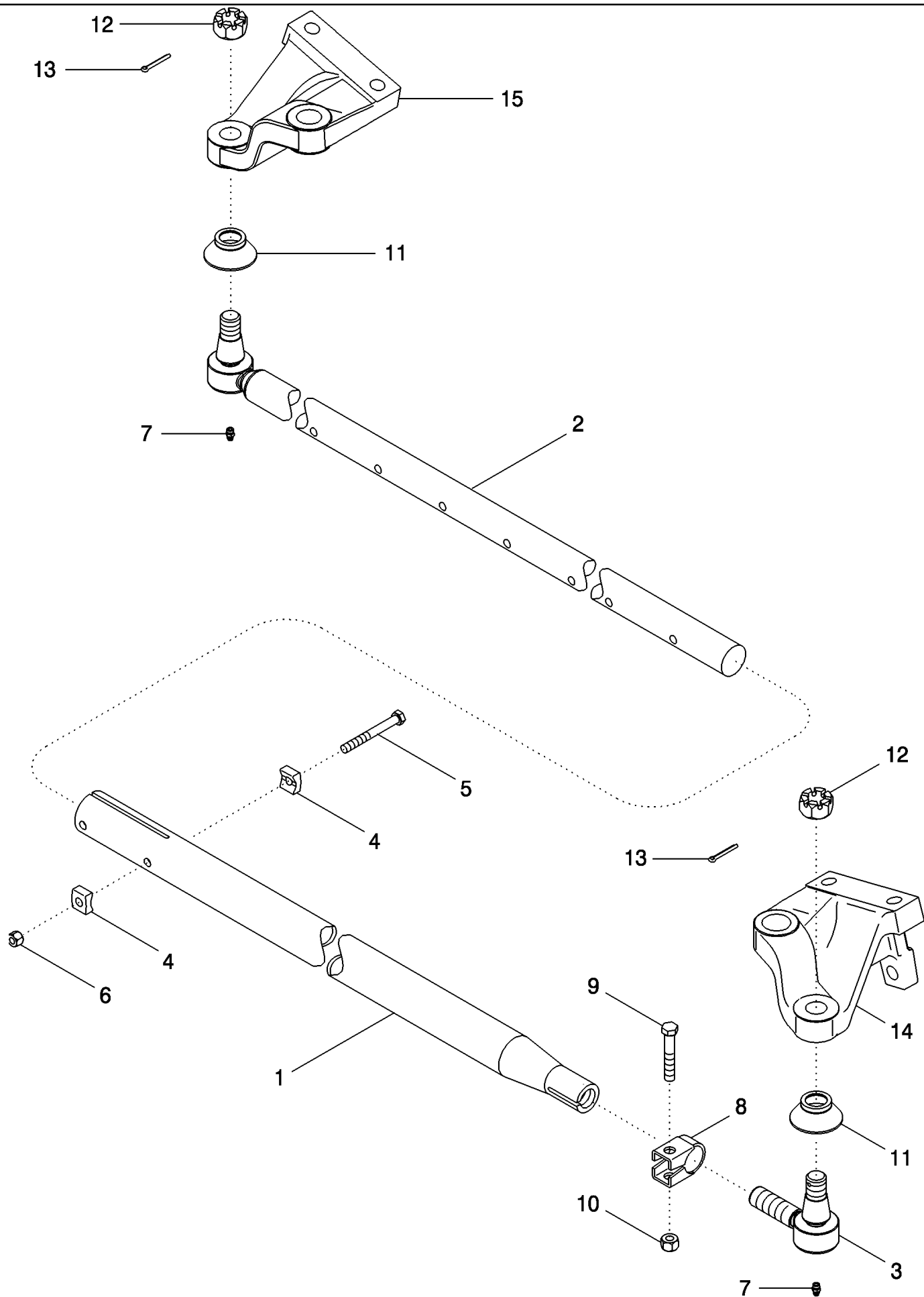
05-08 REAR WHEEL WEIGHT



05-08 REAR WHEEL WEIGHT

Ref	Part Number	Qty	Description
1	3140032R3	AR	WEIGHT,
2	814-16115	4	SCREW, M16 x 115; 8,8, 1st Set
3	814-16190	4	BOLT, Hex, M16 x 190, 8.8, 2nd Set
4	814-16260	4	BOLT, Hex, M16 x 260, 8.8, 3rd Set
5	825-1416	AR	NUT, M16, CI 8,
6	896-11016	AR	WASHER, M17.5 x 30 x 4, HT,
7	1534896C1	AR	SPACER,

05-09 AXLE, ADJUSTABLE - TIE ROD, STEERING

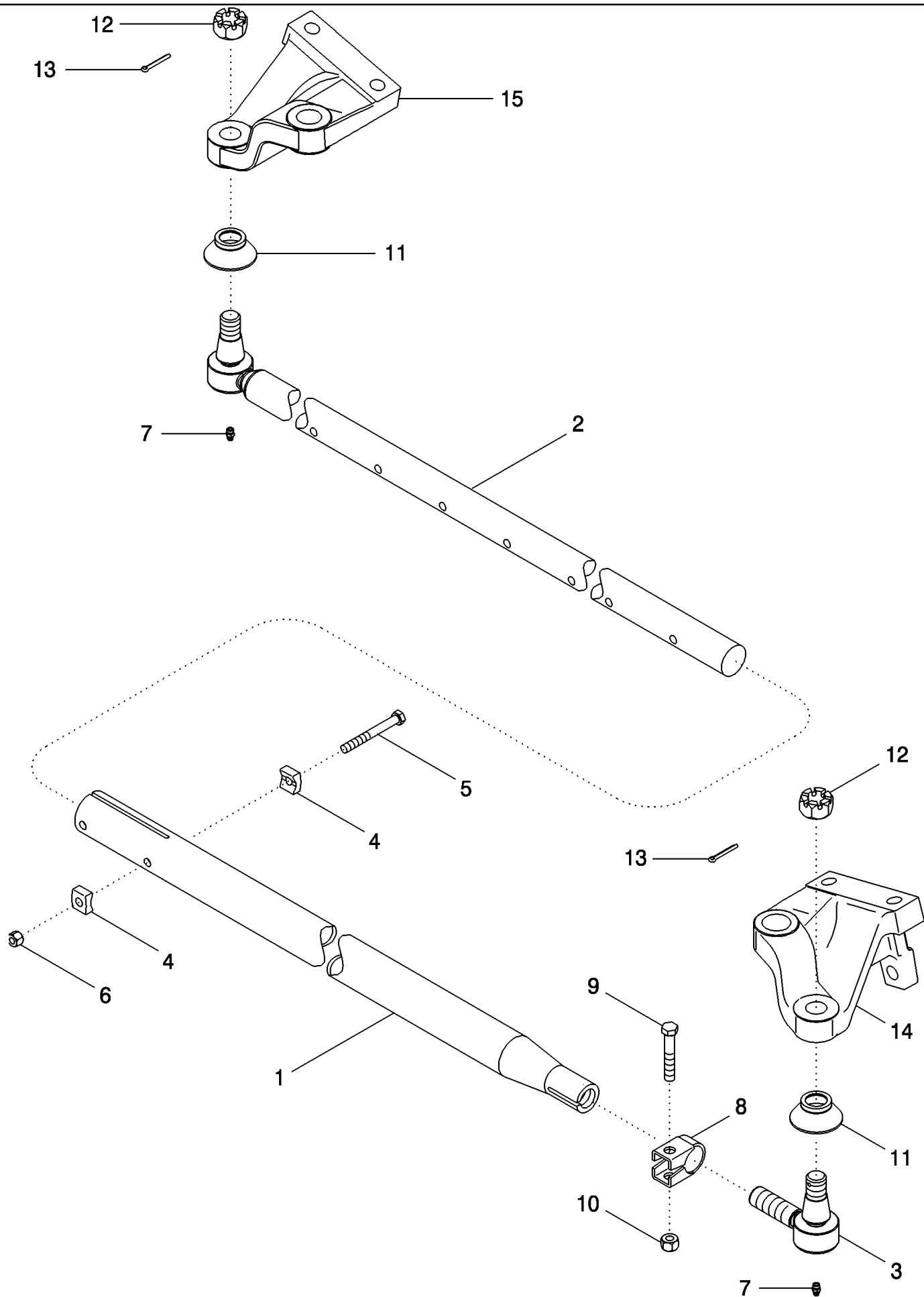


05-09 AXLE, ADJUSTABLE - TIE ROD, STEERING

Ref	Part Number	Qty	Description
	86984114	1	KIT, Tie Rod, Inc. 1 - 12
1	86984113	1	TIE ROD, Tube
2	86984111	1	TIE-ROD, STEERING,
3	86984112	1	BALL JOINT,
4	A145857	4	CLAMP, Washer
5	326-652	2	BOLT, Hex, 3/8"-16 x 3 1/4", G8,
6	232-4146	2	NUT, LOCK, 3/8"-16, GC,
7	219-8	2	NIPPLE, LUBE, 1/4"-28 NPT x .54" lg,
8	446308C91	1	CLAMP,
9	426-740	1	BOLT, Hex, 7/16"-14 x 2 1/2", G8,
10	231-4137	1	NUT, LOCK, 7/16"-14, GB,
11	87301010	2	BOOT, Seal Assy
12	425-1314	2	NUT, SLOTTED, 7/8"-14, G5,
13	432-824	2	PIN, SPLIT (COTTER), 1/8" x 1 1/2",
14	87545463	1	ARM, Right Hand
15	87545464	1	ARM, SUPPORTING, Left Hand

92 to 120 Inch Axle, Without Power Guide Axle

05-10 AXLE, ADJUSTABLE - TIE ROD, WITH DUAL STEERING CYLINDERS



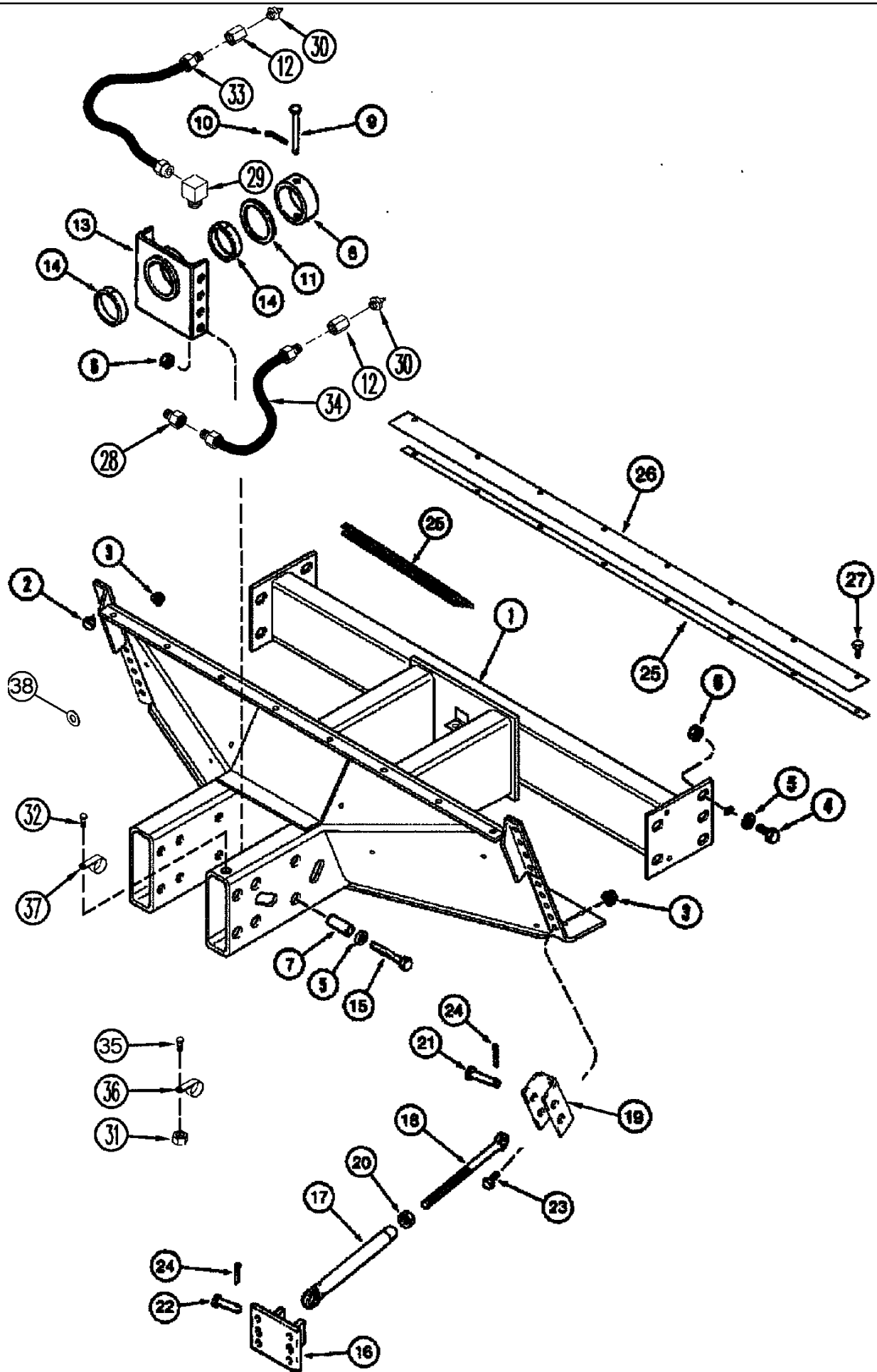
2388 CASE IH AXIAL-FLOW COMBINE (RU) ASN HAJ0300001 (10/06-)

05-10 AXLE, ADJUSTABLE - TIE ROD, WITH DUAL STEERING CYLINDERS

Ref	Part Number	Qty	Description
	87559673	1	LINK DRAG, Inc. 1 - 12
1	87559676	1	TUBE, Outer
2	87559678	1	TIE-ROD, THREADED, Inner
3	86984112	1	BALL JOINT,
4	A145857	4	CLAMP,
5	326-652	2	BOLT, Hex, 3/8"-16 x 3 1/4", G8,
6	232-4136	2	NUT, LOCK, 3/8"-16, GC,
7	219-8	2	NIPPLE, LUBE, 1/4"-28 NPT x .54" lg,
8	87599078	1	CLAMP,
9	426-740	1	BOLT, Hex, 7/16"-14 x 2 1/2", G8,
10	231-4137	1	NUT, LOCK, 7/16"-14, GB,
11	87301010	2	BOOT,
12	425-1314	2	NUT, SLOTTED, 7/8"-14, G5,
13	432-816	2	PIN, SPLIT (COTTER), 1/8" x 1",
14	87545463	1	ARM, Right Hand
15	87545464	1	ARM, SUPPORTING, Left Hand

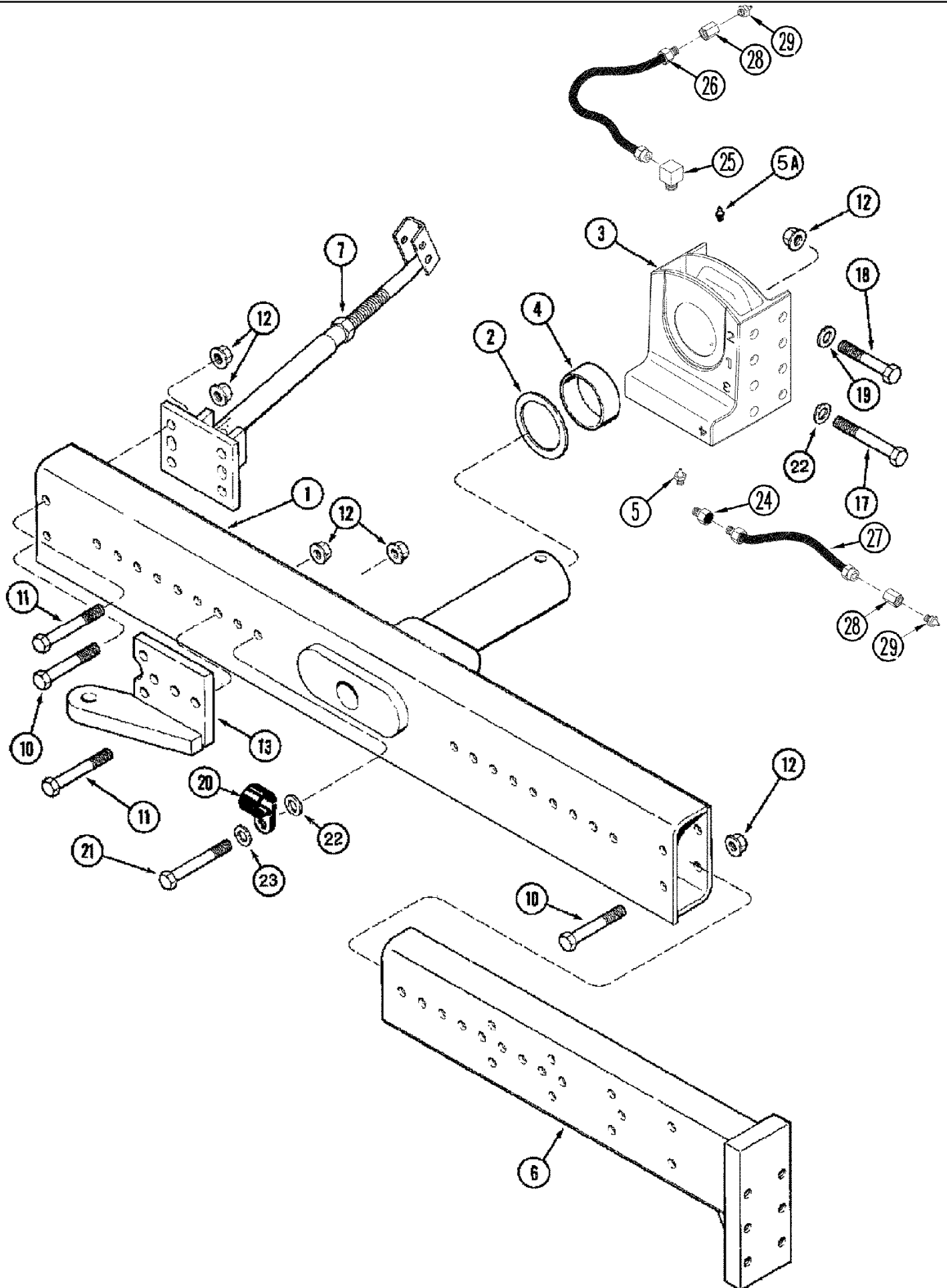
120 to 144 Inch Axle Without Power Guide Axle

05-11 AXLE, STEERING SUPPORT - POWER GUIDE AXLE



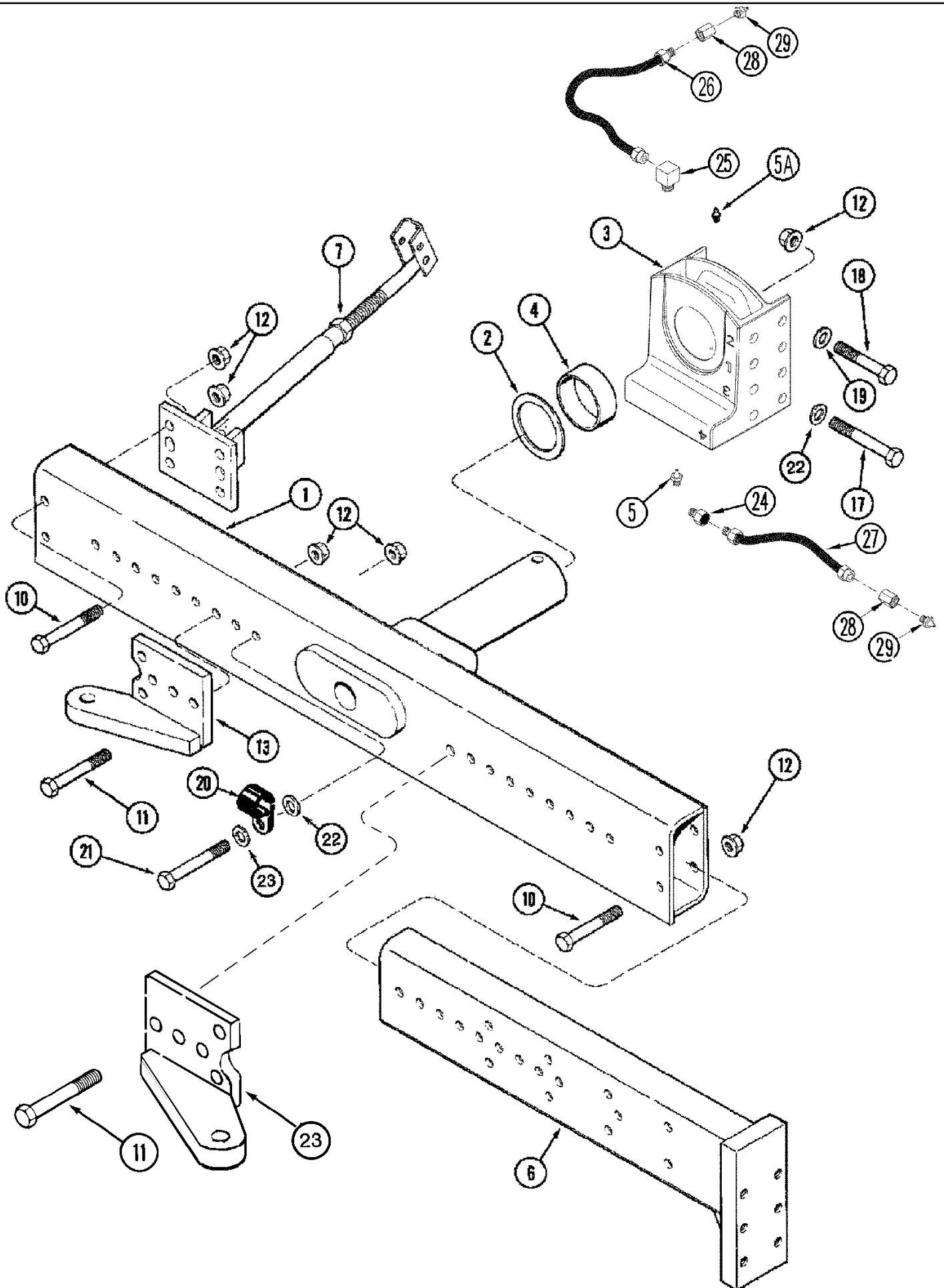
05-11 AXLE, STEERING SUPPORT - POWER GUIDE AXLE

Ref	Part Number	Qty	Description
1	87590281	1	SUPPORT, Steering Axle
2	426-816	12	BOLT, Hex, 1/2"-13 x 1", G8, Full Thd,
3	87301492	12	NUT, Flg, USR, 1/2"-13, G8, , BSN HAJ303001
3	232-41110	6	NUT, LOCK, 5/8"-11, GC, , ASN HAJ303001
4	426-1224	4	BOLT, Hex, 3/4"-10 x 1 1/2", G8,
5	496-21081	8	WASHER, 13/16" x 1 1/2" x .179", HDN,
6	87301494	8	NUT, Flg, USR, 3/4"-10, G8,
7	177748C1	12	SPACER, 13/16 x 1-1/4 x 2-13/16
8	182795C1	1	BUSHING, Axle Pivot
9	439-11288	1	PIN, HEADED, 3/4" x 5 1/2",
10	432-1620	1	PIN, SPLIT (COTTER), 1/4" x 1 1/4",
11	168385C2	AR	WASHER,
12	F53473	2	NUT, 1/8
13	182792C97	1	SUPPORT, Front, Inc. 14
14	182794C1	2	RING,
15	426-1272	4	BOLT, Hex, 3/4"-10 x 4 1/2", G8,
16	1970206C1	2	BRACKET,
17	181444C1	2	TIE-ROD,
18	181442C3	2	EYEBOLT,
19	1541603C1	2	SUPPORT, Front, BSN HAJ303001
19	87590286	2	BRACKET, Front, ASN HAJ303001
20	425-1016	2	NUT, 1"-8, G5,
21	439-11456	2	PIN, HEADED, 7/8" x 3 1/2",
22	439-11456	2	PIN, HEADED, 7/8" x 3 1/2",
23	426-824	6	BOLT, Hex, 1/2"-13 x 1 1/2", G8, Full Thd, , BSN HAJ303001
23	426-1028	6	BOLT, Hex, 5/8"-11 x 1 3/4", G8, Full Thd, , ASN HAJ303001
24	432-1620	AR	PIN, SPLIT (COTTER), 1/4" x 1 1/4",
25	316709A1	1	STRIP, Shoe Seal
26	316711A1	1	SEAL, Rubber, Shoe
27	477-73116	8	SCREW, Sltd Serr Truss Hd, 5/16"-18 x 1",
28	219-418	1	ADAPTER, 1/4"-1/8 NPTF, Hose
29	219-439	1	ADAPTER, 90e, 1/4"-1/8 NPTF, Hose
30	219-8	2	NIPPLE, LUBE, 1/4"-28 NPT x .54" lg,
31	231-5145	1	NUT, Flg, USR, 5/16"-18,
32	276-14912	1	SCREW, SELF TAPPING, Hex Hd, 3/8" x 3/4",
33	428293A1	1	HOSE, FLEXIBLE, Grease, 1091 mm (43 in)
34	431724A1	1	HOSE, FLEXIBLE, Grease, 1317 mm (52 in)
35	409-7512	1	BOLT, Hex Flg, 5/16"-18 x 3/4", Serr,
36	515-23254	1	CLAMP, 1", Insul, 3/8" Bolt,
37	515-23317	1	CLAMP, 1 1/4", Insul, 3/8" Bolt,
38	496-41066	7	WASHER, 21/32" x 1 1/2" x .188", HDN, , ASN HAJ303001



05-12 AXLE, STEERING - EXTENSIONS - POWER GUIDE AXLE - SINGLE STEERING CYLINDER

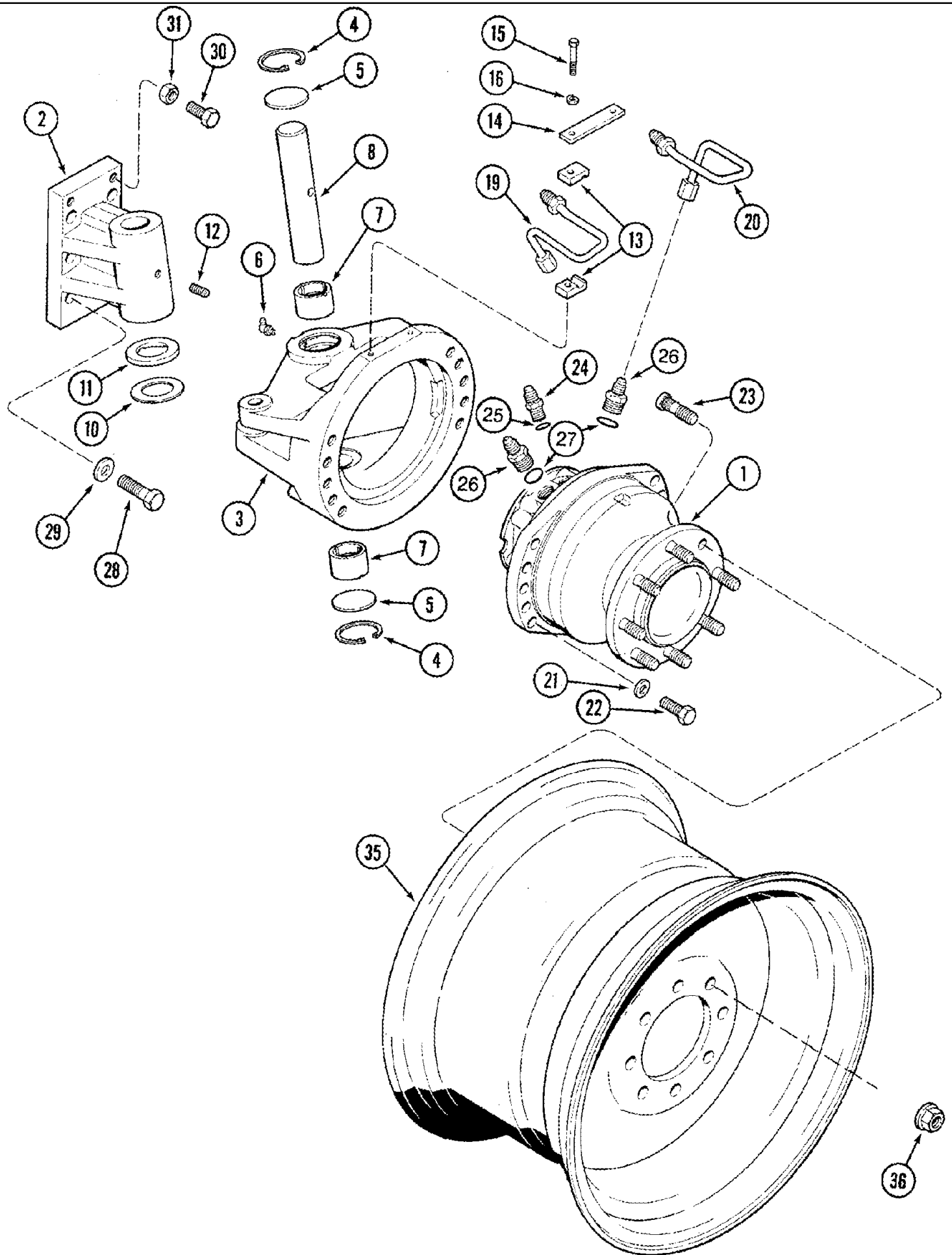
Ref	Part Number	Qty	Description
1	413204A1	1	AXLE, Adjustable, 108 to 144 Inch
2	168385C2	4	WASHER,
3	386235A2	1	SUPPORT, Axle Pivot, Inc. 4
4	177751C1	2	BUSHING,
5	219-8	2	NIPPLE, LUBE, 1/4"-28 NPT x .54" lg,
6	1968992C1	2	AXLE, 108 to 144 Inch
7	REF	2	INSTRUCTION, Support Assy, See Figure 05-11, REF 16-24
10	413-1280	11	BOLT, Hex, 3/4"-10 x 5", G5,
11	426-1288	4	BOLT, Hex, 3/4"-10 x 5 1/2", G8,
12	87301494	AR	NUT, Flg, USR, 3/4"-10, G8,
13	1968993C1	1	SUPPORT,
17	426-1288	3	BOLT, Hex, 3/4"-10 x 5 1/2", G8,
18	413-1272	6	BOLT, Hex, 3/4"-10 x 4 1/2", G5,
19	496-21081	5	WASHER, 13/16" x 1 1/2" x .179", HDN,
20	195618A1	1	CLAMP, 1-7/8 ID
21	426-1296	1	BOLT, Hex, 3/4"-10 x 6", G8,
22	396-41081	3	WASHER, 13/16" x 1 3/4" x .219", HDN,
23	495-11081	1	WASHER, 3/4", SAE,
24	219-418	1	ADAPTER, 1/4"-1/8 NPTF, Hose
25	219-439	1	ADAPTER, 90e, 1/4"-1/8 NPTF,
26	428285A1	1	HOSE, FLEXIBLE, Grease, 1186 mm (46-3/4 in)
27	428853A1	1	HOSE, FLEXIBLE, Grease, 1282 mm (50 in)
28	F53473	2	NUT, 1/8
29	219-8	2	NIPPLE, LUBE, 1/4"-28 NPT x .54" lg,



05-13 AXLE, STEERING - EXTENSIONS - POWER GUIDE AXLE - DUAL STEERING CYLINDER

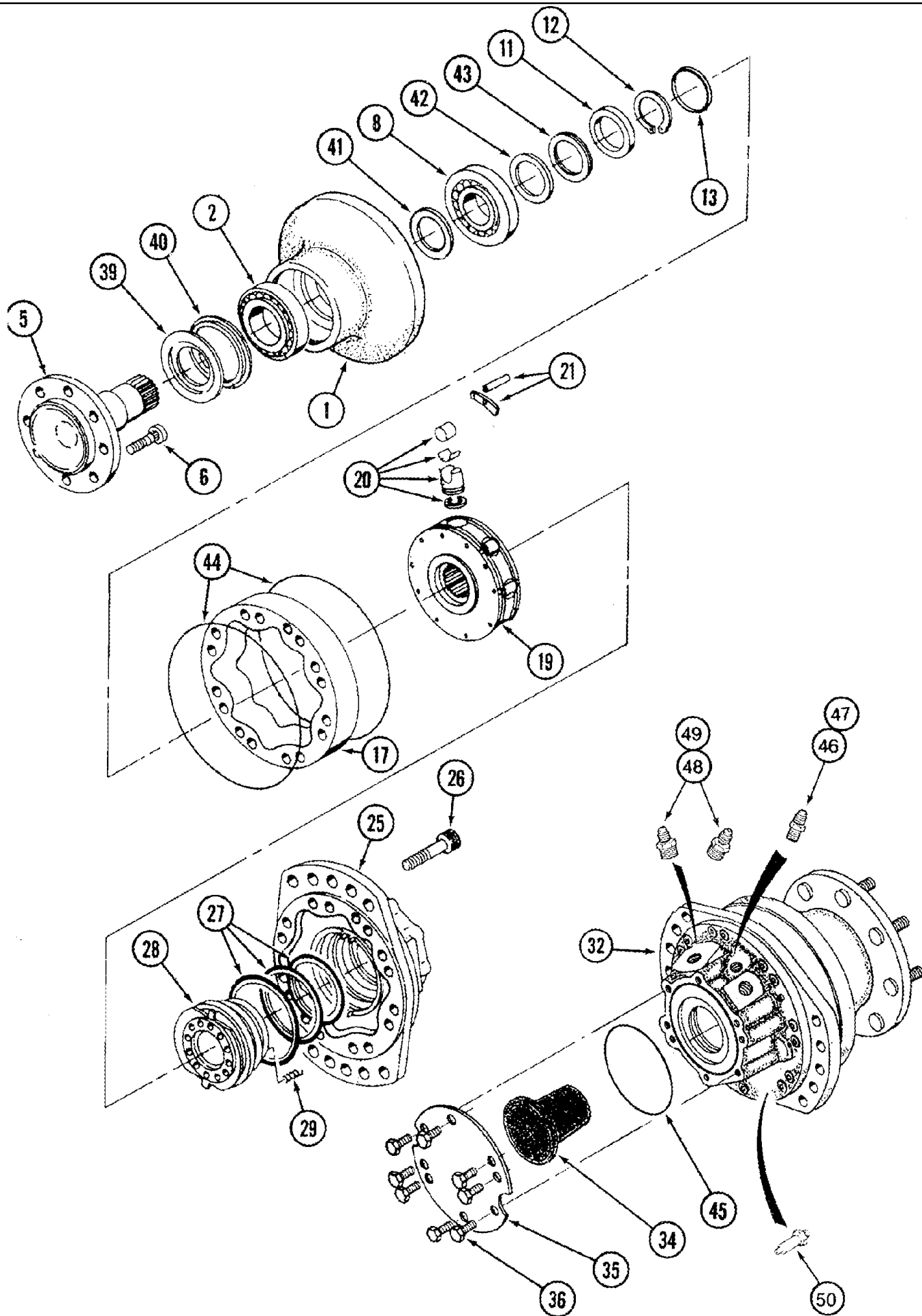
Ref	Part Number	Qty	Description
1	413205A1	1	AXLE, Adjustable, 108 to 144 Inch
2	168385C2	4	WASHER,
3	386235A2	1	SUPPORT, Axle Pivot, Inc. 4
4	177751C1	2	BUSHING,
5	219-93	2	NIPPLE, LUBE, 90 ϵ , 1/4" NPT x .75" lg, Drive,
5A	219-87	1	NIPPLE, LUBE, 1/4"-28 x .56" lg, Self-Tap,
6	1968992C1	2	AXLE, 108 to 144 Inch
7	REF	2	INSTRUCTION, Support Assy, See Figure 05-11, REF 16-24
10	413-1280	10	BOLT, Hex, 3/4"-10 x 5", G5,
11	426-1288	8	BOLT, Hex, 3/4"-10 x 5 1/2", G8,
12	87301494	AR	NUT, Flg, USR, 3/4"-10, G8,
13	1968993C1	1	SUPPORT,
17	426-1288	2	BOLT, Hex, 3/4"-10 x 5 1/2", G8,
18	413-1272	6	BOLT, Hex, 3/4"-10 x 4 1/2", G5,
19	496-21081	5	WASHER, 13/16" x 1 1/2" x .179", HDN,
20	406800A1	2	CLAMP,
21	426-1296	1	BOLT, Hex, 3/4"-10 x 6", G8,
22	396-41081	3	WASHER, 13/16" x 1 3/4" x .219", HDN,
23	398125A1	1	SUPPORT,
24	219-418	1	ADAPTER, 1/4"-1/8 NPTF, Hose
25	219-439	1	ADAPTER, 90 ϵ , 1/4"-1/8 NPTF,
26	428285A1	1	HOSE, FLEXIBLE, Grease, 1186 mm (46-3/4 in)
27	428853A1	1	HOSE, FLEXIBLE, Grease, 1282 mm (50 in)
28	F53473	2	NUT, 1/8
29	219-8	2	NIPPLE, LUBE, 1/4"-28 NPT x .54" lg,
30	236028A2	AR	SHIM, Shim, Axle, (Not Shown)

05-14 MOTOR, WHEEL - KING PIN - POWER GUIDE AXLE - AXLE DRIVE WHEEL



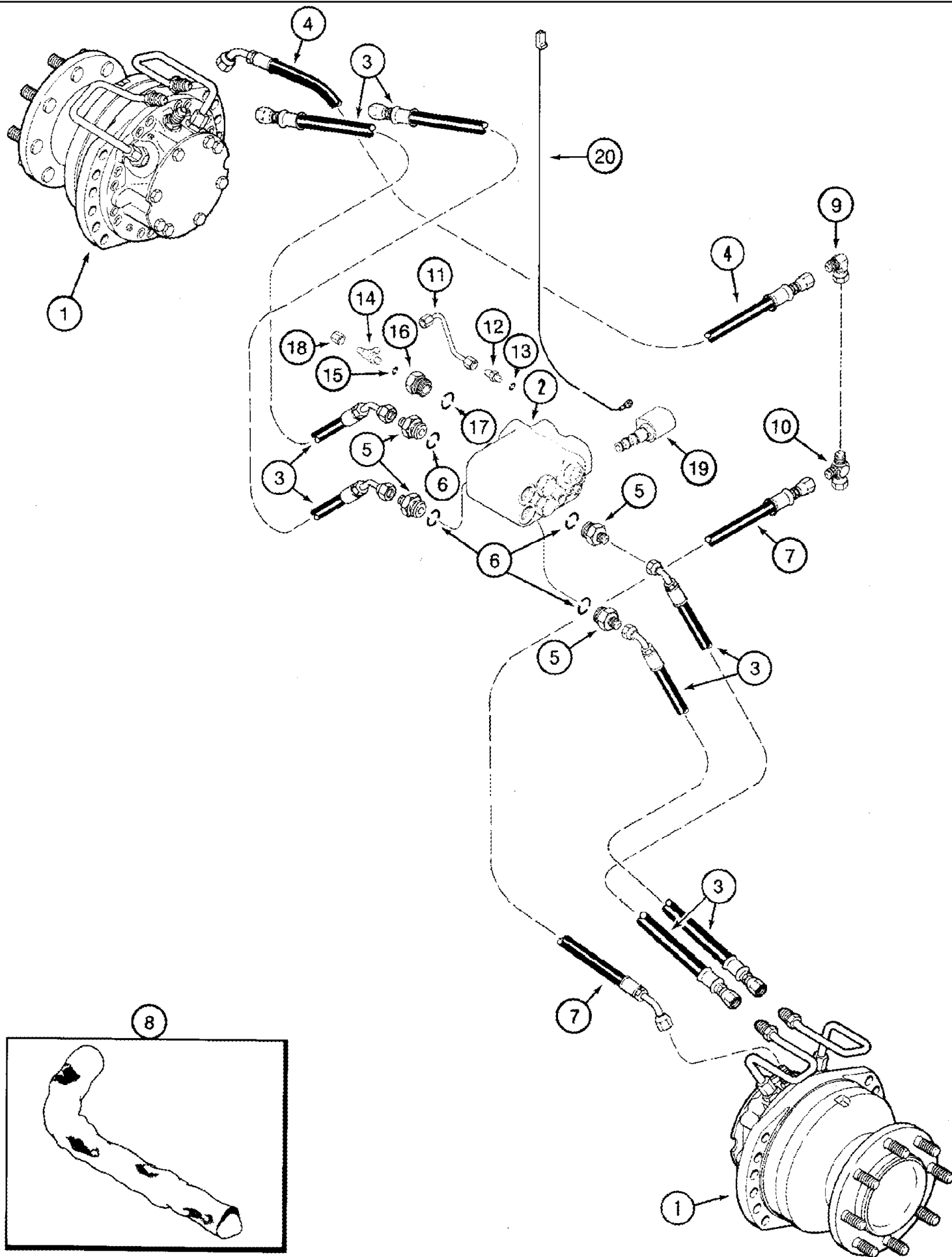
05-14 MOTOR, WHEEL - KING PIN - POWER GUIDE AXLE - AXLE DRIVE WHEEL

Ref	Part Number	Qty	Description
1	87300716	2	MOTOR, HYDRAULIC, Wheel Drive, See Figure 05-15, Corn and Grain Combine
2	1970138C1	2	HOUSING, King Pin
3	406799A1	1	FRAME, Right Hand, Inc. (2) 1970142C1, REF 7, Corn and Grain Combine
3	1970354C1	1	FRAME, Left Hand, Inc. (2) 1970142C1, REF 7, Corn and Grain Combine
4	100-21244	4	RING, SNAP, 2.44", Int, #244,
5	41-3040	4	PLUG, Exp, 2 1/2",
6	219-57	4	NIPPLE, LUBE, 90 ϵ , 1/4" NPT x .75" lg,
7	1970142C1	4	BUSHING,
8	1970143C1	2	PIN, King
10	1970381C1	1-2	WASHER, Steel
11	1970382C1	4	WASHER, Bronze
12	83-15020	2	SET SCREW, Hex Soc, 1/2"-13 x 1 1/4",
13	1970148C1	8	CLAMP, , Corn and Grain Combine
14	1970150C1	2	PLATE, , Corn and Grain Combine
15	326-532	4	BOLT, Hex, 5/16"-18 x 2", G8,
16	492-11031	4	WASHER, LOCK, 5/16",
19	1970146C1	2	TUBE, HYD, Pressure, Right Hand Rear, Left Hand Front, Corn and Grain Combine
20	1970147C1	2	TUBE, HYD, Pressure, Left Hand Rear, Right Hand Front, Corn and Grain Combine
21	496-21066	20	WASHER, 21/32" x 1 5/16" x .150", , Corn and Grain Combine, 92 - 120 Inch Power Guide Axle
22	426-1024	20	BOLT, Hex, 5/8"-11 x 1 1/2", G8, Full Thd, , 92 - 120 Inch Power Guide Axle, Corn and Grain Combine
23	1970151C1	16	STUD, Inc. With REF 1
24	218-5059	2	CONNECTOR, HYD., 3/4"-16, 37 ϵ x 3/4"-16, O-Ring, Inc. 25
25	237-6008	1	O-RING, 8-1, 90 Duro, .644" ID x .087" Thk,
26	218-5064	4	CONNECTOR, HYD., 1 1/16"-12, 37 ϵ x 1 1/16"-12, O-Ring, Inc. 27
27	237-6012	1	O-RING, 12-1, 90 Duro, .924 ID x .118" Thk,
28	326-1236	12	BOLT, Hex, 3/4"-10 x 2 1/4", G8,
29	496-21081	12	WASHER, 13/16" x 1 1/2" x .179", HDN,
30	326-1028	4	BOLT, Hex, 5/8"-11 x 1 3/4", G8, Full Thd,
31	329-1410	4	NUT, Jam, 5/8"-11, G8,
35	1970153C3	2	WHEEL, 26 x 15, For 16.9 x 26 and 18.4 x 26 Inch Tire, 8 Hole Pattern, Corn and Grain Combine
35	257875A2	2	WHEEL, 28 x 18, For 600/65-R28 Inch Tire, 8 Hole Pattern, Corn and Grain Combine
35	360213A1	2	WHEEL ASSY., 26 x 15, For 16.9 x 26 and 18.4 x 26 Inch Tire, 10 Hole Pattern
35	220201A1	2	RIM, 30 x 16, For 18.4 x 30 Inch Tire, 10 Hole Pattern
35	257878A2	2	RIM, 28 x 18, For 600/65R28 Inch Tire, 10 Hole Pattern
36	1541701C1	AR	NUT,
37	179482C1	2	VALVE STEM, Tire, (Not Shown)
38	407184C1	2	VALVE STEM, Core, Tire, (Not Shown)
39	359846A1	2	PLUG, Tire Valve Hole, (Not Shown)
40	181917A2	2	DECAL, Wheel Bolt Torque, See Figure 09H-20



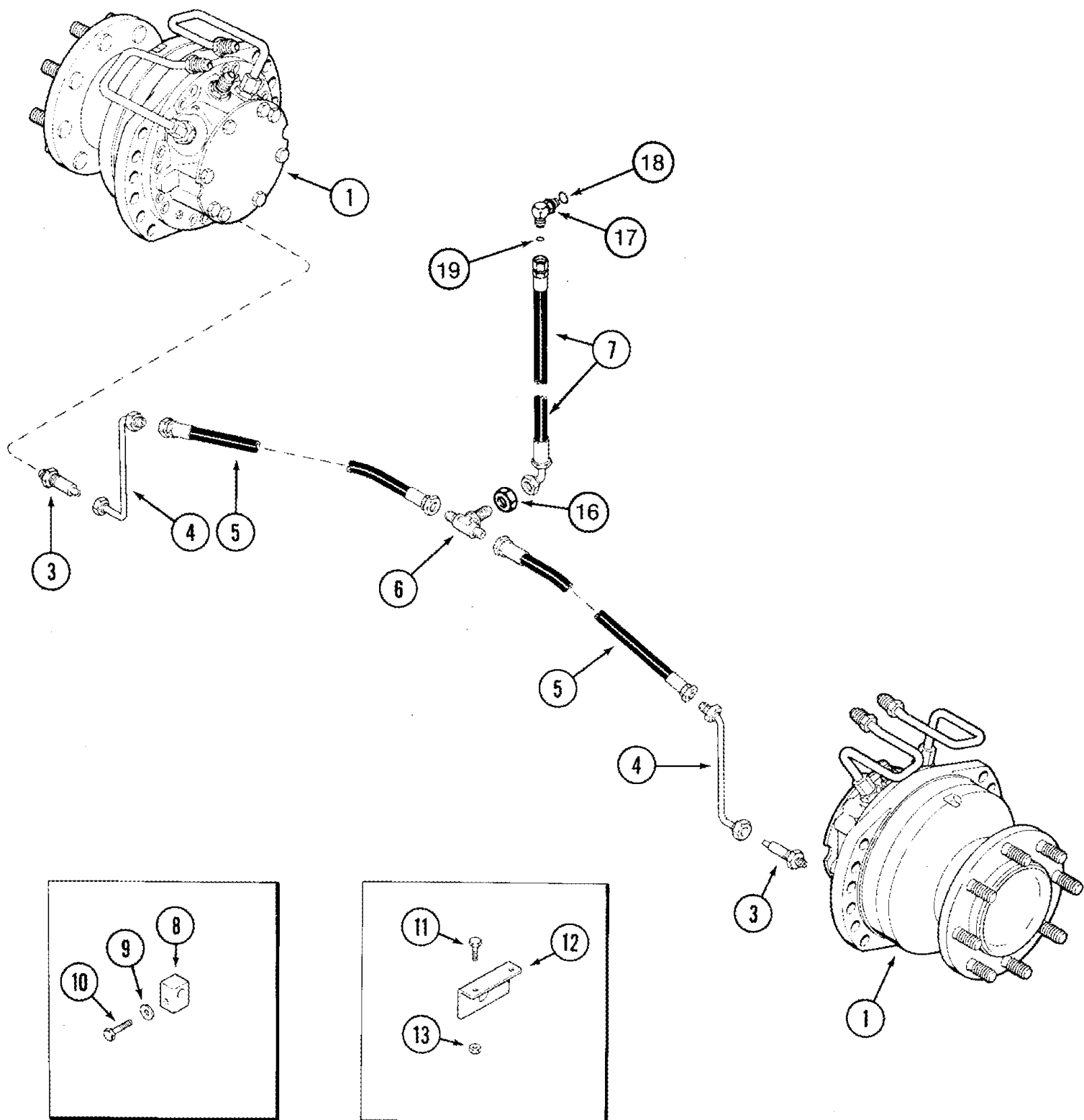
05-15 MOTOR ASSY - WHEEL DRIVE - POWER GUIDE AXLE - CORN AND GRAIN COMBINE

Ref	Part Number	Qty	Description
	87300716	2	MOTOR, HYDRAULIC, MOTOR Wheel Drive, Inc. 1 - 32, 35 - 50
1	NSS	1	NOT SERVICED SEPARATELY, Housing
2	305405A1	1	BEARING, BALL, Outer
5	NSS	1	NOT SERVICED SEPARATELY, Shaft, Wheel Hub
6	1970151C1	8	STUD,
8	NSS	1	NOT SERVICED SEPARATELY, Bearing, Ball, Inner
11	NSS	1	NOT SERVICED SEPARATELY, Spacer
12	NSS	1	NOT SERVICED SEPARATELY, Ring, Snap
13	NSS	1	NOT SERVICED SEPARATELY, Retainer
17	NSS	1	NOT SERVICED SEPARATELY, Ring
19	NSS	1	NOT SERVICED SEPARATELY, Block, Cylinder
20	NSS	10	NOT SERVICED SEPARATELY, Kit, Piston
21	NSS	1	NOT SERVICED SEPARATELY, Kit, Retainer
25	NSS	1	NOT SERVICED SEPARATELY, Cover
26	NSS	16	NOT SERVICED SEPARATELY, Bolt
27	1978004C1	1	KIT, SEALS, , Use with REF 28
28	NSS	1	NOT SERVICED SEPARATELY, Block, Valve
29	NSS	8	NOT SERVICED SEPARATELY, Spring
32	NSS	1	NOT SERVICED SEPARATELY, Housing, Wheel
34	1970394C2	1	DIAPHRAGM, No Longer Required
35	1978005C1	1	COVER,
36	NSS	8	NOT SERVICED SEPARATELY, Bolt, Cover
	87300718	1	KIT, SEALS, Inc. 39 - 44
39	NSS	1	NOT SERVICED SEPARATELY, Deflector
40	NSS	1	NOT SERVICED SEPARATELY, Seal
41	NSS	1	NOT SERVICED SEPARATELY, Seal
42	NSS	1	NOT SERVICED SEPARATELY, Washer
43	NSS	1	NOT SERVICED SEPARATELY, Kit
44	NSS	2	NOT SERVICED SEPARATELY, O-Ring
45	238-5162	1	O-RING, -162, 70 Duro, 5.737" ID x .103" Thk,
46	218-5059	1	CONNECTOR, HYD., 3/4"-16, 37e x 3/4"-16, O-Ring, Inc. 47
47	237-6008	1	O-RING, 8-1, 90 Duro, .644" ID x .087" Thk,
48	218-5064	2	CONNECTOR, HYD., 1 1/16"-12, 37e x 1 1/16"-12, O-Ring, Inc. 49
49	237-6012	1	O-RING, 12-1, 90 Duro, .924 ID x .118" Thk,
50	121434A1	1	ADAPTER, Flush Port, English Thread



05-16 HYDRAULICS - MOTOR, DRIVE - POWER GUIDE AXLE

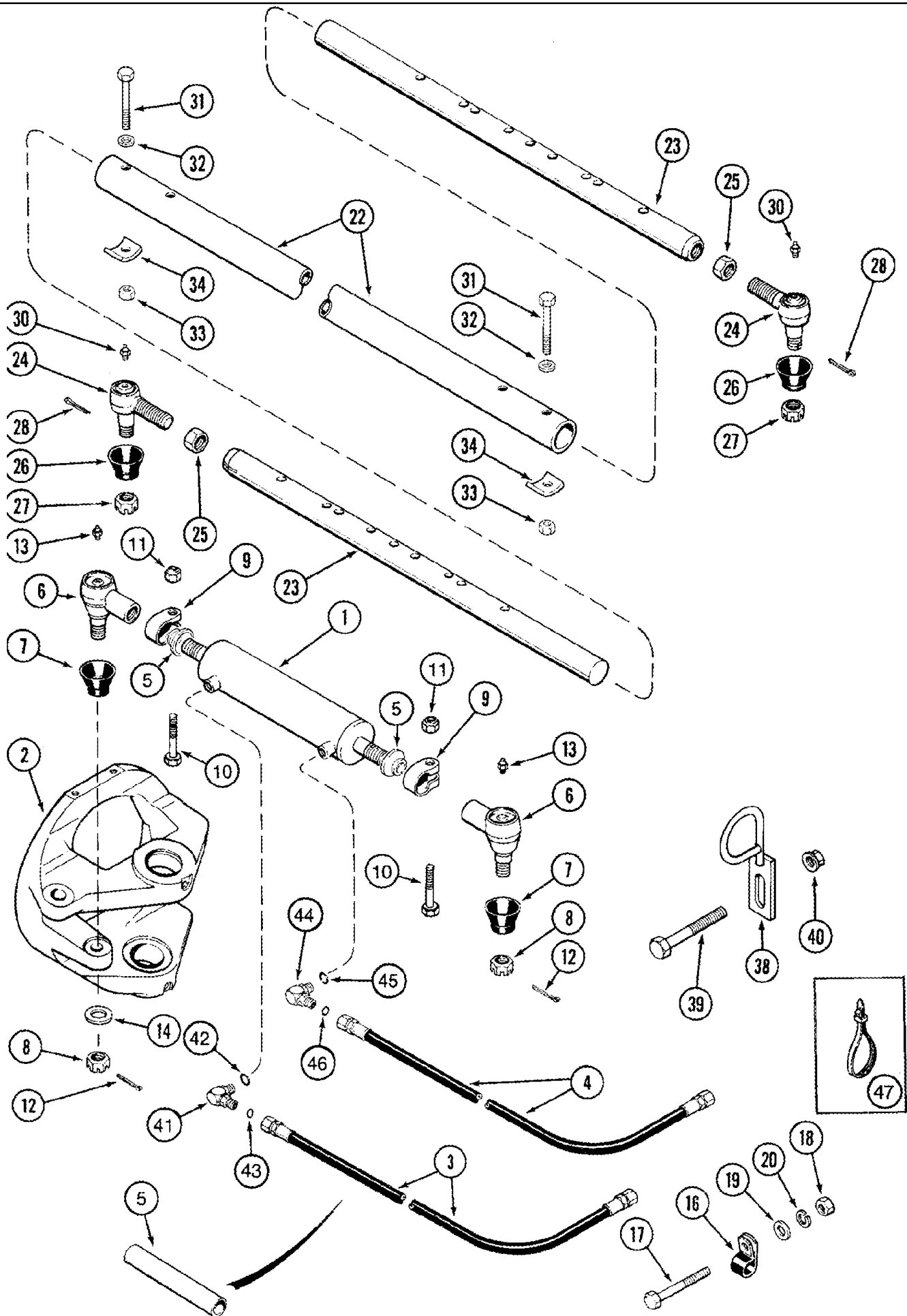
Ref	Part Number	Qty	Description
1	87300716	2	MOTOR, HYDRAULIC, Wheel Drive, See Figure 05-15
1	87300717	2	MOTOR, HYDRAULIC, Wheel Drive, See Figure 05-15, Rice Combine
2	1978000C1	1	VALVE, , Corn and Grain Combine, See Figure 05-23
3	1968995C1	4	HOSE, FLEXIBLE, 1753 mm (69-1/8 in), Wheel Motor Drain Pressure
4	1968996C1	1	HOSE, FLEXIBLE, 2007 mm (79-1/8 in), Wheel Motor Drain Pressure
5	218-5070	4	CONNECTOR, HYD., 3/4"-16, 37e x 1 1/16"-12, O-Ring, Inc. 6
6	237-6012	1	O-RING, 12-1, 90 Duro, .924 ID x .118" Thk,
7	1970135C1	1	HOSE, Drain
8	84800193	2	BEARING, NYLON, Sleeve 60 ID x 1219 mm
9	218-5230	1	ELBOW, 90e, 3/4"-16, 37e x 3/4"-16, 37e Fem Sw,
10	218-845	1	TEE, 37e, 3/4"-16 x 3/4"-16, Fem Sw Run,
11	1970140C1	1	TUBE, HYD, Charge Pressure
12	218-5053	1	CONNECTOR, HYD., 7/16"-20, 37e x 7/16"-20, O-Ring, Incl. 13
13	237-6004	1	O-RING, 4-1, 90 Duro, .351" ID x .072" Thk,
14	218-5289	1	TEE, 7/16"-20, 37e x 7/16"-20, O-Ring Run, Inc. 15
15	237-6004	1	O-RING, 4-1, 90 Duro, .351" ID x .072" Thk,
16	1970176C1	1	PLUG, Inc. 17, Inc. With 1978000C1, 1347194C1
17	237-6012	1	O-RING, 12-1, 90 Duro, .924 ID x .118" Thk,
18	218-752	1	CAP, 37e, 7/16"-20,
19	REF	1	INSTRUCTION, Solenoid Assy, Charge Pressure, See Figure 05-23, REF 60-64
20	1964572C2	1	HARNESS, WIRE, Solenoid



05-17 HYDRAULICS - WHEEL MOTOR FLUSH - POWER GUIDE AXLE

Ref	Part Number	Qty	Description
1	87300716	2	MOTOR, HYDRAULIC, Wheel Drive, Inc. 3, Corn and Grain Combine, Note: Motors do not include pressure tubes as shown in the illustration. See Figure 05-13 for pressure tubes, See Figure 05-15
3	121434A1	2	ADAPTER, English Thread, Flush Port
4	1346971C1	2	TUBE, HYD, Motor Flush, Corn and Grain Combine
4	1347181C1	2	TUBE, HYD, Motor Flush, Rice Combine
5	1346969C1	2	HOSE, FLEXIBLE, 1803 mm (71 in), Motor Flush
6	218-805	1	TEE, 3/4"-16, 37e, Blkhd,
7	129187A1	1	HOSE, FLEXIBLE, 3450 mm (135-7/8 in)
8	1347182C1	2	CLAMP, , Corn and Grain Combine
8	1347183C1	2	CLAMP, , Rice Combine
9	495-11053	2	WASHER, 1/2", SAE, , Corn and Grain Combine
9	495-11066	2	WASHER, 5/8", SAE, , Rice Combine
10	614-12040	2	BOLT, Hex, M12 x 40, 8.8, Full Thd, , Corn and Grain Combine
10	614-16040	2	BOLT, Hex, M16 x 40, 8.8, , Rice Combine
11	426-616	6	BOLT, Hex, 3/8"-16 x 1", G8, Full Thd,
12	1347068C1	1	SUPPORT,
13	232-4116	6	NUT, LOCK, 3/8"-16, GC,
16	218-1255	1	NUT, LOCK, Blkhd, 3/4"-16,
17	135485A1	1	ELBOW, Inc. 18, 19
18	237-6004	1	O-RING, 4-1, 90 Duro, .351" ID x .072" Thk,
19	238-6012	1	O-RING, -012, 90 Duro, .364" ID x .070" Thk,

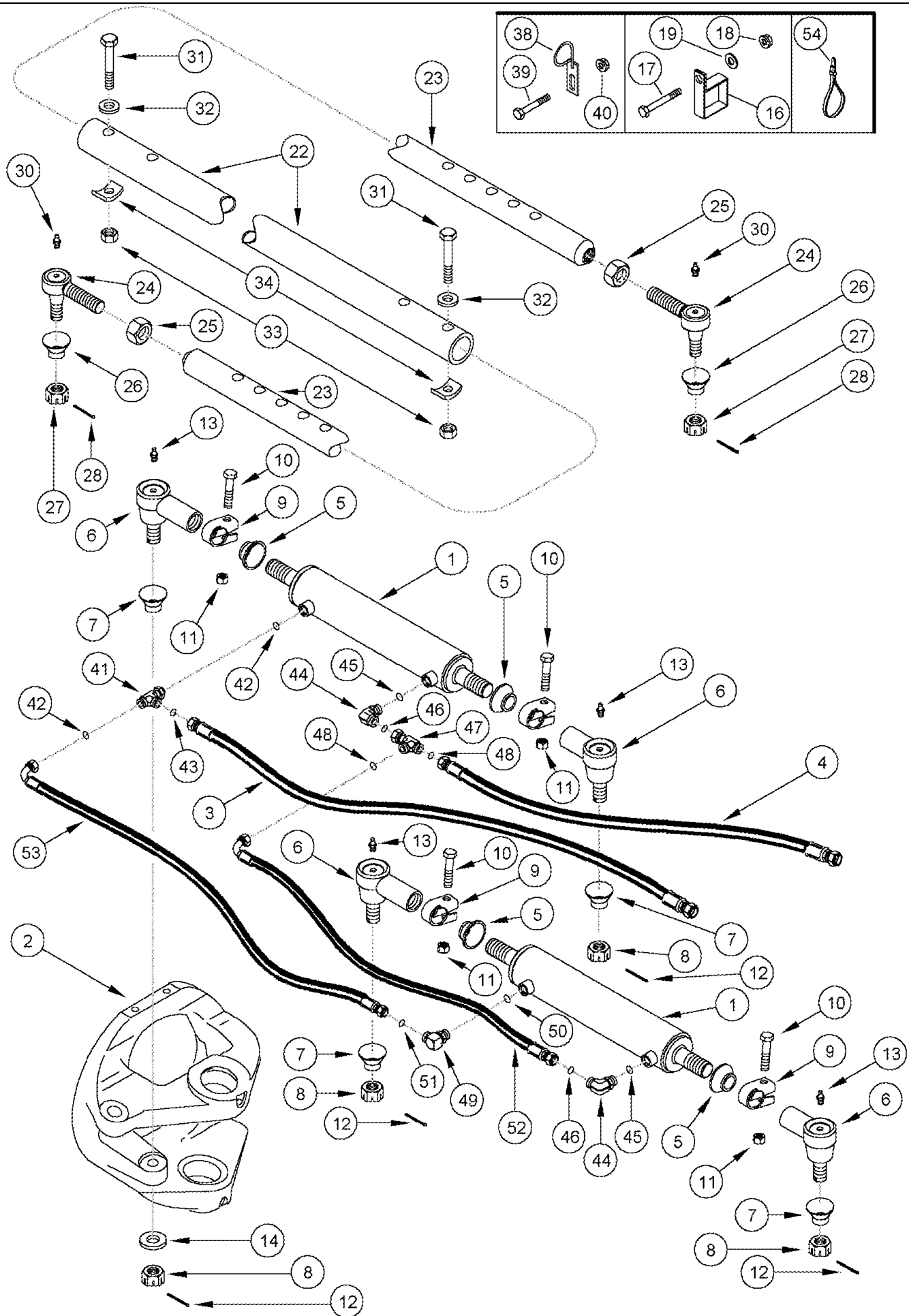
05-18 STEERING CYLINDER AND TIE ROD - POWER GUIDE AXLE - SINGLE STEERING CYLINDER



05-18 STEERING CYLINDER AND TIE ROD - POWER GUIDE AXLE - SINGLE STEERING CYLINDER

Ref	Part Number	Qty	Description
1	87337226	1	CYLINDER, 64 ID x 229 mm strk, See Figure 05-20
2	REF	2	INSTRUCTION, CARRIER, See Figure 05-13
3	87564463	1	HOSE ASSY., 2160 mm (85 in)
4	128084A2	1	HOSE, FLEXIBLE, 1960 mm (77-1/8 in)
5	229298A1	1	BOOT,
6	437222A1	2	BALL JOINT, Inc. 7 - 12, 13 (1)
7	87301009	1	BOOT,
8	425-1314	1	NUT, SLOTTED, 7/8"-14, G5,
9	446308C91	1	CLAMP, Inc. 10, 11
10	413-730	1	BOLT, Hex, 7/16"-14 x 1 7/8", G5,
11	231-4117	1	NUT, LOCK, 7/16"-14, GB,
12	432-816	1	PIN, SPLIT (COTTER), 1/8" x 1",
12	432-824	2	PIN, SPLIT (COTTER), 1/8" x 1 1/2",
13	219-8	2	NIPPLE, LUBE, 1/4"-28 NPT x .54" lg,
14	496-21094	1	WASHER, 15/16" x 1 3/4" x .179", HDN,
16	515-25476	1	CLAMP, 1 7/8", Insul, 1/2" Bolt,
17	413-572	1	BOLT, Hex, 5/16"-18 x 4 1/2", G5,
18	425-105	1	NUT, 5/16"-18, G5,
19	495-81116	1	WASHER, .344" x 1" x .060",
20	492-11031	1	WASHER, LOCK, 5/16",
22	1970102C1	1	TIE-ROD, STEERING, Tie Rod, Outer
23	1970103C1	2	TUBE, Tie Rod, Inner
24	1968998C1	2	BALL JOINT,
25	1970391C1	2	NUT, 1-1/8 NF
26	110373R1	2	DUST CAP,
27	425-1314	2	NUT, SLOTTED, 7/8"-14, G5,
28	432-816	2	PIN, SPLIT (COTTER), 1/8" x 1",
30	219-1	2	NIPPLE, LUBE, 1/8"-27 x .66 lg,
31	326-856	4	BOLT, Hex, 1/2"-13 x 3 1/2", G8,
32	1970104C1	4	SPACER,
33	232-4118	4	NUT, LOCK, 1/2"-13, GC,
34	1970101C1	4	CLAMP,
38	1970383C1	4	GUIDE, Hose
39	413-1280	4	BOLT, Hex, 3/4"-10 x 5", G5,
40	87301494	4	NUT, Flg, USR, 3/4"-10, G8,
41	201-304	1	ELBOW, 90e, 11/16"-16 x 9/16"-18 Adj, ORFS, Inc. 42, 43
42	237-6006	1	O-RING, 6-1, 90 Duro, .468" ID x .078" Thk,
43	238-6012	1	O-RING, -012, 90 Duro, .364" ID x .070" Thk,
44	201-332	1	ELBOW, 90e, 13/16"-16 x 9/16"-18, Adj, ORFS, Inc. 45, 46
45	237-6006	1	O-RING, 6-1, 90 Duro, .468" ID x .078" Thk,
46	238-6014	1	O-RING, -014, 90 Duro, .489" ID x .070" Thk,
47	L18331	1	STRAP, CABLE, 15" Tie

05-19 STEERING CYLINDER AND TIE ROD - POWER GUIDE AXLE - DUAL STEERING CYLINDER



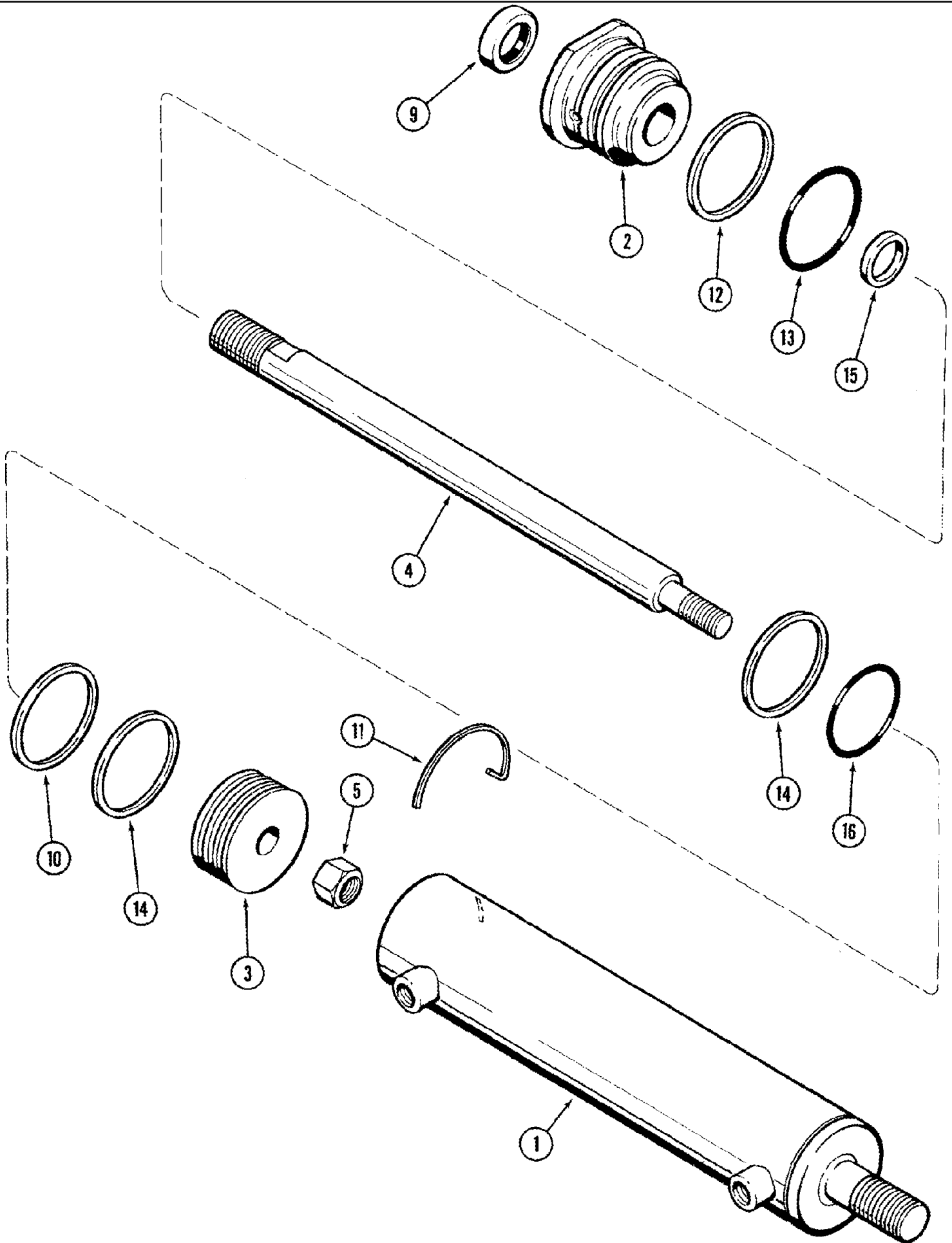
05-19 STEERING CYLINDER AND TIE ROD - POWER GUIDE AXLE - DUAL STEERING CYLINDER

Ref	Part Number	Qty	Description
1	87337229	2	CYLINDER, 57 ID x 229 mm strk, See Figure 05-21
2	REF	2	INSTRUCTION, Carrier, See Figure 05-13
3	87564463	1	HOSE ASSY., 2160 mm (85 in)
4	128084A2	1	HOSE, FLEXIBLE, 1960 mm (77-1/8 in)
5	229298A1	4	BOOT,
6	437222A1	4	BALL JOINT, Inc. 7 - 11
7	87301009	1	BOOT,
8	425-1314	1	NUT, SLOTTED, 7/8"-14, G5,
9	446308C91	1	CLAMP, Inc. 10, 11
10	413-730	1	BOLT, Hex, 7/16"-14 x 1 7/8", G5,
11	231-4117	1	NUT, LOCK, 7/16"-14, GB,
12	432-816	1	PIN, SPLIT (COTTER), 1/8" x 1",
12	432-824	4	PIN, SPLIT (COTTER), 1/8" x 1 1/2",
13	219-8	5	NIPPLE, LUBE, 1/4"-28 NPT x .54" lg,
14	496-21094	1	WASHER, 15/16" x 1 3/4" x .179", HDN,
16	406800A1	2	CLAMP,
17	426-1288	2	BOLT, Hex, 3/4"-10 x 5 1/2", G8,
18	87301494	2	NUT, Flg, USR, 3/4"-10, G8,
19	396-41081	2	WASHER, 13/16" x 1 3/4" x .219", HDN,
22	1970102C1	1	TIE-ROD, STEERING, Tie Rod, Outer
23	1970103C1	2	TUBE, Tie Rod, Inner
24	1968998C1	2	BALL JOINT,
25	1970391C1	2	NUT, 1-1/8 NF
26	110373R1	2	DUST CAP,
27	425-1314	2	NUT, SLOTTED, 7/8"-14, G5,
28	432-816	4	PIN, SPLIT (COTTER), 1/8" x 1",
30	219-1	4	NIPPLE, LUBE, 1/8"-27 x .66 lg,
31	326-856	4	BOLT, Hex, 1/2"-13 x 3 1/2", G8,
32	1970104C1	4	SPACER,
33	232-4118	4	NUT, LOCK, 1/2"-13, GC,
34	1970101C1	4	CLAMP,
38	1970383C1	4	GUIDE, Hose
39	413-1280	2	BOLT, Hex, 3/4"-10 x 5", G5,
39	413-1272	2	BOLT, Hex, 3/4"-10 x 4 1/2", G5,
40	87301494	4	NUT, Flg, USR, 3/4"-10, G8,
41	201-406	1	TEE, 11/16"-16 x 9/16"-18 Run, ORFS, Inc. 42, 43
42	237-6006	2	O-RING, 6-1, 90 Duro, .468" ID x .078" Thk,
43	238-6012	1	O-RING, -012, 90 Duro, .364" ID x .070" Thk,
44	201-332	2	ELBOW, 90e, 13/16"-16 x 9/16"-18, Adj, ORFS, Inc. 45, 46
45	237-6006	1	O-RING, 6-1, 90 Duro, .468" ID x .078" Thk,
46	238-6014	1	O-RING, -014, 90 Duro, .489" ID x .070" Thk,
47	201-416	1	TEE, 13/16"-16 ORFS x 13/16"-16 Sw Run, Inc. 48
48	238-6014	2	O-RING, -014, 90 Duro, .489" ID x .070" Thk,

05-19 STEERING CYLINDER AND TIE ROD - POWER GUIDE AXLE - DUAL STEERING CYLINDER

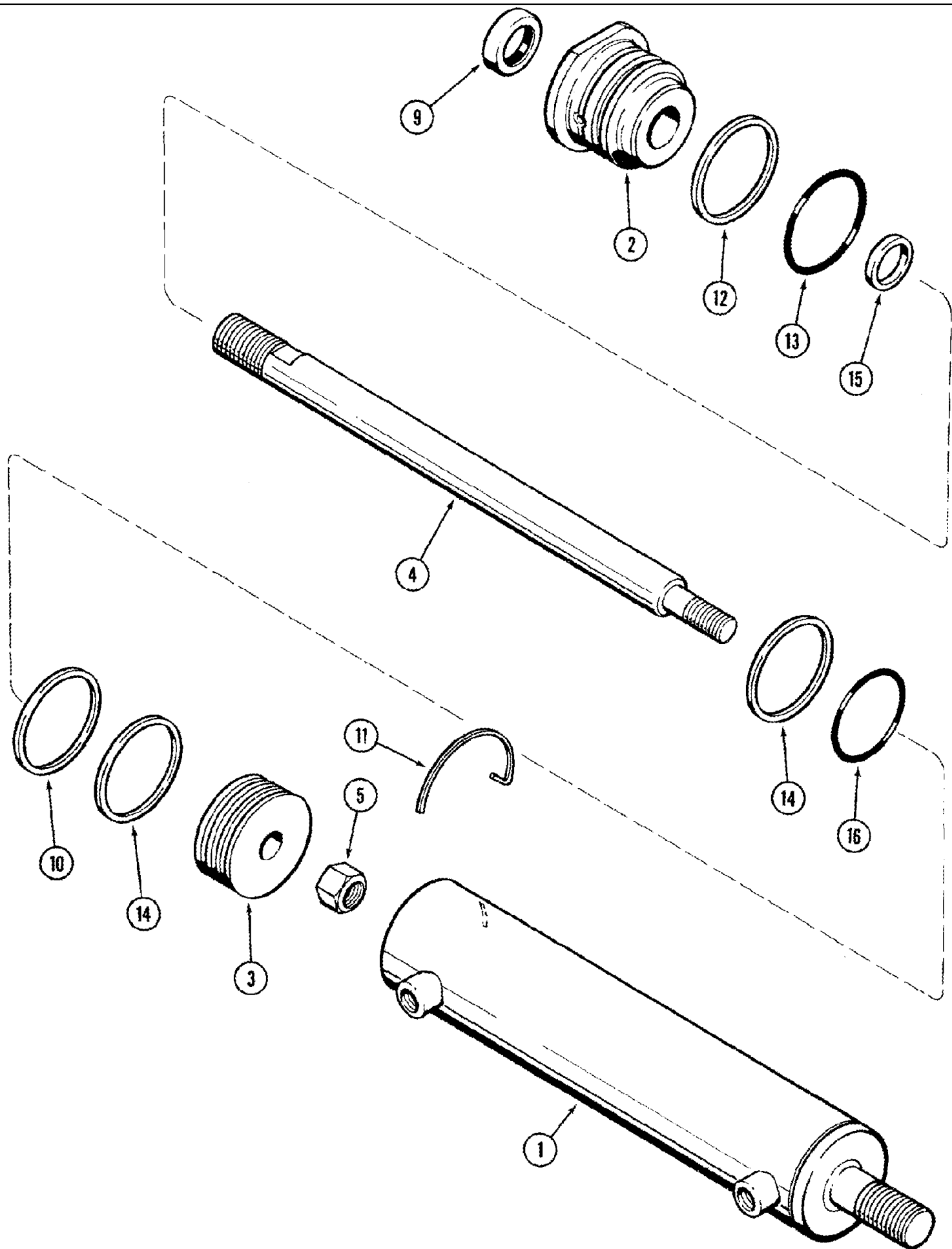
Ref	Part Number	Qty	Description
49	201-304	1	ELBOW, 90e, 11/16"-16 x 9/16"-18 Adj, ORFS, Inc. 45, 51
50	237-6006	1	O-RING, 6-1, 90 Duro, .468" ID x .078" Thk,
51	238-6012	1	O-RING, -012, 90 Duro, .364" ID x .070" Thk,
52	87555149	1	HOSE ASSY., 1670 mm (65-3/4 in)
53	87555150	1	HOSE ASSY., 1740 mm (68-1/2 in)
54	L18331	2	STRAP, CABLE, 15 in

05-20 CYLINDER ASSY - STEERING



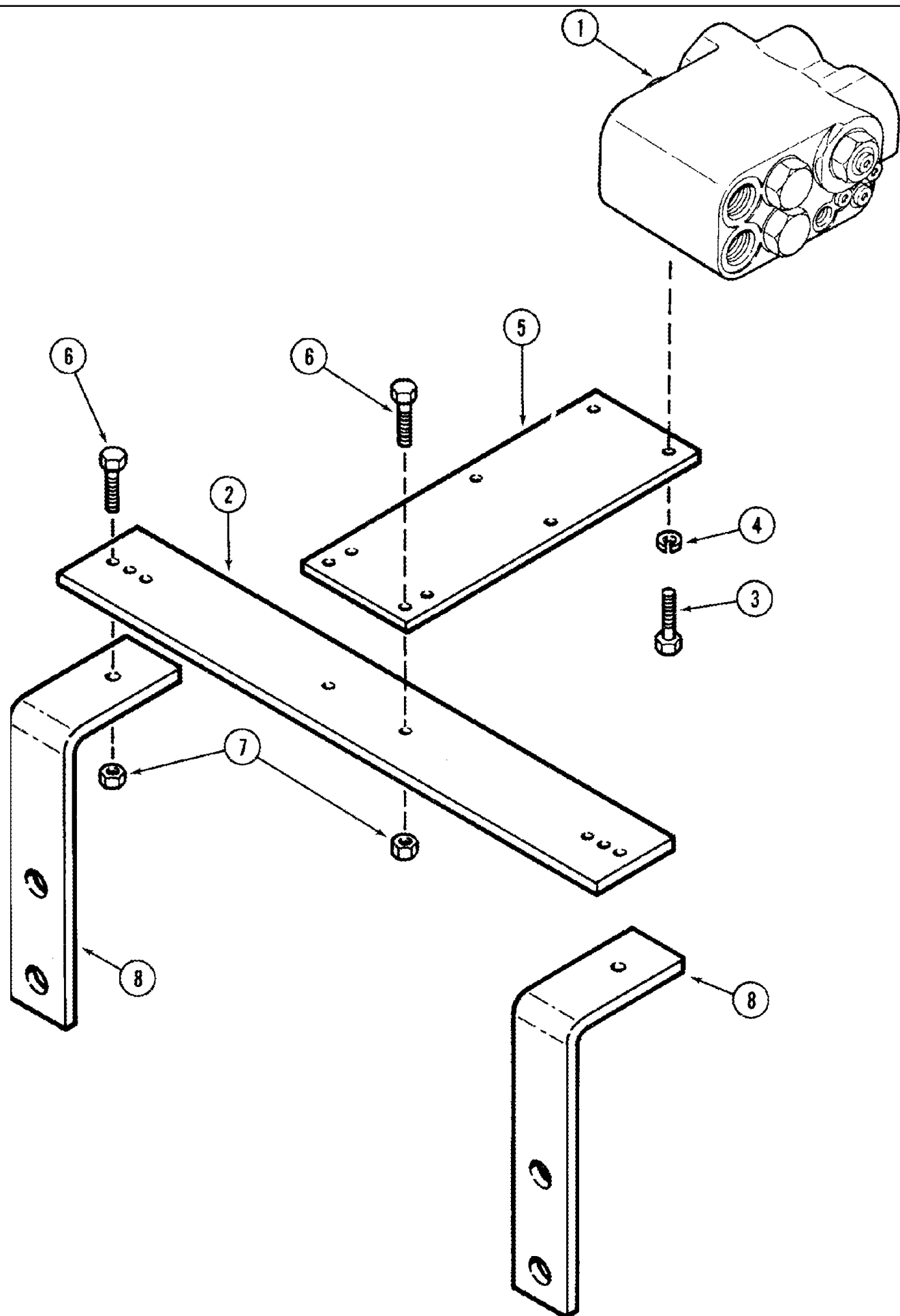
05-20 CYLINDER ASSY - STEERING

Ref	Part Number	Qty	Description
	87337226	1	CYLINDER, Inc. 1 - 16
1	NSS	1	NOT SERVICED SEPARATELY, Body
2	NSS	1	NOT SERVICED SEPARATELY, Head
3	NSS	1	NOT SERVICED SEPARATELY, Piston
4	NSS	1	NOT SERVICED SEPARATELY, Rod
5	NSS	1	NOT SERVICED SEPARATELY, Nut
	87364276	1	KIT, SERVICE, Inc. 9 - 16
9	NSS	1	NOT SERVICED SEPARATELY, Wiper
10	NSS	1	NOT SERVICED SEPARATELY, Ring
11	NSS	1	NOT SERVICED SEPARATELY, Locking Device
12	NSS	1	NOT SERVICED SEPARATELY, Ring
13	NSS	1	NOT SERVICED SEPARATELY, O-Ring
14	NSS	2	NOT SERVICED SEPARATELY, Gasket
15	NSS	1	NOT SERVICED SEPARATELY, Seal
16	NSS	1	NOT SERVICED SEPARATELY, O-Ring



05-21 CYLINDER ASSY - STEERING - POWER GUIDE AXLE- 12 ROW READY

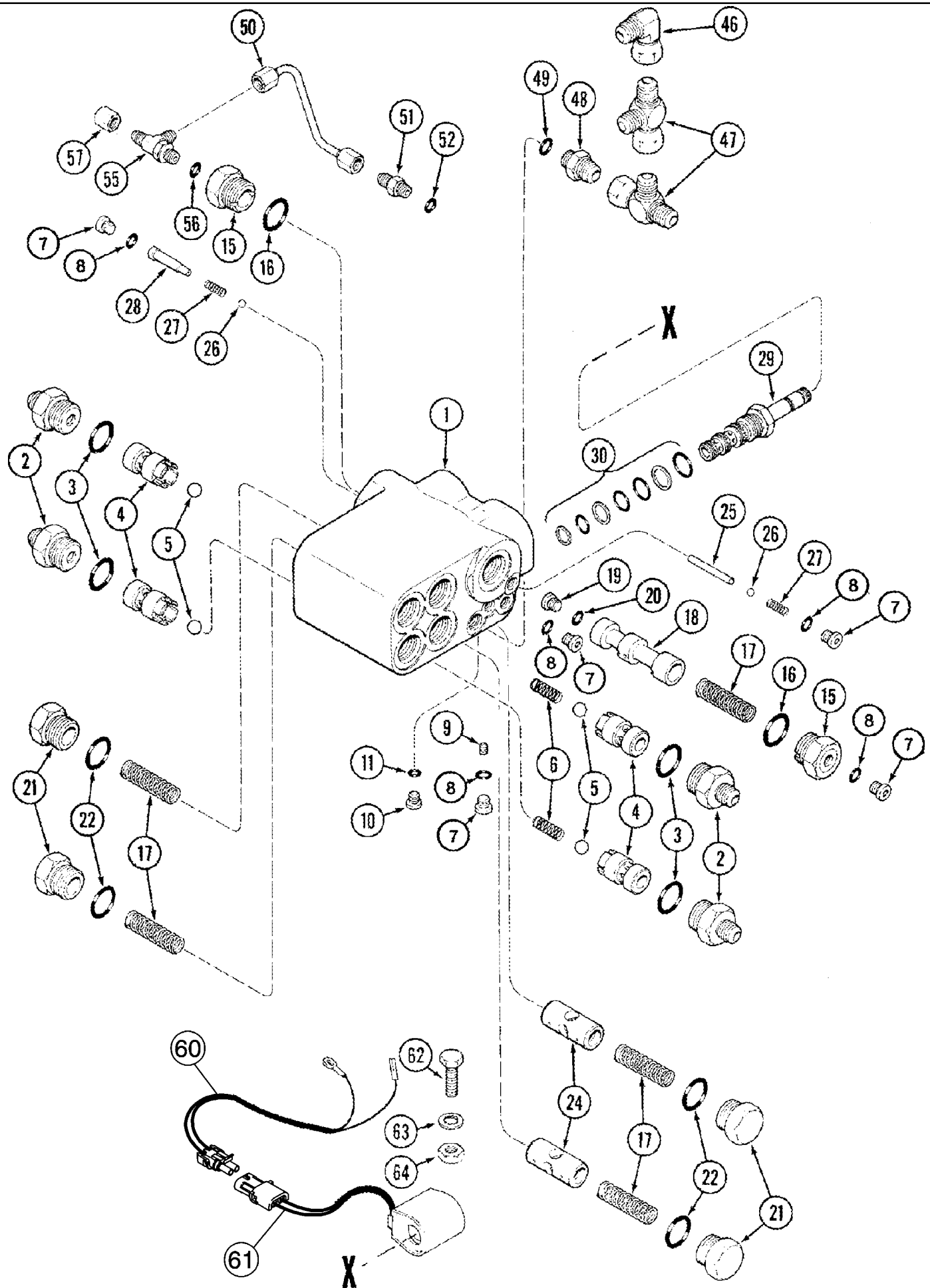
Ref	Part Number	Qty	Description
	87337229	1	CYLINDER, 57 ID x 229 mm strk, Inc. 1 - 16
1	NSS	1	NOT SERVICED SEPARATELY, Body
2	NSS	1	NOT SERVICED SEPARATELY, Gland
3	NSS	1	NOT SERVICED SEPARATELY, Piston
4	NSS	1	NOT SERVICED SEPARATELY, Rod
5	NSS	1	NOT SERVICED SEPARATELY, Nut
	87364302	1	KIT, SEALS, Inc. 9 - 16
9	NSS	1	NOT SERVICED SEPARATELY, Wiper
10	NSS	1	NOT SERVICED SEPARATELY, Ring
11	NSS	1	NOT SERVICED SEPARATELY, Wire, Retaining
12	NSS	1	NOT SERVICED SEPARATELY, Washer, Ring, Backup
13	NSS	1	NOT SERVICED SEPARATELY, O-Ring
14	NSS	2	NOT SERVICED SEPARATELY, Ring, Backup
15	NSS	1	NOT SERVICED SEPARATELY, Seal
16	NSS	1	NOT SERVICED SEPARATELY, O-Ring



2388 CASE IH AXIAL-FLOW COMBINE (RU) ASN HAJ0300001 (10/06-)

05-22 VALVE, SELECTOR CONTROL - MOUNTING - POWER GUIDE AXLE

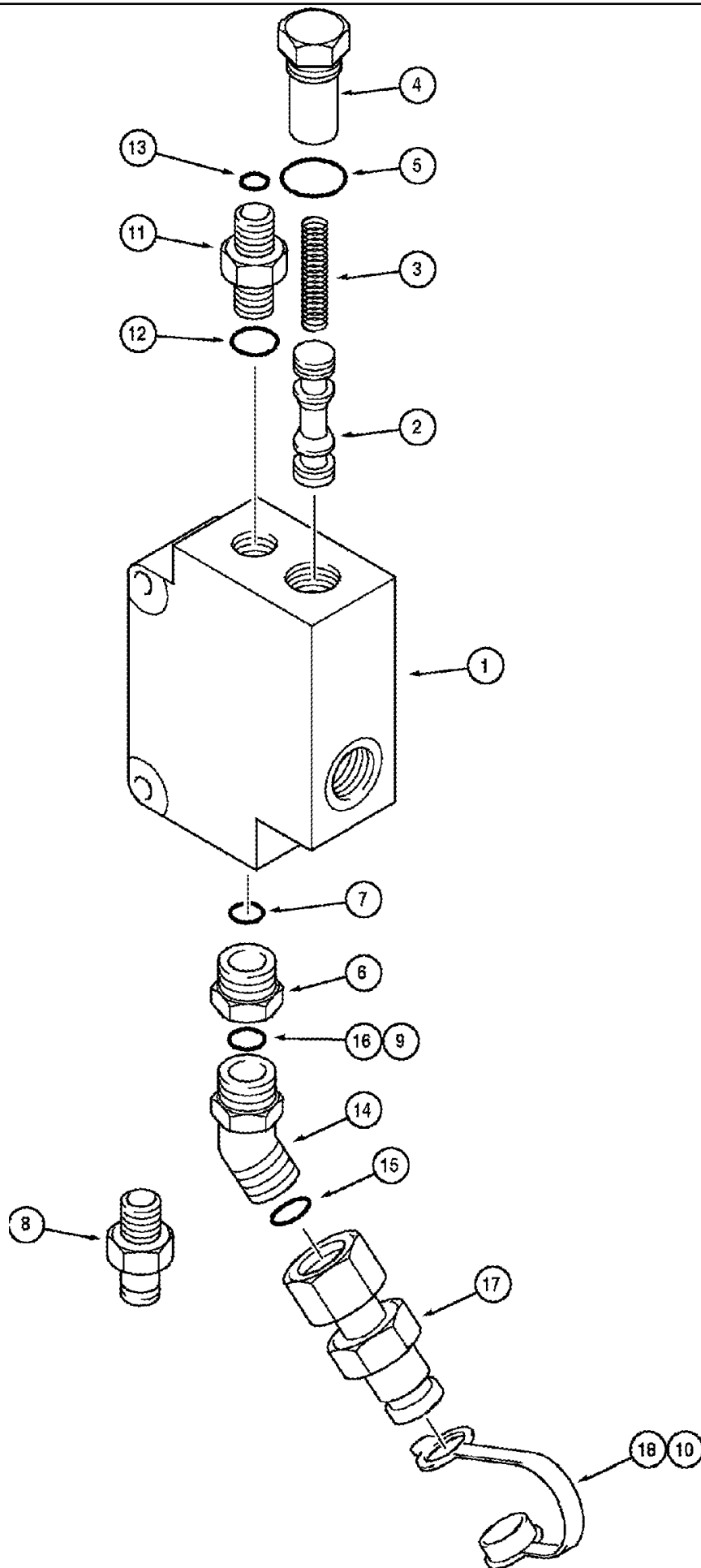
Ref	Part Number	Qty	Description
1	REF	1	INSTRUCTION, Valve, Control, See Figure(s) 05-24, 05-25
2	1324455C2	1	PLATE,
3	426-624	2	BOLT, Hex, 3/8"-16 x 1 1/2", G8,
4	492-11038	2	WASHER, LOCK, 3/8",
5	1324454C4	1	PLATE,
6	426-616	4	BOLT, Hex, 3/8"-16 x 1", G8, Full Thd,
7	232-4116	4	NUT, LOCK, 3/8"-16, GC,
8	1324471C1	2	BRACKET,



05-23 VALVE, SELECTOR CONTROL - POWER GUIDE AXLE - CORN AND GRAIN COMBINE

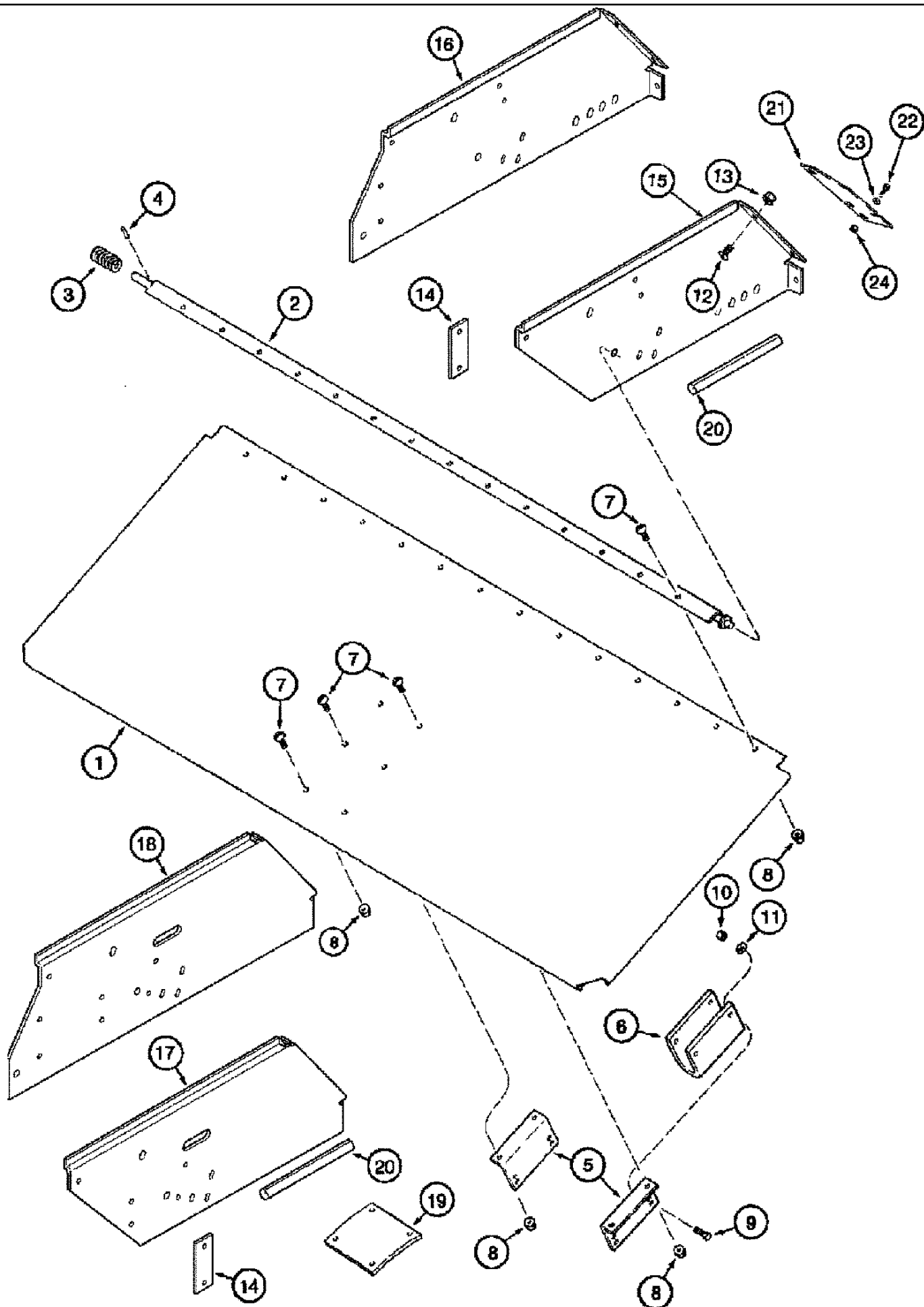
Ref	Part Number	Qty	Description
	1978000C1	1	VALVE, Selector, Rear Wheel Assist, Inc. 1 - 30, 60 - 64
1	NSS	1	NOT SERVICED SEPARATELY, Body, Order 1978000C1
2	218-5070	4	CONNECTOR, HYD., 3/4"-16, 37e x 1 1/16"-12, O-Ring, Inc. 3
3	237-6012	1	O-RING, 12-1, 90 Duro, .924 ID x .118" Thk,
4	NSS	4	NOT SERVICED SEPARATELY, Seat, Check Ball
5	NSS	4	NOT SERVICED SEPARATELY, 9/16 in dia, Ball, Check
6	NSS	2	NOT SERVICED SEPARATELY, Spring, Check, Reverse
7	278548	6	PLUG, Hex Soc, 7/16"-20 ORB, Incl. 8
8	237-6004	1	O-RING, 4-1, 90 Duro, .351" ID x .072" Thk,
9	NSS	1	NOT SERVICED SEPARATELY, Orifice
10	218-5151	1	PLUG, Hex Hd, 5/16"-24 ORB, Inc. 11
11	237-6002	1	O-RING, 2-1, .239" ID x .064" Thk,
15	1970176C1	2	PLUG,
16	237-6012	2	O-RING, 12-1, 90 Duro, .924 ID x .118" Thk,
17	NSS	5	NOT SERVICED SEPARATELY, Spring, Flow Divider and Selector Spool
18	NSS	1	NOT SERVICED SEPARATELY, Spool, Selector
19	NSS	1	NOT SERVICED SEPARATELY, Plug
20	237-6004	1	O-RING, 4-1, 90 Duro, .351" ID x .072" Thk,
21	1979118C1	4	PLUG,
22	237-6012	4	O-RING, 12-1, 90 Duro, .924 ID x .118" Thk,
24	NSS	2	NOT SERVICED SEPARATELY, Spool, Flow Divider
25	NSS	1	NOT SERVICED SEPARATELY, Pin, Dowel
26	211-1010	2	BALL, 5/16" Dia, 24,CRS
27	NSS	2	NOT SERVICED SEPARATELY, Spring, Shuttle, Low Priority
28	NSS	1	NOT SERVICED SEPARATELY, Spacer
29	187849C1	1	VALVE, SOLENOID, 4-Way, Cartridge Only, Inc. 30
30	187850C1	1	KIT, SEALS,
46	218-5230	1	ELBOW, 90e, 3/4"-16, 37e x 3/4"-16, 37e Fem Sw,
47	218-845	2	TEE, 37e, 3/4"-16 x 3/4"-16, Fem Sw Run,
48	218-5351	1	CONNECTOR, HYD., 3/4"-16, 37e x 9/16"-18, O-Ring, Inc. 49
49	237-6006	1	O-RING, 6-1, 90 Duro, .468" ID x .078" Thk,
50	1970140C1	1	TUBE, HYD, Charge Pressure
51	218-5053	1	CONNECTOR, HYD., 7/16"-20, 37e x 7/16"-20, O-Ring, Inc. 52
52	237-6004	1	O-RING, 4-1, 90 Duro, .351" ID x .072" Thk,
55	218-5289	1	TEE, 7/16"-20, 37e x 7/16"-20, O-Ring Run, Inc. 56
56	237-6004	1	O-RING, 4-1, 90 Duro, .351" ID x .072" Thk,
57	218-752	1	CAP, 37e, 7/16"-20,
60	87306083	1	CABLE, Power Guide Axle
61	1340843C1	1	COIL, 12 V, Two Wire,
62	413-616	1	BOLT, Hex, 3/8"-16 x 1", G5, Full Thd,
63	493-11039	1	WASHER, LOCK, 3/8", Int-Ext Tooth,
64	425-106	1	NUT, 3/8"-16, G5,

05-24 VALVE ASSY - STEERING PRIORITY



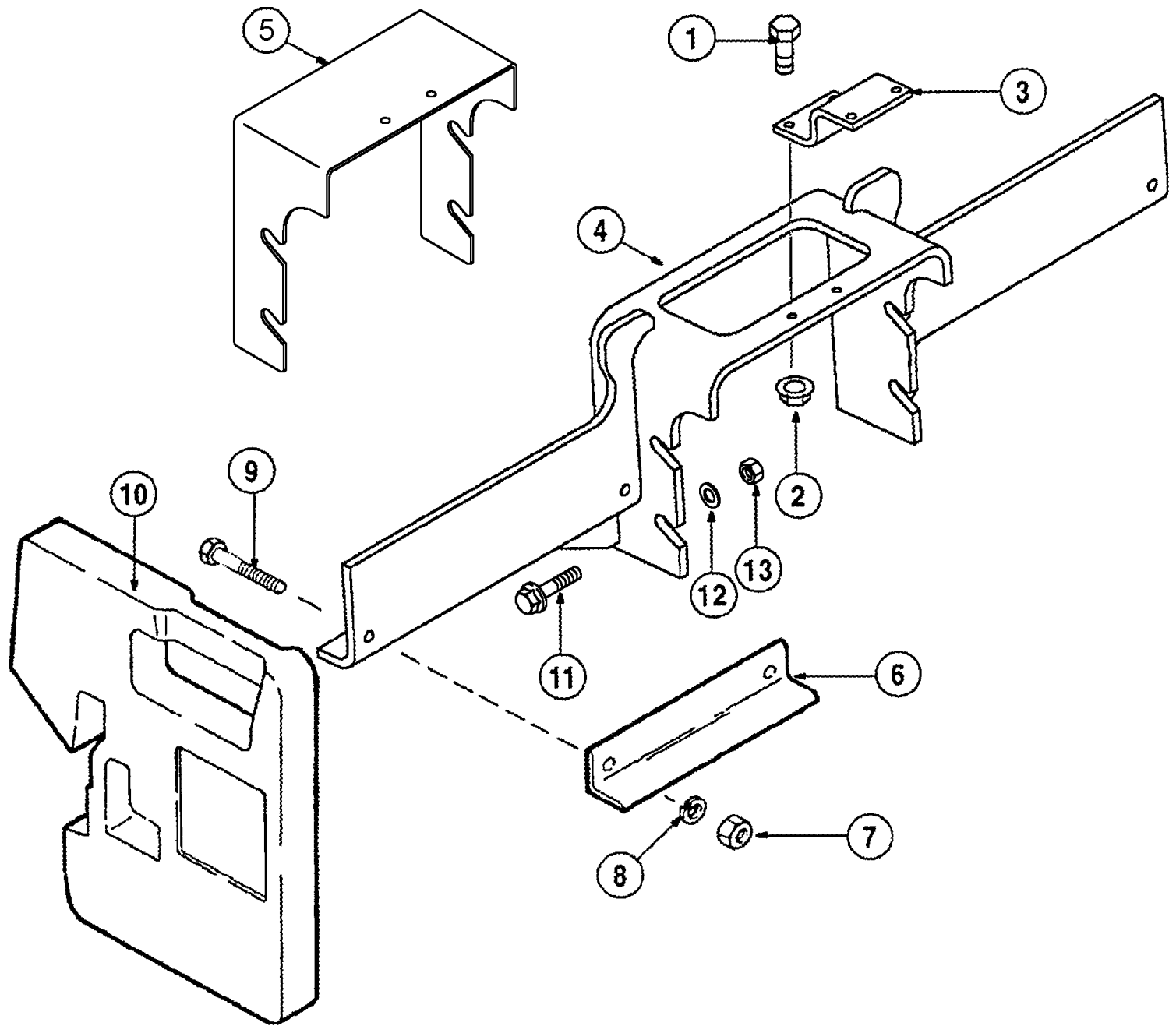
05-24 VALVE ASSY - STEERING PRIORITY

Ref	Part Number	Qty	Description
	114851A2	1	VALVE, Steering, Inc. 1 - 10D
1	NSS	1	NOT SERVICED SEPARATELY, Body
2	NSS	1	NOT SERVICED SEPARATELY, Spool
3	192146A1	1	SPRING,
4	192145A1	1	PLUG, Inc. 5
5	237-6008	1	O-RING, 8-1, 90 Duro, .644" ID x .087" Thk,
6	192149A1	1	FITTING, Inc. 7
7	237-6008	1	O-RING, 8-1, 90 Duro, .644" ID x .087" Thk,
8	1541849C1	1	COUPLING, Diagnostic, Inc. 9, 10
9	237-6006	1	O-RING, 6-1, 90 Duro, .468" ID x .078" Thk,
10	H434163	1	DUST CAP,
	230984A1	1	KIT, Screen and Orifice, Inc. 10A - 10D
10A	NSS	1	NOT SERVICED SEPARATELY, Orifice, Spool, (Not Shown)
10B	NSS	1	NOT SERVICED SEPARATELY, Orifice, Spool, (Not Shown)
10C	NSS	2	NOT SERVICED SEPARATELY, Screen, Spool, (Not Shown)
10D	NSS	1	NOT SERVICED SEPARATELY, O-Ring
11	128328A1	1	FITTING, With Orifice Check Valve, Inc. 12, 13
12	237-6008	1	O-RING, 8-1, 90 Duro, .644" ID x .087" Thk,
13	238-6012	1	O-RING, -012, 90 Duro, .364" ID x .070" Thk,
14	201-328	1	ELBOW, 45e, 9/16"-18 x 9/16"-18, Adj, ORFS, Inc. 15, 16
15	238-6011	1	O-RING, -011, 90 Duro, .301" ID x .070" Thk,
16	237-6006	1	O-RING, 6-1, 90 Duro, .468" ID x .078" Thk,
17	190117A1	1	COUPLING, Diagnostic, Inc. 18
18	H434163	1	DUST CAP,



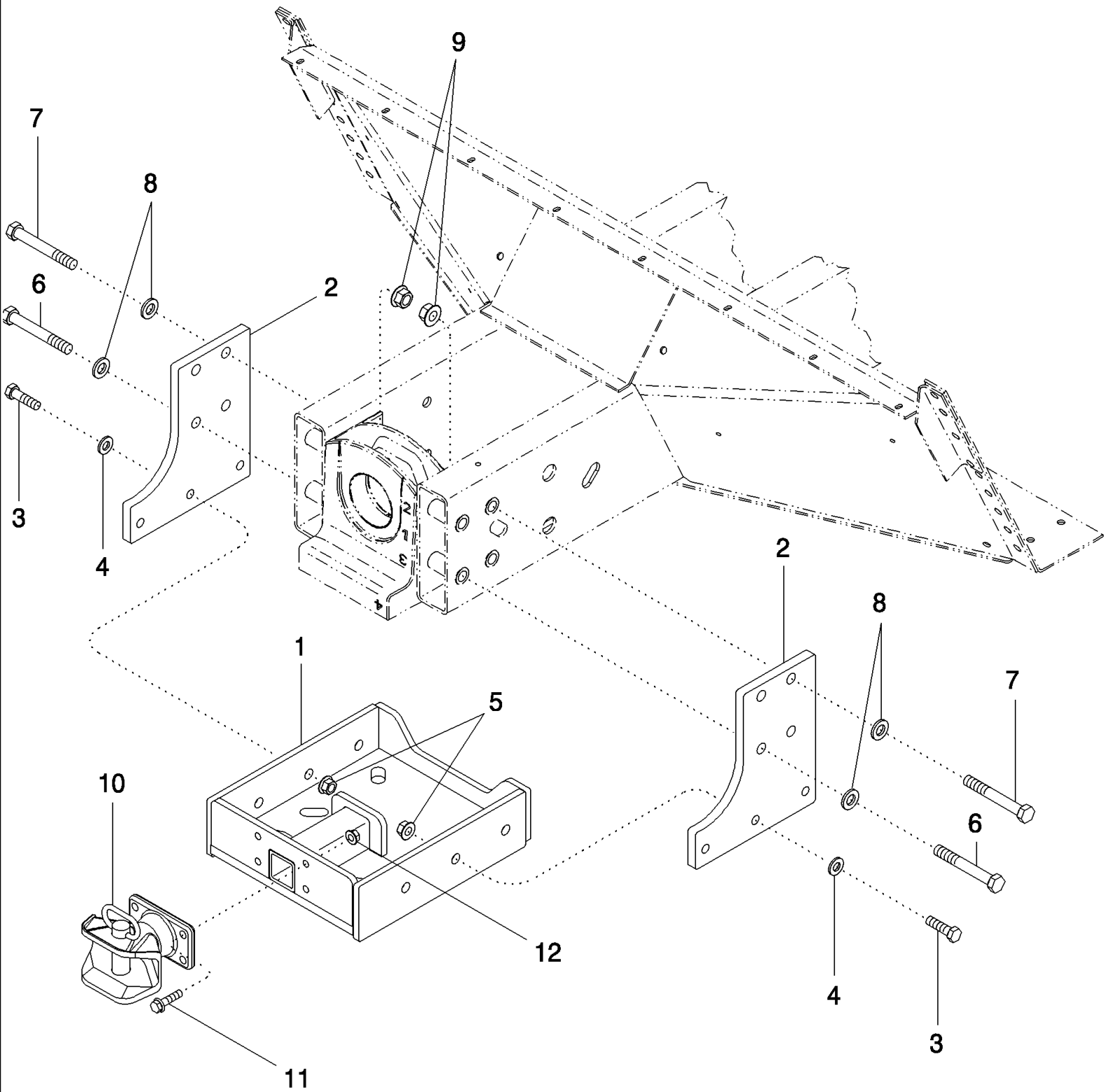
05-25 AXLE, STEERING - SHIELD

Ref	Part Number	Qty	Description
1	1325597C2	1	SHIELD, Steering Axle, With Straw Chopper
1A	447681A1	1	DOOR, Steering Axle, (Not Shown), See Figure 09D -12, With Straw and Chaff Spreader
2	188176C1	1	SUPPORT,
3	203942C1	1	SPRING,
4	38-1814	1	PIN, LOCK, 1/8" x 7/8", Slotted,
5	183093C1	2	BRACKET,
6	183094C1	1	CUSHION,
7	477-73112	AR	BOLT, Slotted Tr Hd, 5/16"-18 x 3/4",
8	231-5145	AR	NUT, Flg, USR, 5/16"-18,
9	413-516	4	BOLT, Hex, 5/16"-18 x 1", G5, Full Thd,
10	232-4115	4	NUT, LOCK, 5/16"-18, GC,
11	495-11034	4	WASHER, 5/16", SAE,
12	477-73812	4	SCREW, Slt'd Serr Truss Hd, 3/8" x 3/4",
12	477-73108	4	SCREW, Slt'd Serr Truss Hd, 5/16"-18 x 1/2",
13	231-5146	4	NUT, Flg, USR, 3/8"-16,
13	231-5145	4	NUT, Flg, USR, 5/16"-18,
14	1325376C1	2	PLATE, Hood Extension
15	428291A1	1	PLATE, Hood Extension, Right-Hand, With Straw Chopper
16	87307501	1	PLATE, Hood Extension, Right-Hand, With Straw and Chaff Spreader
17	1322478C6	1	PLATE, Hood Extension, Left Hand, With Straw Chopper
18	87705901	1	PLATE, Hood Extension, Left-Hand, With Straw and Chaff Spreader
19	1345126C1	1	CUSHION,
20	1968976C1	2	STRIP,
21	316715A1	2	SEAL, Rubber, Hood Extension, Used with 1322478C6
22	409-7612	2	BOLT, Hex Flg, 3/8"-16 x 3/4", Serr,
23	495-21044	2	WASHER, 3/8",
24	231-4146	2	NUT, LOCK, 3/8"-16, GB,



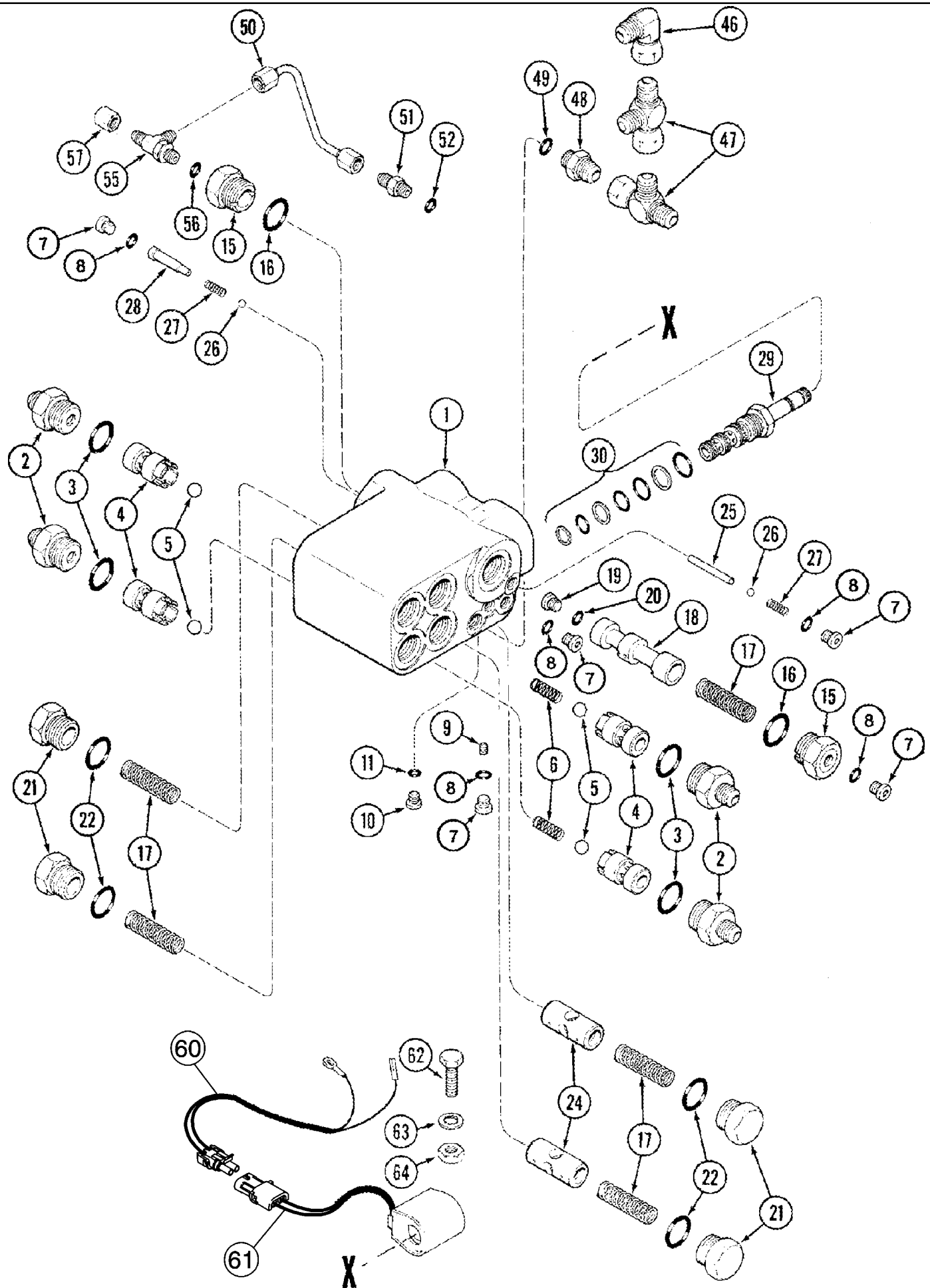
05-26 AXLE, STEERING - WEIGHTS - 16 WEIGHTS

Ref	Part Number	Qty	Description
1	413-620	2	BOLT, Hex, 3/8"-16 x 1 1/4", G5, Full Thd, , Use For PGA Axles in Position 4, Not required On Combines Equipped With Weight Bracket
2	231-5146	2	NUT, Flg, USR, 3/8"-16, , Use For PGA Axles in Position 4, Not required On Combines Equipped With Weight Bracket
3	406560A1	1	SUPPORT, Valve Mounting, Use For PGA Axles in Position 4, Not required On Combines Equipped With Weight Bracket
4	431785A1	1	SUPPORT,
5	87584252	1	CHANNEL, , Use For PGA Axles in Position 4, Not required On Combines Equipped With Weight Bracket
6	193442A2	2	BRACKET,
7	231-4248	4	NUT, LOCK, 1/2"-13, GB,
8	80679	4	WASHER, LOCK, 1/2",
9	413-840	4	BOLT, Hex, 1/2"-13 x 2 1/2", G5,
10	148347C1	AR	PACKAGE, Weight, 100 lb, Order From Machinery Price List
11	9602203	8	BOLT, Hex, 3/4"-10 x 5", G8,
12	496-21081	4	WASHER, 13/16" x 1 1/2" x .179", HDN,
13	87301494	4	NUT, Flg, USR, 3/4"-10, G8,



05-27 HITCH, TRAILER

Ref	Part Number	Qty	Description
	86993039	1	KIT, Hitch, Position 1 and 2, Inc. 1 - 9
1	86993033	1	BASE, Hitch
2	86993035	2	PLATE, Position No. 1 and 2
2	86993036	2	PLATE, Position No. 3
2	86993037	2	PLATE, Position No. 4
3	426-1036	6	BOLT, Hex, 5/8"-11 x 2 1/4", G8,
4	496-21066	6	WASHER, 21/32" x 1 5/16" x .150",
5	87301493	6	NUT, Flg, USR, 5/8"-11, G8,
6	426-1296	2	BOLT, Hex, 3/4"-10 x 6", G8,
7	426-1288	6	BOLT, Hex, 3/4"-10 x 5 1/2", G8,
8	496-21081	8	WASHER, 13/16" x 1 1/2" x .179", HDN,
9	87301494	8	NUT, Flg, USR, 3/4"-10, G8,
10	1311089C91	1	HOOK,
11	409-7832	4	BOLT, Hex Flg, 1/2"-13 x 2", Serr,
12	231-5148	4	NUT, Flg, USR, 1/2"-13,



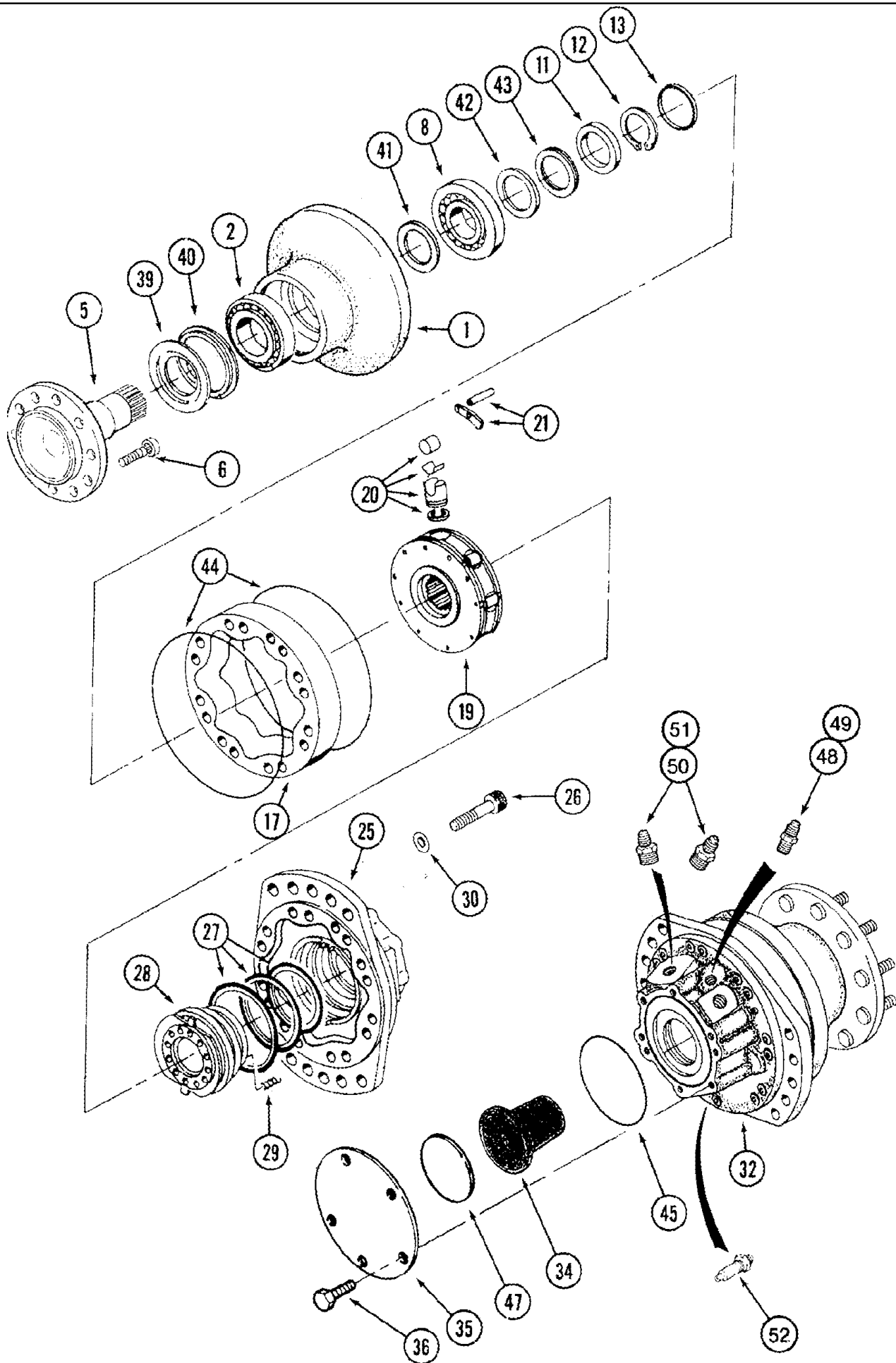
05-28 VALVE, SELECTOR CONTROL - POWER GUIDE AXLE - RICE COMBINE

Ref	Part Number	Qty	Description
	1347194C1	1	VALVE, Selector, Rear Wheel Assist, Inc. 1 - 30
1	NSS	1	NOT SERVICED SEPARATELY, Body, Order 1347194C1
2	218-5070	4	CONNECTOR, HYD., 3/4"-16, 37e x 1 1/16"-12, O-Ring, Inc. 3
3	237-6012	1	O-RING, 12-1, 90 Duro, .924 ID x .118" Thk,
4	NSS	4	NOT SERVICED SEPARATELY, Seat, Check Ball
5	NSS	4	NOT SERVICED SEPARATELY, 9/16 in dia, Ball, Check
6	NSS	2	NOT SERVICED SEPARATELY, Spring, Check, Reverse
7	278548	6	PLUG, Hex Soc, 7/16"-20 ORB, Incl. 8
8	237-6004	1	O-RING, 4-1, 90 Duro, .351" ID x .072" Thk,
9	NSS	1	NOT SERVICED SEPARATELY, Orifice
10	218-5151	1	PLUG, Hex Hd, 5/16"-24 ORB, Inc. 11
11	237-6002	1	O-RING, 2-1, .239" ID x .064" Thk,
15	1970176C1	2	PLUG,
16	237-6012	2	O-RING, 12-1, 90 Duro, .924 ID x .118" Thk,
17	NSS	5	NOT SERVICED SEPARATELY, Spring, Flow Divider and Selector Spool
18	NSS	1	NOT SERVICED SEPARATELY, Spool, Selector
19	NSS	1	NOT SERVICED SEPARATELY, Plug
20	237-6004	1	O-RING, 4-1, 90 Duro, .351" ID x .072" Thk,
21	1979118C1	4	PLUG,
22	237-6012	4	O-RING, 12-1, 90 Duro, .924 ID x .118" Thk,
24	NSS	2	NOT SERVICED SEPARATELY, Spool
25	NSS	1	NOT SERVICED SEPARATELY, Pin, Dowel
26	211-1010	2	BALL, 5/16" Dia, CRS, Flow Divider
27	NSS	2	NOT SERVICED SEPARATELY, Spring, Shuttle, Low Priority
28	NSS	1	NOT SERVICED SEPARATELY, Spacer
26	211-1010	2	BALL, 5/16" Dia, 24,CRS
27	NSS	2	NOT SERVICED SEPARATELY, Spring, Shuttle, Low Priority
28	NSS	1	NOT SERVICED SEPARATELY, Spacer
29	187849C1	1	VALVE, SOLENOID, 4-Way, Cartridge Only, Inc. 30
30	187850C1	1	KIT, SEALS,
46	218-5230	1	ELBOW, 90e, 3/4"-16, 37e x 3/4"-16, 37e Fem Sw,
47	218-845	2	TEE, 37e, 3/4"-16 x 3/4"-16, Fem Sw Run,
48	218-5351	1	CONNECTOR, HYD., 3/4"-16, 37e x 9/16"-18, O-Ring, Inc. 49
49	237-6006	1	O-RING, 6-1, 90 Duro, .468" ID x .078" Thk,
50	1970140C1	1	TUBE, HYD, Charge Pressure
51	218-5053	1	CONNECTOR, HYD., 7/16"-20, 37e x 7/16"-20, O-Ring, Inc. 52
52	237-6004	1	O-RING, 4-1, 90 Duro, .351" ID x .072" Thk,
55	218-5289	1	TEE, 7/16"-20, 37e x 7/16"-20, O-Ring Run, Inc. 56
56	237-6004	1	O-RING, 4-1, 90 Duro, .351" ID x .072" Thk,
57	218-752	1	CAP, 37e, 7/16"-20,
60	87306083	1	CABLE, Power Guide Axle
61	1340843C1	1	COIL, 12 V, Two Wire
62	413-616	1	BOLT, Hex, 3/8"-16 x 1", G5, Full Thd,

2388 CASE IH AXIAL-FLOW COMBINE (RU) ASN HAJ0300001 (10/06-)

05-28 VALVE, SELECTOR CONTROL - POWER GUIDE AXLE - RICE COMBINE

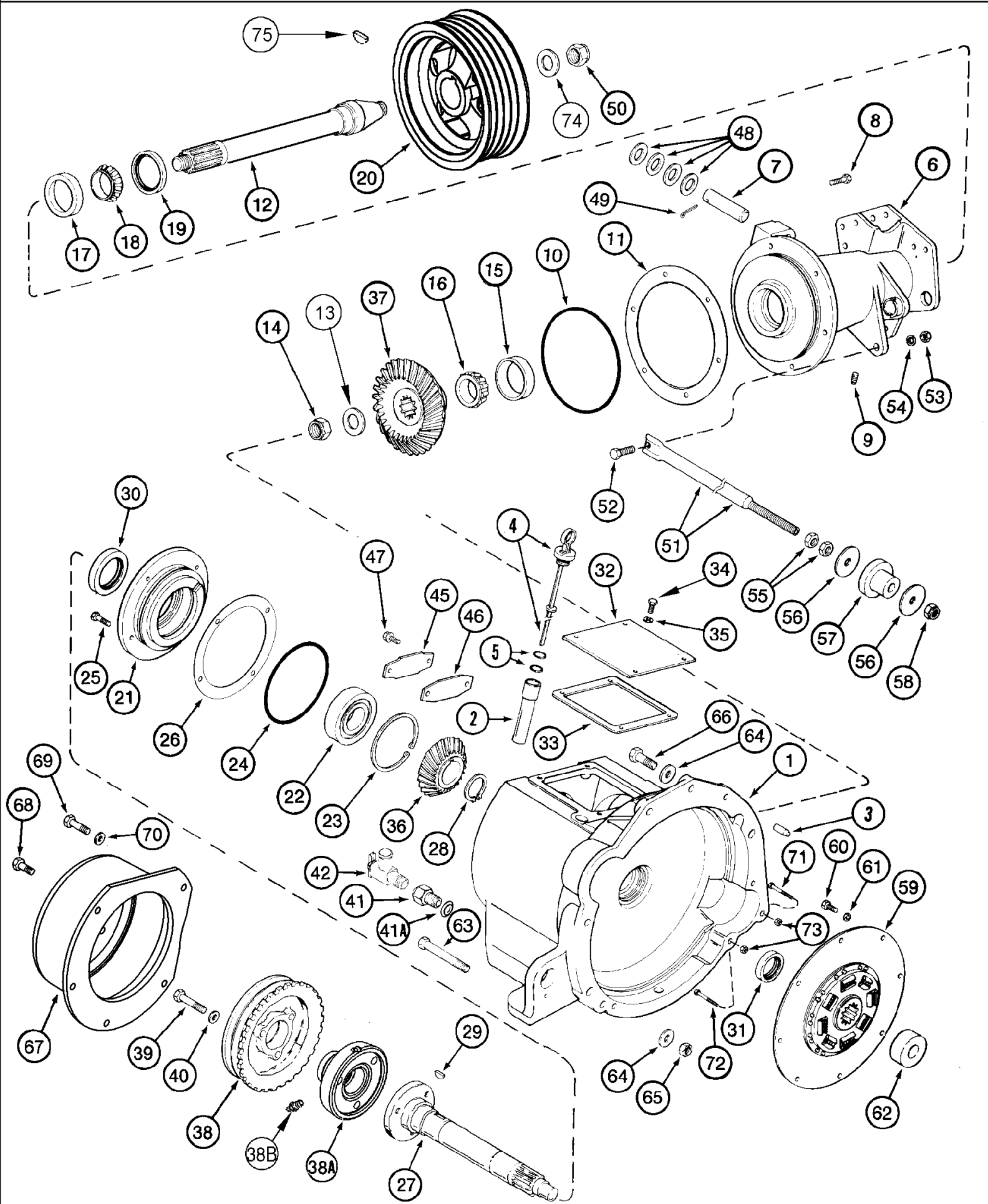
Ref	Part Number	Qty	Description
63	493-11039	1	WASHER, LOCK, 3/8", Int-Ext Tooth,
64	425-106	1	NUT, 3/8"-16, G5,



05-29 MOTOR ASSY - WHEEL DRIVE - POWER GUIDE AXLE - RICE COMBINE

Ref	Part Number	Qty	Description
	87300717	2	MOTOR, HYDRAULIC, Wheel Drive, Inc. 1 - 32, 35 - 45, 48 - 52
1	NSS	1	NOT SERVICED SEPARATELY, Housing
2	305408A1	1	BEARING, BALL, Outer
5	NSS	1	NOT SERVICED SEPARATELY, Shaft, Wheel Hub
6	1970151C1	10	STUD,
8	NSS	1	NOT SERVICED SEPARATELY, Bearing, Ball
11	NSS	1	NOT SERVICED SEPARATELY, Spacer
12	NSS	1	NOT SERVICED SEPARATELY, Ring, Snap
13	NSS	1	NOT SERVICED SEPARATELY, Retainer
17	NSS	1	NOT SERVICED SEPARATELY, Ring
19	NSS	1	NOT SERVICED SEPARATELY, Block, Cylinder
20	NSS	10	NOT SERVICED SEPARATELY, Kit, Piston
21	NSS	1	NOT SERVICED SEPARATELY, Kit, Retainer
25	NSS	1	NOT SERVICED SEPARATELY, Cover
26	426-1432	16	BOLT, Hex, 7/8"-9 x 2", G8,
27	1986737C1	1	KIT, SEALS, , Use with REF 28
28	NSS	1	NOT SERVICED SEPARATELY, Block, Valve
29	NSS	8	NOT SERVICED SEPARATELY, Spring
30	496-21094	16	WASHER, 15/16" x 1 3/4" x .179", HDN,
32	NSS	1	NOT SERVICED SEPARATELY, Housing, Wheel
34	1970394C2	1	DIAPHRAGM,
35	1347321C1	1	COVER,
36	NSS	8	NOT SERVICED SEPARATELY, Bolt, Cover
	276886A1	1	KIT, SEALS, Inc. 39 - 45, Used with 121437A1
	305447A1	1	KIT, SEALS, Inc. 39 - 45, Used with 366825A1
39	NSS	1	NOT SERVICED SEPARATELY, Deflector
40	NSS	1	NOT SERVICED SEPARATELY, Seal
41	NSS	1	NOT SERVICED SEPARATELY, Seal
42	NSS	1	NOT SERVICED SEPARATELY, Washer
43	NSS	1	NOT SERVICED SEPARATELY, Kit, Shim
44	NSS	2	NOT SERVICED SEPARATELY, O-Ring
45	238-5162	1	O-RING, -162, 70 Duro, 5.737" ID x .103" Thk,
47	1347320C1	1	SPACER, Wheel
48	218-5059	1	CONNECTOR, HYD., 3/4"-16, 37e x 3/4"-16, O-Ring, Inc. 49
49	237-6008	1	O-RING, 8-1, 90 Duro, .644" ID x .087" Thk,
50	218-5064	2	CONNECTOR, HYD., 1 1/16"-12, 37e x 1 1/16"-12, O-Ring, Inc. 51
51	237-6012	1	O-RING, 12-1, 90 Duro, .924 ID x .118" Thk,
52	121434A1	1	ADAPTER,

06-01 POWER TAKEOFF DRIVE



06-01 POWER TAKEOFF DRIVE

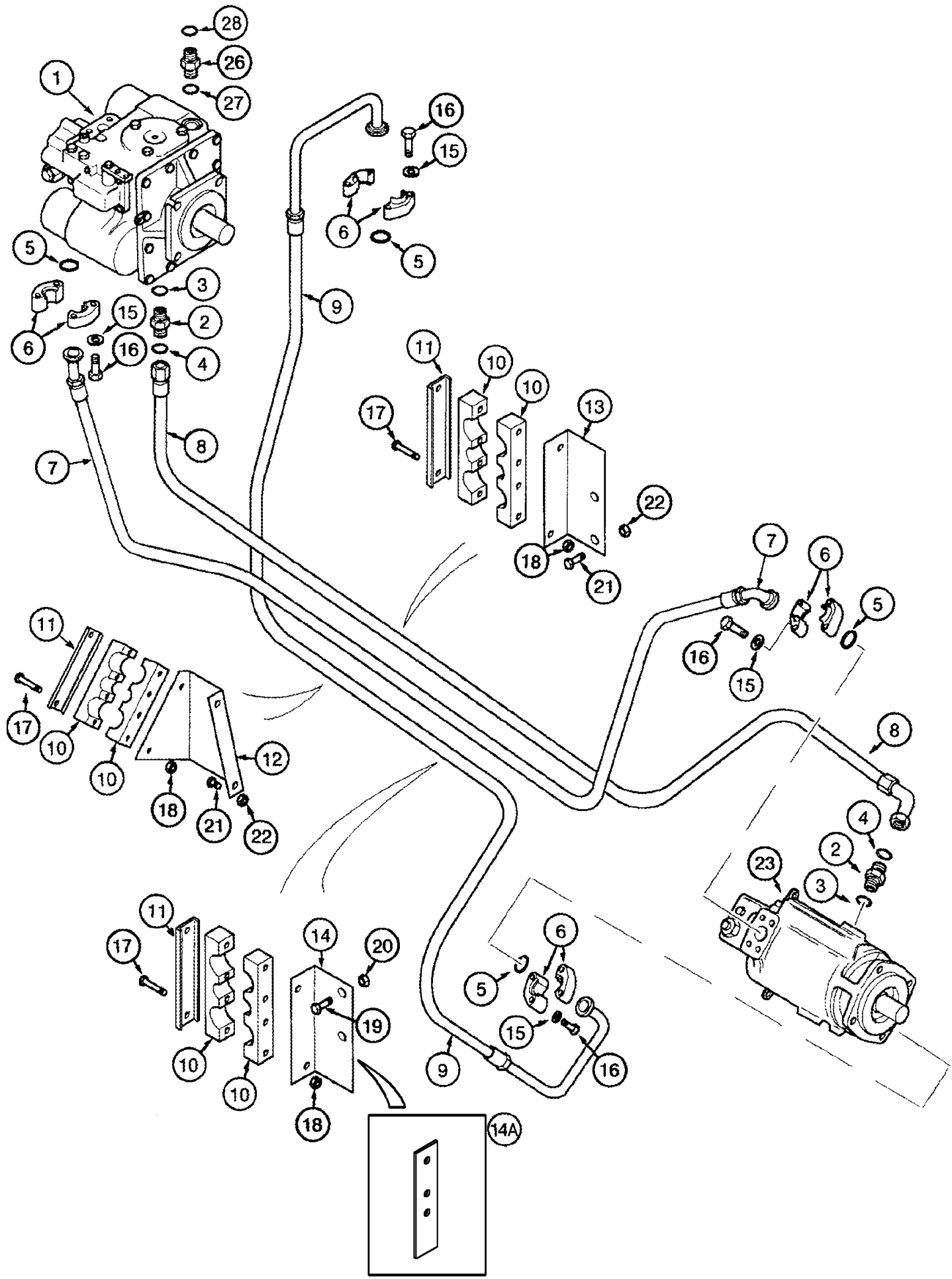
Ref	Part Number	Qty	Description
	365420A1	1	GEARBOX, Inc. 1 - 19, 21 - 42
1	255400A2	1	HOUSING, Power Takeoff (PTO) Drive, Inc. 2, 3
2	188072C1	1	TUBE,
3	1330136C1	2	DOWEL,
4	186019C91	1	DIPSTICK, Inc. 5,
5	238-5210	2	O-RING, -210, 70 Duro, .734" ID x .139" Thk,
	364578A1	1	HOUSING, Separator Drive, Inc. 6, 7
6	364406A1	1	HOUSING,
7	195439C2	1	PIN, Clutch Housing
8	426-620	6	BOLT, Hex, 3/8"-16 x 1 1/4", G8, Full Thd,
9	50057K	1	PLUG, Separator Housing
10	238-6266	1	O-RING, -266, 90 Duro, 7.984" ID x .139" Thk,
	188195C1	1	KIT, SHIM, Inc. 11, Separator Drive Housing
11	NSS	AR	NOT SERVICED SEPARATELY, Shim, 0.005 in
11	NSS	AR	NOT SERVICED SEPARATELY, Shim, 0.007 in
11	NSS	AR	NOT SERVICED SEPARATELY, Shim, 0.010 in
11	NSS	AR	NOT SERVICED SEPARATELY, Shim, 0.030 in
12	362722A1	1	SHAFT, Pulley, Separator Drive
13	396-11131	1	WASHER, 1 5/16" x 2 1/2" x .150",
14	371747A1	1	NUT, LOCK, 1-1/4 NF
15	A75210	1	BEARING, CUP,
16	A75211	1	BEARING, CONE,
17	376463C1	1	BEARING, ROLLER, TAPERED, 3-1/4 OD
18	364463C91	1	BEARING, CONE,
19	194051C1	1	SEAL, Oil, Separator Housing
20	364019A2	1	PULLEY, 11 in OD, Drive
21	192817C2	1	HUB, Drive Shaft Bearing Housing
22	1541766C1	1	BEARING, BALL, 4-23/32 OD, Drive Shaft, Standard
23	100-22475	1	RING, SNAP, 4.78", Int, #475,
24	238-6260	1	O-RING, -260, 90 Duro, 6.484" ID x .139" Thk,
25	426-620	4	BOLT, Hex, 3/8"-16 x 1 1/4", G8, Full Thd,
	188196C1	1	KIT, SHIM, Inc. 26, PTO Drive Shaft Housing
26	NSS	AR	NOT SERVICED SEPARATELY, Shim, 0.030 in
26	NSS	AR	NOT SERVICED SEPARATELY, Shim, 0.010 in
26	NSS	AR	NOT SERVICED SEPARATELY, Shim, 0.007 in
26	NSS	AR	NOT SERVICED SEPARATELY, Shim, 0.005 in
27	192816C2	1	SHAFT,
28	100-12200	1	RING, SNAP, #200, Ext,
29	126-176	1	KEY, WOODRUFF, #128, 5/16" x 2 1/8", HT,
30	173133C91	1	SEAL, 3-5/8 OD, Pump Housing End
31	173559C92	1	SEAL, 2-5/8 OD, Drive Plate End
32	192275C1	1	COVER,
33	191830C2	1	GASKET,

06-01 POWER TAKEOFF DRIVE

Ref	Part Number	Qty	Description
34	413-612	4	BOLT, Hex, 3/8"-16 x 3/4", G5, Full Thd,
35	492-11038	4	WASHER, LOCK, 3/8",
	364579A1	1	GEAR SET, Inc. 36, 37, Separator Drive, Matched Set
36	NSS	1	NOT SERVICED SEPARATELY, Gear, 31 T
37	NSS	1	NOT SERVICED SEPARATELY, Gear, 41 T
38	1330488C1	1	PULLEY, 8.85 OD, Drive, Auxiliary Pump, Also See Figure 08-09, For Hub
38A	196482C3	1	HUB, Drive Pulley
38B	219-87	1	NIPPLE, LUBE, 1/4"-28 x .56" lg, Self-Tap,
39	426-840	3	BOLT, Hex, 1/2"-13 x 2 1/2", G8,
40	495-11053	3	WASHER, 1/2", SAE,
41	280482A1	1	ADAPTER, 1-5/16 PT x 3/8 fem, Inc. 41A
41A	237-6016	1	O-RING, 16-1, 90 Duro, 1.171" ID x .118" Thk,
42	301803R1	1	VALVE, SHUT-OFF, PTO Drain
45	185056C1	1	COVER, Bolt Access Hole
46	185057C2	1	GASKET,
47	409-7612	2	BOLT, Hex Flg, 3/8"-16 x 3/4", Serr,
48	495-81073	4	WASHER, 1 1/32" x 1 3/4" x .060",
49	432-1624	1	PIN, SPLIT (COTTER), 1/4" x 1 1/2",
50	86609684	1	NUT, LOCK, 1 1/4"-7, GB,
51	1315648C1	1	ROD, , BSN HAJ303001
52	413-824	1	BOLT, Hex, 1/2"-13 x 1 1/2", G5, Full Thd, , BSN HAJ303001
53	425-108	1	NUT, 1/2"-13, G5, , BSN HAJ303001
54	80679	1	WASHER, LOCK, 1/2", , BSN HAJ303001
55	425-1510	2	NUT, Jam, 5/8"-18, G5, , BSN HAJ303001
56	107813R1	2	WASHER, 21/32 x 2-1/2 x 11/64, BSN HAJ303001
57	194915C2	1	ISOLATOR,
58	231-46110	1	NUT, LOCK, 5/8"-18, GB, , BSN HAJ303001
59	184429C2	1	DISC, CLUTCH, PTO Drive
60	326-612	8	BOLT, Hex, 3/8"-16 x 3/4", G8, Full Thd,
61	492-21038	8	WASHER, LOCK, 3/8",
62	1324896C2	1	BUSHING, Flywheel, Power Takeoff
63	413-1064	4	BOLT, Hex, 5/8"-11 x 4", G5,
64	496-41066	6	WASHER, 21/32" x 1 1/2" x .188", HDN,
65	425-1010	4	NUT, 5/8"-11, G5,
66	413-1028	2	BOLT, Hex, 5/8"-11 x 1 3/4", G5,
67	1303141C3	1	HOUSING, Hydrostatic Pump
68	413-820	3	BOLT, Hex, 1/2"-13 x 1 1/4", G5, Full Thd,
69	413-828	2	BOLT, Hex, 1/2"-13 x 1 3/4", G5,
70	283856C1	2	WASHER, 17/32 x 1 x 3/16
71	413-652	1	BOLT, Hex, 3/8"-16 x 3 1/4", G5,
72	413-660	1	BOLT, Hex, 3/8"-16 x 3 3/4", G5,
73	425-106	2	NUT, 3/8"-16, G5,
74	396-11131	1	WASHER, 1 5/16" x 2 1/2" x .150",

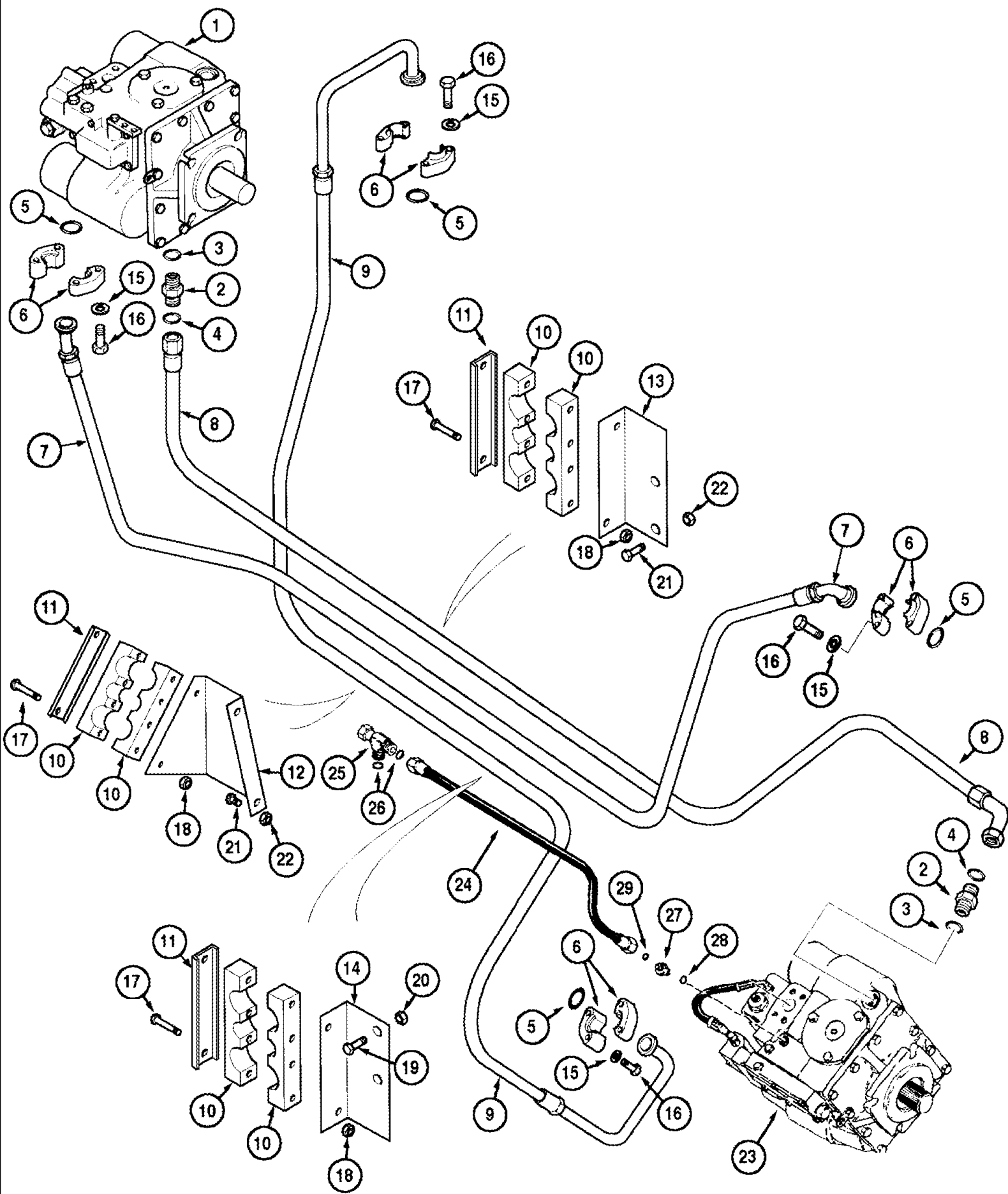
06-01 POWER TAKEOFF DRIVE

Ref	Part Number	Qty	Description
75	126-179	1	KEY, WOODRUFF, #V, 1/2" x 2 3/4", HT,



06-02 HYDROSTATICS - PUMP AND MOTOR - SINGLE SPEED MOTOR

Ref	Part Number	Qty	Description
1	400478A1	1	PUMP, HYDROSTATIC, , See Figure 06-08, BSN HAJ303001
1	87637528	1	PUMP, HYDROSTATIC, , See Figure 06-08, ASN HAJ303001
2	201-130	2	CONNECTOR, HYD., 1 7/16"-12 ORFS x 1 1/16"-12 ORB, Incl. 3, 4
3	237-6012	1	O-RING, 12-1, 90 Duro, .924 ID x .118" Thk,
4	238-6021	1	O-RING, -021, 90 Duro, .926" ID x .070" Thk,
5	238-6219	4	O-RING, -219, 90 Duro, 1.296" ID x .139" Thk,
6	S97224	8	CLAMP, 1 in, Split Flange
7	443578A1	1	HOSE, 3505 mm (138 in), Forward
8	443581A1	1	HOSE, 3902 mm (163-5/8 in), Drain
9	443579A1	1	HOSE, 4110 mm (161-7/8 in), Reverse
10	221145A1	3	CLAMP, Two Piece
11	224303A1	3	GUIDE, 1-5/16 ID x 1/8 in wide, Clamp Backup
12	1979941C1	1	SUPPORT, Hydrostatic Tube, Rear
13	224302A2	1	SUPPORT, Hose Clamp, Middle
14	224301A2	1	SUPPORT, Hose Clamp, Front
14A	427273A1	1	SUPPORT, Hose Clamp
15	492-11044	16	WASHER, LOCK, 7/16",
16	413-728	16	BOLT, Hex, 7/16"-14 x 1 3/4", G5,
17	413-652	6	BOLT, Hex, 3/8"-16 x 3 1/4", G5,
18	231-4146	6	NUT, LOCK, 3/8"-16, GB,
19	409-7516	2	BOLT, Hex Flg, 5/16"-18 x 1", Serr,
20	231-5145	2	NUT, Flg, USR, 5/16"-18,
21	409-7616	6	BOLT, Hex Flg, 3/8"-16 x 1", Serr,
22	231-5146	6	NUT, Flg, USR, 3/8"-16,
23	400475A2	1	MOTOR, HYDROSTATIC, , See Figure 06-13
24	515-23333	1	CLAMP, 1 5/16", Insul, 3/8" Bolt, P-Type, (Not Shown), Used to Separate Reverse Hydrostatic and Case Drain Hoses
25	515-23381	1	CLAMP, 1 1/2", Insul, 3/8" Bolt, P-Type, (Not Shown), Used to Separate Reverse Hydrostatic and Case Drain Hoses, BSN HAJ0295001
25	515-23412	1	CLAMP, 1 5/8", Insul, 3/8" Bolt, , ASN HAJ0295001
26	201-130	1	CONNECTOR, HYD., 1 7/16"-12 ORFS x 1 1/16"-12 ORB, Incl. 27, 28
27	237-6012	1	O-RING, 12-1, 90 Duro, .924 ID x .118" Thk,
28	238-6021	1	O-RING, -021, 90 Duro, .926" ID x .070" Thk,

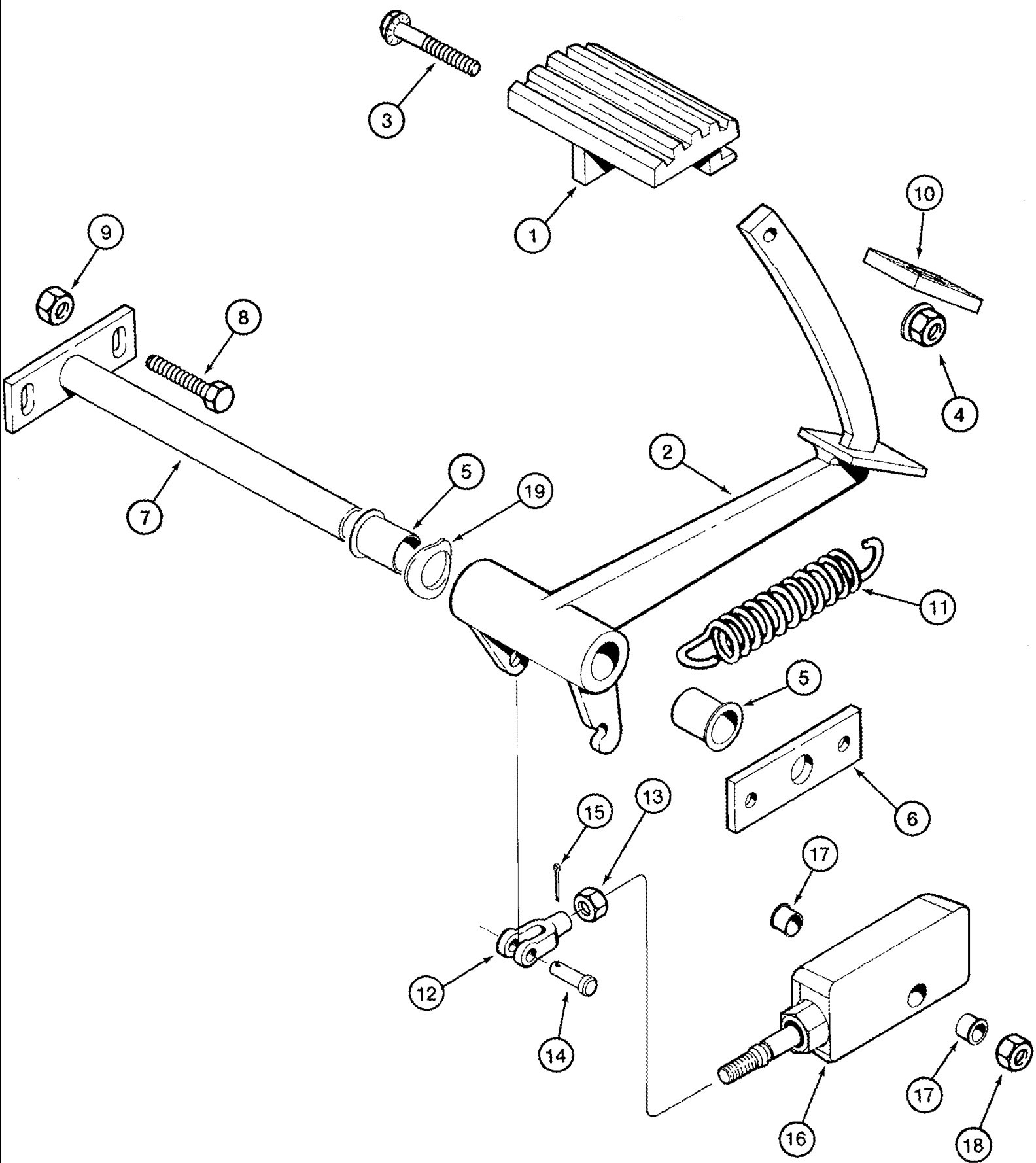


06-03 HYDROSTATICS - PUMP AND MOTOR - TWO SPEED MOTOR

Ref	Part Number	Qty	Description
1	400478A1	1	PUMP, HYDROSTATIC, , Corn and Grain Combine, See Figure 06-09, BSN HAJ303001
1	87637528	1	PUMP, HYDROSTATIC, , See Figure 06-09, Corn and Grain Combine, ASN HAJ303001
1	400479A1	1	PUMP, HYDROSTATIC, , Rice Combine, See Figure 06 -08, BSN HAJ303001
1	87637529	1	PUMP, HYDROSTATIC, , Rice Combine, See Figure 06-08, ASN HAJ303001
2	201-130	2	CONNECTOR, HYD., 1 7/16"-12 ORFS x 1 1/16"-12 ORB, Incl. 3, 4
3	237-6012	1	O-RING, 12-1, 90 Duro, .924 ID x .118" Thk,
4	238-6021	1	O-RING, -021, 90 Duro, .926" ID x .070" Thk,
5	238-6219	4	O-RING, -219, 90 Duro, 1.296" ID x .139" Thk,
6	S97224	8	CLAMP, 1 in, Split Flange
7	227640A1	1	HOSE, 3455 mm (136 in), Forward, Pump to Motor
8	227639A2	1	HOSE, 3705 mm (145-7/8 in), Drain, Pump to Motor
9	227641A2	1	HOSE, 4055 mm (159-5/8 in), Reverse, Pump to Motor
10	221145A1	3	CLAMP, Two Piece
11	224303A1	3	GUIDE, 1-5/16 ID x 1/8 in wide, Clamp Backup
12	1979941C1	1	SUPPORT, Hydrostatic Tube, Rear
13	224302A2	1	SUPPORT, Hose Clamp, Middle
14	224301A2	1	SUPPORT, Hose Clamp, Front
15	492-11044	16	WASHER, LOCK, 7/16",
16	413-728	16	BOLT, Hex, 7/16"-14 x 1 3/4", G5,
17	413-652	6	BOLT, Hex, 3/8"-16 x 3 1/4", G5,
18	231-4146	6	NUT, LOCK, 3/8"-16, GB,
19	409-7516	2	BOLT, Hex Flg, 5/16"-18 x 1", Serr,
20	231-5145	2	NUT, Flg, USR, 5/16"-18,
21	409-7616	4	BOLT, Hex Flg, 3/8"-16 x 1", Serr,
22	231-5146	4	NUT, Flg, USR, 3/8"-16,
23	400476A2	1	MOTOR, HYDROSTATIC, Hydrostatic, See Figure 06-15
24	129188A1	1	HOSE, 1170 mm (46-1/8 in)
25	201-422	1	TEE, 11/16"-16 ORFS x 11/16"-16 Fem Sw Run, Inc. 26
26	238-6012	2	O-RING, -012, 90 Duro, .364" ID x .070" Thk,
27	201-100	1	CONNECTOR, HYD., 9/16"-18 ORFS x 7/16"-20 ORB, Inc. 28, 29
28	237-6004	1	O-RING, 4-1, 90 Duro, .351" ID x .072" Thk,
29	238-6011	1	O-RING, -011, 90 Duro, .301" ID x .070" Thk,
30	435437A1	6	STRAP, CABLE, 3/16" x 7 1/4", 7 in, (Not Shown)

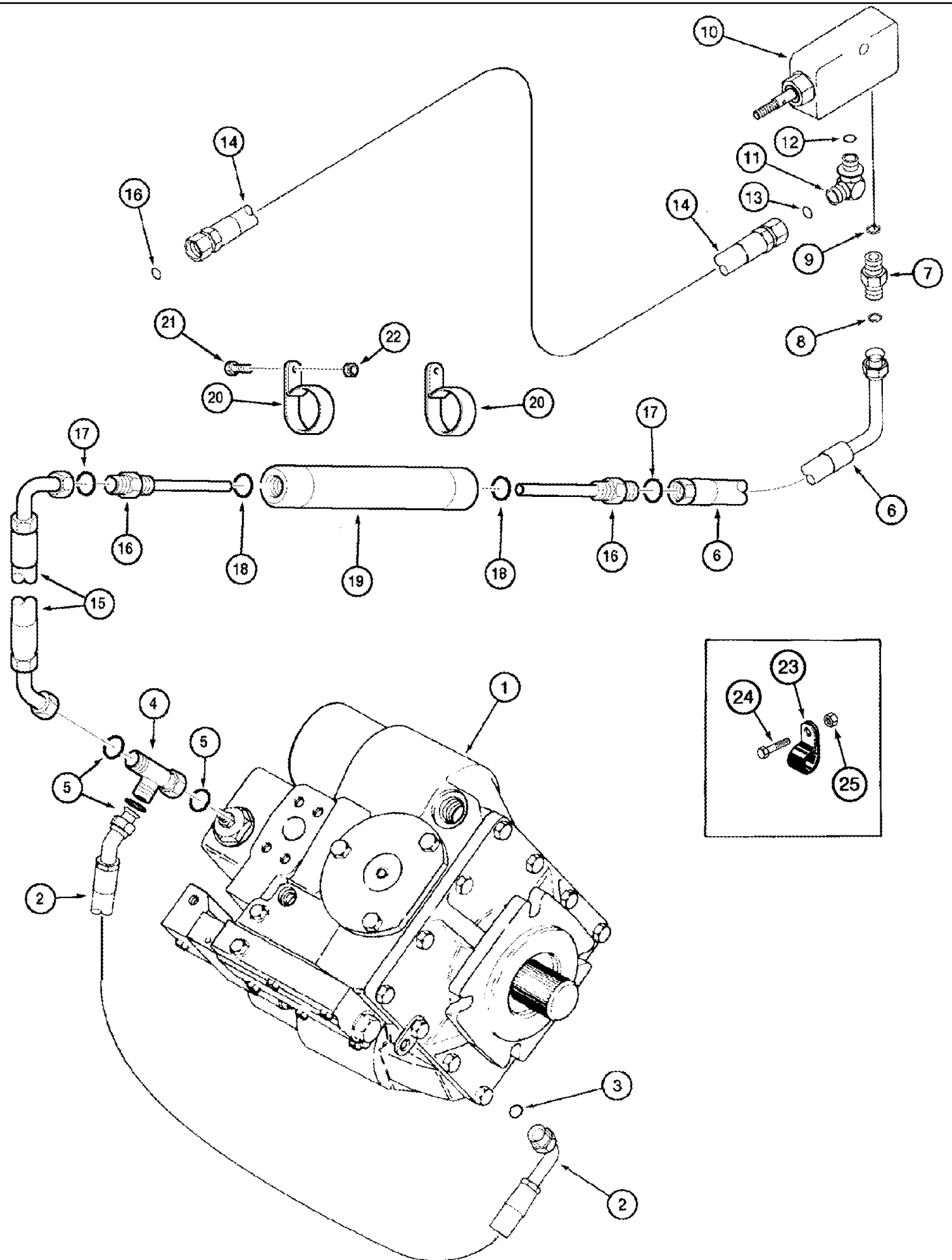
Corn, Grain and Rice Combine

06-04 PEDAL - FOOT-N-INCH



06-04 PEDAL - FOOT-N-INCH

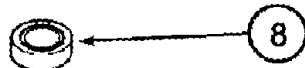
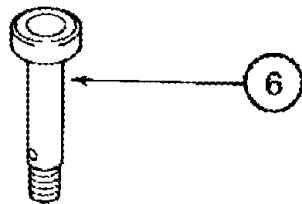
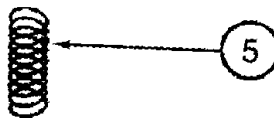
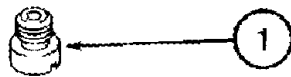
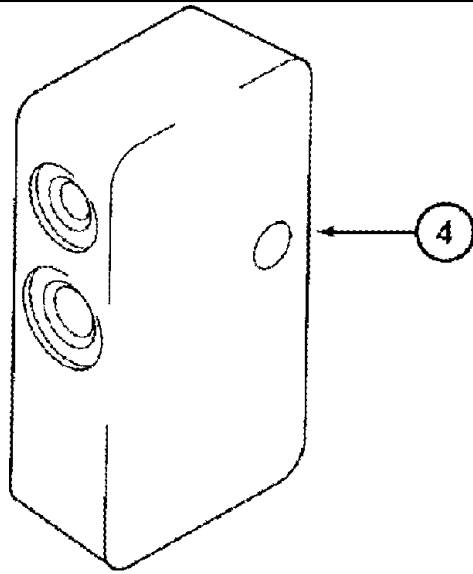
Ref	Part Number	Qty	Description
1	119902A1	1	PAD,
2	119901A3	1	PEDAL, Foot-N-Inch
3	905-10035	1	BOLT, Hex Serr Flg, M10 x 35,
4	825-51410	1	NUT, M10, Flg Ser,
5	72323	2	BUSHING, Used as a Spacer
6	1281794C1	1	PLATE,
7	120160A2	1	SHAFT,
8	614-8025	4	BOLT, Hex, M8 x 25, 8.8,
9	832-10408	4	NUT, LOCK, M8 x 1.25, CI 8,
10	120159A1	1	SEAL,
11	182652A1	1	SPRING, 27.9 OD x 122 mm
12	213-125	1	CLEVIS, ADJUSTABLE, 5/16"-24,
13	425-155	1	NUT, Jam, 5/16"-24, G5,
14	327-5094	1	PIN, CLEVIS, 5/16" x .940",
15	432-612	1	PIN, SPLIT (COTTER), 3/32" x 3/4",
16	REF	1	INSTRUCTION, Valve Assy, Foot-N-Inch, See Figure 06-06
17	19-6263	2	BEARING, Valve Pivot
18	425-166	1	NUT, 3/8"-16, G5, Hvy,
19	G49413	1	WASHER,



06-05 HYDRAULICS - FOOT-N-INCH VALVE

Ref	Part Number	Qty	Description
1	REF	1	INSTRUCTION, MOTOR, Hydrostatic, See Figure(s) 06-13 - 06-16, Two Speed, Illustrated
2	141127A3	1	HOSE, 400 mm (15-3/4 in), At Motor Relief Valve
3	238-6011	1	O-RING, -011, 90 Duro, .301" ID x .070" Thk,
4	201-421	1	TEE, 9/16"-18 ORFS x 9/16"-18 Sw Run, Inc. 5
5	238-6011	3	O-RING, -011, 90 Duro, .301" ID x .070" Thk,
6	141126A2	1	HOSE, 2800 mm (110-1/4 in), Supply, Foot-N-Inch Valve
7	201-100	1	CONNECTOR, HYD., 9/16"-18 ORFS x 7/16"-20 ORB, Inc. 8, 9
8	238-6011	1	O-RING, -011, 90 Duro, .301" ID x .070" Thk,
9	237-6004	1	O-RING, 4-1, 90 Duro, .351" ID x .072" Thk,
10	REF	1	INSTRUCTION, VALVE Assy, Foot-N-Inch, See Figure 06-07
11	201-332	1	ELBOW, 90ε, 13/16"-16 x 9/16"-18, Adj, ORFS, Inc. 12, 13
12	237-6006	1	O-RING, 6-1, 90 Duro, .468" ID x .078" Thk,
13	238-6014	1	O-RING, -014, 90 Duro, .489" ID x .070" Thk,
14	141158A2	1	HOSE, FLEXIBLE, 651 mm (25-5/8 in), Return, Foot-N-Inch Valve
15	244209A3	1	HOSE, FLEXIBLE, 620mm (24-13/32 in), Foot-N-Inch Supply to Tube
16	243956A1	2	FITTING, Inc. 17, 18
17	238-6011	1	O-RING, -011, 90 Duro, .301" ID x .070" Thk,
18	237-6006	1	O-RING, 6-1, 90 Duro, .468" ID x .078" Thk,
19	242967A1	1	TUBE, Supply, Foot-N-Inch Valve
20	243755A1	2	CLAMP, 1-9/16 ID
21	409-7616	2	BOLT, Hex Flg, 3/8"-16 x 1", Serr,
22	231-5146	2	NUT, Flg, USR, 3/8"-16,
23	515-23206	1	CLAMP, 13/16", Insul, 3/8" Bolt, P-type, For Return Hose
23	515-23159	1	CLAMP, 5/8", Insul, 3/8" Bolt, For supply hose
24	614-8025	1	BOLT, Hex, M8 x 25, 8.8,
25	832-10408	1	NUT, LOCK, M8 x 1.25, CI 8,
26	1327979C1	1	MOLDING, 152 mm (6 in), (Not Shown)

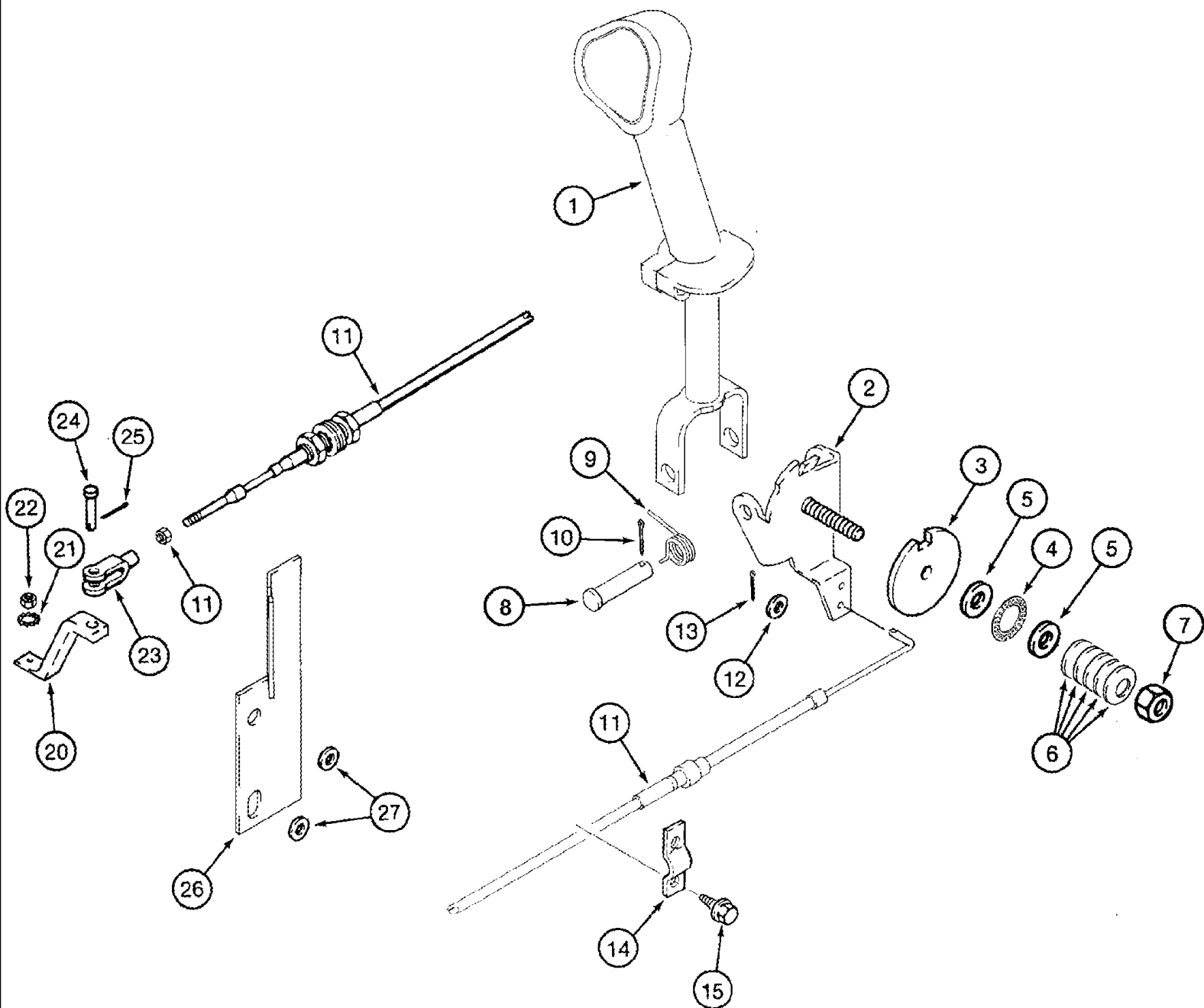
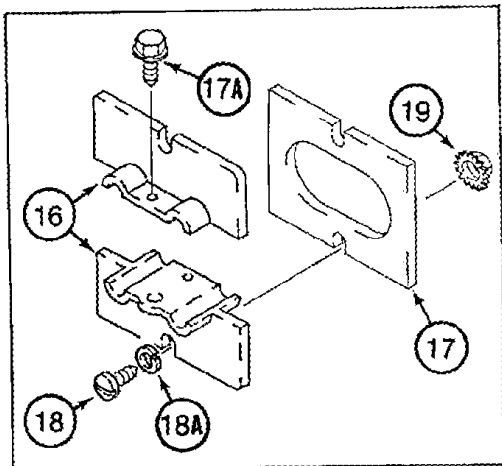
06-06 VALVE ASSY - FOOT-N-INCH



06-06 VALVE ASSY - FOOT-N-INCH

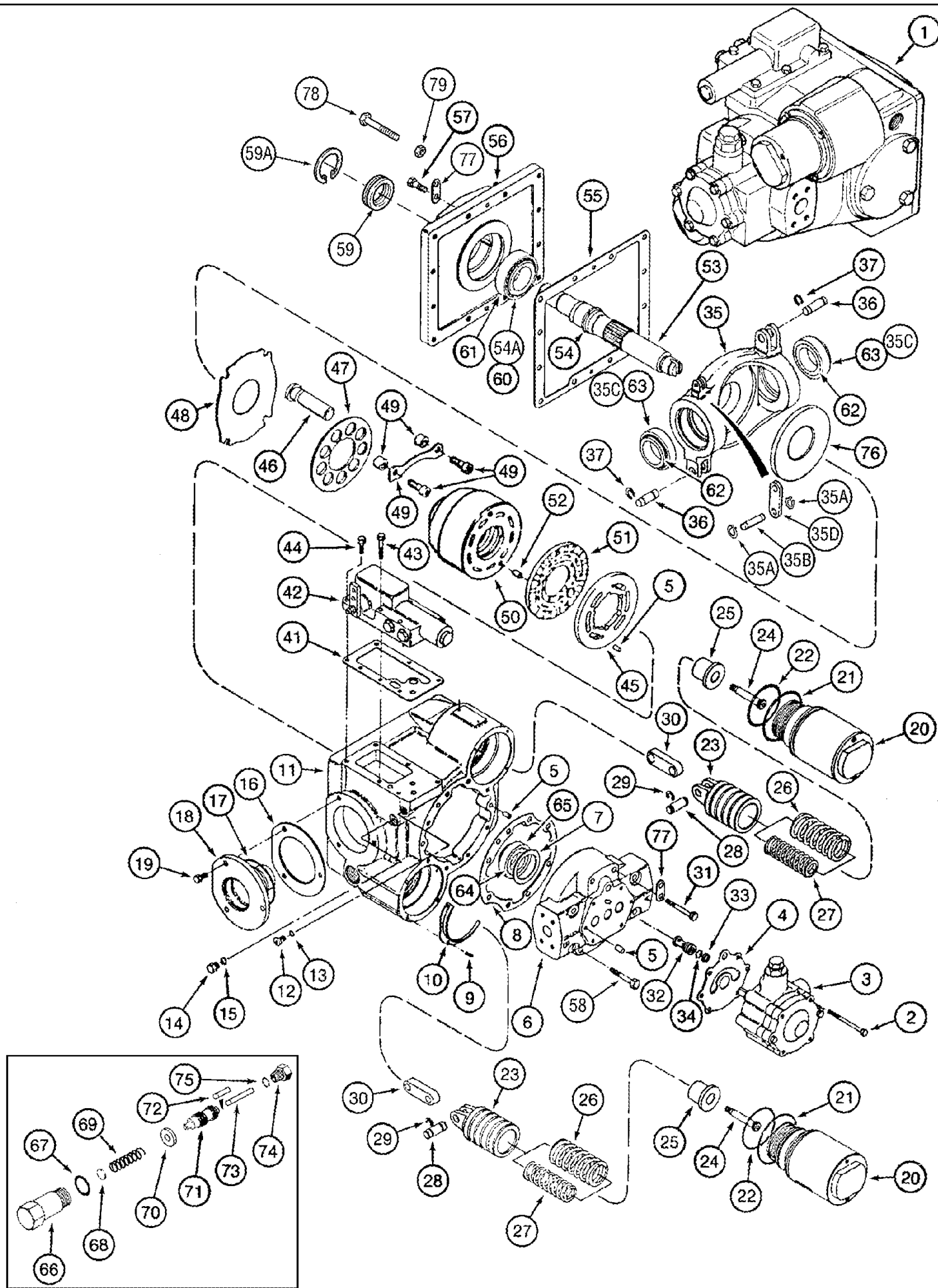
Ref	Part Number	Qty	Description
	123974A4	1	VALVE, Foot-N-Inch, 6000 psi, Inc. 1 - 10, Corn and Grain Combine
	296786A2	1	VALVE, Foot-N-Inch, 6000 psi, Inc. 1 - 10, Rice Combine
1	123595A2	1	SEAT, VALVE,
2	237-6002	1	O-RING, 2-1, .239" ID x .064" Thk,
3	398710R1	1	POPPET, VALVE,
4	NSS	1	NOT SERVICED SEPARATELY, Housing
5	539751R2	1	SPRING,
6	398708R1	1	STOP,
7	398707R1	1	GUIDE,
8	398701R91	1	SEAL,
9	237-6010	1	O-RING, 10-1, 90 Duro, .755" ID x .097" Thk,
	530575R91	AR	KIT, SHIM, Inc. 10
10	NSS	4	NOT SERVICED SEPARATELY, Shim, 0.005 in
10	NSS	4	NOT SERVICED SEPARATELY, Shim, 0.007 in
10	NSS	2	NOT SERVICED SEPARATELY, Shim, 0.020 in
10	NSS	1	NOT SERVICED SEPARATELY, Shim, 0.042 in

06-07 CONTROLS - PROPULSION



06-07 CONTROLS - PROPULSION

Ref	Part Number	Qty	Description
1	113314A2	1	LEVER, CONTROL, Propulsion, See Figure 04-07
2	113318A2	1	SUPPORT,
3	251090A1	1	WASHER, Wear
4	159688R91	1	BEARING, THRUST,
5	496-81010	2	WASHER, 15/32 x 1 x 7/64
6	1994980C1	6	WASHER,
7	231-1447	1	NUT, LOCK, 7/16"-14, GB,
8	27-8343	1	PIN, CLEVIS, 1/2" x 3 7/16",
9	128593A1	1	SPRING,
10	432-816	1	PIN, SPLIT (COTTER), 1/8" x 1",
11	115396A1	1	CABLE, Throttle and Propulsion
12	895-11005	2	WASHER, M5 x 10 x 1,
13	432-48	1	PIN, SPLIT (COTTER), 1/16" x 1/2",
14	A75815	1	CLAMP,
15	841-4410	2	SCREW, Hex Wash Hd, M4 x 10,
16	119314A1	2	CLAMP, Throttle and Propulsion Cables to Cab
17	119328A1	1	GASKET,
17A	191216A1	2	SCREW, SELF TAPPING, Hex Wash Hd, #10-24 x 5/8",
18	117067A1	2	SCREW, SELF TAPPING, Cross Pan Hd, #10-24 x 3/4",
18A	492-11010	2	WASHER, LOCK, #10,
19	231-51409	2	NUT, Flg, USR, #10-24,
20	184433A1	1	LEVER, Control, Hydrostatic Pump
21	493-41033	1	WASHER, LOCK, Ext Tooth, 5/16",
22	425-105	1	NUT, 5/16"-18, G5,
23	213-123	1	CLEVIS, ADJUSTABLE, #10-32 x 1 9/16",
24	427-3058	1	PIN, CLEVIS, 3/16" x .580",
25	432-48	1	PIN, SPLIT (COTTER), 1/16" x 1/2",
26	138479A2	1	SUPPORT, Cable to Pump
27	495-81009	2	WASHER, .469" x 1" x .120",



06-08 PUMP ASSY - HYDROSTATIC

Ref	Part Number	Qty	Description
	400478A1R	1	REMAN-HYDRAUL PUMP, N.A. Only, Corn and Grain Combine, BSN HAJ303001
	87659947	1	N.A. Only, Corn and Grain Combine, ASN HAJ303001
	400479A1R	1	PUMP, HYDROSTATIC, Remanufactured, N.A. Only, Rice Combine, BSN HAJ303001
	87659948	1	Remanufactured, N.A. Only, Rice Combine, ASN HAJ303001
	400478A1C	1	CORE, Use To Return Core For Credit, Corn and Grain Combine
	400479A1C	1	CORE, Use To Return Core For Credit, Rice Combine
1	400478A1	1	PUMP, HYDROSTATIC, 105.4 cc, Inc. 2 - 79, Inc. Figures 06-09, 06-10, Corn and Grain Combine, BSN HAJ303001
1	87637528	1	PUMP, HYDROSTATIC, Inc. 2 - 79, Inc. Figures 06-09, 06-10, Corn and Grain Combine, ASN HAJ303001
1	400479A1	1	PUMP, HYDROSTATIC, 105.4 cc, Inc. 2 - 79, Inc. Figures 06-09, 06-11, Rice Combine, BSN HAJ303001
1	87637529	1	PUMP, HYDROSTATIC, Inc. 2 - 79, Inc. Figures 06-09, 06-11, Rice Combine, ASN HAJ303001
2	413-560	4	BOLT, Hex, 5/16"-18 x 3 3/4", G5, , Corn and Grain Combine
2	413-564	4	BOLT, Hex, 5/16"-18 x 4", G5, , Rice Combine
3	92740C2	1	PUMP, Charge, Corn and Grain Combine, See Figure 06-10
3	107593A2	1	PUMP, Charge, See Figure 06-11, Rice Combine
4	133760C2	1	GASKET,
5	37-1510	5	DOWEL, 5/16" x 5/8",
6	NSS	1	NOT SERVICED SEPARATELY, Cover, End
	142398C91	1	KIT, SHIM, End Cover, Inc. 7
7	NSS	1	NOT SERVICED SEPARATELY, Shim, 0.003 in
7	NSS	1	NOT SERVICED SEPARATELY, Shim, 0.005 in
7	NSS	1	NOT SERVICED SEPARATELY, Shim, 0.010 in
7	NSS	1	NOT SERVICED SEPARATELY, Shim, 0.015 in
7	NSS	1	NOT SERVICED SEPARATELY, Shim, 0.020 in
7	NSS	1	NOT SERVICED SEPARATELY, Shim, 0.030 in
8	92741C2	1	GASKET,
9	461-3086	6	SCREW, Hex Soc Hd, #8-32 x 3/8",
10	142408C1	2	RETAINER, Servo Piston
11	NSS	1	NOT SERVICED SEPARATELY, Housing, Pump
12	278548	1	PLUG, Hex Soc, 7/16"-20 ORB, Incl. 13
13	237-6004	1	O-RING, 4-1, 90 Duro, .351" ID x .072" Thk,
14	9672438	1	PLUG, Hex Hd, 7/16"-20 ORB, Incl. 15
15	237-6004	1	O-RING, 4-1, 90 Duro, .351" ID x .072" Thk,
	142386C91	1	KIT, SHIM, Trunnion Bearing, Inc. 16
16	NSS	6	NOT SERVICED SEPARATELY, Shim, 0.002 in
16	NSS	4	NOT SERVICED SEPARATELY, Shim, 0.005 in
16	NSS	4	NOT SERVICED SEPARATELY, Shim, 0.010 in
16	NSS	4	NOT SERVICED SEPARATELY, Shim, 0.015 in
16	NSS	4	NOT SERVICED SEPARATELY, Shim, 0.025 in
17	238-5234	2	O-RING, -234, 70 Duro, 2.984" ID x .139" Thk,
18	NSS	2	NOT SERVICED SEPARATELY, Trunnion, Pump

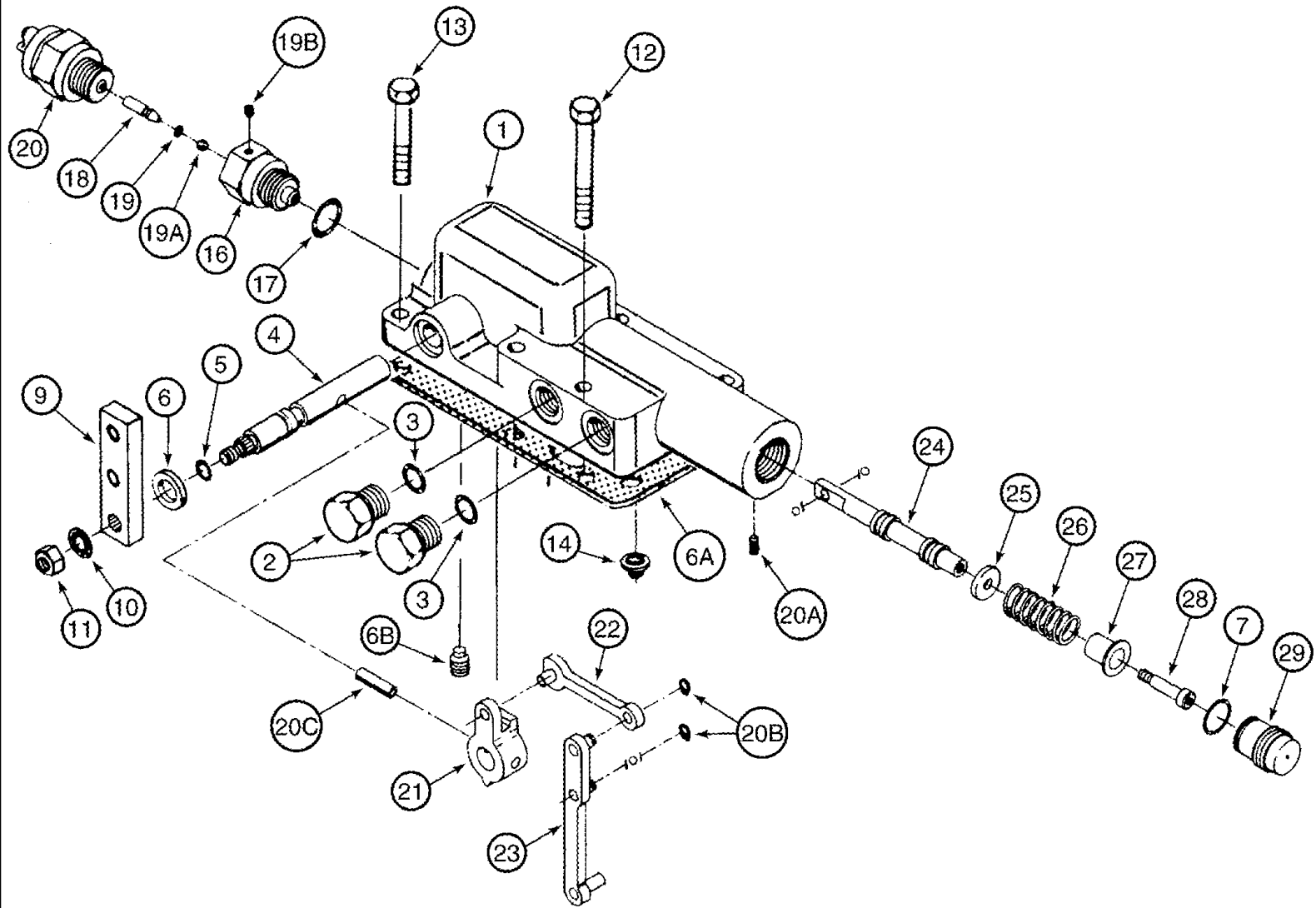
06-08 PUMP ASSY - HYDROSTATIC

Ref	Part Number	Qty	Description
19	413-714	6	BOLT, Hex, 7/16"-14 x 7/8", G5, Full Thd,
20	NSS	2	NOT SERVICED SEPARATELY, Sleeve Assy, Servo
21	238-5237	1	O-RING, -237, 70 Duro, 3.359" ID x .139" Thk,
22	238-5234	1	O-RING, -234, 70 Duro, 2.984" ID x .139" Thk,
23	NSS	2	NOT SERVICED SEPARATELY, Piston Assy, Servo
24	NSS	1	NOT SERVICED SEPARATELY, Screw
25	NSS	1	NOT SERVICED SEPARATELY, Retainer
26	NSS	1	NOT SERVICED SEPARATELY, Spring
27	NSS	1	NOT SERVICED SEPARATELY, Spring
28	NSS	1	NOT SERVICED SEPARATELY, Pin
29	100-1375	2	RING, SNAP, #75, Ext,
30	NSS	1	NOT SERVICED SEPARATELY, Link
31	413-748	6	BOLT, Hex, 7/16"-14 x 3", G5,
32	140769C1	2	VALVE, CHECK, Inc. 33, 34
33	140770C1	1	RING,
34	238-6113	1	O-RING, -113, 90 Duro, .549" ID x .103" Thk,
35	NSS	1	NOT SERVICED SEPARATELY, Plate, Swash
35A	100-1125	2	RING, SNAP, #25, Ext,
35B	140765C1	1	PIN,
35C	NSS	2	NOT SERVICED SEPARATELY, Bearing, Cup
35D	NSS	1	NOT SERVICED SEPARATELY, Link
36	140766C1	2	PIN,
37	100-1356	4	RING, SNAP, #56, Ext,
41	133756C1	1	GASKET,
42	191065A1	1	VALVE, CONTROL, , See Figure 06-09
43	413-528	2	BOLT, Hex, 5/16"-18 x 1 3/4", G5,
44	413-516	4	BOLT, Hex, 5/16"-18 x 1", G5, Full Thd,
45	NSS	1	NOT SERVICED SEPARATELY, Plate, Valve
46	NSS	9	NOT SERVICED SEPARATELY, Piston
47	NSS	1	NOT SERVICED SEPARATELY, Plate
48	NSS	1	NOT SERVICED SEPARATELY, Plate
49	NSS	1	NOT SERVICED SEPARATELY, Kit
50	NSS	1	NOT SERVICED SEPARATELY, Barrel
51	NSS	1	NOT SERVICED SEPARATELY, Plate
52	37-1510	7	DOWEL, 5/16" x 5/8",
53	403149A1	1	SHAFT, Inc. 54, 54A
54	NSS	1	NOT SERVICED SEPARATELY, Ring, Retaining
54A	NSS	1	NOT SERVICED SEPARATELY, Bearing, Cone
55	142399C1	1	GASKET,
56	NSS	1	NOT SERVICED SEPARATELY, Flange, Mounting
57	413-720	12	BOLT, Hex, 7/16"-14 x 1 1/4", G5,
58	426-732	2	BOLT, Hex, 7/16"-14 x 2", G8,
59	403145A1	1	SEAL, Shaft

06-08 PUMP ASSY - HYDROSTATIC

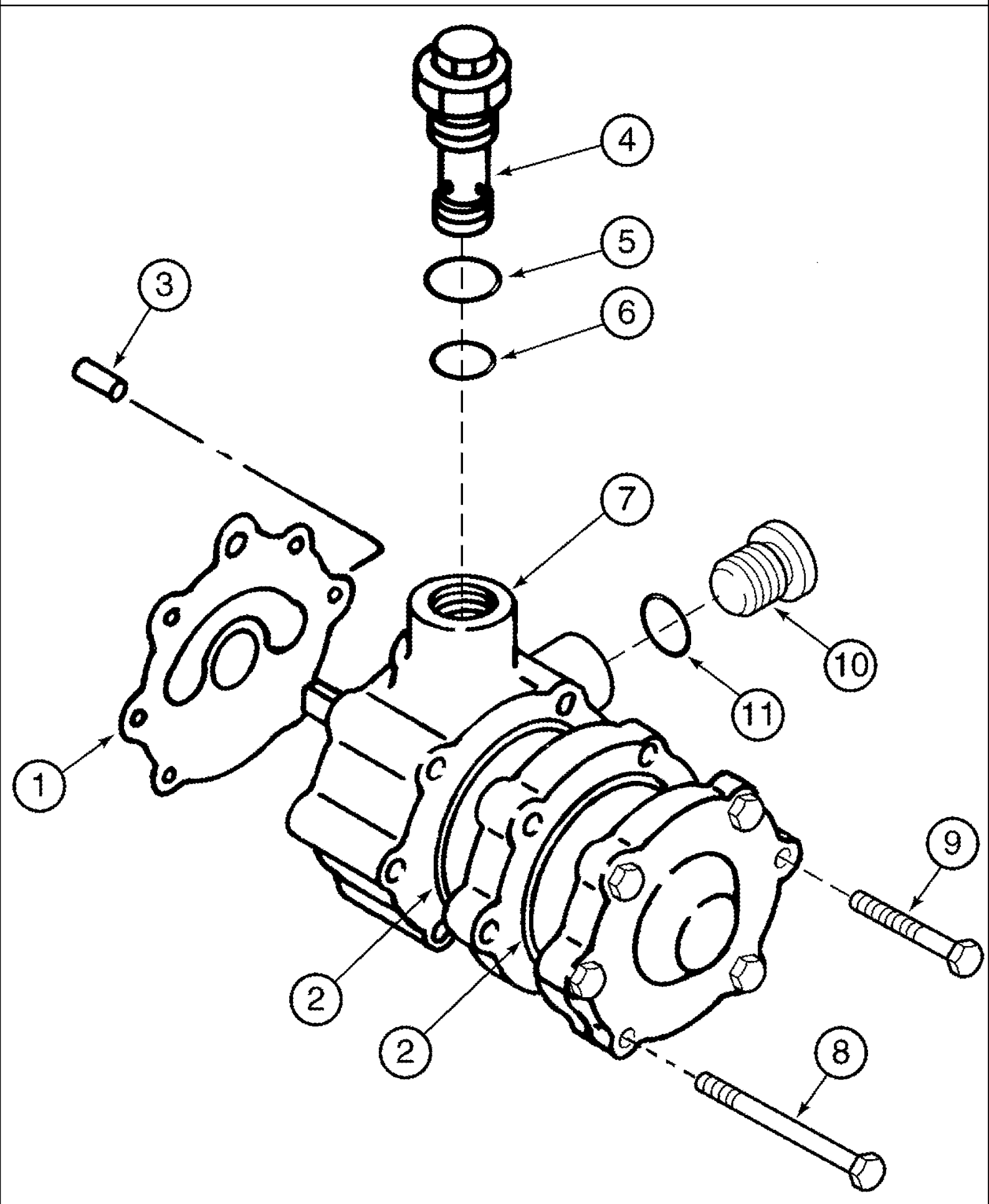
Ref	Part Number	Qty	Description
59A	100-21250	1	RING, SNAP, 2.50", Int, #250,
60	56694H	1	BEARING, CONE,
61	ST863	1	BEARING, CUP,
62	NSS	2	NOT SERVICED SEPARATELY, Bearing, Cone
63	NSS	2	NOT SERVICED SEPARATELY, Bearing, Cup
64	400983R91	1	BEARING, CONE, 1-3/16 ID
65	530741R1	1	BEARING, CUP, 2-17/32 OD
	1986739C1	1	KIT, REPAIR, Spool Repair, Internal Pressure Override, Inc. 66 - 75, Rice Combine
66	NSS	1	NOT SERVICED SEPARATELY, Body
67	237-6010	1	O-RING, 10-1, 90 Duro, .755" ID x .097" Thk,
68	235419A1	1	KIT, SHIM,
69	NSS	1	NOT SERVICED SEPARATELY, Spring
70	NSS	1	NOT SERVICED SEPARATELY, Spacer
71	NSS	1	NOT SERVICED SEPARATELY, Spool
72	NSS	1	NOT SERVICED SEPARATELY, Roller
73	NSS	1	NOT SERVICED SEPARATELY, Roller
74	218-5151	1	PLUG, Hex Hd, 5/16"-24 ORB, Inc. 75
75	237-6006	1	O-RING, 6-1, 90 Duro, .468" ID x .078" Thk,
76	NSS	1	NOT SERVICED SEPARATELY, Plate, Thrust
77	NSS	2	NOT SERVICED SEPARATELY, Strap, Shipping, Shown For Reference Only
78	413-832	4	BOLT, Hex, 1/2"-13 x 2", G5,
79	86544265	4	NUT, Flg, 1/2"-13, G8,

06-09 PUMP ASSY - HYDROSTATIC - CONTROL VALVE



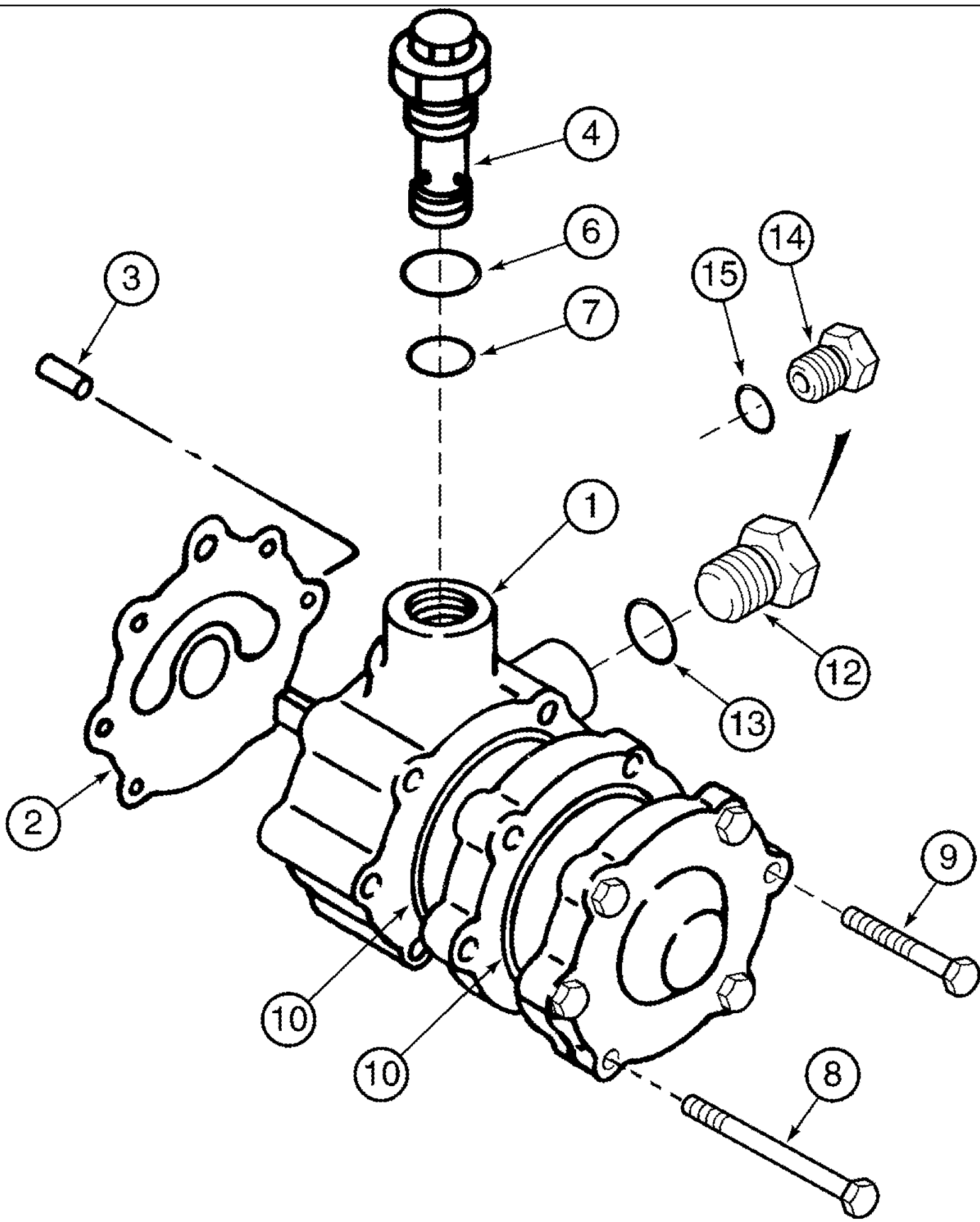
06-09 PUMP ASSY - HYDROSTATIC - CONTROL VALVE

Ref	Part Number	Qty	Description
	REF	1	INSTRUCTION, Pump, Hydrostatic, See Figure(s) 06-08 - 06-12
	191065A1	1	VALVE, CONTROL, Hydrostatic Pump, Inc. 1 - 29
1	NSS	1	NOT SERVICED SEPARATELY, Body
2	76349	2	PLUG, Hex Hd, 9/16"-18 ORB, Inc. 3
	1978048C3	1	SHAFT, Inc. 4 - 6B
3	237-6006	1	O-RING, 6-1, 90 Duro, .468" ID x .078" Thk,
4	NSS	1	NOT SERVICED SEPARATELY, Shaft
5	238-5012	1	O-RING, -012, 70 Duro, .364" ID x .070" Thk,
6	NSS	1	NOT SERVICED SEPARATELY, Seal
6A	133756C1	1	GASKET,
6B	NSS	1	NOT SERVICED SEPARATELY, Setscrew
7	238-5016	1	O-RING, -016, 70 Duro, .614" ID x .070" Thk,
8	237-6006	1	O-RING, 6-1, 90 Duro, .468" ID x .078" Thk,
9	REF	1	INSTRUCTION, Lever, Not Used In This Application, , See Figure 06-07, REF 20, For Lever
10	493-11033	1	WASHER, LOCK, Ext-Int Tooth, 5/16",
11	425-105	1	NUT, 5/16"-18, G5,
12	413-528	2	BOLT, Hex, 5/16"-18 x 1 3/4", G5,
13	413-516	4	BOLT, Hex, 5/16"-18 x 1", G5, Full Thd,
14	1272750C1	1	ORIFICE, 0.057 in dia, Used In 1343716C4
15	238-5012	1	O-RING, -012, 70 Duro, .364" ID x .070" Thk,
	197909A2	1	ADAPTER, Special, Inc. 16 - 19C, Valve to Switch
16	NSS	1	NOT SERVICED SEPARATELY, Adapter
17	238-6008	1	O-RING, -008, 90 Duro, .176" ID x .070" Thk,
18	NSS	1	NOT SERVICED SEPARATELY, Pin, Neutral Start
19	238-5004	1	O-RING, -004, 70 Duro, .07" ID x .070" Thk,
19A	211-1006	1	BALL, 3/16" Dia, Neutral Start
19B	84-1103	2	SET SCREW, Hex Soc, #10-32 x 3/16",
19C	86991254	1	SEAL, Switch, (Not Shown)
20	197514A2	1	SWITCH, Neutral Start
20A	83-1106	1	SET SCREW, Hex Soc, #10-24 x 3/8",
20B	100-1125	2	RING, SNAP, #25, Ext,
20C	38-1614	1	PIN, LOCK, 3/32" x 7/8", Slotted,
21	NSS	1	NOT SERVICED SEPARATELY, Connector
22	NSS	1	NOT SERVICED SEPARATELY, Link
23	NSS	1	NOT SERVICED SEPARATELY, Link
24	NSS	1	NOT SERVICED SEPARATELY, Spool
25	NSS	1	NOT SERVICED SEPARATELY, Spacer
26	NSS	1	NOT SERVICED SEPARATELY, Spring
27	NSS	1	NOT SERVICED SEPARATELY, Retainer
28	NSS	1	NOT SERVICED SEPARATELY, Screw
29	NSS	1	NOT SERVICED SEPARATELY, Screw



06-10 PUMP ASSY - HYDROSTATIC - CHARGE PUMP - CORN AND GRAIN COMBINE

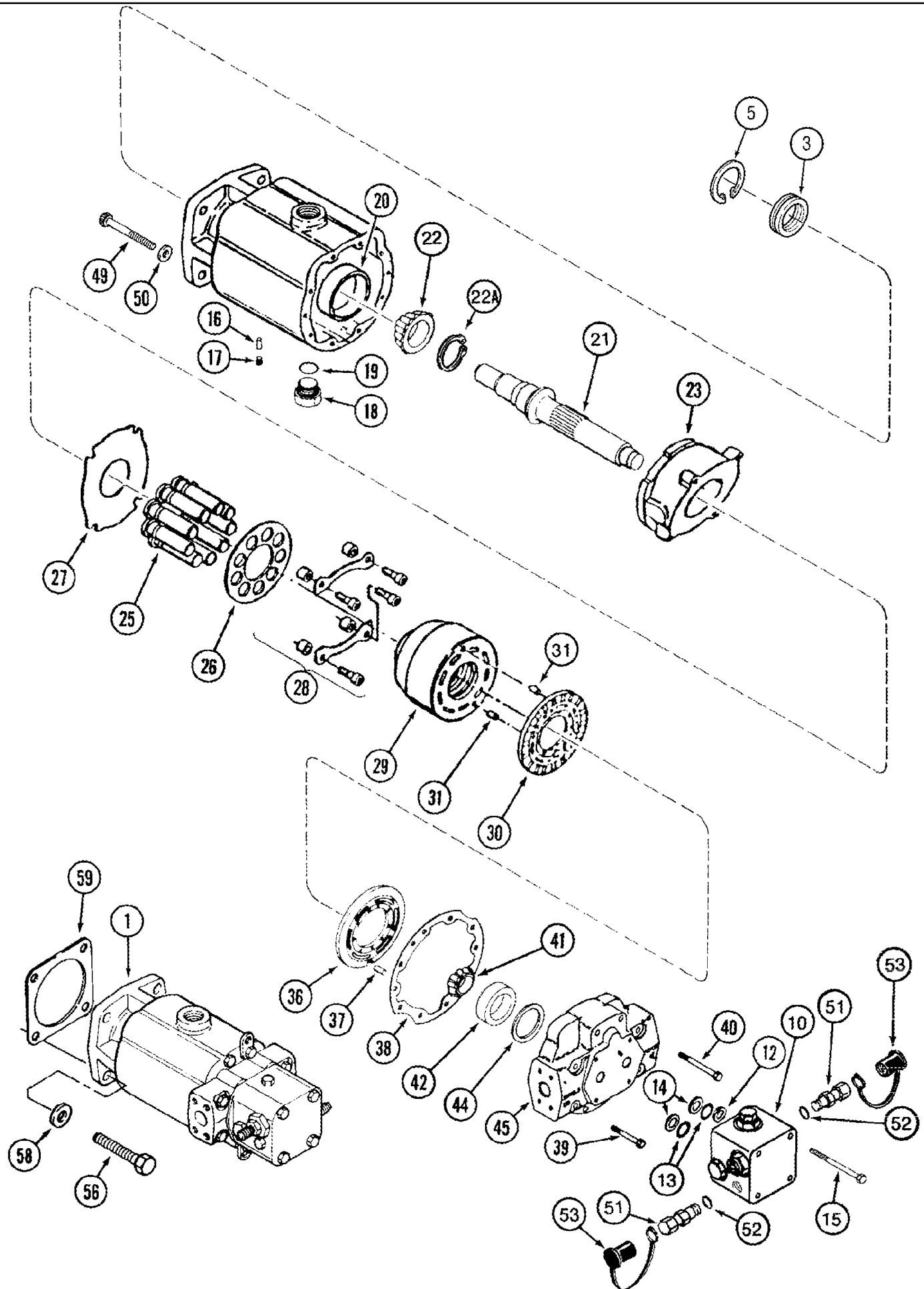
Ref	Part Number	Qty	Description
	REF	1	INSTRUCTION, Pump, Hydrostatic, See Figure(s) 06-08 - 06-12
	92740C2	1	PUMP, Charge, Inc. 1 - 9
1	133760C2	1	GASKET,
2	238-5041	2	O-RING, -041, 70 Duro, 2.989" ID x .070" Thk,
3	37-1510	2	DOWEL, 5/16" x 5/8",
4	140771C1	1	VALVE, Inc. 5 - 6, Low Pressure
5	237-6014	1	O-RING, 14-1, 90 Duro, 1.048" ID x .118" Thk,
6	238-6117	1	O-RING, -117, 90 Duro, .799" ID x .103" Thk,
7	NSS	1	NOT SERVICED SEPARATELY, Body
8	326-560	4	BOLT, Hex, 5/16"-18 x 3 3/4", G8,
9	413-532	2	BOLT, Hex, 5/16"-18 x 2", G5,
10	86512512	1	PLUG, Hex Hd, 7/8"-14 ORB, Incl. 11
11	237-6010	1	O-RING, 10-1, 90 Duro, .755" ID x .097" Thk,
	255081A1	1	KIT, SEALS, Seal, Charge Pump, Inc.1, 5, 6, 11



06-11 PUMP ASSY - HYDROSTATIC - CHARGE PUMP - RICE COMBINE

Ref	Part Number	Qty	Description
	REF	1	INSTRUCTION, Pump, Hydrostatic, See Figure(s) 06-08 - 06-12
	107593A2	1	PUMP, Charge, Inc. 1 - 13
1	NSS	1	NOT SERVICED SEPARATELY, Body
2	133760C2	1	GASKET,
3	37-1510	2	DOWEL, 5/16" x 5/8",
	1986741C1	1	VALVE, PRESSURE RELIEF, Inc. 4 - 7
4	NSS	1	NOT SERVICED SEPARATELY, Body
6	237-6014	1	O-RING, 14-1, 90 Duro, 1.048" ID x .118" Thk,
7	238-6117	1	O-RING, -117, 90 Duro, .799" ID x .103" Thk,
8	326-564	4	BOLT, Hex, 5/16"-18 x 4", G8,
9	413-536	2	BOLT, Hex, 5/16"-18 x 2 1/4", G5,
10	238-5041	2	O-RING, -041, 70 Duro, 2.989" ID x .070" Thk,
12	86512512	1	PLUG, Hex Hd, 7/8"-14 ORB, Incl. 13
13	237-6010	1	O-RING, 10-1, 90 Duro, .755" ID x .097" Thk,
14	196443A1	1	REDUCER, 7/16 fem x 7/8 in Or, Replaces 218-5157, REF 12, Inc. 15
15	237-6010	1	O-RING, 10-1, 90 Duro, .755" ID x .097" Thk,
	255081A1	1	KIT, SEALS, Charge Pump, Inc. 2, 6, 7, 13

06-12 MOTOR ASSY - HYDROSTATIC - SINGLE SPEED



06-12 MOTOR ASSY - HYDROSTATIC - SINGLE SPEED

Ref	Part Number	Qty	Description
	400475A2R	1	REMAN-MOTOR HYDRAUL, Hydrostatic
	400475A2C	1	REMAN-MOTOR HYDRAUL, Use To Return Core For Credit
1	400475A2	1	MOTOR, HYDROSTATIC, Hydrostatic, Inc. 2 - 53, Part Number Stamped On Part
	403145A1	1	SEAL, Shaft, Inc. 3, 5
3	NSS	1	NOT SERVICED SEPARATELY, Seal
5	100-21250	1	RING, SNAP, 2.50", Int, #250,
10	193646A2	1	BLOCK, Relief Valve, See Figure 06-13
	140747C92	1	KIT, SEALS, Seal, Valve Block, Inc. 12 - 14
12	239-5018	1	O-RING, Rect, .755" ID x .875" OD, CI 5,
13	238-6018	2	O-RING, -018, 90 Duro, .739" ID x .070" Thk,
14	631458C1	2	RING,
15	413-664	4	BOLT, Hex, 3/8"-16 x 4", G5,
16	37-1516	1	DOWEL, 5/16" x 1",
17	217-430	1	PLUG, Hex Soc, 1/8"-27,
18	218-5158	1	PLUG, Hex Hd, 1 1/16"-12 ORB, Inc. 19
19	237-6012	1	O-RING, 12-1, 90 Duro, .924 ID x .118" Thk,
20	ST863	1	BEARING, CUP,
21	403147A1	1	SHAFT, Inc. 22, 22A
22	NSS	1	NOT SERVICED SEPARATELY, Bearing, Cone
22A	NSS	1	NOT SERVICED SEPARATELY, No. 200, Ring, Retaining
23	NSS	1	NOT SERVICED SEPARATELY, Plate
25	NSS	9	NOT SERVICED SEPARATELY, Piston
26	NSS	1	NOT SERVICED SEPARATELY, Plate
27	NSS	1	NOT SERVICED SEPARATELY, Plate
28	NSS	1	NOT SERVICED SEPARATELY, Kit
29	NSS	1	NOT SERVICED SEPARATELY, Barrel
30	NSS	1	NOT SERVICED SEPARATELY, Plate
31	37-1510	2	DOWEL, 5/16" x 5/8",
36	NSS	1	NOT SERVICED SEPARATELY, Plate, Valve
37	37-1510	3	DOWEL, 5/16" x 5/8",
38	1980140C1	1	GASKET,
39	326-732	2	BOLT, Hex, 7/16"-14 x 2", G8,
40	326-748	6	BOLT, Hex, 7/16"-14 x 3", G8,
41	400983R91	1	BEARING, CONE, 1-3/16 ID
42	530741R1	1	BEARING, CUP, 2-17/32 OD
	142398C91	1	KIT, SHIM, Inc. 44
44	NSS	1	NOT SERVICED SEPARATELY, Shim, 0.003 in
44	NSS	1	NOT SERVICED SEPARATELY, Shim, 0.005 in
44	NSS	1	NOT SERVICED SEPARATELY, Shim, 0.010 in
44	NSS	1	NOT SERVICED SEPARATELY, Shim, 0.015 in
44	NSS	1	NOT SERVICED SEPARATELY, Shim, 0.020 in
44	NSS	1	NOT SERVICED SEPARATELY, Shim, 0.030 in
45	NSS	1	NOT SERVICED SEPARATELY, Cover

Corn and Grain Combine

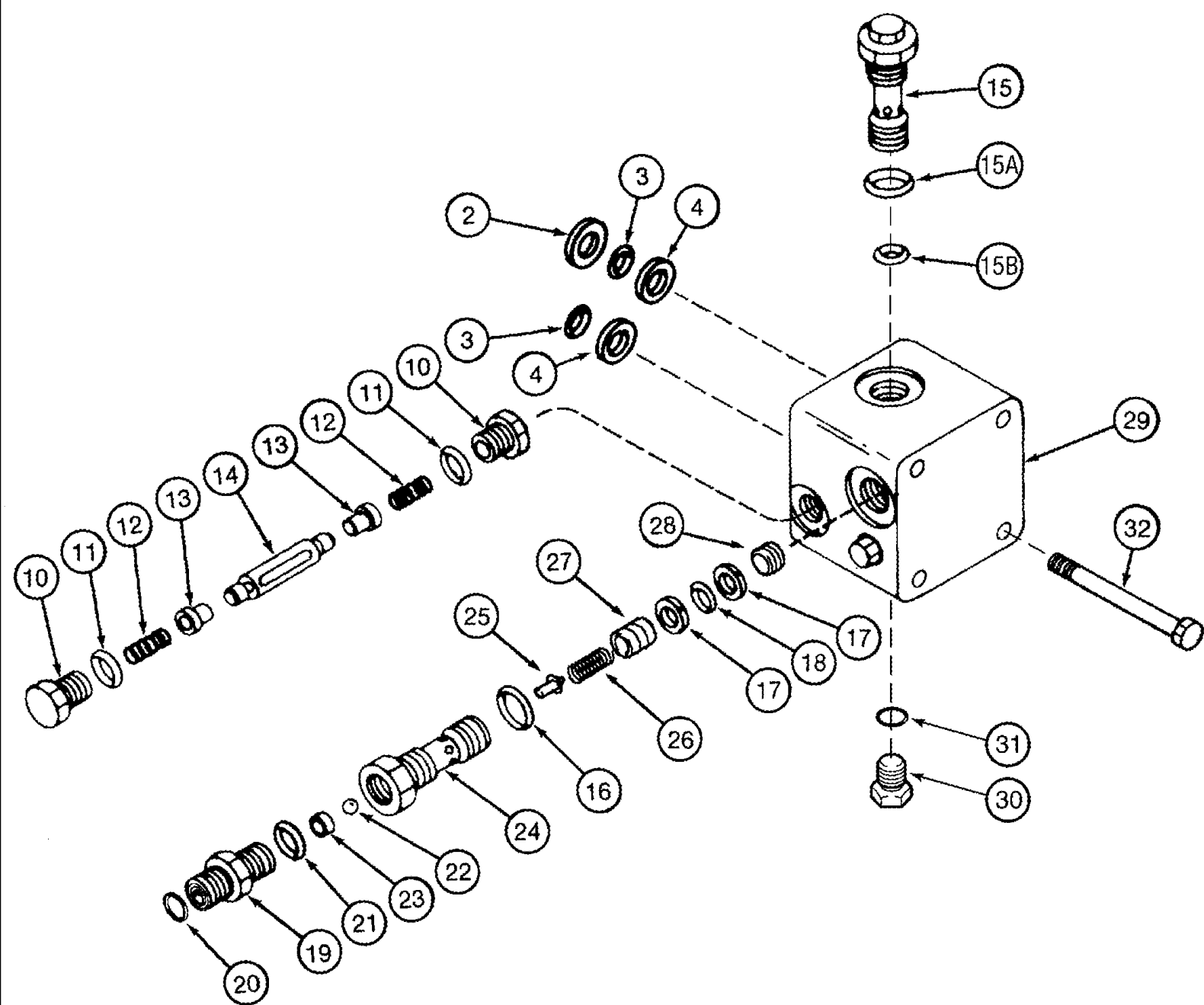
2388 CASE IH AXIAL-FLOW COMBINE (RU) ASN HAJ0300001 (10/06-)

06-12 MOTOR ASSY - HYDROSTATIC - SINGLE SPEED

Ref	Part Number	Qty	Description
49	61-33148	2	SCREW, Hex Soc Hd, 5/16"-18 x 3",
50	92734C1	2	WASHER,
51	R55912	2	COUPLING,
52	237-6004	2	O-RING, 4-1, 90 Duro, .351" ID x .072" Thk,
53	H434163	2	DUST CAP,
56	628-12040	4	BOLT, Hex, M12 x 40, 10.9, Full Thd,
58	896-11012	4	WASHER, M13.5 x 24.5 x 3, HT,
59	166506C1	1	GASKET,

Corn and Grain Combine

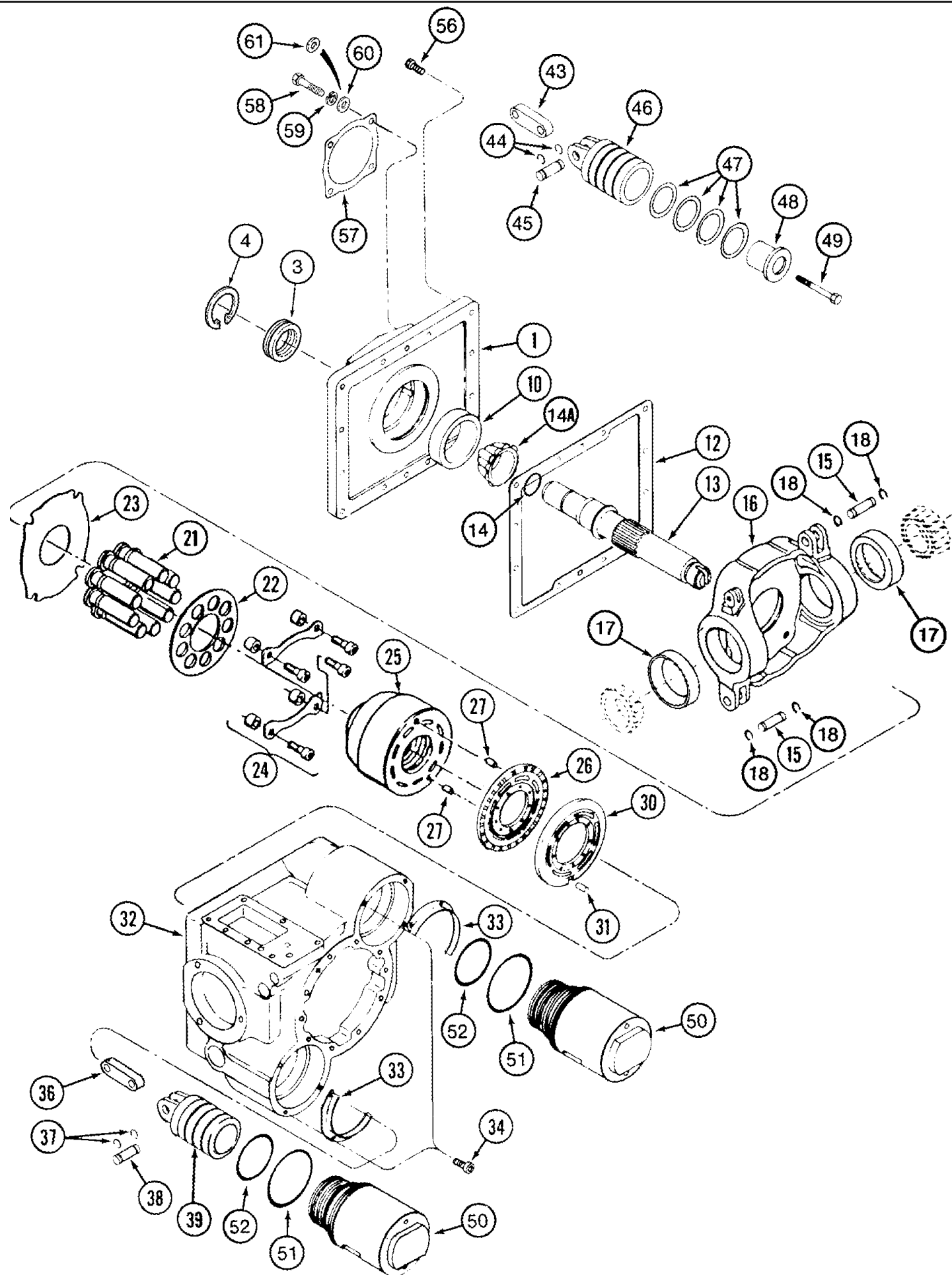
06-13 MOTOR ASSY - HYDROSTATIC - RELIEF VALVE BLOCK



06-13 MOTOR ASSY - HYDROSTATIC - RELIEF VALVE BLOCK

Ref	Part Number	Qty	Description
	REF	1	INSTRUCTION, Motor, Hydrostatic, See Figure(s) 06-12 - 06-16
	193646A2	1	BLOCK, Relief Valve, Inc. 2 - 31
	140747C92	1	KIT, SEALS, Seal, Valve Block, Inc. 2 - 4
2	239-5018	1	O-RING, Rect, .755" ID x .875" OD, CI 5,
3	238-6018	2	O-RING, -018, 90 Duro, .739" ID x .070" Thk,
4	631458C1	2	RING,
	145559C91	1	KIT, Shuttle Valve, Inc. 10 - 14
10	86512512	2	PLUG, Hex Hd, 7/8"-14 ORB, Incl. 11
11	237-6010	2	O-RING, 10-1, 90 Duro, .755" ID x .097" Thk,
12	145560C1	2	SPRING,
13	NSS	2	NOT SERVICED SEPARATELY, Valve, Regulator, Shuttle
14	NSS	1	NOT SERVICED SEPARATELY, Spool
15	140761C1	1	VALVE, PRESSURE RELIEF, Low Pressure Relief, Inc. 15A, 15B
15A	237-6014	1	O-RING, 14-1, 90 Duro, 1.048" ID x .118" Thk,
15B	238-6117	1	O-RING, -117, 90 Duro, .799" ID x .103" Thk,
	193647A1	2	VALVE, PRESSURE RELIEF, Kit, Feathering Relief, Inc. 393885R92, 222167A1, REF 16 - 22
	393885R92	3	KIT, SEALS, Relief Valve, Inc. 16 - 18
16	NSS	1	NOT SERVICED SEPARATELY, O-Ring
17	NSS	2	NOT SERVICED SEPARATELY, Ring, Backup
18	NSS	1	NOT SERVICED SEPARATELY, O-Ring
	222167A1	1	KIT, REPAIR, Check Valve, Inc. 19 - 22
19	NSS	1	NOT SERVICED SEPARATELY, Connector
20	238-6011	1	O-RING, -011, 90 Duro, .301" ID x .070" Thk,
21	237-6004	1	O-RING, 4-1, 90 Duro, .351" ID x .072" Thk,
22	211-1008	1	BALL, 1/4" Dia, 24,CRS
23	NSS	1	NOT SERVICED SEPARATELY, Bushing, Ball Guide
24	NSS	1	NOT SERVICED SEPARATELY, Housing
25	NSS	1	NOT SERVICED SEPARATELY, Orifice
26	NSS	1	NOT SERVICED SEPARATELY, Spring
27	NSS	1	NOT SERVICED SEPARATELY, Piston
28	NSS	1	NOT SERVICED SEPARATELY, Plug
29	NSS	1	NOT SERVICED SEPARATELY, Block
30	9672438	1	PLUG, Hex Hd, 7/16"-20 ORB, Incl. 1
31	237-6004	1	O-RING, 4-1, 90 Duro, .351" ID x .072" Thk,
32	413-664	4	BOLT, Hex, 3/8"-16 x 4", G5,

06-14 MOTOR ASSY - HYDROSTATIC - TWO SPEED



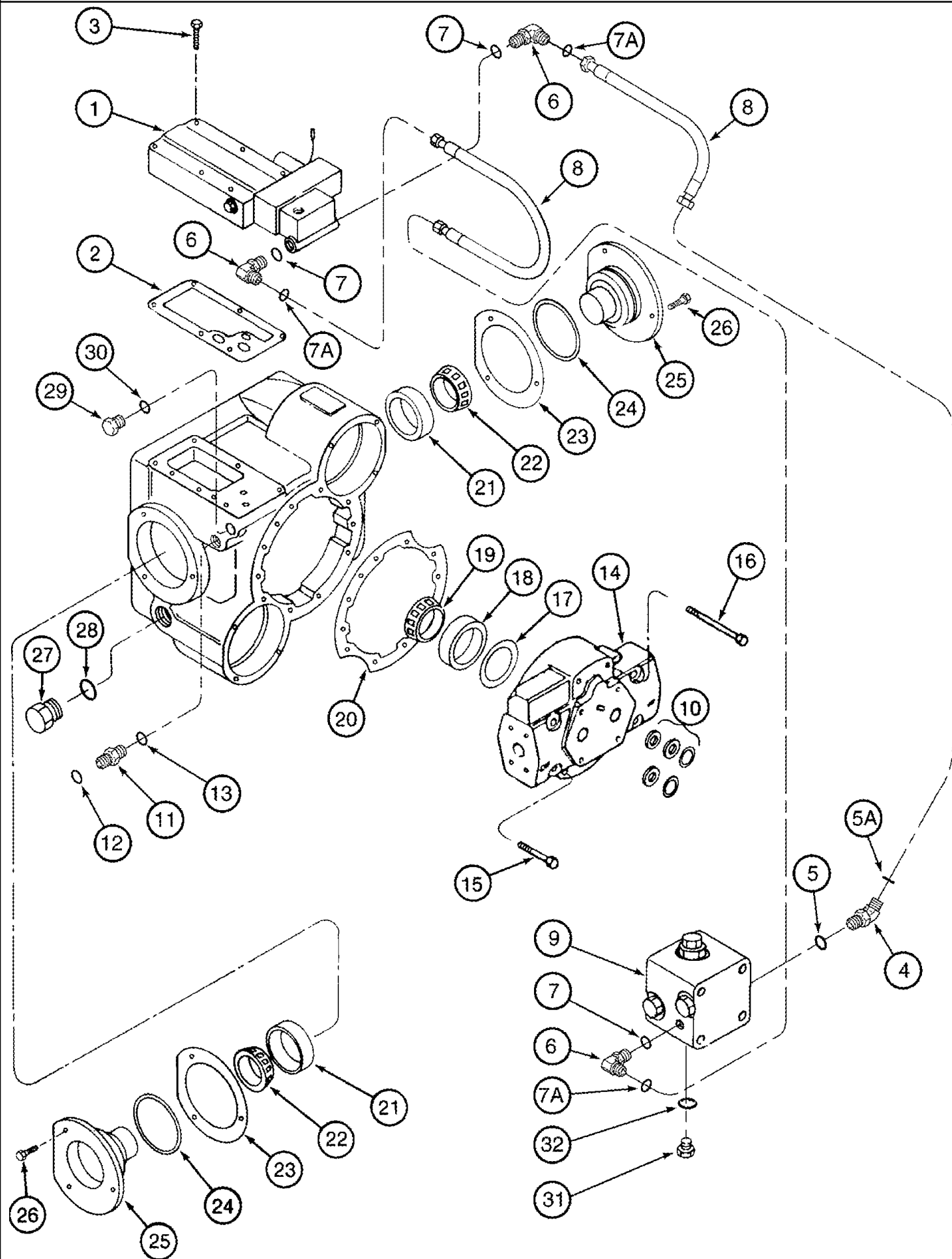
06-14 MOTOR ASSY - HYDROSTATIC - TWO SPEED

Ref	Part Number	Qty	Description
	400476A2R	1	REMAN-MOTOR HYDRAUL, N.A. Only
	400476A2C	1	REMAN-MOTOR HYDRAUL, Use To Return Core For Credit
	400476A2	1	MOTOR, HYDROSTATIC, Inc. 1 - 56, Inc. Figure 06-15, Part Number Stamped On Part
1	NSS	1	NOT SERVICED SEPARATELY, Flange
	403145A1	1	SEAL, Shaft, Inc. 3, 4
3	NSS	1	NOT SERVICED SEPARATELY, Seal
4	100-21250	1	RING, SNAP, 2.50", Int, #250,
10	ST863	1	BEARING, CUP,
12	142399C1	1	GASKET,
13	403147A1	1	SHAFT, Output, Inc. 14, 14A
14	NSS	4	NOT SERVICED SEPARATELY, No. 200, Ring, Retaining
14A	NSS	1	NOT SERVICED SEPARATELY, Bearing, Cone
15	140766C1	2	PIN,
16	NSS	1	NOT SERVICED SEPARATELY, Plate, Swash
17	NSS	2	NOT SERVICED SEPARATELY, Bearing, Cup
18	100-1356	4	RING, SNAP, #56, Ext,
21	NSS	9	NOT SERVICED SEPARATELY, Piston
22	NSS	1	NOT SERVICED SEPARATELY, Plate
23	NSS	1	NOT SERVICED SEPARATELY, Plate
24	NSS	1	NOT SERVICED SEPARATELY, Kit
25	NSS	1	NOT SERVICED SEPARATELY, Barrel
26	NSS	1	NOT SERVICED SEPARATELY, Plate
27	37-1510	2	DOWEL, 5/16" x 5/8",
30	NSS	1	NOT SERVICED SEPARATELY, Plate, Valve
31	37-1510	1	DOWEL, 5/16" x 5/8",
32	NSS	1	NOT SERVICED SEPARATELY, Housing, Motor
33	142408C1	2	RETAINER,
34	461-3086	6	SCREW, Hex Soc Hd, #8-32 x 3/8",
36	NSS	1	NOT SERVICED SEPARATELY, Link
37	100-1375	2	RING, SNAP, #75, Ext,
38	NSS	1	NOT SERVICED SEPARATELY, Pin
39	NSS	1	NOT SERVICED SEPARATELY, Piston
	145308C1	1	PISTON, Servo, Inc. 43 - 49
43	NSS	1	NOT SERVICED SEPARATELY, Link
44	100-1375	2	RING, SNAP, #75, Ext,
45	NSS	1	NOT SERVICED SEPARATELY, Pin
46	NSS	1	NOT SERVICED SEPARATELY, Piston
47	NSS	4	NOT SERVICED SEPARATELY, Shim
48	NSS	1	NOT SERVICED SEPARATELY, Spacer
49	413-540	1	BOLT, Hex, 5/16"-18 x 2 1/2", G5,
50	NSS	2	NOT SERVICED SEPARATELY, Sleeve Assy, Servo, Inc. 51, 52
51	238-5237	2	O-RING, -237, 70 Duro, 3.359" ID x .139" Thk,
52	238-5234	2	O-RING, -234, 70 Duro, 2.984" ID x .139" Thk,

06-14 MOTOR ASSY - HYDROSTATIC - TWO SPEED

Ref	Part Number	Qty	Description
56	413-720	12	BOLT, Hex, 7/16"-14 x 1 1/4", G5,
57	166506C1	1	GASKET,
58	828-12045	4	BOLT, Hex, M12 x 45, 10.9, Full Thd,
61	396-41053	4	WASHER, 17/32" x 1 1/4" x .188", HDN,

06-15 MOTOR ASSY - HYDROSTATIC - TWO SPEED

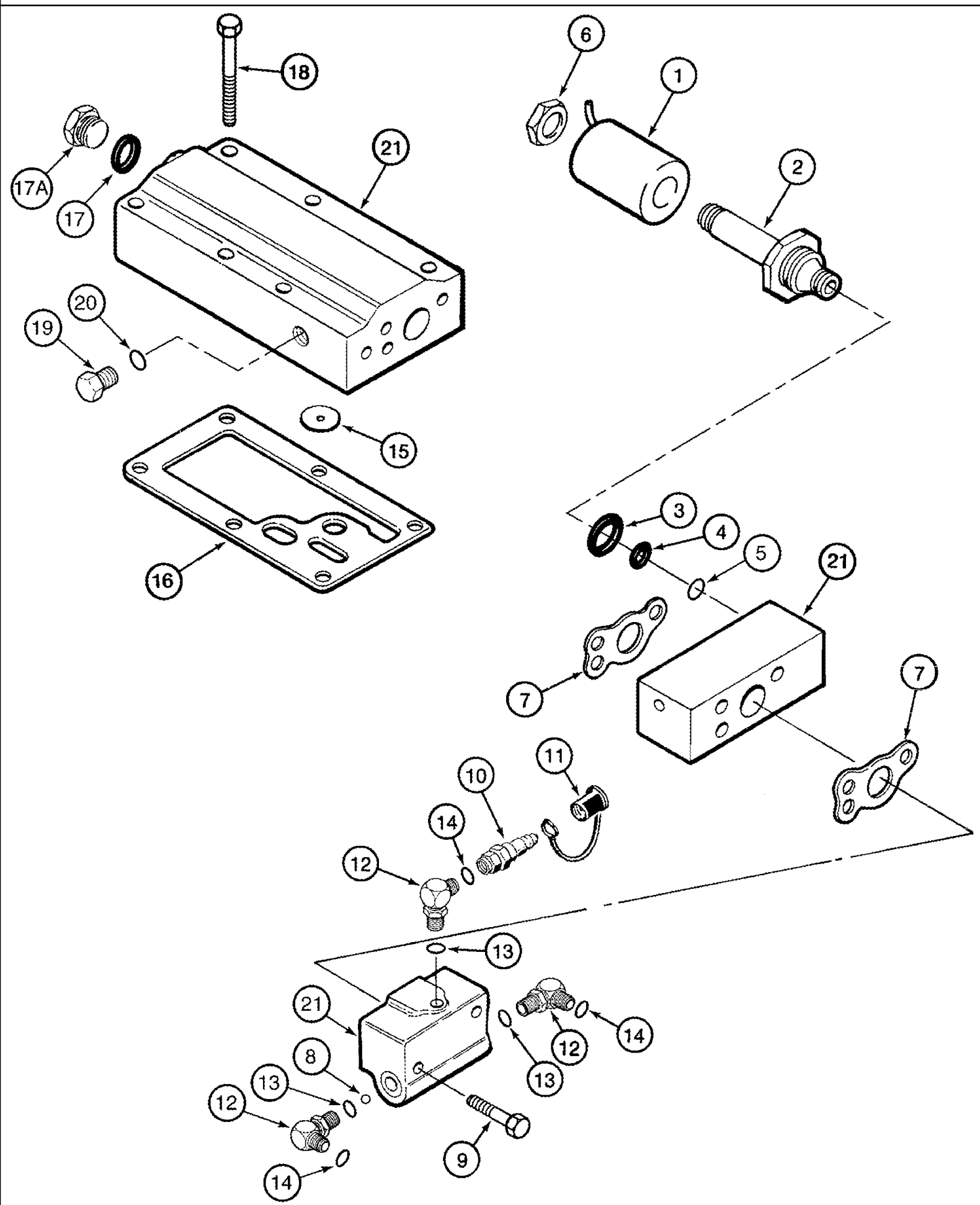


06-15 MOTOR ASSY - HYDROSTATIC - TWO SPEED

Ref	Part Number	Qty	Description
	400476A2	1	MOTOR, HYDROSTATIC, 89.13 cc, Inc. 1 - 32, Inc. Figure 06-14, Part Number Stamped On Part
1	255825A1	1	KIT, REPAIR, , See Figure 06-14
2	145337C1	1	GASKET,
3	413-528	6	BOLT, Hex, 5/16"-18 x 1 3/4", G5,
4	201-331	1	ELBOW, 45e, 9/16"-18 x 7/16"-20. Adj, ORFS, Inc. 5, 5A
5	237-6004	1	O-RING, 4-1, 90 Duro, .351" ID x .072" Thk,
5A	238-6011	1	O-RING, -011, 90 Duro, .301" ID x .070" Thk,
6	201-303	3	ELBOW, 90e, 9/16"-18 x 7/16"-20 Adj, ORFS, Inc. 7, 7A
7	237-6004	1	O-RING, 4-1, 90 Duro, .351" ID x .072" Thk,
7A	238-6011	1	O-RING, -011, 90 Duro, .301" ID x .070" Thk,
8	192384A1	2	HOSE, 254 mm (10 in), Valve to Block, One 90 Degree Hose End and One Straight Hose End
9	193646A2	1	BLOCK, Relief Valve, See Figure 06-13
10	140747C92	1	KIT, SEALS, , See Figure 06-12
11	201-100	1	CONNECTOR, HYD., 9/16"-18 ORFS x 7/16"-20 ORB, Inc. 12, 13
12	238-6011	1	O-RING, -011, 90 Duro, .301" ID x .070" Thk,
13	237-6004	1	O-RING, 4-1, 90 Duro, .351" ID x .072" Thk,
14	NSS	1	NOT SERVICED SEPARATELY, Housing, End Cover
15	426-732	2	BOLT, Hex, 7/16"-14 x 2", G8,
16	413-748	6	BOLT, Hex, 7/16"-14 x 3", G5,
	142398C91	1	KIT, SHIM, Inc. 17
17	NSS	1	NOT SERVICED SEPARATELY, Shim, 0.003 in
17	NSS	1	NOT SERVICED SEPARATELY, Shim, 0.005 in
17	NSS	1	NOT SERVICED SEPARATELY, Shim, 0.010 in
17	NSS	1	NOT SERVICED SEPARATELY, Shim, 0.015 in
17	NSS	1	NOT SERVICED SEPARATELY, Shim, 0.020 in
17	NSS	1	NOT SERVICED SEPARATELY, Shim, 0.030 in
18	530741R1	1	BEARING, CUP, 2-17/32 OD, Output Shaft
19	400983R91	1	BEARING, CONE, 1-3/16 ID, Output Shaft
20	92741C2	1	GASKET,
21	NSS	2	NOT SERVICED SEPARATELY, Bearing, Cup, Trunnion
22	NSS	2	NOT SERVICED SEPARATELY, Bearing, Cone, Trunnion
	142386C91	1	KIT, SHIM, Inc. 23
23	NSS	6	NOT SERVICED SEPARATELY, Shim, 0.002 in
23	NSS	4	NOT SERVICED SEPARATELY, Shim, 0.005 in
23	NSS	4	NOT SERVICED SEPARATELY, Shim, 0.010 in
23	NSS	4	NOT SERVICED SEPARATELY, Shim, 0.015 in
23	NSS	4	NOT SERVICED SEPARATELY, Shim, 0.025 in
24	238-5234	2	O-RING, -234, 70 Duro, 2.984" ID x .139" Thk,
25	NSS	2	NOT SERVICED SEPARATELY, Trunnion, Motor
26	413-714	6	BOLT, Hex, 7/16"-14 x 7/8", G5, Full Thd,
27	218-5158	1	PLUG, Hex Hd, 1 1/16"-12 ORB, Inc. 28
28	237-6012	1	O-RING, 12-1, 90 Duro, .924 ID x .118" Thk,
29	278548	1	PLUG, Hex Soc, 7/16"-20 ORB, Incl. 30

06-15 MOTOR ASSY - HYDROSTATIC - TWO SPEED

Ref	Part Number	Qty	Description
30	237-6004	1	O-RING, 4-1, 90 Duro, .351" ID x .072" Thk,
31	9672438	1	PLUG, Hex Hd, 7/16"-20 ORB, Incl. 32
32	237-6004	1	O-RING, 4-1, 90 Duro, .351" ID x .072" Thk,

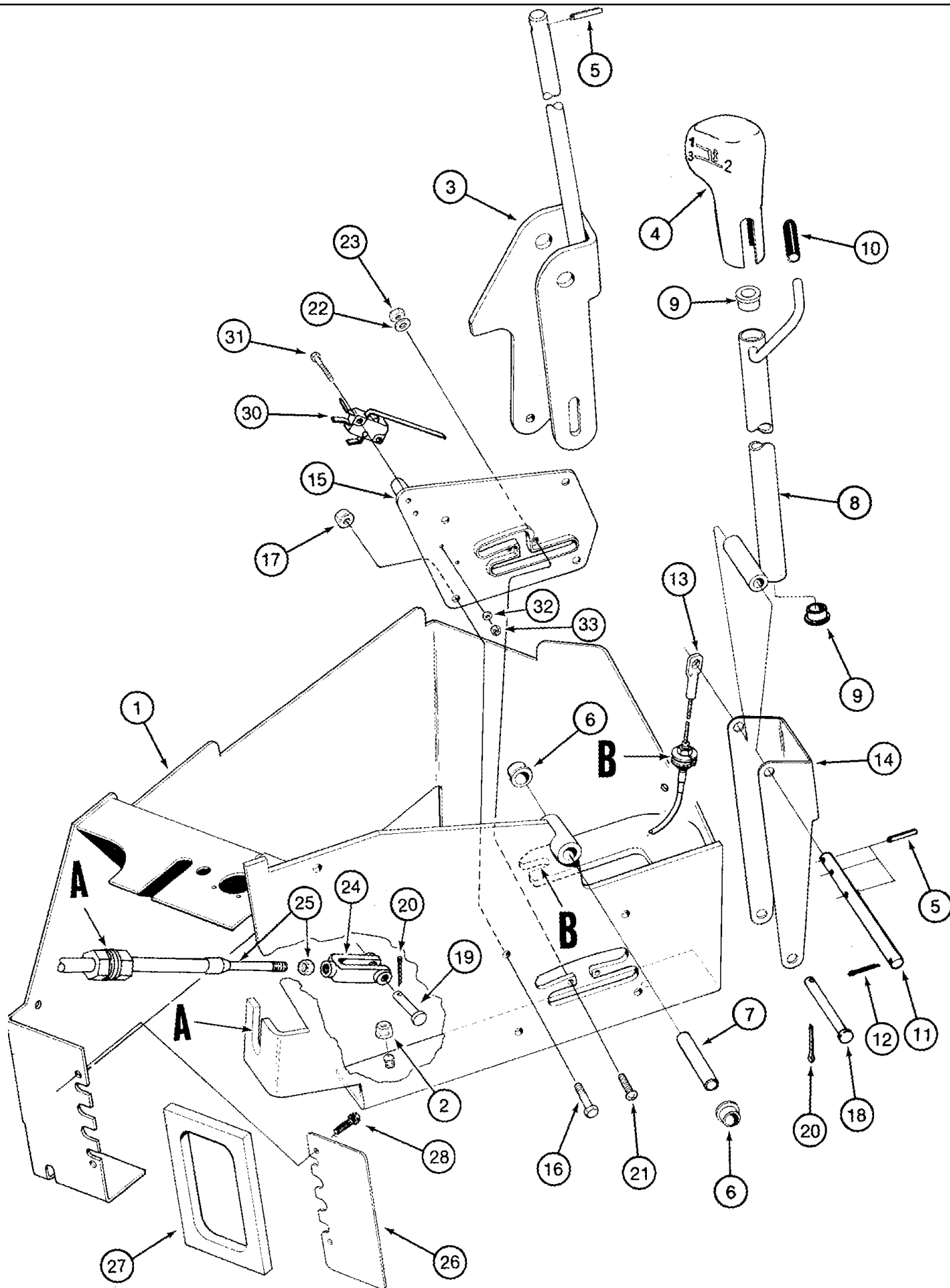


06-16 MOTOR ASSY - HYDROSTATIC - CONTROL VALVE - TWO SPEED

Ref	Part Number	Qty	Description
	REF	1	INSTRUCTION, Motor, Hydrostatic, See Figure(s) 06-12 - 06-13
	255825A1	1	KIT, REPAIR, Inc. 1 - 21
	244387A1	1	VALVE, Inc. 1 - 6
1	230594A1	1	SOLENOID,
2	255834A1	1	CARTRIDGE,
	1542831C1	1	KIT, SEALS, Inc. 3 - 5
3	NSS	1	NOT SERVICED SEPARATELY, O-Ring
4	NSS	1	NOT SERVICED SEPARATELY, O-Ring
5	NSS	1	NOT SERVICED SEPARATELY, Ring, Backup
6	298986A1	1	NUT, 1/2 NF
	92649C1	1	KIT, Inc. 7 - 9
7	1272954C1	2	GASKET,
8	211-1012	1	BALL, 3/8" Dia, 24,CRS
9	413-560	2	BOLT, Hex, 5/16"-18 x 3 3/4", G5,
10	190117A1	1	COUPLING, Diagnostic, Inc. 11
11	H434163	1	DUST CAP,
12	413432A1	3	ELBOW, 9/16 fc x 7/16 Or, Inc. 13, 14
13	237-6004	1	O-RING, 4-1, 90 Duro, .351" ID x .072" Thk,
14	238-6011	1	O-RING, -011, 90 Duro, .301" ID x .070" Thk,
15	255843A1	1	PORT,
16	145337C1	1	GASKET,
17	237-6010	1	O-RING, 10-1, 90 Duro, .755" ID x .097" Thk,
17A	NSS	1	NOT SERVICED SEPARATELY, Cap
18	413-528	6	BOLT, Hex, 5/16"-18 x 1 3/4", G5,
19	9672438	1	PLUG, Hex Hd, 7/16"-20 ORB, Incl. 20
20	237-6004	1	O-RING, 4-1, 90 Duro, .351" ID x .072" Thk,
21	NSS	1	NOT SERVICED SEPARATELY, Body

Corn and Grain Combine

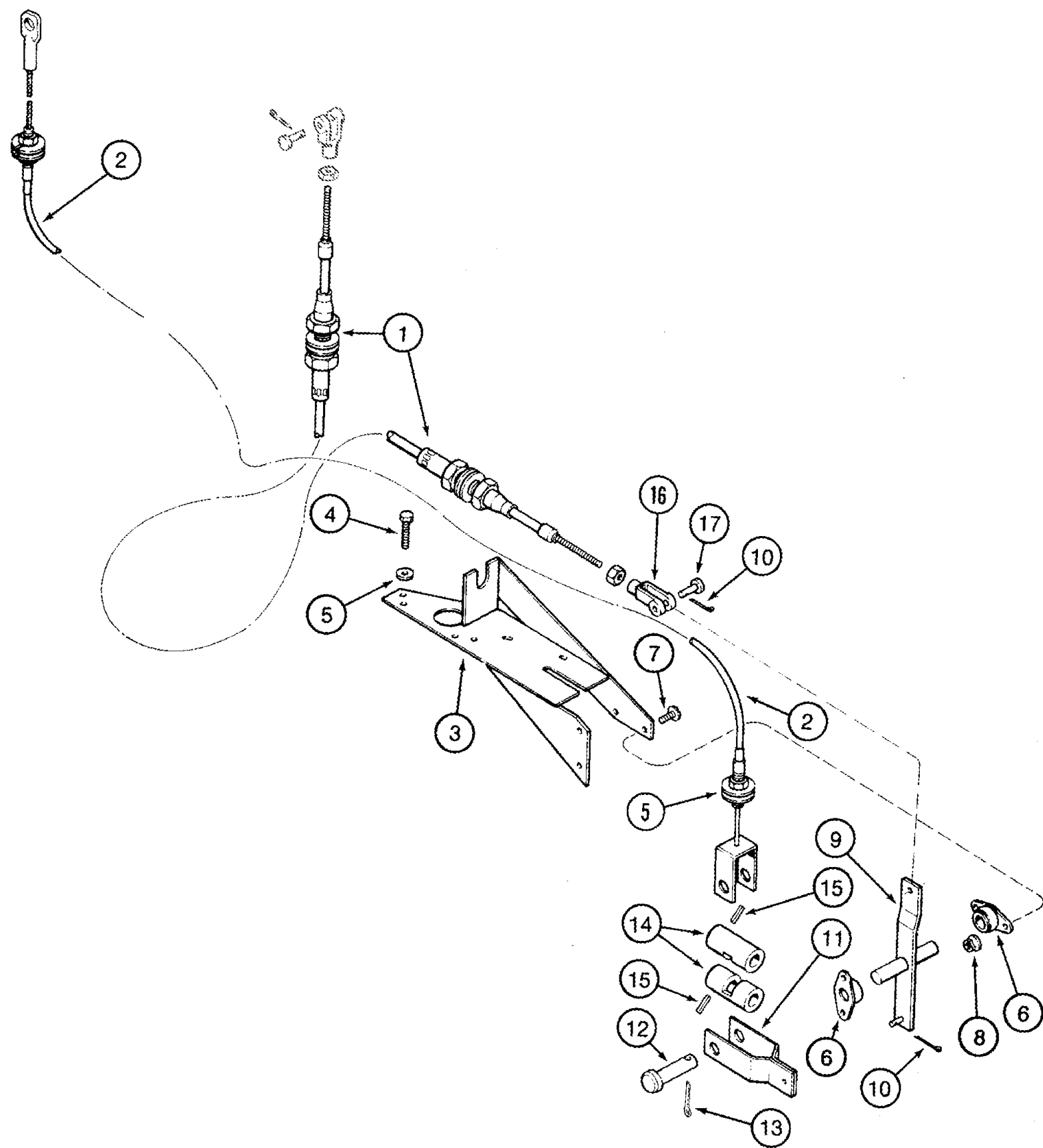
06-17 CONTROLS - TRANSMISSION UPPER SHIFT



06-17 CONTROLS - TRANSMISSION UPPER SHIFT

Ref	Part Number	Qty	Description
1	87597486	1	BRACKET,
2	825-5148	4	NUT, M8, Flg Ser,
3	122751A3	1	LEVER, Transmission Shift, 2nd and 3rd Speed
4	122205A3	1	HANDLE,
5	838-1428	4	PIN, LOCK, M4 x 28, Slotted,
6	S115001	2	BEARING,
7	122199A1	1	PIN, PIVOT,
	197971A2	1	TUBE, Transmission Shift, 1st Speed, Inc. 8, 9
8	NSS	1	NOT SERVICED SEPARATELY, Tube
9	90-4368T1	2	BUSHING,
10	125803A1	1	SLEEVE,
11	122197A2	1	SPLIT PIN/SAFETY PIN,
12	432-612	3	PIN, SPLIT (COTTER), 3/32" x 3/4",
13	115398A1	1	CABLE, 3209 mm (126 in), Transmission Shift, 1st Speed
14	124714A2	1	SUPPORT,
15	122757A3	1	GUIDE,
16	614-6020	4	BOLT, Hex, M6 x 20, 8.8,
17	825-5146	4	NUT, M6, Flg Ser,
18	427-6325	1	PIN, CLEVIS, 3/8" x 3 1/4",
19	427-5094	1	PIN, CLEVIS, 5/16" x .940",
20	432-612	2	PIN, SPLIT (COTTER), 3/32" x 3/4",
21	840-1420	2	SCREW, Cross Pan Hd, M4 x 20,
22	895-11004	2	WASHER, M4,
23	824-1404	2	NUT, M4, CI 5,
24	213-125	1	CLEVIS, ADJUSTABLE, 5/16"-24,
25	115397A1	1	CABLE, Transmission Shift, 2nd and 3rd Speed
26	122750A1	1	PLATE,
27	122758A1	1	GASKET, No Longer Used
28	191216A1	2	SCREW, SELF TAPPING, Hex Wash Hd, #10-24 x 5/8",
30	60-6515T1	1	SWITCH, Third Gear Lockout, See Figure 04-11
31	463-10412	2	SCREW, Hex Hd, #4-40 x 3/4",
32	495-31022	2	WASHER, #10,
33	225-14104	2	NUT, #4-40,

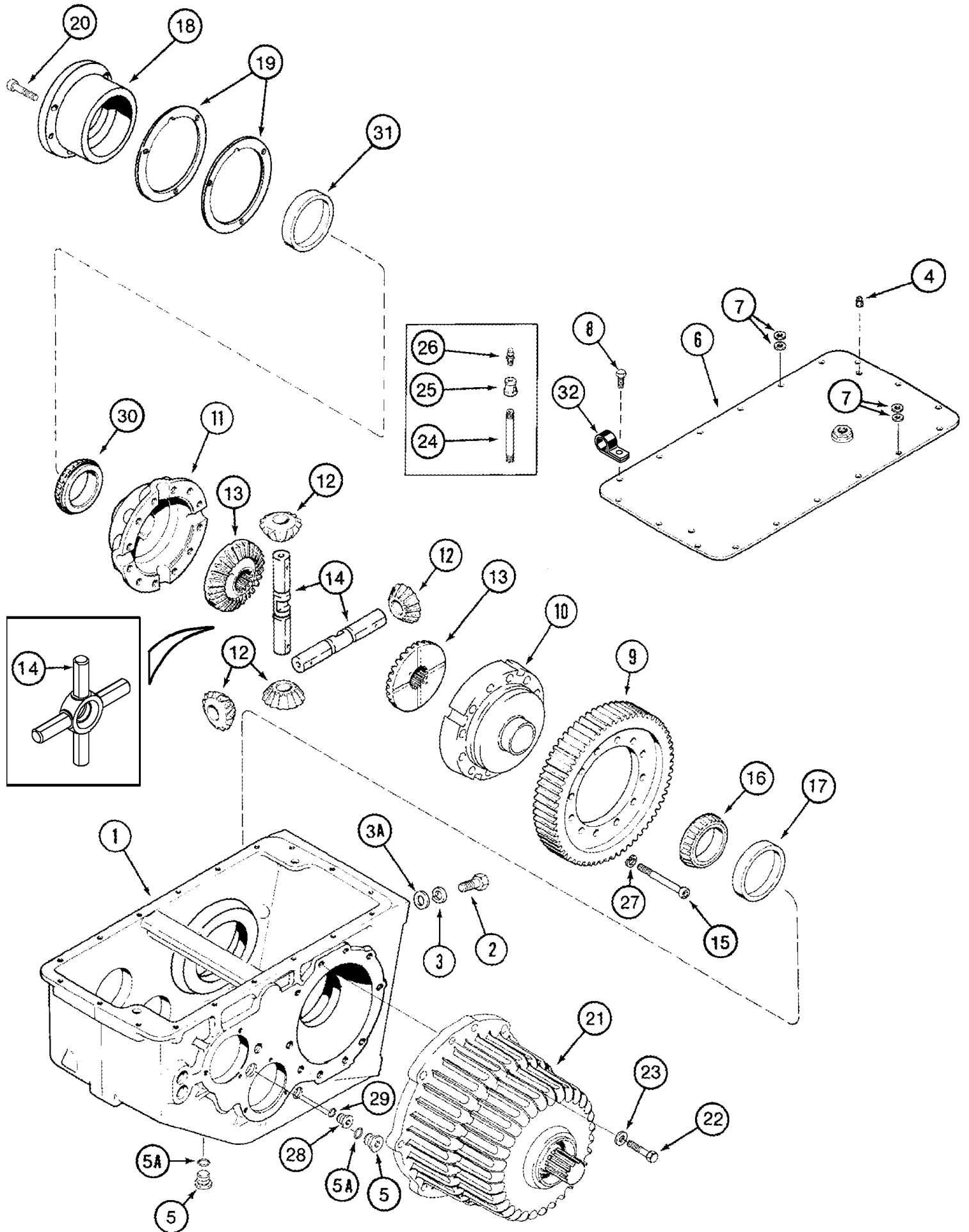
06-18 CONTROLS - TRANSMISSION LOWER SHIFT



06-18 CONTROLS - TRANSMISSION LOWER SHIFT

Ref	Part Number	Qty	Description
1	115397A1	1	CABLE, Transmission Shift, 2nd and 3rd Speed
2	115398A1	1	CABLE, 3209 mm (126 in), Transmission Shift, 1st Speed
3	181376A1	1	SUPPORT,
4	614-10030	3	BOLT, Hex, M10 x 30, 8.8,
5	895-11010	3	WASHER, M10 x 20 x 2,
6	87364072	2	BEARING,
7	477-73112	4	BOLT, Slotted Tr Hd, 5/16"-18 x 3/4",
8	231-5145	4	NUT, Flg, USR, 5/16"-18,
9	143588A1	1	LEVER,
10	432-612	2	PIN, SPLIT (COTTER), 3/32" x 3/4",
11	194437C1	1	LINK, Shift Rail Control
12	439-51240	1	PIN, HEADED, 3/4" x 2 1/2",
13	432-1624	1	PIN, SPLIT (COTTER), 1/4" x 1 1/2",
14	192689C1	2	PIN,
15	38-31620	2	PIN, 1/4" x 1 1/4", Coiled,
16	213-125	1	CLEVIS, ADJUSTABLE, 5/16"-24,
17	427-5094	1	PIN, CLEVIS, 5/16" x .940",

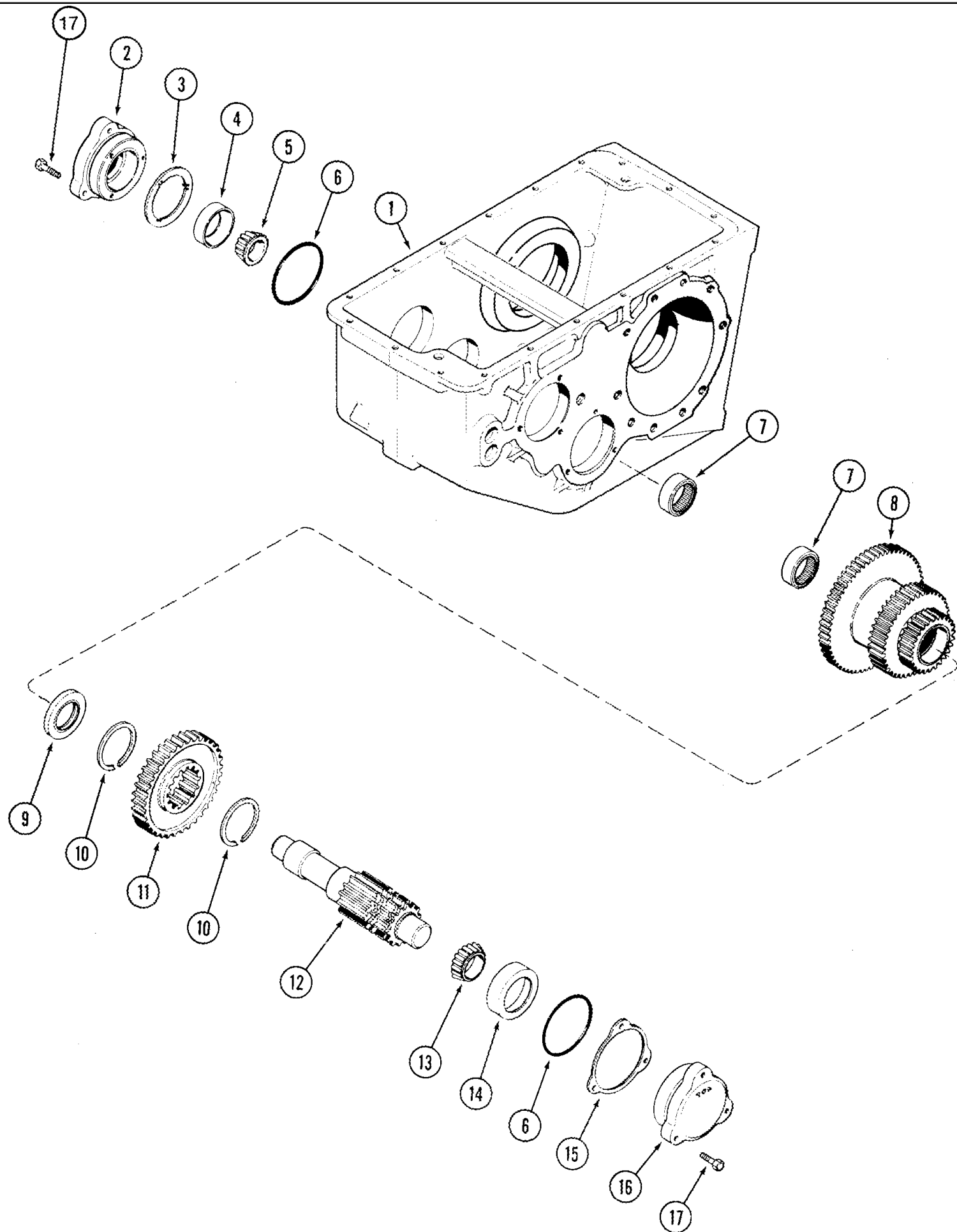
06-19 TRANSMISSION ASSY - HOUSING AND DIFFERENTIAL



06-19 TRANSMISSION ASSY - HOUSING AND DIFFERENTIAL

Ref	Part Number	Qty	Description
	87393461	1	TRANSMISSION, 37/35 Change Gears, Inc. 1 - 31, Also Inc. Parts On Figure(s) 06-20, 06-21, Corn and Grain Combine
	87393465	1	TRANSMISSION, 34/38 Change Gears, Inc. 1 - 31, Also Inc. Parts On Figure(s) 06-20, 06-21, Rice Combine
1	236715A1	1	HOUSING,
2	627-16050	4	BOLT, Hex, M16 x 50, 10.9,
3	892-16016	4	WASHER, M16, Hvy,
3A	896-11016	4	WASHER, M17.5 x 30 x 4, HT,
4	217-433	2	PLUG, Hex Soc, 1/4"-18 NPTF,
5	9841223	2	PLUG, Hex Soc, 1 1/16"-12 ORB, Incl. 5A
5A	237-6012	1	O-RING, 12-1, 90 Duro, .924 ID x .118" Thk,
6	239456A1	1	COVER, Housing, Use Loctite No. 596, 1 ml
7	396-21041	4	WASHER, 13/32" x 13/16" x .09", HDN, If Required
8	613-10020	18	BOLT, Hex, M10 x 20, 8.8, Full Thd,
9	87354342	1	GEAR, 66T, Differential
	236380A1	1	HOUSING, Differential, Inc. 10, 11
10	NSS	1	NOT SERVICED SEPARATELY, Housing, Right Hand
11	NSS	1	NOT SERVICED SEPARATELY, Housing, Left Hand
12	361061R3	4	PINION, 15T, Pinion
13	236377A1	2	GEAR, BEVEL, 28T
14	197469A1	2	SHAFT, Two Pieces Required
14	393637R2	1	SPIDER, DIFF., Replaces 197469A1
15	230447A1	12	SCREW, M16 x 90; 10.9
16	ST2096	1	BEARING, CONE,
17	ST981	1	BEARING SET,
18	1997956C2	1	CAGE,
19	1997957C1	AR	SHIM, 0.813 mm
19	1997958C2	AR	SHIM, 0.127 mm
19	1997947C2	AR	SHIM, 0.076 mm
20	863-10025	5	SCREW, Hex Soc Hd, M10 x 25, 12.9,
21	236388A1	2	BRAKE ASSY., Master, See Figure 07-03
22	963-12040	20	SCREW, Hex Soc Hd, M12 x 40, 10.9,
23	896-11012	20	WASHER, M13.5 x 24.5 x 3, HT,
24	121210	1	PIPE, Nipple, 1/4" NPT x 4 1/2",
25	144098	1	REDUCER, Housing Cover
26	219-434	1	BREATHER, 1/8"-27 NPT, Short, w/washer, Transmission Case Oil
27	896-12016	12	WASHER, M17.5 x 30 x 4, HT,
28	86625138	1	PLUG, Hex Soc, 7/8"-14 ORB, Includes 29
29	218-5007	1	O-RING, 10-1, 90 Duro, .755" ID x .097" Thk,
30	ST2133	1	BEARING, ROLLER, TAPERED,
31	ST990	1	CUP,
32	516-23127	3	CLAMP, J, 9/16" Insul, 3/8" Bolt,

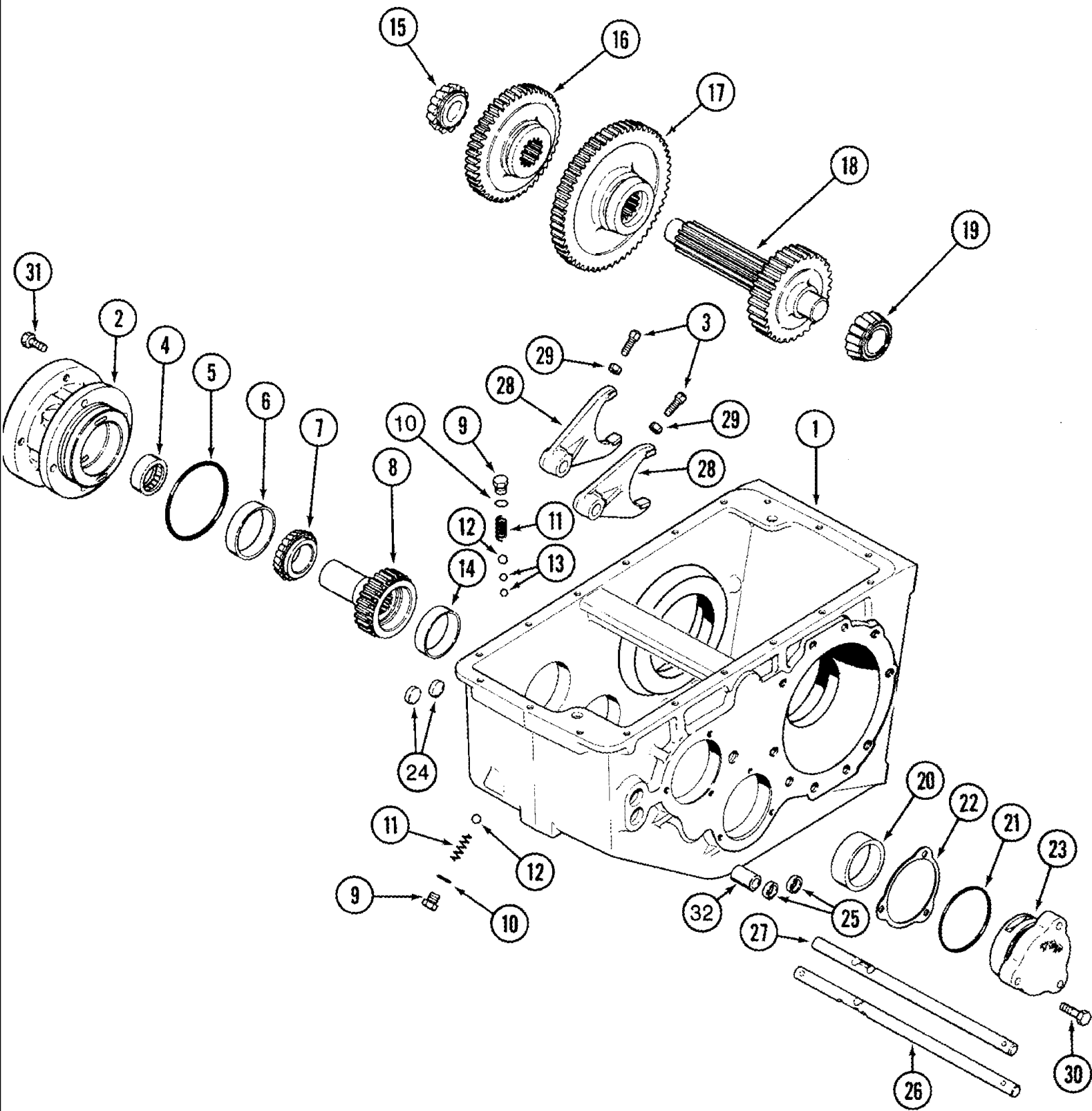
06-20 TRANSMISSION ASSY - DIFFERENTIAL PINION SHAFT AND GEARS



06-20 TRANSMISSION ASSY - DIFFERENTIAL PINION SHAFT AND GEARS

Ref	Part Number	Qty	Description
	87393461	1	TRANSMISSION, 37/35 Change Gears, Inc. 1 - 17, Also Inc. Parts On Figure(s) 06-19, 06-21, Corn and Grain Combine
	87393465	1	TRANSMISSION, 34/38 Change Gears, Inc. 1 - 17, Also Inc. Parts On Figure(s) 06-19, 06-21, Rice Combine
1	REF	1	INSTRUCTION, Housing, See Figure 06-19, REF 1
2	1997933C1	1	HOUSING, BEARING, Left Hand
3	530704R2	1	WASHER,
4	131312C1	1	BEARING, CUP, Left Hand Pinion Shaft
5	131311C91	1	BEARING, CONE,
6	238-7154	2	O-RING, -154, CI 7, 3.737" ID x .103" Thk,
7	675708R91	2	BEARING, NEEDLE,
8	87305298	1	GEAR, 59T, 39T, 27T
9	401879R1	1	SPACER,
10	196693H1	2	RING,
11	1997649C1	1	PINION, 35T, Change Driven, Corn and Grain Combine
11	1349045C1	1	PINION, 38T, Change Driven, Rice Combine
12	87354341	1	AXLE, 14T
13	57862H	1	BEARING, CONE,
14	57861H	1	BEARING, CUP,
14	ST951	1	BEARING, CUP,
15	401883R2	AR	SHIM, 0.076 mm (0.003 in)
15	401884R2	AR	SHIM, 0.127 mm (0.005 in)
15	401885R2	AR	SHIM, 0.178 mm (0.007 in)
15	184195C2	AR	SHIM, 0.762 mm (0.030 in)
16	1997984C1	1	HOUSING, BEARING, Right Hand
17	628-10035	6	BOLT, Hex, M10 x 35, 10.9, Full Thd, , Use 345-181 Loctite No. 516, 1ml

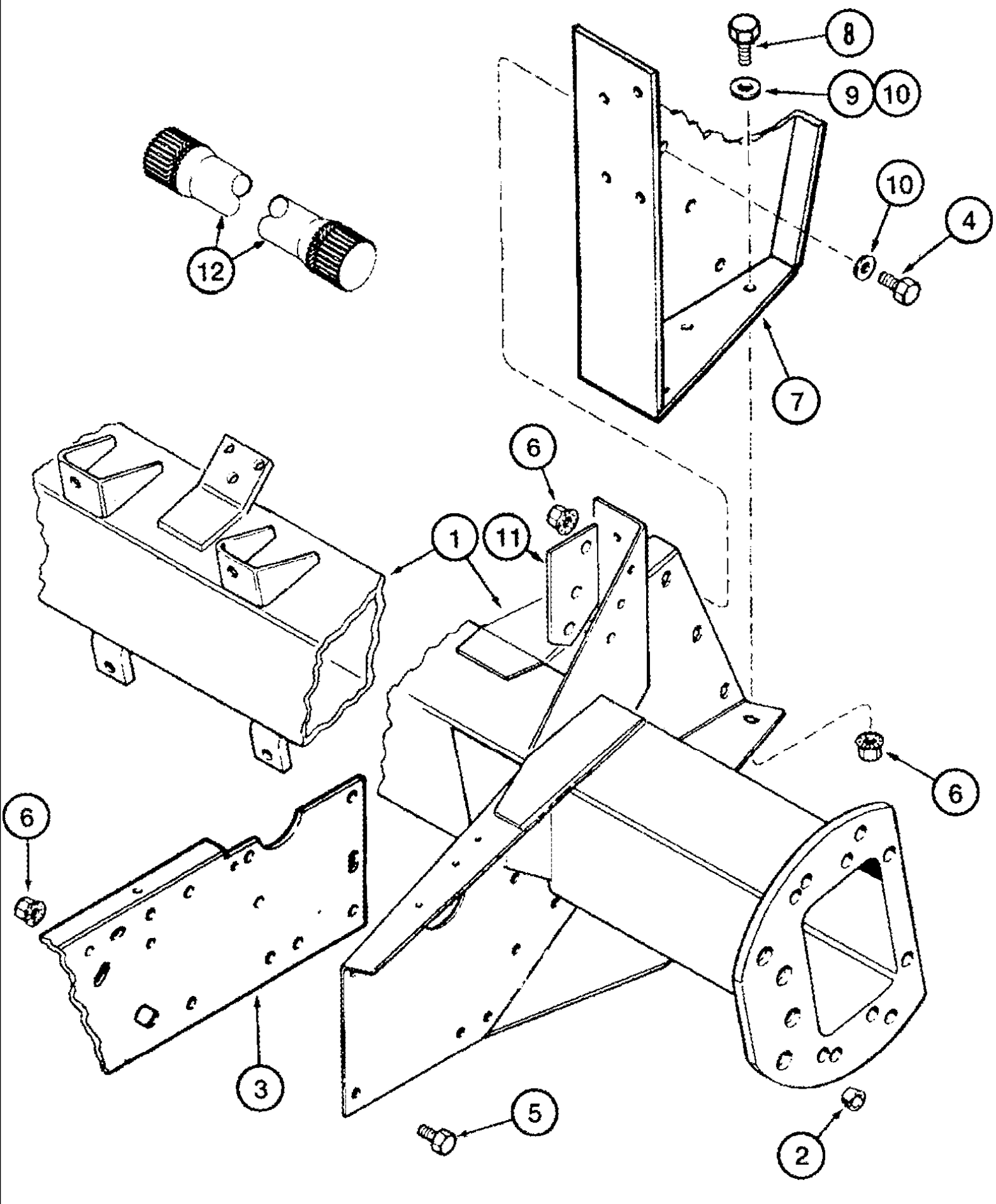
06-21 TRANSMISSION ASSY - INPUT SHAFT, GEARS AND SHIFTER RAILS



06-21 TRANSMISSION ASSY - INPUT SHAFT, GEARS AND SHIFTER RAILS

Ref	Part Number	Qty	Description
	87393461	1	TRANSMISSION, 37/35 Change Gears, Inc. 1 - 32, Also Inc. Parts On Figure(s) 06-19, 06-20, Corn and Grain Combine
	87393465	1	TRANSMISSION, 34/38 Change Gears, Inc. 1 - 32, Also Inc. Parts On Figure(s) 06-19, 06-20, Rice Combine
1	REF	1	INSTRUCTION, Housing, See Figure 06-19, REF 1
2	1997934C1	1	HOUSING, Input Shaft
3	1997657C1	2	SET SCREW,
4	359950R91	1	BEARING, NEEDLE, 1-3/4 in ID
5	238-5348	1	O-RING, -348, 70 Duro, 4.35" ID x .210" Thk,
6	130503H	1	BEARING, CUP, 3-17/64 OD
7	300426R91	1	BEARING, CONE, 1-25/32 ID
8	184217C1	1	SHAFT, Input Pinion, 26T
9	76349	2	PLUG, Hex Hd, 9/16"-18 ORB, Inc. 10
10	237-6006	1	O-RING, 6-1, 90 Duro, .468" ID x .078" Thk,
11	64600C1	2	SPRING, , BSN HAJ303001
11	87670320	2	SPRING, , ASN HAJ303001
12	211-1016	2	BALL, 1/2" Dia, 24,CRS
13	211-1014	2	BALL, 7/16" Dia, 24,CRS
14	51200379	1	BEARING, CUP, 2-3/4 OD
15	50212VA	1	BEARING, CONE, 1-5/16 ID
16	87305299	1	GEAR, 26T, 46T, Second and Third Sliding
17	401889R1	1	GEAR, 58T, First Sliding
18	1997650C1	1	SHAFT, 37T, Drive Gear, Corn and Grain Combine
18	1349044C1	1	SHAFT, 34T, Drive Gear, Rice Combine
19	290099C91	1	BEARING, CONE, 1-9/16 ID
20	290100C1	1	BEARING, CUP, 2-7/8 OD
21	238-7154	1	O-RING, -154, CI 7, 3.737" ID x .103" Thk,
22	401883R2	AR	SHIM, 0.076 mm (0.003 in)
22	401884R2	AR	SHIM, 0.127 mm (0.005 in)
22	401885R2	AR	SHIM, 0.178 mm (0.007 in)
22	184195C2	AR	SHIM, 0.762 mm (0.030 in)
23	1997998C1	1	COVER,
24	41-1012	2	PLUG, Cup, 3/4",
25	1997906C1	2	SEAL,
26	87574759	1	SHIFT RAIL, Second and Third Gear Shifter
27	1342443C3	1	SHIFT RAIL, First Gear Shifter
28	1997656C1	2	FORK, SHIFTER,
29	829-1310	2	NUT, M10, CI 10,
30	628-10035	3	BOLT, Hex, M10 x 35, 10.9, Full Thd, , Use 345-181 Loctite No. 516, 1ml
31	613-10025	4	BOLT, Hex, M10 x 25, 8.8, Full Thd, , Use Loctite No. 596, 1 ml
32	189168A1	1	SPACER, Shift Rail

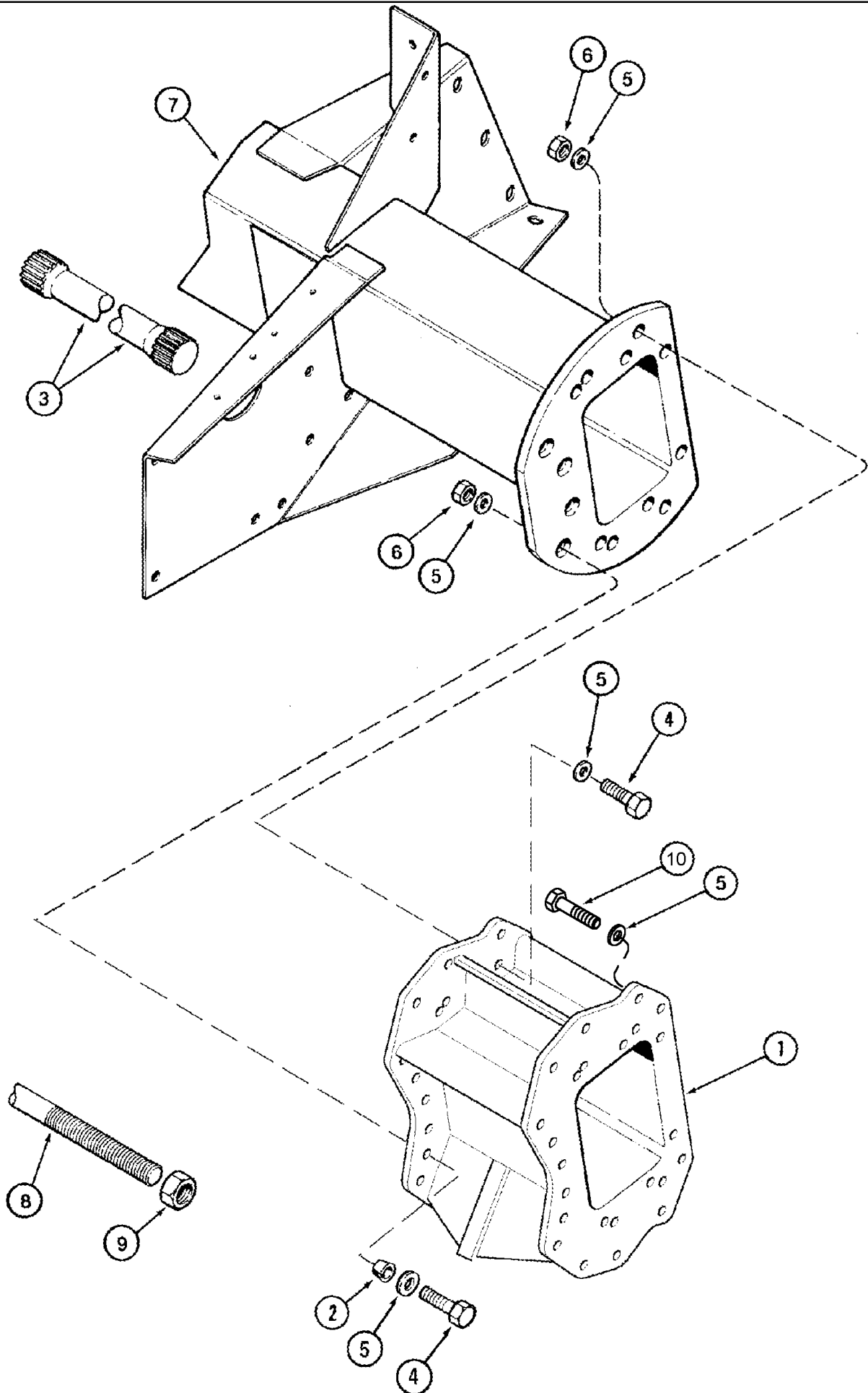
06-22 AXLE ASSY - DRIVE, WITHOUT EXTENSIONS



06-22 AXLE ASSY - DRIVE, WITHOUT EXTENSIONS

Ref	Part Number	Qty	Description
1	87526458	1	AXLE,
2	135314A1	4	BUSHING,
3	REF	1	INSTRUCTION, Support, Right Hand Shown, See Figure(s) 09H-03, REF 18; 09H-04, REF 8
4	426-1020	AR	BOLT, Hex, 5/8"-11 x 1 1/4", G8, Full Thd,
4	426-1036	AR	BOLT, Hex, 5/8"-11 x 2 1/4", G8,
4	426-1024	AR	BOLT, Hex, 5/8"-11 x 1 1/2", G8, Full Thd,
5	627-20060	AR	BOLT, Hex, M20 x 60, 10.9,
6	87301493	AR	NUT, Flg, USR, 5/8"-11, G8,
7	REF	1	INSTRUCTION, Separator, Right Hand Shown, See Figure(s) 09H-03, REF 19; 09H-04, REF 9
8	326-1024	AR	BOLT, Hex, 5/8"-11 x 1 1/2", G8, Full Thd,
9	496-41066	AR	WASHER, 21/32" x 1 1/2" x .188", HDN, If Used
10	496-11066	AR	WASHER, 21/32" x 1 5/16" x .095", HDN,
11	87527680	2	PLATE, Reinforcement
12	REF	2	INSTRUCTION, Shaft, Axle, Drive, Without Extensions, 748mm, See Figure 06-24, REF 40

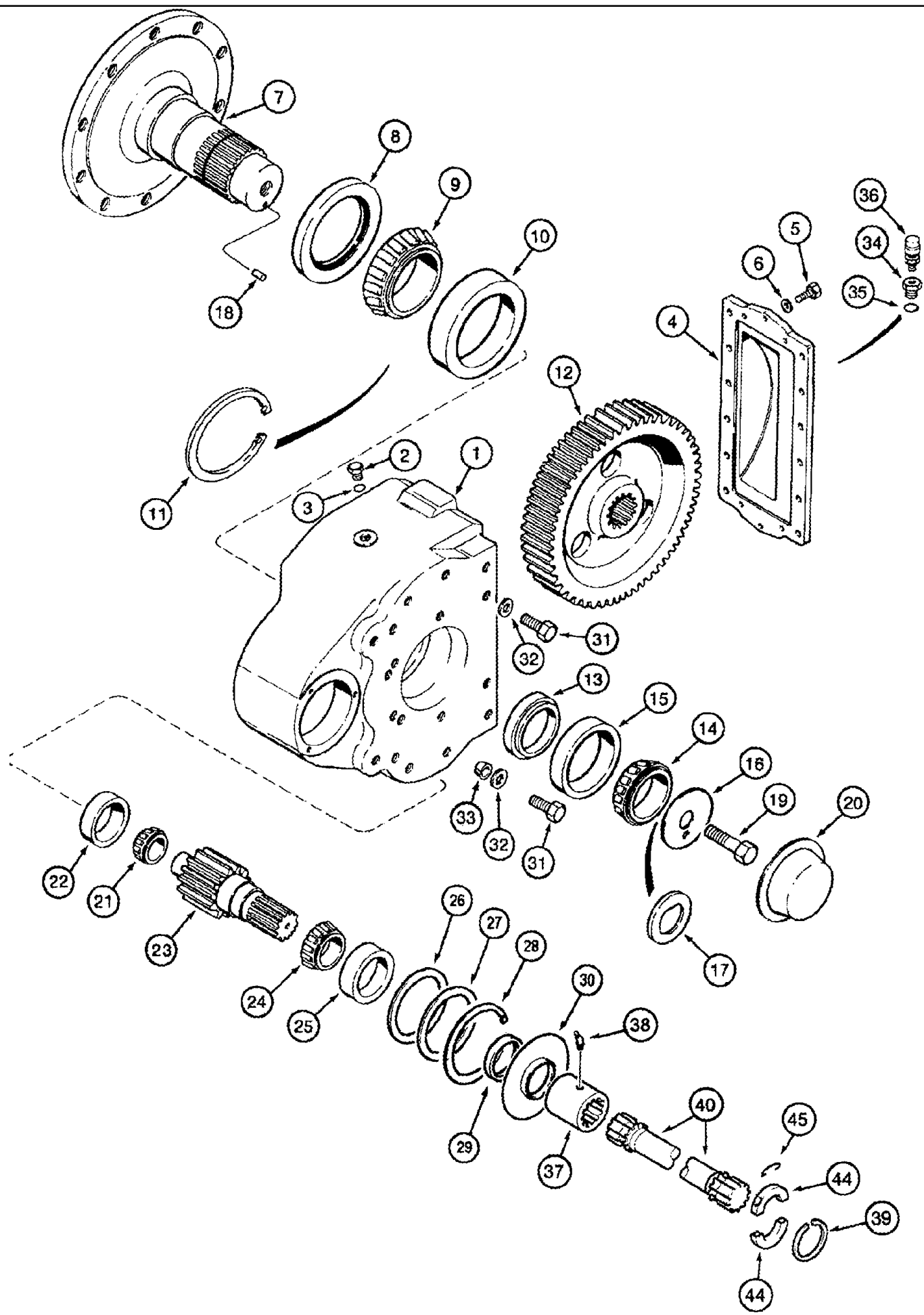
06-23 AXLE - EXTENSIONS



06-23 AXLE - EXTENSIONS

Ref	Part Number	Qty	Description
1	370220A1	2	EXTENSION, 6 in, Drive Axle, BSN HAJ301909
1	87623012	2	EXTENSION, 6 in, Drive Axle, ASN HAJ301909
1	240851A1	2	EXTENSION, 12 in, Drive Axle, Shown
1	240851A2	2	EXTENSION, 12 in, Drive Axle, If Used, BSN HAJ301909
1	87589906	2	EXTENSION, 12 in, Drive Axle, If Used, ASN HAJ301909
1	356418A1	2	AXLE, Extension Assy., 13 in, Drive Axle, If Used, (Not Shown), BSN HAJ301909
1	87589907	2	EXTENSION, 13 in, Drive Axle, If Used, (Not Shown), ASN HAJ301909
2	135314A1	12	BUSHING,
3	REF	1	INSTRUCTION, Shaft, Axle, With Extensions, See Figure 06-24, REF 40
4	827-20070	AR	BOLT, Hex, M20 x 70, 10.9,
4	627-20060	AR	BOLT, Hex, M20 x 60, 10.9,
5	137339A2	AR	WASHER, 22 x 34 x 3.4 mm
6	832-41320	AR	NUT, LOCK, M20 x 2.5, CI 10,
7	136416A5	1	AXLE, , See Figure 06-23, REF 1
8	335400A1	1	REINFORCEMENT, With 12 in. Axle Extension, Used with 240851A2, BSN HAJ301909
8	87628998	1	ROD, With 12 in. Axle Extension, Used with 87589906, ASN HAJ301909
8	356459A1	1	REINFORCEMENT, With 13 in. Axle Extension, Used with 356418A1, BSN HAJ301909
8	87633280	1	REINFORCEMENT, With 13 in. Axle Extension, Used with 87589907, ASN HAJ301909
8	370221A2	1	REINFORCEMENT, With 6 in. Axle Extension, BSN HAJ301909
8	87633278	1	REINFORCEMENT, With 6 in. Axle Extension, ASN HAJ301909
9	232-41320	2	NUT, LOCK, 1 1/4"-7, GC,
9	425-1020	2	NUT, 1 1/4"-7, G5,
10	861-20060	26	SCREW, Hex Soc Hd, M20 x 60, 12.9,
11	370223A1	2	SPACER, With 6 in. Axle Extension
12	425-1020	2	NUT, 1 1/4"-7, G5, With 6 in. Axle Extension
13	232-41320	2	NUT, LOCK, 1 1/4"-7, GC, With 6 in. axle extension
14	396-31131	2	WASHER, 1 3/8" x 2 1/2" x 1/4", HDN, With 6 in. Axle Extension

06-24 FINAL DRIVE ASSY

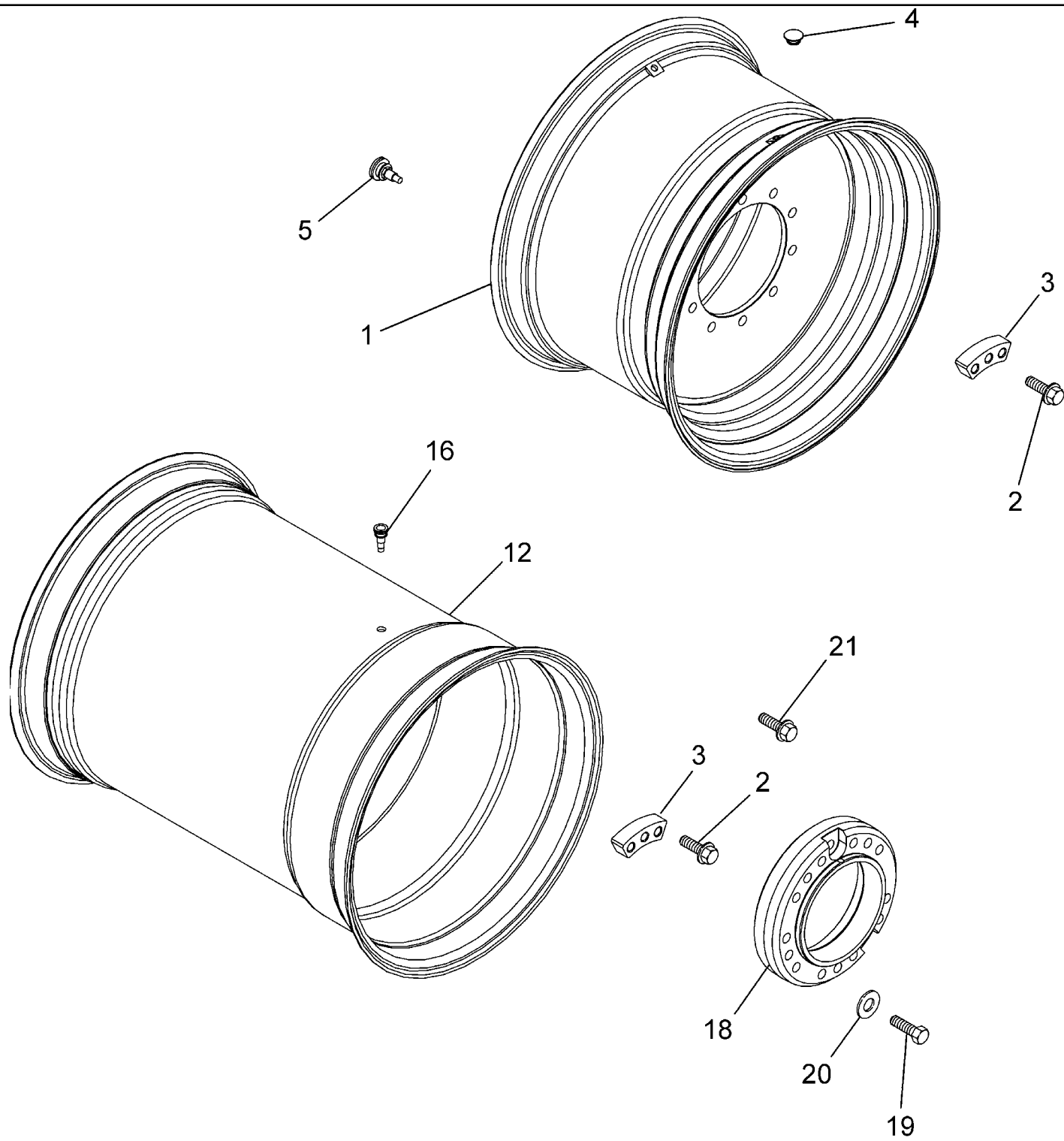


06-24 FINAL DRIVE ASSY

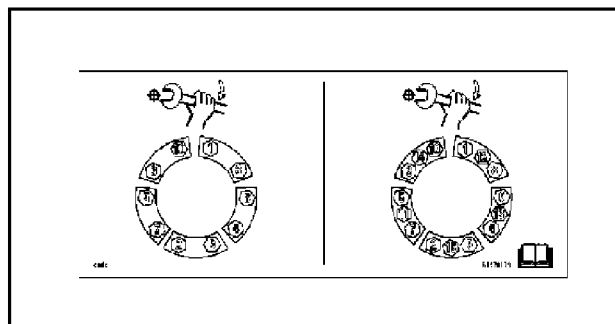
Ref	Part Number	Qty	Description
	87392267	2	Final Drive, Heavy Duty, Inc. 1 - 6, 7A, 8, 9A, 10 - 30
1	135285A2	1	HOUSING,
2	218-5158	1	PLUG, Hex Hd, 1 1/16"-12 ORB, Inc. 3
3	237-6012	1	O-RING, 12-1, 90 Duro, .924 ID x .118" Thk,
4	135286A1	1	COVER,
5	628-16050	14	BOLT, Hex, M16 x 50, 10.9, Full Thd,
6	896-11016	14	WASHER, M17.5 x 30 x 4, HT,
7	87338661	1	SHAFT, Output
8	135293A1	1	SEAL,
9	335947A1	1	BEARING, CONE,
10	135649A1	1	BEARING, CUP,
11	135297A1	1	CIRCLIP,
12	87354349	1	GEAR, 73T, Final Drive
13	135307A1	1	SPACER,
14	135294A1	1	BEARING, CONE,
15	71455R1	1	BEARING, CUP,
16	135289A1	1	RETAINER,
17	135299A1	AR	SHIM, 0.051 mm (0.002 in)
17	135300A1	AR	SHIM, 0.457 mm (0.018 in)
17	135301A1	AR	SHIM, 0.635 mm (0.025 in)
18	37-1512	1	DOWEL, 5/16" x 3/4",
19	828-24090	1	BOLT, Hex, M24 x 90 10.9,
20	135296A1	1	COVER,
21	135295A1	1	BEARING, CONE,
22	135650A1	1	BEARING, CUP,
23	87354348	1	AXLE, 12T, Input
24	K4729	1	BEARING, CONE,
25	135651A1	1	BEARING, CUP,
26	135302A1	AR	SHIM, 0.051 mm (0.002 in)
26	135303A1	AR	SHIM, 0.457 mm (0.018 in)
26	135305A1	AR	SHIM, 0.635 mm (0.025 in)
27	193652A1	1	WASHER,
28	101-21412	1	RING, SNAP, #412, 4.430", Int,
29	135292A1	1	SEAL,
30	135291A1	1	GUARD,
31	627-20060	26	BOLT, Hex, M20 x 60, 10.9,
32	137339A2	26	WASHER, 22 x 34 x 3.4 mm
33	135314A1	AR	BUSHING, Bushing
34	135950A1	2	ADAPTER, 1/8 PT x 1-1/16 Or, Inc. 35
35	237-6012	1	O-RING, 12-1, 90 Duro, .924 ID x .118" Thk,
36	219-434	2	BREATHER, 1/8"-27 NPT, Short, w/washer,
37	248600A1	4	COUPLING, Inc. 38
38	219-45	1	NIPPLE, LUBE, 65e, 1/4" NPT x .77" lg, Drive,

06-24 FINAL DRIVE ASSY

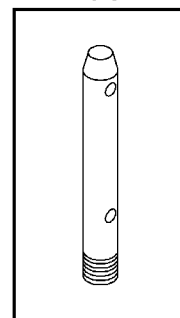
Ref	Part Number	Qty	Description
39	123763A1	4	RING, SNAP,
40	242846A1	2	SHAFT, 748 mm, Models without Axle Extensions, See Figure 06-23, REF 3
40	242852A1	2	SHAFT, 904 mm, Used With 242462A1, 370220A1 Extensions, See Figure 06-23, REF 3
40	242859A1	2	SHAFT, 1046 mm, Used With 240851A1 Extension, See Figure 06-23, REF 3
40	356460A1	2	SHAFT, 1092 mm, Used With 356418A1 Extension, See Figure 06-23, REF 3
44	244549A1	4	COLLAR, Inc. 44A
44A	62-33116	1	SCREW, Hex Soc Hd, 5/16"-24 x 1", (Not Shown)
45	245105A2	4	CLIP, SPRING,



10

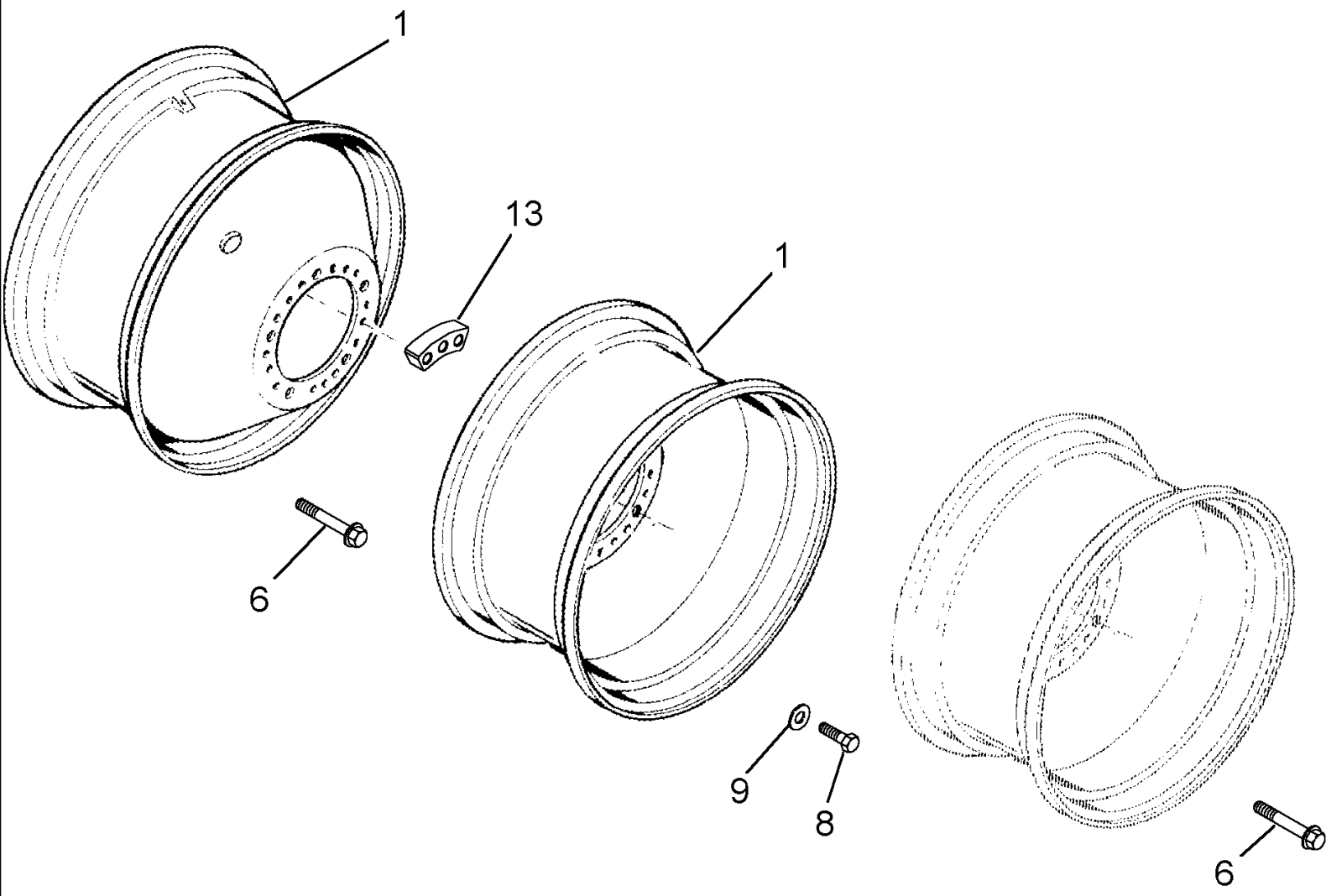


11

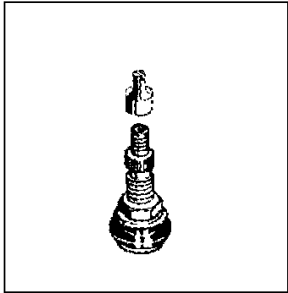


06-25 WHEELS - DRIVE - SINGLE

Ref	Part Number	Qty	Description
1	87393349	2	WHEEL, Used with Bias 24.5 x 32 Inch Tire, With 10 Bolt Mounting
1	87411121	2	WHEEL, 24.5 x 32 Inch Tire, With 10 Bolt Mounting
1A	87393054	2	RIM, 800/54- R32 Tire, 800/65 - R32 Tire, With 10 Bolt Mounting
2	87327478	AR	BOLT, Flange, M22 x 75; 12.9
3	87598803	10	PLATE, Wheel Mounting Spacer
4	417194C1	2	PLUG, Used With Tubeless Tires, If Used
4	359846A1	2	PLUG, Used With Tubeless Tires, If Used
4	383697R1	2	PLUG, Used With Tube Type Tires
4	86998062	2	PLUG, Used With Tube Type Tires
5	179482C1	2	VALVE STEM, 7/16 in dia, Used With Tubeless Tires
5	87106339	2	VALVE STEM, Used With Tube Type Tires
6	407184R1	2	VALVE, Core, Used With Tubeless Tires
7	87393052	2	SPROCKET, Used with Bias 30.5L x 32 Inch Tire
8	427374A1	AR	BOLT, Flange, M20 x 70
8	427373A1	AR	BOLT, M20 x 85; 10.9
8	430666A1	AR	BOLT, M20 x 45; 10.9
9	130871A3	AR	SPACER,
10	403425A1	2	DECAL, Bolt Torque, Single Drive Wheel, See Figure 09H-21
11	87283521	2	STUD, Drive Wheel Starter
12	237825A2	2	WHEEL, 68 x 50 in, 16pr hf3 Hi-Flotation Tire
16	86997685	2	VALVE STEM, Used With Tubeless Tires
18	87398579	2	SPACER, 76 mm
19	87515082	20	BOLT,
20	87327481	20	WASHER,
21	87367550	4	BOLT,



12

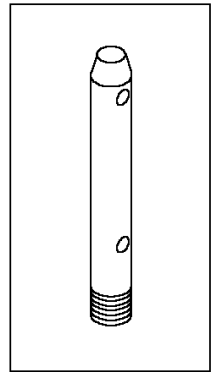


10

DUAL WHEEL INSTRUCTIONS

COMBINE WITH 24 BOLTS	COMBINE WITH 10 STUDS / 10 BOLTS
<p>TEMPORARY ROAD TRANSPORT RUN (SOFTY ROAD) ON INNER WHEEL ONLY. Approved with 42 inch tires with 2.8 bar (99 psi) inflation. GRIFFY grain tank and P90 header. Install all hardware and torque to specification.</p>	

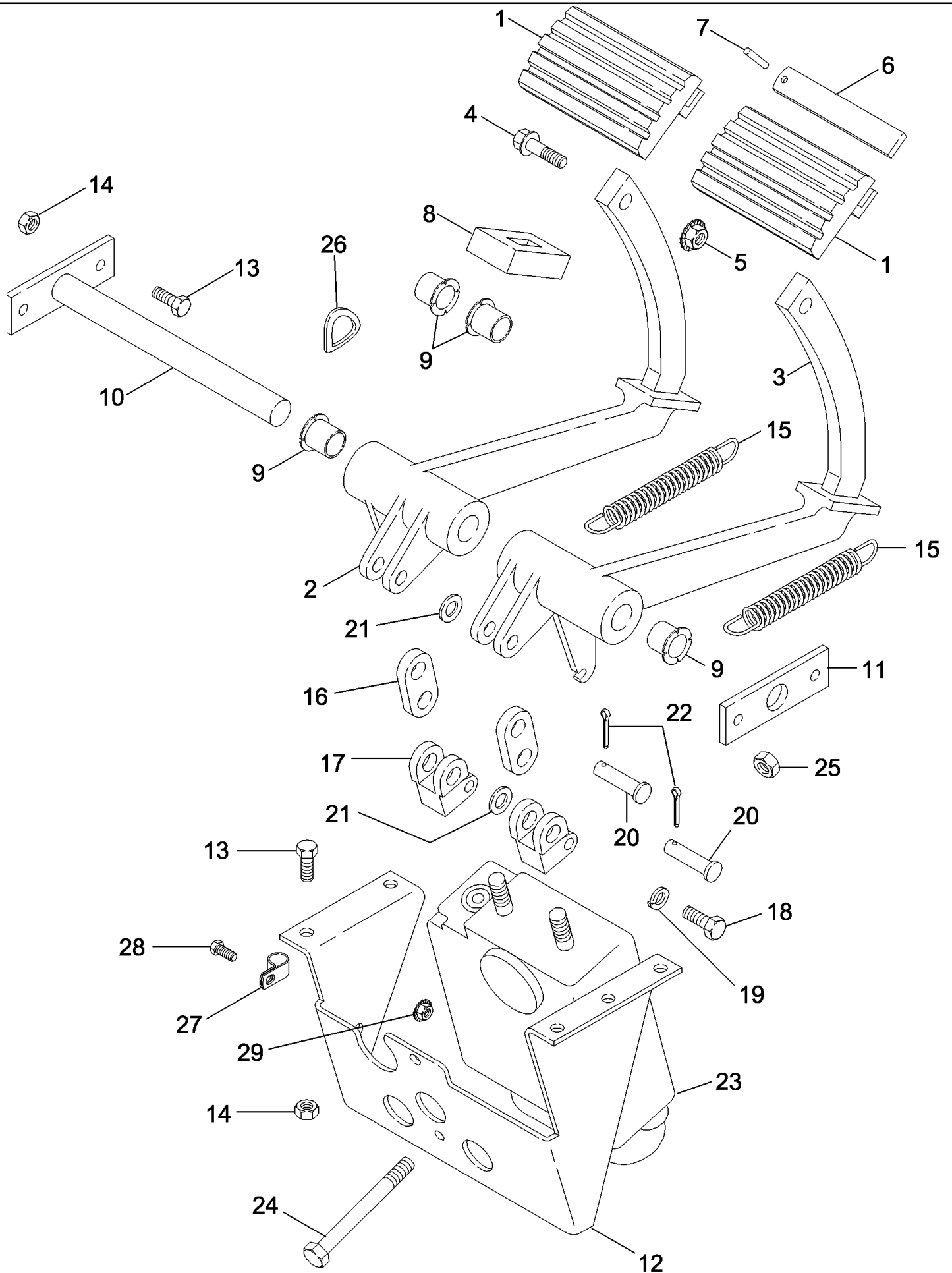
11



06-26 WHEELS - DRIVE- DUAL

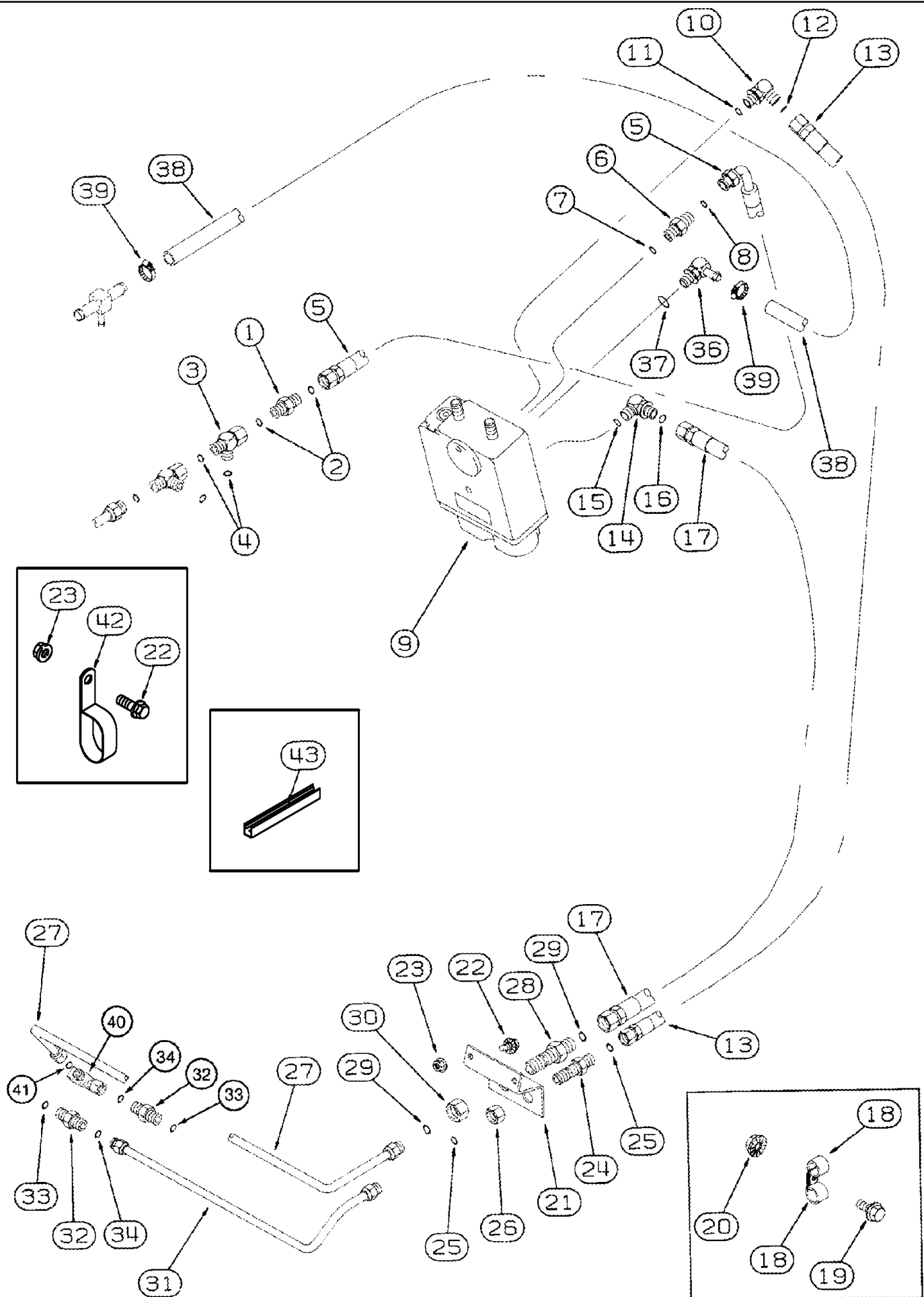
Ref	Part Number	Qty	Description
1	87386315	4	WHEEL ASSY., 18.4 x 42 Inch Tire
1	87386313	4	WHEEL ASSY, 20.8 x 42 Inch Tire
1	87386310	4	WHEEL, 20.8 x 38 Inch Tire
6	87367550	30	BOLT, M22 x 95: 12.9
8	87340028	10	BOLT, M22 x 55: 10.9
9	87327481	10	WASHER, 23 x 37 x 5 mm
10	87563205	2	DECAL, Dual Wheel, See Figure 09H-21
11	87283521	2	STUD, Drive Wheel Starter
12	395448	2	VALVE STEM, 7/16 in dia, Used With Tubeless Tires, If Used
13	87327940	10	PLATE, Wheel Mounting Spacer

07-01 CONTROLS - BRAKES, MASTER



07-01 CONTROLS - BRAKES, MASTER

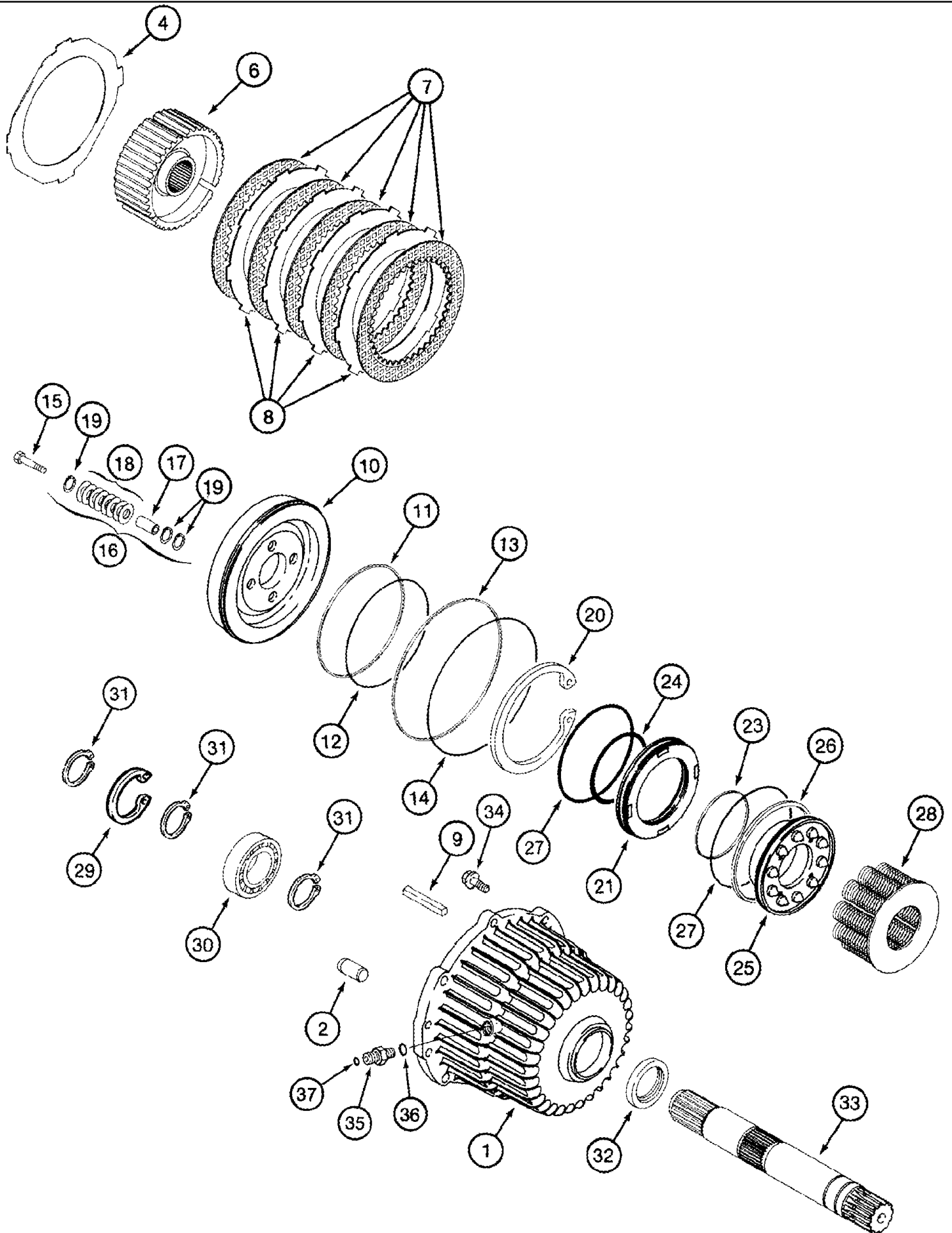
Ref	Part Number	Qty	Description
1	119902A1	2	PAD, Brake Pedal
2	138017A4	1	PEDAL, Brake, Left Hand
3	138016A4	1	PEDAL, Brake, Right Hand
4	905-10035	2	BOLT, Hex Serr Flg, M10 x 35,
5	825-51410	2	NUT, M10, Flg Ser,
6	119903A1	1	PLATE, Brake Locking
7	38-3814	1	PIN, 1/8" x 7/8", Coiled,
8	120159A1	2	SEAL,
9	185062R1	4	BUSHING,
10	120160A2	1	SHAFT,
11	1281794C1	1	PLATE,
12	121496A3	1	SUPPORT,
13	614-8025	9	BOLT, Hex, M8 x 25, 8.8,
14	832-10408	9	NUT, LOCK, M8 x 1.25, CI 8,
15	182652A1	2	SPRING, 27.9 OD x 122 mm
16	384082R1	2	LINK,
17	384083R2	2	CLEVIS,
18	413-518	2	BOLT, Hex, 5/16"-18 x 1 1/8", G5, Full Thd,
19	492-11031	2	WASHER, LOCK, 5/16",
20	427-8168	4	PIN, CLEVIS, 1/2" x 1 11/16",
21	495-11053	4	WASHER, 1/2", SAE,
22	432-816	4	PIN, SPLIT (COTTER), 1/8" x 1",
23	137449A2	1	VALVE, BRAKE, Master Brake Control, See Figure(s) 07-02 - 07-04
24	413-656	2	BOLT, Hex, 3/8"-16 x 3 1/2", G5,
25	425-166	2	NUT, 3/8"-16, G5, Hvy,
26	G49413	1	WASHER,
27	516-23127	1	CLAMP, J, 9/16" Insul, 3/8" Bolt,
28	614-8016	1	BOLT, Hex, M8 x 16, 8.8,
29	825-2408	1	NUT, M8 x 1.25, Flg, CI 8,



07-02 HYDRAULICS - BRAKES, MASTER

Ref	Part Number	Qty	Description
1	235705A1	1	VALVE, Inc. 2
2	238-6014	2	O-RING, -014, 90 Duro, .489" ID x .070" Thk,
3	201-416	1	TEE, 13/16"-16 ORFS x 13/16"-16 Sw Run, Inc. 4, For Attaching Parts, See Figure 07-05, REF 1
4	238-6014	2	O-RING, -014, 90 Duro, .489" ID x .070" Thk,
5	237433A1	1	HOSE, FLEXIBLE, 2460 mm (96-7/8 in), Master Brake Valve Supply
6	201-126	1	CONNECTOR, HYD., 13/16"-16 ORFS x 9/16"-20 ORB, Inc. 7, 8
7	237-6006	1	O-RING, 6-1, 90 Duro, .468" ID x .078" Thk,
8	238-6014	1	O-RING, -014, 90 Duro, .489" ID x .070" Thk,
9	137449A2	1	VALVE, BRAKE, Master Brake Control, See Figure(s) 07-01, 07-04
10	201-304	1	ELBOW, 90e, 11/16"-16 x 9/16"-18 Adj, ORFS, Inc. 42,43
11	237-6006	1	O-RING, 6-1, 90 Duro, .468" ID x .078" Thk,
12	238-6012	1	O-RING, -012, 90 Duro, .364" ID x .070" Thk,
13	128059A2	1	HOSE, FLEXIBLE, 2440 mm (96-1/16 in), Valve to Left Hand Brake
14	201-332	1	ELBOW, 90e, 13/16"-16 x 9/16"-18, Adj, ORFS, Inc. 15, 16
15	237-6006	1	O-RING, 6-1, 90 Duro, .468" ID x .078" Thk,
16	238-6014	1	O-RING, -014, 90 Duro, .489" ID x .070" Thk,
17	128057A2	1	HOSE, FLEXIBLE, 2290 mm (90-1/8 in), Valve to Right Hand Brake
18	515-23317	2	CLAMP, 1 1/4", Insul, 3/8" Bolt,
19	409-7616	1	BOLT, Hex Flg, 3/8"-16 x 1", Serr,
20	231-5146	1	NUT, Flg, USR, 3/8"-16,
21	128540A1	1	SUPPORT,
22	409-7512	3	BOLT, Hex Flg, 5/16"-18 x 3/4", Serr,
23	231-5145	3	NUT, Flg, USR, 5/16"-18,
24	201-120	1	CONNECTOR, HYD., 11/16"-16, Blkhd, ORFS, Inc. 25
25	238-6012	2	O-RING, -012, 90 Duro, .364" ID x .070" Thk,
26	201-909	1	NUT, LOCK, Blkhd, 11/16"-16,
27	277960A1	1	BRAKE LINE, Valve to Left Hand Brake, For Attaching Parts, See Figure 07-05, REF 21
28	201-121	1	CONNECTOR, HYD., 13/16"-16, Blkhd, ORFS, Includes 29
29	238-6014	2	O-RING, -014, 90 Duro, .489" ID x .070" Thk,
30	201-903	1	NUT, LOCK, Blkhd, 13/16"-16,
31	128745A1	1	TUBE, Right Hand Service Brake
32	201-101	2	CONNECTOR, HYD., 11/16"-16 ORFS x 9/16"-18 ORB, Includes 33, 34, At Brake Housing
33	237-6006	1	O-RING, 6-1, 90 Duro, .468" ID x .078" Thk,
34	238-6012	1	O-RING, -012, 90 Duro, .364" ID x .070" Thk,
35	236388A1	2	BRAKE ASSY., Master Brake, (Not Shown), See Figure 07-03
36	217-363	1	FITTING, 90e, 5/8" Hose x 1 1/16"-12 ORB Beaded, Includes Ref. 37
37	237-6012	1	O-RING, 12-1, 90 Duro, .924 ID x .118" Thk,
38	237434A1	1	HOSE, FLEXIBLE, 2180 mm, Brake Return to Valve, Cut From S118576X
39	214-1410	2	CLAMP, HOSE, #10, 0.56/1.06 Type F Worm,
40	277963A1	1	FITTING, Inc. 41, Tow Check, For Attaching Parts, See Figure 07-05, REF 21
41	238-6012	1	O-RING, -012, 90 Duro, .364" ID x .070" Thk,
42	470375C1	1	CLAMP,
43	1545944C1	1	SEAL, Trim, Cut 127 mm (5 in) From S118576

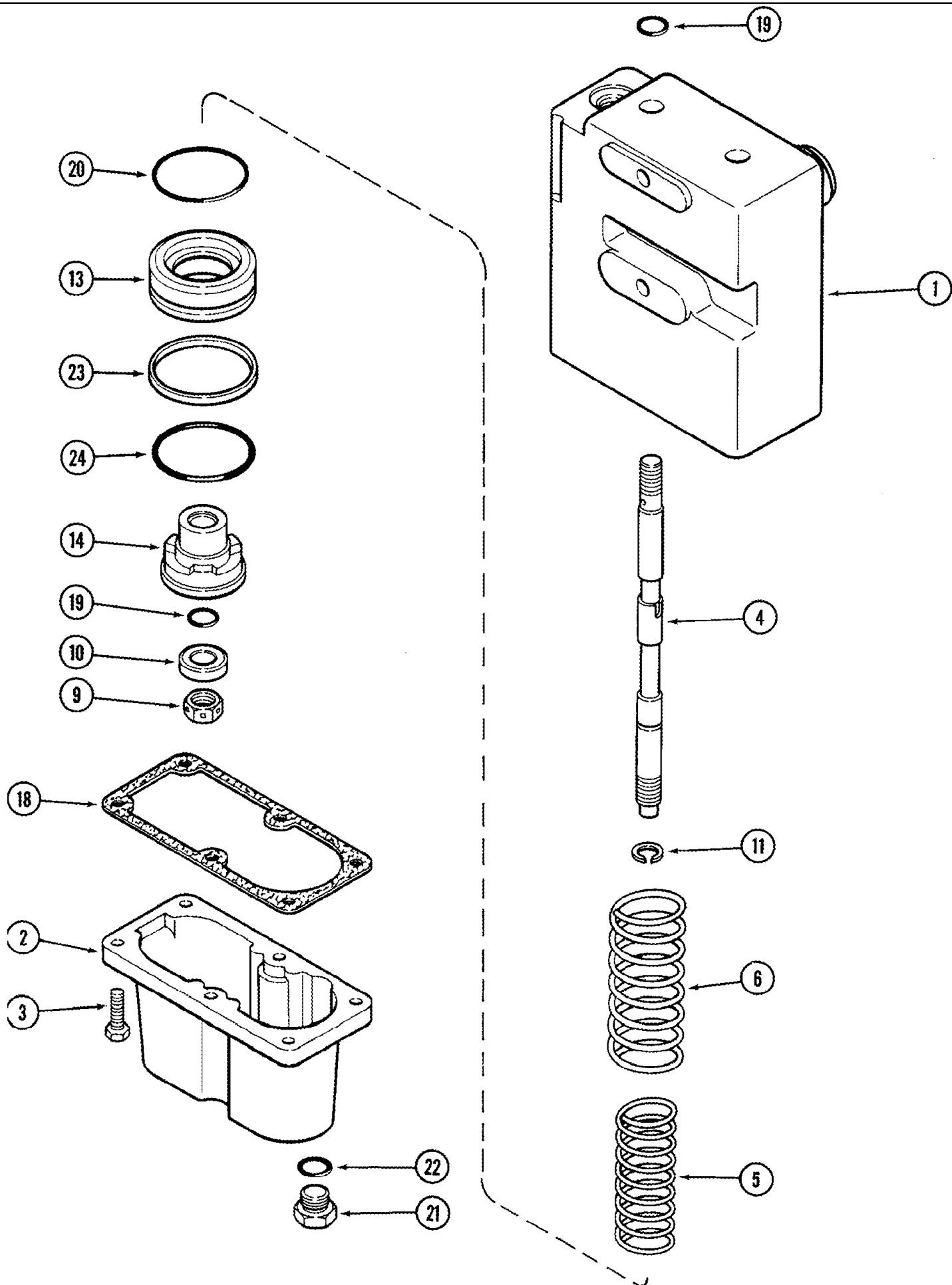
07-03 BRAKES, MASTER



07-03 BRAKES, MASTER

Ref	Part Number	Qty	Description
	236388A1R	2	BRAKE ASSY., Remanufactured
	236388A1C	2	CORE, Use To Return Core For Credit
	236388A1	2	BRAKE ASSY., Inc. 1 - 37, Master
1	1997395C1	1	HOUSING,
2	837-16030	2	DOWEL, M16 x 30,
4	NSS	2	NOT SERVICED SEPARATELY, 0.5 mm thk, Shim
4	NSS	2	NOT SERVICED SEPARATELY, 1.062 mm thk, Shim
6	1997394C1	1	HUB,
7	1997959C1	12	BRAKE DISC,
8	1285974C1	13	PLATE, BRAKE,
9	221254A1	8	SPACER,
10	1997398C1	1	PISTON,
11	1997617C4	1	SEAL,
12	238-7168	1	O-RING, -168, CI 7, 7.237" ID x .103" Thk,
13	1997616C4	1	SEAL,
14	238-7174	1	O-RING, -174, CI 7, 8.737" ID x .103" Thk,
15	828-8070	4	BOLT, Hex, M8 x 70, 10.9,
16	1997900C1	4	SPRING, Inc. 17 - 19
17	NSS	1	NOT SERVICED SEPARATELY, Spacer
18	1997912C1	8	WASHER,
19	100-1462	3	RING, SNAP, #62, Ext,
20	102-22625	1	RING, SNAP, #625, 6.474", Int, Spiral,
21	1997399C1	1	PISTON,
23	1997619C4	1	RING, PISTON,
24	238-7157	1	O-RING, -157, CI 7, 4.487" ID x .103" Thk,
25	1997400C1	1	PISTON,
26	1997618C4	1	SEAL,
27	238-7162	2	O-RING, -162, CI 7, 5.737" ID x .103" Thk,
28	1997999C2	1	SPRING,
29	101-21393	1	RING, SNAP, #393, 4.234", Int,
30	ST265	1	BEARING, BALL,
31	358059R1	3	RING, SNAP,
32	184072C1	1	SEAL,
33	236378A1	1	SHAFT, Output
34	845-8020	4	BOLT, Hex Flg, M8 x 20, 8.8, Full Thd,
35	201-101	2	CONNECTOR, HYD., 11/16"-16 ORFS x 9/16"-18 ORB, Includes 36, 37
36	237-6006	1	O-RING, 6-1, 90 Duro, .468" ID x .078" Thk,
37	238-6012	1	O-RING, -012, 90 Duro, .364" ID x .070" Thk,
	221598A1	2	KIT, SHIM, Inc. 4, 4, 9

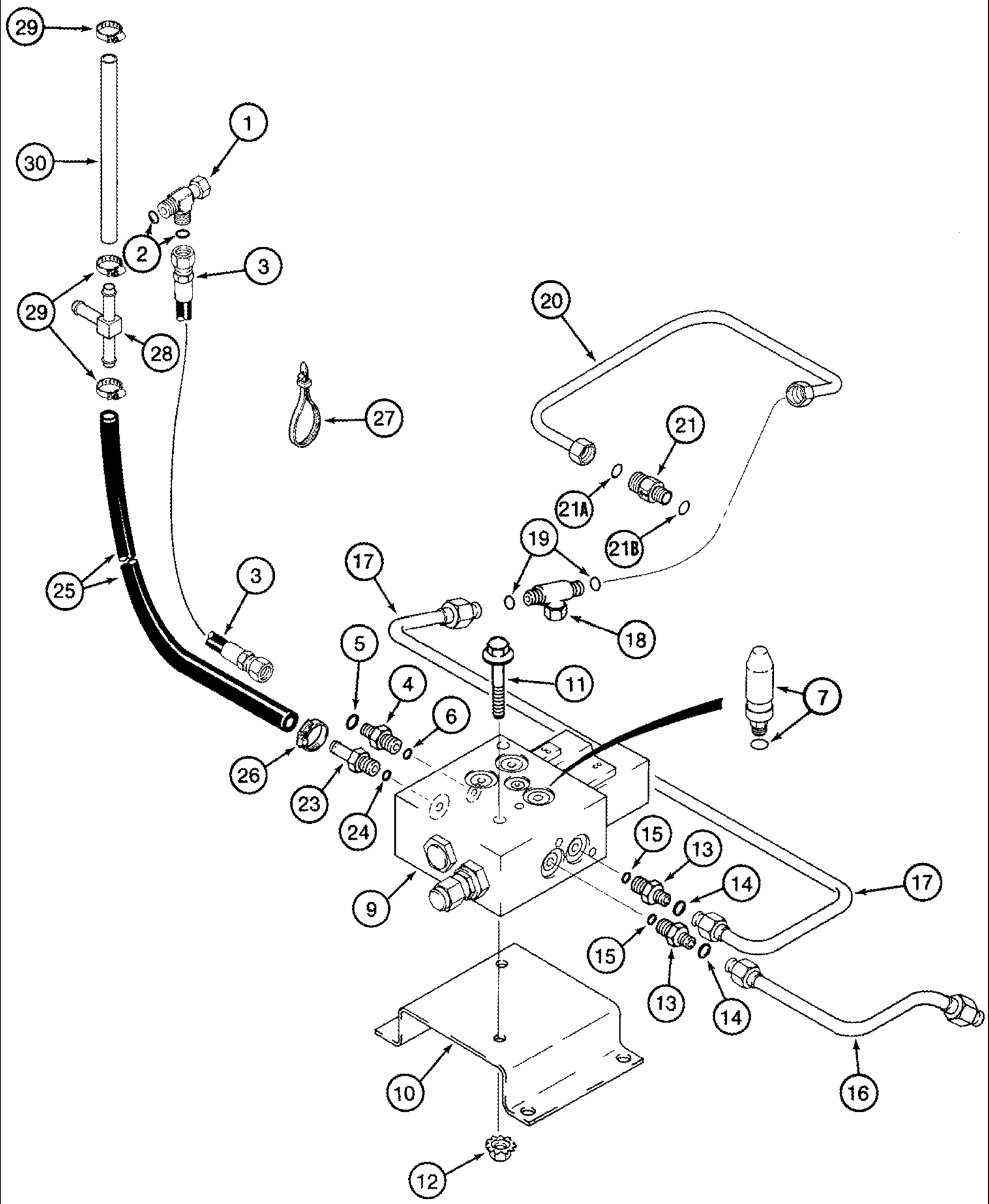
07-04 VALVE ASSY - BRAKES, MASTER



07-04 VALVE ASSY - BRAKES, MASTER

Ref	Part Number	Qty	Description
	137449A2	1	VALVE, BRAKE, Inc. 1 - 24, Master Brake Control
1	NSS	1	NOT SERVICED SEPARATELY, Body
2	384495R1	1	CAP,
3	413-414	6	BOLT, Hex, 1/4"-20 x 7/8", G5, Full Thd,
4	NSS	2	NOT SERVICED SEPARATELY, Spool
5	1263125C1	2	SPRING,
6	1263124C1	2	SPRING,
9	9411648	2	NUT, LOCK, 1/2"-20, GC,
10	69158C1	2	RETAINER,
11	A27020	2	RING,
13	NSS	2	NOT SERVICED SEPARATELY, Piston
14	NSS	2	NOT SERVICED SEPARATELY, Piston
	71487C92	1	KIT, SEALS, Inc. 18 - 24
18	384503R2	1	GASKET,
19	NSS	4	NOT SERVICED SEPARATELY, O-Ring
20	NSS	2	NOT SERVICED SEPARATELY, O-Ring
21	76349	1	PLUG, Hex Hd, 9/16"-18 ORB,
22	237-6006	1	O-RING, 6-1, 90 Duro, .468" ID x .078" Thk,
23	1986769C1	2	BACK-UP RING,
24	238-5135	2	O-RING, -135, 70 Duro, 1.925" ID x .103" Thk,

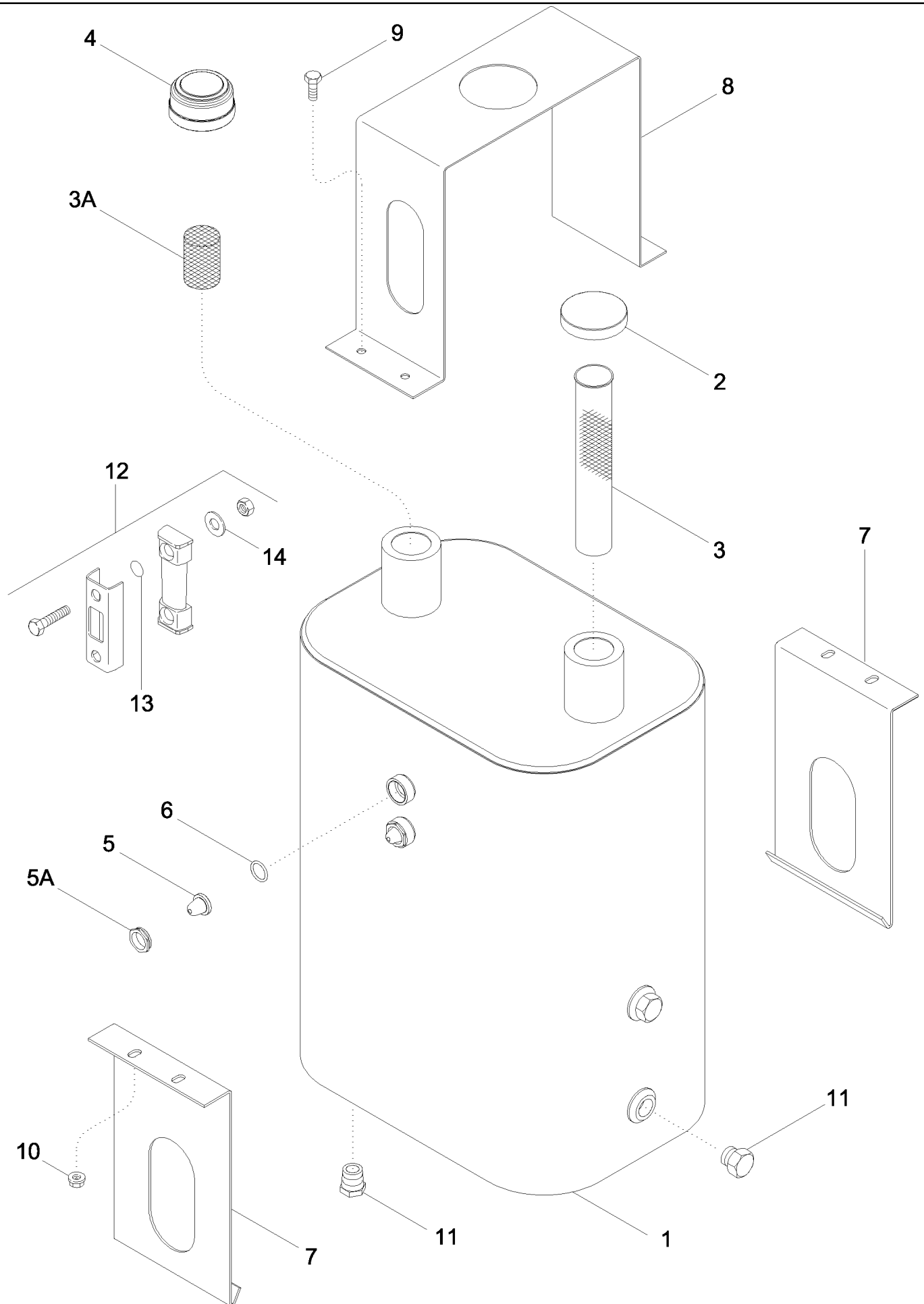
07-05 HYDRAULICS - BRAKE, PARKING AND TOW VALVE



07-05 HYDRAULICS - BRAKE, PARKING AND TOW VALVE

Ref	Part Number	Qty	Description
1	201-416	1	TEE, 13/16"-16 ORFS x 13/16"-16 Sw Run, , For Attaching Parts, See Figure 07-02, REF 3
2	238-6014	2	O-RING, -014, 90 Duro, .489" ID x .070" Thk,
3	128039A2	1	HOSE, FLEXIBLE, 2330 mm (91-3/4 in), Valve Supply
4	201-101	1	CONNECTOR, HYD., 11/16"-16 ORFS x 9/16"-18 ORB, Includes 5, 6
5	237-6012	1	O-RING, 12-1, 90 Duro, .924 ID x .118" Thk,
6	238-6006	1	O-RING, 6-1, .114" ID x .070" Thk,
7	125829A1	1	SWITCH, Parking Brake, Inc. 237-6005 O-ring
9	129010A4	1	VALVE, CONTROL, Parking Brake And Feeder Clutch, Note: See Hydraulics - Feeder Clutch, Figure 08-22, for a continuation of hydraulic lines at the valve., See Figure 08-17
10	128293A1	1	SUPPORT,
11	845-8070	2	BOLT, Hex Flg, M8 x 70, 8.8,
12	825-5148	2	NUT, M8, Flg Ser,
13	201-101	2	CONNECTOR, HYD., 11/16"-16 ORFS x 9/16"-18 ORB, Includes 14, 15
14	237-6006	1	O-RING, 6-1, 90 Duro, .468" ID x .078" Thk,
15	238-6012	1	O-RING, -012, 90 Duro, .364" ID x .070" Thk,
16	177158A2	1	BRAKE LINE, Parking Brake, Right Hand
17	177159A2	1	BRAKE LINE, Parking Brake, Left Hand
18	201-434	2	TEE, 11/16"-18 ORFS x 11/16"-18 Sw Br, Inc. 19
19	238-6012	2	O-RING, -012, 90 Duro, .364" ID x .070" Thk,
20	277962A1	1	TUBE,
21	277961A1	1	VALVE, Inc. 21A, 21B, In-Line Check, Tow, See Figure 07-02, REF 27, 40
21A	238-6012	1	O-RING, -012, 90 Duro, .364" ID x .070" Thk,
21B	237-6006	1	O-RING, 6-1, 90 Duro, .468" ID x .078" Thk,
23	217-386	1	FITTING, 3/8" Hose x 3/4"-18 ORB, Beaded, Inc. 24
24	237-6008	1	O-RING, 8-1, 90 Duro, .644" ID x .087" Thk,
25	128078A2	1	HOSE, FLEXIBLE, 1090 mm (43 in), Cut From S118400X, Brake Valve Return
26	214-1704	1	CLAMP, HOSE, #4, 0.25/0.62 Type M Worm,
27	435437A1	AR	STRAP, CABLE, 3/16" x 7 1/4", 7 Inch
28	123949A1	1	TEE, 3/8 stem, Park Brake to Header Lift and Reel Drive, For Attaching Parts, See Figure 08-10, REF 32, 34
29	214-1706	4	CLAMP, HOSE, #6, 0.44/0.78 Type M Worm,
30	254733A1	1	HOSE, FLEXIBLE, 760 mm (30 in), Cut From S118400X, Tee to Reel Drive Valve Return, For Attaching Parts, See Figure 08-18, REF 28

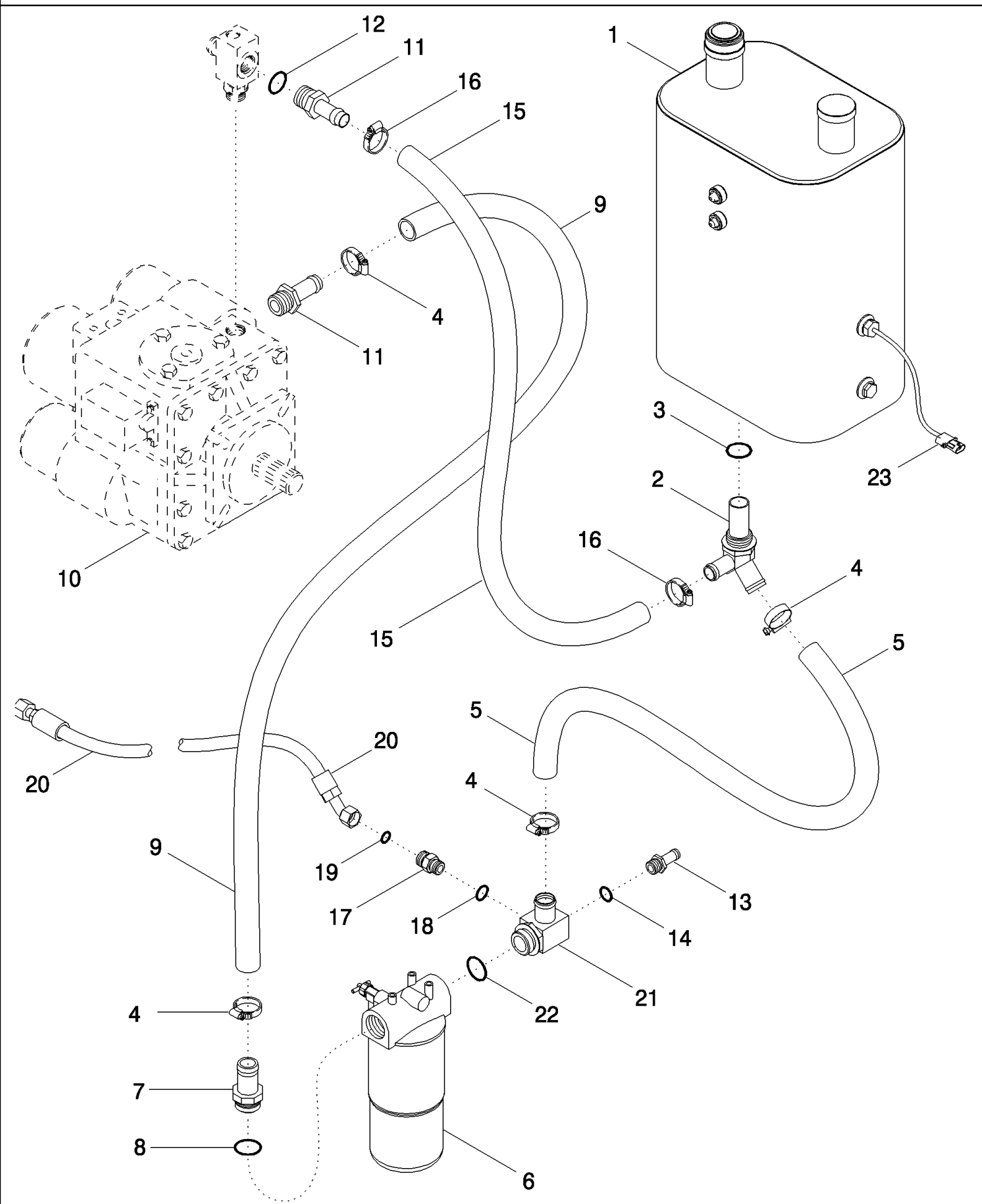
08-01 RESERVOIR - OIL, HYDRAULIC



08-01 RESERVOIR - OIL, HYDRAULIC

Ref	Part Number	Qty	Description
	87311894	1	RESERVOIR, HYDRAULIC OIL, Inc. 1-4, 11-12
1	NSS	1	NOT SERVICED SEPARATELY, Tank
2	1346309C2	1	CAP, FILLER,
3	104407A1	2	SCREEN,
3A	191116A1	1	BAFFLE,
4	1272941C2	1	BREATHER,
5	86990536	2	LENS, Sightglass
5A	86990537	2	NUT, Lens Retainer
6	238-6115	2	O-RING, -115, 90 Duro, .674" ID x .103" Thk,
7	1979829C1	2	SUPPORT,
8	1347146C1	1	CLAMP,
9	409-7512	4	BOLT, Hex Flg, 5/16"-18 x 3/4", Serr,
10	231-5145	4	NUT, Flg, USR, 5/16"-18,
11	214389	2	PLUG, Hex Hd, 3/4"-16 ORB,
12	87107405	1	GAUGE, LEVEL, Reservoir
13	86598100	2	O-RING, CI 6, 13.3MM ID x 2.2 Thk,
14	720060	2	WASHER, RUBBER,

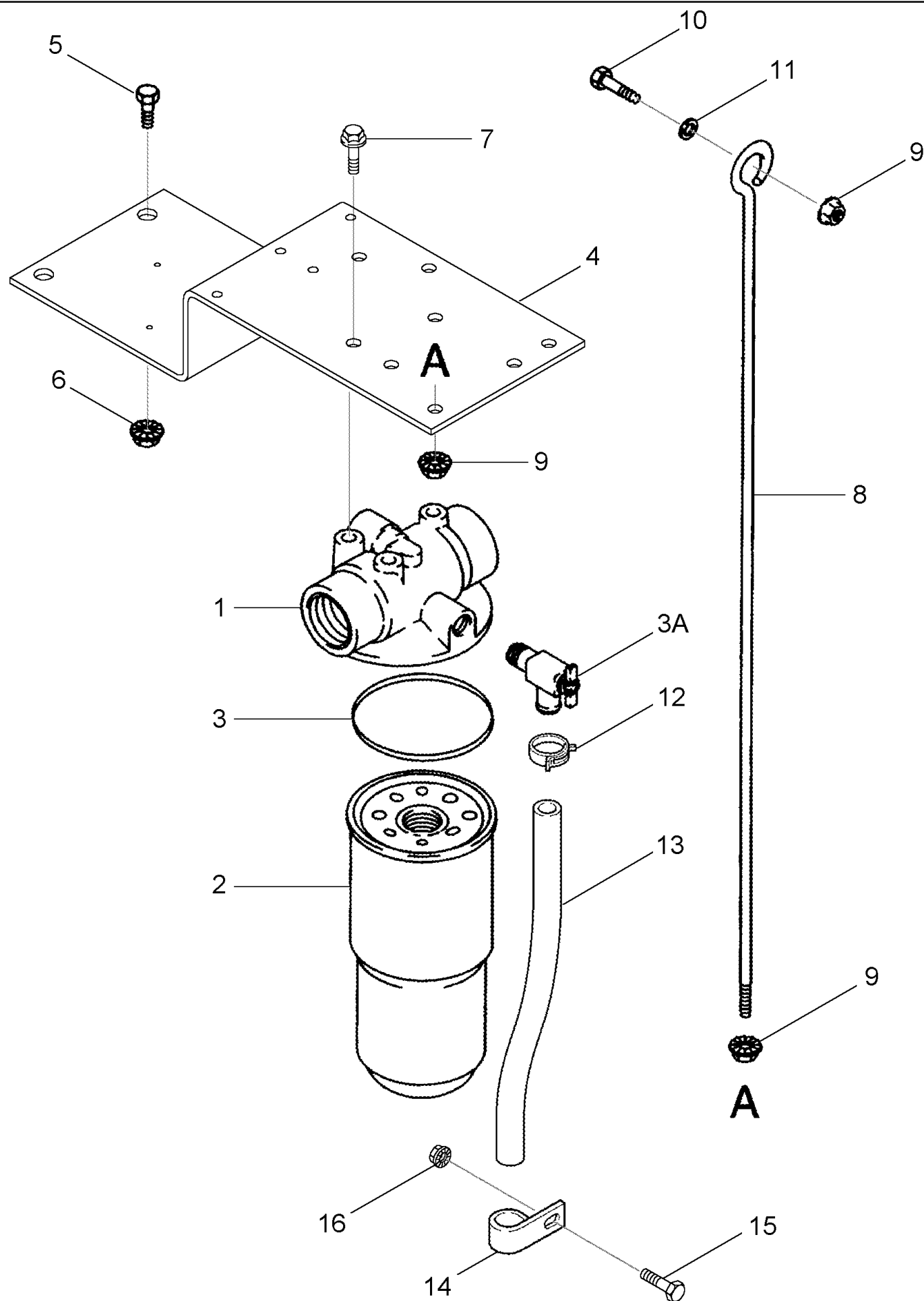
08-02 HYDRAULICS - RESERVOIR TO HYDROSTATIC PUMP



08-02 HYDRAULICS - RESERVOIR TO HYDROSTATIC PUMP

Ref	Part Number	Qty	Description
1	86991459	1	RESERVOIR, HYDRAULIC OIL, , See Figure 08-01
2	182812A1	1	TEE, Inc. 3
3	237-6020	1	O-RING, 20-1, 90 Duro, 1.475" ID x .118" Thk,
4	214-3232	6	CLAMP, HOSE, 1.25/2.125 HD Worm, W/liner,
5	1541691C1	1	HOSE, FLEXIBLE, 815 mm (32 in), Filter To Reservoir
6	87784C92	1	FILTER, HYDRAULIC OIL, Return, See Figure(s) 08-03, 08-04
7	123487A1	1	VALVE, 1-1/4 stem x 1-5/8 Or, Inc. 8
8	237-6020	1	O-RING, 20-1, 90 Duro, 1.475" ID x .118" Thk,
9	109207A1	1	HOSE, FLEXIBLE, 737 mm (29 in), Charge Pump Suction, Cut From 1541953C1
10	REF	1	INSTRUCTION, Pump, Hydrostatic Charge, See Figure(s) 06-08 - 06-12
11	217-184	1	FITTING, 1 1/4" Hose X 1 5/16"-12 ORB, Beaded,
12	237-6016	1	O-RING, 16-1, 90 Duro, 1.171" ID x .118" Thk,
13	217-175	1	FITTING, 5/8" Hose x 7/8"-14 ORB, Beaded, Includes 14
14	237-6010	1	O-RING, 10-1, 90 Duro, .755" ID x .097" Thk,
15	238622A1	1	HOSE, FLEXIBLE, 737 mm (29 in), To Unloader Clutch Valve, Cut From S118576X
16	214-1410	2	CLAMP, HOSE, #10, 0.56/1.06 Type F Worm,
17	201-103	1	CONNECTOR, HYD., 1"-14 ORFS x 7/8"-14 ORB, Includes 18, 19
18	237-6010	1	O-RING, 10-1, 90 Duro, .755" ID x .097" Thk,
19	238-6021	1	O-RING, -021, 90 Duro, .926" ID x .070" Thk,
20	370263A1	1	HOSE, FLEXIBLE, 660 mm (26 in), To Air Screen Motor
21	370228A1	1	ELBOW, 90, Special, Inc. 22
22	237-6020	1	O-RING, 20-1, 90 Duro, 1.475" ID x .118" Thk,
23	122428A1	1	SWITCH, Fluid Level

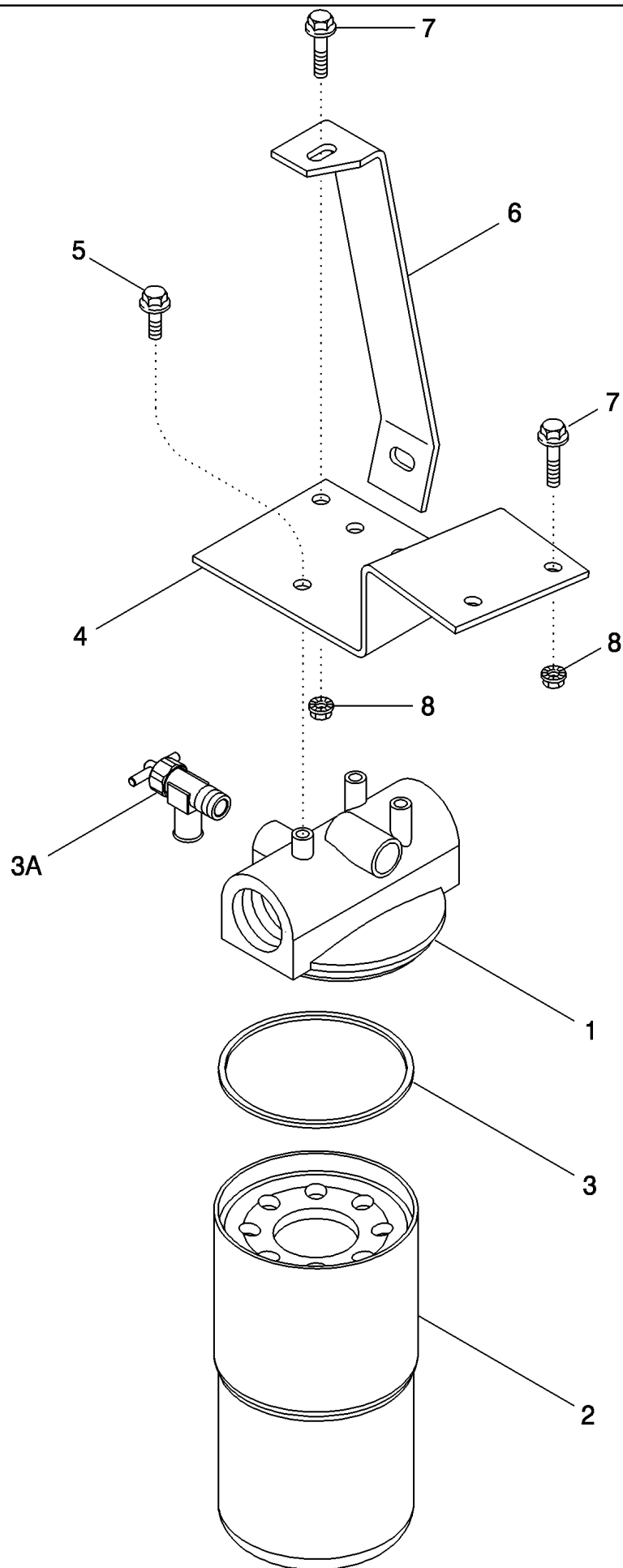
08-03 FILTER ASSY - OIL, RETURN - RETURN FILTER MOUNTING



08-03 FILTER ASSY - OIL, RETURN - RETURN FILTER MOUNTING

Ref	Part Number	Qty	Description
	87784C92	1	FILTER, HYDRAULIC OIL, Inc. 1 - 3A
1	NSS	1	NOT SERVICED SEPARATELY, Head, Order 87784C92
2	A177605	1	FILTER, HYDRAULIC OIL, Order Kit 1329214C1, Note: Both elements must be changed at the same time.
3	93196C1	1	O-RING, Order Kit 1329214C1
3A	301803R1	1	VALVE, SHUT-OFF,
4	124803A2	1	SUPPORT, Charge Filter
5	409-7616	2	BOLT, Hex Flg, 3/8"-16 x 1", Serr,
6	231-5146	2	NUT, Flg, USR, 3/8"-16,
7	409-768	3	BOLT, Hex Flg, 3/8"-16 x 1/2", Serr,
8	1541544C2	1	STEM,
9	231-5146	3	NUT, Flg, USR, 3/8"-16,
10	413-616	1	BOLT, Hex, 3/8"-16 x 1", G5, Full Thd,
11	495-81143	1	WASHER, 13/32" x 1 1/2" x .120",
12	1954736C1	1	CLAMP, HOSE, No. 24
13	1347069C1	1	HOSE, FLEXIBLE, 1550 mm (61 in), Cut From 1977295C1
14	515-23286	2	CLAMP, 1 1/8", Insul, 3/8" Bolt,
15	409-7512	2	BOLT, Hex Flg, 5/16"-18 x 3/4", Serr,
16	231-5145	2	NUT, Flg, USR, 5/16"-18,
	1329214C1	1	KIT, SERVICE, Inc. Two Elements and Four Seals, Note: Both elements must be changed at the same time.

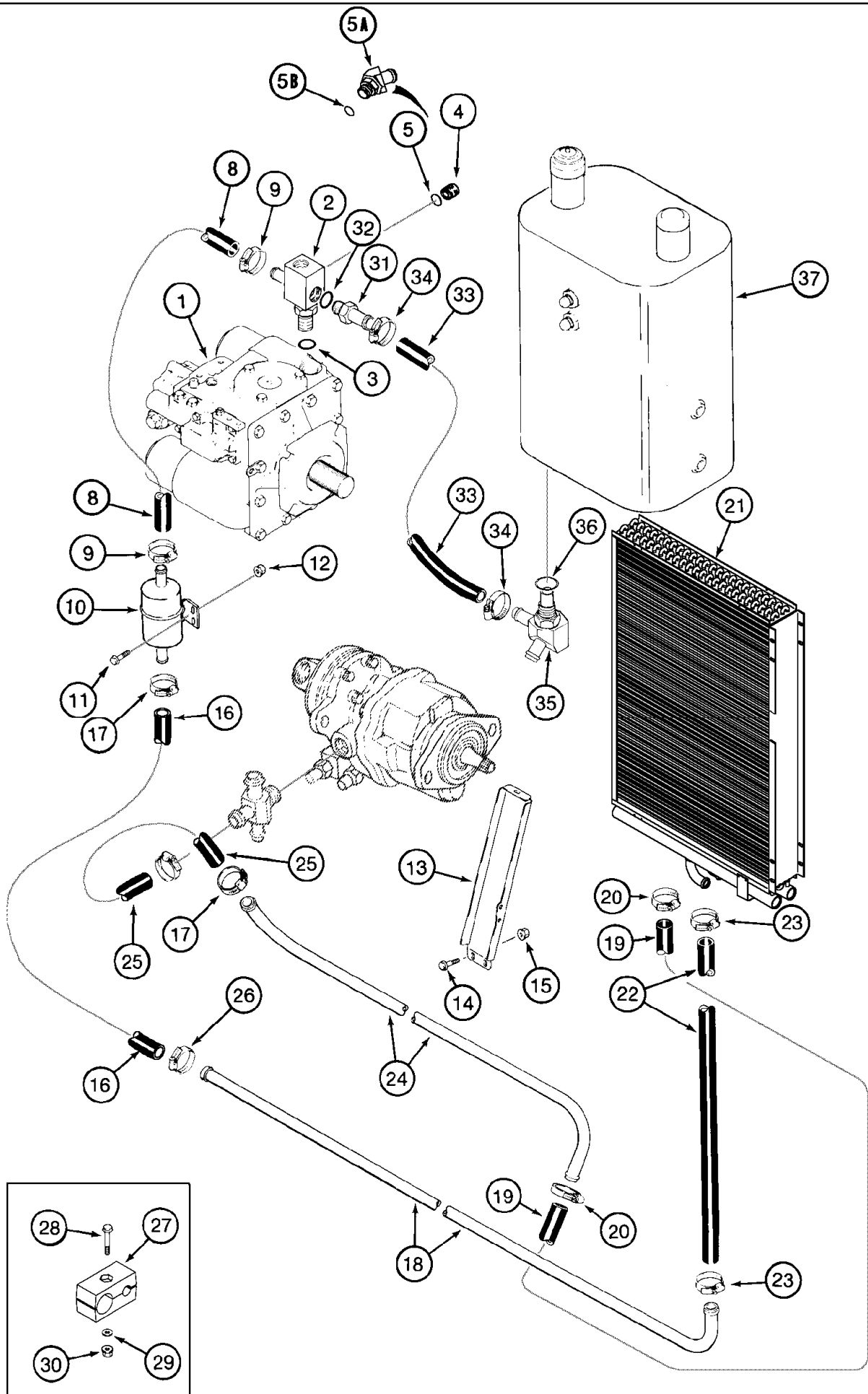
08-04 HYDROSTATIC - FILTER, PUMP SUCTION - SUCTION FILTER MOUNTING



08-04 HYDROSTATIC - FILTER, PUMP SUCTION - SUCTION FILTER MOUNTING

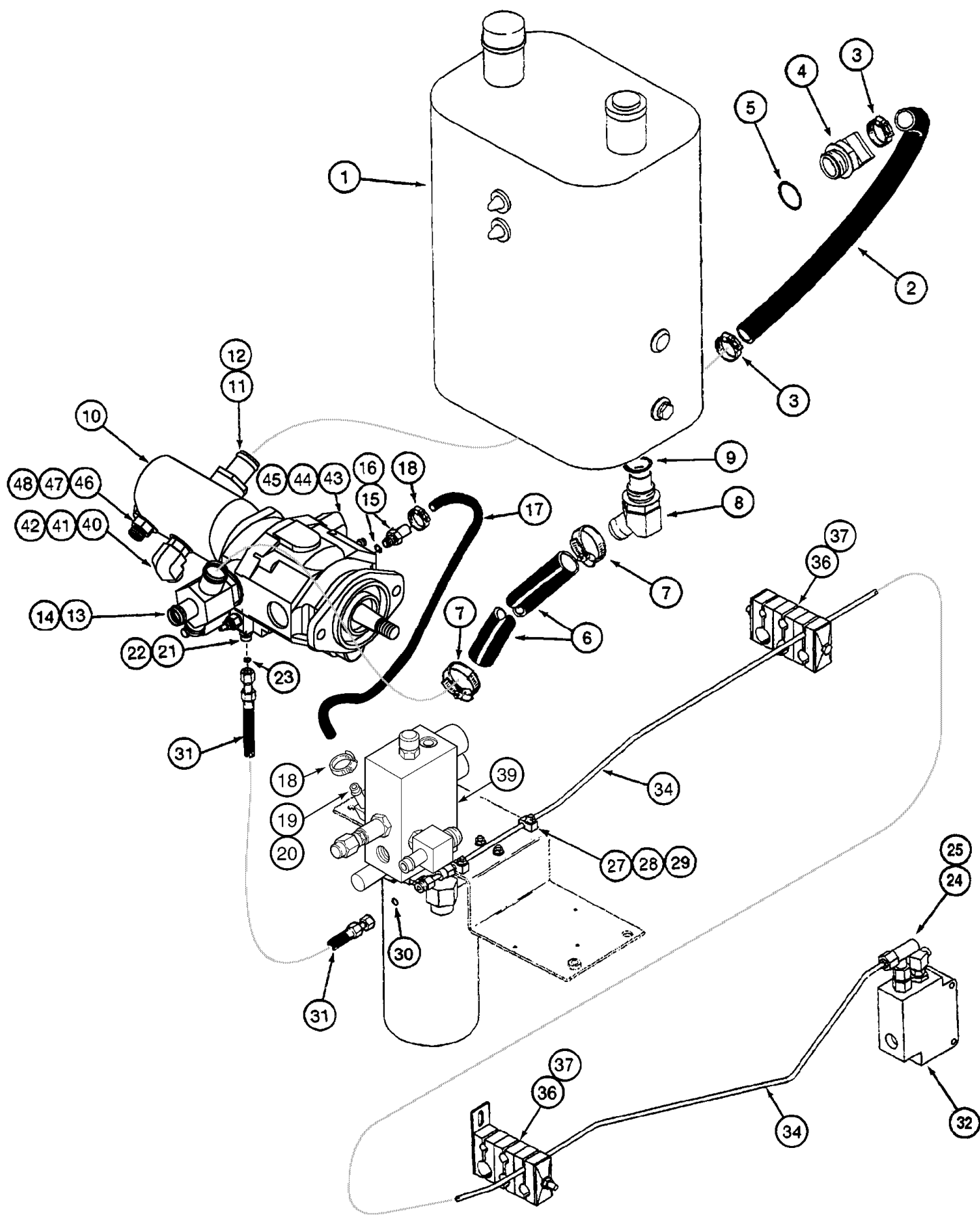
Ref	Part Number	Qty	Description
	87784C92	1	FILTER, HYDRAULIC OIL, Inc. 1 - 3A
1	NSS	1	NOT SERVICED SEPARATELY, Head, Order 87784C92
2	A177605	1	FILTER, HYDRAULIC OIL, Order Kit 1329214C1, Note: Both elements must be changed at the same time.
3	93196C1	1	O-RING, Order Kit 1329214C1
3A	301803R1	1	VALVE, SHUT-OFF,
4	444454A1	1	BRACKET,
5	409-768	4	BOLT, Hex Flg, 3/8"-16 x 1/2", Serr,
6	444455A1	1	STRAP,
7	409-7616	4	BOLT, Hex Flg, 3/8"-16 x 1", Serr,
8	231-5146	4	NUT, Flg, USR, 3/8"-16,
	1329214C1	1	KIT, SERVICE, Inc. Two Elements and Four Seals, Note: Both elements must be changed at the same time.

08-05 OIL COOLER SYSTEM



08-05 OIL COOLER SYSTEM

Ref	Part Number	Qty	Description
1	REF	1	INSTRUCTION, Pump Assy, Hydrostatic, See Figure(s) 06-08 - 06-12
2	123521A2	1	TEE, Inc. 3
3	237-6012	1	O-RING, 12-1, 90 Duro, .924 ID x .118" Thk,
4	76349	1	PLUG, Hex Hd, 9/16"-18 ORB, Inc. 5, Without Power Guide Axle
5	237-6006	1	O-RING, 6-1, 90 Duro, .468" ID x .078" Thk,
5A	87302140	1	FITTING, 45c, 1/2" Hose x 9/16"-18 ORB Beaded, Includes 5B, With Power Guide Axle
5B	237-6006	1	O-RING, 6-1, 90 Duro, .468" ID x .078" Thk,
6	177678A1	1	SWITCH, Inc. 7, Oil Temperature, (Not Shown), See Figure 04-03, REF 22
7	237-6008	1	O-RING, 8-1, 90 Duro, .644" ID x .087" Thk, , See Figure 04-03, REF 22A
8	87301580	1	HOSE, FLEXIBLE, HOSE 510 mm (20-1/16 in), Pump to Filter, Cut From 364361C1
9	214-1516	2	CLAMP, HOSE, #16, .81/1.50 Type F Worm, W/liner,
10	123488A1	1	SCREEN, FILTER, In-Line
11	409-7616	2	BOLT, Hex Flg, 3/8"-16 x 1", Serr,
12	231-5146	2	NUT, Flg, USR, 3/8"-16,
13	237714A1	1	SUPPORT,
14	409-7616	2	BOLT, Hex Flg, 3/8"-16 x 1", Serr,
15	231-5146	2	NUT, Flg, USR, 3/8"-16,
16	127983A1	1	HOSE, FLEXIBLE, 430 mm (16-15/16 in), Filter to Tube, Cut From 1541952C1
17	214-3228	2	CLAMP, HOSE, 1.00/1.875 HD Worm, W/liner,
18	126850A1	1	TUBE, Oil Cooler Supply
19	87415583	1	HOSE, FLEXIBLE, 2070mm (81.5 in), Cut From 1541952C1
20	214-1516	1-2	CLAMP, HOSE, #16, .81/1.50 Type F Worm, W/liner,
20	214-3228	1	CLAMP, HOSE, 1.00/1.875 HD Worm, W/liner,
21	444921A3	1	COOLER, OIL, Oil, Corn and Grain Combine
22	87415583	1	HOSE, FLEXIBLE, 2070mm (81.5 in), Cut From 1541952C1
23	214-1516	2	CLAMP, HOSE, #16, .81/1.50 Type F Worm, W/liner,
24	126851A1	1	TUBE, Cooler Return
25	128080A1	1	HOSE, FLEXIBLE, 762 mm (30 in), Cut From 1541952C1
26	214-3228	2	CLAMP, HOSE, 1.00/1.875 HD Worm, W/liner,
27	1347071C1	2	CLAMP, Clamp, 1 inch Dual
28	413-540	2	BOLT, Hex, 5/16"-18 x 2 1/2", G5,
28A	413-528	2	BOLT, Hex, 5/16"-18 x 1 3/4", G5, (Not Shown)
29	495-11041	2	WASHER, 3/8", SAE,
30	231-5345	4	NUT, LOCK, Flg, 5/16"-18,
31	123487A1	1	VALVE, 40 psi, Inc. 32
32	237-6014	1	O-RING, 14-1, 90 Duro, 1.048" ID x .118" Thk,
33	238622A1	1	HOSE, FLEXIBLE, 737 mm (29 in), Cut From 364361C1
34	214-3228	2	CLAMP, HOSE, 1.00/1.875 HD Worm, W/liner,
35	182812A1	1	TEE, Inc. 36
36	237-6020	1	O-RING, 20-1, 90 Duro, 1.475" ID x .118" Thk,
37	REF	1	INSTRUCTION, Tank, Hydraulic Oil, See Figure 08-01



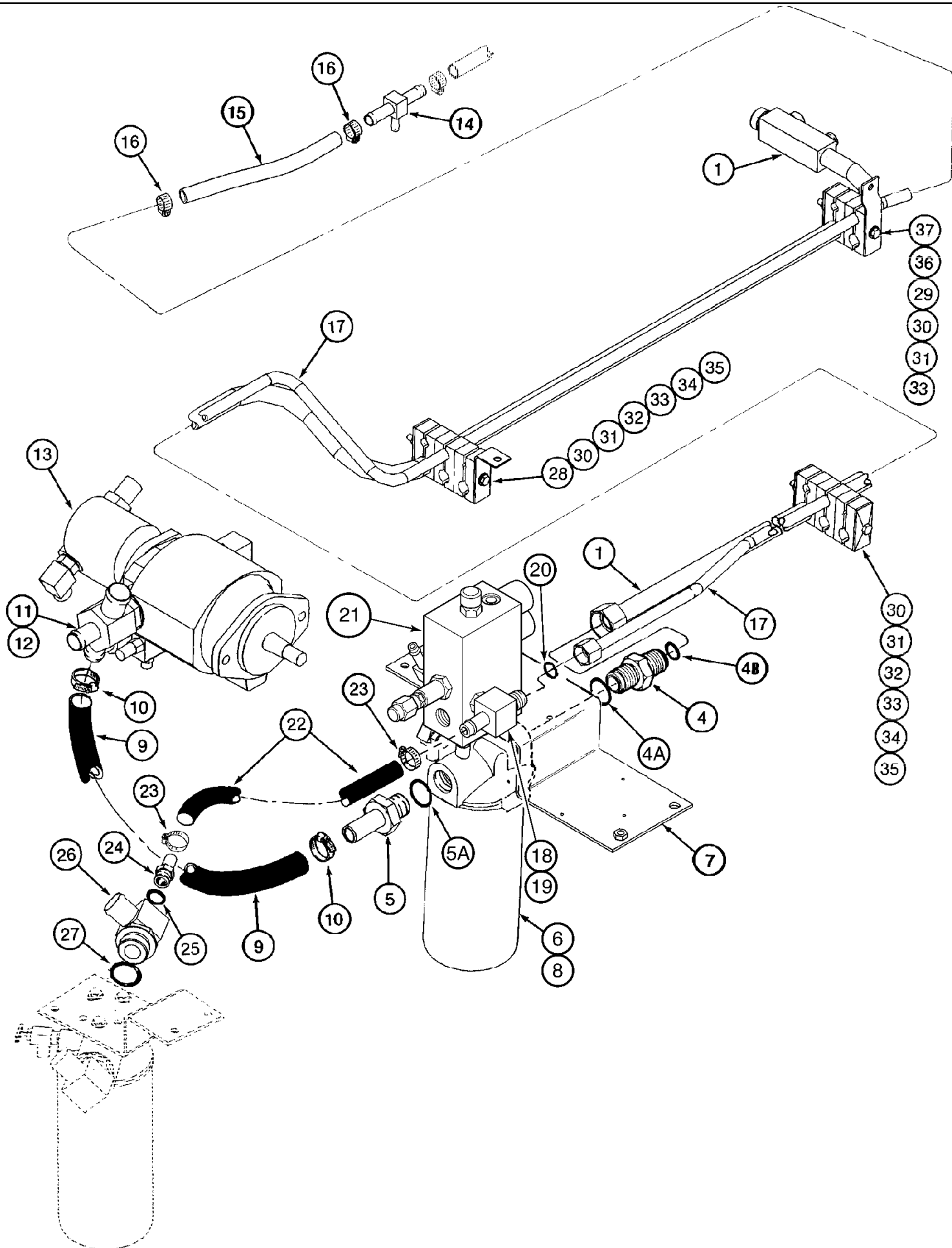
08-06 HYDRAULICS - AUXILIARY PUMP SUPPLY

Ref	Part Number	Qty	Description
1	86991459	1	RESERVOIR, HYDRAULIC OIL, , See Figure 08-01
2	1541688C1	1	HOSE, FLEXIBLE, 660 mm (26 in), Suction to Reel Drive Pump, Cut From 1541953C1
3	214-3232	2	CLAMP, HOSE, 1.25/2.125 HD Worm, W/liner,
4	217-317	1	FITTING, 45e, 1 1/4" Hose x 1 5/8"-12 ORB Beaded, Inc. 5
5	237-6020	1	O-RING, 20-1, 90 Duro, 1.475" ID x .118" Thk,
6	184618A1	1	HOSE, FLEXIBLE, 305 mm (12-1/8 in), Suction to Header Lift Pump, Cut From 1541953C1
7	214-3232	2	CLAMP, HOSE, 1.25/2.125 HD Worm, W/liner,
8	182811A1	1	ELBOW, Inc. 9
9	237-6020	1	O-RING, 20-1, 90 Duro, 1.475" ID x .118" Thk,
10	NSS	1	NOT SERVICED SEPARATELY, Pump, Hydraulic, Auxiliary, Order Component Parts, See Figure 08-08
11	217-178	1	FITTING, 1 1/4" Hose X 1 5/8"-12 ORB, Beaded,
12	237-6016	1	O-RING, 16-1, 90 Duro, 1.171" ID x .118" Thk,
13	182813A1	1	TEE, 1-1/4 x 1 x 1 in, Inc. 14
14	237-6020	1	O-RING, 20-1, 90 Duro, 1.475" ID x .118" Thk,
15	217-387	1	FITTING, 3/8" Hose x 9/16"-18 ORB, Beaded, Inc.16
16	237-6006	1	O-RING, 6-1, 90 Duro, .468" ID x .078" Thk,
17	128005A1	1	HOSE, FLEXIBLE, 445 mm (17-5/8 in), Pump Case Drain, Cut From S118400X
18	214-1706	2	CLAMP, HOSE, #6, 0.44/0.78 Type M Worm,
19	217-347	1	FITTING, 90e, 3/8" Hose x 9/16"-18 ORB Beaded, Inc. 20
20	237-6006	1	O-RING, 6-1, 90 Duro, .468" ID x .078" Thk,
21	201-100	1	CONNECTOR, HYD., 9/16"-18 ORFS x 7/16"-20 ORB, Inc. 22, 23
22	237-6004	1	O-RING, 4-1, 90 Duro, .351" ID x .072" Thk,
23	238-6011	1	O-RING, -011, 90 Duro, .301" ID x .070" Thk,
24	201-434	1	TEE, 11/16"-18 ORFS x 11/16"-18 Sw Br, Inc. 25
25	238-6012	2	O-RING, -012, 90 Duro, .364" ID x .070" Thk,
27	236558A1	2	CLAMP,
28	413-420	2	BOLT, Hex, 1/4"-20 x 1 1/4", G5,
29	231-5344	2	NUT, LOCK, Flg, 1/4"-20,
30	238-6011	1	O-RING, -011, 90 Duro, .301" ID x .070" Thk,
31	255209A1	1	HOSE, FLEXIBLE, 530 mm (20-7/8 in), Pump Signal
31A	201-145	1	REDUCER, 9/16"-18 Male x 11/16"-16 Fem, ORFS, (Not Shown)
32	114851A2	1	VALVE, Steering, See Figure 05-26, REF 3
34	252596A1	1	TUBE, Signal
36	255212A1	AR	CLAMP,
37	413-420	AR	BOLT, Hex, 1/4"-20 x 1 1/4", G5,
39	384307A1	1	VALVE, SOLENOID, Pressure Regulator, See Figure 08-28
40	201-306	1	ELBOW, 90e, 1"-14 x 7/8"-14 Adj, ORFS, Inc. 41, 42
41	237-6010	1	O-RING, 10-1, 90 Duro, .755" ID x .097" Thk,
42	238-6016	1	O-RING, -016, 90 Duro, .614" ID x .070" Thk,
43	201-307	1	ELBOW, 90e, 1 3/16"-12 x 1 1/16"-12 Adj, ORFS, Inc. 44, 45
44	237-6012	1	O-RING, 12-1, 90 Duro, .924 ID x .118" Thk,
45	238-6018	1	O-RING, -018, 90 Duro, .739" ID x .070" Thk,

08-06 HYDRAULICS - AUXILIARY PUMP SUPPLY

Ref	Part Number	Qty	Description
46	201-112	1	CONNECTOR, HYD., 13/16"-16 ORFS x 7/8"-14 ORB,
47	238-6014	1	O-RING, -014, 90 Duro, .489" ID x .070" Thk,
48	237-6010	1	O-RING, 10-1, 90 Duro, .755" ID x .097" Thk,

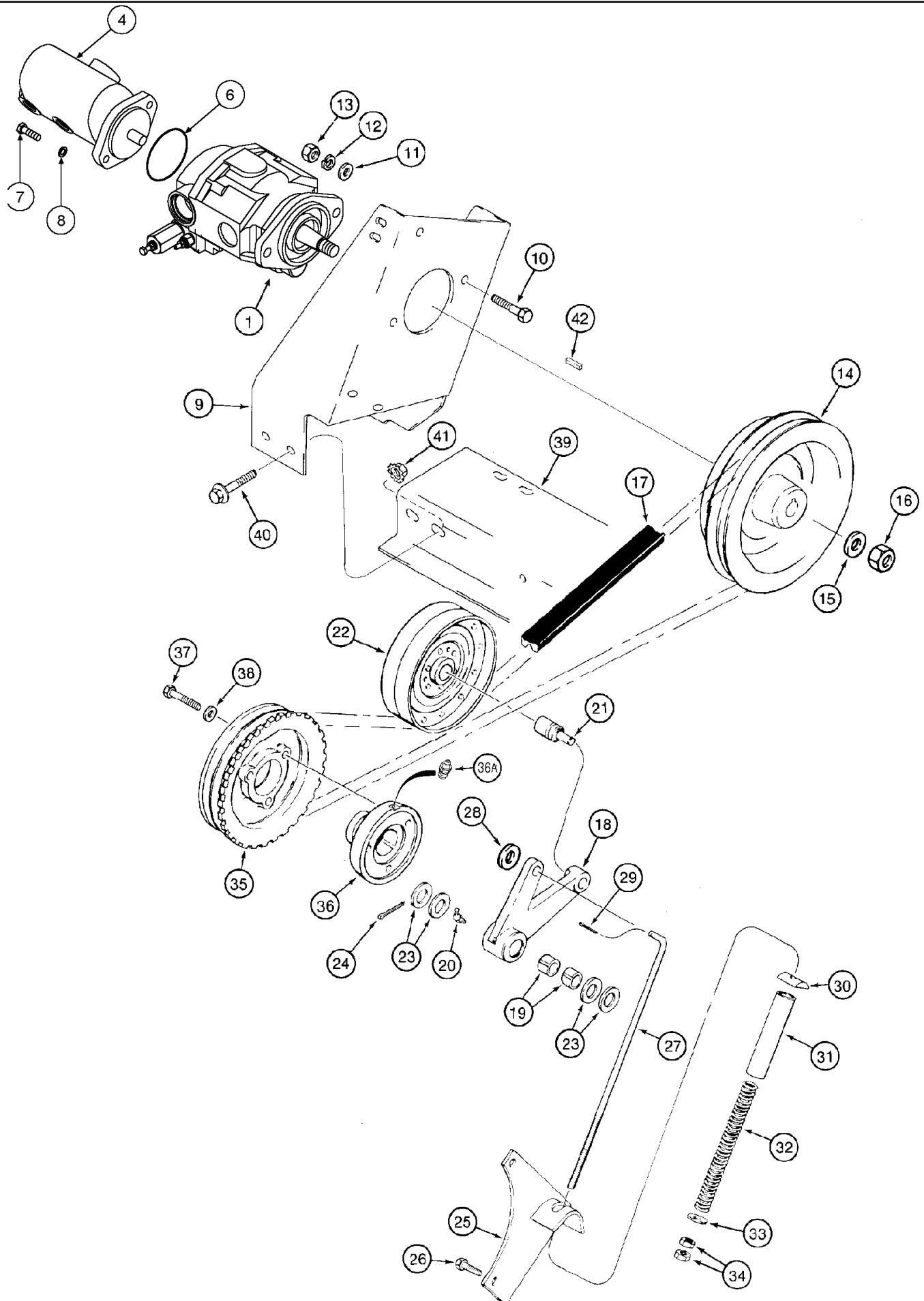
08-07 HYDRAULICS - AUXILIARY PUMP RETURN



08-07 HYDRAULICS - AUXILIARY PUMP RETURN

Ref	Part Number	Qty	Description
1	124380A1	1	TUBE, HYD, Manifold, Return
4	201-122	1	CONNECTOR, HYD., 1 7/16"-12 ORFS x 1 5/8"-12 ORB, Inc. 4A, 4B
4A	237-6020	1	O-RING, 20-1, 90 Duro, 1.475" ID x .118" Thk,
4B	238-6021	1	O-RING, -021, 90 Duro, .926" ID x .070" Thk,
5	217-173	1	FITTING, 1" Hose x 1 5/8"-12 ORB, Beaded, Includes Ref. 5A
5A	237-6020	1	O-RING, 20-1, 90 Duro, 1.475" ID x .118" Thk,
6	87784C92	1	FILTER, HYDRAULIC OIL, Return Oil,, See Figure 08-03
7	124803A2	1	SUPPORT,
8	409-768	3	BOLT, Hex Flg, 3/8"-16 x 1/2", Serr,
9	1541692C1	1	HOSE, FLEXIBLE, 640 mm (25-1/4 in), Cut From 1541952C1
10	214-3228	2	CLAMP, HOSE, 1.00/1.875 HD Worm, W/liner,
11	182813A1	1	TEE, 1-1/4 x 1 x 1 in, Inc. 12
12	237-6020	1	O-RING, 20-1, 90 Duro, 1.475" ID x .118" Thk,
13	NSS	1	NOT SERVICED SEPARATELY, Pump, Hydraulic, Auxiliary, See Figure 08-08
14	177975A1	1	TEE, 5/8 x 3/8 x 5/8, For Attaching Parts, See Figure 08-18, REF 32
15	128104A2	1	HOSE, FLEXIBLE, 250 mm (9-7/8 in), Cut From S118576X
16	214-1410	2	CLAMP, HOSE, #10, 0.56/1.06 Type F Worm,
17	141659A1	1	TUBE, Return, Low Pressure
18	141657A1	1	TEE, Inc. 19, 20, Return Tube at Regulator Valve
19	237-6008	1	O-RING, 8-1, 90 Duro, .644" ID x .087" Thk,
20	238-6016	1	O-RING, -016, 90 Duro, .614" ID x .070" Thk,
21	384307A1	1	VALVE, SOLENOID, Pressure Regulator, See Figure 08-28
22	87408006	1	HOSE, 685 mm (27 in), Return, Cut From S118576X
23	214-1410	2	CLAMP, HOSE, #10, 0.56/1.06 Type F Worm,
24	217-175	1	FITTING, 5/8" Hose x 7/8"-14 ORB, Beaded, Includes 25
25	237-6010	1	O-RING, 10-1, 90 Duro, .755" ID x .097" Thk,
26	370228A1	1	ELBOW, Suction, Charge Pump Filter, Inc. 27
27	237-6020	1	O-RING, 20-1, 90 Duro, 1.475" ID x .118" Thk,
28	135355A1	1	SUPPORT, Center
29	122950A1	1	SUPPORT, Front
30	118577A1	3	CLAMP, , Matched Set for 1 and 1/2 Inch Diameter Tubes
31	124668A1	3	CLAMP, , Matched Set for 3/4 and 5/8 Inch Diameter Tubes
32	255212A1	2	CLAMP, , Matched Set for 3/4 and 5/8 Inch Diameter Tubes
33	1347127C1	4	PLATE,
34	413-588	2	BOLT, Hex, 5/16"-18 x 5 1/2", G5,
35	231-5315	2	NUT, LOCK, Flg, 5/16"-18,
36	413-564	1	BOLT, Hex, 5/16"-18 x 4", G5,
37	231-5315	1	NUT, LOCK, Flg, 5/16"-18,

08-08 PUMP, AUXILIARY - MOUNTING AND DRIVE



08-08 PUMP, AUXILIARY - MOUNTING AND DRIVE

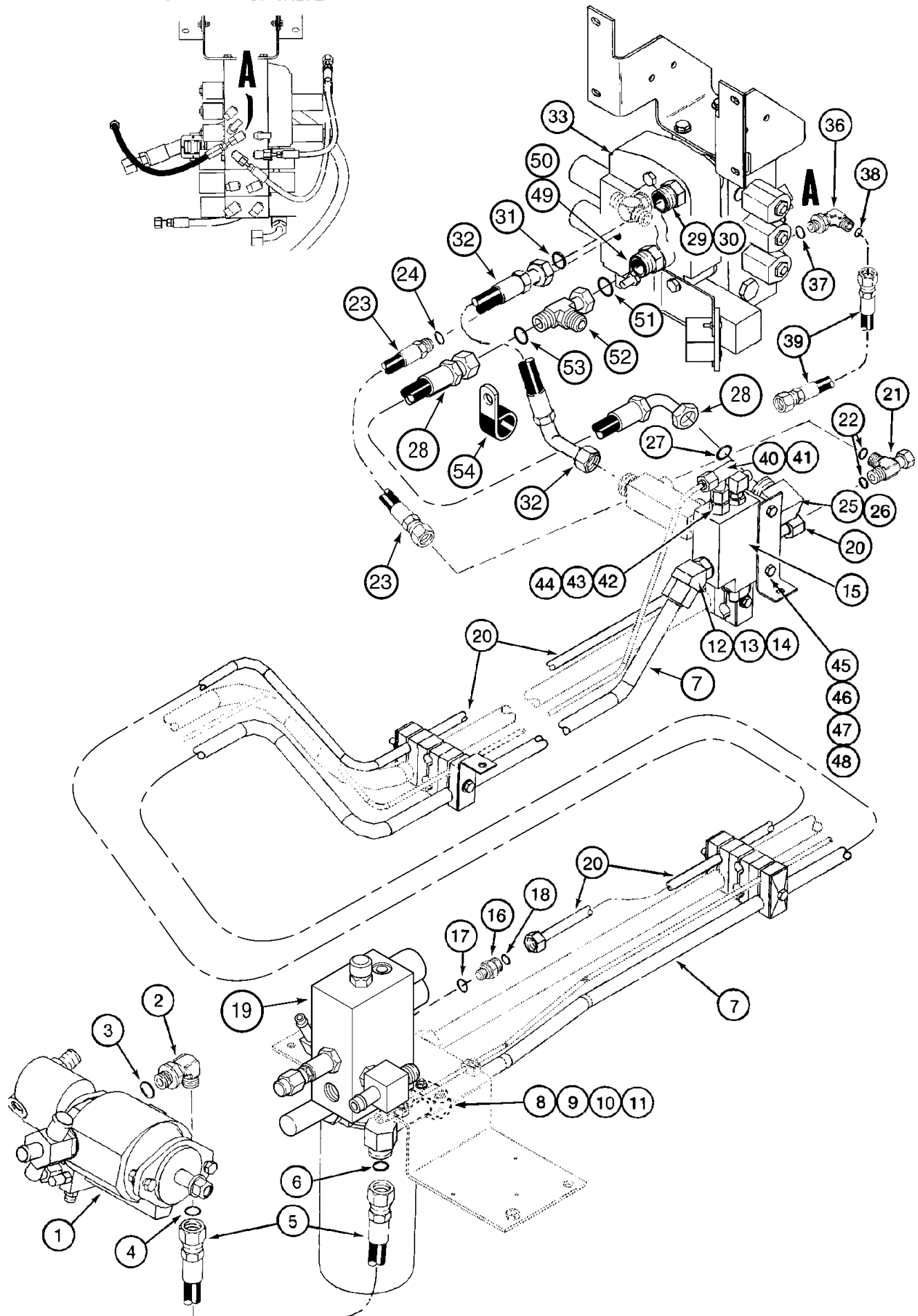
Ref	Part Number	Qty	Description
	NSS	1	NOT SERVICED SEPARATELY, Pump, Hydraulic, Auxiliary, Inc. 1- 8, 8B, Order Component Parts
1	87338787	1	PUMP, HYDRAULIC, Piston Type, Front, Inc. 2, 3
2	87510575	1	KIT, SEALS, Seal Repair, Piston Pump, (Not Shown)
3	87510576	1	COMPENSATOR, Piston Pump, Inc. 3A, (Not Shown)
3A	87510577	1	KIT, SEALS, Seal, Compensator Spool, (Not Shown)
4	375147A1	1	PUMP, HYDRAULIC, Rear, Inc. 5
5	291744A1	1	KIT, SEALS, Seal, (Not Shown)
6	238-6042	1	O-RING, -042, 90 Duro, 3.239" ID x .070" Thk, Used Between Pumps
7	413-620	2	BOLT, Hex, 3/8"-16 x 1 1/4", G5, Full Thd,
8	495-81265	2	WASHER, .391" x 5/8" x .065",
8A	62-32520	4	SCREW, Hex Soc Hd, 1/4"-28 x 1 1/4", Mounts Regulator to Pump Assembly, (Not Shown)
8B	238-6042	1	O-RING, -042, 90 Duro, 3.239" ID x .070" Thk,
9	443255A1	1	SUPPORT, Auxiliary Pump, BSN HAJ301674
9	87635893	1	SUPPORT ASSY., Auxiliary Pump, ASN HAJ301674
10	413-824	2	BOLT, Hex, 1/2"-13 x 1 1/2", G5, Full Thd,
11	86624146	2	WASHER, 17/32" x 1" x .120",
12	80679	2	WASHER, LOCK, 1/2",
13	425-108	2	NUT, 1/2"-13, G5,
14	122948A1	1	PULLEY, Drive, Auxiliary Pump
15	496-21081	1	WASHER, 13/16" x 1 1/2" x .179", HDN,
16	231-46112	1	NUT, LOCK, 3/4"-16, GB,
17	440498A3	1	BELT, Drive
18	1330517C1	1	LEVER, Auxiliary Pump Drive, Inc. 19
19	188068C1	2	BUSHING,
20	219-90	1	NIPPLE, LUBE, 45c, 1/4" NPT x .80" lg, Drive,
21	274844R91	1	BEARING, Idler Pulley
22	192865C1	1	PULLEY, 8 in OD, Idler
23	495-81073	AR	WASHER, 1 1/32" x 1 3/4" x .060",
24	432-1624	1	PIN, SPLIT (COTTER), 1/4" x 1 1/2",
25	194729C2	1	SUPPORT, Pump Drive
26	413-828	2	BOLT, Hex, 1/2"-13 x 1 3/4", G5,
27	191823C2	1	ROD, Auxiliary Drive Jackshaft
28	495-11053	1	WASHER, 1/2", SAE,
29	432-1216	1	PIN, SPLIT (COTTER), 3/16" x 1",
30	194652C1	1	PIVOT,
31	87331922	1	SPACER, 165 mm (6-1/2 in)
32	V368	1	SPRING,
33	495-81287	1	WASHER, 17/32" x 1 1/4" x .120",
34	425-108	2	NUT, 1/2"-13, G5,
35	1330488C1	1	PULLEY, 8.85 OD, Drive, Auxiliary Pump, Items 35 - 38 are part of the gearbox assembly. See Figure 06-01.
36	196482C3	1	HUB, Grease Fitting Access Hole
36A	219-87	1	NIPPLE, LUBE, 1/4"-28 x .56" lg, Self-Tap,

08-08 PUMP, AUXILIARY - MOUNTING AND DRIVE

Ref	Part Number	Qty	Description
37	426-840	3	BOLT, Hex, 1/2"-13 x 2 1/2", G8,
38	495-11053	3	WASHER, 1/2", SAE,
39	112454A5	1	SUPPORT, Jackshaft and Auxiliary Pump, See Figure 09A-05, BSN HAJ301674
39	87642895	1	SUPPORT ASSY., Jackshaft and Auxiliary Pump, See Figure 09A-05, ASN HAJ301674
40	87302717	4	SCREW, 1/2 x 1-1/4; 8, BSN HAJ301674
40	87302717	6	SCREW, , ASN HAJ301674
40	409-7824	1	BOLT, Hex Flg, 1/2"-13 x 1 1/2", Serr, , ASN HAJ301674
41	87301492	4	NUT, Flg, USR, 1/2"-13, G8, , BSN HAJ301674
41	87301492	7	NUT, Flg, USR, 1/2"-13, G8, , ASN HAJ301674
42	194022A1	1	NIPPLE, LUBE, Pump Shaft

08-09 HYDRAULICS - HEADER LIFT VALVE SUPPLY

FRONT VIEW OF VALVE

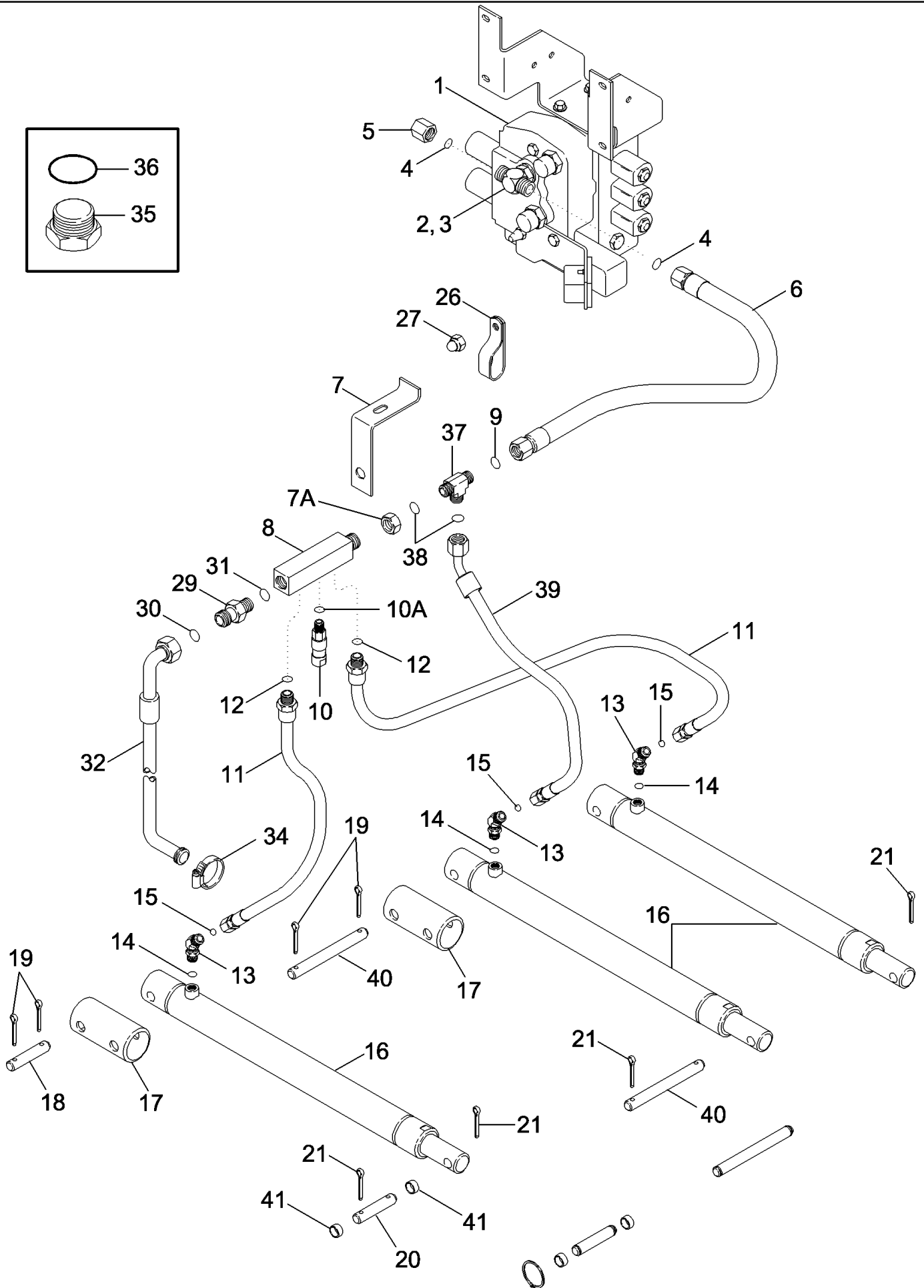
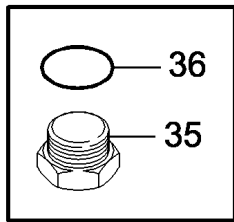


08-09 HYDRAULICS - HEADER LIFT VALVE SUPPLY

Ref	Part Number	Qty	Description
1	NSS	1	NOT SERVICED SEPARATELY, Pump, Hydraulic, Auxiliary, See Figure 08-08, Order Component Parts
2	201-307	1	ELBOW, 90ε, 1 3/16"-12 x 1 1/16"-12 Adj, ORFS, Inc. 3, 4
3	237-6012	1	O-RING, 12-1, 90 Duro, .924 ID x .118" Thk,
4	238-6018	1	O-RING, -018, 90 Duro, .739" ID x .070" Thk,
5	87338783	1	HOSE, FLEXIBLE, 840 mm (33-1/8 in), Header Lift Supply
6	238-6018	1	O-RING, -018, 90 Duro, .739" ID x .070" Thk,
7	124375A2	1	TUBE, HYD, Header Lift Supply
8	1541538C1	1	CLAMP, Two Piece, 3/4 Inch OD Tube
9	1541537C1	1	PLATE,
10	413-432	2	BOLT, Hex, 1/4"-20 x 2", G5,
11	231-5344	2	NUT, LOCK, Flg, 1/4"-20,
12	201-352	1	ELBOW, 45ε, 1 3/16"-12 x 7/8"-14. Adj, ORFS, Includes Ref. 13, 14
13	237-6010	1	O-RING, 10-1, 90 Duro, .755" ID x .097" Thk,
14	238-6018	1	O-RING, -018, 90 Duro, .739" ID x .070" Thk,
15	114851A2	1	VALVE, Steering, See Figure 05-26
16	201-126	1	CONNECTOR, HYD., 13/16"-16 ORFS x 9/16"-20 ORB, Inc. 17, 18
17	237-6006	1	O-RING, 6-1, 90 Duro, .468" ID x .078" Thk,
18	238-6014	1	O-RING, -014, 90 Duro, .489" ID x .070" Thk,
19	384307A1	1	VALVE, SOLENOID, Pressure Regulator, See Figure 08-28
20	126870A1	1	TUBE, Supply, From Pressure Regulator
21	201-416	1	TEE, 13/16"-16 ORFS x 13/16"-16 Sw Run, Inc. 22
22	238-6014	2	O-RING, -014, 90 Duro, .489" ID x .070" Thk,
23	128101A1	1	HOSE, FLEXIBLE, 690 mm (27-1/4 in), Inc. 24, Header Lift Valve Regulator Supply
24	237-6006	1	O-RING, 6-1, 90 Duro, .468" ID x .078" Thk,
25	201-306	1	ELBOW, 90ε, 1"-14 x 7/8"-14 Adj, ORFS, Inc. 26, 27
26	237-6010	1	O-RING, 10-1, 90 Duro, .755" ID x .097" Thk,
27	238-6016	1	O-RING, -016, 90 Duro, .614" ID x .070" Thk,
28	400633A1	1	HOSE, FLEXIBLE, 735 mm (28-15/16 in), Header Lift Valve Supply
29	201-104	1-2	CONNECTOR, HYD., 1 3/16"-12 ORFS x 1 1/16"-12 ORB, Includes Ref. 30, 31
30	237-6012	1	O-RING, 12-1, 90 Duro, .924 ID x .118" Thk,
31	238-6018	1	O-RING, -018, 90 Duro, .739" ID x .070" Thk,
32	128097A1	1	HOSE, 710 mm (28 in), Header Lift Valve Return
33	124565A3	1	VALVE, CONTROL, Header Lift, See Figure 08-12
33	124566A3	1	VALVE, CONTROL, Header Lift With Reel Fore and Aft, See Figure 08-14
33	124567A3	1	VALVE, CONTROL, Header Lift With Reel Fore and Aft and Field Tracker, See Figure 08-15
36	201-324	1	ELBOW, 90ε, 9/16"-18 x 9/16"-18, Adj, ORFS, Includes Ref. 37, 38
37	237-6006	1	O-RING, 6-1, 90 Duro, .468" ID x .078" Thk,
38	238-6011	1	O-RING, -011, 90 Duro, .301" ID x .070" Thk,
39	127997A1	1	HOSE, FLEXIBLE, 640 mm (25-1/4 in), Pump Signal to Header Lift Valve
40	201-434	1	TEE, 11/16"-18 ORFS x 11/16"-18 Sw Br, Inc. 41
41	238-6012	2	O-RING, -012, 90 Duro, .364" ID x .070" Thk,
42	128328A1	1	FITTING, With Orifice Check Valve, Inc. 43, 44

08-09 HYDRAULICS - HEADER LIFT VALVE SUPPLY

Ref	Part Number	Qty	Description
43	237-6008	1	O-RING, 8-1, 90 Duro, .644" ID x .087" Thk,
44	238-6012	1	O-RING, -012, 90 Duro, .364" ID x .070" Thk,
45	124576A1	1	SUPPORT,
46	413-540	2	BOLT, Hex, 5/16"-18 x 2 1/2", G5,
47	495-11034	1	WASHER, 5/16", SAE,
48	231-5315	2	NUT, LOCK, Flg, 5/16"-18,
49	201-131	1	CONNECTOR, HYD., 1"-12 ORFS x 9/16"-18 ORB, Inc. 50, 51
50	237-6012	1	O-RING, 12-1, 90 Duro, .924 ID x .118" Thk,
51	238-6016	1	O-RING, -016, 90 Duro, .614" ID x .070" Thk,
52	201-433	1	TEE, 1"-14 ORFS x 1"-14 Sw Run,
53	238-6016	2	O-RING, -016, 90 Duro, .614" ID x .070" Thk,
54	515-23254	1	CLAMP, 1", Insul, 3/8" Bolt, Used with Ref. 32
55	409-7512	1	BOLT, Hex Flg, 5/16"-18 x 3/4", Serr,
56	231-5145	1	NUT, Flg, USR, 5/16"-18,



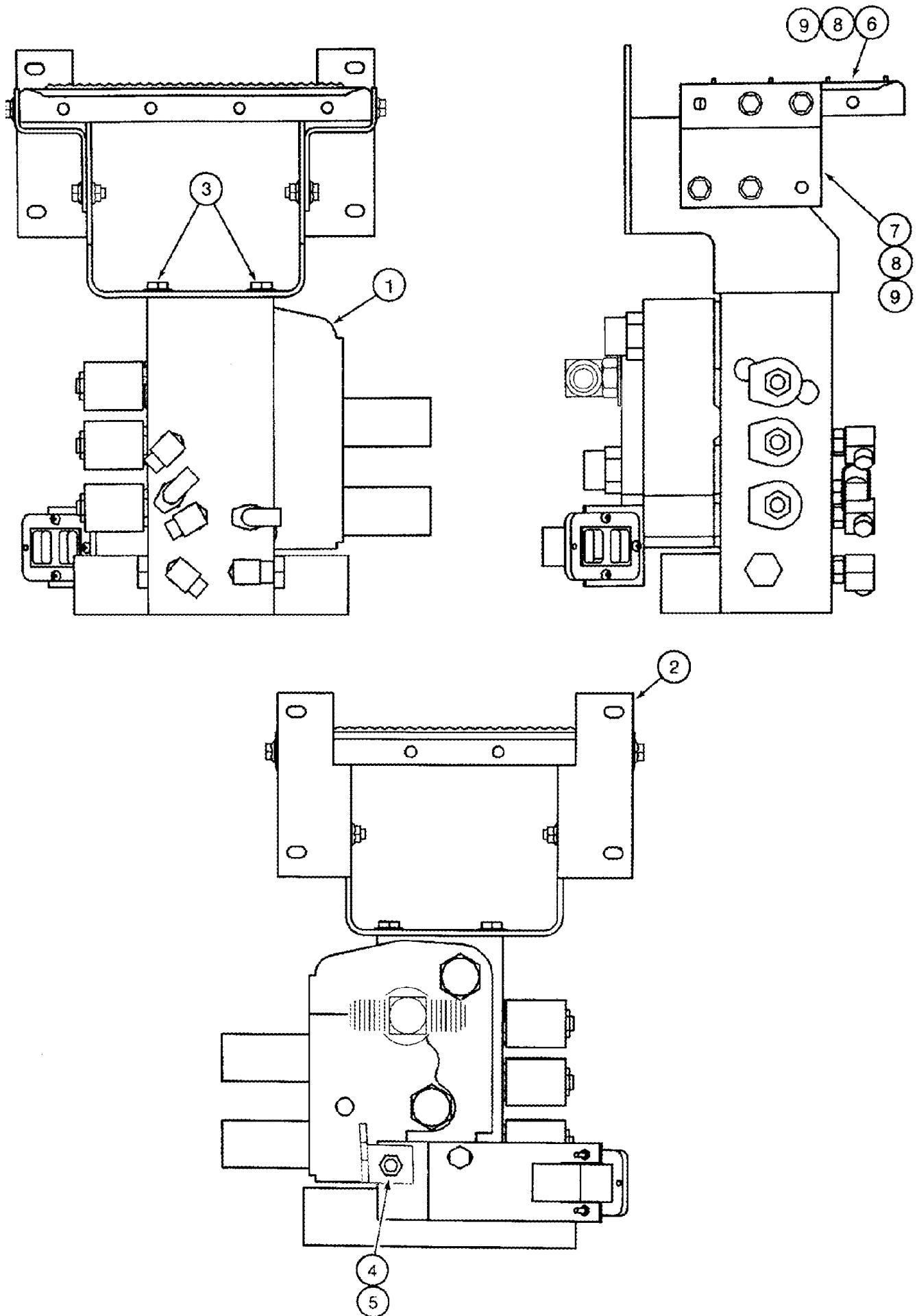
08-10 HYDRAULICS - HEADER LIFT

Ref	Part Number	Qty	Description
1	124565A3	1	VALVE, CONTROL, Header Lift , See Figure(s) 08-09, 08-11, 08-12, 08-14, 08-15
2	201-403	1	TEE, 1"-14 x 7/8"-14 Br, ORFS, Inc. 3, 4, See Figure 08-31
3	237-6010	1	O-RING, 10-1, 90 Duro, .755" ID x .097" Thk,
4	238-6016	2	O-RING, -016, 90 Duro, .614" ID x .070" Thk,
5	201-906	1	CAP, 1"-14 ORFS, , Without Accumulator
6	128024A2	1	HOSE, 2160 mm (85-1/8 in), Header Lift Supply
7	136489A1	1	SUPPORT, Manifold Bulkhead Fitting
7A	201-919	1	NUT, LOCK, Blkhd, 1"-14,
8	249910A1	1	MANIFOLD, Inc. 9, Feeder Lift Valve Cylinders, Thermal Relief
9	238-6016	1	O-RING, -016, 90 Duro, .614" ID x .070" Thk,
10	86975430	1	SENSOR, Inc. 10A, Header Float Pressure, For Attaching Parts, See Figure 04-13
10A	237-6003	1	O-RING, 3-1, .301" ID x .064" Thk,
11	128027A1	2	HOSE, 1070 mm (42-1/8 in), Manifold to Header Lift Cylinders, Inc. 12
12	238-6008	1	O-RING, -008, 90 Duro, .176" ID x .070" Thk,
13	201-348	2	ELBOW, 45e, 13/16"-16 x 3/4"-16. Adj, ORFS, Inc. 14, 15, Without Power Guide Axle
13A	201-305	2	ELBOW, 90e, 13/16"-18 x 3/4"-18 Adj, ORFS, Incl. 14, 15, (Not Shown), With Rock Trap
14	237-6008	1	O-RING, 8-1, 90 Duro, .644" ID x .087" Thk,
15	238-6014	1	O-RING, -014, 90 Duro, .489" ID x .070" Thk,
16	87385882	2-3	CYLINDER ASSY., Inc. 16A, Header Lift, Part Number Stamped On Cylinder
16A	87552535	1	KIT, SEALS, (Not Shown)
17	124059A2	2-3	TUBE SPACER, Extension, Lift Cylinder, With Rock Trap, With 54-1/2 Inch Feeder
18	242303A1	2	PIN, 1-1/4 x 6-1/2, Extension Tube to Cylinder
19	432-1632	2-4	PIN, SPLIT (COTTER), 1/4" x 2",
20	242303A1	4	PIN, 1-1/4 x 6-1/2, Header Lift Cylinder Mounting, BSN HAJ303001
21	432-1632	4-8	PIN, SPLIT (COTTER), 1/4" x 2", , BSN HAJ303001
26	470375C1	1	CLAMP, Double, Purchase Locally
27	231-5145	1	NUT, Flg, USR, 5/16"-18,
29	252300A2	1	VALVE, Thermal Relief, BSN HAJ301381
29	252300A3	1	VALVE, Thermal Relief, ASN HAJ301381
30	237-6006	1	O-RING, 6-1, 90 Duro, .468" ID x .078" Thk,
31	238-6012	1	O-RING, -012, 90 Duro, .364" ID x .070" Thk, Thermal Relief Valve
32	254734A1	1	HOSE, FLEXIBLE, 860 mm (33-7/8 in), Thermal Relief Valve Drain, For Attaching Parts, See Figure 07-05, REF 28
34	214-1706	1	CLAMP, HOSE, #6, 0.44/0.78 Type M Worm,
35	218-5152	1	PLUG, Hex Hd, 3/8"-24 ORB, Inc. 36, Feeder Lift without Foat
36	237-6003	1	O-RING, 3-1, .301" ID x .064" Thk,
37	201-433	1	TEE, 1"-14 ORFS x 1"-14 Sw Run, Inc. 38, 12 Row Ready
38	238-6016	2	O-RING, -016, 90 Duro, .614" ID x .070" Thk,
39	128028A1	1	HOSE, FLEXIBLE, 1140 mm (44-7/8 in), 12 Row Ready
40	403002A1	2-3	PIN, 1-1/4 x 10-1/4, 12 Row Ready, BSN HAJ303001
41	87351138	2	SPACER, Lift Cylinder Pin
42	103-16125	8-12	RING, SNAP, #125, Ext, , ASN HAJ303001
43	86632583	8-12	WASHER, 1 9/32" x 2" x .120", , ASN HAJ303001

08-10 HYDRAULICS - HEADER LIFT

Ref	Part Number	Qty	Description
44	87617973	2-4	PIN, Feeder Lift, Left Hand Long, ASN HAJ303001
45	87617974	2	PIN, Feeder Lift, ASN HAJ303001

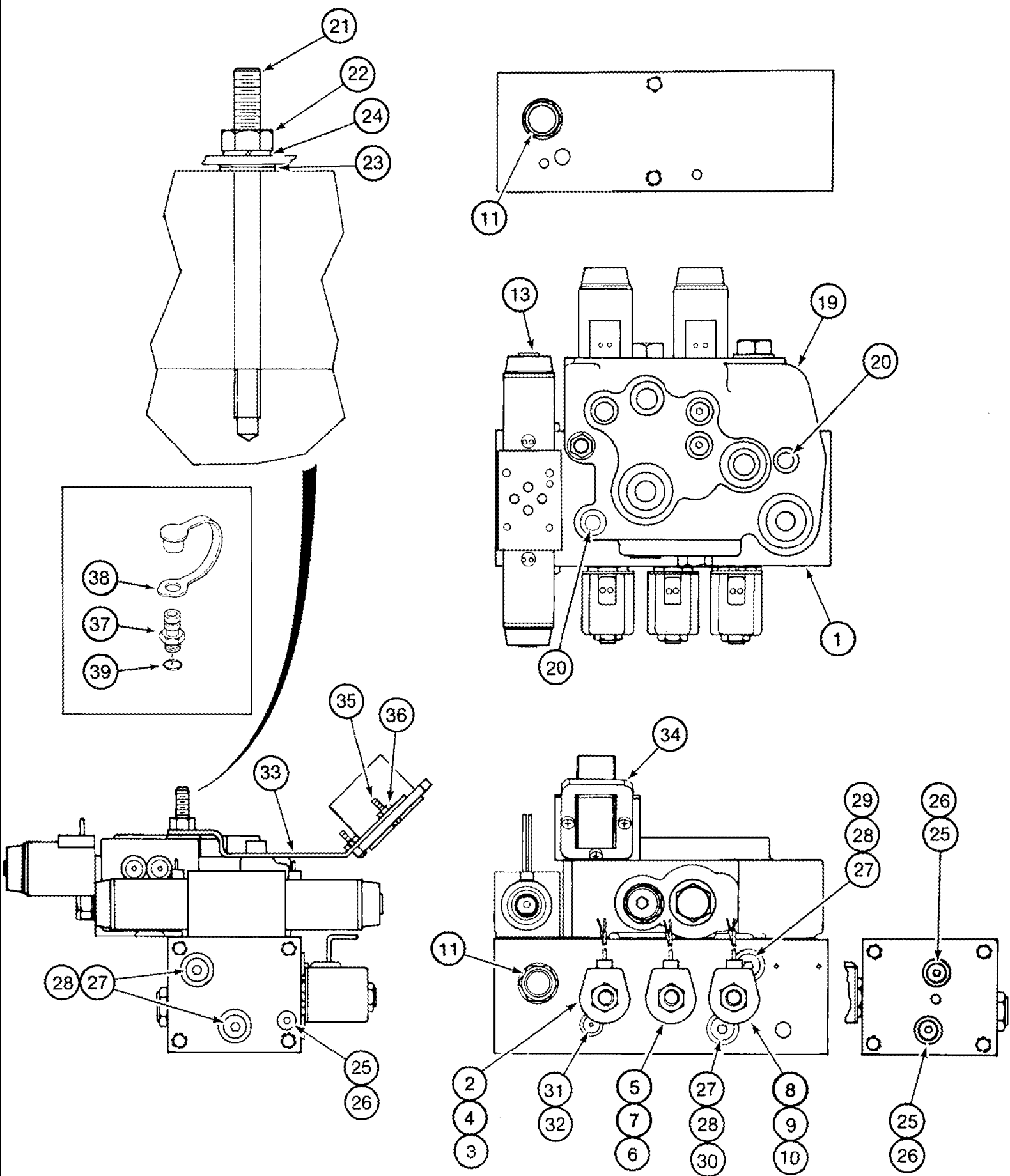
08-11 VALVE, CONTROL - MOUNTING



08-11 VALVE, CONTROL - MOUNTING

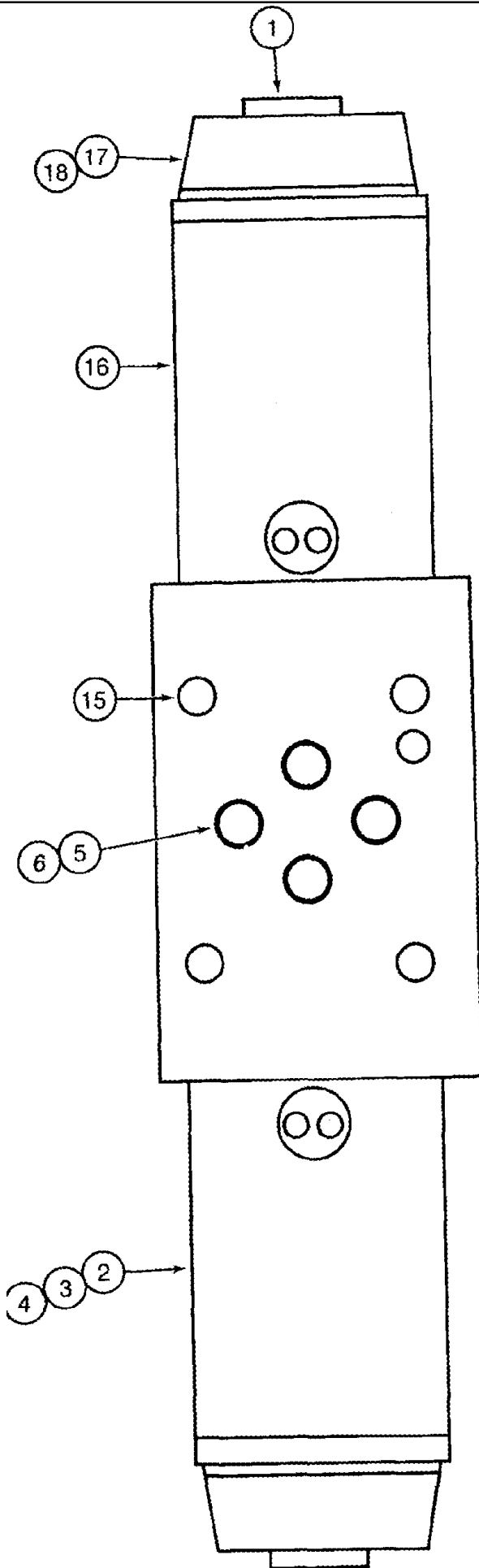
Ref	Part Number	Qty	Description
1	124565A3	1	VALVE, CONTROL, Header Lift , See Figure(s) 08-09, 08-10, 08-12, 08-14, 08-15, If Used
1	124566A3	1	VALVE, CONTROL, Header Lift With Reel Fore and Aft, See Figure(s) 08-09, 08-14, If Used
1	124567A3	1	VALVE, CONTROL, Header Lift With Reel Fore and Aft and Field Tracker, See Figure(s) 08-09, 08-15, If Used
2	123883A4	1	SUPPORT,
3	905-10020	4	BOLT, Hex Serr Flg, M10 x 20,
4	127379A2	1	SUPPORT, Valve, Rear, Mounts to Tube Clamp Support Bolt
5	829-1410	1	NUT, M10, CI 10, , See Figure 08-12 REF 21, For Mounting Stud
6	1531337C1	2	STEP, Service, At Valve Mounting Bracket, Front Grain Tank Inspection, For Additional Mounting, See Figure 09E-06
7	141410A1	2	SUPPORT,
8	409-7512	16	BOLT, Hex Flg, 5/16"-18 x 3/4", Serr,
9	231-5145	16	NUT, Flg, USR, 5/16"-18,
	409-7516	4	BOLT, Hex Flg, 5/16"-18 x 1", Serr,
	231-5145	4	NUT, Flg, USR, 5/16"-18,
	100-1531	4	RING, SNAP, #31, Ext,

08-12 VALVE ASSY - CONTROL - HEADER LIFT VALVE ASSY



08-12 VALVE ASSY - CONTROL - HEADER LIFT VALVE ASSY

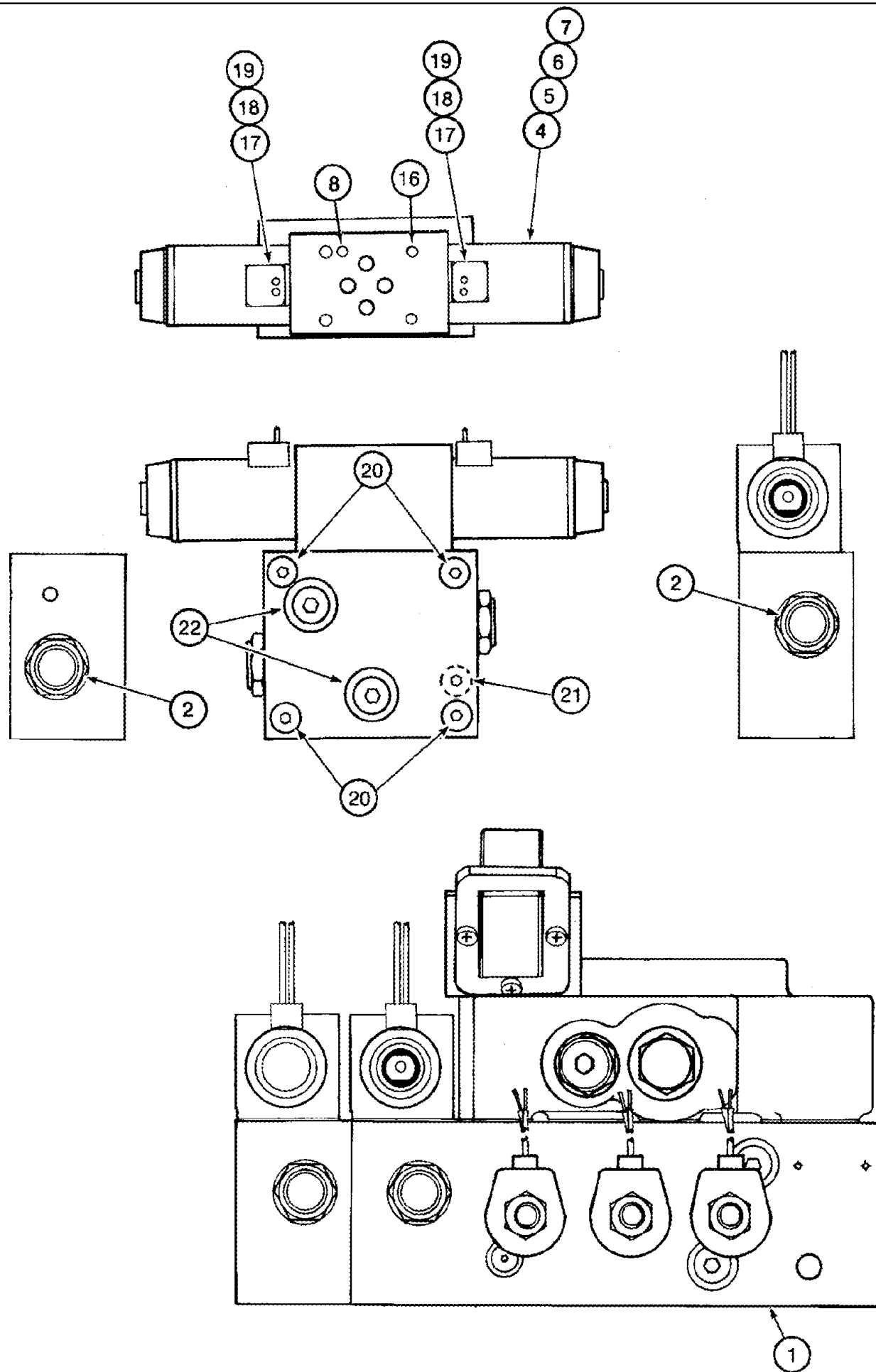
Ref	Part Number	Qty	Description
	124565A3	1	VALVE, CONTROL, Header Lift, Inc. 1 - 36
1	NSS	1	NOT SERVICED SEPARATELY, Body, Order 124565A3
	NSS	1	NOT SERVICED SEPARATELY, Valve, Solenoid, Includes 2 - 4, 2-Way, Sense Line, Order Components
2	191121A1	1	VALVE, 2-Way, Cartridge Only, Sense Line
3	149942C1	1	KIT, SEALS,
4	190715A1	1	SOLENOID, Coil, With Diode and Connector, 12 Volt, DC
	NSS	1	NOT SERVICED SEPARATELY, Valve, Solenoid, Includes 5 - 7, 2-Way, Reel Lift, Order Components
5	87436627	1	VALVE, 2-Way, Cartridge Only, Reel Lift, Inc. 6
6	86508168	1	KIT, SEALS,
7	190715A1	3	SOLENOID, Coil, With Diode and Connector, 12 Volt, DC
	NSS	1	NOT SERVICED SEPARATELY, Valve, Solenoid, Includes 8-10, 3-Way, Reel Lift, Order Components
8	190711A1	1	VALVE, 3-Way, Cartridge Only, Reel Lift, Inc. 9, 10
9	1260872C91	1	KIT, SEALS,
10	190715A1	1	SOLENOID, Coil, With Diode and Connector, 12 Volt, DC
11	190712A1	2	VALVE, Inc. 12, Single Pilot Operated
12	1260872C91	1	KIT, SEALS, Check Valve, (Not Shown)
13	190717A1	1	VALVE, 4-Way, 3 Position, Stack, Complete, See Figure 08-13
14	195683A1	3	NUT, 1/2"-13, Thin, Solenoid Coil, (Not Shown)
19	186572A1	1	VALVE, CONTROL, Header Height, See Figure 08-16, BSN HAJ301381
19	186572A2	1	VALVE, CONTROL, Header Height, See Figure 08-16, ASN HAJ301381
20	864-10080	2	SCREW, Hex Soc Hd, M10 x 80, 8.8,
21	190716A1	1	STUD, 10 x 130 mm
22	829-1410	1	NUT, M10, CI 10,
23	895-18010	2-4	WASHER, M10 x 18 x 1.6,
24	892-11010	1	WASHER, LOCK, M10,
25	278548	3	PLUG, Hex Soc, 7/16"-20 ORB, Incl. 26
26	237-6004	1	O-RING, 4-1, 90 Duro, .351" ID x .072" Thk,
27	9625178	4	PLUG, Hex Soc, 9/16"-18 ORB, Inc. 28
28	237-6006	1	O-RING, 6-1, 90 Duro, .468" ID x .078" Thk,
29	190713A1	1	PLUG, 0.914 mm (0.036 in) dia
30	190714A1	1	PLUG, 1.40 mm (0.055 in) dia
31	86632547	1-4	PLUG, Hex Soc, 5/16"-24 ORB, Inc. 32
32	237-6002	1	O-RING, 2-1, .239" ID x .064" Thk,
33	141440A1	1	SUPPORT, Electrical Connector
34	225417C1	1	CONNECTOR, ELEC, Electrical, 24 Pin
35	840-1420	3	SCREW, Cross Pan Hd, M4 x 20,
36	832-10404	3	NUT, LOCK, M4 x .7, CI 8,
37	1541849C1	2	COUPLING, Diagnostic, Inc. 38, 39, Not Included With Header Lift Valve Assy
38	H434163	1	DUST CAP,
39	237-6006	1	O-RING, 6-1, 90 Duro, .468" ID x .078" Thk,



08-13 VALVE ASSY - CONTROL - 4-WAY, 3 POSITION

Ref	Part Number	Qty	Description
	190717A1	1	VALVE, 4-Way, 3 Position, Stack, Complete, Inc. 1 - 18
1	196736A1	2	BODY, Solenoid
2	196737A1	2	SPLIT PIN/SAFETY PIN,
3	196738A1	2	SPRING,
4	196739A1	2	WASHER,
5	196710A1	1	PLUG, Orifice 0.030 in.
6	196711A1	1	PLUG, Orifice 0.040 in.
	191120A1	1	KIT, SEALS, Inc. 7 - 12, Order Components, (Not Shown)
7	86629543	8	O-RING, -012, 70 Duro, .364" ID x .070" Thk,
8	514098	2	O-RING, -020, 70 Duro, .864" ID x .070" Thk,
9	272018	2	O-RING, -022, 70 Duro, .989" ID x .070" Thk,
10	14457280	2	O-RING, -114, 70 Duro, .612" ID x .103" Thk,
11	511029	2	O-RING, -213, 70 Duro, .921" ID x .139" Thk,
12	87716168	2	SEAL,
15	61-31020	4	SCREW, Hex Soc Hd, #10-24 x 1 1/4",
16	191119A1	2	SOLENOID, Coil, With Diode, 12 Volt, DC
17	188106A1	2	NUT,
18	238-5017	2	O-RING, -017, 70 Duro, .676" ID x .070" Thk,

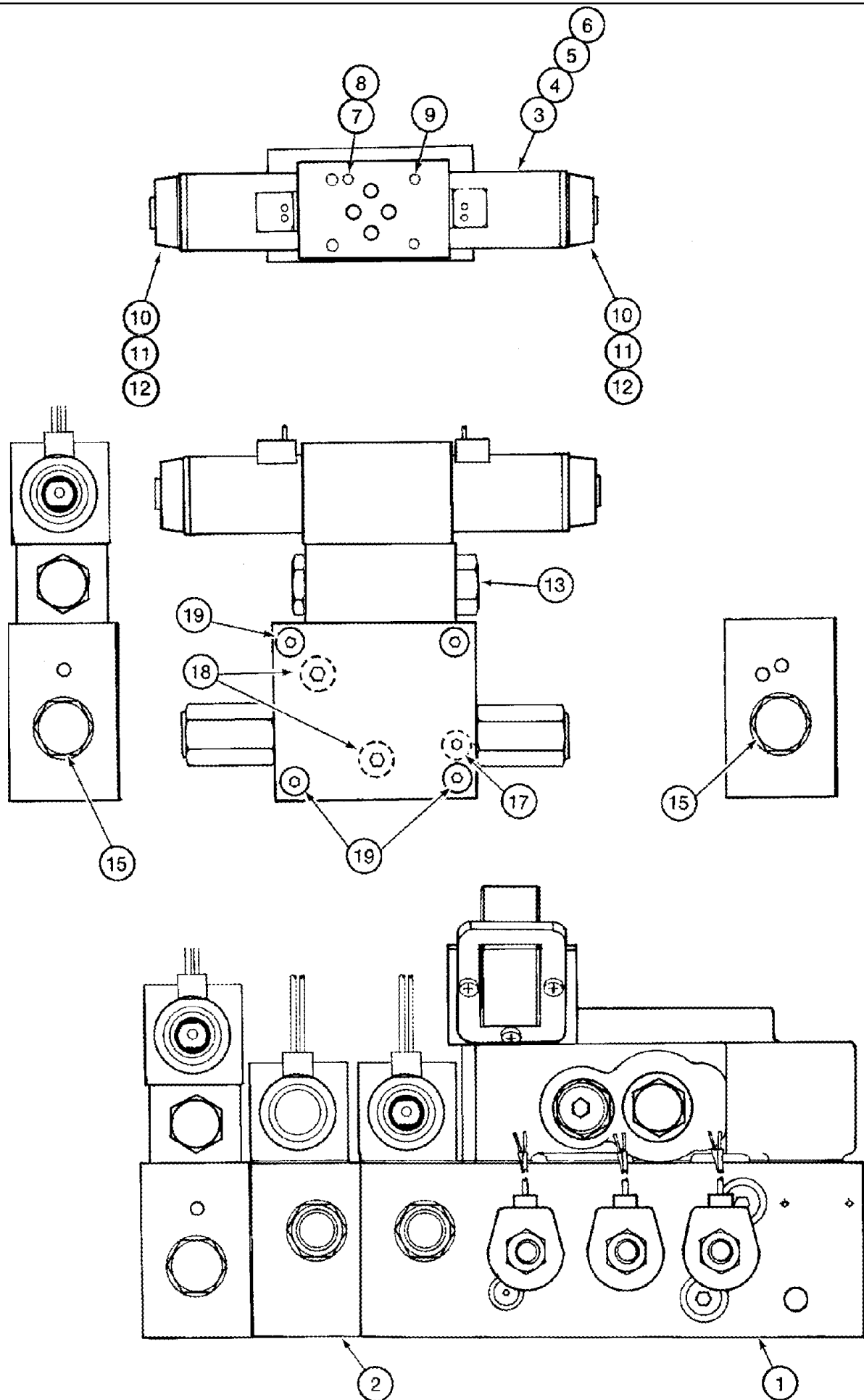
08-14 VALVE ASSY - CONTROL - HEADER LIFT WITH FORE AND AFT VALVE ASSY



08-14 VALVE ASSY - CONTROL - HEADER LIFT WITH FORE AND AFT VALVE ASSY

Ref	Part Number	Qty	Description
	124566A3	1	VALVE, CONTROL, Inc. 1 - 22, Header Lift With Reel Fore and Aft
1	124565A3	1	VALVE, CONTROL, Header Lift, See Figure(s) 08-09, 08-10, 08-11, 08-12, 08-15
	131153A2	1	VALVE, CONTROL, Inc. 2 - 22, Reel Fore And Aft
2	190712A1	2	VALVE, Inc. 3, Single Pilot Operated
3	1260872C91	1	KIT, SEALS, Repair, (Not Shown)
	190990A1	1	VALVE, Inc. 4 - 19, 4-Way, 3 Position, Stack
4	196736A1	2	BODY, Solenoid
5	196737A1	2	SPLIT PIN/SAFETY PIN,
6	196738A1	2	SPRING,
7	196739A1	2	WASHER,
8	196710A1	1	PLUG, Orifice 0.030 in.
9	191120A1	1	KIT, SEALS, Inc. 10 - 15, Seal Repair, 4-Way, 3 Position Valve, Order Components, Not Illustrated
10	86629543	8	O-RING, -012, 70 Duro, .364" ID x .070" Thk,
11	514098	2	O-RING, -020, 70 Duro, .864" ID x .070" Thk,
12	272018	2	O-RING, -022, 70 Duro, .989" ID x .070" Thk,
13	14457280	2	O-RING, -114, 70 Duro, .612" ID x .103" Thk,
14	511029	2	O-RING, -213, 70 Duro, .921" ID x .139" Thk,
15	87716168	2	SEAL,
16	61-31020	4	SCREW, Hex Soc Hd, #10-24 x 1 1/4",
16	61-31044	4	SCREW, Hex Soc Hd, #10-24 x 2 3/4",
17	191119A1	2	SOLENOID, Coil, With Diode, 12 Volt, DC
18	188106A1	2	NUT,
19	238-5017	2	O-RING, -017, 70 Duro, .676" ID x .070" Thk,
20	864-10080	4	SCREW, Hex Soc Hd, M10 x 80, 8.8,
21	238-5111	1	O-RING, -111, 70 Duro, .424" ID x .103" Thk,
22	238-5117	2	O-RING, -117, 70 Duro, .799" ID x .103" Thk,

08-15 VALVE ASSY - CONTROL - HEADER LIFT WITH REEL FORE AND AFT AND FIELD TRACKER



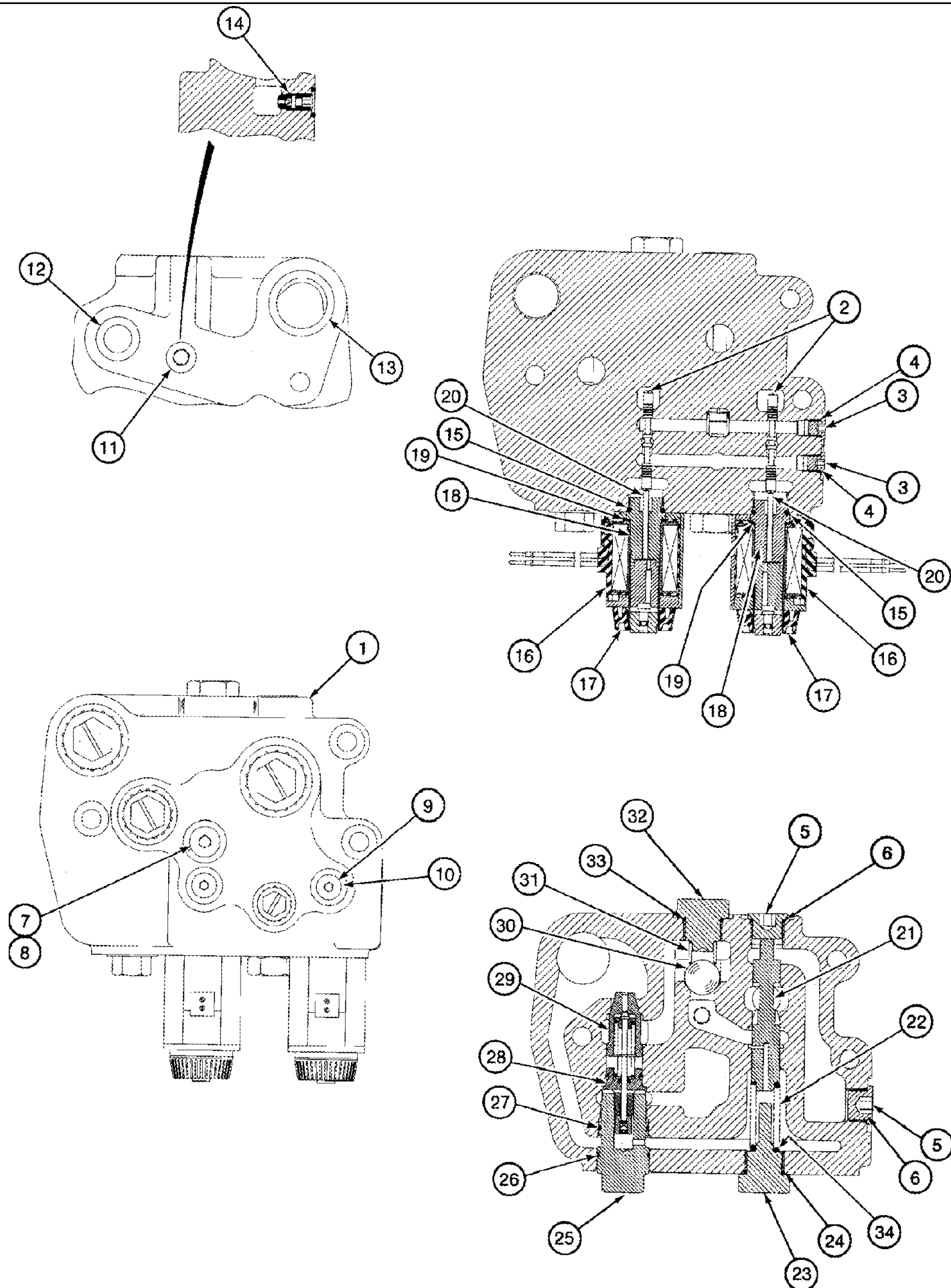
Header Lift With Reel Fore and Aft and Field Tracker

08-15 VALVE ASSY - CONTROL - HEADER LIFT WITH REEL FORE AND AFT AND FIELD TRACKER

Ref	Part Number	Qty	Description
	124567A3	1	VALVE, CONTROL, Multi Section Valve, Inc. 1 - 20, Header Lift With Reel Fore and Aft and Field Tracker
	REF	1	INSTRUCTION, Body, One Piece Valve, Production Only, Service Body With Complete Valve Assy 124567A3 Above, Inc. 3 - 20
1	124565A3	1	VALVE, CONTROL, Header Lift, See Figure(s) 08-09, 08-10, 08-11, 08-12, 08-14
2	131153A2	1	VALVE, CONTROL, Reel Fore And Aft, See Figure 08-14
	114854A1	1	VALVE, CONTROL, Inc. 190984A1, REF 3 - 20, Field Tracker
	190984A1	1	VALVE, Inc. 3 - 12, 4-Way, 3 Position, Stack
3	196736A1	2	BODY, Solenoid
4	196737A1	2	SPLIT PIN/SAFETY PIN,
5	196738A1	2	SPRING,
6	196739A1	2	WASHER,
7	196712A1	1	PLUG, Orifice 0.035 in.
8	196713A1	1	PLUG, Orifice 0.043 in.
	191120A1	1	KIT, SEALS, Seal Repair, 4-Way, 3 Position Valve, (Not Shown), See Figure(s) 08-13, 08-14
9	61-31020	4	SCREW, Hex Soc Hd, #10-24 x 1 1/4",
9	61-31044	4	SCREW, Hex Soc Hd, #10-24 x 2 3/4",
10	191119A1	2	SOLENOID, Coil, With Diode, 12 Volt, DC
11	188106A1	2	NUT,
12	238-5017	2	O-RING, -017, 70 Duro, .676" ID x .070" Thk,
13	190985A1	1	VALVE, Inc. 14, Double Pilot Operated
14	191120A1	1	KIT, SEALS, Seal Repair, Check Valve, (Not Shown), See Figure(s) 08-13, 08-14
15	190986A1	2	VALVE, PRESSURE RELIEF, Inc. 16
16	149942C1	1	KIT, SEALS, Relief Valve, (Not Shown)
17	238-5111	1	O-RING, -111, 70 Duro, .424" ID x .103" Thk,
18	238-5117	4	O-RING, -117, 70 Duro, .799" ID x .103" Thk,
19	861-10130	4	SCREW, Hex Soc Hd, M10 x 130, 12.9,
20	864-10070	4	SCREW, Hex Soc Hd, M10 x 70, 8.8, Not Used in this Application (Not Shown)

Header Lift With Reel Fore and Aft and Field Tracker

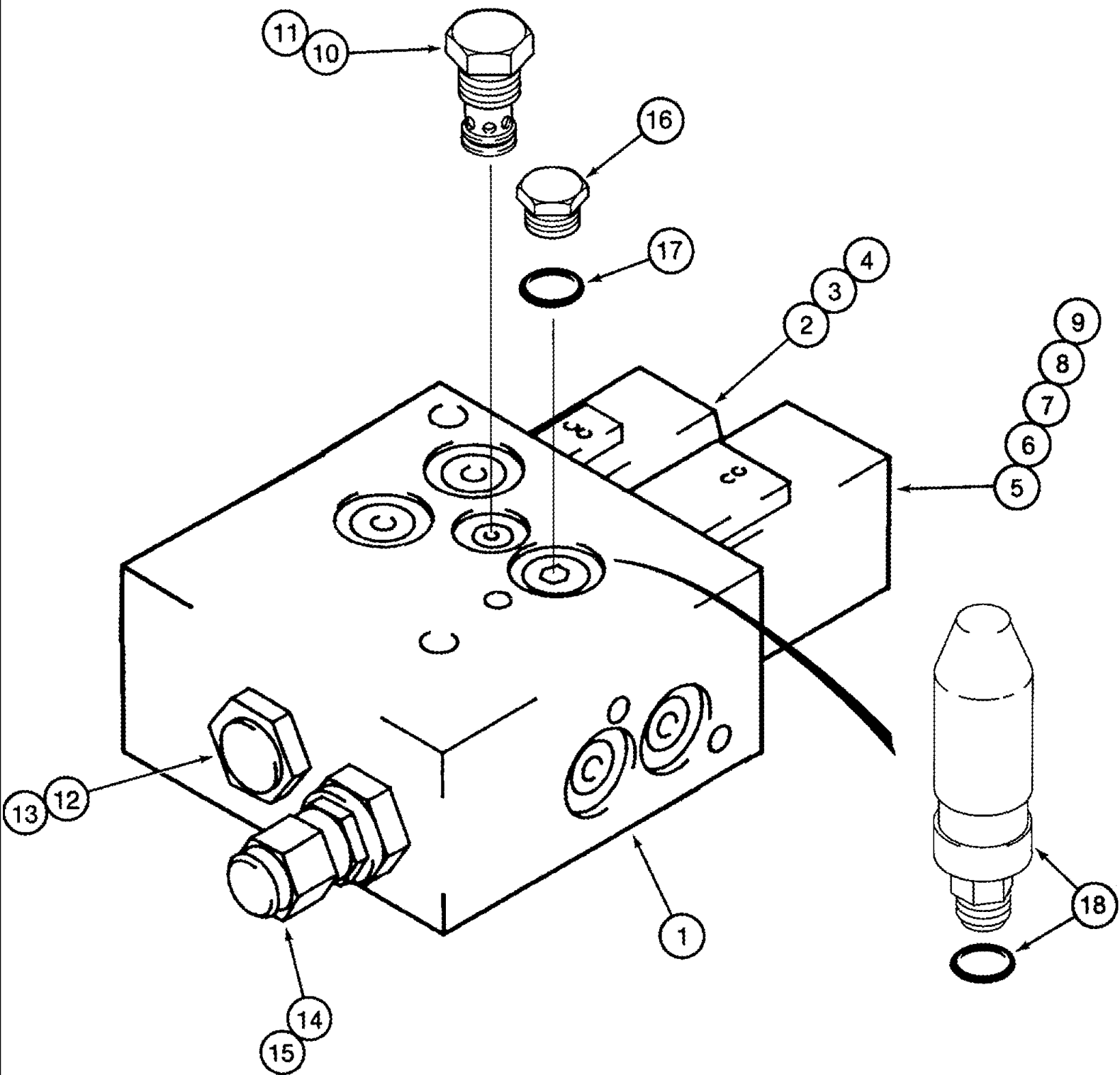
08-16 VALVE ASSY - HEADER HEIGHT



08-16 VALVE ASSY - HEADER HEIGHT

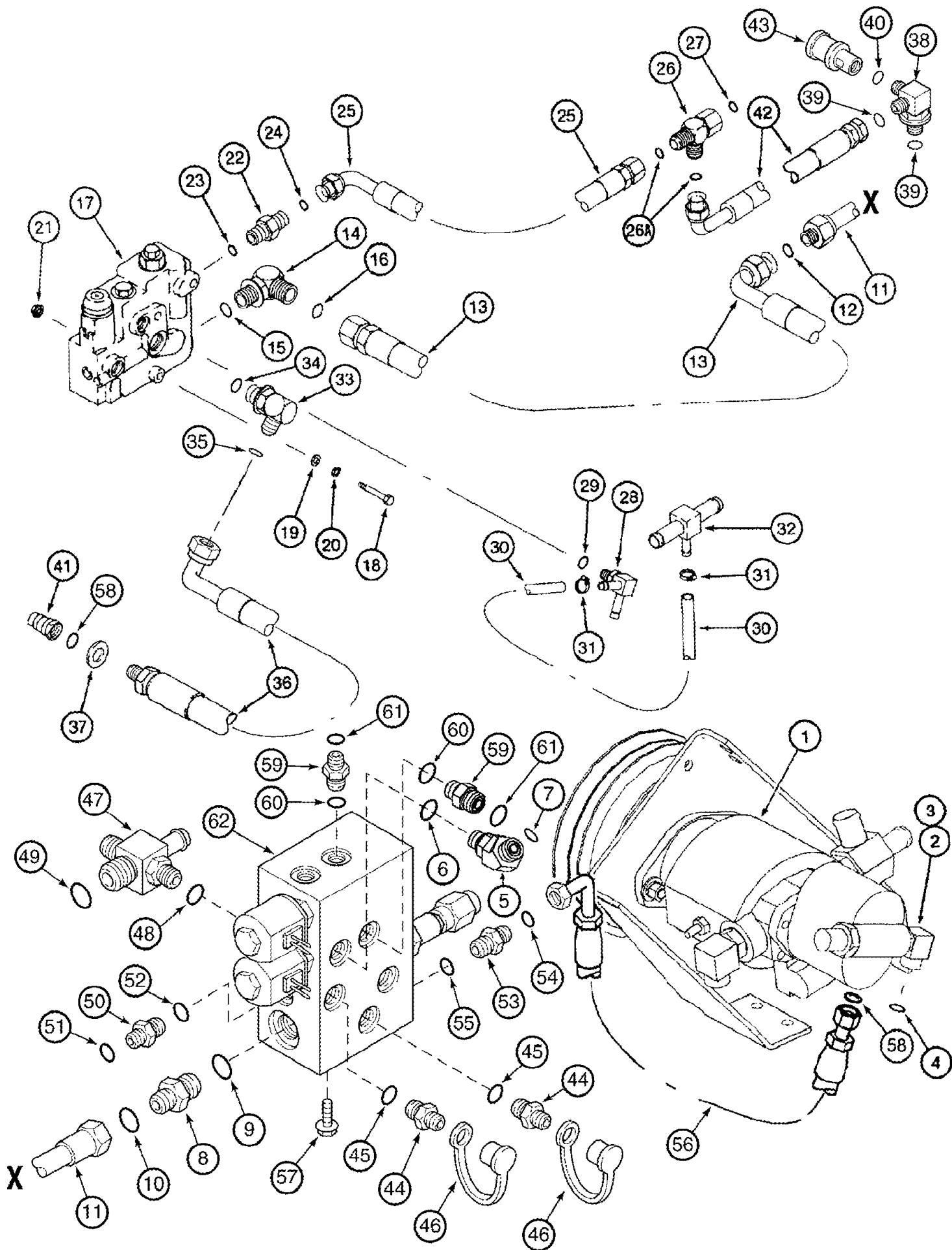
Ref	Part Number	Qty	Description
	186572A1	1	VALVE, CONTROL, Inc. 1 - 34, Header Height, BSN HAJ301381
	186572A2	1	VALVE, CONTROL, Inc. 1 - 2-, 23, Header Height, ASN HAJ301381
1	NSS	1	NOT SERVICED SEPARATELY, Body
2	188104A1	2	SPOOL, Pilot
3	86529630	2	PLUG, Hex Soc, 3/8"-24 ORB, Inc. 4
4	237-6003	1	O-RING, 3-1, .301" ID x .064" Thk,
5	86590562	2	PLUG, Hex Soc, 3/4"-16 ORB, Inc. 6
6	237-6008	1	O-RING, 8-1, 90 Duro, .644" ID x .087" Thk,
7	9625178	1	PLUG, Hex Soc, 9/16"-18 ORB, Inc. 8
8	237-6006	1	O-RING, 6-1, 90 Duro, .468" ID x .078" Thk,
9	278548	2	PLUG, Hex Soc, 7/16"-20 ORB, Incl. 10
10	237-6004	1	O-RING, 4-1, 90 Duro, .351" ID x .072" Thk,
11	238-6112	1	O-RING, -112, 90 Duro, .487" ID x .103" Thk,
12	238-6117	1	O-RING, -117, 90 Duro, .799" ID x .103" Thk,
13	238-6125	1	O-RING, -125, 90 Duro, 1.237" ID x .103" Thk,
14	188115A1	1	POPPET, VALVE, Signal
15	238-5114	2	O-RING, -114, 70 Duro, .612" ID x .103" Thk,
	243254A1	2	KIT, Inc. 16 - 16B, Without Diode, 12 Volt, DC
16	188105A1	1	SOLENOID, Without Diode, 12 Volt, DC
16A	225318C1	1	WEDGE, (Not Shown)
16B	225315C1	1	CONNECTOR, ELEC, Wedge, (Not Shown)
17	188106A1	2	NUT,
18	188117A1	2	TUBE, Solenoid
19	238-5017	2	O-RING, -017, 70 Duro, .676" ID x .070" Thk,
20	188116A1	2	PIN, Solenoid Actuating
21	190698A2	1	SPOOL, Meter In, Main Flow, BSN HAJ301381
22	190699A1	1	SPRING, Meter In, Main Flow, BSN HAJ301381
23	188110A1	1	PLUG,
24	237-6010	1	O-RING, 10-1, 90 Duro, .755" ID x .097" Thk, , BSN HAJ301381
	87643252	1	KIT, Meter Out, Inc. 25 - 29, BSN HAJ301381
25	188111A1	1	PLUG, Meter Out Poppet, BSN HAJ301381
26	238-5023	1	O-RING, -023, 70 Duro, 1.051" ID x .070" Thk, , BSN HAJ301381
27	238-5022	1	O-RING, -022, 70 Duro, .989" ID x .070" Thk, , BSN HAJ301381
28	188112A1	1	POPPET, VALVE, Servo, Meter Out, BSN HAJ301381
29	87641219	1	POPPET, VALVE, , BSN HAJ301381
30	511-10200	1	BALL, 20mm Dia, , BSN HAJ301381
31	188114A1	1	SPRING, Load Check, BSN HAJ301381
32	188107A1	1	PLUG, , BSN HAJ301381
33	237-6010	1	O-RING, 10-1, 90 Duro, .755" ID x .097" Thk, , BSN HAJ301381
34	NSS	AR	NOT SERVICED SEPARATELY, Shim, Spring, BSN HAJ301381
	243253A1	1	KIT, SEALS, Repair, Inc. 4, 6, 8, 10-13, 15, 19, 24, 26, 27, 33, BSN HAJ301381

08-17 VALVE ASSY - PARKING BRAKE AND FEEDER CLUTCH



08-17 VALVE ASSY - PARKING BRAKE AND FEEDER CLUTCH

Ref	Part Number	Qty	Description
	129010A4	1	VALVE, CONTROL, Parking Brake And Feeder Clutch, Inc. 1 - 17
1	NSS	1	NOT SERVICED SEPARATELY, Body, Order 129010A4
	NSS	1	NOT SERVICED SEPARATELY, 4-Way, Valve, Solenoid, Includes 2 - 4, Order Components
2	187849C1	1	VALVE, SOLENOID, 4-Way, Cartridge Only
3	187850C1	1	KIT, SEALS, (Not Shown)
4	1340843C1	1	COIL, 12 V
	NSS	1	NOT SERVICED SEPARATELY, 3-Way, Valve, Solenoid, Includes 5 - 9, Order Components
5	1986618C1	1	VALVE, SOLENOID, 3-Way, Inc. 6 - 10
6	190703A1	1	SOLENOID,
7	237-6010	1	O-RING, 10-1, 90 Duro, .755" ID x .097" Thk,
8	238-5015	1	O-RING, -015, 70 Duro, .551" ID x .070" Thk,
9	238-5014	1	O-RING, -014, 70 Duro, .489" ID x .070" Thk,
10	190704A1	1	VALVE, CHECK, Service With 11
11	190707A1	1	KIT, SEALS, (Not Shown)
12	190705A1	1	POPPET, VALVE, Orifice, Service With 13
13	149942C1	1	KIT, SEALS, (Not Shown)
14	190706A2	1	VALVE, CHECK, Service With 15
15	149942C1	1	KIT, SEALS, (Not Shown)
16	87035062	1	PLUG, Hex Soc, 1/2"-20 ORB, Includes Ref. 17
17	237-6005	1	O-RING, 5-1, 90 Duro, .414" ID x .072" Thk,
18	125829A1	1	SWITCH, Parking Brake, See Figure 07-05



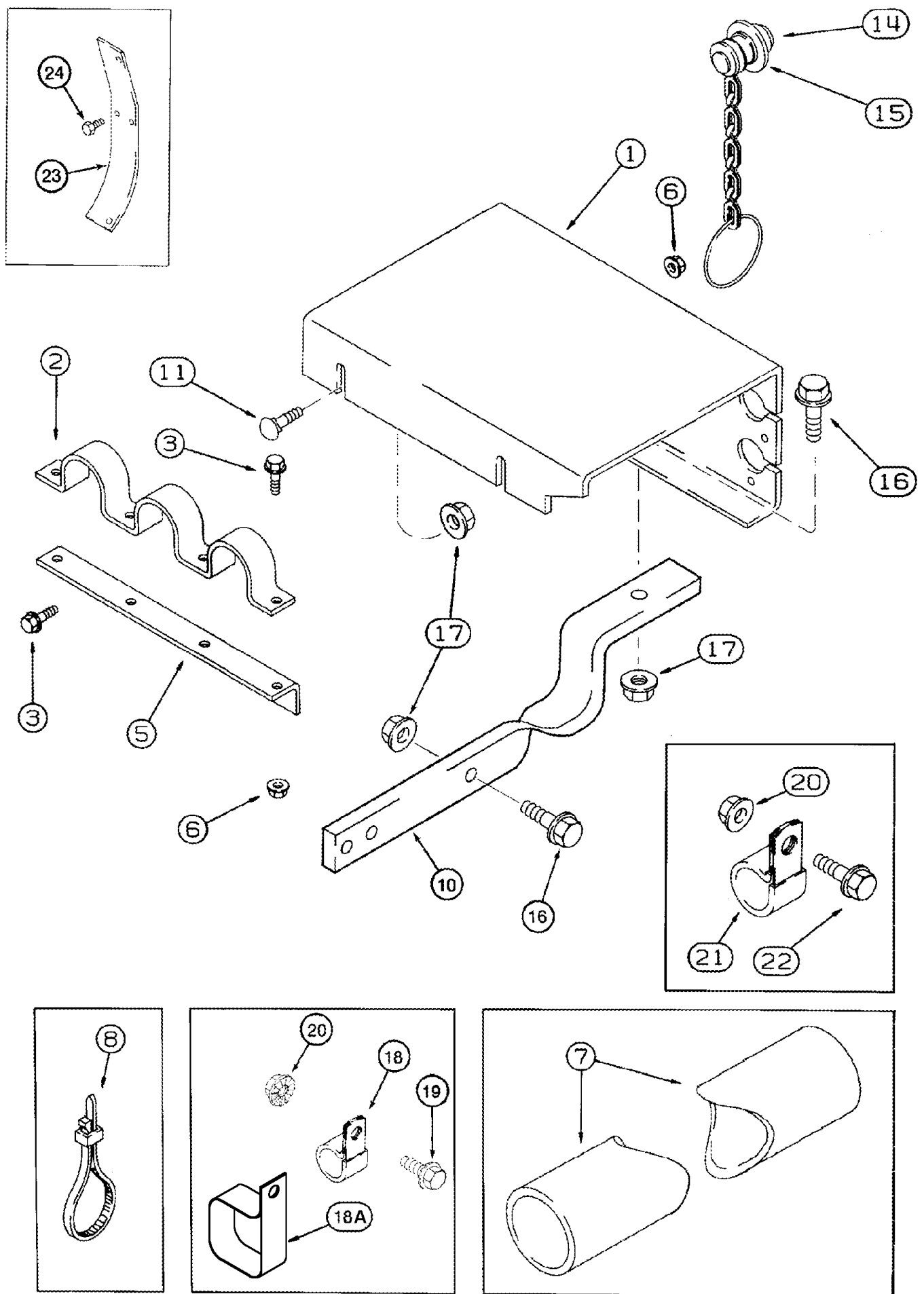
08-18 HYDRAULICS - REEL DRIVE

Ref	Part Number	Qty	Description
1	NSS	1	NOT SERVICED SEPARATELY, Pump, Hydraulic, Auxiliary, Order Component Parts, See Figure 08-08
2	201-306	1	ELBOW, 90e, 1"-14 x 7/8"-14 Adj, ORFS, Inc. 3, 4
3	237-6010	1	O-RING, 10-1, 90 Duro, .755" ID x .097" Thk,
4	238-6016	1	O-RING, -016, 90 Duro, .614" ID x .070" Thk,
5	201-315	1	ELBOW, 45e, 11/16"-16 x 9/16"-18. Adj, ORFS, Inc. 6, 7
6	237-6004	1	O-RING, 4-1, 90 Duro, .351" ID x .072" Thk,
7	238-6012	1	O-RING, -012, 90 Duro, .364" ID x .070" Thk,
8	201-104	1	CONNECTOR, HYD., 1 3/16"-12 ORFS x 1 1/16"-12 ORB, Includes Ref. 9, 10
9	237-6012	1	O-RING, 12-1, 90 Duro, .924 ID x .118" Thk,
10	238-6018	1	O-RING, -018, 90 Duro, .739" ID x .070" Thk,
11	124376A1	1	PIPE, Reel Drive Supply
12	238-6018	1	O-RING, -018, 90 Duro, .739" ID x .070" Thk,
13	135827A2	1	HOSE, FLEXIBLE, 680 mm (26-7/8 in), Reel Drive Valve Supply
14	201-307	1	ELBOW, 90e, 1 3/16"-12 x 1 1/16"-12 Adj, ORFS, Inc. 15, 16
15	237-6012	1	O-RING, 12-1, 90 Duro, .924 ID x .118" Thk,
16	238-6018	1	O-RING, -018, 90 Duro, .739" ID x .070" Thk,
17	87374793	1	VALVE, Reel Drive, Control, See Figure 08-20
18	413-656	2	BOLT, Hex, 3/8"-16 x 3 1/2", G5,
19	495-11041	2	WASHER, 3/8", SAE,
20	492-11038	2	WASHER, LOCK, 3/8",
21	425-106	2	NUT, 3/8"-16, G5,
22	201-104	1	CONNECTOR, HYD., 1 3/16"-12 ORFS x 1 1/16"-12 ORB, Includes Ref. 23, 24
23	237-6012	1	O-RING, 12-1, 90 Duro, .924 ID x .118" Thk,
24	238-6018	1	O-RING, -018, 90 Duro, .739" ID x .070" Thk,
25	128036A1	1	HOSE, FLEXIBLE, 640 mm (25-1/4 in), Reel Drive Valve Return
26	201-433	1	TEE, 1"-14 ORFS x 1"-14 Sw Run, Inc. 26A
26A	238-6016	2	O-RING, -016, 90 Duro, .614" ID x .070" Thk,
27	238-6016	1	O-RING, -016, 90 Duro, .614" ID x .070" Thk,
28	113896A1	1	TEE, Inc. 29, For Attaching Parts, See Figure 07-05, REF 30
29	237-6004	1	O-RING, 4-1, 90 Duro, .351" ID x .072" Thk,
30	128037A2	1	HOSE, 405 mm (16 in), Reel Drive Valve Case Drain, Cut From S118400X
31	214-1706	2	CLAMP, HOSE, #6, 0.44/0.78 Type M Worm,
32	177975A1	1	TEE, 5/8 x 3/8 x 5/8
33	201-306	1	ELBOW, 90e, 1"-14 x 7/8"-14 Adj, ORFS, Inc. 34, 35
34	237-6010	1	O-RING, 10-1, 90 Duro, .755" ID x .097" Thk,
35	238-6016	1	O-RING, -016, 90 Duro, .614" ID x .070" Thk,
36	430390A1	1	HOSE, FLEXIBLE, Reel Supply, 3320 mm (130-3/4")
37	1345266C1	1	WASHER, White
38	395408A1	1	TEE, Inc. 39, 40
39	238-6016	2	O-RING, -016, 90 Duro, .614" ID x .070" Thk,
40	237-6010	1	O-RING, 10-1, 90 Duro, .755" ID x .097" Thk,
41	1272399C2	1	COUPLING, QUICK, MALE, 7/8 NF, Self-Sealing, Male

08-18 HYDRAULICS - REEL DRIVE

Ref	Part Number	Qty	Description
42	430391A1	1	HOSE, FLEXIBLE, Reel Drive Return, 2455 mm (96-21/32 in)
43	1282338C91	1	COUPLING, QUICK, FEMALE, 7/8 NF, Self-Sealing, Female
44	1541849C1	2	COUPLING, Diagnostic, Inc. 45, 46
45	237-6004	1	O-RING, 4-1, 90 Duro, .351" ID x .072" Thk,
46	H434163	1	DUST CAP,
47	141657A1	1	TEE, Inc. 48, 49
48	237-6008	1	O-RING, 8-1, 90 Duro, .644" ID x .087" Thk,
49	238-6016	1	O-RING, -016, 90 Duro, .614" ID x .070" Thk,
50	201-126	1	CONNECTOR, HYD., 13/16"-16 ORFS x 9/16"-20 ORB, Inc. 51, 52
51	237-6004	1	O-RING, 4-1, 90 Duro, .351" ID x .072" Thk,
52	238-6014	1	O-RING, -014, 90 Duro, .489" ID x .070" Thk,
53	201-131	1	CONNECTOR, HYD., 1"-12 ORFS x 9/16"-18 ORB, Inc. 54, 55
54	238-6016	1	O-RING, -016, 90 Duro, .614" ID x .070" Thk,
55	237-6012	1	O-RING, 12-1, 90 Duro, .924 ID x .118" Thk,
56	231735A1	1	HOSE, FLEXIBLE, 830 mm (32-3/4 in)
57	409-7612	2	BOLT, Hex Flg, 3/8"-16 x 3/4", Serr,
58	237-6010	1	O-RING, 10-1, 90 Duro, .755" ID x .097" Thk,
59	201-101	2	CONNECTOR, HYD., 11/16"-16 ORFS x 9/16"-18 ORB, Includes 60, 61
60	237-6004	1	O-RING, 4-1, 90 Duro, .351" ID x .072" Thk,
61	238-6012	1	O-RING, -012, 90 Duro, .364" ID x .070" Thk,
62	384307A1	1	VALVE, SOLENOID, , See Figure 08-27

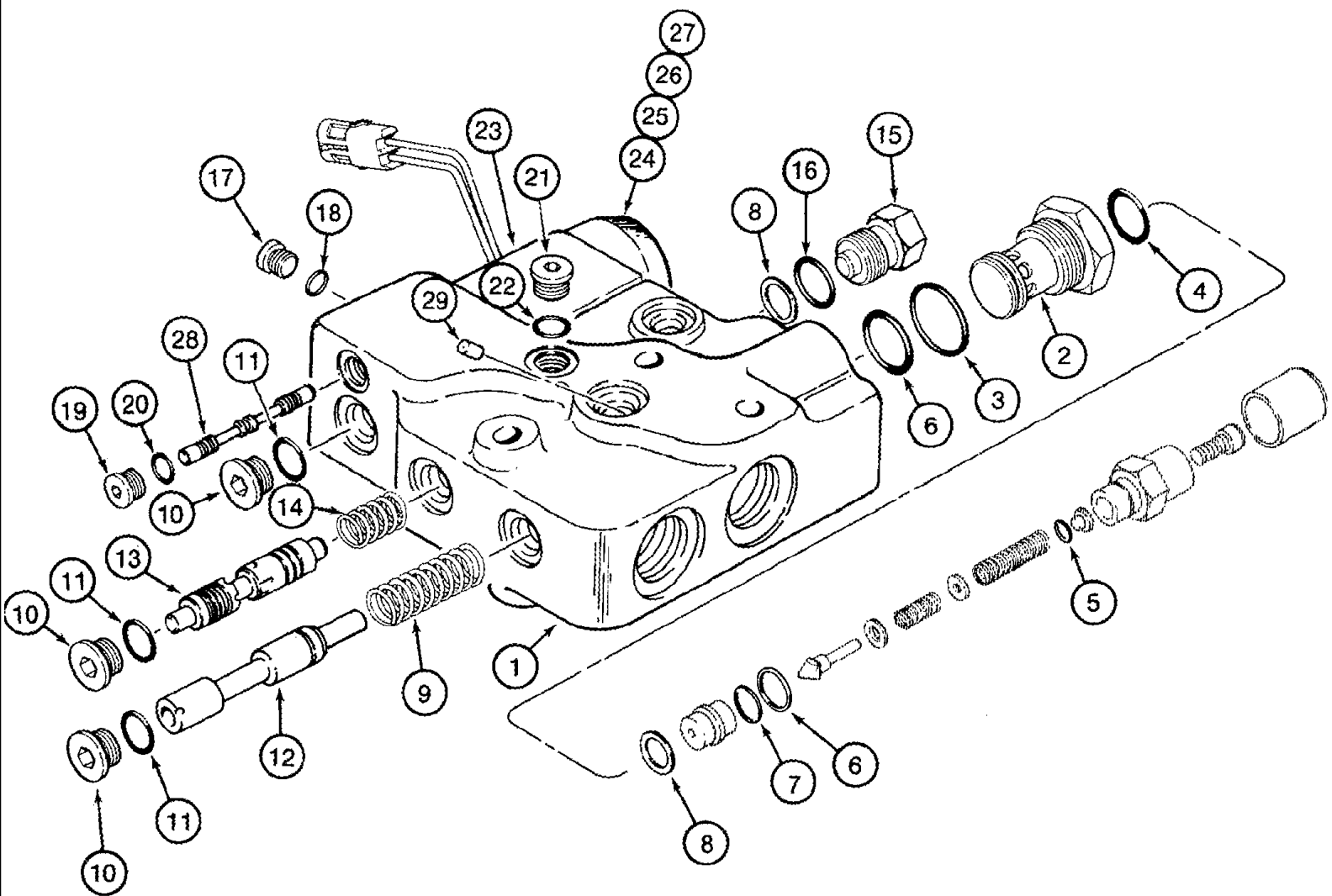
08-19 REEL DRIVE - COUPLING MOUNTING



08-19 REEL DRIVE - COUPLING MOUNTING

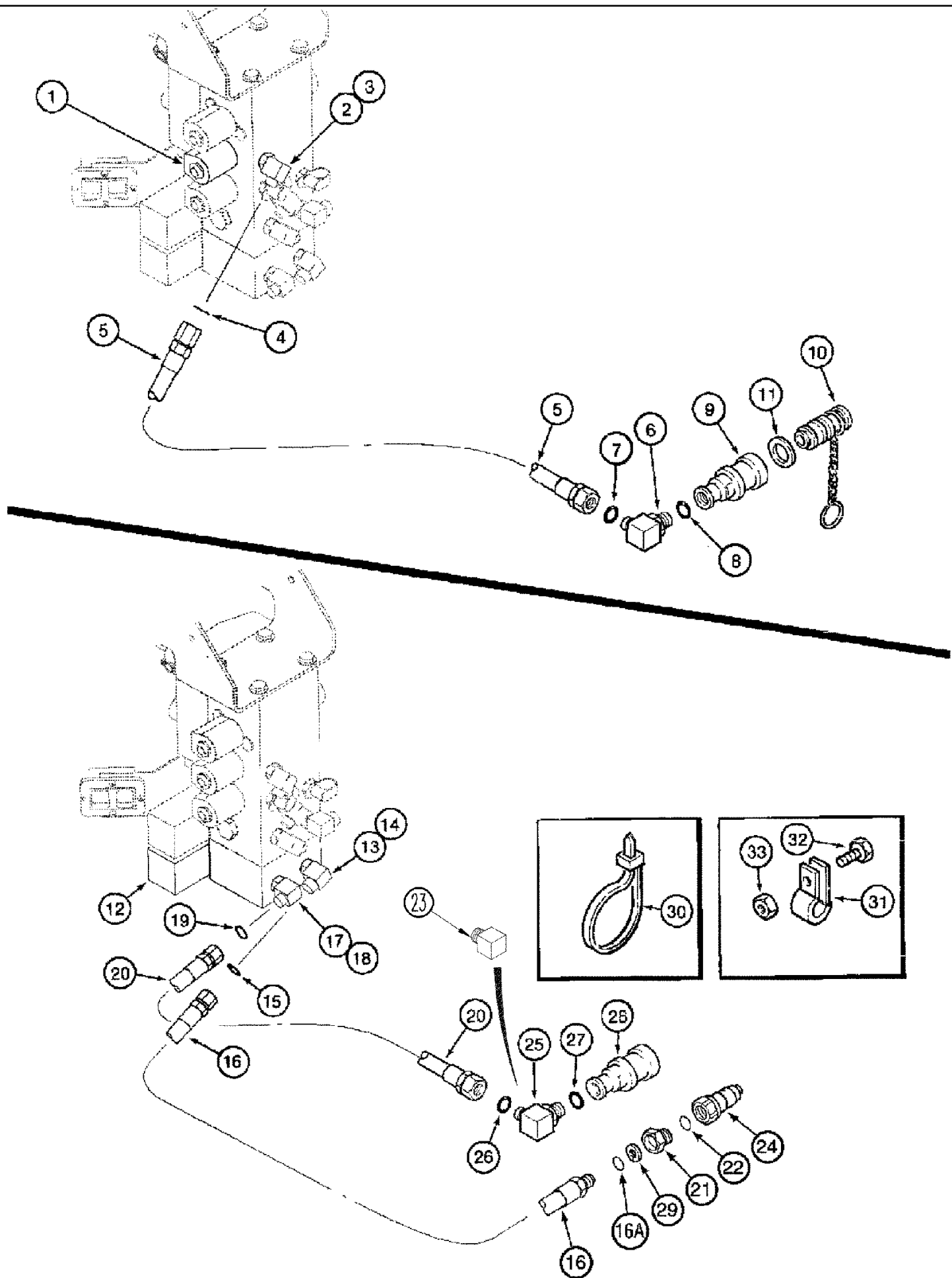
Ref	Part Number	Qty	Description
1	139828A2	1	SUPPORT, Feeder Hoses
2	1321990C1	1	CLAMP,
3	409-7412	4	BOLT, Hex Flg, 1/4"-20 x 3/4", Serr,
5	1321989C2	1	SUPPORT, Coupling
6	231-5144	4	NUT, Flg, USR, 1/4"-20,
7	395784A1	1	SLEEVE, 2000 mm (78-3/4 in)
8	306132C1	2	STRAP, CABLE, .30" x 14.5", 14" Tie
10	139045A2	1	SUPPORT, Feeder Hoses
11	434-620	2	BOLT, CARRIAGE, Short NK, 3/8"-16 x 1 1/4", G5, Full Thd,
14	1954133C1	1	DUST CAP, Inc. 15, Coupling, Dust
15	401758R1	1	WASHER,
16	409-7612	2	BOLT, Hex Flg, 3/8"-16 x 3/4", Serr,
17	231-5146	10	NUT, Flg, USR, 3/8"-16,
18	515-25476	3	CLAMP, 1 7/8", Insul, 1/2" Bolt,
18A	1301387C2	2	CLIP, Square
19	409-7620	3	BOLT, Hex Flg, 3/8"-16 x 1 1/4", Serr,
20	231-5146	2	NUT, Flg, USR, 3/8"-16,
21	485093C1	1	CLAMP,
22	409-7612	1	BOLT, Hex Flg, 3/8"-16 x 3/4", Serr,
23	294511A1	1	SUPPORT, Feeder Hoses
24	477-73816	2	SCREW, Slt'd Serr Truss Hd, 3/8" x 1",

08-20 VALVE ASSY - REEL DRIVE



08-20 VALVE ASSY - REEL DRIVE

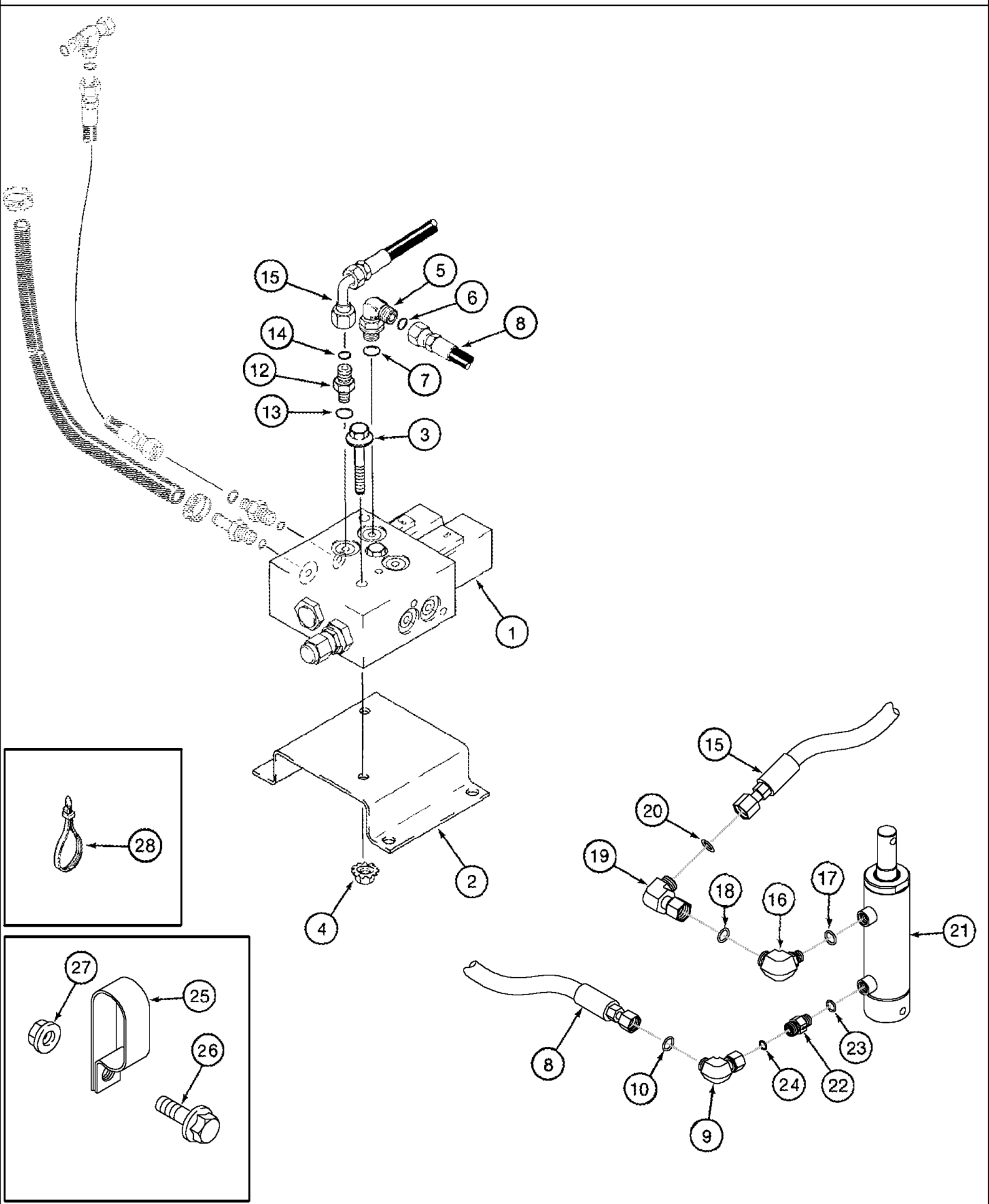
Ref	Part Number	Qty	Description
	87374793	1	VALVE, Inc. 1 - 29, Reel Drive
1	NSS	1	NOT SERVICED SEPARATELY, Body, Order 114856A3
	190702A1	1	VALVE, PRESSURE RELIEF, Inc. 2 - 7, Relief, Cartridge
2	NSS	1	NOT SERVICED SEPARATELY, Valve, Relief, Order 190702A1
3	237-6010	1	O-RING, 10-1, 90 Duro, .755" ID x .097" Thk,
4	237-6004	1	O-RING, 4-1, 90 Duro, .351" ID x .072" Thk,
5	238-5004	1	O-RING, -004, 70 Duro, .07" ID x .070" Thk,
6	A34493	1	RING,
7	238-5016	1	O-RING, -016, 70 Duro, .614" ID x .070" Thk,
8	190696A1	2	KIT, SHIM,
9	190695A1	1	SPRING, Pressure Regulating
10	71100209	3	PLUG, Hex Soc, 3/4"-16 ORB, Includes 11
11	237-6008	1	O-RING, 8-1, 90 Duro, .644" ID x .087" Thk,
12	190697A1	1	SPOOL, Pressure Regulating
13	190698A2	1	SPOOL, Flow Metering
14	190699A1	1	SPRING, Flow Metering
15	188110A1	1	PLUG, Inc. 16
16	237-6010	1	O-RING, 10-1, 90 Duro, .755" ID x .097" Thk,
17	278548	3	PLUG, Hex Soc, 7/16"-20 ORB, Incl. 18
18	237-6004	1	O-RING, 4-1, 90 Duro, .351" ID x .072" Thk,
19	86632547	4	PLUG, Hex Soc, 5/16"-24 ORB, Inc. 20
20	237-6002	1	O-RING, 2-1, .239" ID x .064" Thk,
21	9625178	1	PLUG, Hex Soc, 9/16"-18 ORB, Inc. 22
22	237-6006	1	O-RING, 6-1, 90 Duro, .468" ID x .078" Thk,
23	190700A2	1	SOLENOID, Without Diode, 12 Volt, DC
24	188106A1	1	NUT,
25	188117A1	1	TUBE,
26	238-5017	1	O-RING, -017, 70 Duro, .676" ID x .070" Thk,
27	188116A1	1	PIN,
28	188104A1	1	SPOOL, Pilot
29	190694A1	1	PLUG, Orifice



08-21 HYDRAULICS - REEL LIFT AND FORE/AFT

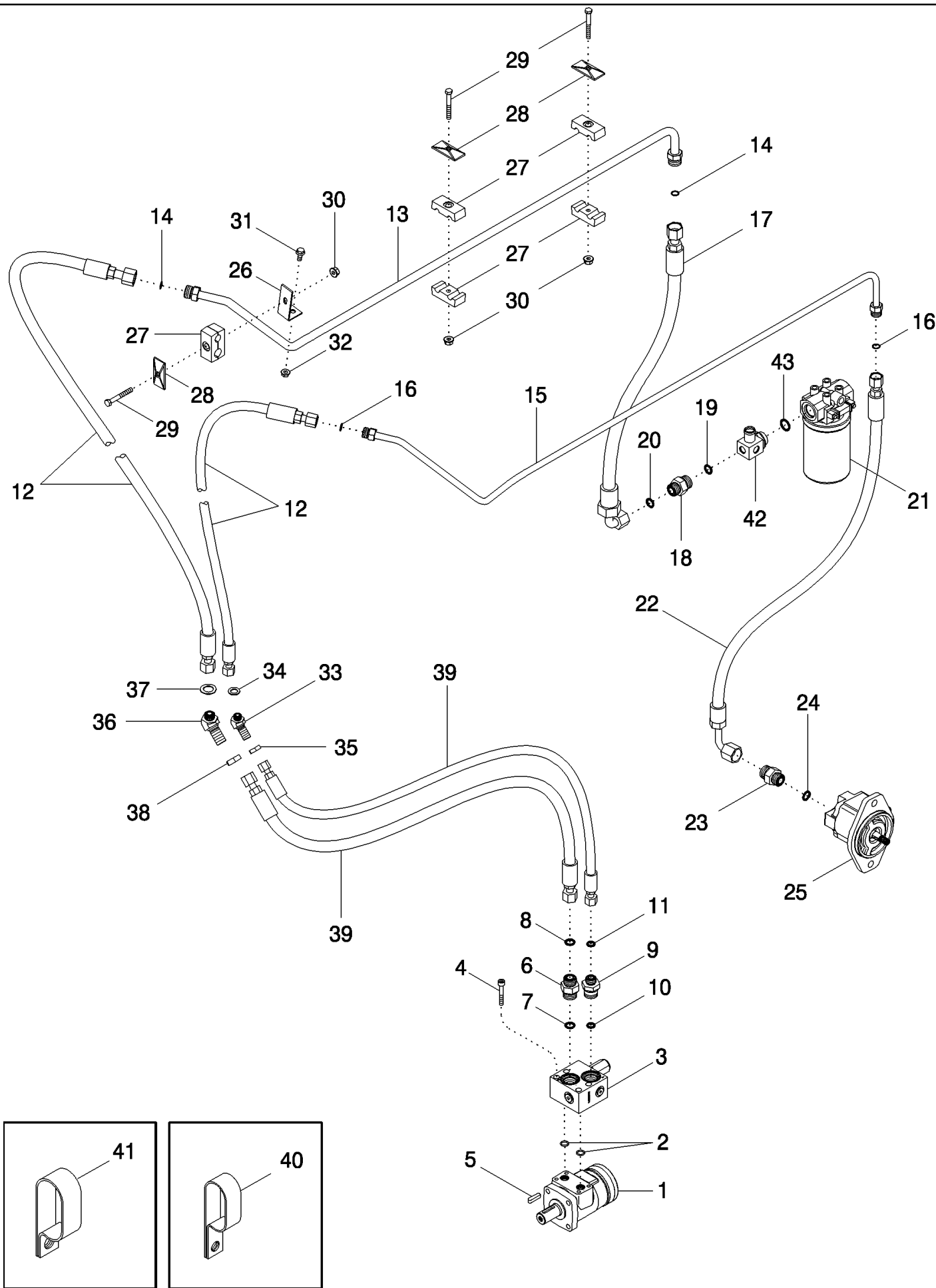
Ref	Part Number	Qty	Description
1	124566A3	1	VALVE, CONTROL, Header Lift With Reel Fore and Aft, See Figure(s) 08-11, 08-14
2	201-324	1	ELBOW, 90ε, 9/16"-18 x 9/16"-18, Adj, ORFS, Includes Ref. 3, 4
3	237-6006	1	O-RING, 6-1, 90 Duro, .468" ID x .078" Thk,
4	238-6011	1	O-RING, -011, 90 Duro, .301" ID x .070" Thk,
5	430392A1	1	HOSE, FLEXIBLE, HOSE 2700 mm (106-5/16 in), Reel Lift, Inc. 7A
6	430494A1	1	ELBOW, 90 deg, Inc. 7
7	237-6010	1	O-RING, 10-1, 90 Duro, .755" ID x .097" Thk,
7A	237-6004	1	O-RING, 4-1, 90 Duro, .351" ID x .072" Thk,
8	238-6012	1	O-RING, -012, 90 Duro, .364" ID x .070" Thk,
9	1282338C91	1	COUPLING, QUICK, FEMALE, 7/8 NF, Self-Sealing, Female
10	1954133C1	1	DUST CAP, Inc. 11, Coupling, Dust
11	401758R1	1	WASHER,
	134112A2	1	VALVE, Field Kit, Reel Fore And Aft, Inc. 12 - 33
12	131153A2	1	VALVE, CONTROL, Reel Fore And Aft, See Figure(s) 08-14, 08-15
13	201-304	1	ELBOW, 90ε, 11/16"-16 x 9/16"-18 Adj, ORFS, Inc. 14, 15
14	237-6006	1	O-RING, 6-1, 90 Duro, .468" ID x .078" Thk,
15	238-6012	1	O-RING, -012, 90 Duro, .364" ID x .070" Thk,
16	430393A1	1	HOSE, FLEXIBLE, 3675 mm (144-11/16 in), Inc. 16A, Reel Aft
16A	237-6004	1	O-RING, 4-1, 90 Duro, .351" ID x .072" Thk,
17	201-324	1	ELBOW, 90ε, 9/16"-18 x 9/16"-18, Adj, ORFS, Includes Ref. 18, 19
18	237-6006	1	O-RING, 6-1, 90 Duro, .468" ID x .078" Thk,
19	238-6011	1	O-RING, -011, 90 Duro, .301" ID x .070" Thk,
20	430488A1	1	HOSE, FLEXIBLE, HOSE 2650 mm (104-11/32 in), Inc. 20A, Reel Fore
20A	237-6004	1	O-RING, 4-1, 90 Duro, .351" ID x .072" Thk,
21	196443A1	1	REDUCER, 7/16 fem x 7/8 in Or, Inc. 22
22	237-6010	1	O-RING, 10-1, 90 Duro, .755" ID x .097" Thk,
24	1272399C2	1	COUPLING, QUICK, MALE, 7/8 NF, Self-Sealing, Male
25	201-362	1	ELBOW, 90ε, 11/16"-16 x 7/8"-14, Adj, ORFS, Inc. 26, 27
26	237-6010	1	O-RING, 10-1, 90 Duro, .755" ID x .097" Thk,
27	238-6012	1	O-RING, -012, 90 Duro, .364" ID x .070" Thk,
28	1282338C91	1	COUPLING, QUICK, FEMALE, 7/8 NF, Self-Sealing, Female
29	1541792C1	1	WASHER, LOCK, Red, Special
30	306132C1	AR	STRAP, CABLE, .30" x 14.5", 14" Tie
31	515-23127	1	CLAMP, 1/2", Insul, 3/8" Bolt, 1/2 ID
32	409-7612	1	BOLT, Hex Flg, 3/8"-16 x 3/4", Serr,
33	231-5146	1	NUT, Flg, USR, 3/8"-16,

08-22 HYDRAULICS - FEEDER CLUTCH



08-22 HYDRAULICS - FEEDER CLUTCH

Ref	Part Number	Qty	Description
1	129010A4	1	VALVE, CONTROL, Parking Brake And Feeder Clutch, See Figure 08-17
2	128293A1	1	SUPPORT,
3	845-8070	2	BOLT, Hex Flg, M8 x 70, 8.8,
4	825-5148	2	NUT, M8, Flg Ser,
5	201-304	1	ELBOW, 90e, 11/16"-16 x 9/16"-18 Adj, ORFS, Inc. 6, 7
6	238-6012	1	O-RING, -012, 90 Duro, .364" ID x .070" Thk,
7	237-6006	1	O-RING, 6-1, 90 Duro, .468" ID x .078" Thk,
8	434296A1	1	HOSE, FLEXIBLE, 1570 mm (61-7/8 in) Feeder Clutch Cylinder Closed End
9	201-319	1	ELBOW, 90e, 11/16"-16 x 1/16"-16 Fem Sw ORFS, Inc. 10
10	238-6012	1	O-RING, -012, 90 Duro, .364" ID x .070" Thk,
12	201-101	1	CONNECTOR, HYD., 11/16"-16 ORFS x 9/16"-18 ORB, Includes 13, 14
13	237-6006	1	O-RING, 6-1, 90 Duro, .468" ID x .078" Thk,
14	238-6012	1	O-RING, -012, 90 Duro, .364" ID x .070" Thk,
15	131391A3	1	HOSE, FLEXIBLE, 1570 mm (61-7/8 in), Feeder Clutch Cylinder Rod End, Note: See Parking Brake Hydraulic System, Figure 07-05 For the Common Supply and Return Lines Used With the Feeder Clutch System.
16	201-332	1	ELBOW, 90e, 13/16"-16 x 9/16"-18, Adj, ORFS, Inc. 17, 18
17	238-6014	1	O-RING, -014, 90 Duro, .489" ID x .070" Thk,
18	237-6006	1	O-RING, 6-1, 90 Duro, .468" ID x .078" Thk,
19	201-320	1	ELBOW, 90e, 13/16"-16 x 13/16"-16 Fem Sw ORFS, Inc. 20
20	238-6014	1	O-RING, -014, 90 Duro, .489" ID x .070" Thk,
21	133405C92	1	CYLINDER, 51 ID x 63 mm strk, Feeder Clutch, See Figure 08-30
22	134713A1	1	VALVE, CHECK, Check Valve, Inc. 24, 25
23	237-6006	1	O-RING, 6-1, 90 Duro, .468" ID x .078" Thk,
24	238-6012	1	O-RING, -012, 90 Duro, .364" ID x .070" Thk,
25	470375C1	1	CLAMP,
26	409-7512	1	BOLT, Hex Flg, 5/16"-18 x 3/4", Serr,
27	231-5145	1	NUT, Flg, USR, 5/16"-18,
28	435437A1	2	STRAP, CABLE, 3/16" x 7 1/4", 7 in.



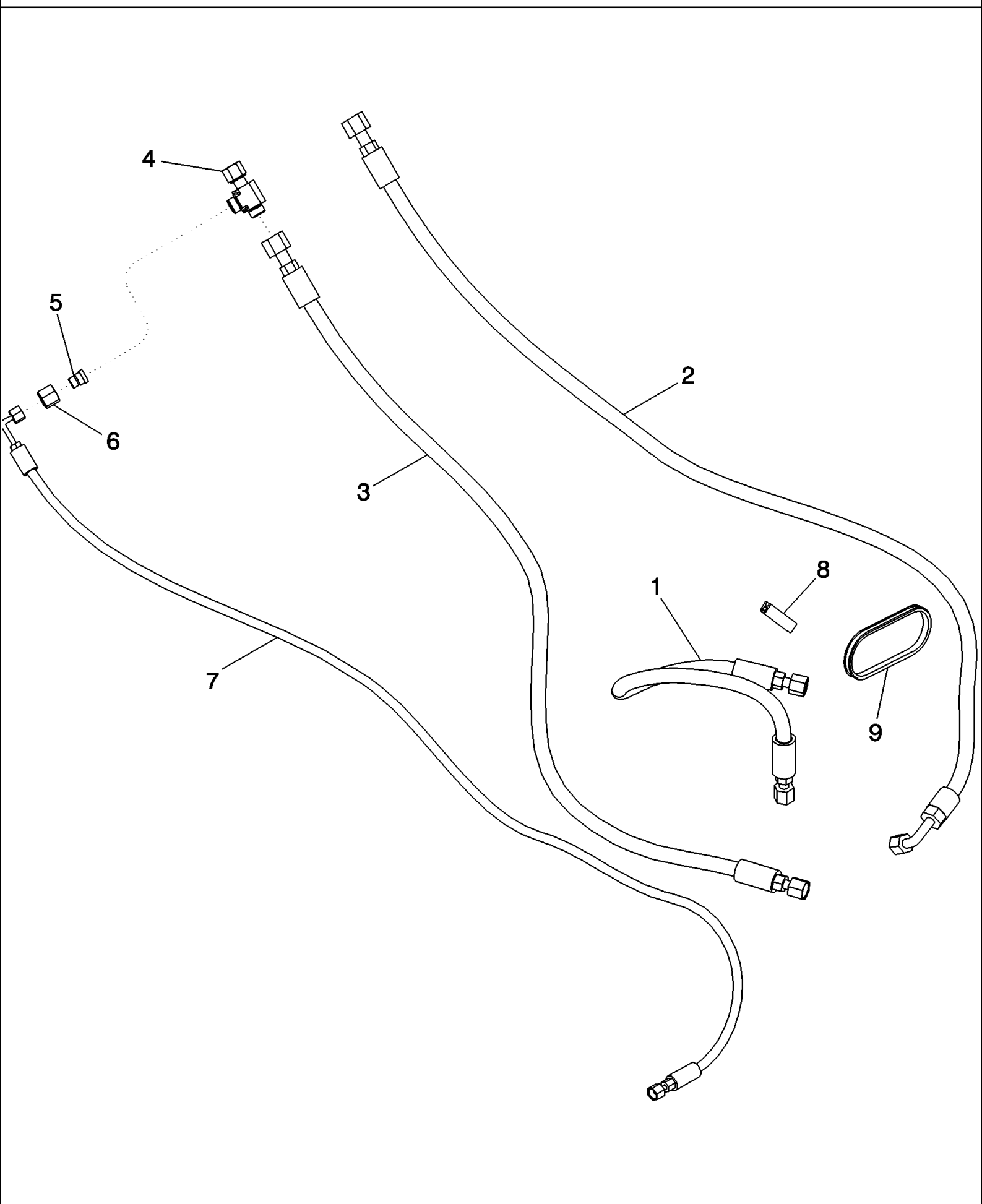
08-23 HYDRAULICS - ROTARY AIR SCREEN CIRCUIT (PLASTIC SCREEN)

Ref	Part Number	Qty	Description
1	435624A1	1	MOTOR, HYDRAULIC, Rotary Air Screen, BSN HAJ301707
1	86995688	1	MOTOR, HYDRAULIC, Rotary Air Screen, ASN HAJ301707
1A	9807617	1	KIT, SEALS,
2	272344	2	O-RING, -112, 90 Duro, .487" ID x .103" Thk,
3	86999174	1	VALVE, PRESSURE RELIEF, , See Figure 08-29, BSN HAJ301707
3	87641223	1	VALVE, Air Screen Bypass, See Figure 08-29, ASN HAJ301707
4	73170457	4	SCREW, Hex Soc Hd, M8 x 50, 8.8,
5	906093R1	1	KEY, M8 x 7 x 32, Par,
6	86597760	1	CONNECTOR, HYD., 1"-14 ORFS x M27 x 2 ORB, Inc. 7, 8
7	238-6014	1	O-RING, -014, 90 Duro, .489" ID x .070" Thk,
8	237-6012	1	O-RING, 12-1, 90 Duro, .924 ID x .118" Thk,
9	86597761	1	CONNECTOR, HYD., 13/16"-16 ORFS x M27 x 2 ORB, Incl. 10, 11
10	238-6016	1	O-RING, -016, 90 Duro, .614" ID x .070" Thk,
11	237-6012	1	O-RING, 12-1, 90 Duro, .924 ID x .118" Thk,
12	391541A1	2	HOSE, FLEXIBLE, Tube to Valve
13	370261A2	1	TUBE, HYD, Return
14	238-6016	2	O-RING, -016, 90 Duro, .614" ID x .070" Thk,
15	370257A3	1	TUBE, HYD, Supply Pressure
16	238-6014	2	O-RING, -014, 90 Duro, .489" ID x .070" Thk,
17	370263A1	1	HOSE, FLEXIBLE, Tube to Filter, Return
18	201-103	1	CONNECTOR, HYD., 1"-14 ORFS x 7/8"-14 ORB, Inc. 19, 20
19	238-6016	1	O-RING, -016, 90 Duro, .614" ID x .070" Thk,
20	237-6010	1	O-RING, 10-1, 90 Duro, .755" ID x .097" Thk,
21	87784C92	1	FILTER, HYDRAULIC OIL, , See Figure 08-03
22	370255A1	1	HOSE, Pump to Tube
23	201-112	1	CONNECTOR, HYD., 13/16"-16 ORFS x 7/8"-14 ORB,
24	237-6010	1	O-RING, 10-1, 90 Duro, .755" ID x .097" Thk,
25	375147A1	1	PUMP, HYDRAULIC, , See Figure 08-08
26	135355A1	1	SUPPORT, Center
27	109619A1	3	CLAMP,
28	1347127C1	3	PLATE, Tube Clamp
29	413-540	3	BOLT, Hex, 5/16"-18 x 2 1/2", G5,
30	231-5315	3	NUT, LOCK, Flg, 5/16"-18,
31	409-7512	1	BOLT, Hex Flg, 5/16"-18 x 3/4", Serr,
32	231-5145	1	NUT, Flg, USR, 5/16"-18,
33	201-382	1	ELBOW, 45e, 13/16"-16 Blkhd, ORFS,
34	495-81057	2	WASHER, 29/32" x 1 1/2" x .120",
35	201-903	1	NUT, LOCK, Blkhd, 13/16"-16,
36	87017731	1	ELBOW, 45e, 1"-14 Blkhd, ORFS,
37	495-81070	2	WASHER, 1 1/32" x 1 1/2" x .120",
38	201-919	1	NUT, LOCK, Blkhd, 1"-14,
39	86987926	2	HOSE, FLEXIBLE,
40	470375C1	1	CLAMP,

2388 CASE IH AXIAL-FLOW COMBINE (RU) ASN HAJ0300001 (10/06-)

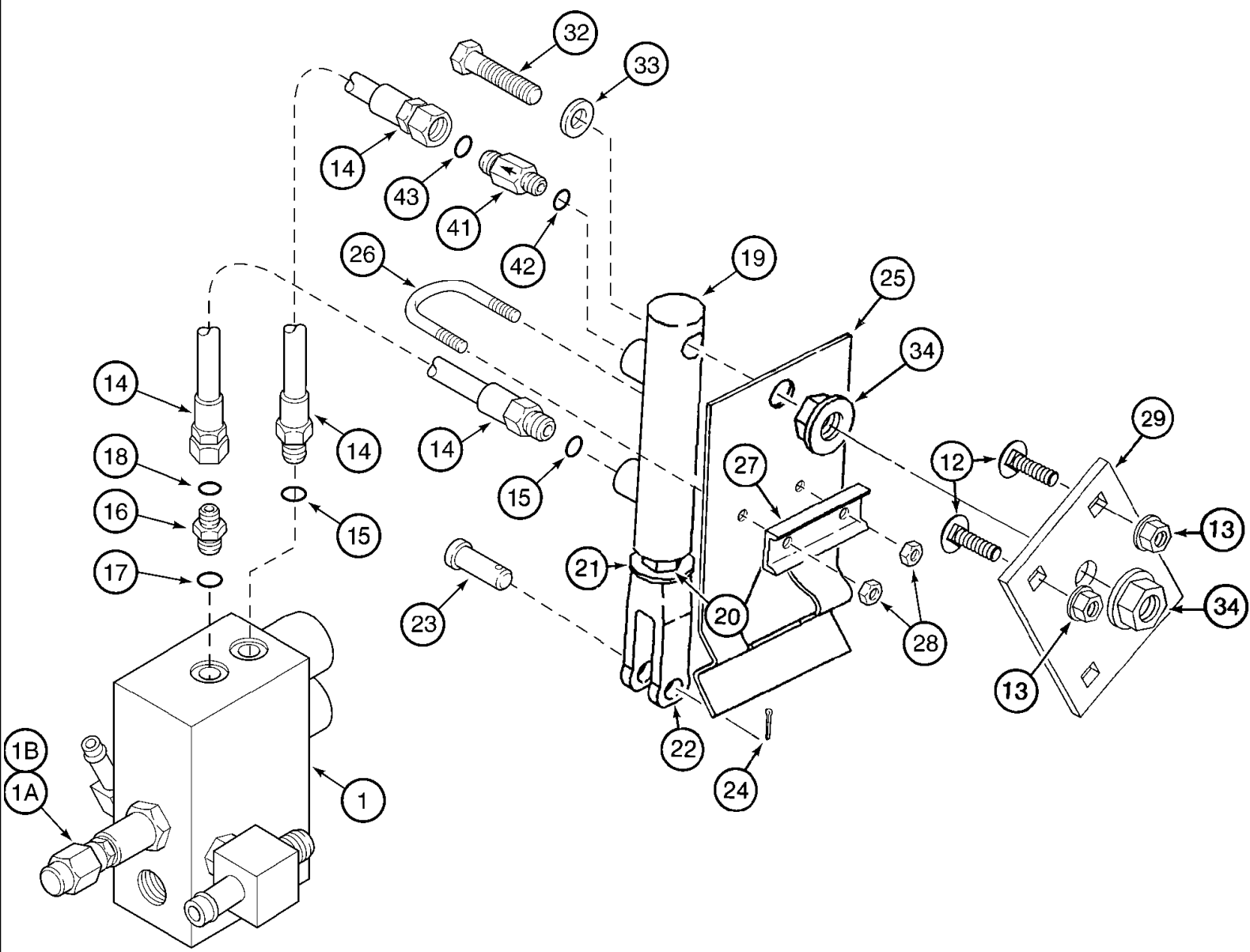
08-23 HYDRAULICS - ROTARY AIR SCREEN CIRCUIT (PLASTIC SCREEN)

Ref	Part Number	Qty	Description
41	485093C1	1	CLAMP,
42	370228A1	1	ELBOW, 90, Special, Inc. 43
43	237-6020	1	O-RING, 20-1, 90 Duro, 1.475" ID x .118" Thk,



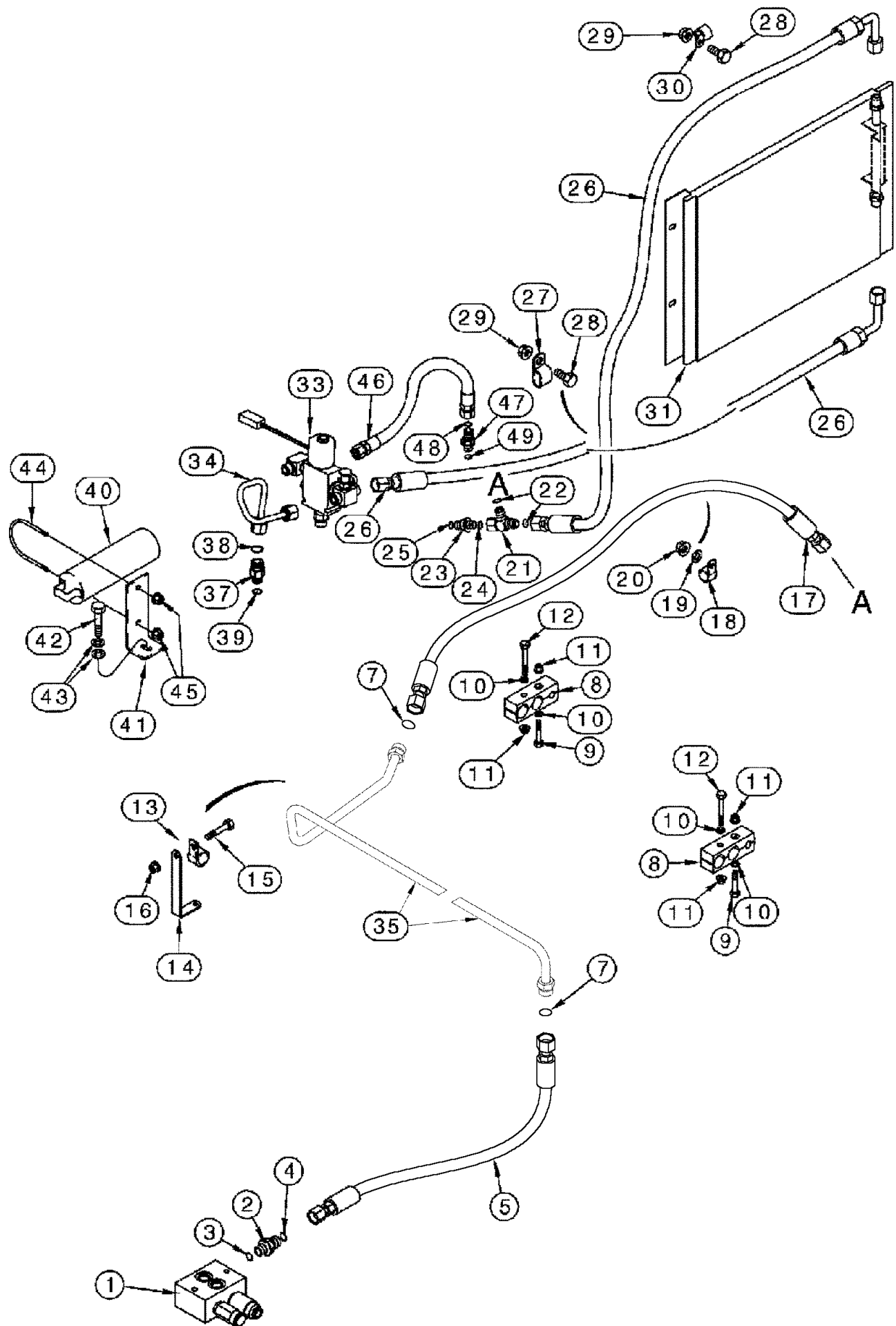
08-24 HYDRAULICS - ROTARY AIR SCREEN VACUUM

Ref	Part Number	Qty	Description
1	87358031	1	HOSE ASSY., Supply
2	87358033	1	HOSE ASSY., Return
3	87358032	1	HOSE ASSY., Drain
4	201-416	1	TEE, 13/16"-16 ORFS x 13/16"-16 Sw Run,
5	201-110	1	REDUCER, 9/16"-18 Male x 13/16"-16 Fem, ORFS,
6	203-902	1	NUT, 13/16"-16 ORFS,
7	391541A1	1	HOSE, FLEXIBLE, Rotary Screen Tube to Valve
8	122150A1	1	STRIP, PROTECTION,
9	87582269	1	DUCT, Edge Guard



08-25 HYDRAULICS - UNLOADER CLUTCH

Ref	Part Number	Qty	Description
1	384307A1	1	VALVE, SOLENOID, Pressure Regulator, Inc. 1A, 1B, See Figure 08-28
1A	377593A1	1	VALVE, PRESSURE RELIEF, Regulator, Inc. 1B
1B	190709A1	1	KIT, SEALS, Valve Cartridge, (Not Shown)
12	434-612	4	BOLT, CARRIAGE, Short NK, 3/8"-16 x 3/4", G5, Full Thd,
13	231-5146	4	NUT, Flg, USR, 3/8"-16,
14	128068A2	2	HOSE, FLEXIBLE, 760 mm (30 in), Inc. 15, At Unloader Clutch Cylinder
15	237-6006	1	O-RING, 6-1, 90 Duro, .468" ID x .078" Thk,
16	201-101	1	CONNECTOR, HYD., 11/16"-16 ORFS x 9/16"-18 ORB, Includes 17, 18
17	237-6006	1	O-RING, 6-1, 90 Duro, .468" ID x .078" Thk,
18	238-6012	1	O-RING, -012, 90 Duro, .364" ID x .070" Thk,
19	87337243	1	CYLINDER, Unloader Clutch
20	425-118	1	NUT, 1/2"-20, G5,
21	189153A1	1	WASHER,
22	213-128	1	CLEVIS, ADJUSTABLE, 1/2"-20 x 3",
23	427-8136	1	PIN, CLEVIS, 1/2" x 1.360",
24	432-820	1	PIN, SPLIT (COTTER), 1/8" x 1 1/4",
25	175611A2	1	HOLDER,
26	188528A1	1	U-BOLT,
27	176023A2	1	SUPPORT,
28	425-104	2	NUT, 1/4"-20, G5,
29	112942A2	1	PLATE,
32	413-1048	1	BOLT, Hex, 5/8"-11 x 3", G5,
33	495-11066	1	WASHER, 5/8", SAE,
34	231-51410	2	NUT, Flg, USR, 5/8"-11,
41	327679A1	1	VALVE, CHECK, Inline, Inc. 42, 43, To Slow Unloader Engagement
42	237-6006	1	O-RING, 6-1, 90 Duro, .468" ID x .078" Thk,
43	238-6012	1	O-RING, -012, 90 Duro, .364" ID x .070" Thk,

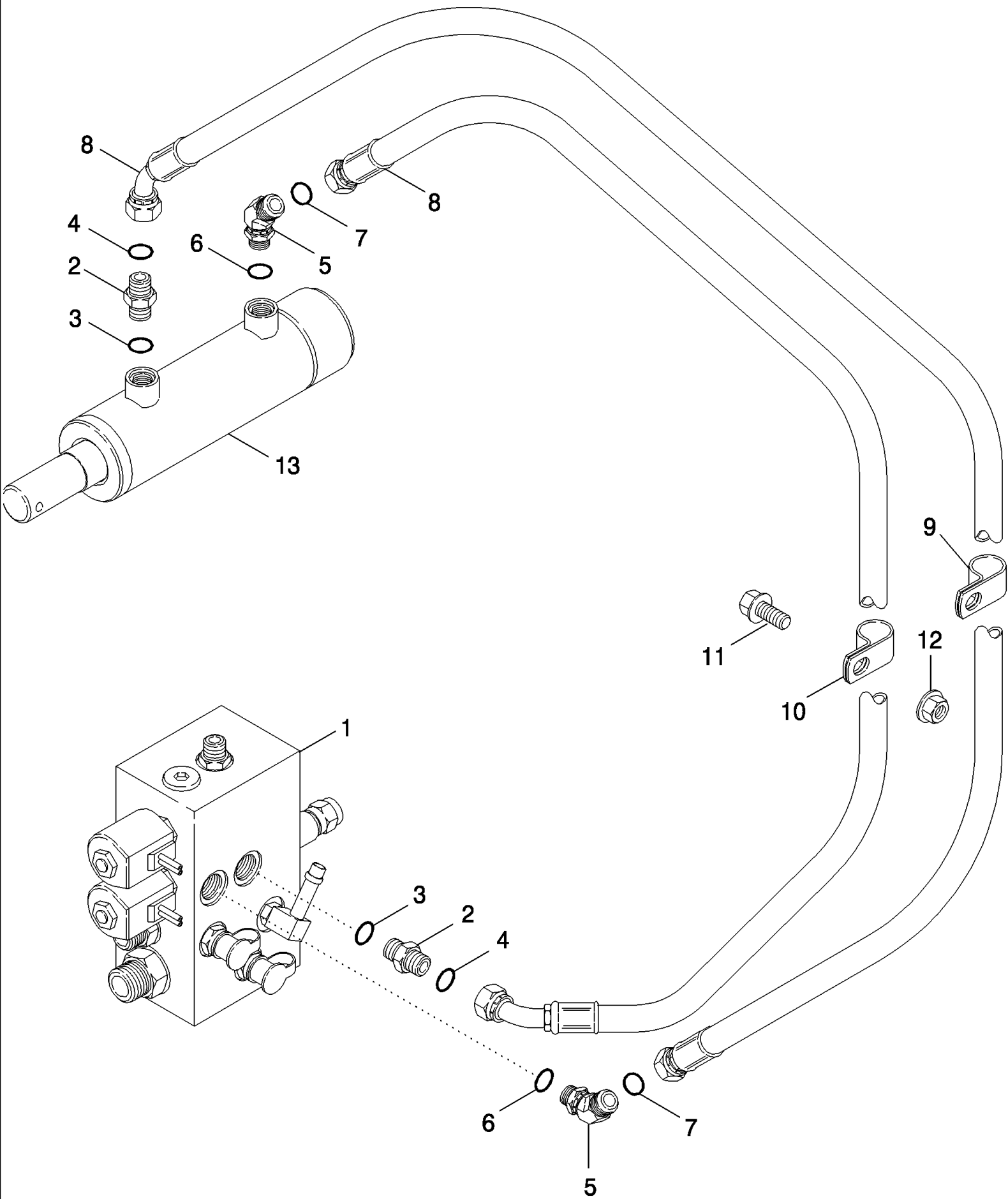


08-26 HYDRAULICS - SEPARATOR CLUTCH - PTO CIRCUIT

Ref	Part Number	Qty	Description
1	327580A1	1	VALVE, BY-PASS,
2	201-102	1	CONNECTOR, HYD., 13/16"-16 ORFS x 3/4"-16 ORB, Includes 3, 4
3	238-6014	1	O-RING, -014, 90 Duro, .489" ID x .070" Thk,
4	237-6008	1	O-RING, 8-1, 90 Duro, .644" ID x .087" Thk,
5	391541A1	1	HOSE, FLEXIBLE, By-Pass Valve to Tube
7	238-6014	2	O-RING, -014, 90 Duro, .489" ID x .070" Thk,
8	227575A1	2	CLAMP,
9	413-528	2	BOLT, Hex, 5/16"-18 x 1 3/4", G5,
10	495-21038	4	WASHER, 5/16",
11	231-5145	4	NUT, Flg, USR, 5/16"-18,
12	413-540	2	BOLT, Hex, 5/16"-18 x 2 1/2", G5,
13	515-23127	1	CLAMP, 1/2", Insul, 3/8" Bolt,
14	291899A1	1	SUPPORT,
15	409-7516	1	BOLT, Hex Flg, 5/16"-18 x 1", Serr,
16	231-5145	1	NUT, Flg, USR, 5/16"-18,
17	370263A1	1	HOSE, FLEXIBLE, Tube to Clutch
18	515-23190	1	CLAMP, 3/4", Insul, 3/8" Bolt,
19	495-11028	1	WASHER, 1/4", SAE,
20	231-5144	1	NUT, Flg, USR, 1/4"-20,
21	201-416	1	TEE, 13/16"-16 ORFS x 13/16"-16 Sw Run, Inc. 22
22	238-6014	1	O-RING, -014, 90 Duro, .489" ID x .070" Thk,
23	201-126	1	CONNECTOR, HYD., 13/16"-16 ORFS x 9/16"-20 ORB, Inc. 24, 25
24	238-6014	1	O-RING, -014, 90 Duro, .489" ID x .070" Thk,
25	237-6006	1	O-RING, 6-1, 90 Duro, .468" ID x .078" Thk,
26	390011A1	2	HOSE, FLEXIBLE, PTO to Cooler
27	515-25476	1	CLAMP, 1 7/8", Insul, 1/2" Bolt,
28	409-7516	2	BOLT, Hex Flg, 5/16"-18 x 1", Serr,
29	231-5145	2	NUT, Flg, USR, 5/16"-18,
30	515-23317	1	CLAMP, 1 1/4", Insul, 3/8" Bolt,
31	183747C1	1	COOLER, OIL,
33	275986A2	1	VALVE, PTO Clutch, Not Serviced As An Assembly, Order 275982A1
34	275920A2	1	TUBE, HYD, PTO Cooling
35	370261A2	1	TUBE, HYD, By-Pass Valve to Clutch
37	275974A1	1	VALVE, CHECK, In-Line, Inc. 38, 39
38	238-6014	1	O-RING, -014, 90 Duro, .489" ID x .070" Thk,
39	237-6008	1	O-RING, 8-1, 90 Duro, .644" ID x .087" Thk,
40	1541941C1	1	ACCUMULATOR,
41	275987A1	1	SUPPORT,
42	426-628	1	BOLT, Hex, 3/8"-16 x 1 3/4", G8,
43	495-81132	2	WASHER, 13/32" x 7/8" x .179",
44	186505C1	1	BOLT,
45	231-5144	2	NUT, Flg, USR, 1/4"-20,
46	278174A1	1	HOSE, FLEXIBLE, PTO Valve to Clutch

08-26 HYDRAULICS - SEPARATOR CLUTCH - PTO CIRCUIT

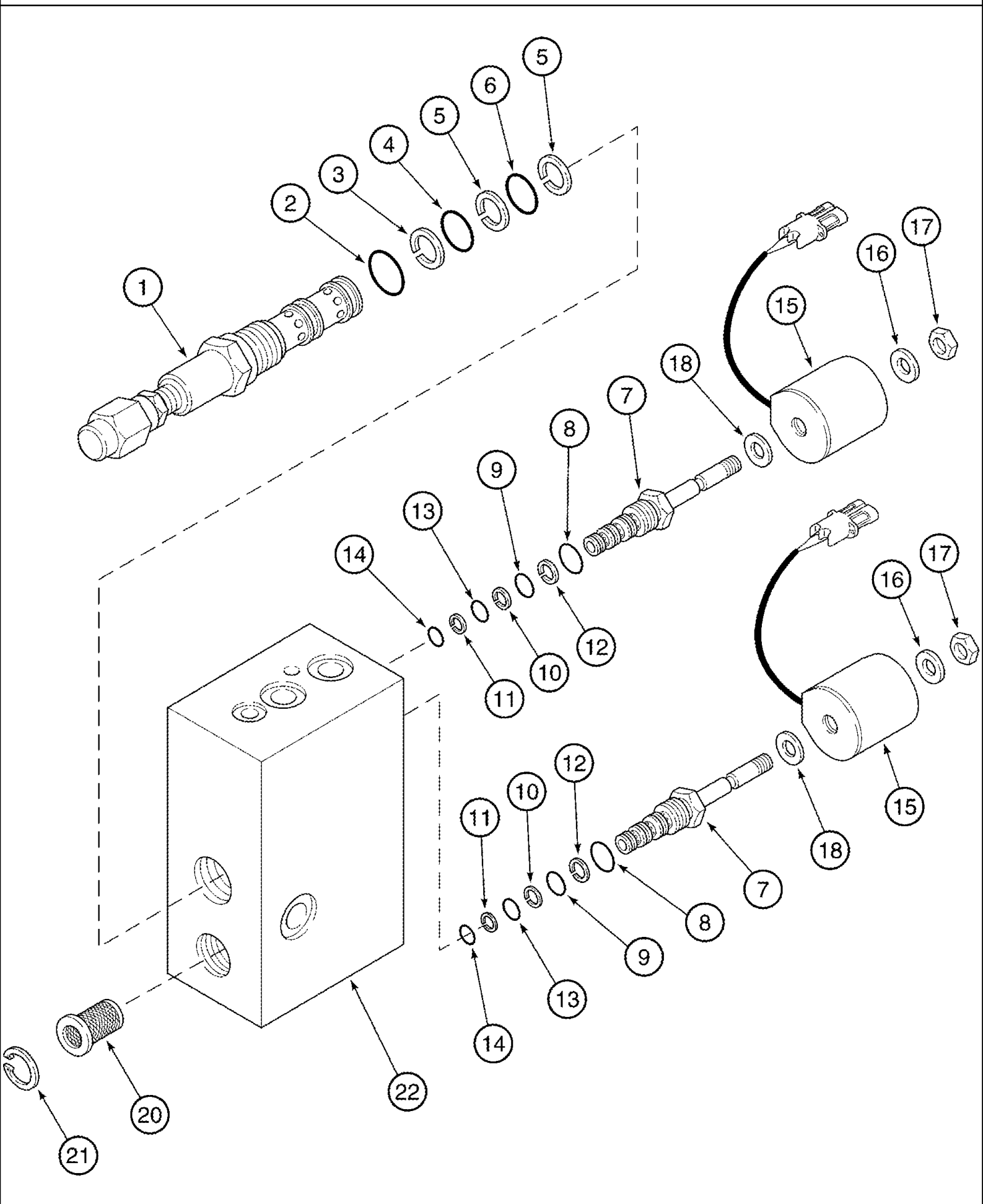
Ref	Part Number	Qty	Description
47	201-126	1	CONNECTOR, HYD., 13/16"-16 ORFS x 9/16"-20 ORB, Inc. 48, 49
48	238-6014	1	O-RING, -014, 90 Duro, .489" ID x .070" Thk,
49	237-6006	1	O-RING, 6-1, 90 Duro, .468" ID x .078" Thk,



08-27 HYDRAULICS - SEPARATOR CLUTCH

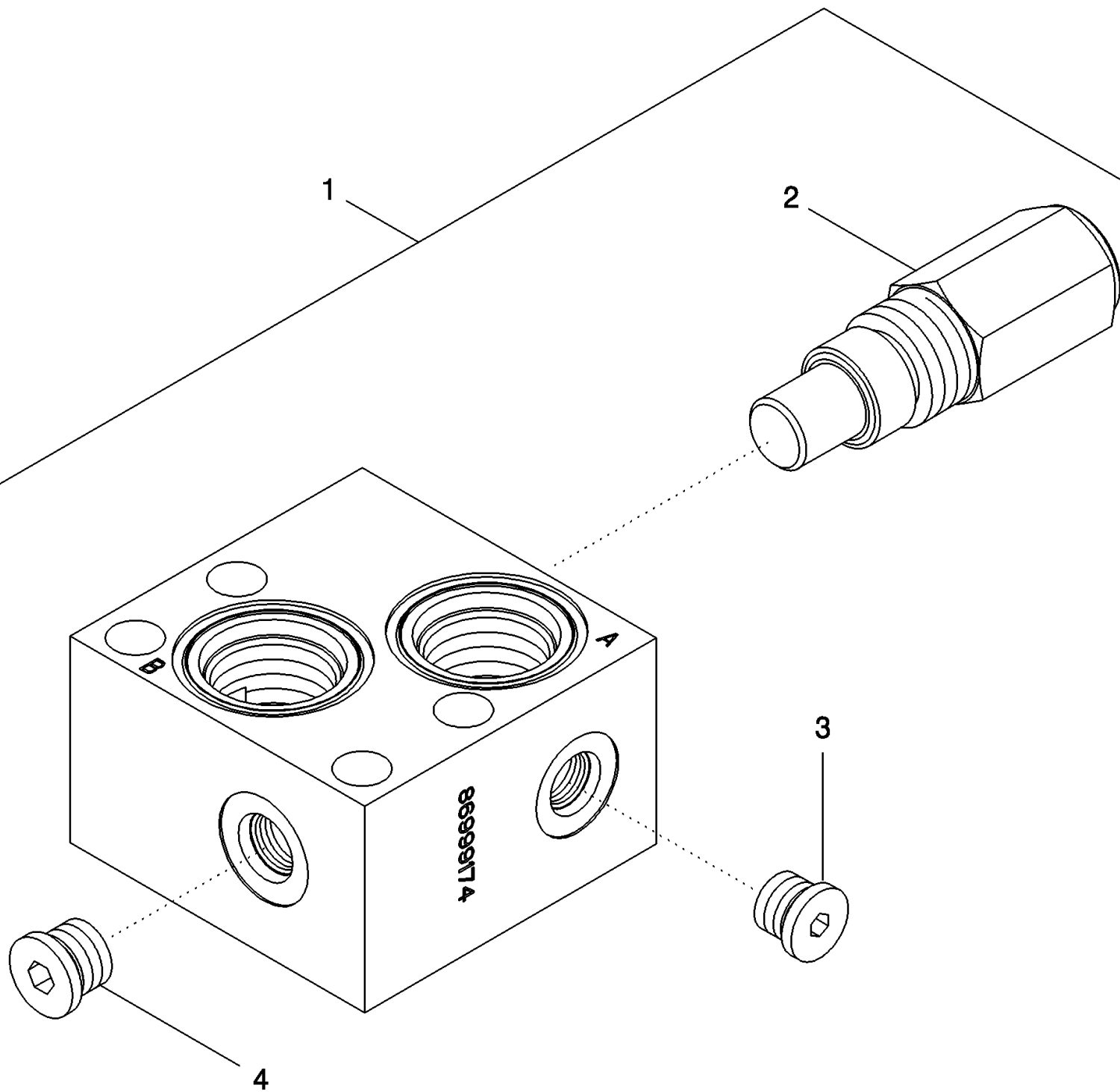
Ref	Part Number	Qty	Description
1	384307A1	1	VALVE, SOLENOID, Separator Clutch, See Figure 08-28
2	134713A1	1	VALVE, CHECK, 11/16 fc sl x 9/16 Or, Inc. 3, 4
3	237-6006	1	O-RING, 6-1, 90 Duro, .468" ID x .078" Thk,
4	238-6012	1	O-RING, -012, 90 Duro, .364" ID x .070" Thk,
5	201-315	2	ELBOW, 45e, 11/16"-16 x 9/16"-18. Adj, ORFS, Inc. 6, 7
6	237-6006	1	O-RING, 6-1, 90 Duro, .468" ID x .078" Thk,
7	238-6012	1	O-RING, -012, 90 Duro, .364" ID x .070" Thk,
8	390011A1	2	HOSE, FLEXIBLE, 760 mm (30 in), Separator Clutch
9	515-25476	1	CLAMP, 1 7/8", Insul, 1/2" Bolt,
10	515-23317	1	CLAMP, 1 1/4", Insul, 3/8" Bolt,
11	409-7516	2	BOLT, Hex Flg, 5/16"-18 x 1", Serr,
12	231-5145	2	NUT, Flg, USR, 5/16"-18,
13	87337232	1	CYLINDER, Separator Clutch
14	87364303	1	KIT, SEALS, Kit, Separator Clutch
15	381850R2	2	BACK-UP RING, Back-up
16	238-6326	1	O-RING, -326, 90 Duro, 1.60" ID x .210" Thk,
17	377230R1	1	BACK-UP RING, Back-Up
18	238-5224	1	O-RING, -224, 70 Duro, 1.734" ID x .139" Thk,
19	389500A1	1	SEAL, 1 in, Rod
20	532773R1	1	WIPER, Rod
21	461180R1	1	RETAINER,

08-28 VALVE ASSY - CLUTCH, SEPARATOR/UNLOADER



08-28 VALVE ASSY - CLUTCH, SEPARATOR/UNLOADER

Ref	Part Number	Qty	Description
	384307A1	1	VALVE, SOLENOID, Pressure Regulator, Inc. 1 - 22
1	377593A1	1	VALVE, PRESSURE RELIEF, Inc. 190709A1
	190709A1	1	KIT, SEALS, Valve Cartridge, Inc. 2 - 6
2	NSS	1	NOT SERVICED SEPARATELY, O-Ring
3	NSS	11	NOT SERVICED SEPARATELY, Ring, Backup
4	NSS	1	NOT SERVICED SEPARATELY, O-Ring
5	NSS	2	NOT SERVICED SEPARATELY, Ring, Backup
6	NSS	1	NOT SERVICED SEPARATELY, O-Ring
7	187849C1	2	VALVE, SOLENOID, 4-Way, Cartridge Only, Inc. 187850C1
	187850C1	2	KIT, SEALS, Inc. 8 - 14
8	NSS	1	NOT SERVICED SEPARATELY, O-Ring
9	NSS	1	NOT SERVICED SEPARATELY, O-Ring
10	NSS	1	NOT SERVICED SEPARATELY, O-Ring
11	NSS	1	NOT SERVICED SEPARATELY, O-Ring
12	NSS	1	NOT SERVICED SEPARATELY, Washer
13	NSS	1	NOT SERVICED SEPARATELY, Washer
14	NSS	1	NOT SERVICED SEPARATELY, Washer
	1340843C1	2	COIL, 12V, Inc. 15 - 18
15	NSS	1	NOT SERVICED SEPARATELY, Coil
16	NSS	1	NOT SERVICED SEPARATELY, Plate
17	NSS	1	NOT SERVICED SEPARATELY, Nut
18	NSS	1	NOT SERVICED SEPARATELY, Plate
20	241892A1	1	SCREEN, FILTER,
21	100-2187	1	RING, SNAP, 0.875", Int, #87,
22	NSS	1	NOT SERVICED SEPARATELY, Body, Valve, Order 399067A1

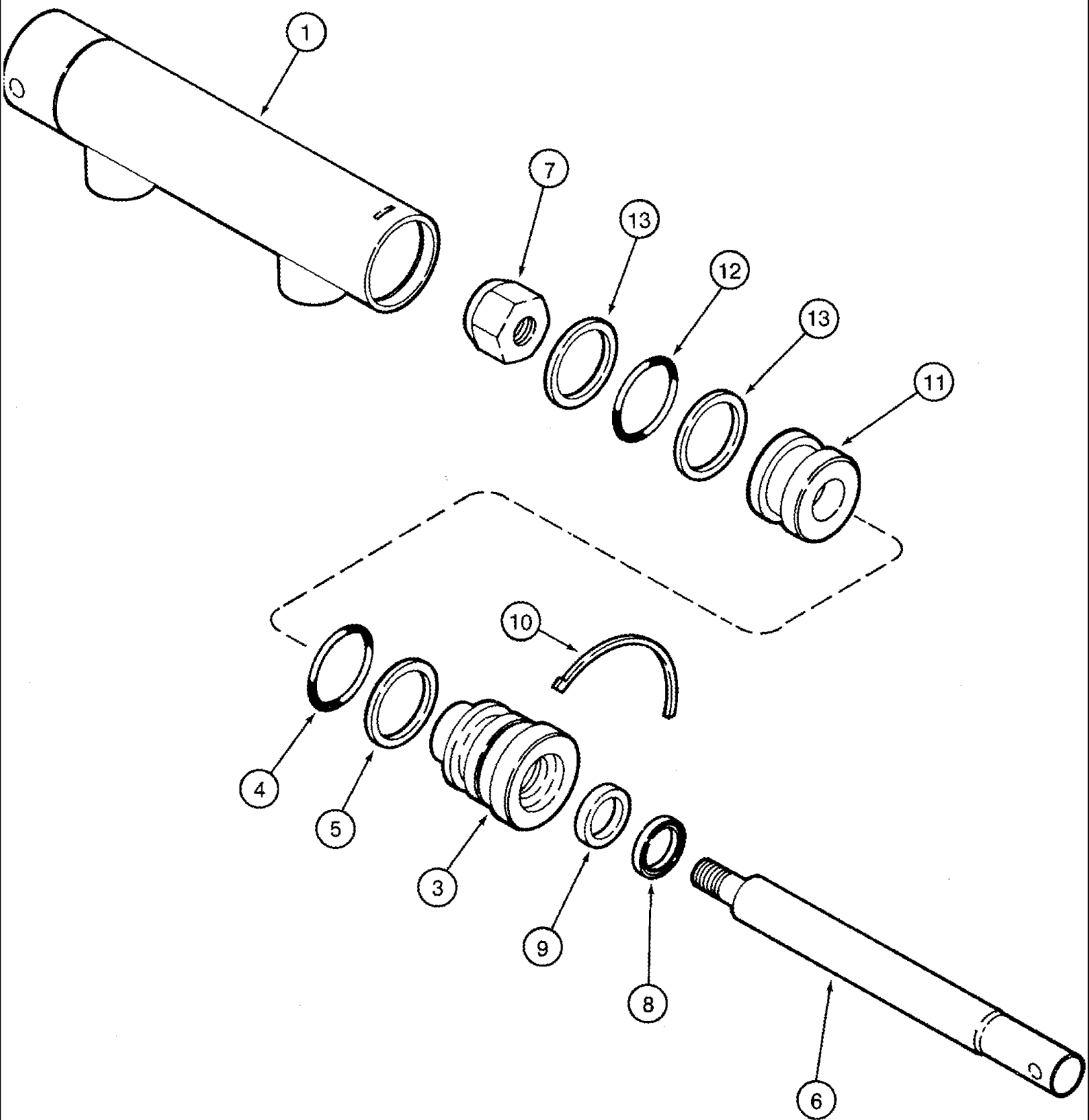


2388 CASE IH AXIAL-FLOW COMBINE (RU) ASN HAJ0300001 (10/06-)

08-29 VALVE ASSY - ROTARY SCREEN BYPASS

Ref	Part Number	Qty	Description
1	86999174	1	VALVE, PRESSURE RELIEF, Rotary Air Screen, Inc. 2 - 4, BSN HAJ301707
1	87641223	1	VALVE, Rotary Air Screen, Inc. 2 - 4, ASN HAJ301707
2	86987869	1	VALVE, PRESSURE RELIEF, , BSN HAJ301707
2	87645709	1	VALVE, 280 psi, Preset, ASN HAJ301707
3	87035062	1	PLUG, Hex Soc, 1/2"-20 ORB,
4	9625178	1	PLUG, Hex Soc, 9/16"-18 ORB,
5	149942C1	1	KIT, SEALS, Inc. (2) O-rings And Back-up Ring, (Not Shown), BSN HAJ301707

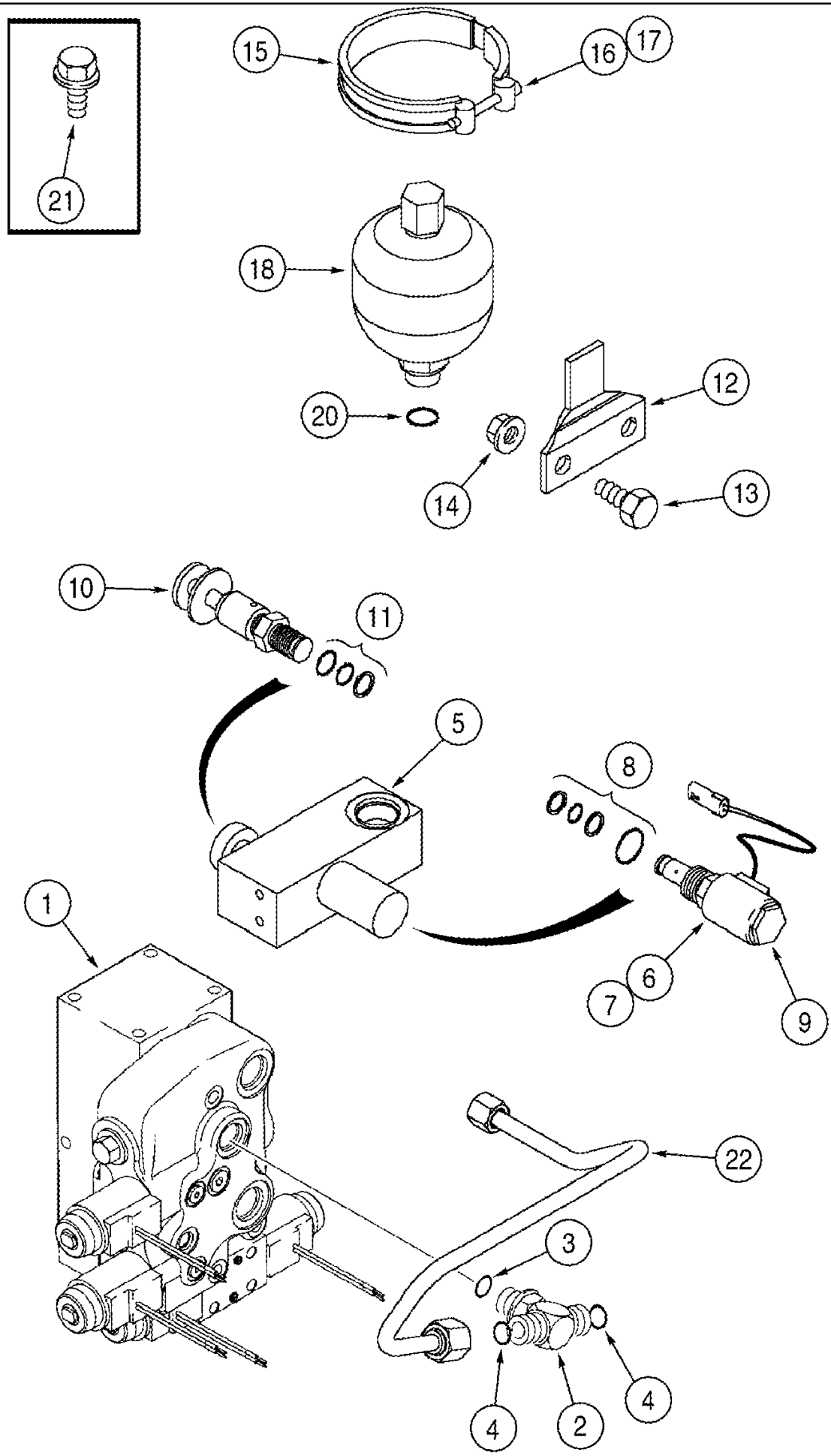
08-30 CYLINDER ASSYS - FEEDER CLUTCH



08-30 CYLINDER ASSYS - FEEDER CLUTCH

Ref	Part Number	Qty	Description
	133405C92	1	CYLINDER, 51 ID x 63 mm strk, Feeder Clutch, Inc. 1 - 13
1	NSS	1	NOT SERVICED SEPARATELY, Body, Order 133405C92
3	108641C1	1	GLAND,
4	238-6326	1	O-RING, -326, 90 Duro, 1.60" ID x .210" Thk,
5	381293R1	1	WASHER,
6	108639C1	1	ROD, PISTON,
7	231-41310	1	NUT, LOCK, 5/8"-11, GB,
8	532773R1	1	WIPER,
9	119185C1	1	SEAL,
10	140600C1	1	WIRE, RETAINING,
11	108640C2	1	PISTON,
12	238-6326	1	O-RING, -326, 90 Duro, 1.60" ID x .210" Thk,
13	381850R2	2	BACK-UP RING, Back-up
	63884C92	1	KIT, SEALS, Inc. 4, 5, 8-10, 12, 13

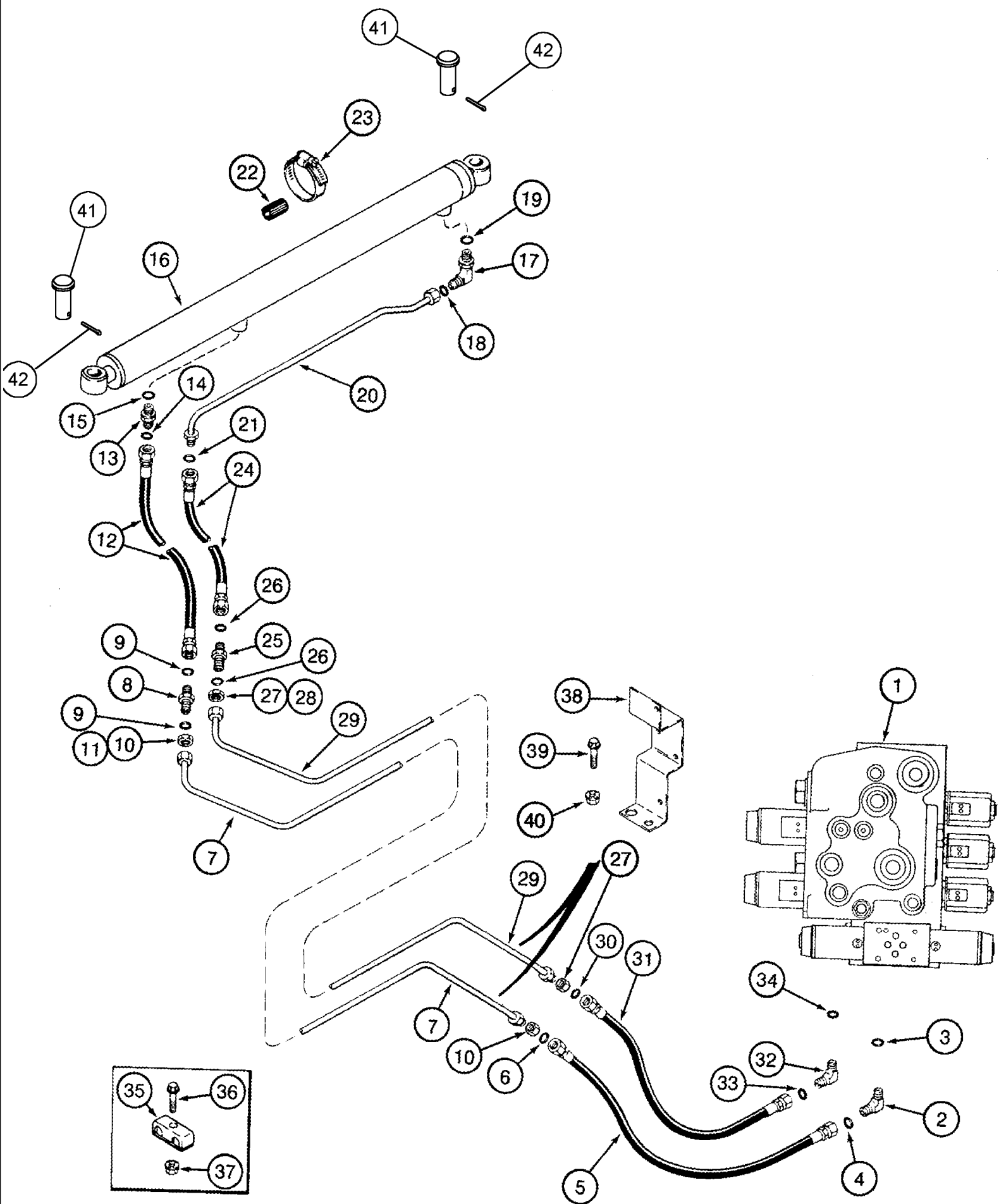
08-31 ACCUMULATOR - MOUNTING AND SYSTEM



08-31 ACCUMULATOR - MOUNTING AND SYSTEM

Ref	Part Number	Qty	Description
1	124565A3	1	VALVE, CONTROL, Header Lift, See Figure(s) 08-09, 08-11, 08-12, 08-14, 08-15
2	201-403	1	TEE, 1"-14 x 7/8"-14 Br, ORFS, Includes Ref. 3, 4, For Attaching Parts, See Figure 08-10
3	237-6010	1	O-RING, 10-1, 90 Duro, .755" ID x .097" Thk,
4	238-6016	2	O-RING, -016, 90 Duro, .614" ID x .070" Thk,
5	368154A1	1	VALVE, CONTROL, Inc. 6 - 11, Accumulator, Solenoid Operated
6	377447A1	1	VALVE, Inc. 7, 8, Cartridge
7	NSS	1	NOT SERVICED SEPARATELY, Valve, Solenoid
8	377450A1	1	KIT, SEALS, Seal, Inc. (2) O-Rings and (2) Backup Ring
9	377448A1	1	COIL, 12V
10	377449A1	1	VALVE, Needle, Adjustable, Inc.11
11	377451A1	1	KIT, SEALS, Seal, Inc. (2) O-Rings and (1) Backup Ring
12	368156A2	1	SUPPORT,
13	413-516	2	BOLT, Hex, 5/16"-18 x 1", G5, Full Thd,
14	231-5145	2	NUT, Flg, USR, 5/16"-18,
15	368157A1	1	CLAMP, Inc. 16, 17
16	864-8070	1	SCREW, Hex Soc Hd, M8 x 70, 8.8,
17	829-1408	1	NUT, M8, CI 10,
18	450817A1	1	ACCUMULATOR, Feeder Lift, Inc. 19 - 20
19	87106501	1	KIT, Accumulator Charging, (Not Shown)
20	237-6016	1	O-RING, 16-1, 90 Duro, 1.171" ID x .118" Thk,
21	409-7512	2	BOLT, Hex Flg, 5/16"-18 x 3/4", Serr,
22	368155A2	1	TUBE, HYD, Accumulator Valve to Header Lift Valve
23	201-305	1	ELBOW, 90e, 13/16"-18 x 3/4"-18 Adj, ORFS, Incl. 24, 25, (Not Shown)
24	237-6008	1	O-RING, 8-1, 90 Duro, .644" ID x .087" Thk,
25	238-6014	1	O-RING, -014, 90 Duro, .489" ID x .070" Thk, (Not Shown)

08-32 HYDRAULICS - UNLOADER TUBE SWING CYLINDER



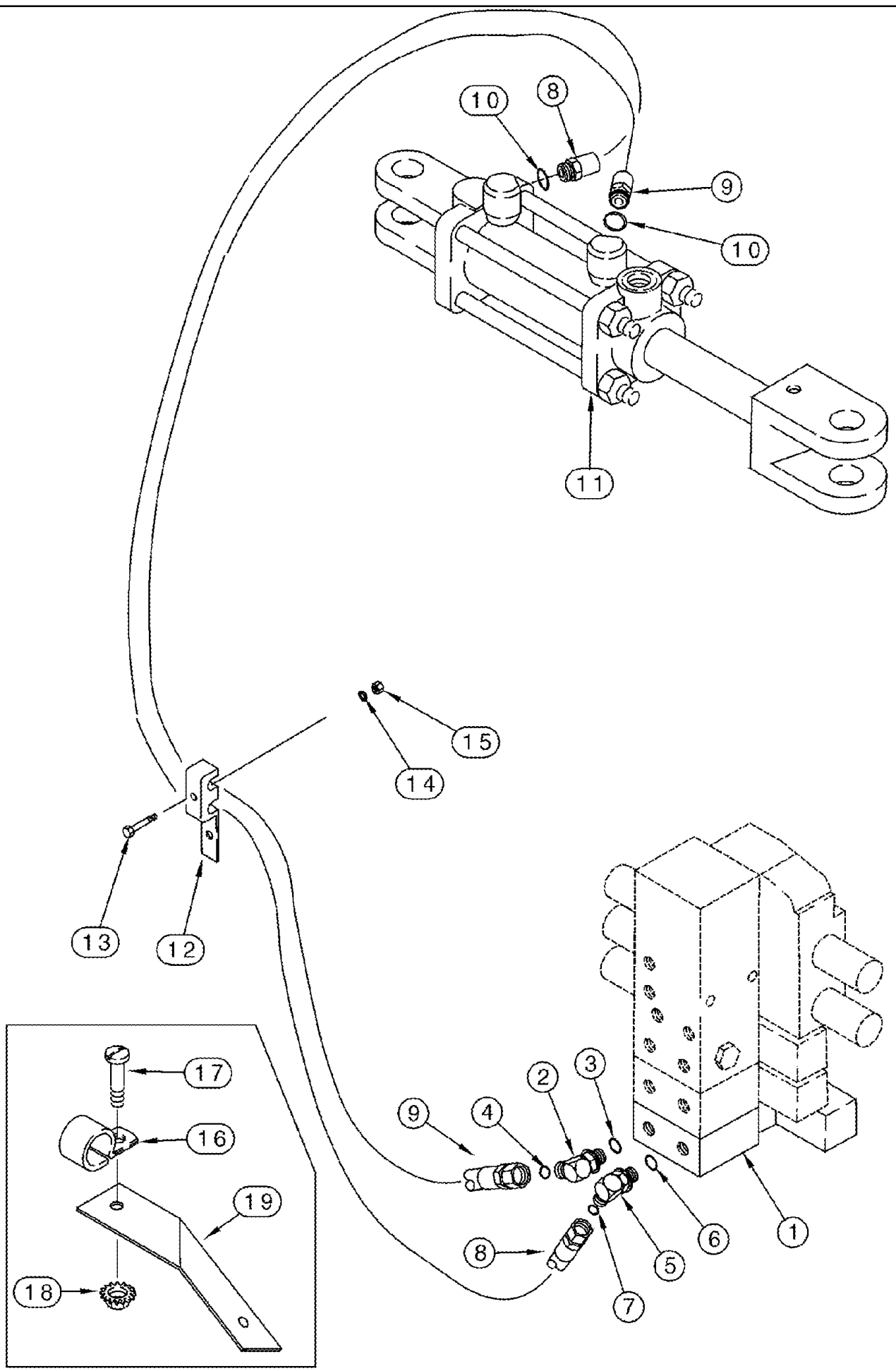
08-32 HYDRAULICS - UNLOADER TUBE SWING CYLINDER

Ref	Part Number	Qty	Description
1	124565A3	1	VALVE, CONTROL, Header Lift, See Figure(s) 08-11, 08-12, 08-14, 08-15
2	201-324	1	ELBOW, 90e, 9/16"-18 x 9/16"-18, Adj, ORFS, Includes Ref. 3, 4
3	237-6006	1	O-RING, 6-1, 90 Duro, .468" ID x .078" Thk,
4	238-6011	1	O-RING, -011, 90 Duro, .301" ID x .070" Thk,
5	300718A1	1	HOSE, FLEXIBLE, Unloader Tube Swing Out, At Valve
6	238-6011	1	O-RING, -011, 90 Duro, .301" ID x .070" Thk,
7	292406A1	1	TUBE, HYD, Unloader Swing Out
8	201-108	1	CONNECTOR, HYD., 9/16"-18, Blkhd, ORFS, Inc. 9
9	238-6011	2	O-RING, -011, 90 Duro, .301" ID x .070" Thk,
10	218-1254	2	NUT, LOCK, Blkhd, 9/16"-18,
11	495-11059	1	WASHER, 9/16",
12	134978A2	1	HOSE, 540 mm (21-1/4 in), Unloader Tube Swing Out, At Cylinder
13	201-100	1	CONNECTOR, HYD., 9/16"-18 ORFS x 7/16"-20 ORB, Inc. 14, 15
14	238-6011	1	O-RING, -011, 90 Duro, .301" ID x .070" Thk,
15	237-6004	1	O-RING, 4-1, 90 Duro, .351" ID x .072" Thk,
16	87597336	1	CYLINDER ASSY., Unloader Tube Swing
16A	87364304	1	KIT, LINK ARM ASSY, Monarch Cylinder, (Not Shown)
16A	188806A1	1	KIT, SEALS, Parker Cylinder, (Not Shown)
17	201-303	1	ELBOW, 90e, 9/16"-18 x 7/16"-20 Adj, ORFS, Inc. 18, 19
18	238-6011	1	O-RING, -011, 90 Duro, .301" ID x .070" Thk,
19	237-6004	1	O-RING, 4-1, 90 Duro, .351" ID x .072" Thk,
20	134643A2	1	TUBE, HYD,
21	238-6012	1	O-RING, -012, 90 Duro, .364" ID x .070" Thk,
22	163489C1	1	STRIP, 1/4 ID x 1-13/64
23	214-1432	1	CLAMP, HOSE, #32, 1.56/2.50 Type F Worm,
24	134976A1	1	HOSE, FLEXIBLE, 510 mm (20-1/16 in)
25	201-120	1	CONNECTOR, HYD., 11/16"-16, Blkhd, ORFS, Inc. 26
26	238-6012	2	O-RING, -012, 90 Duro, .364" ID x .070" Thk,
27	201-909	2	NUT, LOCK, Blkhd, 11/16"-16,
28	495-81033	1	WASHER, 23/32" x 1 1/2" x .120",
29	292405A1	1	TUBE, HYD, Unloader Swing In
30	238-6012	1	O-RING, -012, 90 Duro, .364" ID x .070" Thk,
31	293482A1	1	HOSE, FLEXIBLE, Unloader Tube Swing In, At Valve
32	201-304	1	ELBOW, 90e, 11/16"-16 x 9/16"-18 Adj, ORFS, Inc. 33, 34
33	238-6012	1	O-RING, -012, 90 Duro, .364" ID x .070" Thk,
34	237-6006	1	O-RING, 6-1, 90 Duro, .468" ID x .078" Thk,
35	183824C1	2	CLAMP,
36	409-7416	2	BOLT, Hex Flg, 1/4"-20 x 1", Serr,
37	231-5144	2	NUT, Flg, USR, 1/4"-20,
38	292407A2	1	SUPPORT, Unloader Tubes
39	409-7416	2	BOLT, Hex Flg, 1/4"-20 x 1", Serr,
40	231-5144	2	NUT, Flg, USR, 1/4"-20,
41	427-10225	2	PIN, CLEVIS, 5/8" x 1 1/4",

2388 CASE IH AXIAL-FLOW COMBINE (RU) ASN HAJ0300001 (10/06-)

08-32 HYDRAULICS - UNLOADER TUBE SWING CYLINDER

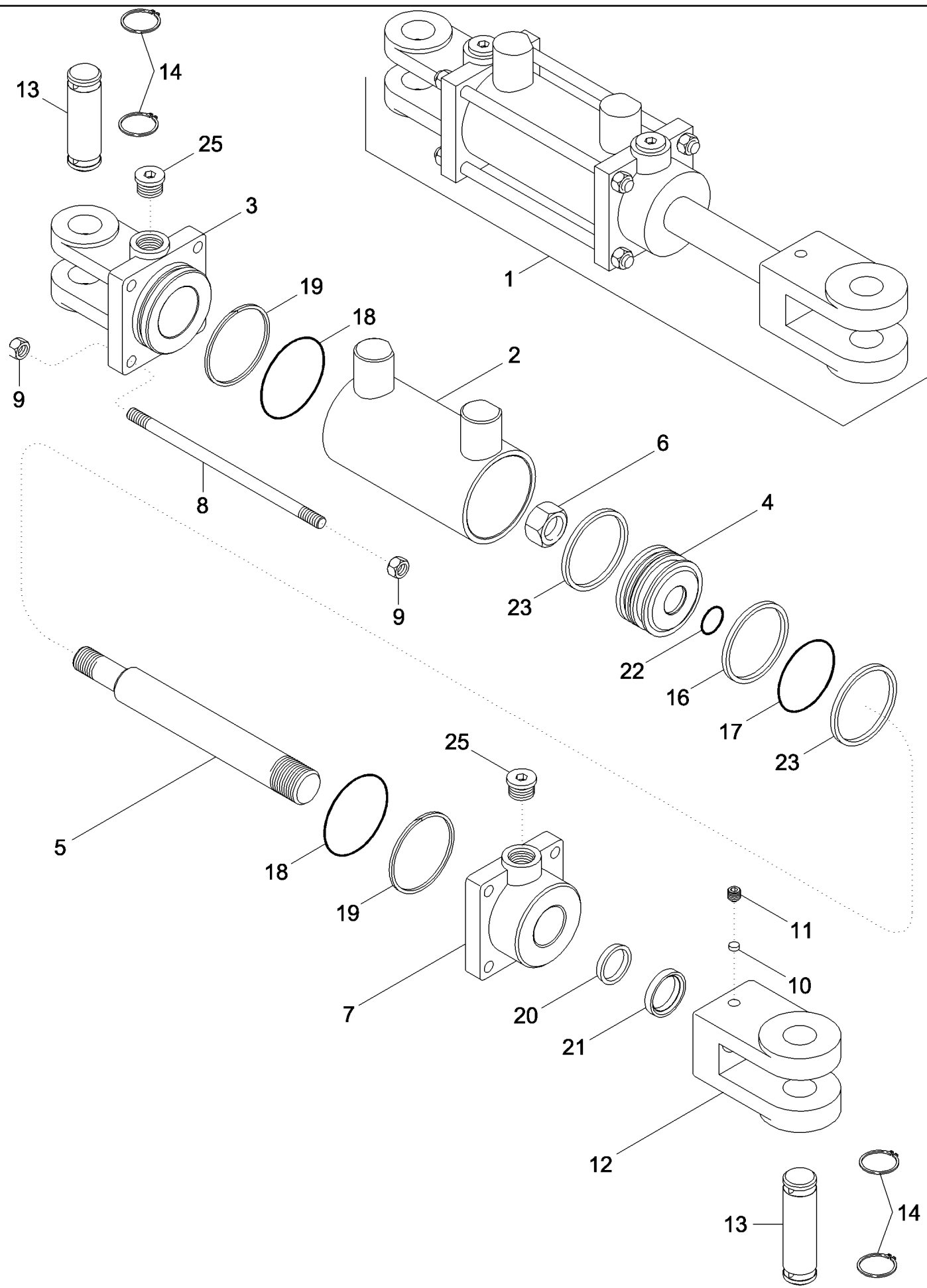
Ref	Part Number	Qty	Description
42	432-816	2	PIN, SPLIT (COTTER), 1/8" x 1",



08-33 HYDRAULICS - FIELD TRACKER

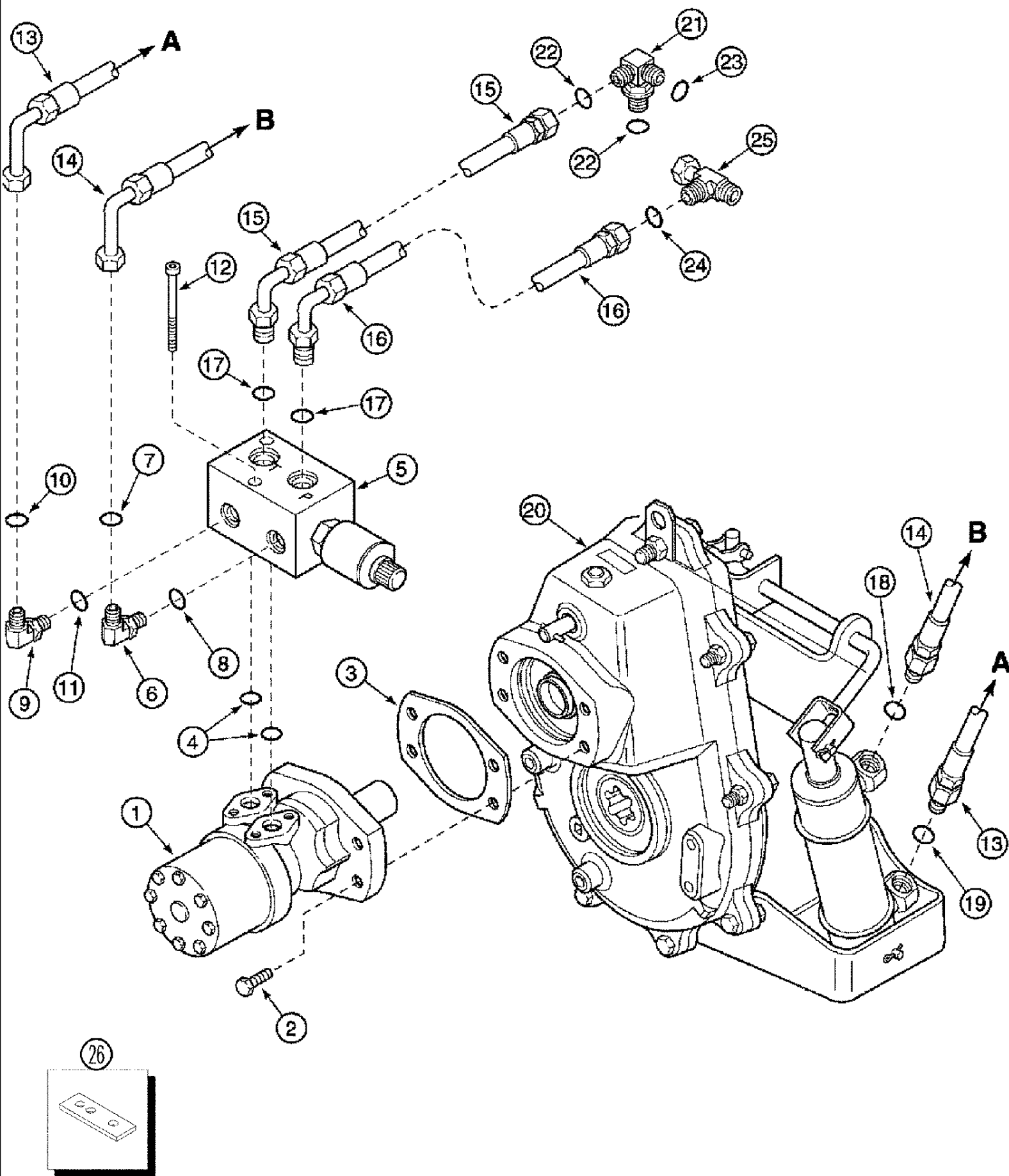
Ref	Part Number	Qty	Description
1	114854A1	1	VALVE, CONTROL, Field Tracker, See Figure 08-15
2	201-332	1	ELBOW, 90e, 13/16"-16 x 9/16"-18, Adj, ORFS, Inc. 3, 4
3	237-6006	1	O-RING, 6-1, 90 Duro, .468" ID x .078" Thk,
4	238-6014	1	O-RING, -014, 90 Duro, .489" ID x .070" Thk,
5	201-304	1	ELBOW, 90e, 11/16"-16 x 9/16"-18 Adj, ORFS, Inc. 6, 7
6	237-6006	1	O-RING, 6-1, 90 Duro, .468" ID x .078" Thk,
7	238-6012	1	O-RING, -012, 90 Duro, .364" ID x .070" Thk,
8	100268A1	1	HOSE, FLEXIBLE, 3510 mm (138-1/4 in), Field Tracker Cylinder, Clockwise Rotation, Inc 10
9	128032A1	1	HOSE, FLEXIBLE, 3510 mm (138-1/4 in), Field Tracker Cylinder, Counterclockwise Rotation, Inc 10
10	237-6006	1	O-RING, 6-1, 90 Duro, .468" ID x .078" Thk,
11	87424022	1	CYLINDER, Field Tracker Tilt, 64 ID x 89 mm strk, See Figure 08-34
12	1330242C1	1	CLAMP,
13	411-572	2	BOLT, CARRIAGE, Short NK, 5/16"-18 x 4 1/2", G2,
14	492-11031	2	WASHER, LOCK, 5/16",
15	425-105	2	NUT, 5/16"-18, G5,
16	515-23254	1	CLAMP, 1", Insul, 3/8" Bolt,
17	477-73816	1	SCREW, Slted Serr Truss Hd, 3/8" x 1",
18	231-5146	1	NUT, Flg, USR, 3/8"-16,
19	189926A1	1	SUPPORT,
20	201-905	1	CAP, 13/16"-16 ORFS, To Cap Field Tracker Fitting on Valve Stack (Not Shown)
21	201-900	1	CAP, 11/16"-16 ORFS, To Cap Field Tracker Fitting on Valve Stack (Not Shown)

08-34 CYLINDER ASSY - FIELD TRACKER, TILT



08-34 CYLINDER ASSY - FIELD TRACKER, TILT

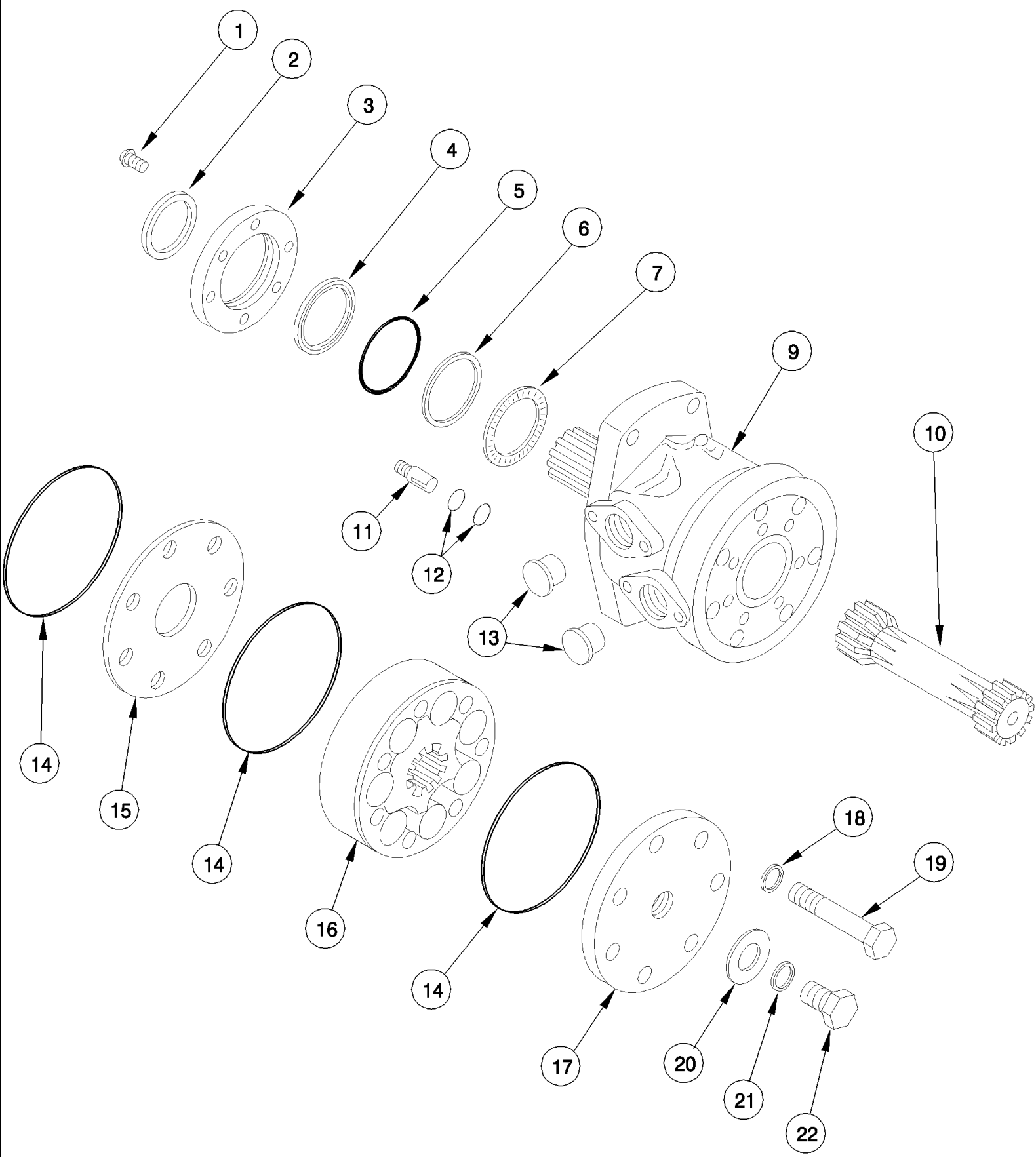
Ref	Part Number	Qty	Description
1	87424022	1	CYLINDER, Field Tracker Tilt, 64 ID x 89 mm strk, Inc. 2 - 23
2	NSS	1	NOT SERVICED SEPARATELY, Tube
3	NSS	1	NOT SERVICED SEPARATELY, Jack Head
4	NSS	1	NOT SERVICED SEPARATELY, Jack Piston
5	NSS	1	NOT SERVICED SEPARATELY, Rod, Piston
6	232-46112	1	NUT, LOCK, 3/4"-16, GC,
7	NSS	1	NOT SERVICED SEPARATELY, Jack Head
8	NSS	4	NOT SERVICED SEPARATELY, Screw
9	425-106	8	NUT, 3/8"-16, G5,
10	145453C1	1	PLUG, Pad
11	483-1386	1	SET SCREW, Hex Soc, 3/8"-16 x 3/8",
12	NSS	1	NOT SERVICED SEPARATELY, Ram Fork, Clevis Rod
13	87358017	2	PIN, Cylinder
14	87019495	4	RING, SNAP, #98, Ext,
16	NSS	1	NOT SERVICED SEPARATELY, Seal
17	NSS	1	NOT SERVICED SEPARATELY, O-Ring
18	NSS	2	NOT SERVICED SEPARATELY, O-Ring
19	NSS	2	NOT SERVICED SEPARATELY, Ring
20	NSS	1	NOT SERVICED SEPARATELY, Seal
21	NSS	1	NOT SERVICED SEPARATELY, Seal
22	NSS	1	NOT SERVICED SEPARATELY, O-Ring
23	NSS	2	NOT SERVICED SEPARATELY, Ring
25	71100209	2	PLUG, Hex Soc, 3/4"-16 ORB,
	87424023	1	KIT, SEALS, Inc. 16 - 23



08-35 HYDRAULICS - FEEDER REVERSER

Ref	Part Number	Qty	Description
1	393903A1	1	MOTOR, HYDRAULIC, , See Figure 08-36
2	87302570	4	SCREW, 12 Pt Flg, 1/2"-20 x 1 1/4",
3	400998A1	1	GASKET,
4	277634	2	O-RING, -117, 90 Duro, .799" ID x .103" Thk,
5	393904A1	1	VALVE, Feeder Reverser Motor, See Figure 08-37
6	201-304	1	ELBOW, 90e, 11/16"-16 x 9/16"-18 Adj, ORFS, Inc. 7, 8
7	238-6012	1	O-RING, -012, 90 Duro, .364" ID x .070" Thk,
8	238-6006	1	O-RING, 6-1, .114" ID x .070" Thk,
9	201-332	1	ELBOW, 90e, 13/16"-16 x 9/16"-18, Adj, ORFS, Inc. 10, 11
10	238-6014	1	O-RING, -014, 90 Duro, .489" ID x .070" Thk,
11	237-6006	1	O-RING, 6-1, 90 Duro, .468" ID x .078" Thk,
12	865-8085	2	SCREW, Hex Soc Hd, M8 x 85, 8.8,
13	391969A1	1	HOSE, FLEXIBLE, 750 mm (29-1/2 in), Extend
14	391970A1	1	HOSE, FLEXIBLE, 610 mm (24 in), Retract
15	395853A2	1	HOSE, FLEXIBLE, 520 mm (20-1/2 in), Return
16	430394A1	1	HOSE, FLEXIBLE, 3050 mm (120 in), Supply
17	237-6010	2	O-RING, 10-1, 90 Duro, .755" ID x .097" Thk,
18	237-6006	1	O-RING, 6-1, 90 Duro, .468" ID x .078" Thk,
19	237-6006	1	O-RING, 6-1, 90 Duro, .468" ID x .078" Thk,
20	401134A2	1	GEARBOX, , See Figure 09A-21
21	395408A1	1	TEE, Inc. 22, 23
22	237-6010	1	O-RING, 10-1, 90 Duro, .755" ID x .097" Thk,
23	238-6016	2	O-RING, -016, 90 Duro, .614" ID x .070" Thk,
24	238-6016	1	O-RING, -016, 90 Duro, .614" ID x .070" Thk,
25	201-433	1	TEE, 1"-14 ORFS x 1"-14 Sw Run,
26	427273A1	1	SUPPORT, Bracket, Clamp
27	409-7616	1	BOLT, Hex Flg, 3/8"-16 x 1", Serr, (Not Shown)
28	231-5146	1	NUT, Flg, USR, 3/8"-16, (Not Shown)

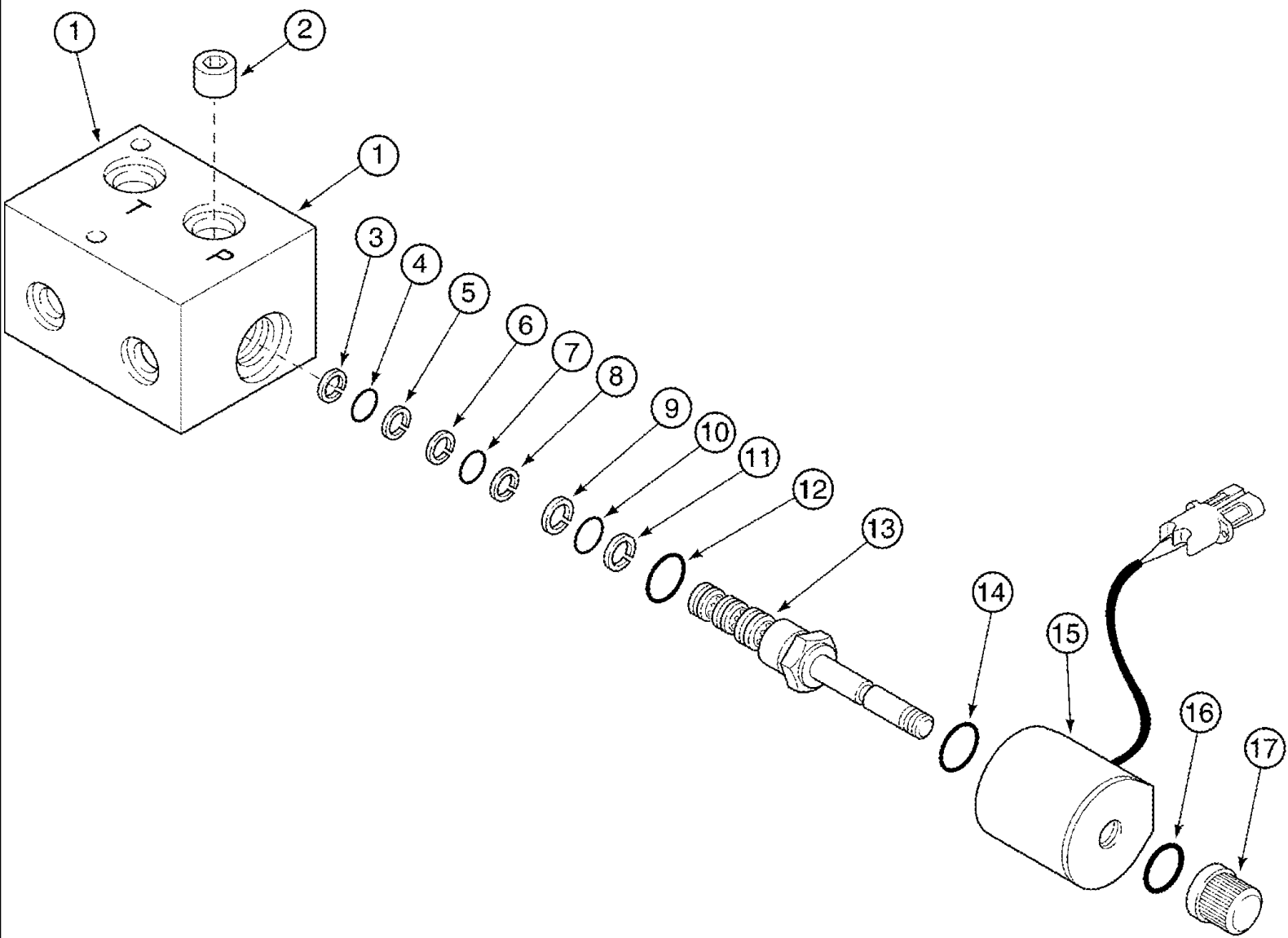
08-36 FEEDER REVERSER MOTOR - HYDRAULIC



08-36 FEEDER REVERSER MOTOR - HYDRAULIC

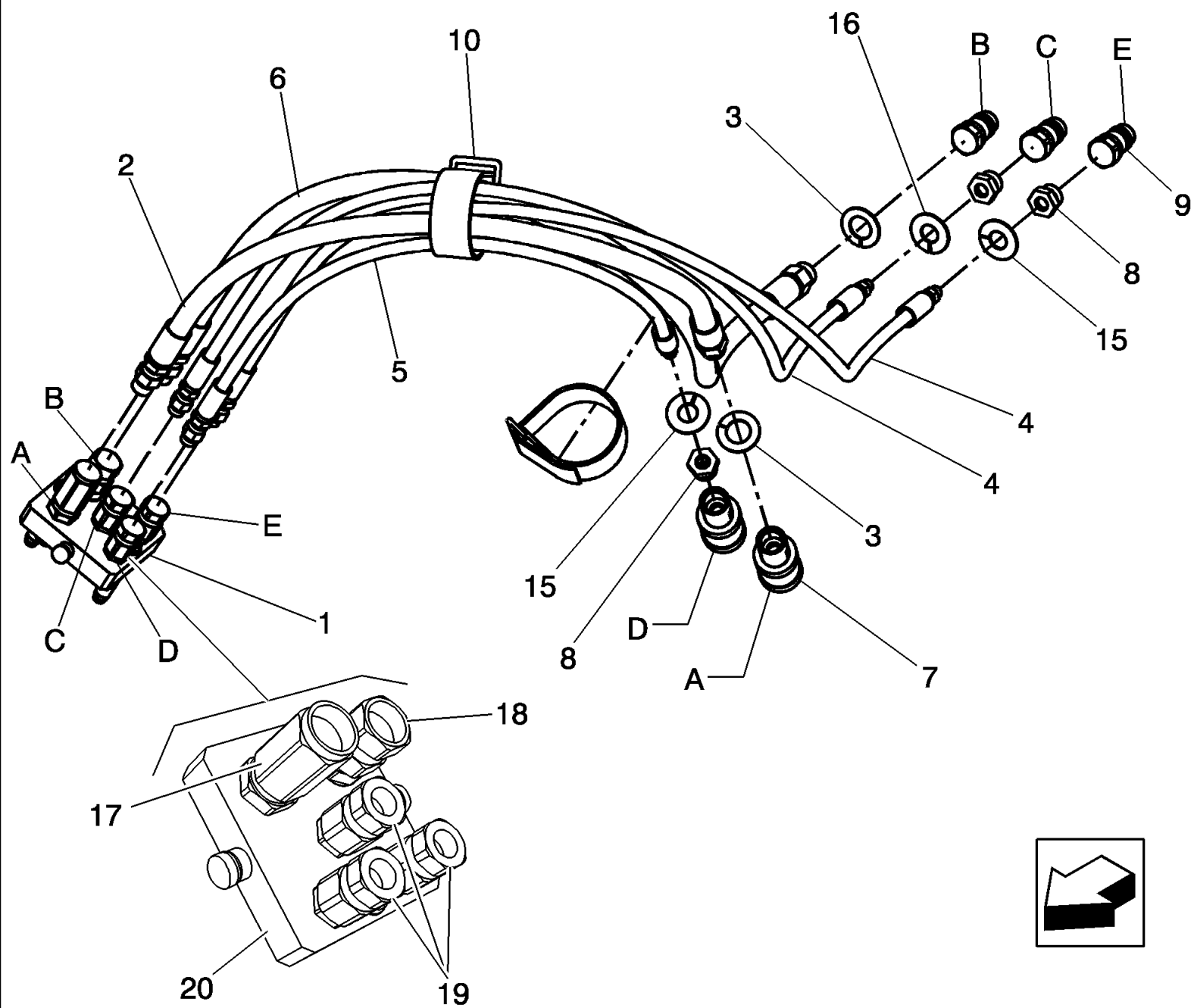
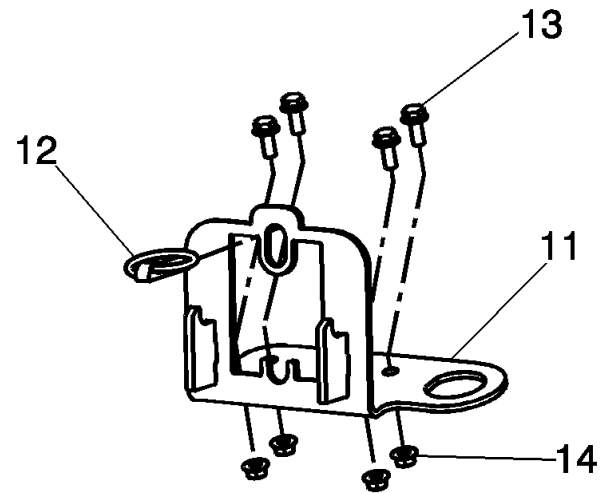
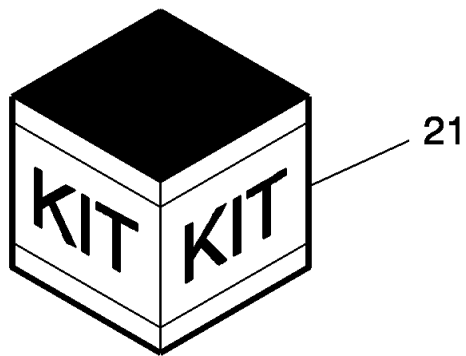
Ref	Part Number	Qty	Description
	393903A1	1	MOTOR, HYDRAULIC, Inc. 1 - 22
1	NSS	6	NOT SERVICED SEPARATELY, Bolt
2	NSS	1	NOT SERVICED SEPARATELY, Seal
3	NSS	1	NOT SERVICED SEPARATELY, Flange
4	NSS	1	NOT SERVICED SEPARATELY, Seal
5	NSS	1	NOT SERVICED SEPARATELY, O-Ring
6	NSS	1	NOT SERVICED SEPARATELY, Race
7	NSS	1	NOT SERVICED SEPARATELY, Bearing, Needle
9	NSS	1	NOT SERVICED SEPARATELY, Body
10	NSS	1	NOT SERVICED SEPARATELY, Shaft
11	NSS	1	NOT SERVICED SEPARATELY, Pin
12	NSS	2	NOT SERVICED SEPARATELY, O-Ring
13	NSS	2	NOT SERVICED SEPARATELY, Plug
14	NSS	3	NOT SERVICED SEPARATELY, O-Ring
15	NSS	1	NOT SERVICED SEPARATELY, Plate
16	NSS	1	NOT SERVICED SEPARATELY, Gerotor
17	NSS	1	NOT SERVICED SEPARATELY, Cap
18	NSS	7	NOT SERVICED SEPARATELY, Washer
19	NSS	7	NOT SERVICED SEPARATELY, Bolt
20	NSS	1	NOT SERVICED SEPARATELY, Washer
21	NSS	1	NOT SERVICED SEPARATELY, Washer
22	NSS	1	NOT SERVICED SEPARATELY, Bolt
	397924A1	1	KIT, SEALS, Kit for 393903A1

08-37 VALVE ASSY - FEEDER REVERSER



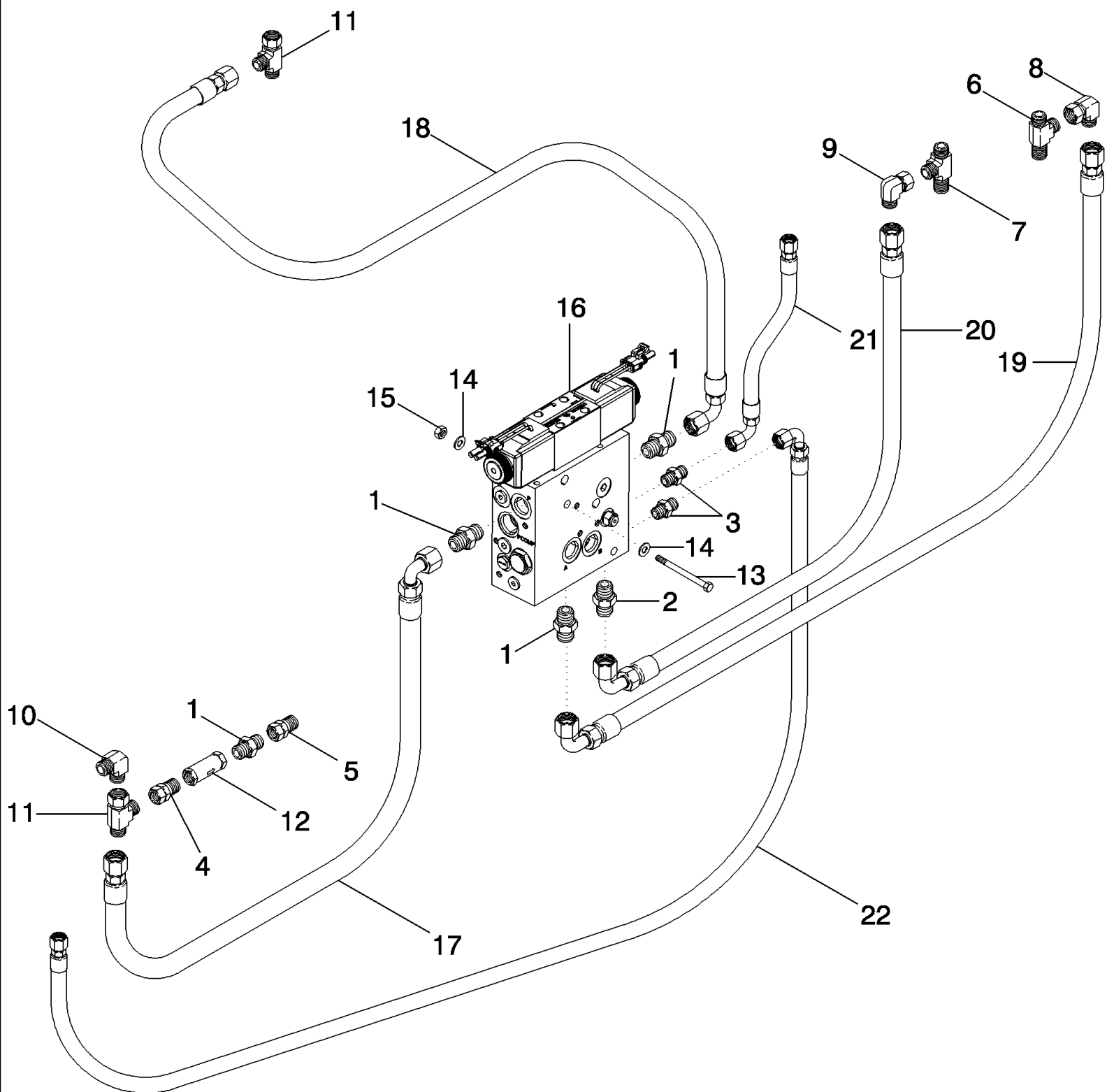
08-37 VALVE ASSY - FEEDER REVERSER

Ref	Part Number	Qty	Description
	393904A1	1	VALVE, Feeder Reverser Motor, Inc. 1 - 17
1	NSS	1	NOT SERVICED SEPARATELY, Body, Valve
2	397923A1	1	ORIFICE,
	397921A1	1	VALVE, Inc. 3 - 13
	397925A1	1	KIT, SEALS, Inc. 3 - 11
3	NSS	1	NOT SERVICED SEPARATELY, Ring, Backup
4	NSS	1	NOT SERVICED SEPARATELY, O-Ring
5	NSS	1	NOT SERVICED SEPARATELY, Ring, Backup
6	NSS	1	NOT SERVICED SEPARATELY, Ring, Backup
7	NSS	1	NOT SERVICED SEPARATELY, O-Ring
8	NSS	1	NOT SERVICED SEPARATELY, Ring, Backup
9	NSS	1	NOT SERVICED SEPARATELY, Ring, Backup
10	NSS	1	NOT SERVICED SEPARATELY, O-Ring
11	NSS	1	NOT SERVICED SEPARATELY, Ring, Backup
12	237-6012	1	O-RING, 12-1, 90 Duro, .924 ID x .118" Thk,
13	NSS	1	NOT SERVICED SEPARATELY, Valve, Solenoid
	405378A1	1	COIL, Inc. 14 -17
14	238-6120	1	O-RING, -120, 90 Duro, .987" ID x .103" Thk,
15	NSS	1	NOT SERVICED SEPARATELY, Coil
16	238-6212	1	O-RING, -212, 90 Duro, .859" ID x .139" Thk,
17	397926A1	1	NUT,
18	9625178	1	PLUG, Hex Soc, 9/16"-18 ORB, (Not Shown)

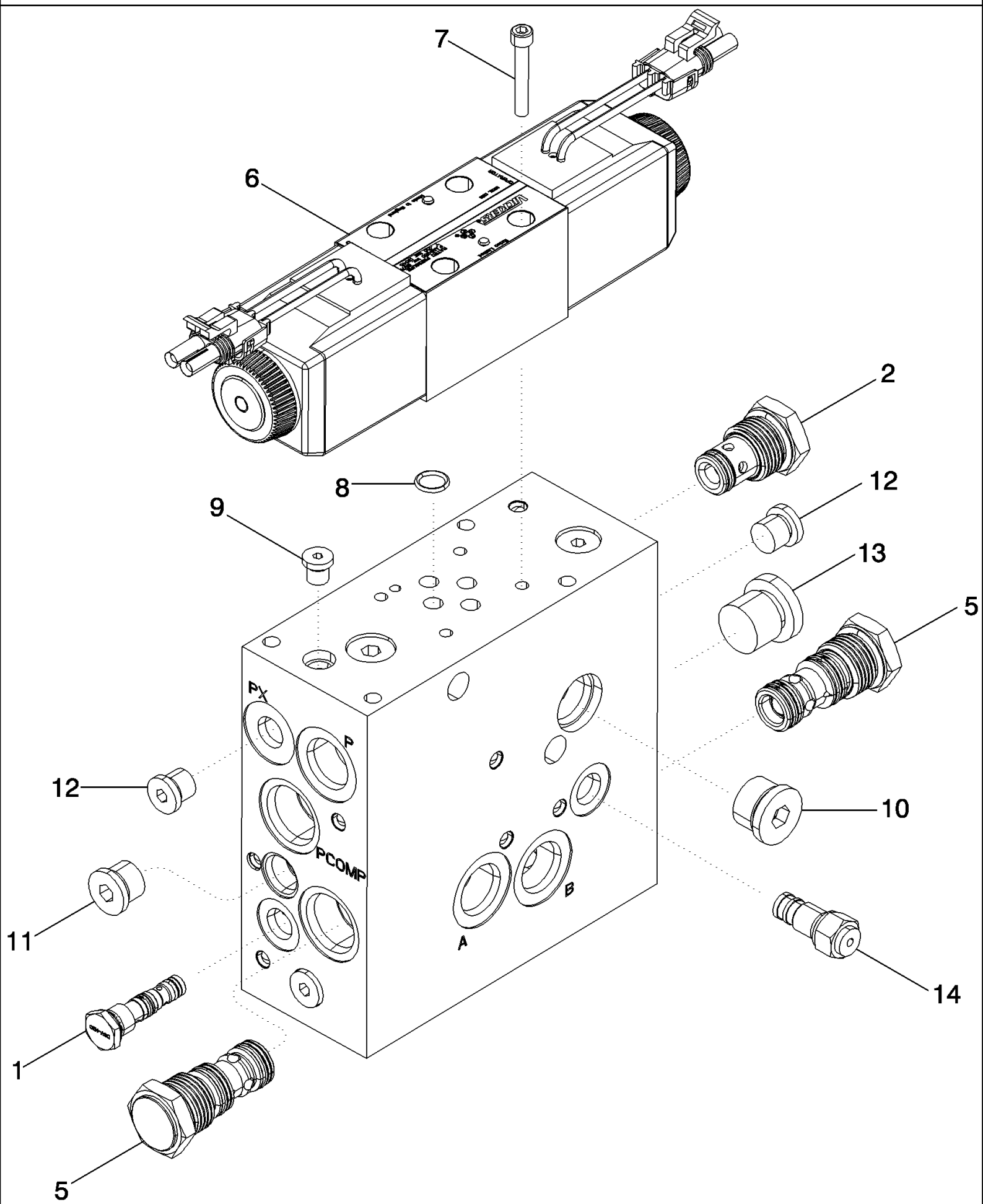


08-38 COMBINE HEADER ADAPTER, HOSES AND COUPLINGS

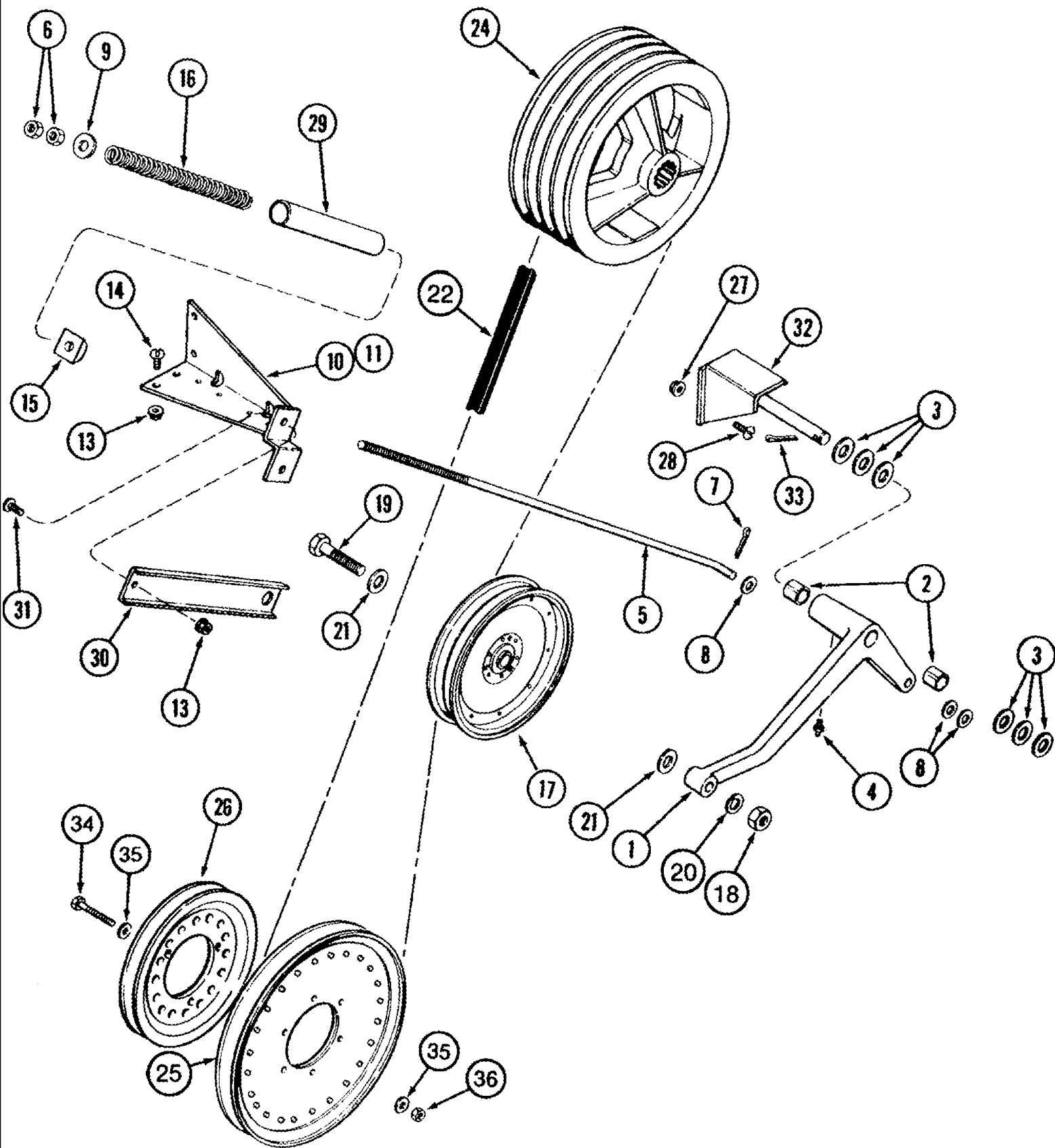
Ref	Part Number	Qty	Description
	87340862	1	KIT, REPAIR, Hydraulic and Electrical Interface, Inc. 1 - 16. Also See Figure 04-46
1	84435010	1	COUPLING, QUICK, MALE, Inc. 17 - 21
2	87301376	1	HOSE, FLEXIBLE, Reel Drive Supply, A Connection
3	1345266C1	2	WASHER, Plastic, White
4	87301378	2	HOSE, FLEXIBLE, Reel Lift [C] and Aft [E]
5	87301380	1	HOSE, FLEXIBLE, Reel Fore, D Connection
6	87301377	1	HOSE, FLEXIBLE, Reel Drive Return, B Connection
7	1282338C91	2	COUPLING, QUICK, FEMALE, Female
8	196443A1	3	REDUCER, Reducer, -10 ORB x -4 ORB
9	1272399C2	3	COUPLING, QUICK, MALE, Male
10	87108048	2	STRAP, SECURING, Cinching
11	87301385	1	BRACKET, Header Coupling
12	378704A1	1	PIN, LOCK, Klik
13	409-7512	4	BOLT, Hex Flg, 5/16"-18 x 3/4", Serr,
14	231-5145	4	NUT, Flg, USR, 5/16"-18,
15	1541792C1	2	WASHER, LOCK, Plastic, Red
16	1541804C1	1	WASHER, Plastic, Black
17	84435502	1	CONNECTOR, HYD.,
18	84435503	1	CONNECTOR, HYD.,
19	84435504	3	CONNECTOR, HYD.,
20	NSS	1	NOT SERVICED SEPARATELY, BODY, Quick Coupler
21	86623900	1	KIT, REPAIR, For 1
21	86623898	1	SEAL, For 17, 18
21	86623899	1	SEAL, For 19



Ref	Part Number	Qty	Description
1	201-102	4	CONNECTOR, HYD., 13/16"-16 ORFS x 3/4"-16 ORB,
2	201-106	1	CONNECTOR, HYD., 11/16"-16 ORFS x 3/4"-16 ORB,
3	201-100	2	CONNECTOR, HYD., 9/16"-18 ORFS x 7/16"-20 ORB,
4	86974819	1	FITTING,
5	201-138	1	REDUCER, 11/16"-18 Male x 13/16"-16 Fem, ORFS,
6	201-423	1	TEE, 9/16"-18, Blkhd, Run, ORFS,
7	701-449	1	TEE, 11/16"-16 ORFS, Blkd Run,
8	201-320	1	ELBOW, 90e, 13/16"-16 x 13/16"-16 Fem Sw ORFS,
9	201-319	1	ELBOW, 90e, 11/16"-16 x 1/16"-16 Fem Sw ORFS,
10	201-305	1	ELBOW, 90e, 13/16"-18 x 3/4"-18 Adj, ORFS,
11	86624132	2	TEE, 13/16"-16 ORFS x 13/16"-16 Sw Run,
12	87590181	1	SWITCH, Flow
13	88959	2	BOLT, Hex, 3/8"-16 x 3 1/2", G5,
14	80702	4	WASHER, 3/8",
15	86625064	2	NUT, LOCK,
16	87590231	1	VALVE, , See Figure 08-40
17	87573782	1	HOSE ASSY., Pressure
18	87573783	1	HOSE ASSY., Tank
19	87573784	1	HOSE ASSY., A Left
20	87573785	1	HOSE ASSY., B Right
21	87573786	1	HOSE ASSY., LS1
22	87573787	1	HOSE ASSY., LS2



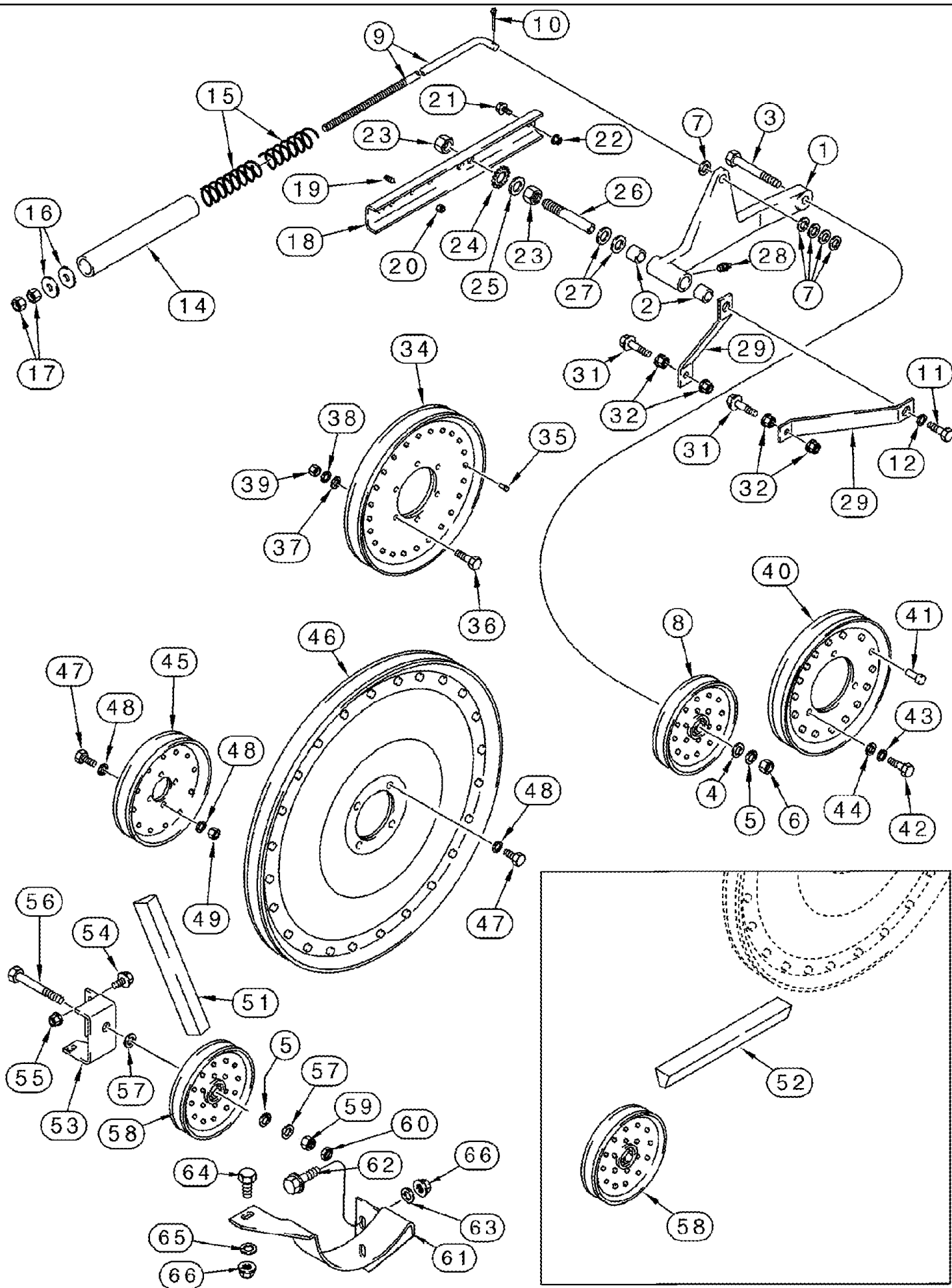
Ref	Part Number	Qty	Description
	87590231	1	VALVE, Inc. 1 - 12
1	87591593	1	VALVE,
2	87591594	1	VALVE,
3	86625138	1	PLUG, Hex Soc, 7/8"-14 ORB,
4	190704A1	1	VALVE, CHECK,
5	87591596	2	VALVE,
6	87591597	1	VALVE,
7	281060	4	SCREW, Hex Soc Hd, #10-24 x 1 1/4",
8	238-6012	4	O-RING, -012, 90 Duro, .364" ID x .070" Thk,
9	86632547	1	PLUG, Hex Soc, 5/16"-24 ORB,
10	86590562	1	PLUG, Hex Soc, 3/4"-16 ORB,
11	9625178	1	PLUG, Hex Soc, 9/16"-18 ORB,
12	278548	2	PLUG, Hex Soc, 7/16"-20 ORB,
13	87590351	1	VALVE, Pilot to Shift Cartridge (Not Shown)
	126056A1	1	KIT, (Not Shown)
	87590352	1	PLUG, Duel Steer Cylinders (Not Shown)
	87741567	1	VALVE, Single Steer Cylinder (Not Shown)
	87609274	1	KIT, SEALS, (Not Shown)
	87591595	1	KIT, SEALS, (Not Shown)
	149942C1	1	KIT, SEALS, (Not Shown)
	190707A1	1	KIT, SEALS, (Not Shown)
	87024936	1	KIT, SEALS, (Not Shown)



09A-01 BELT DRIVE - JACKSHAFT, FAN

Ref	Part Number	Qty	Description
1	194179C92	1	ARM, Inc. 2
2	556448R1	2	BUSHING,
3	495-11081	6	WASHER, 3/4", SAE,
4	219-8	1	NIPPLE, LUBE, 1/4"-28 NPT x .54" lg,
5	174520C2	1	ROD,
6	425-108	2	NUT, 1/2"-13, G5,
7	432-1220	1	PIN, SPLIT (COTTER), 3/16" x 1 1/4",
8	495-11053	3	WASHER, 1/2", SAE,
9	495-81162	1	WASHER, 17/32" x 1 1/2" x .179",
10	188485C2	1	SUPPORT, Inc. 11
11	191777C2	1	SUPPORT, (Not Shown)
13	231-5146	3	NUT, Flg, USR, 3/8"-16,
14	477-73812	2	SCREW, Sltd Serr Truss Hd, 3/8" x 3/4",
15	194652C1	1	PIVOT,
16	155311C1	1	SPRING,
17	663887R91	1	PULLEY, 8 OD, Fan Jackshaft Idler
18	425-1410	1	NUT, Jam, 5/8"-11, G5,
19	413-1048	1	BOLT, Hex, 5/8"-11 x 3", G5,
20	492-11062	1	WASHER, LOCK, 5/8",
21	495-11066	2	WASHER, 5/8", SAE,
22	317904A1	1	BELT, Fan Jackshaft
24	193999C3	1	PULLEY, 12 in OD, Feeder
25	295918A1	1	PULLEY, 13 in OD, Fan Jackshaft
26	193948C1	1	PULLEY, 9-3/4 in OD, Cleaning Unit
27	231-5146	2	NUT, Flg, USR, 3/8"-16,
28	477-73816	2	SCREW, Sltd Serr Truss Hd, 3/8" x 1",
29	185396C1	1	TUBE,
30	188486C1	1	CHANNEL,
31	477-73812	1	SCREW, Sltd Serr Truss Hd, 3/8" x 3/4",
32	192277C2	1	SUPPORT,
33	432-1620	1	PIN, SPLIT (COTTER), 1/4" x 1 1/4",
34	426-824	3	BOLT, Hex, 1/2"-13 x 1 1/2", G8, Full Thd,
35	496-21053	6	WASHER, 17/32" x 1 1/16" x .134",
36	87301492	3	NUT, Flg, USR, 1/2"-13, G8,
	303188A1	1	KIT, Cleaning System Slow Down, Inc. 317904A1 (REF 22), 295918A1 (REF 25), 1327534C92, 1302671C92, 3011346A1, 301141A1, 296022A1, 296023A1, 1862283C2, See Figure(s) 09C-07, 09D-10, 09D-15, 09D-16

09A-02 BELT DRIVE - RIGHT-HAND SIDE



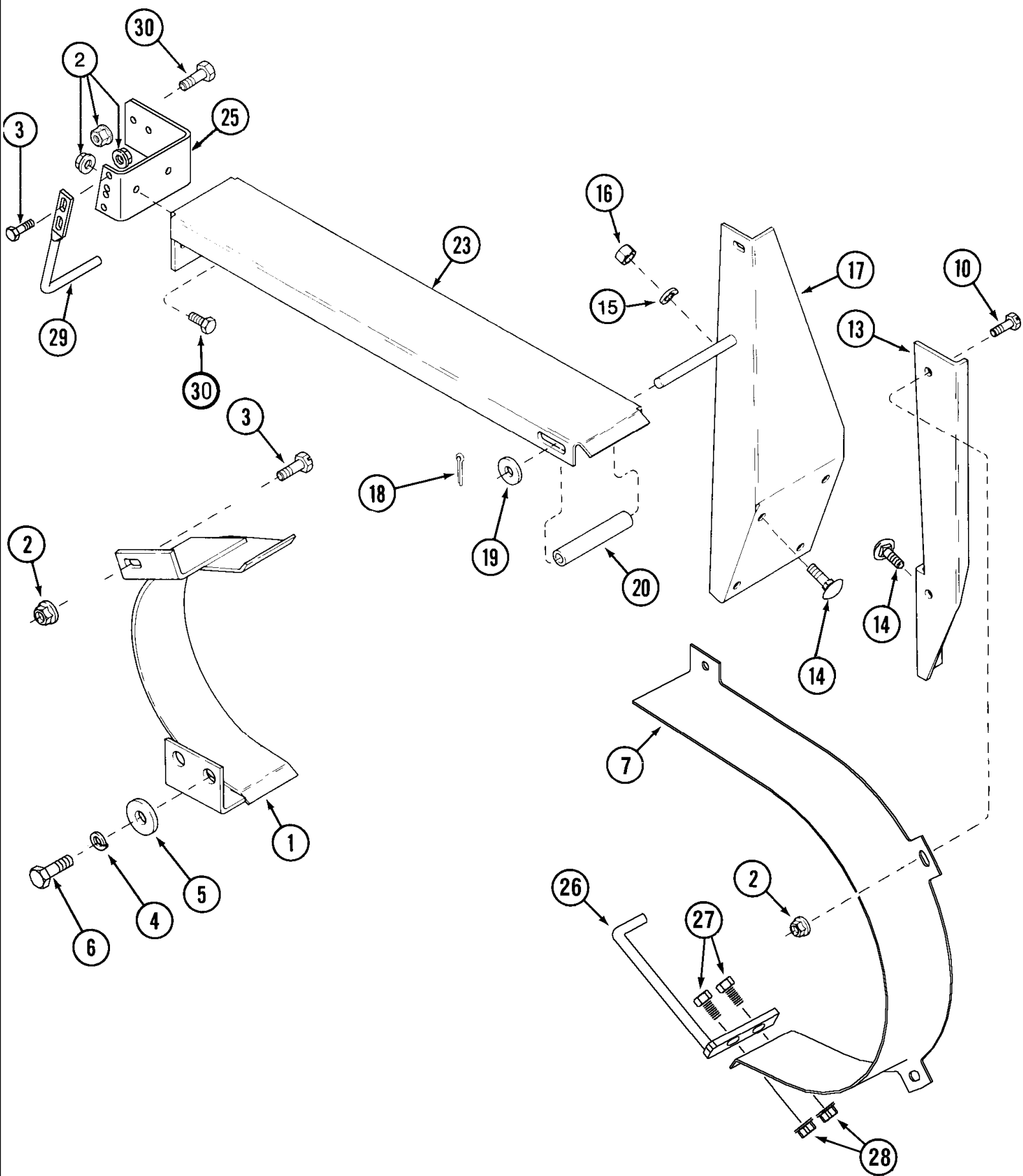
09A-02 BELT DRIVE - RIGHT-HAND SIDE

Ref	Part Number	Qty	Description
1	193447C91	1	ARM, Inc. 2
2	556448R1	2	BUSHING,
3	413-1048	1	BOLT, Hex, 5/8"-11 x 3", G5,
4	495-11066	3	WASHER, 5/8", SAE,
5	492-11062	2	WASHER, LOCK, 5/8",
6	425-1010	1	NUT, 5/8"-11, G5,
7	495-11053	4	WASHER, 1/2", SAE,
8	86996213	1	PULLEY, 186 mm (7-5/16 in), Elevator Drive
9	115160A1	1	ROD,
10	432-1216	1	PIN, SPLIT (COTTER), 3/16" x 1",
11	413-620	1	BOLT, Hex, 3/8"-16 x 1 1/4", G5, Full Thd,
12	492-11038	1	WASHER, LOCK, 3/8",
14	1994931C1	1	TUBE,
15	155311C1	1	SPRING,
16	495-81162	2	WASHER, 17/32" x 1 1/2" x .179",
17	425-108	2	NUT, 1/2"-13, G5,
18	186588C3	1	CHANNEL,
19	409-7624	1	BOLT, Hex Flg, 3/8"-16 x 1 1/2", Serr,
19	477-73820	1	SCREW, Slt'd Serr Truss Hd, 3/8"-16 x 1 1/4",
20	231-5146	2	NUT, Flg, USR, 3/8"-16,
21	409-7612	1	BOLT, Hex Flg, 3/8"-16 x 3/4", Serr,
22	231-5146	1	NUT, Flg, USR, 3/8"-16,
23	425-1012	2	NUT, 3/4"-10, G5,
24	493-41078	1	WASHER, LOCK, Ext Tooth, 3/4",
25	495-11081	1	WASHER, 3/4", SAE,
26	1327538C1	1	STUD,
27	495-11081	2	WASHER, 3/4", SAE,
28	219-87	1	NIPPLE, LUBE, 1/4"-28 x .56" lg, Self-Tap,
29	1327619C1	2	SUPPORT,
31	409-7624	1	BOLT, Hex Flg, 3/8"-16 x 1 1/2", Serr,
32	231-5146	3	NUT, Flg, USR, 3/8"-16,
34	295918A1	1	PULLEY, Cleaning Unit, Inc. 35
35	104235	24	RIVET, FH, 3/16" x 1/2",
36	413-620	3	BOLT, Hex, 3/8"-16 x 1 1/4", G5, Full Thd,
37	495-11041	3	WASHER, 3/8", SAE,
38	492-11038	3	WASHER, LOCK, 3/8",
39	231-4116	3	NUT, LOCK, 3/8"-16, GB,
40	193948C1	1	PULLEY, 9-3/4 in OD, Cleaning Unit, Inc. 41, See Figure 09C-06
41	47-49	16	RIVET, FH, 1/4" x 9/16",
42	413-620	3	BOLT, Hex, 3/8"-16 x 1 1/4", G5, Full Thd,
43	492-11038	3	WASHER, LOCK, 3/8",
44	495-81137	3	WASHER, 13/32" x 1" x .224",
45	195161C1	1	PULLEY, 8-3/8 in OD, Beater, See Figure 09C-01

09A-02 BELT DRIVE - RIGHT-HAND SIDE

Ref	Part Number	Qty	Description
46	359099A1	1	PULLEY, Shaker Shaft, See Figure 09B-21
47	413-516	8	BOLT, Hex, 5/16"-18 x 1", G5, Full Thd,
48	492-11031	12	WASHER, LOCK, 5/16",
49	425-105	4	NUT, 5/16"-18, G5,
51	186509C2	1	BELT, 255 in ov cntr, Without Straw Chopper
52	181055C1	1	BELT, 201 in ov cntr, With Straw Chopper
53	188253C3	1	SUPPORT, Fixed Idler
54	409-7616	3	BOLT, Hex Flg, 3/8"-16 x 1", Serr,
55	231-5146	3	NUT, Flg, USR, 3/8"-16,
56	413-1040	1	BOLT, Hex, 5/8"-11 x 2 1/2", G5,
57	495-11066	3	WASHER, 5/8", SAE,
58	86996213	1	PULLEY, 186 mm (7-5/16 in), Fixed Idler
59	425-1010	1	NUT, 5/8"-11, G5,
60	425-1410	1	NUT, Jam, 5/8"-11, G5,
61	1302068C2	1	GUIDE, Elevator Belt, Lower
62	409-7620	2	BOLT, Hex Flg, 3/8"-16 x 1 1/4", Serr,
63	495-81135	2	WASHER, 13/32" x 1" x .120",
64	477-73816	1	SCREW, Sltd Serr Truss Hd, 3/8" x 1",
65	495-81135	1	WASHER, 13/32" x 1" x .120",
66	231-5146	3	NUT, Flg, USR, 3/8"-16,
67	55826C1	1	BUSHING, Fits onto Rod 115160A1, (Not Shown)

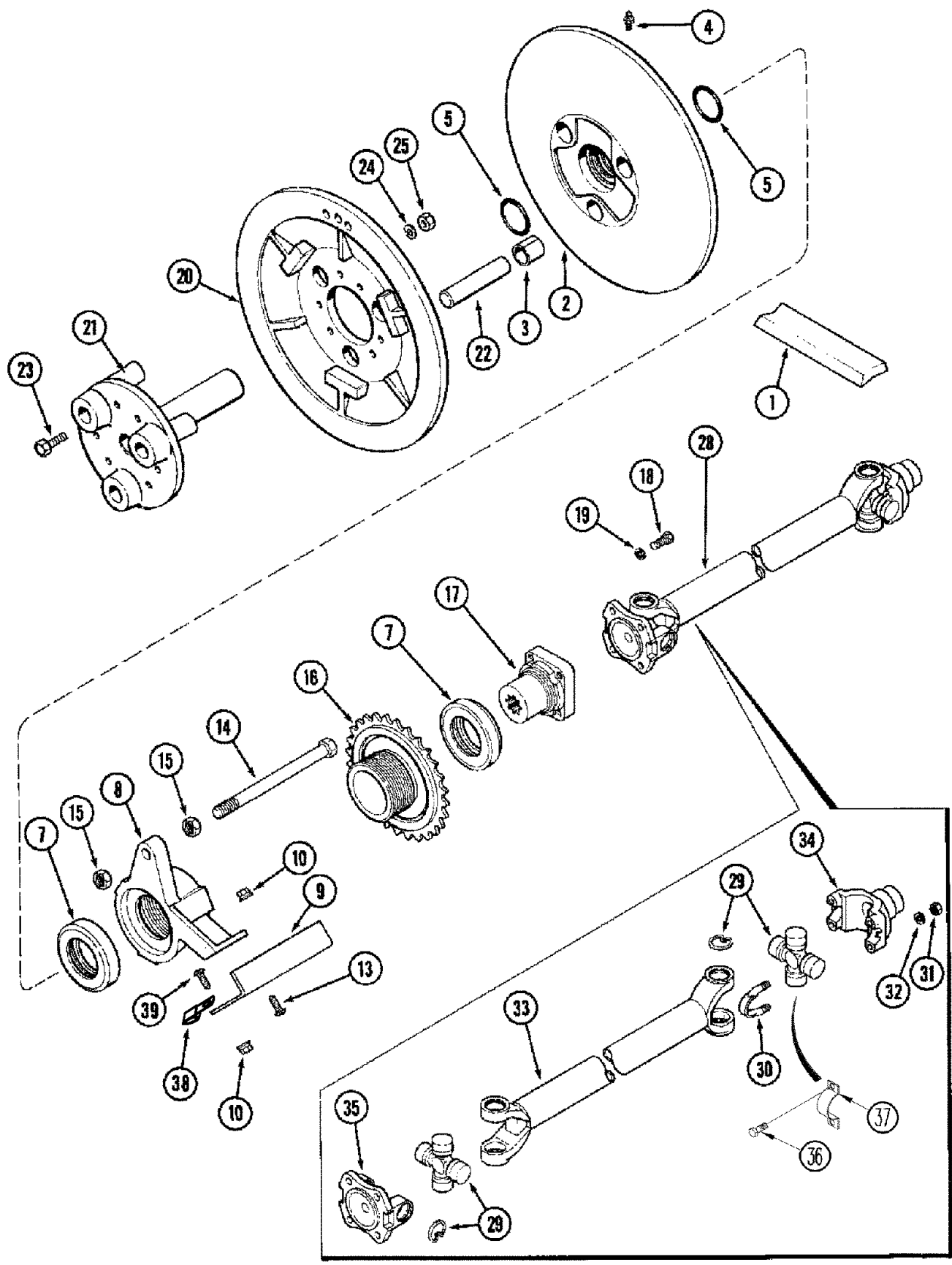
09A-03 SEPARATOR SHIELD, DRIVE



09A-03 SEPARATOR SHIELD, DRIVE

Ref	Part Number	Qty	Description
1	364357A1	1	SHIELD, Drive Pulley
2	231-5146	11	NUT, Flg, USR, 3/8"-16,
3	477-73816	3	SCREW, Sltd Serr Truss Hd, 3/8" x 1",
4	492-11038	2	WASHER, LOCK, 3/8",
5	495-81135	2	WASHER, 13/32" x 1" x .120",
6	413-616	2	BOLT, Hex, 3/8"-16 x 1", G5, Full Thd,
7	364359A2	1	SHIELD, Driven Pulley
8	131-415	2	NUT, LOCK, Push, Bolt Retainer, 3/8" x 25/32", (Not Shown)
10	413-612	4	BOLT, Hex, 3/8"-16 x 3/4", G5, Full Thd,
13	181168C1	1	SUPPORT,
14	433-820	4	BOLT, CARRIAGE, Short NK, 1/2"-13 x 1 1/4", G5,
15	80679	4	WASHER, LOCK, 1/2",
16	425-108	4	NUT, 1/2"-13, G5,
17	398584A1	1	SUPPORT,
18	432-1216	1	PIN, SPLIT (COTTER), 3/16" x 1",
19	495-11053	1	WASHER, 1/2", SAE,
20	413161A1	1	HOSE, 130 mm (5 in), Cut From 526602R2
23	394513A2	1	CHANNEL,
25	394514A2	1	BRACKET,
26	293817A1	1	GUIDE,
27	477-73112	2	BOLT, Slotted Tr Hd, 5/16"-18 x 3/4",
28	425-285	2	NUT, Flg, 5/16"-18, G5,
29	394486A2	1	GUIDE,
30	477-73812	4	SCREW, Sltd Serr Truss Hd, 3/8" x 3/4",

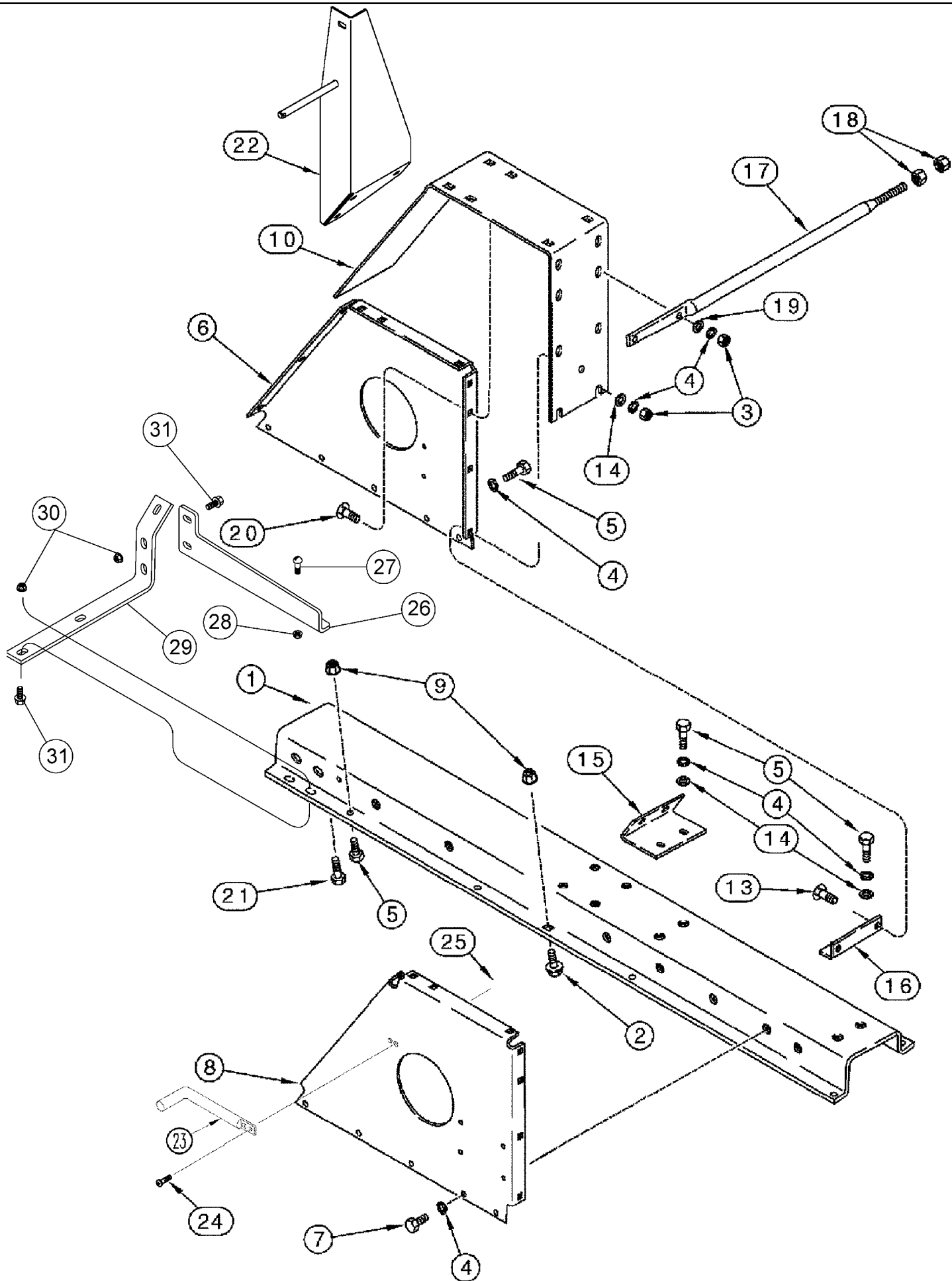
09A-04 SEPARATOR - JACKSHAFT DRIVE



09A-04 SEPARATOR - JACKSHAFT DRIVE

Ref	Part Number	Qty	Description
1	413159A2	1	BELT, Rotor Drive
2	413164A1	1	PULLEY, 20-1/2 in OD, Rotor Drive Variable, Inc. 3
3	87307839	3	BUSHING,
4	219-86	1	NIPPLE, LUBE, 1/8" x .62" lg, Drive,
5	238-5226	2	O-RING, -226, 70 Duro, 1.984" ID x .139" Thk,
7	278927A1	2	BEARING, THRUST,
8	194394C1	1	HUB,
9	249397A1	1	SUPPORT, Rotor Speed Limit Switch
10	231-5146	2	NUT, Flg, USR, 3/8"-16,
13	477-73816	2	SCREW, Slt'd Serr Truss Hd, 3/8" x 1",
14	413-12176	1	BOLT, Hex, 3/4"-10 x 11", G5,
15	425-1412	2	NUT, Jam, 3/4"-10, G5,
16	194464C2	1	SPROCKET, 25T, BSN HAJ303001
16	87678413	1	SPROCKET, 25T, ASN HAJ303001
17	411042A1	1	COUPLING, SPLINED,
18	426-720	4	BOLT, Hex, 7/16"-14 x 1 1/4", G8,
19	492-11044	4	WASHER, LOCK, 7/16",
20	87529708	1	PULLEY ASSY., 20-1/2 in OD, Rotor Drive, Stationary
21	87396631	1	HUB, Inc. 22
22	191544C2	3	PIN,
23	426-828	6	BOLT, Hex, 1/2"-13 x 1 3/4", G8,
24	492-21050	6	WASHER, LOCK, 1/2",
25	9803187	6	NUT, 1/2"-13, G8,
28	443298A1	1	SHAFT, DRIVE, Inc. 29, 33 - 37
29	383499A1	1	SPIDER, U-JOINT, Inc. (4) R13992 Snap Rings
30	1300501C1	2	U-BOLT, If Used
31	425-116	4	NUT, 3/8"-24, G5,
32	492-11038	4	WASHER, LOCK, 3/8",
33	NSS	1	NOT SERVICED SEPARATELY, Shaft
34	NSS	1	NOT SERVICED SEPARATELY, Yoke
35	S80726	1	YOKE, Flange
36	D137627	4	BOLT, 5/16
37	D137626	2	CLAMP, Bearing
38	362120R1	1	CLAMP,
39	477-73808	1	SCREW, Slt'd Serr Truss Hd, 3/8"-16 x 1/2",

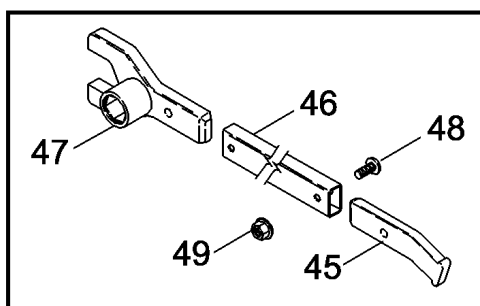
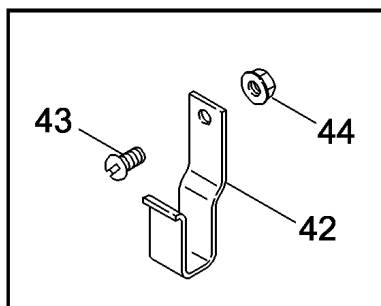
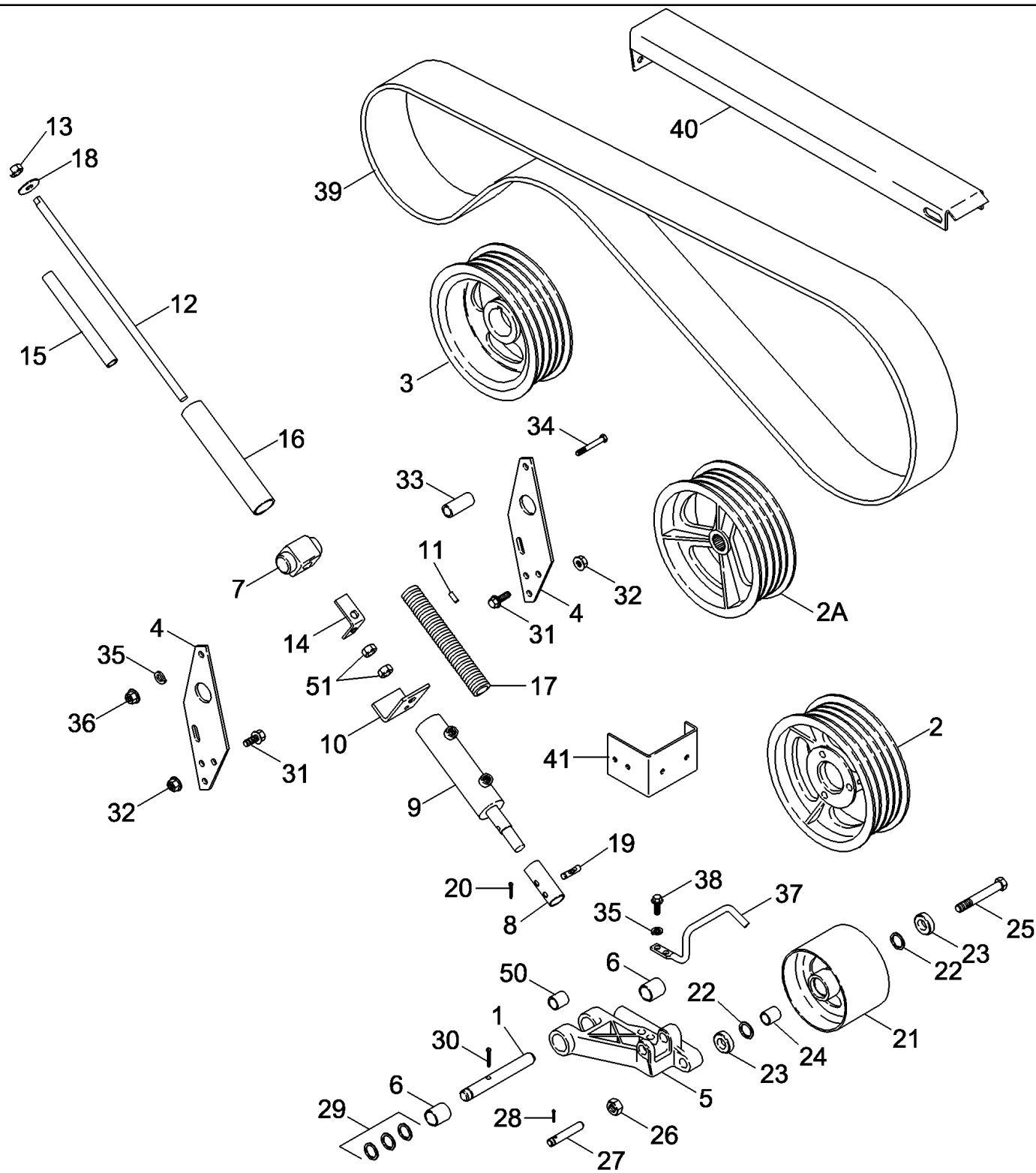
09A-05 SEPARATOR - JACKSHAFT SUPPORT



09A-05 SEPARATOR - JACKSHAFT SUPPORT

Ref	Part Number	Qty	Description
1	112454A5	1	SUPPORT, Jackshaft and Auxiliary Pump, BSN HAJ301674
1	87642895	1	SUPPORT ASSY., Jackshaft and Auxiliary Pump, ASN HAJ301674
2	409-7816	4	BOLT, Hex Flg, 1/2"-13 x 1", Serr,
3	425-108	14	NUT, 1/2"-13, G5,
4	80679	18	WASHER, LOCK, 1/2",
5	413-820	12	BOLT, Hex, 1/2"-13 x 1 1/4", G5, Full Thd,
6	181175C2	1	SUPPORT, Left-Hand
7	413-816	5	BOLT, Hex, 1/2"-13 x 1", G5, Full Thd,
8	181176C2	1	SUPPORT, Right-Hand
9	231-5148	7	NUT, Flg, USR, 1/2"-13,
10	181177C2	1	SUPPORT, Upper
13	433-820	12	BOLT, CARRIAGE, Short NK, 1/2"-13 x 1 1/4", G5,
14	495-81287	4	WASHER, 17/32" x 1 1/4" x .120",
15	181178C1	1	SUPPORT,
16	181172C1	1	SUPPORT, Rear
17	443257A1	1	ROD, THREADED, Jackshaft Support
18	425-1110	2	NUT, 5/8"-18, G5,
19	495-81287	2	WASHER, 17/32" x 1 1/4" x .120",
20	434-824	2	BOLT, CARRIAGE, Short NK, 1/2"-13 x 1 1/2", G5, Full Thd,
21	413-824	1	BOLT, Hex, 1/2"-13 x 1 1/2", G5, Full Thd,
22	398584A1	1	SUPPORT, Separator Drive Clutched
23	194901C1	1	ROD, Separator Guide
24	86508748	2	BOLT, CARRIAGE, Short NK, 3/8"-16 x 3/4", G5, Full Thd,
25	231-5146	2	NUT, Flg, USR, 3/8"-16,
26	87627887	1	BRACKET, Auxiliary Pump Front, ASN HAJ301674
27	477-73116	2	SCREW, Sltd Serr Truss Hd, 5/16"-18 x 1", , ASN HAJ301674
28	231-5146	2	NUT, Flg, USR, 3/8"-16, , ASN HAJ301674
29	87627885	1	BRACKET, Auxiliary Pump, ASN HAJ301674
30	87301492	3	NUT, Flg, USR, 1/2"-13, G8, , ASN HAJ301674
31	87302717	3	SCREW, , ASN HAJ301674

09A-06 SEPARATOR DRIVE PULLEY AND IDLER

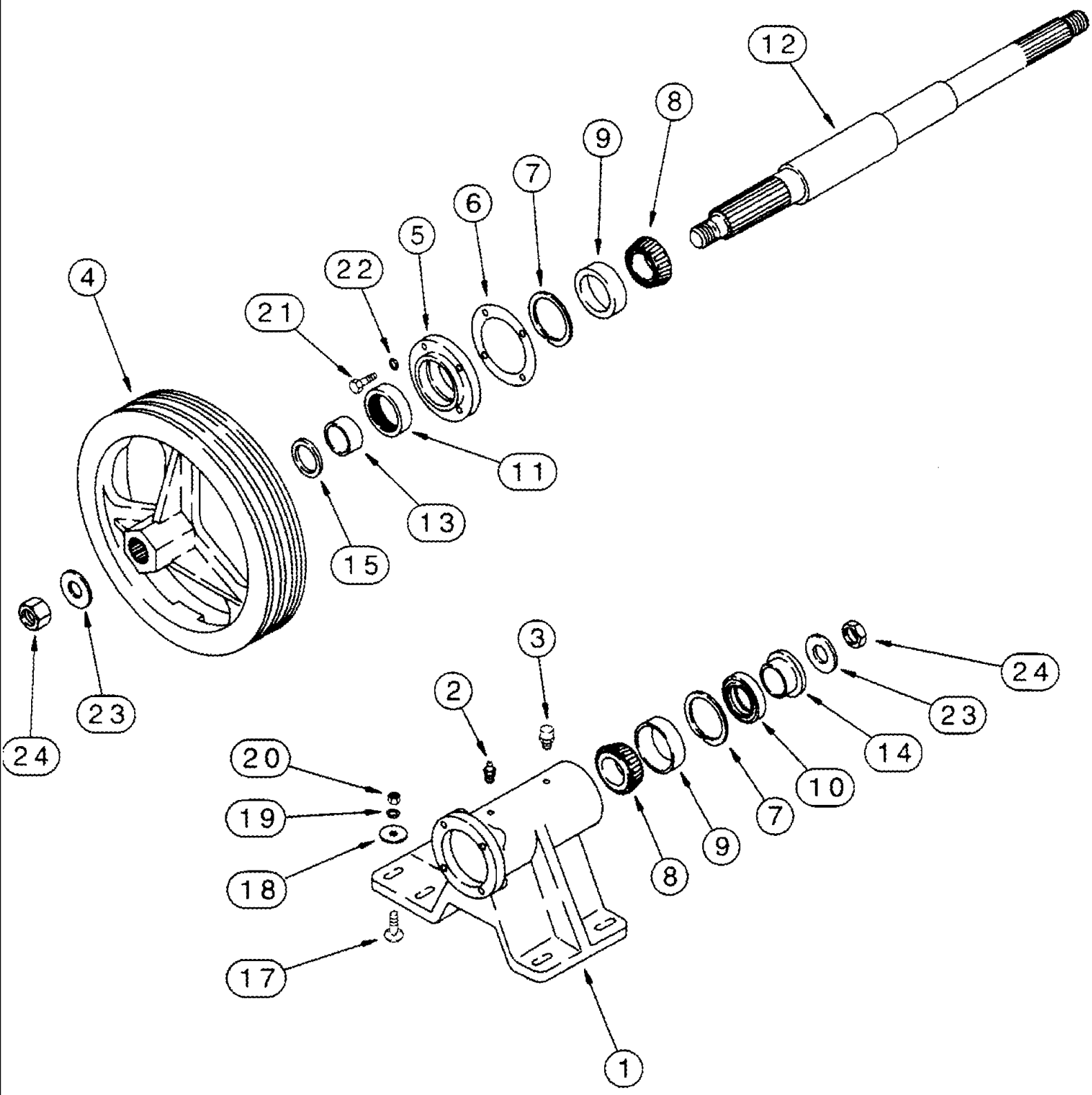


09A-06 SEPARATOR DRIVE PULLEY AND IDLER

Ref	Part Number	Qty	Description
1	362678A1	1	PIN, Pivot, IdlerArm
2	364320A2	1	PULLEY, 14-3/4 in OD, Separator, Driven
2A	371748A2	1	PULLEY, 14-3/4 in OD, Separator, Driven, Without Straw Chopper
3	364019A2	1	PULLEY, Separator Drive, Clutched Belt
3A	126-179	1	KEY, WOODRUFF, #V, 1/2" x 2 3/4", HT, (Not Shown)
4	125380A1	2	SUPPORT, Cylinder
5	398560A1	1	ARM, Idler Pulley, Inc. 6
6	391285A1	2	BUSHING,
7	186747C3	1	PIVOT, Feeder Drive Assy.
8	87522209	1	SLEEVE, Reel Speed Control
9	87356385	1	CYLINDER, Separator Clutch
10	186749C1	1	BRACKET, Bracket
11	38-11612	1	PIN, LOCK, 1/4" x 3/4", Slotted,
12	87589870	1	ROD, Tension
13	425-1010	1	NUT, 5/8"-11, G5,
14	87642389	1	ANGLE, Bracket
15	363449A2	1	TUBE,
16	87331921	1	SLEEVE, Spring
17	87337201	1	SPRING,
18	495-81030	1	WASHER, 21/32" x 2" x .179",
19	427-6178	1	PIN, CLEVIS, 3/8" x 1.781",
20	432-612	1	PIN, SPLIT (COTTER), 3/32" x 3/4",
21	87323202	1	PULLEY, Separator Idler
22	800-2147	2	RING, SNAP, M47, Int,
23	87306803	2	BEARING, BALL,
24	87301564	1	SPACER,
25	362675A1	1	BOLT,
26	129-347	1	NUT, Jam, 5/8"-11, G5, LH,
27	362679A1	1	PIN,
28	432-1232	1	PIN, SPLIT (COTTER), 3/16" x 2",
29	495-81073	3	WASHER, 1 1/32" x 1 3/4" x .060",
30	432-1224	3	PIN, SPLIT (COTTER), 3/16" x 1 1/2",
31	409-7620	6	BOLT, Hex Flg, 3/8"-16 x 1 1/4", Serr,
32	231-5146	6	NUT, Flg, USR, 3/8"-16,
33	196676C1	1	SPACER, Hub, Reel Spacer Control
34	413-656	1	BOLT, Hex, 3/8"-16 x 3 1/2", G5,
35	492-11038	1	WASHER, LOCK, 3/8", If Used
36	231-5146	1	NUT, Flg, USR, 3/8"-16,
37	371746A2	1	ROD, Separator Bolt Clutch
38	413-612	2	BOLT, Hex, 3/8"-16 x 3/4", G5, Full Thd,
39	400427A1	1	BELT,
40	394513A2	1	CHANNEL, Lower Clutch Belt
41	394514A2	1	BRACKET, Drive Pulley

09A-06 SEPARATOR DRIVE PULLEY AND IDLER

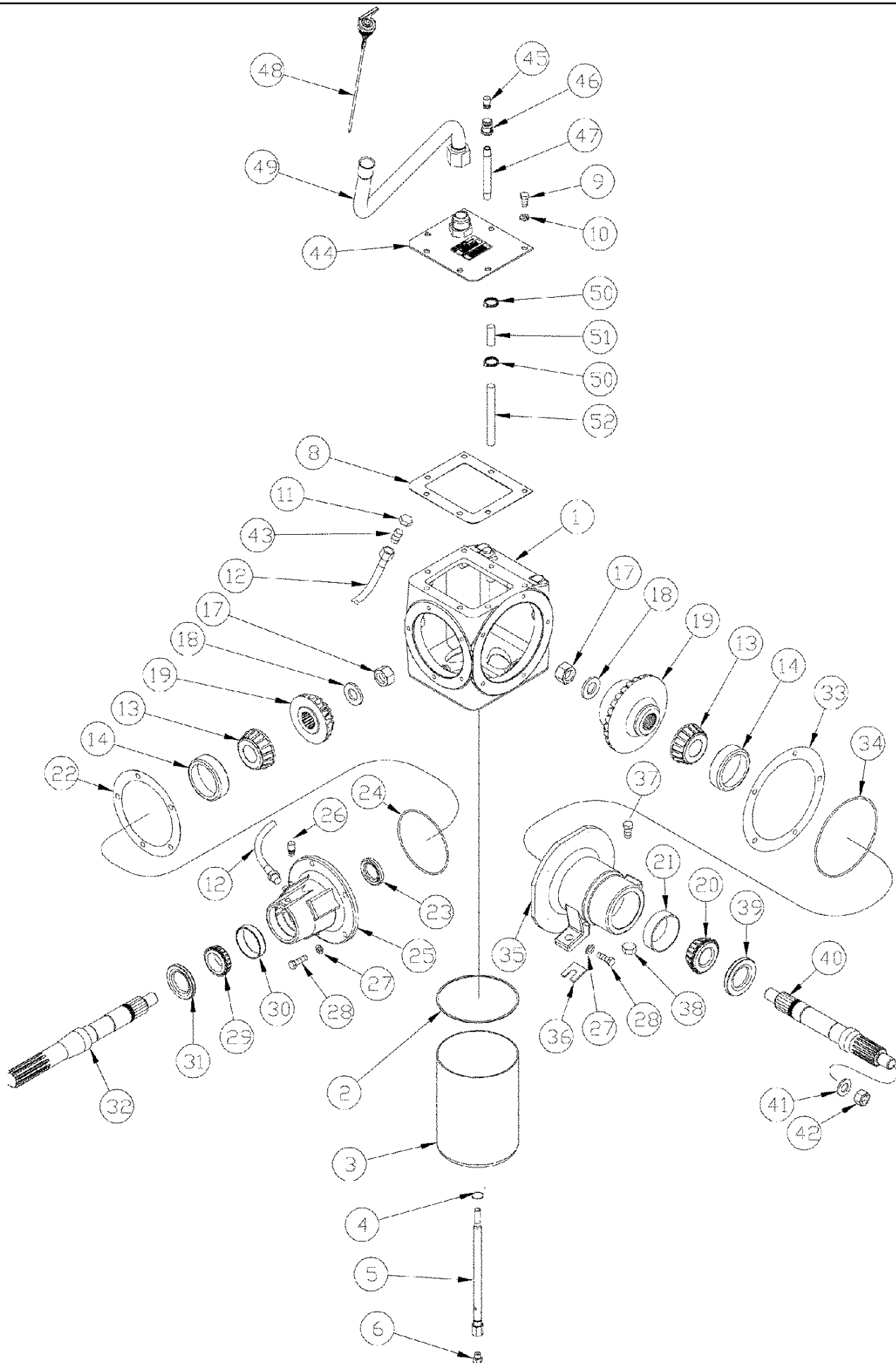
Ref	Part Number	Qty	Description
42	1979908C1	2	CLIP, Rocking Wrench
43	477-73112	2	BOLT, Slotted Tr Hd, 5/16"-18 x 3/4",
44	231-5145	2	NUT, Flg, USR, 5/16"-18,
45	1979751C2	1	BAR,
46	1979526C2	1	HANDLE,
47	1979527C1	1	WRENCH-HOOK,
48	477-73820	4	SCREW, Slt'd Serr Truss Hd, 3/8"-16 x 1 1/4",
49	231-5146	4	NUT, Flg, USR, 3/8"-16,
50	87034740	1	SPACER, 1 Pipe x 1.181",
51	425-1410	2	NUT, Jam, 5/8"-11, G5,



09A-07 JACKSHAFT BEARING BLOCK - FOR USE WITH DISCHARGE BEATER

Ref	Part Number	Qty	Description
1	181369C1	1	HOUSING,
2	219-1	1	NIPPLE, LUBE, 1/8"-27 x .66 lg,
3	219-434	1	BREATHER, 1/8"-27 NPT, Short, w/washer,
4	371748A2	1	PULLEY, 15-5/32 in OD, Driven
5	189419C1	1	HUB,
6	156229C1	5	SHIM, 0.005 in
6	188183C1	2	SHIM, 0.007 in
6	188184C1	2	SHIM, 0.010 in
7	378691R1	2	RING,
	61803C91	2	BEARING, ROLLER, TAPERED, Inc. 8, 9
8	61802C91	1	BEARING, CONE, 1-15/32 ID
9	61801C1	1	BEARING, CUP, 2-31/64 OD
10	188931C1	1	SEAL, Front
11	384386R91	1	SEAL, Rear
12	411044A1	1	SHAFT,
13	191518C2	1	SPACER,
14	188930C1	1	RING,
15	162678C1	5	WASHER, 1-1/2 x 2 x 1/16
17	433-828	6	BOLT, CARRIAGE, Short NK, 1/2"-13 x 1 3/4", G5,
18	496-41053	6	WASHER, 17/32" x 1 1/4" x 3/16",
19	80679	6	WASHER, LOCK, 1/2",
20	425-108	6	NUT, 1/2"-13, G5,
21	426-516	4	BOLT, Hex, 5/16"-18 x 1", G8, Full Thd,
22	492-11031	4	WASHER, LOCK, 5/16",
23	496-21106	2	WASHER, 1 1/16" x 2" x .209",
24	231-42116	2	NUT, LOCK, 1"-8, GB,

09A-08 FEEDER - HOUSING, DRIVE AND FAN GEAR



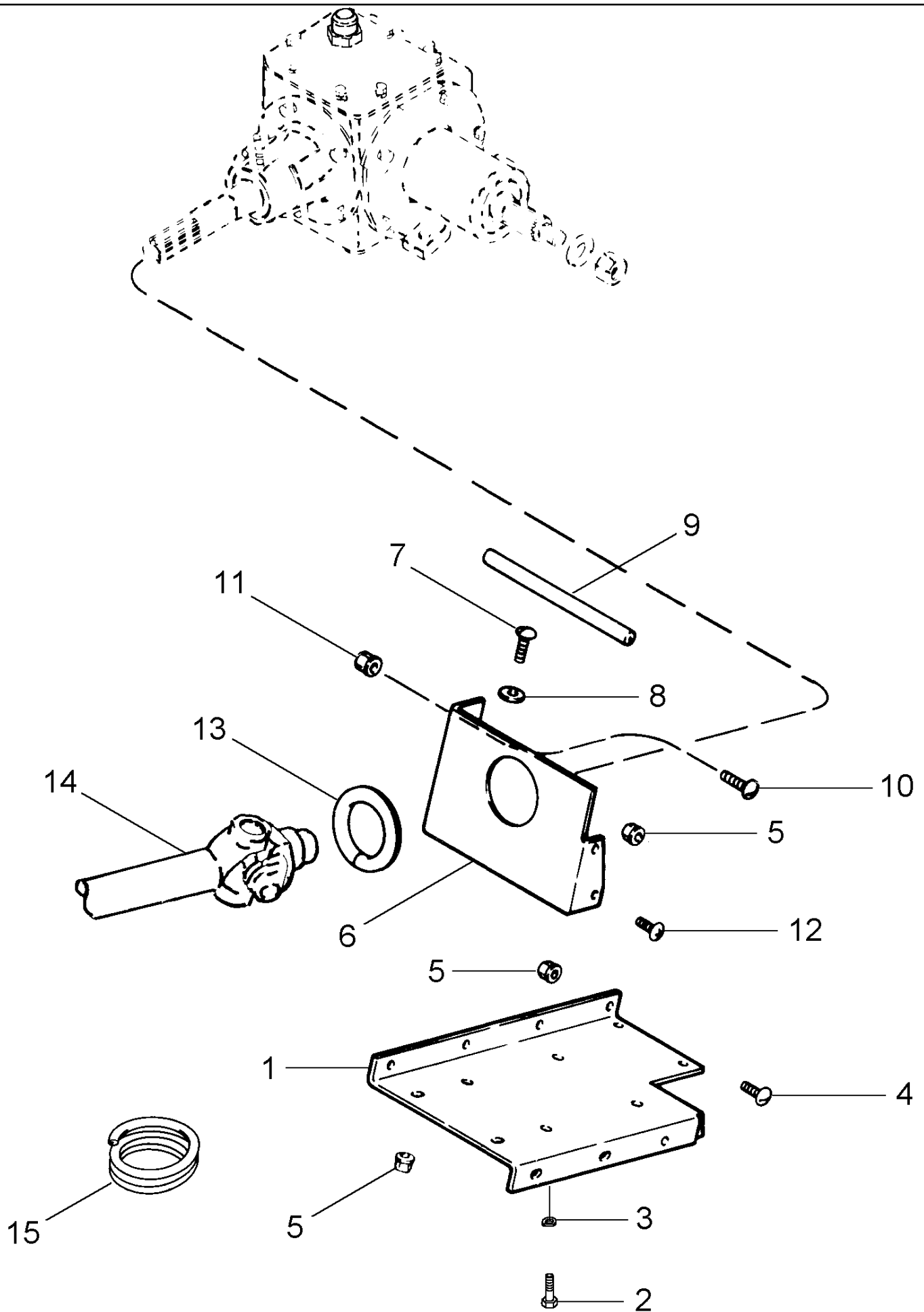
09A-08 FEEDER - HOUSING, DRIVE AND FAN GEAR

Ref	Part Number	Qty	Description
	393577A2	1	GEARBOX, Forward Gearcase, Inc. 1 - 10, 13, 14, 17 - 22, 23 - 35, 39, 40, 44 - 47, 51, 52
1	397128A1	1	HOUSING,
2	405462R1	1	GASKET,
3	242234A1	1	SHELL,
4	238-5013	1	O-RING, -013, 70 Duro, .426" ID x .070" Thk,
5	398059A1	1	BOLT, SPECIAL,
6	9672438	1	PLUG, Hex Hd, 7/16"-20 ORB,
7	353-200	1	PLUG, 1/8-27 NTPF (Not Shown)
8	191397C2	1	GASKET,
9	413-612	7	BOLT, Hex, 3/8"-16 x 3/4", G5, Full Thd,
10	492-11038	7	WASHER, LOCK, 3/8",
11	F53473	1	NUT, 1/8 PT
12	1339006C1	1	HOSE, 914 mm (36 in) Grease Line
13	390952A1	2	BEARING, CONE,
14	57861H	2	BEARING, CUP,
17	185413C1	2	NUT,
18	496-21094	2	WASHER, 15/16" x 1 3/4" x .179", HDN,
19	1315597C1	1	GEAR SET, 18/31T
20	197609R91	1	BEARING, CONE, 1-3/8 ID
21	197608R1	1	BEARING, CUP, 3 in OD
	195484C2	1	KIT, SHIM, Inc. 22
22	194548C1	AR	SHIM, 0.127 mm
22	194549C1	AR	SHIM, 0.178 mm
22	194550C1	AR	SHIM, 0.508 mm
23	938294R91	1	SEAL,
24	238-5250	1	O-RING, -250, 70 Duro, 4.984" ID x .139" Thk,
25	390547A1	1	HOUSING,
26	219-434	1	BREATHER, 1/8"-27 NPT, Short, w/washer,
26A	218-758	1	CAP, 37e, 1 5/16"-12, (Not Shown)
27	492-11038	10	WASHER, LOCK, 3/8",
28	413-620	10	BOLT, Hex, 3/8"-16 x 1 1/4", G5, Full Thd,
29	618023R91	1	BEARING, CONE, 1-3/8 ID
30	618024R1	1	BEARING, CUP, 2-1/2 OD
31	192527C1	1	SEAL,
32	191396C1	1	SHAFT, Input
	195485C1	1	KIT, SHIM, Inc. 33
33	NSS	AR	NOT SERVICED SEPARATELY, Shim, 0.127 mm
33	NSS	AR	NOT SERVICED SEPARATELY, Shim, 0.178 mm
33	NSS	AR	NOT SERVICED SEPARATELY, Shim, 0.508 mm
34	238-5259	1	O-RING, -259, 70 Duro, 6.234" ID x .139" Thk,
35	390549A1	1	HOUSING,
36	935915R1	8	SHIM, 0.015 in
37	426-824	2	BOLT, Hex, 1/2"-13 x 1 1/2", G8, Full Thd,

09A-08 FEEDER - HOUSING, DRIVE AND FAN GEAR

Ref	Part Number	Qty	Description
38	231-5148	2	NUT, Flg, USR, 1/2"-13,
39	192528C1	1	SEAL,
40	191384C2	1	SHAFT, Output
41	496-21094	1	WASHER, 15/16" x 1 3/4" x .179", HDN,
42	87301257	1	NUT, LOCK, 7/8"-14, GC,
43	219-8	1	NIPPLE, LUBE, 1/4"-28 NPT x .54" lg,
44	416615A1	1	COVER,
45	219-434	1	BREATHER, 1/8"-27 NPT, Short, w/washer,
46	221-1344	1	COUPLING, 1/4 x 1/8
47	221-1142	1	PIPE, Nipple, 1/4" NPT x 4 1/2",
48	336513A1	1	DIPSTICK, Non-Vented
49	122113A1	1	TUBE,
50	214-3228	2	CLAMP, HOSE, 1.00/1.875 HD Worm, W/liner,
51	426559A1	1	HOSE,
52	426552A1	1	TUBE,

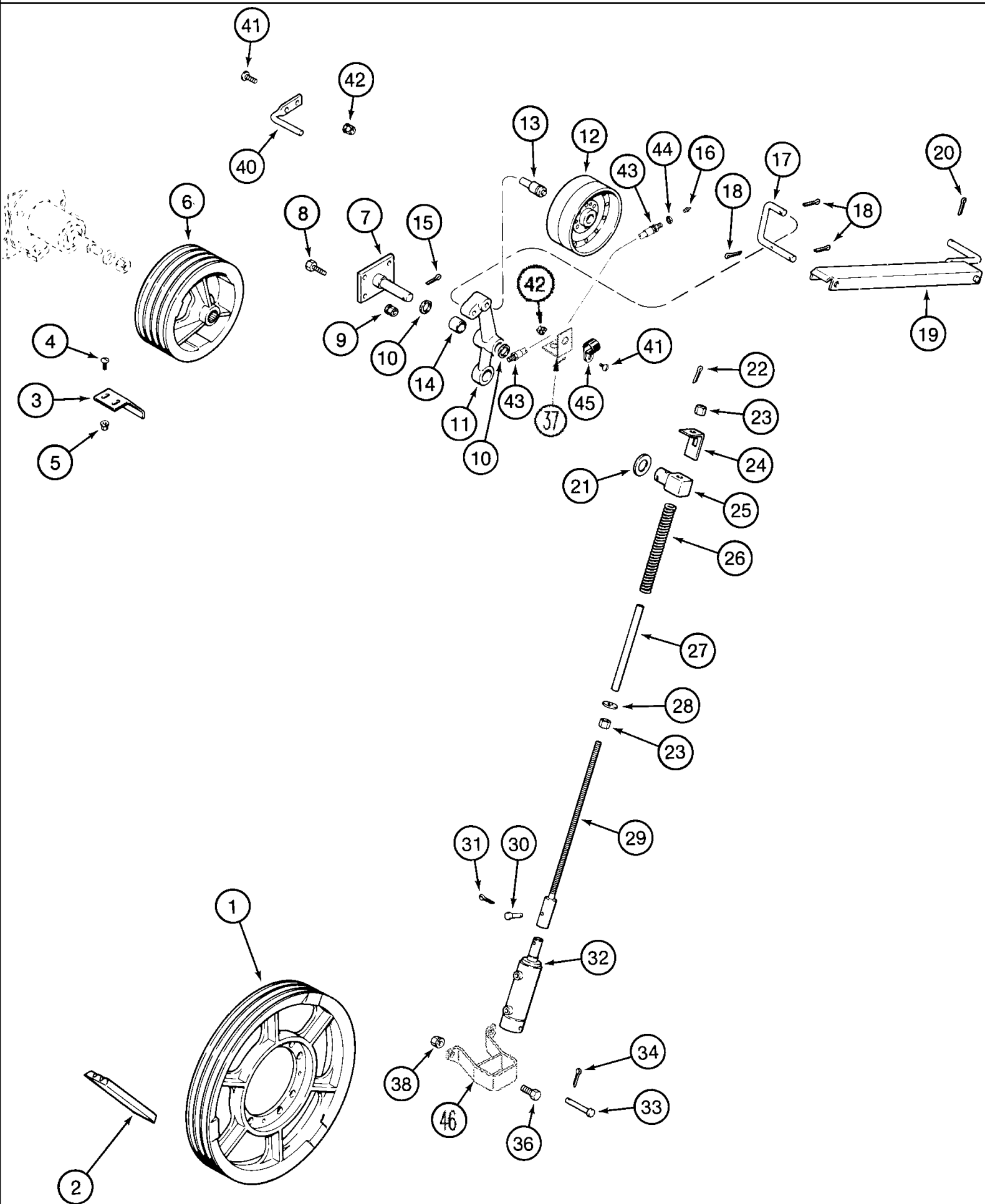
09A-09 FEEDER - MOUNTING, DRIVE AND FAN GEAR



09A-09 FEEDER - MOUNTING, DRIVE AND FAN GEAR

Ref	Part Number	Qty	Description
1	378152A1	1	SUPPORT,
2	413-816	4	BOLT, Hex, 1/2"-13 x 1", G5, Full Thd,
3	80679	4	WASHER, LOCK, 1/2",
4	477-73812	5	SCREW, Slted Serr Truss Hd, 3/8" x 3/4",
5	231-5146	7	NUT, Flg, USR, 3/8"-16,
6	191399C2	1	SUPPORT, Rear
7	477-73812	2	SCREW, Slted Serr Truss Hd, 3/8" x 3/4",
8	496-21053	4	WASHER, 17/32" x 1 1/16" x .134",
9	191497C1	1	STRIP, 270 mm (10-5/8 in)
10	477-73812	2	SCREW, Slted Serr Truss Hd, 3/8" x 3/4",
11	231-5146	7	NUT, Flg, USR, 3/8"-16,
12	477-73812	5	SCREW, Slted Serr Truss Hd, 3/8" x 3/4",
13	191496C1	1	STRIP, 300 mm (11-7/8 in)
14	443298A1	1	SHAFT, DRIVE, , See Figure 09A-04
15	191498C1	1	STRIP, 528 mm (20-13/16 in)

09A-10 FEEDER - DRIVE



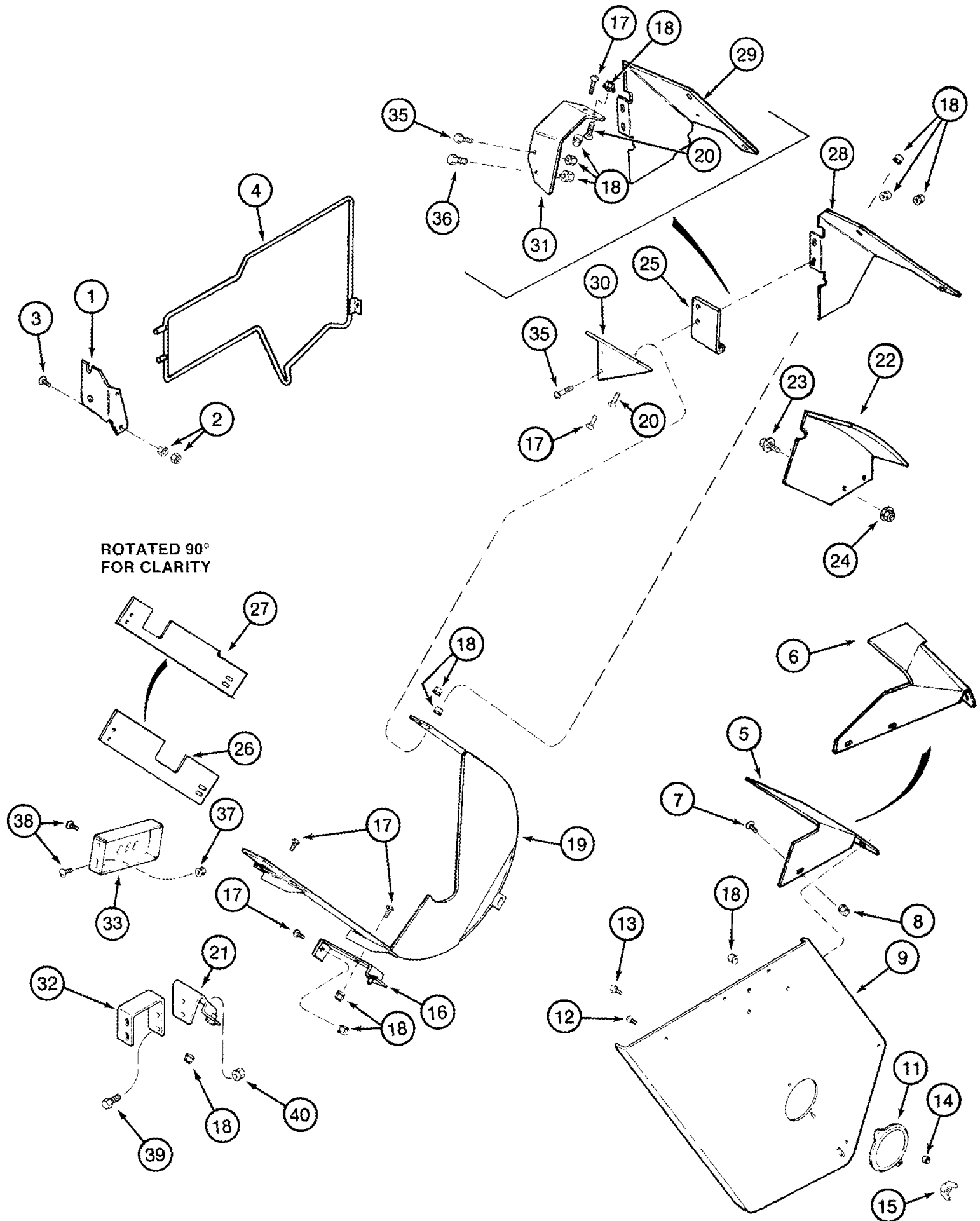
09A-10 FEEDER - DRIVE

Ref	Part Number	Qty	Description
1	396781A1	1	PULLEY, 22-9/16 OD, Driven
2	194528C2	1	BELT, 143-3/8 in ov cntr, Without Power Guide Axle
2	1315074C2	1	BELT, 158-5/8 in ov cntr, With Rock Trap
3	186513C1	1	SUPPORT,
4	477-73112	2	BOLT, Slotted Tr Hd, 5/16"-18 x 3/4",
5	231-5145	2	NUT, Flg, USR, 5/16"-18,
6	193999C3	1	PULLEY, 12 in OD, Drive
7	185414C2	1	SUPPORT,
8	477-73816	4	SCREW, Slted Serr Truss Hd, 3/8" x 1",
9	231-5146	4	NUT, Flg, USR, 3/8"-16,
10	495-81069	6	WASHER, 1 1/32" x 1 1/2" x .060",
	194494C93	1	ARM, Inc. 11 -14
11	NSS	1	NOT SERVICED SEPARATELY, Lever
12	174757C1	1	PULLEY, 8 in OD, Idler
13	86976596	1	BEARING,
14	1302308C1	2	BUSHING, 1 x 1-1/4 x 1-1/8
15	432-1624	1	PIN, SPLIT (COTTER), 1/4" x 1 1/2",
16	219-8	1	NIPPLE, LUBE, 1/4"-28 NPT x .54" lg,
17	116032A1	1	HOOK,
18	432-1216	3	PIN, SPLIT (COTTER), 3/16" x 1",
19	116029A1	1	HOLDER, , Without Power Guide Axle
19	116030A1	1	HOLDER, , With Rock Trap
20	432-1216	1	PIN, SPLIT (COTTER), 3/16" x 1",
21	495-81225	1	WASHER, 1 17/32" x 2 1/2" x .060",
22	432-1240	1	PIN, SPLIT (COTTER), 3/16" x 2 1/2",
23	425-1010	2	NUT, 5/8"-11, G5,
24	450553A2	1	CLIP, 5/8 in
25	450554A1	1	PIVOT, 5/8 in
26	450555A1	1	SPRING, 5/8 in
27	450551A1	1	SPACER, 5/8 in
28	496-41066	2	WASHER, 21/32" x 1 1/2" x .188", HDN,
29	450556A1	1	ROD, 5/8 in
30	427-6156	1	PIN, CLEVIS, 3/8" x 1 9/16",
31	432-612	1	PIN, SPLIT (COTTER), 3/32" x 3/4",
32	133405C92	1	CYLINDER, Fan Engage, 51 ID x 63 mm strk, See Figure(s) 08-30, 08-22
32A	134713A1	1	VALVE, CHECK, Check Valve
33	439-1652	1	PIN, HEADED, 3/8" x 3 1/4",
34	432-812	1	PIN, SPLIT (COTTER), 1/8" x 3/4",
36	413-816	2	BOLT, Hex, 1/2"-13 x 1", G5, Full Thd,
37	419744A1	1	BRACKET, Hose
38	231-5148	2	NUT, Flg, USR, 1/2"-13,
40	87373945	1	ROD,
41	477-73812	2-3	SCREW, Slted Serr Truss Hd, 3/8" x 3/4",

09A-10 FEEDER - DRIVE

Ref	Part Number	Qty	Description
41	477-73816	2	SCREW, Slt'd Serr Truss Hd, 3/8" x 1",
42	231-5146	3-4	NUT, Flg, USR, 3/8"-16,
43	937781R92	1	HOSE, 686 mm (27-1/8 in)
44	F53473	1	NUT, 1/8 PT
45	516-23127	1	CLAMP, J, 9/16" Insul, 3/8" Bolt,
46	417407A1	1	SUPPORT,

09A-11 FEEDER - SHIELDS, DRIVE



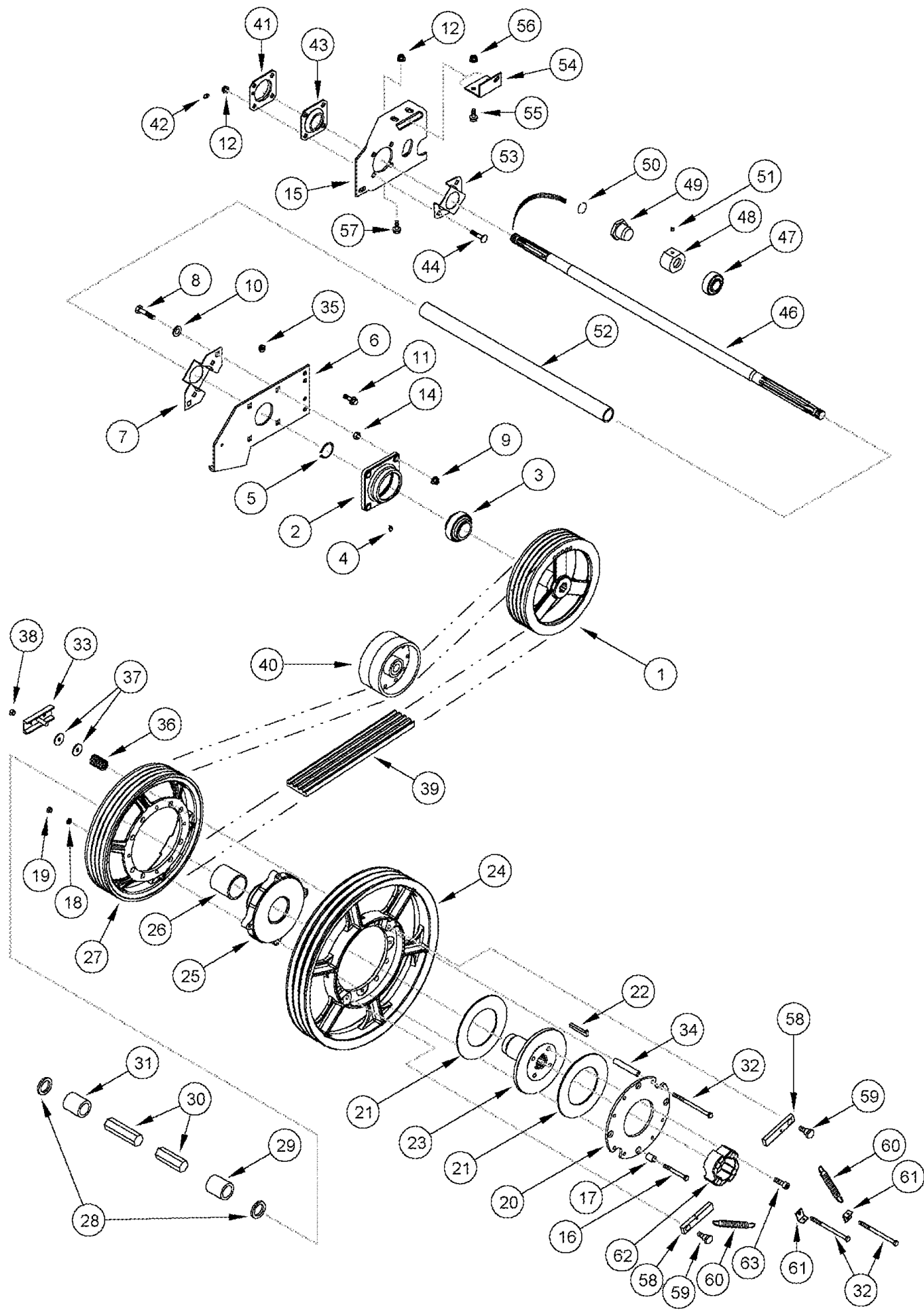
09A-11 FEEDER - SHIELDS, DRIVE

Ref	Part Number	Qty	Description
1	183740A2	1	SUPPORT,
2	231-5145	4	NUT, Flg, USR, 5/16"-18,
3	477-73116	2	SCREW, Slted Serr Truss Hd, 5/16"-18 x 1",
4	144102A2	1	GUARD,
5	175072A2	1	SHIELD, , Without Power Guide Axle
6	175073A3	1	SHIELD, , With Rock Trap
7	477-73812	1	SCREW, Slted Serr Truss Hd, 3/8" x 3/4",
8	231-5146	AR	NUT, Flg, USR, 3/8"-16,
9	194501C6	1	COVER,
11	188315C1	1	DOOR,
12	477-82508	1	SCREW, Slted Serr Truss Hd, 1/4"-20 x 1/2",
13	413-48	1	BOLT, Hex, 1/4"-20 x 1/2", G5, Full Thd,
14	231-1444	1	NUT, LOCK, 1/4"-20, GB,
15	129-409	1	NUT, WING, 1/4"-20,
16	135602A1	1	SUPPORT,
17	477-73812	AR	SCREW, Slted Serr Truss Hd, 3/8" x 3/4",
17	477-73820	AR	SCREW, Slted Serr Truss Hd, 3/8"-16 x 1 1/4",
17	477-73816	6	SCREW, Slted Serr Truss Hd, 3/8" x 1", , With Rock Trap
18	231-5146	AR	NUT, Flg, USR, 3/8"-16,
19	194499C4	1	HOUSING, , Without Power Guide Axle
19	1315088C4	1	HOUSING, , With Rock Trap
20	477-73820	1	SCREW, Slted Serr Truss Hd, 3/8"-16 x 1 1/4",
21	188288C1	1	SUPPORT,
22	175680A3	1	SHIELD,
23	409-7512	3	BOLT, Hex Flg, 5/16"-18 x 3/4", Serr,
24	231-5145	4	NUT, Flg, USR, 5/16"-18,
25	194364C2	1	HINGE, Bracket
26	133952A2	1	SHIELD, , Without Power Guide Axle
27	133950A1	1	SHIELD, , With Rock Trap
28	131155A4	1	COVER, , Without Power Guide Axle
29	131066A4	1	COVER, , With Rock Trap
30	188323C3	1	SUPPORT, , Without Power Guide Axle
31	1989333C3	1	SUPPORT, , With Rock Trap
32	1315084C2	1	SUPPORT, , With Rock Trap
33	1315083C1	1	SUPPORT, , With Rock Trap
35	409-7624	2	BOLT, Hex Flg, 3/8"-16 x 1 1/2", Serr,
36	409-7620	1	BOLT, Hex Flg, 3/8"-16 x 1 1/4", Serr,
37	231-5146	2	NUT, Flg, USR, 3/8"-16,
38	477-73812	5	SCREW, Slted Serr Truss Hd, 3/8" x 3/4", , With Rock Trap
39	413-816	2	BOLT, Hex, 1/2"-13 x 1", G5, Full Thd,
39	426-824	2	BOLT, Hex, 1/2"-13 x 1 1/2", G8, Full Thd, , With Rock Trap
40	231-5148	2	NUT, Flg, USR, 1/2"-13,
40	87301492	2	NUT, Flg, USR, 1/2"-13, G8, , With Rock Trap

09A-11 FEEDER - SHIELDS, DRIVE

Ref	Part Number	Qty	Description
41	496-21053	4	WASHER, 17/32" x 1 1/16" x .134" , , With Rock Trap

09A-12 FEEDER - JACKSHAFT DRIVE



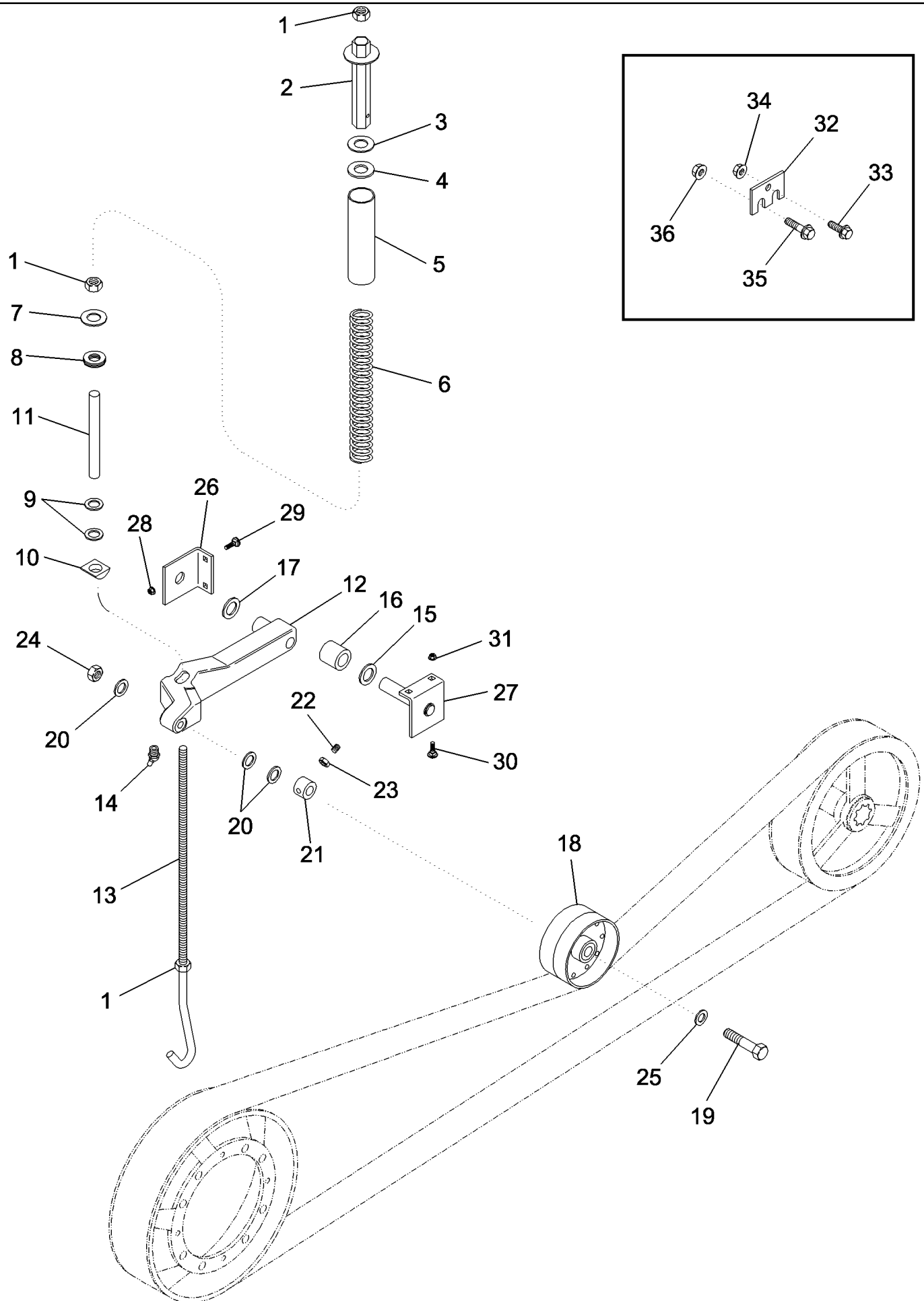
09A-12 FEEDER - JACKSHAFT DRIVE

Ref	Part Number	Qty	Description
	391085A1	1	PULLEY, Inc. 1 - 5
1	388396A1	1	PULLEY,
	241929A2	1	BEARING ASSY, Inc. 2 - 4
2	NSS	1	NOT SERVICED SEPARATELY, Housing
3	193282C91	1	BEARING, BALL,
4	219-40	1	NIPPLE, LUBE, 65c, 1/8" NPT x 7/8" lg,
5	100-11200	1	RING, SNAP, #200, Ext,
6	239239A2	1	SUPPORT, Right Hand
7	240436A2	1	SUPPORT,
8	433-1036	4	BOLT, CARRIAGE, Short NK, 5/8"-11 x 2 1/4", G5,
9	231-51410	4	NUT, Flg, USR, 5/8"-11,
10	498-81010	4	WASHER, 41/64" x 1 1/2" x .105", Sq Hole,
11	477-73112	2	BOLT, Slotted Tr Hd, 5/16"-18 x 3/4",
12	231-5148	5	NUT, Flg, USR, 1/2"-13,
14	425-1410	4	NUT, Jam, 5/8"-11, G5,
15	396133A1	1	SUPPORT, Left Hand
16	426-656	4	BOLT, Hex, 3/8"-16 x 3 1/2", G8,
17	1305375C1	4	SPACER,
18	492-11038	4	WASHER, LOCK, 3/8",
19	429-106	4	NUT, 3/8"-16, G8,
20	398550A2	1	PLATE,
21	181579C1	2	LINING,
22	Q3959	2	KEY, Gib, 3/8" Sq x 4 1/2",
23	398526A1	1	HUB,
24	396781A1	1	PULLEY, 22-9/16 OD, Driven, See Figure 09A-10
25	1305220C91	1	HUB ASSY., Inc. 26
26	610435C1	1	BUSHING,
27	388395A1	1	PULLEY, 16-11/16 OD, Drive
28	495-81093	3	WASHER, 1 25/32" x 2 1/2" x .120",
29	1305393C1	1	SPACER, 2-35/64
30	REF	1	INSTRUCTION, Shaft, Conveyor, See Figure 09A-18
31	162172C1	1	SPACER, 1-13/16 x 2-1/4 x 1-15/16
32	1315319C1	8	BOLT, 3/8 x 6; 8
33	1315316C1	2	SUPPORT, , With Rock Trap
34	1305370C3	8	SPACER,
35	231-5145	2	NUT, Flg, USR, 5/16"-18,
36	1305692C2	8-10	SPRING,
37	495-81143	8-16	WASHER, 13/32" x 1 1/2" x .120",
37	495-81135	8	WASHER, 13/32" x 1" x .120",
38	231-4116	8	NUT, LOCK, 3/8"-16, GB,
39	402368A1	1	BELT, , With 60 Inch Feeder
39	402370A1	1	BELT, , With 54-1/2 Inch Feeder
40	176579C1	1	PULLEY, 8 in OD, Drive Tightener

09A-12 FEEDER - JACKSHAFT DRIVE

Ref	Part Number	Qty	Description
41	87430517	1	FLANGE, Inc. 42
42	219-87	1	NIPPLE, LUBE, 1/4"-28 x .56" lg, Self-Tap,
43	86974037	1	FLANGE,
44	434-820	4	BOLT, CARRIAGE, Short NK, 1/2"-13 x 1 1/4", G5, Full Thd,
45	413-820	3	BOLT, Hex, 1/2"-13 x 1 1/4", G5, Full Thd,
	388777A1	1	SHAFT, Inc. 46 - 51
46	388771A1	1	SHAFT,
47	240746A1	1	BEARING, BALL,
48	253469A1	1	COLLAR,
49	253533A1	1	HUB,
50	253462A1	1	RING, SPECIAL,
51	484-1386	1	SET SCREW, Hex Soc, 3/8"-24 x 3/8",
52	240438A2	1	TUBE, Plastic
53	388770A1	1	BRACKET,
54	396135A1	1	BRACKET,
55	87301495	2	BOLT, 5/8 x 1-1/4; 8
56	87301493	2	NUT, Flg, USR, 5/8"-11, G8,
57	409-7820	1	BOLT, Hex Flg, 1/2"-13 x 1 1/4", Serr,
58	398547A2	2	PAWL, Ratchet
59	396073A1	2	BOLT, SPECIAL,
60	86989592	2	SPRING,
61	86988966	2	CLIP,
62	398098A1	1	RATCHET,
63	461-35024	4	SCREW, Hex Soc Hd, 1/2"-13 x 1 1/2",

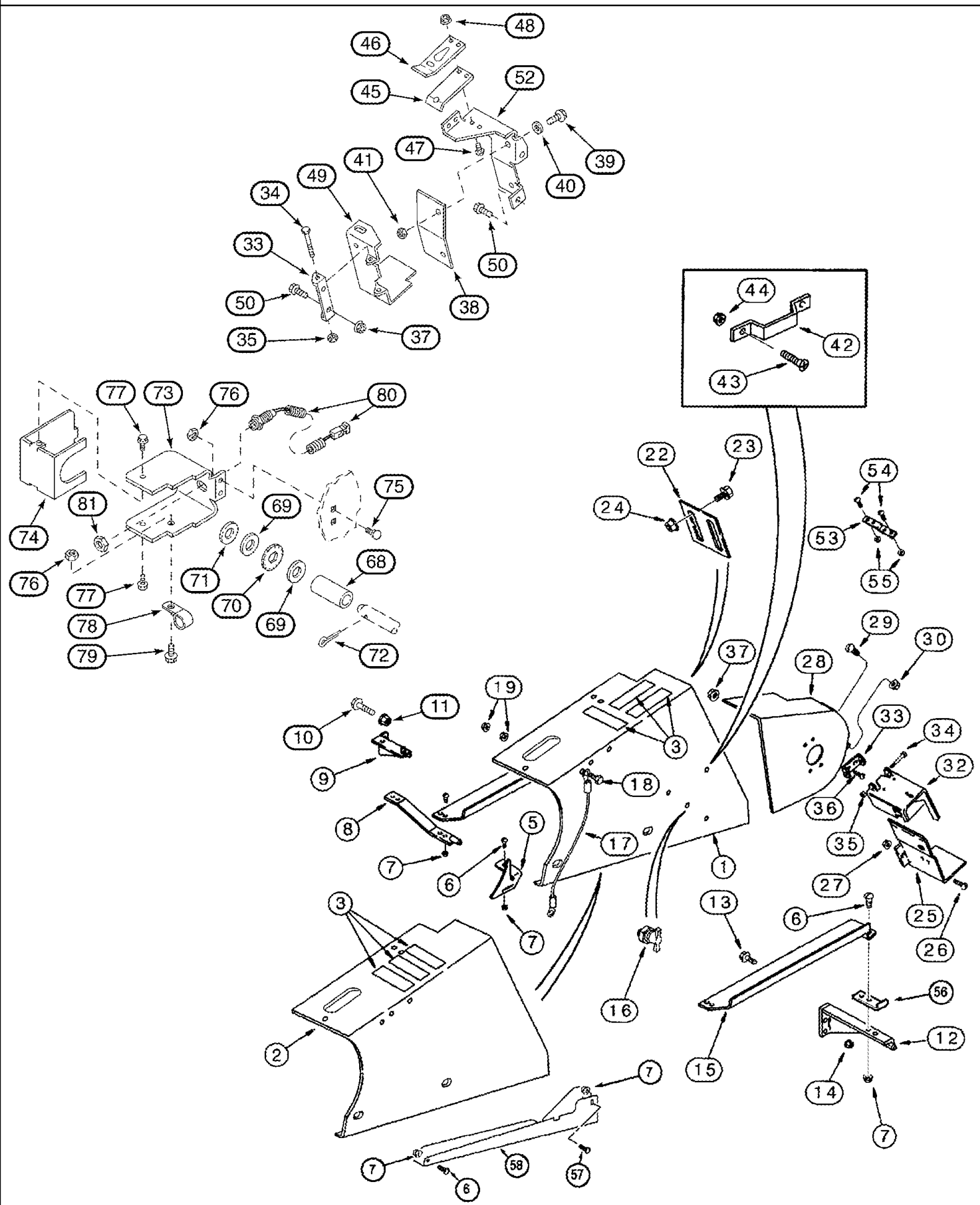
09A-13 FEEDER - JACKSHAFT IDLER PIVOT



09A-13 FEEDER - JACKSHAFT IDLER PIVOT

Ref	Part Number	Qty	Description
1	425-1010	2	NUT, 5/8"-11, G5,
1	86990149	1	NUT, 5/8 in
2	86988850	1	TENSIONER, 5/8 in
3	413528A1	1	WASHER, 1-1/16 x 2 x 1/16, Plastic
4	495-81191	2	WASHER, 1 5/32" x 2" x .060",
5	389973A2	1	TUBE,
6	389972A2	1	SPRING,
7	389974A1	1	WASHER, Spring Guide
8	413909A1	1	WASHER, Inc. 8A, 8B
8A	416747A1	1	WASHER, Special, Spherical Upper
8B	416749A1	1	WASHER, Special, Spherical Lower
9	495-81039	2	WASHER, 25/32" x 1 1/4" x .120",
10	413984A1	1	PIVOT,
11	413513A1	1	SLEEVE,
12	411925A1	1	ARM,
	413827A1	1	HOOK, Inc. 13, (1) 425-1010
13	413526A1	1	ROD, 5/8 in
14	219-93	1	NIPPLE, LUBE, 90c, 1/4" NPT x .75" lg, Drive,
15	495-81069	7	WASHER, 1 1/32" x 1 1/2" x .060",
16	87036419	1	SPACER, 1" Pipe x 3/4",
17	495-81069	AR	WASHER, 1 1/32" x 1 1/2" x .060",
18	176579C1	1	PULLEY, 8 in OD, Drive Tightener
19	135260A1	1	SCREW, 5/8 x 5
20	495-11066	3	WASHER, 5/8", SAE,
21	1345410C1	1	BUSHING, 17 x 35 x 15 mm
22	485-13116	2	SET SCREW, Sq Hd, 5/16"-18 x 1",
23	425-105	2	NUT, 5/16"-18, G5,
24	232-41110	1	NUT, LOCK, 5/8"-11, GC,
25	496-41066	1	WASHER, 21/32" x 1 1/2" x .188", HDN,
26	182323C1	1	SUPPORT,
27	182322C1	1	SUPPORT,
28	434-612	4	BOLT, CARRIAGE, Short NK, 3/8"-16 x 3/4", G5, Full Thd,
29	231-5146	4	NUT, Flg, USR, 3/8"-16,
30	434-612	4	BOLT, CARRIAGE, Short NK, 3/8"-16 x 3/4", G5, Full Thd,
31	231-5146	4	NUT, Flg, USR, 3/8"-16,
32	412294A1	1	STRAP,
33	413-616	1	BOLT, Hex, 3/8"-16 x 1", G5, Full Thd,
34	425-106	1	NUT, 3/8"-16, G5,
35	409-7816	1	BOLT, Hex Flg, 1/2"-13 x 1", Serr,
36	231-5148	1	NUT, Flg, USR, 1/2"-13,

09A-14 FEEDER - SHIELDS, JACKSHAFT DRIVE



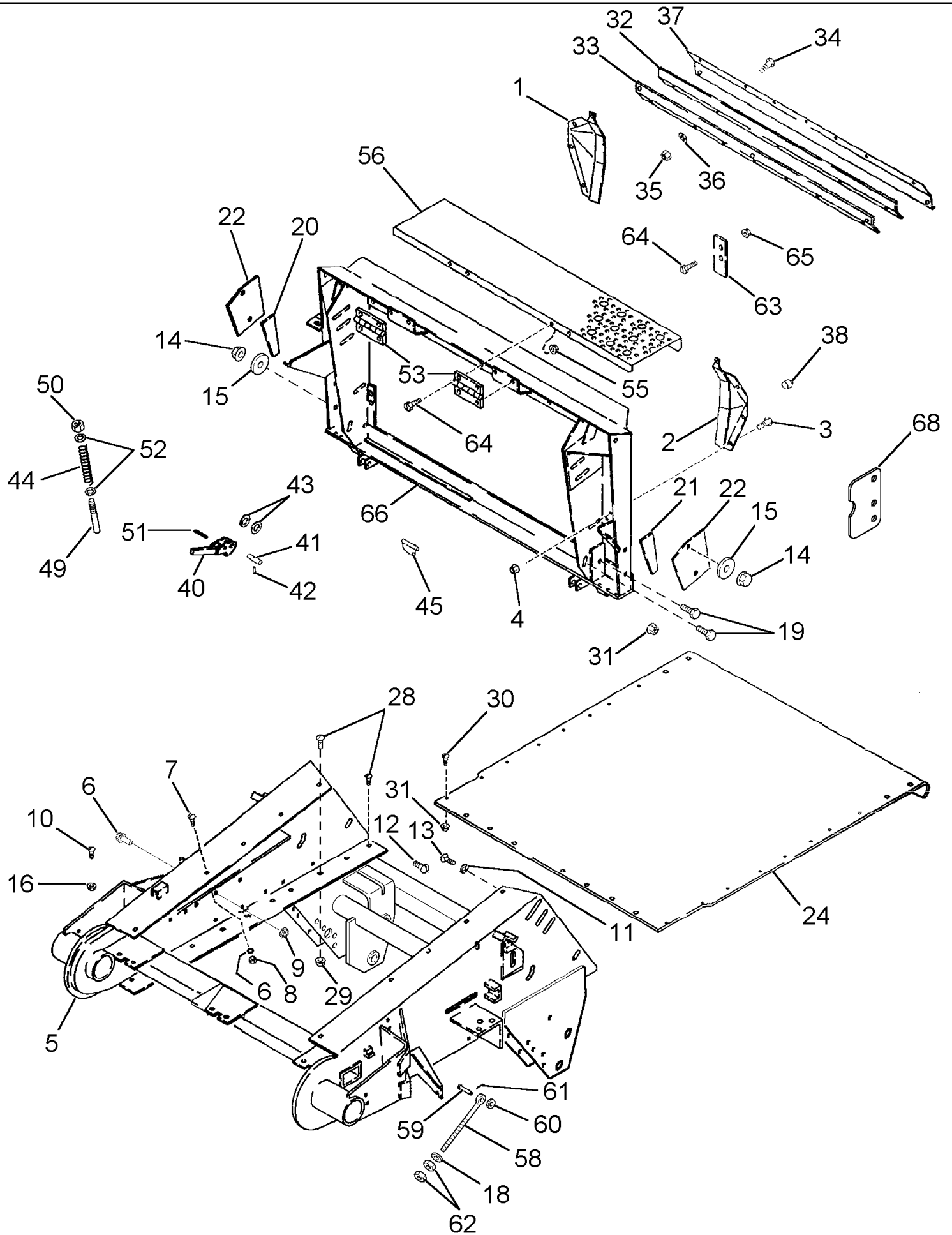
09A-14 FEEDER - SHIELDS, JACKSHAFT DRIVE

Ref	Part Number	Qty	Description
1	390383A1	1	SHIELD, Rear, Inc. 3, Inc. Decal, With 60 Inch Feeder, See Figure 09H-19, REF 4
2	390390A1	1	SHIELD, Rear, Inc. 3, Inc. Decal, See Figure 09H-19, REF 4, With 54-1/2 Inch Feeder
3	D55216	3	STRIP, ANTI-SKID, 2 x 9 in
4	138627A1	1	COVER, Australia Only, (Not Shown)
5	186675A2	1	GUARD,
6	477-73112	6	BOLT, Slotted Tr Hd, 5/16"-18 x 3/4",
6	413-512	2	BOLT, Hex, 5/16"-18 x 3/4", G5, Full Thd,
7	231-5145	4	NUT, Flg, USR, 5/16"-18,
7	231-5345	3	NUT, LOCK, Flg, 5/16"-18,
8	1321851C2	1	SUPPORT, Lower Rear
9	1327779C1	1	SUPPORT, Upper Rear
10	434-612	2	BOLT, CARRIAGE, Short NK, 3/8"-16 x 3/4", G5, Full Thd,
11	231-5146	2	NUT, Flg, USR, 3/8"-16,
12	1321878C2	1	SUPPORT, Lower Front
13	413-524	1	BOLT, Hex, 5/16"-18 x 1 1/2", G5,
14	231-5145	2	NUT, Flg, USR, 5/16"-18,
15	139079A2	1	SUPPORT, Rear
16	138699A2	1	LOCK,
17	132657A2	1	CABLE,
18	413-416	2	BOLT, Hex, 1/4"-20 x 1", G5,
19	231-5144	4	NUT, Flg, USR, 1/4"-20,
20	138629A1	1	COVER, Left Hand, Australia Only, (Not Shown)
21	138179A3	2	LATCH, Australia Only, (Not Shown)
22	139108A1	1	PLATE,
23	256873	2	BOLT, Hex Flg, 5/16"-18 x 1/2", Serr,
24	231-5145	2	NUT, Flg, USR, 5/16"-18,
25	129902A2	1	GUARD, Right Hand Rear
26	477-73816	2	SCREW, Sltd Serr Truss Hd, 3/8" x 1",
27	231-5146	2	NUT, Flg, USR, 3/8"-16,
28	129707A4	1	SHIELD, Front
29	256873	2	BOLT, Hex Flg, 5/16"-18 x 1/2", Serr,
30	231-5145	2	NUT, Flg, USR, 5/16"-18,
32	129715A2	1	GUARD, Right Hand Front
33	1345199C2	2	SUPPORT,
34	413-472	2	BOLT, Hex, 1/4"-20 x 4 1/2", G5,
35	231-4144	2	NUT, LOCK, 1/4"-20, GB,
36	477-73816	2	SCREW, Sltd Serr Truss Hd, 3/8" x 1",
37	231-5146	2	NUT, Flg, USR, 3/8"-16,
38	406610A1	1	SHIELD,
39	409-7616	2	BOLT, Hex Flg, 3/8"-16 x 1", Serr,
40	495-11041	2	WASHER, 3/8", SAE,
41	231-4116	2	NUT, LOCK, 3/8"-16, GB,
42	87686906	1	LATCH,

09A-14 FEEDER - SHIELDS, JACKSHAFT DRIVE

Ref	Part Number	Qty	Description
43	477-73108	2	SCREW, Slt'd Serr Truss Hd, 5/16"-18 x 1/2",
44	231-5145	2	NUT, Flg, USR, 5/16"-18,
45	407153A1	1	GUIDE,
46	138179A3	1	LATCH,
47	477-73112	2	BOLT, Slotted Tr Hd, 5/16"-18 x 3/4",
48	231-5145	2	NUT, Flg, USR, 5/16"-18,
49	406609A1	1	SHIELD, Left Hand Rear
50	409-7612	6	BOLT, Hex Flg, 3/8"-16 x 3/4", Serr,
52	406608A1	1	SHIELD, Left Hand Front
53	1321880C1	1	SUPPORT, Front
54	477-73112	4	BOLT, Slotted Tr Hd, 5/16"-18 x 3/4",
55	231-5145	4	NUT, Flg, USR, 5/16"-18,
56	235885A1	1	SUPPORT,
57	477-73108	2	SCREW, Slt'd Serr Truss Hd, 5/16"-18 x 1/2",
58	235873A1	1	SHIELD, Lower, With 54-1/2 Inch Feeder
58	235874A1	1	SHIELD, Lower, With 60 Inch Feeder
59	240438A2	1	TUBE, (Not Shown), See Figure 09A-12
63	495-21044	2	WASHER, 3/8", Australia Only, (Not Shown)
64	231-4116	2	NUT, LOCK, 3/8"-16, GB, Australia Only, (Not Shown)
65	138180A1	1	COVER, Australia Only, (Not Shown)
66	248406A1	1	GUARD, Rubber, (Not Shown)
66A	256873	2	BOLT, Hex Flg, 5/16"-18 x 1/2", Serr, (Not Shown)
67	252441A1	1	RETAINER, SEAL, (Not Shown)
68	584608R1	1	SPACER, 86 mm (3-3/8 in)
69	495-81093	7	WASHER, 1 25/32" x 2 1/2" x .120",
70	390532A1	1	PLATE, Transducer, 20T, Without Power Guide Axle
71	495-81093	1	WASHER, 1 25/32" x 2 1/2" x .120",
72	432-2440	1	PIN, SPLIT (COTTER), 3/8" x 2 1/2",
73	392857A2	1	BRACKET, , Without Power Guide Axle
74	392858A2	1	SHIELD, , Without Power Guide Axle
75	434-512	2	BOLT, CARRIAGE, Short NK, 5/16"-18 x 3/4", G5, Full Thd,
76	231-5145	4	NUT, Flg, USR, 5/16"-18,
77	281-1478	2	SCREW, SELF TAPPING, Hex Wash Hd, 1/4" x 1/2",
78	515-2395	1	CLAMP, 3/8", Insul, 3/8" Bolt,
79	409-7512	2	BOLT, Hex Flg, 5/16"-18 x 3/4", Serr,
80	REF	1	INSTRUCTION, Sensor, Feeder Speed, See Figure 04-01, REF 6
81	425-1512	1	NUT, Jam, 3/4"-10, G5,

09A-15 FEEDER - HOUSING AND ADAPTER



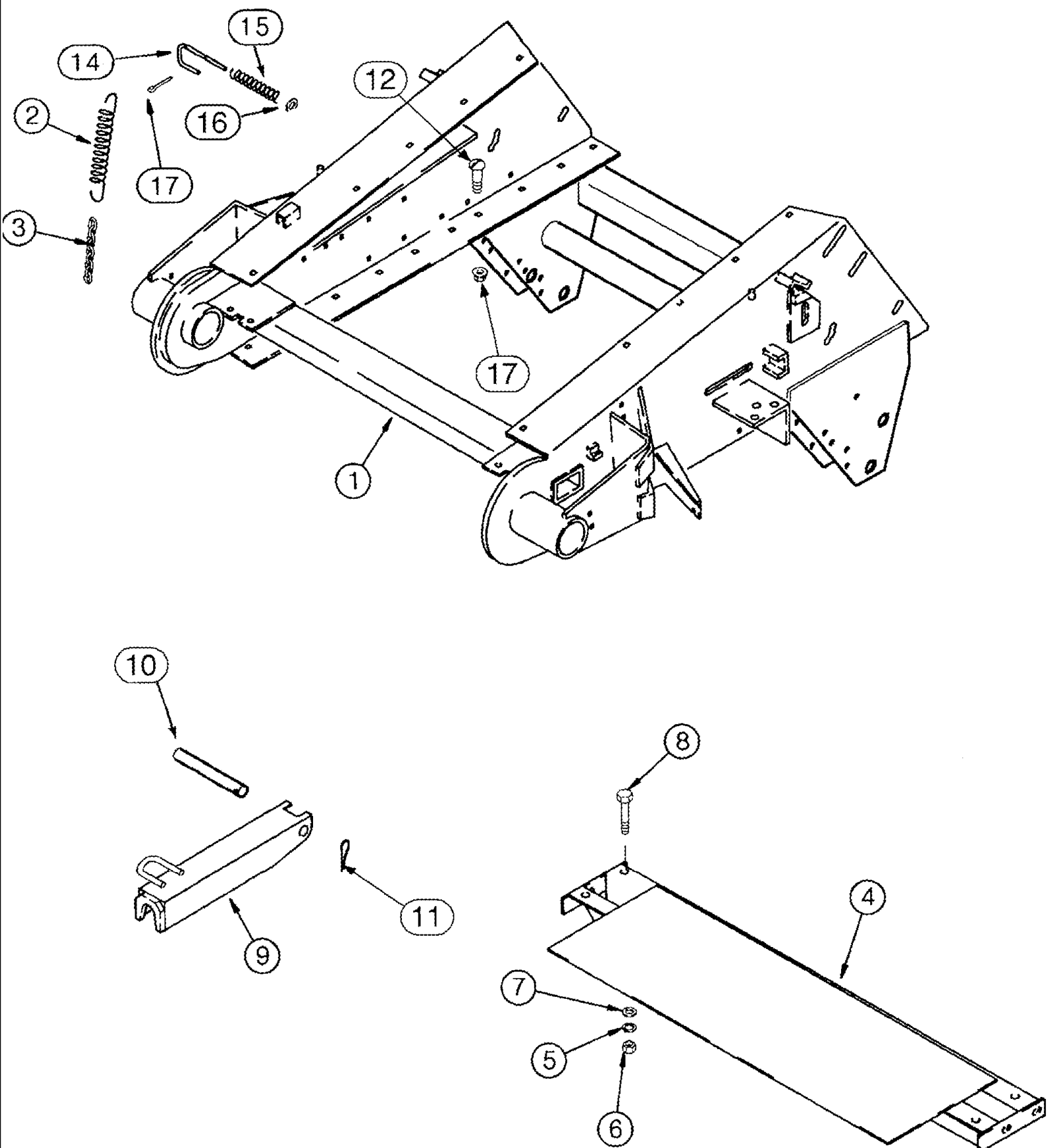
09A-15 FEEDER - HOUSING AND ADAPTER

Ref	Part Number	Qty	Description
1	184853C1	1	DEFLECTOR, Left Hand Front
2	184854C1	1	DEFLECTOR, Right Hand Front
51	38-1816	2	PIN, LOCK, 1/8" x 1", Slotted,
3	477-73112	6	BOLT, Slotted Tr Hd, 5/16"-18 x 3/4",
4	231-5145	8	NUT, Flg, USR, 5/16"-18,
5	400931A3	1	HOUSING, , With 54-1/2 Inch Feeder, Inc. Decals 144379A1, See Figure 09H-19, REF 4; 144385A1, REF 9
5	400929A3	1	FEEDER, , Inc. Decals 144379A1, See Figure 09H-19, REF 4; 144385A1, REF 9, With 60 Inch Feeder
6	409-7812	2	BOLT, Hex Flg, 1/2"-13 x 3/4", Serr,
7	434-616	2	BOLT, CARRIAGE, Short NK, 3/8"-16 x 1", G5, Full Thd,
8	425-106	2	NUT, 3/8"-16, G5,
9	231-5148	2	NUT, Flg, USR, 1/2"-13,
10	434-612	3	BOLT, CARRIAGE, Short NK, 3/8"-16 x 3/4", G5, Full Thd,
11	498-81010	8	WASHER, 41/64" x 1 1/2" x .105", Sq Hole,
12	433-1028	2	BOLT, CARRIAGE, Short NK, 5/8"-11 x 1 3/4", G5,
13	416-1036	8	BOLT, CARRIAGE, Short NK, 5/8"-11 x 2 1/4", G8,
14	400025A1	8	NUT, 5/8; 8
15	145678C3	8	WASHER, 17 mm
16	231-5146	3	NUT, Flg, USR, 3/8"-16,
18	496-41053	2	WASHER, 17/32" x 1 1/4" x 3/16",
19	413-832	4	BOLT, Hex, 1/2"-13 x 2", G5,
20	1327752C1	1	SEAL, Side, Left Hand
21	1327753C1	1	SEAL, Side, Right Hand
22	1327737C2	2	PLATE, Feeder Side, BSN HAJ300989
22	87624710	2	COVER, Feeder Side, ASN HAJ300989
24	1324572C2	1	PANEL, Lower, With 54-1/2 Inch Feeder
24	1345455C1	1	PANEL, Lower, Perforated, With 54-1/2 Inch Feeder
24	1324574C2	1	PANEL, Lower, With 60 Inch Feeder
24	118846A1	1	BOTTOM, Lower, Perforated, With 60 Inch Feeder
28	415-820	4	BOLT, CARRIAGE, Short NK, 1/2"-13 x 1 1/4", G8, Full Thd,
29	131-946	4	NUT, Flg, 1/2"-13, G8,
30	477-73816	16	SCREW, Sltd Serr Truss Hd, 3/8" x 1",
31	425-286	16	NUT, Flg, 3/8"-16, G5,
32	109254A1	1	PLATE,
33	1319473C1	1	COVER, Upper
34	409-7516	5	BOLT, Hex Flg, 5/16"-18 x 1", Serr,
35	232-4115	5	NUT, LOCK, 5/16"-18, GC,
35	231-4115	7	NUT, LOCK, 5/16"-18, GB,
36	495-11041	5	WASHER, 3/8", SAE,
36	495-81116	7	WASHER, .344" x 1" x .060",
37	1319475C1	1	COVER, Adapter
38	1321640C1	2	GROMMET, Cover
40	179024C1	2	HINGE,

09A-15 FEEDER - HOUSING AND ADAPTER

Ref	Part Number	Qty	Description
41	177141C1	2	PIN,
42	438-11616	2	PIN, LOCK, 1/4" x 1", Slotted,
43	495-81175	4	WASHER, 21/32" x 1" x .120",
44	367833R1	2	SPRING,
45	1338021C1	2	PIN,
49	177138C1	2	ROD,
50	231-1445	2	NUT, LOCK, 5/16"-18, GB,
52	495-11034	4	WASHER, 5/16", SAE,
54	477-73812	22	SCREW, Sltd Serr Truss Hd, 3/8" x 3/4",
55	231-5146	25	NUT, Flg, USR, 3/8"-16,
56	140768A4	1	STEP,
58	1321735C3	2	EYEBOLT,
59	439-5836	2	PIN, HEADED, 1/2" x 2 1/4",
60	496-41053	2	WASHER, 17/32" x 1 1/4" x 3/16",
61	432-1216	2	PIN, SPLIT (COTTER), 3/16" x 1",
62	9803187	4	NUT, 1/2"-13, G8,
63	181646C1	2	SUPPORT,
64	477-73116	4	SCREW, Sltd Serr Truss Hd, 5/16"-18 x 1",
65	231-5145	4	NUT, Flg, USR, 5/16"-18,
66	140764A4	1	ADAPTER, Feeder, BSN HAJ300989
66	87624709	1	ADAPTER, Feeder, ASN HAJ300989
67	126046A1	2	GASKET, 292 mm (11-1/2 in), Cut From 196707C1, (Not Shown)
68	87558951	2	PLATE ASSY.,
69	496-31053	2	WASHER, 17/32" x 1 1/16" x .188", HDN,
70	425-108	4	NUT, 1/2"-13, G5,
71	195-81030	6	WASHER,

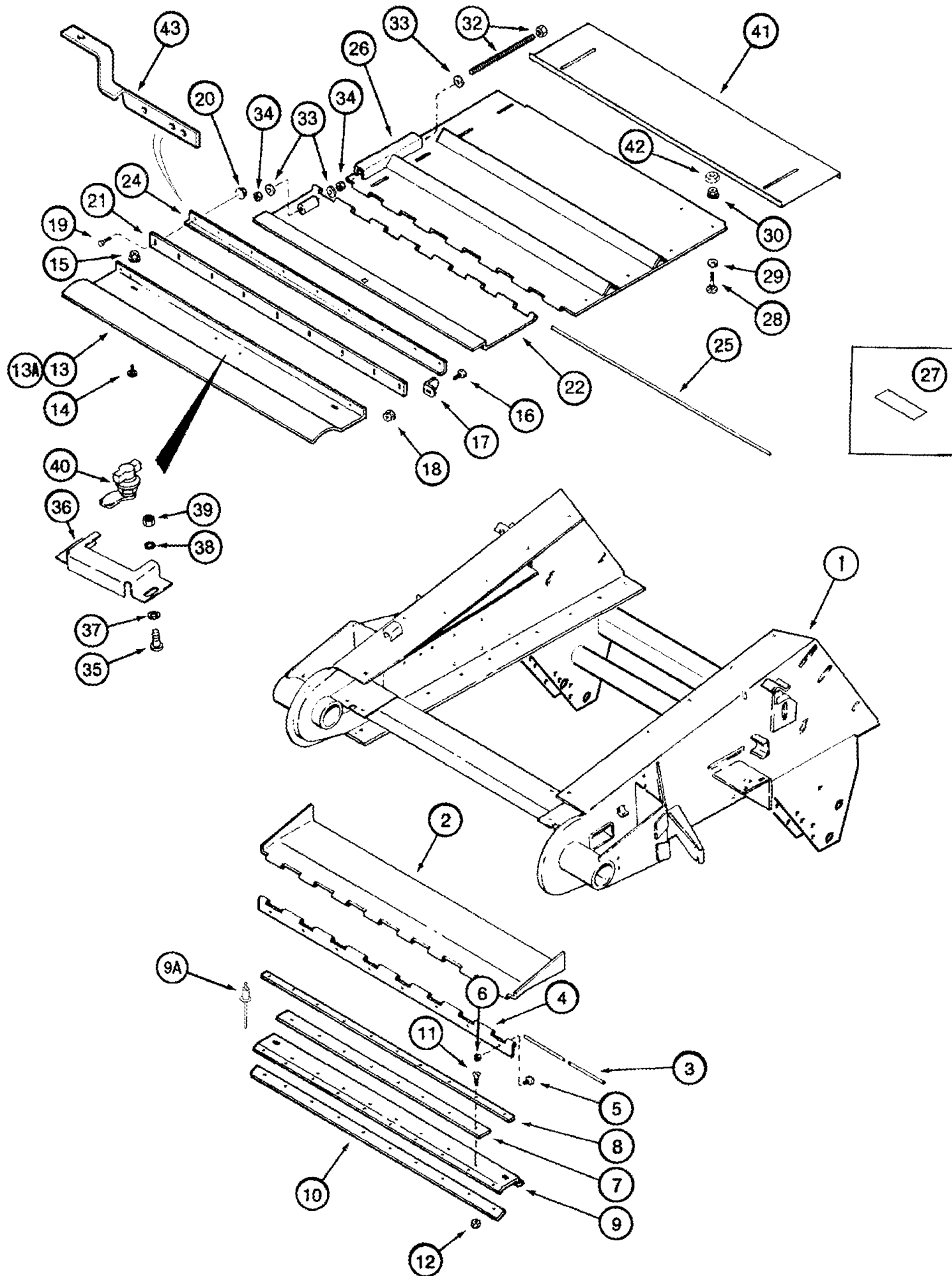
09A-16 FEEDER - SUPPORTS AND LIFT BRACKET



09A-16 FEEDER - SUPPORTS AND LIFT BRACKET

Ref	Part Number	Qty	Description
1	REF	1	INSTRUCTION, FEEDER HOUSING, See Figure 09A-15
2	635503R1	2	SPRING,
3	167570C1	2	CHAIN,
4	252123A2	1	REINFORCEMENT,
5	80679	4	WASHER, LOCK, 1/2",
6	425-108	4	NUT, 1/2"-13, G5,
7	195-81030	4	WASHER, 17/32 x 1-1/2 x 3/16
8	413-824	2	BOLT, Hex, 1/2"-13 x 1 1/2", G5, Full Thd,
8	413-828	2	BOLT, Hex, 1/2"-13 x 1 3/4", G5,
9	87301427	1	STAND,
10	242303A1	2	PIN, 1-1/4 x 6-1/2 (Not Shown)
10	403002A1	1	PIN, 1-1/4 x 10-1/4, 12 Row Ready
11	432-1632	2-4	PIN, SPLIT (COTTER), 1/4" x 2",
12	477-73820	8	SCREW, Slt'd Serr Truss Hd, 3/8"-16 x 1 1/4",
13	231-5146	8	NUT, Flg, USR, 3/8"-16,
14	243058A3	1	PIN,
15	M296	1	SPRING,
16	495-11041	1	WASHER, 3/8", SAE,
17	432-812	3	PIN, SPLIT (COTTER), 1/8" x 3/4",

09A-17 FEEDER - COVERS

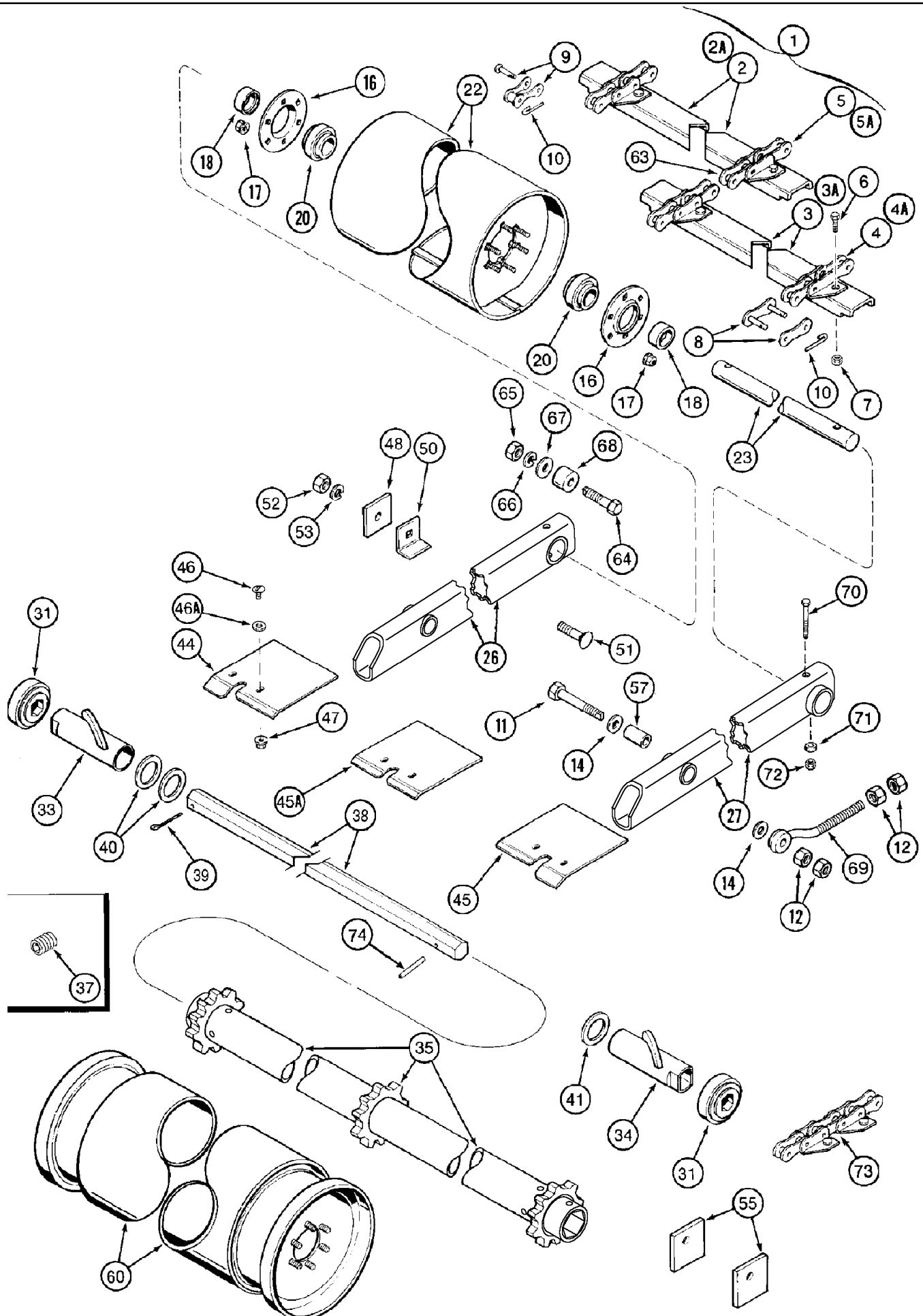


09A-17 FEEDER - COVERS

Ref	Part Number	Qty	Description
1	REF	1	INSTRUCTION, Housing, Feeder, See Figure 09A-15
2	87602131	1	DOOR, Lower
3	175931C1	1	ROD,
4	193611C2	1	HINGE,
5	477-73816	8	SCREW, Slt'd Serr Truss Hd, 3/8" x 1",
6	231-5146	8	NUT, Flg, USR, 3/8"-16,
7	1319964C1	1	STRIP,
	NSS	1	NOT SERVICED SEPARATELY, Seal Assy, Inc. 8 - 10
8	197526C1	1	STRIP,
9	1319960C1	1	SUPPORT,
9A	151-559	8	RIVET, Pop, 3/16" x .700",
10	1319962C1	1	SEAL,
11	443-11012	8	SCREW, Cross Flat Hd, #10-24 x 3/4",
12	196922C1	8	NUT, No. 10
13	131022A1	1	COVER,
14	434-816	2	BOLT, CARRIAGE, Short NK, 1/2"-13 x 1", G5, Full Thd,
15	131-946	2	NUT, Flg, 1/2"-13, G8,
16	409-7416	2	BOLT, Hex Flg, 1/4"-20 x 1", Serr,
17	1322144C2	2	CLIP,
18	231-5144	2	NUT, Flg, USR, 1/4"-20,
19	409-7616	6	BOLT, Hex Flg, 3/8"-16 x 1", Serr,
20	231-5146	6	NUT, Flg, USR, 3/8"-16,
21	634248R2	1	SEAL,
22	138250A1	1	FLAP, Upper Door
24	197527C2	1	ANGLE,
25	175907C1	1	ROD,
26	186356A1	1	SHEET, Upper, Inc. 27, With 54-1/2 Inch Feeder
26	186357A1	1	SHEET, Upper, Inc. 27, With 60 Inch Feeder
27	D80270	1	STRIP, Non-Slip, 635 mm (25 in) x 51 mm (2 in)
28	415-824	8	BOLT, CARRIAGE, Short NK, 1/2"-13 x 1 1/2", G8,
29	195-81030	8	WASHER, 17/32 x 1-1/2 x 3/16
30	131-946	8	NUT, Flg, 1/2"-13, G8,
32	1321504C1	2	SCREW,
33	496-21081	4	WASHER, 13/16" x 1 1/2" x .179", HDN,
34	425-1012	3	NUT, 3/4"-10, G5,
35	477-73812	2	SCREW, Slt'd Serr Truss Hd, 3/8" x 3/4",
36	130658A1	1	SUPPORT,
37	495-11041	2	WASHER, 3/8", SAE,
38	492-11038	2	WASHER, LOCK, 3/8",
39	425-106	2	NUT, 3/8"-16, G5,
40	138699A2	1	LOCK,
41	1321639C1	1	PLATE, Upper Front
42	425-148	8-10	NUT, Jam, 1/2"-13, G5,

09A-17 FEEDER - COVERS

Ref	Part Number	Qty	Description
43	139045A2	1	SUPPORT, Feeder Hoses



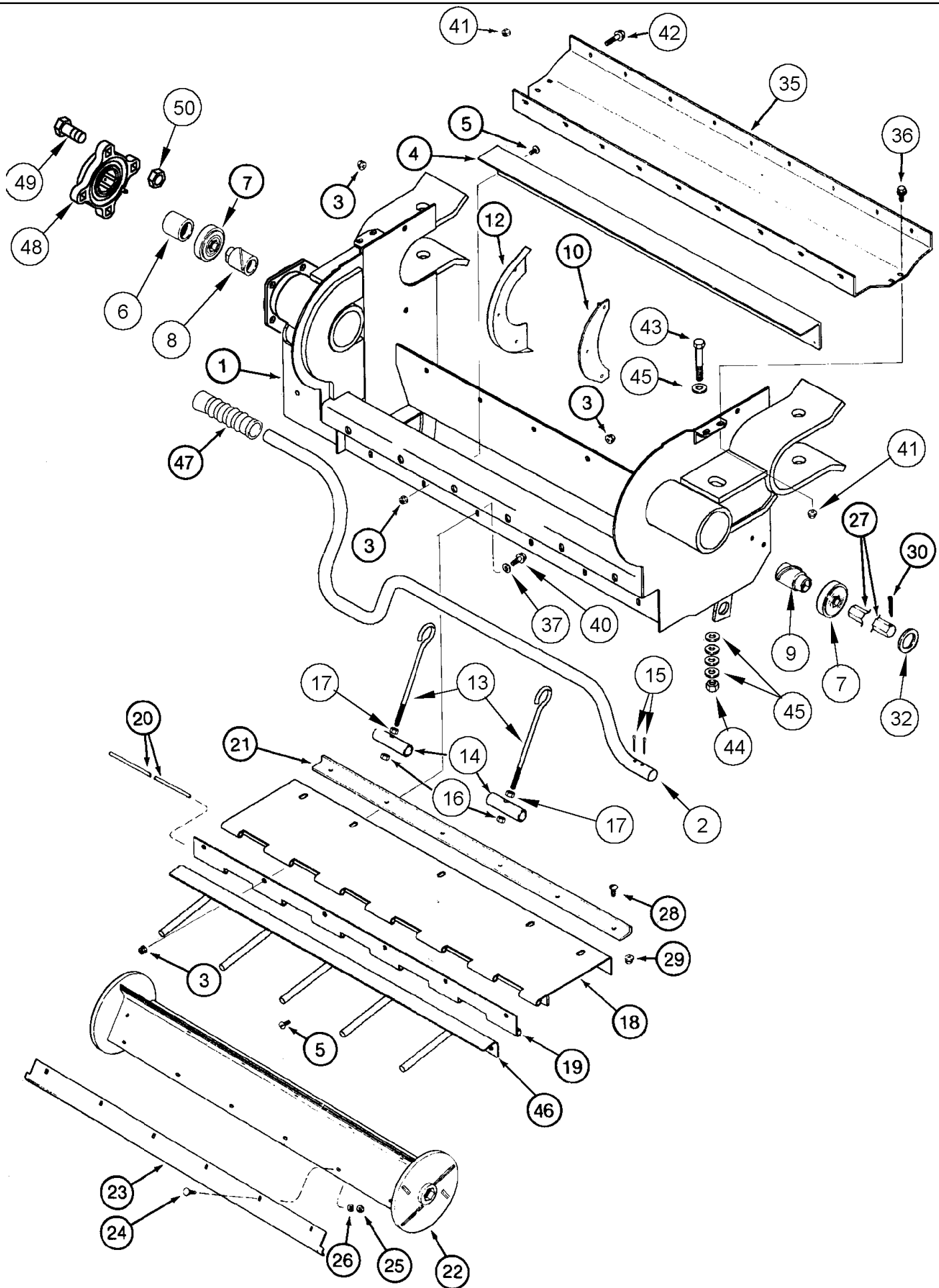
09A-18 FEEDER - CONVEYOR - 3 STRAND CONVEYOR CHAIN

Ref	Part Number	Qty	Description
1	195666A2	1	CHAIN, Serrated Slats, Inc. 2A, 3A (11 ea), 4 (2), 5, 8, With 54-1/2 Inch Feeder, Corn, Grain and Rice Combine
1	195670A2	1	CHAIN, Serrated Slats, Inc. 2A, 3A (12 ea), 4A (2), 5A, 8, Corn, Grain and Rice Combine, With 60 Inch Feeder
2	196359A2	AR	SLAT, Package, Serrated, Right Hand, Inc. (1) Slat & 6, 7 (4 ea), With 54-1/2 Inch Feeder, With 60 Inch Feeder
3	196360A3	AR	SLAT, Package, Serrated, Left Hand, Inc. (1) Slat & 6, 7 (4 ea), With 54-1/2 Inch Feeder, With 60 Inch Feeder
4	1989520C1	2	CHAIN, End, With 54-1/2 Inch Feeder
4A	118661A1	2	CHAIN, A557, End, With 60 Inch Feeder
5	1989519C1	1	CHAIN, Center, With 54-1/2 Inch Feeder
5A	1989529C1	1	CHAIN, Center, With 60 Inch Feeder
6	426-616	44-48	BOLT, Hex, 3/8"-16 x 1", G8, Full Thd,
7	1306680C1	44-48	NUT, LOCK, 3/8
8	87283349	3	LINK, CONNECTING, A557, Connecting
8A	87283351	AR	LINK, CHAIN, A557, Roller Link, (Not Shown)
9	87283350	1	LINK, OFFSET, A557, Offset
10	1329837C2	2	PIN,
11	187218C2	2	SCREW, 5/8 x 4-1/2
12	425-1010	4	NUT, 5/8"-11, G5,
14	496-41066	6	WASHER, 21/32" x 1 1/2" x .188", HDN,
16	1330461C1	4	FLANGE,
17	1306680C1	12	NUT, LOCK, 3/8
18	557995R11	2	COLLAR,
20	619737R91	2	BEARING, BALL,
22	1957438C1	1	DRUM,
23	187208C2	1	ROD,
26	1338287C3	1	ARM, Standard, Left Hand
27	1338288C3	1	ARM, Standard, Right Hand
31	179665C91	2	BEARING, BALL,
33	87393048	1	SPACER, Left Hand
34	87393049	1	SPACER, Right Hand
35	87384169	1	SPROCKET ASSY., , BSN HAJ301760
35	87642397	1	SPROCKET ASSY., , ASN HAJ301760
37	197643C1	4	SCREW,
38	389071A1	1	SHAFT, 1756 mm (69-1/8 in)
39	38-12440	1-2	PIN, LOCK, 3/8" x 2 1/2", Slotted, Used with 389071A1
39	402485A1	1	PIN,
40	495-81093	AR	WASHER, 1 25/32" x 2 1/2" x .120", , BSN HAJ301760
40	390362R1	2	WASHER, THRUST, 1 for Each End of Feeder Sprocket, ASN HAJ301760
41	495-81092	AR	WASHER, 1 25/32" x 2 1/2" x .060", , BSN HAJ301760
41	87665648	2	WASHER, THRUST, 1 for Each End of Feeder Sprocket, ASN HAJ301760
	197233A2	1	PACKAGE, Inc. 44 - 46, 47

09A-18 FEEDER - CONVEYOR - 3 STRAND CONVEYOR CHAIN

Ref	Part Number	Qty	Description
44	87523833	1	SUPPORT, Left Hand
45	87523842	1	SUPPORT, Right Hand
45A	87530580	1	SUPPORT, Center
46	477-73812	6	SCREW, Sltd Serr Truss Hd, 3/8" x 3/4",
46A	495-81092	6	WASHER, 1 25/32" x 2 1/2" x .060",
47	231-5146	6	NUT, Flg, USR, 3/8"-16,
48	187347C1	2	PLATE, , Without Stone Retarder
50	1345418C2	2	BRACKET,
51	433-1036	2	BOLT, CARRIAGE, Short NK, 5/8"-11 x 2 1/4", G5,
52	425-1010	6	NUT, 5/8"-11, G5,
53	492-11062	2	WASHER, LOCK, 5/8",
55	187225C1	2	BAR, , With Stone Retarder
57	87036417	2	SPACER, 7/8" Tube x 1 13/16",
60	196409A2	1	DRUM, , With Stone Retarder
63	1989692C1	AR	LINK, Attaching
64	189709C1	2	BOLT,
65	425-108	2	NUT, 1/2"-13, G5,
66	80679	2	WASHER, LOCK, 1/2",
67	495-81162	2	WASHER, 17/32" x 1 1/2" x .179",
68	197211C1	2	SPACER,
69	176508C1	2	BOLT,
70	426-656	2	BOLT, Hex, 3/8"-16 x 3 1/2", G8,
71	314148R1	2	SPACER, 3/8" X-Strng Pipe x .469",
72	231-1446	2	NUT, LOCK, 3/8"-16, GB,
73	305191A1	AR	LINK, Three Strand Feeder Chain, Service Repair Only
74	402485A1	1	PIN,

09A-19 ROCK TRAP



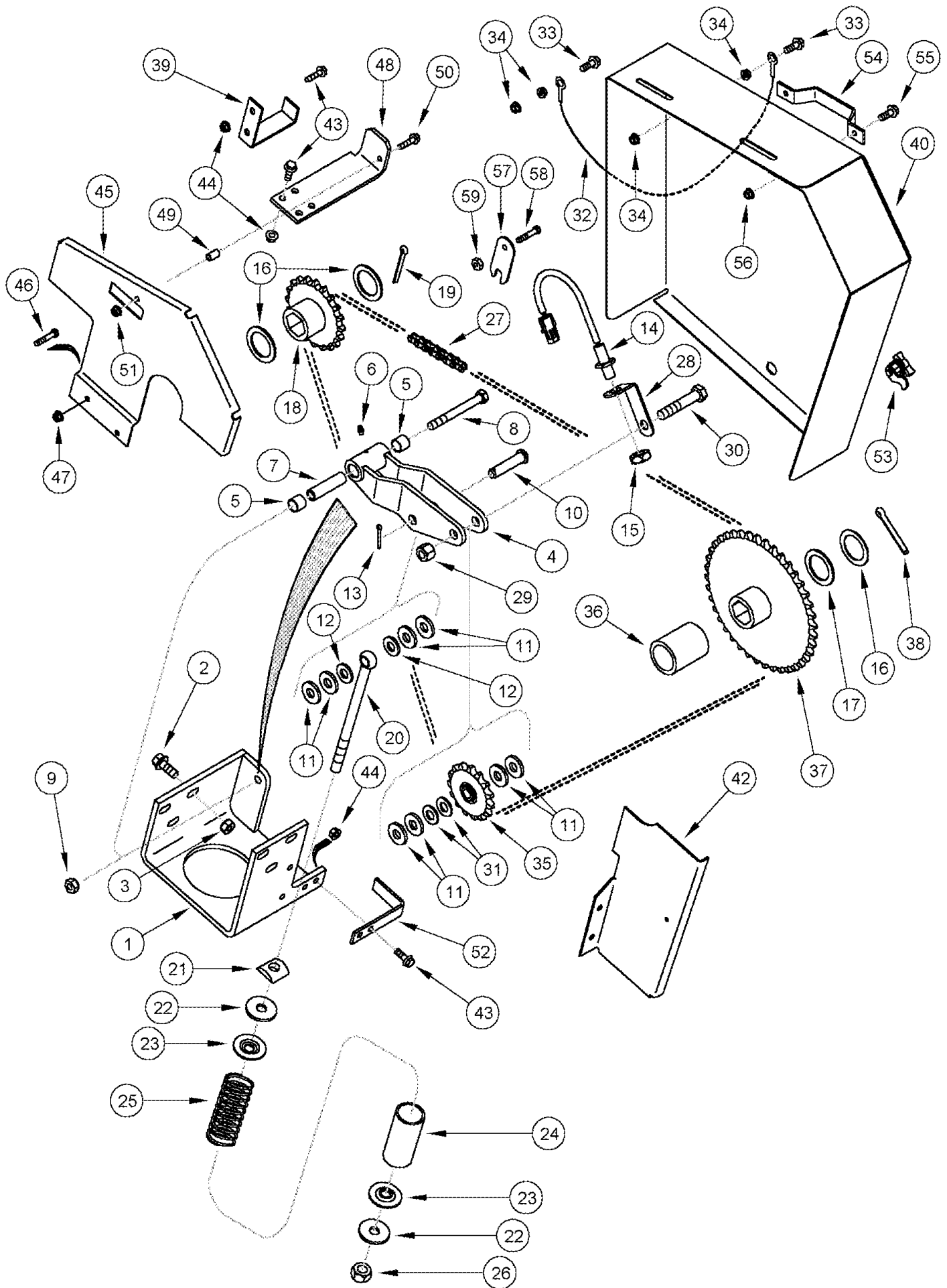
09A-19 ROCK TRAP

Ref	Part Number	Qty	Description
	389585A1	1	STONE TRAP, Rock Trap, Inc. 1 - 23, 24 - 28, 30, 32, 48 - 50
1	386208A1	1	HOUSING,
2	241654A1	1	STEM, Rod Door Latch
3	231-5145	37	NUT, Flg, USR, 5/16"-18,
4	1320278C1	1	BRACKET,
5	477-73112	15	BOLT, Slotted Tr Hd, 5/16"-18 x 3/4",
6	162172C1	1	SPACER, 1-13/16 x 2-1/4 x 1-15/16
7	179665C91	2	BEARING, BALL,
8	390631A1	1	SPACER, Left Hand
9	390632A1	1	SPACER, Right Hand
10	1320254C1	2	PLATE, Two Stud
12	195202C1	2	SEAL,
13	131950A1	2	STEM, Rod
14	131964A1	2	TUBE, Pivot
15	432-1224	2	PIN, SPLIT (COTTER), 3/16" x 1 1/2",
16	231-4146	2	NUT, LOCK, 3/8"-16, GB,
17	425-106	2	NUT, 3/8"-16, G5,
	241643A2	1	TRAP DOOR, Inc. 18 - 20
18	NSS	1	NOT SERVICED SEPARATELY, Door
19	243445A1	1	HINGE,
20	1320120C1	1	ROD,
21	1324881C1	1	ANGLE,
22	1319832C2	1	DRUM,
23	1324437C1	3	EXTENSION, Smooth
23A	1320922C2	1	BLADE, Serrated, (Not Shown)
24	434-624	18	BOLT, CARRIAGE, Short NK, 3/8"-16 x 1 1/2", G5,
25	425-106	18	NUT, 3/8"-16, G5,
26	492-11038	18	WASHER, LOCK, 3/8",
27	389022A1	1	SHAFT,
28	477-73812	6	SCREW, Sltd Serr Truss Hd, 3/8" x 3/4",
29	231-5146	6	NUT, Flg, USR, 3/8"-16,
30	432-2040	2	PIN, SPLIT (COTTER), 5/16" x 2 1/2",
32	495-81093	4	WASHER, 1 25/32" x 2 1/2" x .120",
32	495-81092	AR	WASHER, 1 25/32" x 2 1/2" x .060", Used for Shimming
35	1327926C4	1	COVER,
36	409-7616	4	BOLT, Hex Flg, 3/8"-16 x 1", Serr,
36	409-7620	6	BOLT, Hex Flg, 3/8"-16 x 1 1/4", Serr,
37	495-81135	8	WASHER, 13/32" x 1" x .120",
40	409-7516	9	BOLT, Hex Flg, 5/16"-18 x 1", Serr,
41	231-5146	30	NUT, Flg, USR, 3/8"-16,
41	1306680C1	4	NUT, LOCK, 3/8
42	409-7612	8	BOLT, Hex Flg, 3/8"-16 x 3/4", Serr,
43	326-16128	2	BOLT, Hex, 1"-8 x 8", G8, If Used

09A-19 ROCK TRAP

Ref	Part Number	Qty	Description
43	426-16104	2	BOLT, Hex, 1"-8 x 6 1/2", G8, If Used
44	231-42116	2	NUT, LOCK, 1"-8, GB,
45	495-11106	10	WASHER, 1", SAE,
46	1320776C1	1	SUPPORT,
47	86995153	1	HANDLE,
48	389588A1	1	BEARING ASSY,
49	409-7824	4	BOLT, Hex Flg, 1/2"-13 x 1 1/2", Serr,
50	231-5148	4	NUT, Flg, USR, 1/2"-13,

09A-20 ROCK TRAP DRIVE



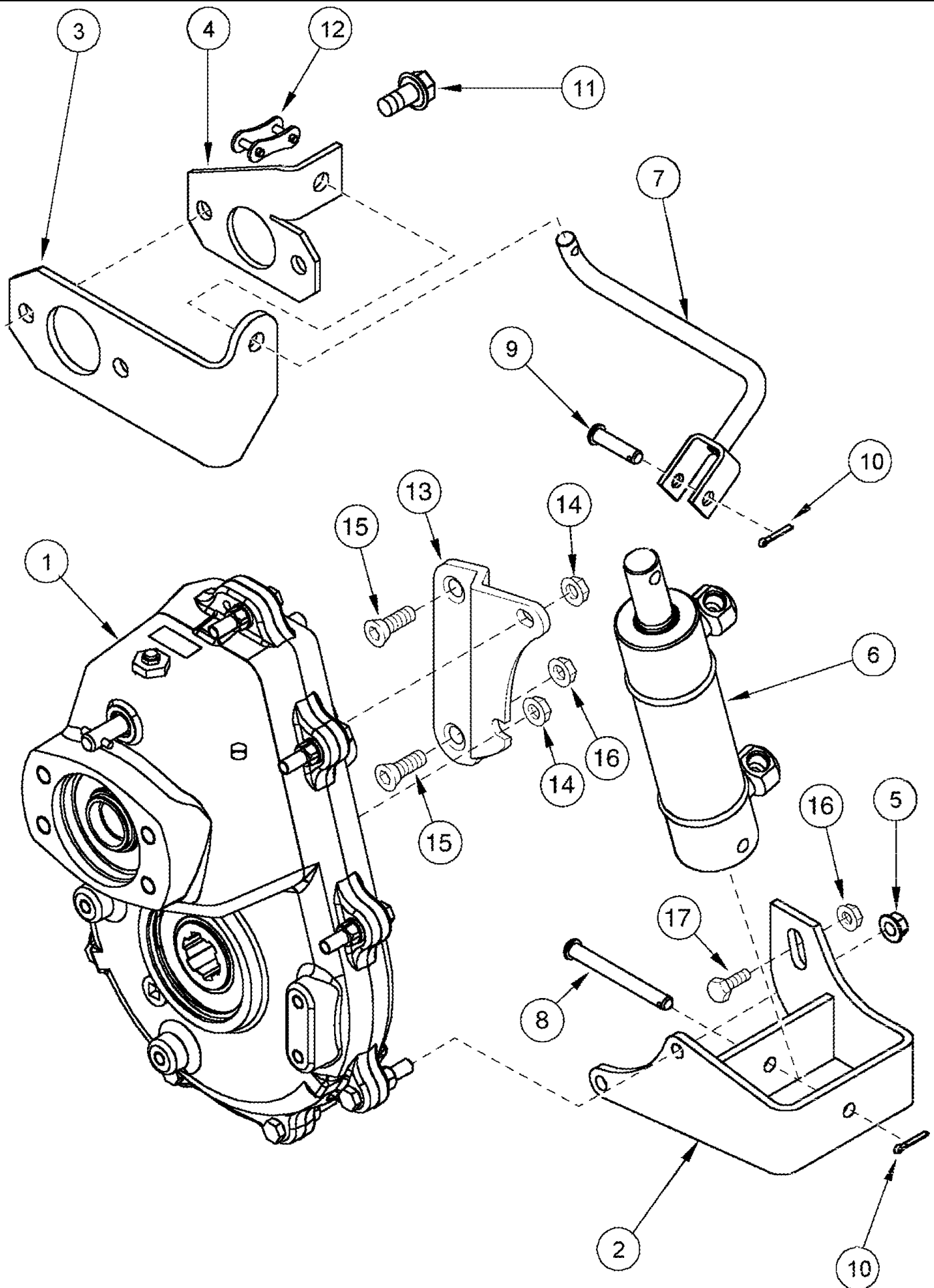
09A-20 ROCK TRAP DRIVE

Ref	Part Number	Qty	Description
1	390744A2	1	SUPPORT,
2	86521614	6	BOLT, Hex Flg, 1/2"-13 x 1 1/4", G5, Full Thd,
3	231-5148	3	NUT, Flg, USR, 1/2"-13,
4	390737A1	1	ARM, Inc. 5
5	1280291C1	2	BUSHING, 19 mm (3/4 in) dia
6	219-87	1	NIPPLE, LUBE, 1/4"-28 x .56" lg, Self-Tap,
7	390822A1	1	BUSHING,
8	413-864	1	BOLT, Hex, 1/2"-13 x 4", G5,
9	231-5148	1	NUT, Flg, USR, 1/2"-13,
10	439-11044	1	PIN, HEADED, 5/8" x 2 3/4", G2,
11	496-41066	9	WASHER, 21/32" x 1 1/2" x .188", HDN,
12	496-21066	2	WASHER, 21/32" x 1 5/16" x .150",
13	432-1220	1	PIN, SPLIT (COTTER), 3/16" x 1 1/4",
14	REF	1	INSTRUCTION, Sensor, Feeder Speed, See Figure 04-01
15	425-1512	1	NUT, Jam, 3/4"-10, G5,
16	495-81093	AR	WASHER, 1 25/32" x 2 1/2" x .120",
17	495-81092	AR	WASHER, 1 25/32" x 2 1/2" x .060",
18	1329719C2	1	SPROCKET, 20T, Beater Driven
18	125407A1	1	SPROCKET, 30T, Beater Driven
19	432-2040	2	PIN, SPLIT (COTTER), 5/16" x 2 1/2",
20	390871A1	1	EYEBOLT,
21	390870A1	1	PIVOT,
22	495-81030	2	WASHER, 21/32" x 2" x .179",
23	394120A1	2	WASHER,
24	390869A1	1	SPACER,
25	390872A1	1	SPRING,
26	425-1010	1	NUT, 5/8"-11, G5,
27	390967A1	1	CHAIN, 49-1/2 in, 66 links
	111716A1	AR	LINK, CHAIN, 3 Link Extension
	111714A1	AR	CLIP, SPRING, Connecting Link
28	394014A1	1	BRACKET,
29	232-41110	1	NUT, LOCK, 5/8"-11, GC,
30	413-1052	1	BOLT, Hex, 5/8"-11 x 3 1/4", G5,
31	495-11066	4	WASHER, 5/8", SAE,
32	132657A2	1	CABLE,
33	413-416	2	BOLT, Hex, 1/4"-20 x 1", G5,
34	231-5144	4	NUT, Flg, USR, 1/4"-20,
35	541857R92	1	SPROCKET, 15T, Idler
36	584608R1	1	SPACER, 86 mm (3-3/8 in)
37	1329720C2	1	SPROCKET, 40T, Driven
38	432-2440	1	PIN, SPLIT (COTTER), 3/8" x 2 1/2",
39	132685A2	1	SUPPORT,
40	391651A1	1	SHIELD, Feeder Reverser

09A-20 ROCK TRAP DRIVE

Ref	Part Number	Qty	Description
42	391656A1	1	SHIELD, Lower
43	409-7616	4	BOLT, Hex Flg, 3/8"-16 x 1", Serr,
43	413-872	5	BOLT, Hex, 1/2"-13 x 4 1/2", G5,
44	231-5146	4	NUT, Flg, USR, 3/8"-16,
45	405570A1	1	SHIELD, Upper, Inc. Decal 144385A1, See Figure 09H-19, REF 9
46	409-7512	1	BOLT, Hex Flg, 5/16"-18 x 3/4", Serr,
47	231-5145	1	NUT, Flg, USR, 5/16"-18,
48	138185A3	1	SUPPORT, Upper
49	87036415	1	SPACER, 1/4" Pipe x 3/4",
50	409-7520	2	BOLT, Hex Flg, 5/16"-18 x 1 1/4", Serr,
51	231-5145	1	NUT, Flg, USR, 5/16"-18,
52	391658A1	1	BRACKET, Lower Front
53	138699A2	1	LOCK,
53	135476A1	1	LOCK, Australia Only
54	87686906	1	LATCH,
55	477-73108	2	SCREW, Slt'd Serr Truss Hd, 5/16"-18 x 1/2",
56	231-5145	2	NUT, Flg, USR, 5/16"-18,
57	399382A1	AR	SHIM,
58	409-7520	1	BOLT, Hex Flg, 5/16"-18 x 1 1/4", Serr,
59	231-5145	1	NUT, Flg, USR, 5/16"-18,

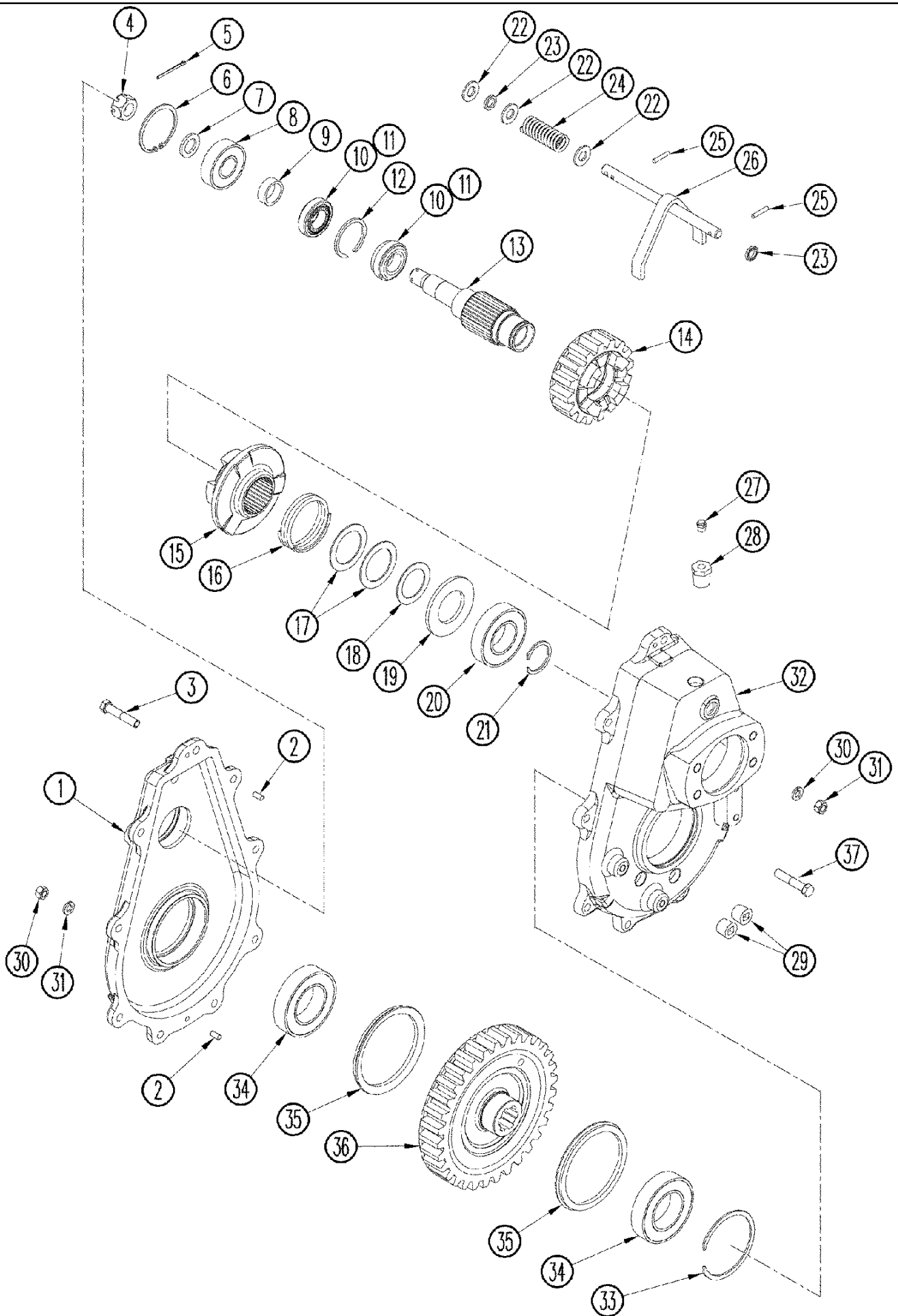
09A-21 GEARBOX ASSY - FEEDER REVERSER



09A-21 GEARBOX ASSY - FEEDER REVERSER

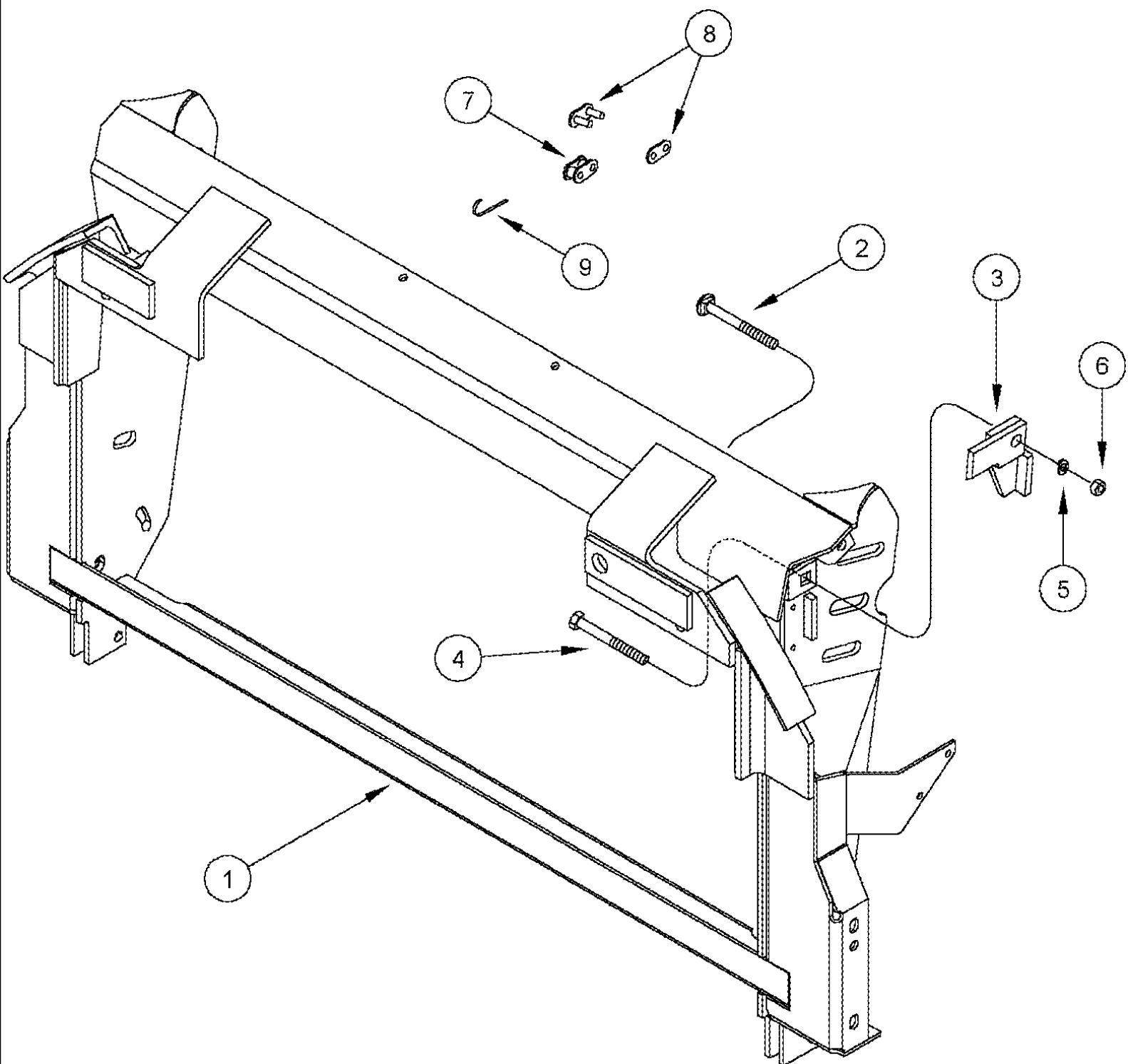
Ref	Part Number	Qty	Description
	401134A2	1	GEARBOX, Inc. 1 - 12
1	86980131	1	GEARBOX, , See Figure 09A-22
2	405720A1	1	SUPPORT,
3	388772A1	1	BRACKET,
4	388773A1	1	BRACKET,
5	231-5146	2	NUT, Flg, USR, 3/8"-16,
6	87391858	1	CYLINDER, Clutch
7	391768A1	1	ROD,
8	439-1656	1	PIN, HEADED, 3/8" x 3 1/2",
9	439-5624	1	PIN, HEADED, 3/8" x 1 1/2",
10	432-812	2	PIN, SPLIT (COTTER), 1/8" x 3/4",
11	409-7816	2	BOLT, Hex Flg, 1/2"-13 x 1", Serr,
12	242-1410	1	LINK, CHAIN,
13	405718A1	1	SUPPORT,
14	231-5146	2	NUT, Flg, USR, 3/8"-16,
15	87301496	2	SCREW, Hex Soc Hd, 1/2"-13 x 1 1/2",
16	231-5148	4	NUT, Flg, USR, 1/2"-13,
17	87670	3	BOLT, Hex, 1/2"-13 x 1 1/4", G5, Full Thd,

09A-22 GEARBOX - FEEDER REVERSER



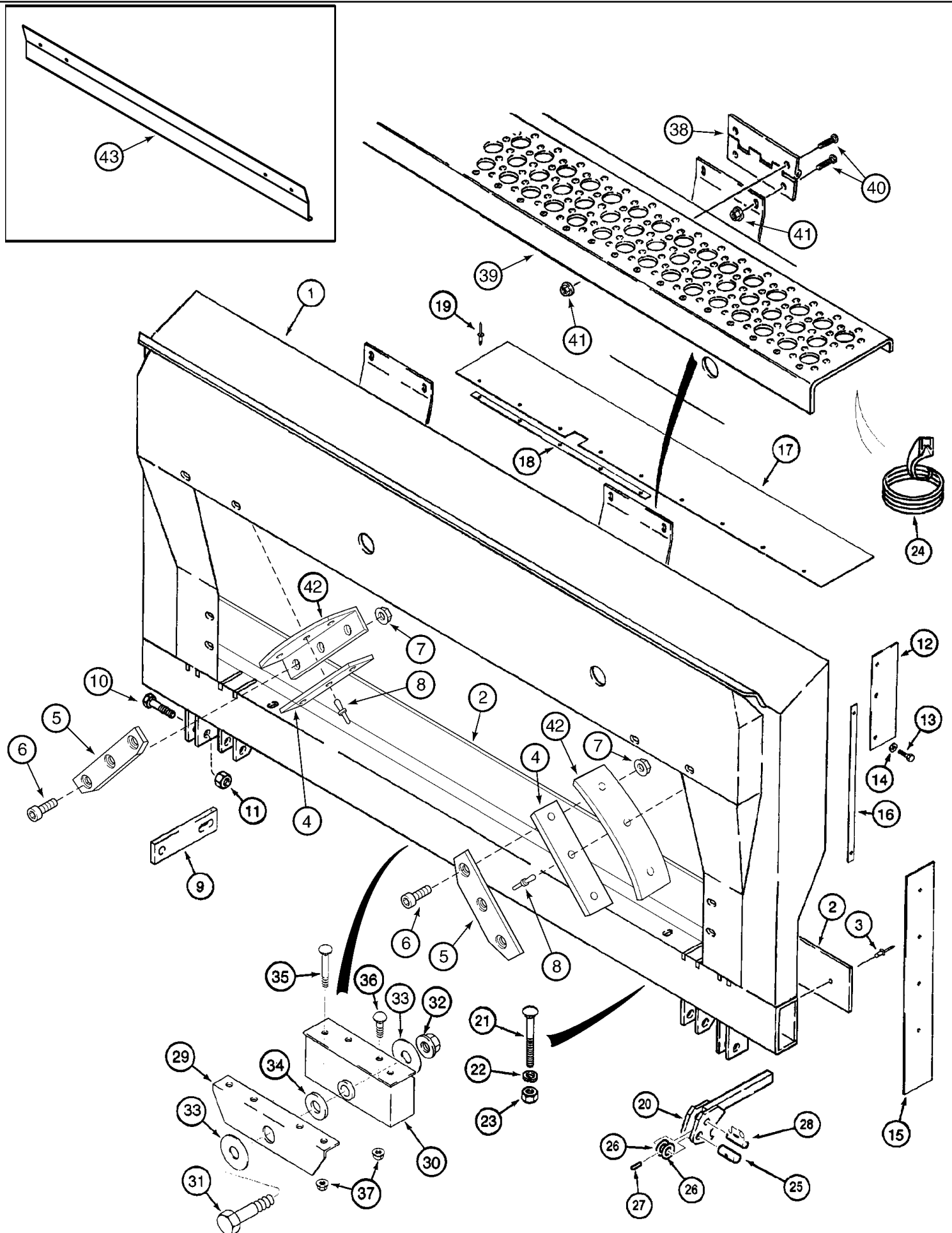
09A-22 GEARBOX - FEEDER REVERSER

Ref	Part Number	Qty	Description
	86980131	1	GEARBOX, Inc. 1 - 36
1	681631	1	HOUSING, Inc. 2
2	64780	2	DOWEL, 1/4 x 1/2
3	413-632	7	BOLT, Hex, 3/8"-16 x 2", G5,
4	425-1312	1	NUT, SLOTTED, 3/4"-16, G5,
5	432-824	1	PIN, SPLIT (COTTER), 1/8" x 1 1/2",
6	100-21244	1	RING, SNAP, 2.44", Int, #244,
7	95-81051	1	WASHER, 25/32" x 1 1/4" x .134",
8	86548977	1	BEARING, BALL,
9	144929	1	SPACER,
10	132709	2	BEARING, CUP,
11	132710	2	BEARING, ROLLER,
12	685097	1	RING, SNAP,
13	681639	1	SHAFT,
14	681629	1	GEAR, 16T
15	681637	1	CLUTCH,
16	646518	1	SPRING,
17	26224	2	WASHER, 1-25/32 x 2-1/2 x 0.060 in
18	704377	1	WASHER, 1-25/32 x 3-5/16 x 3/16 in
19	50519	1	WASHER, 1.58 x 2-1/4 x 0.060 in
20	112041R91	1	BEARING, BALL,
21	37184	1	RING, SNAP,
22	495-11053	3	WASHER, 1/2", SAE,
23	163024	2	SEAL,
24	681902	1	SPRING,
25	435-5616	2	PIN, GROOVED, 3/16" x 1", Type E,
26	681650	1	ROD,
27	572820	1	BREATHER,
28	444030	1	REDUCER, 1/2"-14 NPTF x 1/8"-27 Fem NPTF,
29	217-465	2	PLUG, DRAIN, Hex Soc, 1/2"-14, NPTF,
30	425-106	9	NUT, 3/8"-16, G5,
31	492-11038	7	WASHER, LOCK, 3/8",
32	86980130	1	HOUSING,
33	42447	1	RING, SNAP,
34	2031	2	BEARING, BALL,
35	781754	2	RING,
36	681627	1	GEAR, 32T
37	113-250	2	BOLT, Hex, 3/8"-16 x 2 1/2", G5, Full Thd,



09A-23 FIELD TRACKER® - SUPPORT, FEEDER PIVOT

Ref	Part Number	Qty	Description
1	197389A3	1	FRAME ASSY,
2	433-1032	4	BOLT, CARRIAGE, Short NK, 5/8"-11 x 2", G5,
3	238369A1	1	STOP, Right Hand
3	238370A1	1	STOP, Left Hand
4	434-1032	2	BOLT, CARRIAGE, Short NK, 5/8"-11 x 2", G5, Full Thd,
5	492-11062	2	WASHER, LOCK, 5/8",
6	425-1010	2-3	NUT, 5/8"-11, G5,
7	100487A1	2-3	LINK,
8	1324294C1	2-3	LINK, CONNECTING, A557
9	1329837C2	4-6	PIN,



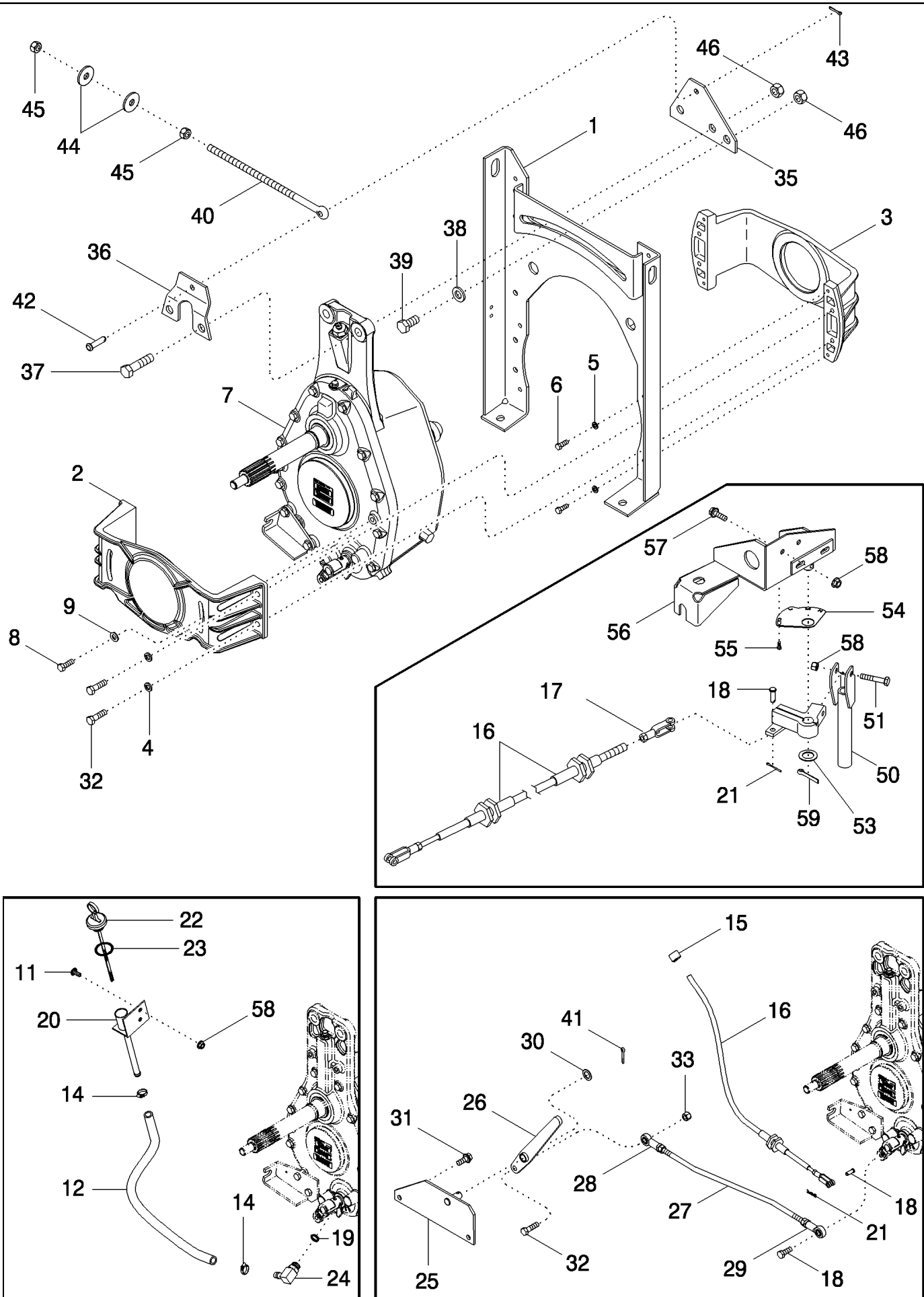
09A-24 FIELD TRACKER® - SUPPORT, HEADER PIVOT

Ref	Part Number	Qty	Description
	144255A3	1	SUPPORT, Inc. 1 - 8
1	NSS	1	NOT SERVICED SEPARATELY, Support
2	100274A1	1	SUPPORT,
3	151-559	7	RIVET, Pop, 3/16" x .700",
	416757A1	1	KIT, Slide, Inc. 4 - 8
4	350017A1	2	SLIDE, Horizontal
5	350018A1	2	SLIDE, Vertical
6	461-7258	6	SCREW, Hex Soc But Hd, 1/4"-20 x 1/2",
7	231-5144	6	NUT, Flg, USR, 1/4"-20,
8	151-570	6	RIVET, Pop, 1/4" x 3/4",
9	100287A1	2	STOP,
10	413-828	4	BOLT, Hex, 1/2"-13 x 1 3/4", G5,
11	231-4218	4	NUT, LOCK, 1/2"-13, GB,
12	108739A1	2	SEAL,
13	281-5488	6	SCREW, SELF TAPPING, Hex Wash Hd, 5/16"-18 x 1/2",
14	495-11041	6	WASHER, 3/8", SAE,
15	108740A1	2	SEAL,
16	108645A2	3	STRIP, 300 mm (11-13/16 in)
16	226606A2	1	STRIP, 210 mm (8-1/4 in)
16A	495-61020	1	WASHER, 13/64" x 1/2" x .060", (Not Shown)
17	144934A1	2	GUARD,
18	144935A2	2	STRAP, 370 mm (14-9/16 in)
19	390747A1	26	RIVET, 3/16 x 0.78 in
20	100295A1	2	HANDLE,
21	411-572	2	BOLT, CARRIAGE, Short NK, 5/16"-18 x 4 1/2", G2,
22	492-11031	2	WASHER, LOCK, 5/16",
23	425-105	2	NUT, 5/16"-18, G5,
24	87029779	2	SEAL, 292 mm (11-1/2 in), Cut From 1330108CX
25	177141C1	2	PIN,
26	495-81175	4	WASHER, 21/32" x 1" x .120",
27	438-11616	2	PIN, LOCK, 1/4" x 1", Slotted,
28	1338021C1	2	PIN,
29	240586A2	1	SUPPORT,
30	240587A1	1	SUPPORT,
31	413-1680	1	BOLT, Hex, 1"-8 x 5", G5,
32	232-53116	1	NUT, LOCK, Flg, 1"-8,
33	936727R1	2	WASHER, 1-1/32 x 2-1/4 x 1/4
34	240613A2	1	SPACER,
35	434-820	4	BOLT, CARRIAGE, Short NK, 1/2"-13 x 1 1/4", G5, Full Thd,
36	433-872	4	BOLT, CARRIAGE, Short NK, 1/2"-13 x 4 1/2", G5,
37	231-5148	8	NUT, Flg, USR, 1/2"-13,
38	140767A2	2	HINGE,
39	140768A4	1	STEP, Inc. 24

09A-24 FIELD TRACKER® - SUPPORT, HEADER PIVOT

Ref	Part Number	Qty	Description
40	477-73112	8	BOLT, Slotted Tr Hd, 5/16"-18 x 3/4",
40	477-73812	8	SCREW, Sltd Serr Truss Hd, 3/8" x 3/4",
41	231-5145	8	NUT, Flg, USR, 5/16"-18,
41	231-5146	8	NUT, Flg, USR, 3/8"-16,
42	416756A1	1	KIT, Slide Angle
43	87409088	1	DEFLECTOR, Field Tracker

09B-01 ROTOR DRIVE - GEARBOX MOUNTING



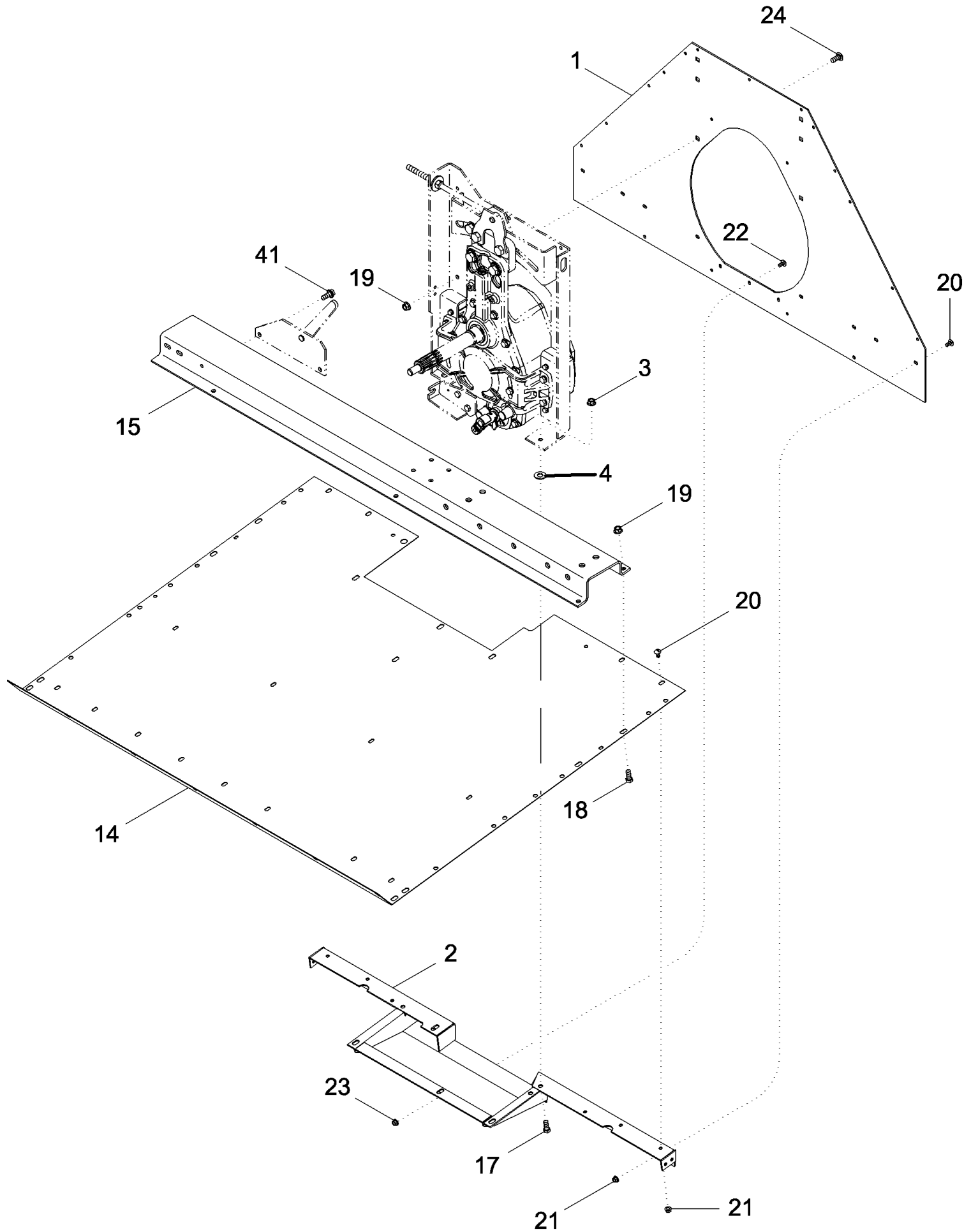
09B-01 ROTOR DRIVE - GEARBOX MOUNTING

Ref	Part Number	Qty	Description
1	87615040	1	SUPPORT, Rotor Gearbox
2	87406698	1	SUPPORT, Rear
3	87406699	1	SUPPORT, Front
4	80679	8	WASHER, LOCK, 1/2",
5	492-11038	4	WASHER, LOCK, 3/8",
6	413-616	4	BOLT, Hex, 3/8"-16 x 1", G5, Full Thd,
7	87331237	1	GEARBOX, , See Figure 09B-03
8	614-12040	2	BOLT, Hex, M12 x 40, 8.8, Full Thd,
9	896-11012	2	WASHER, M13.5 x 24.5 x 3, HT,
10	413-828	4	BOLT, Hex, 1/2"-13 x 1 3/4", G5,
11	477-73112	2	BOLT, Slotted Tr Hd, 5/16"-18 x 3/4",
12	194043C1	1	HOSE,
13	163493C1	1	STRIP,
14	214-1706	2	CLAMP, HOSE, #6, 0.44/0.78 Type M Worm,
15	515-23254	1	CLAMP, 1", Insul, 3/8" Bolt,
16	236859A2	1	CABLE, Shift, Inc. 30A
17	213-325	2	CLEVIS, 5/16 NF
18	427-5094	1	PIN, CLEVIS, 5/16" x .940",
19	237-6008	1	O-RING, 8-1, 90 Duro, .644" ID x .087" Thk,
20	193946C1	1	TUBE, Assembly
21	432-612	2	PIN, SPLIT (COTTER), 3/32" x 3/4",
22	194066C91	1	DIPSTICK, Inc. 35A
23	238-5210	2	O-RING, -210, 70 Duro, .734" ID x .139" Thk,
24	217-348	1	FITTING, 90e, 1/2" Hose x 3/4"-16 ORB Beaded,
25	87400381	1	GUIDE, Shift Handle
26	87528912	1	HANDLE,
27	87304527	1	SHIFT RAIL, Rod, Inc. 28, 29
28	86582884	2	END,
29	425-118	2	NUT, 1/2"-20, G5,
30	495-81037	1	WASHER, 25/32" x 1 1/4" x .060",
31	413-820	1	BOLT, Hex, 1/2"-13 x 1 1/4", G5, Full Thd,
32	413-828	1	BOLT, Hex, 1/2"-13 x 1 3/4", G5,
33	232-4118	1	NUT, LOCK, 1/2"-13, GC,
34	86991660	1	PLATE, Gearbox Spacer
35	87406697	1	PLATE,
36	87406696	1	BRACKET, Bracket
37	426-1248	2	BOLT, Hex, 3/4"-10 x 3", G8,
38	496-21081	3	WASHER, 13/16" x 1 1/2" x .179", HDN,
39	426-1224	1	BOLT, Hex, 3/4"-10 x 1 1/2", G8,
40	188143C1	1	EYEBOLT, Eyebolt
41	432-1620	1	PIN, SPLIT (COTTER), 1/4" x 1 1/4",
42	439-5832	1	PIN, HEADED, 1/2" x 2",
43	432-1216	1	PIN, SPLIT (COTTER), 3/16" x 1",

09B-01 ROTOR DRIVE - GEARBOX MOUNTING

Ref	Part Number	Qty	Description
44	495-81030	2	WASHER, 21/32" x 2" x .179",
45	425-1010	2	NUT, 5/8"-11, G5,
46	429-1012	3	NUT, 3/4"-10, G8,
47	426-1256	2	BOLT, Hex, 3/4"-10 x 3 1/2", G8,
48	232-53112	2	NUT, LOCK, Flg, 3/4"-10,
49	254982A2	1	SHAFT, 3 Speed Gearbox
50	276073A2	1	HANDLE, 3 Speed Rotor Shift
51	413-528	1	BOLT, Hex, 5/16"-18 x 1 3/4", G5,
52	280736	1	NUT, LOCK, 5/16"-18, GC,
53	495-81039	1	WASHER, 25/32" x 1 1/4" x .120",
54	255651A5	1	PLATE, Shift Indicator
55	281-1458	1	SCREW, SELF TAPPING, Hex Wash Hd, #10 x 1/2",
56	253851A3	1	SUPPORT, Front Shift
57	409-7516	2	BOLT, Hex Flg, 5/16"-18 x 1", Serr,
58	231-5145	2	NUT, Flg, USR, 5/16"-18,
59	432-1620	1	PIN, SPLIT (COTTER), 1/4" x 1 1/4",

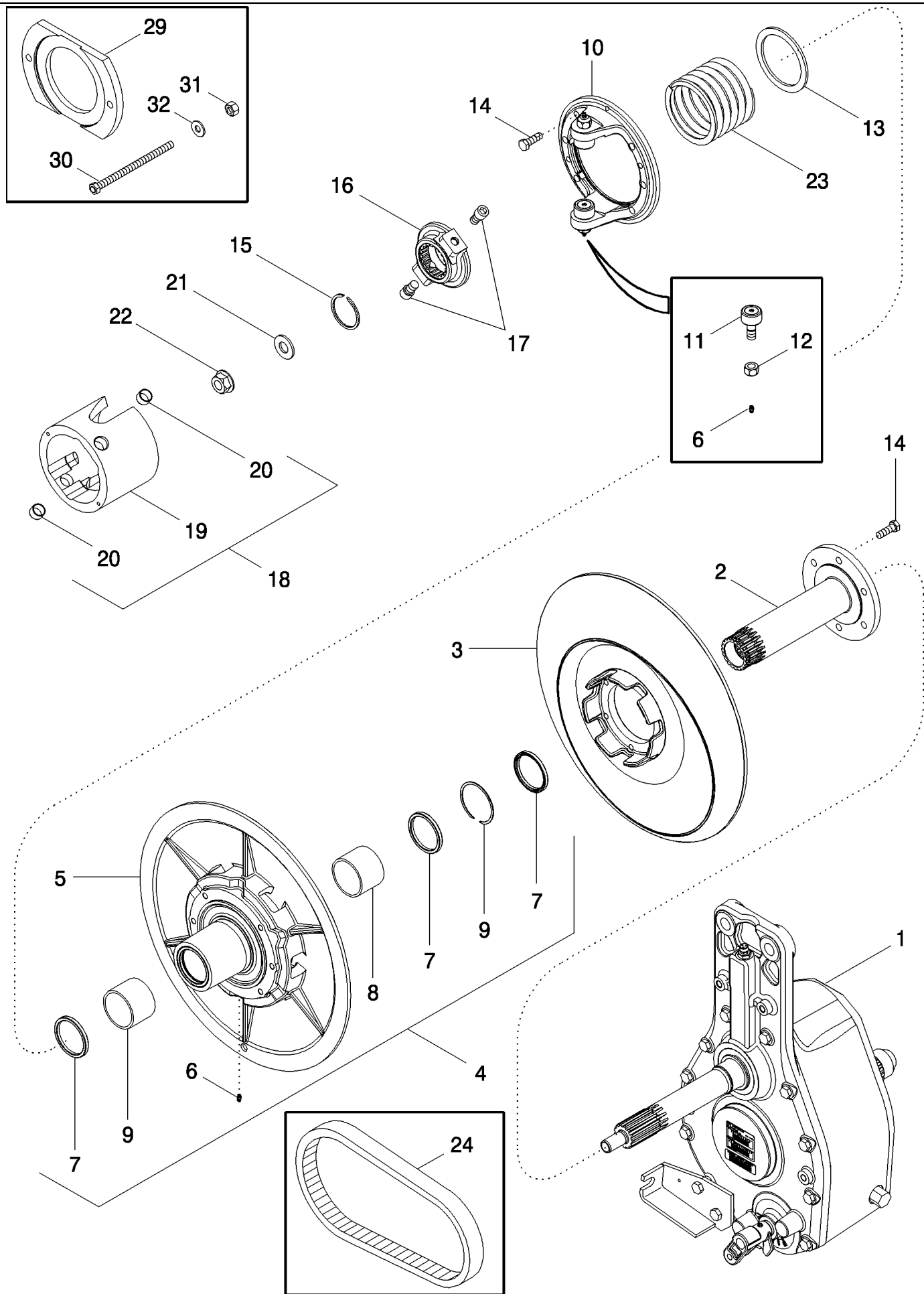
09B-02 ROTOR DRIVE - MOUNTING SUPPORTS



09B-02 ROTOR DRIVE - MOUNTING SUPPORTS

Ref	Part Number	Qty	Description
1	443254A1	1	SHEET, Rear Rotor Discharge
2	443242A1	1	SUPPORT, Angle
3	231-5348	2	NUT, LOCK, Flg, 1/2"-13,
4	333040	2	WASHER,
14	87615042	1	SHEET, Engine Deck
15	112454A5	1	SUPPORT, Jackshaft
17	409-7824	2	BOLT, Hex Flg, 1/2"-13 x 1 1/2", Serr,
18	409-7820	2	BOLT, Hex Flg, 1/2"-13 x 1 1/4", Serr,
19	231-5148	14	NUT, Flg, USR, 1/2"-13,
20	477-73812	16	SCREW, Slt'd Serr Truss Hd, 3/8" x 3/4",
21	231-5146	16	NUT, Flg, USR, 3/8"-16,
22	477-73112	3	BOLT, Slotted Tr Hd, 5/16"-18 x 3/4",
23	231-5145	5	NUT, Flg, USR, 5/16"-18,
24	434-820	6	BOLT, CARRIAGE, Short NK, 1/2"-13 x 1 1/4", G5, Full Thd,
41	413-820	2	BOLT, Hex, 1/2"-13 x 1 1/4", G5, Full Thd,

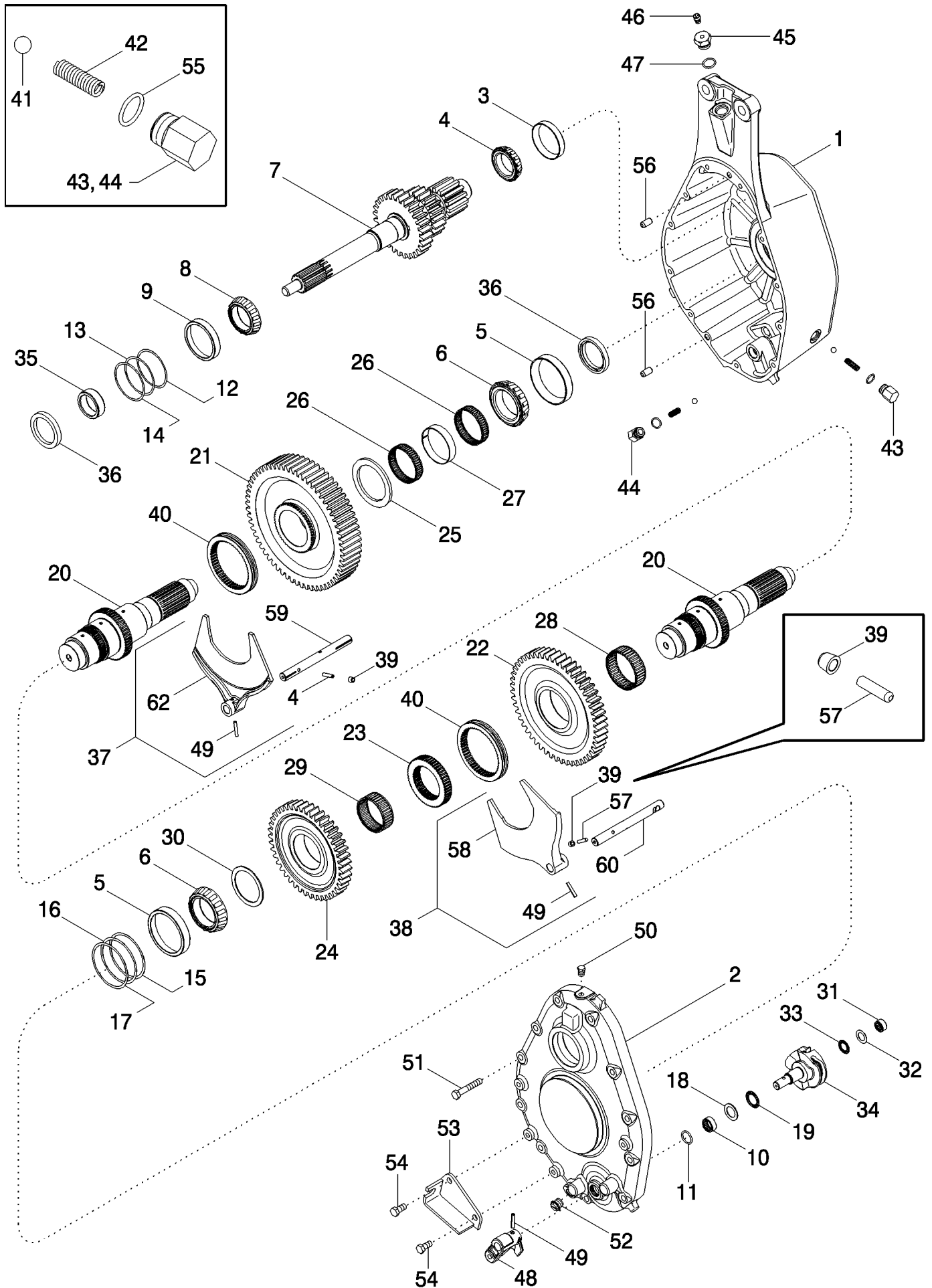
09B-03 ROTOR DRIVE - PULLEY AND CAM



09B-03 ROTOR DRIVE - PULLEY AND CAM

Ref	Part Number	Qty	Description
1	87331237	1	GEARBOX, , See Figure 09B-04
2	184489C1	1	HUB, Fixed Half
3	87399554	1	PULLEY, Fixed
4	413163A1	1	PULLEY, Variable, Inc. 5 - 9
5	NSS	1	NOT SERVICED SEPARATELY, Pulley
6	219-87	3	NIPPLE, LUBE, 1/4"-28 x .56" lg, Self-Tap,
7	193965C92	3	SEAL,
	87400246	1	KIT, Bushing Service, Inc. 7, 8, and Adhesive and Instructions
8	NSS	2	NOT SERVICED SEPARATELY, Bushing
9	537602R1	1	RING,
10	411411A1	1	HUB, Cam Follower
11	86582880	2	FOLLOWER, CAM,
12	425-1110	2	NUT, 5/8"-18, G5,
13	188210C91	1	FOLLOWER, CAM,
14	310-1824	12	BOLT, Locking, 1/2"-13 x 1 1/2", G8,
15	360171R1	1	RING,
16	411410A1	1	HUB, Sensing Cam
17	194167C1	2	SCREW, 5/8 x 1
18	87436839	1	CAM, Torque Sensing, Inc. 19, 20
19	NSS	1	NOT SERVICED SEPARATELY, Cam
20	193941C1	2	BUSHING,
21	370255R2	1	WASHER,
22	1315288C1	1	NUT, 7/8; 8
23	413160A1	1	SPRING,
24	87301455	1	BELT, Rotor Drive, Seamless
29	86992943	1	PLATE,
30	86992947	2	ROD, Torque Sensing, Inc. (1) 9803187 Nut
31	429-108	4	NUT, 1/2"-13, G8,
32	495-11053	2	WASHER, 1/2", SAE,

09B-04 ROTOR DRIVE - HOUSING, GEAR



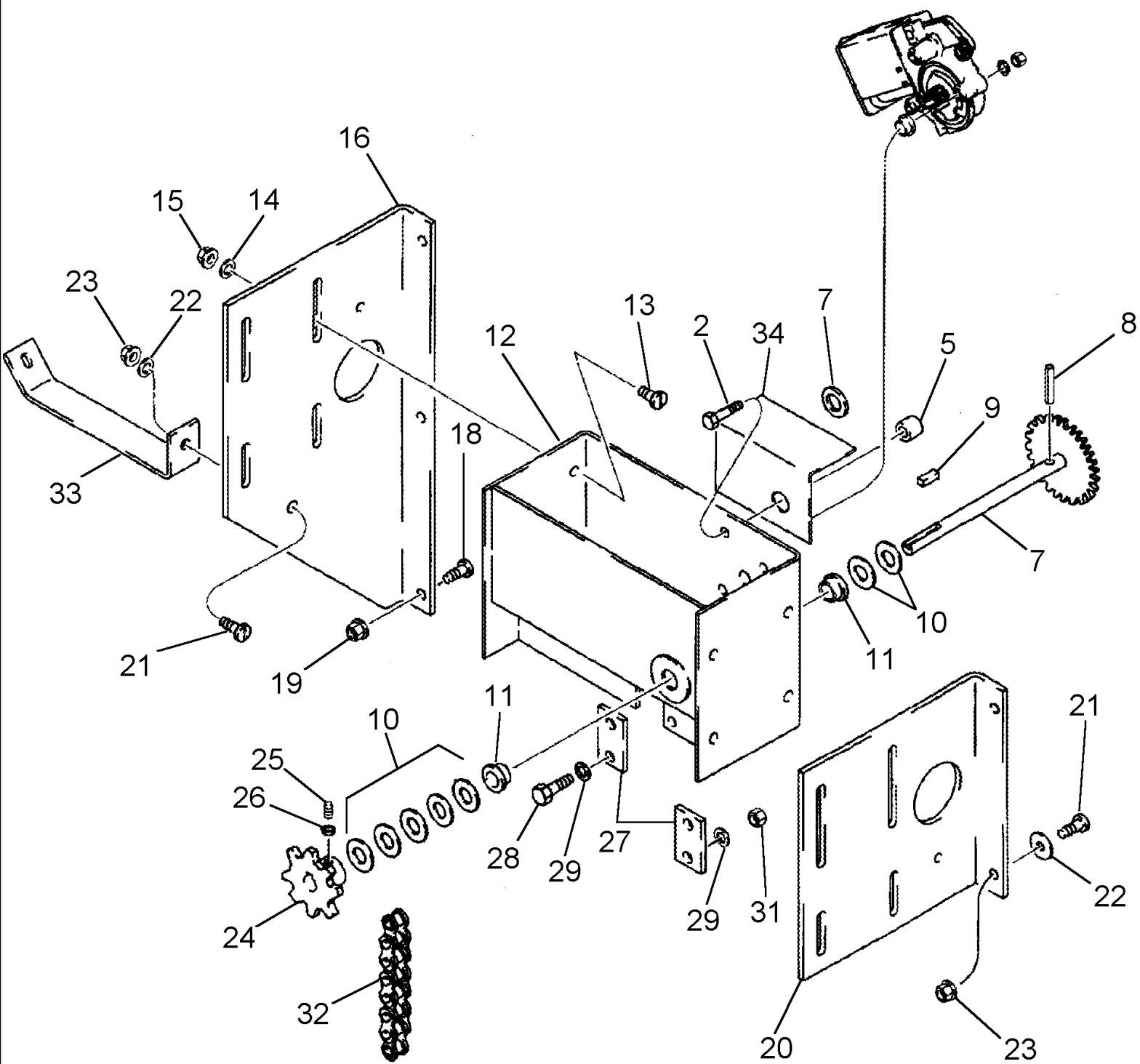
09B-04 ROTOR DRIVE - HOUSING, GEAR

Ref	Part Number	Qty	Description
	87331237	1	GEARBOX, Inc. 1- 60
1	87330128	1	HOUSING, Inc. 56
2	87330131	1	COVER, Rotor Drive Gear Case
3	130503H	1	BEARING, CUP,
4	300426R91	1	BEARING, CONE,
5	29214H	2	BEARING, CUP,
6	80572270	2	BEARING, CONE,
7	451231A2	1	SHAFT, Rotor Drive Input
8	87326176	1	BEARING, ROLLER, TAPERED,
9	114979H	1	BEARING, CUP,
10	96423C1	1	BEARING, NEEDLE,
11	238-5214	1	O-RING, -214, 70 Duro, .984" ID x .139" Thk,
12	253178A1	1	SHIM, Input Shaft 91.5 OD x 0.381 THK
13	253177A1	1	SHIM, Input Shaft 91.5 OD x 0.254 THK
14	337374A1	1	SHIM, Input Shaft 91.5 OD x 0.203 THK
15	258819A1	1	SHIM, Input Shaft 109 OD x 0.381 THK
16	258818A1	1	SHIM, Input Shaft 109 OD x 0.254 THK
17	337375A1	1	SHIM, Input Shaft 109 OD x 0.203 THK
18	T40066	1	WASHER, Thrust
19	G13609	1	BEARING, THRUST, Needle, Thrust
20	87367599	1	SHAFT, Rotor Drive Output
21	87330133	1	GEAR, Low Driven 61T
22	87326186	1	GEAR, Mid Driven 51T
23	451244A1	1	COLLAR, Ring, Spline
24	87326187	1	GEAR, High Driven 43T
25	451245A2	1	WASHER, THRUST,
26	235584A1	2	BEARING, NEEDLE,
27	451255A1	1	SPACER, Low Driven Gear Bearing
28	235591A1	1	BEARING, NEEDLE,
29	235594A1	1	BEARING, NEEDLE,
30	235595A2	1	WASHER, THRUST,
31	A27999	1	BEARING, NEEDLE,
32	396795R1	1	WASHER, THRUST, Thrust Washer
33	324105R91	1	BEARING, THRUST, Needle
34	307483A3	1	CAM, Gear Shift
35	194047C2	1	BUSHING, Input Shaft
36	194051C1	2	SEAL, Rotor Gear Case
37	451249A1	1	SHIFT RAIL, Low/Mid Shift
38	451253A1	1	SHIFT RAIL, High Shift
39	236851A1	2	ROLLER, Cam, 3 Spd Rotor Drive
40	451240A1	2	COLLAR, Shift
41	211-1014	2	BALL, 7/16" Dia, In Grd; 24
42	295537A1	2	SPRING, Detent Ball

09B-04 ROTOR DRIVE - HOUSING, GEAR

Ref	Part Number	Qty	Description
43	307410A1	1	PLUG, 7/8 x 14
44	451237A1	1	PLUG, 7/8 -14
45	87326175	1	PLUG, Adapter Vent
46	219-433	1	BREATHER, 1/8"-27, Short,
47	237-6012	1	O-RING, 12-1, 90 Duro, .924 ID x .118" Thk,
48	87402650	1	ARM, Cam Shift 3 Spd Rotor Gearbox
49	38-21622	1	PIN, 1/4" x 1 3/8", Coiled,
50	86568834	1	PLUG, Hex Hd, 1/4"-18 NPTF,
51	828-12070	11	BOLT, Hex, M12 x 70, 10.9,
52	353-779	1	PLUG, Sltd Hd, 3/4"-16, w/O-Ring,
53	451241A2	1	BRACKET, Shift Cable
54	628-12025	2	BOLT, Hex, M12 x 25, 10.9, Full Thd,
55	237-6010	1	O-RING, 10-1, 90 Duro, .755" ID x .097" Thk,
56	37-1816	2	DOWEL, 1/2" x 1",
57	37-1420	2	DOWEL, 1/4" x 1 1/4",
58	451251A1	2	FORK, SHIFTER,
59	451250A1	1	SHIFT RAIL, Lo-Mid Gear
60	451254A1	1	SHIFT RAIL, Hi Gear
61	87525964	1	SHIM, 83.0 x 91.5 x 0.076 (Not Shown)
62	87525965	1	SHIM, 98.5 x 109.0 x 0.076 (Not Shown)

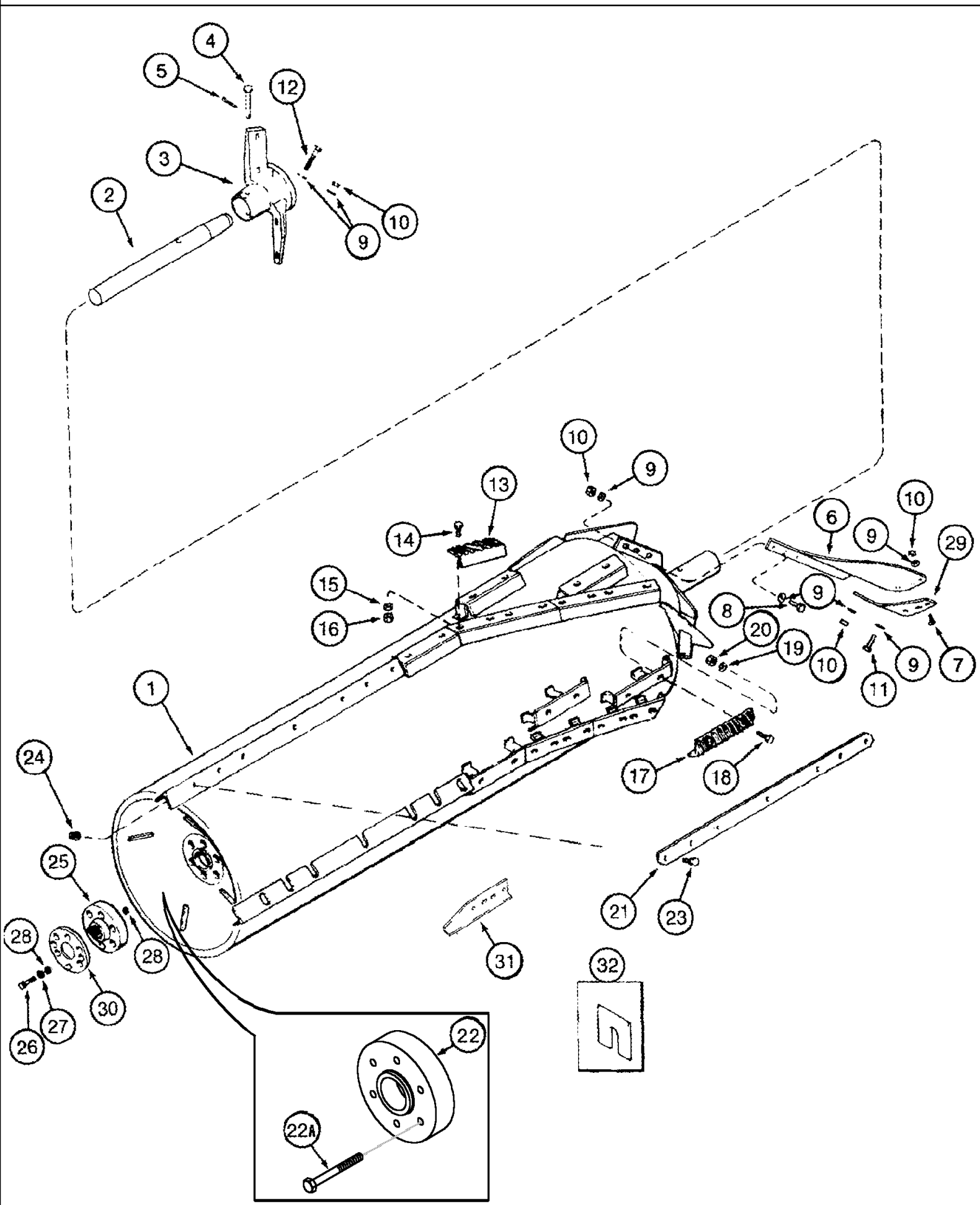
09B-05 ROTOR DRIVE - SPEED ADJUSTMENT



09B-05 ROTOR DRIVE - SPEED ADJUSTMENT

Ref	Part Number	Qty	Description
1	111787A2	1	MOTOR, ELECTRIC, Variable Speed
2	413-432	2	BOLT, Hex, 1/4"-20 x 2", G5,
3	492-11025	4	WASHER, LOCK, 1/4",
4	425-104	2	NUT, 1/4"-20, G5,
5	113485A1	2	SPACER, 17 mm
6	55825C1	1	BUSHING,
7	194338C2	1	GEAR, Rotor Speed Adjustment, BSN HAJ303001
7	87364294	1	GEAR, Rotor Speed Adjustment, ASN HAJ303001
8	38-11020	1	PIN, LOCK, 5/32" x 1 1/4", Slotted,
9	Q5024	1	KEY, 3/16" Sq x 1", Par,
10	495-11066	10	WASHER, 5/8", SAE,
11	55826C1	2	BUSHING,
12	183227C2	1	SUPPORT, Motor Bracket, BSN HAJ303001
12	87364290	1	SUPPORT ASSY., Motor Bracket, ASN HAJ303001
13	409-7616	8	BOLT, Hex Flg, 3/8"-16 x 1", Serr,
14	495-81135	8	WASHER, 13/32" x 1" x .120",
15	231-5146	8	NUT, Flg, USR, 3/8"-16,
16	188215C3	1	SUPPORT, Left Hand
18	477-73812	3	SCREW, Sltd Serr Truss Hd, 3/8" x 3/4",
19	231-5146	3	NUT, Flg, USR, 3/8"-16,
20	194336C2	1	SUPPORT, Right Hand
21	477-73816	4	SCREW, Sltd Serr Truss Hd, 3/8" x 1",
22	495-81143	2	WASHER, 13/32" x 1 1/2" x .120",
23	231-5146	4	NUT, Flg, USR, 3/8"-16,
24	194337C1	1	SPROCKET, 8 T
25	485-12512	2	SET SCREW, Sq Hd, 1/4"-20 x 3/4",
26	425-144	2	NUT, Jam, 1/4"-20, G5,
27	1302173C1	2	PAD,
28	413-624	2	BOLT, Hex, 3/8"-16 x 1 1/2", G5,
31	231-4116	2	NUT, LOCK, 3/8"-16, GB,
32	617107R91	1	CHAIN, Drive, Use 2040 (31), 457113R91 (1), 457114R92 (2)
33	188216C1	1	SUPPORT, Left hand
34	199704A1	1	GUARD,
35	1545944C1	1	SEAL, Trim, 129 mm (5 in), Cut From 1330108CX, (Not Shown)
35	1327979C1	1	MOLDING, 152 mm (6 in), Cut From 196707C1, (Not Shown)

09B-06 ROTOR ASSY - CORN AND GRAIN

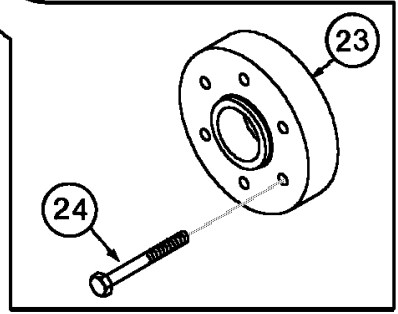
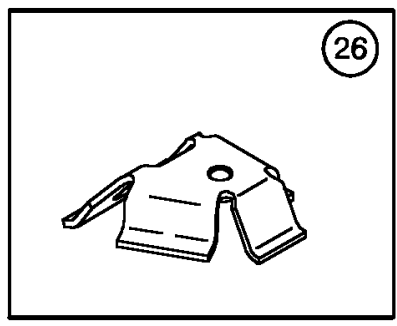
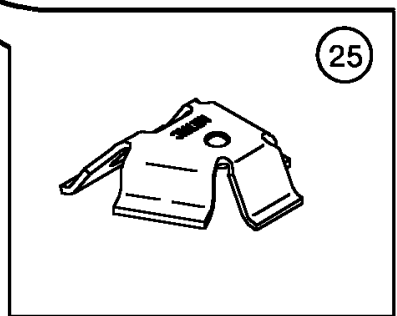
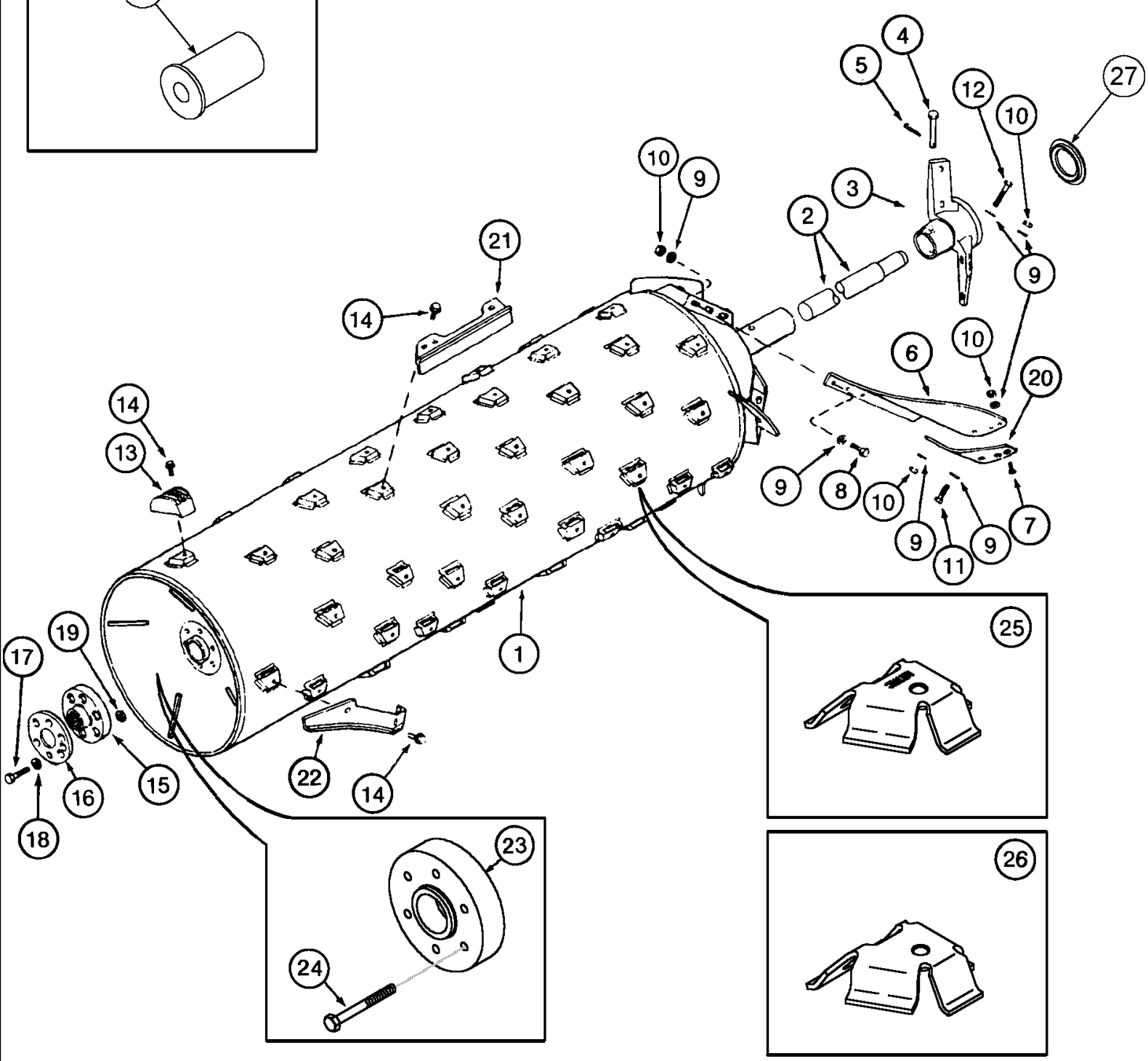
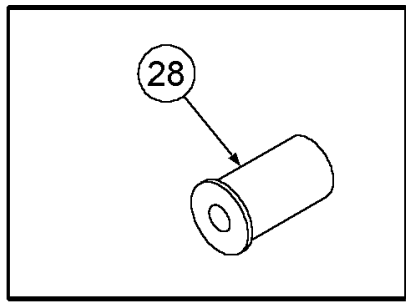


09B-06 ROTOR ASSY - CORN AND GRAIN

Ref	Part Number	Qty	Description
	256608A1	1	ROTOR, Standard Grain, Inc. 1 - 21, 23 - 30, Without Chrome Bars
	256614A1	1	ROTOR, Standard Grain, Inc. 1 - 21, 23 - 30, With Chrome Bars
1	NSS	1	NOT SERVICED SEPARATELY, Rotor
2	191545C2	1	SHAFT,
3	184460C1	1	IMPELLER,
4	439-51272	1	PIN, HEADED, 3/4" x 4 1/2", G5,
5	432-1620	1	PIN, SPLIT (COTTER), 1/4" x 1 1/4",
	1957445C3	1	SET OF BLADES, Rotor Blade, Inc. 6 - 12
6	1309114C2	2	BLADE, Rotor
7	87301496	6	SCREW, Hex Soc Hd, 1/2"-13 x 1 1/2",
8	426-828	6	BOLT, Hex, 1/2"-13 x 1 3/4", G8,
9	396-41053	26	WASHER, 17/32" x 1 1/4" x .188", HDN,
10	199528A1	16	NUT, 1/2; 8
11	326-844	2	BOLT, Hex, 1/2"-13 x 2 3/4", G8,
12	326-848	2	BOLT, Hex, 1/2"-13 x 3", G8,
13	1308830C2	16	RASP BAR, Rasp, Used with 256608A1
13	1324581C3	16	RASP BAR, Rasp, Chrome, Used with 256614A1
13	1994892C1	16	RASP BAR, Rasp, Smooth, Helical
14	426-620	32	BOLT, Hex, 3/8"-16 x 1 1/4", G8, Full Thd,
15	86624186	32	WASHER, 13/32" x 1 1/8" x .134",
16	232-4146	32	NUT, LOCK, 3/8"-16, GC,
17	1308668C1	12	RASP BAR, Rasp, Straight, Used with 256608A1
17	1324582C2	12	RASP BAR, Rasp, Straight, Chrome, Used with 256614A1
17	1994890C1	4	RASP BAR, Rasp, Smooth, Straight
18	426-620	24	BOLT, Hex, 3/8"-16 x 1 1/4", G8, Full Thd,
19	86624186	24	WASHER, 13/32" x 1 1/8" x .134",
20	232-4146	24	NUT, LOCK, 3/8"-16, GC,
21	1303038C2	4	BAR, Rear, Straight, Used with 256608A1
21	1324580C2	4	BAR, Rear, Straight, Chrome, Used with 256614A1
	86990684	1	KIT, Kit, Rotor Drive Spacer, Inc. 22, 22A
22	443256A1	1	SPACER,
22A	326-880	6	BOLT, Hex, 1/2"-13 x 5", G8,
23	409-7620	28	BOLT, Hex Flg, 3/8"-16 x 1 1/4", Serr,
24	231-5146	28	NUT, Flg, USR, 3/8"-16,
25	1345307C1	1	COUPLING, Inc. 25A
25A	1345453C1	6	INSULATOR, RUBBER,
26	326-852	6	BOLT, Hex, 1/2"-13 x 3 1/4", G8,
27	396-41053	6	WASHER, 17/32" x 1 1/4" x .188", HDN,
28	195-81030	6	WASHER, 17/32 x 1-1/2 x 3/16
29	1309186C3	2	BAR, Wear
30	87363446	1	PLATE,
31	183335C3	4	SUPPORT, Extension, Rotor Rear Bar
	1324208C1	1	KIT, SHIM, Inc. 32

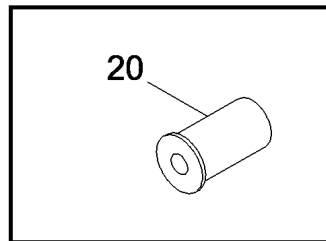
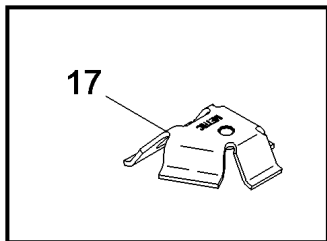
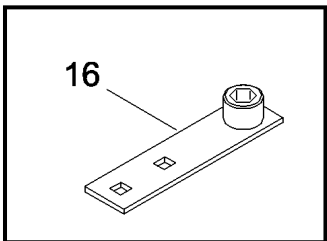
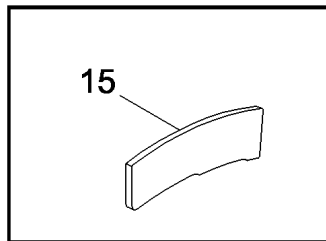
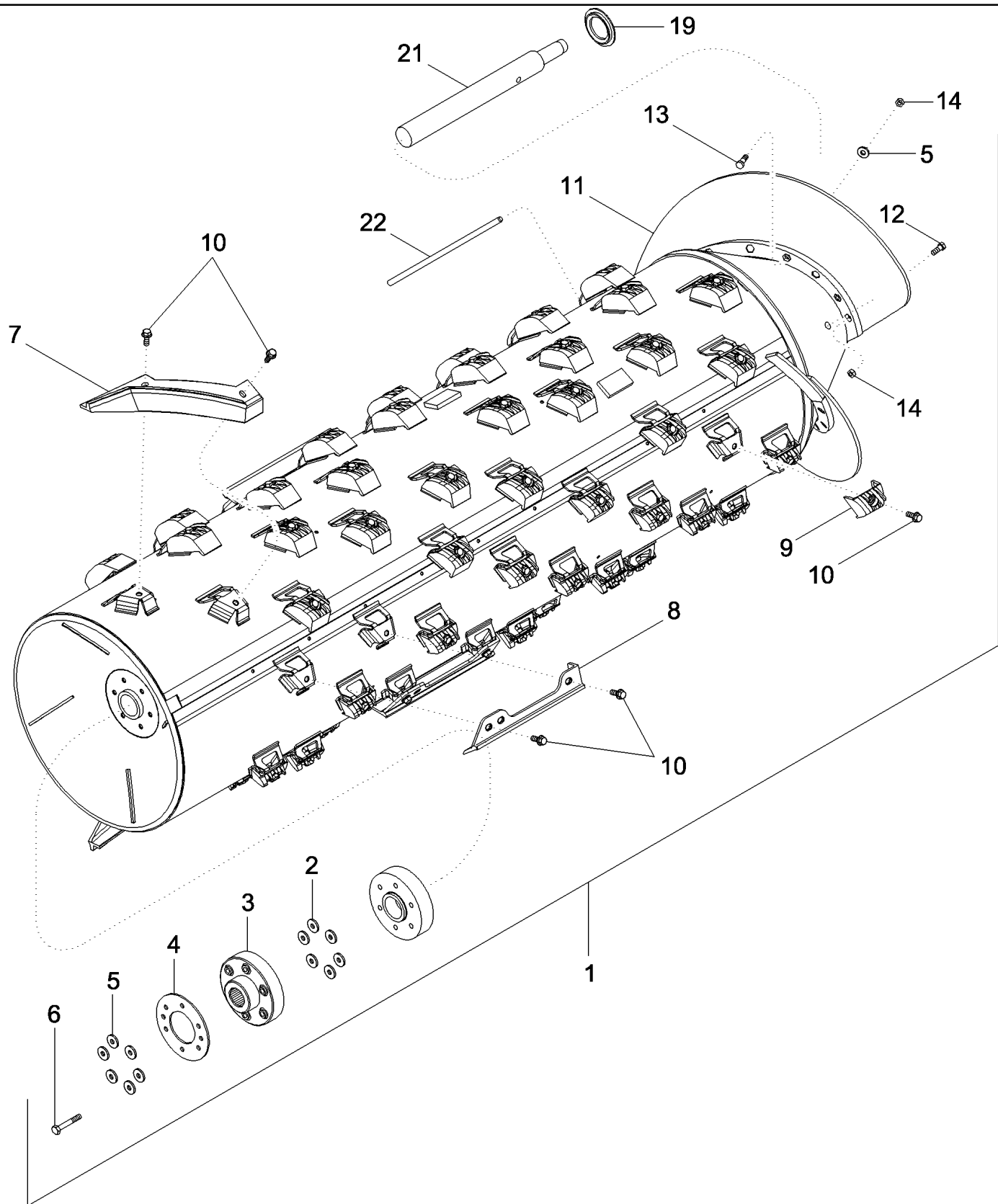
09B-06 ROTOR ASSY - CORN AND GRAIN

Ref	Part Number	Qty	Description
32	NSS	28	NOT SERVICED SEPARATELY, Shim, 0.254 mm (0.010 in)
32	NSS	28	NOT SERVICED SEPARATELY, Shim, 0.762 mm (0.030 in)
32	NSS	28	NOT SERVICED SEPARATELY, Shim, 1.346 mm (0.053 in)
32	NSS	28	NOT SERVICED SEPARATELY, Shim, 2.362 mm (0.093 in)
	87357079	1	KIT, SERVICE, AFX Rotor Front Shaft Stabilizer Ring, Inc. 27, 28
33	87427000	1	RING,
34	87361878	1	STABILIZER, Tool

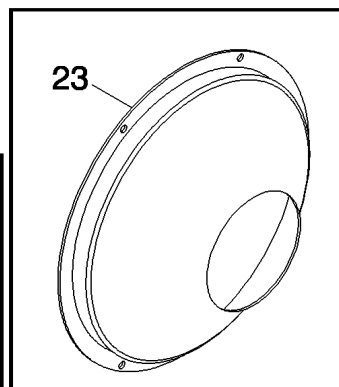
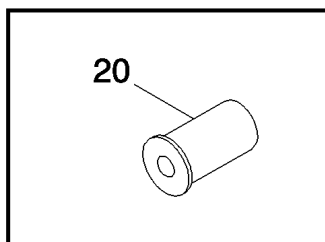
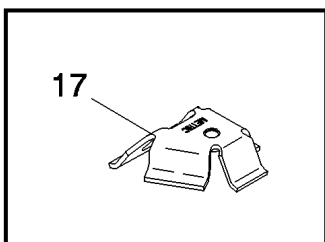
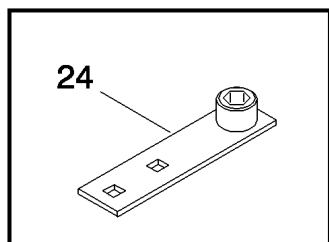
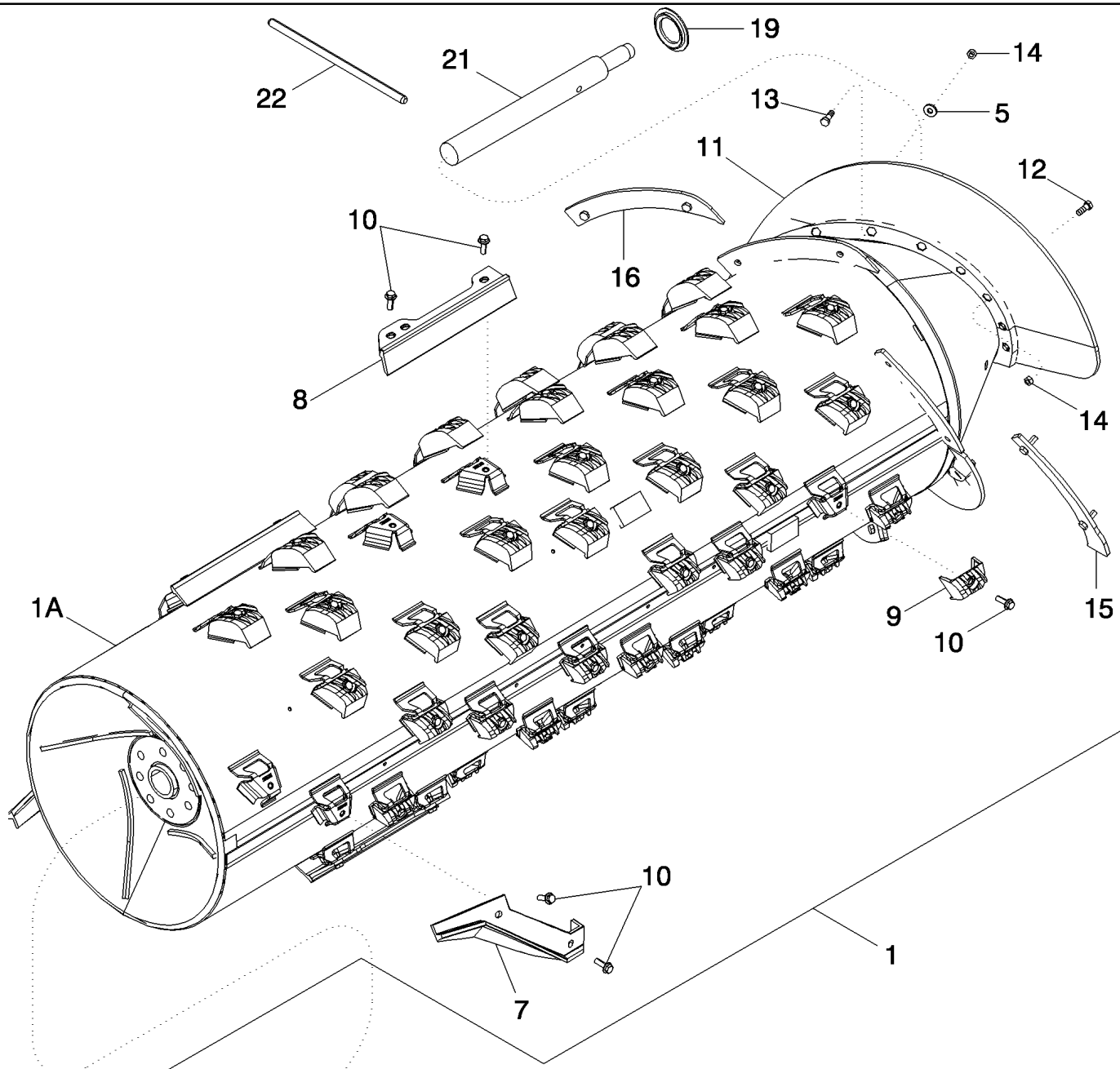


09B-07 ROTOR ASSY - SPECIALTY

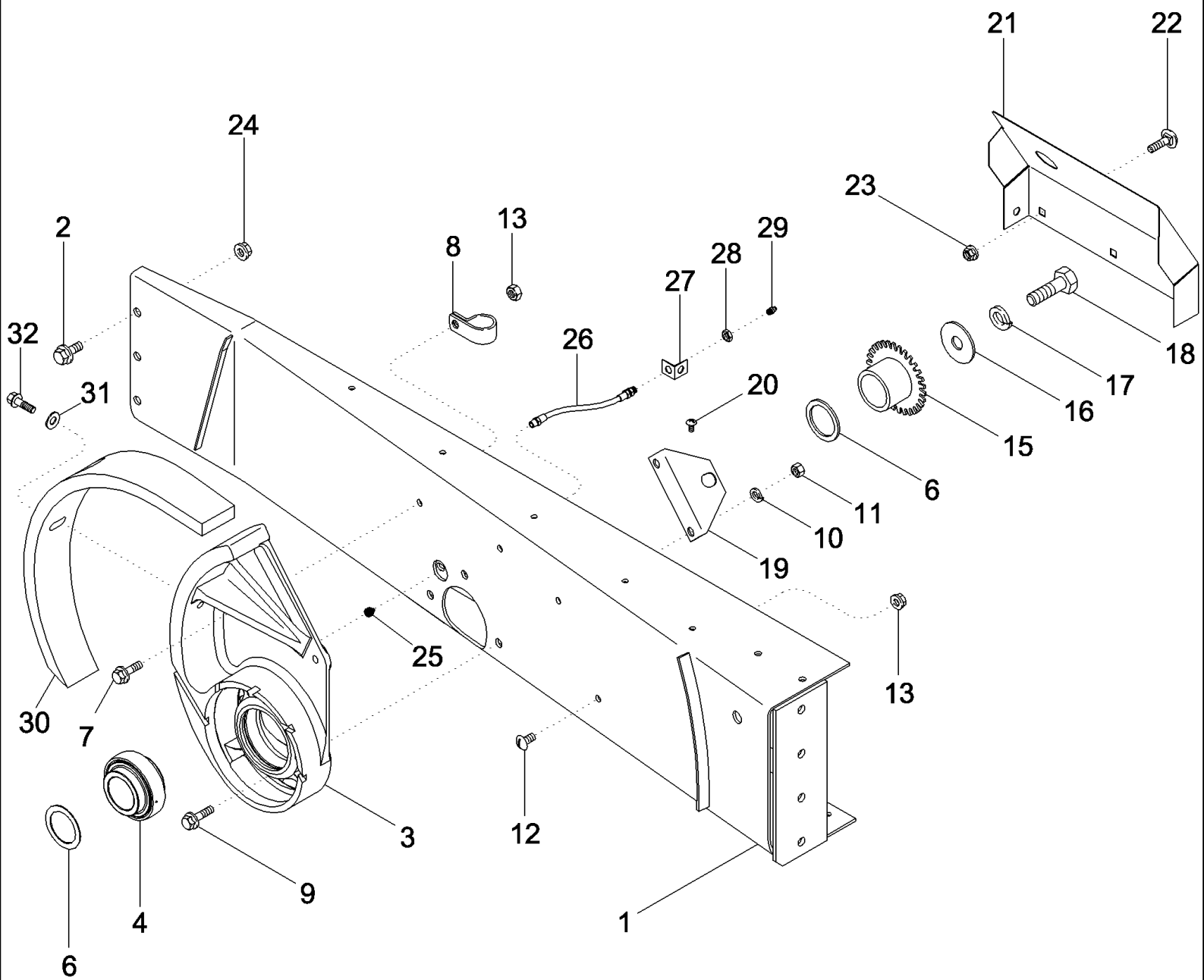
Ref	Part Number	Qty	Description
	87434967	1	ROTOR, Corn, Inc. 1 - 22
	87434966	1	ROTOR, Grain, Inc. 1 - 22
	352424A2	1	ROTOR, Rice, Extended Wear Chrome Bars, Inc. 1-22
1	NSS	1	NOT SERVICED SEPARATELY, ROTOR
2	191545C2	1	SHAFT,
3	184460C1	1	IMPELLER,
4	439-51272	1	PIN, HEADED, 3/4" x 4 1/2", G5,
5	432-1620	1	PIN, SPLIT (COTTER), 1/4" x 1 1/4",
	1957445C3	1	SET OF BLADES, Rotor Blade, Inc. 6 - 12
6	1309114C2	2	BLADE, Rotor, 30 in
7	87301496	6	SCREW, Hex Soc Hd, 1/2"-13 x 1 1/2",
8	426-828	6	BOLT, Hex, 1/2"-13 x 1 3/4", G8,
9	396-41053	26	WASHER, 17/32" x 1 1/4" x .188", HDN,
10	199528A1	16	NUT, 1/2; 8
11	326-844	2	BOLT, Hex, 1/2"-13 x 2 3/4", G8,
12	326-848	2	BOLT, Hex, 1/2"-13 x 3", G8,
13	1309336C2	58	RASP BAR, Without Rear Spike, Corn
13	278821A2	66	RASP BAR, Without Spike, Grain
13	111709A1	AR	RASP BAR, Rasp, Smooth, Optional
14	86981487	78	BOLT, Hex Flg, M12 x 35, 10.9, Full Thd,
15	1345307C1	1	COUPLING, Inc. 15A
15A	1345453C1	6	INSULATOR, RUBBER, (Not Shown)
16	87363446	1	PLATE,
17	326-852	6	BOLT, Hex, 1/2"-13 x 3 1/4", G8,
18	396-41053	6	WASHER, 17/32" x 1 1/4" x .188", HDN,
19	195-81030	6	WASHER, 17/32 x 1-1/2 x 3/16
20	1309186C3	2	BAR, Wear, Impeller Blade, Chrome
21	1318976C2	8	BAR, Straight Separator, Standard Wear Corn
21	86992047	4	BAR, Straight Separator, Extended Wear Grain
22	1327676C1	2	BAR, Helical Kicker, Standard Wear
22	86992048	2	BAR, Helical Kicker, Extended Wear
	86990684	1	KIT, Kit, Spacer, Inc. 23, 24
23	443256A1	1	SPACER,
24	326-880	6	BOLT, Hex, 1/2"-13 x 5", G8,
25	87281664	AR	SUPPORT, Rasp Bar w/Metric Nut, Accepts M12 Bolt, Serial No. HAJ0292001 and After
26	411421A2	AR	BRACKET, Rasp Bar w/Inch Nut, Accepts 1/2 in. Bolt, If Equipped
	87357079	1	KIT, SERVICE, AFX Rotor Front Shaft Stabilizer Ring, Inc. 27, 28
27	87427000	1	RING,
28	87361878	1	STABILIZER, Tool



Ref	Part Number	Qty	Description
	87432480	1	ROTOR, ASSY, AFX Speciality Corn, Standard Wear, Inc. 1 - 14
	87432245	1	ROTOR, ASSY, AFX Speciality Grain, Extended Wear, Inc. 1 - 14
	446449A2	1	ROTOR, ASSY, AFX Speciality Rice, Extended Wear, Inc. 1 - 14
1	NSS	1	NOT SERVICED SEPARATELY, ROTOR ASSY, With Supports and Nuts
2	195-81030	6	WASHER, 17/32 x 1-1/2 x 3/16
3	87406731	1	COUPLING, Rotor Drive, (23 Tooth Spline), Inc. 3A
3A	1345453C1	6	INSULATOR, RUBBER, (Not Shown)
4	87363446	1	PLATE, Rotor Load Ring
5	396-41053	24	WASHER, 17/32" x 1 1/4" x .188", HDN,
6	326-852	6	BOLT, Hex, 1/2"-13 x 3 1/4", G8,
7	1327676C1	2	BAR, Helical Kicker, Standard Wear
7	86992048	2	BAR, Helical Kicker, Extended Wear
8	1318976C2	8	BAR, Straight Separator, Standard Wear
8	86992047	4	BAR, Straight Separator, Extended Wear
9	1309336C2	62	RASP BAR, Without Rear Spike, Standard Wear
9	278821A2	70	RASP BAR, Without Spike, Extended Wear
9	278820A4	AR	RASP BAR, With Spike, Extended Wear, Rice
10	86981487	82	BOLT, Hex Flg, M12 x 35, 10.9, Full Thd,
	434525A3	1	KIT, AFX Rotor Inlet Flight with Extensions, (Standard Wear), Inc. 11 (2), 12 (4), 13 (12), 14 - 16, 5 (12), 15 (2)
	87519251	1	PACKAGE, REPAIR, AFX Rotor Inlet Flight with Extensions, (Extended Wear), Inc. 11 (2), 12 (4), 13 (12), 14 - 16, 5 (12), 15 (2)
11	NSS	2	NOT SERVICED SEPARATELY, FLIGHT, Inlet
12	326-820	4	BOLT, Hex, 1/2"-13 x 1 1/4", G8, Full Thd,
13	326-824	12	BOLT, Hex, 1/2"-13 x 1 1/2", G8, Full Thd,
14	199528A1	16	NUT,
15	446451A2	2	PLATE, Inlet Flight Extension
16	87417745	1	WRENCH, SPECIAL, Rasp Bar
17	87281664	AR	SUPPORT, Rasp Bar w/Metric Nut, Accepts M12 Bolt, Serial No. HAJ0292001 and After
	87357079	1	KIT, SERVICE, AFX Rotor Front Shaft Stabilizer Ring, Inc. 19, 20
19	87427000	1	RING,
20	87361878	1	STABILIZER, Tool
21	191545C2	1	SHAFT, Front
22	412366A1	1	PIN, Rotor Shaft

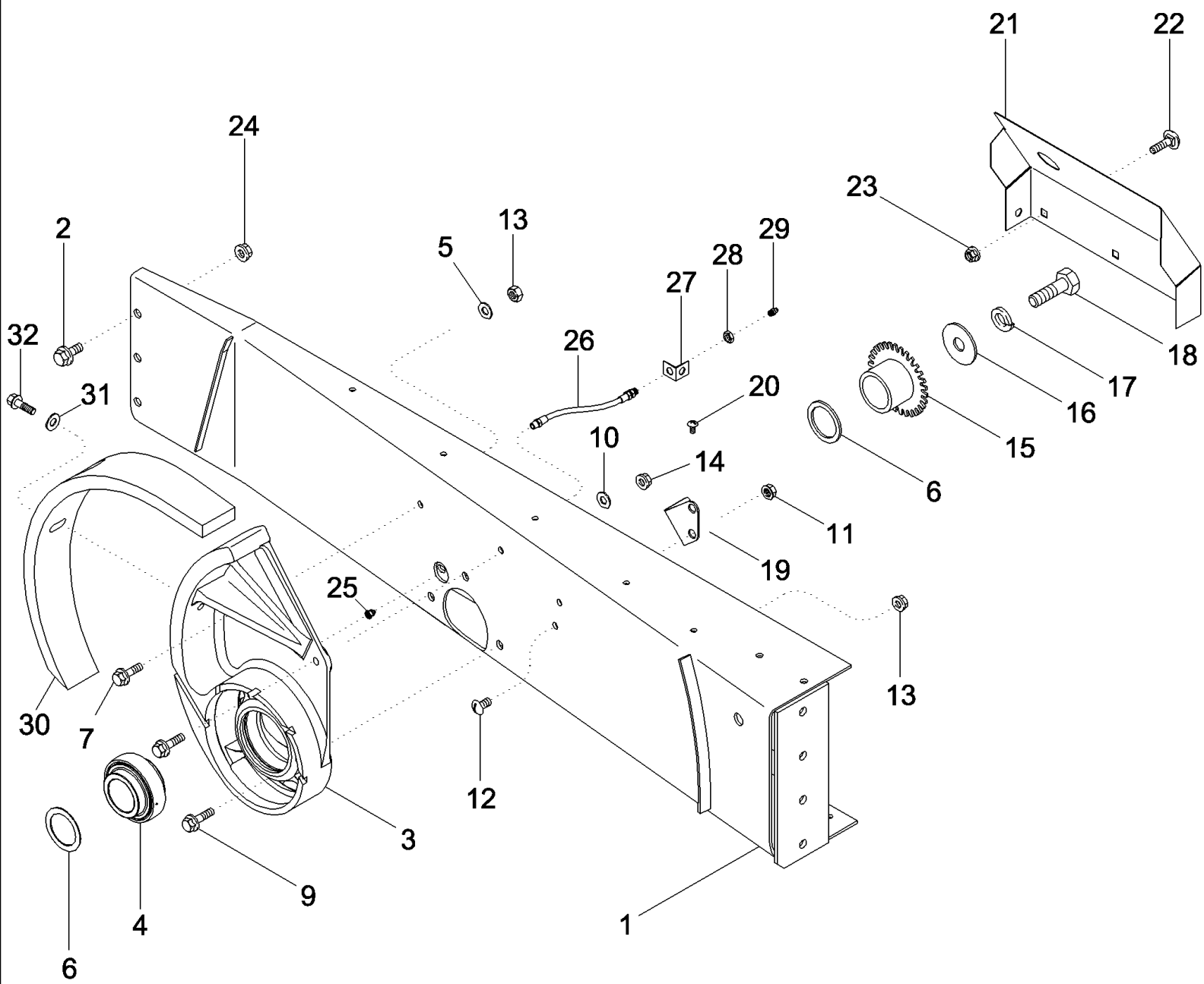


Ref	Part Number	Qty	Description
1	87636594	1	ROTOR ASSY., AFX Speciality Corn, Standard Wear, Inc. 1 - 14
1	87636590	1	ROTOR ASSY., AFX Speciality Grain, Standard Wear, Inc. 1 - 14
1	87636598	1	ROTOR ASSY., AFX Speciality Rice, Extended Wear, Inc. 1 - 14
1	87636603	1	AFX Speciality, Extended Wear, Inc. 1 - 14
1A	NSS	1	NOT SERVICED SEPARATELY, ROTOR ASSY., With Supports and Nuts
2	86639326	16	WASHER, M17.5 x 34 x 5, HT,
3	87619364	1	COUPLING, Rotor Drive, (8 Bolt)
4	87393350	1	PLATE, Rotor Load Ring
5	396-41053	20	WASHER, 17/32" x 1 1/4" x .188", HDN,
6	87550181	8	BOLT,
7	1327676C1	2	BAR, Helical Kicker, Standard Wear
7	86992048	2	BAR, Helical Kicker, Rice, Extended Wear
8	1318976C2	4	BAR, Straight Separator, Grain, Standard Wear
8	1318976C2	8	BAR, Straight Separator, Corn, Standard Wear
9	1309336C2	66	RASP BAR, W/Out Rear Spike, Grain, Standard Wear
9	1309336C2	58	RASP BAR, W/Out Rear Spike, Corn, Standard Wear
9	278821A2	66	RASP BAR, W/Out Spike, Extended Wear
9	278820A4	74	RASP BAR, W/Spike, Extended Wear, Rice
10	86981487	78	BOLT, Hex Flg, M12 x 35, 10.9, Full Thd,
	434525A3	1	KIT, AFX Rotor Inlet Flight with Extensions, (Standard Wear), Inc. 11 (2), 12 (4), 13 (12), 14 - 16, 5 (12), 15 (2)
	87519251	1	PACKAGE, REPAIR, AFX Rotor Inlet Flight with Extensions, (Extended Wear), Inc. 11 (2), 12 (4), 13 (12), 14 - 16, 5 (12), 15 (2)
11	NSS	2	NOT SERVICED SEPARATELY, FLIGHT, Inlet
12	326-820	4	BOLT, Hex, 1/2"-13 x 1 1/4", G8, Full Thd,
13	326-824	12	BOLT, Hex, 1/2"-13 x 1 1/2", G8, Full Thd,
14	199528A1	24	NUT,
15	87386465	2	FLIGHT, STEEL, Inlet Flight Extension
16	87386468	2	FLIGHT, STEEL, Intermediate
17	87281664	AR	SUPPORT, Rasp Bar w/Metric Nut, Accepts M12 Bolt
	87357079	1	KIT, SERVICE, AFX Rotor Front Shaft Stabilizer Ring, Inc. 19, 20
19	87427000	1	RING,
20	87361878	1	STABILIZER, Tool
21	191545C2	1	SHAFT, Front
22	412366A1	1	PIN, Rotor Shaft
23	87619897	1	COVER, Rotor Gear Case, Used on Older Combines With New Rotor
24	87417745	1	WRENCH, SPECIAL, Rasp Bar
	87710694	1	PACKAGE,SERVICE, Rotor Inlet and Intermediate Flight Extension, Inc. 4 (Qty 8), 13 (Qty 8), 15, 16



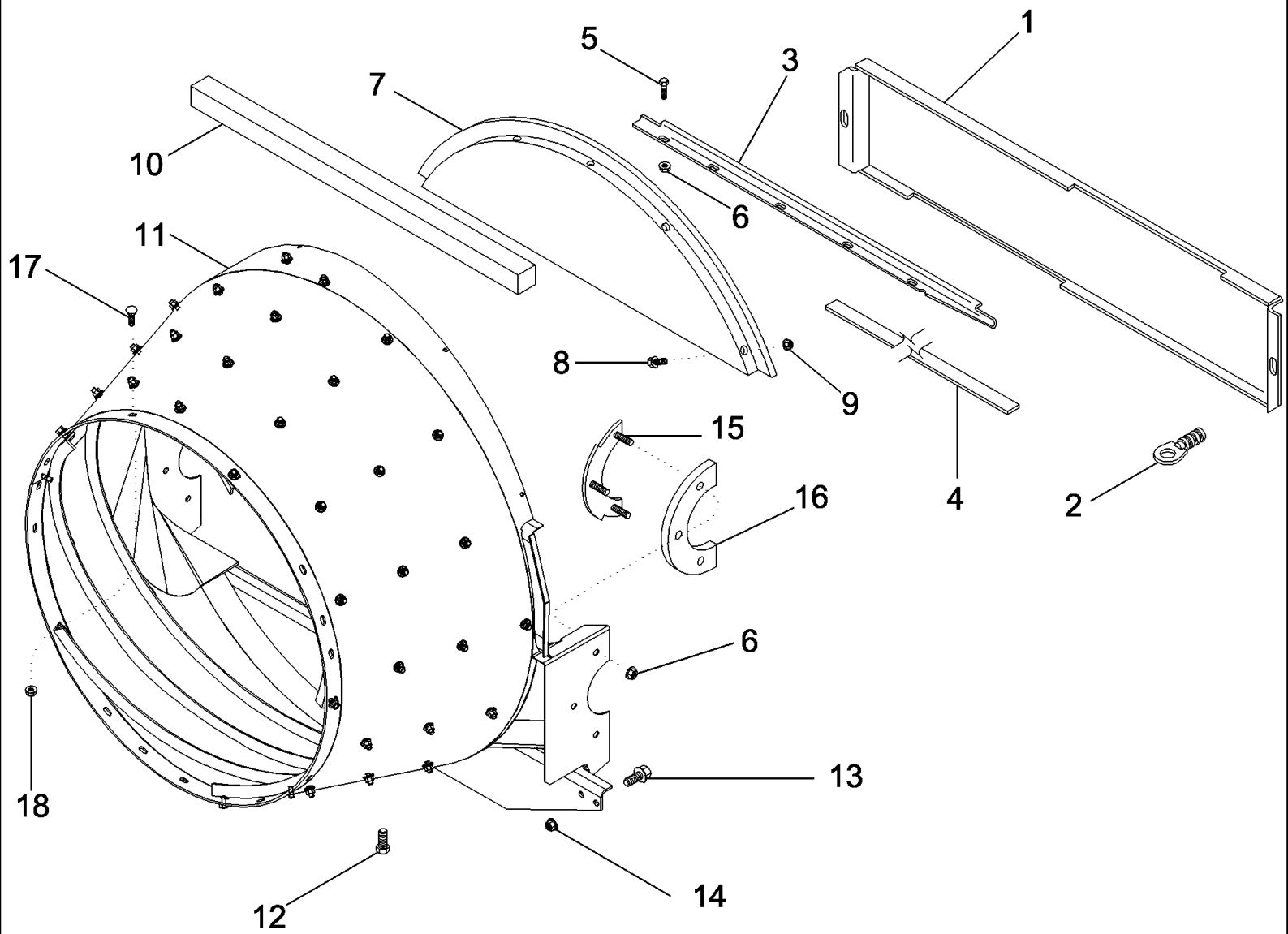
09B-10 ROTOR INSTALLATION PARTS - BSN HAJ303001

Ref	Part Number	Qty	Description
1	193384C8	1	SUPPORT, Front Bearing, Standard Wear
1	249247A1	1	SUPPORT, Front Bearing, Extended Wear
2	409-7820	4	BOLT, Hex Flg, 1/2"-13 x 1 1/4", Serr,
3	293431A3	1	HOUSING, Assy With Front Bearing, Inc. 4
4	193282C91	1	BEARING, BALL, Rotor Front
6	495-81097	1	WASHER, 2 1/32" x 2 3/4" x .075", , 5 Maximum Shared Between Both Locations
7	477-73820	2	SCREW, Slted Serr Truss Hd, 3/8"-16 x 1 1/4",
8	516-23127	2	CLAMP, J, 9/16" Insul, 3/8" Bolt,
9	426-824	3	BOLT, Hex, 1/2"-13 x 1 1/2", G8, Full Thd,
10	496-21053	3	WASHER, 17/32" x 1 1/16" x .134",
11	87301492	3	NUT, Flg, USR, 1/2"-13, G8,
12	477-73812	2	SCREW, Slted Serr Truss Hd, 3/8" x 3/4",
13	231-5146	4	NUT, Flg, USR, 3/8"-16,
15	1979965C1	1	ROTOR, Magnetic Speed Pickup
16	70330C1	1	WASHER, Rotor, Front Shaft
17	492-11075	1	WASHER, LOCK, 3/4",
18	424-1228	1	BOLT, Hex, 3/4"-10 x 1 3/4", G2,
19	1301239C1	1	SUPPORT, Cylinder Tachometer
20	1310675C1	2	SCREW, LOCK, Slted Truss Hd, #10-24 x 3/4", w/nylon LW,
21	182845C5	1	SHIELD, RPM Sensor
22	409-7612	3	BOLT, Hex Flg, 3/8"-16 x 3/4", Serr,
23	131-872	3	NUT, Ret, 3/8"-16,
24	231-5145	8	NUT, Flg, USR, 5/16"-18,
25	219-438	1	ADAPTER, 45c, 1/4"-1/8 NPTF, Hose
26	937781R92	1	HOSE, 686 mm (27 in)
27	419744A1	1	BRACKET,
28	F53473	1	NUT, 1/8
29	219-8	1	NIPPLE, LUBE, 1/4"-28 NPT x .54" lg,
30	87416663	1	PLATE, Anti-Wind Extension
31	396-41053	2	WASHER, 17/32" x 1 1/4" x .188", HDN,
32	326-824	2	BOLT, Hex, 1/2"-13 x 1 1/2", G8, Full Thd,



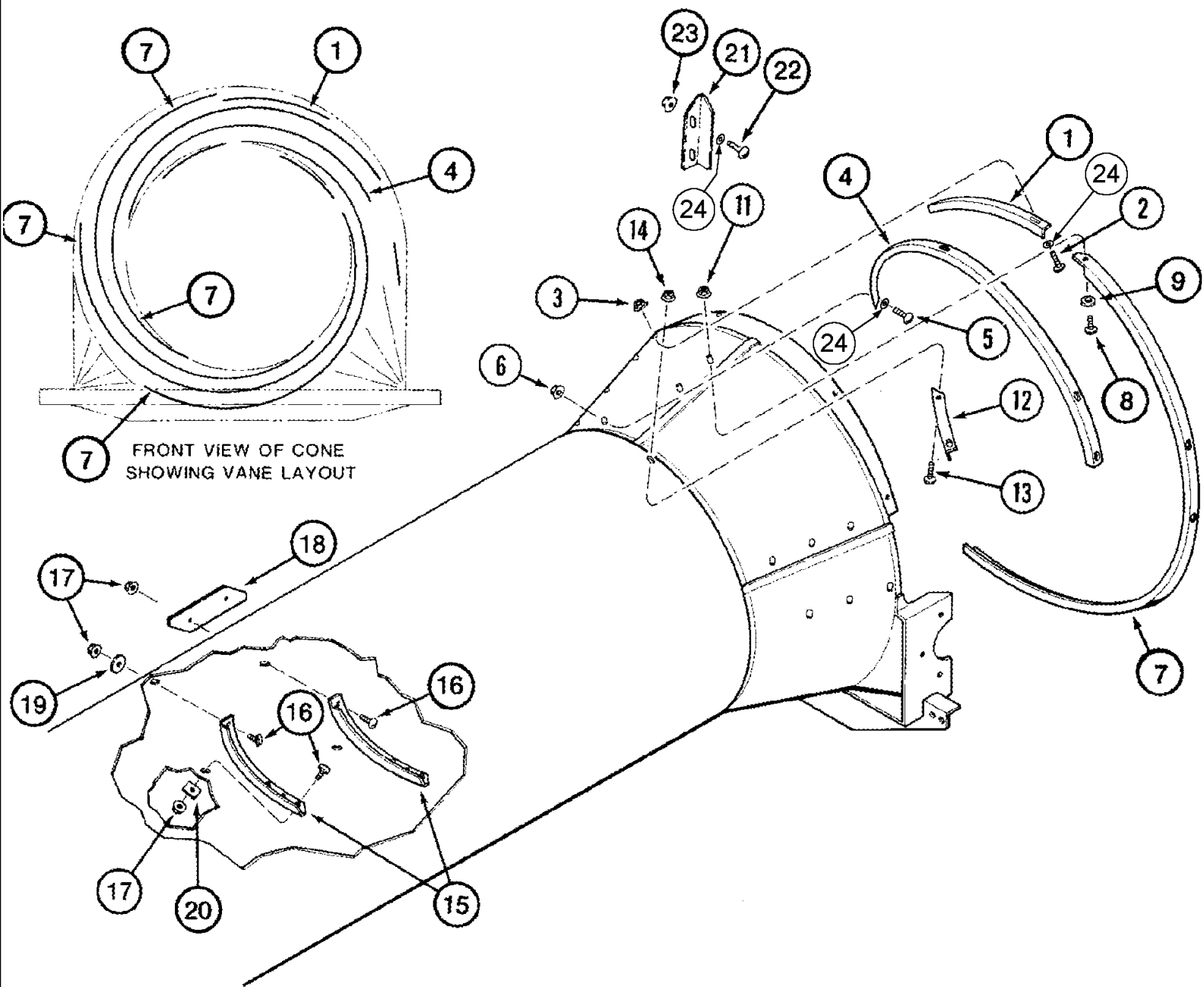
09B-11 ROTOR INSTALLATION PARTS - ASN HAJ303001

Ref	Part Number	Qty	Description
1	193384C8	1	SUPPORT, Front Bearing, Standard Wear
1	87613390	1	SUPPORT ASSY., Front Bearing, Extended Wear
2	409-7820	4	BOLT, Hex Flg, 1/2"-13 x 1 1/4", Serr,
3	87680175	1	ROTOR ASSY., With Front Bearing, Inc. 4
4	193282C91	1	BEARING, BALL, Rotor Front
5	86625256	2	WASHER, M12 x 28.5 x 4, HT,
6	495-81097	1	WASHER, 2 1/32" x 2 3/4" x .075", , 5 Maximum Shared Between Both Locations
7	86705431	2	BOLT,
9	374835	3	BOLT, Hex, M16 x 40, 10.9,
10	86639326	3	WASHER, M17.5 x 34 x 5, HT,
11	9804277	2	NUT, M8 x 1.25, Flg, CI 8,
12	9671714	2	BOLT, Hex Flg, M8 x 25, 8.8,
13	43436	2	NUT, M12, Flg Ser,
14	86512498	3	NUT, M16 x 2, Flg, CI 10,
15	1979965C1	1	ROTOR, Magnetic Speed Pickup
16	70330C1	1	WASHER, Rotor, Front Shaft
17	492-11075	1	WASHER, LOCK, 3/4",
18	424-1228	1	BOLT, Hex, 3/4"-10 x 1 3/4", G2,
19	87681790	1	BRACKET, SUPPORTING, Rotor Speed Sensor
20	1310675C1	2	SCREW, LOCK, Sltd Truss Hd, #10-24 x 3/4", w/nylon LW,
21	87681895	1	BRACKET, SUPPORTING, RPM Sensor
22	409-7612	3	BOLT, Hex Flg, 3/8"-16 x 3/4", Serr,
23	131-872	3	NUT, Ret, 3/8"-16,
24	231-5145	8	NUT, Flg, USR, 5/16"-18, 1/2
25	219-438	1	ADAPTER, 45e, 1/4"-1/8 NPTF, Hose
26	937781R92	1	HOSE, 686 mm (27")
27	419744A1	1	BRACKET,
28	F53473	1	NUT, 1/8
29	219-8	1	NIPPLE, LUBE, 1/4"-28 NPT x .54" lg,
30	87416663	1	PLATE, Anti-Wind Extension
31	495-81097	2	WASHER, 2 1/32" x 2 3/4" x .075",
32	337563	2	BOLT, Hex, M12 x 40, 10.9, Full Thd,



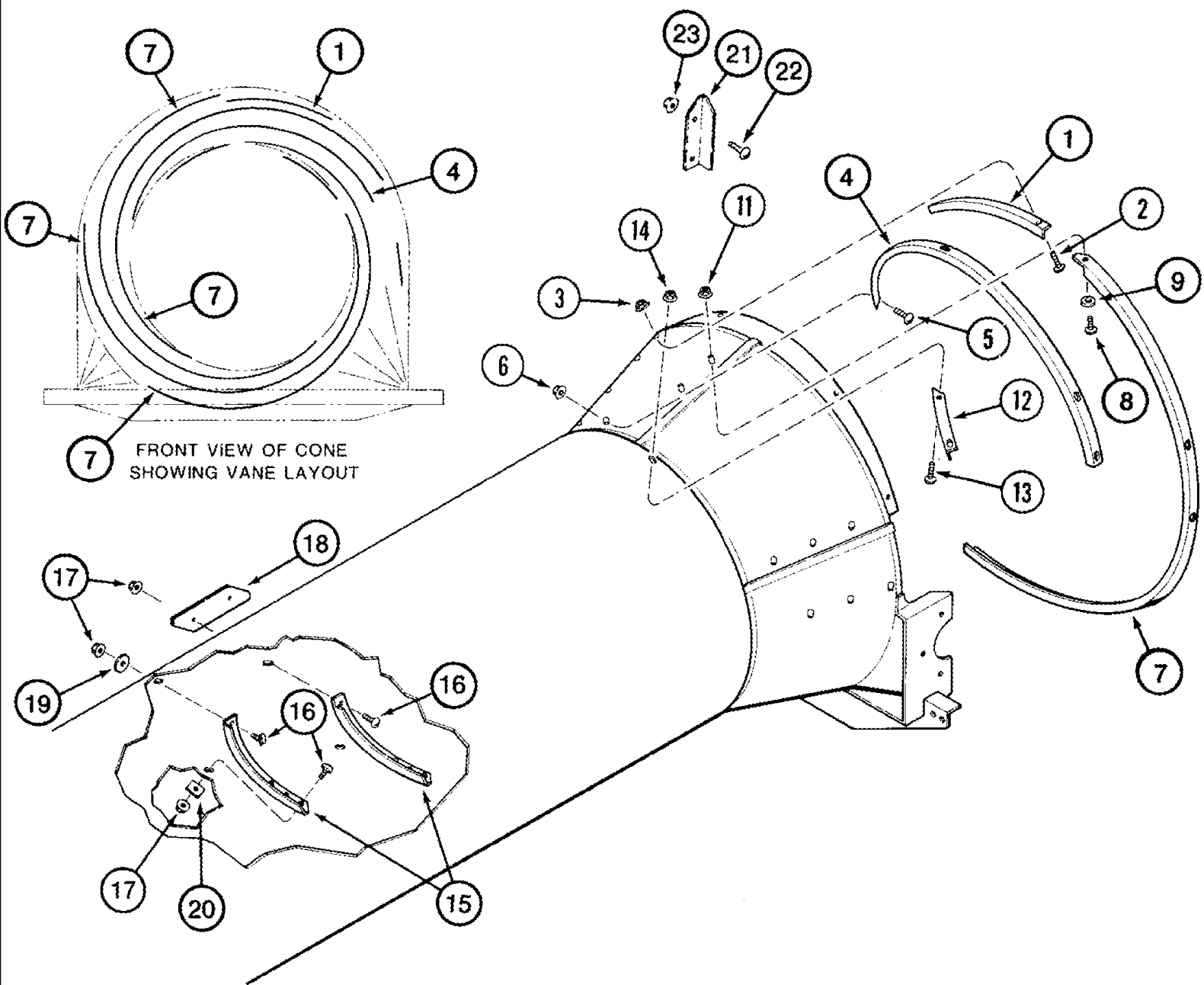
09B-12 CONE

Ref	Part Number	Qty	Description
1	87540270	1	SHEET, Rotor Front Door
2	188029C1	2	LATCH,
3	231848A1	1	RETAINER, Front Door Lower Seal Retainer
4	231849A2	1	GASKET, Front Door Lower Seal
5	409-7516	5	BOLT, Hex Flg, 5/16"-18 x 1", Serr,
6	231-5145	11	NUT, Flg, USR, 5/16"-18,
7	193607C3	1	SUPPORT, Rotor Front, Standard Wear
7	291127A1	1	GUARD, Rotor Front, Extended Wear, Rice Combine
8	145913	4	BOLT, Hex Flg, 5/16"-18 x 3/4", Serr,
9	145458	10	NUT, Flg, USR, 5/16"-18,
10	233482A1	2	SEAL,
11	443123A1	1	KIT, Extended Wear With Standard Vanes
11	428245A2	1	PACKAGE, Extended Wear With Stainless Steel Vanes
11	428247A2	1	CONE, Standard Wear With Stainless Steel Vanes, Rice Combine
12	413-88	1	BOLT, Hex, 1/2"-13 x 1/2", G5, Full Thd,
13	409-7820	4	BOLT, Hex Flg, 1/2"-13 x 1 1/4", Serr,
14	231-5148	4	NUT, Flg, USR, 1/2"-13,
15	195409C1	2	PLATE, Three Stud
16	195202C1	2	SEAL,
17	135320A1	2	SCREW, 3/8 x 1-1/4
17	139727A1	23	SCREW, 3/8 x 1
18	231-5146	25	NUT, Flg, USR, 3/8"-16,
19	419957A1	1	STRIP, Seal, Rear Service Deck Connection, Cut 1260 mm From 195917C2, Not Illustrated



09B-13 VANE - EXTENDED WEAR/STANDARD WEAR

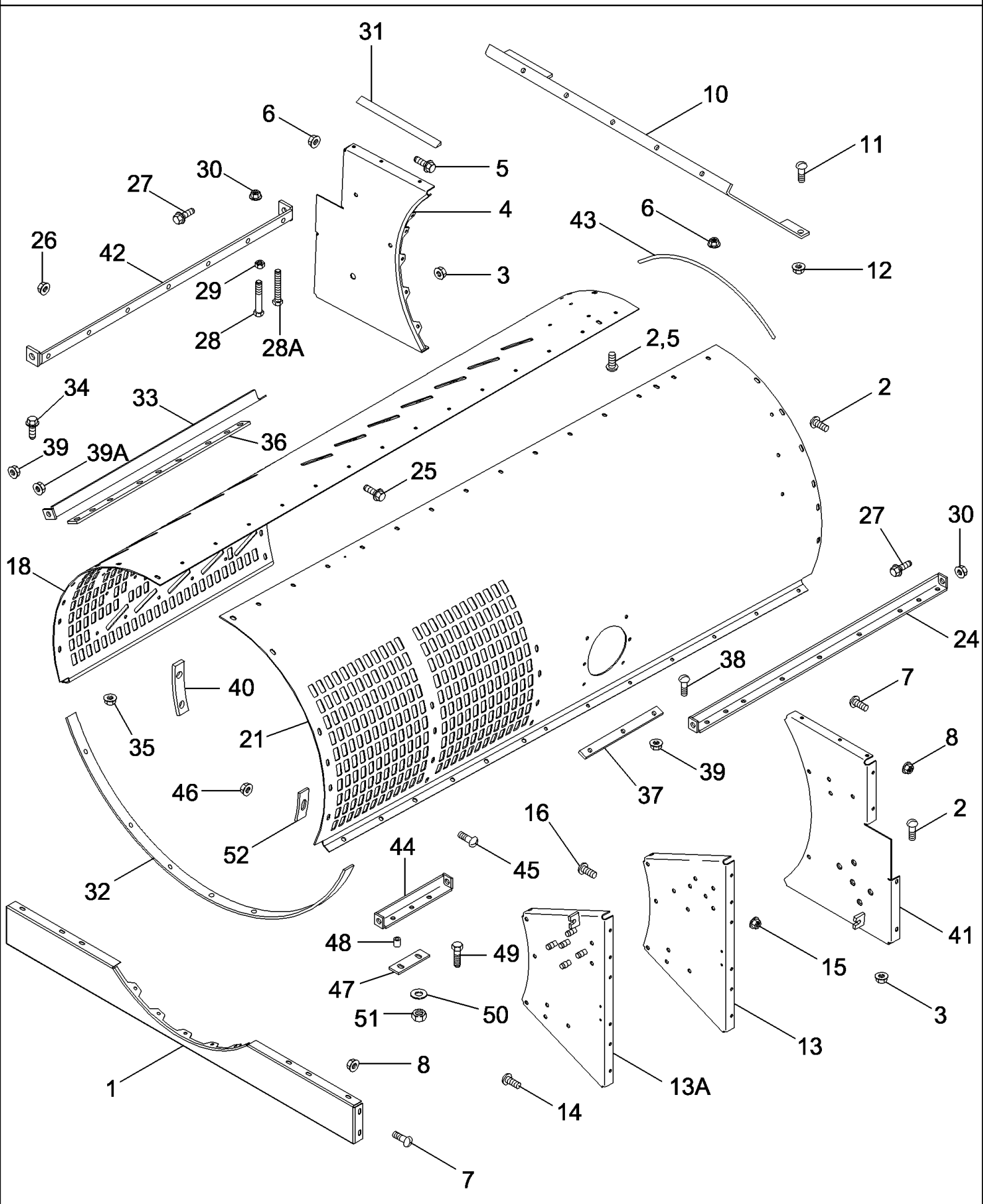
Ref	Part Number	Qty	Description
1	347913A1	1	STIFFENER, Vane, Cone Top Ring, Extended Wear
1	428281A1	1	STIFFENER, Vane, Cone Top Ring, Standard Wear
2	433734A1	2	BOLT, T-Type, Extended Wear
2	1324105C1	2	BOLT, T-Type, Standard Wear
3	86521609	2	NUT, LOCK, Flg, 3/8"-16, , Extended Wear
3	231-5146	2	NUT, Flg, USR, 3/8"-16, , Standard Wear
4	418655A2	1	STIFFENER, Vane, Cone Short, Extended Wear
4	428280A2	1	STIFFENER, Vane, Cone Short, Standard Wear
5	433734A1	8	BOLT, T-Type
6	86521609	8	NUT, LOCK, Flg, 3/8"-16,
7	418654A2	4	STIFFENER, Vane, Cone Long, Extended Wear
7	428279A2	4	STIFFENER, Vane, Cone Long, Standard Wear
8	433734A1	40	BOLT, T-Type
9	140045	40	WASHER, SPRING, Belleville, M10,
11	86521609	40	NUT, LOCK, Flg, 3/8"-16,
12	411518A2	3	STIFFENER, Vane, Short Front, Extended Wear
12	411517A2	3	STIFFENER, Vane, Short Front, Standard Wear
13	433734A1	6	BOLT, T-Type
14	231-5146	6	NUT, Flg, USR, 3/8"-16,
15	347917A1	13	STIFFENER, Vane, Transport
16	1324105C1	39	BOLT, T-Type
17	231-5146	39	NUT, Flg, USR, 3/8"-16,
18	1318581C1	6	PLATE,
19	55805C1	10	WASHER, 13/32 x 2-1/2 x 5/32
20	570052R1	2	WASHER, 13/32 x 1-1/2 x 3/16
21	347918A1	1	STIFFENER, Vane, Cone Pocket, Extended Wear
21	433282A1	1	Vane, Cone Pocket, Standard Wear
22	433734A1	2	BOLT, T-Type, Extended Wear
22	1324105C1	2	BOLT, T-Type, Standard Wear
23	86521609	2	NUT, LOCK, Flg, 3/8"-16, , Extended Wear
23	231-5146	2	NUT, Flg, USR, 3/8"-16, , Standard Wear
24	140045	12	WASHER, SPRING, Belleville, M10,



09B-14 VANE - AFX WITH EXTENDED WEAR

Ref	Part Number	Qty	Description
1	428281A1	1	STIFFENER, Vane, Cone Extension
2	477-73112	2	BOLT, Slotted Tr Hd, 5/16"-18 x 3/4",
3	231-5145	2	NUT, Flg, USR, 5/16"-18,
4	428280A2	1	STIFFENER, Vane, Cone Short
5	477-73112	4-5	BOLT, Slotted Tr Hd, 5/16"-18 x 3/4",
6	231-5145	4-5	NUT, Flg, USR, 5/16"-18,
7	428279A2	4	STIFFENER, Vane, Cone Front
8	433734A1	23	BOLT, 1-1/8
9	495-81116	1	WASHER, .344" x 1" x .060",
11	231-5346	52	NUT, LOCK, Flg, 3/8"-16,
12	411517A2	3	STIFFENER, Vane, Transport Extension
13	139727A1	3	SCREW, 3/8 x 1
14	231-5146	3	NUT, Flg, USR, 3/8"-16, Transport
15	186075C2	13	TUBE, SUPPORT, Vane, Transport
16	1324105C1	39	BOLT,
17	231-5146	39	NUT, Flg, USR, 3/8"-16,
18	1318581C1	6	PLATE,
19	55805C1	11	WASHER, 13/32 x 2-1/2 x 5/32
20	570052R1	2	WASHER, 13/32 x 1-1/2 x 3/16
21	428282A1	1	STIFFENER, Vane, Pocket
22	477-73112	2	BOLT, Slotted Tr Hd, 5/16"-18 x 3/4",
23	231-5145	2	NUT, Flg, USR, 5/16"-18,
	437319A1	1	KIT, AFX Cone Vanes, 3/16, Inc. 1, 4, 7, 8, 11, 21

09B-15 CAGE - FRONT

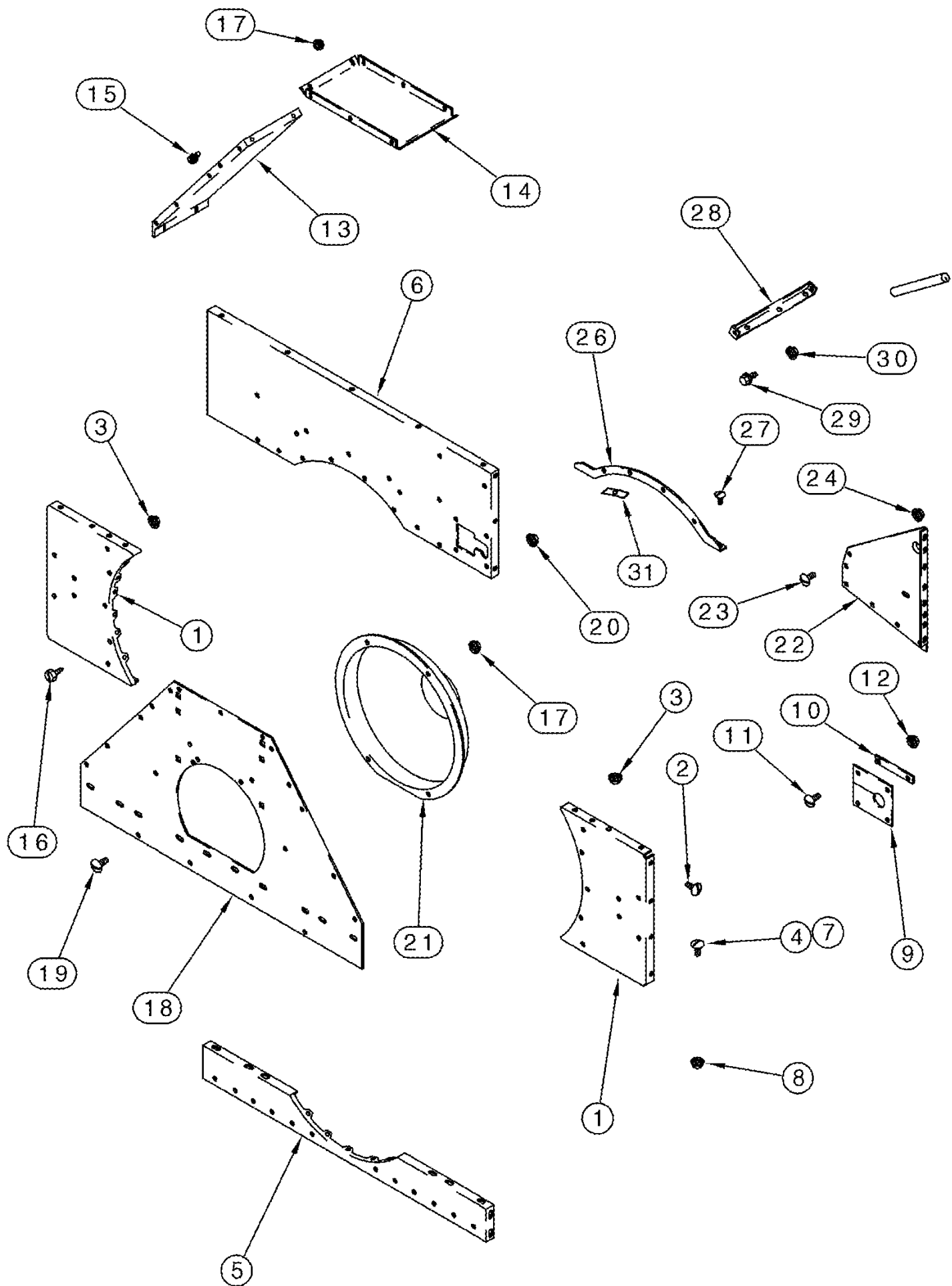


09B-15 CAGE - FRONT

Ref	Part Number	Qty	Description
1	192385C1	1	SUPPORT,
2	477-73812	22	SCREW, Sltd Serr Truss Hd, 3/8" x 3/4",
2	477-73816	14	SCREW, Sltd Serr Truss Hd, 3/8" x 1",
3	231-5146	34	NUT, Flg, USR, 3/8"-16,
4	1338053C3	1	SUPPORT, Left Hand Front
5	409-7820	4	BOLT, Hex Flg, 1/2"-13 x 1 1/4", Serr,
5	477-73812	8	SCREW, Sltd Serr Truss Hd, 3/8" x 3/4",
5	477-73120	2	SCREW, Sltd Serr Truss Hd, 5/16"-18 x 1 1/4",
6	231-5148	4	NUT, Flg, USR, 1/2"-13,
7	477-73112	22	BOLT, Slotted Tr Hd, 5/16"-18 x 3/4",
8	231-5145	22	NUT, Flg, USR, 5/16"-18,
10	176200A2	1	SHEET, Front
11	477-73112	8	BOLT, Slotted Tr Hd, 5/16"-18 x 3/4",
11	477-73120	1	SCREW, Sltd Serr Truss Hd, 5/16"-18 x 1 1/4",
12	231-5145	9	NUT, Flg, USR, 5/16"-18,
13	1338042C1	1	SUPPORT, Right Hand, Intermediate, Adjusting
13A	1338057C1	2	SUPPORT, Right and Left Hand, Intermediate
13B	1338052C1	5	SCREW, 5/8 x 1-1/2
14	1302160C1	12	SCREW, LOCK, Sltd Truss Hd, 3/8"-16 x 3/4",
15	231-5146	17	NUT, Flg, USR, 3/8"-16,
16	410-7620	9	BOLT, Hex Flg, 3/8"-16 x 1 1/4", Serr,
18	1318729C5	1	CAGE, Rotor, Left Hand
21	1321661C3	1	CAGE, Rotor, Right Hand
24	188333C1	1	SUPPORT, Right Hand
25	477-73812	8	SCREW, Sltd Serr Truss Hd, 3/8" x 3/4",
25	139727A1	6	SCREW, 3/8 x 1
25	477-73816	1	SCREW, Sltd Serr Truss Hd, 3/8" x 1",
26	231-5146	14	NUT, Flg, USR, 3/8"-16,
27	1302143C1	2	BOLT, 1/2 x 1
28	931008R1	2	BOLT, 1/2 x 3-1/2
28A	820430C1	2	BOLT, 1/2 x 5-1/2, If Used
29	425-148	2	NUT, Jam, 1/2"-13, G5,
30	231-5148	2	NUT, Flg, USR, 1/2"-13,
31	NSS	2	NOT SERVICED SEPARATELY, Seal, Cut From 73220C1
32	186750C1	1	SUPPORT,
33	185386C1	1	SUPPORT, Left Hand
34	1319250C1	15	SCREW, 3/8 x 1
35	231-5146	AR	NUT, Flg, USR, 3/8"-16,
36	183323C1	1	STRAP,
37	186785C2	1	REINFORCEMENT, Front, Right Hand
38	135320A1	5	SCREW,
39	231-5146	5	NUT, Flg, USR, 3/8"-16,
39A	231-5346	1	NUT, LOCK, Flg, 3/8"-16,

09B-15 CAGE - FRONT

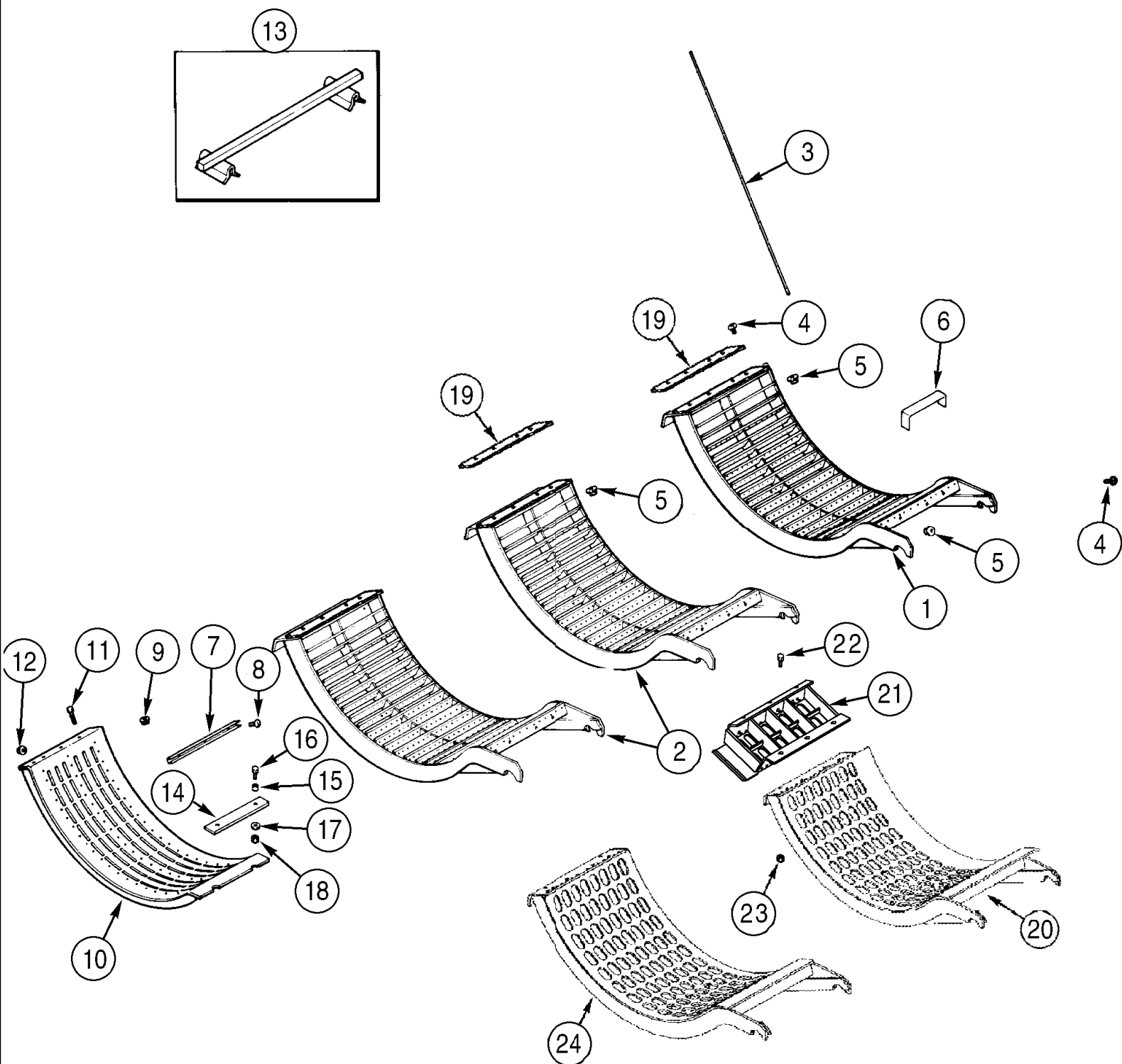
Ref	Part Number	Qty	Description
40	1318900C1	1	SUPPORT, Left Hand Front
41	1338043C4	1	SUPPORT, Right Hand Front
42	1309191C2	1	SUPPORT, Left Hand
43	1309111C1	1	SEAL, 725 mm (28-9/16 in)
44	182634C3	1	SUPPORT, Right Hand Front
45	1302143C1	2	BOLT,
46	231-5148	2	NUT, Flg, USR, 1/2"-13,
47	186784C2	3	BAR, Right Hand
48	600179	6	
49	426-832	6	BOLT, Hex, 1/2"-13 x 2", G8,
50	495-11053	6	WASHER, 1/2", SAE,
51	232-4118	6	NUT, LOCK, 1/2"-13, GC,
52	186797C2	1	SUPPORT,



09B-16 CAGE - REAR

Ref	Part Number	Qty	Description
1	191269C4	2	SUPPORT, Rear
2	477-73812	8	SCREW, Sltd Serr Truss Hd, 3/8" x 3/4",
2	477-73816	24	SCREW, Sltd Serr Truss Hd, 3/8" x 1",
3	231-5146	40	NUT, Flg, USR, 3/8"-16,
4	1302160C1	8	SCREW, LOCK, Sltd Truss Hd, 3/8"-16 x 3/4",
5	182931C1	1	SUPPORT, Lower Rear
6	176201A1	1	SHEET, Upper Rear
7	477-73812	15	SCREW, Sltd Serr Truss Hd, 3/8" x 3/4",
8	231-5146	15	NUT, Flg, USR, 3/8"-16,
9	191191C2	1	STRIP,
10	191192C1	2	BAR,
11	477-73112	4	BOLT, Slotted Tr Hd, 5/16"-18 x 3/4",
12	231-5145	4	NUT, Flg, USR, 5/16"-18,
13	193393C1	2	SUPPORT,
14	193170C1	1	COVER,
15	409-7512	4	BOLT, Hex Flg, 5/16"-18 x 3/4", Serr,
16	138558A1	3	SCREW, 5/16 x 13/16
17	231-5145	7	NUT, Flg, USR, 5/16"-18,
18	443254A1	1	SHEET,
19	477-73112	28	BOLT, Slotted Tr Hd, 5/16"-18 x 3/4",
19	477-73116	2	SCREW, Sltd Serr Truss Hd, 5/16"-18 x 1",
20	231-5145	28	NUT, Flg, USR, 5/16"-18,
21	182550C2	1	HOUSING,
22	191398C2	1	GUARD, Gear Housing, Inner
23	477-73812	4	SCREW, Sltd Serr Truss Hd, 3/8" x 3/4",
24	231-5146	4	NUT, Flg, USR, 3/8"-16,
26	1308696C1	1	SUPPORT, Upper Rear
27	1302160C1	4	SCREW, LOCK, Sltd Truss Hd, 3/8"-16 x 3/4",
28	182634C3	1	SUPPORT,
29	1302143C1	2	BOLT, 1/2 x 1
30	231-5148	2	NUT, Flg, USR, 1/2"-13,
31	186797C2	1	SUPPORT,

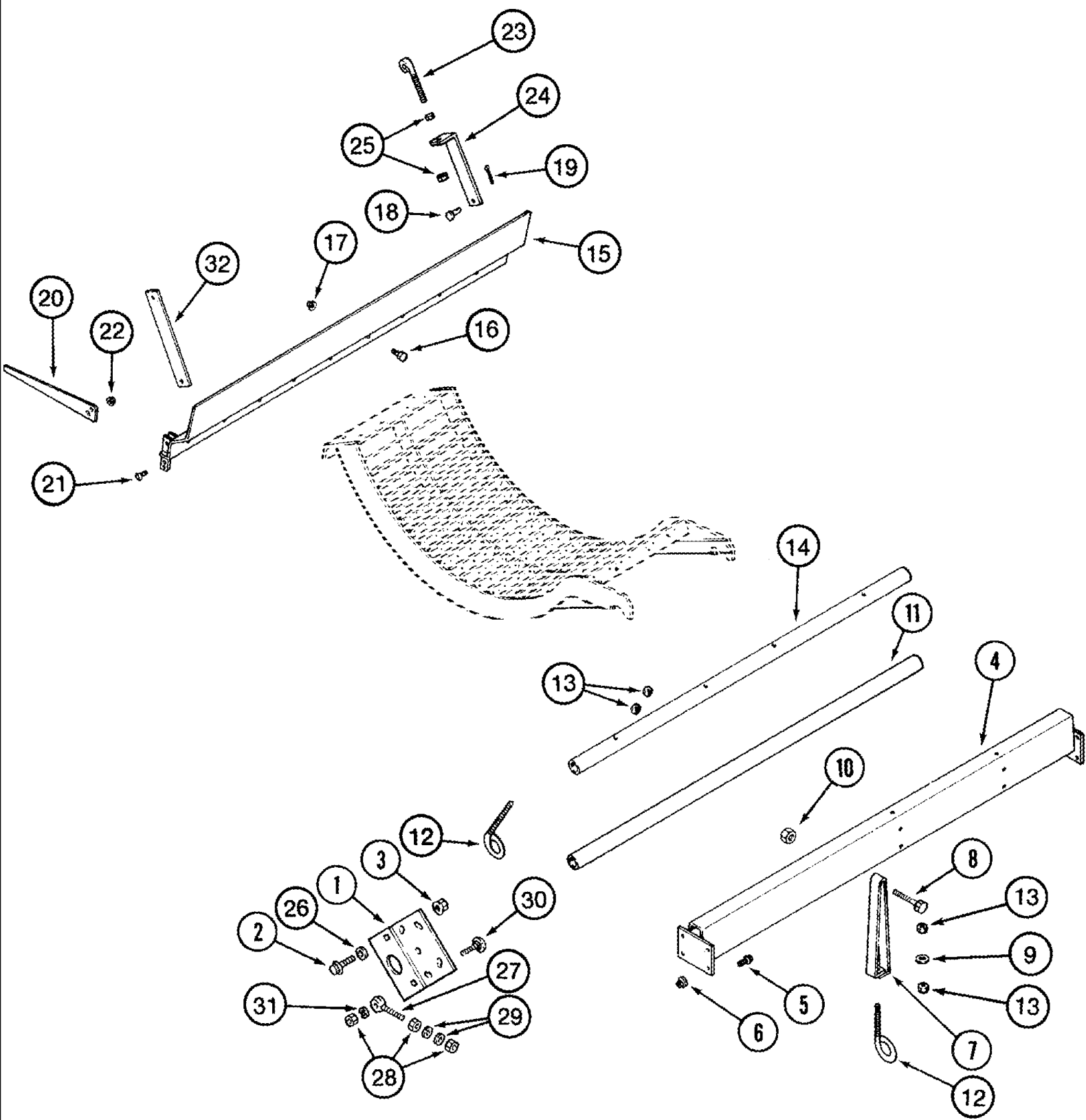
09B-17 CONCAVES - GRATES AND CONCAVES



09B-17 CONCAVES - GRATES AND CONCAVES

Ref	Part Number	Qty	Description
1	418647A1	1	CONCAVE, Front, Small Wire, Inc. 3 - 5, 19, With Heat Treatment
1	386188A1	1	CONCAVE, Front, Large Wire, Inc. 3 - 5, Without Heat Treatment
1	418645A1	1	CONCAVE, Front, Large Wire, Inc. 3 - 5, 19, With Heat Treatment
2	386189A1	1	DIA KIT, HARVESTER, No. 2 and 3, Large Wire, Inc. 3 - 5, Without Heat Treatment
2	418646A1	2	CONCAVE, No. 2 and 3, Large Wire, Inc. 3 - 5, 19, With Heat Treatment
2	418648A1	1	CONCAVE, No. 2 and 3, Small Wire, Inc. 3 - 5, 19, With Heat Treatment
3	386352A1	14	WIRE, Concave, Large Wire
3	418158A1	30	WIRE, Concave, Small Wire, With Heat Treatment
3	412400A1	6	WIRE, Concave, Smooth
4	450-73816	8	SCREW, CrossSerr Truss Hd, 3/8"-16 x 1",
5	231-5146	8	NUT, Flg, USR, 3/8"-16,
6	1309425C1	AR	CHANNEL, Small Wire, With Heat Treatment
6	1309424C1	AR	CHANNEL, Large Wire, Without Heat Treatment
7	191536C1	9	CHANNEL, Grate Adjusting, Corn, Used With 191535C2, REF 10
8	477-73112	27	BOLT, Slotted Tr Hd, 5/16"-18 x 3/4",
9	231-5145	27	NUT, Flg, USR, 5/16"-18,
10	191535C2	3	GRATE, Slotted, Grain
10	1302563C1	3	GRATE, Keystock
11	410-7620	3	BOLT, Hex Flg, 3/8"-16 x 1 1/4", Serr,
12	231-5146	3	NUT, Flg, USR, 3/8"-16,
13	1324046C3	AR	BAR, Small Wire, With Heat Treatment
14	186784C2	3	BAR,
15	600179R1	6	SPACER, 1/2" X-Strng Pipe x 9/16",
16	281058	6	BOLT, Hex, 1/2"-13 x 2", G8,
17	495-11053	6	WASHER, 1/2", SAE,
18	232-4118	6	NUT, LOCK, 1/2"-13, GC,
19	193859C1	2	PLATE, Concave
19	431897A1	2	BAR, Concave
20	316772A1	1	CONCAVE, Front Smooth Slotted, No. 1
21	316773A1	1	EXTENSION, Concave, Front Smooth, No. 1
21	316774A1	2	EXTENSION, Concave, Front Smooth, No. 2 and 3
22	410-7616	4	BOLT, Hex Flg, 3/8"-16 x 1", Serr, G8,
23	231-5146	4	NUT, Flg, USR, 3/8"-16,
24	316778A1	2	CONCAVE, Front Smooth Slotted, No. 2. and 3

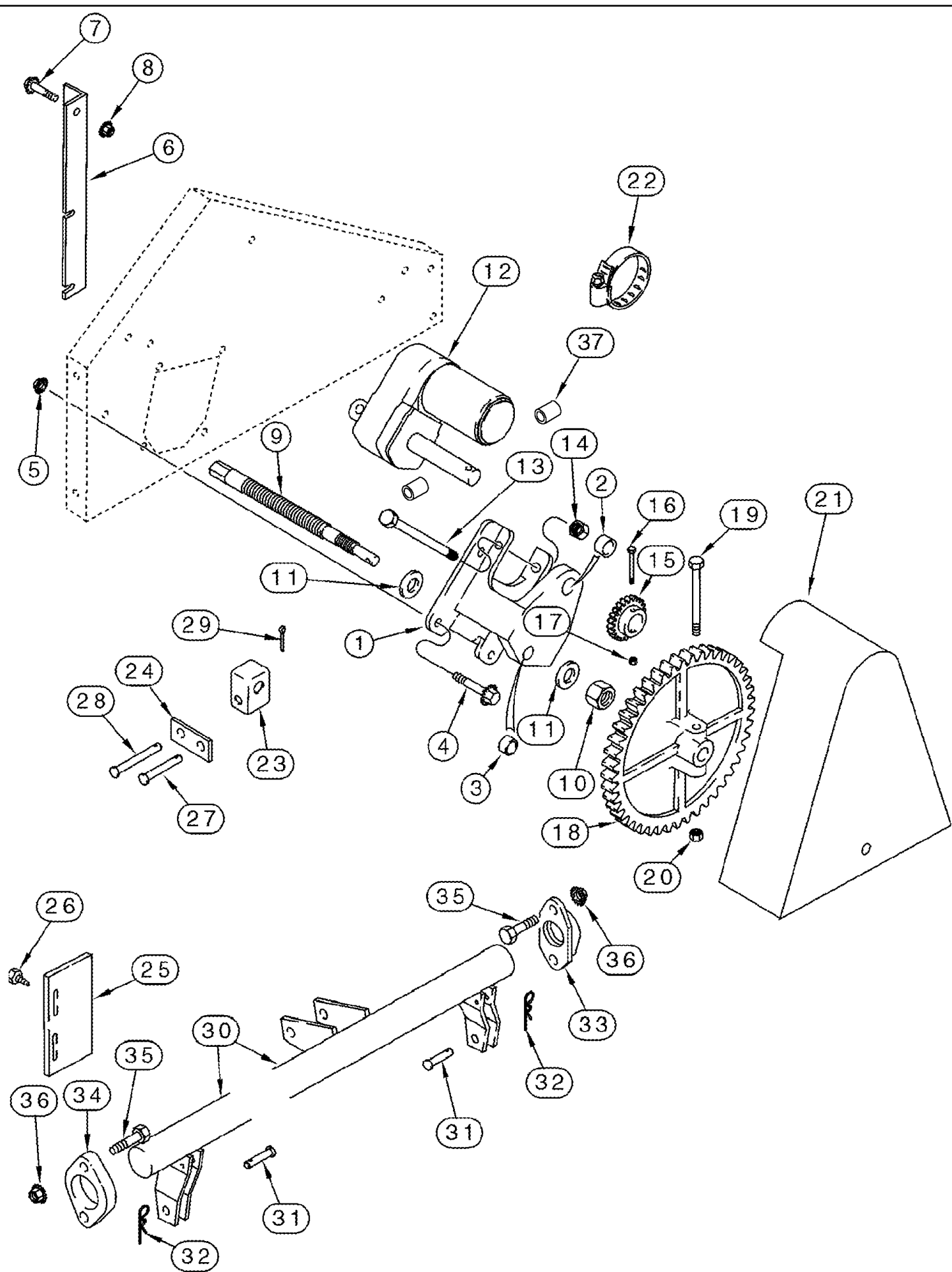
09B-18 CONCAVES - ANCHOR SUPPORTS



09B-18 CONCAVES - ANCHOR SUPPORTS

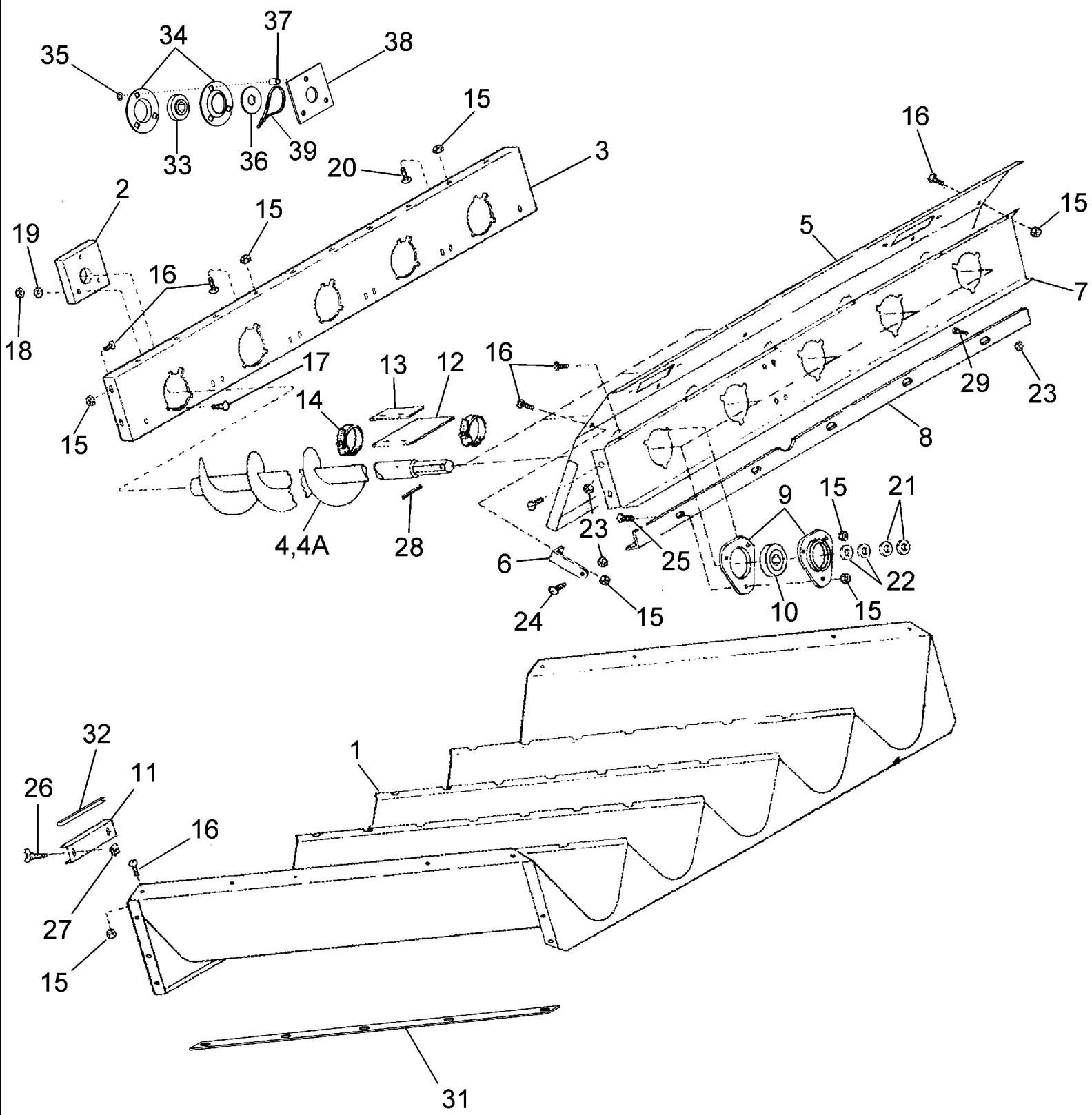
Ref	Part Number	Qty	Description
1	1338041C2	2	SUPPORT,
2	1338052C1	5	SCREW, 5/8 x 1-1/2
3	87301493	5	NUT, Flg, USR, 5/8"-11, G8,
3	1338079C1	5	NUT, 5/8
4	1317229C1	1	SUPPORT, Right Hand
5	1302142C1	6	SCREW, 1/2 x 1-1/4
6	231-5148	6	NUT, Flg, USR, 1/2"-13,
7	1317233C1	2	SUPPORT,
8	426-848	2	BOLT, Hex, 1/2"-13 x 3", G8,
9	496-41053	2	WASHER, 17/32" x 1 1/4" x 3/16",
10	232-4118	2	NUT, LOCK, 1/2"-13, GC,
11	282766A1	1	SUPPORT,
12	279088A1	6	EYEBOLT,
13	425-108	12	NUT, 1/2"-13, G5,
14	279086A1	1	SHAFT,
15	1318433C3	1	SUPPORT, , BSN HAJ301330
16	410-7616	15	BOLT, Hex Flg, 3/8"-16 x 1", Serr, G8,
15	87627461	1	SUPPORT ASSY., , ASN HAJ301330
17	231-5146	15	NUT, Flg, USR, 3/8"-16,
18	439-1823	2	PIN, HEADED, 1/2" x 1 7/16",
19	432-1216	2	PIN, SPLIT (COTTER), 3/16" x 1",
20	1318880C1	1	SUPPORT,
21	477-82512	2	SCREW, Slt'd Serr Truss Hd, 1/4"-20 x 3/4",
22	231-5144	2	NUT, Flg, USR, 1/4"-20,
23	1317348C1	1	BOLT,
24	1318894C2	1	SUPPORT,
25	425-108	2	NUT, 1/2"-13, G5,
26	496-41066	10	WASHER, 21/32" x 1 1/2" x .188", HDN,
27	177662C2	2	EYEBOLT, Eye
28	425-108	6	NUT, 1/2"-13, G5,
29	496-21053	4	WASHER, 17/32" x 1 1/16" x .134",
30	434-824	2	BOLT, CARRIAGE, Short NK, 1/2"-13 x 1 1/2", G5, Full Thd,
31	80679	2	WASHER, LOCK, 1/2",
32	1318893C2	1	BAR,

09B-19 CONCAVES - CONTROL



09B-19 CONCAVES - CONTROL

Ref	Part Number	Qty	Description
1	142607A2	1	HOUSING, Inc. 2, 3
2	551068R1	2	BUSHING,
3	568921R1	1	BUSHING,
4	409-7620	2	BOLT, Hex Flg, 3/8"-16 x 1 1/4", Serr,
4	409-7624	2	BOLT, Hex Flg, 3/8"-16 x 1 1/2", Serr,
5	231-5146	4	NUT, Flg, USR, 3/8"-16,
6	185779A2	1	SUPPORT,
7	409-7616	1	BOLT, Hex Flg, 3/8"-16 x 1", Serr,
8	231-5146	1	NUT, Flg, USR, 3/8"-16,
9	131436A2	1	SHAFT,
10	232-41110	1	NUT, LOCK, 5/8"-11, GC,
11	496-11066	2	WASHER, 21/32" x 1 5/16" x .095", HDN,
12	143239A2	1	MOTOR, ELECTRIC, Concave Control
13	413-880	1	BOLT, Hex, 1/2"-13 x 5", G5,
14	231-1448	1	NUT, 1/2"-13, GB,
15	135406A2	1	GEAR, 20T, Driven
16	413-428	1	BOLT, Hex, 1/4"-20 x 1 3/4", G5,
17	230-4214	1	NUT, LOCK, 1/4"-20, GA,
18	135410A2	1	GEAR, 70T, Driven
19	413-436	1	BOLT, Hex, 1/4"-20 x 2 1/4", G5,
20	230-4214	1	NUT, LOCK, 1/4"-20, GA,
21	144528A1	1	SHIELD,
22	214-1540	1	CLAMP, HOSE, #40, 2.06/3.00 Type F Worm, W/liner,
23	192886C1	1	NUT,
24	192888C1	2	PLATE, Concave Control
25	188168C1	1	PLATE, Concave Indicator
26	276-1458	2	SCREW, SELF TAPPING, Hex Hd, #10 x 1/2",
27	439-1848	1	PIN, HEADED, 1/2" x 3",
28	439-1838	1	PIN, HEADED, 1/2" x 2 3/8",
29	432-1216	2	PIN, SPLIT (COTTER), 3/16" x 1",
30	191422C2	1	LEVER,
31	439-1823	2	PIN, HEADED, 1/2" x 1 7/16",
32	432-1216	2	PIN, SPLIT (COTTER), 3/16" x 1",
33	188351C1	1	HUB,
34	192890C2	1	HUB,
35	413-824	4	BOLT, Hex, 1/2"-13 x 1 1/2", G5, Full Thd,
36	231-5148	4	NUT, Flg, USR, 1/2"-13,
37	87036416	2	SPACER, 3/4" Pipe x 1 1/16",



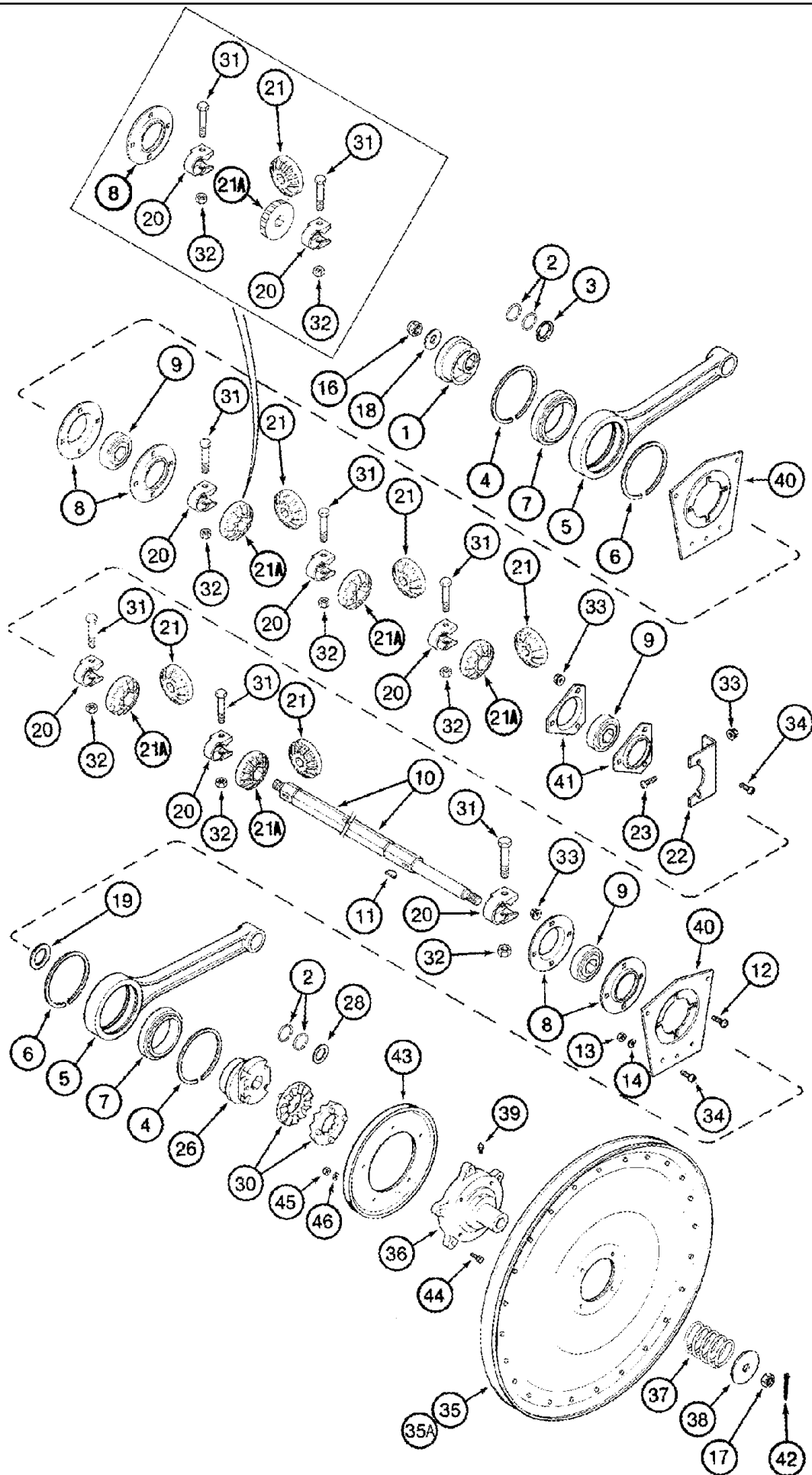
09B-20 AUGER BED

Ref	Part Number	Qty	Description
1	191645C6	1	TROUGH,
2	193414C2	5	BOARD, , BSN HAJ303001
3	1345014C3	1	SUPPORT, Front
4	249278A1	4	AUGER, Right Hand Rotation, BSN HAJ303001
4	87649711	4	AUGER, Right Hand Rotation, ASN HAJ303001
4A	282955A1	1	AUGER, Left Hand Rotation, Mounted in Left Most Position on the Auger Bed, BSN HAJ303001
4A	87649712	1	AUGER, Left Hand Rotation, Mounted in Left Most Position on the Auger Bed, ASN HAJ303001
5	1321372C2	1	SHEET,
6	193554C1	2	SUPPORT,
7	1309226C1	1	SUPPORT,
8	188360C1	1	STIFFENER,
9	86603075	10	FLANGE,
10	195293C91	5	BEARING, BALL,
11	185068C1	5	COVER, Auger Trough Clean Out, BSN HAJ303001
12	1302112C1	1	STRIP,
11	87378754	5	COVER, Auger Trough Clean Out, ASN HAJ303001
13	1302113C1	1	BAR,
14	214-1428	2	CLAMP, HOSE, #28, 1.31/2.25 Type F Worm,
15	231-5145	AR	NUT, Flg, USR, 5/16"-18,
16	477-73112	AR	BOLT, Slotted Tr Hd, 5/16"-18 x 3/4",
16	477-73108	4	SCREW, Slt'd Serr Truss Hd, 5/16"-18 x 1/2",
16	477-73116	4	SCREW, Slt'd Serr Truss Hd, 5/16"-18 x 1",
17	433-636	15	BOLT, CARRIAGE, Short NK, 3/8"-16 x 2 1/4", G5,
18	231-4116	15	NUT, LOCK, 3/8"-16, GB,
19	495-11041	15	WASHER, 3/8", SAE,
20	477-73112	4	BOLT, Slotted Tr Hd, 5/16"-18 x 3/4",
21	495-81191	10	WASHER, 1 5/32" x 2" x .060", Standard Wear
21	495-81211	10	WASHER, 1 11/32" x 2" x .120", Extended Wear
22	495-11106	10	WASHER, 1", SAE,
23	231-5146	AR	NUT, Flg, USR, 3/8"-16,
24	477-73812	4	SCREW, Slt'd Serr Truss Hd, 3/8" x 3/4",
25	477-73116	19	SCREW, Slt'd Serr Truss Hd, 5/16"-18 x 1",
26	166667C1	10	SCREW,
27	564791R1	10	NUT, 1/4
28	38-12032	5	PIN, LOCK, 5/16" x 2", Slotted,
29	409-7616	2	BOLT, Hex Flg, 3/8"-16 x 1", Serr,
30	492-11038	15	WASHER, LOCK, 3/8",
31	87313058	1	STRAP,
32	1327979C1	2	MOLDING, , ASN HAJ303001
33	380301A1	5	BEARING, BALL, Auger Shaft, Lower, ASN HAJ303001
34	380288A1	10	FLANGE, Auger Bed Bearing, ASN HAJ303001
35	131-415	1	NUT, LOCK, Push, Bolt Retainer, 3/8" x 25/32", , ASN HAJ303001
36	87643385	5	WASHER, Auger Bed, ASN HAJ303001

09B-20 AUGER BED

Ref	Part Number	Qty	Description
37	384257A1	15	SPACER, , ASN HAJ303001
38	87649714	5	COVER ASSY, Auger Bed, ASN HAJ303001
39	306132C1	5	STRAP, CABLE, .30" x 14.5",

09B-21 DRIVE - SHAKER SHAFT AND AUGER



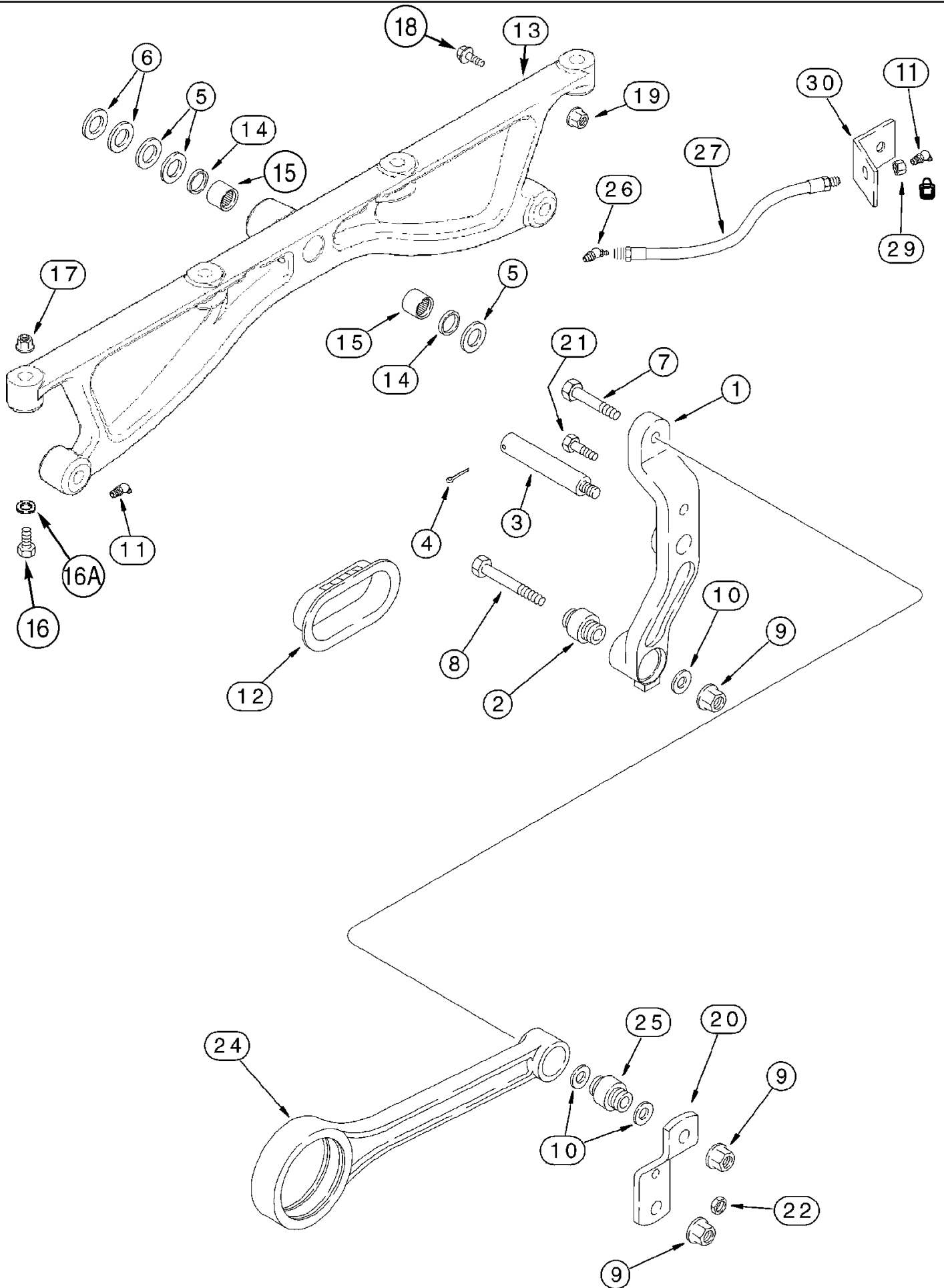
09B-21 DRIVE - SHAKER SHAFT AND AUGER

Ref	Part Number	Qty	Description
1	1322573C1	1	CAM, Left Hand
2	1322623C1	4	RETAINER, 1-13/64 in
3	1330336C1	1	WASHER, 29/32 x 1-1/4 x 1/8
4	1979190C1	2	RETAINER,
5	87582203	2	ARM ASSY., Shaker Shaft, See Figure 09B-22, REF 24
6	1322624C1	2	RETAINER, 5-1/8
7	1345226C1	2	BEARING, BALL,
8	87430518	4	FLANGE,
9	156816C91	3	BEARING, BALL,
10	1322616C2	1	SHAFT,
11	126-124	2	KEY, WOODRUFF, #15, 1/4" x 1", HT,
12	477-73812	8	SCREW, Slt'd Serr Truss Hd, 3/8" x 3/4",
13	425-106	8	NUT, 3/8"-16, G5,
14	492-11038	8	WASHER, LOCK, 3/8",
16	231-41112	1	NUT, LOCK, 3/4"-10, GB,
17	425-1212	1	NUT, SLOTTED, 3/4"-10, G5,
18	1979580C1	1	WASHER,
19	495-81213	1	WASHER, 1 13/32" x 2" x .060",
20	225265R1	6	CLAMP,
21	194194C1	5	GEAR, 14T
21A	191677C1	5	GEAR, 14T, Note: The Left Most Bevel Drive Gear, REF 21A, On the Shaker Shaft Must Be turned 180 Degrees, So That the Gear Teeth are Mounted Facing REF 8 Flange When Using a 1309229C1 Left Hand Rotation Auger. See Inset Illustration Figure(s) 9B-21. See Figure(s) 9B-20
22	186589C1	1	SUPPORT,
23	477-73816	2	SCREW, Slt'd Serr Truss Hd, 3/8" x 1",
26	1322574C1	1	CAM, Right Hand
28	1979191C1	1	WASHER, 1-1/16 x 1-1/4 x 1/8
30	B12170	2	RATCHET,
31	413-840	6	BOLT, Hex, 1/2"-13 x 2 1/2", G5,
32	231-4118	6	NUT, LOCK, 1/2"-13, GB,
33	231-5146	13	NUT, Flg, USR, 3/8"-16,
34	477-73812	3	SCREW, Slt'd Serr Truss Hd, 3/8" x 3/4",
34	477-73816	8	SCREW, Slt'd Serr Truss Hd, 3/8" x 1",
35	359099A1	1	PULLEY, Driven, See Figure 09A-02
36	1303136C2	1	HUB,
37	19302K	1	SPRING,
38	388418C1	1	WASHER,
39	219-87	1	NIPPLE, LUBE, 1/4"-28 x .56" lg, Self-Tap,
40	1302221C1	2	RETAINER,
41	86620026	2	FLANGE,
42	432-828	1	PIN, SPLIT (COTTER), 1/8" x 1 3/4",
43	566516R92	1	PULLEY, 9-3/4 OD
44	413-516	5	BOLT, Hex, 5/16"-18 x 1", G5, Full Thd,

09B-21 DRIVE - SHAKER SHAFT AND AUGER

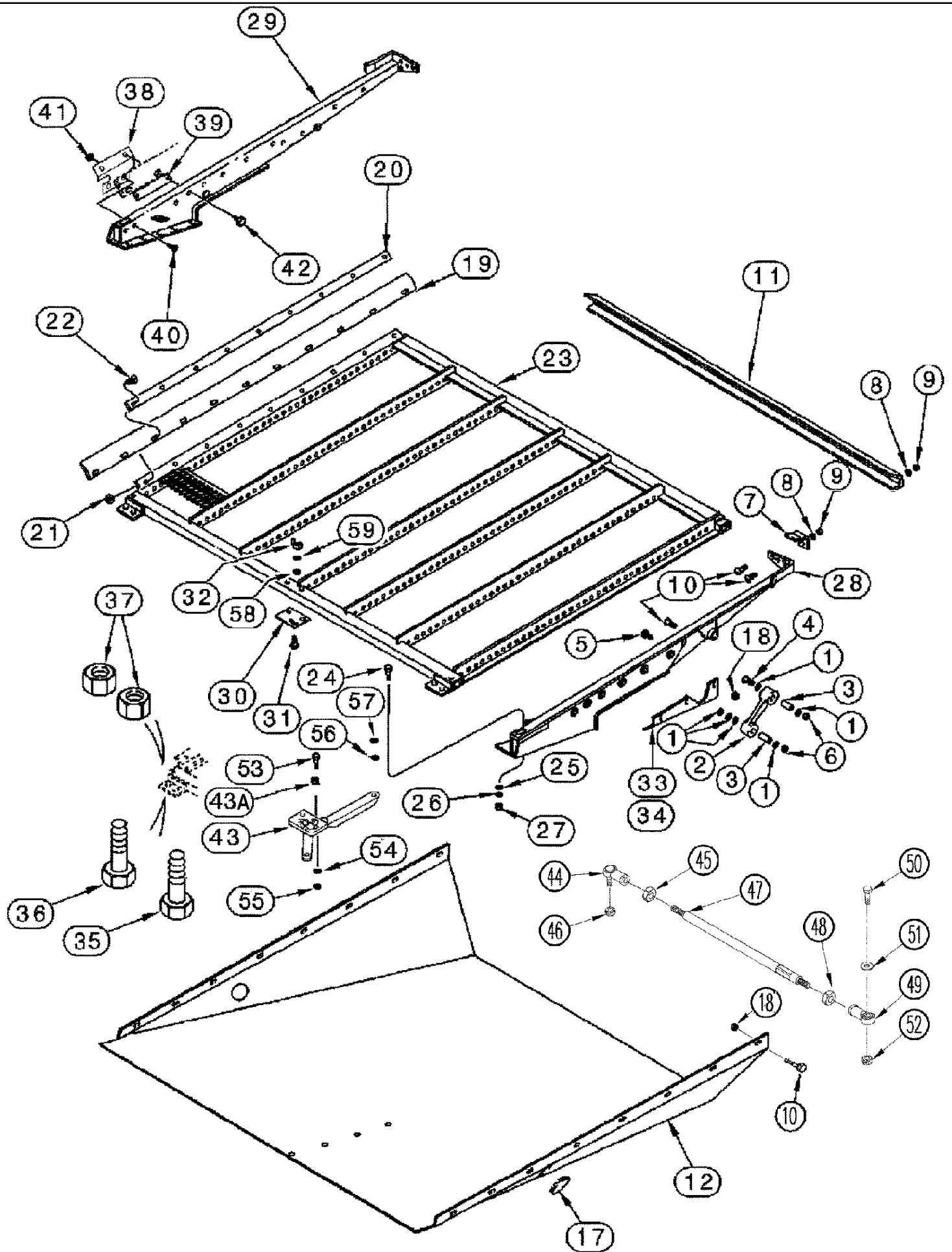
Ref	Part Number	Qty	Description
45	425-105	5	NUT, 5/16"-18, G5,
46	492-11031	5	WASHER, LOCK, 5/16",

09B-22 CHAFFER - DRIVE HANGER



09B-22 CHAFFER - DRIVE HANGER

Ref	Part Number	Qty	Description
1	87313325	2	LEVER, Inc. 2, 3, BSN HAJ303741
1	87671725	2	LEVER, Inc. 2, 3, ASN HAJ303741
2	1330323C2	1	BUSHING, 5/8 x 1-1/2 x 2-57/64
3	1979251C1	1	SHAFT,
4	432-1228	2	PIN, SPLIT (COTTER), 3/16" x 1 3/4",
5	495-81057	6	WASHER, 29/32" x 1 1/2" x .120",
6	495-81056	4	WASHER, 29/32" x 1 1/2" x .060",
7	87306801	2	BOLT, 5/8 x 4-3/4; 8
8	426-1084	2	BOLT, Hex, 5/8"-11 x 5 1/4", G8,
9	232-41110	4	NUT, LOCK, 5/8"-11, GC,
9	232-42410	2	NUT, LOCK, 5/8"-11, GC,
10	496-11066	4	WASHER, 21/32" x 1 5/16" x .095", HDN,
11	219-8	2	NIPPLE, LUBE, 1/4"-28 NPT x .54" lg, LH
12	1302644C2	2	SEAL,
	352013A1	2	SUPPORT, Inc. 13 - 15
13	NSS	1	NOT SERVICED SEPARATELY, SUPPORT
14	372756R91	2	SEAL,
15	G10642	2	BEARING, NEEDLE,
16	433-840	4	BOLT, CARRIAGE, Short NK, 1/2"-13 x 2 1/2", G5,
16A	498-81006	4	WASHER, 17/32" x 1 1/4" x .120", Sq Hole,
17	231-5148	8	NUT, Flg, USR, 1/2"-13,
18	409-7512	2	BOLT, Hex Flg, 5/16"-18 x 3/4", Serr,
19	231-5145	2	NUT, Flg, USR, 5/16"-18,
20	87323537	2	BRACKET,
21	426-832	2	BOLT, Hex, 1/2"-13 x 2", G8,
22	87301492	4	NUT, Flg, USR, 1/2"-13, G8,
23	496-21053	2	WASHER, 17/32" x 1 1/16" x .134", (Not Shown)
24	1989251C1	2	ARM, Inc. 25
25	1979383C1	1	BUSHING,
26	219-418	1	ADAPTER, 1/4"-1/8 NPTF, Right Hand Front
27	937773R91	1	HOSE, 279 mm (11 in)
29	F53473	1	NUT, 1/8 PT
30	178960C1	1	BRACKET,

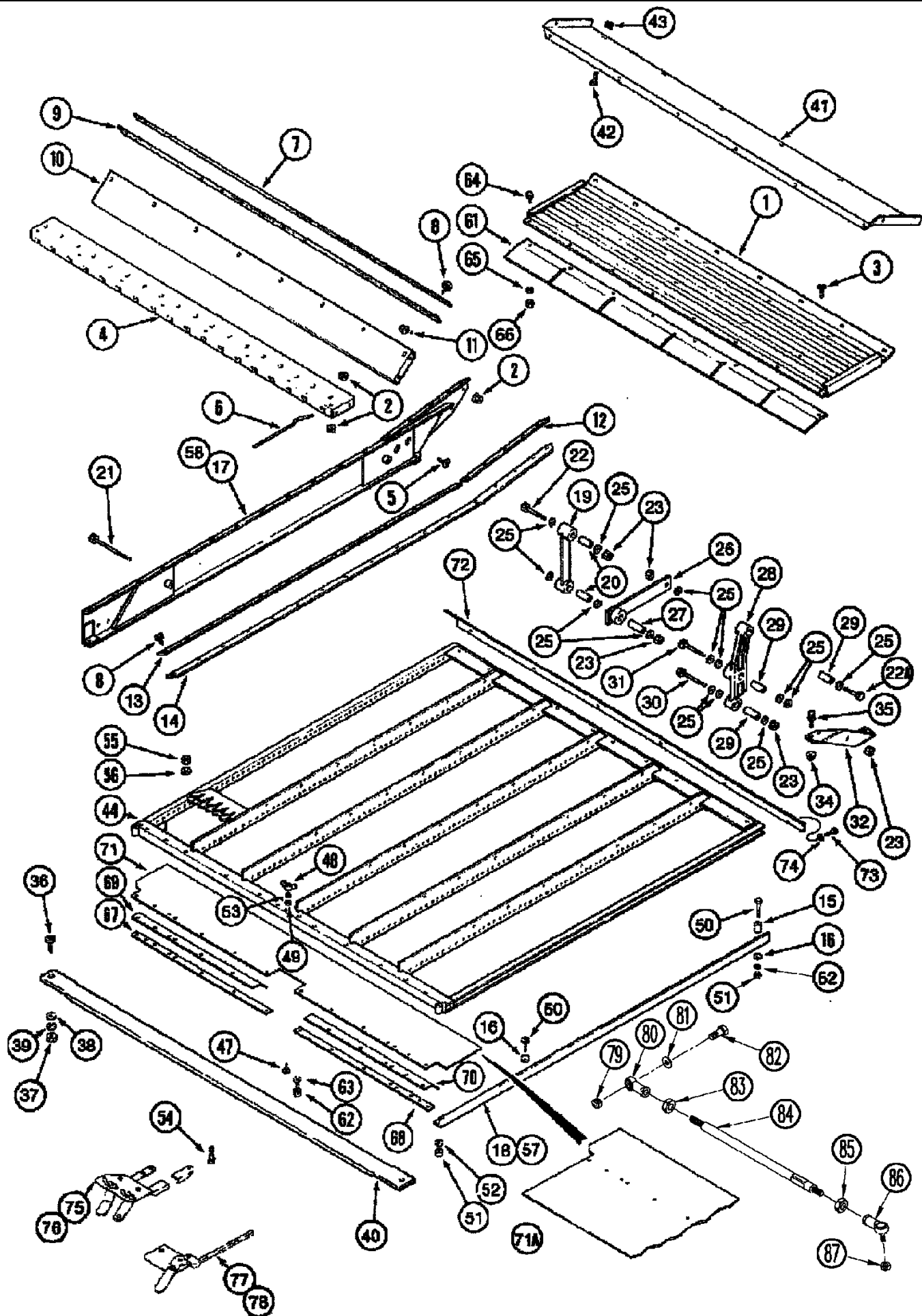


09B-23 SIEVE, SHOE

Ref	Part Number	Qty	Description
1	169256C2	12	WASHER, 41/64 x 1-1/4 x 1/8
2	1957450C1	2	ARM, Inc. 3, BSN HAJ303741
2	87671723	2	ARM ASSY., Inc. 3, ASN HAJ303741
3	1330324C1	2	BUSHING, , BSN HAJ303741
3	87538600	2	BUSHING, RUBBER, , ASN HAJ303741
4	433-1064	2	BOLT, CARRIAGE, Short NK, 5/8"-11 x 4", G5,
5	426-1080	2	BOLT, Hex, 5/8"-11 x 5", G8, , BSN HAJ303741
5	426-1084	2	BOLT, Hex, 5/8"-11 x 5 1/4", G8, , ASN HAJ303741
6	232-41110	4	NUT, LOCK, 5/8"-11, GC,
7	182684C3	2	CLIP,
8	492-11031	8	WASHER, LOCK, 5/16",
9	425-105	8	NUT, 5/16"-18, G5,
10	477-73112	AR	BOLT, Slotted Tr Hd, 5/16"-18 x 3/4",
11	1319239C1	1	ANGLE,
12	1322461C1	1	PAN,
13	434-612	2	BOLT, CARRIAGE, Short NK, 3/8"-16 x 3/4", G5, Full Thd, (Not Shown)
14	231-5146	2	NUT, Flg, USR, 3/8"-16, (Not Shown)
15	477-73112	16	BOLT, Slotted Tr Hd, 5/16"-18 x 3/4", (Not Shown)
16	231-5145	16	NUT, Flg, USR, 5/16"-18, (Not Shown)
17	205-126	2	BUTTON, HOLE PLUG, 1 3/4",
18	231-5145	AR	NUT, Flg, USR, 5/16"-18,
19	198925A1	2	SEAL, 1790 mm (70-1/2 in)
20	1325325C1	2	RETAINER,
21	231-5144	18	NUT, Flg, USR, 1/4"-20,
22	477-82508	18	SCREW, Slt'd Serr Truss Hd, 1/4"-20 x 1/2",
23	1322464C7	1	SIEVE, GRAIN, 1-1/8, Extended, With Piano Wire, See Figure 09D -11 or 09D -12 for 106743A1 adjusting lever.
23	1979328C8	1	SIEVE, GRAIN, 1-5/8, Closz, Slat, Extended, With Piano Wire, See Figure 09D -11 or 09D -12 for 106743A1 adjusting lever.
23	1347365C2	1	SIEVE, GRAIN, With 2.5 mm Round Holes, Corn and Grain, See Figure 09D -11 or 09D -12 for 106743A1 adjusting lever.
23	1347370C2		SIEVE, GRAIN, With 5 mm Round Holes, Corn and Grain, See Figure 09D -11 or 09D -12 for 106743A1 adjusting lever.
23	1347367C2	1	SIEVE, GRAIN, With 10 mm Round Holes, Corn and Grain, See Figure 09D -11 or 09D -12 for 106743A1 adjusting lever.
24	326-644	2	BOLT, Hex, 3/8"-16 x 2 3/4", G8,
25	495-81138	2	WASHER, 13/32" x 1" x .179",
26	492-11038	2	WASHER, LOCK, 3/8",
27	429-106	2	NUT, 3/8"-16, G8,
28	1979901C5	1	RAIL, Right Hand, Inc. 28A
28A	184916C1	1	SUPPORT, Front, Right Hand
29	1979900C5	1	RAIL, Left Hand, Inc. 29A
29A	184915C1	1	SUPPORT, Front, Left Hand

09B-23 SIEVE, SHOE

Ref	Part Number	Qty	Description
30	186675C1	1-2	INDICATOR, Used With 1979328C8 (2), 1322464C7 (1), REF 23
31	412-48	1	BOLT, CARRIAGE, Short NK, 1/4"-20 x 1/2", G2, Used with 374477A1, Ref 23
31	413-412	1	BOLT, Hex, 1/4"-20 x 3/4", G5, Full Thd,
32	129-409	1	NUT, WING, 1/4"-20, Used with 1979328C8, 374477A1, Ref. 23
32	231-4144	1	NUT, LOCK, 1/4"-20, GB,
32A	495-11028	1-2	WASHER, 1/4", SAE, (Not Shown), Used with 1322464C7 (1), 374477A1 (2), Ref 23
33	1325321C1	1	SUPPORT, Right Hand
34	1325320C1	1	SUPPORT ASSY., Left Hand, (Not Shown)
35	426-688	2	BOLT, Hex, 3/8"-16 x 5 1/2", G8,
36	426-672	2	BOLT, Hex, 3/8"-16 x 4 1/2", G8,
37	232-5316	4	NUT, LOCK, Flg, 3/8"-16,
38	187187A2	2	PLATE,
39	187204A1	2	BAR,
40	477-82508	4	SCREW, Slt'd Serr Truss Hd, 1/4"-20 x 1/2",
41	231-5144	4	NUT, Flg, USR, 1/4"-20,
42	138558A1	4	SCREW, 5/16 x 13/16
43	303957A2	1	LEVER, Used With 1322464C7, REF 23
43	303958A2	1	LEVER, Used With 1979328C8, REF 23
43	418800A1	1	LEVER, Used With 374477A1, REF 23, Inc. 43A
43A	418797A1	1	BUSHING, (Not Shown)
44	403123A1	1	ROD, End, Studed
45	129-289	1	NUT, Jam, 3/8"-24, G5, LH,
46	232-4646	1	NUT, LOCK, 3/8"-24, GC,
47	407140A2	1	ROD, ADJUSTMENT, Upper Chaffer Sieve
48	425-156	1	NUT, Jam, 3/8"-24, G5,
49	427179A1	1	ROD, End
50	413-620	1	BOLT, Hex, 3/8"-16 x 1 1/4", G5, Full Thd,
51	495-11041	1	WASHER, 3/8", SAE,
52	231-4146	1	NUT, LOCK, 3/8"-16, GB,
53	814-10060	1	BOLT, Hex, M10 x 60, 8.8,
53	814-10050	1	BOLT, Hex, M10 x 50, 8.8,
54	895-11010	2	WASHER, M10 x 20 x 2,
55	832-10410	2	NUT, LOCK, M10 x 1.5, CI 8,
56	895-11008	1	WASHER, M8 x 16 x 1.6,
57	832-10408	1	NUT, LOCK, M8 x 1.25, CI 8,
58	495-21031	1	WASHER, 1/4",
59	492-11025	1	WASHER, LOCK, 1/4",



Long and short fingers, Ref 6, are installed alternately on Ref 4. Long fingers only are generally used in heavy crop conditions.

09B-24 CHAFFER - SIEVE

Ref	Part Number	Qty	Description
1	1312938C1	1	GRAIN PAN,
2	231-5145	AR	NUT, Flg, USR, 5/16"-18,
3	477-73108	AR	SCREW, Sltd Serr Truss Hd, 5/16"-18 x 1/2",
4	1312969C1	1	SUPPORT,
5	460-512	4	BOLT, Hex Flg, 5/16"-18 x 3/4", G8, Full Thd,
6	175114C1	27	FINGER, Short
6	1312476C1	27	FINGER, Long
7	192050C2	1	BAR,
8	281-1478	AR	SCREW, SELF TAPPING, Hex Wash Hd, 1/4" x 1/2",
9	192049C1	1	STRIP,
10	192045C1	1	SUPPORT,
11	409-7512	4	BOLT, Hex Flg, 5/16"-18 x 3/4", Serr,
12	192052C3	2	BAR, Short
13	1325332C2	2	BAR, Long
14	1325331C1	2	STRIP, SEALING,
15	645342C1	2	SPACER, 5/8" Tube x 1",
16	495-81138	2	WASHER, 13/32" x 1" x .179",
17	1322452C2	1	RAIL,
18	1325333C3	1	SUPPORT, Left Hand
19	1957455C1	2	ARM, Inc. 20, BSN HAJ303741
19	87671724	2	ARM ASSY., Inc. 20, ASN HAJ303741
20	1330324C1	2	BUSHING, , BSN HAJ303741
20	87538600	2	BUSHING, RUBBER, , ASN HAJ303741
21	426-10120	2	BOLT, Hex, 5/8"-11 x 7 1/2", G8,
22	426-1064	2	BOLT, Hex, 5/8"-11 x 4", G8,
22A	426-1072	2	BOLT, Hex, 5/8"-11 x 4 1/2", G8,
23	232-41110	10	NUT, LOCK, 5/8"-11, GC,
23	425-1410	1	NUT, Jam, 5/8"-11, G5,
25	496-11066	26	WASHER, 21/32" x 1 5/16" x .095", HDN,
25	495-81057	4	WASHER, 29/32" x 1 1/2" x .120",
26	1330357C1	2	ARM, Inc. 27, BSN HAJ303741
26	87671722	2	ARM ASSY., Inc. 27, ASN HAJ303741
27	1330324C1	1	BUSHING, , BSN HAJ303741
27	87538600	1	BUSHING, RUBBER, , ASN HAJ303741
28	1957460C2	2	LEVER, Inc. 29, BSN HAJ303741
28	87672100	2	ARM ASSY., Inc. 29, ASN HAJ303741
29	1330323C2	3	BUSHING, 5/8 x 1-1/2 x 2-57/64, BSN HAJ303741
29	87538599	3	BUSHING, RUBBER, , ASN HAJ303741
30	426-1096	2	BOLT, Hex, 5/8"-11 x 6", G8,
31	433-1080	2	BOLT, CARRIAGE, Short NK, 5/8"-11 x 5", G5,
32	1968827C1	1	SUPPORT, Left Hand
33	1968828C1	1	SUPPORT, Right Hand, (Not Shown)
34	231-5146	8	NUT, Flg, USR, 3/8"-16,

Long and short fingers, Ref 6, are installed alternately on Ref 4. Long fingers only are generally used in heavy crop conditions.

09B-24 CHAFFER - SIEVE

Ref	Part Number	Qty	Description
35	409-7612	8	BOLT, Hex Flg, 3/8"-16 x 3/4", Serr,
36	443-13116	AR	SCREW, Cross Flat Hd, 5/16"-18 x 1",
37	425-105	AR	NUT, 5/16"-18, G5,
38	495-81116	AR	WASHER, .344" x 1" x .060",
39	492-11031	AR	WASHER, LOCK, 5/16",
40	1322458C3	1	SUPPORT,
41	192065C1	1	SUPPORT,
42	477-73112	14	BOLT, Slotted Tr Hd, 5/16"-18 x 3/4",
42	409-7520	8	BOLT, Hex Flg, 5/16"-18 x 1 1/4", Serr,
42	477-73116	2	SCREW, Slt'd Serr Truss Hd, 5/16"-18 x 1",
43	231-5145	14	NUT, Flg, USR, 5/16"-18,
44	1322673C6	1	SIEVE, GRAIN, 1-5/8, Closz Slat Chaffer, Inc 76, 77, 88 - 93
44	1322659C6	1	SIEVE, GRAIN, 1-5/8, Corn Slat Chaffer, Inc. (1 each) 47, 48, 53, 64, 76, 77, 78C
44	1347372C7	1	SIEVE, GRAIN, Petersen Chaffer, Inc. (1 each) 47 - 48A, 53, 64, 75, 78, 78C; (2 each) 48A
44	1322467C6	1	SIEVE, GRAIN, 1-1/8, Closz Slat, Adjustable Chaffer, Inc. (1 each) 47 - 48A, 53, 64; (2 each) 49, 75, If Used
47	412-48	1	BOLT, CARRIAGE, Short NK, 1/4"-20 x 1/2", G2,
48	231-4144	1	NUT, LOCK, 1/4"-20, GB,
48A	495-11028	2	WASHER, 1/4", SAE, Used with 1322673C6, 1322659C6, 1347372C7
49	495-21031	2	WASHER, 1/4", Used with 1322467C6
50	326-644	2	BOLT, Hex, 3/8"-16 x 2 3/4", G8,
51	429-106	4	NUT, 3/8"-16, G8,
52	80680	4	WASHER, LOCK, 3/8",
53	492-11025	1-3	WASHER, LOCK, 1/4",
54	413-532	7	BOLT, Hex, 5/16"-18 x 2", G5,
54	413-536	4	BOLT, Hex, 5/16"-18 x 2 1/4", G5,
55	232-4115	14	NUT, LOCK, 5/16"-18, GC,
56	495-81119	14	WASHER, .344" x 1 1/4" x .060",
57	1325334C3	1	SUPPORT, Right Hand
58	1322453C2	1	RAIL, Right Hand
61	1994858C1	1	COVER,
62	1327799C2	2	BOLT, Hex Flg Hd, 3/8"-16 x 1 1/4", G5, Coated,
63	492-11038	2	WASHER, LOCK, 3/8",
64	413-412	1	BOLT, Hex, 1/4"-20 x 3/4", G5, Full Thd,
65	492-11025	8	WASHER, LOCK, 1/4",
66	425-104	8	NUT, 1/4"-20, G5,
67	1338345C2	1	RETAINER, Left Hand
68	1338346C1	1	RETAINER, Right Hand
69	1322698C3	1	ANGLE, Left Hand Rear
70	1322699C3	1	ANGLE, Right Hand Rear
71	1979332C4	1	SEAL, , With Straw Chopper
71A	124004A2	1	SEAL, , With Straw and Chaff Spreader
72	120001A1	1	DEFLECTOR, Used With 1347372C7

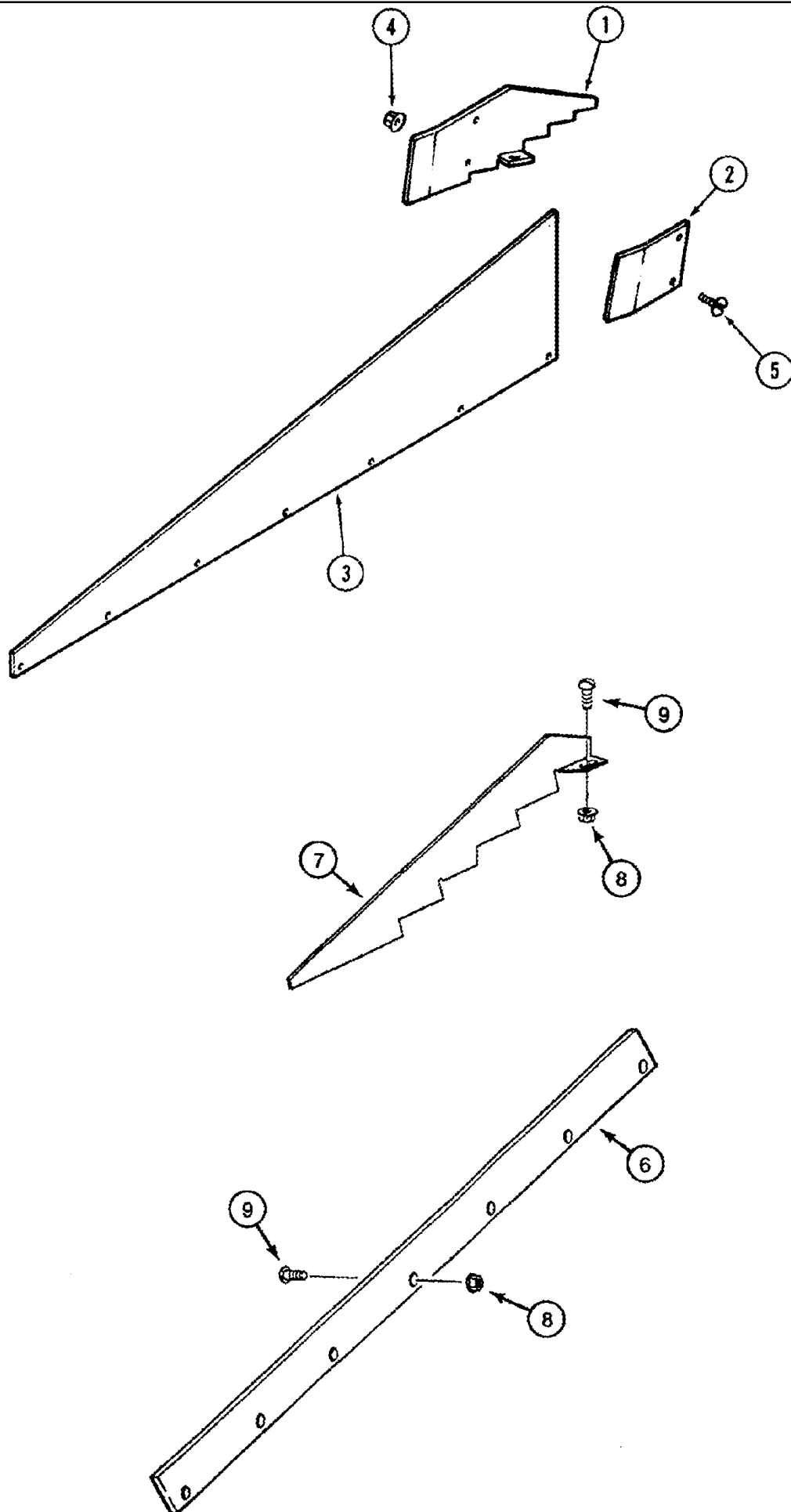
Long and short fingers, Ref 6, are installed alternately on Ref 4. Long fingers only are generally used in heavy crop conditions.

09B-24 CHAFFER - SIEVE

Ref	Part Number	Qty	Description
73	281-5458	6	SCREW, SELF TAPPING, Hex Wash Hd, #10 x 1/2",
74	495-31022	6	WASHER, #10,
75	280367A2	1	LEVER, Rear, Used With 1322467C6, 1347372C7
76	280369A2	1	LEVER, Rear, Used With 1322659C6, 1322673C6
77	280365A2	1	LEVER, Front, Used With 1322659C6, 1322673C6
78	280375A1	1	LEVER, Front, Used With 1347372C7
78C	120667A1	1	PLATE, Indicator, Double Adjustment Lever, Used With 1322467C6, 1347372ZC7, 1322659C6, 1322673C6 Not Illustrated
79	231-4146	1	NUT, LOCK, 3/8"-16, GB,
80	427179A1	1	ROD, End
81	495-11041	1	WASHER, 3/8", SAE,
82	413-620	1	BOLT, Hex, 3/8"-16 x 1 1/4", G5, Full Thd,
83	425-156	1	NUT, Jam, 3/8"-24, G5,
84	407139A2	1	ROD, ADJUSTMENT, Upper Chaffer Sieve
85	129-289	1	NUT, Jam, 3/8"-24, G5, LH,
86	403123A1	1	ROD, End, Studded
87	232-4646	1	NUT, LOCK, 3/8"-24, GC,

Long and short fingers, Ref 6, are installed alternately on Ref 4. Long fingers only are generally used in heavy crop conditions.

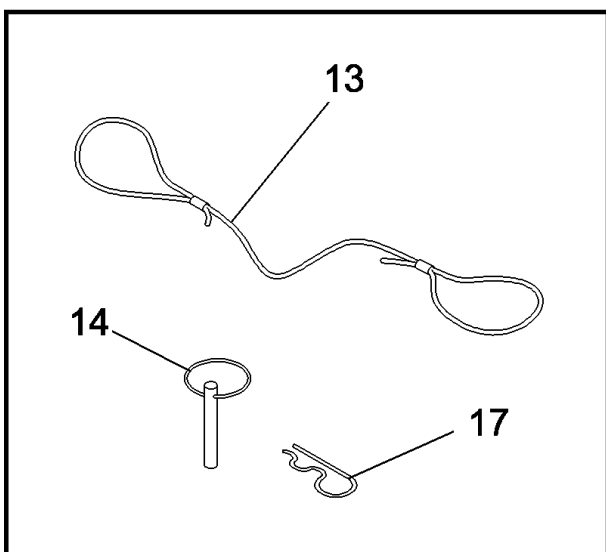
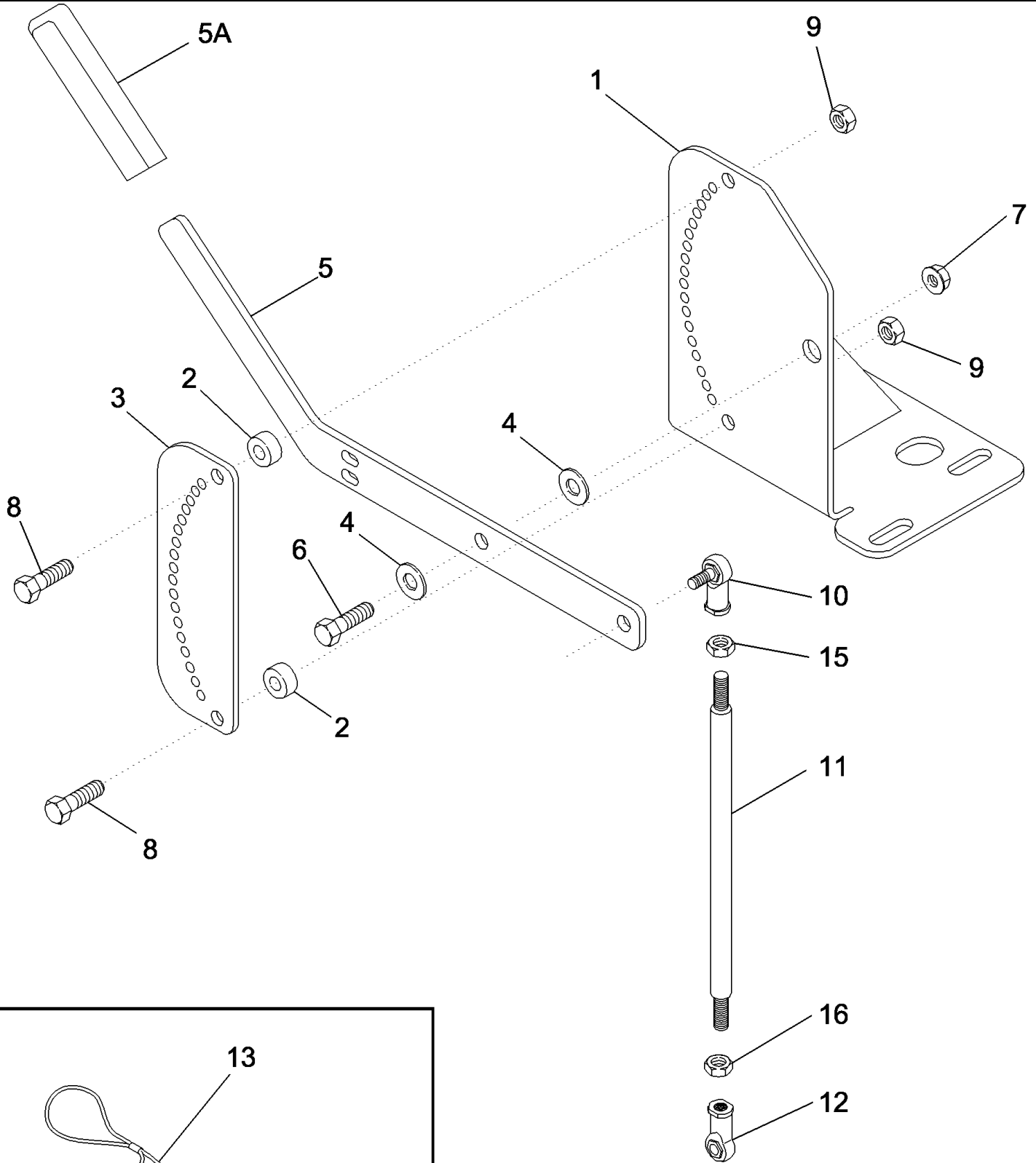
09B-25 GRAIN PAN SIDE HILL DIVIDERS



09B-25 GRAIN PAN SIDE HILL DIVIDERS

Ref	Part Number	Qty	Description
	180771C91	5	KIT, Hillside Grain Pan Divider, Tall, Inc. 1 - 5
1	87584221	1	DIVIDER,
2	185116C1	1	RETAINER,
3	185114C1	1	DIVIDER,
4	231-5144	11	NUT, Flg, USR, 1/4"-20,
5	477-82508	11	SCREW, Slt'd Serr Truss Hd, 1/4"-20 x 1/2",
	87585380	5	PACKAGE, REPAIR, Hillside Grain Pan Divider, Short, Inc. 6 - 9
6	1957596C2	1	DIVIDER,
7	1957597C1	1	DIVIDER,
8	231-5144	9	NUT, Flg, USR, 1/4"-20,
9	477-82508	9	SCREW, Slt'd Serr Truss Hd, 1/4"-20 x 1/2",

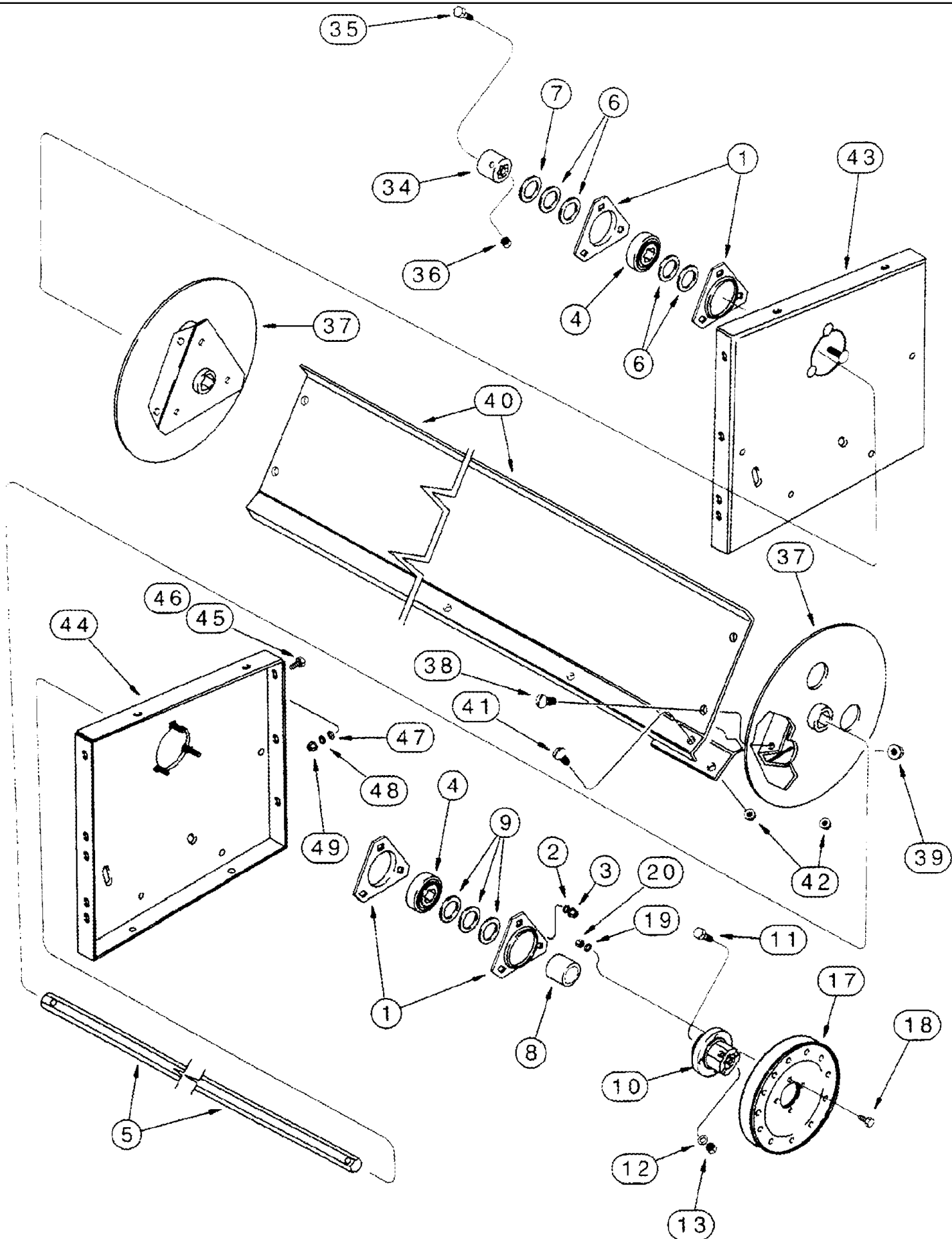
09B-26 SIEVE ADJUSTMENT



09B-26 SIEVE ADJUSTMENT

Ref	Part Number	Qty	Description
1	399898A4	1	BRACKET, Mounting
2	416491A2	2	SPACER,
3	399763A2	1	PLATE, Location Indicator
4	495-11041	2	WASHER, 3/8", SAE,
5	399778A2	1	HANDLE, Adjustment
5A	433741A1	1	GRIP,
6	413-620	1	BOLT, Hex, 3/8"-16 x 1 1/4", G5, Full Thd,
7	231-5146	1	NUT, Flg, USR, 3/8"-16,
8	413-520	2	BOLT, Hex, 5/16"-18 x 1 1/4", G5,
9	231-4145	2	NUT, LOCK, 5/16"-18, GB,
10	403123A1	2	ROD, End
11	407139A2	1	ROD, ADJUSTMENT, Upper, Chaffer Sieve Adjustment, Inc. (1) 25-116 Nut
11	407140A2	1	ROD, ADJUSTMENT, Lower, Shoe Sieve Adjustment, Inc. (1) 25-116 Nut
12	427179A1	2	ROD, End
13	427336A1	2	CABLE,
14	87453256	2	PIN, Quick Release
15	129-289	2	NUT, Jam, 3/8"-24, G5, LH,
16	425-156	2	NUT, Jam, 3/8"-24, G5,
17	136-154	2	PIN, SPLIT (COTTER), Int, 7/64" x .072",

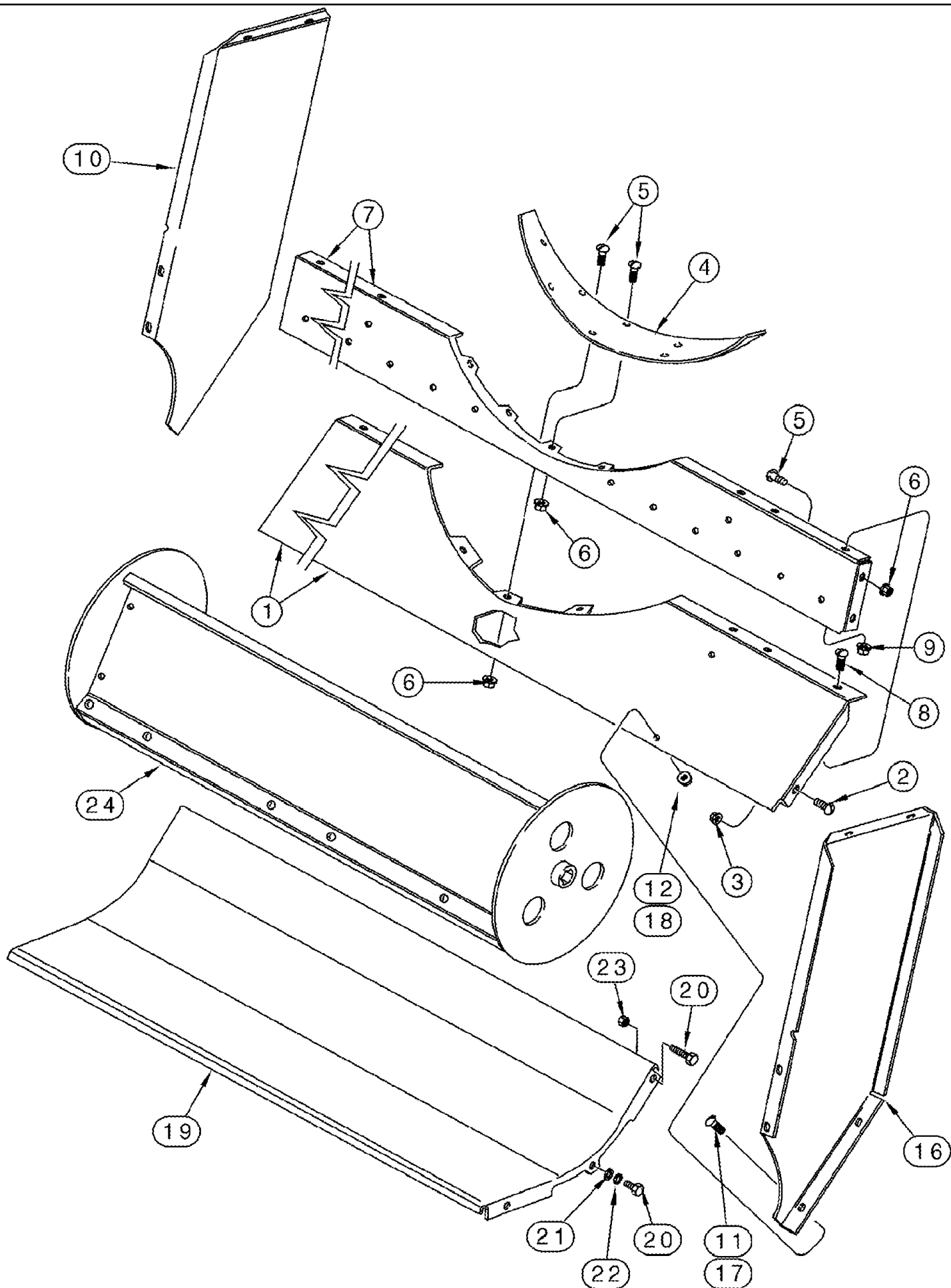
09C-01 BEATER - DISCHARGE



09C-01 BEATER - DISCHARGE

Ref	Part Number	Qty	Description
1	86620026	4	FLANGE,
2	492-11038	6	WASHER, LOCK, 3/8",
3	425-106	6	NUT, 3/8"-16, G5,
4	156816C91	2	BEARING, BALL,
5	1302176C2	1	SHAFT,
6	495-81211	5	WASHER, 1 11/32" x 2" x .120",
7	495-81210	AR	WASHER, 1 11/32" x 2" x .060",
8	632147R1	1	SPACER, 1-5/8 OD x 1-5/8
9	495-81211	3	WASHER, 1 11/32" x 2" x .120",
10	1319402C1	1	HUB,
11	20987	1	BOLT, Hex, 1/2"-13 x 2 1/2", G8,
12	496-41053	1	WASHER, 17/32" x 1 1/4" x 3/16",
13	232-4118	1	NUT, LOCK, 1/2"-13, GC,
17	195161C1	1	PULLEY, 8-3/8 in OD
18	413-516	4	BOLT, Hex, 5/16"-18 x 1", G5, Full Thd,
19	492-11031	4	WASHER, LOCK, 5/16",
20	425-105	4	NUT, 5/16"-18, G5,
34	117051A1	1	HUB, Hub
35	413-632	1	BOLT, Hex, 3/8"-16 x 2", G5,
36	231-4116	1	NUT, LOCK, 3/8"-16, GB,
37	1319266C1	2	HUB, Triangular Beater
38	477-73812	12	SCREW, Sltd Serr Truss Hd, 3/8" x 3/4",
39	231-5146	12	NUT, Flg, USR, 3/8"-16,
40	1319270C1	3	BLADE,
41	477-73812	18	SCREW, Sltd Serr Truss Hd, 3/8" x 3/4",
42	231-5146	18	NUT, Flg, USR, 3/8"-16,
43	181061C2	1	SUPPORT, Left Hand
44	181062C2	1	SUPPORT, Right Hand
45	413-616	13	BOLT, Hex, 3/8"-16 x 1", G5, Full Thd,
46	413-620	1	BOLT, Hex, 3/8"-16 x 1 1/4", G5, Full Thd, Left Hand
46	413-624	2	BOLT, Hex, 3/8"-16 x 1 1/2", G5, Right Hand
47	495-11041	18	WASHER, 3/8", SAE,
48	492-11038	16	WASHER, LOCK, 3/8",
49	425-106	18	NUT, 3/8"-16, G5,

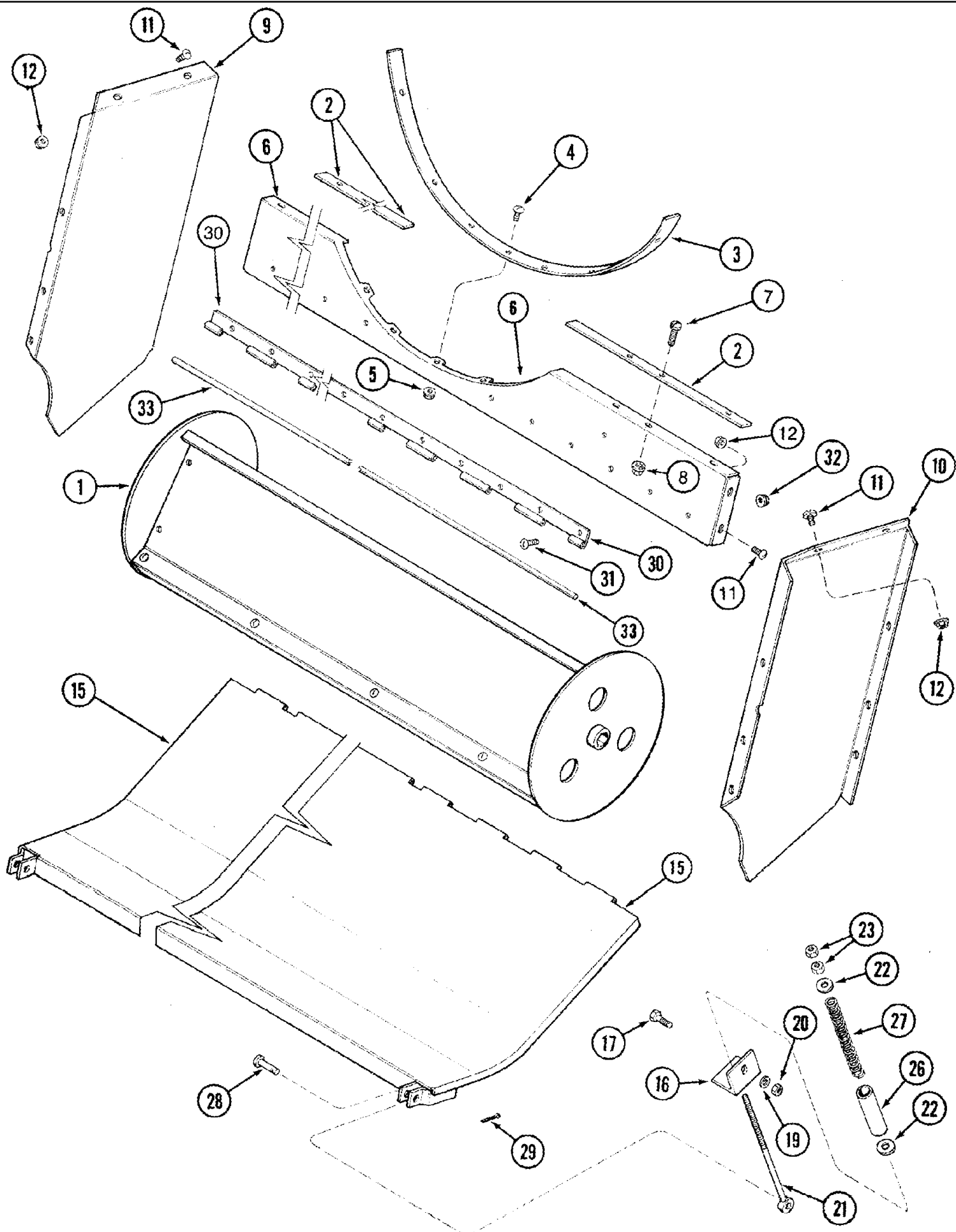
09C-02 BEATER PAN - DISCHARGE - CORN AND GRAIN - FIXED



09C-02 BEATER PAN - DISCHARGE - CORN AND GRAIN - FIXED

Ref	Part Number	Qty	Description
1	191000C1	1	SUPPORT, Beater Discharge
2	477-73812	2	SCREW, Sltd Serr Truss Hd, 3/8" x 3/4",
3	231-5146	2	NUT, Flg, USR, 3/8"-16,
4	193916C1	1	SUPPORT, Beater Pan, Front Bottom
5	477-73812	7	SCREW, Sltd Serr Truss Hd, 3/8" x 3/4",
6	231-5146	7	NUT, Flg, USR, 3/8"-16,
7	182931C1	1	SUPPORT, Cage, Lower Rear
8	477-73112	6	BOLT, Slotted Tr Hd, 5/16"-18 x 3/4",
9	231-5145	6	NUT, Flg, USR, 5/16"-18,
10	193454C1	1	DEFLECTOR, Discharge Deflector, Left Hand
11	477-73812	5	SCREW, Sltd Serr Truss Hd, 3/8" x 3/4",
11	477-73816	1	SCREW, Sltd Serr Truss Hd, 3/8" x 1",
12	231-5146	6	NUT, Flg, USR, 3/8"-16,
16	193455C1	1	DEFLECTOR, Discharge, Right Hand
17	477-73812	5	SCREW, Sltd Serr Truss Hd, 3/8" x 3/4",
17	477-73816	1	SCREW, Sltd Serr Truss Hd, 3/8" x 1",
18	231-5146	6	NUT, Flg, USR, 3/8"-16,
19	195454C2	1	SUPPORT, Rear Bottom
20	413-616	6	BOLT, Hex, 3/8"-16 x 1", G5, Full Thd,
21	496-41041	4	WASHER, 13/32" x 1 1/8" x .134",
22	492-11038	4	WASHER, LOCK, 3/8",
23	232-4116	2	NUT, LOCK, 3/8"-16, GC,
24	REF	1	INSTRUCTION, Beater Assy, Discharge, See Figure 09C-01

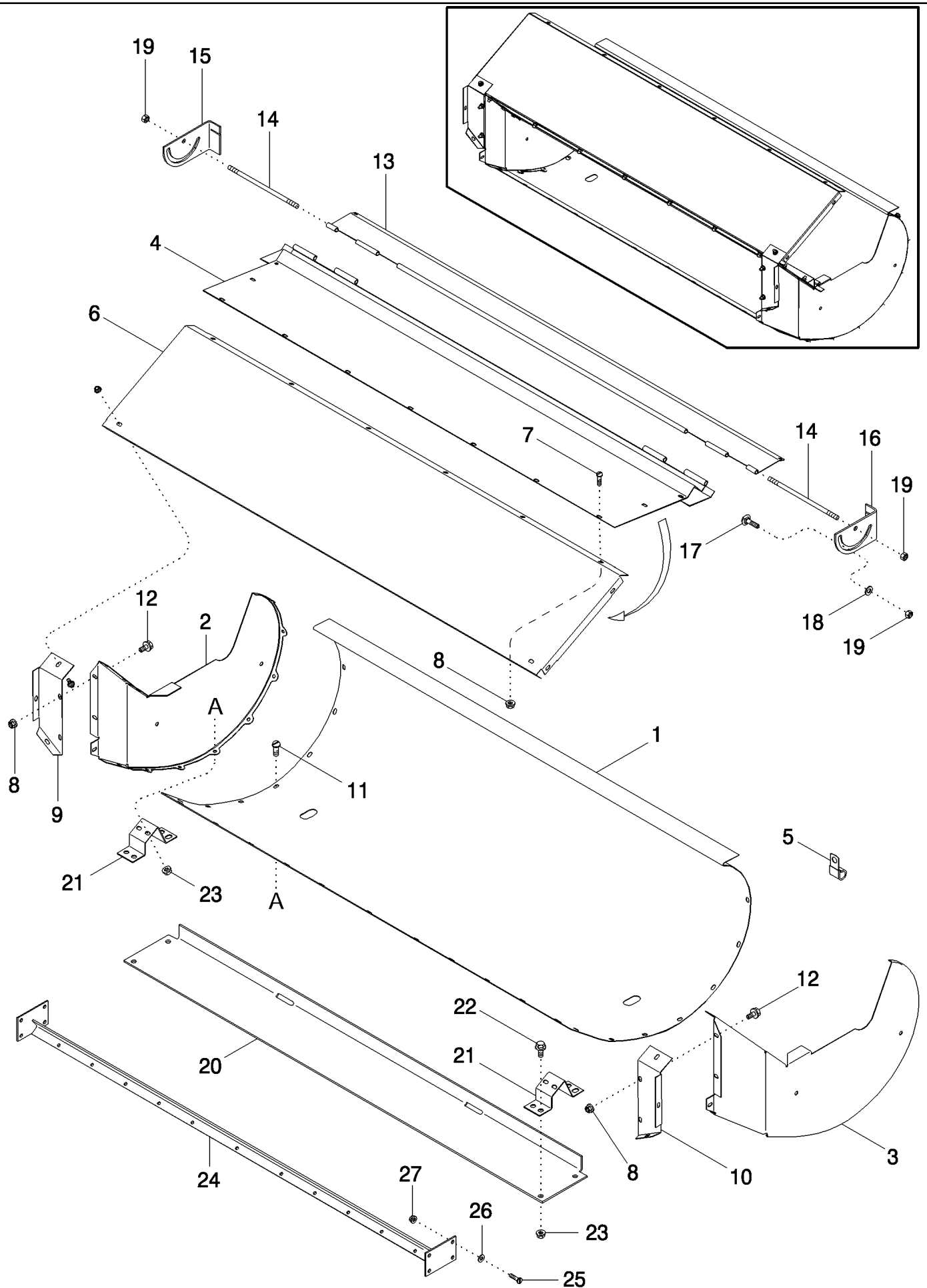
09C-03 BEATER PAN - DISCHARGE - RICE - SPRING LOADED



09C-03 BEATER PAN - DISCHARGE - RICE - SPRING LOADED

Ref	Part Number	Qty	Description
1	REF	1	INSTRUCTION, Beater Assy. Discharge, See Figure 09C-01
2	182895C1	2	FILLER,
3	182950C1	1	SUPPORT, Rear
4	477-73812	7	SCREW, Sltd Serr Truss Hd, 3/8" x 3/4",
5	231-5146	7	NUT, Flg, USR, 3/8"-16,
6	182931C1	1	SUPPORT, Cage, Lower Rear
7	477-73112	6	BOLT, Slotted Tr Hd, 5/16"-18 x 3/4",
8	231-5145	6	NUT, Flg, USR, 5/16"-18,
9	182948C2	1	DEFLECTOR, Discharge Support, Left Hand
10	182949C2	1	DEFLECTOR, Discharge Support, Right Hand
11	477-73812	14	SCREW, Sltd Serr Truss Hd, 3/8" x 3/4",
12	231-5146	14	NUT, Flg, USR, 3/8"-16,
15	182926C2	1	BOTTOM, Beater
16	182896C2	2	SUPPORT, Spring
17	280165	2	BOLT, Hex, 3/8"-16 x 1 1/4", G8, Full Thd,
19	496-41041	2	WASHER, 13/32" x 1 1/8" x .134",
20	232-4116	2	NUT, LOCK, 3/8"-16, GC,
21	182892C2	2	BOLT,
22	495-81162	4	WASHER, 17/32" x 1 1/2" x .179",
23	425-108	4	NUT, 1/2"-13, G5,
26	182981C1	2	SPACER, Spring
27	391745R1	2	SPRING,
28	439-1828	2	PIN, HEADED, 1/2" x 1 3/4",
29	432-1216	2	PIN, SPLIT (COTTER), 3/16" x 1",
30	182893C1	2	HINGE,
31	477-73812	14	SCREW, Sltd Serr Truss Hd, 3/8" x 3/4",
32	231-5146	14	NUT, Flg, USR, 3/8"-16,
33	182980C1	1	ROD,

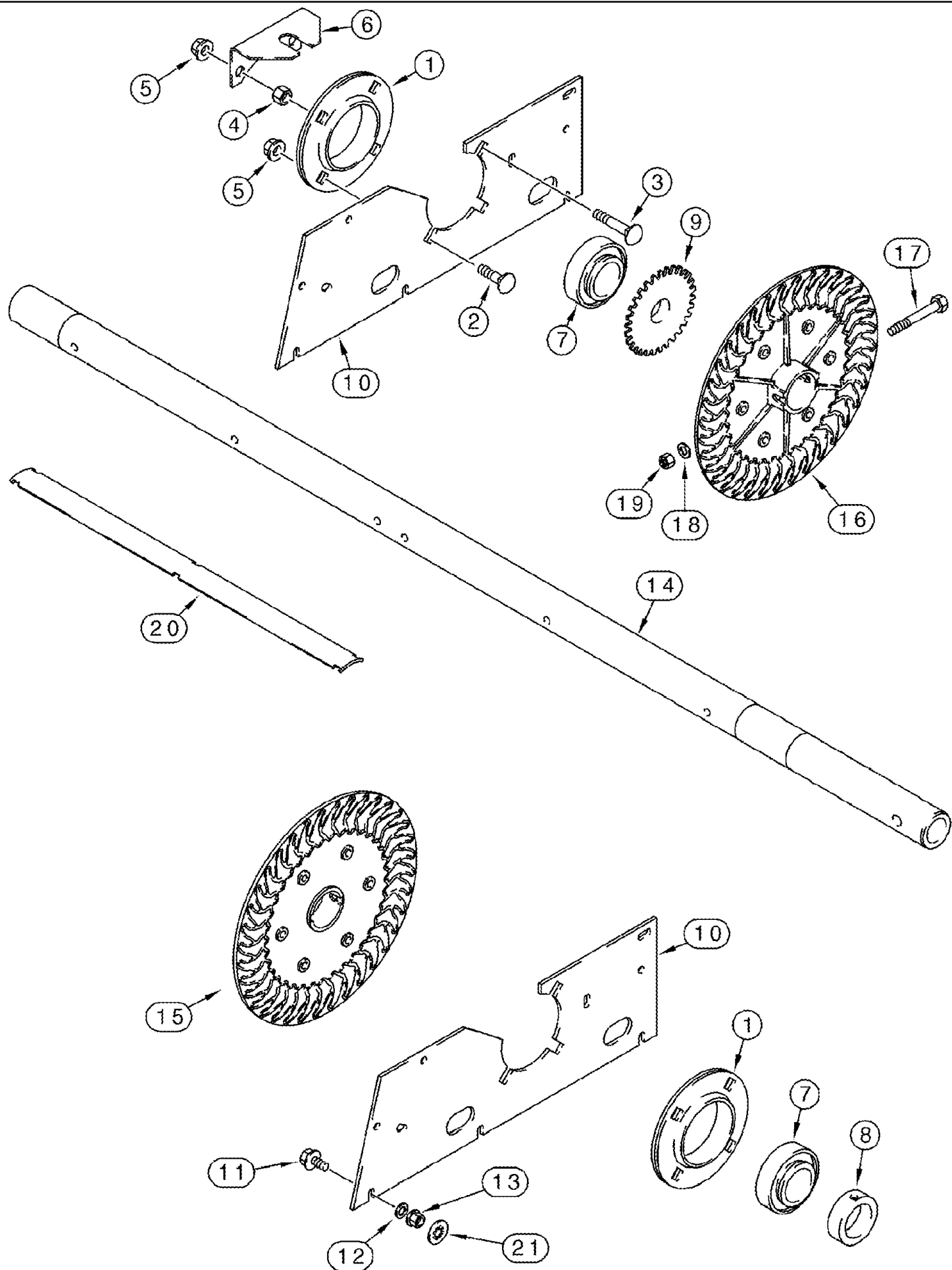
09C-04 CLEANING FAN - HOUSING



09C-04 CLEANING FAN - HOUSING

Ref	Part Number	Qty	Description
1	1347466C1	1	HOUSING,
2	1347012C2	1	PLATE, Left Hand
3	1347013C2	1	PLATE, Right Hand
4	1541547C1	1	PLATE, Upper
5	516-23127	1	CLAMP, J, 9/16" Insul, 3/8" Bolt,
6	1989340C1	1	PLATE,
7	477-73112	7	BOLT, Slotted Tr Hd, 5/16"-18 x 3/4",
8	231-5145	29	NUT, Flg, USR, 5/16"-18,
9	1541928C1	1	SUPPORT, Filler Left Hand
10	1541929C1	1	SUPPORT, Filler Right Hand
11	477-73108	12	SCREW, Sltd Serr Truss Hd, 5/16"-18 x 1/2",
12	409-7512	10	BOLT, Hex Flg, 5/16"-18 x 3/4", Serr,
13	1347030C1	1	HOOD,
14	185197C1	1	ROD,
15	1989693C2	1	PLATE, Left Hand
16	1989694C2	1	PLATE, Right Hand
17	434-512	2	BOLT, CARRIAGE, Short NK, 5/16"-18 x 3/4", G5, Full Thd,
18	495-81116	2	WASHER, .344" x 1" x .060",
19	231-5345	2	NUT, LOCK, Flg, 5/16"-18,
20	1989627C2	1	SUPPORT, Front
21	1541543C1	2	BRACKET, Front
22	409-7820	4	BOLT, Hex Flg, 1/2"-13 x 1 1/4", Serr,
23	231-5148	4	NUT, Flg, USR, 1/2"-13,
24	191928C1	1	SUPPORT, Rear
25	477-73812	6	SCREW, Sltd Serr Truss Hd, 3/8" x 3/4",
26	495-81135	4	WASHER, 13/32" x 1" x .120",
27	231-5146	6	NUT, Flg, USR, 3/8"-16,

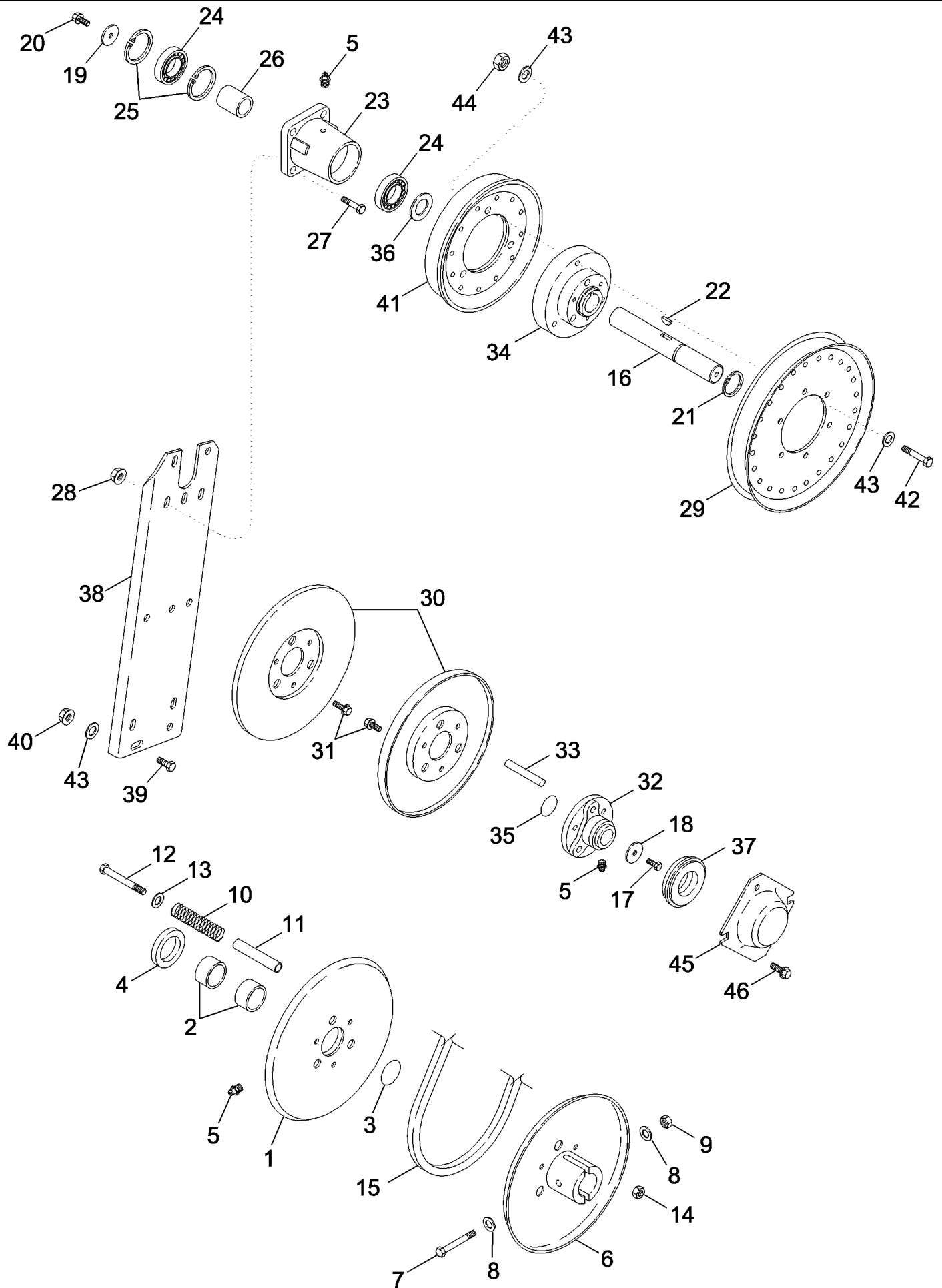
09C-05 CLEANING FAN - SHAFT AND SUPPORTS



09C-05 CLEANING FAN - SHAFT AND SUPPORTS

Ref	Part Number	Qty	Description
1	716840	4	FLANGE,
2	434-816	6	BOLT, CARRIAGE, Short NK, 1/2"-13 x 1", G5, Full Thd,
3	434-824	2	BOLT, CARRIAGE, Short NK, 1/2"-13 x 1 1/2", G5, Full Thd,
4	425-108	2	NUT, 1/2"-13, G5,
5	231-5148	10	NUT, Flg, USR, 1/2"-13,
6	1541554C1	1	SUPPORT,
7	668719R92	2	BEARING, BALL,
8	86999734	1	COLLAR,
9	1541555C1	1	SPROCKET,
10	120870A1	2	SUPPORT, Inc. Decal ZA211862, See Figure 09H-19, REF 14
11	409-7616	6	BOLT, Hex Flg, 3/8"-16 x 1", Serr,
12	495-81143	6	WASHER, 13/32" x 1 1/2" x .120",
13	231-5146	6	NUT, Flg, USR, 3/8"-16,
	1541936C3	1	FAN, Inc. 14 - 20
14	1989543C3	1	SHAFT,
15	1541560C1	3	DISC, Right Hand
16	1541570C1	3	DISC, Left Hand
17	331175	6	BOLT, Hex, M8 x 75, 8.8,
18	140016	12	WASHER, M8 x 16 x 1.6,
19	86629542	6	NUT, LOCK, M8 x 1.25, CI 8,
20	1347001C1	72	PADDLE,
21	131-415	6	NUT, LOCK, Push, Bolt Retainer, 3/8" x 25/32",

09C-06 CLEANING FAN - DRIVE



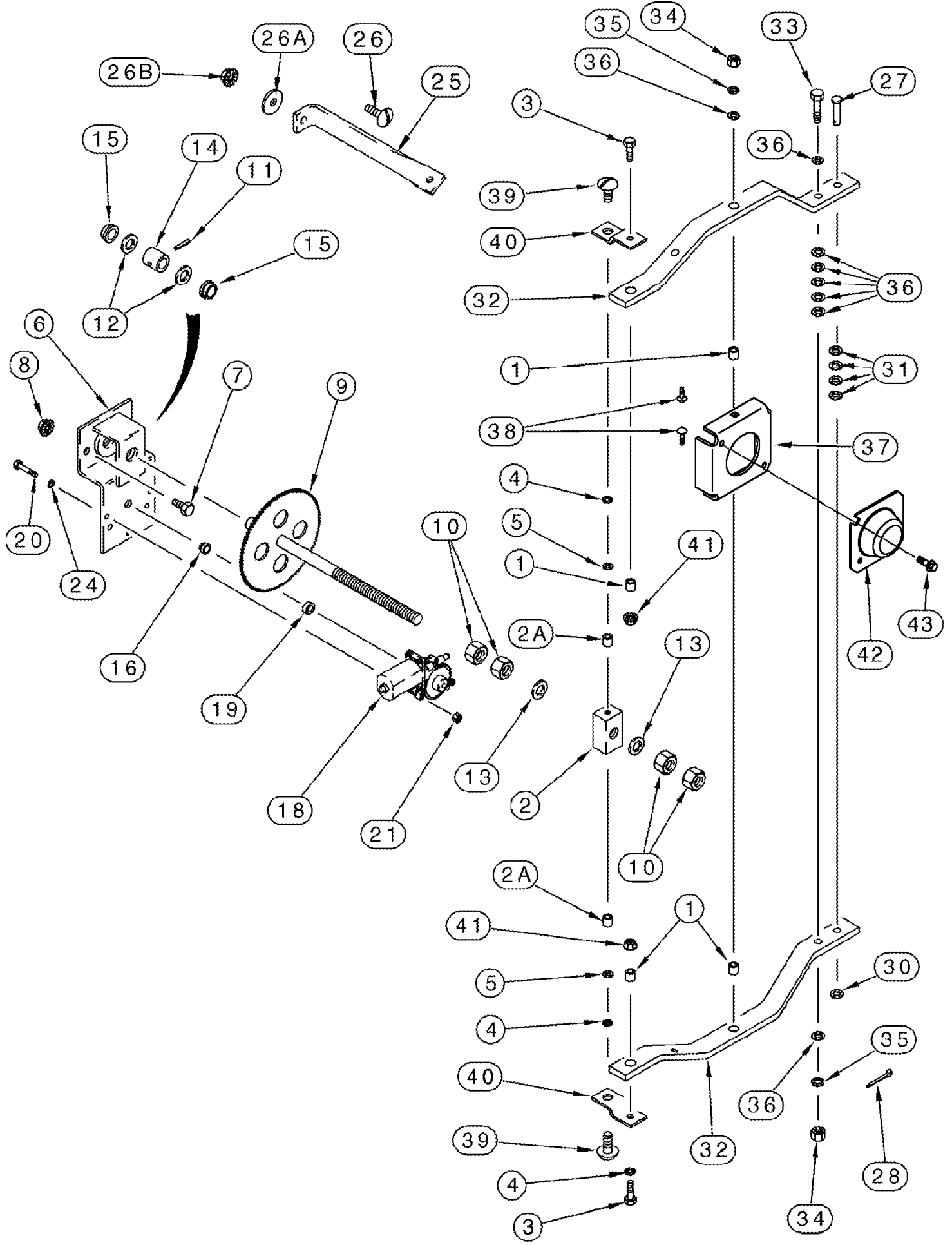
09C-06 CLEANING FAN - DRIVE

Ref	Part Number	Qty	Description
	1541552C2	1	PULLEY, 11-1/4 OD, Inc. 2 - 4
1	NSS	1	NOT SERVICED SEPARATELY, Pulley
2	1541551C1	2	BUSHING,
3	238-5327	1	O-RING, -327, 70 Duro, 1.725" ID x .210" Thk,
4	1541775C1	1	SEAL, 1-47/64 ID x 2-21/64
5	219-87	3	NIPPLE, LUBE, 1/4"-28 x .56" lg, Self-Tap,
6	87522943	1	PULLEY, 11-1/4 OD
7	426-856	1	BOLT, Hex, 1/2"-13 x 3 1/2", G8,
8	496-31053	2	WASHER, 17/32" x 1 1/16" x .188", HDN,
9	232-4118	1	NUT, LOCK, 1/2"-13, GC,
10	1302181C2	3	SPRING,
11	1302180C2	3	BUSHING,
12	413-580	3	BOLT, Hex, 5/16"-18 x 5", G5,
13	495-81116	3	WASHER, .344" x 1" x .060",
14	231-4115	3	NUT, LOCK, 5/16"-18, GB,
15	301146A1	1	BELT, 72-3/4
16	194853C3	1	SHAFT,
17	413-58	1	BOLT, Hex, 5/16"-18 x 1/2", G5, Full Thd,
18	495-81121	1	WASHER, .344" x 1 1/2" x .060",
19	195-81030	1	WASHER, 17/32 x 1-1/2 x 3/16
20	1302143C1	1	BOLT, 1/2 x 1
21	100-16125	1	RING, SNAP, #125, Ext,
22	126-125	1	KEY, WOODRUFF, #B, 5/16" x 1", HT,
23	192418C1	1	HUB,
24	1302725C91	2	BEARING, BALL,
25	360936R1	2	RING,
26	152926C1	1	SPACER, 2 x 1-5/8 x 1-7/8
27	413-624	3	BOLT, Hex, 3/8"-16 x 1 1/2", G5,
28	231-5146	3	NUT, Flg, USR, 3/8"-16,
29	295918A1	1	PULLEY,
30	301141A1	2	PULLEY, 12 OD
31	115745A1	6	SCREW,
32	185286C91	1	HUB, Inc. 33
33	37-1856	3	DOWEL, 1/2" x 3 1/2",
34	183333C1	1	HUB,
35	238-5218	1	O-RING, -218, 70 Duro, 1.234" ID x .139" Thk,
36	183274C2	1	WASHER, 1-9/32 x 1-7/8 x 3/16
37	168215C92	1	BEARING, THRUST,
38	189967A1	1	SUPPORT, Inc. Decal 144385A1, See Figure 09H-19, REF 9
39	477-73812	6	SCREW, Slt'd Serr Truss Hd, 3/8" x 3/4",
40	231-5146	6	NUT, Flg, USR, 3/8"-16,
41	193948C1	1	PULLEY, 9-3/4 in OD
42	413-640	3	BOLT, Hex, 3/8"-16 x 2 1/2", G5,

09C-06 CLEANING FAN - DRIVE

Ref	Part Number	Qty	Description
43	495-81135	9	WASHER, 13/32" x 1" x .120",
44	231-4116	3	NUT, LOCK, 3/8"-16, GB,
45	86990344	1	COVER, Fan Drive Bearing
46	281-24812	2	SCREW, SELF TAPPING, Hex Wash Hd, 5/16" x 3/4",

09C-07 CLEANING FAN - DRIVE SPEED CONTROL



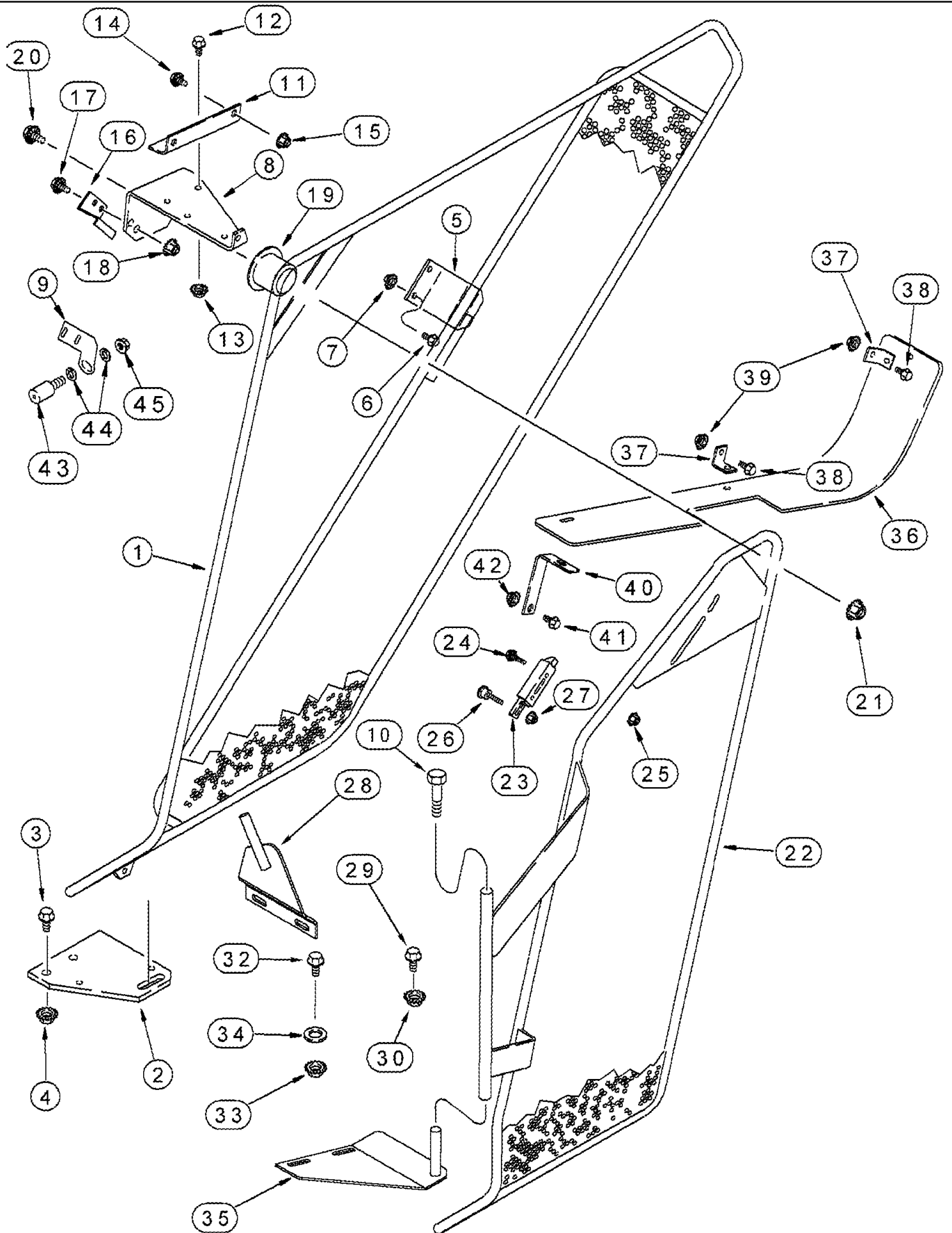
09C-07 CLEANING FAN - DRIVE SPEED CONTROL

Ref	Part Number	Qty	Description
1	87035448	4	SPACER, 1/2" Tube x 1/2",
2	181206C1	1	BLOCK,
2A	183916A1	2	SPACER, 1/2 x 3/16
3	477-73116	2	SCREW, Sltd Serr Truss Hd, 5/16"-18 x 1",
4	492-11031	4	WASHER, LOCK, 5/16",
5	495-11034	4	WASHER, 5/16", SAE,
6	181199C2	1	SUPPORT, , BSN HAJ303001
6	87647064	1	SUPPORT ASSY., , ASN HAJ303001
7	413-612	2	BOLT, Hex, 3/8"-16 x 3/4", G5, Full Thd,
8	231-5146	2	NUT, Flg, USR, 3/8"-16,
9	142848A1	1	GEAR,
10	425-1010	4	NUT, 5/8"-11, G5, , BSN HAJ303001
10	425-1010	2	NUT, 5/8"-11, G5, , ASN HAJ303001
10	86521608	2	NUT, Flg, 5/8"-11, G5, , ASN HAJ303001
11	38-11216	1	PIN, LOCK, 3/16" x 1", Slotted,
12	495-81177	2	WASHER, 21/32" x 1" x .030",
13	1302054C1	2	WASHER, , BSN HAJ303001
13	87652042	2	WASHER, , ASN HAJ303001
14	181205C1	1	SPACER, , BSN HAJ303001
14	87647066	1	SPACER, , ASN HAJ303001
15	55826C1	2	BUSHING,
16	55825C1	1	BUSHING,
18	111787A2	1	MOTOR, ELECTRIC,
19	113485A1	2	SPACER, 17 mm
20	413-432	2	BOLT, Hex, 1/4"-20 x 2", G5,
21	425-104	2	NUT, 1/4"-20, G5,
24	492-11025	2	WASHER, LOCK, 1/4",
25	186283C2	1	SUPPORT, , BSN HAJ303001
25	87647071	1	PLATE ASSY., Fan Drive Control, ASN HAJ303001
26	477-73820	1	SCREW, Sltd Serr Truss Hd, 3/8"-16 x 1 1/4",
26A	495-81143	1	WASHER, 13/32" x 1 1/2" x .120",
26B	231-5146	1	NUT, Flg, USR, 3/8"-16,
27	439-1624	1	PIN, HEADED, 3/8" x 1 1/2",
28	432-812	1	PIN, SPLIT (COTTER), 1/8" x 3/4",
30	495-11041	1	WASHER, 3/8", SAE,
31	495-81142	AR	WASHER, 13/32" x 1 1/2" x .060",
32	194850C2	2	SUPPORT, Fan Control, BSN HAJ303001
32	87647079	2	COVER ASSY, Fan Control, ASN HAJ303001
33	413-532	1	BOLT, Hex, 5/16"-18 x 2", G5,
34	425-105	3	NUT, 5/16"-18, G5,
35	492-11031	3	WASHER, LOCK, 5/16",
36	495-11034	10	WASHER, 5/16", SAE,
37	194852C3	1	SUPPORT, Fan Driver, BSN HAJ303001

09C-07 CLEANING FAN - DRIVE SPEED CONTROL

Ref	Part Number	Qty	Description
37	87647073	1	BRACKET, Fan Driver, ASN HAJ303001
38	412-520	2	BOLT, CARRIAGE, Short NK, 5/16"-18 x 1 1/4", G2,
39	413-512	2	BOLT, Hex, 5/16"-18 x 3/4", G5, Full Thd,
40	142853A2	2	SUPPORT,
41	231-5145	2	NUT, Flg, USR, 5/16"-18,
42	86990344	1	COVER, Fan Drive Bearing, BSN HAJ303001
42	87647075	1	COVER ASSY, Fan Drive Bearing, ASN HAJ303001
43	281-24812	2	SCREW, SELF TAPPING, Hex Wash Hd, 5/16" x 3/4",

09C-08 SHIELD, FAN INLET - DOOR - RIGHT-HAND

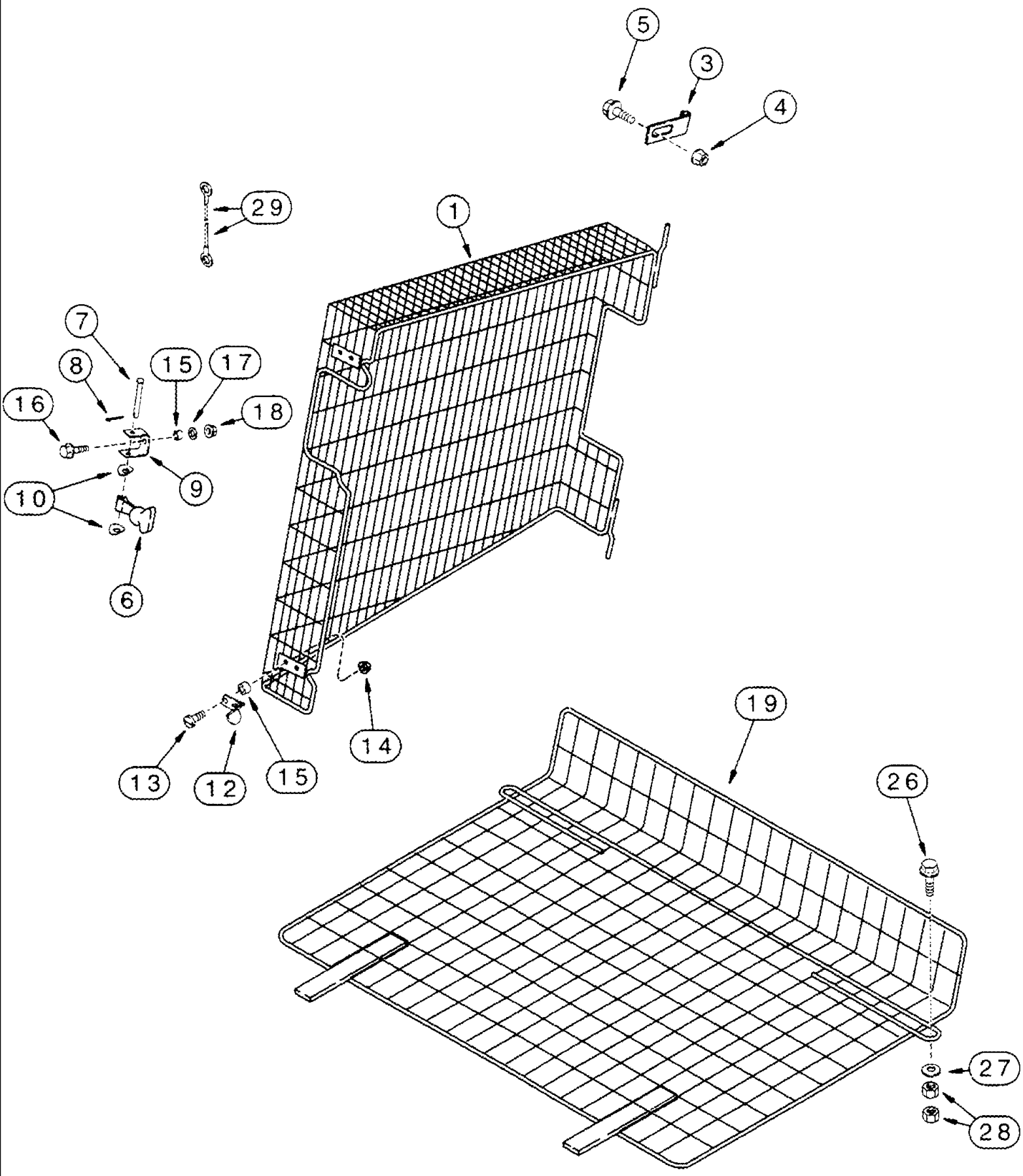


09C-08 SHIELD, FAN INLET - DOOR - RIGHT-HAND

Ref	Part Number	Qty	Description
1	142443A2	1	SHIELD,
2	142450A2	1	SUPPORT, Lower
3	409-7816	2	BOLT, Hex Flg, 1/2"-13 x 1", Serr,
4	231-5148	2	NUT, Flg, USR, 1/2"-13,
5	142451A2	1	SUPPORT, Side
6	409-7512	4	BOLT, Hex Flg, 5/16"-18 x 3/4", Serr,
7	231-5145	4	NUT, Flg, USR, 5/16"-18,
8	142452A2	1	SUPPORT, Upper
9	182240A2	1	BRACKET,
10	413-416	1	BOLT, Hex, 1/4"-20 x 1", G5,
11	142453A1	1	ANGLE,
12	409-7612	2	BOLT, Hex Flg, 3/8"-16 x 3/4", Serr,
13	231-5146	2	NUT, Flg, USR, 3/8"-16,
14	409-7512	2	BOLT, Hex Flg, 5/16"-18 x 3/4", Serr,
15	231-5145	2	NUT, Flg, USR, 5/16"-18,
16	142454A1	1	BRACKET,
17	409-748	2	BOLT, Hex Flg, 1/4"-20 x 1/2", Serr,
18	231-5144	2	NUT, Flg, USR, 1/4"-20,
19	142455A1	1	TUBE,
20	409-7812	1	BOLT, Hex Flg, 1/2"-13 x 3/4", Serr,
21	231-5145	1	NUT, Flg, USR, 5/16"-18,
22	368361A1	1	GUARD, Inc. Decals 181595A1, 184094A1, & 184094A1. Must Also Order 356467A1, REF 28 & 360482A1, REF 35 from this section, See Figure 09H-19, REF 2, 3
23	142588A1	1	LOCK,
24	413-424	2	BOLT, Hex, 1/4"-20 x 1 1/2", G5,
25	231-5144	2	NUT, Flg, USR, 1/4"-20,
26	96860C1	1	KNOB,
27	231-5144	2	NUT, Flg, USR, 1/4"-20,
28	356467A1	1	SUPPORT, Right Hand Upper, Door
29	409-7512	2	BOLT, Hex Flg, 5/16"-18 x 3/4", Serr,
30	231-5145	2	NUT, Flg, USR, 5/16"-18,
30A	495-81135	2	WASHER, 13/32" x 1" x .120", (Not Shown)
32	409-7616	2	BOLT, Hex Flg, 3/8"-16 x 1", Serr,
33	231-5146	2	NUT, Flg, USR, 3/8"-16,
34	495-21044	2	WASHER, 3/8",
35	360482A1	1	SUPPORT, Lower Right Hand
36	142477A2	1	SHEET,
37	142478A2	2	BRACKET,
38	409-7512	2	BOLT, Hex Flg, 5/16"-18 x 3/4", Serr,
39	231-5145	2	NUT, Flg, USR, 5/16"-18,
40	182838A2	1	PLATE,
41	256873	1	BOLT, Hex Flg, 5/16"-18 x 1/2", Serr,
42	231-5145	1	NUT, Flg, USR, 5/16"-18,

09C-08 SHIELD, FAN INLET - DOOR - RIGHT-HAND

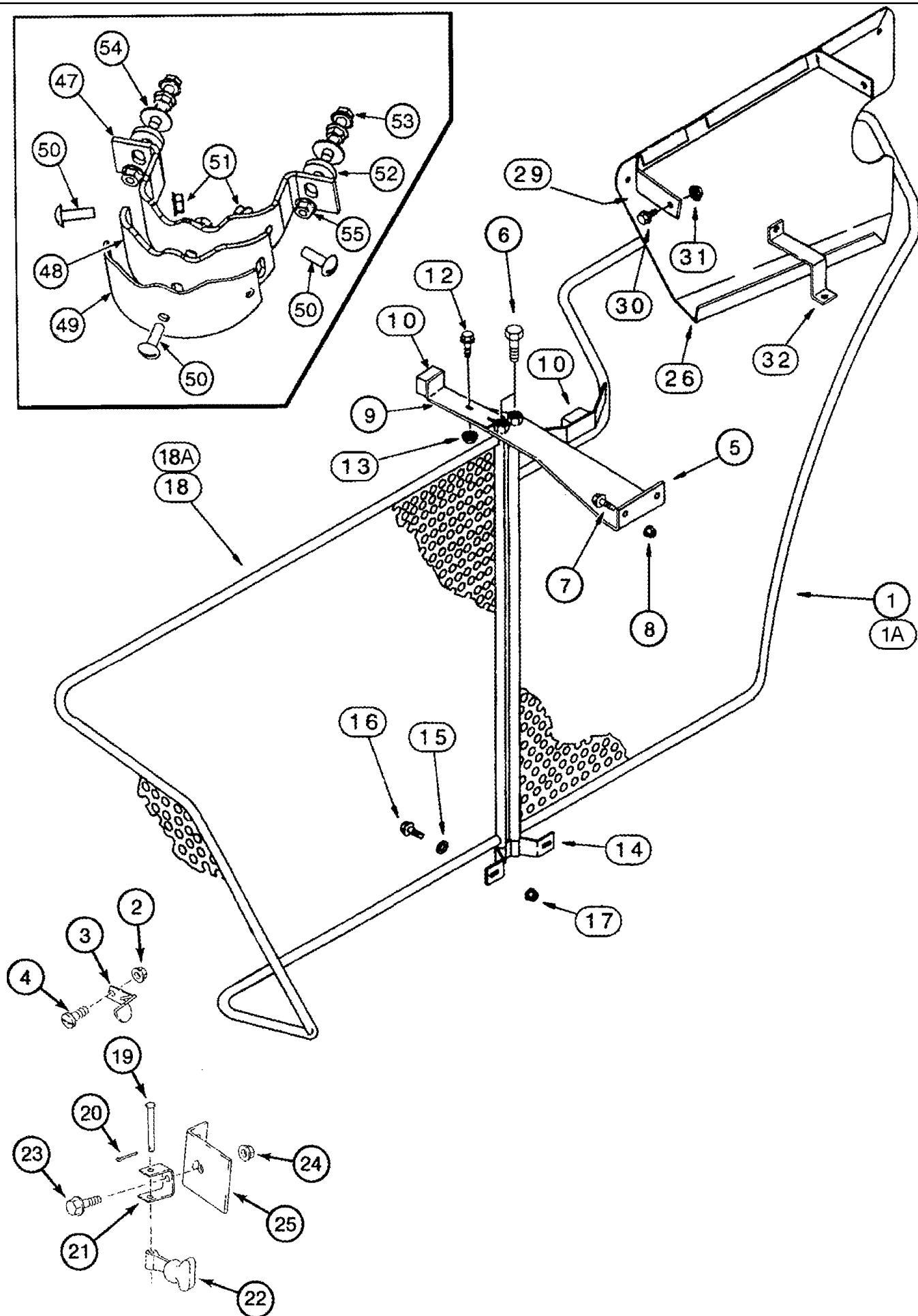
Ref	Part Number	Qty	Description
43	282145A1	1	BOLT, SPECIAL,
44	495-21050	1	WASHER, 7/16",
45	231-5148	1	NUT, Flg, USR, 1/2"-13,
46	495-11034	2	WASHER, 5/16", SAE,



09C-09 CLEANING FAN - SHIELDS

Ref	Part Number	Qty	Description
1	239930A2	1	SHIELD, Left Hand
3	1541763C3	2	HINGE,
4	231-5145	2	NUT, Flg, USR, 5/16"-18,
5	409-7512	2	BOLT, Hex Flg, 5/16"-18 x 3/4", Serr,
6	494307C1	2	LATCH,
7	439-1424	2	PIN, HEADED, 1/4" x 1 1/2", G2,
8	432-812	2	PIN, SPLIT (COTTER), 1/8" x 3/4",
9	188103C2	2	BRACKET,
10	1324377C1	2	WASHER, 5/16
12	L105124	2	HOOK, LATCH,
13	470-11012	4	SCREW, Slotted Pan Hd, #10-24 x 3/4",
13	470-11020	4	SCREW, Slotted Pan Hd, #10-24 x 1 1/4",
14	231-51409	4	NUT, Flg, USR, #10-24,
15	1277909C1	6	SPACER,
16	409-7524	2	BOLT, Hex Flg, 5/16"-18 x 1 1/2", Serr,
17	495-81121	2	WASHER, .344" x 1 1/2" x .060",
18	231-5145	2	NUT, Flg, USR, 5/16"-18,
19	1541759C2	1	GUARD, Lower
26	409-7624	2	BOLT, Hex Flg, 3/8"-16 x 1 1/2", Serr,
27	495-81135	2	WASHER, 13/32" x 1" x .120",
28	280136	4	NUT, 3/8"-16, G8,
29	132657A2	1	CABLE,

09C-10 SHIELDS, INLET AND SEPARATOR - LEFT HAND



09C-10 SHIELDS, INLET AND SEPARATOR - LEFT HAND

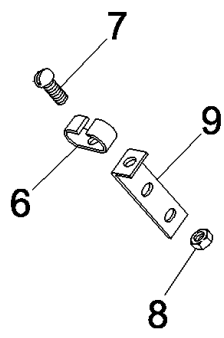
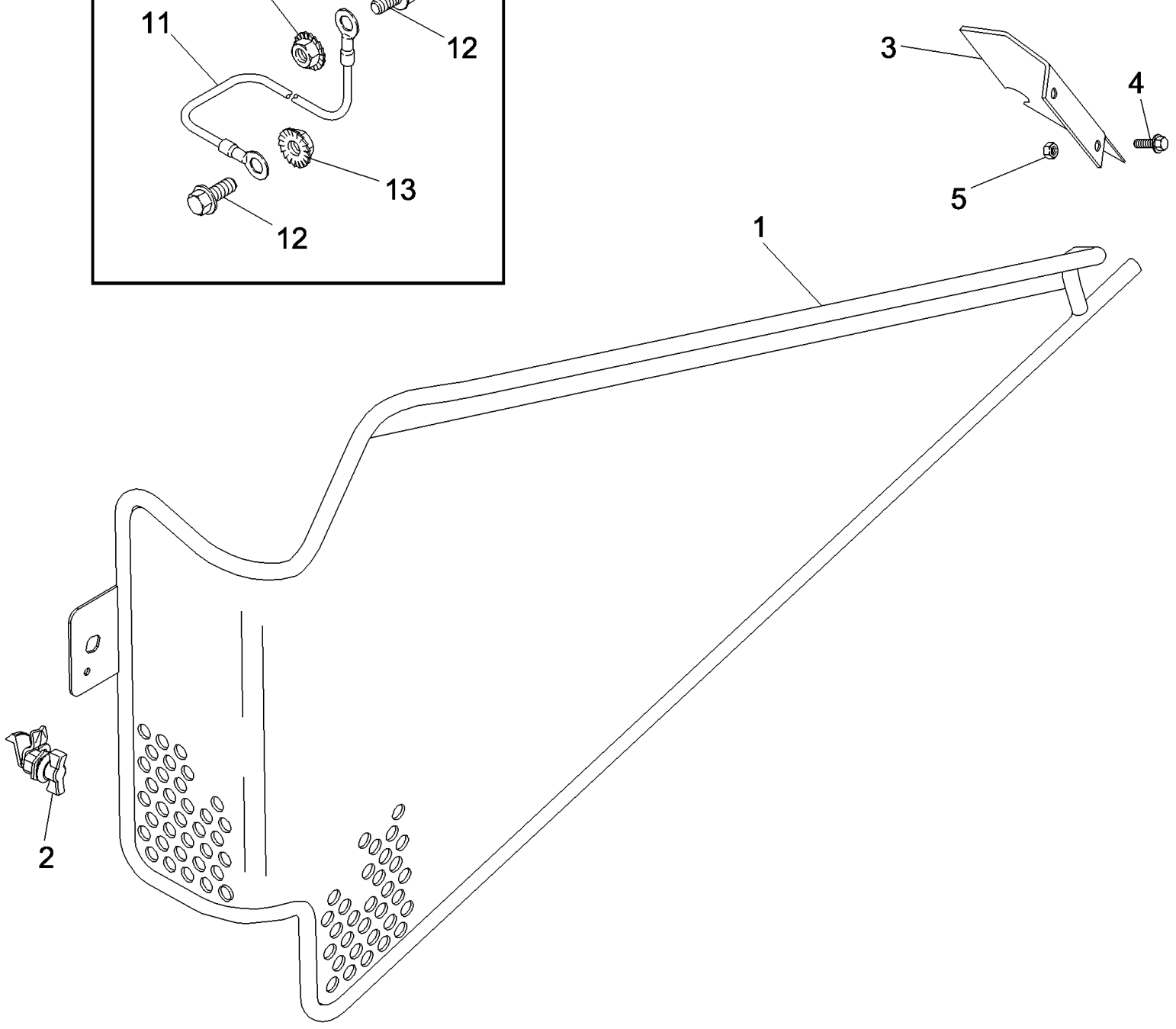
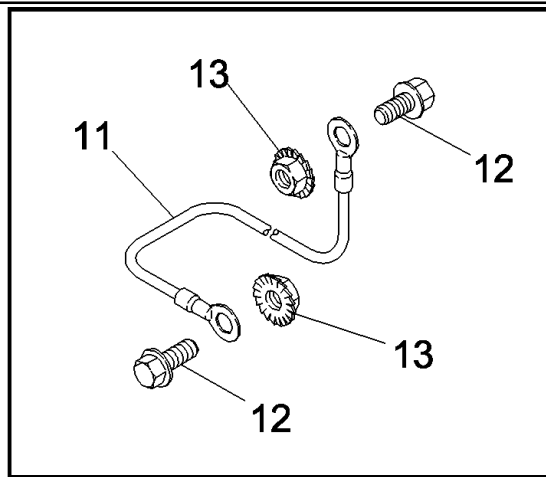
Ref	Part Number	Qty	Description
1	189353A2	1	GUARD, Left Hand Front, Inc. 1A and Decal 181595A1, See Figure 09H-19, REF 2
1A	240826A2	1	SHIELD, Left Hand
2	231-51409	2	NUT, Flg, USR, #10-24,
3	L105124	2	HOOK, LATCH,
4	470-11012	2	SCREW, Slotted Pan Hd, #10-24 x 3/4",
5	142424A1	1	SUPPORT, Upper
6	413-1024	2	BOLT, Hex, 5/8"-11 x 1 1/2", G5, Full Thd,
7	409-7616	2	BOLT, Hex Flg, 3/8"-16 x 1", Serr,
8	231-5146	2	NUT, Flg, USR, 3/8"-16,
9	142427A3	1	SUPPORT, Upper
10	187885C1	2	SEAL, 660 mm (26 in), Cut From 87281C1, Lower
10	187884C1	2	SEAL, 51 mm (2 in), Cut From 187885C1
12	409-7512	2	BOLT, Hex Flg, 5/16"-18 x 3/4", Serr,
13	231-5145	2	NUT, Flg, USR, 5/16"-18,
14	142430A2	1	SUPPORT,
15	495-11066	2	WASHER, 5/8", SAE,
16	409-7512	2	BOLT, Hex Flg, 5/16"-18 x 3/4", Serr,
17	231-5145	2	NUT, Flg, USR, 5/16"-18,
18	404920A1	1	SHIELD, Rear, Inc. 18A and Decal 181595A1, See Figure 09H-19, REF 2
18A	392028A2	1	SHIELD, Rear, Left Hand
19	439-1424	1	PIN, HEADED, 1/4" x 1 1/2", G2,
20	432-812	1	PIN, SPLIT (COTTER), 1/8" x 3/4",
21	188103C2	1	BRACKET,
22	494307C1	1	LATCH,
23	409-7516	3	BOLT, Hex Flg, 5/16"-18 x 1", Serr,
24	231-5145	3	NUT, Flg, USR, 5/16"-18,
25	229268A2	1	BRACKET,
26	243165A1	1	GUARD, Unloader Drive, Inc. Decal 181475A1, See Figure 09H-19, REF 11, Use with 243170A1, REF 32
29	185524A2	1	SUPPORT, Unloader Drive Shield
30	409-7612	2	BOLT, Hex Flg, 3/8"-16 x 3/4", Serr,
31	231-5146	2	NUT, Flg, USR, 3/8"-16,
32	243170A1	1	SUPPORT, , Use with 610784R1, REF 34
34	610784R1	1	SPLIT PIN/SAFETY PIN, (Not Shown), Use with 243170A1, REF 32
47	241070A2	1	SUPPORT,
48	246444A2	1	INDEX,
49	251517A1	1	SUPPORT,
50	477-73116	3	SCREW, Slt'd Serr Truss Hd, 5/16"-18 x 1",
51	231-5145	5	NUT, Flg, USR, 5/16"-18,
52	251987A1	2	WASHER,
53	409-7524	2	BOLT, Hex Flg, 5/16"-18 x 1 1/2", Serr,
54	495-81116	2	WASHER, .344" x 1" x .060",
55	231-5345	2	NUT, LOCK, Flg, 5/16"-18,

2388 CASE IH AXIAL-FLOW COMBINE (RU) ASN HAJ0300001 (10/06-)

09C-10 SHIELDS, INLET AND SEPARATOR - LEFT HAND

Ref	Part Number	Qty	Description
56	135370A1	2	STRIP, PROTECTION, 194 mm (7-5/8 in), Cut From 1330108CX, (Not Shown)

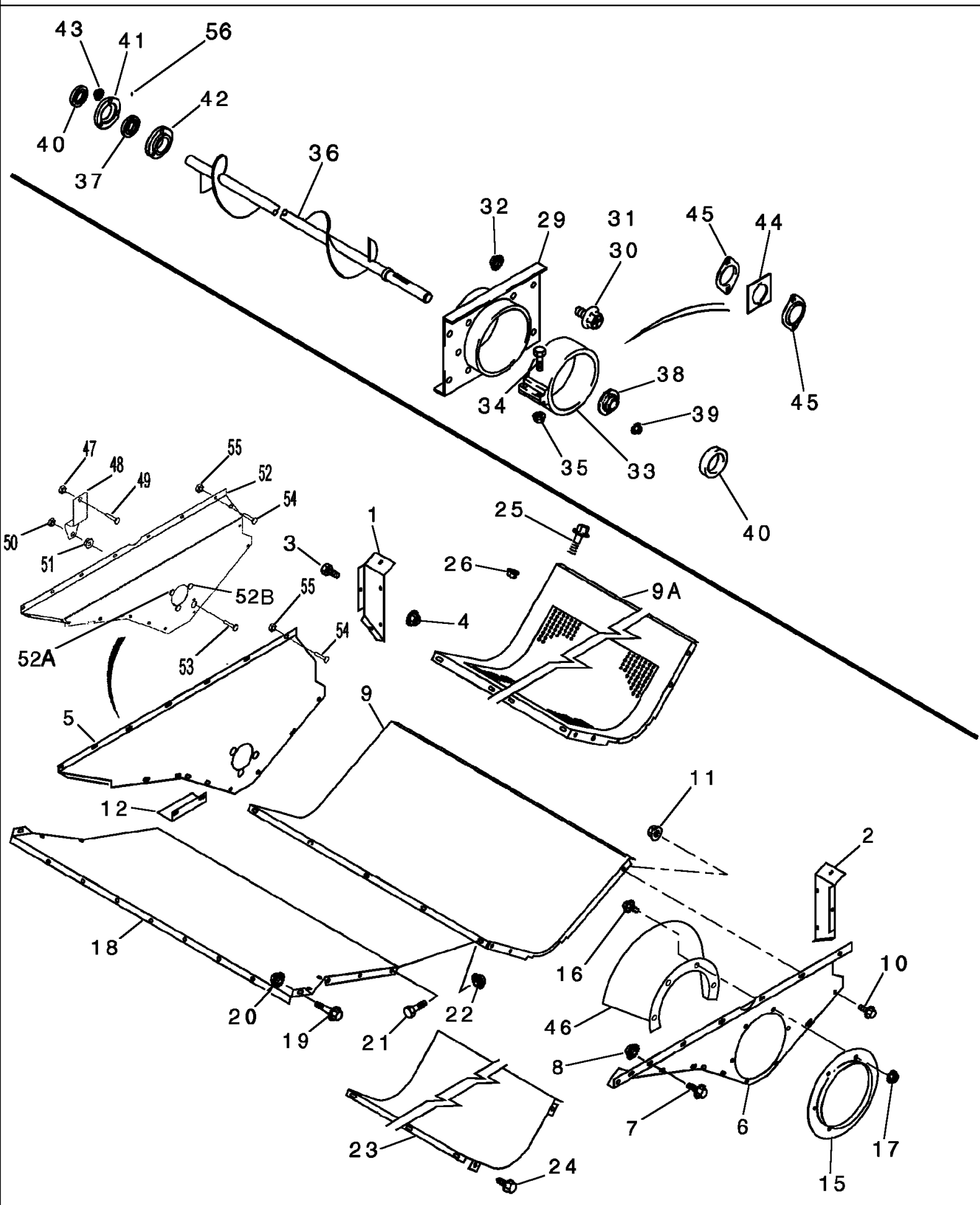
09C-11 SHIELDS, INLET AND SEPARATOR - RIGHT HAND REAR



09C-11 SHIELDS, INLET AND SEPARATOR - RIGHT HAND REAR

Ref	Part Number	Qty	Description
1	87528564	1	SHIELD,
2	182925A1	1	LOCK,
2	182926A1	1	LOCK, Australia Only
3	142484A2	1	SUPPORT,
4	409-7512	2	BOLT, Hex Flg, 5/16"-18 x 3/4", Serr,
5	231-5145	2	NUT, Flg, USR, 5/16"-18,
6	185224A1	1	CLIP,
7	840-148	1	SCREW, Cross Pan Hd, M4 x 8,
8	824-1404	1	NUT, M4, CI 5,
9	142485A3	1	BRACKET, Lower
10	231-5145	2	NUT, Flg, USR, 5/16"-18,
11	132657A2	1	CABLE,
12	409-748	1	BOLT, Hex Flg, 1/4"-20 x 1/2", Serr,
12	413-416	1	BOLT, Hex, 1/4"-20 x 1", G5,
13	231-5344	3	NUT, LOCK, Flg, 1/4"-20,

09D-01 GRAIN AUGER TROUGH



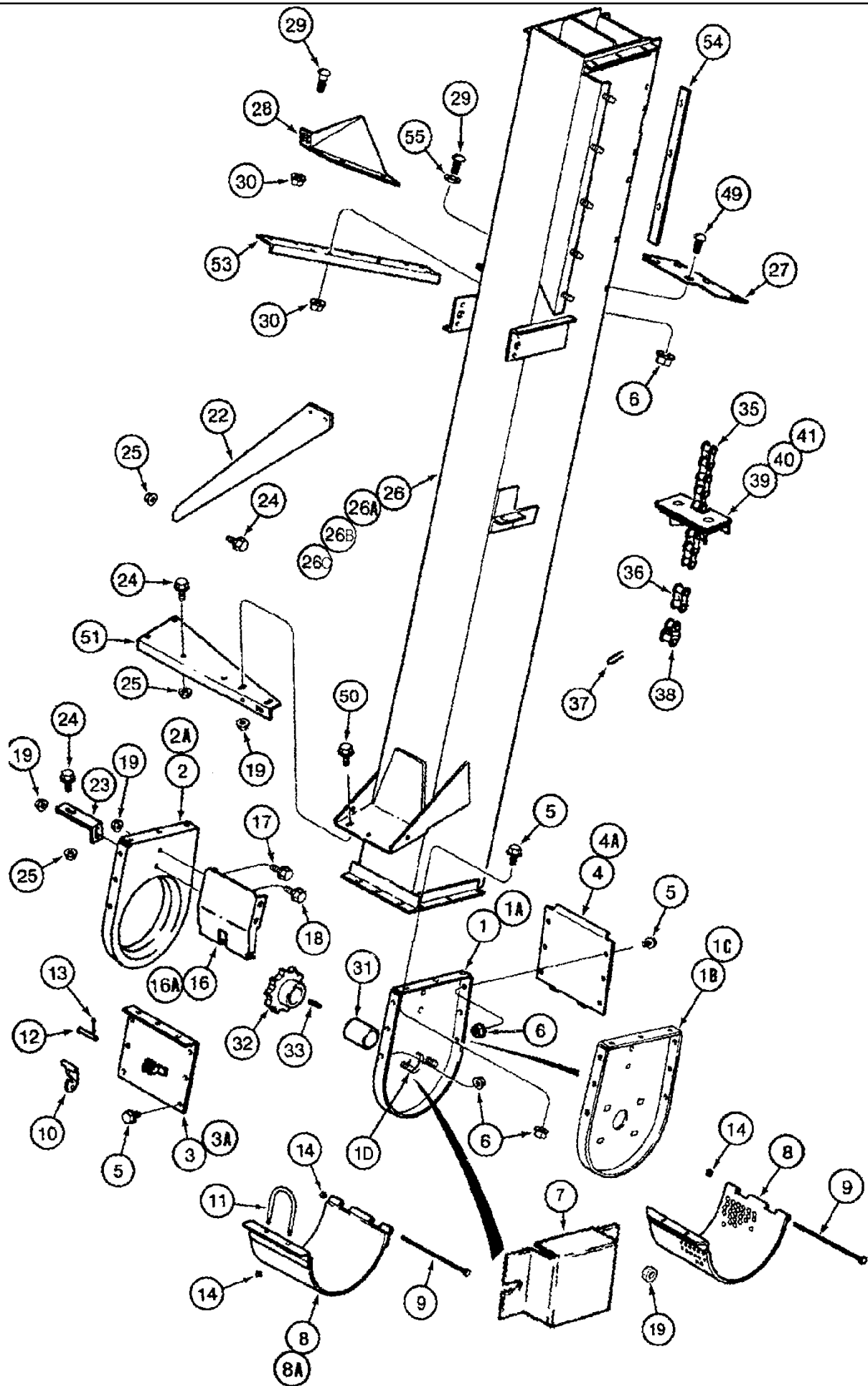
09D-01 GRAIN AUGER TROUGH

Ref	Part Number	Qty	Description
1	1541928C1	1	SUPPORT, Left Hand
2	1541929C1	1	SUPPORT, Right Hand
3	477-73108	10	SCREW, Sltd Serr Truss Hd, 5/16"-18 x 1/2",
4	231-5145	10	NUT, Flg, USR, 5/16"-18,
5	143955A2	1	SUPPORT, Left Hand
6	1541541C2	1	SUPPORT, Right Hand
7	409-7512	14	BOLT, Hex Flg, 5/16"-18 x 3/4", Serr,
8	231-5145	14	NUT, Flg, USR, 5/16"-18,
9	1989374C1	1	TROUGH, Non-perforated, Clean Grain
9A	1541800C1	1	TROUGH, Perforated, Clean Grain
10	256873	12	BOLT, Hex Flg, 5/16"-18 x 1/2", Serr,
11	231-5345	12	NUT, LOCK, Flg, 5/16"-18,
12	1317407C3	1	BRACKET, Bracket
15	1317401C1	1	RETAINER,
16	409-7512	6	BOLT, Hex Flg, 5/16"-18 x 3/4", Serr,
17	231-5145	6	NUT, Flg, USR, 5/16"-18,
18	191984C3	1	SUPPORT, Extension
19	409-7512	12	BOLT, Hex Flg, 5/16"-18 x 3/4", Serr,
20	231-5145	12	NUT, Flg, USR, 5/16"-18,
21	413-512	19	BOLT, Hex, 5/16"-18 x 3/4", G5, Full Thd,
22	231-5145	19	NUT, Flg, USR, 5/16"-18,
23	1541802C1	1	COVER,
24	281-14816	4	SCREW, SELF TAPPING, Hex Wash Hd, 5/16" x 1",
25	409-7512	14	BOLT, Hex Flg, 5/16"-18 x 3/4", Serr,
26	231-5145	14	NUT, Flg, USR, 5/16"-18,
29	1317398C1	1	SUPPORT,
30	1302143C1	9	BOLT, 1/2 x 1
31	1302142C1	1	SCREW, 1/2 x 1-1/4
32	231-5148	10	NUT, Flg, USR, 1/2"-13,
33	1317442C1	1	CLAMP,
34	424-516	2	BOLT, Hex, 5/16"-18 x 1", G2,
35	231-4115	2	NUT, LOCK, 5/16"-18, GB,
36	249279A1	1	AUGER, Clean Grain
37	473093R92	1	BEARING, BALL, Left Hand
38	473093R92	1	BEARING, BALL, Right Hand
39	231-5146	2	NUT, Flg, USR, 3/8"-16,
40	87431215	2	COLLAR, Locking, With Set Screw
41	86620418	1	FLANGE, Left Hand, Inc. Grease Port
42	86620026	1	FLANGE, Grooved, Left Hand
43	231-5146	3	NUT, Flg, USR, 3/8"-16,
44	176111A1	1	SPACER,
45	599382R1	2	FLANGE, Right Hand
46	197620A1	1	CONE,

09D-01 GRAIN AUGER TROUGH

Ref	Part Number	Qty	Description
47	86625057	1	NUT, LOCK, #10-24, GB,
48	431114A1	1	BRACKET,
49	440-11024	1	SCREW, Cross Pan Hd, #10-24 x 1 1/2",
50	231-4145	1	NUT, LOCK, 5/16"-18, GB,
51	231-5145	1	NUT, Flg, USR, 5/16"-18,
52	430035A1	1	SUPPORT, Inc. 52A, 52B
52A	51-13832	1	SCREW, Stud, 3/8 x 2
52B	51-13816	2	STUD, 3/8 x 1
53	409-7520	1	BOLT, Hex Flg, 5/16"-18 x 1 1/4", Serr,
54	409-7512	7	BOLT, Hex Flg, 5/16"-18 x 3/4", Serr,
55	231-5145	7	NUT, Flg, USR, 5/16"-18,
56	219-37	1	NIPPLE, LUBE, 45c, 1/4" NPT x .81" lg,
57	86984222	1	PAD, (Not Shown)

09D-02 GRAIN ELEVATOR - HOUSING AND BOOT



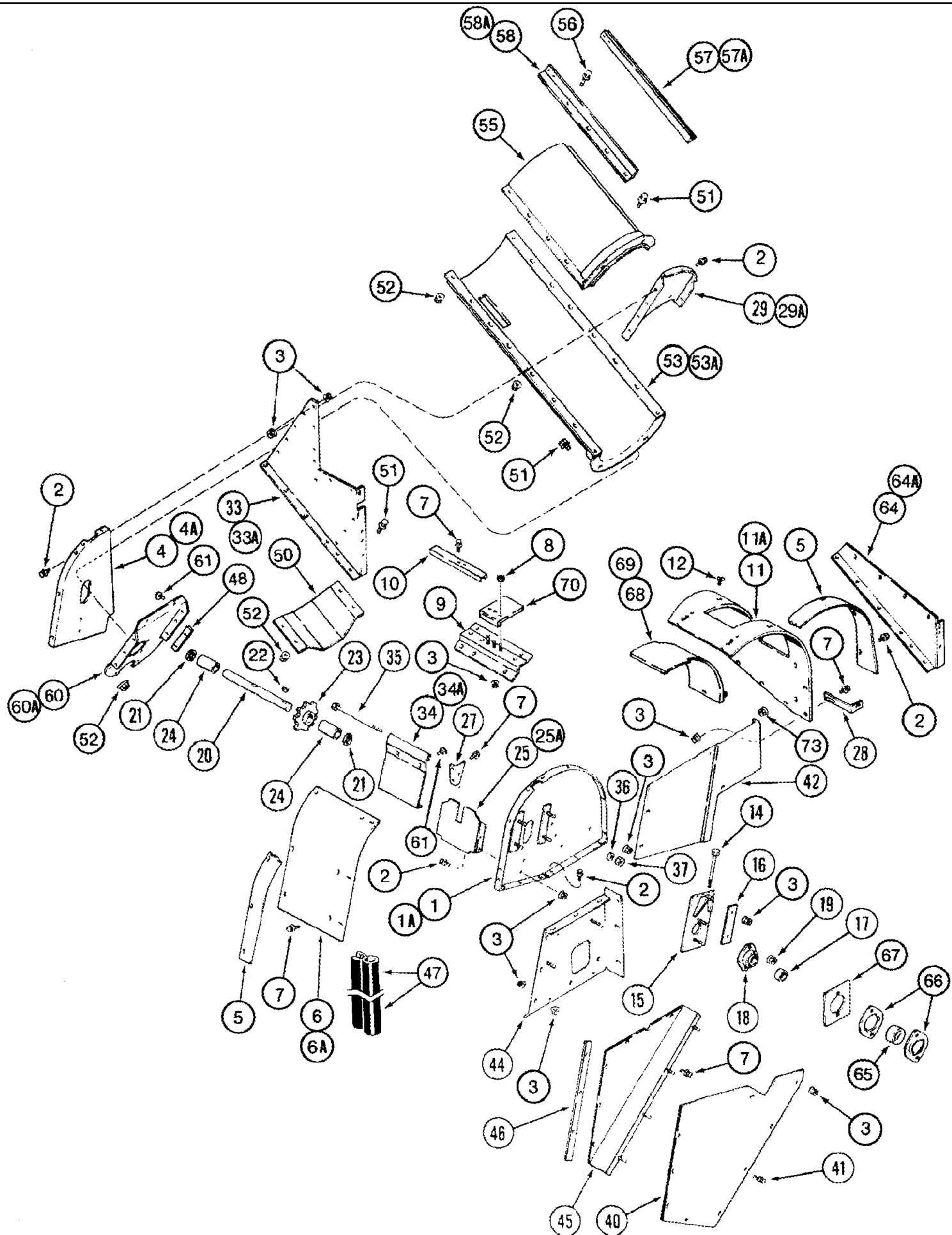
09D-02 GRAIN ELEVATOR - HOUSING AND BOOT

Ref	Part Number	Qty	Description
1	176175A2	1	PLATE, SIDE, Outer, If Used
1A	325508A1	1	PLATE, SIDE, Outer, Extended Wear, If Used
1B	223237A1	1	PLATE, SIDE, Outer, If Used, With Yield Monitor, With Advanced Farming System
1C	251473A2	1	PLATE, SIDE, Outer, Extended Wear, Inc. 1D, If Used, With Advanced Farming System, With Yield Monitor
1D	433-620	4	BOLT, CARRIAGE, Short NK, 3/8"-16 x 1 1/4", G5,
2	1318584C2	1	SUPPORT, Inner
2A	249260A1	1	SUPPORT, Inner, Extended Wear
3	1317437C1	1	COVER, Rear
3A	249262A1	1	COVER, Rear, Extended Wear
4	1317439C1	1	COVER, Front
4A	249264A1	1	COVER, Front, Extended Wear
5	409-7512	12	BOLT, Hex Flg, 5/16"-18 x 3/4", Serr,
6	231-5145	12	NUT, Flg, USR, 5/16"-18,
7	177208A1	1	COVER, Australia Only
8	1317430C1	1	DOOR, Non-perforated
8	1317842C1	1	DOOR, Perforated
8A	249270A1	1	DOOR, Non-perforated, Extended Wear
9	424-5152	1	BOLT, Hex, 5/16"-18 x 9 1/2", G2,
10	155909C1	1	LATCH,
11	87302569	1	U-BOLT, 5/16
12	439-1420	1	PIN, HEADED, 1/4" x 1 1/4",
13	432-812	1	PIN, SPLIT (COTTER), 1/8" x 3/4",
14	231-4115	3	NUT, LOCK, 5/16"-18, GB,
16	1318590C3	1	SUPPORT, Grain
16A	249266A1	1	DEFLECTOR, Grain, Extended Wear
17	409-7612	3	BOLT, Hex Flg, 3/8"-16 x 3/4", Serr,
18	409-7616	1	BOLT, Hex Flg, 3/8"-16 x 1", Serr,
19	231-5146	4	NUT, Flg, USR, 3/8"-16,
20	495-11041	4	WASHER, 3/8", SAE, (Not Shown)
22	1317362C5	1	SUPPORT, Lower
23	186729C2	1	SUPPORT,
24	409-7612	5	BOLT, Hex Flg, 3/8"-16 x 3/4", Serr,
25	231-5146	5	NUT, Flg, USR, 3/8"-16,
26	1317456C6	1	HOUSING,
26A	249268A4	1	HOUSING, Extended Wear
26B	367310A5	1	HOUSING, AFS , Extended Wear
26C	367308A5	1	HOUSING, AFS
27	303955A1	1	PLATE,
28	1317699C1	1	SUPPORT, Inner
29	477-73108	16	SCREW, Sltd Serr Truss Hd, 5/16"-18 x 1/2",
30	231-5145	16	NUT, Flg, USR, 5/16"-18,
31	176181A2	1	SPACER,

09D-02 GRAIN ELEVATOR - HOUSING AND BOOT

Ref	Part Number	Qty	Description
32	143960A1	1	SPROCKET, 9T, Clean Grain
33	Q1443	1	KEY, 5/16" Sq x 1 1/2", Par,
35	87313692	1	CONVEYOR ASSY., Inc. 35A, 40 (38), 41 (76)
35A	NSS	1	NOT SERVICED SEPARATELY, Chain Assy, Inc. 36 - 38, 38A, 38B
36	241-15113	1	LINK, CONNECTING, Connecting, No. C550, 1-5/8 P
37	23442R1	2	PIN, S Type, No. 550
38	241-18113	1	LINK, CHAIN, Offset, No. C550, 1-5/8P
38A	NSS	38	NOT SERVICED SEPARATELY, Link Attaching
38B	241-12113	113	LINK, CHAIN, No. C550
39	1317614C93	38	FLIGHT, RUBBER, ASSY, Inc. 36 (2), 38A (1), 40, 41
40	1318493C2	1	FLIGHT, RUBBER,
41	185053C1	2	RIVET,
50	409-7620	2	BOLT, Hex Flg, 3/8"-16 x 1 1/4", Serr,
51	192223C2	1	BRACKET,
53	1317475C1	1	BRACKET, Left Hand
54	1321155C1	1	SPACER,
55	495-81121	7	WASHER, .344" x 1 1/2" x .060",

09D-03 GRAIN ELEVATOR HEAD, INCLINED

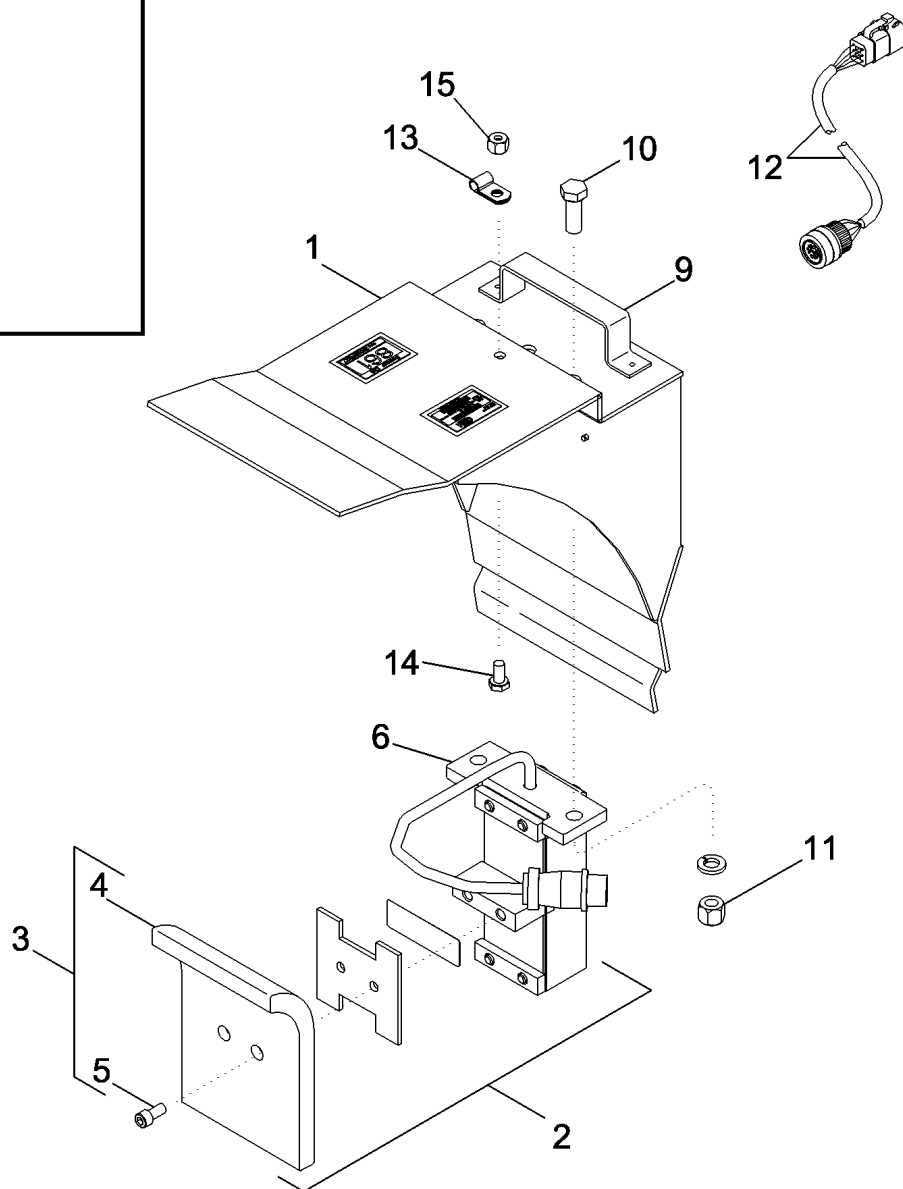
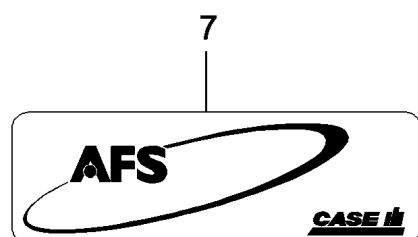
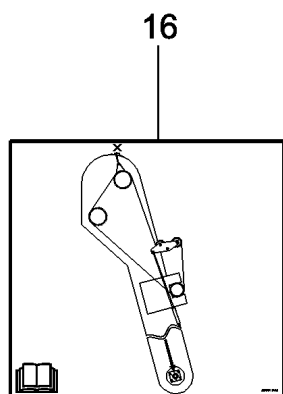
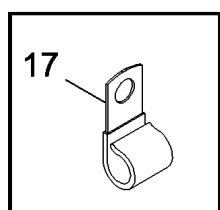
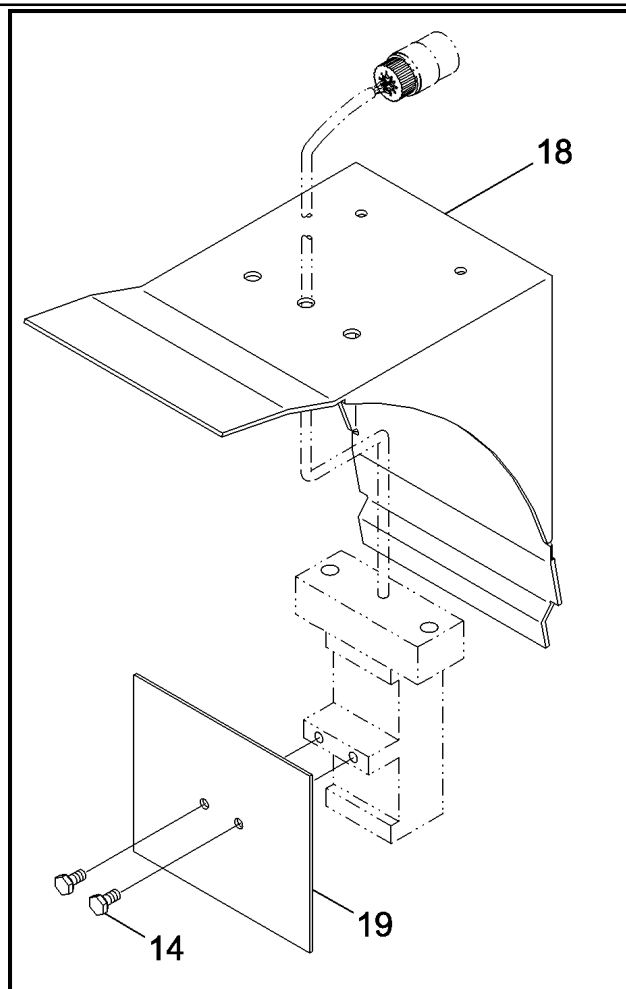


09D-03 GRAIN ELEVATOR HEAD, INCLINED

Ref	Part Number	Qty	Description
1	1319908C1	1	PLATE, SIDE, Right Hand, BSN HAJ303001
1	87675650	1	PLATE, SIDE, Right Hand, ASN HAJ303001
1A	251458A1	1	PLATE, SIDE, Right Hand, Extended Wear
2	256873	AR	BOLT, Hex Flg, 5/16"-18 x 1/2", Serr,
3	231-5145	AR	NUT, Flg, USR, 5/16"-18,
4	1319901C1	1	PLATE, SIDE, Left Hand, BSN HAJ303001
4	87675649	1	PLATE, SIDE, Left Hand, ASN HAJ303001
4A	282600A1	1	PLATE, SIDE, Left Hand, Extended Wear
5	87301284	1	PLATE, Head Sealing
6	1319940C1	1	COVER, Rear
6A	251459A1	1	COVER, Rear, Extended Wear
7	409-7512	AR	BOLT, Hex Flg, 5/16"-18 x 3/4", Serr,
8	231-4116	3	NUT, LOCK, 3/8"-16, GB,
9	198581A2	1	STIFFENER, Anchor Assy
10	1317474C2	1	CHANNEL,
11	198602A1	1	COVER, Front, Without Advanced Farming System, Without Yield Monitor
11	238646A1	1	COVER, Front, With Advanced Farming System, With Yield Monitor
11A	251464A1	1	COVER, Front, Extended Wear, With Yield Monitor, With Advanced Farming System
12	477-73112	8	BOLT, Slotted Tr Hd, 5/16"-18 x 3/4",
14	820430C1	2	BOLT, 1/2 x 5-1/2
15	1317251C3	2	SUPPORT,
16	1310040C1	4	BAR,
17	87431216	2	COLLAR, With Set Screw
18	1317250C91	2	BEARING, FLANGED, If Used, Optional With 65 - 67
19	231-5146	4	NUT, Flg, USR, 3/8"-16,
20	87515819	1	SHAFT,
21	495-81202	4	WASHER, 1 9/32" x 1 3/4" x .060",
22	126-125	2	KEY, WOODRUFF, #B, 5/16" x 1", HT,
23	1317192C1	1	SPROCKET, Drive, 9T
24	1317471C1	2	SPACER,
25	1318476C1	1	PLATE,
25A	251468A1	1	COVER, Extended Wear
27	1321553C1	1	BRACKET,
28	1321833C1	1	STRAP,
29	121370A1	1	PLATE, Left Hand Front, Inc. Decal 1319494C1, See Figure 09H-19, REF 7
29A	334204A1	1	PLATE, Left Hand Front, Extended Wear, Inc. Decal 144383A1, See Figure 09H-19, REF 7
33	1321550C2	1	SUPPORT, Rear
33A	298841A1	1	SHEET, Rear, Extended Wear
34	1319954C1	1	BRACKET,
34A	251470A1	1	BRACKET, Extended Wear
35	413-5144	1	BOLT, Hex, 5/16"-18 x 9", G5,
36	492-11031	1	WASHER, LOCK, 5/16",
37	425-105	1	NUT, 5/16"-18, G5,

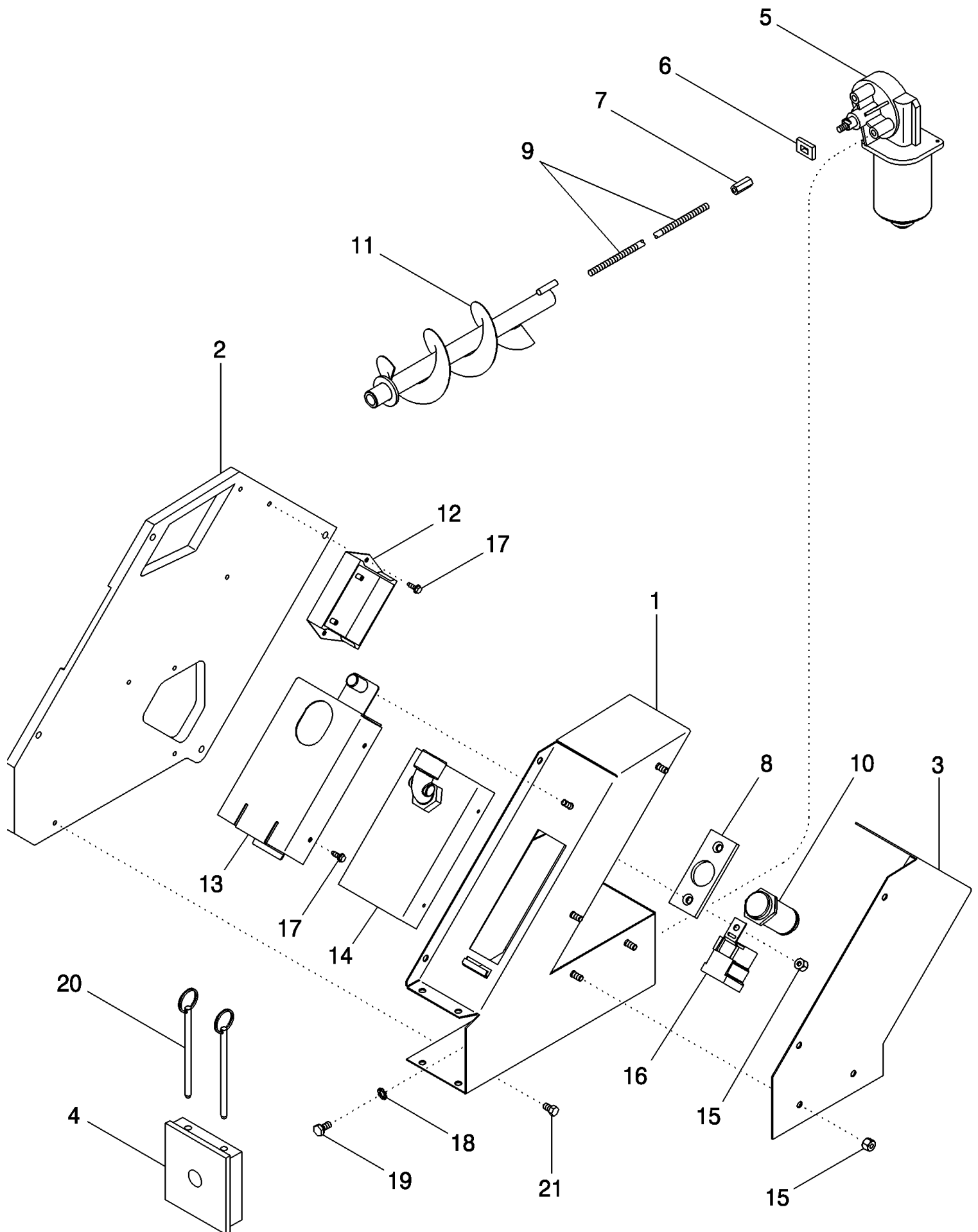
09D-03 GRAIN ELEVATOR HEAD, INCLINED

Ref	Part Number	Qty	Description
40	1321095C1	1	PANEL, Right Hand
41	409-7516	5	BOLT, Hex Flg, 5/16"-18 x 1", Serr,
42	1321097C2	1	COVER,
44	1321060C1	1	SUPPORT,
45	1321497C1	1	PANEL, Left Hand
46	1321155C1	1	SPACER,
47	1321263C1	2	SEAL,
48	1321554C1	1	PLATE,
50	1321556C1	1	COVER,
51	256873	AR	BOLT, Hex Flg, 5/16"-18 x 1/2", Serr,
52	231-5145	AR	NUT, Flg, USR, 5/16"-18,
53	199006A2	1	TUBE, Lower
53A	251472A1	1	GUARD, Lower, Extended Wear
55	1321560C3	1	TROUGH, Upper
56	409-7512	4	BOLT, Hex Flg, 5/16"-18 x 3/4", Serr,
56	409-7520	4	BOLT, Hex Flg, 5/16"-18 x 1 1/4", Serr,
57	1321568C3	1	ANGLE, Front
57A	297934A1	1	SUPPORT, Front, Extended Wear
58	1321569C3	1	ANGLE, Rear
58A	297936A1	1	SUPPORT, Rear, Extended Wear
60	1979134C1	1	SUPPORT,
60A	249274A1	1	SUPPORT, Extended Wear
61	477-73108	4	SCREW, Slt'd Serr Truss Hd, 5/16"-18 x 1/2", , BSN HAJ303001
61	477-73112	4	BOLT, Slotted Tr Hd, 5/16"-18 x 3/4", , ASN HAJ303001
64	1321552C2	1	SUPPORT, Front
64A	253270A1	1	GUARD, Front, Extended Wear
65	156010C92	2	BEARING, BALL, If Used, Optional With REF 18
66	87106572	4	FLANGE, Used With REF 65, 67
67	1979642C1	2	SPACER, Used With REF 65, 66
68	229609A2	1	COWL, Front, Corn And Grain
69	325494A1	1	HOOD, Extended Wear
70	197877A2	1	SUPPORT, Front
71	353-147	1	PLUG, Sleeve, (Not Shown)
72	410009A1	6	NUT, Self-Retaining



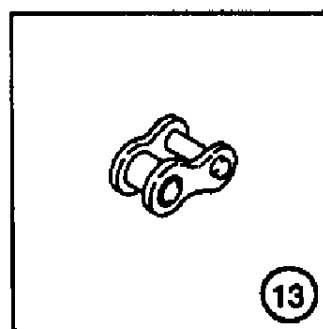
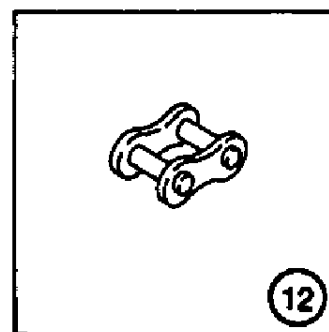
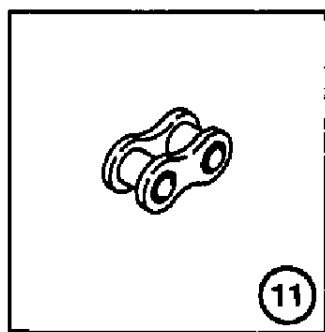
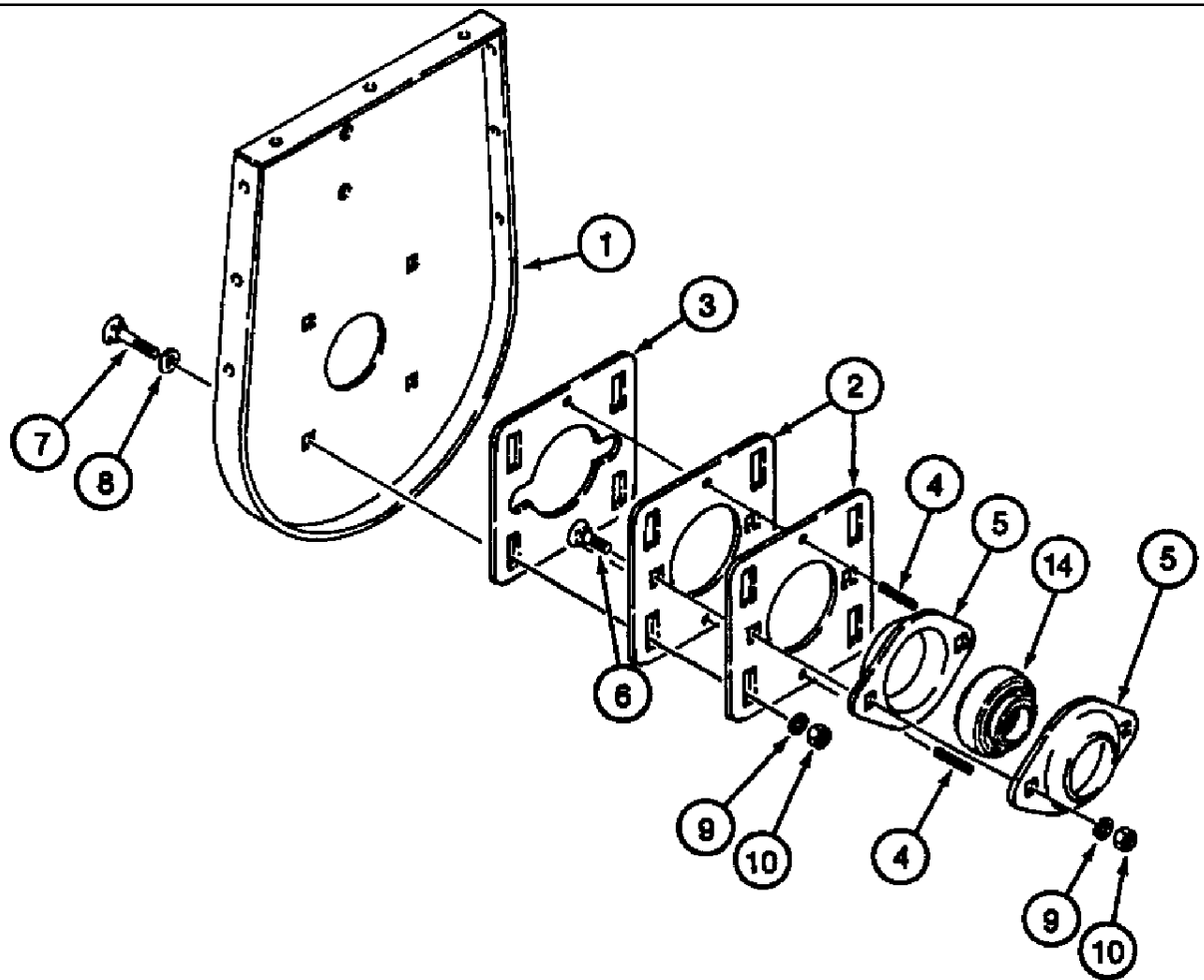
09D-04 GRAIN ELEVATOR HEAD, INCLINED - AFS FLOW SENSOR

Ref	Part Number	Qty	Description
1	87342539	1	SENSOR, Cover Assy, Flow Sensor, Inc. 2 - 11, 13 - 17
2	224597A3	1	SENSOR, Assy, Flow, Inc. 3 - 7
3	87301202	1	KIT, Impact Plate - Yield Monitor, Inc. 4, 5
4	NSS	1	NOT SERVICED SEPARATELY, Plate, Impact
5	61-3258	2	SCREW, Hex Soc Hd, 1/4"-20 x 1/2",
6	NSS	1	NOT SERVICED SEPARATELY, Flow Sensor
7	239258A1	1	DECAL, AFS Logo
9	NSS	1	NOT SERVICED SEPARATELY, Handle
10	326-616	2	BOLT, Hex, 3/8"-16 x 1", G8, Full Thd,
11	231-1446	2	NUT, LOCK, 3/8"-16, GB,
12	318575A1	1	HARNESS, WIRE,
13	473321C1	2	STRAP, CABLE, .098" x 8",
14	413-48	2	BOLT, Hex, 1/4"-20 x 1/2", G5, Full Thd,
15	231-1444	1	NUT, LOCK, 1/4"-20, GB,
16	239313A1	1	DECAL, Inclined Delivery GPS/AFS
17	516-23127	2	CLAMP, J, 9/16" Insul, 3/8" Bolt,
18	87324189	1	SENSOR, Low Flow
19	87324188	1	PLATE, Impact, Low Flow



09D-05 GRAIN ELEVATOR HEAD, INCLINED - AFS MOISTURE SENSOR

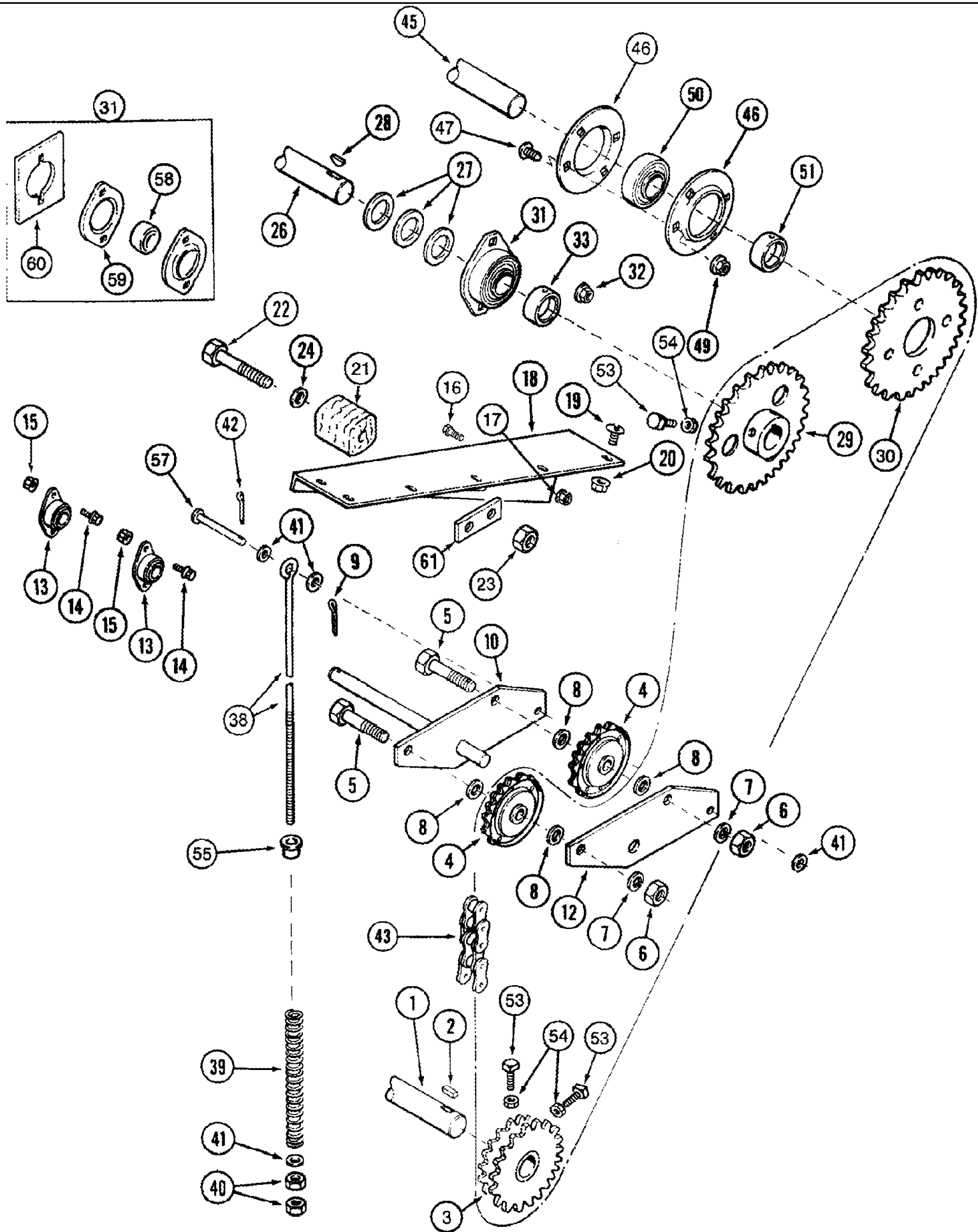
Ref	Part Number	Qty	Description
1	333033A1	1	HOUSING, Outer Moisture Sensor
2	363860A1	1	SUPPORT,
3	361020A1	1	COVER, Moisture Sensor
4	363154A1	1	BLOCK,
5	364837A1	1	MOTOR, ELECTRIC, By-Pass Moisture Sensor
6	364845A1	1	GUIDE, Auger Driving
7	368947A1	1	COUPLING, 1/4 x 7/8
8	368948A1	1	PLATE, Proximity Mounting
9	364843A1	1	ROD, MOUNTING, Guide
10	364838A1	1	SWITCH, Moisture Sensor Proximity
11	364194A1	1	AUGER,
12	364842A2	1	CONTROL UNIT, Automatic Cleanout
13	364195A1	1	COVER,
14	368950A1	1	SENSOR, Moisture Monitor
15	231-1404	6	NUT, LOCK, 1/4"-20, GB,
16	293256A2	1	RELAY, 40 amp
17	280-2448	10	SCREW, SELF TAPPING, Hex Wash Hd, #8 x 1/2",
18	493-41026	3	WASHER, LOCK, Ext Tooth, 1/4",
19	413-48	3	BOLT, Hex, 1/4"-20 x 1/2", G5, Full Thd,
20	373712A1	2	PIN, Quick Release
21	275-1478	5	SCREW, SELF TAPPING, Hex Hd, 1/4" x 1/2",



09D-06 GRAIN ELEVATOR, OUTER BOOT AND ELEVATOR SLIDE ADJUSTER

Ref	Part Number	Qty	Description
1	223237A1	1	PLATE, SIDE, Boot, Outer
	224768A1	1	PLATE, ADJUSTING, Kit - Elevator Slide Adjuster, Inc. 2 - 10
	252686A1	1	PLATE, ADJUSTING, ASSEMBLY - Elevator Adjuster, Extended Wear, Inc. 2 - 4
2	224769A1	1	SUPPORT, Slide Adjuster, Outer
3	224770A1	2	SUPPORT, Slide Adjuster, Inner
4	87040774	2	PIN, LOCK, 1/4" x 1/2", Slotted,
5	136978	2	FLANGE, Bearing Retaining
6	434-620	2	BOLT, CARRIAGE, Short NK, 3/8"-16 x 1 1/4", G5, Full Thd,
7	434-620	4	BOLT, CARRIAGE, Short NK, 3/8"-16 x 1 1/4", G5, Full Thd,
8	495-11041	4	WASHER, 3/8", SAE,
9	492-11038	6	WASHER, LOCK, 3/8",
10	425-106	6	NUT, 3/8"-16, G5,
11	241-1115	3	LINK, Roller, Single Pitch, No. 50, Use to Extend the Elevator Drive Chain, If Required
12	241-1315	3	LINK, CONNECTING, Single Pitch, No. 50, Use to Extend the Elevator Drive Chain, If Required
13	241-18113	2	LINK, CHAIN, Offset, Single Pitch, No. C550, If Required
14	473093R92	1	BEARING, BALL, Ball
15	87034815	1	LINK, CONNECTING, No. 50, If Required

09D-07 GRAIN ELEVATOR DRIVE



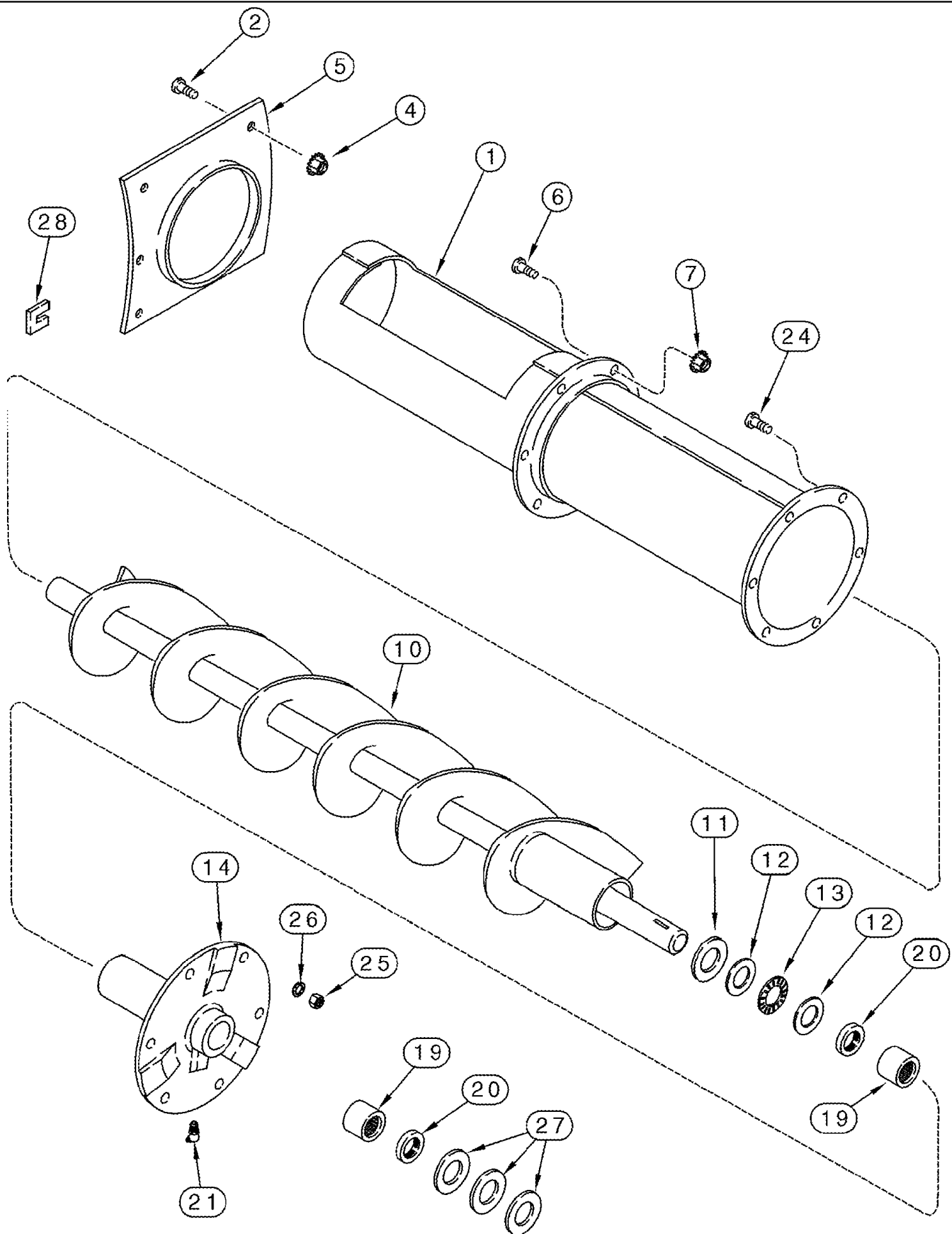
09D-07 GRAIN ELEVATOR DRIVE

Ref	Part Number	Qty	Description
1	1319247C1	1	SHAFT,
2	581306R1	2	KEY, 5/16" Sq x 1 1/4", Par,
3	296023A1	1	SPROCKET, 27T, 32T, Drive
3	348324A1	1	SPROCKET, 20T, 27T, Drive, Edible Bean
4	103244	2	SPROCKET, Idler, 17T
5	413-1044	2	BOLT, Hex, 5/8"-11 x 2 3/4", G5,
6	425-1010	2	NUT, 5/8"-11, G5,
7	492-11062	2	WASHER, LOCK, 5/8",
8	495-81175	4	WASHER, 21/32" x 1" x .120",
9	432-1224	1	PIN, SPLIT (COTTER), 3/16" x 1 1/2",
10	1345065C1	1	SUPPORT,
12	1345066C1	1	PLATE,
13	87364072	2	BEARING,
14	409-7512	4	BOLT, Hex Flg, 5/16"-18 x 3/4", Serr,
15	231-5145	4	NUT, Flg, USR, 5/16"-18,
16	413-516	1	BOLT, Hex, 5/16"-18 x 1", G5, Full Thd,
17	231-5145	1	NUT, Flg, USR, 5/16"-18,
18	1317476C4	1	SUPPORT,
19	477-73108	6	SCREW, Slt'd Serr Truss Hd, 5/16"-18 x 1/2",
20	231-5145	6	NUT, Flg, USR, 5/16"-18,
21	582018R1	2	BLOCK,
22	413-1056	2	BOLT, Hex, 5/8"-11 x 3 1/2", G5,
23	232-41110	2	NUT, LOCK, 5/8"-11, GC,
24	495-81030	2	WASHER, 21/32" x 2" x .179",
26	1317470C1	1	SHAFT,
27	495-81202	6	WASHER, 1 9/32" x 1 3/4" x .060",
28	126-125	1	KEY, WOODRUFF, #B, 5/16" x 1", HT,
29	1317412C1	1	SPROCKET, 32T, Driven
30	1321039C1	1	SPROCKET, 29T, Driven
31	156010C92	1	BEARING, BALL,
32	231-5146	4	NUT, Flg, USR, 3/8"-16,
33	87431216	1	COLLAR,
38	1345005C1	1	EYEBOLT,
39	523677R1	1	SPRING,
40	425-106	2	NUT, 3/8"-16, G5,
41	495-81143	4	WASHER, 13/32" x 1 1/2" x .120",
42	432-612	1	PIN, SPLIT (COTTER), 3/32" x 3/4",
43	1327534C92	1	CHAIN, Order 1791D (255), 241-1315 (3), 241-1115 (3), Inclined Delivery Auger Elevator
45	87347842	1	AUGER, Inclined Delivery Auger Elevator, See Figure 09D-09, REF 35
46	87430518	2	FLANGE,
47	434-612	4	BOLT, CARRIAGE, Short NK, 3/8"-16 x 3/4", G5, Full Thd,
49	231-5146	4	NUT, Flg, USR, 3/8"-16,
50	611583R91	1	BEARING, BALL,

09D-07 GRAIN ELEVATOR DRIVE

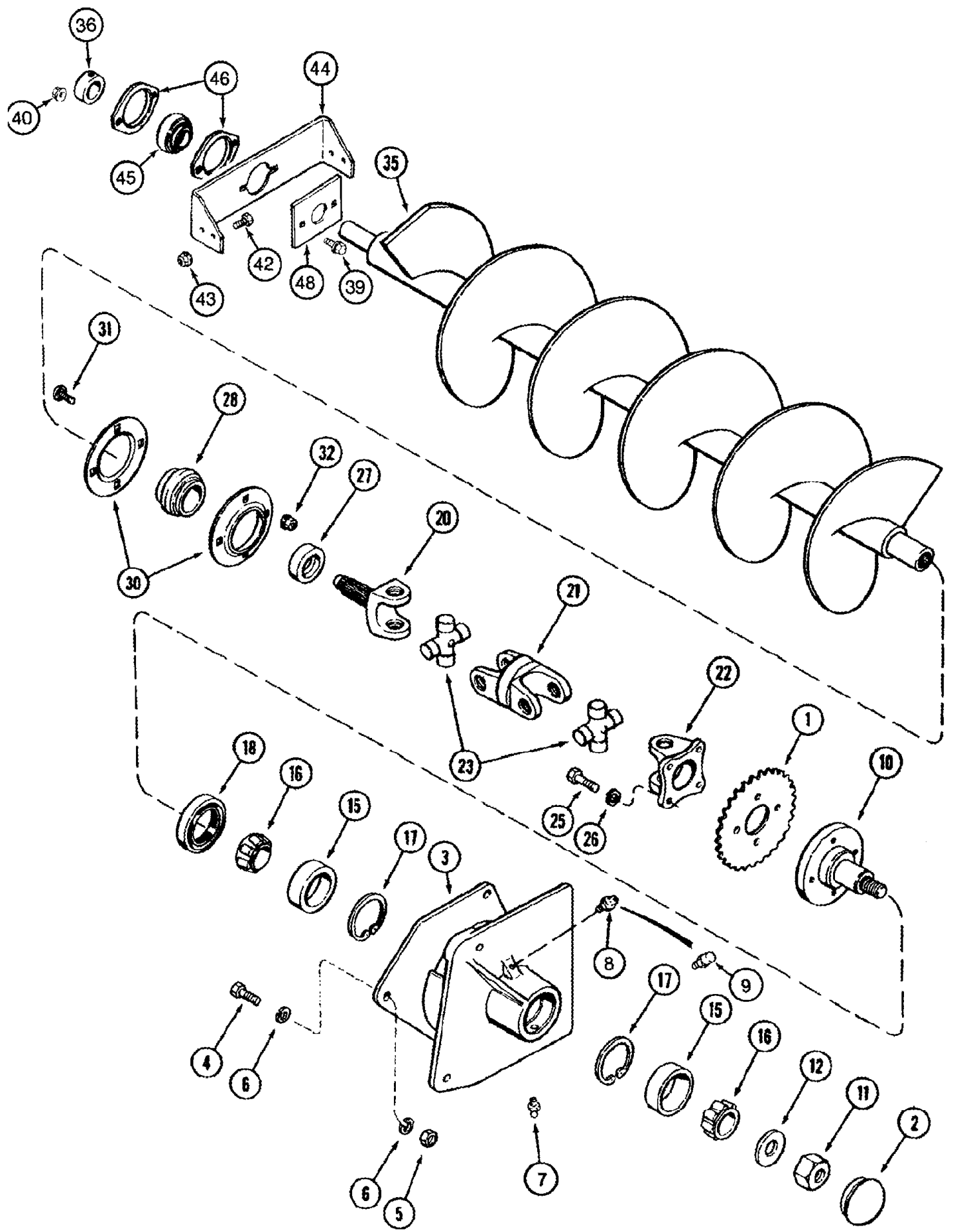
Ref	Part Number	Qty	Description
51	87431215	1	COLLAR,
53	485-13816	2	SET SCREW, Sq Hd, 3/8"-16 x 1",
54	425-146	2	NUT, Jam, 3/8"-16, G5,
55	S113843	1	BUSHING,
57	427-6240	1	PIN, CLEVIS, 3/8" x 2.406",
58	156010C92	1	BEARING, BALL,
59	87106572	2	FLANGE,
60	1979642C1	1	SPACER,
61	87422237	1	PLATE, Strap, Elevator Idler

09D-08 AUGER ASSEMBLY - TAILINGS DELIVERY



09D-08 AUGER ASSEMBLY - TAILINGS DELIVERY

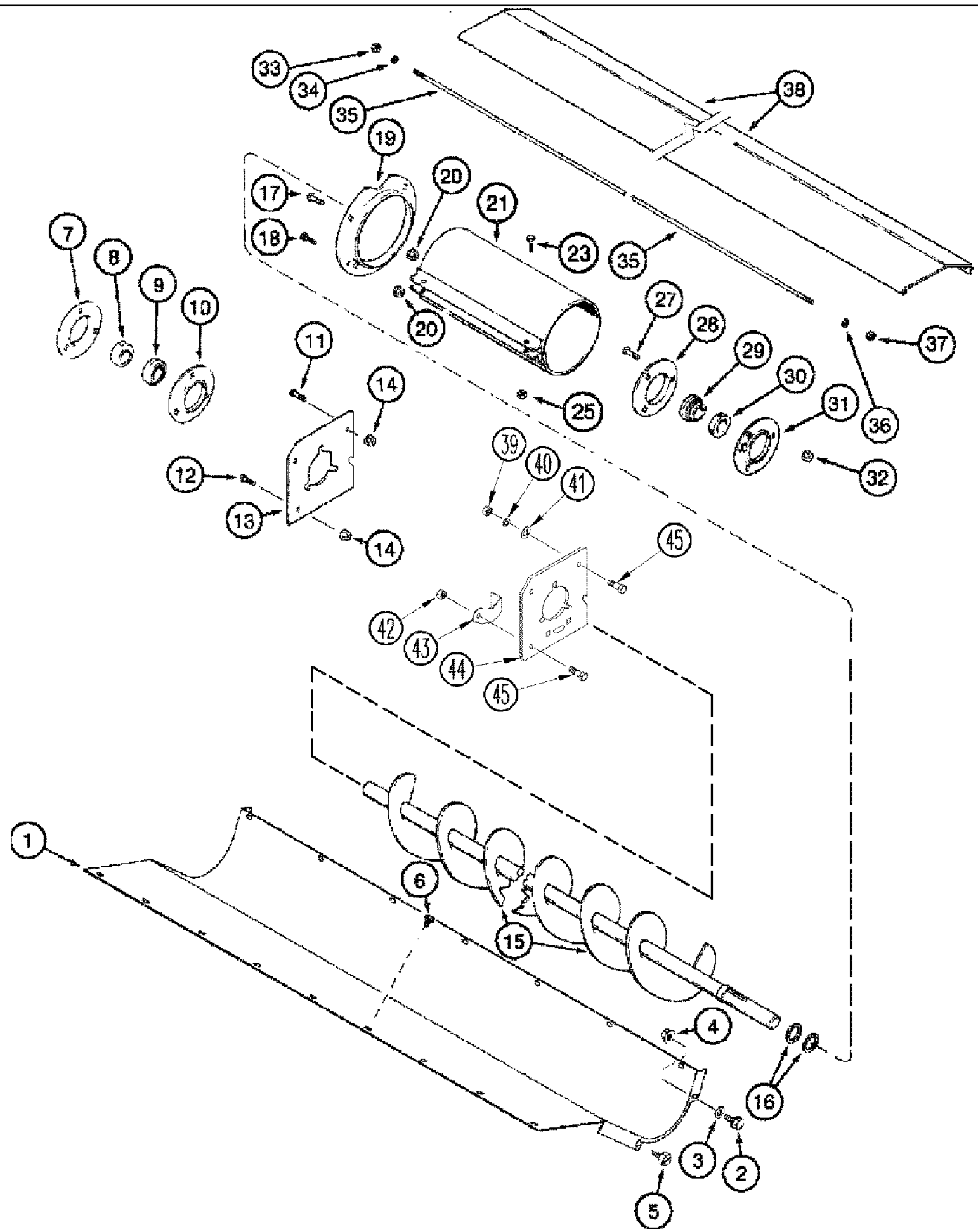
Ref	Part Number	Qty	Description
1	191854C1	1	TUBE,
2	477-73112	5	BOLT, Slotted Tr Hd, 5/16"-18 x 3/4",
4	231-5145	5	NUT, Flg, USR, 5/16"-18,
5	186700C1	1	COVER,
6	477-73112	12	BOLT, Slotted Tr Hd, 5/16"-18 x 3/4",
7	231-5145	12	NUT, Flg, USR, 5/16"-18,
10	192563C1	1	AUGER,
11	495-11106	1	WASHER, 1", SAE,
12	T38017	2	WASHER,
13	G13609	1	BEARING, THRUST,
14	1324840C1	1	HUB,
19	574940R91	2	BEARING, NEEDLE,
20	564592R91	2	SEAL,
21	219-90	1	NIPPLE, LUBE, 45c, 1/4" NPT x .80" lg, Drive,
24	413-516	5	BOLT, Hex, 5/16"-18 x 1", G5, Full Thd,
25	425-105	5	NUT, 5/16"-18, G5,
26	492-11031	5	WASHER, LOCK, 5/16",
27	495-81069	7	WASHER, 1 1/32" x 1 1/2" x .060",
28	151670C1	4	PLATE, LOCKING, 0.036 in



09D-09 INCLINED DELIVERY - AUGER

Ref	Part Number	Qty	Description
1	1321039C1	1	SPROCKET, 29T, Driven
2	453771R1	1	PLUG,
3	1321020C1	1	HOUSING,
4	413-816	2	BOLT, Hex, 1/2"-13 x 1", G5, Full Thd,
5	425-108	4	NUT, 1/2"-13, G5,
6	80679	4	WASHER, LOCK, 1/2",
7	219-87	1	NIPPLE, LUBE, 1/4"-28 x .56" lg, Self-Tap,
8	219-434	1	BREATHER, 1/8"-27 NPT, Short, w/washer,
9	219-430	1	NIPPLE, LUBE, 1/8"-27 NPT x .50" lg, Press Relief,
10	1321021C1	1	SHAFT,
11	185413C1	1	NUT, 7/8
12	238633R1	1	WASHER, 29/32 x 2-3/64 x 1-1/64
15	618024R1	2	BEARING, CUP, 2-1/2 OD
16	618023R91	2	BEARING, CONE, 1-3/8 inch ID
17	100-21256	2	RING, SNAP, 2.562", Int, #256,
18	380200R92	1	SEAL,
	1321055C91	1	UNIVERSAL JOINT, Inc. 20 - 23
20	87302539	1	YOKE, Shaft
21	1321057C1	1	CLEVIS, Center
22	1321058C1	1	CLEVIS, Flange
23	1321059C91	1	SPIDER, U-JOINT, Journal and Bearing
25	426-724	4	BOLT, Hex, 7/16"-14 x 1 1/2", G8,
26	492-11044	4	WASHER, LOCK, 7/16",
27	87431215	1	COLLAR,
28	611583R91	1	BEARING, BALL,
30	87430518	2	FLANGE,
31	434-612	4	BOLT, CARRIAGE, Short NK, 3/8"-16 x 3/4", G5, Full Thd,
32	231-5146	4	NUT, Flg, USR, 3/8"-16,
35	87347842	1	AUGER, Chrome
36	87431214	1	COLLAR,
39	409-7512	3	BOLT, Hex Flg, 5/16"-18 x 3/4", Serr,
40	231-5145	6	NUT, Flg, USR, 5/16"-18,
42	409-7512	4	BOLT, Hex Flg, 5/16"-18 x 3/4", Serr,
43	231-5145	4	NUT, Flg, USR, 5/16"-18,
44	297992A1	1	SUPPORT,
45	204807C91	1	BEARING, BALL,
46	50591	2	FLANGE,
48	297931A1	1	PLATE, Extended Wear

09D-10 TAILINGS AUGER TROUGH

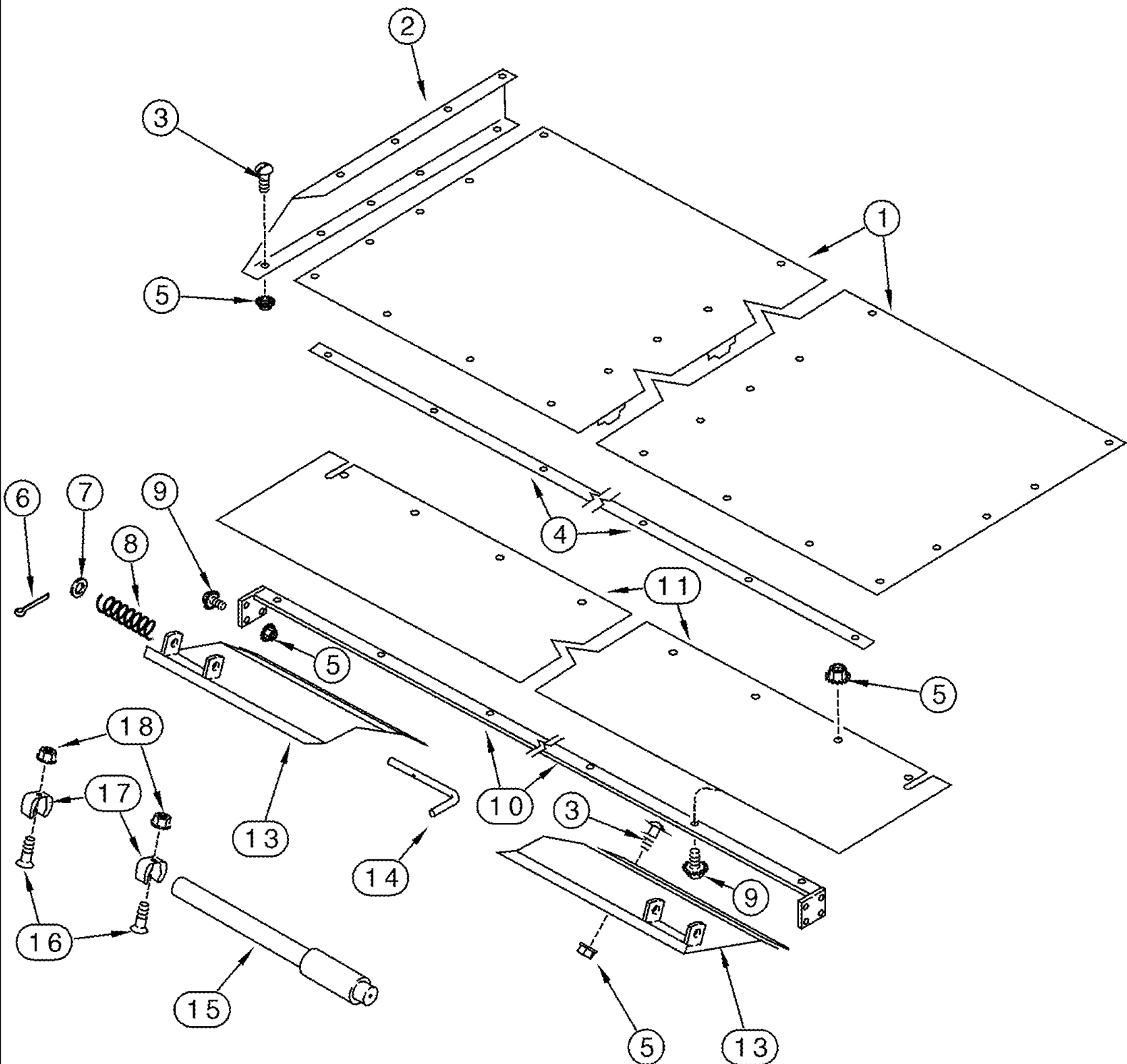


09D-10 TAILINGS AUGER TROUGH

Ref	Part Number	Qty	Description
1	1346938C2	1	TROUGH,
2	409-7512	2	BOLT, Hex Flg, 5/16"-18 x 3/4", Serr,
3	495-11034	2	WASHER, 5/16", SAE,
4	231-5345	AR	NUT, LOCK, Flg, 5/16"-18,
4	231-4145	8	NUT, LOCK, 5/16"-18, GB,
5	138558A1	8	SCREW, 5/16 x 13/16
6	413-516	8	BOLT, Hex, 5/16"-18 x 1", G5, Full Thd,
7	87430514	1	FLANGE, With Fitting
8	38767	1	COLLAR, With Set Screw
9	156011C92	1	BEARING, BALL,
10	86636169	1	FLANGE,
11	477-73108	AR	SCREW, Sltd Serr Truss Hd, 5/16"-18 x 1/2",
12	138558A1	AR	SCREW, 5/16 x 13/16
13	183158C1	1	COVER,
14	231-5145	AR	NUT, Flg, USR, 5/16"-18,
15	144028A2	1	AUGER,
16	495-81202	AR	WASHER, 1 9/32" x 1 3/4" x .060",
17	477-73108	AR	SCREW, Sltd Serr Truss Hd, 5/16"-18 x 1/2",
18	138558A1	AR	SCREW, 5/16 x 13/16
19	199665A2	1	FLANGE,
20	231-5145	AR	NUT, Flg, USR, 5/16"-18,
21	199700A3	1	TUBE, Non-perforated
21	240811A2	1	TUBE, Perforated, (Not Shown)
23	413-516	3	BOLT, Hex, 5/16"-18 x 1", G5, Full Thd,
23	409-7512	1	BOLT, Hex Flg, 5/16"-18 x 3/4", Serr,
25	231-4115	3	NUT, LOCK, 5/16"-18, GB,
25	425-285	1	NUT, Flg, 5/16"-18, G5,
27	477-73832	1	SCREW, Sltd Serr Truss Hd, 3/8"-16 x 2",
27	477-73820	3	SCREW, Sltd Serr Truss Hd, 3/8"-16 x 1 1/4",
27	477-73816	2	SCREW, Sltd Serr Truss Hd, 3/8" x 1",
28	86636169	2	FLANGE, Grooved, Right Hand
29	156011C92	2	BEARING, BALL,
30	38767	2	COLLAR, With Set Screw
31	87430514	2	FLANGE, With Fitting
32	231-5146	9	NUT, Flg, USR, 3/8"-16,
33	231-5345	1	NUT, LOCK, Flg, 5/16"-18,
34	492-11031	1	WASHER, LOCK, 5/16",
35	185197C1	1	ROD,
36	495-11034	1	WASHER, 5/16", SAE,
37	425-105	1	NUT, 5/16"-18, G5,
38	185196C1	1	DOOR,
39	129-409	1	NUT, WING, 1/4"-20,
40	492-11025	1	WASHER, LOCK, 1/4",

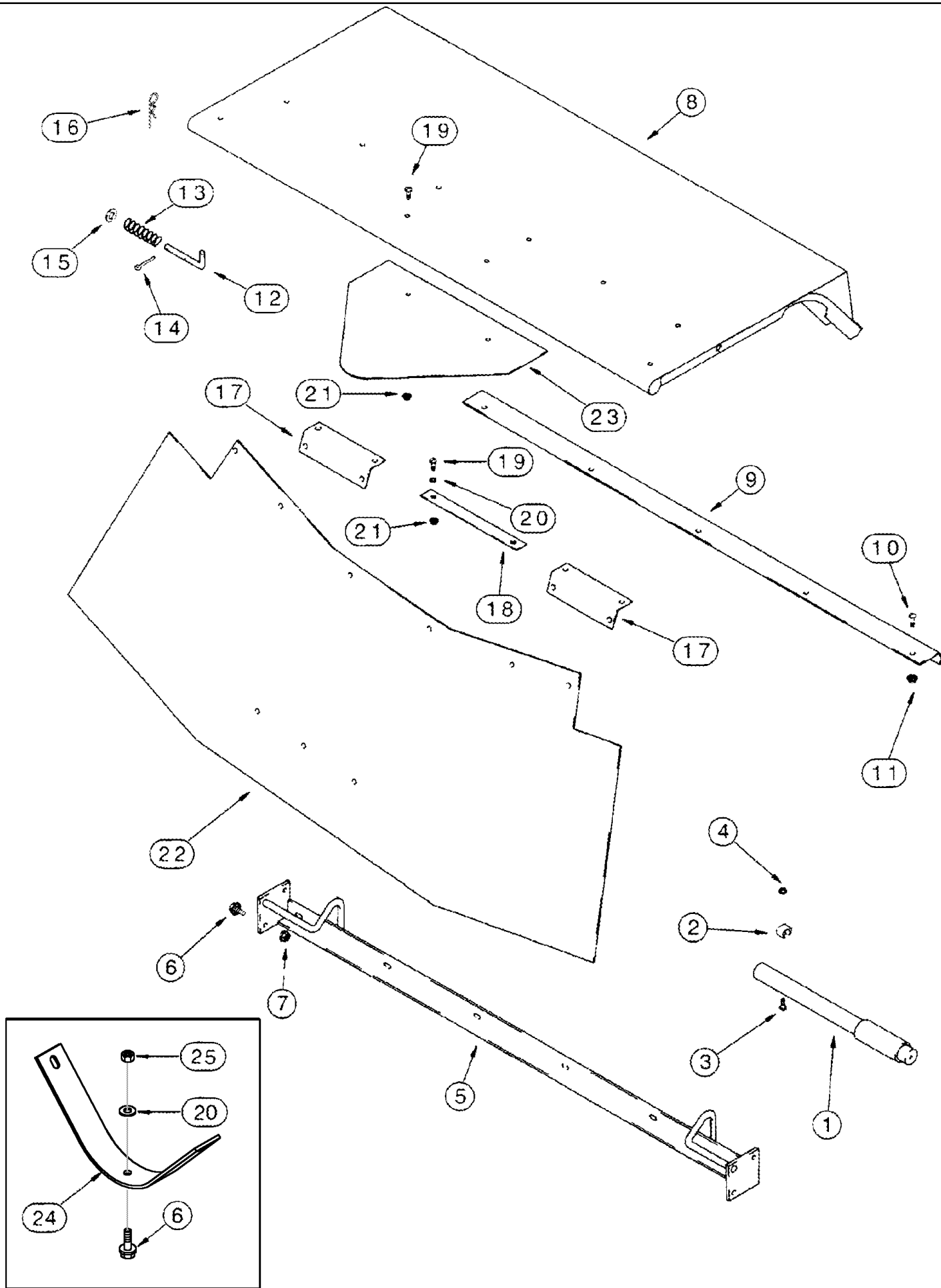
09D-10 TAILINGS AUGER TROUGH

Ref	Part Number	Qty	Description
41	495-11028	1	WASHER, 1/4", SAE,
42	231-5344	1	NUT, LOCK, Flg, 1/4"-20,
43	429985A2	1	COVER, Plate, Grain Cleanout
44	430002A1	1	PLATE, Cover
45	138558A1	2	SCREW,
46	446246A1	2	STRAP, (Not Shown)



09D-11 TAILINGS AUGER TROUGH PANEL AND GATE - MODELS WITH STRAW SPREADER

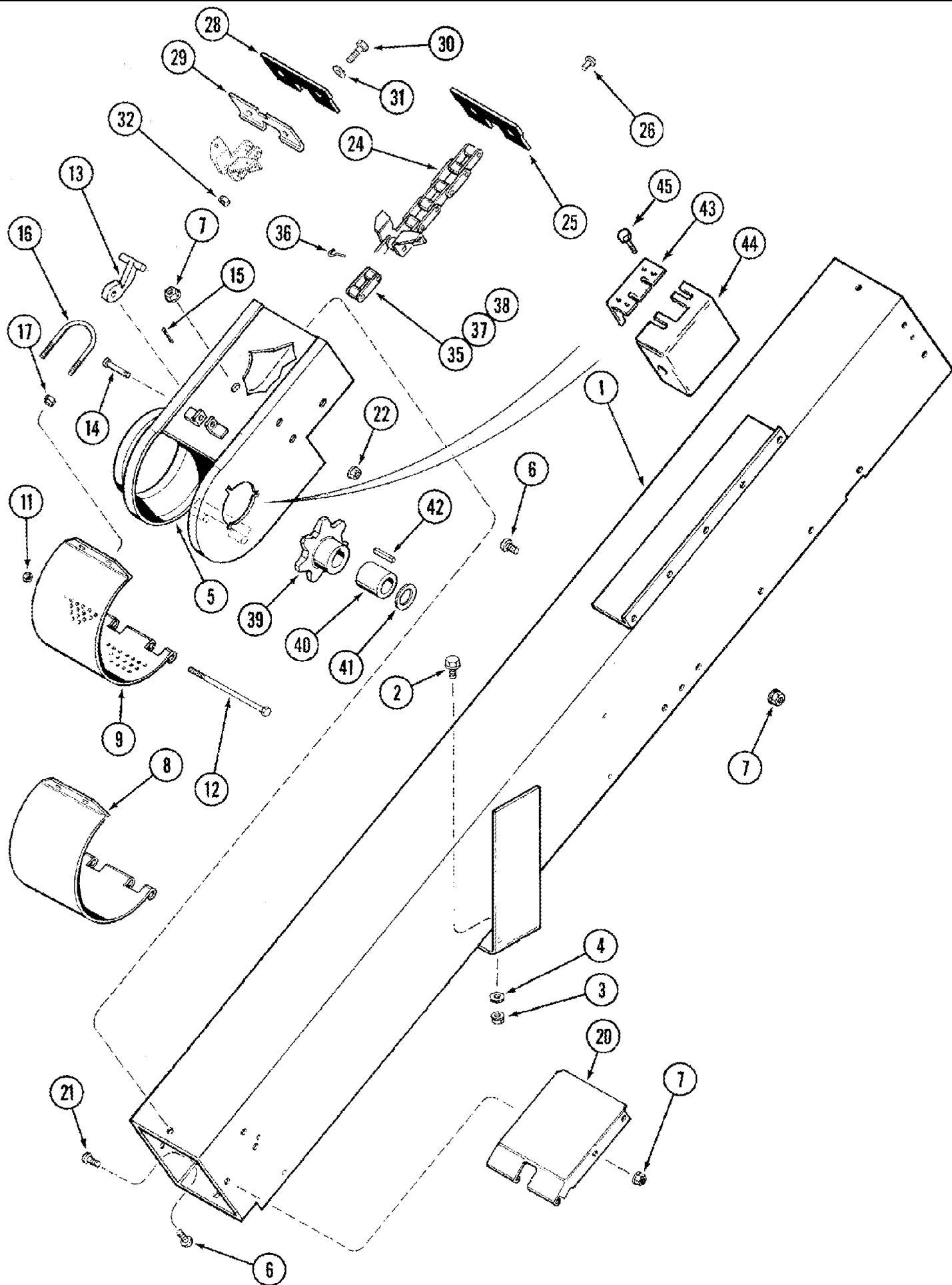
Ref	Part Number	Qty	Description
1	1970423C1	1	SHEET,
2	1346963C1	2	SUPPORT,
3	256873	8	BOLT, Hex Flg, 5/16"-18 x 1/2", Serr,
3	477-73112	AR	BOLT, Slotted Tr Hd, 5/16"-18 x 3/4",
3	477-73116	2	SCREW, Sltd Serr Truss Hd, 5/16"-18 x 1",
4	122851A1	1	STRAP,
5	231-5145	AR	NUT, Flg, USR, 5/16"-18,
6	432-612	2	PIN, SPLIT (COTTER), 3/32" x 3/4",
7	495-51041	2	WASHER, 3/8",
8	540815R2	2	SPRING,
9	477-73112	24	BOLT, Slotted Tr Hd, 5/16"-18 x 3/4",
10	1970529C1	1	SUPPORT,
11	1979194C2	1	SEAL,
13	191978C2	1	TAILGATE,
14	186736C3	2	ROD,
15	106743A1	1	HANDLE, , Note: Item 15 is Used to Adjust Shoe Sieves On Figure 09B-25
16	340-1108	2	SCREW, Cross Pan Hd, #10-24 x 1/2",
17	106744A1	2	CLIP,
18	231-51409	2	NUT, Flg, USR, #10-24,



09D-12 CLEANING SHOE DOOR - SHIELD - MODELS WITH STRAW AND CHAFF SPREADER

Ref	Part Number	Qty	Description
1	106743A1	1	HANDLE, , Note: Item 1 is Used to Adjust Shoe Sieves On Figure 09B-25
2	106744A1	2	CLIP,
3	86511920	2	SCREW, Cross Pan Hd, #10-24 x 1/2",
4	231-51409	2	NUT, Flg, USR, #10-24,
5	126091A1	1	SUPPORT,
6	409-7512	4-7	BOLT, Hex Flg, 5/16"-18 x 3/4", Serr,
7	231-5145	4	NUT, Flg, USR, 5/16"-18,
8	447681A1	1	DOOR,
9	126094A2	1	SUPPORT,
10	477-73112	6	BOLT, Slotted Tr Hd, 5/16"-18 x 3/4",
11	231-5145	6	NUT, Flg, USR, 5/16"-18,
12	186736C3	2	ROD,
13	540815R2	2	SPRING,
14	432-612	2	PIN, SPLIT (COTTER), 3/32" x 3/4",
15	495-11041	2	WASHER, 3/8", SAE,
16	586591R1	2	PIN, SPLIT (COTTER), 1/8
17	137480A1	2	SUPPORT,
18	137527A2	1	SUPPORT,
19	477-73112	10	BOLT, Slotted Tr Hd, 5/16"-18 x 3/4",
20	495-81116	8-11	WASHER, .344" x 1" x .060",
21	231-5145	10	NUT, Flg, USR, 5/16"-18,
22	87381635	1	RUBBER,
23	190692A2	1	DEFLECTOR,
24	87300945	1	STRAP,
25	231-5345	3	NUT, LOCK, Flg, 5/16"-18,

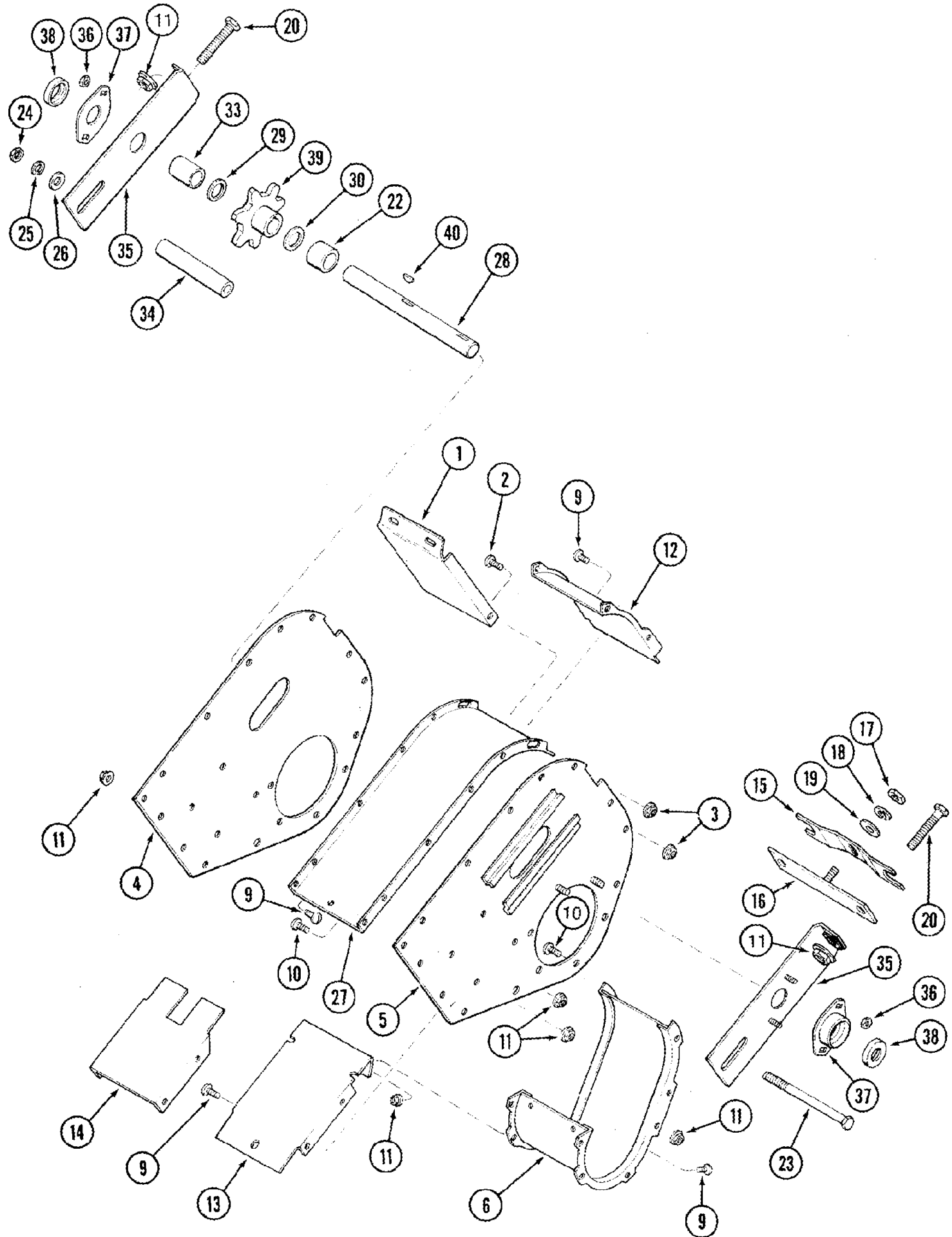
09D-13 TAILINGS - ELEVATOR HOUSING AND CONVEYOR



09D-13 TAILINGS - ELEVATOR HOUSING AND CONVEYOR

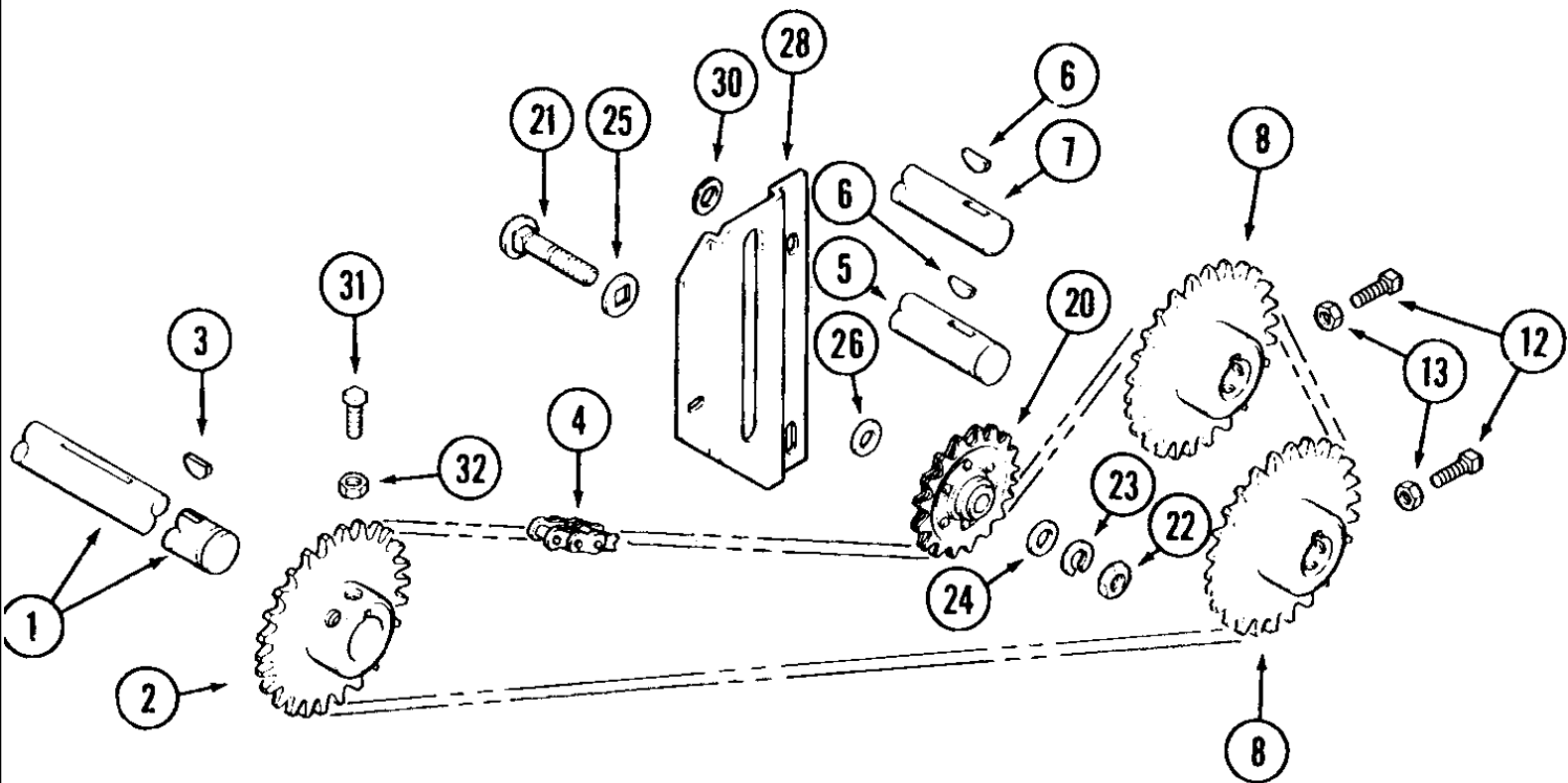
Ref	Part Number	Qty	Description
1	192430C3	1	TUBE,
2	409-7616	2	BOLT, Hex Flg, 3/8"-16 x 1", Serr,
3	231-5146	2	NUT, Flg, USR, 3/8"-16,
4	495-11041	8	WASHER, 3/8", SAE,
5	222814A2	1	BASE,
6	477-73108	8	SCREW, Slt'd Serr Truss Hd, 5/16"-18 x 1/2",
7	231-5145	8	NUT, Flg, USR, 5/16"-18,
8	156910C1	1	DOOR, Non-perforated
9	174193C1	1	DOOR, Perforated
11	231-4115	1	NUT, LOCK, 5/16"-18, GB,
12	413-5104	1	BOLT, Hex, 5/16"-18 x 6 1/2", G5,
13	155909C1	1	LATCH,
14	439-1420	1	PIN, HEADED, 1/4" x 1 1/4",
15	432-812	1	PIN, SPLIT (COTTER), 1/8" x 3/4",
16	664360R1	1	BOLT,
17	231-1444	2	NUT, LOCK, 1/4"-20, GB,
20	191790C2	1	END,
21	477-73112	2	BOLT, Slotted Tr Hd, 5/16"-18 x 3/4",
21	477-73116	2	SCREW, Slt'd Serr Truss Hd, 5/16"-18 x 1",
22	231-5145	4	NUT, Flg, USR, 5/16"-18,
	1303114C91	1	CHAIN, ELEVATOR, Conveyor, Inc. 24, 25 (27), 26 (54), 27 (27)
24	NSS	1	NOT SERVICED SEPARATELY, Chain, Tailings Elevator Conveyor Assy, Inc. 35 - 38
	1303123C91	27	CONVEYOR, Flight, Inc. 25 - 27
25	1303116C1	1	FLIGHT, RUBBER,
26	185315C1	2	RIVET, 3/8 x 5/8
27	185330C91	1	LINK, Attaching
	1303124C92	AR	FLIGHT, RUBBER, /Steel Assy, Inc. 28 - 32
28	1303116C1	1	FLIGHT, RUBBER,
29	1303125C1	1	FLIGHT, STEEL,
30	413-520	2	BOLT, Hex, 5/16"-18 x 1 1/4", G5,
31	495-11034	2	WASHER, 5/16", SAE,
32	232-4115	2	NUT, LOCK, 5/16"-18, GC,
35	241-15113	1	LINK, CONNECTING, Connecting, No. C550, 1-5/8 P
36	23442R1	AR	PIN, S Type, No. 550
37	241-18113	1	LINK, CHAIN, Offset, No. C550, 1-5/8 P
38	241-12113	AR	LINK, CHAIN, No. C550, 1-5/8 P
39	144031A1	1	SPROCKET, 7T
40	144038A1	1	SPACER, 1-1/4 x 1-3/8
41	495-81202	AR	WASHER, 1 9/32" x 1 3/4" x .060",
42	Q1443	1	KEY, 5/16" Sq x 1 1/2", Par,
43	183869C3	1	SUPPORT, Australia Only
44	177449A2	1	COVER, Australia Only
45	280-1478	2	SCREW, SELF TAPPING, Hex Wash Hd, 1/4" x 1/2",

09D-14 TAILINGS - ELEVATOR HEAD



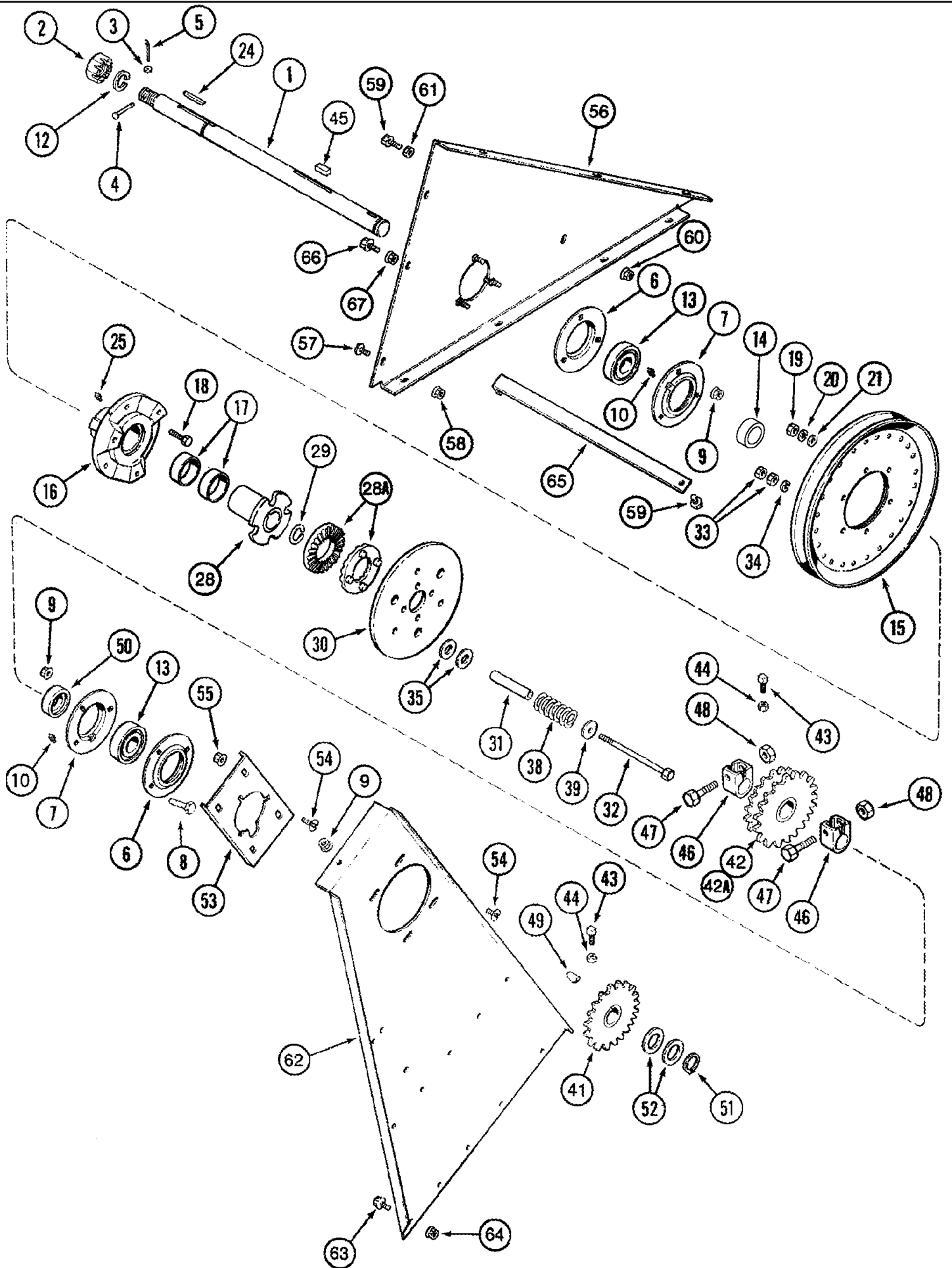
09D-14 TAILINGS - ELEVATOR HEAD

Ref	Part Number	Qty	Description
1	192426C1	1	SUPPORT, Upper
2	477-73112	2	BOLT, Slotted Tr Hd, 5/16"-18 x 3/4",
3	231-5145	2	NUT, Flg, USR, 5/16"-18,
4	181366C1	1	PLATE, SIDE, Left Hand
5	181367C1	1	PLATE, SIDE, Right Hand
6	188119C1	1	TROUGH,
9	477-73108	24	SCREW, Sltd Serr Truss Hd, 5/16"-18 x 1/2",
10	477-73112	11	BOLT, Slotted Tr Hd, 5/16"-18 x 3/4",
11	231-5145	36	NUT, Flg, USR, 5/16"-18,
12	191776C1	1	SUPPORT,
13	191782C1	1	SUPPORT, Lower
14	181327C1	1	BOTTOM, Lower
15	181376C1	1	CLAMP,
16	181375C1	1	SUPPORT,
17	425-106	1	NUT, 3/8"-16, G5,
18	492-11038	1	WASHER, LOCK, 3/8",
19	495-81135	1	WASHER, 13/32" x 1" x .120",
20	667486R1	2	SCREW, 1/2 x 3-1/2
22	87036418	1	SPACER, 1" Pipe x 1 9/16",
23	424-5112	1	BOLT, Hex, 5/16"-18 x 7", G2,
24	425-105	1	NUT, 5/16"-18, G5,
25	492-11031	1	WASHER, LOCK, 5/16",
26	495-11034	2	WASHER, 5/16", SAE,
26	495-81057	3	WASHER, 29/32" x 1 1/2" x .120",
27	191783C1	1	COVER, TOP, Cover
28	87515814	1	SHAFT,
29	495-81069	2	WASHER, 1 1/32" x 1 1/2" x .060",
30	495-81073	2	WASHER, 1 1/32" x 1 3/4" x .060",
33	516327R1	1	SPACER, 1" Pipe x 2 3/4",
34	87302565	2	SPACER, 1/4 x 5-13/16
35	181364C1	2	SUPPORT,
36	231-5145	4	NUT, Flg, USR, 5/16"-18,
37	214490C91	2	BEARING, BALL,
38	38260	2	COLLAR, Inc. Set Screw
39	168683C1	1	SPROCKET,
40	126-124	1	KEY, WOODRUFF, #15, 1/4" x 1", HT,



09D-15 TAILINGS - ELEVATOR DRIVE

Ref	Part Number	Qty	Description
1	1319247C1	1	SHAFT,
2	296022A1	1	SPROCKET, 27T, Drive
3	126-125	1	KEY, WOODRUFF, #B, 5/16" x 1", HT,
4	1302671C92	1	CHAIN, Order 1791D (155), 241-1315 (1), Tailings Drive
5	192563C1	1	AUGER, Delivery, See Figure 09D-08
6	126-124	2	KEY, WOODRUFF, #15, 1/4" x 1", HT,
7	191785C1	1	SHAFT,
8	1345472C1	2	SPROCKET, 27T
12	485-13816	2	SET SCREW, Sq Hd, 3/8"-16 x 1",
13	425-146	2	NUT, Jam, 3/8"-16, G5,
20	103244	1	SPROCKET, 17T
21	433-1048	1	BOLT, CARRIAGE, Short NK, 5/8"-11 x 3", G5,
22	425-1010	1	NUT, 5/8"-11, G5,
23	492-11062	1	WASHER, LOCK, 5/8",
24	495-11066	4	WASHER, 5/8", SAE,
25	498-81010	2	WASHER, 41/64" x 1 1/2" x .105", Sq Hole,
26	495-81182	2	WASHER, 21/32" x 1 1/4" x .060",
28	1302069C2	1	SUPPORT,
30	495-81135	3	WASHER, 13/32" x 1" x .120",
31	485-13816	2	SET SCREW, Sq Hd, 3/8"-16 x 1",
32	425-146	2	NUT, Jam, 3/8"-16, G5,



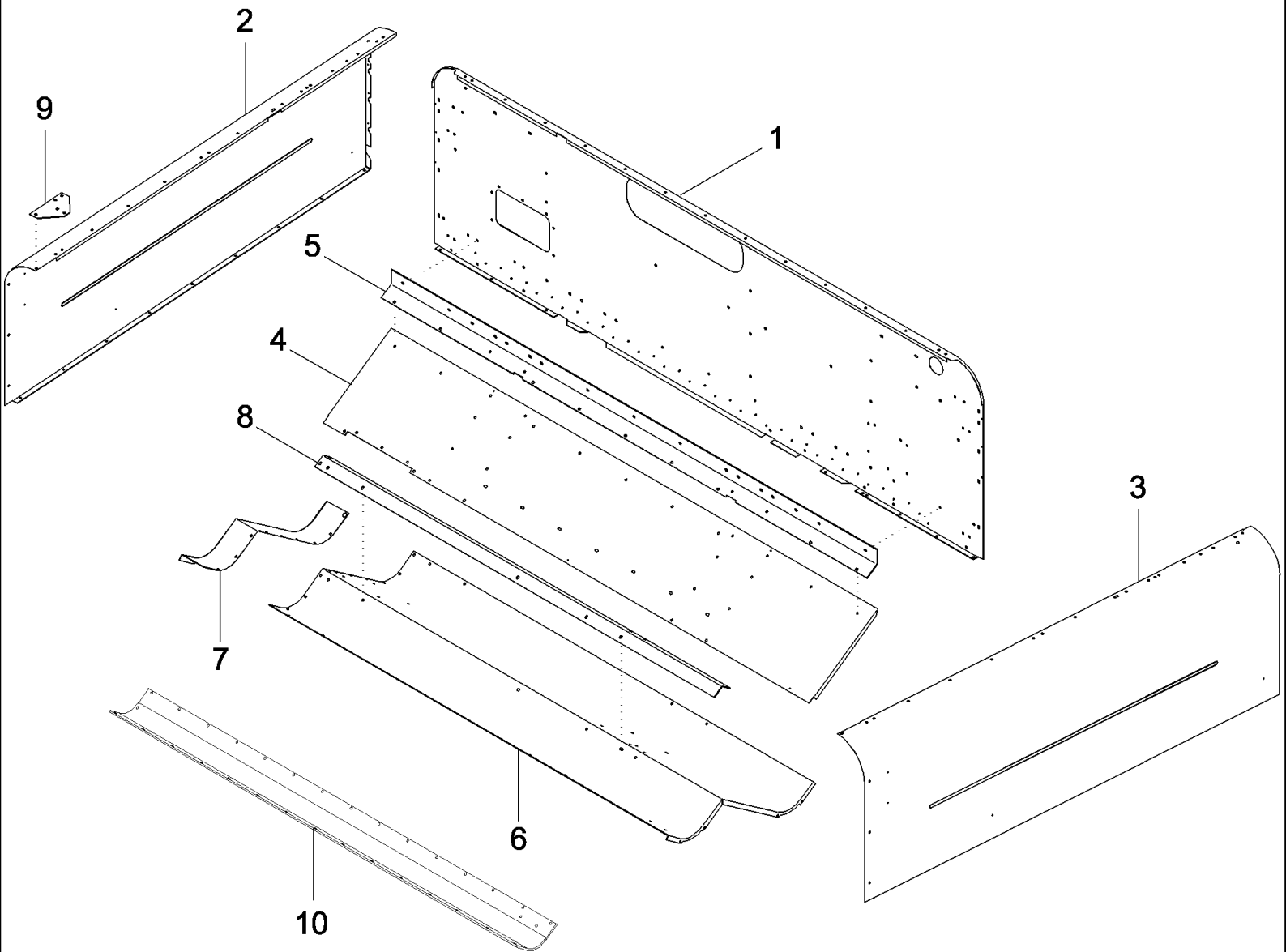
09D-16 ELEVATOR - JACKSHAFT, DRIVE

Ref	Part Number	Qty	Description
1	1319247C1	1	SHAFT,
2	425-1316	1	NUT, SLOTTED, 1"-14, G5,
3	495-31022	AR	WASHER, #10,
4	427-3175	1	PIN, CLEVIS, 3/16" x 1 3/4",
5	432-48	1	PIN, SPLIT (COTTER), 1/16" x 1/2",
6	86620026	2	FLANGE,
7	86620418	2	FLANGE, With Fitting Hole
8	477-73816	3	SCREW, Slt'd Serr Truss Hd, 3/8" x 1",
9	231-5146	6	NUT, Flg, USR, 3/8"-16,
10	219-37	2	NIPPLE, LUBE, 45c, 1/4" NPT x .81" lg,
12	492-11100	1	WASHER, LOCK, 1",
13	473097R92	2	BEARING, BALL,
14	87679416	1	SPACER, Elevator Jackshaft
15	183325C1	1	PULLEY, 13 in OD
16	183210C91	1	HUB, Inc. 17
17	936744R1	2	BUSHING,
18	413-620	3	BOLT, Hex, 3/8"-16 x 1 1/4", G5, Full Thd,
19	231-4116	3	NUT, LOCK, 3/8"-16, GB,
20	492-11038	3	WASHER, LOCK, 3/8",
21	495-11041	3	WASHER, 3/8", SAE,
24	586879R1	1	KEY, 5/16 x 2
25	219-87	1-2	NIPPLE, LUBE, 1/4"-28 x .56" lg, Self-Tap,
28	198279A1	1	HUB,
28A	168370C2	2	CLUTCH, PLATE,
29	1319235C1	1	RING,
30	194835C2	1	RETAINER,
31	186916C2	3	BUSHING,
32	413-6104	3	BOLT, Hex, 3/8"-16 x 6 1/2", G5,
33	425-106	6	NUT, 3/8"-16, G5,
34	492-11038	3	WASHER, LOCK, 3/8",
35	495-11081	6	WASHER, 3/4", SAE,
38	87527502	3	SPRING,
39	495-81143	3	WASHER, 13/32" x 1 1/2" x .120",
41	296022A1	1	SPROCKET, 27T
42	296023A1	1	SPROCKET, 27T, 32T
42A	348324A1	AR	SPROCKET, 27T, 20T, Edible Bean
43	485-13816	4	SET SCREW, Sq Hd, 3/8"-16 x 1", Used with 296023A1
43	385-13820	2	SET SCREW, Sq Hd, 3/8"-16 x 1 1/4", Used with 348324A1
44	425-146	4	NUT, Jam, 3/8"-16, G5, Used with 296023A1
44	425-126	2	NUT, SLOTTED, 3/8"-16, G5, Used with 348324A1
45	581306R1	1	KEY, 5/16" Sq x 1 1/4", Par,
46	225265R1	2	CLAMP,
47	413-836	2	BOLT, Hex, 1/2"-13 x 2 1/4", G5,

09D-16 ELEVATOR - JACKSHAFT, DRIVE

Ref	Part Number	Qty	Description
48	231-4118	2	NUT, LOCK, 1/2"-13, GB,
49	126-125	1	KEY, WOODRUFF, #B, 5/16" x 1", HT,
50	87431217	1	COLLAR,
51	100-16125	1	RING, SNAP, #125, Ext,
52	495-81203	2	WASHER, 1 9/32" x 2" x .120",
52	495-81211	1	WASHER, 1 11/32" x 2" x .120",
53	192138C2	1	BRACKET, Outer
54	477-73812	4	SCREW, Sltd Serr Truss Hd, 3/8" x 3/4",
55	231-5146	4	NUT, Flg, USR, 3/8"-16,
56	183206C2	1	SUPPORT, Inner, Inc. 56A
56A	51-13816	3	STUD, 3/8 x 1, (Not Shown)
57	477-73112	6	BOLT, Slotted Tr Hd, 5/16"-18 x 3/4",
58	231-5145	6	NUT, Flg, USR, 5/16"-18,
59	409-7616	2	BOLT, Hex Flg, 3/8"-16 x 1", Serr,
60	231-5146	2	NUT, Flg, USR, 3/8"-16,
61	425-146	1	NUT, Jam, 3/8"-16, G5,
62	192190C3	1	SUPPORT, Outer
63	409-7612	10	BOLT, Hex Flg, 3/8"-16 x 3/4", Serr,
64	231-5146	10	NUT, Flg, USR, 3/8"-16,
65	192230C1	1	SUPPORT, Outer
66	409-7516	1	BOLT, Hex Flg, 5/16"-18 x 1", Serr,
67	231-5145	1	NUT, Flg, USR, 5/16"-18,

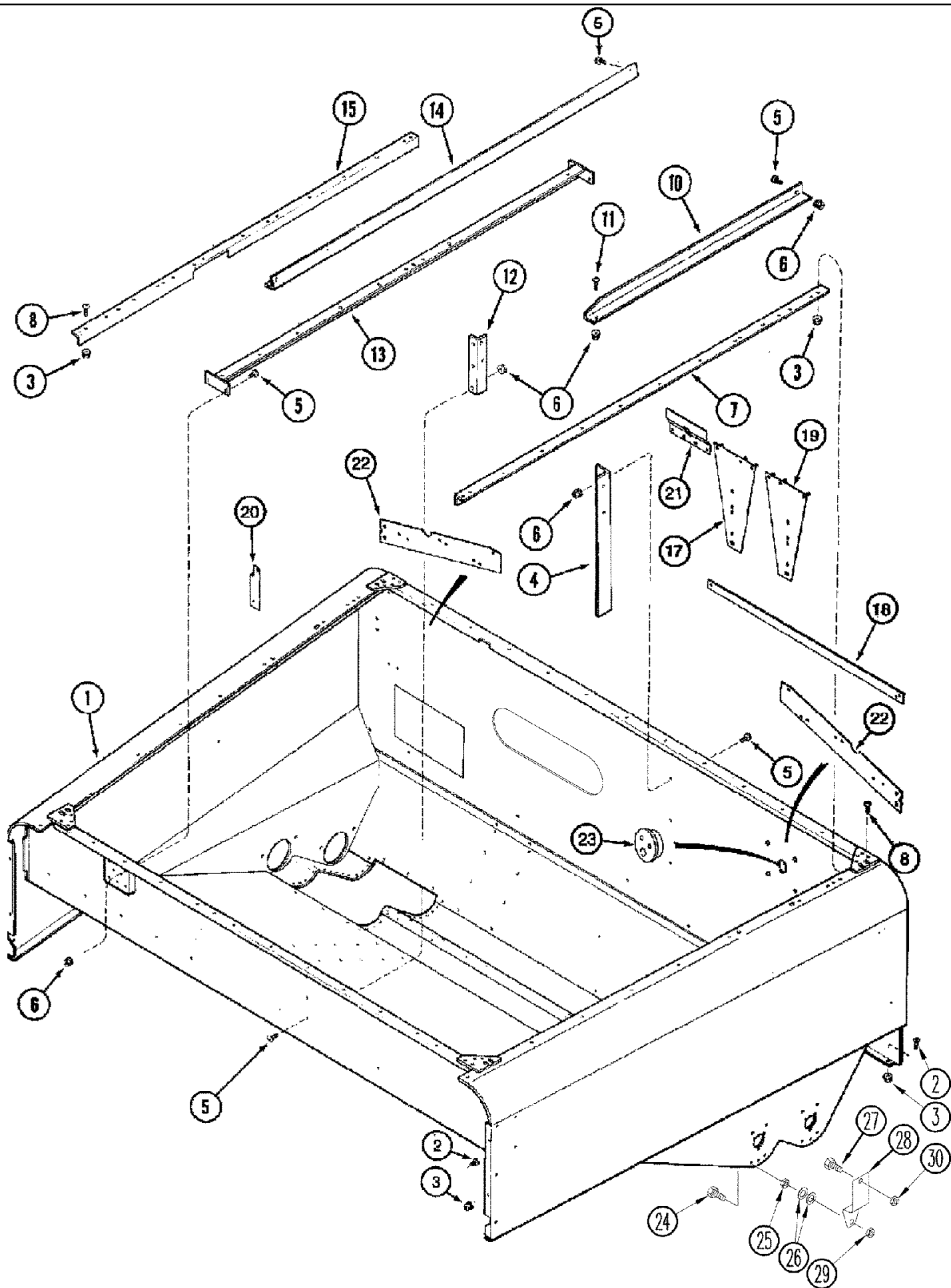
09E-01 GRAIN TANK ASSEMBLY



09E-01 GRAIN TANK ASSEMBLY

Ref	Part Number	Qty	Description
	87371346	1	TANK, Assembly, Grain, Inc. 1 - 9
1	123006A8	1	SHEET, Grain Tank Front
2	252130A1	1	SHEET, Grain Tank, Left Hand
3	252129A1	1	SHEET, Grain Tank, Right Hand
4	192754C4	1	SHEET, Grain Tank, Bottom Front
5	253800A1	1	STIFFENER, Front Lower Stiffener
6	87365721	1	TANK, Grain Tank, Bottom, Right Hand
7	87534122	1	Grain Tank , Bottom Left Hand
8	192759C1	1	STIFFENER, Bottom Stiffener
9	256027A1	1	PLATE, Upper Left Hand Stiffener
10	87561634	1	COVER, Grain Trough Liner

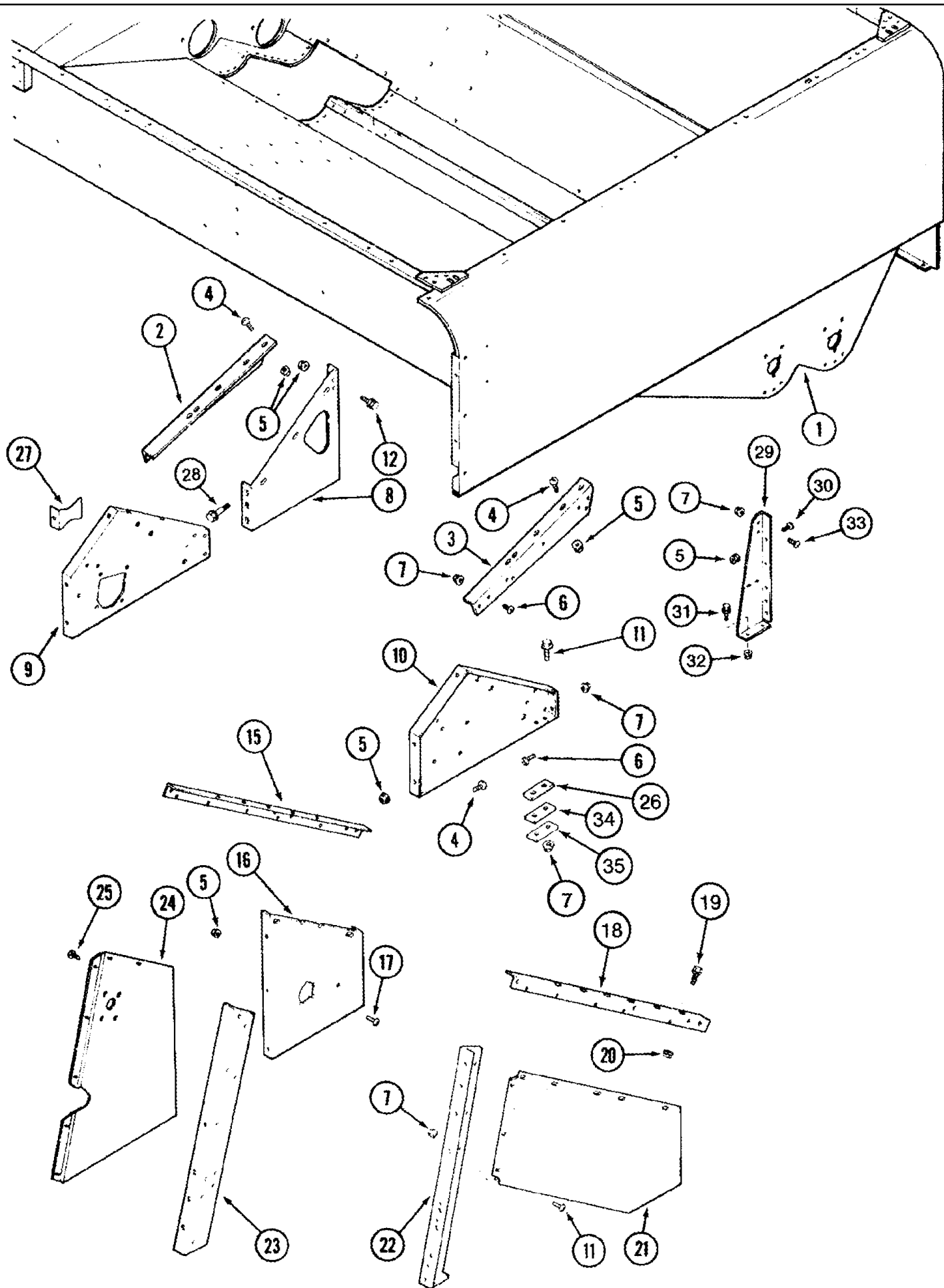
09E-02 GRAIN TANK - SUPPORTS, UPPER



09E-02 GRAIN TANK - SUPPORTS, UPPER

Ref	Part Number	Qty	Description
1	87371346	1	TANK, Assy, Grain, See Figure 09E-01
2	477-73108	AR	SCREW, Sltd Serr Truss Hd, 5/16"-18 x 1/2",
2	409-7520	1	BOLT, Hex Flg, 5/16"-18 x 1 1/4", Serr,
3	231-5145	AR	NUT, Flg, USR, 5/16"-18,
4	192765C1	1	SUPPORT, Front
5	477-73812	AR	SCREW, Sltd Serr Truss Hd, 3/8" x 3/4",
6	231-5146	AR	NUT, Flg, USR, 3/8"-16,
7	195398C3	1	SUPPORT, Upper Right Hand
8	477-73112	AR	BOLT, Slotted Tr Hd, 5/16"-18 x 3/4",
10	188414C6	1	ANGLE,
11	477-73816	AR	SCREW, Sltd Serr Truss Hd, 3/8" x 1",
12	181682C2	1	SUPPORT, Rear
13	192855C1	1	SUPPORT,
14	87302116	1	
15	195397C4	1	SUPPORT, Upper Left Hand
17	255265A3	1	PLATE, Left Hand Front, Inc. 17A, 17B
17A	255267A3	1	PLATE,
17B	51-13816	3	STUD,
	409-7616	3	BOLT, Hex Flg, 3/8"-16 x 1", Serr,
	231-5146	6	NUT, Flg, USR, 3/8"-16,
18	255684A1	1	STRAP, Right Hand Front
	409-7612	2	BOLT, Hex Flg, 3/8"-16 x 3/4", Serr,
	231-5146	2	NUT, Flg, USR, 3/8"-16,
19	255269A3	1	PLATE, Right Hand, Inc. 17A, 17B
	409-7616	3	BOLT, Hex Flg, 3/8"-16 x 1", Serr,
	231-5146	6	NUT, Flg, USR, 3/8"-16,
20	255724A1	1	SUPPORT, Tool
	409-7516	2	BOLT, Hex Flg, 5/16"-18 x 1", Serr,
	231-5145	2	NUT, Flg, USR, 5/16"-18,
21	255448A1	1	PLATE, Front
	256873	7	BOLT, Hex Flg, 5/16"-18 x 1/2", Serr,
	231-5145	7	NUT, Flg, USR, 5/16"-18,
22	259235A3	2	SUPPORT,
23	258336A1	1	GROMMET,
24	409-7520	2	BOLT, Hex Flg, 5/16"-18 x 1 1/4", Serr,
25	231-5145	2	NUT, Flg, USR, 5/16"-18,
26	495-11034	6	WASHER, 5/16", SAE,
27	440-1108	2	SCREW, Cross Pan Hd, #10-24 x 1/2",
28	431114A1	2	BRACKET,
29	231-1445	2	NUT, LOCK, 5/16"-18, GB,
30	86625057	2	NUT, LOCK, #10-24, GB,
31	129-419	2	NUT, WING, 5/16"-18, (Not Shown)
32	492-11031	2	WASHER, LOCK, 5/16", (Not Shown)

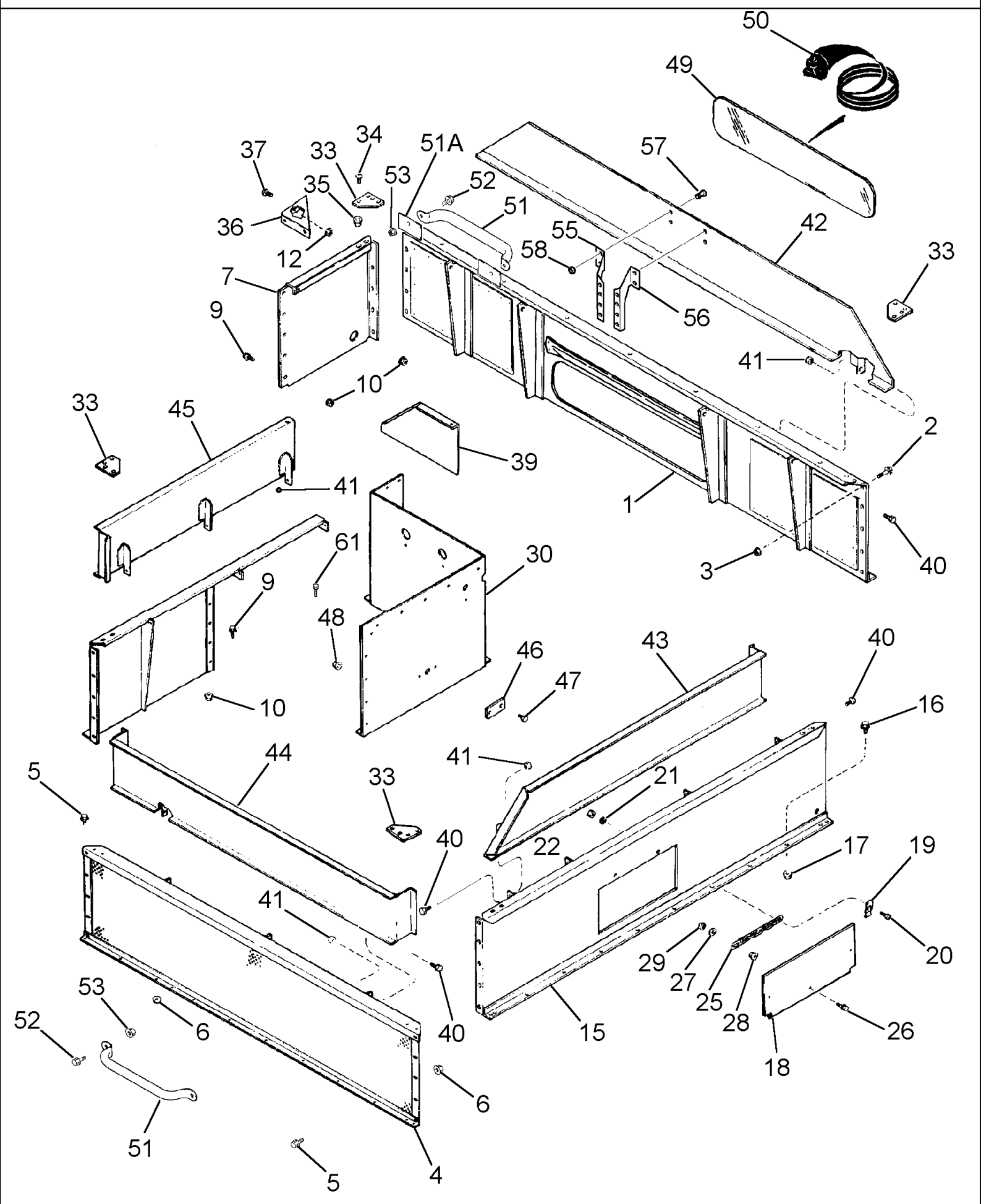
09E-03 GRAIN TANK - SUPPORTS, LOWER



09E-03 GRAIN TANK - SUPPORTS, LOWER

Ref	Part Number	Qty	Description
1	87371346	1	TANK, Assy, Grain, See Figure 09E-01
2	192768C3	1	SUPPORT, Diagonal Left Hand
3	192769C3	1	SUPPORT, Diagonal Right Hand
4	477-73112	AR	BOLT, Slotted Tr Hd, 5/16"-18 x 3/4",
4	477-73116	3	SCREW, Slt'd Serr Truss Hd, 5/16"-18 x 1",
5	231-5145	AR	NUT, Flg, USR, 5/16"-18,
6	477-73812	AR	SCREW, Slt'd Serr Truss Hd, 3/8" x 3/4",
7	231-5146	AR	NUT, Flg, USR, 3/8"-16,
8	176194A4	1	SUPPORT, Left Hand Front
9	192771C3	1	SUPPORT, Center Left Hand
10	192772C3	1	SUPPORT, Center Right Hand
11	409-7612	17	BOLT, Hex Flg, 3/8"-16 x 3/4", Serr,
12	409-7512	6	BOLT, Hex Flg, 5/16"-18 x 3/4", Serr,
15	193469C1	1	SUPPORT, Left Hand Rear, Bottom
16	1347380C2	1	SUPPORT, Left Hand Rear
17	477-73108	AR	SCREW, Slt'd Serr Truss Hd, 5/16"-18 x 1/2",
18	193470C1	1	SUPPORT, Right Hand Rear, Bottom
19	409-7816	4	BOLT, Hex Flg, 1/2"-13 x 1", Serr,
20	231-5148	10	NUT, Flg, USR, 1/2"-13,
21	193465C2	1	COVER, Right Hand Rear
22	181394C2	1	SUPPORT, Vertical, Right Hand Rear
23	193462C4	1	SUPPORT, Vertical, Left Hand Rear
24	193464C3	1	SUPPORT, Left Hand Rear
25	138558A1	32	SCREW, 5/16 x 13/16
26	1302549C2	AR	PLATE, Left Hand Front
27	193531C1	4	SUPPORT,
28	409-7824	2	BOLT, Hex Flg, 1/2"-13 x 1 1/2", Serr,
29	193430C4	1	SUPPORT, Right Hand Front
30	477-73116	5	SCREW, Slt'd Serr Truss Hd, 5/16"-18 x 1",
31	409-7824	6	BOLT, Hex Flg, 1/2"-13 x 1 1/2", Serr,
32	231-5148	8	NUT, Flg, USR, 1/2"-13,
33	477-73816	7	SCREW, Slt'd Serr Truss Hd, 3/8" x 1",
34	302454A1	AR	PLATE, Front Middle
35	302455A1	AR	PLATE, Front Top
36	1301560C2	1	STIFFENER, Under Rear Tank Wall, (Not Shown)

09E-04 GRAIN TANK EXTENSIONS



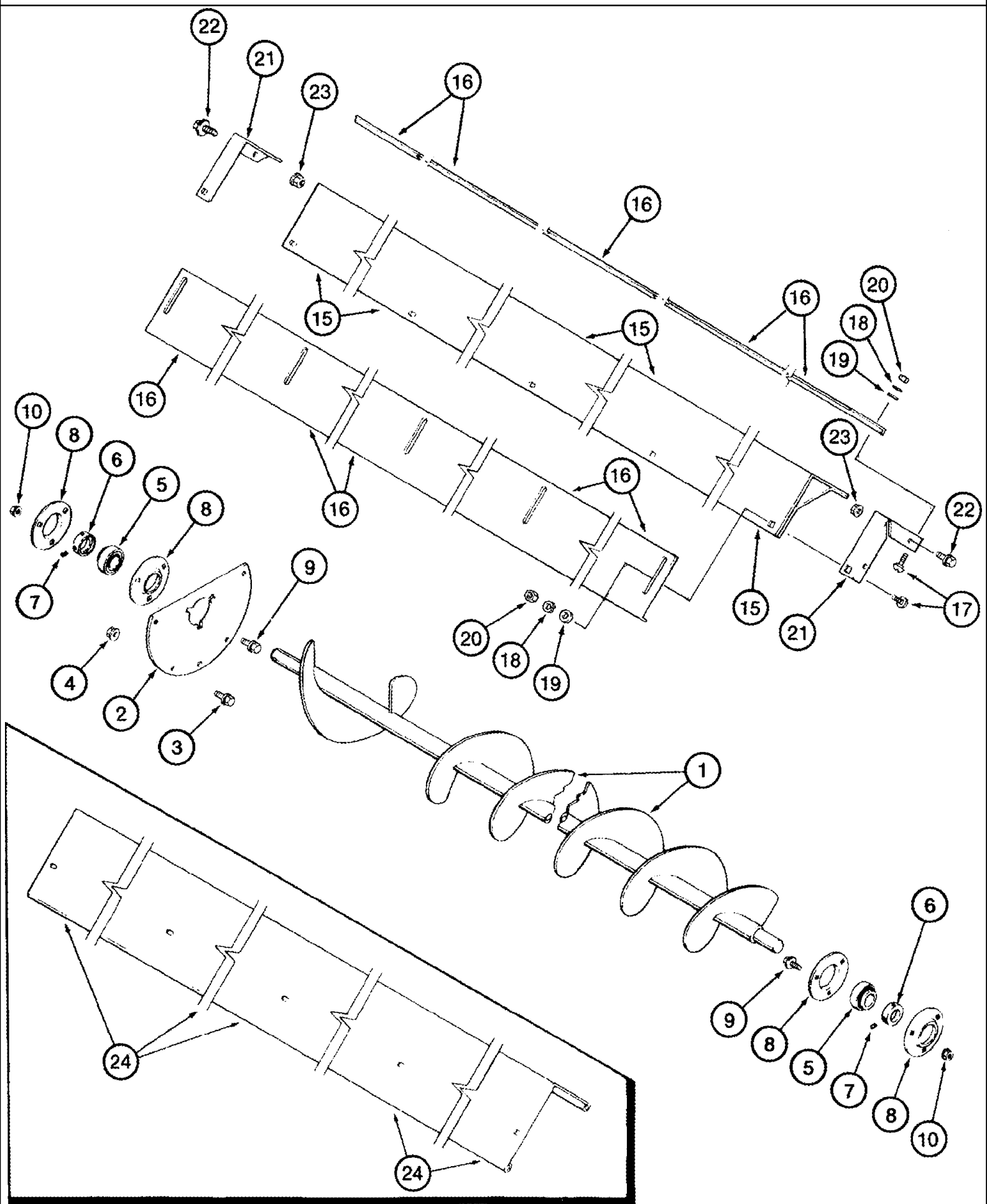
09E-04 GRAIN TANK EXTENSIONS

Ref	Part Number	Qty	Description
1	189452A2	1	EXTENSION, Front, Inc. Decal, See Figure 09H-23, REF 7
2	409-7512	25	BOLT, Hex Flg, 5/16"-18 x 3/4", Serr,
3	231-5145	25	NUT, Flg, USR, 5/16"-18,
4	442743A3	1	EXTENSION, Rear
5	409-7512	26	BOLT, Hex Flg, 5/16"-18 x 3/4", Serr,
6	231-5145	26	NUT, Flg, USR, 5/16"-18,
7	1321775C3	1	EXTENSION, Left Hand Front
8	1321771C1	1	EXTENSION, Left Hand Rear
9	409-7512	29	BOLT, Hex Flg, 5/16"-18 x 3/4", Serr,
10	231-5145	29	NUT, Flg, USR, 5/16"-18,
12	231-5146	4	NUT, Flg, USR, 3/8"-16,
15	1327640C2	1	RISER, Right Hand
16	409-7516	12	BOLT, Hex Flg, 5/16"-18 x 1", Serr,
17	231-5145	12	NUT, Flg, USR, 5/16"-18,
18	1327644C2	1	PLATE,
19	167800C1	2	FASTENER,
20	470-11012	2	SCREW, Slotted Pan Hd, #10-24 x 3/4",
21	492-11010	2	WASHER, LOCK, #10,
22	225-14110	2	NUT, #10-24,
25	167570C1	1	CHAIN,
26	409-7416	2	BOLT, Hex Flg, 1/4"-20 x 1", Serr,
27	495-11028	2	WASHER, 1/4", SAE,
28	231-5144	2	NUT, Flg, USR, 1/4"-20,
29	231-4144	2	NUT, LOCK, 1/4"-20, GB,
30	1317635C2	1	SHEET, Left Hand
33	1321757C1	4	PLATE,
34	477-73112	16	BOLT, Slotted Tr Hd, 5/16"-18 x 3/4",
35	231-5145	16	NUT, Flg, USR, 5/16"-18,
36	1327510C1	1	SUPPORT,
37	477-73816	4	SCREW, Sltd Serr Truss Hd, 3/8" x 1",
39	87551551	1	EXTENSION, Left Hand Front
40	413-512	13	BOLT, Hex, 5/16"-18 x 3/4", G5, Full Thd,
41	231-1445	16	NUT, LOCK, 5/16"-18, GB,
42	87551543	1	EXTENSION, Upper Front
43	87551545	1	EXTENSION, Right Hand
44	87551547	1	EXTENSION, Rear
45	87551549	1	EXTENSION, Left Hand Rear
46	1317645C2	1	PLATE,
47	256873	2	BOLT, Hex Flg, 5/16"-18 x 1/2", Serr,
48	231-5145	2	NUT, Flg, USR, 5/16"-18,
49	184957A1	1	GLASS,
50	188214A1	1	SEAL, WINDOW,
51	256952A2	1-2	HANDRAIL,

09E-04 GRAIN TANK EXTENSIONS

Ref	Part Number	Qty	Description
51A	275731A1	2-4	PLATE,
52	279182A3	2-4	BOLT, 3/8 x 1
53	231-5346	2-4	NUT, LOCK, Flg, 3/8"-16,
54	198820C1	1	GROMMET, (Not Shown)
55	241682A1	1	SUPPORT, Left Hand
56	241683A1	1	SUPPORT, Right Hand
57	409-7512	4	BOLT, Hex Flg, 5/16"-18 x 3/4", Serr,
58	231-5145	4	NUT, Flg, USR, 5/16"-18,
59	258728A1	3	STRIP, SEALING, (Not Shown)
61	409-7520	1	BOLT, Hex Flg, 5/16"-18 x 1 1/4", Serr,
62	444672A2	1	SUPPORT, Rotor Service Cover

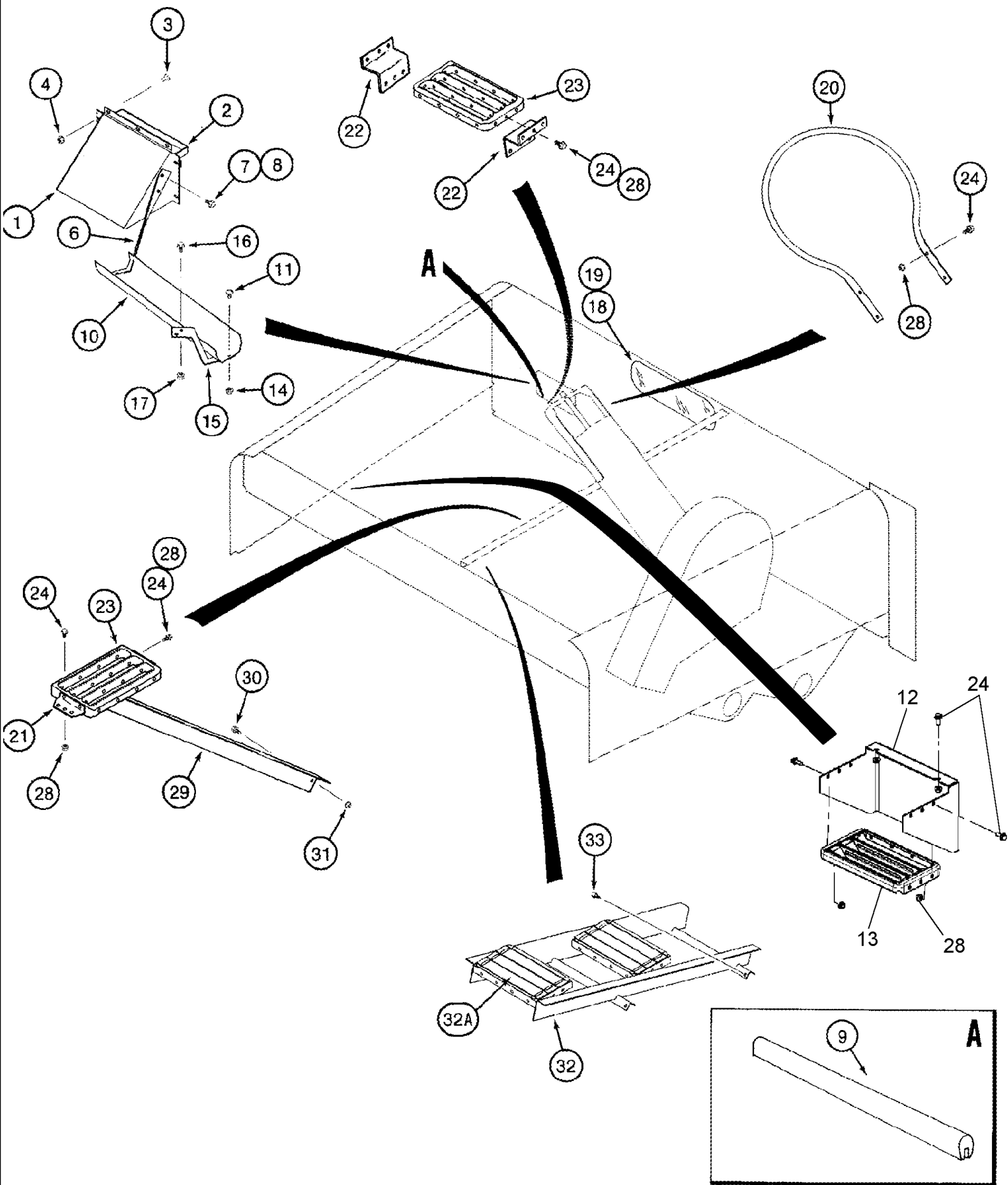
09E-05 AUGERS - GRAIN TANK, LOWER



09E-05 AUGERS - GRAIN TANK, LOWER

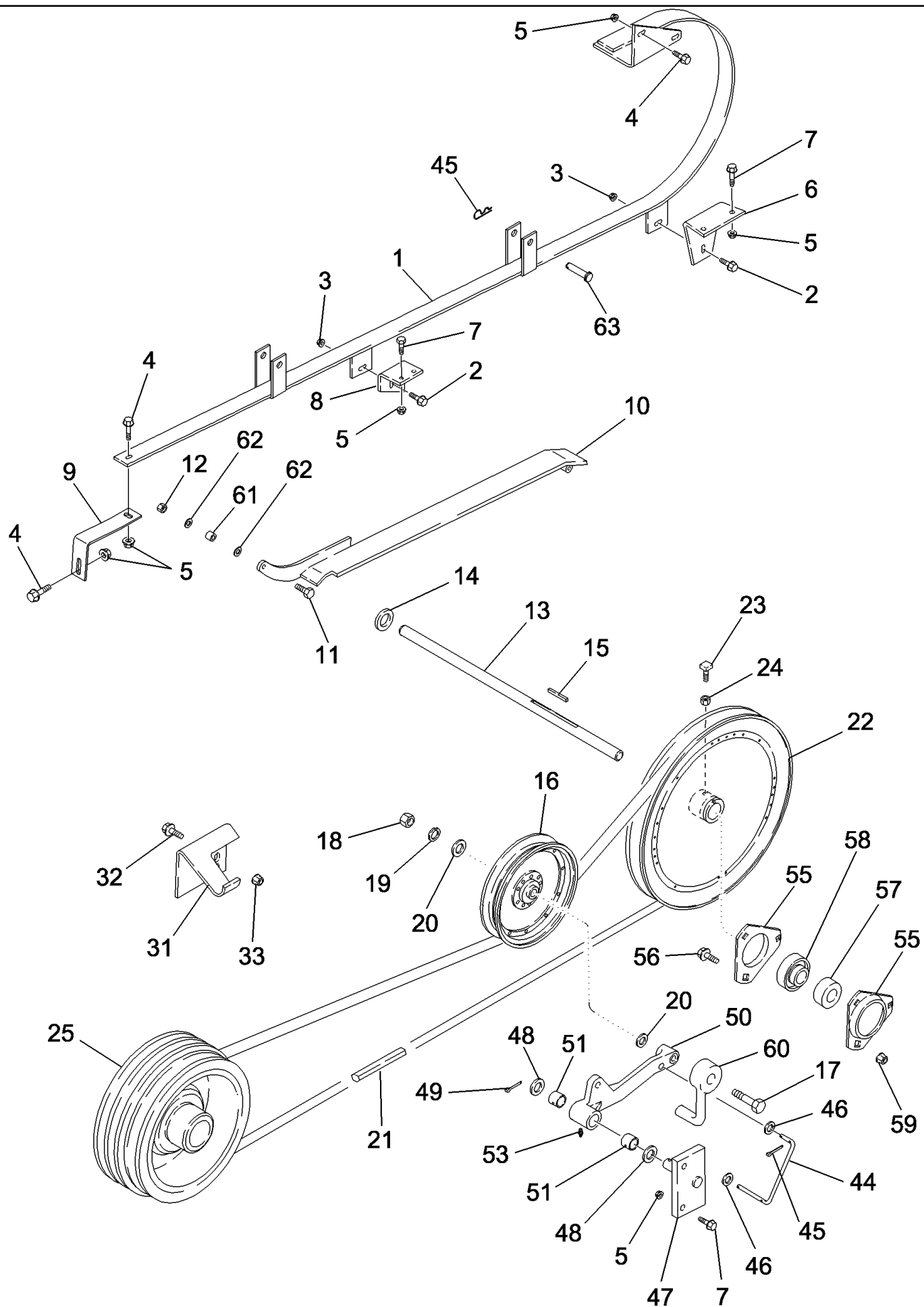
Ref	Part Number	Qty	Description
1	87617556	2	AUGER, Grain Tank, Lower
2	192789C1	2	RETAINER,
3	409-7512	9	BOLT, Hex Flg, 5/16"-18 x 3/4", Serr,
3	409-7520	1	BOLT, Hex Flg, 5/16"-18 x 1 1/4", Serr,
4	231-5145	10	NUT, Flg, USR, 5/16"-18,
5	204807C91	4	BEARING, BALL,
6	38260	4	COLLAR, Inc. 7
7	83-1254	1	SET SCREW, Hex Soc, 1/4"-20 x 1/4",
8	86603075	8	FLANGE,
9	409-7512	12	BOLT, Hex Flg, 5/16"-18 x 3/4", Serr,
10	231-5145	12	NUT, Flg, USR, 5/16"-18,
15	1321082C5	1	COVER,
16	1321089C1	3	PLATE,
17	434-516	15	BOLT, CARRIAGE, Short NK, 5/16"-18 x 1", G5, Full Thd,
18	492-11031	15	WASHER, LOCK, 5/16",
19	496-21034	15	WASHER, 11/32" x 11/16" x 0.89", HDN,
20	425-105	15	NUT, 5/16"-18, G5,
21	1321242C1	4	SUPPORT,
22	409-7612	8	BOLT, Hex Flg, 3/8"-16 x 3/4", Serr,
23	231-5146	8	NUT, Flg, USR, 3/8"-16,
24	1979940C3	1	COVER,

09E-06 GRAIN TANK - STEPS AND SAMPLE TROUGH



09E-06 GRAIN TANK - STEPS AND SAMPLE TROUGH

Ref	Part Number	Qty	Description
1	115730A1	1	SHEET,
2	185668A1	1	SUPPORT,
3	477-73112	7	BOLT, Slotted Tr Hd, 5/16"-18 x 3/4",
4	231-5145	7	NUT, Flg, USR, 5/16"-18,
6	124001A1	1	SUPPORT,
7	409-7512	2	BOLT, Hex Flg, 5/16"-18 x 3/4", Serr,
8	231-5145	2	NUT, Flg, USR, 5/16"-18,
9	126046A1	1	GASKET, 292 mm (11-1/2 in), Cut From 1330108CX
10	123977A2	1	BOTTOM,
11	477-73112	2	BOLT, Slotted Tr Hd, 5/16"-18 x 3/4",
12	87540683	1	BRACKET, Step
13	1531337C1	1	STEP,
14	231-5145	2	NUT, Flg, USR, 5/16"-18,
15	124000A1	1	SUPPORT,
16	409-7512	2	BOLT, Hex Flg, 5/16"-18 x 3/4", Serr,
17	231-5145	2	NUT, Flg, USR, 5/16"-18,
18	120550A1	1	GLASS,
19	123579A1	1	STRIP, 1524 mm (60 in), Cut From 198131C2
20	129073A1	1	HANDLE,
21	129077A3	2	SUPPORT,
22	141410A1	2	SUPPORT,
23	1531337C1	2	STEP,
24	409-7512	24	BOLT, Hex Flg, 5/16"-18 x 3/4", Serr,
28	231-5145	24	NUT, Flg, USR, 5/16"-18,
29	129079A2	1	SUPPORT,
30	409-7512	3	BOLT, Hex Flg, 5/16"-18 x 3/4", Serr,
31	231-5145	3	NUT, Flg, USR, 5/16"-18,
32	129080A3	1	LADDER, Inc. 32A
32A	1531337C1	2	STEP,
33	275-14712	4	SCREW, SELF TAPPING, Hex Hd, 1/4" x 3/4",
34	D80270	8	STRIP, Non-Slip, 635 mm (25 in) x 51 mm (2 in), (Not Shown)



09E-07 UNLOADER, BELT DRIVE

Ref	Part Number	Qty	Description
1	87318425	1	GUIDE,
2	409-7516	2	BOLT, Hex Flg, 5/16"-18 x 1", Serr,
3	231-5145	2	NUT, Flg, USR, 5/16"-18,
4	409-7616	4	BOLT, Hex Flg, 3/8"-16 x 1", Serr,
5	231-5146	8	NUT, Flg, USR, 3/8"-16,
6	192870C2	1	SUPPORT,
7	409-7620	4	BOLT, Hex Flg, 3/8"-16 x 1 1/4", Serr,
8	126540A1	1	SUPPORT, Center
9	87421474	1	SUPPORT, Upper
10	87574298	1	SUPPORT ASSY.,
11	413-516	1	BOLT, Hex, 5/16"-18 x 1", G5, Full Thd,
12	231-5345	1	NUT, LOCK, Flg, 5/16"-18,
13	1347352C1	1	SHAFT,
14	495-81202	1	WASHER, 1 9/32" x 1 3/4" x .060",
15	586879R1	1	KEY, 5/16 x 2
16	663887R91	1	PULLEY, Drive
17	413-1060	1	BOLT, Hex, 5/8"-11 x 3 3/4", G5,
18	425-1010	1	NUT, 5/8"-11, G5,
19	492-11062	1	WASHER, LOCK, 5/8",
20	496-21066	2	WASHER, 21/32" x 1 5/16" x .150",
21	1989217C1	1	BELT,
22	1994762C2	1	PULLEY, Driven
23	485-13116	2	SET SCREW, Sq Hd, 5/16"-18 x 1",
24	425-145	2	NUT, Jam, 5/16"-18, G5,
25	122948A1	1	PULLEY, Drive, Auxiliary Pump, See Figure 08-08, REF 14
31	443919A2	1	SUPPORT, Upper, Belt Trap
32	409-7616	2	BOLT, Hex Flg, 3/8"-16 x 1", Serr,
33	231-5146	2	NUT, Flg, USR, 3/8"-16,
44	87574299	1	ROD,
45	432-812	4	PIN, SPLIT (COTTER), 1/8" x 3/4",
46	495-11034	4	WASHER, 5/16", SAE,
47	1324456C1	1	SUPPORT, Arm
48	495-81039	2	WASHER, 25/32" x 1 1/4" x .120",
49	432-1620	1	PIN, SPLIT (COTTER), 1/4" x 1 1/4",
50	112008A1	1	ARM, Inc. 51
51	382638R2	2	BUSHING, 3/4 ID x 7/8 OD x 3/4
53	219-87	1	NIPPLE, LUBE, 1/4"-28 x .56" lg, Self-Tap,
55	86620026	4	FLANGE,
56	409-7612	6	BOLT, Hex Flg, 3/8"-16 x 3/4", Serr,
57	565672R92	2	BEARING, BALL,
58	87431214	2	COLLAR,
59	231-5146	6	NUT, Flg, USR, 3/8"-16,
60	194894C1	1	ROD,

09E-07 UNLOADER, BELT DRIVE

Ref	Part Number	Qty	Description
61	87035448	1	SPACER, 1/2" Tube x 1/2",
62	495-81116	2	WASHER, .344" x 1" x .060",
63	439-1548	2	PIN, HEADED, 5/16" x 3",

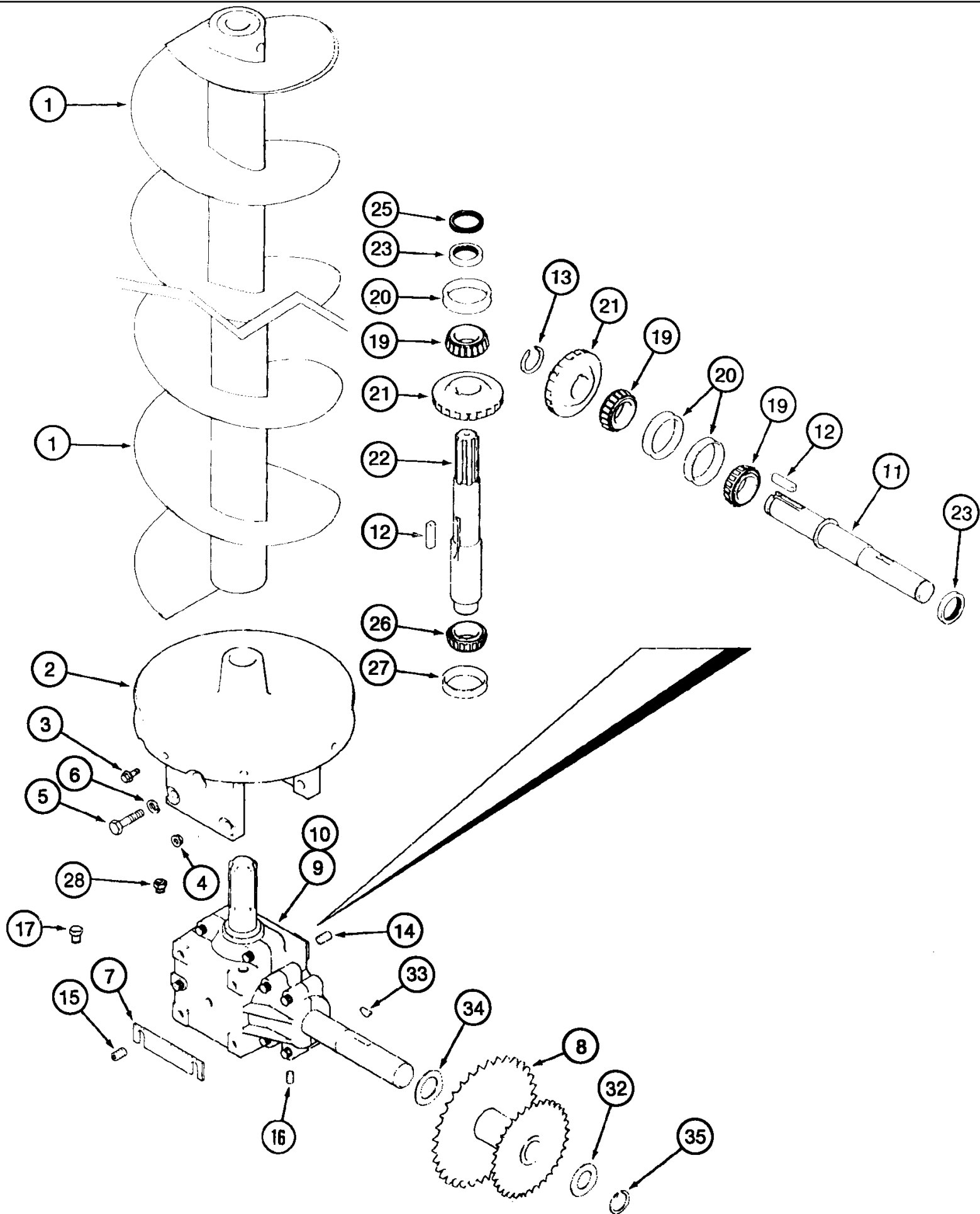
09E-08 UNLOADER, CHAIN DRIVE

Ref	Part Number	Qty	Description
1	1327731C1	AR	WASHER, THRUST, 1-13/32 x 2-1/4 x 1/8
1A	188354C1	1	WASHER, 1-13/32 x 2-1/4 x 1/8
2	A21619	1	CIRCLIP,
3	87525821	1	SPROCKET, 43T/25T
4	126-133	1	KEY, WOODRUFF, #D, 5/16" x 1 1/4", HT,
5	87525828	1	SPROCKET, 28T
6	Q53	2	KEY, 1/4" Sq x 1", Par,
7	495-81069	AR	WASHER, 1 1/32" x 1 1/2" x .060",
8	495-81070	AR	WASHER, 1 1/32" x 1 1/2" x .120",
10	87525825	1	SPROCKET, Drive, Inc. 11
11	1347384C1	1	BEARING,
12	242628A1	2	BOLT, SHEAR, 5/16 x 1-1/4
13	231-1445	4	NUT, LOCK, 5/16"-18, GB,
14	126-147	1	KEY, WOODRUFF, #28, 5/16" x 2 1/8", HT,
15	432-1624	2	PIN, SPLIT (COTTER), 1/4" x 1 1/2",
16	86620026	2	FLANGE,
17	409-7612	3	BOLT, Hex Flg, 3/8"-16 x 3/4", Serr,
17A	231-5146	3	NUT, Flg, USR, 3/8"-16,
18	87525831	1	SPROCKET, 33T, Driven
19	1347399C1	1	HUB,
20	565672R92	1	BEARING, BALL,
21	87431214	1	COLLAR,
22	86627870	1	SPROCKET, DRIVEN, Idler, 15 Tooth #60
23	433-840	1	BOLT, CARRIAGE, Short NK, 1/2"-13 x 2 1/2", G5,
24	425-108	1	NUT, 1/2"-13, G5,
25	80679	1	WASHER, LOCK, 1/2",
26	498-81005	3	WASHER, 17/32" x 1" x .060", Sq Hole,
27	496-21053	3	WASHER, 17/32" x 1 1/16" x .134",
27A	495-81024	1	WASHER, 17/32" x 1 1/4" x .060",
28	485-13116	2	SET SCREW, Sq Hd, 5/16"-18 x 1",
29	425-145	2	NUT, Jam, 5/16"-18, G5,
30	409-7512	4	BOLT, Hex Flg, 5/16"-18 x 3/4", Serr,
31	477-73108	3	SCREW, Sltd Serr Truss Hd, 5/16"-18 x 1/2",
32	231-5145	5	NUT, Flg, USR, 5/16"-18,
33	87529284	1	SUPPORT ASSY., Outer
34	282145A1	1	BOLT, SPECIAL,
35	495-21050	2	WASHER, 7/16",
36	231-5148	1	NUT, Flg, USR, 1/2"-13,
37	409-7612	4	BOLT, Hex Flg, 3/8"-16 x 3/4", Serr,
38	231-5146	4	NUT, Flg, USR, 3/8"-16,
40	87529286	1	SUPPORT ASSY.,
41	409-7512	5	BOLT, Hex Flg, 5/16"-18 x 3/4", Serr,
42	231-5145	5	NUT, Flg, USR, 5/16"-18,

09E-08 UNLOADER, CHAIN DRIVE

Ref	Part Number	Qty	Description
46	434-832	1	BOLT, CARRIAGE, Short NK, 1/2"-13 x 2", G5, Full Thd,
47	80679	1	WASHER, LOCK, 1/2",
48	425-108	1	NUT, 1/2"-13, G5,
54	87529598	1	CHAIN (AGRICULTURE), #50
55	87529597	1	CHAIN (AGRICULTURE), #60
56	496-21053	2	WASHER, 17/32" x 1 1/16" x .134",
57	87302107	1	SPROCKET, Idler #50
58	140181A3	1	SHIELD,
60	3102155R1	1	HOLDER,
61	242628A1	6	BOLT, SHEAR, 5/16 x 1-1/4
62	231-1445	6	NUT, LOCK, 5/16"-18, GB,

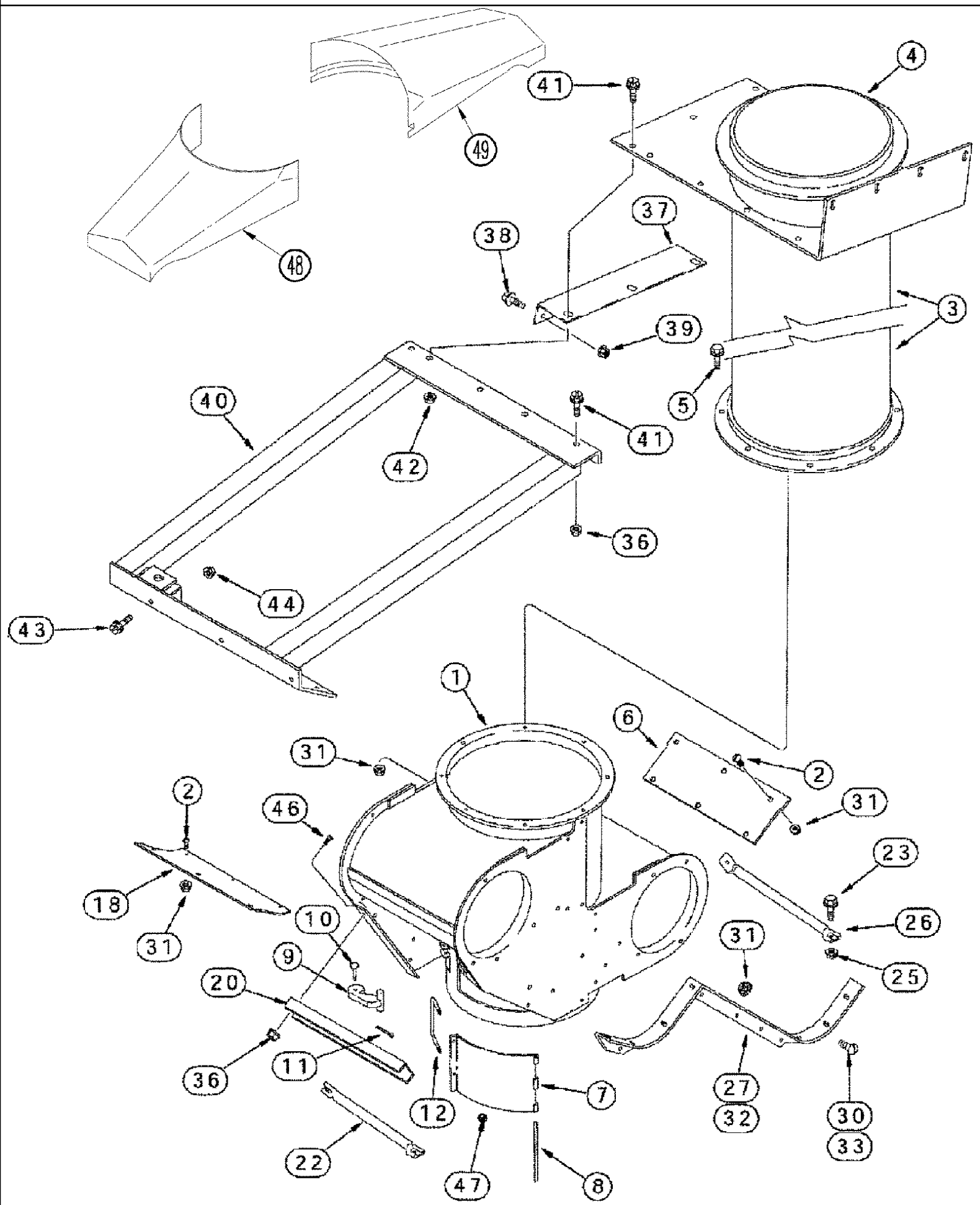
09E-09 AUGER, UNLOADER - GRAIN TANK, LOWER



09E-09 AUGER, UNLOADER - GRAIN TANK, LOWER

Ref	Part Number	Qty	Description
1	87325666	1	AUGER, Vertical, Unloader
2	1347177C1	1	SUPPORT,
3	409-7616	7	BOLT, Hex Flg, 3/8"-16 x 1", Serr,
3	409-7620	2	BOLT, Hex Flg, 3/8"-16 x 1 1/4", Serr,
4	231-5146	9	NUT, Flg, USR, 3/8"-16,
5	413-824	6	BOLT, Hex, 1/2"-13 x 1 1/2", G5, Full Thd,
6	80679	6	WASHER, LOCK, 1/2",
7	1347337C1	AR	SHIM,
8	87525820	1	
9	1347336C2	1	GEARBOX, Inc. 10 - 28
10	NSS	1	NOT SERVICED SEPARATELY, Housing
11	1989462C1	1	SHAFT, 1-1/2 OD
12	1989564C1	2	KEY, 3/8
13	1989563C1	1	RING, SNAP, Ring, Retaining
14	217-439	1	PLUG, Hex Soc, 1/2"-14,
15	221-667	1	PLUG, DRAIN, Hex Soc, 1/2" NPT,
16	221-671	1	PLUG, DRAIN, Hex Soc, 1/4" NPT,
17	436993A1	1	CAP, Rubber
19	779103R91	3	BEARING, CONE,
20	518819R1	3	BEARING, CUP,
21	1989464C1	2	PINION,
22	1989463C1	1	SHAFT, 1-3/8 OD
23	1989581C1	2	SEAL,
24	61-33836	1	SCREW, Hex Soc Hd, 3/8"-16 x 2 1/4", (Not Shown)
25	1347432C2	1	SEAL,
26	20879D	1	BEARING, CONE,
27	ST991	1	BEARING, CUP,
28	219-431	1	NIPPLE, LUBE, 1/8"-27 NPT x .50" lg, Press Relief, 7-1/2 to 15 psi
32	1327731C1	7	WASHER, THRUST, 1-13/32 x 2-1/4 x 1/8
33	126-133	1	KEY, WOODRUFF, #D, 5/16" x 1 1/4", HT,
34	188354C1	3	WASHER, 1-13/32 x 2-1/4 x 1/8
35	A21619	1	CIRCLIP,
36	353-404	2	PLUG, Dome, .500" hole, Nylon, Not Shown

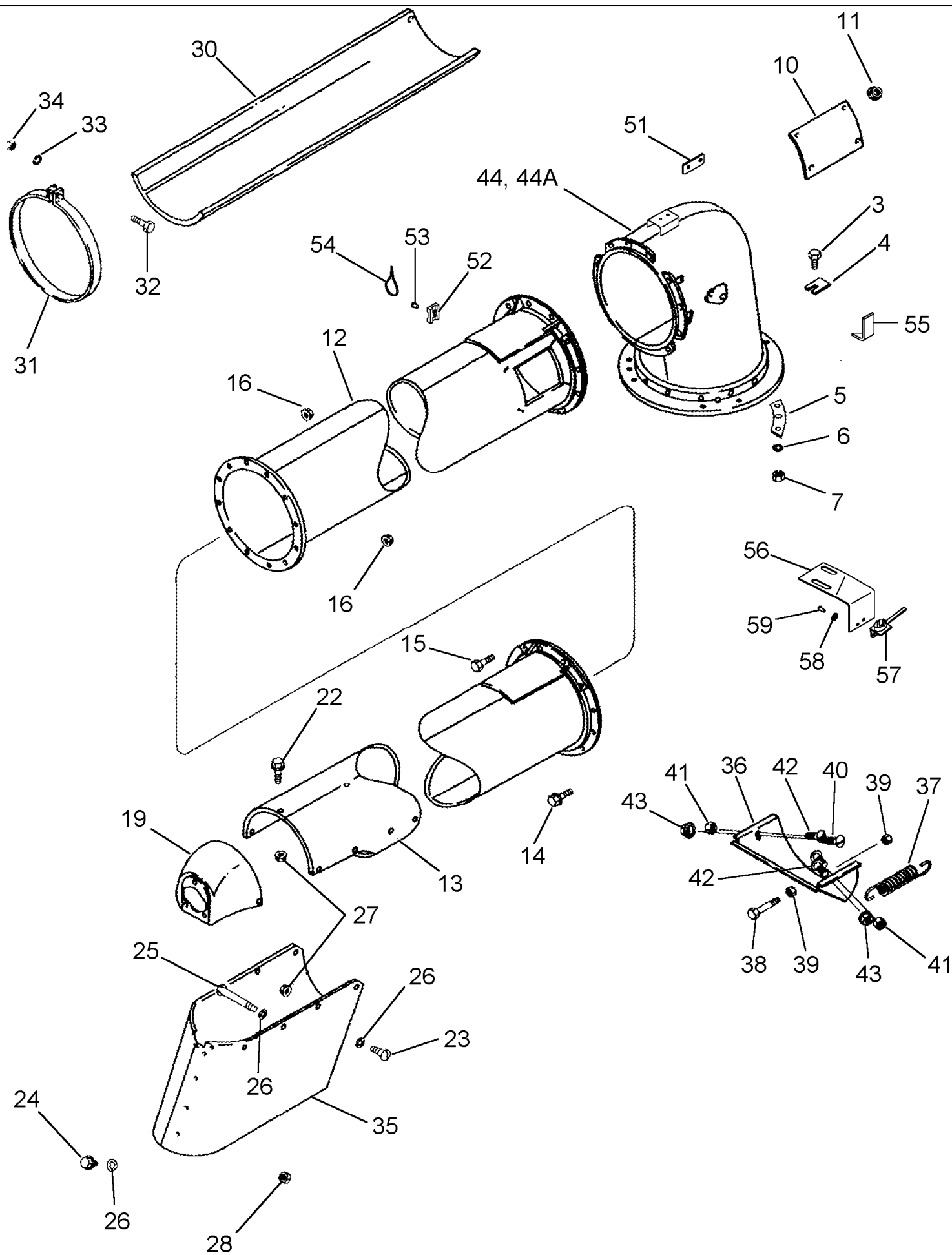
09E-10 UNLOADER HOUSING - GRAIN TANK, LOWER



09E-10 UNLOADER HOUSING - GRAIN TANK, LOWER

Ref	Part Number	Qty	Description
1	192475C3	1	HOUSING,
2	477-73108	28	SCREW, Sltd Serr Truss Hd, 5/16"-18 x 1/2",
3	87593313	1	TUBE, Inc. 4, 4A
4	87608683	1	ELBOW-CONNECTION,
4A	49-516	23	RIVET, Tr Hd, 5/16" x 1", (Not Shown)
5	409-7512	8	BOLT, Hex Flg, 5/16"-18 x 3/4", Serr,
6	191087C1	1	PLATE, Front
7	189284A1	1	DOOR, Inc. Decal 144386A1, See Figure 09H-19, REF 8
8	393069R1	1	PIN,
9	155909C1	1	LATCH,
10	439-1420	1	PIN, HEADED, 1/4" x 1 1/4",
11	432-812	1	PIN, SPLIT (COTTER), 1/8" x 3/4",
12	195332C1	1	U-BOLT,
18	191110C1	1	SUPPORT, Rear
20	192834C1	1	CHANNEL,
22	191112C2	1	ROD,
23	409-7624	2	BOLT, Hex Flg, 3/8"-16 x 1 1/2", Serr,
25	231-5146	2	NUT, Flg, USR, 3/8"-16,
26	191111C3	1	ROD,
27	192828C1	1	SUPPORT, Left Hand
30	477-73108	20	SCREW, Sltd Serr Truss Hd, 5/16"-18 x 1/2",
31	231-5145	58	NUT, Flg, USR, 5/16"-18,
32	192829C1	1	SUPPORT, Right Hand
33	477-73112	2	BOLT, Slotted Tr Hd, 5/16"-18 x 3/4",
36	231-5146	9	NUT, Flg, USR, 3/8"-16,
37	1338393C2	1	ANGLE,
38	450-73816	3	SCREW, CrossSerr Truss Hd, 3/8"-16 x 1",
39	231-5146	3	NUT, Flg, USR, 3/8"-16,
40	87525898	1	SUPPORT,
41	409-7612	10	BOLT, Hex Flg, 3/8"-16 x 3/4", Serr,
42	231-5146	10	NUT, Flg, USR, 3/8"-16,
43	477-73116	6	SCREW, Sltd Serr Truss Hd, 5/16"-18 x 1",
43	281-14816	1	SCREW, SELF TAPPING, Hex Wash Hd, 5/16" x 1",
44	231-5145	7	NUT, Flg, USR, 5/16"-18,
46	477-73812	2	SCREW, Sltd Serr Truss Hd, 3/8" x 3/4",
47	231-1444	2	NUT, LOCK, 1/4"-20, GB,
48	434785A1	1	INSERT, Unloader Sump, Front
49	434786A1	1	INSERT, Unloader Sump, Rear
50	192269A1	2	FOAM, Seal, 500 mm (19-3/4 in), (Not Shown)

09E-11 UNLOADER - TUBE, UPPER



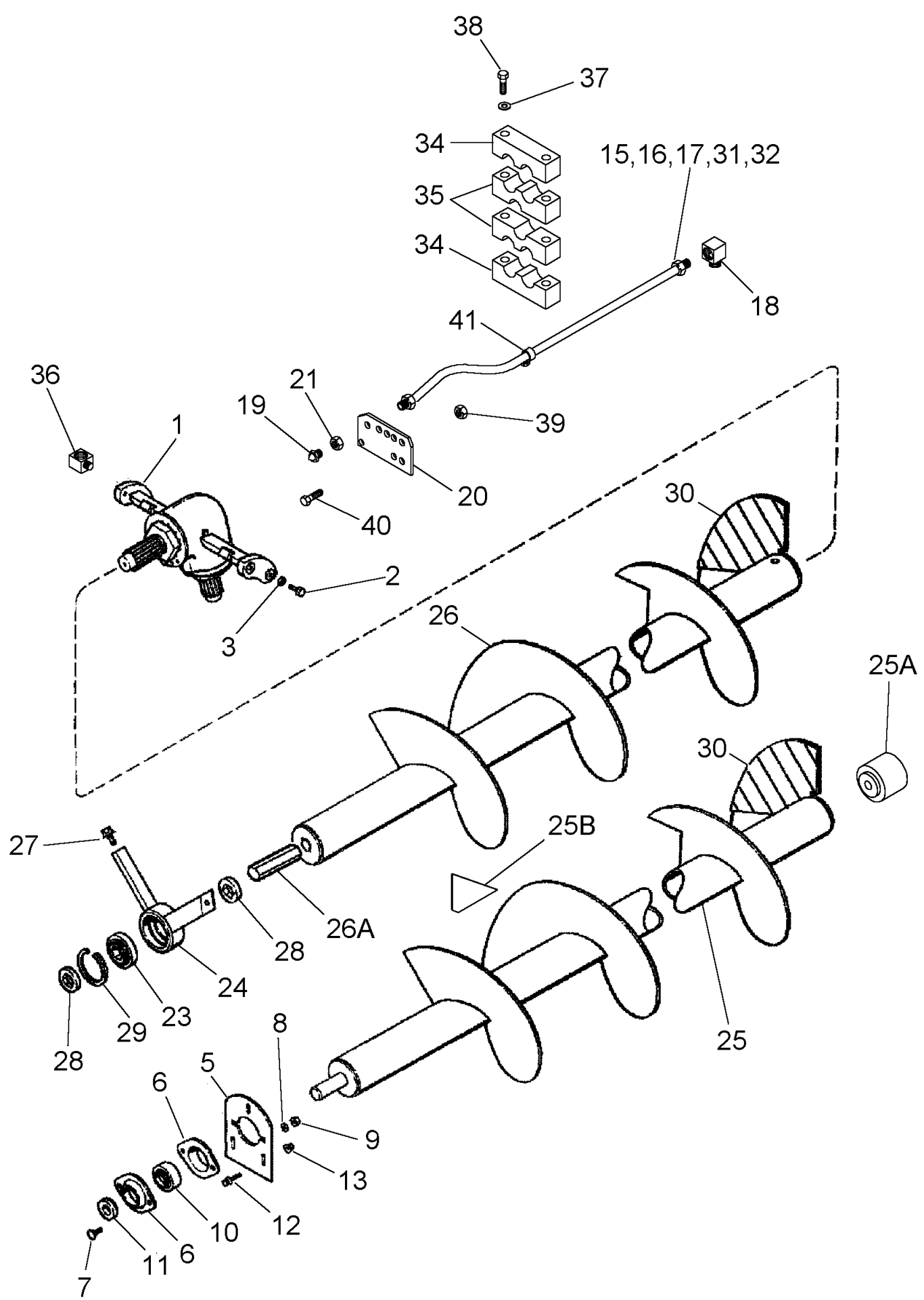
09E-11 UNLOADER - TUBE, UPPER

Ref	Part Number	Qty	Description
3	413-628	6	BOLT, Hex, 3/8"-16 x 1 3/4", G5,
4	151670C1	AR	PLATE, LOCKING, 0.036 in
5	87593300	1	BAR,
6	492-11038	6	WASHER, LOCK, 3/8",
7	425-106	6	NUT, 3/8"-16, G5,
10	178158C1	1	PLATE,
11	231-5145	4	NUT, Flg, USR, 5/16"-18,
12	87557135	1	TUBE, Solid, Front, 5.5 m and 6.4 m Unloader, Inc. 12A
12	87557138	1	TUBE, Perforated, Front, 5.5 m, Inc 12A
13	87581654	1	TUBE ASSY., 6.4 m, Unloader, Rear
13	87581650	1	TUBE ASSY., 5.5 m, Unloader, Rear
14	409-7612	6	BOLT, Hex Flg, 3/8"-16 x 3/4", Serr,
15	409-7624	6	BOLT, Hex Flg, 3/8"-16 x 1 1/2", Serr,
16	231-5146	12	NUT, Flg, USR, 3/8"-16,
19	182837C2	1	CAP, Support
22	405-7512	3	
23	477-73112	4-6	BOLT, Slotted Tr Hd, 5/16"-18 x 3/4",
24	409-7516	7	BOLT, Hex Flg, 5/16"-18 x 1", Serr,
25	477-73120	6	SCREW, Sltd Serr Truss Hd, 5/16"-18 x 1 1/4",
26	495-81121	22	WASHER, .344" x 1 1/2" x .060",
27	231-5145	23	NUT, Flg, USR, 5/16"-18,
28	231-4115	4	NUT, LOCK, 5/16"-18, GB,
30	178165C2	1	COVER, Perforated
31	178166C1	4	CLAMP, Perforated
32	185856C1	4	SCREW, 5/16 x 2
33	492-11031	4	WASHER, LOCK, 5/16",
34	425-105	4	NUT, 5/16"-18, G5,
35	113488A1	1	SPOUT, Down
36	115867A1	1	DOOR, Grain Saver
37	1338869C2	2	SPRING,
38	113-250	1	BOLT, Hex, 3/8"-16 x 2 1/2", G5, Full Thd,
39	231-5146	2	NUT, Flg, USR, 3/8"-16,
40	477-82516	2	SCREW, Sltd Serr Truss Hd, 1/4"-20 x 1",
41	425-104	4	NUT, 1/4"-20, G5,
42	477-73116	2	SCREW, Sltd Serr Truss Hd, 5/16"-18 x 1",
43	231-5145	2	NUT, Flg, USR, 5/16"-18,
44	87598258	1	ELBOW-CONNECTION, Inc. 45 - 47, Standard Wear
44A	87598255	1	ELBOW-CONNECTION, Inc. 45 - 47, Extended Wear
45	87598260	1	ELBOW-CONNECTION,
46	49-516	20	RIVET, Tr Hd, 5/16" x 1", (Not Shown)
47	275-14712	3	SCREW, SELF TAPPING, Hex Hd, 1/4" x 3/4", (Not Shown)
48	8659043	3	(Not Shown)
49	445395	3	RIVET, Pop, M4.8 x 18.1, (Not Shown)

09E-11 UNLOADER - TUBE, UPPER

Ref	Part Number	Qty	Description
50	289862C1	7	STRAP, CABLE, 3/16" x 7", (Not Shown)
51	87577375	1	BRACKET, Lube Line
52	86590413	1	CLAMP,
53	445395	1	RIVET, Pop, M4.8 x 18.1,
54	289862C1	1	STRAP, CABLE, 3/16" x 7",
55	1338004C2	1	BRACKET, Unloader Limit Switch
56	1338003C1	1	BRACKET, Limit
57	537641R2	1	SWITCH,
58	493-81000	2	WASHER, LOCK, Ext-Int Tooth, #10,
59	490-1108	2	SCREW, Cross Pan Hd, #10-32 x 1/2",

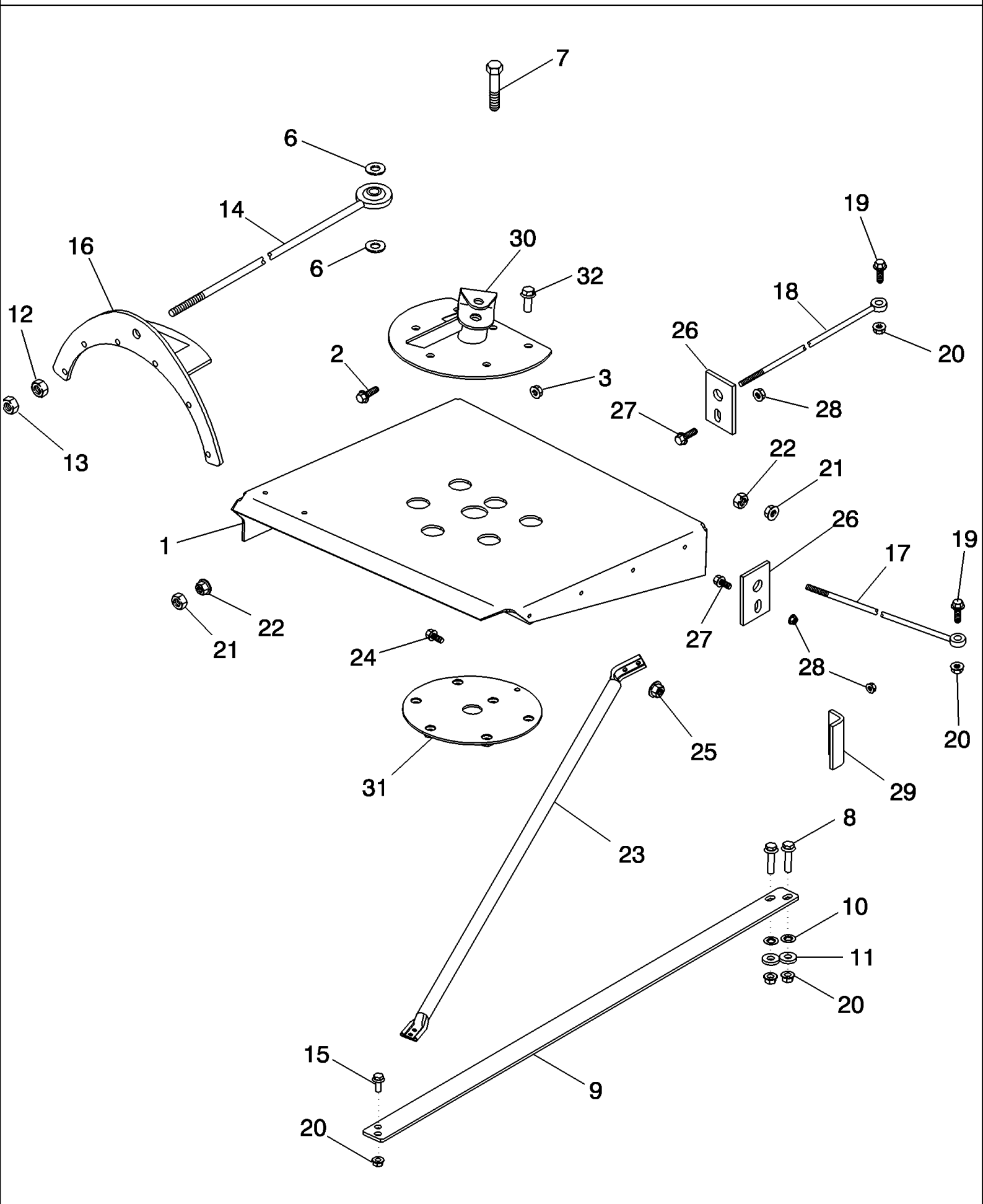
09E-12 UNLOADER - AUGER, UPPER



09E-12 UNLOADER - AUGER, UPPER

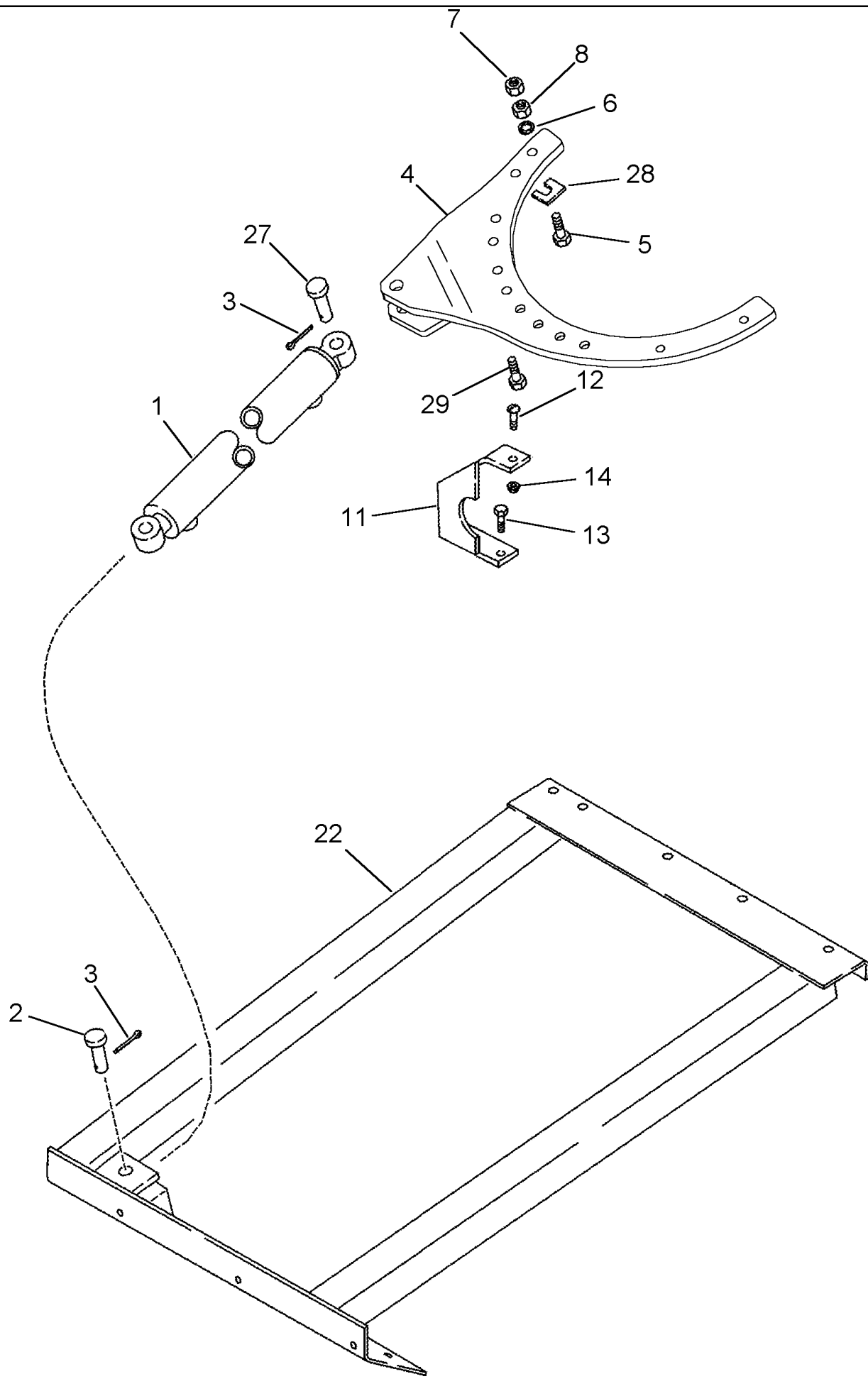
Ref	Part Number	Qty	Description
1	1347351C2	1	HOUSING, , See Figure 09E-16
2	426-612	4	BOLT, Hex, 3/8"-16 x 3/4", G8, Full Thd,
3	492-11038	4	WASHER, LOCK, 3/8",
5	182838C1	1	SUPPORT,
6	50591	2	FLANGE,
7	434-512	2	BOLT, CARRIAGE, Short NK, 5/16"-18 x 3/4", G5, Full Thd,
8	492-11031	2	WASHER, LOCK, 5/16",
9	425-105	2	NUT, 5/16"-18, G5,
10	160796C91	1	BEARING, BALL,
11	87315151	1	COLLAR,
12	409-7516	3	BOLT, Hex Flg, 5/16"-18 x 1", Serr,
13	231-5145	3	NUT, Flg, USR, 5/16"-18,
15	1339004C1	2	HOSE, Grease, 1778 mm (70 in)
16	430376A1	1	HOSE, Grease, 1935 mm (76 in)
17	428284A1	1	HOSE, Grease, 1720 mm (68 in)
18	219-438	2	ADAPTER, 45e, 1/4"-1/8 NPTF,
19	219-8	5	NIPPLE, LUBE, 1/4"-28 NPT x .54" lg,
20	418495A1	1	BRACKET, Lube Bank
21	F53473	5	NUT, 1/8 PT
23	203389C91	1	BEARING, BALL,
24	1317859C1	1	SUPPORT,
25	87557246	1	AUGER, Rear Split, 5.5 m Unloader, Inc. 25A, 25B
25	87379141	1	AUGER, Rear Split, 6.4 m Unloader, Inc. 25A, 25B
25A	198994A1	1	HUB, End
25B	220336A1	1	STIFFENER,
26	87556898	1	AUGER, Front Split, 5.5 m and 6.4 m Unloader
26A	220040A2	1	SHAFT, 152 mm (6 in)
27	409-7512	2	BOLT, Hex Flg, 5/16"-18 x 3/4", Serr,
28	1277949C1	4	SPACER,
29	360936R1	1	RING,
30	182587A1	AR	KIT, Unloader Auger Reinforcements
31	428294A1	1	HOSE, Grease, 1925 mm (76 in)
32	1345098C1	1	HOSE, Grease, 1524 mm (60 in)
34	429629A1	2	CLAMP,
35	419590A1	2	CLAMP,
36	219-439	3	ADAPTER, 90e, 1/4"-1/8 NPTF,
37	495-11028	2	WASHER, 1/4", SAE,
38	280566	2	BOLT, Hex, 1/4"-20 x 2 3/4", G5,
39	231-5145	6	NUT, Flg, USR, 5/16"-18,
39	231-5146	12	NUT, Flg, USR, 3/8"-16,
40	477-73112	2	BOLT, Slotted Tr Hd, 5/16"-18 x 3/4",
41	515-23412	1	CLAMP, 1 5/8", Insul, 3/8" Bolt,

09E-13 UNLOADER - SUPPORTS



09E-13 UNLOADER - SUPPORTS

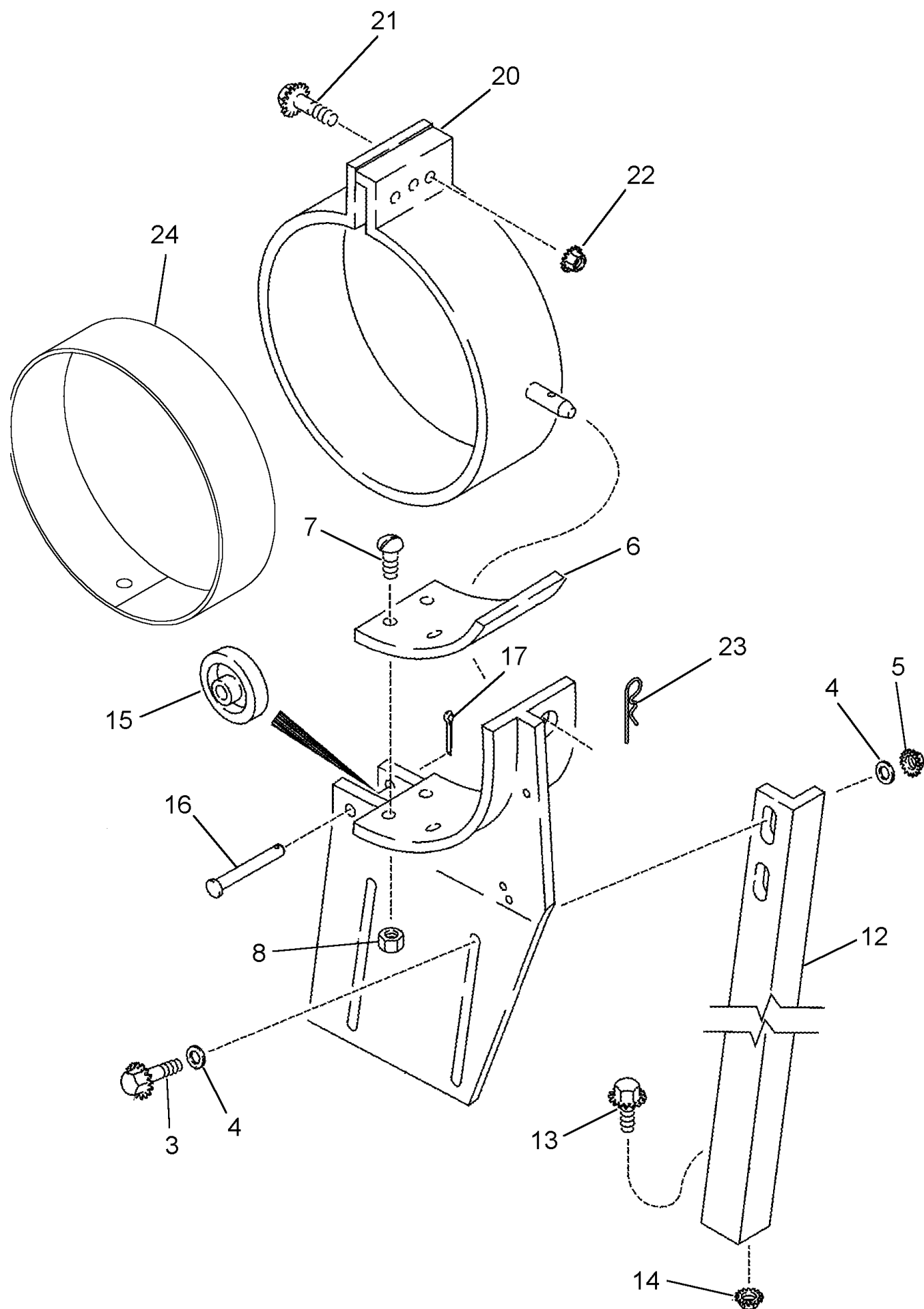
Ref	Part Number	Qty	Description
1	87548040	1	SUPPORT,
2	409-7616	8	BOLT, Hex Flg, 3/8"-16 x 1", Serr,
2	409-7516	1	BOLT, Hex Flg, 5/16"-18 x 1", Serr,
3	231-5146	8	NUT, Flg, USR, 3/8"-16,
3	231-5145	1	NUT, Flg, USR, 5/16"-18,
6	495-81175	2	WASHER, 21/32" x 1" x .120",
7	413-1048	1	BOLT, Hex, 5/8"-11 x 3", G5,
8	409-7624	2	BOLT, Hex Flg, 3/8"-16 x 1 1/2", Serr,
9	87597306	1	STRAP, Rear Right Hand Unloader Tie Rod Anchor
10	131-415	2	NUT, LOCK, Push, Bolt Retainer, 3/8" x 25/32",
11	495-81138	2	WASHER, 13/32" x 1" x .179",
12	554480R1	1	NUT, 5/8 NF
13	425-1110	1	NUT, 5/8"-18, G5,
14	87557240	1	ROD ASSY., Unloader Tube
15	409-7612	2	BOLT, Hex Flg, 3/8"-16 x 3/4", Serr,
16	87580899	1	SUPPORT,
17	193625C1	2	ROD,
18	1979494C1	1	ROD,
19	409-7620	3	BOLT, Hex Flg, 3/8"-16 x 1 1/4", Serr,
20	231-5146	7	NUT, Flg, USR, 3/8"-16,
21	425-108	3	NUT, 1/2"-13, G5,
22	231-5148	3	NUT, Flg, USR, 1/2"-13,
23	1338378C1	1	ROD,
24	409-7620	4	BOLT, Hex Flg, 3/8"-16 x 1 1/4", Serr,
25	231-5146	4	NUT, Flg, USR, 3/8"-16,
26	186691C1	3	PLATE,
27	409-7512	4	BOLT, Hex Flg, 5/16"-18 x 3/4", Serr,
28	231-5145	4	NUT, Flg, USR, 5/16"-18,
29	186690C1	1	BRACKET,
30	87580904	1	SUPPORT ASSY., Tensioner
31	87529528	1	PLATE ASSY., Tensioner Bolting Ring
32	409-7820	6	BOLT, Hex Flg, 1/2"-13 x 1 1/4", Serr,



09E-14 UNLOADER - SUPPORTS, SWING CYLINDER

Ref	Part Number	Qty	Description
1	87597336	1	CYLINDER ASSY., Unloader Swing, See Figure 08-32, REF 16
2	427-10225	1	PIN, CLEVIS, 5/8" x 1 1/4",
3	432-816	2	PIN, SPLIT (COTTER), 1/8" x 1",
4	87593302	1	ARM ASSY.,
5	426-732	6	BOLT, Hex, 7/16"-14 x 2", G8,
6	492-11044	6	WASHER, LOCK, 7/16",
7	429-107	6	NUT, 7/16"-14, G8,
8	425-147	6	NUT, Jam, 7/16"-14, G5,
11	87539326	2	SUPPORT ASSY.,
12	477-73820	1	SCREW, Slt'd Serr Truss Hd, 3/8"-16 x 1 1/4",
13	409-7616	2	BOLT, Hex Flg, 3/8"-16 x 1", Serr,
14	231-5146	3	NUT, Flg, USR, 3/8"-16,
22	87525898	1	SUPPORT,
27	427-10225	1	PIN, CLEVIS, 5/8" x 1 1/4",
28	151670C1	AR	PLATE, LOCKING, 0.036 in
29	87593248	4	SCREW,

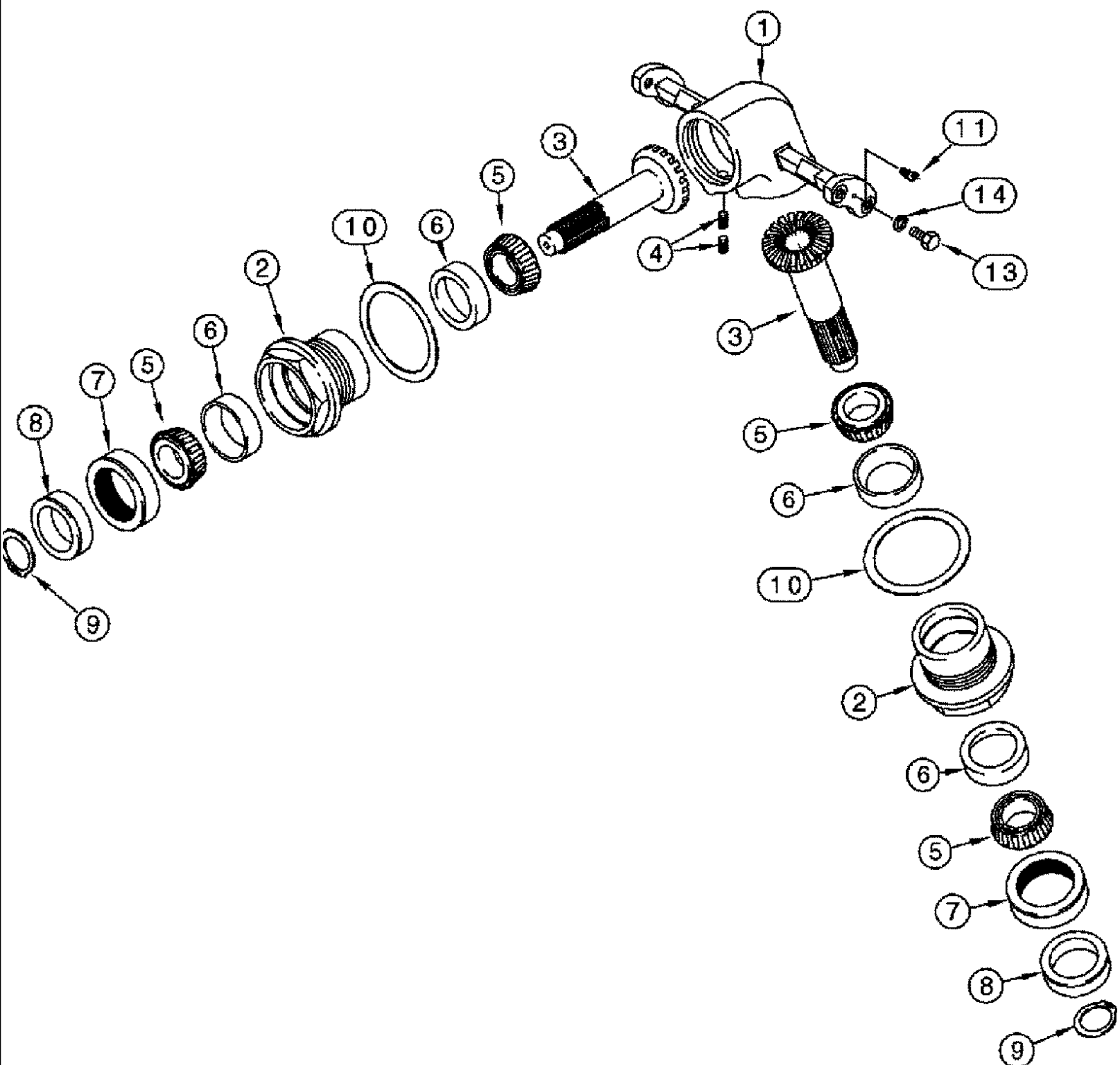
09E-15 UNLOADER - TUBE SADDLE



09E-15 UNLOADER - TUBE SADDLE

Ref	Part Number	Qty	Description
1	1321500C2	1	STIRRUP,
3	409-7620	4	BOLT, Hex Flg, 3/8"-16 x 1 1/4", Serr,
4	495-81143	8	WASHER, 13/32" x 1 1/2" x .120",
5	231-5146	4	NUT, Flg, USR, 3/8"-16,
6	1321498C1	1	PAD,
7	477-82512	6	SCREW, Sltd Serr Truss Hd, 1/4"-20 x 3/4",
8	231-4144	6	NUT, LOCK, 1/4"-20, GB,
12	1319221C1	1	SUPPORT,
13	409-7512	1	BOLT, Hex Flg, 5/16"-18 x 3/4", Serr,
14	231-5145	1	NUT, Flg, USR, 5/16"-18,
15	1321499C1	1	ROLLER,
16	439-5436	1	PIN, HEADED, 1/4" x 2 1/4", G5,
17	432-812	1	PIN, SPLIT (COTTER), 1/8" x 3/4",
20	87558212	1	CLAMP,
21	409-7520	3	BOLT, Hex Flg, 5/16"-18 x 1 1/4", Serr,
22	231-5145	3	NUT, Flg, USR, 5/16"-18,
23	480523R1	1	SPLIT PIN/SAFETY PIN,
24	87315282	1	BAND, Unloader Tube Retainer

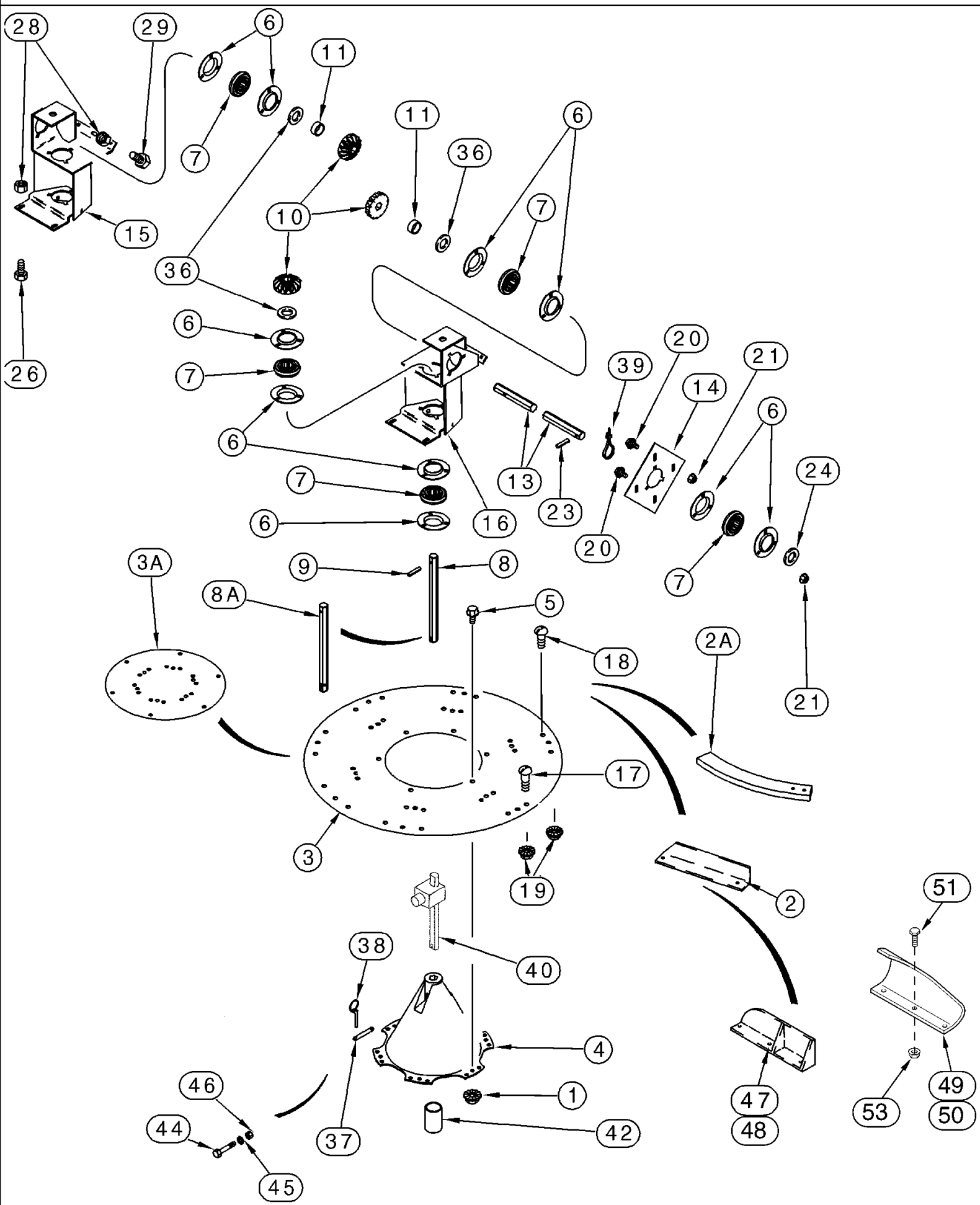
09E-16 UNLOADER - UPPER GEAR HOUSING



09E-16 UNLOADER - UPPER GEAR HOUSING

Ref	Part Number	Qty	Description
	1347351C2	1	HOUSING, Inc. 1 - 10
1	NSS	1	NOT SERVICED SEPARATELY, Housing, Upper Gears
2	NSS	2	NOT SERVICED SEPARATELY, Housing, Gear Bearing
3	1347260C1	2	PINION, 18 T
4	83-1316	4	SET SCREW, Hex Soc, 5/16"-18 x 3/8",
5	651818R91	4	BEARING, CONE,
6	651817R1	4	BEARING, CUP,
7	1347339C1	2	SEAL,
8	1347312C1	2	RETAINER,
9	100-16125	2	RING, SNAP, #125, Ext,
10	1347338C1	AR	SHIM,
11	219-90	1	NIPPLE, LUBE, 45c, 1/4" NPT x .80" lg, Drive,
13	426-612	4	BOLT, Hex, 3/8"-16 x 3/4", G8, Full Thd,
14	492-11038	4	WASHER, LOCK, 3/8",

09F-01 STRAW SPREADER



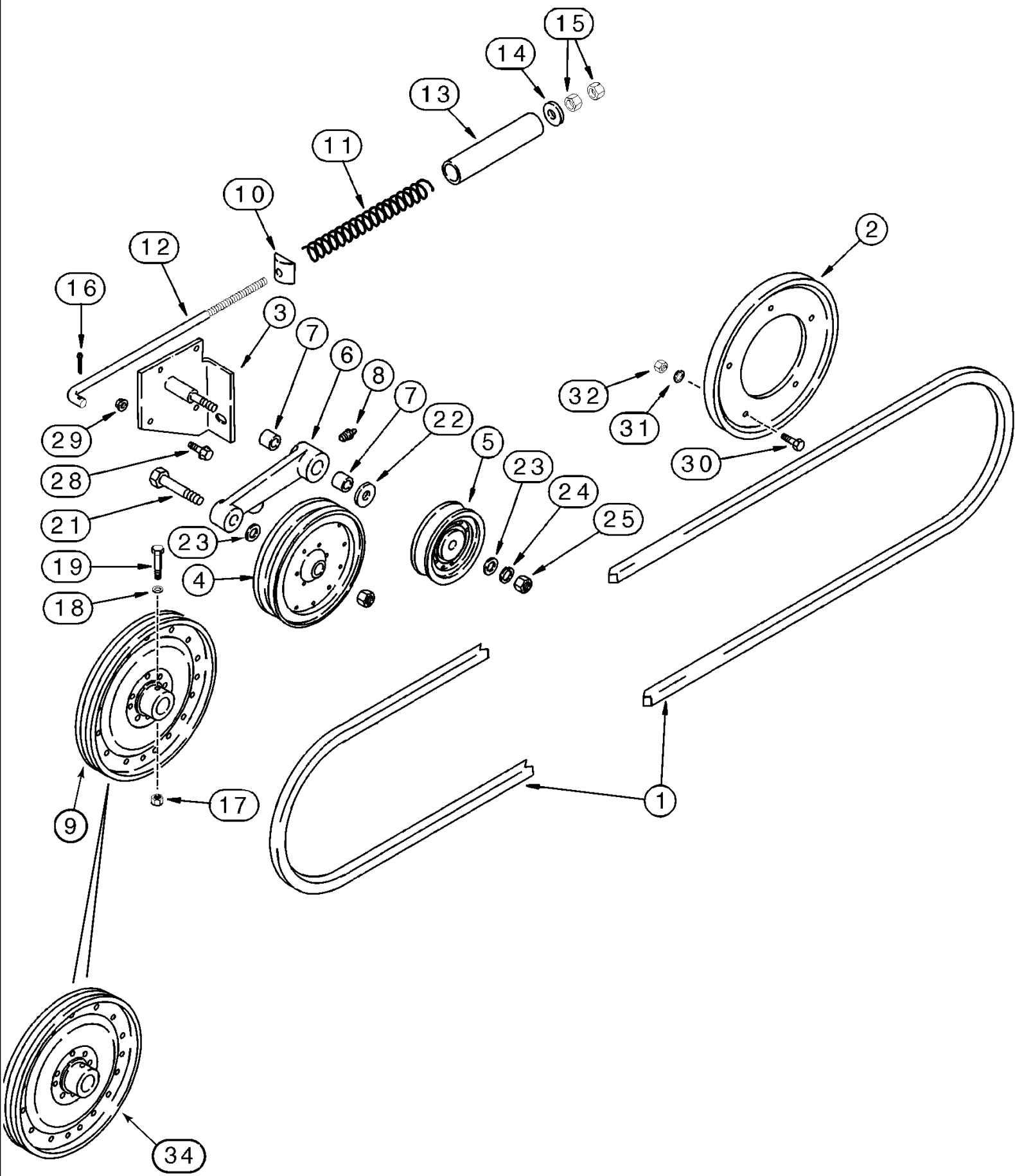
09F-01 STRAW SPREADER

Ref	Part Number	Qty	Description
1	231-5315	24	NUT, LOCK, Flg, 5/16"-18, Used with 2, 2B, 3, 3B
2	103170A2	12	BAT, , With Straw and Chaff Spreader
2A	1302790C1	12	STRIP, Rice, With Straw Chopper
3	140189A1	2	DISC, , With Straw and Chaff Spreader
3A	1302791C1	2	RETAINER, Rice, With Straw Chopper
4	188218C6	2	CONE,
5	409-7520	AR	BOLT, Hex Flg, 5/16"-18 x 1 1/4", Serr, Used with 2A, 3A
5	409-7524	12	BOLT, Hex Flg, 5/16"-18 x 1 1/2", Serr, Used with 2A, 3A
6	86603075	14	FLANGE,
7	195293C91	7	BEARING, BALL,
8	128440A1	2	SHAFT, 12 in, Grain, Rice, With Straw Chopper
8A	109485A1	2	SHAFT, 12 in, With Straw and Chaff Spreader
9	438-11624	2	PIN, LOCK, 1/4" x 1 1/2", Slotted,
10	185410C1	4	GEAR-SET, 14T
11	87036414	2	SPACER, 1 1/4" Tube x 5/8",
13	427270A1	1	SHAFT,
14	186506C1	1	SUPPORT,
15	109487A2	1	SUPPORT, Left Hand
16	109488A2	1	SUPPORT, Right Hand
17	477-73116	6	SCREW, Sltd Serr Truss Hd, 5/16"-18 x 1", Used with 2, 3
18	477-73112	18	BOLT, Slotted Tr Hd, 5/16"-18 x 3/4", Used with 2, 3
19	231-5145	24	NUT, Flg, USR, 5/16"-18, Used with 2, 3
20	409-7512	28	BOLT, Hex Flg, 5/16"-18 x 3/4", Serr,
20	409-7516	1	BOLT, Hex Flg, 5/16"-18 x 1", Serr,
21	231-5145	29	NUT, Flg, USR, 5/16"-18,
23	87040620	1	PIN, LOCK, 3/8" x 1 1/2", Slotted,
24	495-81068	AR	WASHER, 1 1/32" x 1 1/2" x .030",
26	409-7512	4	BOLT, Hex Flg, 5/16"-18 x 3/4", Serr,
28	231-5145	8	NUT, Flg, USR, 5/16"-18,
29	477-73116	4	SCREW, Sltd Serr Truss Hd, 5/16"-18 x 1",
36	495-81069	6	WASHER, 1 1/32" x 1 1/2" x .060",
37	120270A2	2	PIN, , With Straw Chopper
38	A33497	4	PIN, LINCH, , With Straw Chopper
39	289862C1	6	STRAP, CABLE, 3/16" x 7",
40	429194A1	2	COUPLING,
42	432330A1	2	TUBE, Tube, 77 mm (3 in)
43	140432A1	2	BOOT, , With Straw and Chaff Spreader
44	413-640	2	BOLT, Hex, 3/8"-16 x 2 1/2", G5, , With Straw and Chaff Spreader
45	495-11041	4	WASHER, 3/8", SAE, , With Straw and Chaff Spreader
46	231-1446	2	NUT, LOCK, 3/8"-16, GB, , With Straw and Chaff Spreader
47	321372A1	3	BAT, Right Hand, Tall, With Straw and Chaff Spreader
48	321373A1	3	BAT, Left Hand, Tall, Not Illustrated, With Straw and Chaff Spreader
49	87324976	3	BAT, Right Hand, Curved, Service Option Only, Shown, BSN HAJ303491

09F-01 STRAW SPREADER

Ref	Part Number	Qty	Description
49	87726624	3	BAT, Right Hand, Curved, Service Option Only, Shown, ASN HAJ303491
50	87324975	3	BAT, Left Hand, Curved, Service Option Only, (Not Shown), BSN HAJ303491
50	87726623	3	BAT, Left Hand, Curved, Service Option Only, (Not Shown), ASN HAJ303491
51	477-73112	18	BOLT, Slotted Tr Hd, 5/16"-18 x 3/4",
52	477-73812	2	SCREW, Slt'd Serr Truss Hd, 3/8" x 3/4",
53	231-5145	18	NUT, Flg, USR, 5/16"-18,
54	231-5146	2	NUT, Flg, USR, 3/8"-16,
	400505A1	1	KIT, Inc. 49 - 54, Service Option Only

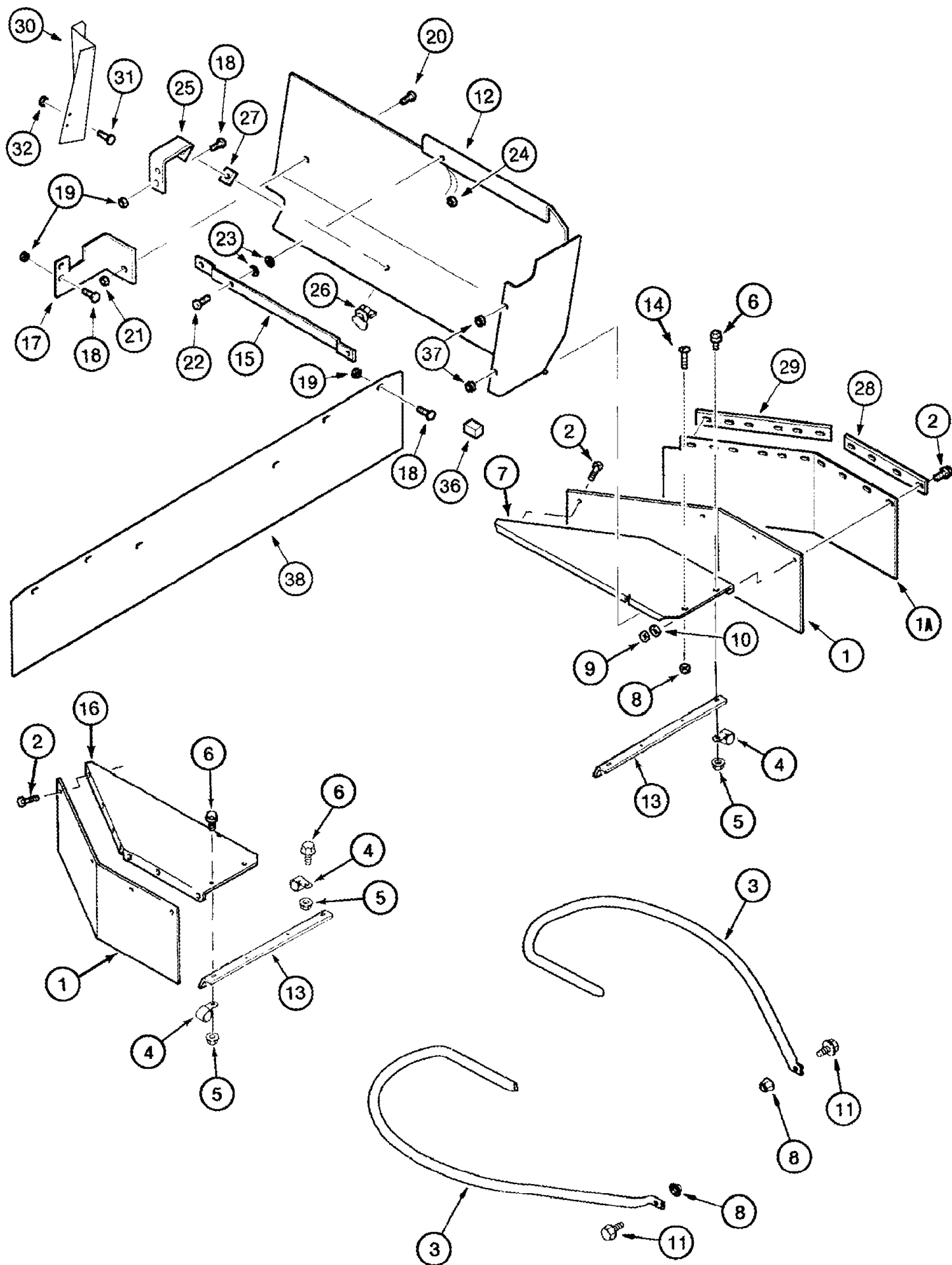
09F-02 STRAW SPREADER - DRIVE



09F-02 STRAW SPREADER - DRIVE

Ref	Part Number	Qty	Description
1	196371C1	1	BELT, 223-1/2
2	566516R92	1	PULLEY, 9-3/4 OD
3	427266A1	1	TIGHTENER, 4-3/8 in
4	1338456C1	1	PULLEY, 6 in OD
5	428848A1	1	PULLEY, 4-3/8 in OD
6	1979591C1	1	LEVER, Inc. 7
7	1979989C1	2	BUSHING,
8	219-87	1	NIPPLE, LUBE, 1/4"-28 x .56" lg, Self-Tap,
9	418093A1	1	PULLEY, 203 mm (8 in) OD
10	194652C1	1	PIVOT,
11	1315223C1	1	SPRING,
12	181152C1	1	ROD,
13	1315197C1	1	SPACER,
14	495-81162	1	WASHER, 17/32" x 1 1/2" x .179",
15	425-108	2	NUT, 1/2"-13, G5,
16	432-816	1	PIN, SPLIT (COTTER), 1/8" x 1",
17	232-4115	1	NUT, LOCK, 5/16"-18, GC,
18	496-21034	1	WASHER, 11/32" x 11/16" x 0.89", HDN,
19	426-536	1	BOLT, Hex, 5/16"-18 x 2 1/4", G8,
21	413-848	1	BOLT, Hex, 1/2"-13 x 3", G5,
22	495-11081	2	WASHER, 3/4", SAE, If Used
23	496-11053	2	WASHER, 17/32" x 1 1/16" x .095", HDN, If Used
23	496-21053	1	WASHER, 17/32" x 1 1/16" x .134",
24	80679	2	WASHER, LOCK, 1/2",
25	425-108	2	NUT, 1/2"-13, G5,
28	409-7512	3	BOLT, Hex Flg, 5/16"-18 x 3/4", Serr,
29	231-5145	3	NUT, Flg, USR, 5/16"-18,
30	413-516	5	BOLT, Hex, 5/16"-18 x 1", G5, Full Thd,
31	492-11031	5	WASHER, LOCK, 5/16",
32	425-105	5	NUT, 5/16"-18, G5,
33	232-5318	1	NUT, LOCK, Flg, 1/2"-13,
34	418092A1	1	PULLEY, 254 mm (10 in) OD

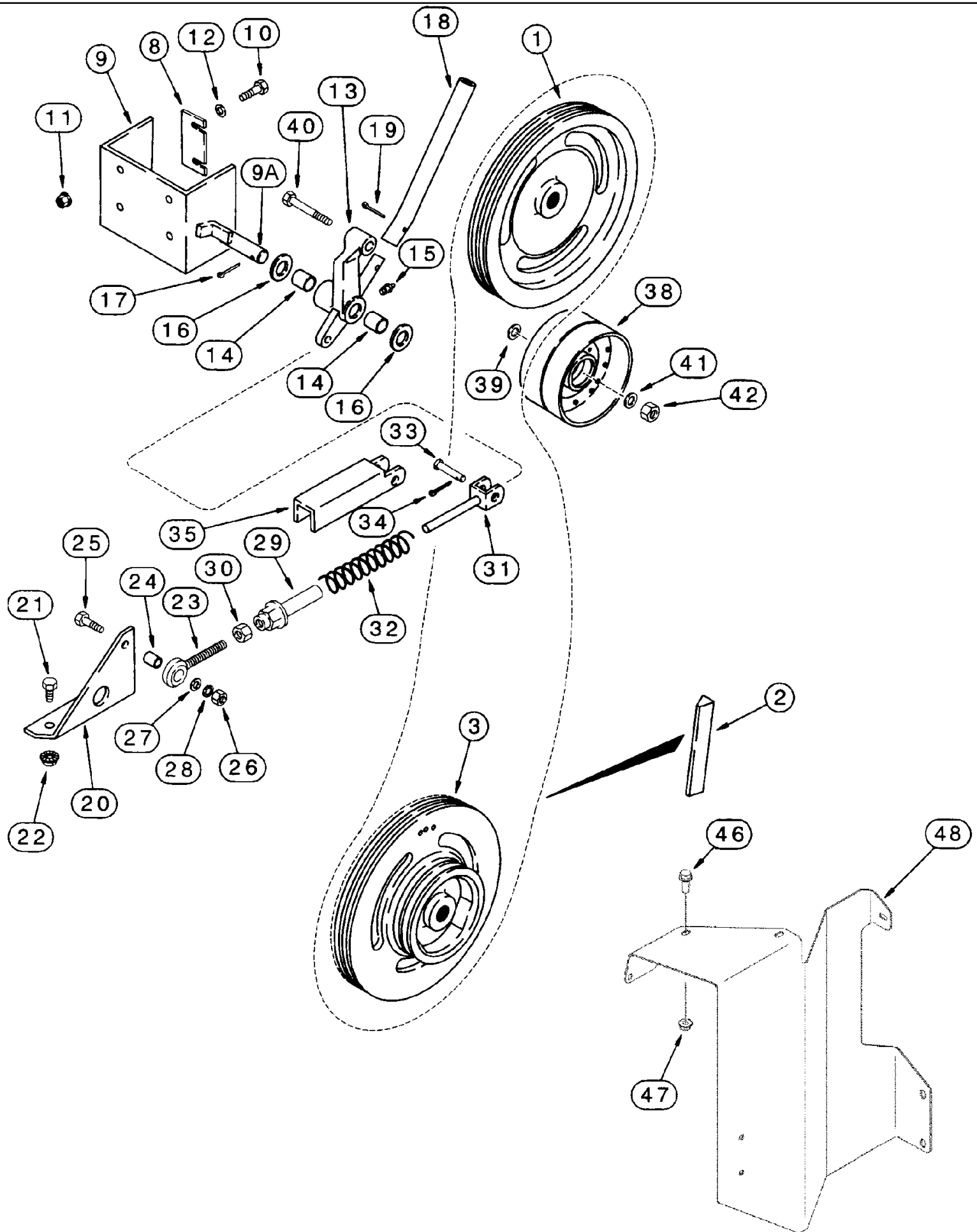
09F-03 STRAW SPREADER - SHIELDS



09F-03 STRAW SPREADER - SHIELDS

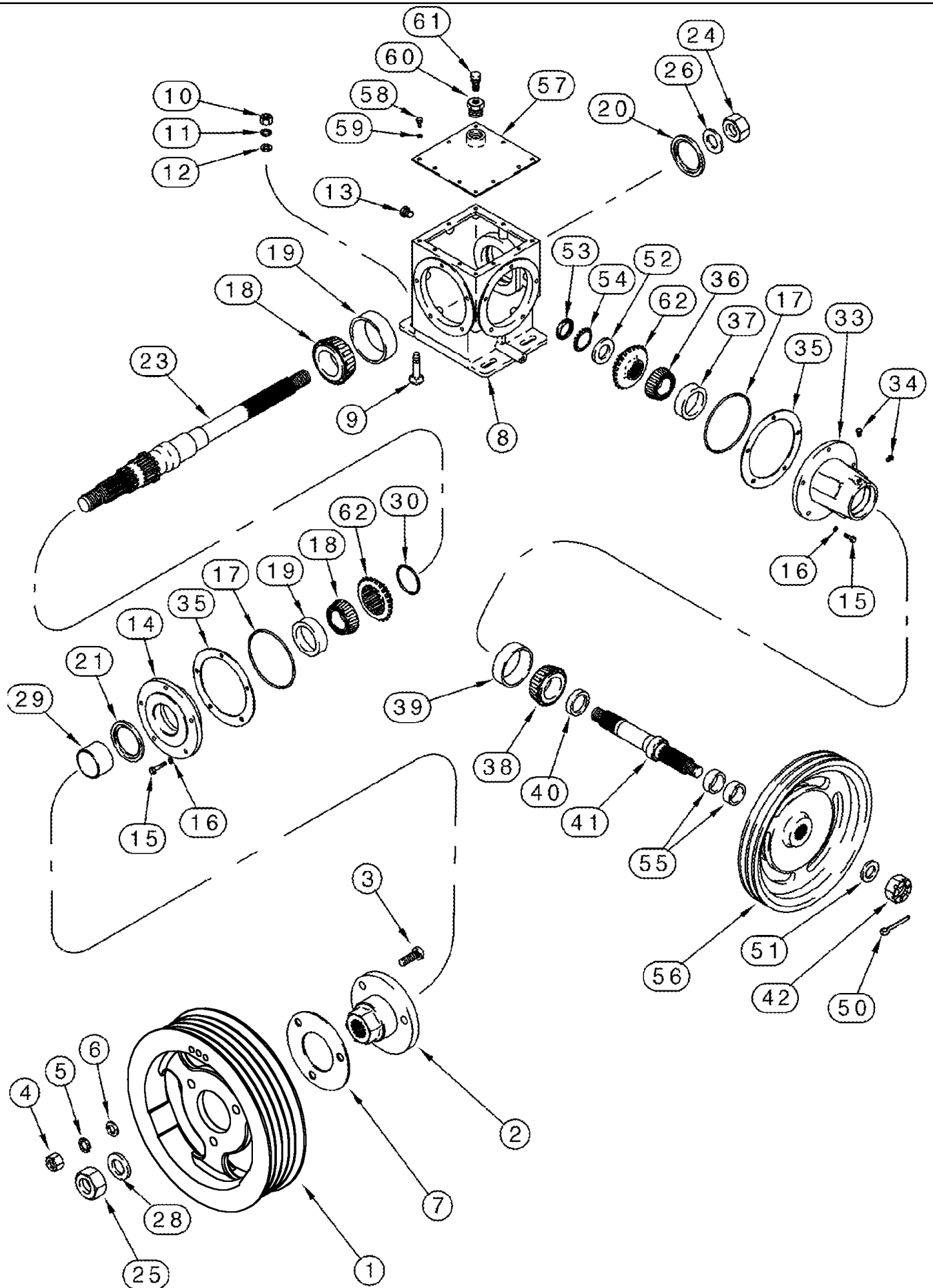
Ref	Part Number	Qty	Description
1	1308916C2	2	SHIELD, , Straw Spreader
1A	87374694	2	RUBBER, , Straw and Chaff Spreader
2	256873	AR	BOLT, Hex Flg, 5/16"-18 x 1/2", Serr,
3	1308912C3	2	PIPE,
4	515-28175	6	CLAMP, 11/16", 3/8" Bolt,
5	231-5145	8	NUT, Flg, USR, 5/16"-18,
6	409-7512	6	BOLT, Hex Flg, 5/16"-18 x 3/4", Serr,
7	183958A2	1	SUPPORT, Right Hand, Straw Spreader
8	231-5145	2	NUT, Flg, USR, 5/16"-18,
9	231-4115	14	NUT, LOCK, 5/16"-18, GB,
10	495-81116	8	WASHER, .344" x 1" x .060", Used With 1
11	409-7512	2	BOLT, Hex Flg, 5/16"-18 x 3/4", Serr,
12	441749A1	1	GUARD,
13	1308913C1	2	SUPPORT,
	231-5146	4	NUT, Flg, USR, 3/8"-16,
14	477-73108	3	SCREW, Slt'd Serr Truss Hd, 5/16"-18 x 1/2",
15	186697A1	1	SUPPORT, Upper
16	1308914C4	1	SUPPORT, Left Hand, Straw Spreader
17	237965A1	1	SUPPORT, Front
18	477-73112	7	BOLT, Slotted Tr Hd, 5/16"-18 x 3/4",
19	231-5145	7	NUT, Flg, USR, 5/16"-18,
20	409-7516	1	BOLT, Hex Flg, 5/16"-18 x 1", Serr,
21	231-5145	2	NUT, Flg, USR, 5/16"-18,
22	477-73116	3	SCREW, Slt'd Serr Truss Hd, 5/16"-18 x 1",
23	495-11034	6	WASHER, 5/16", SAE,
24	231-5145	6	NUT, Flg, USR, 5/16"-18,
25	257526A2	1	BRACKET, Lower
26	182925A1	1	LOCK,
27	191030A1	1	STRIP,
28	140286A1	2	STRIP, Front, Straw and Chaff Spreader
29	140287A1	2	STRIP, Rear, Straw and Chaff Spreader
30	230413A2	1	GUARD, Right Hand Rear
31	409-7512	2	BOLT, Hex Flg, 5/16"-18 x 3/4", Serr,
32	231-5145	2	NUT, Flg, USR, 5/16"-18,
36	187884C1	1	SEAL, 51 mm (2 in), Cut From 187885C1
37	1321640C1	2	GROMMET,
38	140277A1	1	GUARD, Rubber
39	87381276	4	PIN ASSY., (Not Shown)

09F-04 STRAW CHOPPER - DRIVE



09F-04 STRAW CHOPPER - DRIVE

Ref	Part Number	Qty	Description
1	1315264C1	1	PULLEY, Drive, 7 in OD, 14 in OD
2	1315266C1	1	BELT, 110-3/4 in
3	1315264C1	1	PULLEY, Driven, 7 in OD, 14 in OD
8	1302709C1	AR	SHIM,
9	1315251C1	1	SUPPORT, Inc. 9A
9A	1315473C1	1	PIN,
10	413-616	4	BOLT, Hex, 3/8"-16 x 1", G5, Full Thd,
11	231-5146	4	NUT, Flg, USR, 3/8"-16,
12	495-81135	4	WASHER, 13/32" x 1" x .120",
13	1315249C92	1	LEVER, Inc. 14
14	559154R1	2	BUSHING,
15	219-87	1	NIPPLE, LUBE, 1/4"-28 x .56" lg, Self-Tap,
16	495-11106	2	WASHER, 1", SAE,
17	432-1624	1	PIN, SPLIT (COTTER), 1/4" x 1 1/2",
18	1315248C1	1	TUBE,
19	432-1224	1	PIN, SPLIT (COTTER), 3/16" x 1 1/2",
20	436631A2	1	SUPPORT, Right Hand
21	413-816	2	BOLT, Hex, 1/2"-13 x 1", G5, Full Thd,
21	413-820	2	BOLT, Hex, 1/2"-13 x 1 1/4", G5, Full Thd,
22	231-5148	4	NUT, Flg, USR, 1/2"-13,
23	1315259C1	1	BOLT,
24	87036416	1	SPACER, 3/4" Pipe x 1 1/16",
25	281058	1	BOLT, Hex, 1/2"-13 x 2", G8,
26	9803187	1	NUT, 1/2"-13, G8,
27	496-21053	1	WASHER, 17/32" x 1 1/16" x .134",
28	492-21050	1	WASHER, LOCK, 1/2",
29	1315260C1	1	CONNECTOR,
30	425-1012	1	NUT, 3/4"-10, G5,
31	1315256C1	1	ROD,
32	1315247C1	1	SPRING,
33	86837477	1	PIN, CLEVIS, 1/2" x 2 1/4",
34	432-816	1	PIN, SPLIT (COTTER), 1/8" x 1",
35	1315364C1	1	CHANNEL,
38	1345048C1	1	PULLEY,
39	496-41066	5	WASHER, 21/32" x 1 1/2" x .188", HDN,
40	413-1072	1	BOLT, Hex, 5/8"-11 x 4 1/2", G5,
41	496-41066	1	WASHER, 21/32" x 1 1/2" x .188", HDN,
42	231-41110	1	NUT, LOCK, 5/8"-11, GB,
46	409-7512	8	BOLT, Hex Flg, 5/16"-18 x 3/4", Serr,
47	231-5145	8	NUT, Flg, USR, 5/16"-18,
48	REF	1	INSTRUCTION, Shield, Right-Hand, See Figure 09H-06



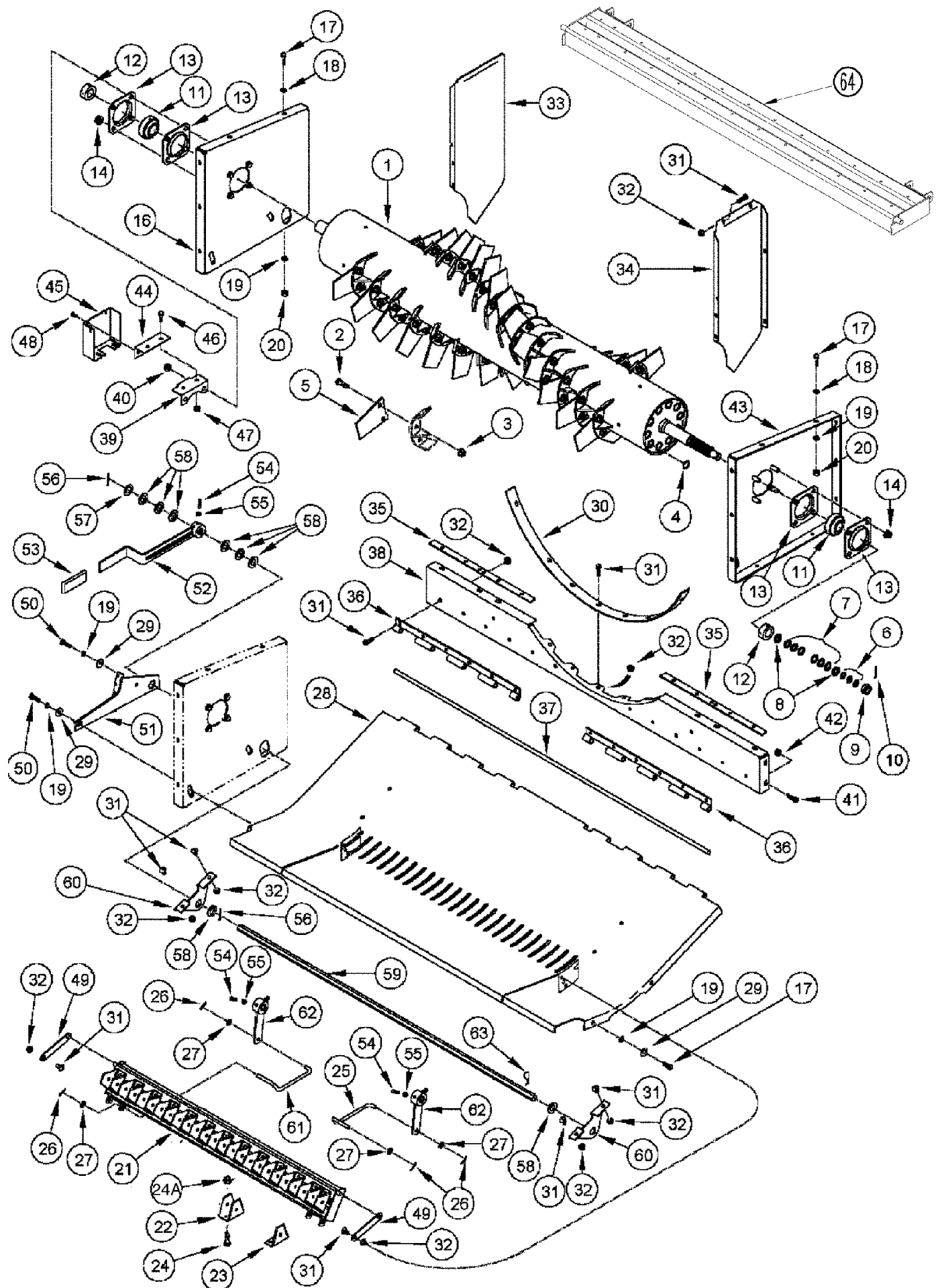
09F-05 STRAW CHOPPER - HOUSING, GEAR

Ref	Part Number	Qty	Description
	419764A1	1	GEARBOX, Inc. 8, 13 - 23, 29 - 41, 52 - 54, 57 - 62
1	364320A2	1	PULLEY, Drive, 15 OD, 5 Groove Pulley
2	181211C1	1	HUB,
3	566206R2	3	BOLT,
4	429-1110	3	NUT, 5/8"-18, G8,
5	492-21062	3	WASHER, LOCK, 5/8",
6	496-41066	3	WASHER, 21/32" x 1 1/2" x .188", HDN,
7	181363C1	AR	SHIM, 0.06 in
8	181278C1	1	HOUSING,
9	433-828	6	BOLT, CARRIAGE, Short NK, 1/2"-13 x 1 3/4", G5,
10	425-108	6	NUT, 1/2"-13, G5,
11	80679	6	WASHER, LOCK, 1/2",
12	496-41053	6	WASHER, 17/32" x 1 1/4" x 3/16",
13	86568834	2	PLUG, Hex Hd, 1/4"-18 NPTF,
14	181274C1	1	HUB,
15	413-620	10	BOLT, Hex, 3/8"-16 x 1 1/4", G5, Full Thd,
16	492-11038	10	WASHER, LOCK, 3/8",
17	238-5250	2	O-RING, -250, 70 Duro, 4.984" ID x .139" Thk,
18	298029R91	2	BEARING, CONE,
19	ST874A	2	BEARING, CUP,
20	181287C1	1	SEAL, Front
21	181288C1	1	SEAL, Rear
23	411043A1	1	SHAFT,
24	231-42116	1	NUT, LOCK, 1"-8, GB,
25	231-41120	1	NUT, LOCK, 1 1/4"-7, GB,
26	496-21106	1	WASHER, 1 1/16" x 2" x .209",
28	87301675	1	WASHER, 1 3/8" x 2 1/2" x 1/4", HDN,
29	181269C1	1	SPACER,
	1315284C1	1	PACKAGE, Inc. 30
30	181255C1	1	RING, SNAP, Ring Snap, 2.59 mm (0.102 in)
30	181256C1	1	SNAP RING, 2.67 mm (0.105 in)
30	181257C1	1	SNAP RING, 2.74 mm (0.108 in)
30	181258C1	1	SNAP RING, 2.82 mm (0.111 in)
30	181259C1	1	SNAP RING, 2.89 mm (0.114 in)
30	181260C1	1	SNAP RING, 2.97 mm (0.117 in)
30	181261C1	1	SNAP RING, 3.05 mm (0.120 in)
30	181262C1	1	SNAP RING, 3.12 mm (0.123 in)
30	181263C1	1	SNAP RING, 3.20 mm (0.126 in)
30	181264C1	1	SNAP RING, 3.28 mm (0.129 in)
30	181265C1	1	SNAP RING, 3.35 mm (0.132 in)
30	181266C1	1	SNAP RING, 3.43 mm (0.135 in)
33	191245C2	1	HUB,
34	217-84	2	PLUG, Hex Hd, 1/8"-27, Brass,

09F-05 STRAW CHOPPER - HOUSING, GEAR

Ref	Part Number	Qty	Description
	195484C2	1	KIT, SHIM, Inc. 35
35	194548C1	4	SHIM, 0.005 in
35	194549C1	4	SHIM, 0.007 in
35	194550C1	2	SHIM, 0.020 in
36	ST2071	1	BEARING, CONE,
37	17498D	1	BEARING, CUP,
38	618023R91	1	BEARING, CONE, 1-3/8 inch ID
39	618024R1	1	BEARING, CUP, 2-1/2 OD
40	192527C1	1	SEAL,
41	181195C1	1	SHAFT,
42	425-1314	1	NUT, SLOTTED, 7/8"-14, G5,
50	432-828	1	PIN, SPLIT (COTTER), 1/8" x 1 3/4",
51	496-21094	1	WASHER, 15/16" x 1 3/4" x .179", HDN,
52	396-11119	1	WASHER, 1 3/16" x 2 1/4" x .134", HDN,
53	54-2006	1	NUT, LOCK, Bearing, 1.1811" Bore, TN-06
54	55-2006	1	WASHER, LOCK, Type TW-106,
55	87634292	2	SPACER, Spacer
56	1315264C1	1	PULLEY, Chopper Drive & Driven Dual, 7 in OD, 14 in OD
57	181281C1	1	COVER,
58	413-512	10	BOLT, Hex, 5/16"-18 x 3/4", G5, Full Thd,
59	492-11031	10	WASHER, LOCK, 5/16",
60	217-46	1	REDUCER, 3/4"-14 NPTF x 3/8"-18 Fem NPTF,
61	219-436	1	BREATHER, 3/8"-18 NPT, Short, w/washer,
	188814C1	1	GEAR, BEVEL, Set, Cut Bevel, If Used, Inc. 62
62	181280C1	1	GEAR, BEVEL, 23T
62	181279C1	1	GEAR, BEVEL, 24T
	243333A1	1	GEAR, BEVEL, Forged Bevel, If Used, Inc. 62
62	NSS	1	NOT SERVICED SEPARATELY, Gear
62	NSS	1	NOT SERVICED SEPARATELY, Gear

09F-06 STRAW CHOPPER - ROTOR AND CONCAVE



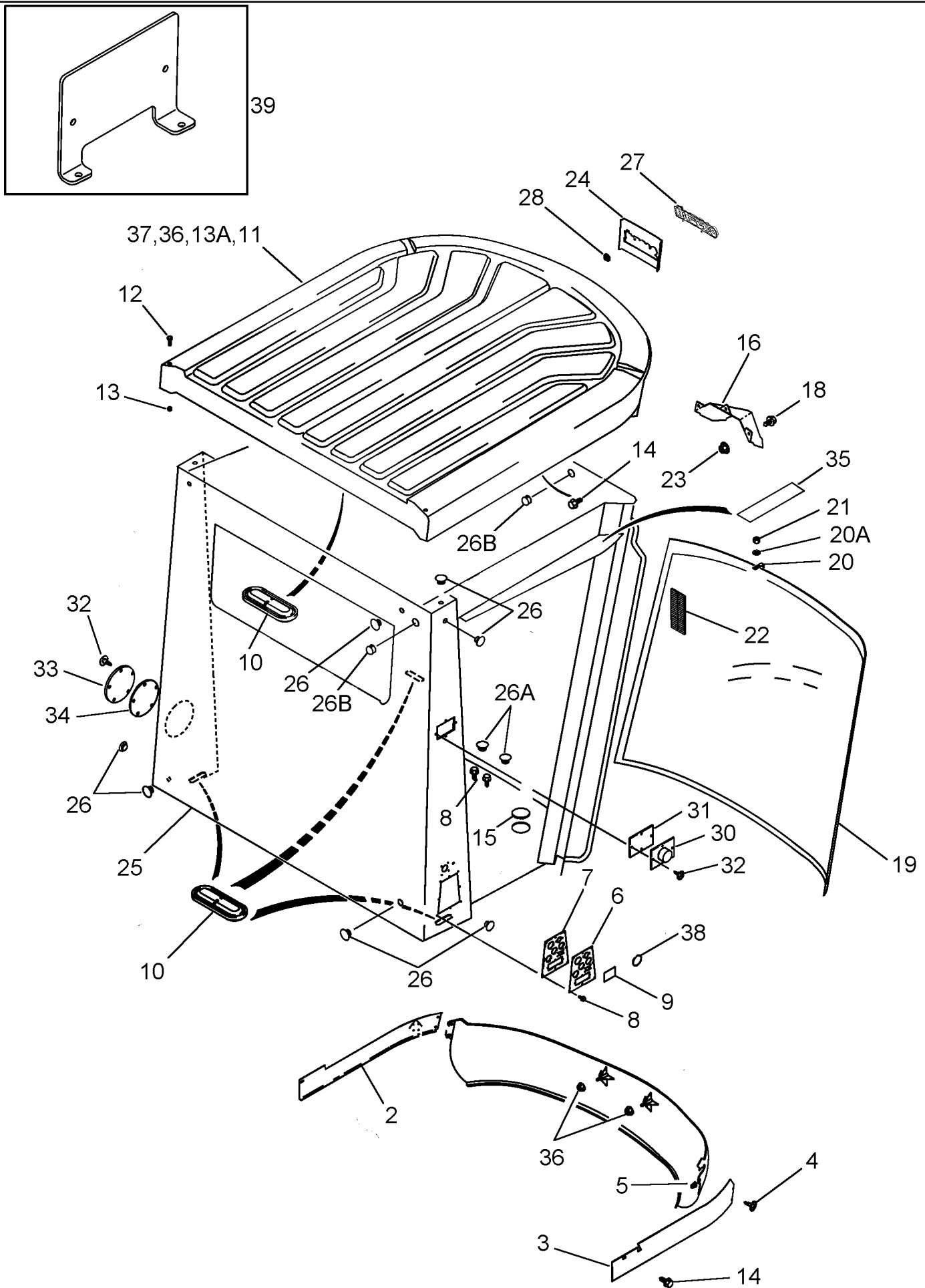
09F-06 STRAW CHOPPER - ROTOR AND CONCAVE

Ref	Part Number	Qty	Description
1	410004A1	1	ROTOR, Inc. 2 - 5, 9
2	413-816	56	BOLT, Hex, 1/2"-13 x 1", G5, Full Thd,
3	231-5148	56	NUT, Flg, USR, 1/2"-13,
4	1346984C1	18	PLUG,
5	442832A1	1	SET OF BLADES, Chopper Rotor Blades, Set of 2 Inc. Hardware
6	87629039	4	WASHER,
6	495-81062	1	WASHER, 29/32" x 2" x .120",
7	87629040	5	WASHER,
8	87614520	1	SPACER,
9	425-1314	2	NUT, SLOTTED, 7/8"-14, G5,
10	432-828	1	PIN, SPLIT (COTTER), 1/8" x 1 3/4",
11	455111R91	2	BEARING, BALL,
12	87313329	2	COLLAR,
13	1307583C1	4	FLANGE, If Used
13	663562R1	4	FLANGE, If Used
14	231-5148	12	NUT, Flg, USR, 1/2"-13,
16	144700A2	1	SUPPORT, Left Hand
17	413-616	7	BOLT, Hex, 3/8"-16 x 1", G5, Full Thd,
17	413-620	1	BOLT, Hex, 3/8"-16 x 1 1/4", G5, Full Thd,
17	9706726	8	BOLT, Hex Flg, 3/8"-16 x 1", Serr,
18	495-11041	16	WASHER, 3/8", SAE,
19	492-11038	20	WASHER, LOCK, 3/8",
20	425-106	8	NUT, 3/8"-16, G5,
20	231-5146	8	NUT, Flg, USR, 3/8"-16,
21	87323280	1	PACKAGE, Inc. 22 - 24A
22	87315088	12	BLADE,
23	87315089	1	BLADE, Concave End
24	412-412	26	BOLT, CARRIAGE, Short NK, 1/4"-20 x 3/4", G2,
24A	231-5344	26	NUT, LOCK, Flg, 1/4"-20,
25	395513A1	1	ROD, Right Hand
26	432-812	4	PIN, SPLIT (COTTER), 1/8" x 3/4",
27	495-11041	4	WASHER, 3/8", SAE,
28	181147C4	1	BOTTOM,
29	496-41041	4	WASHER, 13/32" x 1 1/8" x .134",
30	182950C1	1	SUPPORT, Rear
31	477-73812	27	SCREW, Std Serr Truss Hd, 3/8" x 3/4",
32	231-5146	27	NUT, Flg, USR, 3/8"-16,
33	182948C2	1	DEFLECTOR, Left Hand
34	182949C2	1	DEFLECTOR, Right Hand
35	182895C1	2	FILLER,
36	182893C1	2	HINGE,
37	182980C1	1	ROD,
38	182931C1	1	SUPPORT, Rear

09F-06 STRAW CHOPPER - ROTOR AND CONCAVE

Ref	Part Number	Qty	Description
39	144706A4	1	SUPPORT,
40	425-148	2	NUT, Jam, 1/2"-13, G5,
41	477-73812	14	SCREW, Sltd Serr Truss Hd, 3/8" x 3/4",
42	231-5146	14	NUT, Flg, USR, 3/8"-16,
43	144701A1	1	PLATE, SIDE, Rotor, Right Hand
44	248583A1	1	SUPPORT, Sensor, Outer, Australia Only
45	181208C3	1	SUPPORT, Sensor, Australia Only
46	477-82508	2	SCREW, Sltd Serr Truss Hd, 1/4"-20 x 1/2", Australia Only
47	425-104	2	NUT, 1/4"-20, G5, Australia Only
48	280-1478	2	SCREW, SELF TAPPING, Hex Wash Hd, 1/4" x 1/2", Australia Only
49	391218A1	2	STRAP,
50	409-7620	2	BOLT, Hex Flg, 3/8"-16 x 1 1/4", Serr,
51	396337A1	1	PLATE,
52	396277A1	1	SHAFT,
53	402987A1	1	GRIP,
54	485-13116	6	SET SCREW, Sq Hd, 5/16"-18 x 1",
55	425-105	6	NUT, 5/16"-18, G5,
56	432-820	2	PIN, SPLIT (COTTER), 1/8" x 1 1/4",
57	495-81056	AR	WASHER, 29/32" x 1 1/2" x .060",
58	495-81057	AR	WASHER, 29/32" x 1 1/2" x .120",
59	391221A1	1	SHAFT,
60	391229A1	2	SUPPORT,
61	391222A1	1	ROD, Left Hand
62	391230A1	2	PIVOT,
63	480523R1	1	SPLIT PIN/SAFETY PIN,
64	418493A1	1	BAR, Chopper Concave

09G-01 CAB - FRAME AND WINDSHIELD

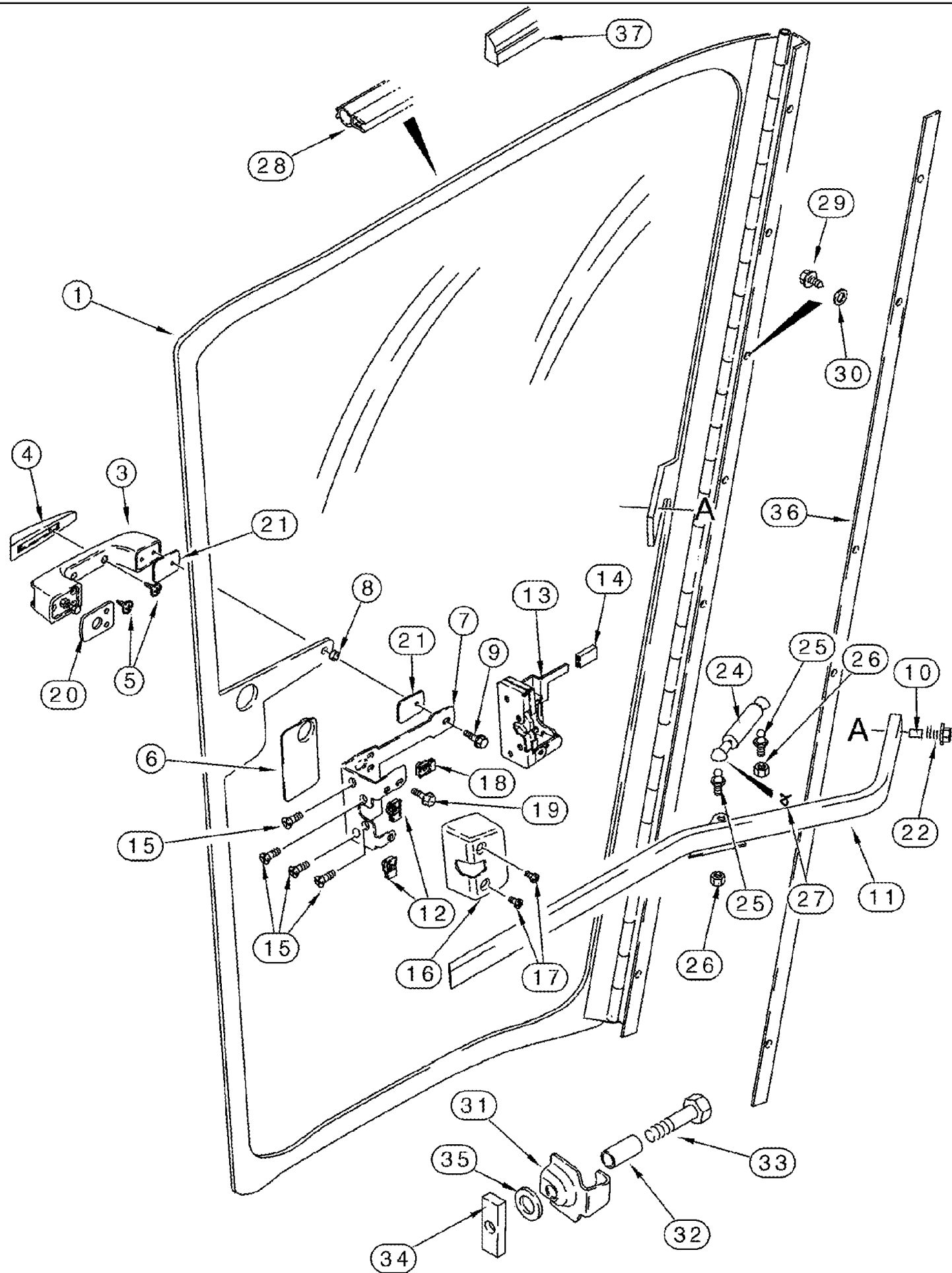


09G-01 CAB - FRAME AND WINDSHIELD

Ref	Part Number	Qty	Description
1	387393A1	1	CAB, ROPS
1	120140A2	1	COVER, Cab, Front
2	139597A2	1	COVER, Cab, Left Hand
3	139598A3	1	COVER, Cab, Right Hand
4	260-16516	6	SCREW, SELF TAPPING, Cross Pan Hd, #10 x 1",
5	60-6708T1	4	NUT, SPECIAL,
6	275196A2	1	PLATE, Inc. 9, 38, Note: Power Positive Cable Connector Kit, 311906A1, Mounts Behind REF 6 and 7. See Figure 04-10
7	275195A2	1	GASKET, , Note: Power Positive Cable Connector Kit, 311906A1, Mounts Behind REF 6 and 7. See Figure 04-10
8	191216A1	8	SCREW, SELF TAPPING, Hex Wash Hd, #10-24 x 5/8",
9	282857A1	1	DECAL, Connector Cover
10	137293A1	4	PLUG,
11	122819A2	1	ROOF, Inc. 12, 13
12	614-8040	4	BOLT, Hex, M8 x 40, 8.8, Full Thd,
13	230484A1	4	NUT, M8 - 1,25
13A	131-648	16	NUT, Tinn, U, #10-24,
14	191216A1	7	SCREW, SELF TAPPING, Hex Wash Hd, #10-24 x 5/8",
15	353-593	4	PLUG, 2-1/2 ID
16	141758A3	1	COVER,
17	1987144C1	1	DECAL, Axial-Flow, (Not Shown), See Figure 09H-18, REF 16
18	413-416	3	BOLT, Hex, 1/4"-20 x 1", G5,
19	116809A5	1	WINDSHIELD,
20	117707A3	4	CLAMP,
20A	495-11041	6	WASHER, 3/8", SAE,
21	825-5148	4	NUT, M8, Flg Ser,
21	829-1408	4	NUT, M8, CI 10,
22	97268C1	25	SPACER,
23	425-104	3	NUT, 1/4"-20, G5,
24	232846A2	1	COVER,
25	87597470	1	CAB, Frame Assembly
26	353-402	10	PLUG, Dome, .375" hole, Nylon, Exterior Trim
26A	353-400	2-4	PLUG, Dome, .250" hole, Nylon, Cab Exterior
26B	353-411	2	PLUG, Dome, 1.000" hole, Nylon, Antenna Hole
27	87557775	1	EMBLEM, Case IH Logo, See Figure 09H-18, REF 21
28	131-431	2	NUT, LOCK, Self, Threading, 1/4",
30	246752A1	1	PLATE, Right Hand, For Attaching Parts, See Figure 09G-15, REF 12
31	247058A1	1	GASKET,
32	191216A1	4	SCREW, SELF TAPPING, Hex Wash Hd, #10-24 x 5/8",
33	246753A1	1	PLATE, Left Hand
34	252676A1	1	GASKET,
35	251548A1	3	TAPE, ADHESIVE, 63,5 mm (2-1/2 in), Cut From 251550A1
35	251549A1	1	TAPE, ADHESIVE, 160 mm (6-1/4 in), Cut From 251550A1

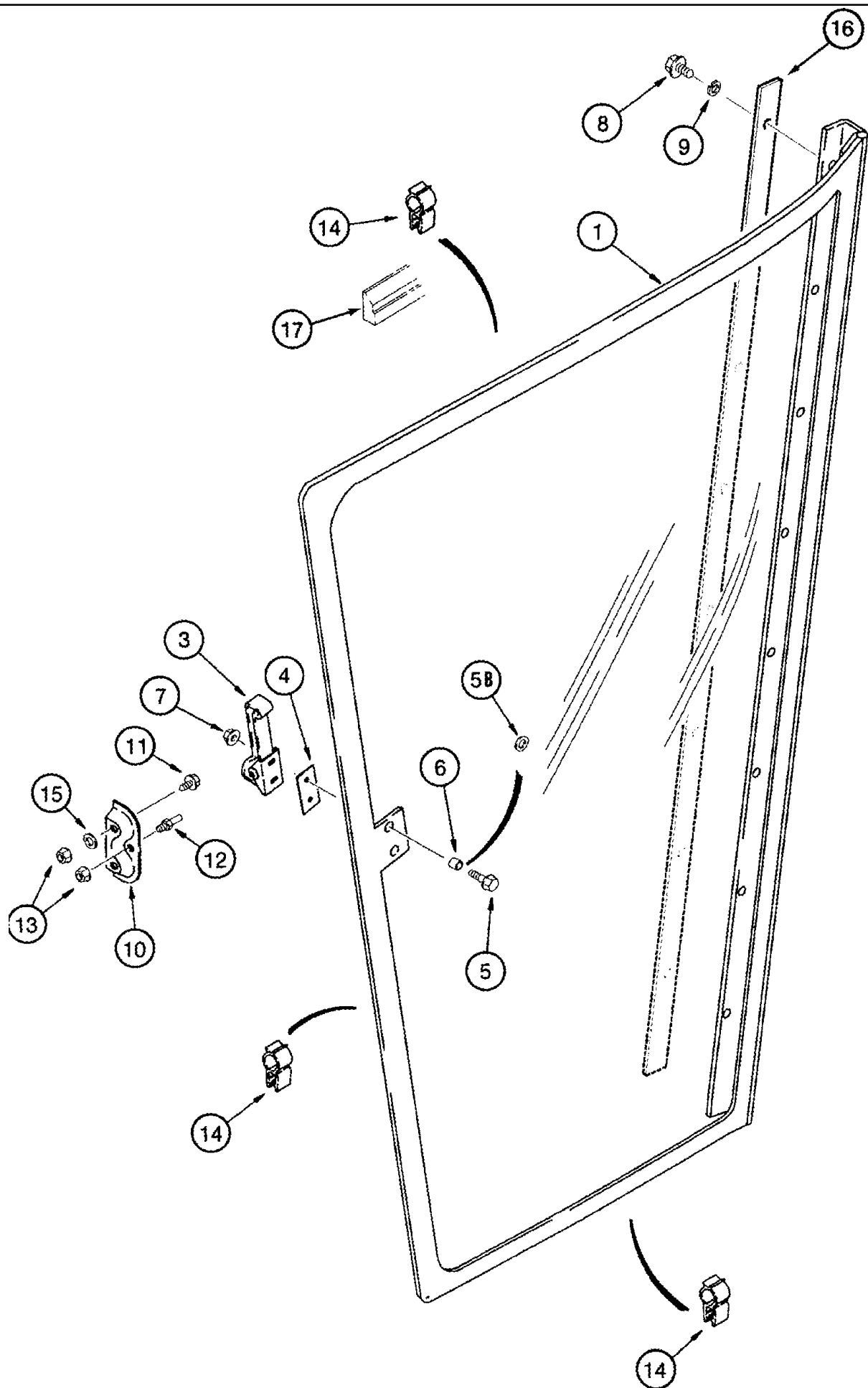
09G-01 CAB - FRAME AND WINDSHIELD

Ref	Part Number	Qty	Description
36	825-5148	6	NUT, M8, Flg Ser,
37	495-81135	2	WASHER, 13/32" x 1" x .120",
38	282855A1	3	DECAL, Connector Cover, See Figure 09H-23, REF 17
39	320451A1	1	BRACKET, Weldment, Display Mounting



09G-02 CAB - DOOR ASSY, LEFT HAND

Ref	Part Number	Qty	Description
	259688A2	1	DOOR, Left Hand, Inc. 1 - 22
1	NSS	1	NOT SERVICED SEPARATELY, Door, Inc. Hinge
3	117711A1	1	HANDLE,
4	176022A2	1	BUMPER, Bumper
5	177092A1	2	SCREW, SELF TAPPING,
6	123946A2	1	GASKET,
7	123937A2	1	SUPPORT,
8	109171C1	1	BUSHING,
9	303888A1	3	SCREW,
10	175578C1	1	INSULATOR,
11	195649A1	1	HANDLE,
12	564791R1	2	NUT, 1/4
13	117714A1	1	LATCH,
14	60-6423T1	1	CAP,
15	443-12512	4	SCREW, Cross Flat Hd, 1/4"-20 x 3/4",
16	127498A2	1	COVER,
17	140-111	2	SCREW, Cross Pan Hd, 1/4"-20 x 1/2",
18	131-610	1	NUT, U, Ret, 1/4"-20,
19	458-48	1	BOLT, Hex Flg, 1/4"-20 x 1/2", G5, Full Thd,
20	194174A1	1	GASKET, Large
21	194175A1	2	GASKET, Small
22	458-416	1	BOLT, Hex Flg, 1/4"-20 x 1", G5, Full Thd,
24	144006A1	1	CYLINDER,
25	1340345C1	2	PIN, BALL, Inc. 230-4215 Nut
26	231-1445	2	NUT, LOCK, 5/16"-18, GB,
27	F44883	2	CLIP,
28	234089A1	1	SEAL, DOOR, 4483 mm (176-1/2 in), Door
29	281-53510	16	SCREW, SELF TAPPING, Hex Wash Hd, #10 x 5/8",
30	495-31022	16	WASHER, #10,
31	117716A1	1	PROTECTOR,
32	117717A2	1	SPACER,
33	814-12060	1	BOLT, Hex, M12 x 60, 8.8,
34	117718A1	1	PLATE,
35	496-41053	AR	WASHER, 17/32" x 1 1/4" x 3/16",
36	193316A1	1	SHIM, Shim
37	232801A1	1	SEAL, DOOR, 1016 mm (40 in), Door
38	613-8020	2	BOLT, Hex, M8 x 20, 8.8, Full Thd, (Not Shown)



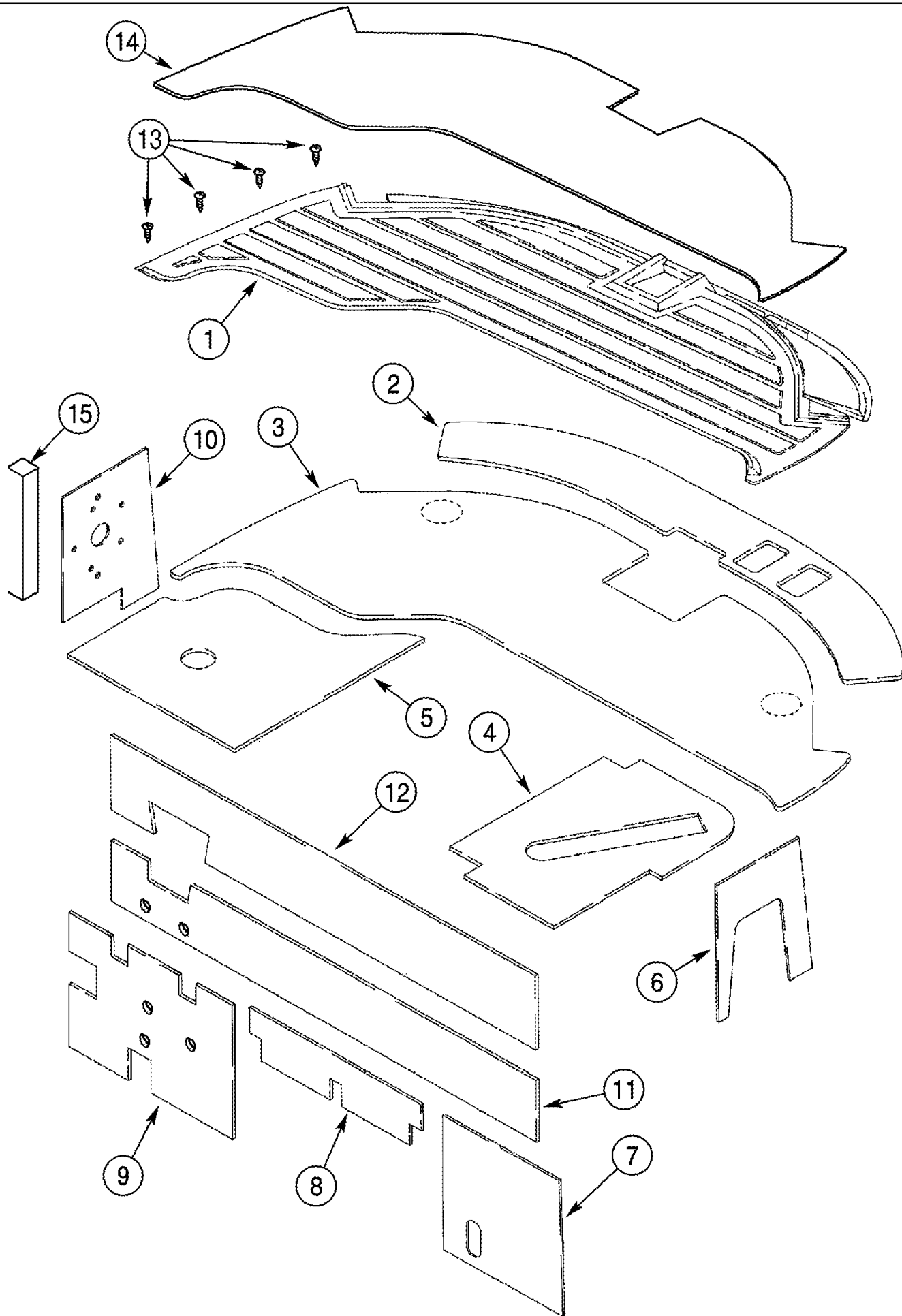
09G-03 CAB - DOOR ASSY, RIGHT HAND

Ref	Part Number	Qty	Description
1	186390A2	1	DOOR, Right Hand
3	1955184C1	1	LEVER,
4	194190A2	1	GASKET,
5	97006C1	2	BOLT, M6 x 20
5A	225913A1	2	WASHER,
6	109171C1	2	BUSHING,
7	97005C1	2	NUT, M6
8	117067A1	8	SCREW, SELF TAPPING, Cross Pan Hd, #10-24 x 3/4",
9	492-11010	8	WASHER, LOCK, #10,
10	117723A2	1	SUPPORT,
11	613-8020	2	BOLT, Hex, M8 x 20, 8.8, Full Thd,
12	117724A1	1	PIN,
13	825-5148	3	NUT, M8, Flg Ser,
14	234089A1	1	SEAL, DOOR, 4483 mm (176-1/2 in), Door
15	495-21038	2	WASHER, 5/16",
16	193316A1	1	SHIM,
17	232801A1	1	SEAL, DOOR, 1016 mm (40 in), Door

09G-04 CAB - WINDOW, REAR - OPENABLE

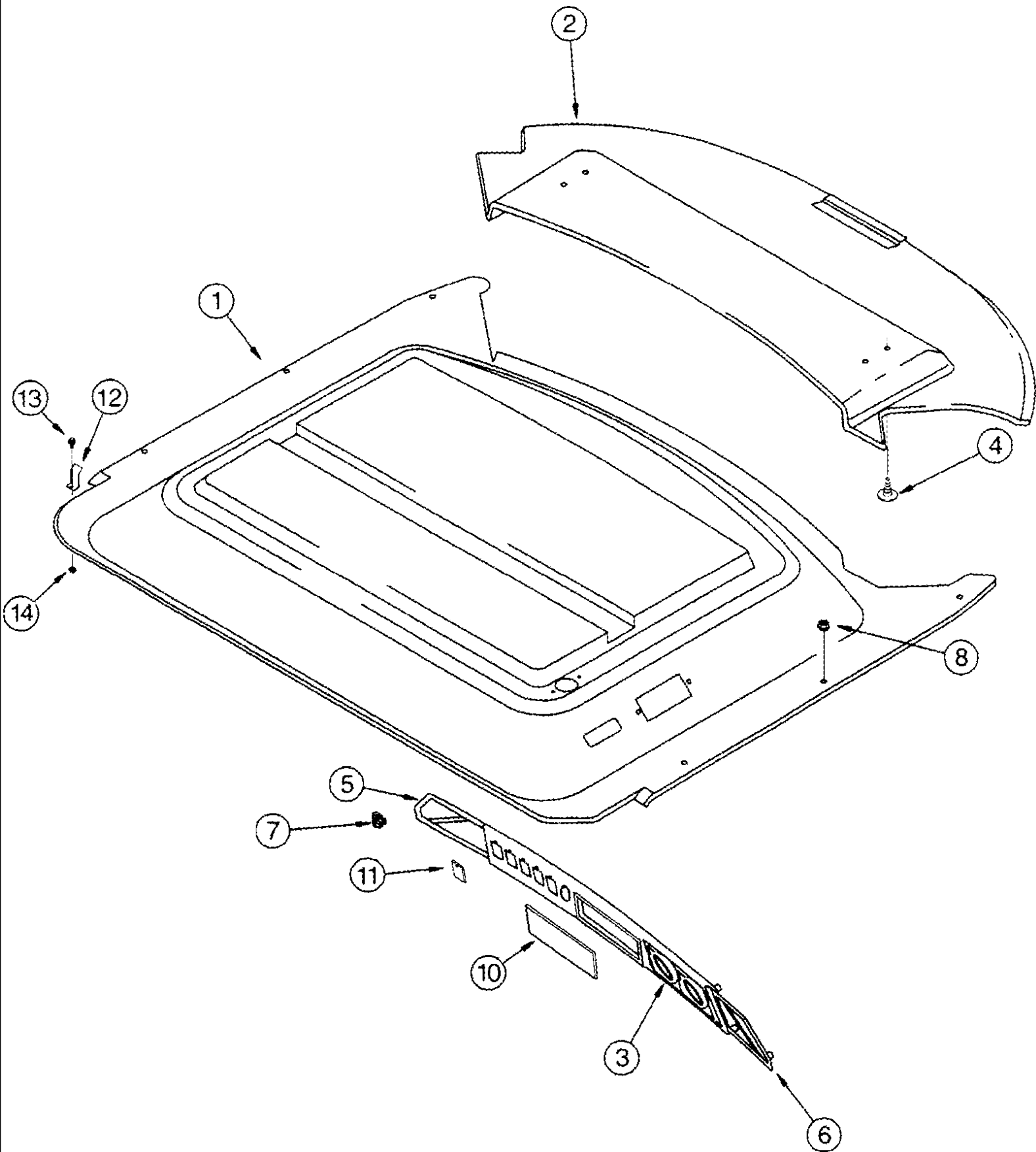
Ref	Part Number	Qty	Description
	247703A1	1	GLASS, Openable, Inc. 1 - 18
1	247904A1	1	FRAME, WINDOW, Lower
2	247903A1	1	FRAME, WINDOW, Upper
3	246010A1	1	SEAL, Lower Frame
4	246009A1	1	SEAL, Upper Frame
5	248379A1	2	PLATE, Hinge, Inner
6	248377A1	2	PLATE, Hinge, Outer
7	248380A1	1	HINGE, Right Hand
8	248381A1	1	HINGE, Left Hand
9	248410A1	2	SCREW, 5/16
10	249363A1	4	ADHESIVE STRIP, 40 mm , Cut From 248383A1
11	248375A1	1	GLASS,
12	248385A1	6	BUSHING,
13	248384A1	6	NUT,
14	248376A1	2	PLATE,
15	249009A1	8	SCREW, SELF TAPPING, Cross Pan Hd, #8-32 x 3/8",
16	249364A1	2	LOCK,
17	249684A1	2	WASHER,
18	260-14416	4	SCREW, SELF TAPPING, Cross Pan Hd, #8 x 1",
19	253771A1	1	SUPPORT,
20	191216A1	AR	SCREW, SELF TAPPING, Hex Wash Hd, #10-24 x 5/8",
21	231-51409	4	NUT, Flg, USR, #10-24, (Not Shown)

09G-05 CAB - FLOOR MAT AND INSULATION



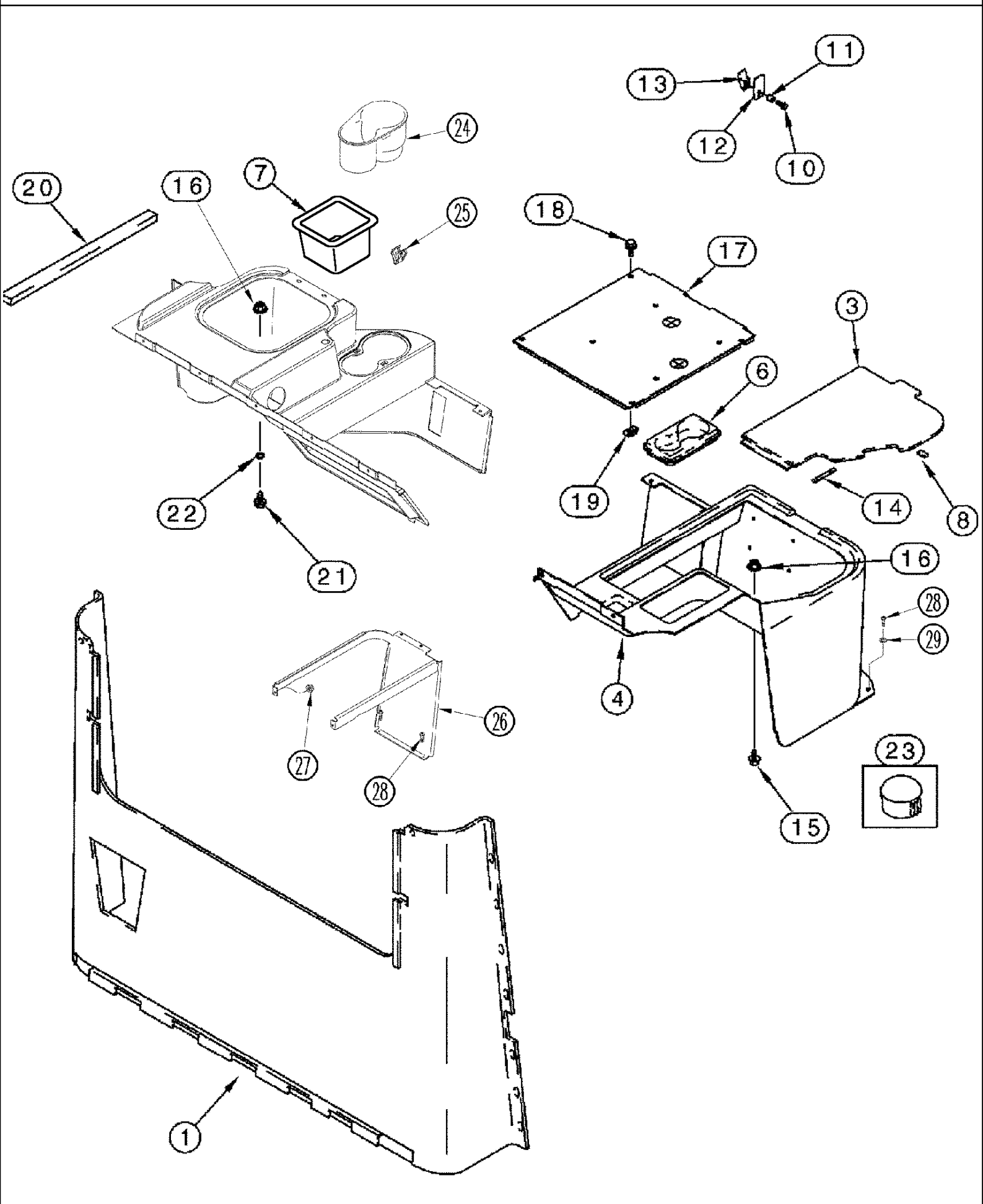
09G-05 CAB - FLOOR MAT AND INSULATION

Ref	Part Number	Qty	Description
1	132228A1	1	MAT, Cab
2	136485A1	1	MAT, Floor, Front
3	136484A1	1	MAT, Floor
4	125038A1	1	INSULATION, FOAM, Floor, Right Hand Rear
5	125037A2	1	INSULATION, FOAM, Floor, Left Hand Rear
6	247007A1	1	INSULATION, FOAM, Lower Right Hand
7	125040A2	1	INSULATION, FOAM, Lower Right Hand Rear
8	119486A1	1	INSULATION, FOAM, Lower Rear Center
9	125041A3	1	INSULATION, FOAM, Lower Left Hand Rear
10	125042A2	1	GASKET,
11	137944A2	1	INSULATION, FOAM, Center Rear
12	137945A1	1	INSULATION, FOAM, Upper Rear
13	266-53516	4	SCREW, SELF TAPPING, Cross Oval Hd, #10 x 1",
14	182658A1	1	CARPET,
15	192269A1	2	FOAM, 500 mm (19-5/8 in), Cut From 1971350C1



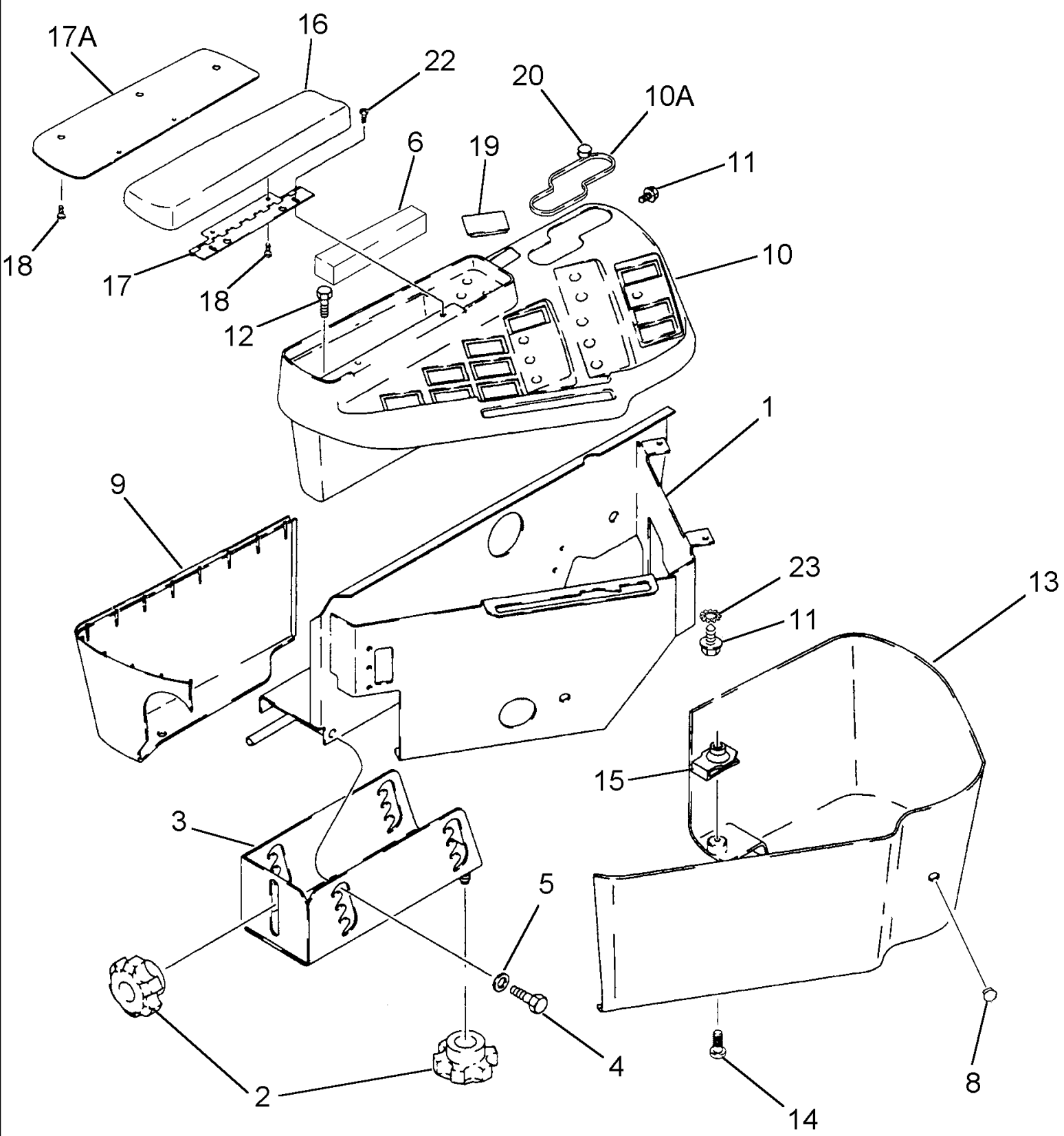
09G-06 CAB - HEADLINER

Ref	Part Number	Qty	Description
1	87363445	1	LINING, ROOF, Rear
2	87363444	1	LINING, ROOF, Front
3	87309490	1	PANEL,
4	260-16524	12	SCREW, SELF TAPPING, Cross Pan Hd, #10 x 1 1/2",
5	1971229C2	1	COVER, Left Hand
6	1971349C2	1	COVER, Right Hand
7	97058C1	4	CLIP,
8	231-5144	6	NUT, Flg, USR, 1/4"-20,
10	1535219C1	1	COVER, , Used on models without a radio
11	245918C1	AR	CAP,
12	87718124	2	CLIP,
13	281-53510	2	SCREW, SELF TAPPING, Hex Wash Hd, #10 x 5/8",
14	231-51409	2	NUT, Flg, USR, #10-24,



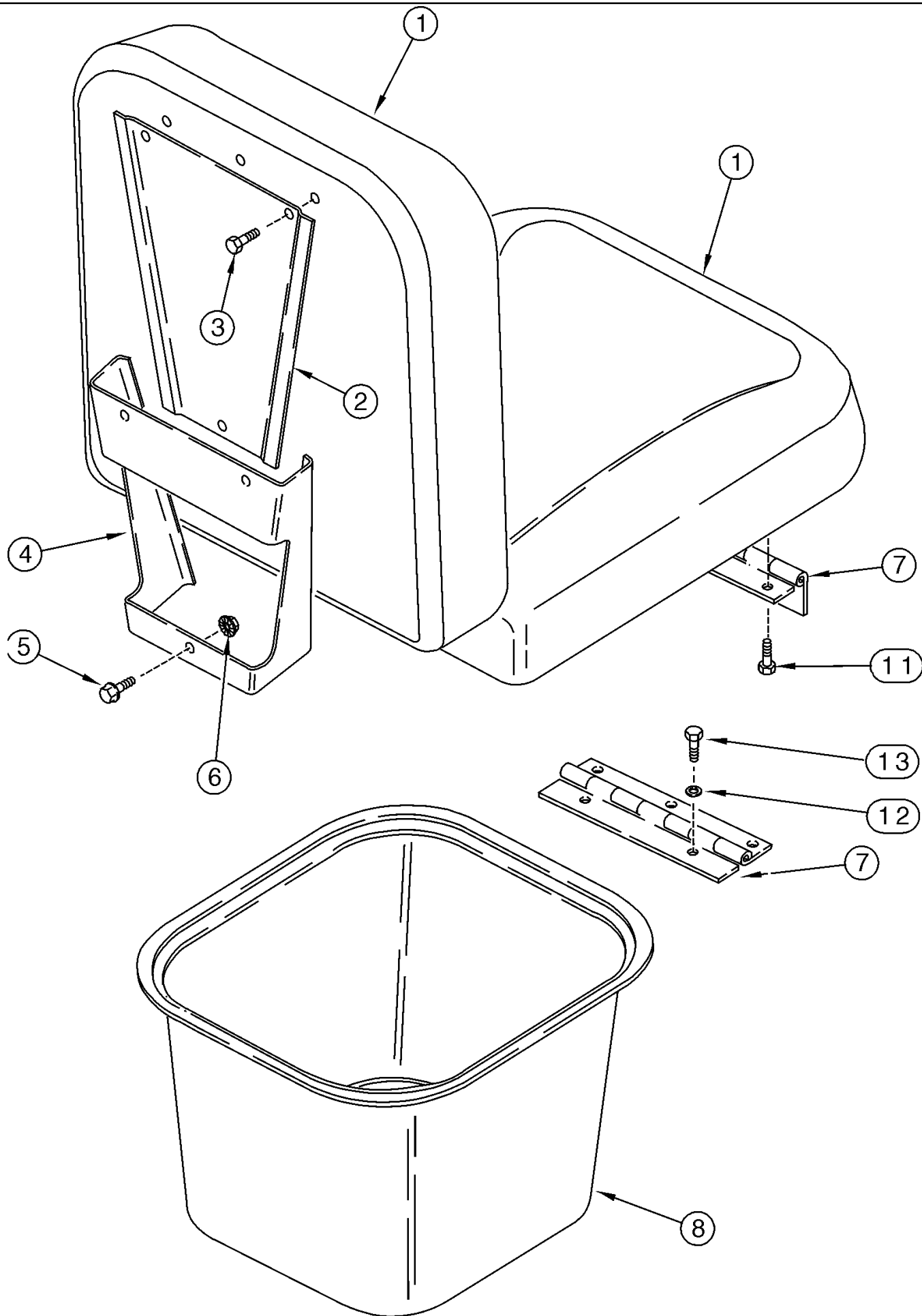
09G-07 CAB - INTERIOR

Ref	Part Number	Qty	Description
	87363447	1	PANEL, Rear Trim, Inc. 1, 2
1	NSS	1	NOT SERVICED SEPARATELY, Panel
3	401090A1	1	COVER, Fuse Access
4	401088A1	1	COVER, Pedestal, Right Hand
5	401089A1	1	COVER, Pedestal, Left Hand
6	1344244C1	1	TRAY, Utility
7	119308A2	1	ASH TRAY, Storage
8	121067A1	4	FASTENER, 1 x 12, Cut From 121068A1 Velcro
10	276-13520	1	SCREW, SELF TAPPING, Hex Hd, #10 x 1 1/4",
11	2-3010T1	1	SPACER,
12	60-6520T1	1	PLATE,
13	3234176R1	1	COAT HOOK,
14	1990258C1	2	GASKET, 80 mm (3-5/32 in), Cut From 187874C1
15	191216A1	13	SCREW, SELF TAPPING, Hex Wash Hd, #10-24 x 5/8",
16	231-51409	23	NUT, Flg, USR, #10-24,
17	NSS	1	NOT SERVICED SEPARATELY, Support
18	458-512	4	BOLT, Hex Flg, 5/16"-18 x 3/4", G5, Full Thd,
19	786618C1	4	NUT,
20	192269A1	1	FOAM, 500 mm (19-5/8 in), Cut From 1971350C1
21	117067A1	12	SCREW, SELF TAPPING, Cross Pan Hd, #10-24 x 3/4",
22	492-11010	12	WASHER, LOCK, #10,
23	353-411	1	PLUG, Dome, 1.000" hole, Nylon,
23	353-410	1	PLUG, Dome, .875" hole, Nylon,
24	401091A1	1	HOLDER, Cup
25	278316A2	2	CLIP,
26	398456A1	1	SUPPORT, Pedestal, Left-Hand
27	825-5146	2	NUT, M6, Flg Ser,
28	191216A1	13	SCREW, SELF TAPPING, Hex Wash Hd, #10-24 x 5/8",
29	495-31022	11	WASHER, #10,



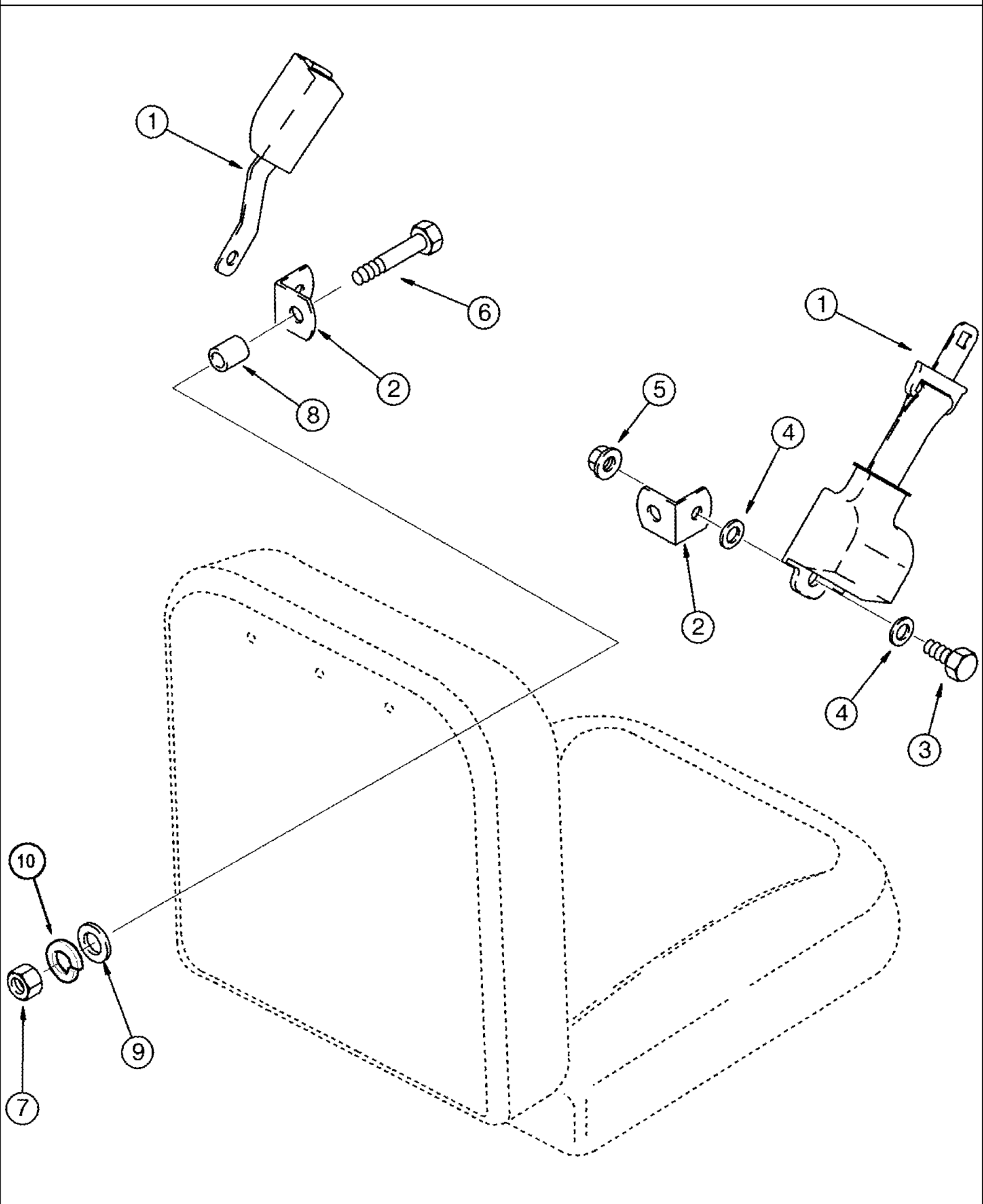
09G-08 CAB - CONSOLE, RIGHT HAND

Ref	Part Number	Qty	Description
1	345286A1	1	FRAME ASSY,
2	118781A1	3	KNOB, Knob
3	117107A2	1	SUPPORT,
4	827-8040	4	BOLT, Hex, M8 x 40, 10.9,
5	895-15008	4	WASHER, M8 x 20 x 1.6,
6	251495A1	AR	FOAM, No Longer Used
7	282056A1	1	PLUG, If Used, (Not Shown), Without Accumulator
8	353-411	1	PLUG, Dome, 1.000" hole, Nylon,
9	130412A1	1	COVER, Rear
10	87541851	1	COVER ASSY, Right Hand, Inc. 10A, Inc. Decals
10A	128833A2	1	GUIDE,
11	841-4410	2	SCREW, Hex Wash Hd, M4 x 10,
12	614-6030	1	BOLT, Hex, M6 x 30, 8.8, Full Thd,
13	118321A2	1	SKIRT, Front
14	191216A1	4	SCREW, SELF TAPPING, Hex Wash Hd, #10-24 x 5/8",
15	131-861	4	NUT, Tinn, U, #10-24,
	128970A3	1	ARMREST, Inc. 16 - 18
16	NSS	1	NOT SERVICED SEPARATELY, Support
17	128849A2	1	HINGE,
17A	185546A1	1	PLATE,
18	185544A1	5	SCREW,
19	245918C1	AR	CAP, Rocker Switch Opening
20	353-402	AR	PLUG, Dome, .375" hole, Nylon, Switch Opening
22	841-4410	2	SCREW, Hex Wash Hd, M4 x 10,
23	493-81000	2	WASHER, LOCK, Ext-Int Tooth, #10,



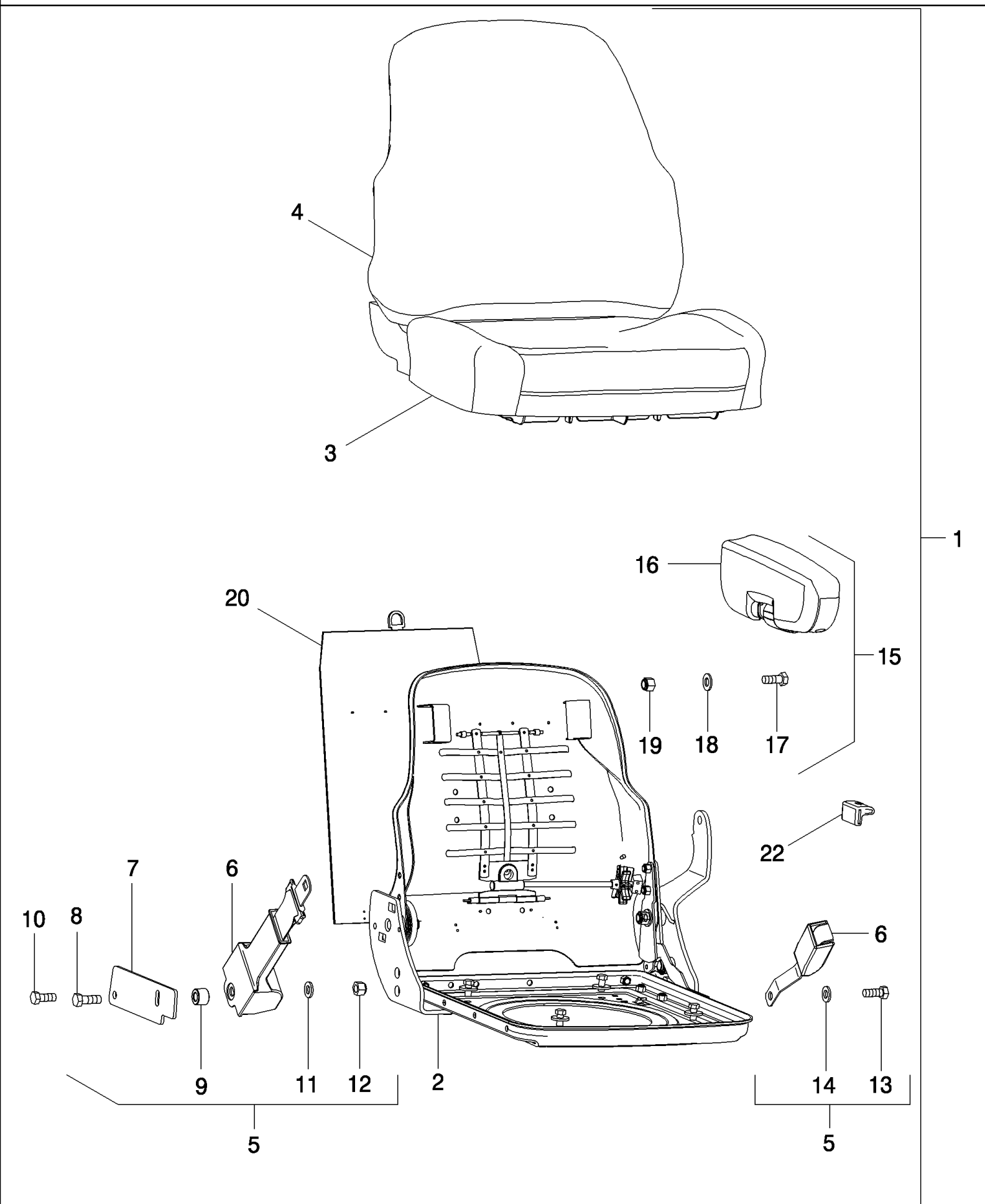
09G-09 SEAT, INSTRUCTIONAL - STORAGE TRAY

Ref	Part Number	Qty	Description
1	304474A2	2	CUSHION,
2	119890A1	1	SUPPORT,
3	413-412	3	BOLT, Hex, 1/4"-20 x 3/4", G5, Full Thd,
4	119891A1	1	SUPPORT,
5	281-53510	3	SCREW, SELF TAPPING, Hex Wash Hd, #10 x 5/8",
6	231-51409	3	NUT, Flg, USR, #10-24,
7	121062A1	1	HINGE,
8	119308A2	1	ASH TRAY,
11	413-412	6	BOLT, Hex, 1/4"-20 x 3/4", G5, Full Thd,
12	614-6020	2	BOLT, Hex, M6 x 20, 8.8,
13	895-11006	2	WASHER, M6,



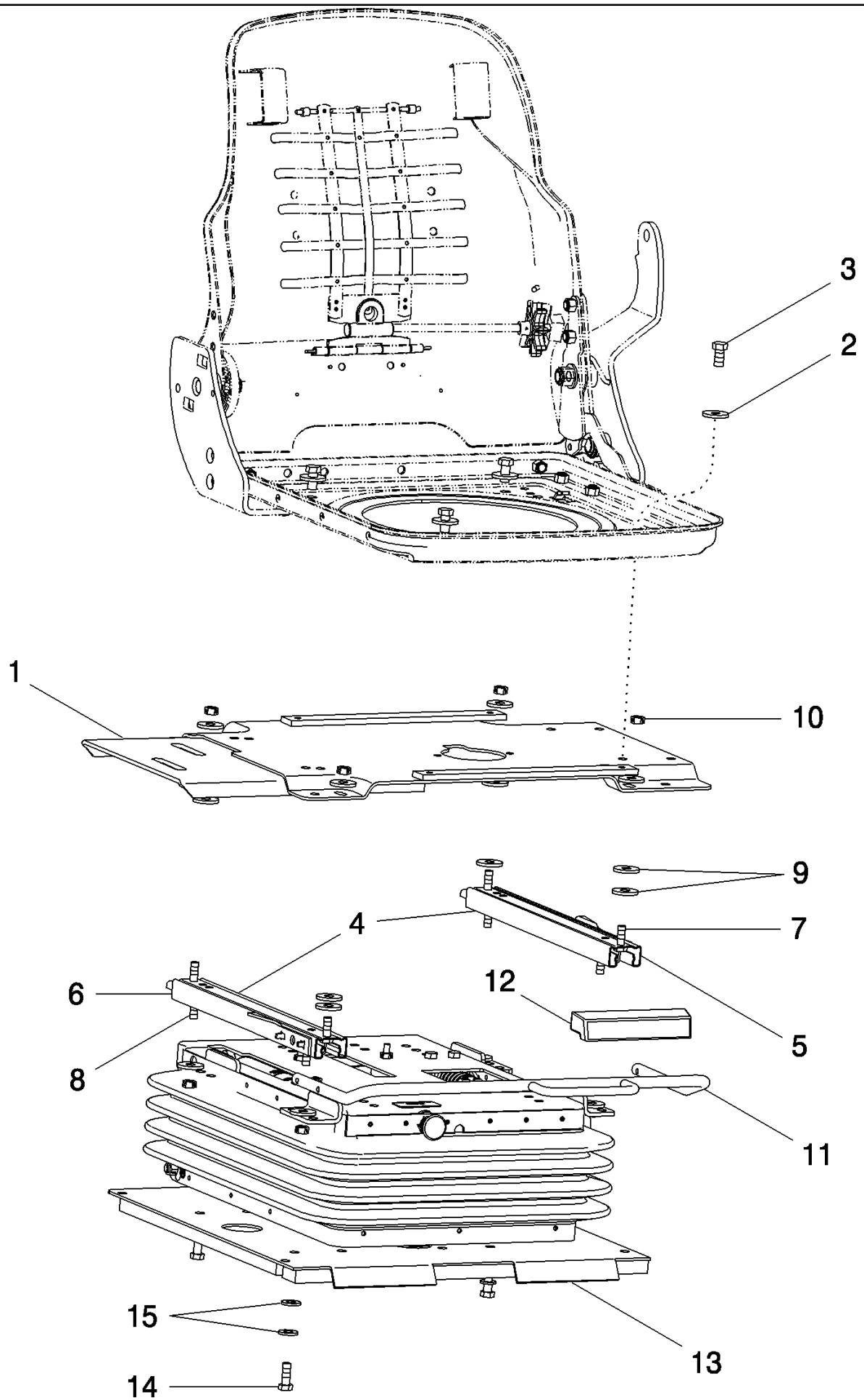
09G-10 SEAT, INSTRUCTIONAL - BELTS

Ref	Part Number	Qty	Description
1	224808A1	1	SEAT BELT,
2	224809A1	2	SUPPORT,
3	414-716	2	BOLT, Hex, 7/16"-20 x 1", G5, Full Thd,
4	495-81009	3	WASHER, .469" x 1" x .120",
5	231-5447	2	NUT, LOCK, Flg, 7/16"-20,
6	413-832	2	BOLT, Hex, 1/2"-13 x 2", G5,
7	425-108	2	NUT, 1/2"-13, G5,
8	224368A1	2	SPACER,
9	495-91167	2	WASHER, 17/32" x 2" x .120",
10	80679	2	WASHER, LOCK, 1/2",
11	353-410	1	PLUG, Dome, .875" hole, Nylon, (Not Shown)



09G-11 SEAT, OPERATOR - AIR SUSPENSION - CUSHIONS AND KNOBS

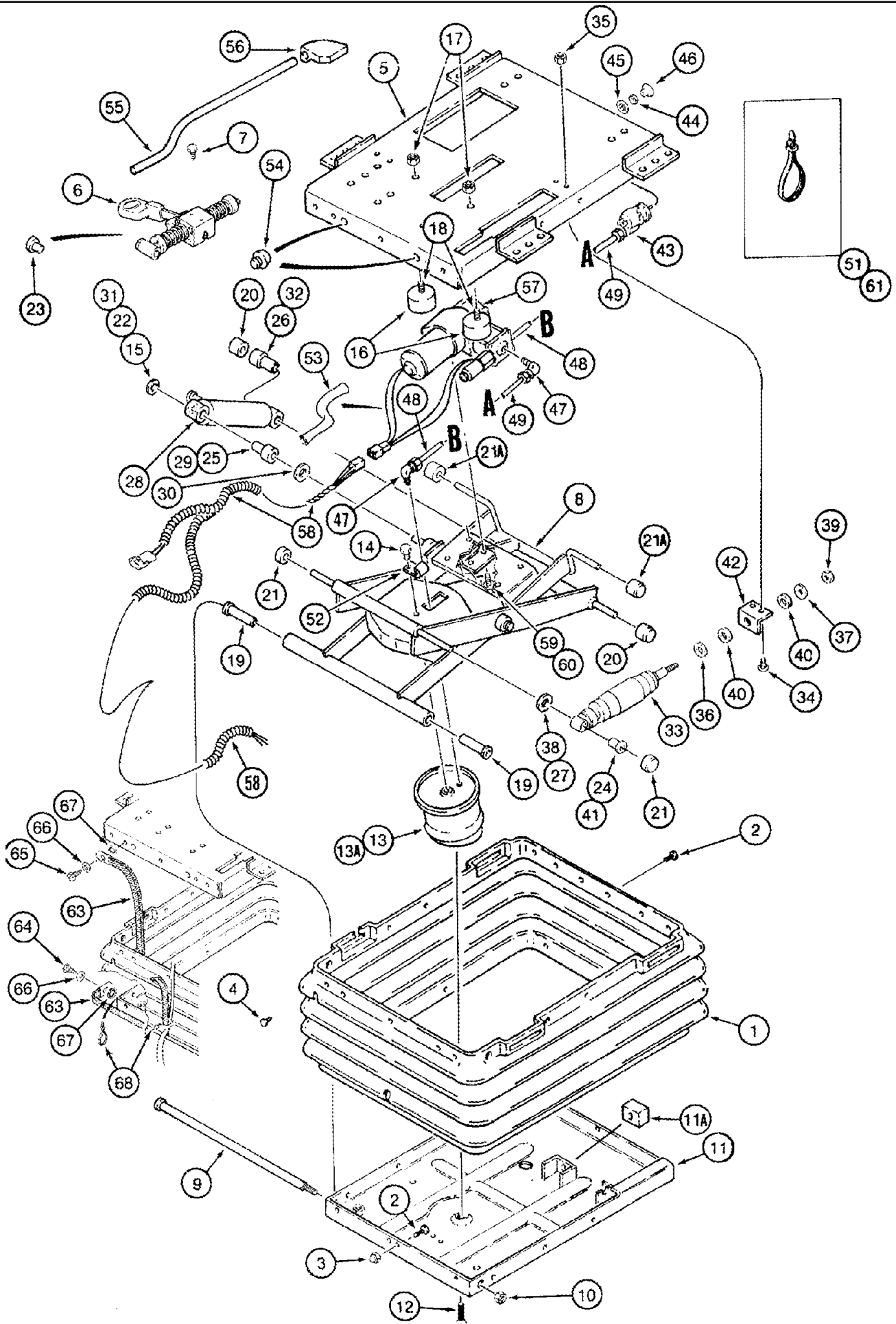
Ref	Part Number	Qty	Description
	86989910	1	SEAT, Inc. 1 - 22, Inc. Figure(s) 09G-12, 09G-13
1	87413044	1	SEAT, ASSY, Top, Inc. 2 - 22
2	87416485	1	KIT, Seat Top
3	87416486	1	CUSHION, SEAT, ASSY, Cushion, With Operator's Presence System
4	87416487	1	KIT, Back Cushion
5	87416490	1	KIT, Seat Belt, Inc. 6 - 14
6	279671A1	1	SEAT BELT,
7	87416920	1	PLATE, Seat Belt Mounting
8	815-12050	1	BOLT, Hex, M12 x 50, 8.8,
9	NSS	1	NOT SERVICED SEPARATELY, Spacer, Mounting Plate
10	615-10025	1	BOLT, Hex, M10 x 25, 8.8, Full Thd,
11	895-10010	1	WASHER, M10 x 20 x 2,
12	832-41410	1	NUT, LOCK, M10 x 1.5, CI 10,
13	613-12025	1	BOLT, Hex, M12 x 25, 8.8, Full Thd,
14	896-11012	1	WASHER, M13.5 x 24.5 x 3, HT,
15	87416488	1	KIT, Left Hand Armrest, Inc. 16 - 19
16	NSS	1	NOT SERVICED SEPARATELY, Armrest
17	854-12040	1	BOLT, Hex Flg, M12 x 40, 10.9,
18	395-11053	1	WASHER, 1/2",
19	832-10312	1	NUT, LOCK, M12 x 1.75, CI8,
20	86994172	1	KIT, SERVICE, KIT, Manual Holder, If Equipped
21	86994165	1	SEAT ACCESSORY, KIT, Recliner Service, (Not Shown)
22	87416475	1	KNOB, Recliner



09G-12 SEAT, OPERATOR - AIR SUSPENSION - PLATE AND SLIDES

Ref	Part Number	Qty	Description
	86989910	1	SEAT, Inc. 1 - 18, Inc. Figure(s) 09G-11, 09G-13
1	87413045	1	PLATE, Seat Adapter
2	1974732C1	4	WASHER,
3	413-612	4	BOLT, Hex, 3/8"-16 x 3/4", G5, Full Thd,
4	87416482	1	KIT, Locking Slides, Inc. 5 - 11
5	NSS	1	NOT SERVICED SEPARATELY, Slide Assy, Left Hand
6	NSS	1	NOT SERVICED SEPARATELY, Slide Assy, Right Hand
7	413-514	4	BOLT, Hex, 5/16"-18 x 7/8", G5, Full Thd,
8	117-109	4	BOLT, Sq Hd, 5/18"-16 x 3/4", G5,
9	1974732C1	16	WASHER,
10	231-5145	8	NUT, Flg, USR, 5/16"-18,
11	86994163	1	KIT, SERVICE, BAR, Fore / Aft Slide
12	180587A1	1	HANDLE, Knob
13	87413043	1	PLATE, Seat Mounting
14	614-8020	4	BOLT, Hex, M8 x 20, 8.8,
15	495-11034	4	WASHER, 5/16", SAE,
16	263-10610	1	SCREW, SELF TAPPING, Slotted Pan Hd, #12 x 5/8", (Not Shown)
17	492-11012	1	WASHER, LOCK, #12, (Not shown)
18	495-31022	1	WASHER, #10, (Not Shown)

09G-13 SEAT, OPERATOR - SUSPENSION

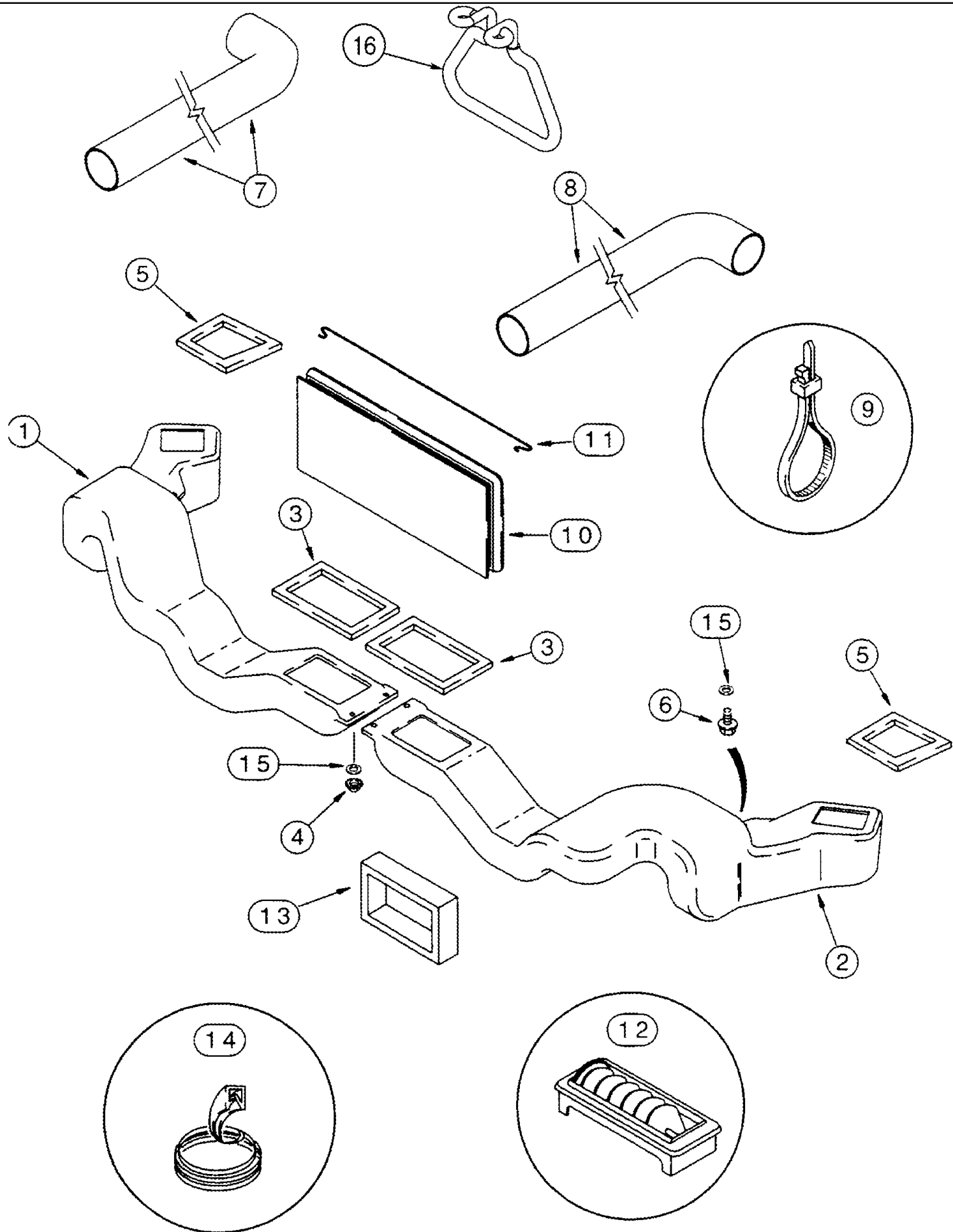


09G-13 SEAT, OPERATOR - SUSPENSION

Ref	Part Number	Qty	Description
	86989910	1	SEAT, Inc. 1 - 68, Inc. Figure(s) 09G-11, 09G-12
	1990647C2	1	KIT, Boot, Suspension, Inc. 1 - 4
1	NSS	1	NOT SERVICED SEPARATELY, Boot
	132872A1	1	KIT, Inc. 2 - 4
2	NSS	20	NOT SERVICED SEPARATELY, Fastener
3	NSS	3	NOT SERVICED SEPARATELY, Nut
4	NSS	3	NOT SERVICED SEPARATELY, Clip
	87416447	1	KIT, Suspension Service, Inc. 5 - 63
5	180591A1	1	PLATE, Upper
6	180592A1	1	SHOCK ABSORBER,
7	276-24812	2	SCREW, SELF TAPPING, Hex Hd, 5/16" x 3/4",
8	1990643C1	1	FRAME ASSY,
9	A49529	1	SHAFT,
10	231-4206	1	NUT, LOCK, 3/8"-16, GB,
11	226560A1	1	HOUSING, Lower, Also Order 132872A1, A45054
11A	A45054	1	BUMPER,
12	443-13812	1	SCREW, Cross Flat Hd, 3/8"-16 x 3/4",
	197793A1	1	SPRING, Inc. 13, 13A
13	NSS	1	NOT SERVICED SEPARATELY, Spring
13A	NSS	1	NOT SERVICED SEPARATELY, Clamp
14	413-68	1	BOLT, Hex, 3/8"-16 x 1/2", G5, Full Thd,
15	131-425	1	NUT, LOCK, Push, 1/2",
	180593A1	2	KIT, Bumper, Inc. 16 - 18
16	NSS	2	NOT SERVICED SEPARATELY, Bumper
17	231-1444	2	NUT, LOCK, 1/4"-20, GB,
18	340-12520	2	SCREW, Cross Pan Hd, 1/4"-20 x 1 1/4",
	180594A3	1	KIT, Rollers and Bearings, Inc. 19 - 27
19	NSS	2	NOT SERVICED SEPARATELY, Bushing
20	NSS	2	NOT SERVICED SEPARATELY, Roller
21	NSS	4	NOT SERVICED SEPARATELY, Roller
21A	NSS	2	NOT SERVICED SEPARATELY, Roller
22	131-425	1	NUT, LOCK, Push, 1/2",
23	NSS	1	NOT SERVICED SEPARATELY, Bearing, Pivot
24	NSS	1	NOT SERVICED SEPARATELY, Bearing, Pivot
25	NSS	1	NOT SERVICED SEPARATELY, Bearing, Pivot
26	NSS	1	NOT SERVICED SEPARATELY, Bearing, Pivot
27	NSS	1	NOT SERVICED SEPARATELY, Spacer
	1344250C2	1	KIT, Shock Absorber, Inc. 28 - 32
28	NSS	1	NOT SERVICED SEPARATELY, Shock Absorber
29	NSS	1	NOT SERVICED SEPARATELY, Bearing, Pivot
30	A45519	1	WASHER,
31	131-425	1	NUT, LOCK, Push, 1/2",
32	NSS	1	NOT SERVICED SEPARATELY, Bearing, Pivot

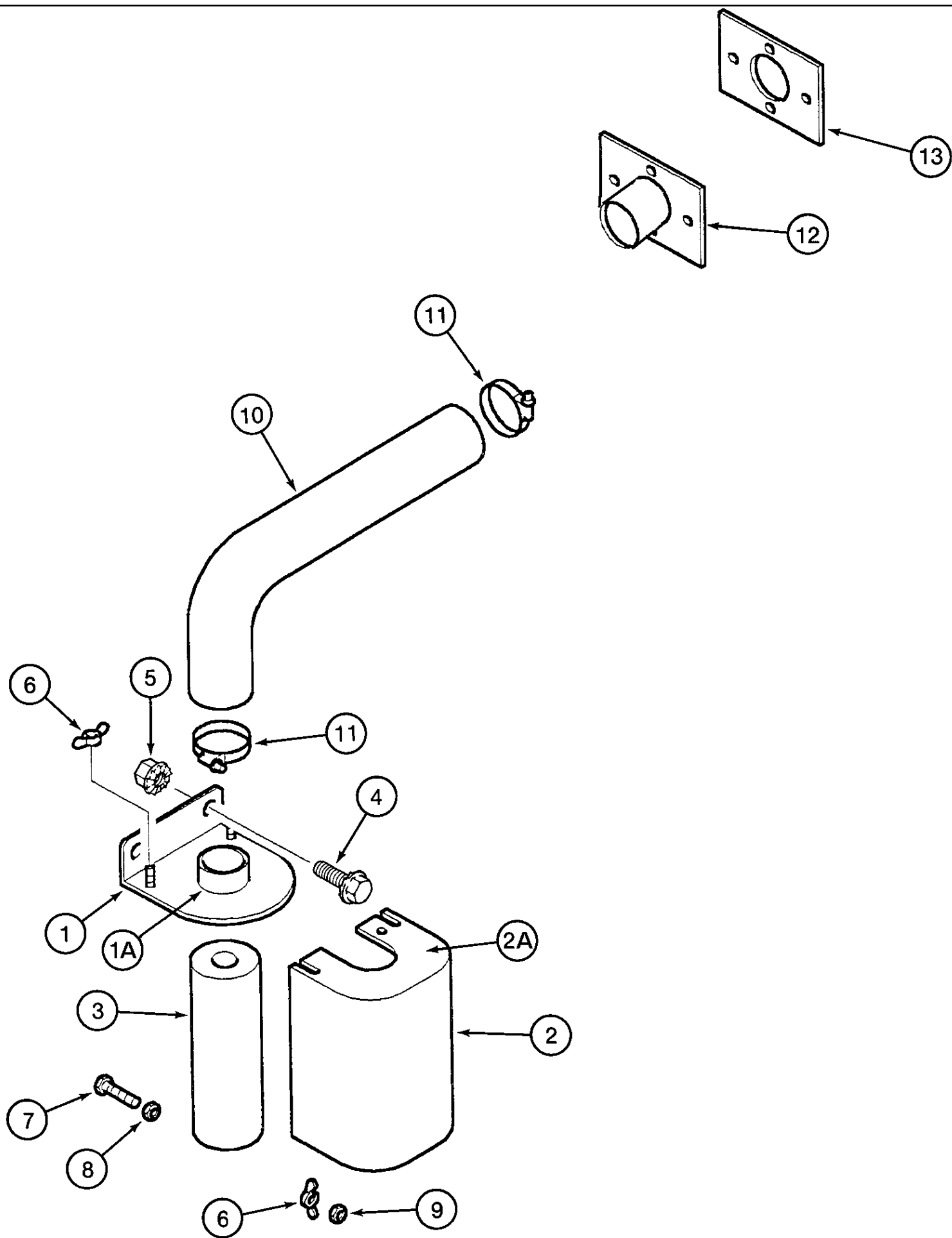
09G-13 SEAT, OPERATOR - SUSPENSION

Ref	Part Number	Qty	Description
	227546A1	1	KIT, Shock, Fore/Aft, Inc. 33 - 41
33	NSS	1	NOT SERVICED SEPARATELY, Shock Absorber
34	434-48	2	BOLT, CARRIAGE, Short NK, 1/4"-20 x 1/2", G5, Full Thd,
35	231-1444	2	NUT, LOCK, 1/4"-20, GB,
36	495-11041	2	WASHER, 3/8", SAE,
37	NSS	1	NOT SERVICED SEPARATELY, Washer
38	NSS	1	NOT SERVICED SEPARATELY, Spacer
39	230-4715	1	NUT, LOCK, 5/16"-24, GA,
40	A49679	2	BUSHING,
41	NSS	1	NOT SERVICED SEPARATELY, Bearing, Pivot
42	1981845C1	1	ANGLE,
	1981852C3	1	SWITCH, Air Control, Inc. 43 - 46
43	NSS	1	NOT SERVICED SEPARATELY, Switch
44	NSS	1	NOT SERVICED SEPARATELY, Nut
45	493-11065	1	WASHER, LOCK, Ext-Int Tooth, 5/8",
46	1987186C2	1	KNOB,
	1990548C4	1	KIT, Inc. 47 - 52
47	NSS	2	NOT SERVICED SEPARATELY, Elbow, 90
48	NSS	1	NOT SERVICED SEPARATELY, Tube
49	NSS	1	NOT SERVICED SEPARATELY, Tube
51	L18337	4	STRAP, CABLE, 9.95"-12.1" lg,
52	NSS	1	NOT SERVICED SEPARATELY, Clamp
53	179026A1	1	TUBE, PLASTIC-RUBBER, 3/8 ID x 24-1/4
54	133422A1	2	BUMPER,
55	180596A2	1	LEVER,
56	180597A2	1	HANDLE,
	358903A2	1	KIT, Compressor, Inc. 57 - 61
57	NSS	1	NOT SERVICED SEPARATELY, Compressor
58	87413247	1	HARNESS, WIRE,
59	495-31022	2	WASHER, #10,
60	440-1086	2	SCREW, Cross Pan Hd, #8-32 x 3/8",
61	L18337	6	STRAP, CABLE, 9.95"-12.1" lg,
	291280A1	1	KIT, Ground Strap, Inc. 63 - 68
63	NSS	1	NOT SERVICED SEPARATELY, Strap, Ground
64	NSS	1	NOT SERVICED SEPARATELY, Screw
65	NSS	1	NOT SERVICED SEPARATELY, Screw
66	NSS	2	NOT SERVICED SEPARATELY, Washer
67	NSS	2	NOT SERVICED SEPARATELY, Washer, Lock
68	NSS	2	NOT SERVICED SEPARATELY, Strap, Tie Down



09G-14 HEATER - AIR CONDITIONING - LOUVERS AND AIR DUCTS

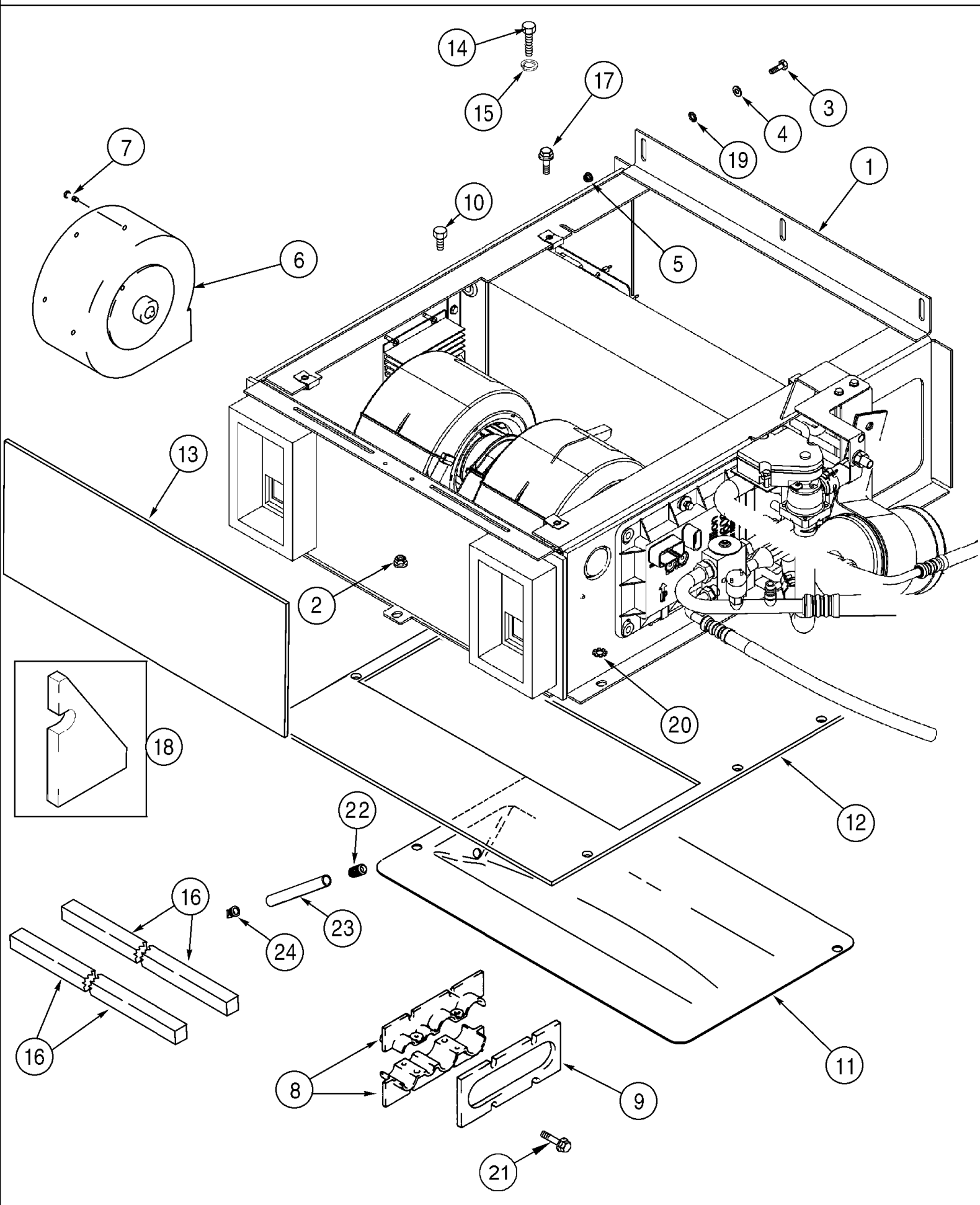
Ref	Part Number	Qty	Description
1	129225A2	1	DUCT, AIR, Left Hand
2	129227A2	1	DUCT, AIR, Right Hand
3	129228A4	2	GASKET,
4	231-51409	4	NUT, Flg, USR, #10-24,
5	196542A2	2	SEAL,
6	191216A1	6	SCREW, SELF TAPPING, Hex Wash Hd, #10-24 x 5/8",
7	380524A1	1	HOSE, 545 mm (21-1/2 in), Cut From 380526A1
8	383833A1	1	HOSE, 710 mm (28 in), Cut From 236559A1
9	58556C1	4	STRAP, CABLE, 14" Tie
10	120486A2	1	FILTER, Recirculation
11	143486A1	2	SUPPORT,
12	1990950C2	11	VENT,
13	124999A1	2	GASKET,
14	1545944C1	2	SEAL, 127 mm (5 in), Cut From 1330108CX
15	495-81101	6	WASHER, 7/32" x 3/4" x .060",
16	275432A1	1	GUIDE,



09G-15 HEATER - AIR CONDITIONING - CAB AIR CONDITIONING, EXTERIOR

Ref	Part Number	Qty	Description
1	243176A2	1	HOLDER, Inc. 1A
1A	243284A1	1	TUBE, Air
2	247720A3	1	COVER, Inc. 2A, 2B
2A	248130A1	1	COVER, End
2B	248131A2	1	SUPPORT, Shield, (Not Shown)
3	247752A1	1	FILTER, CAB,
4	409-7612	2	BOLT, Hex Flg, 3/8"-16 x 3/4", Serr,
5	231-5146	2	NUT, Flg, USR, 3/8"-16,
6	129-409	3	NUT, WING, 1/4"-20,
7	113-83	1	BOLT, Hex, 1/4"-20 x 1 1/2", G5, Full Thd,
8	425-104	1	NUT, 1/4"-20, G5,
9	231-1444	1	NUT, LOCK, 1/4"-20, GB,
10	380524A1	1	HOSE, 545 mm (21-1/2 in)
11	214-1540	2	CLAMP, HOSE, #40, 2.06/3.00 Type F Worm, W/liner,
12	246752A1	1	PLATE,
13	247058A1	1	GASKET,

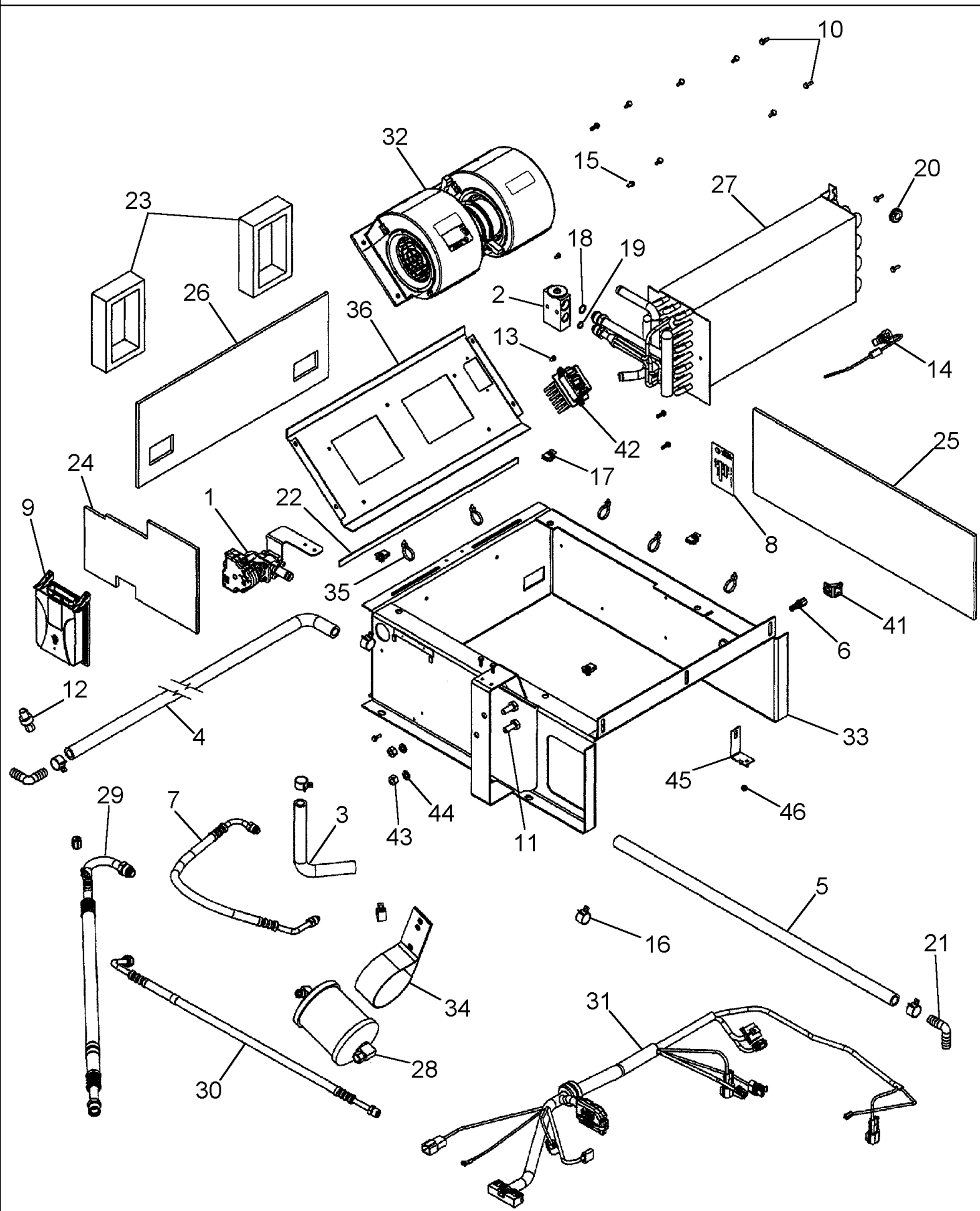
09G-16 HEATER - AIR CONDITIONING



09G-16 HEATER - AIR CONDITIONING

Ref	Part Number	Qty	Description
1	431088A2	1	HEATER UNIT, Air Conditioning BSN HAJ0295001, See Figure 09G-17
1	87313891	1	HEATER UNIT, Air Conditioning ASN HAJ0295001
2	825-5148	6	NUT, M8, Flg Ser,
3	117067A1	3	SCREW, SELF TAPPING, Cross Pan Hd, #10-24 x 3/4",
4	492-11010	3	WASHER, LOCK, #10,
5	231-51409	3	NUT, Flg, USR, #10-24,
6	87107380	1	BLOWER, Cab Pressurizer
7	840-1516	5	SCREW, Cross Pan Hd, M5 x 16,
8	125264A2	2	CLAMP,
9	125000A2	1	GASKET,
10	191216A1	4	SCREW, SELF TAPPING, Hex Wash Hd, #10-24 x 5/8",
11	121595A2	1	HOUSING, Drip Pan
12	279438A1	1	INSULATOR, Center Floor
13	279305A2	1	INSULATOR, Rear Wall
14	276-13520	4	SCREW, SELF TAPPING, Hex Hd, #10 x 1 1/4",
15	492-11010	4	WASHER, LOCK, #10,
16	192269A1	2	FOAM, 500 mm (19-5/8 in), Cut From 1971350C1
17	458-512	4	BOLT, Hex Flg, 5/16"-18 x 3/4", G5, Full Thd,
18	297573A1	1	SEAL,
19	493-81000	3	WASHER, LOCK, Ext-Int Tooth, #10,
20	493-11039	1	WASHER, LOCK, 3/8", Int-Ext Tooth,
21	191216A1	10	SCREW, SELF TAPPING, Hex Wash Hd, #10-24 x 5/8",
22	1250522C3	2	ELBOW, Drain
23	122116A1	2	HOSE, 75 in, Cut From 198901C1
24	109239C2	2	VALVE,

09G-17 BOX ASSY - AIR CONDITIONING



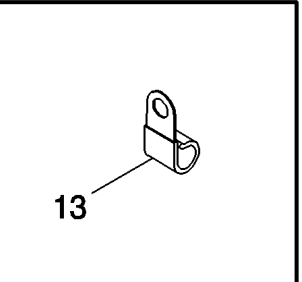
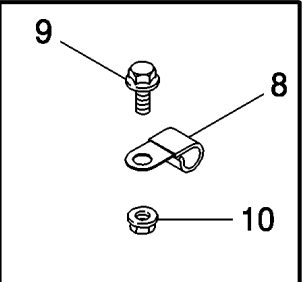
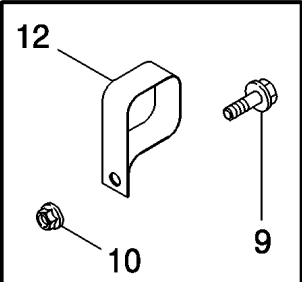
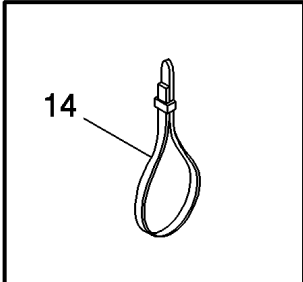
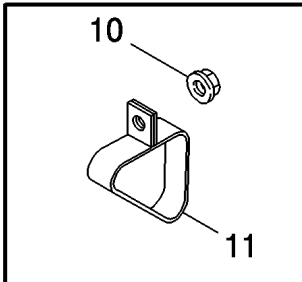
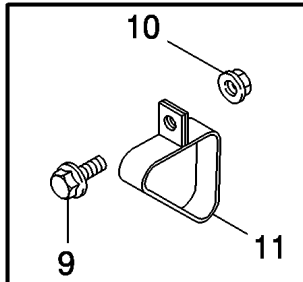
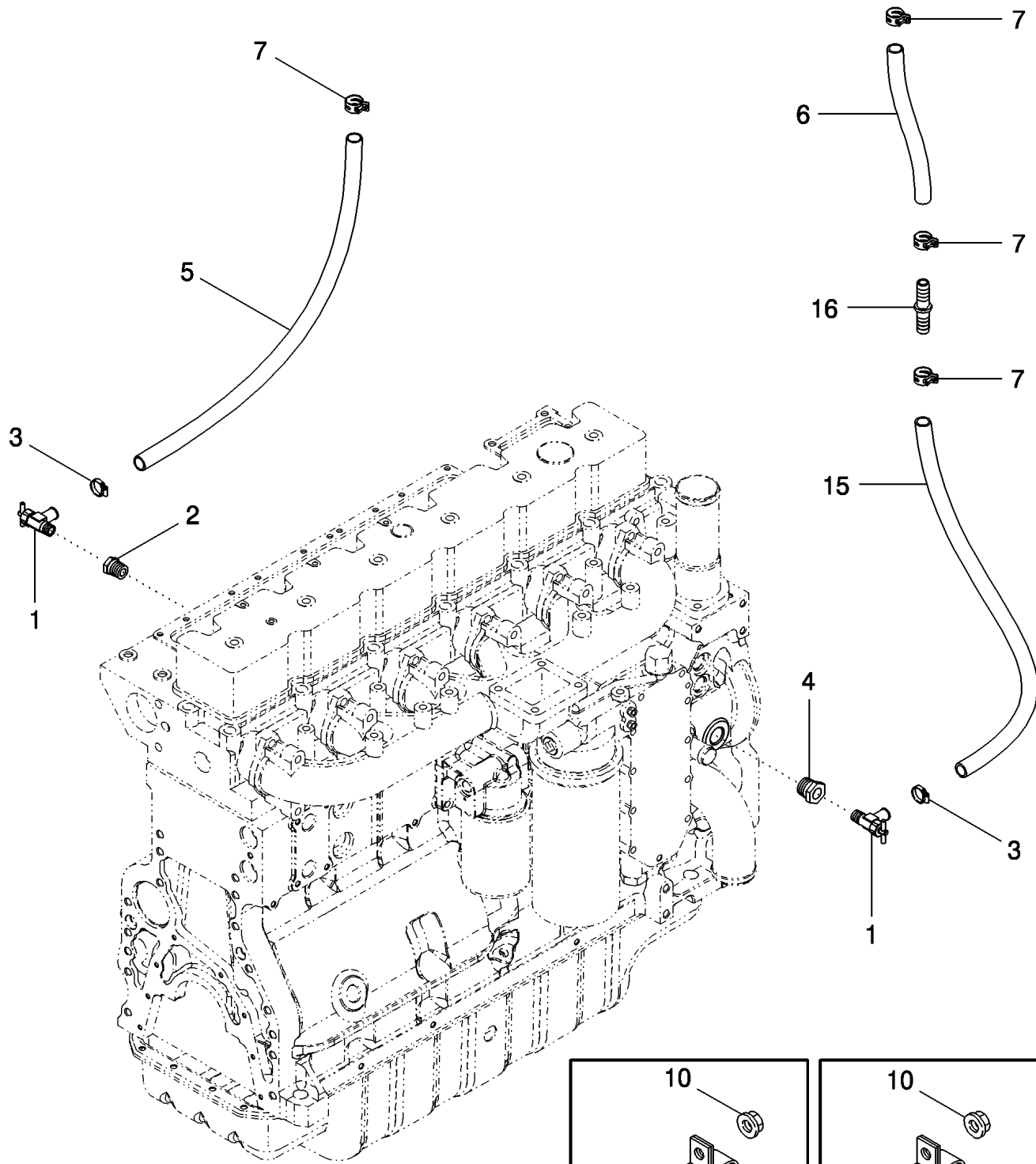
09G-17 BOX ASSY - AIR CONDITIONING

Ref	Part Number	Qty	Description
	87313891	1	HEATER UNIT, Air Conditioning, Inc. 1 - 46, BSN HAJ301330
	87673824	1	HEATER UNIT, Air Conditioning, Inc. 1 - 46, ASN HAJ301330
1	87333840	1	VALVE, Control, Heater
	449221A1	1	BODY, Core Assembly, Inc 2,18,19,27
2	386535A1	1	VALVE, Thermal Expansion, Not Serviced Separately, Order 449221A
3	377547A1	1	HOSE, Valve to Core
4	377551A1	1	HOSE, Return
5	1958774C1	1	HOSE, 710 mm (28 in), Cut From 97252CX
6	87454442	1	SENSOR, Cab Temperature
7	124912A2	1	HOSE, 540 mm (21- 1/4 in)
8	NSS	1	NOT SERVICED SEPARATELY, Plate, Decal Name, Kysor Logo
9	87314291	1	MODULE, ATC, with Software Loaded, BSN HAJ301330
9	87365492	1	MODULE, ATC, ASN HAJ301330
10	281-54510	15	SCREW, SELF TAPPING, Hex Wash Hd, #10 x 5/8",
11	614-10025	2	BOLT, Hex, M10 x 25, 8.8, Full Thd,
12	87323829	1	SWITCH, PRESSURE, Low Pressure, Air Conditioning
13	260-1448	2	SCREW, SELF TAPPING, Cross Pan Hd, #8 x 1/2",
14	184720A2	1	SENSOR, Temperature, Evaporator
15	87333919	1	SCREW, Taplite Slot
16	1954736C1	6	CLAMP, HOSE, No. 24
17	488837C1	4	NUT, 5/16
18	128485A1	1	O-RING, 9/16 ID x 1/16, Not Serviced Separately, Order 449221A
19	128484A1	1	O-RING, 7/16 ID x 1/16, Not Serviced Separately, Order 449221A
20	248-1243	1	GROMMET, 1/2" ID x 13/16" Groove Dia, Diag Cut,
21	127083A1	2	ELBOW,
22	377566A1	1	GASKET, 3 ft
23	124999A1	2	GASKET,
24	87333847	1	INSULATION, FOAM, Left Hand
25	279230A2	1	INSULATOR, Right Hand
26	279233A1	1	INSULATOR, Front
27	377560A1	1	CORE-COMPRESSOR, Evaporator And Heater, Not Serviced Separately, Order 449221A
28	1990758C2	1	RECEIVER-DRYER,
29	124913A2	1	HOSE, 900 mm (35-7/16 in)
30	124914A1	1	HOSE, 662 mm (26-1/8 in), Receiver-Dryer to Cab Wall
31	87333848	1	HARNES, WIRE, Heating and Air Conditioning
32	323610A1	1	BLOWER,
33	87333857	1	BOX, Air Conditioning Module
34	377562A1	1	BRACKET, Receiver-Drier
35	702093C1	5	STRAP, CABLE,
37	377559A1	2	STRAP,
38	377567A1	1	SEAL, 8 ft, (Not Shown)
40	1978896C1	4	STRAP, 30.6" Tie-down, (Not Shown)
41	87318294	1	CLIP, Sensor

09G-17 BOX ASSY - AIR CONDITIONING

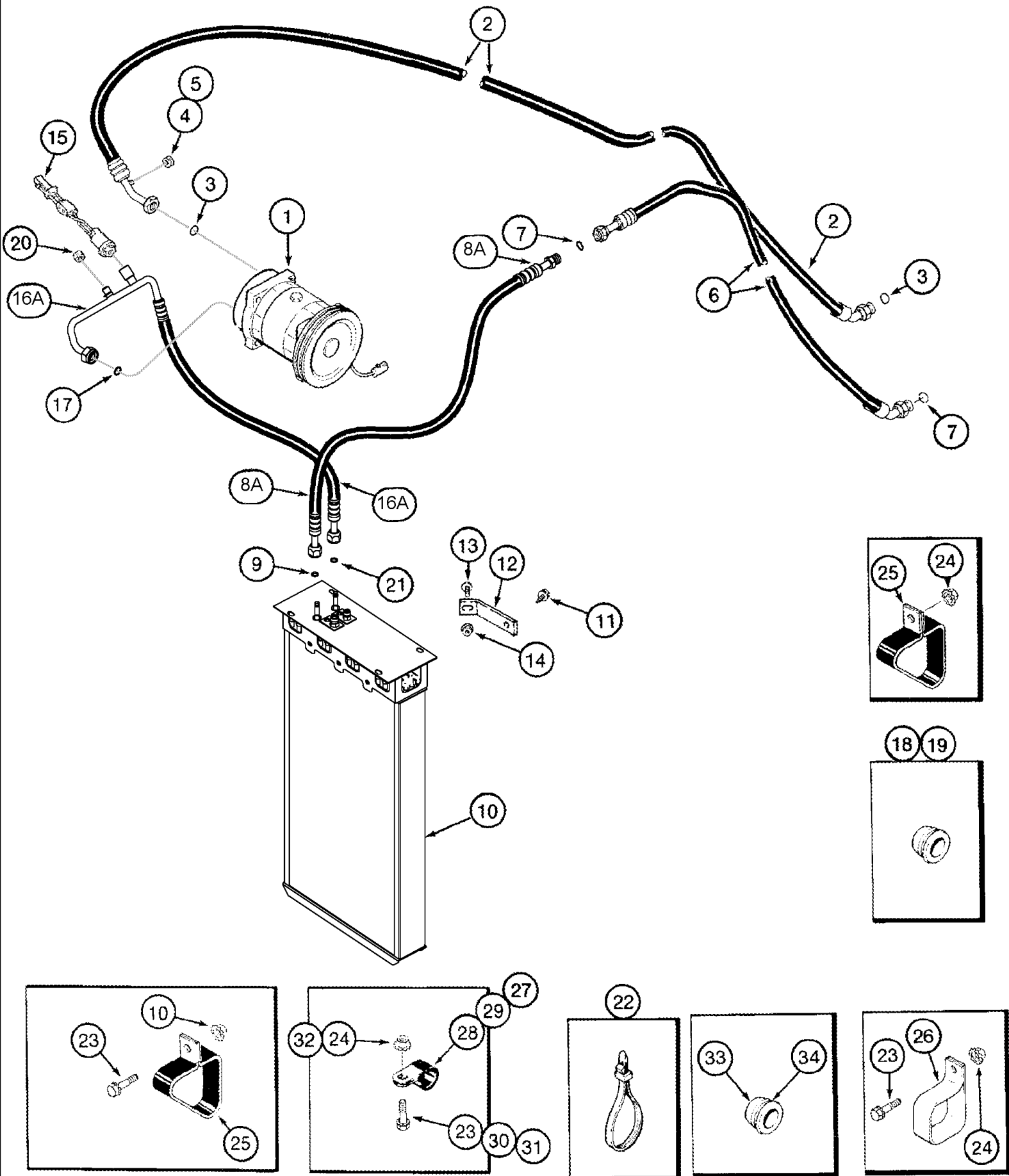
Ref	Part Number	Qty	Description
42	87306706	1	TERMINAL CONNECTOR, Blower Motor
43	829-1410	2	NUT, M10, CI 10,
44	892-11010	2	WASHER, LOCK, M10,
45	87351204	1	BRACKET, Sensor
46	231-14408	1	NUT, LOCK, #8-32, GB,

09G-18 HEATING SYSTEM - CAB/CHASSIS CONNECTIONS TO ENGINE



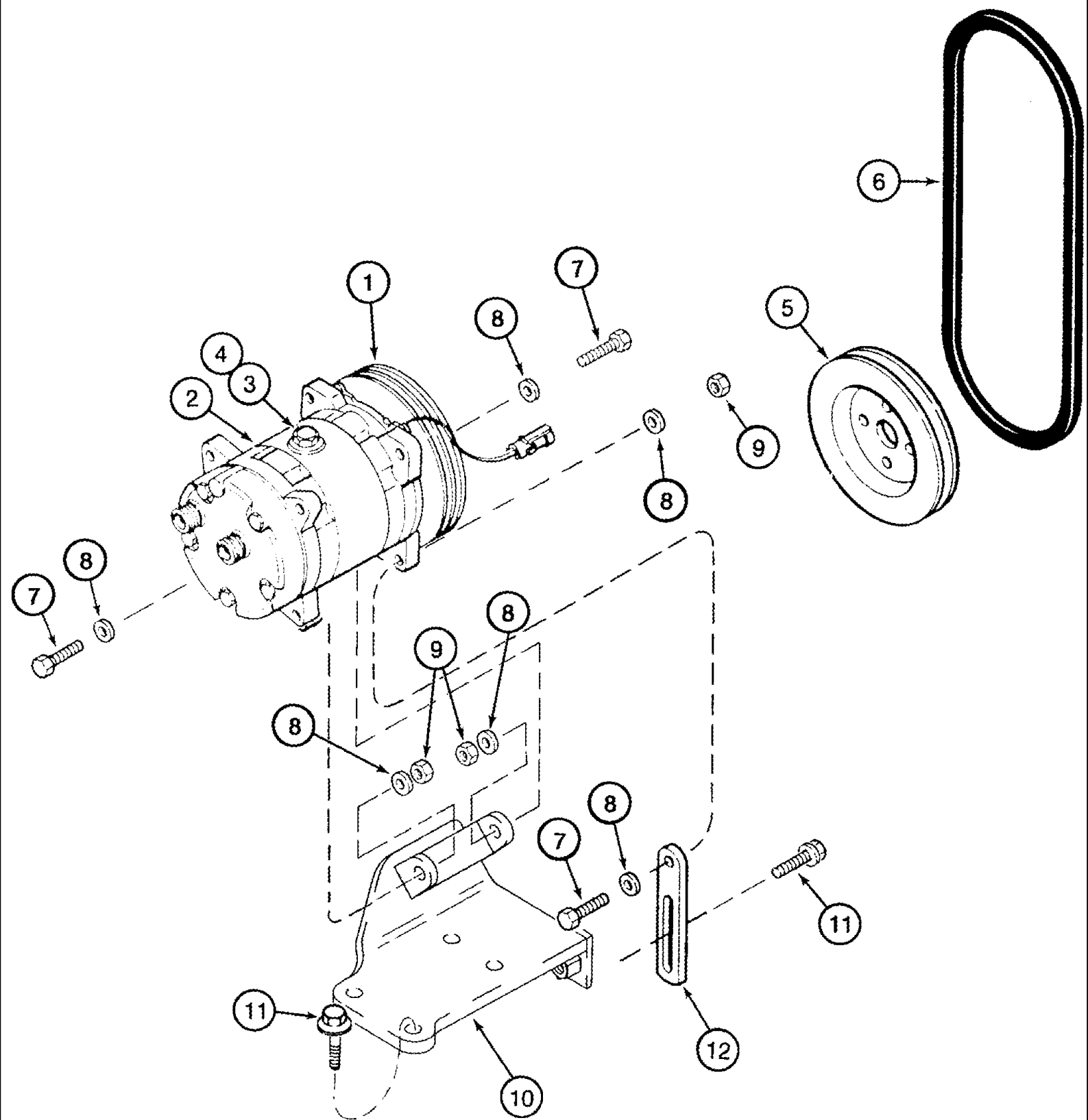
09G-18 HEATING SYSTEM - CAB/CHASSIS CONNECTIONS TO ENGINE

Ref	Part Number	Qty	Description
1	301803R1	2	VALVE, SHUT-OFF,
2	217-44	1	REDUCER, 1/2"-14 NPTF x 3/8"-18 Fem NPTF,
3	1954736C1	2	CLAMP, HOSE, No. 24
4	221-92	1	REDUCER, Hex, 3/4" x 3/8" NPT,
5	87106559	1	HOSE (METRES), 4470 mm (176 in) Cut From 97252CX
6	1324999C2	1	HOSE, 6731 mm (265 in), Cut From 97252CX
7	1954736C1	4	CLAMP, HOSE, No. 24
8	515-23412	1	CLAMP, 1 5/8", Insul, 3/8" Bolt,
9	409-7512	3	BOLT, Hex Flg, 5/16"-18 x 3/4", Serr,
10	231-5145	5	NUT, Flg, USR, 5/16"-18,
11	1994983C2	3	CLAMP,
12	1301387C2	5	CLIP, 2 in ID
13	515-23254	1	CLAMP, 1", Insul, 3/8" Bolt,
14	306132C1	AR	STRAP, CABLE, .30" x 14.5", tie, 14 in
15	1975734C1	1	HOSE, 255 mm (10 in), Cut From 97252CX
16	1301342C1	1	FITTING, Connector



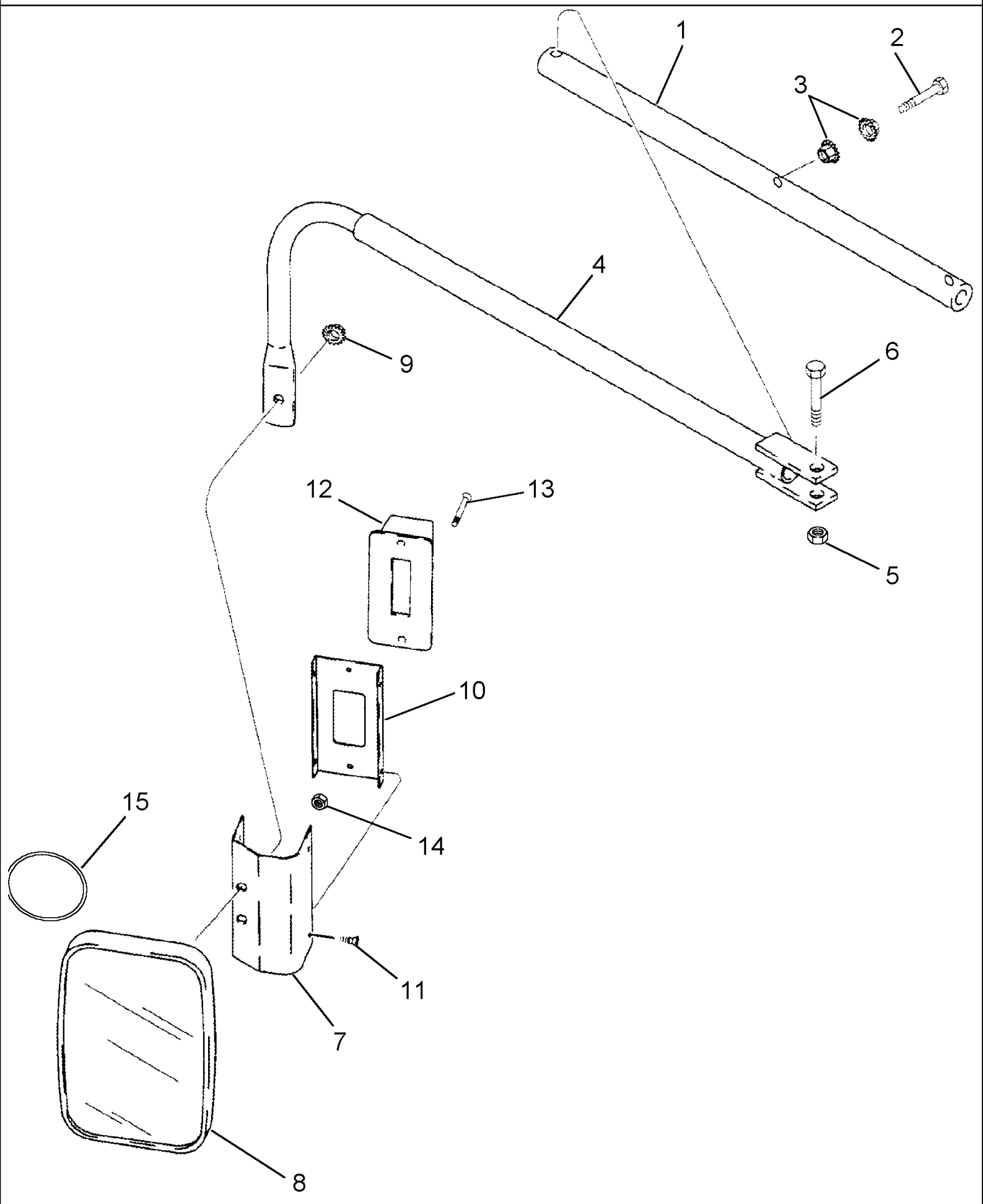
09G-19 HEATER - AIR CONDITIONING - COMPRESSOR TO CONDENSER AND CAB/CHASSIS CONNECTIONS

Ref	Part Number	Qty	Description
1	86993462	1	COMPRESSOR, AIRCOND, , See Figure 09G-20
2	279158A1	1	HOSE, Inc. 3 - 5
3	128485A1	2	O-RING, 9/16 ID x 1/16
4	1250594C1	1	CORE,
5	122553A1	1	CAP,
6	279159A1	1	HOSE, Inc. 7
7	128483A1	2	O-RING, 5/16 ID x 1/16
8	87403249	1	HOSE, Outlet, Inc. 9
9	128483A1	1	O-RING, 5/16 ID x 1/16
10	444922A3	1	COOLER, Condenser
11	138558A1	4	SCREW, 5/16 x 13/16
12	197432A1	2	SUPPORT,
13	477-73112	2	BOLT, Slotted Tr Hd, 5/16"-18 x 3/4",
14	231-5145	2	NUT, Flg, USR, 5/16"-18,
15	369798A2	1	SWITCH, High Pressure
16	87403250	1	HOSE, Compressor to Condenser, Inc. 16A - 21
16A	414082A1	1	CORE, Valve, High Flow, (Not Shown)
17	128485A1	1	O-RING, 9/16 ID x 1/16
18	1250594C2	1-2	CORE,
19	128483A1	1	O-RING, 5/16 ID x 1/16
20	414080A1	1	CAP,
21	128484A1	1	O-RING, 7/16 ID x 1/16
22	702093C1	AR	STRAP, CABLE,
22	306132C1	AR	STRAP, CABLE, .30" x 14.5", 14" TIE
22	L18331	AR	STRAP, CABLE, 15"
23	409-7516	2	BOLT, Hex Flg, 5/16"-18 x 1", Serr,
23	409-7520	2	BOLT, Hex Flg, 5/16"-18 x 1 1/4", Serr,
24	231-5145	5	NUT, Flg, USR, 5/16"-18,
25	1994983C2	3	CLAMP,
26	1301387C2	4	CLIP, 2 in ID
27	470375C1	2	CLAMP,
28	515-25476	5	CLAMP, 1 7/8", Insul, 1/2" Bolt,
29	515-23333	1	CLAMP, 1 5/16", Insul, 3/8" Bolt,
30	905-10020	1	BOLT, Hex Serr Flg, M10 x 20,
31	409-7616	4	BOLT, Hex Flg, 3/8"-16 x 1", Serr,
32	231-5146	4	NUT, Flg, USR, 3/8"-16,
33	87107420	AR	GROMMET, 5/8 ID
34	86976974	AR	GROMMET, 3/4 ID

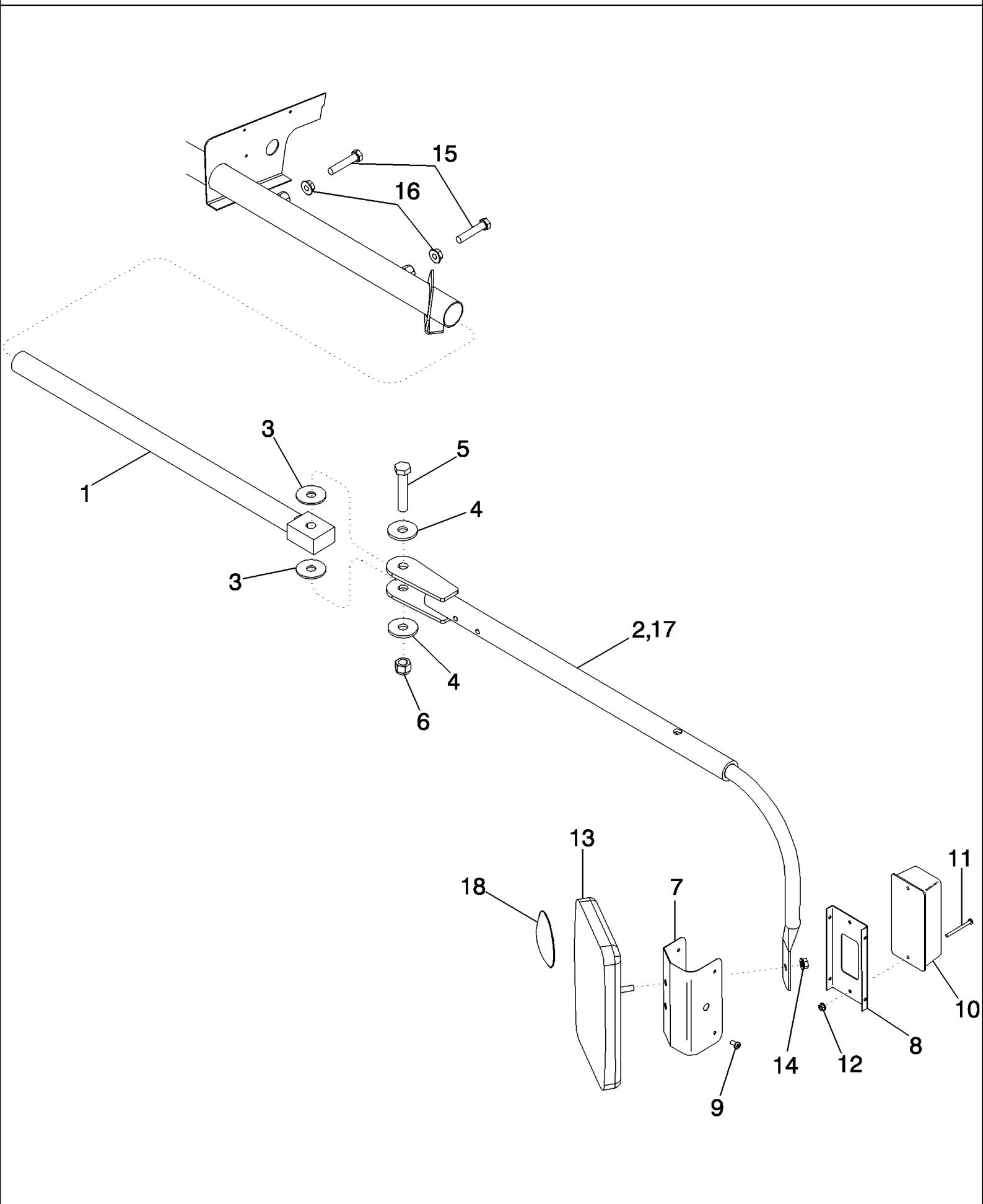


09G-20 AIR CONDITIONING - COMPRESSOR MOUNTING AND DRIVE

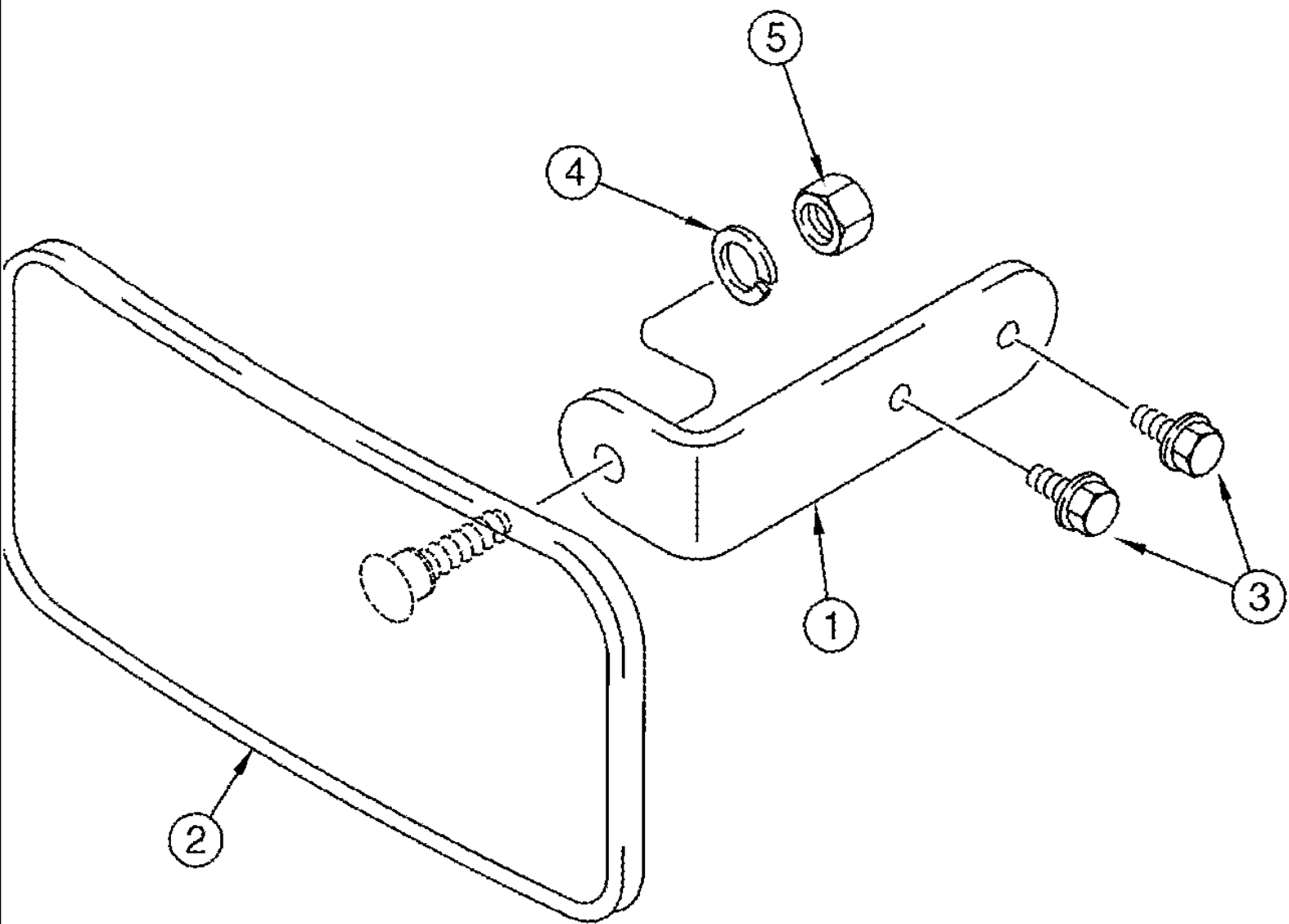
Ref	Part Number	Qty	Description
	86993462	1	COMPRESSOR, AIRCOND, Inc. 1 - 4
1	135324A2	1	CLUTCH,
2	NSS	1	NOT SERVICED SEPARATELY, Compressor
3	A49667	1	PLUG,
4	128483A1	1	O-RING, 5/16 ID x 1/16
5	431716A1	1	PULLEY, Drive
6	87311867	1	BELT, Used with 86993462
7	614-10035	3	BOLT, Hex, M10 x 35, 8.8, Full Thd,
8	896-15010	6	WASHER, M10 x 24.5 x 3, HT,
9	86512554	3	NUT, LOCK, M10 x 1.5, CI 10,
10	87000275	1	BRACKET,
11	905-10025	5	BOLT, Hex Serr Flg, M10 x 25,
12	87000300	1	BRACKET,



Ref	Part Number	Qty	Description
1	178325A2	2	TUBE,
2	614-12060	4	BOLT, Hex, M12 x 60, 8.8, Full Thd,
3	825-51412	4	NUT, M12, Flg Ser,
4	87314047	1	SUPPORT, Left Hand (Shown)
4	87314046	1	SUPPORT, Right Hand (Not Shown)
5	825-1412	2	NUT, M12, CI 8,
6	9706717	2	BOLT, Hex, M12 x 70, 8.8, Full Thd,
7	291911A1	2	SUPPORT,
8	1283403C1	2	MIRROR,
9	122379A1	2	NUT, 3/8
10	127960A1	2	SUPPORT,
11	1321447C1	8	SCREW, SELF TAPPING, Cross Pan Hd, 1/4"-20 x 1/2",
12	107324C91	2	LAMP BASE, , See Figure 04-30
13	1974614C2	4	SCREW, SELF TAPPING, Cross Pan Hd, #10-24 x 2 1/4",
14	231-51409	4	NUT, Flg, USR, #10-24,
15	87564375	1	MIRROR, Right Hand Only

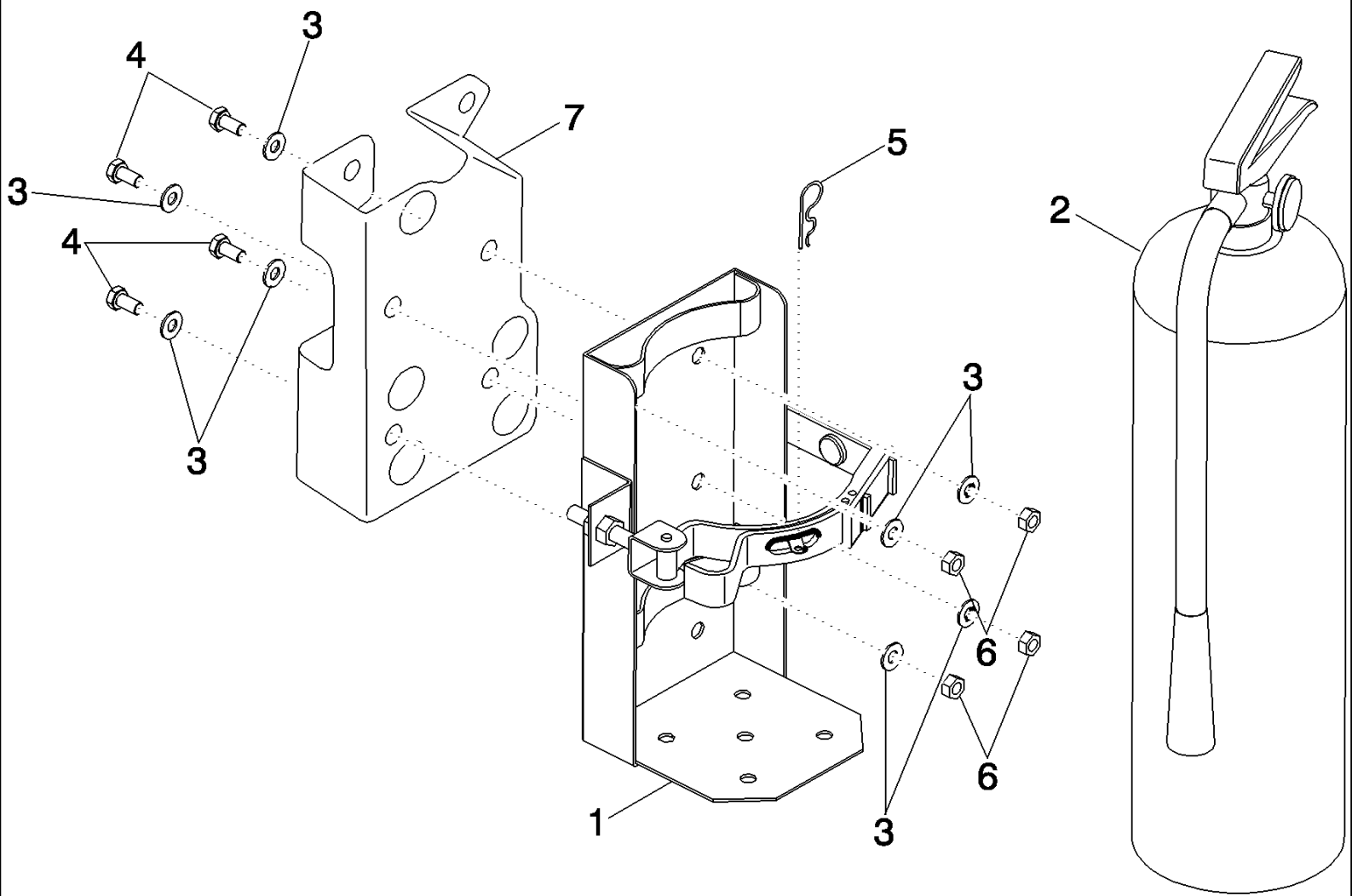


Ref	Part Number	Qty	Description
1	87617888	2	SUPPORT ASSY., Inner Mirror Bar Weldment
2	87617949	1	SUPPORT ASSY., Outer Mirror Weldment, Left Hand
3	87646316	4	WASHER, Mirror Pivot Friction
4	495-81030	4	WASHER, 21/32" x 2" x .179",
5	827-16080	2	BOLT, Hex, M16 x 80, 10.9,
6	412066	2	NUT, LOCK, M16 x 2, Cl 8,
7	291911A1	2	SUPPORT, Flasher Light
8	127960A1	2	SUPPORT, Flasher Light
9	1321447C1	8	SCREW, SELF TAPPING, Cross Pan Hd, 1/4"-20 x 1/2",
10	107324C91	2	LAMP BASE, Warning
11	1974614C2	4	SCREW, SELF TAPPING, Cross Pan Hd, #10-24 x 2 1/4",
12	231-51409	4	NUT, Flg, USR, #10-24,
13	1283403C1	2	MIRROR,
14	122379A1	2	NUT,
15	614-12060	4	BOLT, Hex, M12 x 60, 8.8, Full Thd,
16	825-51412	4	NUT, M12, Flg Ser,
17	87617911	1	SUPPORT ASSY., Outer Mirror Weldment, Right Hand
18	87564375	1	MIRROR,



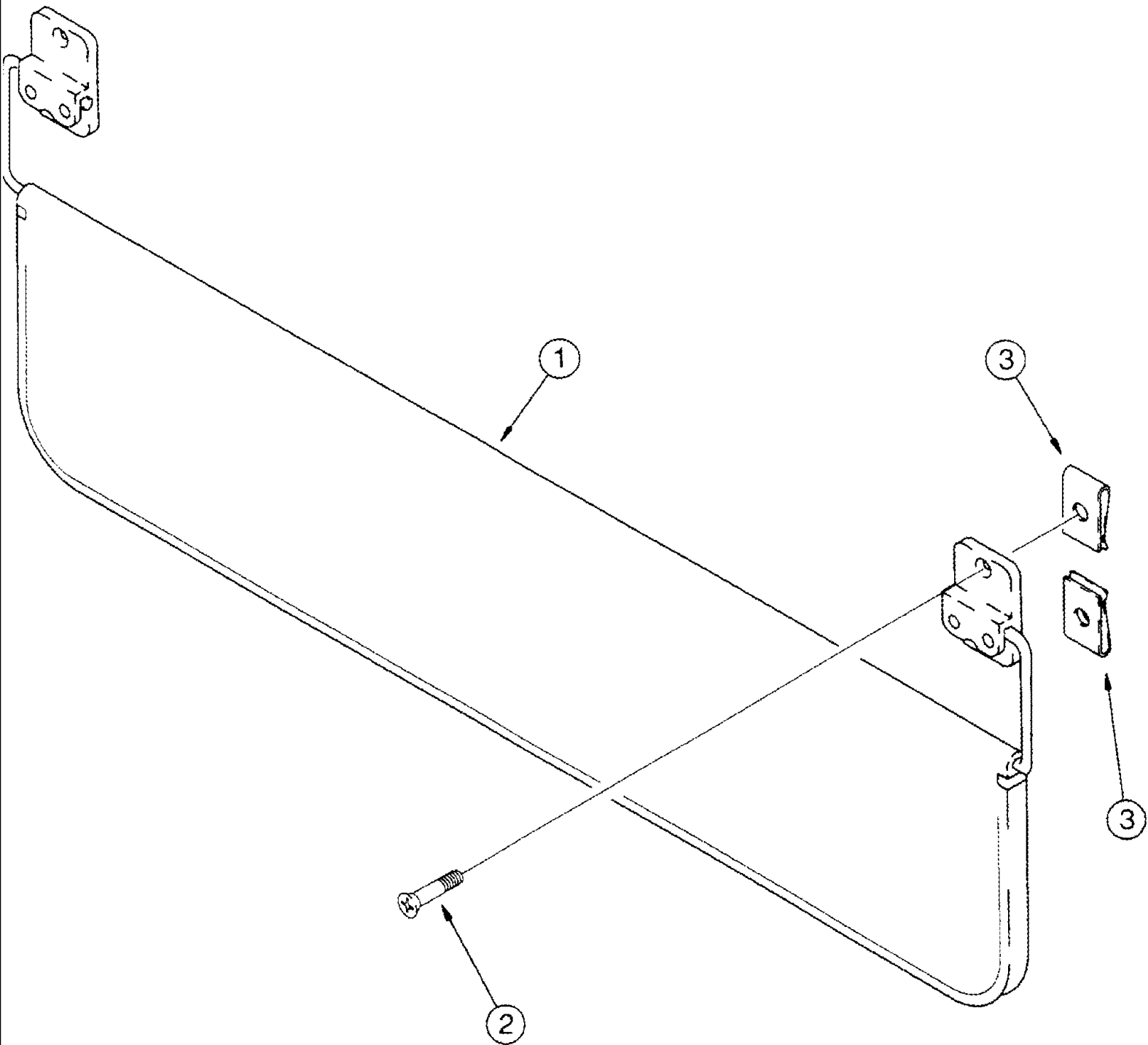
09G-23 CAB - MIRROR, REAR VIEW - INTERIOR

Ref	Part Number	Qty	Description
1	242570A1	1	BRACKET,
2	A177462	1	MIRROR,
3	191216A1	2	SCREW, SELF TAPPING, Hex Wash Hd, #10-24 x 5/8",
4	492-11031	1	WASHER, LOCK, 5/16",
5	425-105	1	NUT, 5/16"-18, G5,



09G-24 FIRE EXTINGUISHER

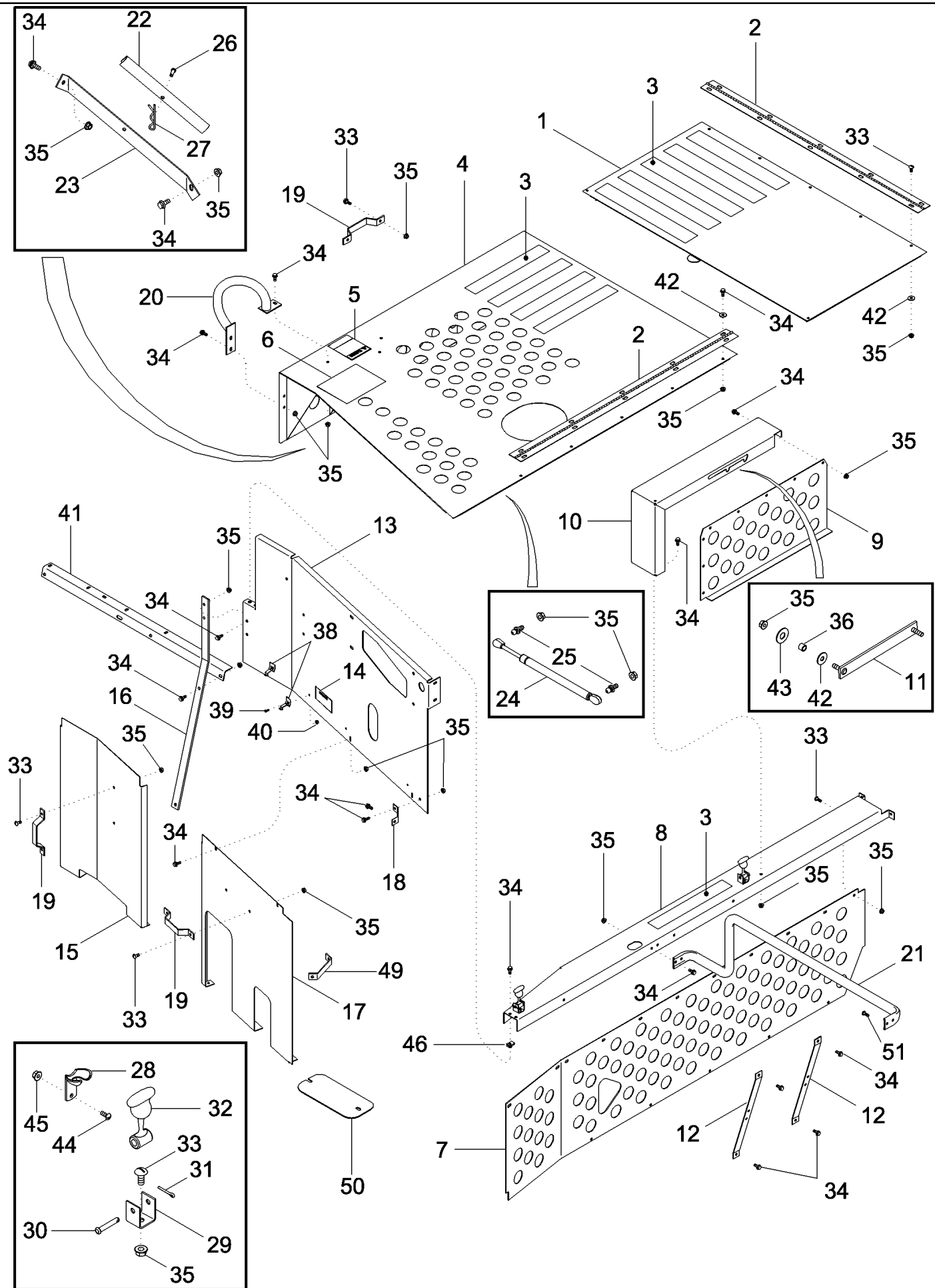
Ref	Part Number	Qty	Description
1	87414154	2	BRACKET, Fire Extinguisher
2	87414153	2	FIRE EXTINGUISHER, 10 lb.
3	322358	16	WASHER, SPRING, Belleville, M8,
4	120103	8	BOLT, Hex, M8 x 16, 8.8,
5	216698	2	PIN, SPLIT (COTTER),
6	9706690	8	NUT, M8, CI 8,
7	87640600	1	BRACKET, Ladder Fire Extinguisher Mount
8	87282419	1	KIT, WHEEL BEARING, Fire Extinguisher



09G-25 SUNVISOR

Ref	Part Number	Qty	Description
1	123452A1	1	VISOR, SUN,
2	260-16524	4	SCREW, SELF TAPPING, Cross Pan Hd, #10 x 1 1/2",
3	60-6708T1	4	NUT, SPECIAL,

09H-01 ENGINE SHIELDS AND SERVICE DECK



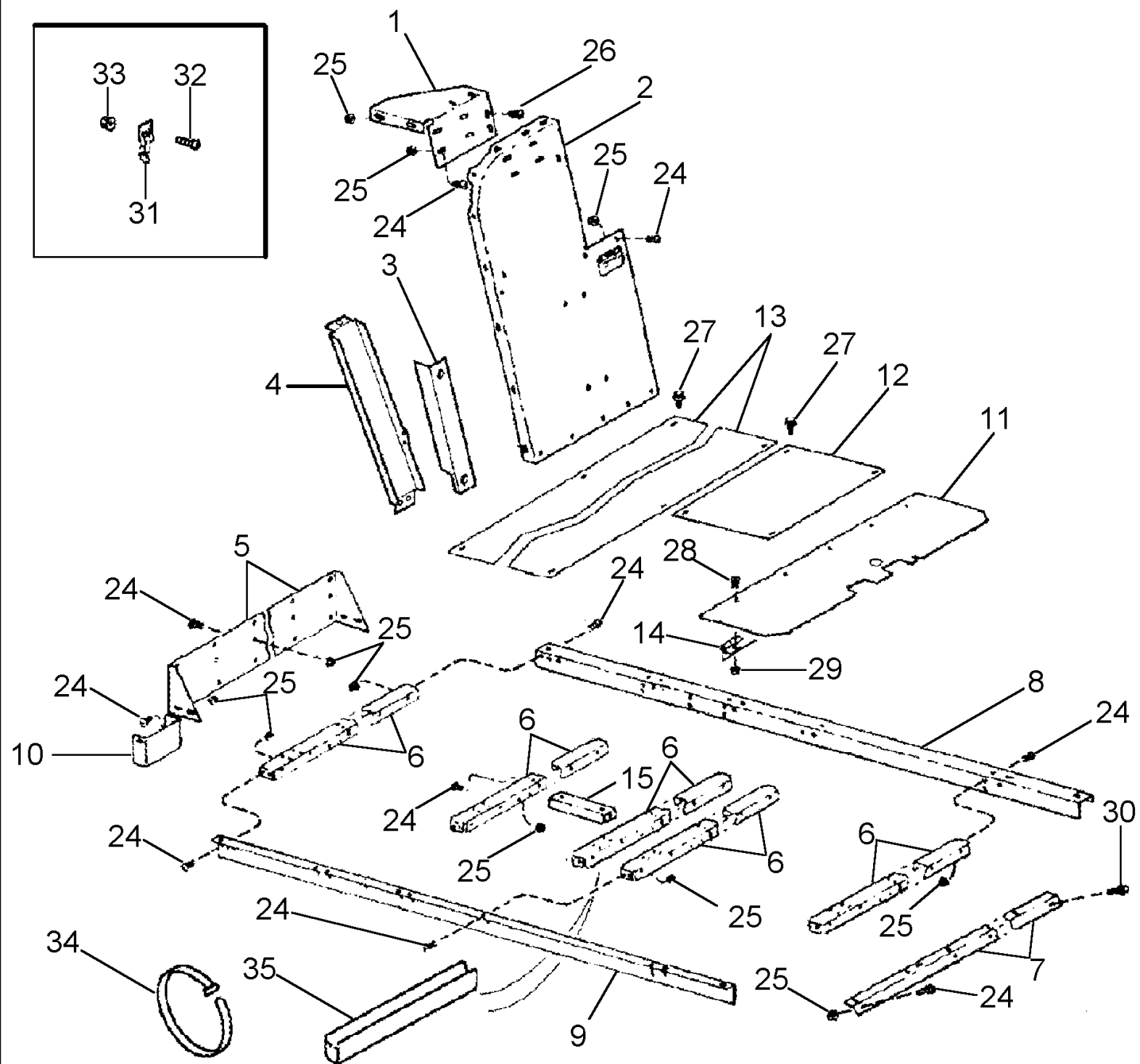
09H-01 ENGINE SHIELDS AND SERVICE DECK

Ref	Part Number	Qty	Description
1	87306863	1	DOOR Rotor Cover
2	442774A2	2	HINGE,
3	D80270	8	STRIP, Non-Slip, 635 mm (25 in) x 51 mm (2 in)
4	87343628	1	DOOR, Engine Cover, BSN HAJ303001
4	87713739	1	DOOR, Engine Cover, ASN HAJ303001
5	181597A1	1	DECAL, Warning
6	435798A1	1	DECAL, Top Lube Fittings
7	87362502	1	SHIELD, Service Deck
8	87547222	1	CHANNEL, Door and Hood Support, Left Hand
9	451545A2	1	SHIELD, Rotor Drive Cover
10	444055A2	1	CHANNEL, Upper
11	1302413C1	1	PROP, Door Hold-Up
12	451648A2	2	SUPPORT, Engine Cover
13	87529011	1	BRACKET, Rear
14	173881C1	1	DECAL, Important, Clean Engine
15	87313659	1	SHIELD, Engine Air Left Hand
16	87422854	1	SUPPORT,
17	87363206	1	SHIELD, Engine Air Right Hand
18	444680A2	1	BRACKET, Engine Shield
19	87686906	3	LATCH,
20	445183A2	1	HANDRAIL, Service Deck
21	87313662	1	HANDRAIL, Engine Compartment
22	448354A1	1	BRACKET, Cylinder Lockout
23	87313660	1	SUPPORT, Dearation Panel
24	446346A1	2	GAS STRUT, Engine Door Lift
25	87025782	4	STUD,
26	439-1420	1	PIN, HEADED, 1/4" x 1 1/4",
27	473443R1	1	PIN, 5/16
28	L105124	2	HOOK, LATCH,
29	188103C2	2	BRACKET, Hook Anchor
30	439-1424	2	PIN, HEADED, 1/4" x 1 1/2", G2,
31	432-812	2	PIN, SPLIT (COTTER), 1/8" x 3/4",
32	494307C1	2	LATCH,
33	477-73112	25	BOLT, Slotted Tr Hd, 5/16"-18 x 3/4",
34	409-7512	39	BOLT, Hex Flg, 5/16"-18 x 3/4", Serr,
35	231-5145	61	NUT, Flg, USR, 5/16"-18,
36	87026609	2	SPACER, 1/2" Pipe x 3/8",
38	167800C1	4	FASTENER,
39	440-1108	4	SCREW, Cross Pan Hd, #10-24 x 1/2",
40	231-51409	4	NUT, Flg, USR, #10-24,
41	442193A1	1	SUPPORT, Engine Deck Rear
42	495-81116	11	WASHER, .344" x 1" x .060",
43	495-81024	1	WASHER, 17/32" x 1 1/4" x .060",

09H-01 ENGINE SHIELDS AND SERVICE DECK

Ref	Part Number	Qty	Description
44	470-1108	2	SCREW, Slotted Pan Hd, #10-24 x 1/2",
45	231-51409	2	NUT, Flg, USR, #10-24,
46	87301815	2	RIVET,
47	231-5315	1	NUT, LOCK, Flg, 5/16"-18,
48	1327979C1	1	MOLDING, 152 mm (6 in), Cut From 196707C1, (Not Shown)
49	87313658	1	SUPPORT, Dearation Panel
50	87338173	1	PLATE, Cooler Box, Lower
51	138558A1	2	SCREW,

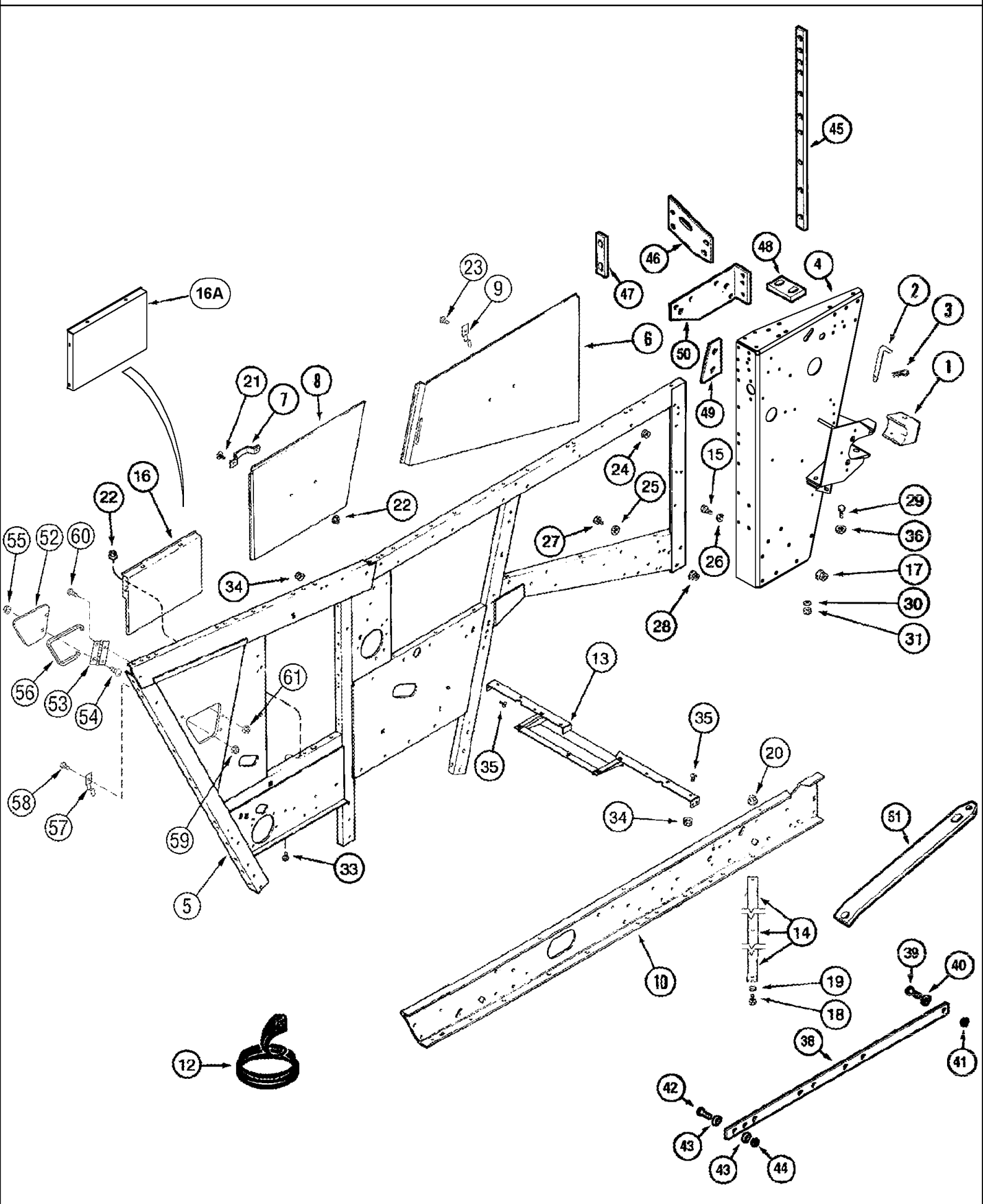
09H-02 ENGINE SHIELDS AND SERVICE DECK SUPPORTS



09H-02 ENGINE SHIELDS AND SERVICE DECK SUPPORTS

Ref	Part Number	Qty	Description
1	1330481C2	1	SUPPORT, Left Hand Rear
2	1330482C3	1	SUPPORT, Left Hand Rear
3	237716A1	1	BRACKET,
4	237714A1	1	SUPPORT, Rear
5	193435C3	1	SUPPORT,
6	192959C6	5	SUPPORT,
7	304310A1	1	SUPPORT, Rear
8	192961C7	1	SUPPORT, Right Hand
9	304309A2	1	SUPPORT, Left Hand
10	186105C1	1	CHANNEL, Upper, Left Hand Rear
11	1977155C3	3	DOOR,
12	1979827C2	1	PLATE,
13	1979828C2	1	PLATE, Front
14	186695C1	3	HINGE,
15	1979830C1	1	SUPPORT,
24	477-73112	AR	BOLT, Slotted Tr Hd, 5/16"-18 x 3/4",
25	231-5145	AR	NUT, Flg, USR, 5/16"-18,
26	413-532	1	BOLT, Hex, 5/16"-18 x 2", G5,
27	281-1478	10	SCREW, SELF TAPPING, Hex Wash Hd, 1/4" x 1/2",
28	477-82508	30	SCREW, Sltd Serr Truss Hd, 1/4"-20 x 1/2",
28	477-82512	2	SCREW, Sltd Serr Truss Hd, 1/4"-20 x 3/4",
29	231-5144	32	NUT, Flg, USR, 1/4"-20,
30	409-7516	1	BOLT, Hex Flg, 5/16"-18 x 1", Serr,
32	440-1108	4	SCREW, Cross Pan Hd, #10-24 x 1/2",
33	231-51409	4	NUT, Flg, USR, #10-24,
34	435437A1	1	STRAP, CABLE, 3/16" x 7 1/4", 7 in
35	1327979C1	1	MOLDING, 152 mm (6 in), Cut From 1330108CX

09H-03 SEPARATOR - DOORS - LEFT HAND



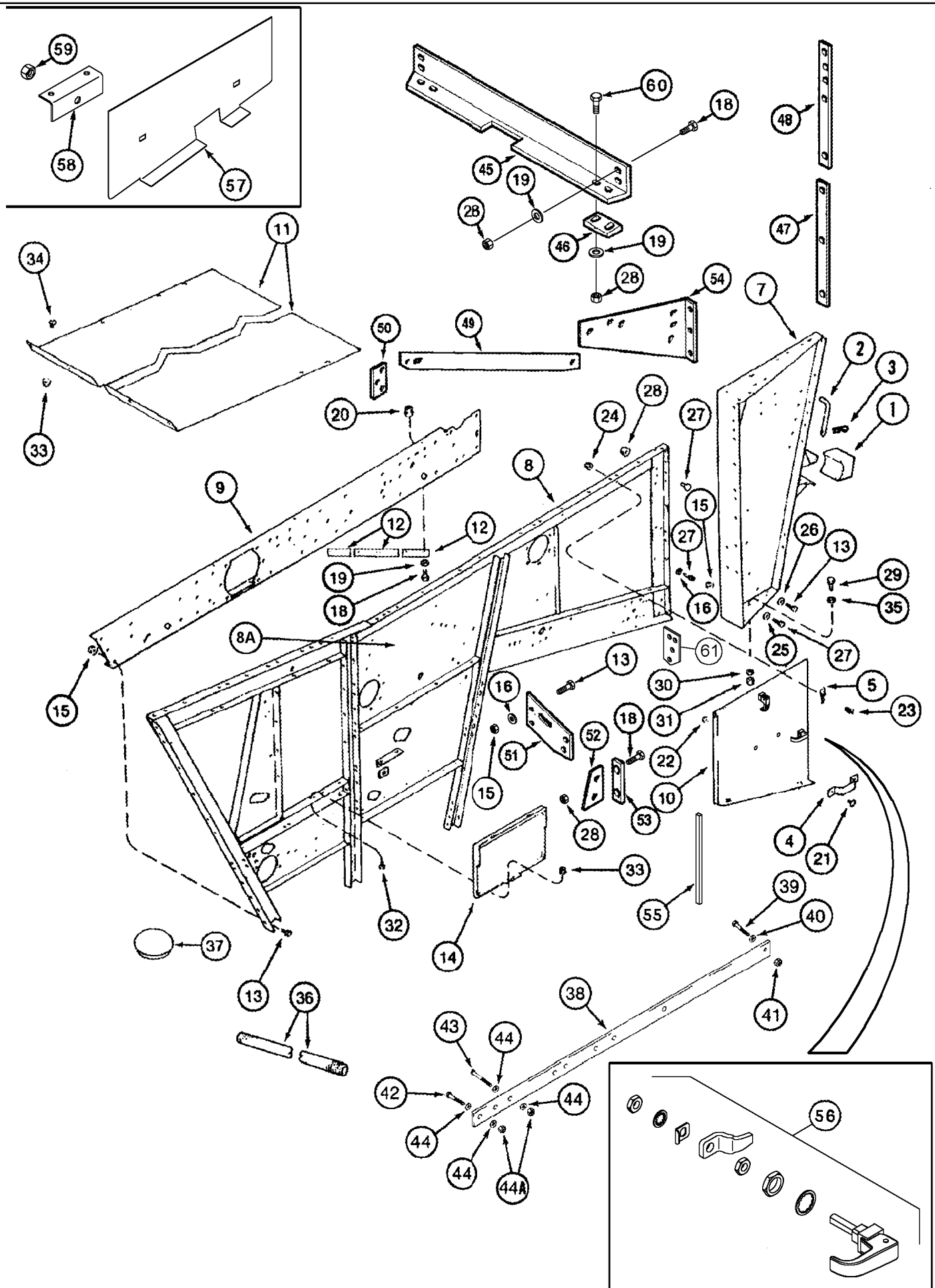
09H-03 SEPARATOR - DOORS - LEFT HAND

Ref	Part Number	Qty	Description
1	1989327C2	1	RETAINER,
1	1989327C3	1	RETAINER, 12 Row Ready
2	418694A1	1	ROD,
3	1978738C1	1	PIN, SPLIT (COTTER), 3/16
4	87386290	1	POST, Left Hand Front
4A	87582269	1	DUCT, 11 x 1/2 I.D., (Not Shown)
5	87590295	1	SEPARATOR, Left Hand
6	193223C2	1	DOOR, Left Hand Front
7	87686906	2	LATCH, Replaces 160638C1
8	87546151	1	DOOR, Left Hand
9	167800C1	10	FASTENER,
10	359826A2	1	SILL, Main, Left Hand
12	188062C2	1	SEAL, 140 mm (5-1/2 in), Cut From 1338148CX
13	237975A5	1	SUPPORT,
14	186018C1	1	STRAP,
15	426-1020	20	BOLT, Hex, 5/8"-11 x 1 1/4", G8, Full Thd,
15	426-1028	3	BOLT, Hex, 5/8"-11 x 1 3/4", G8, Full Thd,
16A	87301105	1	DOOR,
17	87301493	24	NUT, Flg, USR, 5/8"-11, G8,
18	426-824	21	BOLT, Hex, 1/2"-13 x 1 1/2", G8, Full Thd,
19	232-5318	39	NUT, LOCK, Flg, 1/2"-13,
20	186852C1	3	NUT, 1/2, 8
21	477-73108	4	SCREW, Sltd Serr Truss Hd, 5/16"-18 x 1/2",
22	231-5145	9	NUT, Flg, USR, 5/16"-18,
23	440-1108	10	SCREW, Cross Pan Hd, #10-24 x 1/2",
24	231-51409	10	NUT, Flg, USR, #10-24,
25	396-41066	6	WASHER, 21/32" x 1 1/2" x .188", HDN,
26	496-11066	13	WASHER, 21/32" x 1 5/16" x .095", HDN,
27	426-816	11	BOLT, Hex, 1/2"-13 x 1", G8, Full Thd,
28	232-5138	12	NUT, Flg, USR, 1/2"-13, G8,
29	413-1028	2	BOLT, Hex, 5/8"-11 x 1 3/4", G5,
30	492-11062	2	WASHER, LOCK, 5/8",
31	425-1010	2	NUT, 5/8"-11, G5,
33	477-73112	8	BOLT, Slotted Tr Hd, 5/16"-18 x 3/4",
33	477-73116	1	SCREW, Sltd Serr Truss Hd, 5/16"-18 x 1",
33	409-7524	4	BOLT, Hex Flg, 5/16"-18 x 1 1/2", Serr,
34	231-5146	9	NUT, Flg, USR, 3/8"-16,
34	231-5145	4	NUT, Flg, USR, 5/16"-18,
35	477-73812	20	SCREW, Sltd Serr Truss Hd, 3/8" x 3/4",
35	477-73816	2	SCREW, Sltd Serr Truss Hd, 3/8" x 1",
36	493-21065	2	WASHER, LOCK, Int Tooth, 5/8",
37	188062C2	4	SEAL, 140 mm (5-1/2 in), Cut From 1338149C1, (Not Shown)
38	198572A3	2	STRAP, 12 Row Ready

09H-03 SEPARATOR - DOORS - LEFT HAND

Ref	Part Number	Qty	Description
39	426-632	2	BOLT, Hex, 3/8"-16 x 2", G8, 12 Row Ready
40	496-41041	4	WASHER, 13/32" x 1 1/8" x .134",
41	429-106	4	NUT, 3/8"-16, G8, 12 Row Ready
42	426-832	14	BOLT, Hex, 1/2"-13 x 2", G8,
43	496-21053	28	WASHER, 17/32" x 1 1/16" x .134",
44	429-108	14	NUT, 1/2"-13, G8,
45	236933A1	1	PLATE,
46	87527681	1	PLATE, Left Hand Front
47	239001A1	1	PLATE,
48	236509A1	2	SPACER,
49	239289A1	1	SPACER, Lower Right Hand
50	236370A2	1	PLATE, Left Hand
51	236726A1	1	PLATE, Left Hand
	387815A1	1	DOOR, Separator, Inc. 52 - 56
52	383558A1	1	DOOR,
53	397586A1	1	HINGE,
54	477-82508	2	SCREW, Sltd Serr Truss Hd, 1/4"-20 x 1/2",
55	231-5144	2	NUT, Flg, USR, 1/4"-20,
56	383559A1	1	SEAL,
57	167800C1	1	FASTENER,
58	440-1108	1	SCREW, Cross Pan Hd, #10-24 x 1/2",
59	231-51409	1	NUT, Flg, USR, #10-24,
60	477-82508	2	SCREW, Sltd Serr Truss Hd, 1/4"-20 x 1/2",
61	231-5144	2	NUT, Flg, USR, 1/4"-20,
62	131-946	6	NUT, Flg, 1/2"-13, G8, (Not Shown)
63	409-7620	2	BOLT, Hex Flg, 3/8"-16 x 1 1/4", Serr, (Not Shown)
64	426-1036	1	BOLT, Hex, 5/8"-11 x 2 1/4", G8, (Not Shown)
65	477-73120	1	SCREW, Sltd Serr Truss Hd, 5/16"-18 x 1 1/4", (Not Shown)
66	231-5145	1	NUT, Flg, USR, 5/16"-18, (Not Shown)
67	495-11034	3	WASHER, 5/16", SAE, (Not Shown)
68	231-1445	1	NUT, LOCK, 5/16"-18, GB, (Not Shown)

09H-04 SEPARATOR - DOORS - RIGHT HAND



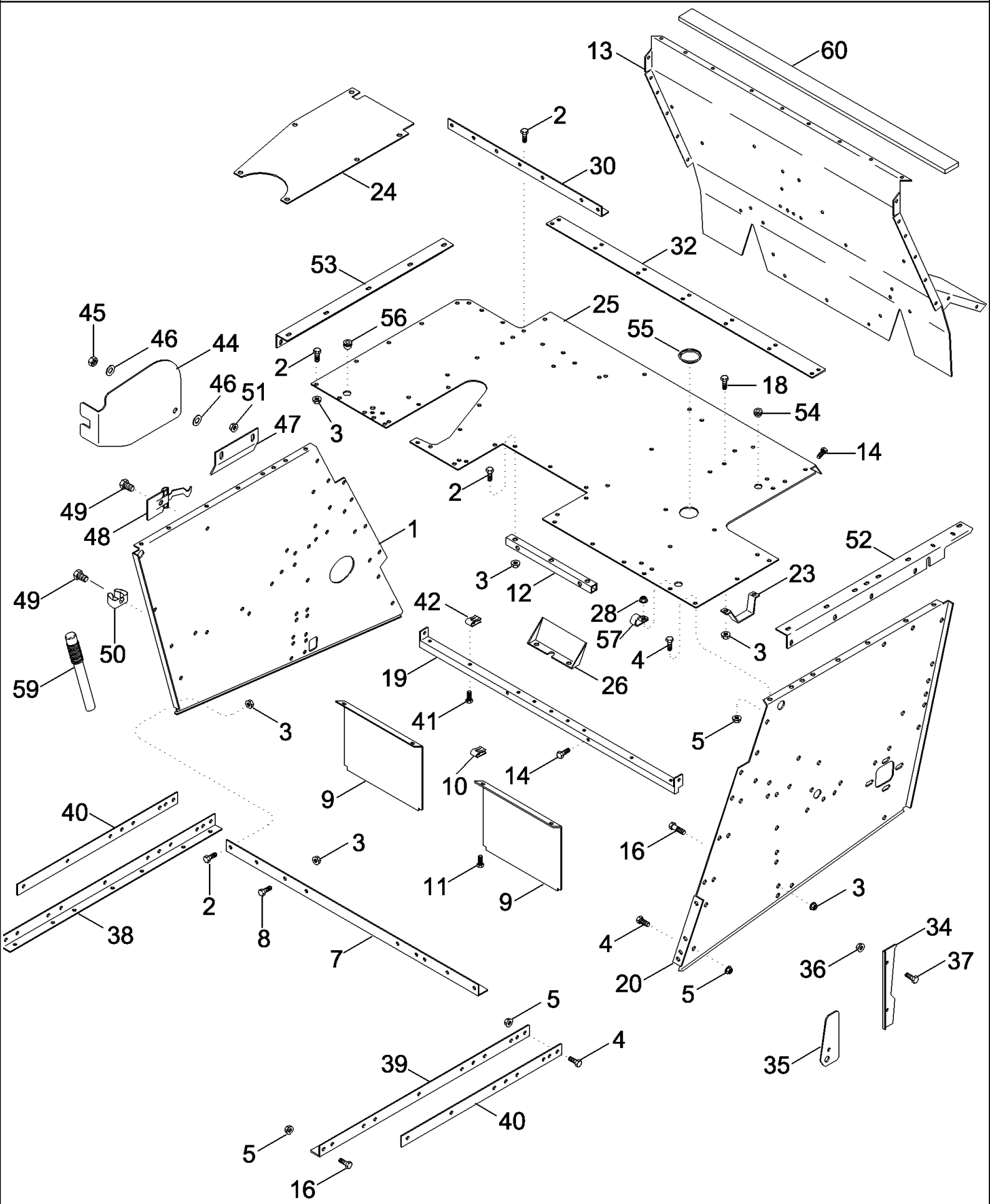
09H-04 SEPARATOR - DOORS - RIGHT HAND

Ref	Part Number	Qty	Description
1	1989327C2	1	RETAINER,
1	1989327C3	1	RETAINER, 12 Row Ready
2	418694A1	1	ROD,
3	1978738C1	1	PIN, SPLIT (COTTER), 3/16
4	87686906	1	LATCH,
5	86991204	2	LATCH,
7	87386289	1	POST, Right Hand
8	87590294	1	SEPARATOR, Right Hand, Inc. 8A
8A	192626C3	1	SHEET, Right Hand Upper Center
9	87335705	1	SILL, Right Hand, Main
10	86991350	1	DOOR, Right Hand Front
11	87615042	1	SHEET,
12	186018C1	1	STRAP,
13	426-1020	21	BOLT, Hex, 5/8"-11 x 1 1/4", G8, Full Thd,
14	87301105	1	DOOR,
15	232-51310	23	NUT, Flg, USR, 5/8"-12,
16	495-21044	3	WASHER, 3/8",
17	409-7616	1	BOLT, Hex Flg, 3/8"-16 x 1", Serr, (Not Shown)
18	426-824	14	BOLT, Hex, 1/2"-13 x 1 1/2", G8, Full Thd,
19	496-21053	44	WASHER, 17/32" x 1 1/16" x .134",
20	186852C1	2	NUT, 1/2, 8
21	477-73108	2	SCREW, Sltd Serr Truss Hd, 5/16"-18 x 1/2",
22	231-5145	2	NUT, Flg, USR, 5/16"-18,
23	440-1108	4	SCREW, Cross Pan Hd, #10-24 x 1/2",
24	231-51409	4	NUT, Flg, USR, #10-24,
25	396-41066	4	WASHER, 21/32" x 1 1/2" x .188", HDN,
26	496-11066	13	WASHER, 21/32" x 1 5/16" x .095", HDN,
27	426-816	10	BOLT, Hex, 1/2"-13 x 1", G8, Full Thd,
28	232-5138	21	NUT, Flg, USR, 1/2"-13, G8,
29	413-1028	2	BOLT, Hex, 5/8"-11 x 1 3/4", G5,
30	492-11062	2	WASHER, LOCK, 5/8",
31	425-1010	2	NUT, 5/8"-11, G5,
32	477-73112	5	BOLT, Slotted Tr Hd, 5/16"-18 x 3/4",
33	231-5146	3	NUT, Flg, USR, 3/8"-16,
34	477-73812	1	SCREW, Sltd Serr Truss Hd, 3/8" x 3/4",
35	493-21065	2	WASHER, LOCK, Int Tooth, 5/8",
36	1319395C1	1	CONDUIT, 12-1/8, Cut From 1262114C1
37	353-414	1	PLUG, Dome, 1.375" hole, Nylon,
38	198572A1	1	STRAP, 12 Row Ready
39	326-632	1	BOLT, Hex, 3/8"-16 x 2", G8, 12 Row Ready
40	496-41041	2	WASHER, 13/32" x 1 1/8" x .134", 12 Row Ready
41	429-106	1	NUT, 3/8"-16, G8, 12 Row Ready
42	326-832	6	BOLT, Hex, 1/2"-13 x 2", G8, 12 Row Ready

09H-04 SEPARATOR - DOORS - RIGHT HAND

Ref	Part Number	Qty	Description
43	426-836	2	BOLT, Hex, 1/2"-13 x 2 1/4", G8, 12 Row Ready
44	496-21053	16	WASHER, 17/32" x 1 1/16" x .134", 12 Row Ready
44A	429-108	8	NUT, 1/2"-13, G8, 12 Row Ready
45	237623A1	1	SUPPORT, Front
46	236509A1	1	SPACER,
47	236935A1	1	PLATE, Lower Right Hand
48	236934A1	1	PLATE, Upper Right Hand
49	236727A1	1	PLATE, Right Hand
	426-1024	9	BOLT, Hex, 5/8"-11 x 1 1/2", G8, Full Thd,
	426-1036	1	BOLT, Hex, 5/8"-11 x 2 1/4", G8,
50	236728A1	1	PLATE,
51	87527681	1	PLATE, Left Hand Front
52	87527683	1	SPACER, Left Hand
53	239001A1	1	PLATE,
54	236317A1	1	SUPPORT, Right Hand
	409-7620	2	BOLT, Hex Flg, 3/8"-16 x 1 1/4", Serr,
55	86991662	1	SEAL, Seal, 362 mm (14-1/4 in), Cut From 1971350C1
56	86991204	2	LATCH,
57	87422278	1	SHEET, Air Flow Restriction
58	86985754	2	SUPPORT, Support
59	131-137	2	NUT, Ret, 5/16"-18,
60	426-832	4	BOLT, Hex, 1/2"-13 x 2", G8,
61	87527680	1	PLATE, Front Post Support

09H-05 SEPARATOR - HOOD



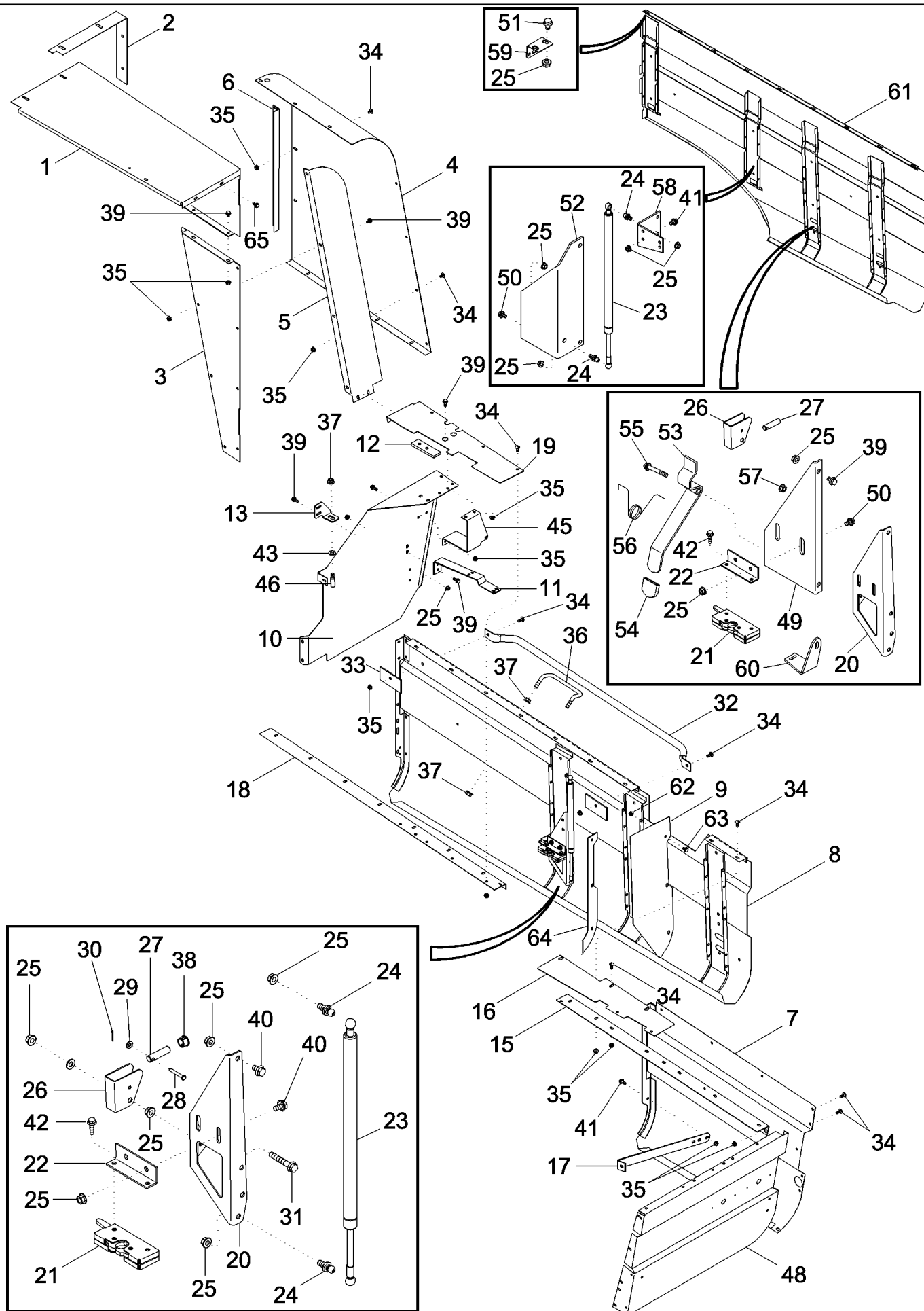
09H-05 SEPARATOR - HOOD

Ref	Part Number	Qty	Description
1	87344263	1	SHEET, Left-Hand, Inc. Decals 144388A1 & 179620A2, See Figure(s) 09H-19, REF 6; 09H-20, REF 6
2	477-73112	69	BOLT, Slotted Tr Hd, 5/16"-18 x 3/4",
3	231-5145	87	NUT, Flg, USR, 5/16"-18,
4	477-73816	13	SCREW, Slt'd Serr Truss Hd, 3/8" x 1",
5	231-5146	21	NUT, Flg, USR, 3/8"-16,
7	192304C2	1	RAIL, Rear
8	477-73120	6	SCREW, Slt'd Serr Truss Hd, 5/16"-18 x 1 1/4",
9	441739A1	2	SUPPORT, Rear, Inc. Decals 144370A1 & 435799A1, See Figure(s) 09H-19, REF 1; 09H-20, REF 9
10	488837C1	14	NUT, 5/16
11	409-7512	13	BOLT, Hex Flg, 5/16"-18 x 3/4", Serr,
12	186971C1	1	ANGLE, Rear
13	364626A3	1	SUPPORT, Fuel Tank
14	409-7512	6	BOLT, Hex Flg, 5/16"-18 x 3/4", Serr,
16	477-73812	6	SCREW, Slt'd Serr Truss Hd, 3/8" x 3/4",
17	138558A1	10	SCREW, 5/16 x 13/16
17	409-7516	1	BOLT, Hex Flg, 5/16"-18 x 1", Serr,
18	488837C1	17	NUT, 5/16
19	358622A1	1	SUPPORT,
20	87372079	1	SHEET, Right-Hand
23	380043A1	2	STOP, Fuel Tank
24	441454A1	1	COVER, Engine
25	87372077	1	SHEET, Rear Deck
26	364781A1	1	RETAINER, Fuel Tank
	131-137	4	NUT, Ret, 5/16"-18,
30	279682A1	1	SUPPORT, Rear Deck
32	87412923	1	SHEET, Rear Deck
33	280059A1	1	SEAL, (Not Shown)
34	87374618	1	SHEET, Seal
35	418096A2	1	SHEET, Seal
36	231-5145	4	NUT, Flg, USR, 5/16"-18,
37	477-73112	4	BOLT, Slotted Tr Hd, 5/16"-18 x 3/4",
38	412620A1	1	SUPPORT, Angle, Left Hand Separator Hood
39	412622A1	1	SUPPORT, Angle, Right Hand Separator Hood
40	418632A1	2	STRAP, Spacer
41	410-7620	7	BOLT, Hex Flg, 3/8"-16 x 1 1/4", Serr,
42	410009A1	8	NUT, U-type
43	1302758C1	1	PLUG, Clean Out Hole, (Not Shown)
44	87314912	1	SHIELD, Sieve Lamp
45	231-1444	1	NUT, LOCK, 1/4"-20, GB,
46	87308449	2	WASHER, 1/4 x 1/2
47	87314913	1	RETAINER,
48	167800C1	1	FASTENER, Door Retainer
49	440-1108	3	SCREW, Cross Pan Hd, #10-24 x 1/2",

09H-05 SEPARATOR - HOOD

Ref	Part Number	Qty	Description
50	106744A1	2	CLIP, Sieve Handle
51	231-5144	2	NUT, Flg, USR, 1/4"-20,
52	87415390	1	SUPPORT, Right Hand Rear Trim Panel
53	183368A2	1	SUPPORT, Left Hand Rear Trim
54	195806C1	1	GROMMET,
55	87000778	1	PLUG,
56	198828C1	1	GROMMET,
57	515-23190	3	CLAMP, 3/4", Insul, 3/8" Bolt,
58	231-51409	3	NUT, Flg, USR, #10-24,
59	106743A1	1	HANDLE, Extension Assy.
60	280059A1	1	SEAL, Foam Tape
61	87602943	1	(Not Shown)

09H-06 DOOR - SHIELD - RIGHT HAND



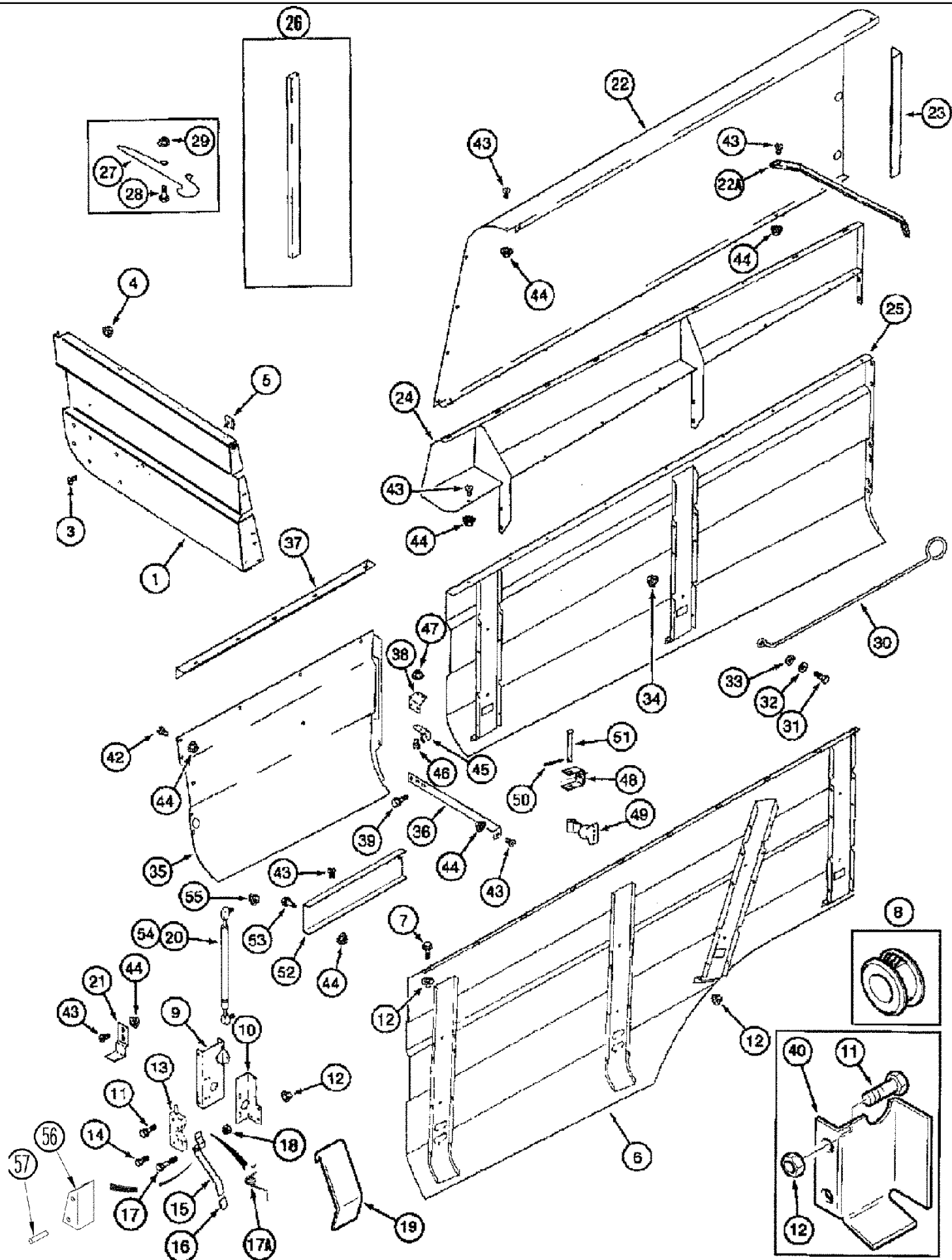
09H-06 DOOR - SHIELD - RIGHT HAND

Ref	Part Number	Qty	Description
1	87313665	1	SUPPORT, Engine Cover
2	87414239	1	SUPPORT,
3	87413554	1	SHIELD,
4	87413551	1	SHIELD,
5	87413556	1	SHIELD,
6	140514A1	1	SUPPORT,
7	413998A1	1	SUPPORT,
8	87415382	1	SHIELD,
10	87413640	1	SHIELD,
11	87385907	1	STRAP,
12	87428556	1	PLATE,
13	87413642	1	BRACKET,
15	87415390	1	SUPPORT, Right Hand
16	87413646	1	PLATE,
17	416559A1	1	STRAP,
18	87427282	1	SUPPORT,
19	87427283	1	SHIELD,
20	432210A1	2	BRACKET,
21	141224A1	2	LATCH,
22	182195A2	2	BRACKET,
23	140311A3	2	GAS STRUT,
24	87025782	4	STUD,
25	231-5145	AR	NUT, Flg, USR, 5/16"-18,
26	432278A1	2	LEVER,
27	432307A1	2	PIN, Rear Trim Panel Latch
28	127-218	1	PIN, CLEVIS, 3/16" x 1 5/16",
29	495-31022	1	WASHER, #10,
30	432-412	1	PIN, SPLIT (COTTER), 1/16" x 3/4",
31	121-232	1	BOLT, Hex Flg, 5/16"-18 x 2", Serr,
32	143775A2	1	HANDRAIL,
33	418690A1	2	PLATE,
34	477-73108	7	SCREW, Sltd Serr Truss Hd, 5/16"-18 x 1/2",
34	477-73112	5	BOLT, Slotted Tr Hd, 5/16"-18 x 3/4",
35	231-5145	10	NUT, Flg, USR, 5/16"-18,
36	1329715C1	1	HANDLE,
37	231-5148	5	NUT, Flg, USR, 1/2"-13,
38	353-462	1	BUSHING,
39	409-7512	13	BOLT, Hex Flg, 5/16"-18 x 3/4", Serr,
39	409-7516	9	BOLT, Hex Flg, 5/16"-18 x 1", Serr,
40	256873	3	BOLT, Hex Flg, 5/16"-18 x 1/2", Serr,
41	477-73112	4	BOLT, Slotted Tr Hd, 5/16"-18 x 3/4",
42	413-416	8	BOLT, Hex, 1/4"-20 x 1", G5,
43	495-21050	2	WASHER, 7/16",

09H-06 DOOR - SHIELD - RIGHT HAND

Ref	Part Number	Qty	Description
45	87413643	1	BRACKET,
46	282145A1	1	BOLT, SPECIAL,
47	495-11034	1	WASHER, 5/16", SAE,
48	398211A1	1	SUPPORT, Tail Lamp, Right Hand
49	182219A1	1	SUPPORT, Right Hand Lower
50	256873	7	BOLT, Hex Flg, 5/16"-18 x 1/2", Serr,
51	409-7516	9	BOLT, Hex Flg, 5/16"-18 x 1", Serr,
52	182262A2	1	SUPPORT,
53	182204A1	1	LEVER,
54	176203A2	1	PROTECTOR,
55	413-528	1	BOLT, Hex, 5/16"-18 x 1 3/4", G5,
56	284170A1	1	SPRING,
57	425-145	1	NUT, Jam, 5/16"-18, G5,
58	139771A2	1	SUPPORT, Upper Right Hand
59	181333A2	1	BRACKET,
60	414002A1	1	BRACKET, Latch Mounting
61	139775A5	1	HOOD,
62	231-5145	3	NUT, Flg, USR, 5/16"-18,
63	409-758	3	BOLT, Hex Flg, 5/16"-18 x 1/2", Serr,
64	87630529	1	PLATE, Reinforcement
65	138558A1	2	SCREW,

09H-07 DOOR - SHIELDS - LEFT HAND



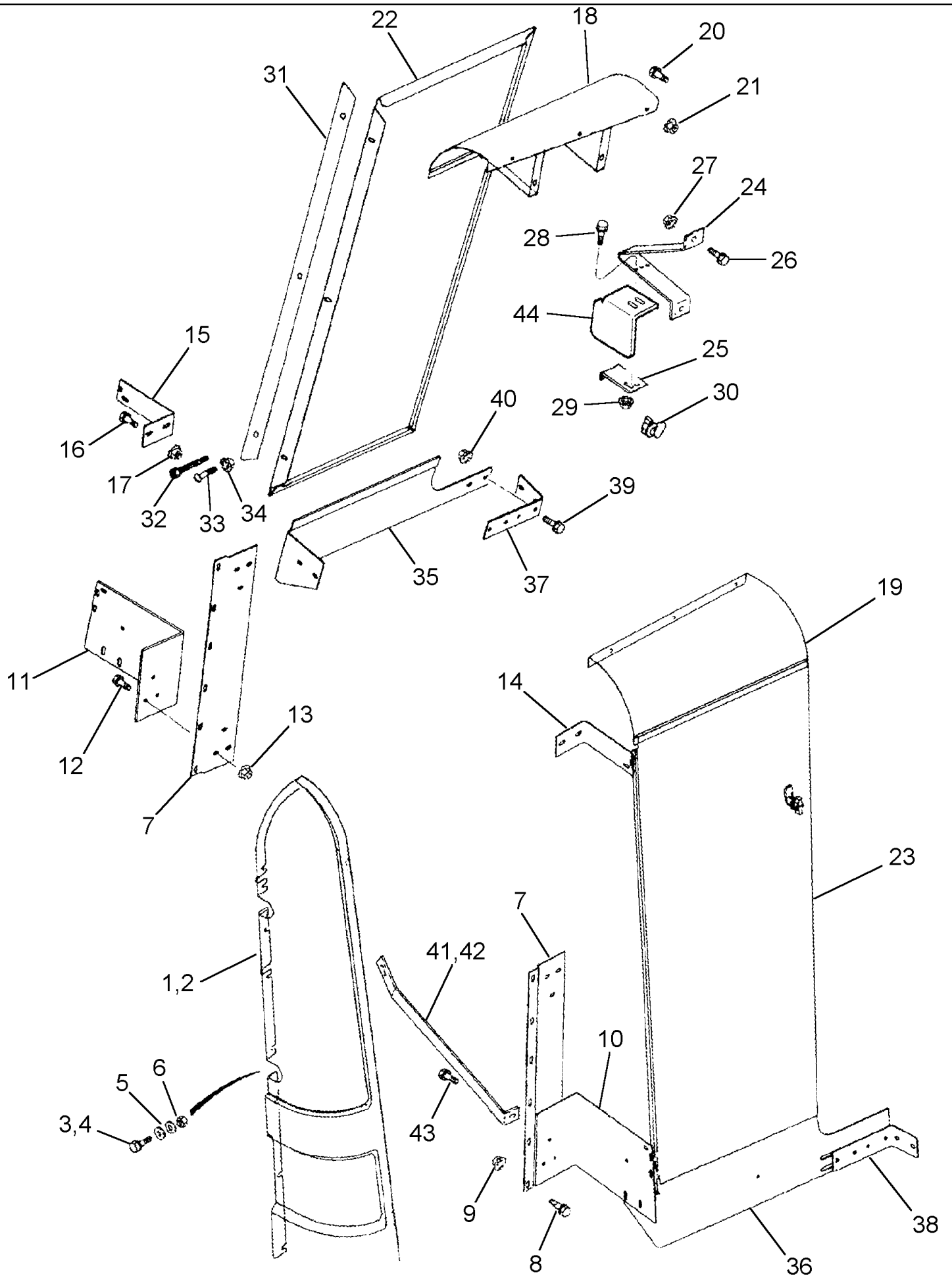
09H-07 DOOR - SHIELDS - LEFT HAND

Ref	Part Number	Qty	Description
1	403280A1	1	SUPPORT, Tail Lamp, Inc. Decal 1546335C1, See Figure 09H-19, REF 16
3	477-73112	5	BOLT, Slotted Tr Hd, 5/16"-18 x 3/4",
4	231-5145	5	NUT, Flg, USR, 5/16"-18,
5	488837C1	3	NUT, 5/16
6	139774A5	1	DOOR, Left Hand
7	409-7516	9	BOLT, Hex Flg, 5/16"-18 x 1", Serr,
8	353-462	1	BUSHING, Australia Only
9	175605A2	1	SUPPORT, Lower
10	139680A3	1	SUPPORT, Lower Left Hand
11	256873	6	BOLT, Hex Flg, 5/16"-18 x 1/2", Serr,
12	231-5145	16	NUT, Flg, USR, 5/16"-18,
13	141224A1	1	LATCH,
14	413-416	2	BOLT, Hex, 1/4"-20 x 1", G5,
15	182204A1	1	LEVER,
16	176203A2	2	PROTECTOR,
17	185856C1	3	SCREW, 5/16 x 2
17A	284171A1	1	SPRING,
18	425-145	3	NUT, Jam, 5/16"-18, G5,
19	182582A2	1	LEVER, Australia Only
20	140311A3	1	GAS STRUT,
21	143442A3	1	SUPPORT, Front
22	140369A3	1	SHIELD, Rear, Upper Left Hand
22A	223711A2	1	SUPPORT, Rear, Upper Left Hand
23	140514A1	1	SUPPORT, Upper Left Hand
24	87617094	1	PANEL, Rear, Upper Left Hand
25	140840A3	1	SHIELD, Rear, Lower Left Hand
26	187885C1	3	SEAL, 660 mm (26 in), Cut From 87281C1
26	187884C1	1	SEAL, 51 mm (2 in), Cut From 187885C1
27	176438A1	1	STEM,
28	409-7616	2	BOLT, Hex Flg, 3/8"-16 x 1", Serr,
29	231-5146	2	NUT, Flg, USR, 3/8"-16,
30	176953A3	1	PROP, Left Hand Rear
31	413-636	1	BOLT, Hex, 3/8"-16 x 2 1/4", G5,
32	495-21044	2	WASHER, 3/8",
33	495-81143	2	WASHER, 13/32" x 1 1/2" x .120",
34	231-5146	2	NUT, Flg, USR, 3/8"-16,
35	398203A1	1	SHIELD, Left Hand Rear
36	129694A1	1	SUPPORT, Lower Left Hand, Rear
37	183368A2	1	SUPPORT, Left Hand Rear
38	130184A2	1	BRACKET,
39	256873	7	BOLT, Hex Flg, 5/16"-18 x 1/2", Serr,
40	183475A1	1	COVER, Australia Only
42	190553A1	9	SCREW, 5/16 x 3/4

09H-07 DOOR - SHIELDS - LEFT HAND

Ref	Part Number	Qty	Description
43	477-73112	AR	BOLT, Slotted Tr Hd, 5/16"-18 x 3/4",
44	231-5145	AR	NUT, Flg, USR, 5/16"-18,
45	L105124	1	HOOK, LATCH,
46	470-11012	2	SCREW, Slotted Pan Hd, #10-24 x 3/4",
47	231-51409	2	NUT, Flg, USR, #10-24,
48	188103C2	4	BRACKET,
49	494307C1	4	LATCH,
50	432-812	4	PIN, SPLIT (COTTER), 1/8" x 3/4",
50A	439-1412	4	PIN, HEADED, 1/4" x 3/4", (Not Shown)
51	439-1424	4	PIN, HEADED, 1/4" x 1 1/2", G2,
52	1319563C1	1	SUPPORT,
53	256873	2	BOLT, Hex Flg, 5/16"-18 x 1/2", Serr,
54	87025782	2	STUD,
55	231-5145	2	NUT, Flg, USR, 5/16"-18,
56	432278A1	1	LEVER, Latch Release
57	432307A1	1	PIN,
58	51-13112	1	STUD, 5/16 x 3/4, (Not Shown)
59	229578A1	1	PLUG, (Not Shown)

09H-08 GRAIN TANK, CORNER COVER PARTS



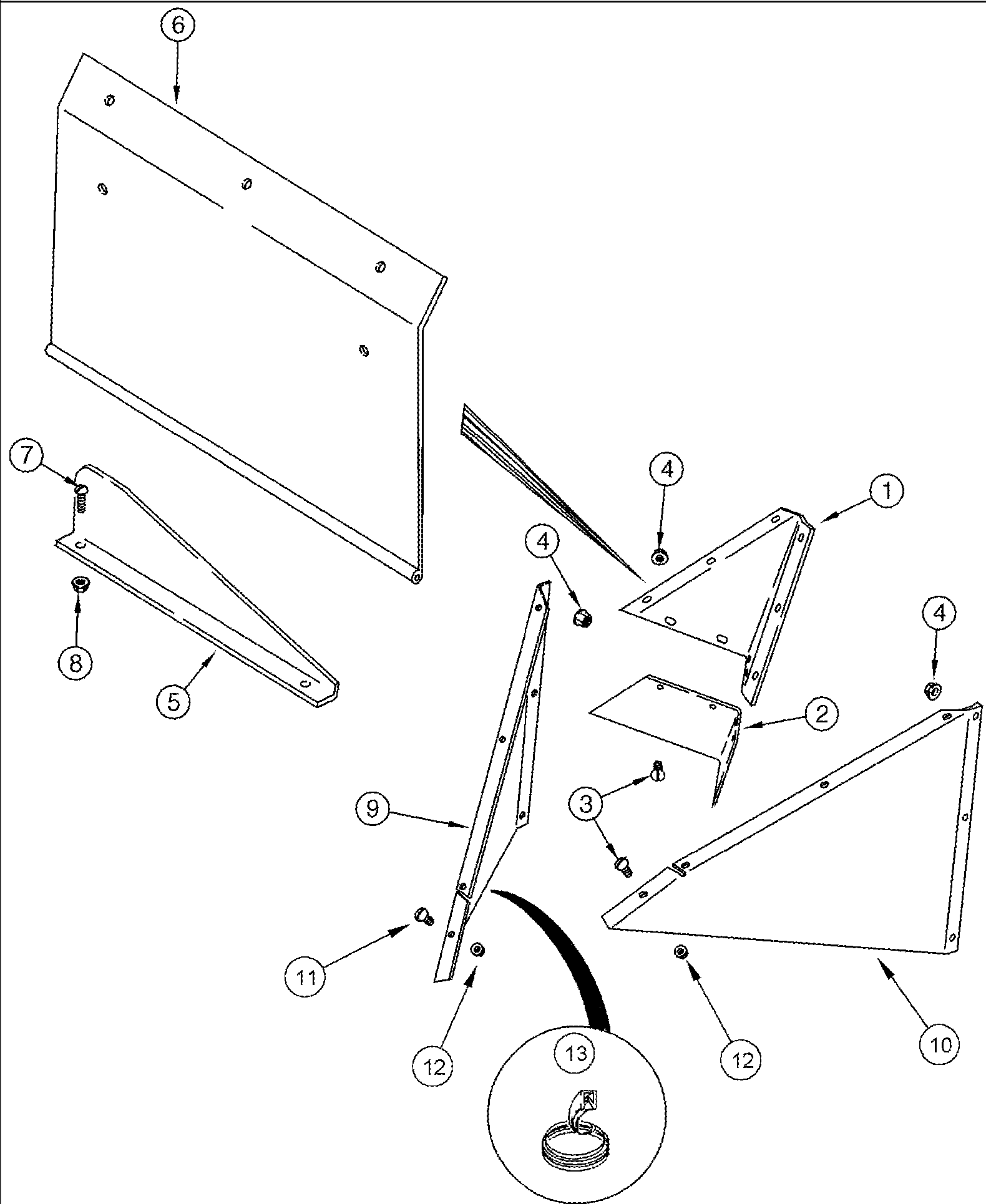
09H-08 GRAIN TANK, CORNER COVER PARTS

Ref	Part Number	Qty	Description
1	115687A2	1	SHIELD, Left Hand
2	115751A2	1	SHIELD, Right Hand
3	409-7512	12	BOLT, Hex Flg, 5/16"-18 x 3/4", Serr,
4	409-7516	AR	BOLT, Hex Flg, 5/16"-18 x 1", Serr,
5	495-11034	AR	WASHER, 5/16", SAE,
6	231-1445	AR	NUT, LOCK, 5/16"-18, GB,
7	128913A4	2	BRACKET, Vertical
8	409-7512	9	BOLT, Hex Flg, 5/16"-18 x 3/4", Serr,
8	409-7516	2	BOLT, Hex Flg, 5/16"-18 x 1", Serr,
9	231-5145	11	NUT, Flg, USR, 5/16"-18,
10	141419A2	1	SUPPORT, Lower Right Hand
11	141420A2	1	SUPPORT, Lower Left Hand
12	409-7512	6	BOLT, Hex Flg, 5/16"-18 x 3/4", Serr,
13	231-5145	6	NUT, Flg, USR, 5/16"-18,
14	259234A2	1	SUPPORT, Right Hand
15	259233A1	1	SUPPORT, Left Hand
16	409-7516	4	BOLT, Hex Flg, 5/16"-18 x 1", Serr,
16A	495-11041	4	WASHER, 3/8", SAE, (Not Shown)
17	231-5145	4	NUT, Flg, USR, 5/16"-18,
18	189743A3	1	COVER, Upper Left Hand, Inc. Decals 182269A1 & 175607A1, See Figure(s) 09H-19, REF 10; Figure 09H-22, REF 15
19	138880A3	1	SHIELD, Upper Right Hand
20	409-7512	5	BOLT, Hex Flg, 5/16"-18 x 3/4", Serr,
21	231-5145	5	NUT, Flg, USR, 5/16"-18,
22	189306A2	1	DOOR, Left Hand, Inc. Decals 144383A1 & 144483A1, See Figure(s) 09H-19, REF 7; 09H-22, REF 7
23	366817A1	1	DOOR, Right Hand
24	141785A1	2	SUPPORT,
25	141786A3	2	SUPPORT,
26	409-7412	4	BOLT, Hex Flg, 1/4"-20 x 3/4", Serr,
27	231-5144	4	NUT, Flg, USR, 1/4"-20,
28	409-7512	4	BOLT, Hex Flg, 5/16"-18 x 3/4", Serr,
29	231-5145	4	NUT, Flg, USR, 5/16"-18,
30	182925A1	2	LOCK,
30	182926A1	2	LOCK, Australia Only
31	128919A3	2	HINGE,
32	758-6	6	SCREW, SELF TAPPING, Hex Hd, M6.3 x 19,
33	477-73108	10	SCREW, Sltd Serr Truss Hd, 5/16"-18 x 1/2",
34	231-5145	10	NUT, Flg, USR, 5/16"-18,
35	87540561	1	SHEET, Left Hand
36	87540563	1	SHEET, Right Hand
37	87545916	1	SUPPORT, Left Hand
38	87545914	1	SUPPORT, Right Hand
39	409-7512	12	BOLT, Hex Flg, 5/16"-18 x 3/4", Serr,

09H-08 GRAIN TANK, CORNER COVER PARTS

Ref	Part Number	Qty	Description
40	231-5145	12	NUT, Flg, USR, 5/16"-18,
41	193118A1	1	SUPPORT, Right Hand
42	193120A1	1	SUPPORT, Left Hand
43	409-7516	2	BOLT, Hex Flg, 5/16"-18 x 1", Serr,
44	190232A2	1	SUPPORT, Bracket, Australia Only
	102251A1	1	CLIP, (Not Shown)
	231-5144	1	NUT, Flg, USR, 1/4"-20, (Not Shown)
	409-748	1	BOLT, Hex Flg, 1/4"-20 x 1/2", Serr, (Not shown)

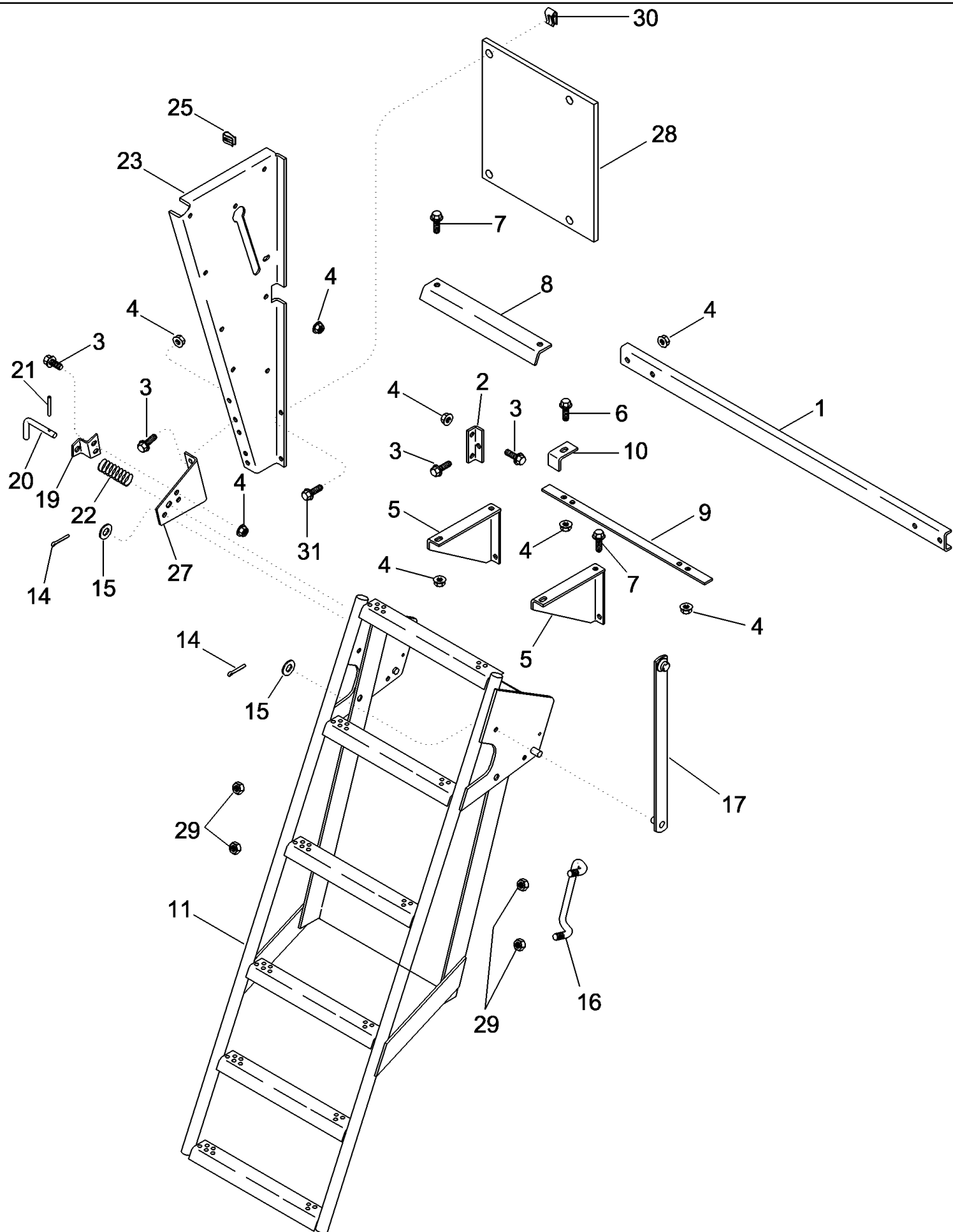
09H-09 DEFLECTORS - SUPPORTS



09H-09 DEFLECTORS - SUPPORTS

Ref	Part Number	Qty	Description
1	1319485C1	1	DEFLECTOR, Rear, Hood, With Straw Chopper
2	1321019C1	1	DEFLECTOR, Guard, With Straw Chopper
3	477-73112	6	BOLT, Slotted Tr Hd, 5/16"-18 x 3/4",
4	231-5145	6	NUT, Flg, USR, 5/16"-18,
5	115497A1	1	DEFLECTOR, Rotor, Discharge, With Straw and Chaff Spreader
6	109991A3	1	DEFLECTOR, Rear, Hood, With Straw and Chaff Spreader
7	477-73112	10	BOLT, Slotted Tr Hd, 5/16"-18 x 3/4",
8	231-5145	10	NUT, Flg, USR, 5/16"-18,
9	426762A1	1	SUPPORT, Left-Hand
10	426763A1	1	SUPPORT, Right-Hand
11	477-73108	10	SCREW, Sltd Serr Truss Hd, 5/16"-18 x 1/2",
12	231-5145	10	NUT, Flg, USR, 5/16"-18,
13	1545944C1	1	SEAL, 127 mm (5 in), Cut From 1330108CX

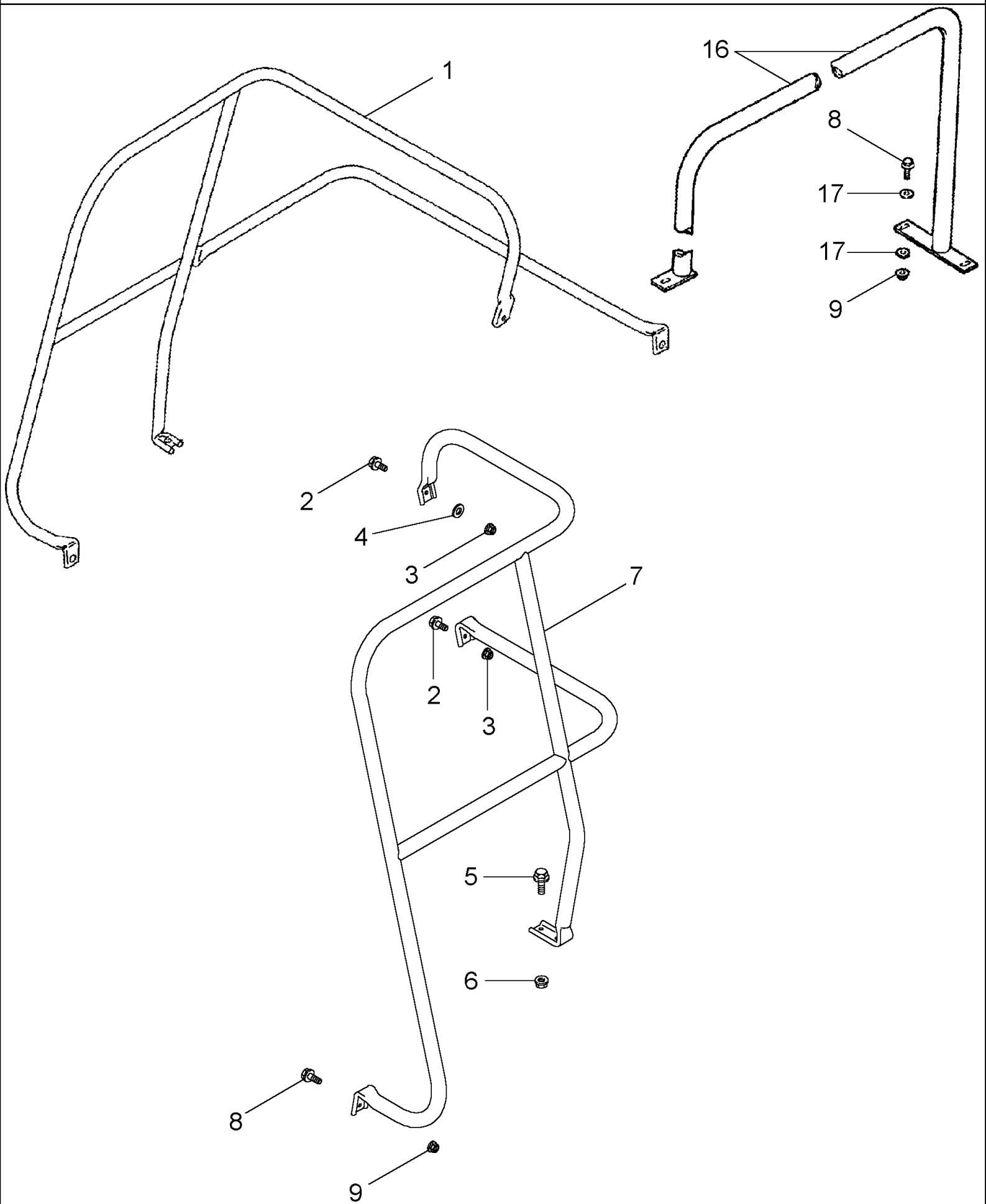
09H-10 LADDER, SERVICE



09H-10 LADDER, SERVICE

Ref	Part Number	Qty	Description
1	382341A1	1	CHANNEL,
2	1327997C2	2	BRACKET,
3	477-73112	12	BOLT, Slotted Tr Hd, 5/16"-18 x 3/4",
4	231-5145	17	NUT, Flg, USR, 5/16"-18,
5	1347489C1	2	SUPPORT,
6	477-73116	1	SCREW, Slt'd Serr Truss Hd, 5/16"-18 x 1",
7	409-7512	4	BOLT, Hex Flg, 5/16"-18 x 3/4", Serr,
8	1327607C1	1	PLATE,
9	1319722C1	1	BAR,
10	1321975C1	1	BRACKET,
11	87553728	1	LADDER, Inc. Decal 311858A1, See Figure 09H-18, REF 9
14	432-1212	4	PIN, SPLIT (COTTER), 3/16" x 3/4",
15	495-11066	6	WASHER, 5/8", SAE,
16	1329715C1	1	HANDLE,
17	1321698C1	2	LINK,
19	1319739C1	1	BRACKET,
20	1319740C2	1	PIN,
21	38-1813	1	PIN, LOCK, 1/8" x 13/16", Slotted,
22	540815R2	1	SPRING,
23	87552551	1	BRACE, Left Hand (Shown)
24	364130A1	1	SUPPORT, Right Hand, (Not Shown)
25	488837C1	4	NUT, 5/16
27	1319738C1	2	BRACKET,
28	364784A1	1	PLATE,
29	231-5148	4	NUT, Flg, USR, 1/2"-13,
30	231-5144	2	NUT, Flg, USR, 1/4"-20,
31	409-748	2	BOLT, Hex Flg, 1/4"-20 x 1/2", Serr,

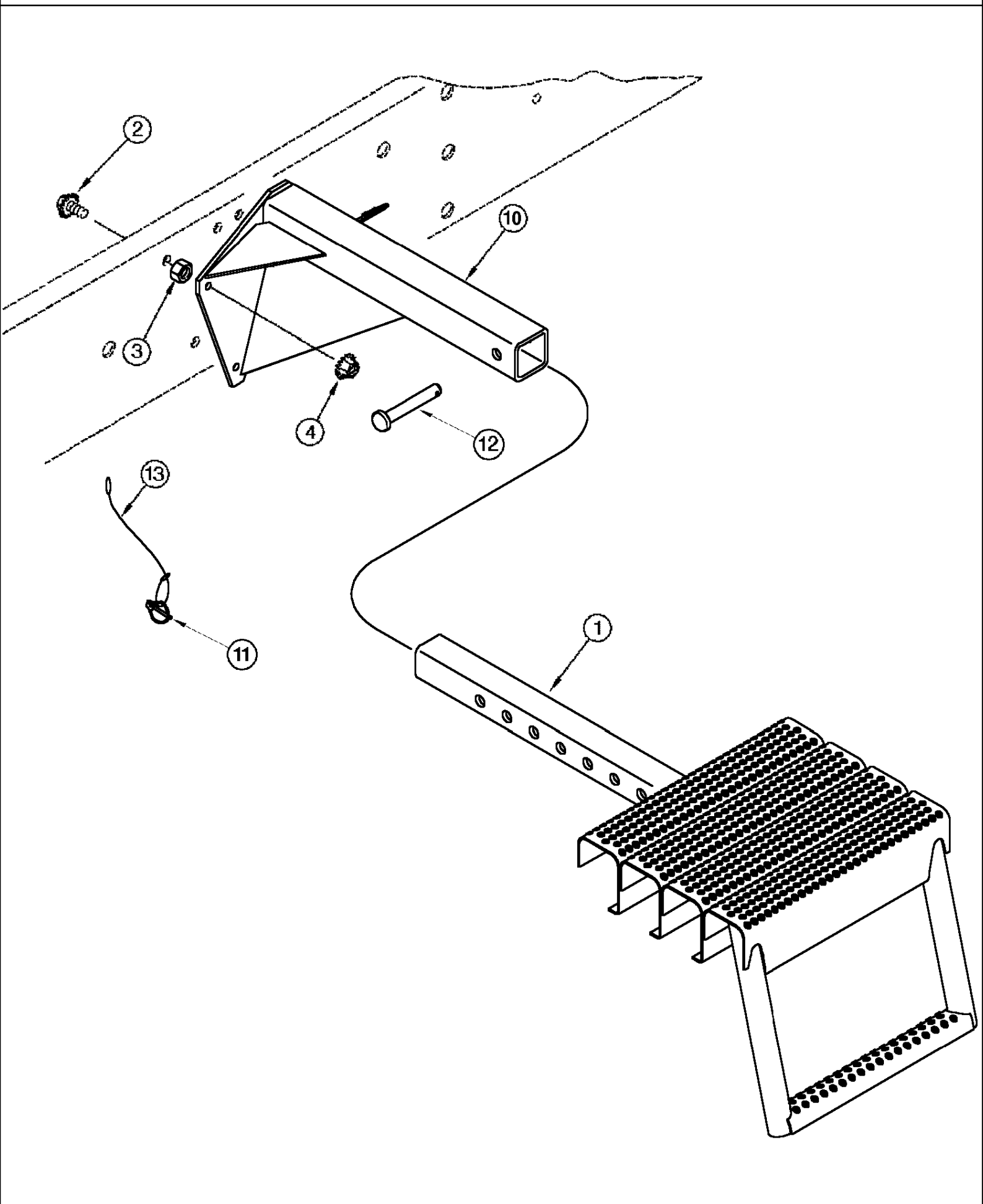
09H-11 HAND RAILS - DECK, SERVICE



09H-11 HAND RAILS - DECK, SERVICE

Ref	Part Number	Qty	Description
1	356330A1	1	HANDRAIL, Left Hand
2	477-73112	2	BOLT, Slotted Tr Hd, 5/16"-18 x 3/4",
3	231-5145	2	NUT, Flg, USR, 5/16"-18,
4	495-81121	1	WASHER, .344" x 1 1/2" x .060",
5	477-73112	3	BOLT, Slotted Tr Hd, 5/16"-18 x 3/4",
6	231-5145	3	NUT, Flg, USR, 5/16"-18,
7	87547889	1	HANDRAIL, Right Hand
8	409-7512	4	BOLT, Hex Flg, 5/16"-18 x 3/4", Serr,
9	231-5145	4	NUT, Flg, USR, 5/16"-18,
11	477-73116	3	SCREW, Sltd Serr Truss Hd, 5/16"-18 x 1",
12	231-5145	3	NUT, Flg, USR, 5/16"-18,
14	477-73112	2	BOLT, Slotted Tr Hd, 5/16"-18 x 3/4",
15	231-5145	6	NUT, Flg, USR, 5/16"-18,
16	3179827R1	1	HANDRAIL, Australia Only
17	495-11034	6	WASHER, 5/16", SAE,
18	495-81024	2	WASHER, 17/32" x 1 1/4" x .060",

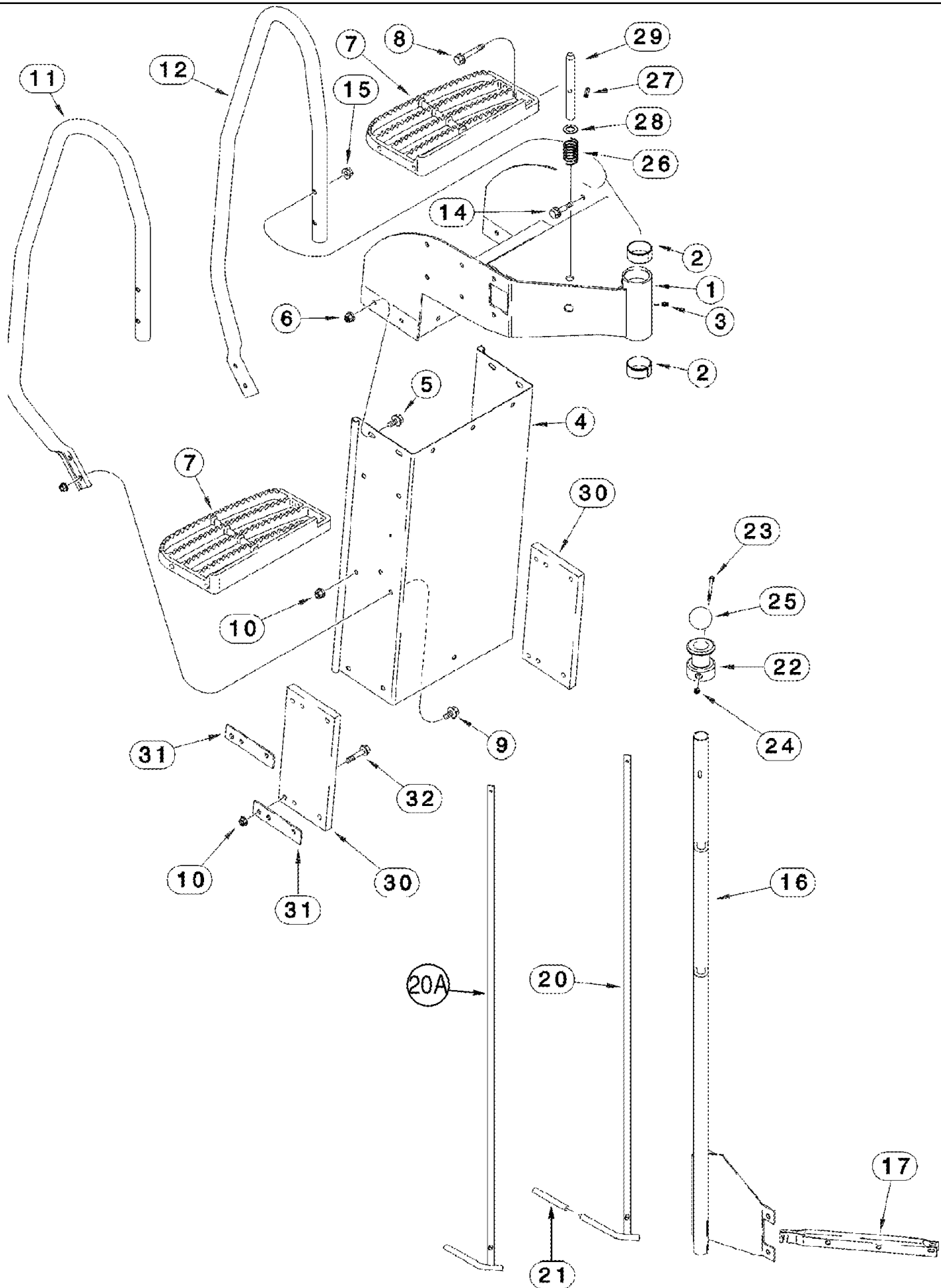
09H-12 LADDER - RADIATOR ACCESS



09H-12 LADDER - RADIATOR ACCESS

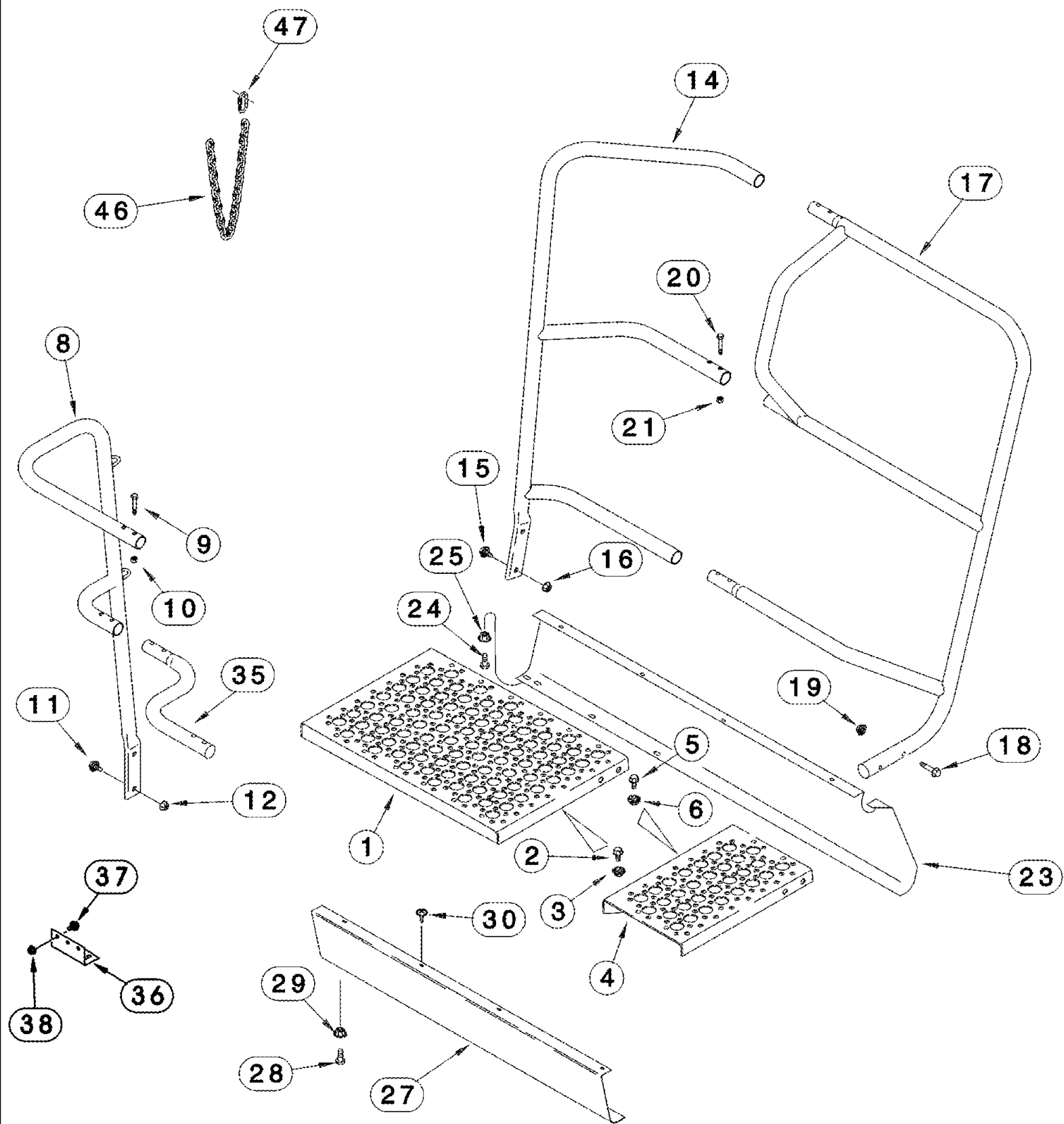
Ref	Part Number	Qty	Description
1	87412228	1	STEP, Radiator Access
2	409-7612	4	BOLT, Hex Flg, 3/8"-16 x 3/4", Serr,
3	131-415	4	NUT, LOCK, Push, Bolt Retainer, 3/8" x 25/32",
4	231-5146	4	NUT, Flg, USR, 3/8"-16,
5	231-5346	1	NUT, LOCK, Flg, 3/8"-16,
6	418690A1	2	PLATE,
7	477-73112	2	BOLT, Slotted Tr Hd, 5/16"-18 x 3/4",
8	231-5145	2	NUT, Flg, USR, 5/16"-18,
10	87412230	1	SUPPORT, Support, Radiator Access
11	A33497	1	PIN, LINCH,
12	87024650	1	PIN, HEADED, 5/8 x 3
13	427336A1	1	CABLE, 457 mm (18 in)

09H-13 LADDER, OPERATORS



09H-13 LADDER, OPERATORS

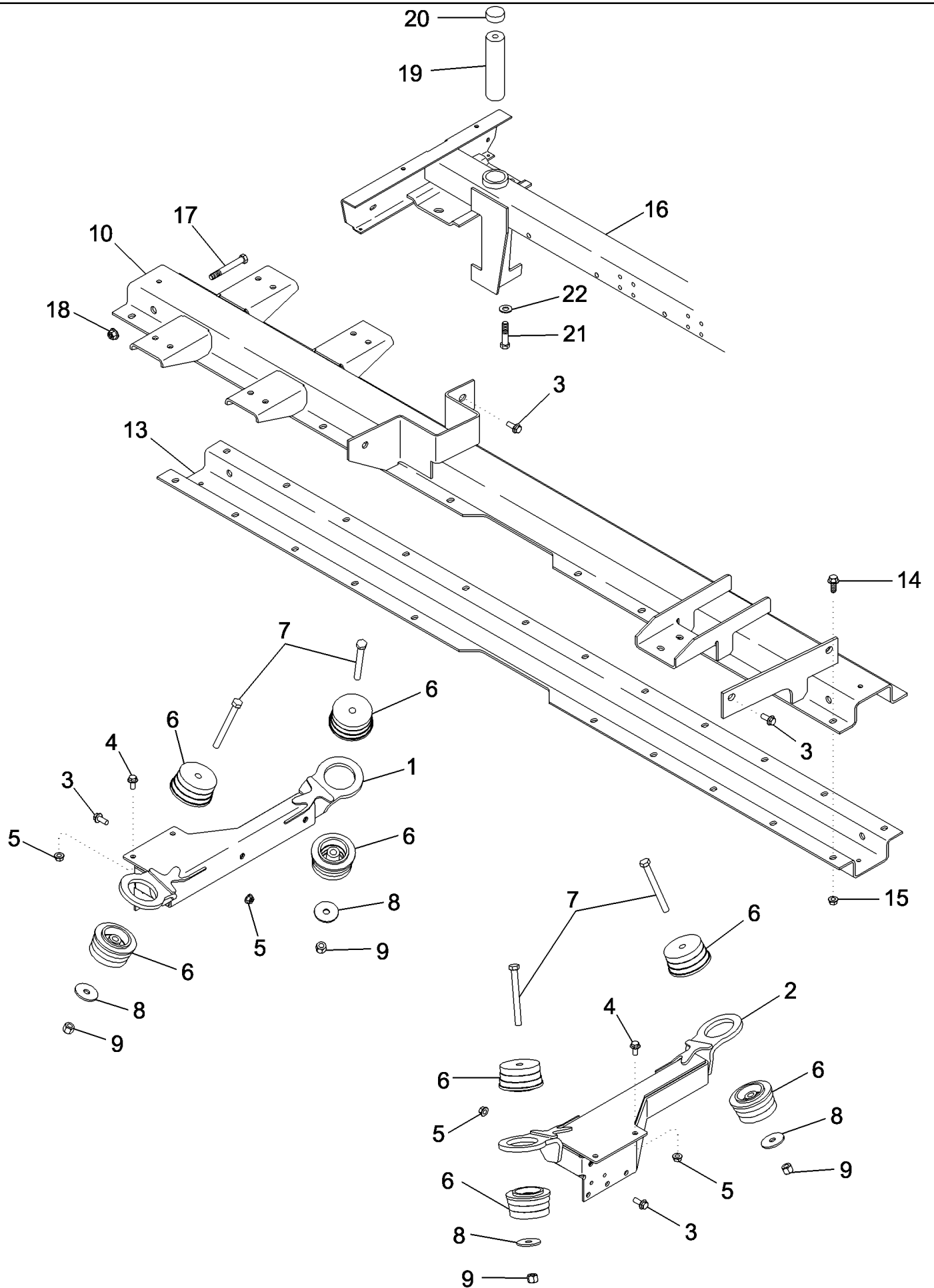
Ref	Part Number	Qty	Description
1	87549001	1	SUPPORT, Inc. 2, 3
2	142381A1	2	BUSHING,
3	219-87	1	NIPPLE, LUBE, 1/4"-28 x .56" lg, Self-Tap,
4	87551541	1	CHASSIS, Channel, Ladder Rear
5	409-7612	7	BOLT, Hex Flg, 3/8"-16 x 3/4", Serr,
6	231-5146	7	NUT, Flg, USR, 3/8"-16,
7	87301185	5	STEP,
8	409-7640	2	BOLT, Hex Flg, 3/8"-16 x 2 1/2", Serr,
9	409-7616	16	BOLT, Hex Flg, 3/8"-16 x 1", Serr,
10	231-5146	16	NUT, Flg, USR, 3/8"-16,
10	231-5346	3	NUT, LOCK, Flg, 3/8"-16,
11	87547879	1	RAMP, Handrail, Right Hand
12	87547881	1	RAMP, Left Hand
14	409-7632	10	BOLT, Hex Flg, 3/8"-16 x 2", Serr,
15	231-5346	10	NUT, LOCK, Flg, 3/8"-16,
16	87552364	1	PACKAGE,SERVICE, Inc. 16A, If Used
16A	87568949	1	DECAL, Ladder Unlatch, (Not Shown), See Figure 09H-22, REF 15A
17	87547877	1	LEVER, Latch, Ladder
20A	364437A1	1	LATCH, If Used
21	324455A1	1	PROTECTOR, Cap
22	349015A1	1	KNOB, Ladder Latch
23	840-1660	1	SCREW, Cross Pan Hd, M6 x 60,
24	832-10406	1	NUT, LOCK, M6 x 1, CI 8,
25	349014A1	1	KNOB, Use Loctite No. 425, Refer To 35
26	338153A1	1	SPRING,
27	38-32024	1	PIN, 5/16" x 1 1/2", Coiled,
28	495-81039	1	WASHER, 25/32" x 1 1/4" x .120",
29	320917A1	1	PIN, 176.25 mm Long
30	87301176	2	SUPPORT, Ladder Bottom Step
31	87301177	4	PLATE,
32	409-7620	3	BOLT, Hex Flg, 3/8"-16 x 1 1/4", Serr,
32	121-437	1	SCREW, Hex Soc Hd, Shdr, 3/8"-16 x 1 1/2",
35	REF	AR	INSTRUCTION, Adhesive, Loctite 425, Purchase Locally



09H-14 PLATFORM, OPERATORS - LEFT HAND

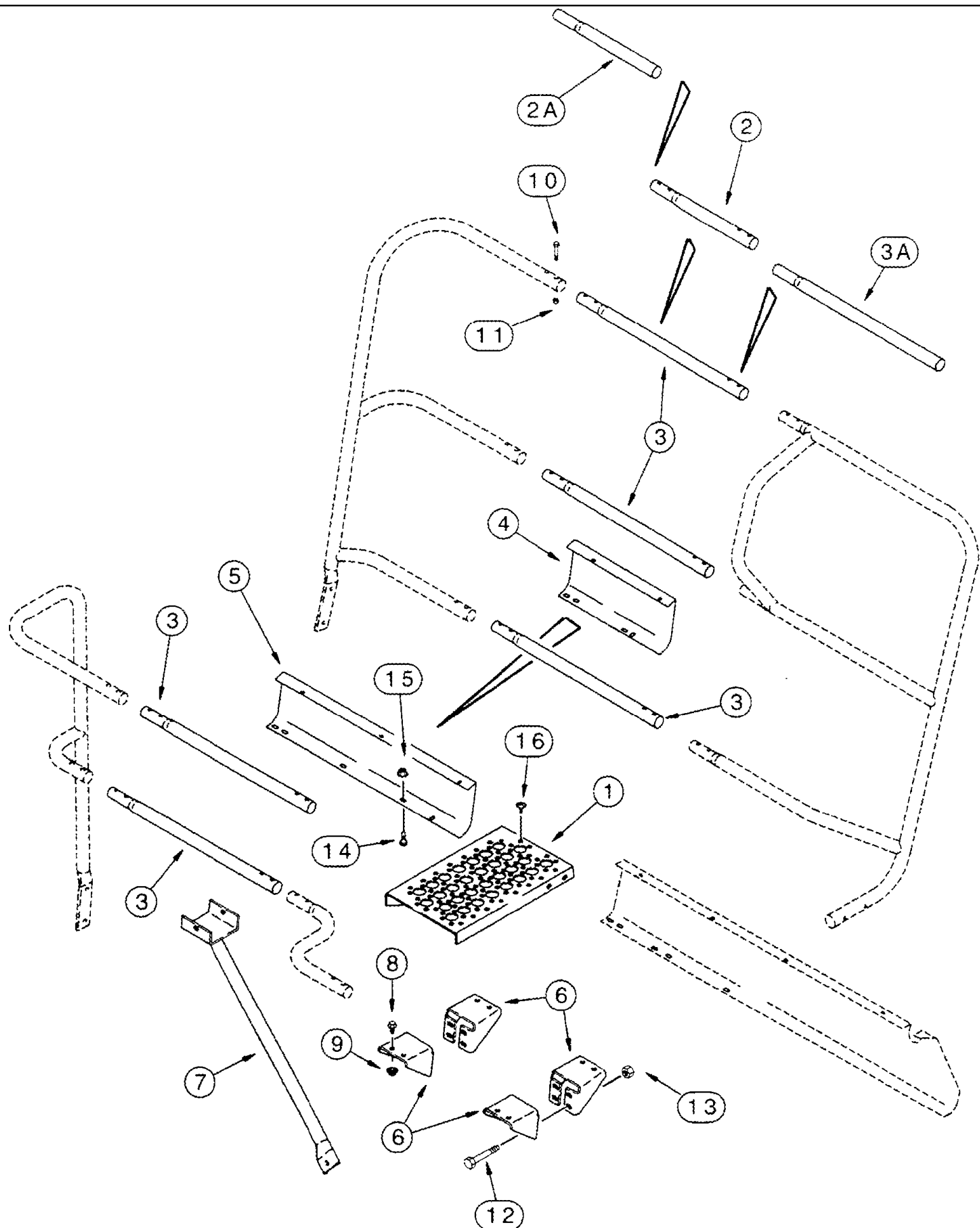
Ref	Part Number	Qty	Description
1	142163A2	1	PLATFORM, 30 in
2	409-7616	4	BOLT, Hex Flg, 3/8"-16 x 1", Serr,
3	231-5146	4	NUT, Flg, USR, 3/8"-16,
4	124315A1	1	STEP, 10 in, See Figure 09H-16
5	409-7616	4	BOLT, Hex Flg, 3/8"-16 x 1", Serr,
6	231-5146	4	NUT, Flg, USR, 3/8"-16,
8	87547863	1	RAMP, 40 in, Rear
9	413-528	2	BOLT, Hex, 5/16"-18 x 1 3/4", G5,
9	413-532	4	BOLT, Hex, 5/16"-18 x 2", G5,
10	231-1445	6	NUT, LOCK, 5/16"-18, GB,
11	409-7512	2	BOLT, Hex Flg, 5/16"-18 x 3/4", Serr,
12	231-5145	2	NUT, Flg, USR, 5/16"-18,
14	87547861	1	RAMP, 40 in, Front
15	409-7616	2	BOLT, Hex Flg, 3/8"-16 x 1", Serr,
16	231-5146	2	NUT, Flg, USR, 3/8"-16,
17	87547853	1	RAMP, Front
18	409-7632	2	BOLT, Hex Flg, 3/8"-16 x 2", Serr,
19	231-5346	2	NUT, LOCK, Flg, 3/8"-16,
20	413-528	6	BOLT, Hex, 5/16"-18 x 1 3/4", G5,
21	231-1445	6	NUT, LOCK, 5/16"-18, GB,
23	127718A2	1	SUPPORT,
24	477-82512	1	SCREW, Sltd Serr Truss Hd, 1/4"-20 x 3/4",
25	231-5144	1	NUT, Flg, USR, 1/4"-20,
27	326938A1	1	CHANNEL, 40 in, Left Hand Rear
28	477-82512	1	SCREW, Sltd Serr Truss Hd, 1/4"-20 x 3/4",
29	231-5144	1	NUT, Flg, USR, 1/4"-20,
30	282-1448	8	SCREW, SELF TAPPING, Hex Wash Hd, #8 x 1/2",
35	87547859	1	TUBE, Center
36	141049A2	2	SUPPORT,
37	409-7512	4	BOLT, Hex Flg, 5/16"-18 x 3/4", Serr,
38	231-5145	4	NUT, Flg, USR, 5/16"-18,
46	324546A1	2	CHAIN,
47	326376A2	4	LINK, Ladder Chain

09H-15 PLATFORM SUPPORT - LADDER PIVOT



09H-15 PLATFORM SUPPORT - LADDER PIVOT

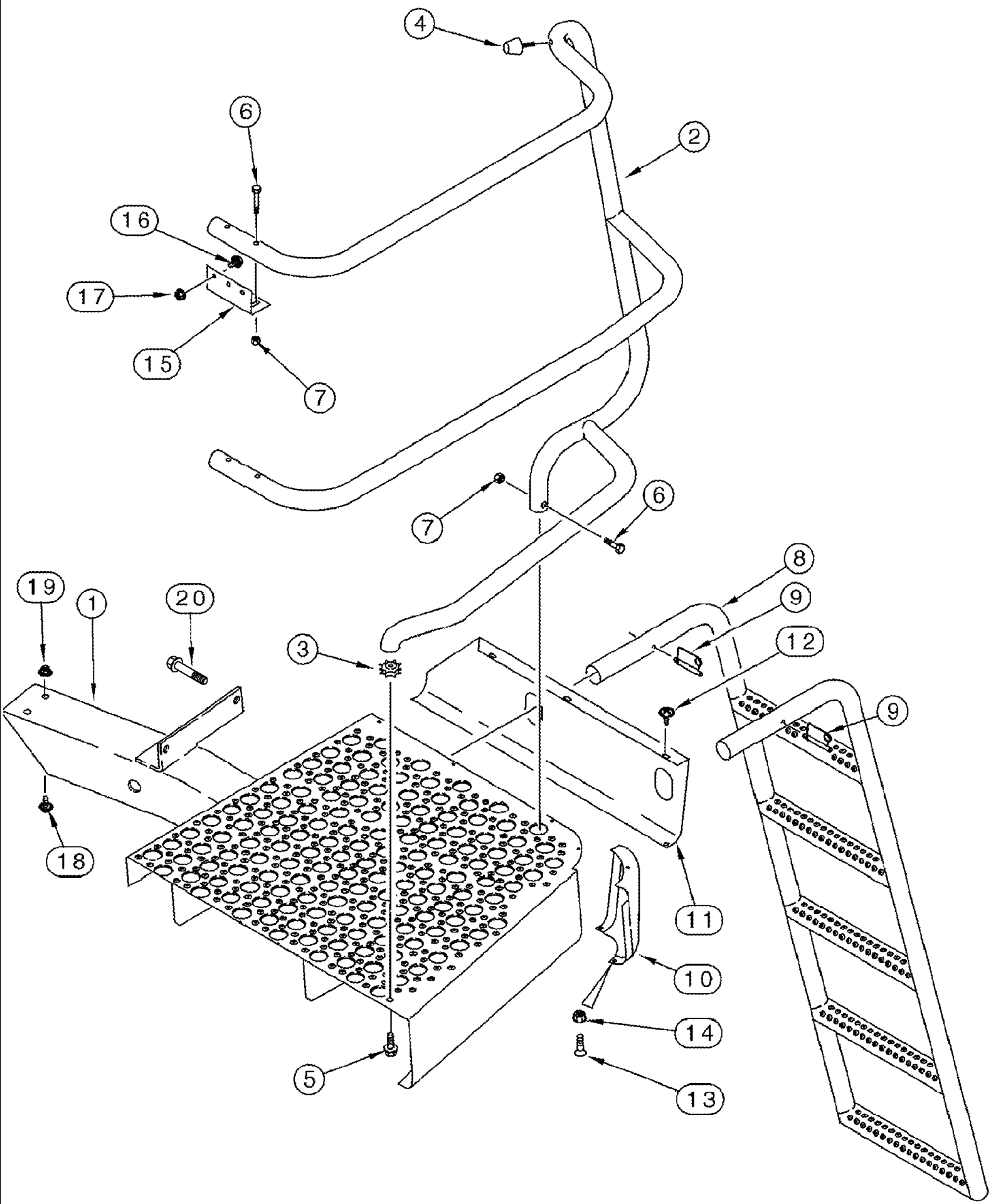
Ref	Part Number	Qty	Description
1	87386691	1	MOUNTING PARTS, Cab, Left Hand
2	87386692	1	MOUNTING PARTS, Cab, Right Hand
3	87030508	15	BOLT, Hex Flg, M12 x 30, 10.9, Full Thd,
4	87343550	4	BOLT,
5	86512497	10	NUT, M12 x 1.75, Flg, CI 10,
6	123566A1	8	ISOLATOR,
7	426-1096	4	BOLT, Hex, 5/8"-11 x 6", G8,
8	87032338	4	WASHER, 21/32" x 2 1/2" x .188", HDN,
9	232-41110	4	NUT, LOCK, 5/8"-11, GC,
10	87386693	1	CHANNEL, Left Hand
13	182648A1	1	SUPPORT, Left Hand
14	409-7616	23	BOLT, Hex Flg, 3/8"-16 x 1", Serr,
15	231-5146	23	NUT, Flg, USR, 3/8"-16,
	324547A2	1	BEAM ASSY., Inc. 16, 16A
16	87609277	1	BEAM ASSY., Left Hand
16A	191129A1	1	DECAL, (Not Shown), See Figure 09H-19, REF 13
17	413-880	1	BOLT, Hex, 1/2"-13 x 5", G5,
18	231-5348	1	NUT, LOCK, Flg, 1/2"-13,
19	320946A1	1	PIN,
20	324464A1	1	PLUG,
21	413-620	1	BOLT, Hex, 3/8"-16 x 1 1/4", G5, Full Thd,
22	495-21044	1	WASHER, 3/8",



09H-16 PLATFORM, OPERATORS - EXTENSION

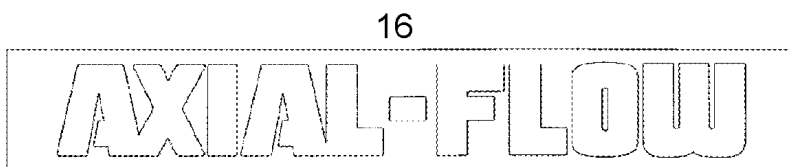
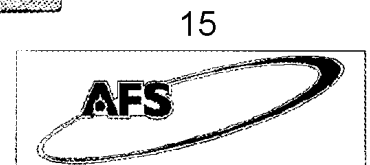
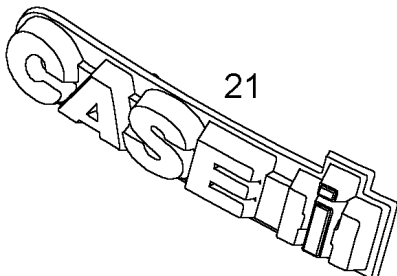
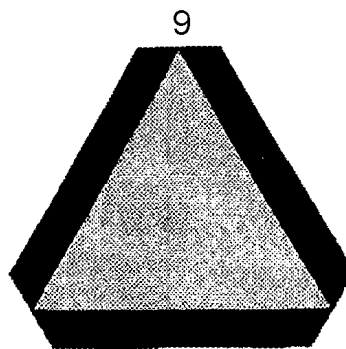
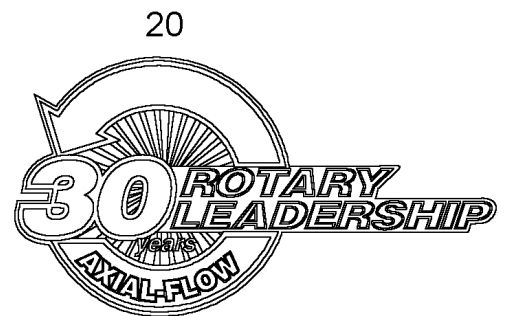
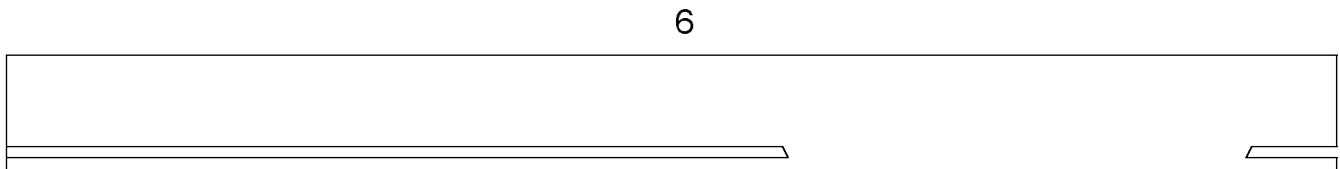
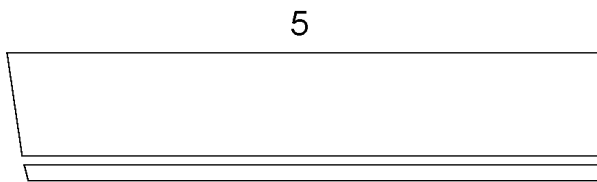
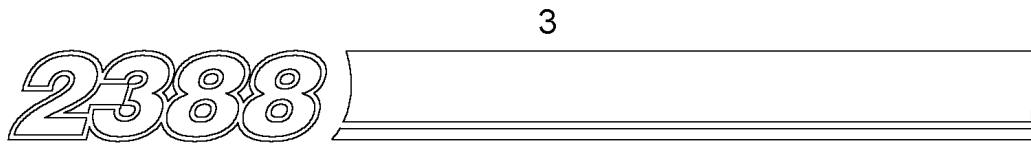
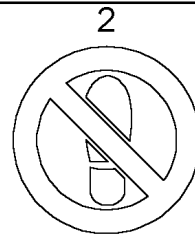
Ref	Part Number	Qty	Description
1	124315A1	1-2	STEP, 10 Inch Extension
2	87547867	4	TUBE, 12-3/4, For 10 Inch Extension
2A	87547865	1	TUBE, 12-3/4, Upper, For 10 Inch Extension
3	87547871	4	TUBE, 22-3/4, For 20 Inch Extension
3A	87547869	1	TUBE, 22-3/4, Upper, For 20 Inch Extension
4	127719A2	1	SHIELD, For 10 Inch Extension
5	127720A2	1	SHIELD, For 20 Inch Extension
6	143819A1	2-4	SUPPORT,
7	143822A1	1	SUPPORT,
8	409-7616	8	BOLT, Hex Flg, 3/8"-16 x 1", Serr,
9	231-5146	8	NUT, Flg, USR, 3/8"-16,
10	413-528	4	BOLT, Hex, 5/16"-18 x 1 3/4", G5,
11	231-1445	4	NUT, LOCK, 5/16"-18, GB,
12	413-672	8	BOLT, Hex, 3/8"-16 x 4 1/2", G5,
13	231-5146	8	NUT, Flg, USR, 3/8"-16,
14	477-82512	1	SCREW, Slt'd Serr Truss Hd, 1/4"-20 x 3/4",
15	231-5144	1	NUT, Flg, USR, 1/4"-20,
16	260-1448	4	SCREW, SELF TAPPING, Cross Pan Hd, #8 x 1/2",

09H-17 PLATFORM - LADDER, RIGHT HAND



09H-17 PLATFORM - LADDER, RIGHT HAND

Ref	Part Number	Qty	Description
1	87386694	1	PLATFORM ASSY., Right Hand, BSN HAJ301503
1	87614880	1	PLATFORM ASSY., Right Hand, ASN HAJ301503
2	87547885	1	HANDRAIL, Right Hand
3	140225A2	1	TUBE,
4	87109195	1	BUMPER,
5	409-7520	1	BOLT, Hex Flg, 5/16"-18 x 1 1/4", Serr,
6	413-532	5	BOLT, Hex, 5/16"-18 x 2", G5,
7	231-1445	5	NUT, LOCK, 5/16"-18, GB,
8	87547883	1	LADDER, Right Hand
9	1338021C1	2	PIN,
10	118938A1	1	SUPPORT, Right Hand, Corner
11	118937A2	1	SUPPORT, Right Hand, Front
12	282-1448	4	SCREW, SELF TAPPING, Hex Wash Hd, #8 x 1/2",
13	440-1258	2	SCREW, Cross Pan Hd, 1/4"-20 x 1/2",
14	231-5344	2	NUT, LOCK, Flg, 1/4"-20,
15	141049A2	2	SUPPORT,
16	409-7512	2	BOLT, Hex Flg, 5/16"-18 x 3/4", Serr,
17	231-5145	4	NUT, Flg, USR, 5/16"-18,
18	409-7616	2	BOLT, Hex Flg, 3/8"-16 x 1", Serr,
19	231-5146	2	NUT, Flg, USR, 3/8"-16,
20	86705431	2	BOLT,



09H-18 DECALS

Ref	Part Number	Qty	Description
1	87558404	1	DECAL, Case IH, Rear
2	84432904	1	DECAL,
3	87556951	1	DECAL, Left Hand
3	87556952	1	DECAL, Right Hand
5	87556980	1	DECAL, Right Hand, Rear
6	87556962	1	DECAL, Left Hand, Middle
6	87556975	1	DECAL, Right Hand, Middle
7	87556977	1	DECAL, Left Hand, Rear
8	87556986	2	DECAL, Axial Flow
9	311858A1	1	DECAL, SMV Emblem
10	1284374C1	2	REFLECTOR, Red
13A	238638A1	1	EMBLEM, AFS, (Not Shown)
13A	239258A1	1	DECAL, AFS Logo, (Not Shown)
15	239504A1	2	DECAL, AFS
16	1987144C1	1	DECAL, Axial-Flow
19	87556985	2	DECAL, Case IH Logo
20	87556992	1	DECAL, 30th Anniversary Axial Flow, Model Year 2007
21	87557775	1	EMBLEM, Case IH Logo

1

WARNING

Ladder force varies. Stay clear when lowering.

2

WARNING

Do not open until all mechanisms have stopped.

4

DANGER

Avoid injury. Always lock feeder lift cylinder before working under header or feeder.

5

WARNING

- Carefully read Operator's Manual before operating the machine. Observe instructions and safety rules when operating.
- Do not turn off key switch while machine is in motion. The machine will stop rapidly. Personal injury may occur.
- Engine shut off is located at the rear position of the engine speed control, on the right console.

6

WARNING

Stay clear while machine is running.

7

DANGER

Do not enter grain tank when machine is running.

8

DANGER

Keep hand out of auger sump when machine is running.

9

WARNING

Shields are provided to guard these moving parts. Avoid injury. Keep them in place.

13

WARNING

Avoid injury. Shut off engine before adjusting, cleaning, repairing, servicing or unplugging the machine.

10

WARNING

Avoid falls. Do not enter grain tank in this area.

11

WARNING

Contact with belt may engage drive. Stop engine to avoid injury.

12

WARNING

Do not enter drive area when engine is running.

18

WARNING

PRESSURIZED VESSEL !
Discharge before disassembly. Read the Operator's Manual. Precharge only with dry inert gas...

14

WARNING

SHIELDS are provided to guard these moving parts. AVOID INJURY. Keep them in place.

15

WARNING

The tires on this machine are mounted on MULTI-PIECE WHEEL RIMS. Normal inflation pressure is 10 psi. Use a dip or air chuck, remote control valve, and gauge to add air. Inflation is up to below 9 psi, refer to your Operator's Manual and contact qualified tire personnel to repair the tire wheel assembly.

16

WARNING

The force required to lower this ladder changes with ladder position. Firmly grip the handle. Stand clear and keep everyone clear of ladder while lowering.

20

WARNING

HOT LIQUID UNDER PRESSURE HAZARD
Service when cool.

19

WARNING

INSTRUCTIONAL SEAT

- Intended for limited use for training or diagnostic purposes ONLY.
- Use extreme caution operating the vehicle when using seat.
- Use seat belt.
- Read Operator's Manual for safety information.

An accident could result in death or serious injury to the occupant.

21

WARNING

HOT SURFACE HAZARD
STAY CLEAR

17

CAUTION

Use caution to avoid injury. When using the seat, use proper technique. Do not use the seat for anything other than its intended purpose. Do not use the seat for anything other than its intended purpose. Do not use the seat for anything other than its intended purpose.

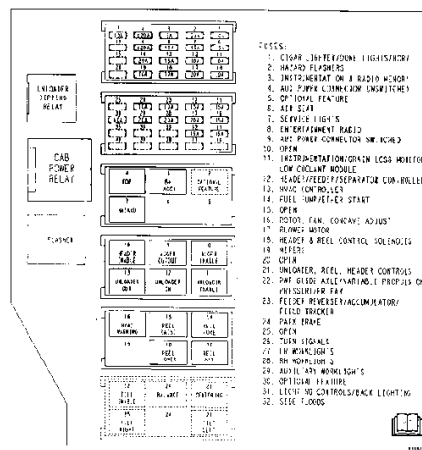
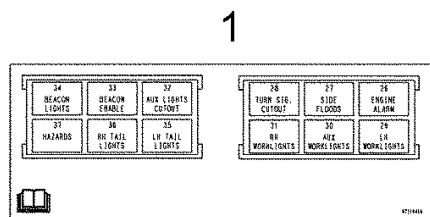
09H-19 DECALS - WARNING AND DANGER

Ref	Part Number	Qty	Description
1	144370A1	1	DECAL, Ladder Force Varies, English
1	182172A2	1	DECAL, Ladder Force Varies, French
1	182177A1	1	DECAL, Ladder Force Varies, Spanish
1	278565A2	1	DECAL, Ladder Force Varies, Portuguese
1	144371A1	1	DECAL, Ladder Force Varies, Europe/Russian
2	181595A1	2	DECAL, Do Not Open, English
2	182179A2	2	DECAL, Do Not Open, French
2	182180A1	2	DECAL, Do Not Open, Spanish
2	278579A2	2	DECAL, Do Not Open, Portuguese
2	144373A1	3	DECAL, Do Not Open, Europe/Russian
3	184094A1	2	DECAL, Use With REF 2, (Not Shown)
4	144379A1	2	DECAL, Avoid Injury, English
4	182187A1	2	DECAL, Avoid Injury, French
4	182188A1	2	DECAL, Avoid Injury, Spanish
4	278567A1	2	DECAL, Avoid Injury, Portuguese
5	394986A1	1	DECAL, Read the Operator's Manual, English
5	87338365	1	DECAL, Read the Operator's Manual, French
5	87338790	1	DECAL, Read the Operator's Manual, Spanish
5	233448A1	1	DECAL, Read the Operator's Manual, Russian
5	144382A1	1	DECAL, Read the Operator's Manual, Europe
6	144388A1	2	DECAL, Stay Clear, English
6	182189A2	2	DECAL, Stay Clear, French
6	182190A1	2	DECAL, Stay Clear, Spanish
6	278573A2	2	DECAL, Stay Clear, Portuguese
6	144389A1	2	DECAL, Stay Clear, Europe/Russian
7	144383A1	3	DECAL, Do Not Enter Grain Tank, English
7	182193A1	3	DECAL, Do Not Enter Grain Tank, French
7	182194A1	3	DECAL, Do Not Enter Grain Tank, Spanish
7	278569A1	3	DECAL, Do Not Enter Grain Tank, Portuguese
7	144374A1	3	DECAL, Do Not Enter Grain Tank Europe/Russian
8	144386A1	1	DECAL, Keep Hand Out Of Auger, English
8	184631A1	1	DECAL, Keep Hand Out Of Auger, French
8	184632A1	1	DECAL, Keep Hand Out Of Auger, Spanish
8	278572A1	1	DECAL, Keep Hand Out Of Auger, Portuguese
8	144387A2	1	DECAL, Keep Hand Out of Auger, Europe/Russian
9	144385A1	4	DECAL, Shields Are Provided, English
9	182191A3	4	DECAL, Shields Are Provided, French
9	182192A2	4	DECAL, Shields Are Provided, Spanish
9	278571A2	4	DECAL, Shields Are Provided, Portuguese
10	182269A1	1	DECAL, Avoid Falls, English
10	184633A2	1	DECAL, Avoid Falls, French
10	184634A1	1	DECAL, Avoid Falls, Spanish
10	278581A2	1	DECAL, Avoid Falls, Portuguese

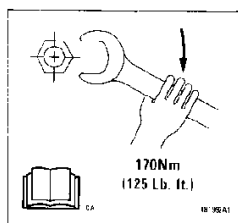
09H-19 DECALS - WARNING AND DANGER

Ref	Part Number	Qty	Description
10	182270A1	1	DECAL, Avoid Falls, Europe/Russian
11	181475A1	1	DECAL, Contact With Belt May Engage Drive, English
11	182181A2	1	DECAL, Contact With Belt May Engage Drive, French
11	182182A1	1	DECAL, Contact With Belt May Engage Drive, Spanish
11	278578A2	1	DECAL, Contact With Belt May Engage Drive, Portuguese
12	181597A1	1	DECAL, Do Not Enter Drive Area, English
12	182183A2	1	DECAL, Do Not Enter Drive Area, French
12	182184A1	1	DECAL, Do Not Enter Drive Area, Spanish
12	278577A2	1	DECAL, Do Not Enter Drive Area, Portuguese
13	191129A1	1	DECAL, Avoid Injury, English
13	191787A2	1	DECAL, Avoid Injury, French
13	191788A1	1	DECAL, Avoid Injury, Spanish
13	278562A2	1	DECAL, Avoid Injury, Portuguese
14	ZA211862	2	DECAL, Shields Are Provided, English
15	301049A1	4	DECAL, Multi Piece Rims, English
15	301050A1	4	DECAL, Multi Piece Rims, French
15	301051A1	4	DECAL, Multi Piece Rims, Spanish
15	301052A1	4	DECAL, Multi Piece Rims, Portuguese
16	1546335C1	1	DECAL, Service Ladder
17	68819C1	1	DECAL, Electrical System is 12 Volt Negative Ground
18	344945A1	1	DECAL, Pressurized Vessel, English
18	344949A1	1	DECAL, Pressurized Vessel, French
18	344947A1	1	DECAL, Pressurized Vessel, Spanish
18	344948A1	1	DECAL, Pressurized Vessel, Portuguese
18	344946A1	1	DECAL, Pressurized Vessel, Europe/Russian
19	410704A1	1	DECAL, Instructional Seat
20	329044A1	1	DECAL, Hot Liquid, English
20	334663A1	1	DECAL, Hot Liquid, French
20	334664A1	1	DECAL, Hot Liquid, Spanish
20	334665A1	1	DECAL, Hot Liquid, Portuguese
20	329045A1	1	DECAL, Hot Liquid, Europe/Russian
21	418242A3	1	DECAL, Hot Surface, English
21	87415862	1	DECAL, Hot Surface, French
21	87415863	1	DECAL, Hot Surface, Spanish
21	87415864	1	DECAL, Hot Surface, Portuguese
21	87415865	1	DECAL, Hot Surface, Europe/Russian

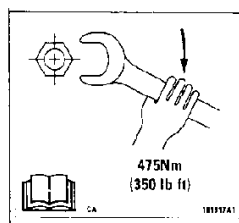
2



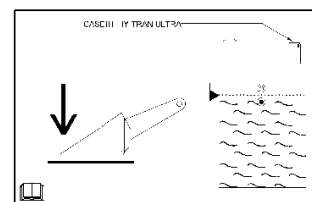
3



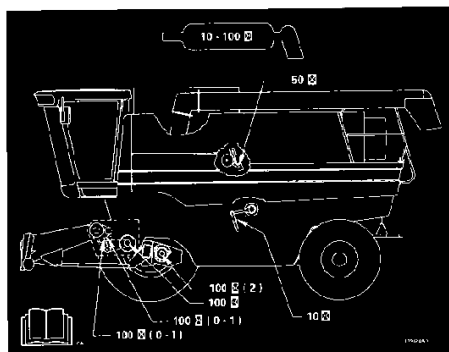
4



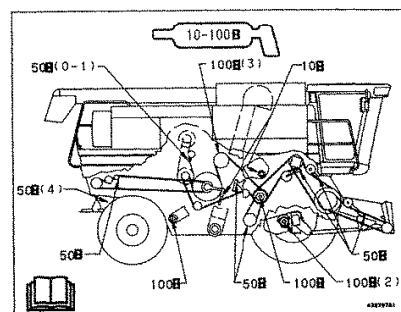
5



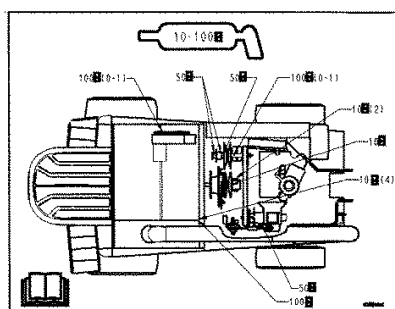
6



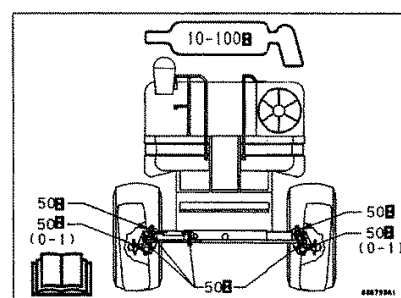
7



8

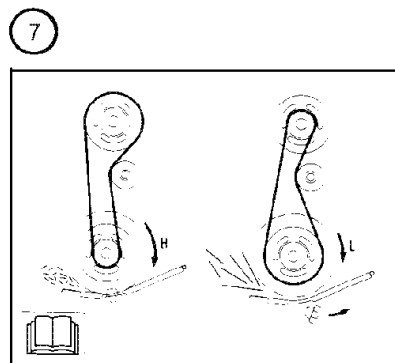
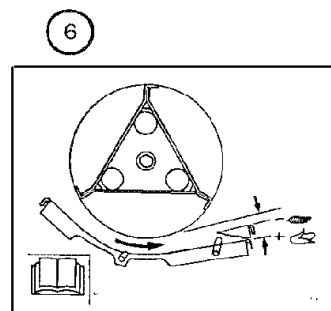
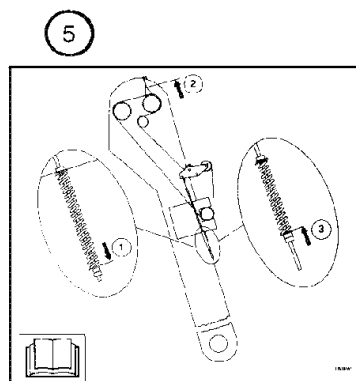
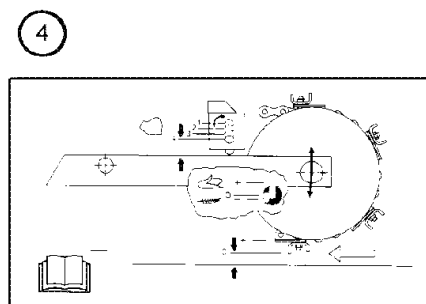
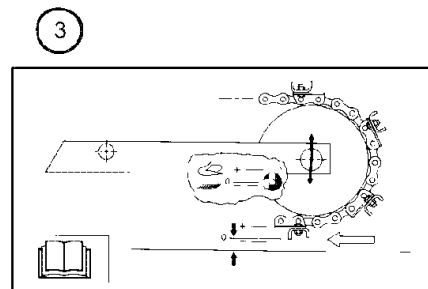
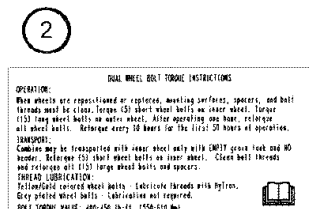
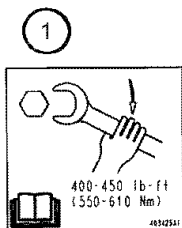


9



09H-20 DECALS - INFORMATION DECALS WITH READ OPERATORS MANUAL SYMBOL

Ref	Part Number	Qty	Description
1	87310415	1	DECAL, Upper Relay, European
1	87310416	1	DECAL, Upper Relay, English
1	87310417	1	DECAL, Upper Relay, French
1	87310418	1	DECAL, Upper Relay, Spanish
1	87310419	1	DECAL, Upper Relay, Non-Text North America Only
1	87310420	1	DECAL, Upper Relay, Portuguese/Brazil
2	87308557	1	DECAL, Lower Fuse and Relay, English
2	87310263	1	DECAL, Lower Fuse and Relay, French
2	87310265	1	DECAL, Lower Fuse and Relay, Spanish
2	87308558	1	DECAL, Lower Fuse and Relay, Non-Text North America Only
2	87310266	1	Lower Fuse and Relay, Portuguese/Brazil
2	87309149	1	DECAL, Lower Fuse and Relay, Non-Text Europe Only
3	181992A1	2	DECAL, Without Power Guide Axle System
4	181917A2	2	DECAL, With Power Guide Axle System
5	401533A1	1	DECAL, Hydraulic Oil Level
6	179620A2	1	DECAL, Lubrication Chart, Left Hand
7	435797A1	1	DECAL, Lubrication Chart, Right-Hand
8	435798A1	1	DECAL, Lubrication Chart, Upper
9	435799A1	1	DECAL, Inclined Delivery Auger Elevator



09H-21 DECALS - INFORMATION DECALS WITH READ OPERATORS MANUAL SYMBOL

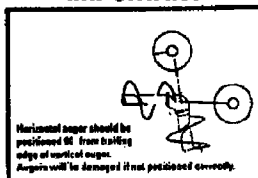
Ref	Part Number	Qty	Description
1	403425A1	2	DECAL, Bolt Torque, Single Drive Wheel
2	448670A1	2	DECAL, Bolt Torque, Dual Wheel
3	175782A1	1	DECAL, Feeder Drum Adjuster, Without Stone Retarder
4	175783A1	1	DECAL, Feeder Drum Adjuster, With Stone Retarder
5	175168A1	1	DECAL, Inclined, Delivery Auger Elevator
6	175786A1	1	DECAL, Beater Bottom Adjuster
7	175788A1	1	DECAL, Straw Chopper Drive



IMPORTANT Drive return hose must always be connected to drive pressure coupler whenever not connected to header.

1

IMPORTANT



2

IMPORTANT

Keep engine and engine compartment clean of oil, chaff and straw to prevent fires.

3

Adjustment of fuel pump beyond factory specs will void warranty on machine.

4



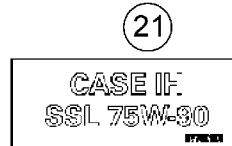
5

CASE IH
135 HEP

6

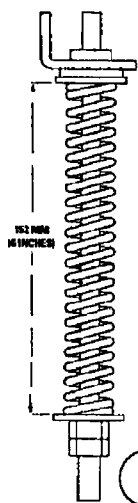


7

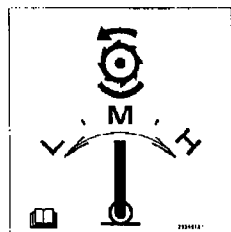


21

20



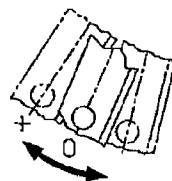
8



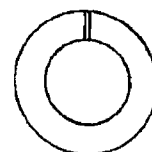
9



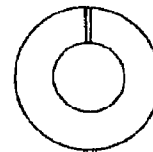
10



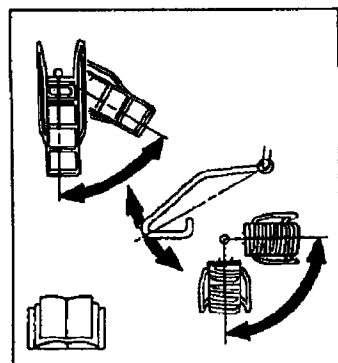
11



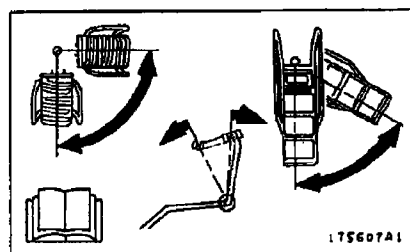
12



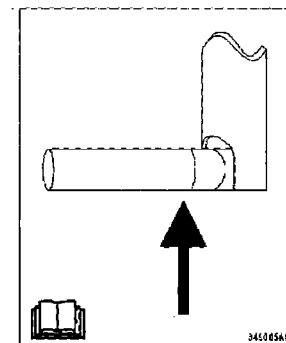
13



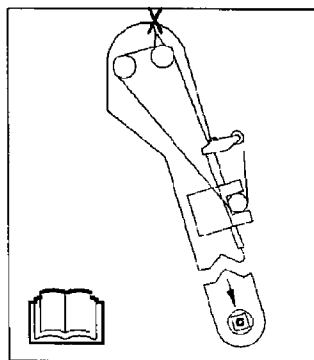
14



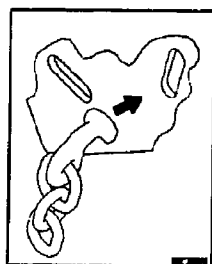
15



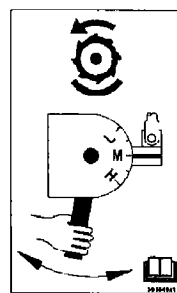
15A



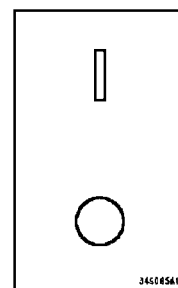
16



17



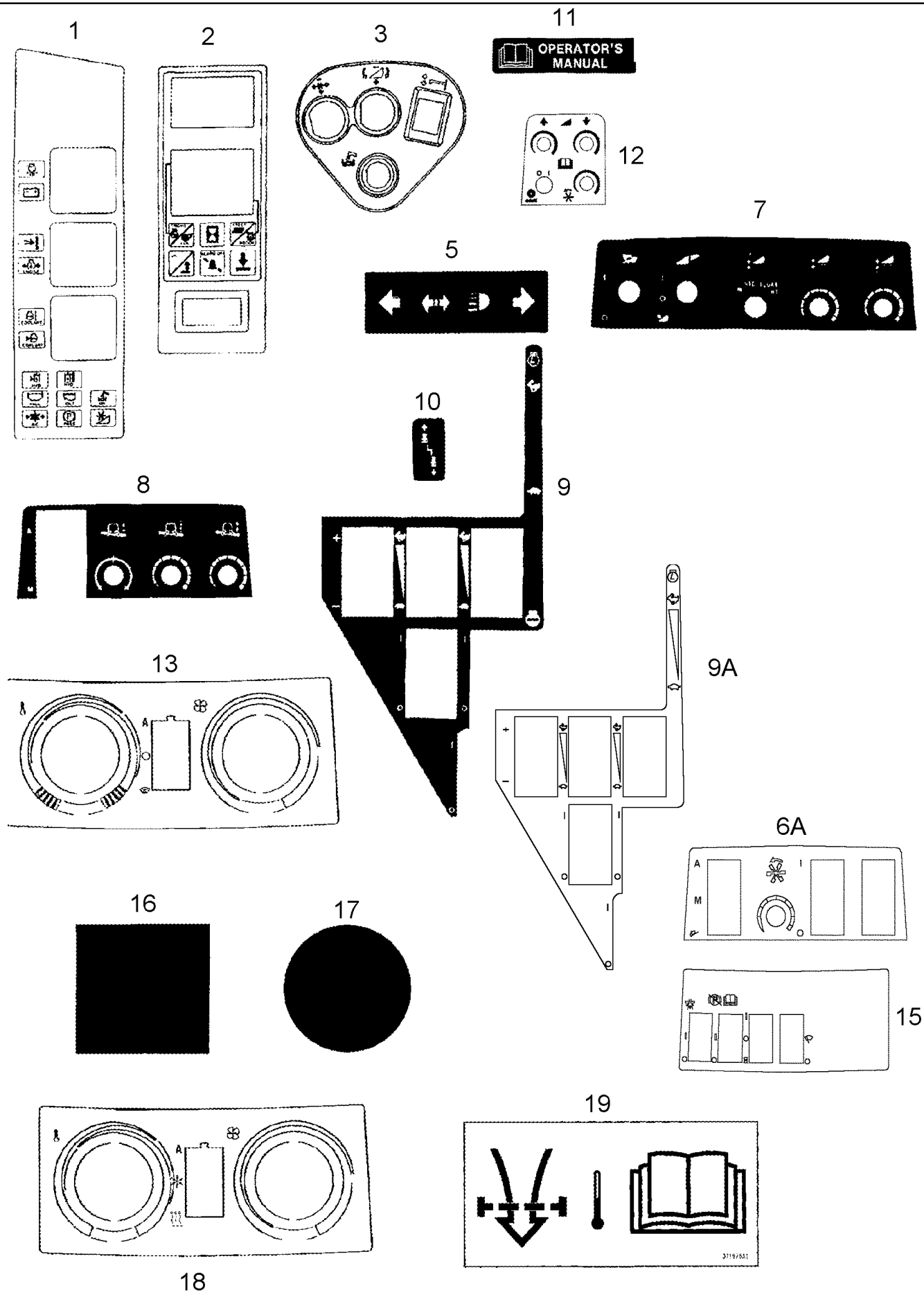
18



19

09H-22 DECALS - IMPORTANT INSTRUCTIONS, DECAL KITS

Ref	Part Number	Qty	Description
1	1989604C1	1	DECAL, Drive Return Instructions, English
1	1989607C1	1	DECAL, Drive Return Instructions, French
1	233453A1	1	DECAL, Drive Return Instructions, Europe/Russian
2	1989314C1	1	DECAL, Horizontal Auger Instructions, English
2	1989648C1	1	DECAL, Horizontal Auger Instructions, French
2	1989650C1	1	DECAL, Horizontal Auger Instructions, Spanish
2	278561A1	1	DECAL, Horizontal Auger Instructions, Portuguese
2	233455A1	1	DECAL, Horizontal Auger Instructions, Europe/Russian
3	173881C1	1	DECAL, Keep Engine and Compartment Clean, English
3	1300039C1	1	DECAL, Keep Engine and Compartment Clean, French
3	1300395C1	1	DECAL, Keep Engine and Compartment Clean, Spanish
3	278559A1	1	DECAL, Keep Engine and Compartment Clean, Portuguese
3	234924A1	1	DECAL, Keep Engine and Compartment Clean, Europe/Russian
4	233452A1	1	DECAL, Warranty, Fuel Pump, Europe/Russian
5	J910778	1	DECAL, Open During Fill
6	144378A1	1	DECAL, CASE IH 135 HEP
7	144483A1	2	DECAL, Fire Extinguisher
8	144369A1	1	DECAL, Elevator Drive Adjustment
9	293460A1	1	DECAL, 3 Speed Rotor Shift
10	1312068C1	1	DECAL, Concave Indicator
11	175784A1	1	DECAL, Vane Position
12	1345266C1	1	WASHER, White, See Figure 08-18 For Reel Drive System
13	1541792C1	1	WASHER, LOCK, Red , See Figure 08-21 For Reel Fore and Aft System
14	175606A1	1	DECAL, Lower Control, Operator Ladder
15	175607A1	1	DECAL, Upper Control, Operator Ladder
15A	87568949	1	DECAL, Ladder Unlatch
16	239313A1	1	DECAL, Elevator Inclined Delivery, GPS/AFS
17	283528A1	4	DECAL, T-Hook
18	303849A1	1	DECAL, 3 Speed Rotor Shift
19	405826A1	1	DECAL, 3 Speed Rotor Shift
20	87571576	1	DECAL, Sieve Adjustment
21	87709106	1	DECAL, CASE IH SSL 75W-90
	368842A2	1	KIT, DECALS, Decal Kit, French
	368843A2	1	KIT, DECALS, Decal Kit, Spanish
	368844A2	1	KIT, DECALS, Decal Kit, Portuguese
	402600A2	1	KIT, DECALS, Decal Kit, Europe/Russian



09H-23 DECALS - CAB

Ref	Part Number	Qty	Description
1	238210A1	1	DECAL, Instrument Panel
2	123716A1	1	DECAL, Instrument Panel
3	144109A2	1	DECAL, Propulsion Control
5	120332A1	1	DECAL, Directional Arrows, Steering Console
	87541875	1	DECAL, Package, Right Hand Console, Inc. 6A, 7, 8, 9A, 10, 11, 12
6A	NSS	1	NOT SERVICED SEPARATELY, Decal, Reel Speed, Right Hand Console
7	NSS	1	NOT SERVICED SEPARATELY, Decal, Separator, Right Hand Console
8	NSS	1	NOT SERVICED SEPARATELY, Decal, Field Tracker, Right Hand Console
9A	NSS	1	NOT SERVICED SEPARATELY, Decal, Concave, Right Hand Console
10	NSS	1	NOT SERVICED SEPARATELY, Decal, Propulsion, Right Hand Console
11	NSS	1	NOT SERVICED SEPARATELY, Decal, Operators Manual, Right Hand Console
12	NSS	1	NOT SERVICED SEPARATELY, Decal, Remote Potentiometer, Right Hand Console
13	368873A2	1	DECAL, Heating and Air Conditioning, Overhead
15	87314018	1	DECAL, Overhead Switch
16	224636A1	1	DECAL, Connector Cover, Cab Exterior
17	282855A1	1	DECAL, Connector Cover
18	259832A2	1	DECAL, Automatic Temperature, Overhead
19	371078A1	1	DECAL, Do Not Block Filter

