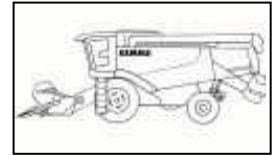


# CLAAS

## SERVICE INFORMATION

Omaha Technical Support,  
05/03/2010



Type of Info: General  
Group: 90  
CLAAS No.: 11100

## LEXION® 500R Series

### Lincoln Industrial Quicklub® Automatic Lubrication System on LEXION 500R Series

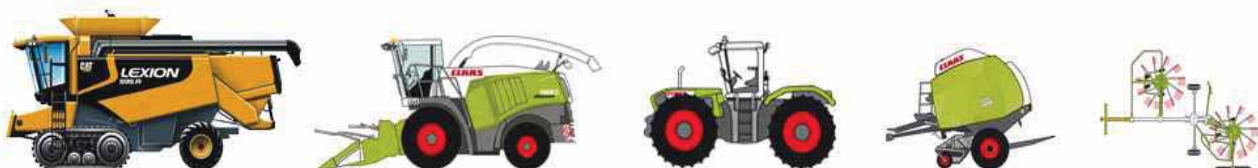
**NOTE:** Service Information Bulletins **Do Not** constitute warranty authorization to update units. This is for informational purposes only.

**MACHINES AFFECTED:** New LEXION 500R Series (rotary separation) with factory installed Lincoln Industrial Quicklub® system.

- **R05 0030** - Lincoln Industrial Quicklub® (590R, 580R, 570R, 560R)
- **R05 0035** - Lincoln Industrial Quicklub® - All inclusive package which includes all grease points covered with R05 0030 as well as MTS track frame grease points (595R, 585R, 575R).

**INFORMATION:** On the machines affected, Lincoln Industrial Quicklub® is available installed from the factory. The following information will illustrate the layout of serviced and non-serviced grease points by the Lincoln Industrial Quicklub® system. Please review Product Information Bulletin located at CLAAS Partner.Net under **Product>LEXION 500 Series>lex\_pb37**. Product Information Bulletin **lex\_pb37** illustrates further sales information.

CLAAS **DOES NOT** offer any after market field installed kit or installation instructions for any Lincoln Industrial Lubrication System for any LEXION combine. Any and all aftermarket Lincoln Industrial Automatic Lubrication Systems for LEXION combines must be procured through a Lincoln Industrial Automatic Lubrication System distributor.



**IMPORTANT!** The factory installed Lincoln Industrial Quicklub® system ***DOES NOT*** service every grease point on the machine. Make certain technicians, owners, operators, and maintenance providers are aware of all service points as illustrated in the machine Operation and Maintenance Manual.

Machines with Lincoln Industrial Quicklub® will require routine inspection and maintenance to ensure all machine components are functioning normally.

**SERVICE,  
PARTS,  
WARRANTY:** All service, parts, and warranty issues regarding Lincoln Industrial Automatic Lubrication Systems must be directed to Lincoln Industrial. Any and all warranty claims involving the Lincoln Industrial Quicklub® system are to be handled directly with the component manufacturer. Refer to Section IV (G) of the CLAAS Warranty Manual.

**LINCOLN  
INDUSTRIAL  
TECHNICAL  
SERVICES:**

- Phone: 1-314-679-4200 ext. 4782#
- Bob Tanner, National Account Manager, cell: 1-314-651-8223
- Fax: 1-314-679-4357
- [www.ClaasAutolube.com](http://www.ClaasAutolube.com)

Omaha Technical Support

Sales order code **R05 0035** for factory installed Lincoln Industrial Quicklub® includes all MTS track frame grease points as well as all machine grease points illustrated in Sketch #2, Lincoln Industrial Quicklub® grease schedule for sales order code **R05 0030**. Please review the following document to identify the grease points which are serviced with the Lincoln Industrial Quicklub® system.

Abbreviations:

- "M" = Grease points which still require manual greasing with a grease gun or suitable device. These items will be highlighted in gray.
- "LQ" = Grease points which receive a measured amount of grease at specific time intervals from the Lincoln Industrial Quicklub® system.
- "N/A" = Grease and other service points which do not apply to the machines with the Lincoln Industrial Quicklub® system installed.

**IMPORTANT!** The factory installed Lincoln Industrial Quicklub® system does not service all lubrication points on the machine. Many service points still require manual inspection and/or service at specified intervals.

The factory installed Lincoln Industrial Quicklub® system has no provisions to service any grease point on CLAAS LEXION front attachments or other non OEM attachments.

Make certain technicians, owners, operators, and maintenance providers are aware of all service points as illustrated in the machine Operation and Maintenance Manual.

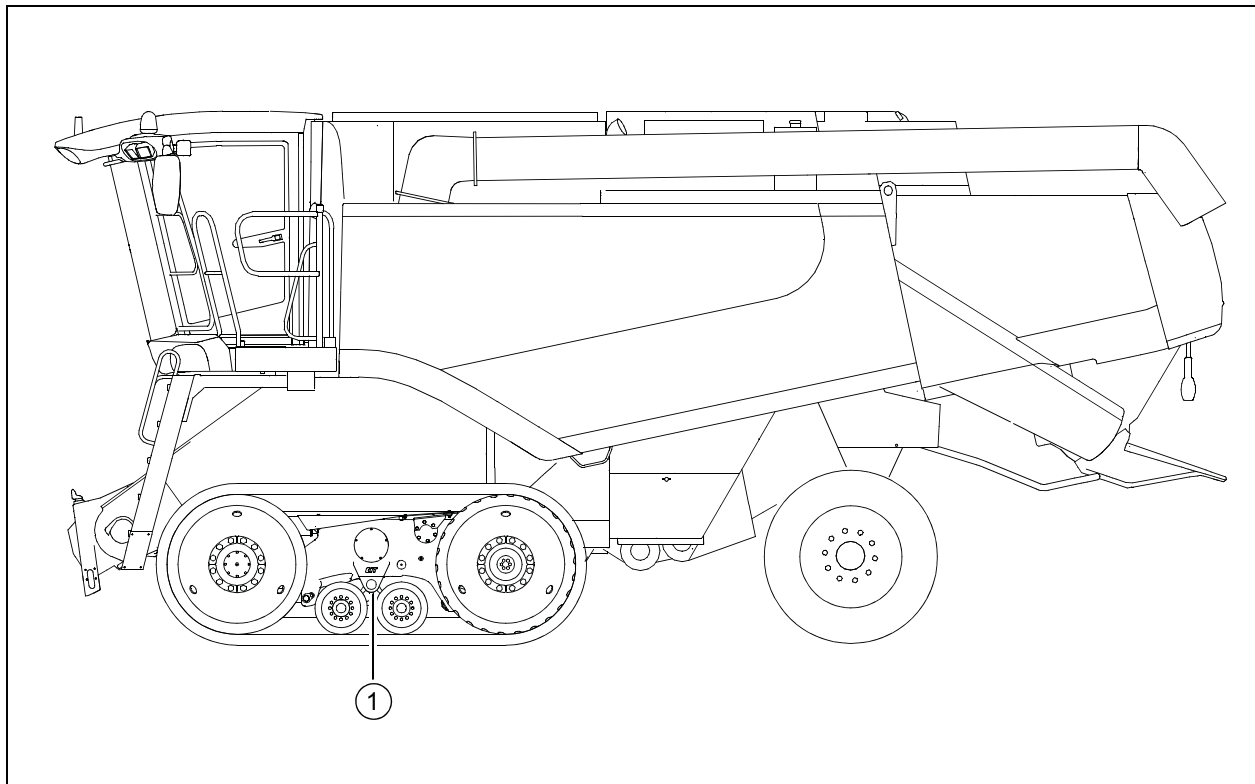
Lube point for grease	M, LQ, or N/A	Valve block - Port	Operating hours (Service intervals for Manual Service Only)					Remarks
			10	50	100	250	500	
1	LQ	MTS - 3						
2	LQ	MTS - 4						
3	LQ	MTS - 9						
4	LQ	MTS - 7						
5	LQ	MTS - 10						
6	LQ	MTS - 8						
7	LQ	MTS - 1						
8	LQ	MTS - 2						

6 Lubrication chart  
6.1 Lubrication points



32913  
18459

6.1.2 Lubrication points - 50 h on the left



7516



3757

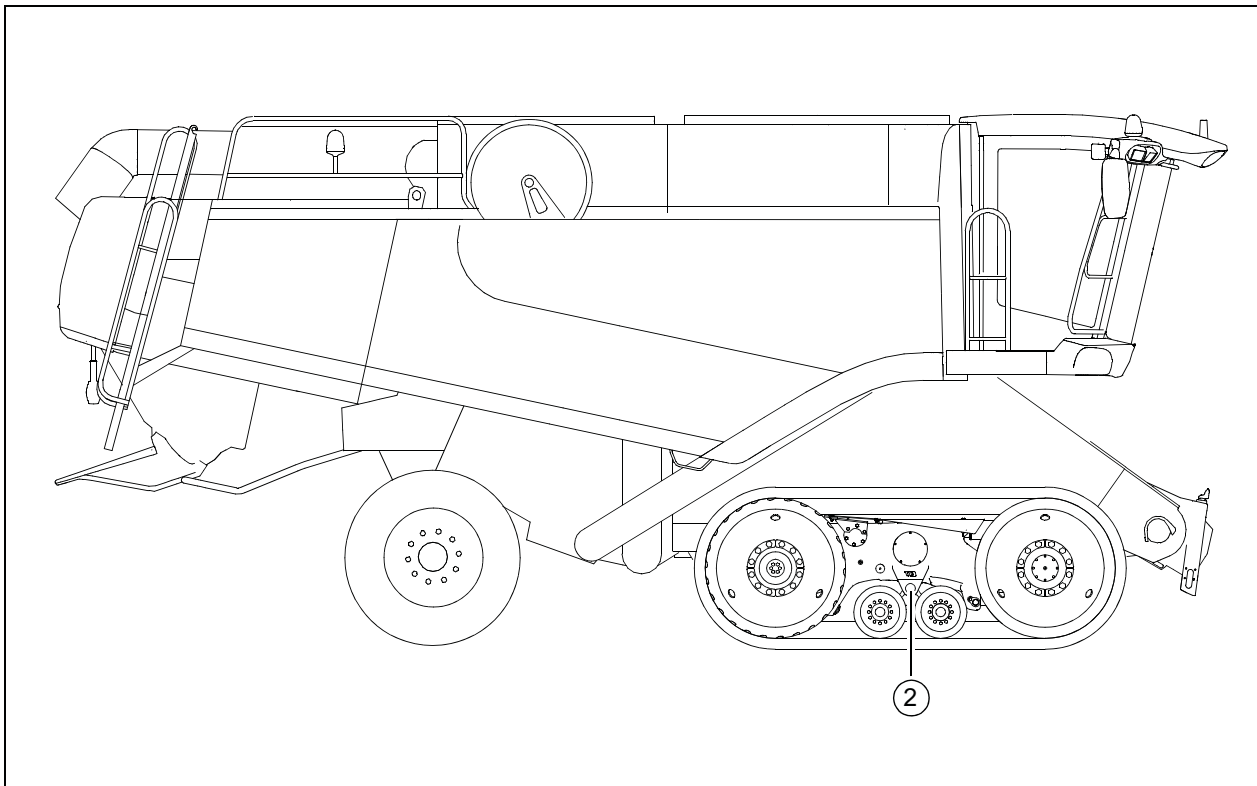
1



6 Lubrication chart  
6.1 Lubrication points

32913  
18460

6.1.3 Lubrication points - 50 h on the right



7517



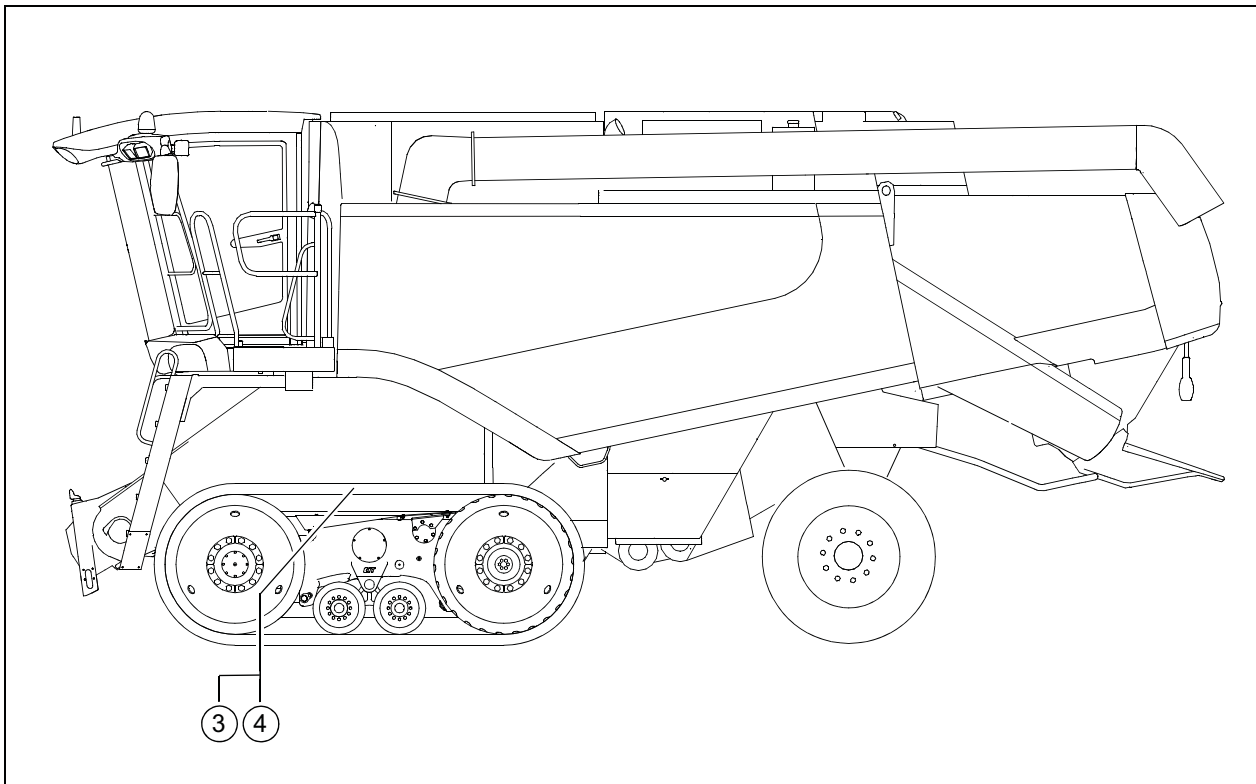
3760 2

6 Lubrication chart  
6.1 Lubrication points



32913  
19740

6.1.4 Lubrication points - 100 h on the left



7516



7795 **3**



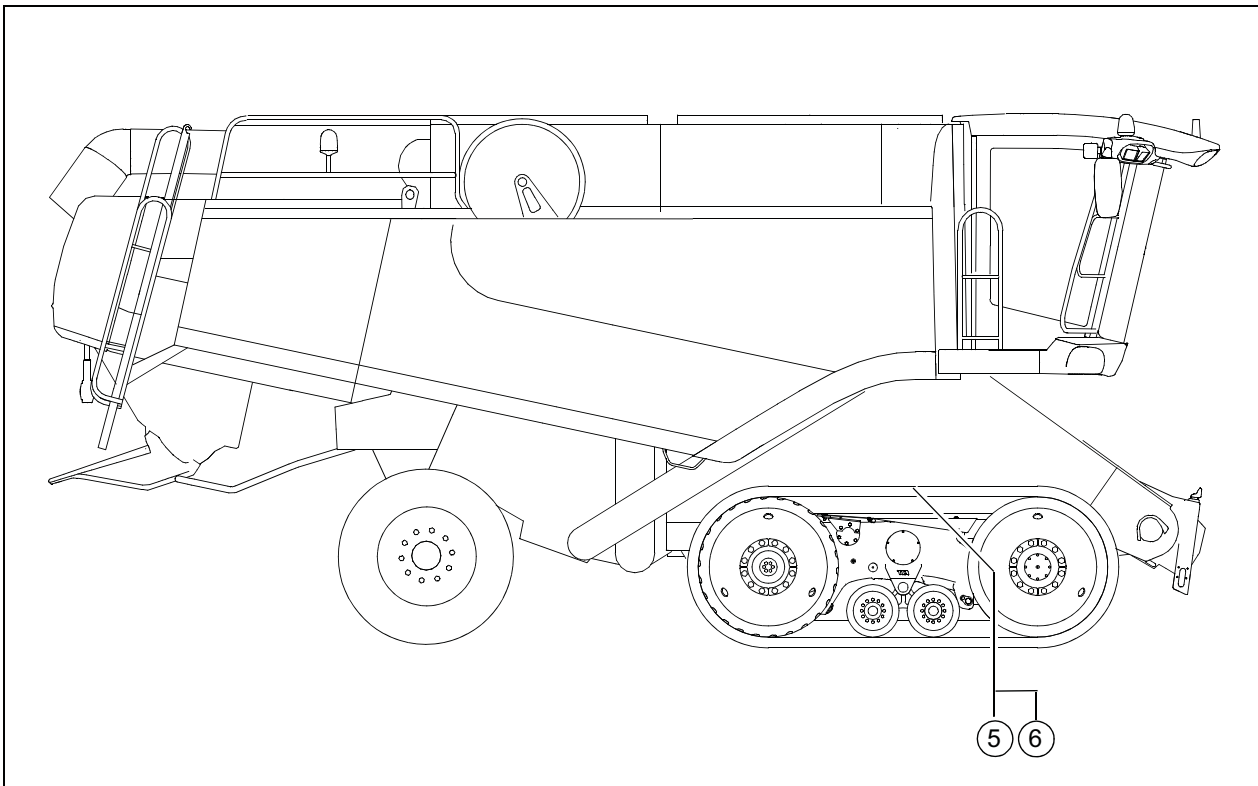
3762 **4**



6 Lubrication chart  
6.1 Lubrication points

32913  
19741

6.1.5 Lubrication points - 100 h on the right



7517



7796 5



3905 6

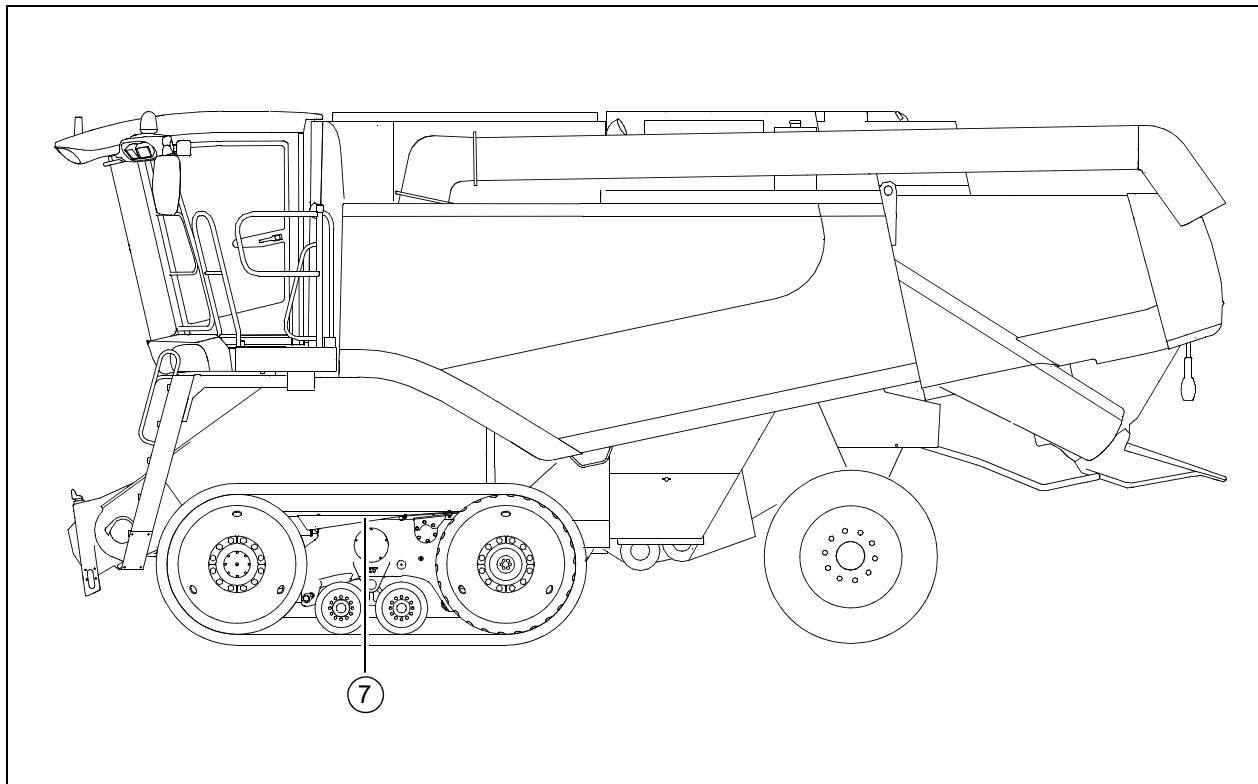


6 Lubrication chart  
6.1 Lubrication points



32913  
20171

6.1.6 Lubrication points - 500 h on the left



7516



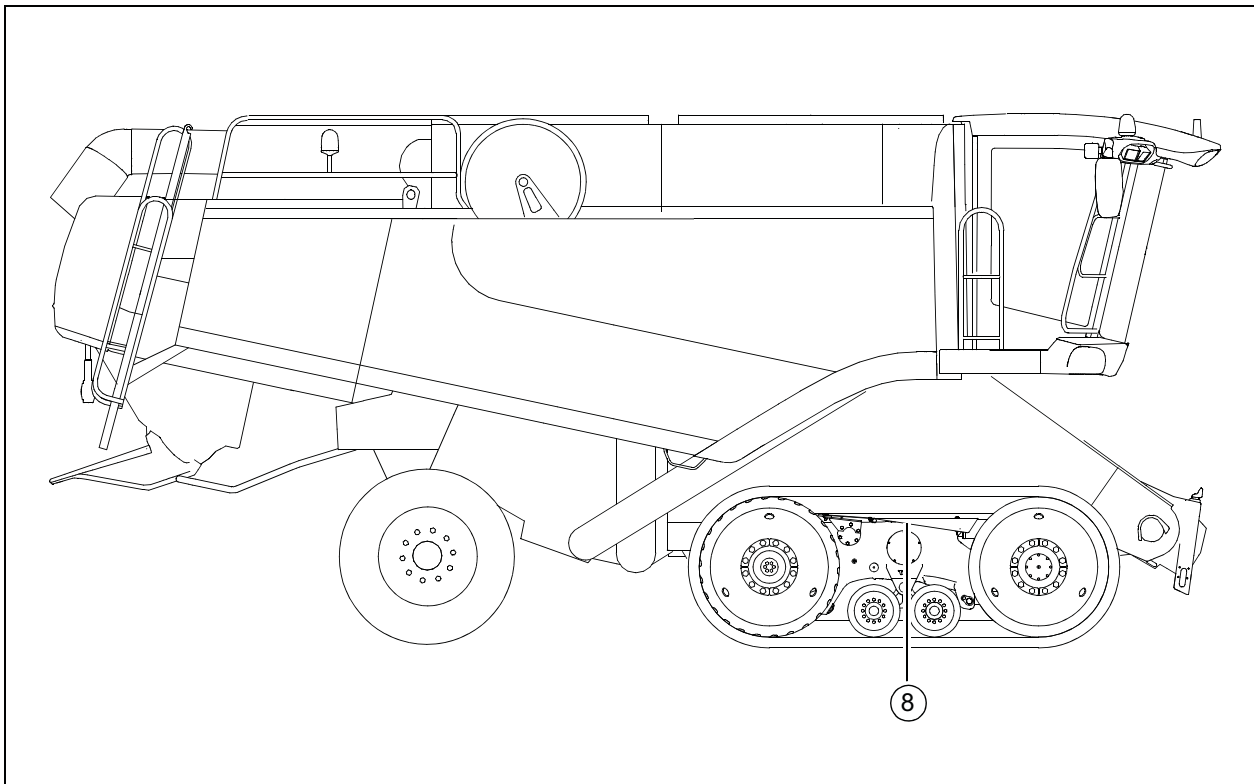
8497 7



6 Lubrication chart  
6.1 Lubrication points

32913  
19742

6.1.7 Lubrication points - 500 h on the right



7517



7797 8