

# Combines

## M300 - M310

M300 / M300 MCS - S/N => 555010206  
ZN205550x03010222  
M310 / M310 MCS - S/N => 565010372  
ZN205650x03010384





# Combines

<b>1 General Information</b>	<b>15</b>
<b>1.1 Information</b>	<b>17</b>
1.1.1 Introduction	17
1.1.2 Company policy	17
1.1.3 Optional equipment	17
1.1.4 Spare parts and accessories	18
1.1.5 Warranty	18
1.1.6 Lubricants	18
<b>1.2 Use</b>	<b>20</b>
1.2.1 Use of the combine	20
<b>1.3 Identification</b>	<b>21</b>
1.3.1 Combine identification	21
1.3.2 Engine Identification	22
1.3.3 Cutting table identification	23
1.3.4 Operator seat identification	23
1.3.5 Hydrostatic pump identification	24
1.3.6 Hydrostatic motor identification	24
1.3.7 Straw chopper identification (if fitted)	25
1.3.8 Chaff spreader identification (if fitted)	25
1.3.9 Trailer hitch identification (if fitted)	26
<b>1.4 Identification form</b>	<b>27</b>
1.4.1 Machine data	27
<b>1.5 Conformity</b>	<b>28</b>
1.5.1 EC Declaration of Conformity	28
<b>1.6 Information</b>	<b>29</b>
1.6.1 Ecology	29
1.6.2 Hydraulic systems: hoses	29
1.6.3 Scrapping and disposal	30
<b>1.7 Weight</b>	<b>31</b>
1.7.1 Weight distribution	31
<b>2 Safety</b>	<b>33</b>
<b>2.1 Warning symbols and safety instructions</b>	<b>35</b>
2.1.1 Warnings	35
<b>2.2 Information for road transport</b>	<b>36</b>
2.2.1 Road transport	36
<b>2.3 Information for operations</b>	<b>39</b>
2.3.1 Field Operations	39
<b>2.4 Information for maintenance</b>	<b>43</b>
2.4.1 Maintenance work	43
<b>2.5 Information on the engine</b>	<b>47</b>
2.5.1 Engine	47
<b>2.6 Safety and function decals</b>	<b>51</b>
2.6.1 Location of decals	51
2.6.2 Description of decals	54
<b>2.7 Work on the battery</b>	<b>66</b>
2.7.1 Battery	66
<b>2.8 Safety devices</b>	<b>67</b>
2.8.1 Emergency exit	67

2.8.2	Operator presence device . . . . .	68
2.8.2.1	Returning the machine to normal operation . . . . .	68
2.8.2.2	Operator presence device anomaly . . . . .	69
2.8.3	Safety belts . . . . .	70
2.8.4	Cutting table safety stops . . . . .	71
2.8.5	Safety guard for main crop elevator . . . . .	72
2.8.6	Sprags for wheels . . . . .	72
2.8.7	Audible alarm for reversing . . . . .	73
2.8.8	Reflectors for road transport . . . . .	74
2.8.9	Safety Guards . . . . .	75
2.8.10	Fall protection rails . . . . .	75
2.8.11	Safety devices for operations to be carried out in the upper part of the machine . . . . .	77
2.8.12	Straw Chopper (if fitted) . . . . .	78
2.8.13	Fire extinguisher . . . . .	78
<b>2.9</b>	<b>Trailer hitch . . . . .</b>	<b>79</b>
2.9.1	Automatic towing hooks . . . . .	79
2.9.2	CUNA and CE trailer hitches . . . . .	80
2.9.2.1	Procedure for attaching and removing . . . . .	81
2.9.2.2	Drawbar coupling . . . . .	82
2.9.3	ROCKINGER trailer hitch . . . . .	82
2.9.3.1	Removal . . . . .	82
2.9.3.2	Drawbar coupling . . . . .	83
2.9.4	Fixed trailer hitch (non-automatic - CUNA type) . . . . .	84
<b>2.10</b>	<b>Machine lifting . . . . .</b>	<b>85</b>
2.10.1	Attachment points . . . . .	85
<b>2.11</b>	<b>Towing . . . . .</b>	<b>86</b>
2.11.1	Towing the combine . . . . .	86
<b>2.12</b>	<b>Further information . . . . .</b>	<b>87</b>
2.12.1	Noise level in the cab . . . . .	87
2.12.2	Vibrations in the cab . . . . .	87
2.12.3	Statutory regulations . . . . .	87
2.12.4	Electromagnetic emissions . . . . .	88
<b>2.13</b>	<b>Notes . . . . .</b>	<b>89</b>
2.13.1	Notes for road transport . . . . .	89
<b>3</b>	<b>Operation . . . . .</b>	<b>91</b>
<b>3.1</b>	<b>Combine operation . . . . .</b>	<b>93</b>
3.1.1	Crop processing . . . . .	93
<b>3.2</b>	<b>Stage 1 . . . . .</b>	<b>94</b>
3.2.1	Feeding . . . . .	94
<b>3.3</b>	<b>Stage 2 . . . . .</b>	<b>95</b>
3.3.1	Threshing . . . . .	95
<b>3.4</b>	<b>Stage 3 . . . . .</b>	<b>96</b>
3.4.1	Separation . . . . .	96
<b>3.5</b>	<b>Stage 4 . . . . .</b>	<b>97</b>
3.5.1	Cleaning . . . . .	97
<b>3.6</b>	<b>Stage 5 . . . . .</b>	<b>98</b>
3.6.1	Grain storage and unloading . . . . .	98
<b>3.7</b>	<b>Transmission . . . . .</b>	<b>99</b>
3.7.1	Rear-wheel drive (4WD) . . . . .	99
<b>4</b>	<b>Controls and Instruments . . . . .</b>	<b>101</b>
<b>4.1</b>	<b>Steering column . . . . .</b>	<b>103</b>
4.1.1	Adjustments . . . . .	103
4.1.2	Ignition switch. . . . .	104

4.1.3	Direction indicators	105
<b>4.2</b>	<b>Brakes</b>	<b>106</b>
4.2.1	Brake pedals	106
4.2.2	Service brakes	106
4.2.3	Park brake	107
<b>4.3</b>	<b>Multifunction lever</b>	<b>108</b>
4.3.1	Main components	108
4.3.2	Push buttons on the multifunction lever	109
<b>4.4</b>	<b>Gear shift lever and reversing lever</b>	<b>111</b>
4.4.1	General Information	111
<b>4.5</b>	<b>Instrument panel</b>	<b>112</b>
4.5.1	Components	112
4.5.2	Armrest	113
4.5.3	Throttle control	113
4.5.4	Switch for threshing mechanism and straw chopper	114
4.5.5	Switch for feed mechanism engagement	114
4.5.6	Switch for four-wheel drive (optional)	115
4.5.7	Miscellaneous push buttons	115
4.5.8	Push button for road transport mode	116
<b>4.6</b>	<b>Computer</b>	<b>117</b>
4.6.1	Description	117
4.6.1.1	Screen	118
4.6.1.2	Push buttons and knob	121
4.6.2	Main function controls	122
4.6.2.1	Activated device checks	125
4.6.2.2	Meaning of the symbols:	125
4.6.3	Combine main menu	126
4.6.3.1	Cells (4 and 5) of the Combine main menu	127
4.6.4	Machine settings and performance control	128
4.6.5	Setting straw chopper deflectors	129
4.6.6	Monitoring performance and returns	130
4.6.7	Header settings	131
4.6.7.1	Header configuration	132
4.6.7.2	Advanced header settings	133
4.6.7.3	Header settings	134
4.6.8	Reel	136
4.6.9	Automatic controls	137
4.6.10	Preset height	138
4.6.11	Automatic height	139
4.6.12	Field pressure	141
4.6.13	Lateral floatation	142
4.6.14	Automatic control combinations	142
4.6.14.1	Pre-set height and Automatic height	143
4.6.14.2	Pre-set height and Field pressure	145
4.6.14.3	Pre-set height and Lateral floatation	145
4.6.14.4	Pre-set height, Automatic height and Field pressure	146
4.6.14.5	Pre-set height, Automatic height and Lateral floatation	148
4.6.14.6	Pre-set height, Field pressure and Lateral floatation	148
4.6.14.7	Pre-set height, Automatic height, Field pressure and Lateral floatation (recommended setting)	149
4.6.14.8	Automatic height and Field pressure	150
4.6.14.9	Automatic height and Lateral floatation	152
4.6.14.10	Automatic height, Field pressure and Lateral floatation	152
4.6.14.11	Field pressure and Lateral floatation	153
4.6.15	Settings for harvesting specific crops	154
4.6.16	Shafts and engine	155
4.6.17	Maintenance & calibration	156

4.6.17.1	Calibrations . . . . .	157
4.6.17.2	Information on the management system . . . . .	158
4.6.17.3	System setup . . . . .	159
4.6.18	Error codes . . . . .	162
4.6.19	Diagnostics . . . . .	164
4.6.20	Meters . . . . .	167
4.6.21	Display adjustment . . . . .	168
4.6.21.1	Night-time screen brightness . . . . .	169
4.6.21.2	Screen calibration . . . . .	170
4.6.21.3	Cleaning the screen . . . . .	171
<b>4.7</b>	<b>Cab . . . . .</b>	<b>172</b>
4.7.1	Main components . . . . .	172
4.7.2	Air conditioning . . . . .	173
4.7.2.1	Compressor . . . . .	173
4.7.2.2	Condenser . . . . .	174
4.7.2.3	Expansion valve – evaporator . . . . .	174
4.7.3	Pressurization and heating . . . . .	175
4.7.4	Cab controls . . . . .	177
4.7.4.1	Rear-view mirrors . . . . .	181
4.7.5	Cab seats . . . . .	182
4.7.6	Other cab components . . . . .	184
4.7.6.1	Refrigerator . . . . .	184
4.7.6.2	Document Pocket . . . . .	184
4.7.6.3	Sun visor . . . . .	185
4.7.6.4	Rear Cab Window . . . . .	186
4.7.6.5	Reading light . . . . .	186
4.7.6.6	Footrest . . . . .	187
4.7.6.7	Preparation for radio installation . . . . .	187
<b>4.8</b>	<b>Access to combine components . . . . .</b>	<b>188</b>
4.8.1	Access to the operator platform . . . . .	188
4.8.2	Access to and cleaning of the front windshield of the cab . . . . .	189
4.8.3	Cleaning the rear-view mirrors . . . . .	190
4.8.4	Cleaning the camera . . . . .	191
4.8.5	Access to the engine compartment . . . . .	191
4.8.6	Access to the grain tank . . . . .	192
4.8.7	Access to the inside of the grain tank . . . . .	193
<b>4.9</b>	<b>Engine . . . . .</b>	<b>194</b>
4.9.1	Starting the engine . . . . .	194
4.9.2	Useful advice . . . . .	195
4.9.3	Stopping the engine . . . . .	196
<b>4.10</b>	<b>Road transport . . . . .</b>	<b>197</b>
4.10.1	Operations to be carried out before transportation . . . . .	197
<b>4.11</b>	<b>Using the combine . . . . .</b>	<b>200</b>
4.11.1	Operations to be carried out before use . . . . .	200
<b>5</b>	<b>Field Operations . . . . .</b>	<b>201</b>
<b>5.1</b>	<b>General Information . . . . .</b>	<b>203</b>
5.1.1	Notes . . . . .	203
5.1.2	Before operating the machine in the field . . . . .	203
<b>5.2</b>	<b>Starting and Stopping the Combine . . . . .</b>	<b>205</b>
5.2.1	Procedure to follow . . . . .	205
<b>5.3</b>	<b>Cutting table . . . . .</b>	<b>207</b>
5.3.1	Attaching and removing the table . . . . .	207
5.3.2	Table lateral floatation . . . . .	211
<b>5.4</b>	<b>Main Crop Elevator . . . . .</b>	<b>212</b>
5.4.1	Adjustments . . . . .	212

5.4.1.1	Access to the main components	214
5.4.1.2	P.F.R. — Finger feed roller	215
5.4.2	Reverse drive system	216
5.4.3	Stone trap	217
5.4.3.1	Stone trap assembly removal/refitting	218
<b>5.5</b>	<b>Cylinder Housing</b>	<b>220</b>
5.5.1	Threshing drum	220
5.5.1.1	Unblocking the cylinder	221
5.5.2	Concave	222
5.5.2.1	Concave filler plates (wheat concave)	223
5.5.2.2	Parallelism between the cylinder and concave	224
5.5.3	Sectional concave	225
5.5.3.1	Concave filler plates	226
5.5.3.2	Parallelism between the cylinder and concave	227
5.5.4	Universal wheat/maize concave	228
5.5.4.1	Basic settings - universal concave	229
5.5.5	Spike-toothed Cylinder/Concave (for rice)	230
5.5.6	Rear beater	232
<b>5.6</b>	<b>Multi-Crop Separator (MCS)</b>	<b>233</b>
5.6.1	Operational description	233
5.6.2	Checking the concave position	234
5.6.3	Disengaging the Multi Crop Separator concaves	235
5.6.4	Multi Crop Separator speed	236
<b>5.7</b>	<b>Straw walkers</b>	<b>238</b>
5.7.1	Description and adjustments	238
<b>5.8</b>	<b>Main Grain Pan</b>	<b>240</b>
5.8.1	Description	240
5.8.2	Checking the main grain pan	241
5.8.3	Cleaning the main grain pan	243
<b>5.9</b>	<b>Fanning Mill</b>	<b>244</b>
5.9.1	Description and adjustments	244
5.9.1.1	Fanning mill for threshing light seed crops	246
<b>5.10</b>	<b>Top sieve</b>	<b>247</b>
5.10.1	Adjustment	247
<b>5.11</b>	<b>Bottom sieve</b>	<b>251</b>
5.11.1	Adjustment	251
<b>5.12</b>	<b>Tailings</b>	<b>253</b>
5.12.1	Description and adjustments	253
<b>5.13</b>	<b>Grain tank</b>	<b>255</b>
5.13.1	Description	255
5.13.1.1	Grain tank unloading auger	255
5.13.1.2	Sensors to check tank filling	256
5.13.1.3	Grain tank control window	257
5.13.1.4	Doors for Grain Tank Maintenance and Cleaning	258
5.13.1.5	Vertical auger tank drain door	259
5.13.1.6	Tank bottom door	259
5.13.1.7	Grain Tank Cover	260
5.13.2	Basic Settings	262
<b>6</b>	<b>Lubrication and Maintenance</b>	<b>265</b>
<b>6.1</b>	<b>General Information</b>	<b>267</b>
6.1.1	Lubrication and Maintenance	267
<b>6.2</b>	<b>Preliminary Service Inspection</b>	<b>269</b>
6.2.1	After the first 50 working hours	269
<b>6.3</b>	<b>Scheduled Service Inspection</b>	<b>270</b>
6.3.1	Operation and adjustment	270

6.3.2	When and where to carry it out . . . . .	271
6.3.3	Interval - 10 hours . . . . .	276
6.3.3.1	Hydraulic and hydrostatic systems tank (1) . . . . .	276
6.3.3.2	Engine oil (2) . . . . .	277
6.3.3.3	Threshing drum variator (3) . . . . .	278
6.3.3.4	Coolant expansion tank (4) . . . . .	278
6.3.3.5	Prefilter/water separator (5) . . . . .	279
6.3.3.6	Straw chopper rotor (6) . . . . .	279
6.3.4	Interval - 50 hours . . . . .	280
6.3.4.1	Rear axle support (11) . . . . .	280
6.3.4.2	Table drive-belt tensioner (12) . . . . .	280
6.3.4.3	Service brakes (13) . . . . .	281
6.3.4.4	Cab air filters (14) . . . . .	281
6.3.4.5	Fanning mill variator (15) . . . . .	283
6.3.4.6	Coupling bushes of final drive shafts (16) . . . . .	283
6.3.4.7	Rear-axle king pins (17) . . . . .	284
6.3.4.8	Evaporator (18) . . . . .	284
6.3.4.9	Condenser (19) . . . . .	285
6.3.4.10	Engine radiator and hydraulic oil radiator (20) . . . . .	286
6.3.4.11	Adjusting the rotary screen brushes and aspirator brushes . . . . .	287
6.3.4.12	Grain-tank filling auger gearbox (21) . . . . .	288
6.3.4.13	Track frames (22) . . . . .	289
6.3.4.14	Rear straw walker shaft supports (23) . . . . .	290
6.3.5	Interval - 100 hours . . . . .	291
6.3.5.1	Unloading auger bottom gearbox (31) . . . . .	291
6.3.5.2	Crop-unloading auger drive belt tensioner (32) . . . . .	292
6.3.5.3	Main crop-elevator belt tensioner (33) . . . . .	292
6.3.5.4	Chaff spreader drive (if installed) (34) . . . . .	293
6.3.5.5	Crop unloading-auger control cylinder (35) . . . . .	293
6.3.5.6	Main crop elevator adapter (36) . . . . .	294
6.3.5.7	MCS belt tensioner (if installed) (37) . . . . .	294
6.3.5.8	Threshing-mechanism belt tensioner (38) . . . . .	295
6.3.5.9	Hydrostatic-pump belt tensioner (39) . . . . .	295
6.3.5.10	Cab access ladder (40) . . . . .	296
6.3.5.11	Tires (41) . . . . .	296
6.3.5.12	Main crop elevator supports (42) . . . . .	297
6.3.5.13	Rear wheel 4WD tie rod (if fitted) (43) . . . . .	298
6.3.5.14	Engine (44) . . . . .	298
6.3.5.15	Engine air filter (45) . . . . .	299
6.3.5.16	Park brake (46) . . . . .	300
6.3.6	Interval - 250 hours . . . . .	301
6.3.6.1	Gearbox (61) . . . . .	301
6.3.6.2	Reduction gearbox (62) . . . . .	301
6.3.6.3	Main clutch (63) . . . . .	302
6.3.6.4	Unloading auger support (64) . . . . .	302
6.3.6.5	Straw chopper driven-belt tensioner (65) . . . . .	303
6.3.6.6	Straw chopper drive-belt tensioner (66) . . . . .	303
6.3.6.7	Straw chopper idler shaft (67) . . . . .	304
6.3.6.8	Tank unloading-auger clutch (68) . . . . .	304
6.3.6.9	Aspirator drive-belt tensioner (69) . . . . .	305
6.3.6.10	Rotary-screen belt tensioner (70) . . . . .	305
6.3.6.11	Windshield wash fluid reservoir (71) . . . . .	306
6.3.6.12	Engine oil and filters (72) . . . . .	306
6.3.6.13	Tailing-auger left support (73) . . . . .	309
6.3.6.14	Unloading-auger top angle gear (74) . . . . .	309
6.3.7	Interval - 500 hours . . . . .	310
6.3.7.1	Hydraulic systems oil (81) . . . . .	310
6.3.7.2	Hydraulic and hydrostatic systems return filter (82) . . . . .	311



6.3.7.3 Hydraulic-oil intake filter (83) . . . . .	312
6.3.7.4 Hydrostatic transmission filter (84) . . . . .	312
6.3.7.5 Engine diesel-fuel filters (85) . . . . .	313
6.3.7.6 Dehydrator filter (86) . . . . .	314
6.3.7.7 Catalytic fluid filter (87) . . . . .	315
6.3.7.8 Reduction gears (88) . . . . .	316
6.3.7.9 Gearbox (89) . . . . .	316
6.3.7.10 Air compressor (if installed) (90) . . . . .	317
6.3.7.11 Battery (91) . . . . .	317
<b>6.4 Periodical maintenance operations . . . . .</b>	<b>318</b>
6.4.1 Description . . . . .	318
6.4.1.1 Engine valves (1) . . . . .	319
6.4.1.2 Coolant (2) . . . . .	320
6.4.1.3 Service brake circuit fluid (3) . . . . .	321
6.4.1.4 Diesel fuel tank (4) . . . . .	321
6.4.1.5 Turbocharger (5) . . . . .	322
6.4.1.6 Hydraulic hoses (6) . . . . .	322
6.4.1.7 Catalytic fluid tank (DEF) (7) . . . . .	323
<b>6.5 Lubrication . . . . .</b>	<b>324</b>
6.5.1 Summary table . . . . .	324
<b>7 Adjustments . . . . .</b>	<b>325</b>
<b>7.1 Adjustments . . . . .</b>	<b>327</b>
7.1.1 Important information . . . . .	327
<b>7.2 Belt and chain adjustment . . . . .</b>	<b>328</b>
7.2.1 Belts and chains (left-hand side) . . . . .	328
7.2.1.1 Feeder drive belt (1) . . . . .	329
7.2.1.2 Threshing unit drive belt (2) . . . . .	330
7.2.1.3 Multi-Crop Separator drive belt (3) . . . . .	331
7.2.1.4 Unloading-auger drive belt (4) . . . . .	332
7.2.1.5 Belt drive for hydrostatic pump (5) . . . . .	333
7.2.1.6 Belt drive for chaff spreader (if fitted) (6) . . . . .	334
7.2.1.7 Belt drive for reversing (7) . . . . .	335
7.2.1.8 Main transmission belt (8) . . . . .	336
7.2.1.9 Belt drives for good grain and tailings augers (9) . . . . .	337
7.2.1.10 Belt drive for straw walkers (10) . . . . .	337
7.2.1.11 Belt drive for cutting table (11) . . . . .	338
7.2.1.12 Chain drive for unloading auger (12) . . . . .	338
7.2.1.13 Belt drive for straw chopper (if fitted) (13) . . . . .	339
7.2.1.14 Belt drive for straw chopper (if fitted) (14) . . . . .	340
7.2.1.15 Air-compressor drive belt (if installed) (15) . . . . .	341
7.2.2 Belts and chains (right-hand side) . . . . .	343
7.2.2.1 Reel-pump drive belt (20) . . . . .	344
7.2.2.2 Dust aspirator drive belt (21) . . . . .	344
7.2.2.3 Rotary-screen drive belt (22) . . . . .	345
7.2.2.4 Belt drive for engine coolant pump (23) . . . . .	345
7.2.2.5 Drive belt for engine fan and alternator (24) . . . . .	346
7.2.2.6 Belt drive for cylinder variator (25) . . . . .	346
7.2.2.7 Belt drive for fanning mill variator (26) . . . . .	347
7.2.2.8 Top chain drive for tailings auger (27) . . . . .	348
7.2.2.9 Crop elevator chain (28) . . . . .	348
7.2.2.10 Chain drive for tailings elevator (29) . . . . .	349
7.2.2.11 Front crop elevator chain (30) . . . . .	349
7.2.2.12 Finger-feed-roller drive chain (31) . . . . .	350
7.2.2.13 Tank filling-auger drive chain (32) . . . . .	350
7.2.2.14 Belt drive for cab air conditioning compressor (33) . . . . .	351
<b>7.3 Reverse drive system . . . . .</b>	<b>352</b>

7.3.1	Adjustment of control tie rod . . . . .	352
7.3.2	Adjustment of the distance between disks . . . . .	353
<b>7.4</b>	<b>Slip clutches</b> . . . . .	<b>354</b>
7.4.1	Description . . . . .	354
7.4.1.1	Clutch for main crop elevator upper shaft (1) . . . . .	354
7.4.1.2	Clutch on finger feed roller (2) . . . . .	354
7.4.1.3	Clutch for shaker shoe counter drive (3) . . . . .	355
7.4.1.4	Shear bolt for unloading-auger counter drive (4) . . . . .	355
<b>7.5</b>	<b>Grain tank unloading auger</b> . . . . .	<b>356</b>
7.5.1	Adjustment of the support . . . . .	356
<b>7.6</b>	<b>Tires</b> . . . . .	<b>357</b>
7.6.1	Tire pressure . . . . .	357
7.6.2	Replacement of Front Wheels . . . . .	358
7.6.3	Replacement of Rear Wheels . . . . .	359
7.6.4	Front and rear wheels assembly . . . . .	360
<b>7.7</b>	<b>Brakes</b> . . . . .	<b>361</b>
7.7.1	Service brakes . . . . .	361
7.7.2	Park brake . . . . .	362
<b>7.8</b>	<b>Rear axle</b> . . . . .	<b>363</b>
7.8.1	Toe-in setting . . . . .	363
7.8.2	Steering ram ball joints . . . . .	363
7.8.3	Width setting . . . . .	364
7.8.4	Telescopic arm position . . . . .	365
7.8.5	Rear axle support . . . . .	367
<b>7.9</b>	<b>Battery</b> . . . . .	<b>368</b>
7.9.1	Battery Replacement . . . . .	368
7.9.2	Suggestions regarding the battery . . . . .	369
<b>8</b>	<b>Systems</b> . . . . .	<b>371</b>
<b>8.1</b>	<b>Safety Precautions</b> . . . . .	<b>373</b>
8.1.1	Notes . . . . .	373
<b>8.2</b>	<b>Engine supply system</b> . . . . .	<b>374</b>
8.2.1	Permitted fuels . . . . .	374
8.2.2	Fuel Circuit . . . . .	375
8.2.3	Bleeding the Fuel Supply Circuit . . . . .	376
8.2.4	Catalytic fluid tank (DEF) . . . . .	377
8.2.5	Injection system operation . . . . .	378
<b>8.3</b>	<b>Engine air intake and exhaust system</b> . . . . .	<b>380</b>
8.3.1	Operation . . . . .	380
<b>8.4</b>	<b>Engine cooling system</b> . . . . .	<b>382</b>
8.4.1	Coolant . . . . .	382
8.4.2	Engine cooling system operation . . . . .	383
<b>8.5</b>	<b>Engine lubrication system</b> . . . . .	<b>384</b>
8.5.1	Operation . . . . .	384
8.5.2	Oil vapor recovery system . . . . .	385
<b>8.6</b>	<b>SCR system</b> . . . . .	<b>386</b>
8.6.1	Operation . . . . .	386
<b>8.7</b>	<b>Hydraulics system</b> . . . . .	<b>389</b>
8.7.1	Pumps and fuel tank . . . . .	389
8.7.2	Table positioning hydraulic circuits . . . . .	391
8.7.2.1	Cutting table oleopneumatic shock absorbers . . . . .	392
8.7.2.2	Flow rate proportional valve . . . . .	392
8.7.2.3	Hose burst valves . . . . .	393
8.7.2.4	Table horizontal positioning circuit . . . . .	393
8.7.3	Reel rotation control hydraulic circuit . . . . .	394

8.7.4 Hydraulic steering system . . . . .	395
8.7.5 Auxiliary hydraulics circuit . . . . .	396
<b>8.8 Hydrostatic transmission system . . . . .</b>	<b>397</b>
8.8.1 Front-wheel drive . . . . .	397
8.8.2 Rear-wheel drive . . . . .	398
<b>8.9 Electrical system . . . . .</b>	<b>399</b>
8.9.1 Main components . . . . .	399
8.9.2 Computerized system . . . . .	400
8.9.3 Fuses . . . . .	401
8.9.4 Additional fuses . . . . .	405
8.9.5 Relays . . . . .	407
8.9.5.1 Additional relays . . . . .	412
8.9.6 Control units . . . . .	413
8.9.6.1 EXT control unit . . . . .	414
8.9.6.2 ENEDC control unit . . . . .	414
8.9.6.3 FTD1 control unit . . . . .	415
8.9.6.4 FTD2 control unit . . . . .	415
8.9.6.5 Engine control unit . . . . .	416
8.9.6.6 Engine sensors and control unit . . . . .	417
8.9.7 Electric motors . . . . .	418
8.9.7.1 Engine ignition control motor . . . . .	418
8.9.7.2 Concave position control motors . . . . .	418
8.9.7.3 MCS concave position control motor (if installed) . . . . .	419
8.9.7.4 Grain tank cover position control motor . . . . .	420
8.9.7.5 Straw deflector control motor (if fitted) . . . . .	420
8.9.7.6 Fanning mill variator control motor . . . . .	421
8.9.7.7 Top sieve control motor . . . . .	421
8.9.7.8 Lower sieve motor . . . . .	422
8.9.8 Sensors . . . . .	422
8.9.8.1 Forward speed sensor . . . . .	422
8.9.8.2 Cylinder speed sensor . . . . .	423
8.9.8.3 Fanning mill speed sensor . . . . .	423
8.9.8.4 Reel speed sensor . . . . .	424
8.9.8.5 Straw chopper speed sensor . . . . .	424
8.9.8.6 Performance control sensors . . . . .	425
8.9.8.7 Exhaust gas sensors . . . . .	426
8.9.8.8 Returns control sensors . . . . .	427
8.9.9 Electric connectors . . . . .	427
8.9.10 Connections for diagnostics . . . . .	430
8.9.11 Flashing lights . . . . .	430
<b>9 Troubleshooting . . . . .</b>	<b>431</b>
<b>9.1 Description . . . . .</b>	<b>433</b>
9.1.1 Feeding . . . . .	433
9.1.2 Threshing . . . . .	433
9.1.3 Separation and cleaning . . . . .	435
9.1.4 Hydrostatic Transmission . . . . .	438
9.1.5 Engine . . . . .	439
9.1.5.1 EEM4 engine troubleshooting (self-diagnosis) . . . . .	441
9.1.5.2 Fault codes . . . . .	441
9.1.6 Hydraulics system . . . . .	453
9.1.7 Electrical system . . . . .	454
9.1.8 Air conditioning circuit . . . . .	454
9.1.9 Straw chopper . . . . .	455
<b>10 Off-Season Storage . . . . .</b>	<b>457</b>
<b>10.1 Procedure to follow . . . . .</b>	<b>459</b>

10.1.1	Operations to be carried out after the harvest	459
10.1.2	Ordering spare parts	460
10.1.3	Operations to be carried out before the new season	460
<b>11</b>	<b>Optional equipment</b>	<b>463</b>
<b>11.1</b>	<b>Information</b>	<b>465</b>
11.1.1	General considerations	465
<b>11.2</b>	<b>Optional equipment</b>	<b>466</b>
11.2.1	Four-wheel drive	466
11.2.2	Camera	466
11.2.3	Windbreak	467
11.2.4	Additional lights	467
11.2.5	Additional lights for flip-up maize headers	469
11.2.6	Additional mirrors	469
11.2.7	Additional fire extinguisher	470
11.2.8	Diesel fuel prefilter	470
11.2.9	Air compressor for maintenance	471
11.2.10	Weight and moisture control monitor	472
11.2.11	Multimedia navigation system	472
11.2.12	Trailer hitch	473
11.2.13	Refrigerator	473
11.2.14	Vertical Knives	474
11.2.15	Electrically-operated sieves and returns sensors	474
11.2.16	Cylinder cover	475
11.2.17	Tailings cover plate	476
11.2.18	Top sieve	476
11.2.19	Bottom sieve	477
<b>11.3</b>	<b>Equipment for threshing</b>	<b>478</b>
11.3.1	Equipment for maize	478
11.3.2	Equipment for corn-cob	480
11.3.3	Equipment for rice	480
11.3.4	Equipment for light seed crops	481
11.3.5	Equipment for soya and peas	481
<b>11.4</b>	<b>Ballast weights</b>	<b>482</b>
11.4.1	Description	482
11.4.2	Ballast weights on rear axle	483
11.4.3	Ballast weights on the straw walker hood for machines without straw chopper	484
11.4.4	Ballast weights on the rear wheels with a liquid mix (for tubeless tires)	485
11.4.5	Filling tires with anti-freeze solutions	486
<b>11.5</b>	<b>Straw chopper</b>	<b>487</b>
11.5.1	Electrically operated straw chopper straw deflectors	487
11.5.2	Transport position	487
11.5.3	Working position	488
11.5.4	Operating the straw chopper	490
11.5.5	Disengaging the straw chopper	491
11.5.6	Access to the straw chopper rotor	491
11.5.7	Straw chopper rotor knives	492
11.5.8	Counter-knives	493
11.5.9	Chopping quality	493
11.5.10	Use of straw chopper in maize	494
<b>11.6</b>	<b>Chaff Spreader</b>	<b>496</b>
11.6.1	Working and maintenance positions	496
11.6.2	Chaff spreader speed	498
11.6.3	Disengaging the chaff spreader	498
11.6.4	Chaff spreader belt tensioning	498
<b>11.7</b>	<b>Tracks</b>	<b>499</b>
11.7.1	Use and maintenance	499

11.7.2 Track chain tension . . . . .	500
<b>12 Technical Specifications . . . . .</b>	<b>501</b>
<b>12.1 Wheels and tires . . . . .</b>	<b>503</b>
12.1.1 information . . . . .	503
12.1.2 Wheel tightening torque . . . . .	503
12.1.3 Tire capacity . . . . .	503
12.1.4 Tire equipment . . . . .	504
12.1.5 Description . . . . .	507
<b>12.2 Dimensions . . . . .</b>	<b>508</b>
12.2.1 Combine dimensions . . . . .	508
12.2.2 Clearance between unloading auger and table . . . . .	512
<b>12.3 Technical specifications . . . . .</b>	<b>514</b>
12.3.1 Feeding unit . . . . .	514
12.3.2 Threshing sys. . . . .	515
12.3.3 Cleaning unit . . . . .	520
12.3.4 Grain tank . . . . .	521
12.3.5 Hydraulic system . . . . .	522
12.3.6 Hydrostatic system . . . . .	522
12.3.7 Engine . . . . .	523
12.3.8 Electrical components . . . . .	523
12.3.9 Transmission . . . . .	524
12.3.10 Rear axle . . . . .	525
12.3.11 Weight . . . . .	525
<b>13 Index . . . . .</b>	<b>527</b>



# 1. General Information

<b>1.1 Information</b>	<b>17</b>
1.1.1 Introduction	17
1.1.2 Company policy	17
1.1.3 Optional equipment	17
1.1.4 Spare parts and accessories	18
1.1.5 Warranty	18
1.1.6 Lubricants	18
<b>1.2 Use</b>	<b>20</b>
1.2.1 Use of the combine	20
<b>1.3 Identification</b>	<b>21</b>
1.3.1 Combine identification	21
1.3.2 Engine Identification	22
1.3.3 Cutting table identification	23
1.3.4 Operator seat identification	23
1.3.5 Hydrostatic pump identification	24
1.3.6 Hydrostatic motor identification	24
1.3.7 Straw chopper identification (if fitted)	25
1.3.8 Chaff spreader identification (if fitted)	25
1.3.9 Trailer hitch identification (if fitted)	26
<b>1.4 Identification form</b>	<b>27</b>
1.4.1 Machine data	27
<b>1.5 Conformity</b>	<b>28</b>
1.5.1 EC Declaration of Conformity	28
<b>1.6 Information</b>	<b>29</b>
1.6.1 Ecology	29
1.6.2 Hydraulic systems: hoses	29
1.6.3 Scrapping and disposal	30
<b>1.7 Weight</b>	<b>31</b>
1.7.1 Weight distribution	31





## 1.1 Information

---

### 1.1.1 Introduction

---

Your new self-propelled combine is manufactured for harvesting seed and cereal crops, for threshing, separating, cleaning and conveying the grain into the tank and depositing the straw on the ground.

This Operator's Manual should be used as a practical reference guide: It contains all the necessary practical information for the operation, adjustment and maintenance of your new machine.

Your combine was designed and built to ensure optimum performance, comfort and ease-of-operation in a wide variety of crops and conditions.

The combine has been thoroughly inspected prior to delivery both at the factory and by your Dealer, to ensure you receive it in perfect condition.

To keep the combine in perfect condition and to ensure trouble-free performance, the periodical maintenance operations listed in this manual should be carried out at the recommended intervals.

**Before operating and/or driving the combine, read this Operator's Manual carefully, paying particular attention to the section on safety rules.**

**Always keep this manual on hand for further reference.**

The terms "left" and "right" are always used with reference to the machine traveling direction.

Should you require further information about the machine, please do not hesitate to contact your authorized Dealer. Your Dealer provides specially trained personnel, genuine spare parts and the required tools to solve any problems that may arise.

#### NOTE:

- *This combine has been designed and built in compliance with the Machine Directive 2006/42/EC. A CE Declaration of Conformity is supplied with the machine (see specific chapter).*
- *This manual is published for worldwide distribution, and the availability of equipment shown as standard or optional varies according to the territory in which the combine is to be used. Specifications may differ from those contained in this Operator's Manual according to the customer's requirements*
- *In order to provide a better view of features or adjustments, certain illustrations in this manual may show an assembly with standard guards, or the guards required by law in different countries, open or removed.*



#### **DANGER:**

**However, a machine should never be operated in this condition. For your own safety, always ensure all safety guards are fitted and closed correctly before operating the machine.**

- *This Operator's Manual, along with the Operator's Manuals provided for the table, the power take-off shaft and the table trailer, must always be kept in the compartment under the operator's seat for storage and convenient reference.*

---

### 1.1.2 Company policy

---

In accordance with the Company's policy of continuous improvements to its products, the Company reserves the right to modify and improve its products whenever necessary and to the required extent, without any obligation to apply such modifications to previously sold products.

The information contained in this Manual refers to the current situation at the time it was written. All the data given may vary.

---

### 1.1.3 Optional equipment

---

Your machine was designed to operate in a wide variety of crops and conditions.

However, in certain cases it may be necessary to fit additional accessories to improve machine performance or adapt the machine to harvesting special crops.

A list of available accessories is provided in the chapter **Optional equipment**.

---

### 1.1.4 Spare parts and accessories

---

The genuine spare parts and accessories have been specifically designed for this type of machine.

Only genuine parts supplied by your authorized Dealer can guarantee correct operation and optimum performance.

Never use non-genuine spare parts or accessories: Some accessories (e.g. PTO shafts, straw choppers, tables) require an EC certification, which can be provided only by the manufacturer or his qualified and recognized sub-suppliers.

Non-genuine spare parts have not been tested and are not authorized by the manufacturer.

The use of such equipment may have a damaging effect on the design features of the machine and may even jeopardize operational safety.

**The manufacturer disclaims all liability in the event of loss or damage arising as a result of non-genuine parts or accessories being fitted.**

It is expressly prohibited to make any modification to the combine without the prior written authorisation by the manufacturer.

When ordering spare parts and/or optional equipment, always quote your combine model and serial number (see chapter **Combine identification**).

---

### 1.1.5 Warranty

---

Your combine is warranted in compliance with the regulations in force in your country and the agreements made with your Dealer.

However, the warranty becomes void in the following situations:

1. If the machine has been used inappropriately.
2. If adjustments and maintenance have not been carried out according to the instructions in this manual.
3. If the failures are caused by the use of non-genuine spare parts or accessories.
4. If damage is the result of carelessness, negligence, inappropriate use of the machine or operational errors. If the safety devices are removed and/or non-genuine spare parts are used, the warranty becomes void automatically and the manufacturer disclaims any liability.

The warranty applies only to repair or free replacement of parts proving defective after a careful inspection by the manufacturer (excluding wear parts and tires), as described in the Combine Service Record Book. In the event that warranted parts are replaced or repaired, warranty terms are not extended. The customer can assert his warranty rights only insofar as the warranty conditions contained in the Service Record Book have been observed.

---

### 1.1.6 Lubricants

---

Your Dealer can provide a wide range of special lubricants, produced according to the specific technical specifications of the combine.

For these combines we recommend the use of the lubricants listed in the chapter **Capacities and specifications** of the section **Lubrication and maintenance**.

Always use genuine AGCO parts, the only parts which bear this trademark:



Fig. 1

## 1.2 Use

### 1.2.1 Use of the combine

These combines are designed as self-propelled units with a diesel engine.

The machines are manufactured exclusively for usual agricultural purposes, i.e. for harvesting cereal, seed, rice, maize, soya, etc. by cutting or picking-up the crop, threshing and separating the grains from the ears, delivering the grains in the grain tank and unloading them into the grain wagon.

Machine performance may be limited by various factors such as harvesting speed, weather conditions, ground characteristics and the type and degree of ripeness of the crop.

When operating the machine, make sure the cab doors are shut. The operator and instructor (or trainee), if present, must remain seated in their respective seats with their seatbelts fastened (the operator should not drive the machine when standing).

The machines must be operated only by skilled operators who know all the machine's functions and harvesting techniques.

If the ground is uniform and the tires offer sufficient grip, the machine stability is ensured on the following inclinations:

- 20% (11°) longitudinally (uphill and downhill).
- 20% (11°) crosswise.

These combine models are designed for working on level ground to ensure even distribution of the crop inside the machine. **These models HAVE NOT been developed for working on sloping ground.**

#### Forbidden uses

Do not use the machine for tasks or purposes other than those specified in this Manual, on the safety decals or on other safety information provided with the machine.

The following pages contain recommendations on correct and incorrect use of the machine when traveling on public roads, during field operations and during maintenance.

Many machine functions relating to safety are managed by the software.

Do not try to modify or replace the software. You risk destroying the machine's settings and the operating logic.

Such tampering could lead to unpredictable and abnormal behavior, making it unsafe (for the operator(s) and the machine).

Only your Dealer is authorized to intervene on the machine software.

The machine's maximum speed on the road is limited and controlled by the software. Do not try to change it.

#### Table types

These combine harvesters may use FreeFlow or PowerFlow cutting tables.

#### NOTE:

*In this manual, the term "table/s" signifies both the cutting table and the maize header when used generically. The term "cutting table" refers to the assembly consisting of reel, cutting bar, table auger, etc. used to harvest grain, barley, rice, soya, etc. The term "maize header" refers to the assembly consisting of stalk grippers, stripping blades, conveyor chains, etc. used for harvesting maize.*

## 1.3 Identification

### 1.3.1 Combine identification

The combine and its main components are identified by serial numbers and/or production codes.

The position of the different identification data is described below.

**NOTE:**

*Always quote the combine serial number when contacting your Dealer for spare parts or assistance.*

**Combine approval and safety plates**

The manufacturer's type plate (1), statutory for all countries (or (2), for France only), is positioned on the outer right-hand side of the operator platform and shows the following information:

- Combine type
- Approval number
- Combine serial number
- Total maximum permitted weight
- Weight (on both axles)
- Towing weight

For further details, please refer to the type approval certificate.

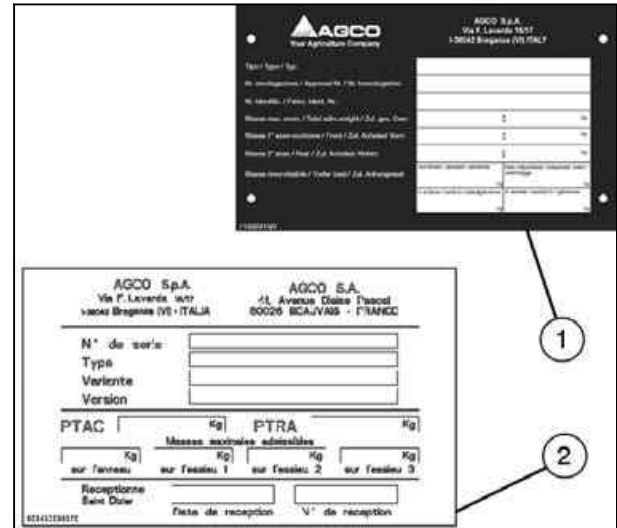


Fig. 2

The safety plate (3) is located next to the approval plate, and guarantees that the combine was built in compliance with Machinery Directive 2006/42/EC as well as Directive 2004/108/EC.

This plate shows the following information:

- Manufacturing year
- Marketing year
- Model
- Combine serial number
- Crop type
- Total weight (normal configuration)
- Nominal engine power
- Maximum towing weight
- Maximum vertical load on the trailer hitch

In certain countries (e.g. Russia) these two plates are positioned next to an additional decal/plate corresponding to the approval for that specific country.

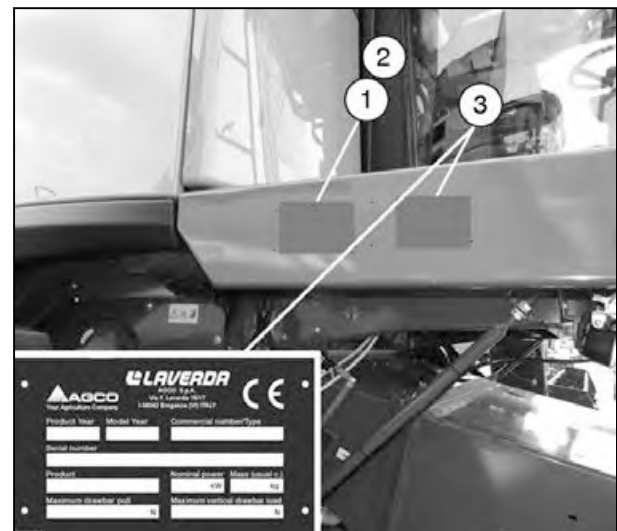


Fig. 3

### Combine identification

Combine type and serial number appear on the plate and are also punched into the rear right-hand side of the frame (1).



Fig. 4

### 1.3.2 Engine Identification

The engine is identified by the type plate (1) in the middle of the cylinder block.

The following information appears on the plate (1):

- Manufacturer
- type
- Engine power and rated speed
- Engine serial number
- Valve clearance
- Customer reference code
- Idling speed
- Compliance with Directive 97/68/EC
- Name of the engine assembler.

The engine serial number is always also stamped on the cylinder block.

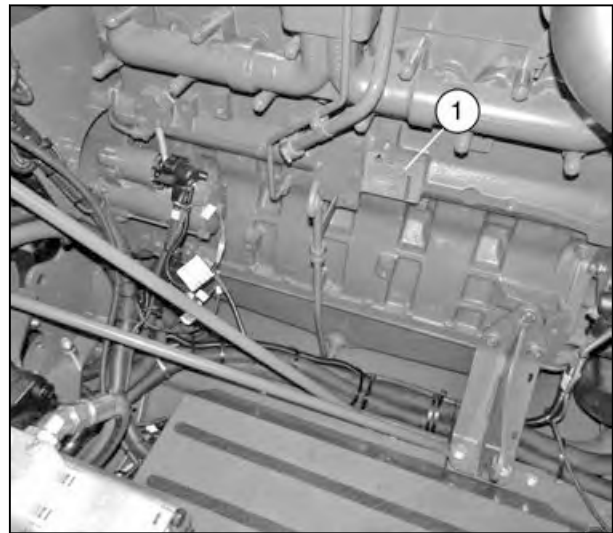


Fig. 5

### 1.3.3 Cutting table identification

The cutting table can be identified by a metal plate affixed on the left-hand side.



Fig. 6

### 1.3.4 Operator seat identification

The identification plate is located on the seat support. If you move the seat fully forward, you can access it.



Fig. 7

### 1.3.5 Hydrostatic pump identification

The type plate (1) is located on the front part of the pump.

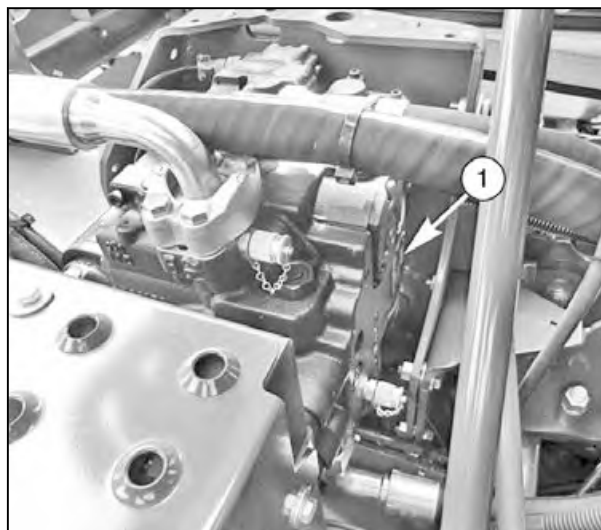


Fig. 8

### 1.3.6 Hydrostatic motor identification

The type plate is located on the lower part of the motor.

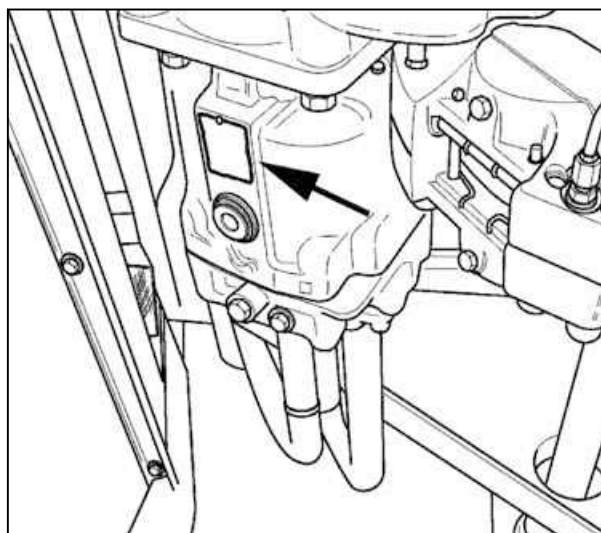


Fig. 9



### 1.3.7 Straw chopper identification (if fitted)

The straw chopper type plate is located on the right-hand side next to the rotor support.

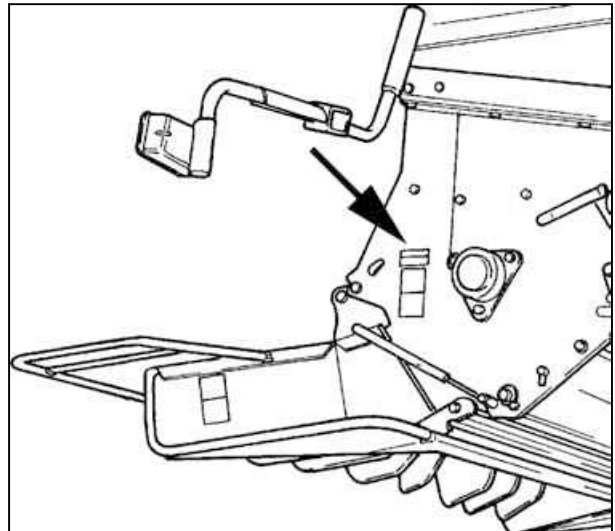


Fig. 10

### 1.3.8 Chaff spreader identification (if fitted)

The type plate is located on the right-hand side next to the chaff spreader adjustment lever.

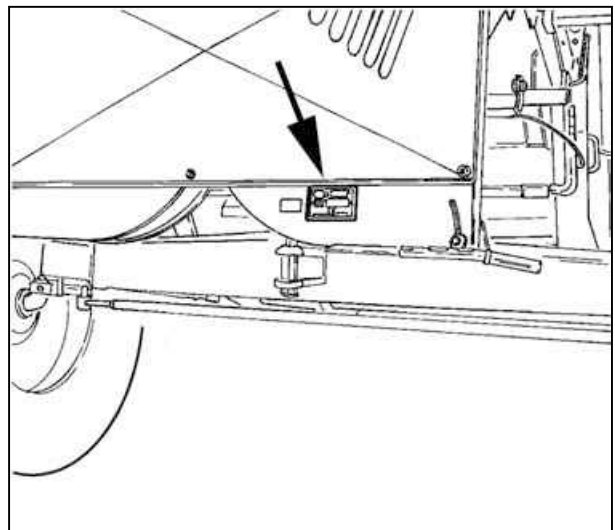


Fig. 11

### 1.3.9 Trailer hitch identification (if fitted)

The plate is positioned on the right-hand side of the trailer hitch.



Fig. 12

## 1.4 Identification form

### 1.4.1 Machine data

**Please enter the identification details of your combine on this card for convenient reference:**

Combine model

---

Combine serial number

---

Engine type and serial number

---

Cab serial number

---

Straw chopper serial number

---

Cutting table serial number

---

Date of initial start-up

---

Dealer's telephone number

---

## 1.5 Conformity

### 1.5.1 EC Declaration of Conformity

The CE Declaration of Conformity, shown below, certifies that the combine was designed and built in compliance with the regulations currently applicable within the European Community.

The cutting table has its own EC Declaration of Conformity.

  <b>AGCO S.p.A.</b> Via F. Laverda 15/17 36042 Breganze (VI) Italy	<b>IT</b> DICHIARAZIONE DI CONFORMITÀ CE AL REGOLAMENTO CE 2006/2542 2006/2542/CE	<b>FR</b> DÉCLARATION DE CONFORMITÉ CE 2006/2542/CE 2006/2542	<b>DA</b> CE-ERKLÆRING OM OVERENSSTEMMELSE EFTER FORORDNINGEN 2006/2542/EF
	1	2	3
	4	5	6
	7	8	9
	10	11	12
	13	14	15
	16	17	18
	19	20	21
	22	23	24
25	26	27	
28	29	30	
31	32	33	
34	35	36	
37	38	39	
40	41	42	
43	44	45	
46	47	48	
49	50	51	
52	53	54	
55	56	57	
58	59	60	
61	62	63	
64	65	66	
67	68	69	
70	71	72	
73	74	75	
76	77	78	
79	80	81	
82	83	84	
85	86	87	
88	89	90	
91	92	93	
94	95	96	
97	98	99	
100	101	102	
103	104	105	
106	107	108	
109	110	111	
112	113	114	
115	116	117	
118	119	120	
121	122	123	
124	125	126	
127	128	129	
130	131	132	
133	134	135	
136	137	138	
139	140	141	
142	143	144	
145	146	147	
148	149	150	
151	152	153	
154	155	156	
157	158	159	
160	161	162	
163	164	165	
166	167	168	
169	170	171	
172	173	174	
175	176	177	
178	179	180	
181	182	183	
184	185	186	
187	188	189	
190	191	192	
193	194	195	
196	197	198	
199	200	201	
202	203	204	
205	206	207	
208	209	210	
211	212	213	
214	215	216	
217	218	219	
220	221	222	
223	224	225	
226	227	228	
229	230	231	
232	233	234	
235	236	237	
238	239	240	
241	242	243	
244	245	246	
247	248	249	
250	251	252	
253	254	255	
256	257	258	
259	260	261	
262	263	264	
265	266	267	
268	269	270	
271	272	273	
274	275	276	
277	278	279	
280	281	282	
283	284	285	
286	287	288	
289	290	291	
292	293	294	
295	296	297	
298	299	300	
301	302	303	
304	305	306	
307	308	309	
310	311	312	
313	314	315	
316	317	318	
319	320	321	
322	323	324	
325	326	327	
328	329	330	
331	332	333	
334	335	336	
337	338	339	
340	341	342	
343	344	345	
346	347	348	
349	350	351	
352	353	354	
355	356	357	
358	359	360	
361	362	363	
364	365	366	
367	368	369	
370	371	372	
373	374	375	
376	377	378	
379	380	381	
382	383	384	
385	386	387	
388	389	390	
391	392	393	
394	395	396	
397	398	399	
400	401	402	
403	404	405	
406	407	408	
409	410	411	
412	413	414	
415	416	417	
418	419	420	
421	422	423	
424	425	426	
427	428	429	
430	431	432	
433	434	435	
436	437	438	
439	440	441	
442	443	444	
445	446	447	
448	449	450	
451	452	453	
454	455	456	
457	458	459	
460	461	462	
463	464	465	
466	467	468	
469	470	471	
472	473	474	
475	476	477	
478	479	480	
481	482	483	
484	485	486	
487	488	489	
490	491	492	
493	494	495	
496	497	498	
499	500	501	
502	503	504	
505	506	507	
508	509	510	
511	512	513	
514	515	516	
517	518	519	
520	521	522	
523	524	525	
526	527	528	
529	530	531	
532	533	534	
535	536	537	
538	539	540	
541	542	543	
544	545	546	
547	548	549	
550	551	552	
553	554	555	
556	557	558	
559	560	561	
562	563	564	
565	566	567	
568	569	570	
571	572	573	
574	575	576	
577	578	579	
580	581	582	
583	584	585	
586	587	588	
589	590	591	
592	593	594	
595	596	597	
598	599	600	
601	602	603	
604	605	606	
607	608	609	
610	611	612	
613	614	615	
616	617	618	
619	620	621	
622	623	624	
625	626	627	
628	629	630	
631	632	633	
634	635	636	
637	638	639	
640	641	642	
643	644	645	
646	647	648	
649	650	651	
652	653	654	
655	656	657	
658	659	660	
661	662	663	
664	665	666	
667	668	669	
670	671	672	
673	674	675	
676	677	678	
679	680	681	
682	683	684	
685	686	687	
688	689	690	
691	692	693	
694	695	696	
697	698	699	
700	701	702	
703	704	705	
706	707	708	
709	710	711	
712	713	714	
715	716	717	
718	719	720	
721	722	723	
724	725	726	
727	728	729	
730	731	732	
733	734	735	
736	737	738	
739	740	741	
742	743	744	
745	746	747	
748	749	750	
751	752	753	
754	755	756	
757	758	759	
760	761	762	
763	764	765	
766	767	768	
769	770	771	
772	773	774	
775	776	777	
778	779	780	
781	782	783	
784	785	786	
787	788	789	
790	791	792	
793	794	795	
796	797	798	
799	800	801	
802	803	804	
805	806	807	
808	809	810	
811	812	813	
814	815	816	
817	818	819	
820	821	822	
823	824	825	
826	827	828	
829	830	831	
832	833	834	
835	836	837	
838	839	840	
841	842	843	
844	845	846	
847	848	849	
850	851	852	
853	854	855	
856	857	858	
859	860	861	
862	863	864	
865	866	867	
868	869	870	
871	872	873	
874	875	876	
877	878	879	
880	881	882	
883	884	885	
886	887	888	
889	890	891	
892	893	894	
895	896	897	
898	899	900	
901	902	903	
904	905	906	
907	908	909	
910	911	912	
913	914	915	
916	917	918	
919	920	921	
922	923	924	
925	926	927	
928	929	930	
931	932	933	
934	935	936	
937	938	939	
940	941	942	
943	944	945	
946	947	948	
949	950	951	
952	953	954	
955	956	957	
958	959	960	
961	962	963	
964	965	966	
967	968	969	
970	971	972	
973	974	975	
976	977	978	
979	980	981	
982	983	984	
985	986	987	
988	989	990	
991	992	993	
994	995	996	
997	998	999	
1000	1001	1002	

Fig. 13

## 1.6 Information

### 1.6.1 Ecology

#### Information for the prevention of environmental pollution

Soil, air and water are essential for agriculture and all life on earth. **Protect them.** In areas where no local regulations impose standards for the use and disposal of chemicals and petrochemical products required by modern technology, all necessary precautions must be adopted to avoid any risk of pollution.

The following guidelines may be helpful:

- Find out about the legal requirements in your country and comply strictly with them.
- If no regulations are in force, ask your Dealer about the effects of lubricants, fuels, antifreeze mixtures, cleaning agents etc. on people and the environment. Also ask how to store, use and dispose of such products correctly. In most cases, agricultural advisers will be able to answer your questions satisfactorily.

#### Important Notes

1. When refueling the machine, take all necessary precautions to avoid fuel spillage. In particular, avoid using pressurized containers or fuel supply systems, as these are unsuitable.
2. As a rule, avoid any skin contact with liquid fuels, lubricants, acids, solvents etc. Most of these products contain substances that are potentially harmful.
3. **Do not dispose of lubricants by burning: They contain substances that may be noxious when burned.**
4. Whenever possible, use biodegradable oil for lubricating the chains, as this oil cannot be collected.
5. Avoid spillage while draining oil, brake fluid, coolant etc. from the engine, gearbox and hydraulic system. Collect the fluids in suitable containers and dispose of them properly, according to regulations in force and the availability of suitable systems.
6. Modern coolants and mixtures, e.g. antifreeze and other additives, must be replaced every two years. Never let them drain into the ground; collect and dispose of them safely.
7. Never open or modify the air conditioning system. It contains gasses which must not be released in the atmosphere. Contact your Dealer or a specialist who has the correct equipment for emptying and recharging the system and for carrying out any required maintenance or repair.
8. Immediately repair any leaks or defects in the engine cooling or hydraulic system to prevent any risk of pollution.
9. Never increase the pressure in a pressurized system. This may cause the components to burst.
10. When welding, protect the hoses properly against welding spatters that could damage or weaken hoses and sleeves, resulting in oil and coolant leaks.

### 1.6.2 Hydraulic systems: hoses

Hoses are an important part of modern machines.

Hose features may change over the years when exposed to pressure, vibrations, weather conditions, etc.

Inspect the hydraulic hoses at the beginning of each new harvesting season.

Regulations in force (e.g. DIN 20066) require hose replacement six years from manufacturing (the manufacturing date is printed on most hoses, which helps determine when replacement is due).

**It is important to observe these recommendations.**



**DANGER:**

**In the event of leaks, pressurized liquid may penetrate your skin and cause severe injury.**

**Immediately seek medical advice from a doctor familiar with this type of accident. This kind of injury requires surgery.**

**Always relieve the pressure before operating on the hydraulic system.**

**Ensure that all hydraulic couplings are properly tightened before letting oil into a pressurized circuit.**

**Search for leaks without touching with bare hands; e.g. use a piece of cardboard.**

**Wear suitable protective clothing to avoid touching liquids with hands or body.**

### **Safety requirements for hydraulic systems and their components**

- Hoses may not be manufactured using recycled material.
- Never weld on hydraulic lines.
- In case of damage, immediately replace the lines.
- Do not modify hydraulic accumulators through adjustment, welding, etc.
- Before removing the hydraulic accumulators to carry out service or maintenance, relieve the pressure of the liquid contained therein completely.
- Service or maintenance on hydraulic accumulators should only be carried out by skilled technicians who are thoroughly familiar with these components.

---

### **1.6.3 Scrapping and disposal**

---

In addition to the recommendations in the section **Ecology**, which must be adhered to whenever the machine is used, the instructions listed below must also be followed when the time comes to scrap the combine.

- Find out about the legal requirements in your country and comply strictly with them.
- If no regulations are in force, contact your Dealer about the possibility of handing over the combine to a company skilled in machine disposal.

Instructions:

1. Drain the hydraulic and hydrostatic circuits, engine sump, gearbox, final drives, etc., collecting the oil in suitable containers to be kept in a safe place until they can be disposed of appropriately.
2. Drain radiator coolant and store it as described above.
3. Empty the air conditioning system. Contact your Dealer or an authorized workshop who has the correct tools for emptying the system.
4. Separate different materials, such as glass, plastic, iron, aluminum, tires, etc. for easier recycling.

## 1.7 Weight

### 1.7.1 Weight distribution

The weight distribution on the two axles depends on how the combine is equipped.

If a cutting table other than the standard table is attached to the combine, please note that at least 20% of the total weight of the combine must rest on the rear axle.

In accordance with the above, ballast weights could be required at the rear of the combine.

#### Checking the total weight distribution (with table attached) on both axles

Ensure that the capacity of the weighing equipment is sufficient.

When weighed, the machine fuel tank must be filled and the operator must be in his seat.

Check that the load resting on each axle and the total weight do not exceed the maximum values permitted **by the manufacturer and indicated in the documents for road transport.**

#### Proceed as follows:

1. Place the table approximately 350 mm from the ground.

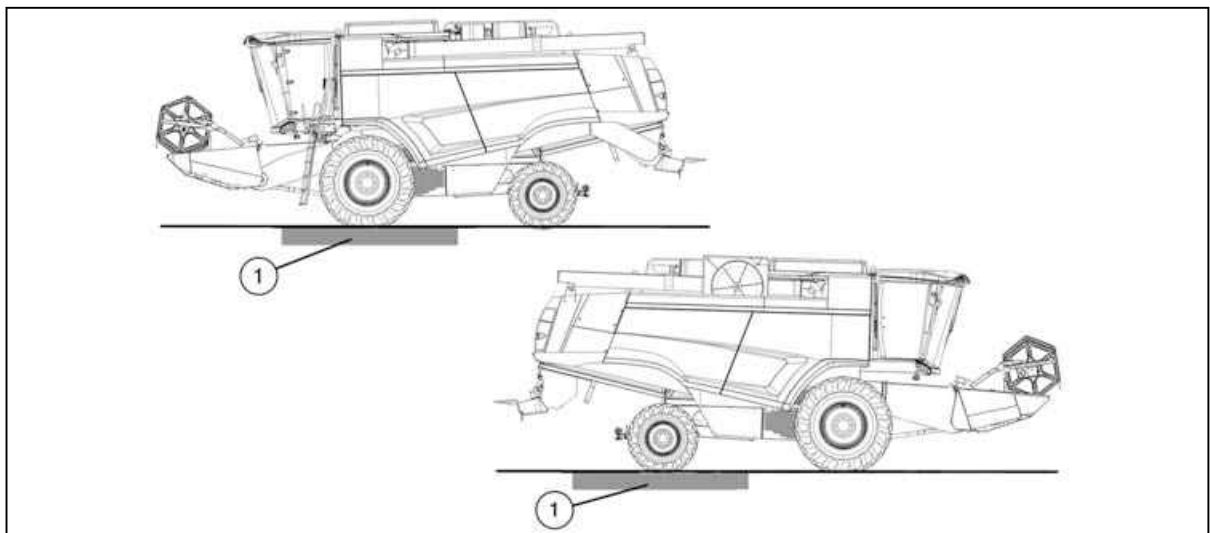


Fig. 14

2. Position the combine front axle in the middle of the weighing platform (1).
3. Measure the weight (Ma).
4. Position the rear axle in the middle of the weighing platform (1).
5. Measure the weight (Mp).
6. Calculate the total weight by adding up the two weights:  $M_t = M_a + M_p$
7. Determine whether 20% of the total mass of the machine is resting on the rear axle, by dividing Mp by Mt.

This ratio must be greater than or equal to 0.20, which as a percentage is 20%:

$$\mathbf{M_p: M_t \geq 0.20 \text{ (or 20\%)}}$$

If the calculated value is lower than 0.20, the weight on the rear axle must be increased by adding ballast weights (Mz).

8. When recalculating, the weight of the additional ballast weights must be taken into account in the total weight:

$$\mathbf{(M_p + M_z): (M_t + M_z) \geq 0.20 \text{ (or 20\%)}}$$

**Example**

Weight measured on the front axle, with table attached  $M_a = 12000$  kg.

Weight measured on the rear axle, with table attached  $M_p = 3100$  kg.

Machine total weight:

$M_t = M_a + M_p = 12000 + 3100 = 15100$  kg.

The value  $M_p : M_t = 3100 : 15100 = 0.205$  which corresponds to 20.5%, and is therefore correct.



## 2. Safety

<b>2.1 Warning symbols and safety instructions</b> .....	35
2.1.1 Warnings .....	35
<b>2.2 Information for road transport</b> .....	36
2.2.1 Road transport .....	36
<b>2.3 Information for operations</b> .....	39
2.3.1 Field Operations .....	39
<b>2.4 Information for maintenance</b> .....	43
2.4.1 Maintenance work .....	43
<b>2.5 Information on the engine</b> .....	47
2.5.1 Engine .....	47
<b>2.6 Safety and function decals</b> .....	51
2.6.1 Location of decals .....	51
2.6.2 Description of decals .....	54
<b>2.7 Work on the battery</b> .....	66
2.7.1 Battery .....	66
<b>2.8 Safety devices</b> .....	67
2.8.1 Emergency exit .....	67
2.8.2 Operator presence device .....	68
2.8.2.1 Returning the machine to normal operation .....	68
2.8.2.2 Operator presence device anomaly .....	69
2.8.3 Safety belts .....	70
2.8.4 Cutting table safety stops .....	71
2.8.5 Safety guard for main crop elevator .....	72
2.8.6 Sprags for wheels .....	72
2.8.7 Audible alarm for reversing .....	73
2.8.8 Reflectors for road transport .....	74
2.8.9 Safety Guards .....	75
2.8.10 Fall protection rails .....	75
2.8.11 Safety devices for operations to be carried out in the upper part of the machine .....	77
2.8.12 Straw Chopper (if fitted) .....	78
2.8.13 Fire extinguisher .....	78
<b>2.9 Trailer hitch</b> .....	79
2.9.1 Automatic towing hooks .....	79
2.9.2 CUNA and CE trailer hitches .....	80
2.9.2.1 Procedure for attaching and removing .....	81
2.9.2.2 Drawbar coupling .....	82
2.9.3 ROCKINGER trailer hitch .....	82
2.9.3.1 Removal .....	82
2.9.3.2 Drawbar coupling .....	83
2.9.4 Fixed trailer hitch (non-automatic - CUNA type) .....	84
<b>2.10 Machine lifting</b> .....	85
2.10.1 Attachment points .....	85
<b>2.11 Towing</b> .....	86
2.11.1 Towing the combine .....	86
<b>2.12 Further information</b> .....	87
2.12.1 Noise level in the cab .....	87
2.12.2 Vibrations in the cab .....	87
2.12.3 Statutory regulations .....	87
2.12.4 Electromagnetic emissions .....	88

---

<b>2.13 Notes</b> .....	89
2.13.1 Notes for road transport .....	89

## 2.1 Warning symbols and safety instructions

### 2.1.1 Warnings

#### **Agricultural accidents can be prevented with your help.**

All accident prevention depends on the full co-operation of the persons using or involved with service or maintenance of the machine.

Most accidents can be avoided by observing simple safety rules.

**The best safety system** is one in which the operator observes all applicable regulations for machine safety and maintenance.

Some of the illustrations contained in this manual were obtained by photographing combine models of the same series, which may be differently equipped. This means that apparent discrepancies may result between your combine and those depicted in this manual.



#### **DANGER:**

**This symbol is used in this manual whenever your safety is involved. Take the time to read and follow the instructions. Most importantly, be careful! You can never be too prudent. In order to provide a better view, certain photographs or illustrations in this manual may show an assembly with the safety guards open or removed. Fit and close all guards prior to machine operation.**

#### **Personal protection**

Three types of warning signs appear in this manual and on the decals applied to the machine (**Caution**, **Warning** and **Danger**) followed by specific instructions or decals with symbols clearly illustrating the type of hazard.

These instructions involve your safety and the safety of people working nearby.

#### **Pay particular attention to these warnings.**



#### **CAUTION:**

**Indicates a potentially dangerous situation. If not avoided, it may result in minor injuries.**



#### **WARNING:**

**Indicates a potentially dangerous situation. If not avoided, it may result in serious injuries.**



#### **DANGER:**

**Indicates a potentially dangerous situation. If not avoided, it may result in very serious injuries or even death.**

Failure to follow the instructions related to the terms **Caution**, **Warning** and **Danger** may result in minor or serious injuries or even death.

#### **Machine safety**

Other types of advice (**Note**, **Important**) are followed by special instructions referring to the safeguarding of the machine.

#### **NOTE:**

*Highlights and describes correct techniques or procedures to be adopted by the operator.*

#### **IMPORTANT:**

*Informs the operator that unless a special procedure is followed, damage, including serious damage, could be caused to the machine.*

## 2.2 Information for road transport

### 2.2.1 Road transport

Most agricultural accidents can be avoided by observing simple safety rules.

Before starting the machine, sound the horn several times and make sure that there are no people, domestic pets or obstacles nearby.

During maneuvers remember that the reversing audible alarm might not be understood by some people, for example children, as a danger signal.

#### Combine road transport

- The combine may be operated only by responsible personnel, trained and authorized to work with the machine. Avoid operating the combine when physically unfit; it is better to interrupt work than to risk an accident.



#### WARNING:

**Operators must not use alcohol or drugs: which may impact their alertness or co-ordination when operating the combine. Operators on prescription or over-the-counter drugs need a doctor's note to certify that they can operate the combine properly.**

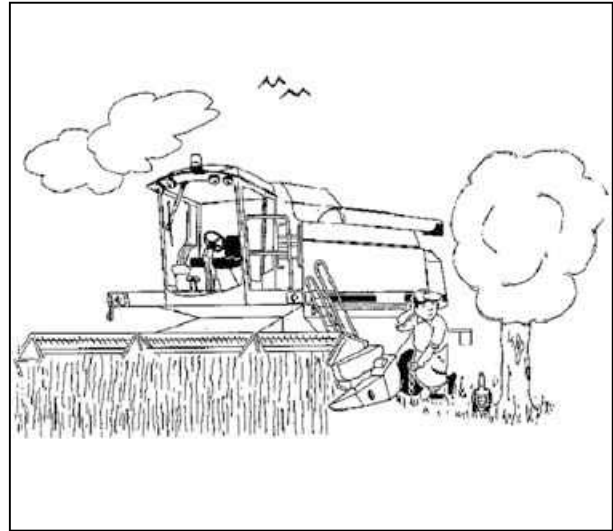


Fig. 1

- In many countries (e.g. Italy and France) a driving license is required if the combine is to be driven on public roads.
- Operators should familiarize themselves with the provisions of the Road Traffic Acts and of the regulations thereunder in order to ensure that, when taking the combine on public roads, they comply with the relevant statutory requirements. They should keep a suitable speed for road and traffic conditions and ensure that all the machine safety devices (if required) are fitted and working properly.

#### The grain tank must be empty and the unloading auger must be turned in.

- For safety reasons, the two brake pedals must be latched in order to be pressed simultaneously when traveling on roads. To hold the machine on inclined ground, the handbrake must be used (the braking effect of the hydrostatic drive alone is not sufficient).
- When traveling on roads, make sure that the rotating beacons and the other additional signals required to warn that the vehicle is abnormally large and slow-moving, are working properly.

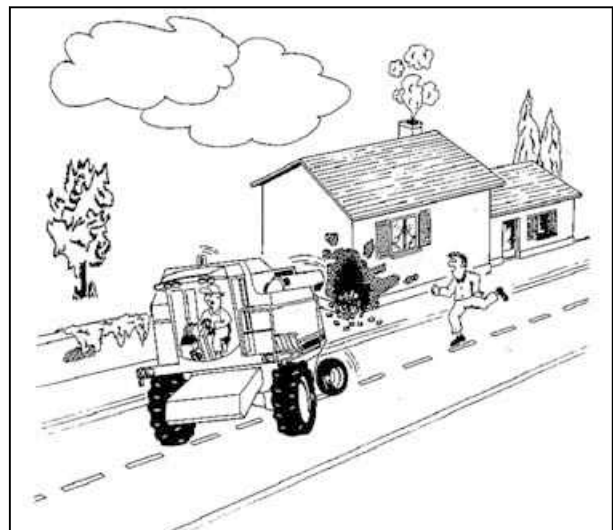


Fig. 2

- When driving on roads, turn the cab access ladder forward. When entering and leaving the combine always use the ladders, handrails and the handles provided. It is strictly forbidden to ride on the access ladders to the cab, engine compartment and grain tank when the machine is moving.



Fig. 3

- On the left-hand side of the operator's seat there is an additional seat that can be used by a trainee or instructor during harvest. **No other persons are allowed on the machine.**



**WARNING:**

**This seat is not intended for children.**

In road transport, one person employed for agricultural jobs is allowed in the passenger seat, provided this is permitted by local regulations and provided that a seat for transport of a passenger on public roads is in accordance with the combine documentation. Always use the seatbelts provided on the operator seat and on the passenger seat.

- It is advisable to keep a first-aid kit on hand.
- Do not brake abruptly as this could cause the machine to swerve.
- In case of steep uphill or downhill slopes, always select a low gear; change gear before reaching the sloped area. Gradually engage the multifunction lever.
- In countries where travelling on roads with the table attached is allowed when circumstances permit, the table must be secured against lowering by engaging the safety stops on the hydraulic cylinders and locking the main crop elevator adapter (see the section **Controls and instruments** in the chapter **Driving on public roads**).
- When driving on the road at night, the front headlights must be dipped so that the low beam line hits the ground no further than ten meters in front of the vehicle. The rotating beacons must always be operating, even when there is no need for visual signaling and lighting devices. Switch off the work lights (these two controls, and others, operate automatically when "road transport mode" is activated).



Fig. 4

- Before driving on public roads, ensure that the machine is equipped for road transport (see the section **Controls and instruments** in the chapter **Driving on public roads**).



**WARNING:**

**The combine may be transported on public roads only with an empty grain tank.**

- If it is necessary to tow the combine due to a mechanical breakdown, strictly follow the procedure indicated in this section in the chapter **Towing the combine**.
- When driving on public roads towing the cutting table, ensure that the local traffic regulations (lights, correctly fitted trailer hitch etc.) are complied with. Ensure the cutter bar protection shield is fitted.
- Before driving on public roads, ensure that the table has been fastened correctly onto the trailer.

For more detailed information follow the instructions in the table trailer operator's manual.



Fig. 5

## 2.3 Information for operations

### 2.3.1 Field Operations



**DANGER:**

To provide a better view, certain illustrations in this manual show the machine with the safety guards or covers removed. Keep all guards in place. Use drive shafts with adequate protection devices.

- Before starting work the operator should familiarize himself thoroughly with all machine controls. Ensure that the table has been properly attached. **The combine manufacturer shall not be held liable if non-genuine tables are used.**
- During harvesting operations do NOT allow anyone to come near the machine. People nearby could be knocked, struck or squashed by the machine or be trapped in the harvesting parts.
- Always drive the combine at a speed which, depending on ground conditions, provides the necessary safety. When working **on rough ground**, proceed with great care to ensure machine stability. Always use the seatbelts provided on the operator seat and on the other seat, if an instructor is present.



**DANGER:**

**Risk of overturning.**

- When taking the combine to work on slopes, the operator must be thoroughly familiar with machine controls and with working on sloping ground.

The combine must not be used in the following situations (this list is not exhaustive):

- When maximum allowable inclination is exceeded (see the section **General Information** in the chapter **Using the combine harvester**).
- If correct securing of the cutting table to the main crop elevator with the safety stops has not been checked.
- If adequate ballast has not been applied to balance the machine on the rear axle.
- If correct tyre pressures and proper operation of the levelling system (if fitted) have not been checked.
- If the ground is not sufficiently firm or features sudden surface changes, or the tyres do not have enough grip on the ground.
- If working close to the edge of ditches or steep drops.

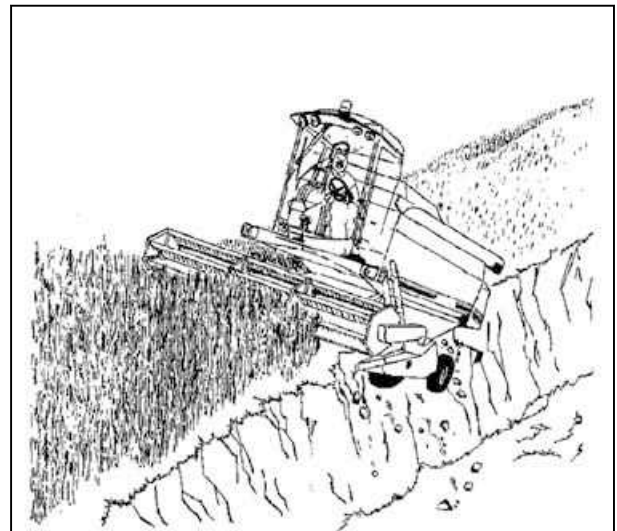


Fig. 6

- If the machine tends to tilt forward when working on slopes, lower the cutting table completely.
- Take turns and descents at moderate speeds (3–4 Km/h).

Halve the speed when the grain tank is full.

- During harvesting operations, always use the leveling system, if fitted.

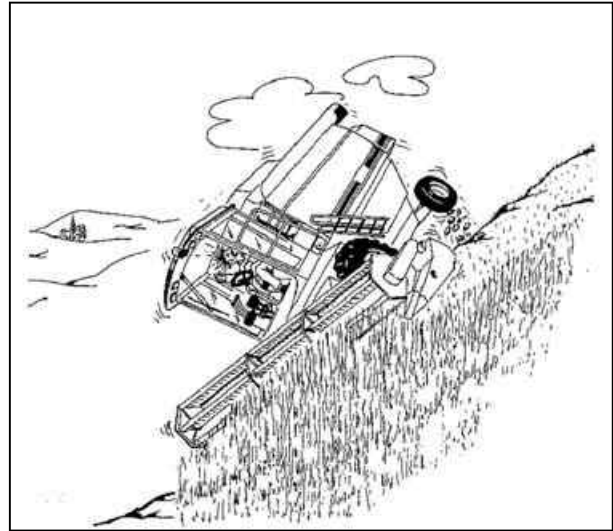


Fig. 7



**DANGER:**

**Risk of squeezing, cutting or getting trapped.**

- If any moving part becomes blocked or jammed, release it only when the engine is switched off and all drives have come to a complete stop. Never push the crop into the main crop elevator using hands, feet or any other means. This may cause severe injury or death.
- Never enter the grain tank unless the engine has been switched off and the ignition key has been removed from the instrument panel.



**DANGER:**

**Risk of breathing in dust.**

- Threshing dust may cause allergic lung diseases. The dust may also contain residues of pesticides injurious to health. Keep the cab doors shut when threshing. Wear a protection mask when carrying out service work involving exposure to dust (cab filters, rotary screen etc.) and when working with compressed air.
- Keep a fire extinguisher within easy reach. Check the extinguisher at the intervals prescribed by national law. Replace or recharge it whenever it has been used, even if only partially. The type of extinguisher approved for Europe contains 6 kg of extinguishing agent and belongs to fire class ABC. We recommend checking the dimensions of a potential new extinguisher to ensure that it can be stored underneath the operator's seat (see the paragraph **Safety devices**).



This as a preview PDF file from [best-manuals.com](http://best-manuals.com)



Download full PDF manual at [best-manuals.com](http://best-manuals.com)