

PREFACE

1. This parts catalog is the last edition of YANMAR Super-Mini Backhoe, Scopy B03.

2. Parts catalog history

	Parts catalog No.	Published	Remarks
First edition	000Y00K2630	Jun.,1990	Scrap old edition
Last edition	000y00k2631	Nov.,1994	

3. Model Name

SECTION	Coiumn	Model	Manufactured	Machine No.
I	(A)	B03 G (GREEN)	90/4~91/4	00501~01477
	(B)	B03 P (PINK)	90/4~90/6	00506~00610
	(C)	B03Y (YELLPW)	91/7~91/4	00636~01456
II	(A)	GA120R-DZB	90/4~91/6	20854~43816

4. Painted Color

Painted color	Paint code (16 ℓ)	Spray code
Yanmar emerald green	933110-91764	977620-30761
Yanmar rose pink	933110-91775	977620-30771
Yanmar saffron yellow	933110-91603	977620-30381
Yanmar charcoal gray	981101-09516	977620-30371
Yanmar warm gray	—	TOR-90450003
Yanmar red	—	TOR-90400003

5. Your underatanding is asked that Parts catalog is not atechanical data manual setting forth such as maintenance servicing procedures, this Parts catalog is using simplified illustration & the contents of this Parts cata ; og may be altered without prior notice.

Be sure to ose Yanmar genuine [arts in youn maintenance servicing of Yanmar product.

SPECIFICATIONS

Name			YANMAR CRAWLER BACKHOE
Model			B03
Engine	Model		GA120RDZB
	Type		Vertical 4-cylinder air-cooled gasoline(OHV)
Dimensions	Transport length	mm	2010
	Transport width	mm	600
	Transport height	mm	1050
Std. bucket capacity		m ³	0.007
Std. bucket width(Outside)		mm	250
Max. digging depth		mm	1010
Max. cutting height		mm	1800
Max. dump height		mm	1220
Max. reach at ground level		mm	1920
Boom swing angle		degree	Left70 · Right70
Max. digging force		kgf	350
Travel speed		km/h	1.4
Gradability		degree	25
Average ground pressure		kgf/cm ²	0.17
Track shoe width(Std.)		mm	150
Blade	Width × height	mm	600 × 160
	Capacity	m ³	0.015
Machine mass		kg	350

絵目次 (1) 主要部分
 PICTURESQUE INDEX(1) . . . MAIN PARTS

銘板 Fig.1~3
 LABEL

バッテリー Fig.7
 BATTERY
 カバー & ボンネット Fig.15
 COVER & BONNET

操縦装置 Fig.10~12
 CONTROL EQUIPMENT
 旋回装置 Fig.14
 TURNING EQUIPMENT
 コントロールバルブ Fig.24~26
 CONTROL VALVE

アクセル & 電装品 Fig.8
 ACCELERATOR & ELECTRIC PART

油圧配管 Fig.27~29
 HYD. OIL PIPING

ブームシリンダ Fig.17
 BOOM CYLINDER

ブーム & アーム Fig.31
 BOOM & ARM

アームシリンダ Fig.18
 ARM CYLINDER

走行モータ Fig.22
 DRIVING MOTOR

フレーム Fig.13
 FRAME

バケット Fig.32
 BUCKET

エンジンマウント & エンジン付属 Fig.4
 ENGINE MOUNT & ENGINE ACCESSORY
 マフラー & ダクト Fig.5
 MUFFLER & DUCT
 ポンプ & ポンプマウント Fig.16
 HYD. OIL PUMP & PUMP MOUNT

バケットシリンダ Fig.19
 BUCKET CYLINDER

スイングシリンダ Fig.20
 SWING CYLINDER

ブレードシリンダ Fig.21
 BLADE CYLINDER

作動油タンク Fig.23
 HYD. OIL TANK

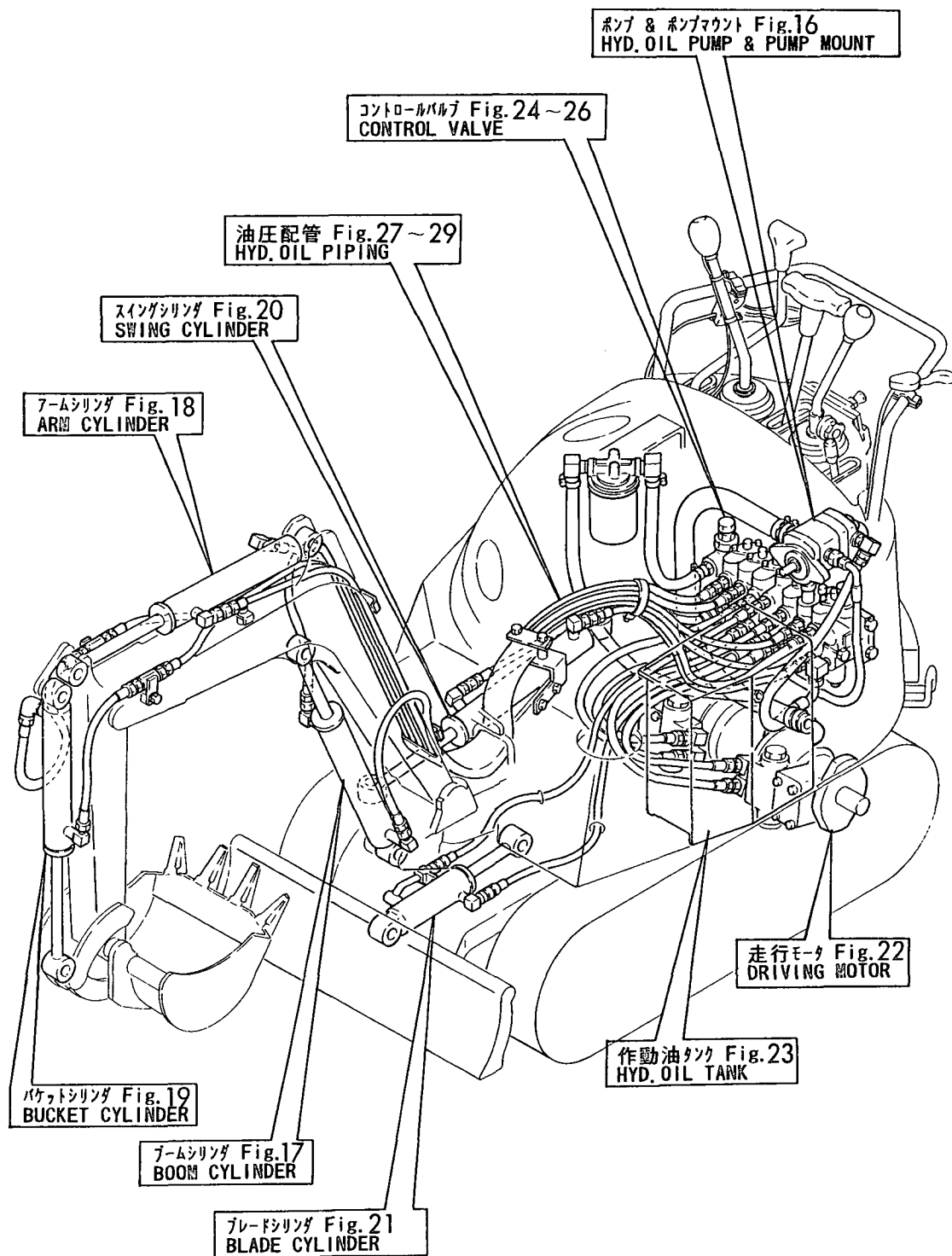
F.O.タンク & F.O.パイプ Fig.6
 FUEL TANK & FUEL LINE

ブレード Fig.33
 BLADE

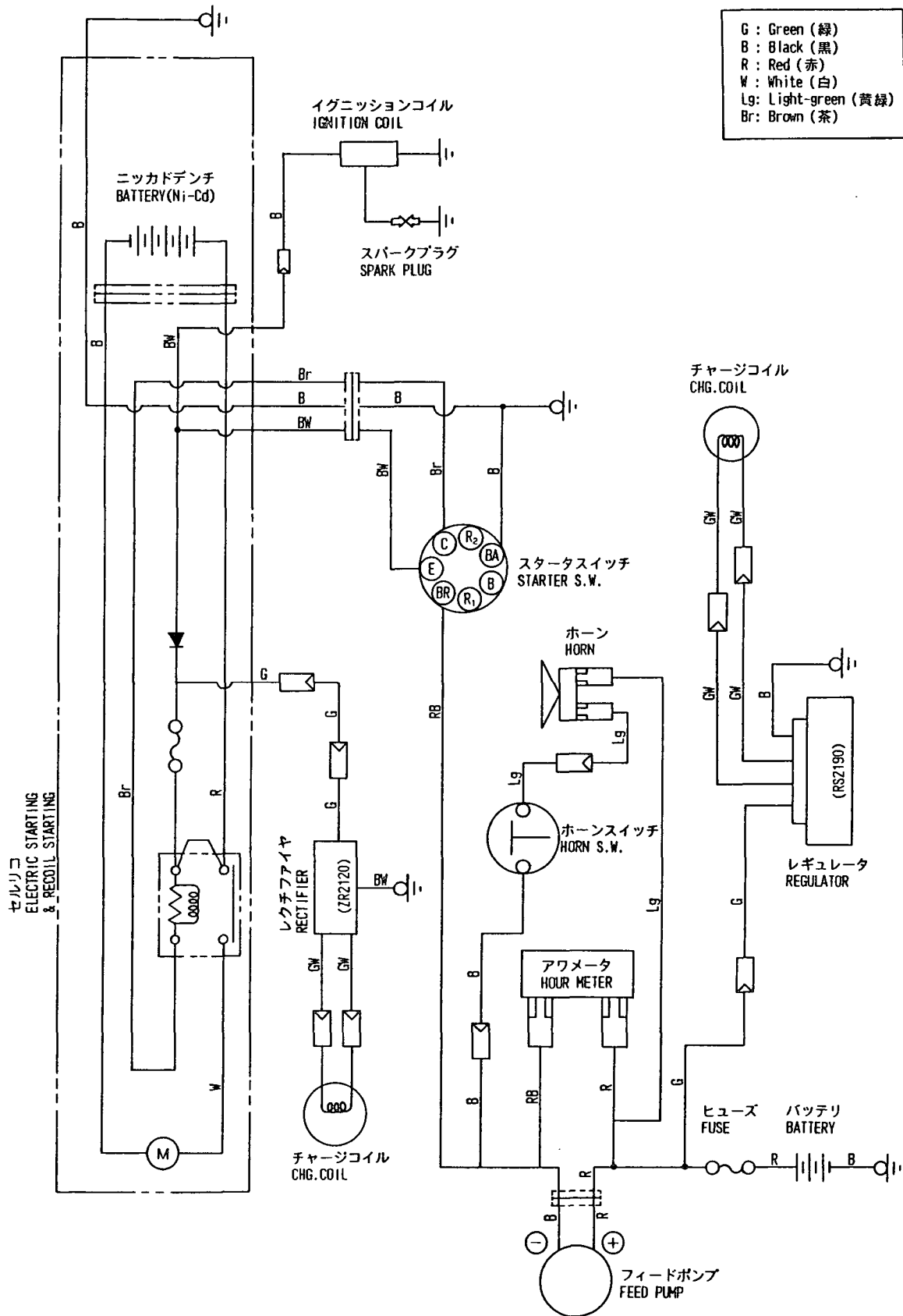
遠隔グリース Fig.30
 GREASING

アイドル, トラッカー & クローラ Fig.9
 IDLER, TRACK ROLLER & CRAWLER

絵目次 (2) 油圧関係
PICTURESQUE INDEX(2) HYDRAULIC SECTION



配線図 WIRING DIAGRAM



[Info]

PcNo=Y00K2631

PcName=B03(»²¼Ō³) (B4451)

JpnUse=1

JpnSec1=Œš<@

JpnSec2=fofbfNfz [

JpnSec3=B

JpnPreface=1

EngUse=1

EngSec1=CONSTRUCTION

EngSec2=EXCAVATOR (B)

EngSec3=B

EngPreface=1

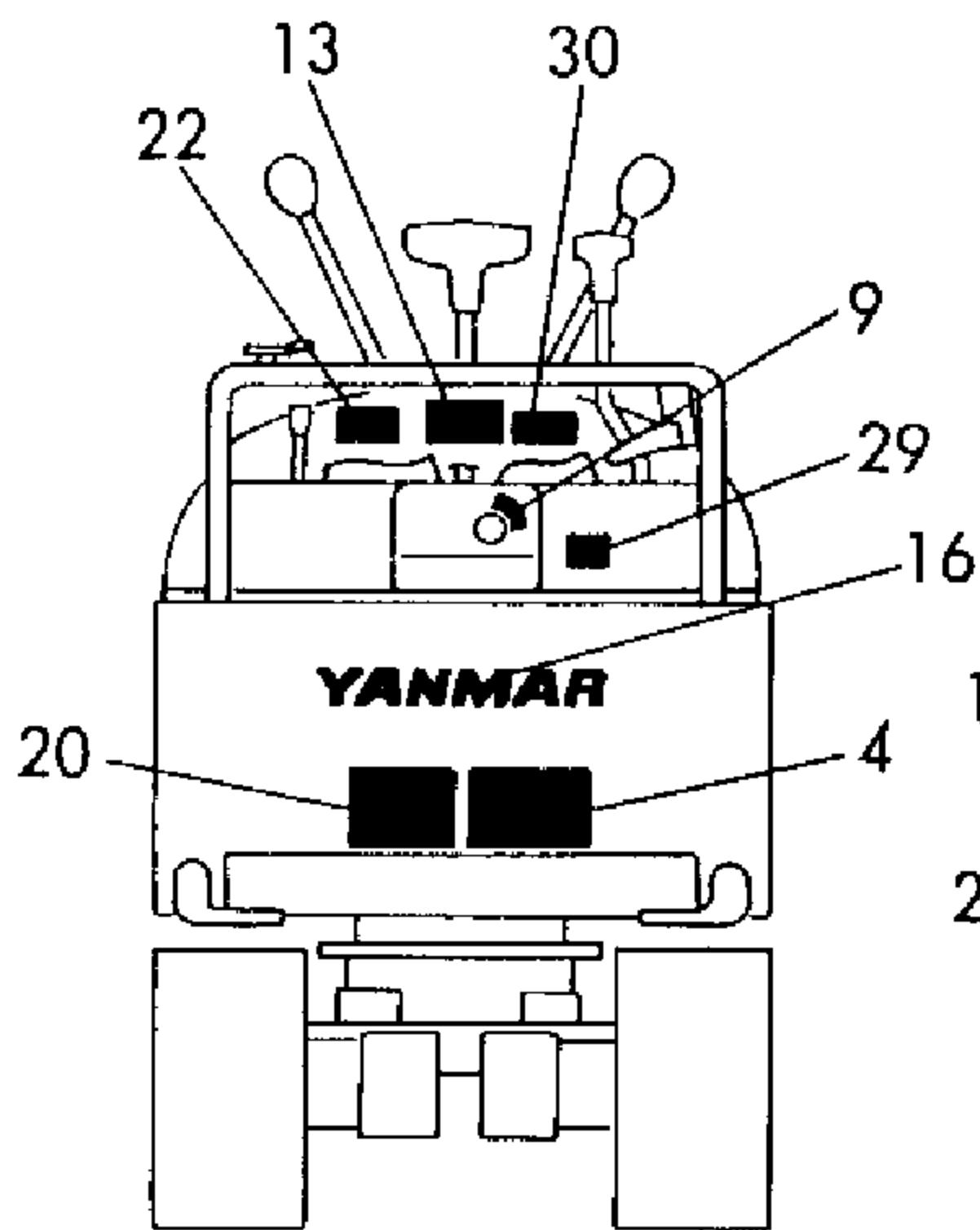
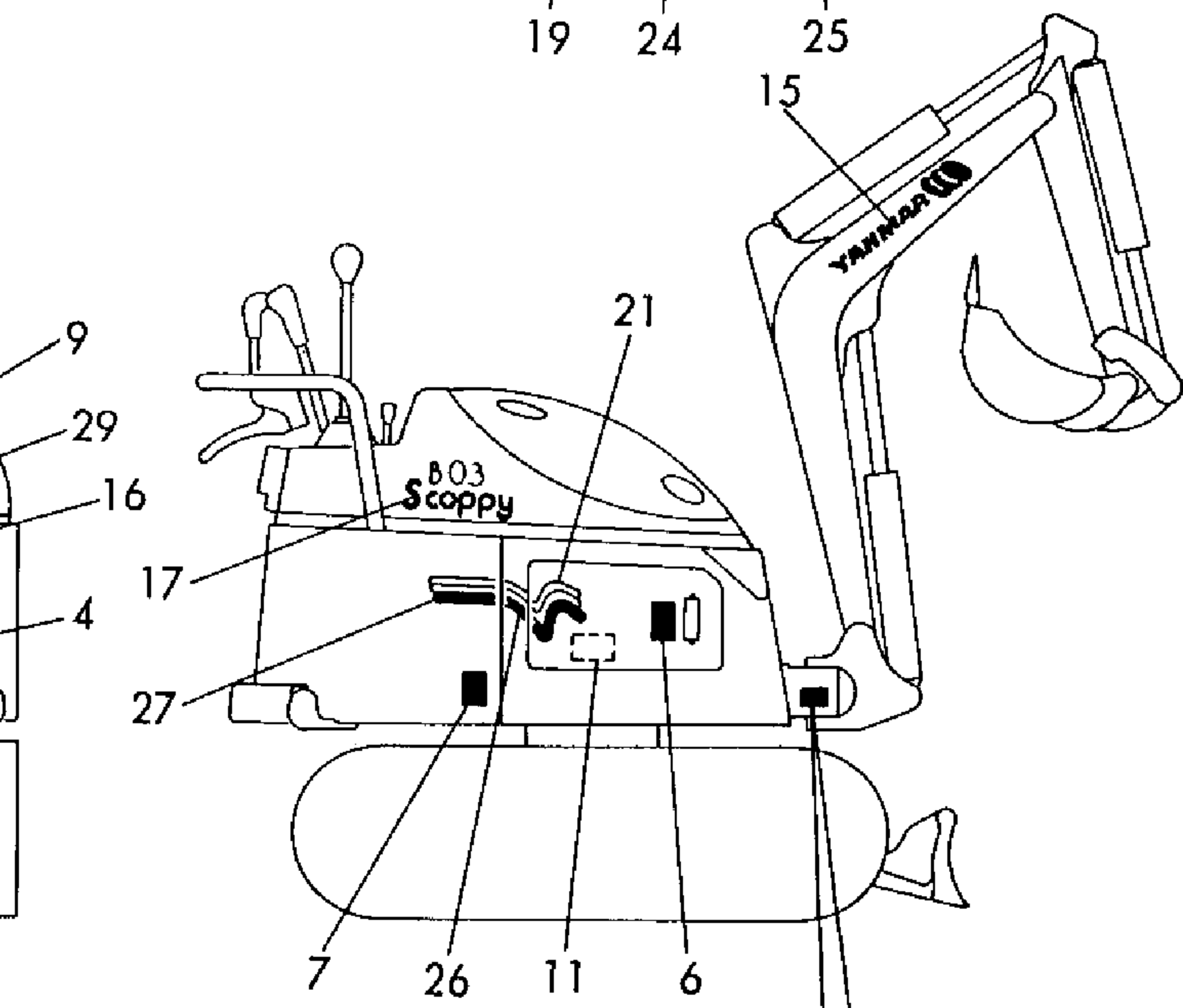
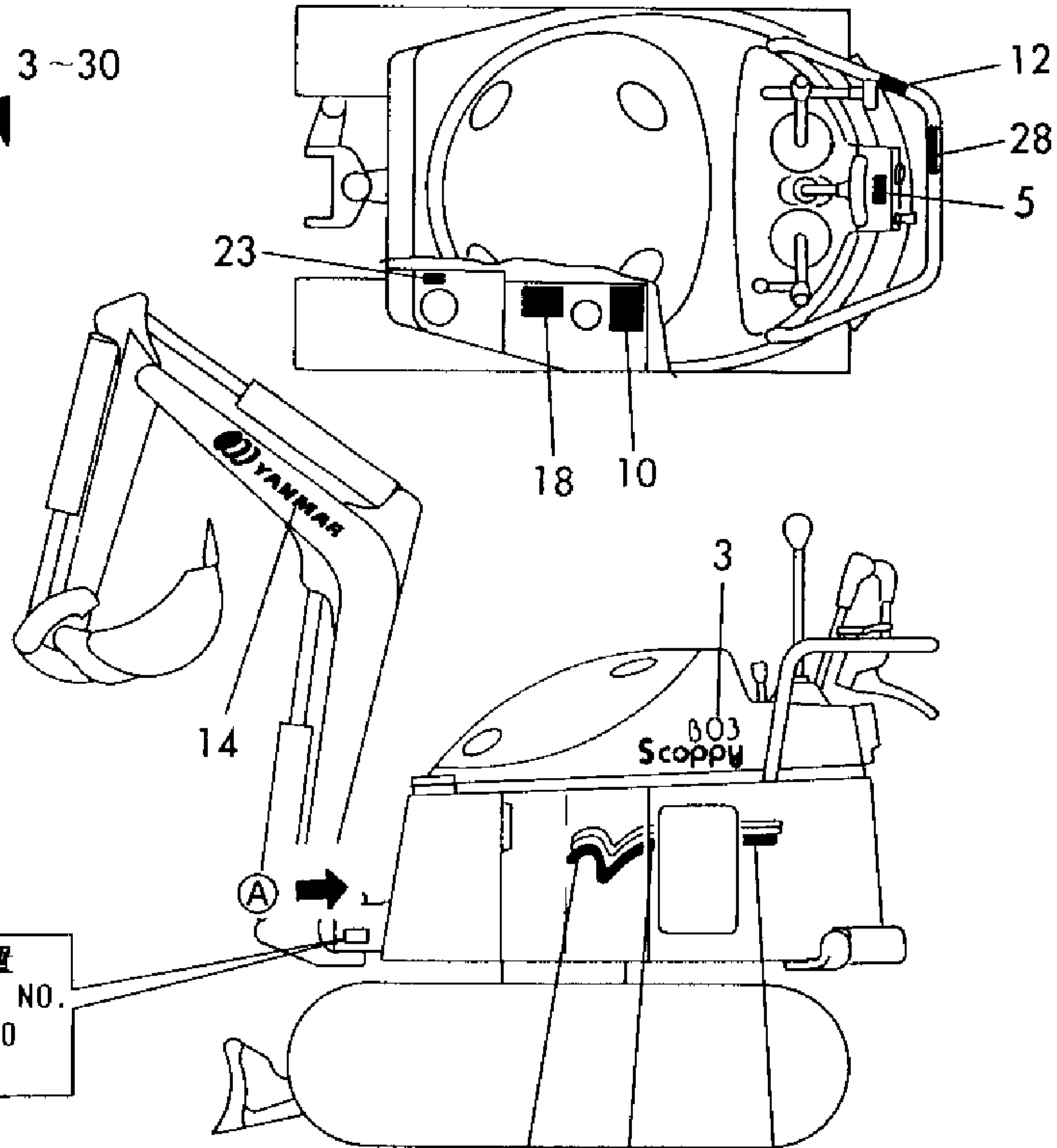
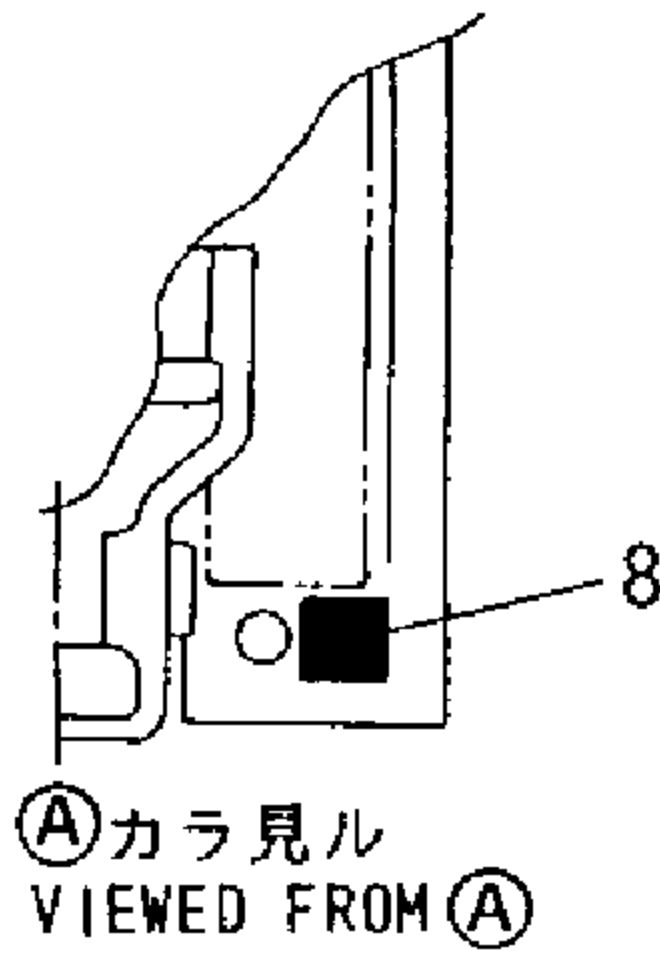
2A,1,,772155-03100,, "LABEL SET(GREEN.PINK",1,1,,,,,,,,,,,,,
2A-1,1,,772155-03101,, "LABEL SET(GREEN)",1,,,,,S,,,M01478,,,,,
2B,1,,772155-03120,, "LABEL SET, B03.Y",,1,,,,,W,,,,,M00646,,,,,
2B-1,1,,772155-03121,, "LABEL SET (YELLOW)",,1,,,,,S,,,,,M01478,,,,,
3A,2,,172155-03120,, "LABEL, B03",1,1,,,,,,,,,,,,,
3B,2,,172155-03330,, "LABEL, B03(L)",,1,,,,,,,,,,,,,
4,2,,172155-03130,, "LABEL, GREASING",1,1,1,,,,,,,,,,,,,
5,2,,172155-03140,, "LABEL, CAUTION",1,1,1,,,,,,,,,,,,,
5-1,2,,172155-03141,, "LABEL C, CAUTION",1,1,1,,,,,Q,,,M01037,,M01037,,M01037,,,,,
6,2,,172155-03150,, "LABEL, FUEL COCK",1,1,1,,,,,,,,,,,,,
7,2,,172155-03160,, "LABEL, GREASE-SWING",1,1,1,,,,,,,,,,,,,
8,2,,172155-03170,, "LABEL, GREASING",1,1,1,,,,,,,,,,,,,
9,2,,172131-03180,, "LABEL, KEY SWITCH",1,1,1,,,,,,,,,,,,,
10,2,,172141-03181,, "LABEL, RESERVER(C)",1,1,1,,,,,,,,,,,,,
11,2,,172155-03180,, "LABEL, ENGINE OIL",1,1,1,,,,,,,,,,,,,
12,2,,172155-03190,, "LABEL, TURN-COOK",1,1,1,,,,,,,,,,,,,
13,2,,172155-03200,, "LABEL, OPERATION",1,1,1,,,,,,,,,,,,,
13-1,2,,172155-03450,, "LABEL, OPERATION",1,1,1,,,,,S,,,M01478,,M01478,,M01478,,,,,
14A,2,,172155-03210,, "LABEL, BOOM",1,1,,,,,,,,,,,,,
14B,2,,172155-03350,, "LABEL, BOOM(Y.L)",,1,,,,,,,,,,,,,
15A,2,,172155-03220,, "LABEL, BOOM R",1,1,,,,,,,,,,,,,
15B,2,,172155-03360,, "LABEL, BOOM(Y.R)",,1,,,,,,,,,,,,,
16,2,,172155-03230,, "LABEL, YANMAR 280",1,1,1,,,,,,,,,,,,,
17A,2,,172155-03240,, "LABEL, B03 R",1,1,,,,,,,,,,,,,
17B,2,,172155-03340,, "LABEL, B03(R)",,1,,,,,,,,,,,,,
18,2,,172155-03310,, "LABEL, OILING",1,1,1,,,,,,,,,,,,,
19A,2,,172155-03250,, "LABEL, STRIPE (-1)",1,1,1,,,,,,,,,,,,,
20A,2,,172155-03110,, "LABEL, SPACIFICATION",1,1,1,,,,,,,,,,,,,
21A,2,,172155-03280,, "LABEL, STRIPE (R1)",1,1,1,,,,,,,,,,,,,
22,2,,172141-03350,, "LABEL, QUICK(C)",1,1,1,,,,,Z,,,M01478,,M01478,,M01478,,,,,
23,2,,160690-07060,, "LABEL, CAUTION",1,1,1,,,,,,,,,,,,,
24,2,,172155-03260,, "LABEL, STRIPE (L2)",1,1,1,,,,,,,,,,,,,
25,2,,172155-03270,, "LABEL, STRIPE (-3)",1,1,1,,,,,,,,,,,,,
26,2,,172155-03290,, "LABEL, STRIPE (R2)",1,1,1,,,,,,,,,,,,,
27,2,,172155-03300,, "LABEL, STRIPE (R3)",1,1,1,,,,,,,,,,,,,
28,2,,172155-03370,, LABEL,1,1,1,,,,,W,,,M01037,,M01037,,M01037,,,,,
29,2,,172155-03380,, "LABEL, ENGINE
START",1,1,1,,,,,W,,,M01277,,M01277,,M01277,,,,,
30,2,,172155-03321,, "LABEL, KEY",1,1,1,,,,,W,,,M00595,,M00595,,M00595,,,,,

Fig. 1 銘板 LABEL

SPEC. CODE
D72155-03100
D72155-03120

COUNTRY	J	P	E	P	E	X
APPLI- CATION	1	2	3			

2
inc. 3-30

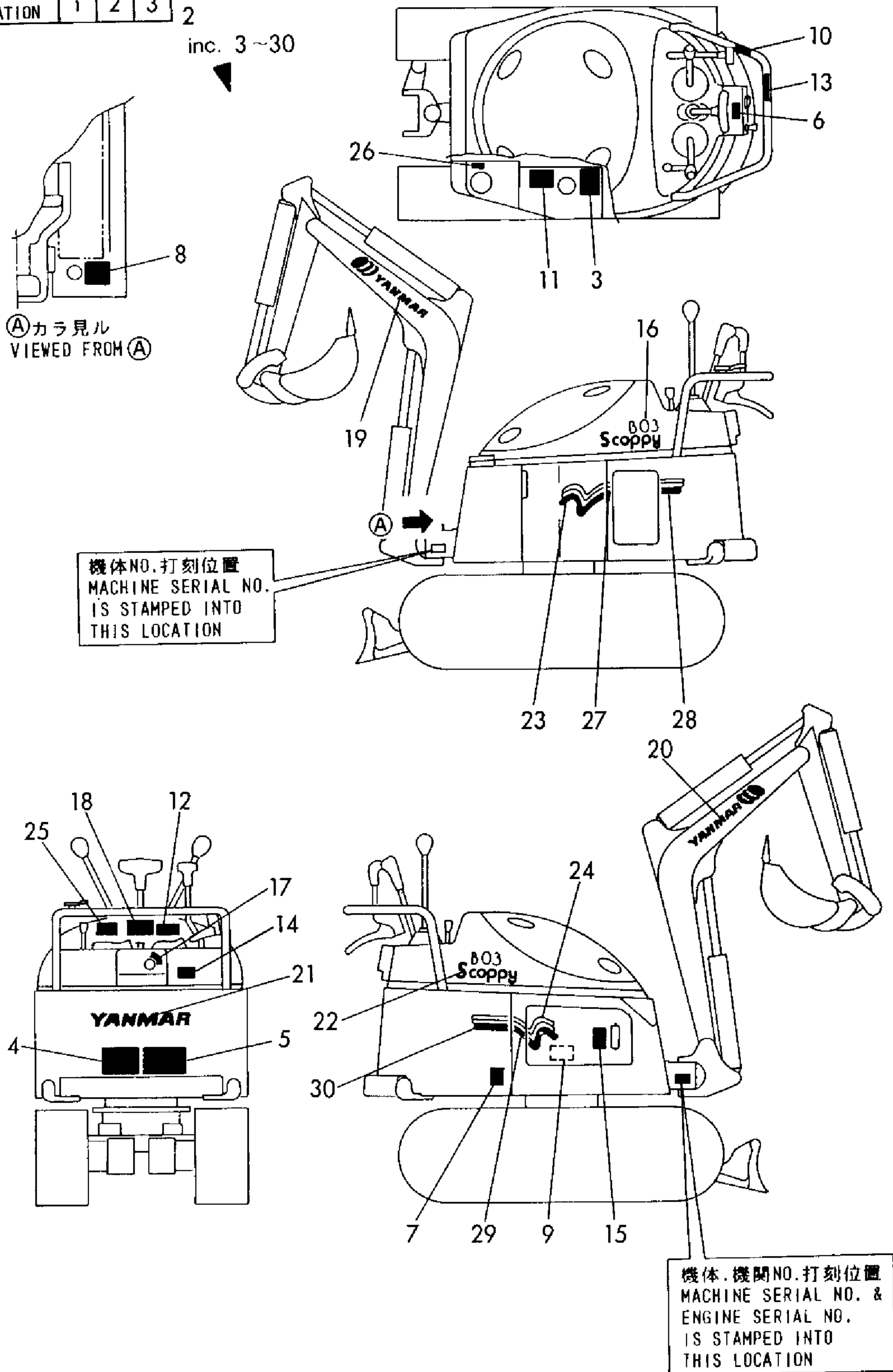


2,1,,772155-03150,, "LABEL SET(FR.GERM.)",1,,,,,,,,1,,,,,,,,,
3,2,,172143-03170,, LABEL,1,,,,,,,,,
4,2,,172155-03860,, "LABEL, SPECIFICATION",1,,,,,,,,,
5,2,,172155-03870,, "LABEL, GREASE OIL",1,,,,,,,,,
6,2,,172155-03880,, "LABEL, CAUTION",1,,,,,,,,,
7,2,,172155-03890,, "LABEL, GREASE SWING",1,,,,,,,,,
8,2,,172155-03900,, "LABEL, GREASE TURN",1,,,,,,,,,
9,2,,172155-03910,, "LABEL, ENGINE OIL",1,,,,,,,,,
10,2,,172155-03920,, "LABEL, TURNING LOCK",1,,,,,,,,,
11,2,,172155-03930,, "LABEL, OIL SUPPLY",1,,,,,,,,,
12,2,,172155-03940,, "LABEL, KEY OFF",1,,,,,,,,,
13,2,,172155-03950,, LABEL,1,,,,,,,,,
14,2,,172155-03960,, "LABEL, ENGINE START",1,,,,,,,,,
15,2,,172155-03970,, "LABEL, FUEL COCK",1,,,,,,,,,
16,2,,172155-03120,, "LABEL, B03",1,,,,,,,,,
17,2,,172131-03180,, "LABEL, KEY SWITCH",1,,,,,,,,,
18,2,,172155-03200,, "LABEL, OPERATION",1,,,,,,,,,
19,2,,172155-03210,, "LABEL, BOOM",1,,,,,,,,,
20,2,,172155-03220,, "LABEL, BOOM R",1,,,,,,,,,
21,2,,172155-03230,, "LABEL, YANMAR 280",1,,,,,,,,,
22,2,,172155-03240,, "LABEL, B03 R",1,,,,,,,,,
23,2,,172155-03250,, "LABEL, STRIPE (-1)",1,,,,,,,,,
24,2,,172155-03280,, "LABEL, STRIPE (R1)",1,,,,,,,,,
25,2,,172141-03350,, "LABEL, QUICK(C)",1,,,,,Z,,,,M01478,,,,,
26,2,,160690-07060,, "LABEL, CAUTION",1,,,,,,,,,
27,2,,172155-03260,, "LABEL, STRIPE (L2)",1,,,,,,,,,
28,2,,172155-03270,, "LABEL, STRIPE (-3)",1,,,,,,,,,
29,2,,172155-03290,, "LABEL, STRIPE (R2)",1,,,,,,,,,
30,2,,172155-03300,, "LABEL, STRIPE (R3)",1,,,,,,,,,

Fig. 2 銘板(輸出 フランス, ドイツ)
 LABEL (EXPORT FRANCE, GERMAN)

SPEC. CODE
 D72155-03150

COUNTRY	J	P	E	P	E	X
APPLI- CATION	1	2	3			

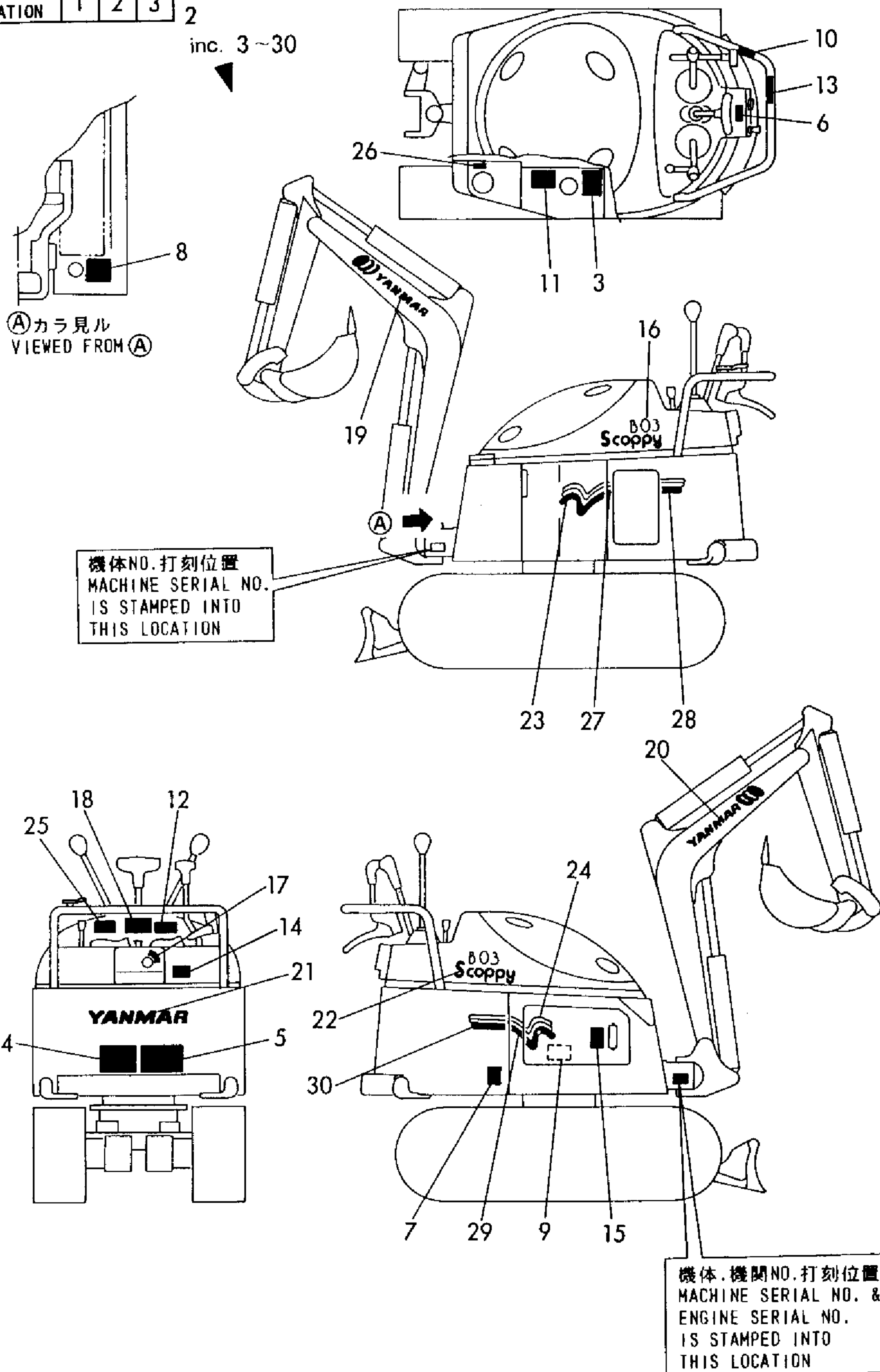


2,1,,772155-03160,, "LABEL SET(ENGLAND)",1,,,,,,,,1,,,,,,,,,
3,2,,172141-03450,, "LABEL, RESERVER(C)",1,,,,,,,,,,,,,,,,,
4,2,,172155-03720,, "LABEL, SPECIFICATION",1,,,,,,,,,,,,,,,,,
5,2,,172155-03730,, LABEL,1,,,,,,,,,,,,,,,,,
6,2,,172155-03740,, LABEL,1,,,,,,,,,,,,,,,,,
7,2,,172155-03750,, LABEL,1,,,,,,,,,,,,,,,,,
8,2,,172155-03760,, LABEL,1,,,,,,,,,,,,,,,,,
9,2,,172155-03770,, LABEL,1,,,,,,,,,,,,,,,,,
10,2,,172155-03780,, LABEL,1,,,,,,,,,,,,,,,,,
11,2,,172155-03790,, LABEL,1,,,,,,,,,,,,,,,,,
12,2,,172155-03800,, LABEL,1,,,,,,,,,,,,,,,,,
13,2,,172155-03810,, LABEL,1,,,,,,,,,,,,,,,,,
14,2,,172155-03820,, LABEL,1,,,,,,,,,,,,,,,,,
15,2,,172155-03830,, LABEL,1,,,,,,,,,,,,,,,,,
16,2,,172155-03120,, "LABEL, B03",1,,,,,,,,,,,,,,,,,
17,2,,172131-03180,, "LABEL, KEY SWITCH",1,,,,,,,,,,,,,,,,,
18,2,,172155-03200,, "LABEL, OPERATION",1,,,,,,,,,,,,,,,,,
19,2,,172155-03210,, "LABEL, BOOM",1,,,,,,,,,,,,,,,,,
20,2,,172155-03220,, "LABEL, BOOM R",1,,,,,,,,,,,,,,,,,
21,2,,172155-03230,, "LABEL, YANMAR 280",1,,,,,,,,,,,,,,,,,
22,2,,172155-03240,, "LABEL, B03 R",1,,,,,,,,,,,,,,,,,
23,2,,172155-03250,, "LABEL, STRIPE (-1)",1,,,,,,,,,,,,,,,,,
24,2,,172155-03280,, "LABEL, STRIPE (R1)",1,,,,,,,,,,,,,,,,,
25,2,,172141-03350,, "LABEL, QUICK(C)",1,,,,,,Z,,,,M01478,,,,,,
26,2,,160690-07060,, "LABEL, CAUTION",1,,,,,,,,,,,,,,,,,
27,2,,172155-03260,, "LABEL, STRIPE (L2)",1,,,,,,,,,,,,,,,,,
28,2,,172155-03270,, "LABEL, STRIPE (-3)",1,,,,,,,,,,,,,,,,,
29,2,,172155-03290,, "LABEL, STRIPE (R2)",1,,,,,,,,,,,,,,,,,
30,2,,172155-03300,, "LABEL, STRIPE (R3)",1,,,,,,,,,,,,,,,,

Fig. 3 銘板(輸出 英語)
LABEL (EXPORT ENGLISH)

SPEC. CODE
D72155-03160

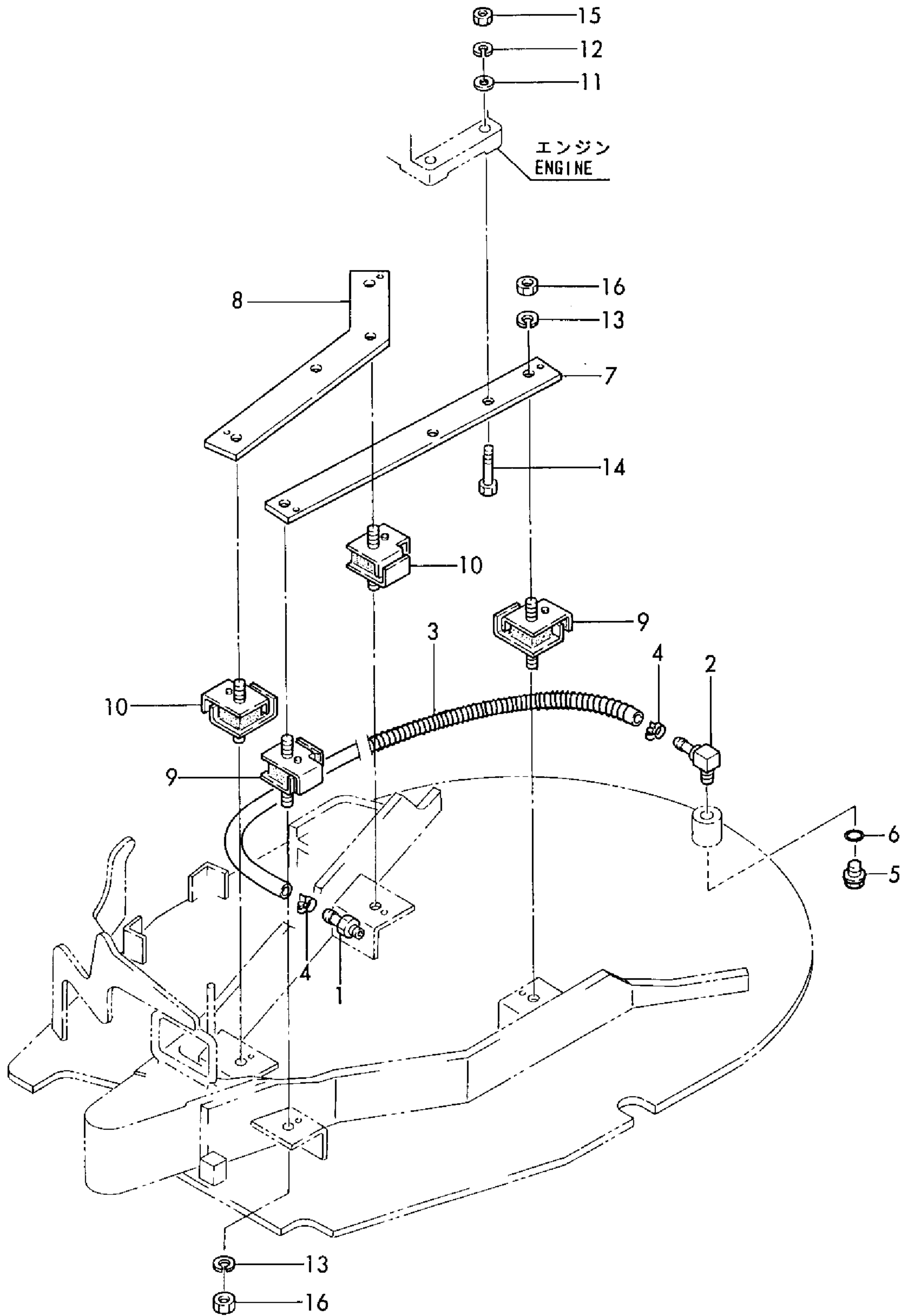
COUNTRY	J	P	E	P	E	X
APPLI- CATION	1	2	3			



1,1,,172155-11110,,CONNECTOR,1,1,1,,,,,,,,,,,,,
2,1,,172155-11120,,ELBOW,1,1,1,,,,,,,,,,,,,
3,1,,172155-11130,,HOSE,1,1,1,,,,,,,,,,,,,
4,1,,23000-016000,, "CLAMP 16",2,2,2,,,,,,,,,,,,,
5,1,,23491-140002,, "PLUG 14",1,1,1,,,,,,,,,,,,,
6,1,,24311-000160,, "O-RING 1A P-16.0",1,1,1,,,,,,,,,,,,,
7,1,,172155-13100,, "PLATE (L)",1,1,1,,,,,,,,,,,,,
8,1,,172155-13110,, "PLATE (R)",1,1,1,,,,,,,,,,,,,
9,1,,172155-13121,, "RUBBER A,VIBRAT'NPRF",2,2,2,,,,,,,,,,,,,
10,1,,172155-13131,, "RUBBER B,BUFFER",2,2,2,,,,,,,,,,,,,
11,1,,22137-080000,, "WASHER 8, POLISHED",4,4,4,,,,,,,,,,,,,
12,1,,22217-080000,, "SPRING WASHER 8",4,4,4,,,,,,,,,,,,,
13,1,,22217-100000,, "SPRING WASHER 10",8,8,8,,,,,,,,,,,,,
14,1,,26116-080402,, "BOLT M 8X 40 PLATED",4,4,4,,,,,,,,,,,,,
15,1,,26716-080002,, "NUT M 8",4,4,4,,,,,,,,,,,,,
16,1,,26716-100002,, "NUT M10",8,8,8,,,,,,,,,,,,,

Fig. 4 エンジンマウント & エンジン付属
ENGINE MOUNT & ENGINE ACCESSORY

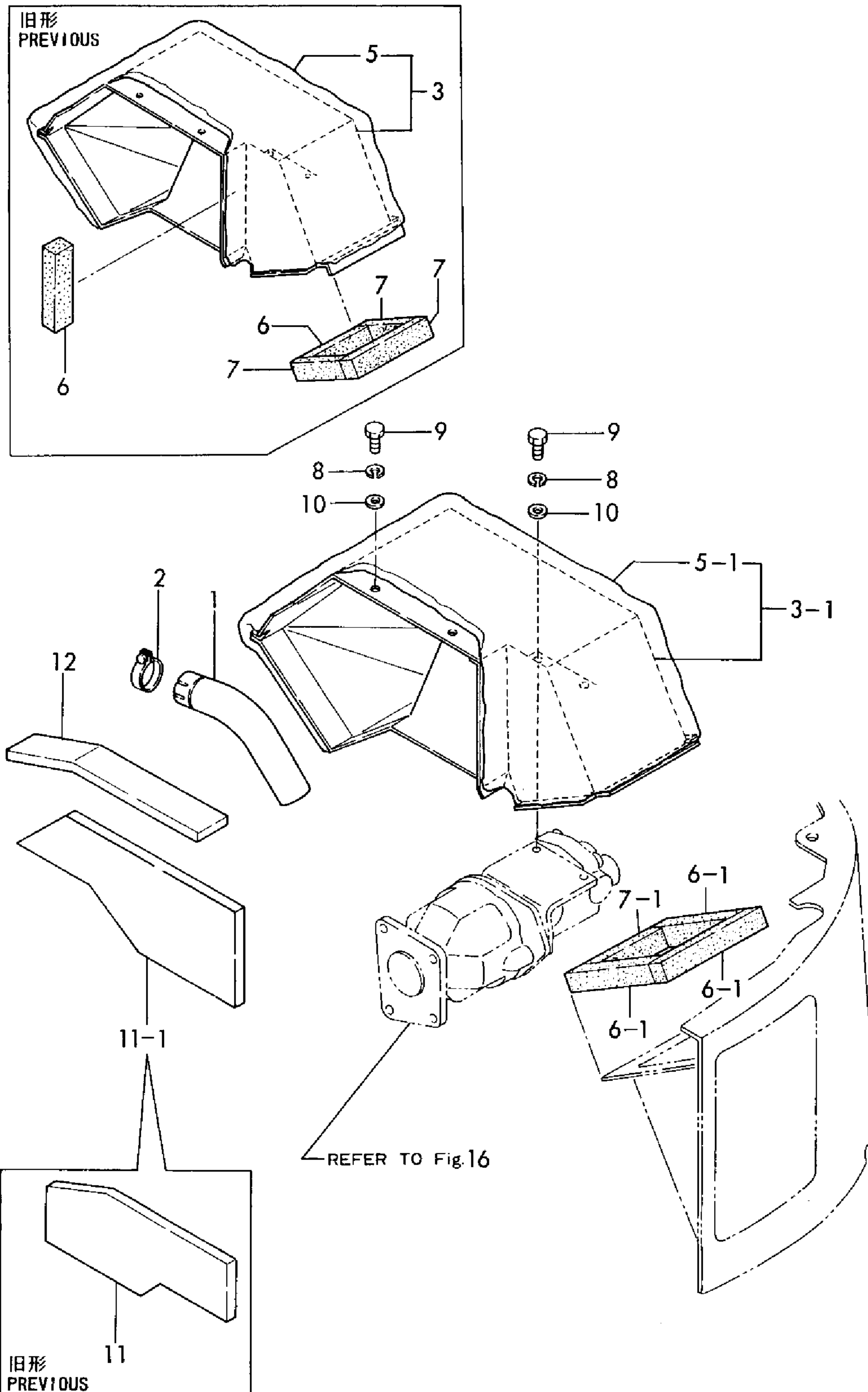
SPEC. CODE
D72155-11100
D72155-13100



1,1,,172155-11400,,PIPE,1,1,1,,,,,,,,,,,,,
2,1,,160220-13580,,CLAMP,1,1,1,,,,,,,,,,,,,
3,1,,172155-65780,, "DUCT, INSULATOR",1,1,1,,,,,,,,,,,,,
3-1,1,,172155-65781,, "DUCT, HEAT
INSULATOR",1,1,1,,,,,F,1,,M00521,,M00521,,M00521,,,,,
5,2,,172155-65760,, "HEAT INSULATOR",1,1,1,,,,,,,,,,,,,
5-1,2,,172155-65761,, "HEAT INSULATOR",1,1,1,,,,,S,,,,M00521,,M00521,,M00521,,,,,
6,1,,172155-65660,, "CUSHION A",2,2,2,,,,,,,,,,,,,
6-1,1,,172155-61350,, "CUSHION A",3,3,3,,,,,S,,,,M00521,,M00521,,M00521,,,,,
7,1,,172155-65670,, "CUSHION B",3,3,3,,,,,,,,,,,,,
7-1,1,,172155-61360,, "CUSHION B",1,1,1,,,,,S,,,,M00521,,M00521,,M00521,,,,,
8,1,,22217-060000,, "SPRING WASHER 6",4,4,4,,,,,,,,,,,,,
9,1,,26116-060162,, "BOLT M 6X 16 PLATED",4,4,4,,,,,,,,,,,,,
10,1,,22137-060000,, "WASHER 6, POLISHED",4,4,4,,,,,,,,,,,,,
11,1,,172155-65730,, "INSULATOR G",1,1,1,,,,,,,,,,,,,
11-1,1,,172155-65731,, INSULATOR,1,1,1,,,,,N,,,,M00513,,M00513,,M00513,,,,,
12,1,,172155-65740,, "INSULATOR H",1,1,1,,,,,,,,,,,,,

Fig. 5 マフラ & ダクト
MUFFLER & DUCT

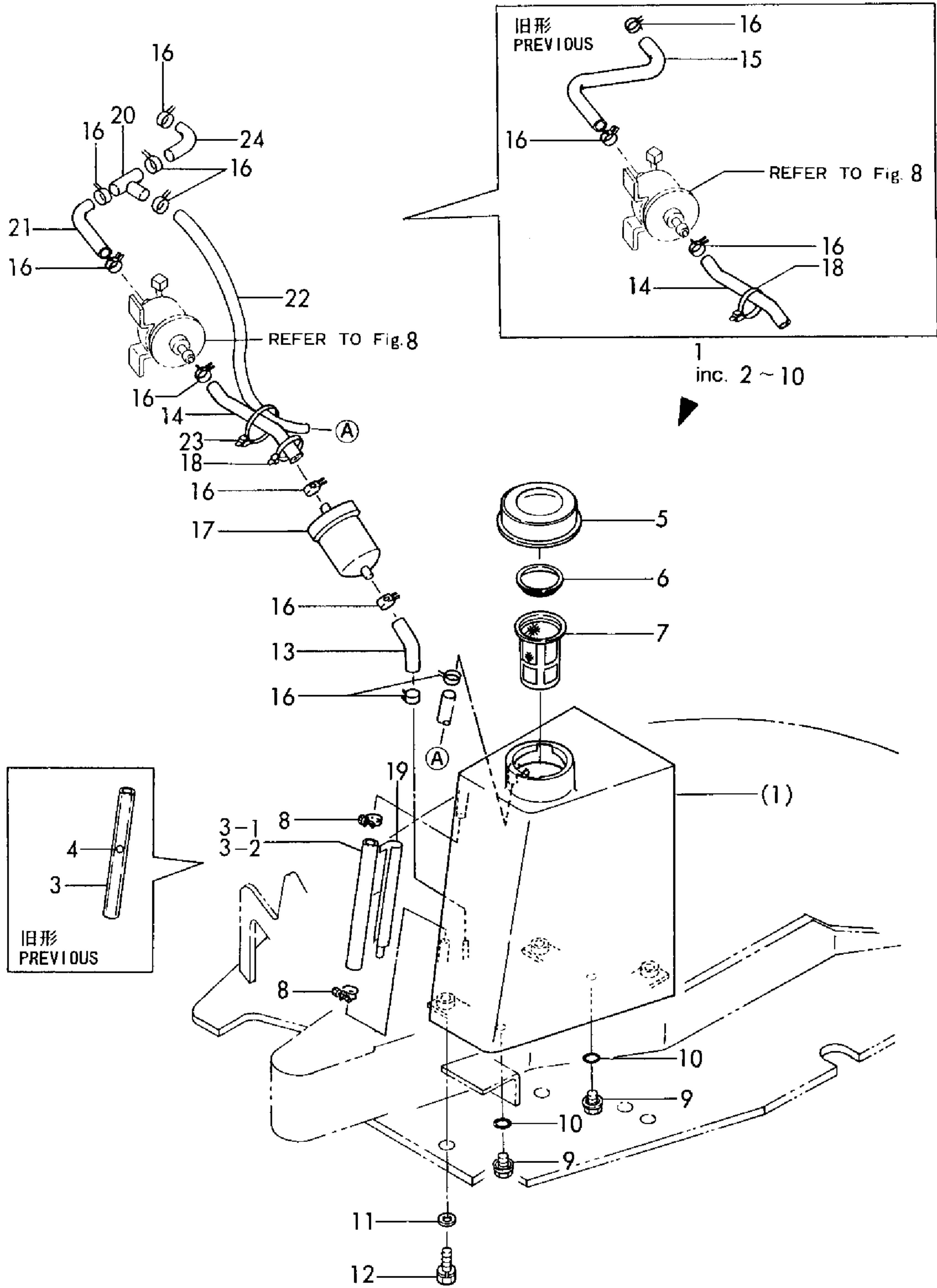
SPEC. CODE
D72155-11300
D72155-65600



1,1,,772155-14100,, "TANK ASSY, FUEL",1,1,1,,,,,,,,,,,,,
1-1,1,,772155-14101,, "TANK ASSY, FUEL",1,1,1,,,,,S,,,M00532,,M00532,,M00532,,,,,
3,2,,172155-14160,, "GAUGE, FUEL",1,1,1,,,,,,,,,,,,,
3-1,2,,172137-14281,, "GAUGE, FUEL OIL",1,1,1,,,,,N,,,M01478,,M01478,,M01478,,,,,
3-2,2,,172137-14282,, "HOSE, FUEL GAUGE",1,1,1,,,,,N,,,M01478,,M01478,,M01478,,,,,
4,2,,172141-14260,, FLOAT,1,1,1,,,,,Z,,,M01478,,M01478,,M01478,,,,,
5-1,1,,160710-55041,, "CAP, FUEL TANK",1,1,1,,,,,1,,,,,,,,,,,,,
6,2,,160393-55050,, "GASKET, TANK CAP",1,1,1,,,,,,,,,,,,,
7,2,,160610-55100,, STRAINER,1,1,1,,,,,,,,,,,,,
8,2,,23010-014000,, "CLAMP 14",2,2,2,,,,,,,,,,,,,
9,2,,23491-140002,, "PLUG 14",2,2,2,,,,,,,,,,,,,
10,2,,24311-000160,, "O-RING 1A P-16.0",2,2,2,,,,,,,,,,,,,
11,1,,22137-100000,, "WASHER 10,POLISHED",3,3,3,,,,,,,,,,,,,
12,1,,26013-100252,, "BOLT W/WASHER M10X25",3,3,3,,,,,,,,,,,,,
13,1,,172155-14610,, "HOSE, FUEL 60",1,1,1,,,,,,,,,,,,,
14,1,,172155-14620,, "HOSE, FUEL 170",1,1,1,,,,,,,,,,,,,
15,1,,172155-14630,, "HOSE, FUEL 220",1,1,1,,,,,Z,,,M00532,,M00532,,M00532,,,,,
16,1,,106990-44660,, "BAND, HOSE",6,6,6,,,,,,,,,,,,,
16-1,1,,106990-44660,, "BAND, HOSE",10,10,10,,,,,K,,,M00532,,M00532,,M00532,,,,,
17,1,,124190-55500,, "FUEL FILTER",1,1,1,,,,,,,,,,,,,
18,1,,172122-79940,, CLAMP,1,1,1,,,,,,,,,,,,,
18-1,1,,172122-79920,, CLAMP,1,1,1,,,,,R,,,M00503,,M00503,,M00503,,,,,
19,1,,172137-14291,, PLATE,1,1,1,,,,,W,,,M01478,,M01478,,M01478,,,,,
20,1,,172155-14650,, "JOINT, BYPASS",1,1,1,,,,,W,,,M00532,,M00532,,M00532,,,,,
21,1,,172155-14700,, "HOSE, FUEL 120",1,1,1,,,,,W,,,M00532,,M00532,,M00532,,,,,
21-1,1,,172155-14701,, "HOSE L=95, FUEL",1,1,1,,,,,F,2,,M00587,,M00587,,M00587,,,,,
22,1,,172155-14720,, "HOSE, FUEL",1,1,1,,,,,W,,,M00532,,M00532,,M00532,,,,,
23,1,,172122-79920,, CLAMP,1,1,1,,,,,W,,,M00532,,M00532,,M00532,,,,,
23-1,1,,172122-79940,, CLAMP,1,1,1,,,,,R,,,M00544,,M00544,,M00544,,,,,
24,1,,172155-14710,, "HOSE, FUEL 100",1,1,1,,,,,W,,,M00532,,M00532,,M00532,,,,,
24-1,1,,172155-14701,, "HOSE L=95, FUEL",1,1,1,,,,,F,2,,M00587,,M00587,,M00587,,,,,

Fig. 6 燃料タンク & 燃料パイプ
FUEL TANK & FUEL LINE

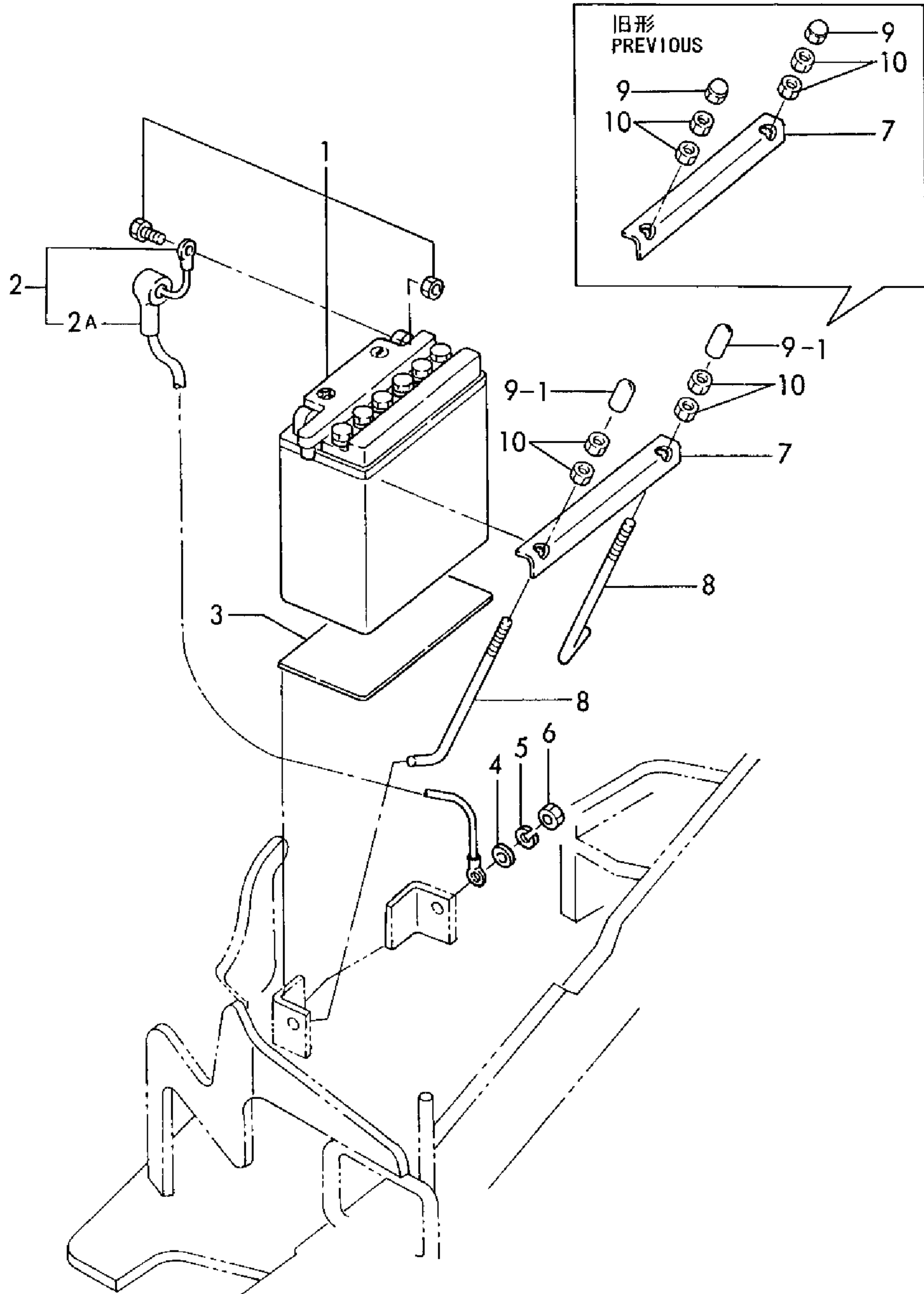
SPEC. CODE
D72155-14100
D72155-14600



1,1,,172155-16100,, "BATTERY 12N5-3B",1,1,1,,,,,,,,,,,,,
2,1,,172155-16110,, "CORD,BATTERY GND.",1,1,1,,,,,,,,,,,,,
2A,2,,172155-16520,, "CAP, BATTERY",1,1,1,,,,,W,,,,M00922,,M00992,,M00922,,,,,
3,1,,172155-16120,, "PLATE, RUBBER",1,1,1,,,,,,,,,,,,,
4,1,,22137-050000,, "WASHER 5, POLISHED",1,1,1,,,,,,,,,,,,,
5,1,,22217-050000,, "SPRING WASHER 5",1,1,1,,,,,,,,,,,,,
6,1,,26716-050002,, "NUT M 5",1,1,1,,,,,,,,,,,,,
7,1,,172155-16300,, "CLAMP, BATTERY",1,1,1,,,,,,,,,,,,,
8,1,,172155-16310,, "ROD, CLAMP",2,2,2,,,,,,,,,,,,,
9,1,,26657-060002,, "CAP NUT M 6",2,2,2,,,,,,,,,,,,,
9-1,1,,129150-59580,, "CAP,2,2,2,,,,,N,,,,M00884,,M00884,,M00884,,,,,
10,1,,26716-060002,, "NUT M 6",4,4,4,,,,,,,,,,,,,

Fig. 7 バッテリー
BATTERY

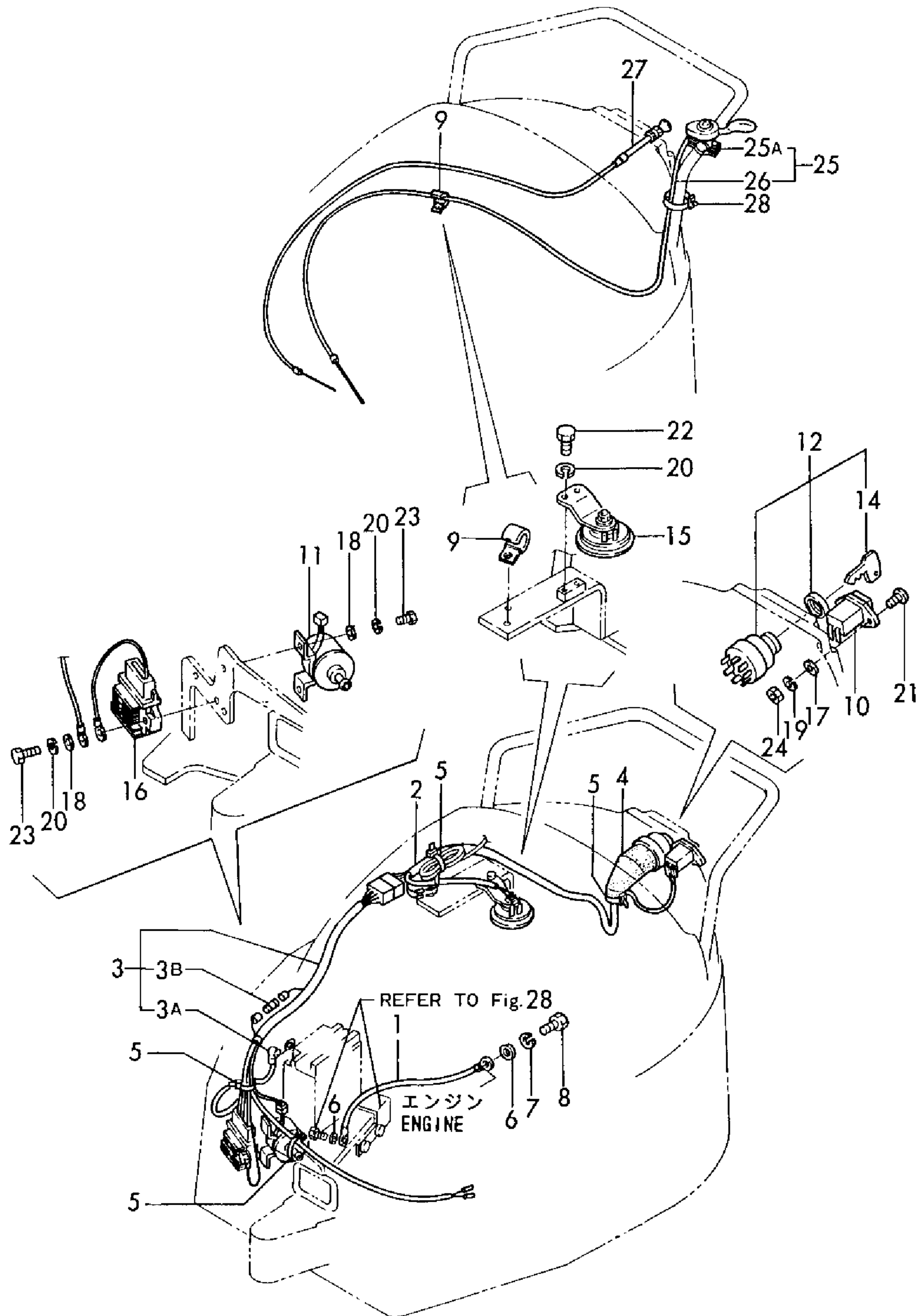
SPEC. CODE
D72155-16100
D72155-16300



1,1,,172156-16100,, "CABLE, EARTH",1,1,1,,,,,,,,,,,,,
2,1,,172155-16500,, "HARNESS A",1,1,1,,,,,,,,,,,,,
2-1,1,,172155-16501,, "HARNESS A",1,1,1,,,,,N,,,M01478,,M01478,,M01478,,,,,
3,1,,172155-16510,, "HARNESS (B), WIRE",1,1,1,,,,,,,,,,,,,
3A,2,,172155-16530,, "CAP, BATTERY",1,1,1,,,,,W,,,M00888,,M00888,,M00888,,,,,
3B,2,,29411-050000,, "FUSE (
5A),CARTRIDGE",2,2,2,,,,,W,,,M00888,,M00888,,M00888,,,,,
4,1,,933113-15900,, "COVER, SWITCH TERMI.",1,1,1,,,,,,,,,,,,,
5,1,,172122-79920,, "CLAMP,4,4,4,,,,,,,,,,,,,
5-1,1,,172122-79940,, "CLAMP,4,4,4,,,,,R,,,M00501,,M00501,,M00501,,,,,
6,1,,22137-080000,, "WASHER 8, POLISHED",2,2,2,,,,,,,,,,,,,
7,1,,22217-080000,, "SPRING WASHER 8",1,1,1,,,,,,,,,,,,,
8,1,,26116-080122,, "BOLT M 8X 12 PLATED",1,1,1,,,,,,,,,,,,,
9,1,,194440-51620,, "CLAMP, WIRE HARNESS",1,1,1,,,,,,,,,,,,,
10,1,,172156-17140,, "METER, HOUR",1,1,1,,,,,,,,,,,,,
11,1,,124190-52111,, "PUMP, FUEL FEED",1,1,1,,,,,,,,,,,,,
12,1,,194180-52110,, "SWITCH, STARTING",1,1,1,,,,,,,,,,,,,
14,2,,194155-52160,, "KEY,1,1,1,,,,,,,,,,,,,
15,1,,194151-57100,, "HORN,1,1,1,,,,,,,,,,,,,
16,1,,114253-77520,, "REGULATOR,1,1,1,,,,,,,,,,,,,
17,1,,22137-030000,, "WASHER 3",2,2,2,,,,,,,,,,,,,
18,1,,22137-060000,, "WASHER 6, POLISHED",4,4,4,,,,,,,,,,,,,
19,1,,22217-030000,, "SPRING WASHER 3",2,2,2,,,,,,,,,,,,,
20,1,,22217-060000,, "SPRING WASHER 6",6,6,6,,,,,,,,,,,,,
21,1,,26023-030162,, "SCREW M 3X 16",2,2,2,,,,,,,,,,,,,
22,1,,26116-060162,, "BOLT M 6X 16 PLATED",2,2,2,,,,,,,,,,,,,
23,1,,26116-060202,, "BOLT M 6X 20",4,4,4,,,,,,,,,,,,,
24,1,,26716-030002,, "NUT M3",2,2,2,,,,,,,,,,,,,
25,1,,172155-12130,, "LEVER ASSY,
THROTTLE",1,1,1,,,,,W,,,M01173,,M01173,,M01173,,,,,
25A,2,,172155-12100,, "LEVER, THROTTLE",1,1,1,,,,,,,,,,,,,
26,2,,172155-12110,, "WIRE, ACCELERATOR",1,1,1,,,,,,,,,,,,,
27,1,,172155-12120,, "WIRE, CHOKE",1,1,1,,,,,,,,,,,,,
28,1,,933168-55770,, "BAND 146",1,1,1,,,,,W,,,M00587,,M00587,,M00587,,,,,

Fig. 8 アクセル & 電装品
ACCELERATOR & ELECTRIC PART

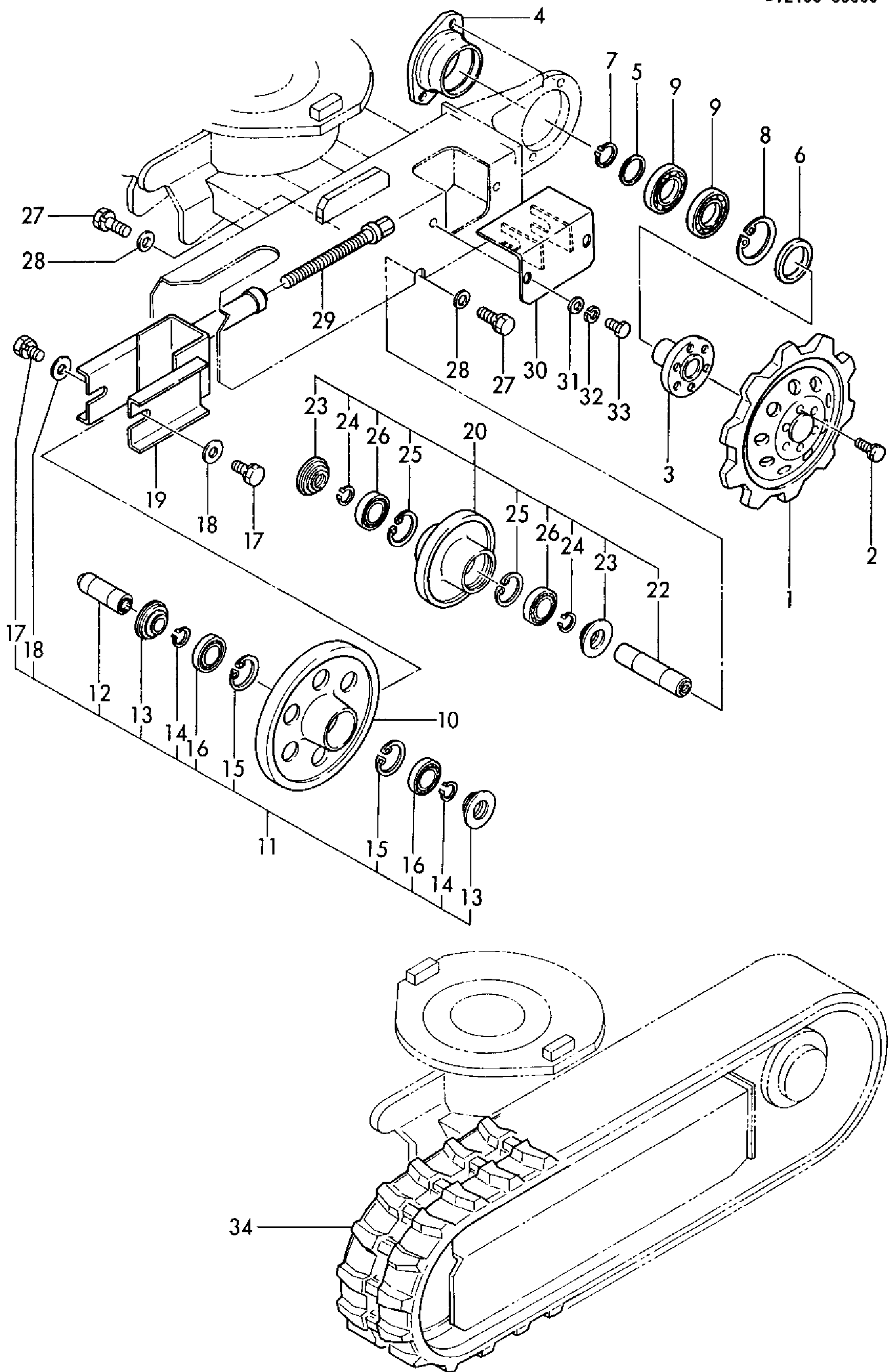
SPEC. CODE
D72155-12100
D72155-16500
D72155-17100



1,1,,172155-29100,, "SPROCKET 10",2,2,2,,,,,,,,,,,,,
2,1,,26013-100252,, "BOLT W/WASHER M10X25",12,12,12,,,,,,,,,,,,,
3,1,,172155-29400,, "SHAFT, SPROCKET",2,2,2,,,,,,,,,,,,,
4,1,,172155-29450,, "CASE, BERING",2,2,2,,,,,,,,,,,,,
5,1,,172110-34030,, "COLLAR",2,2,2,,,,,,,,,,,,,
6,1,,172110-34040,, "SEAL, DUST",2,2,2,,,,,,,,,,,,,
7,1,,22242-000350,, "CIRCLIP 35",2,2,2,,,,,,,,,,,,,
8,1,,22252-000620,, "CIRCLIP 62(H)",2,2,2,,,,,,,,,,,,,
9,1,,24102-060074,, "BALL BEARING",4,4,4,,,,,,,,,,,,,
10,1,,172155-37100,, "IDLER",2,2,2,,,,,,,,,,,,,
11,1,,772155-37100,, "IDLER ASSY",2,2,2,,,,,,,,,,,,,
11-1,1,,172156-99490,, "IDLER KIT, FRONT",2,2,2,,,,N,,, "FROM 1ST",, "FROM
1ST",, "FROM 1ST",,,, ,
12,2,,172155-37110,, "SHAFT, IDLER",2,2,2,,,,,,,,,,,,,
13,2,,172137-37360,, "SEAL",4,4,4,,,,,,,,,,,,,
14,2,,22242-000250,, "CIRCLIP 25S",4,4,4,,,,,,,,,,,,,
15,2,,22252-000470,, "CIRCLIP 47",4,4,4,,,,,,,,,,,,,
16,2,,24101-060054,, "BALL BEARING",4,4,4,,,,,,,,,,,,,
17,2,,26013-120252,, "BOLT M12X 25",4,4,4,,,,,,,,,,,,,
18,2,,933152-03700,, "WASHER, SIDE CLUTCH",4,4,4,,,,,,,,,,,,,
19,1,,172155-37150,, "SLIEDER ASSY",2,2,2,,,,,,,,,,,,,
20,1,,772156-37300,, "ROLLER ASSY, TRACK",2,2,2,,,,,,,,,,,,,
22,2,,172155-37310,, "SHAFT, ROLLER",2,2,2,,,,,,,,,,,,,
23,2,,172137-37360,, "SEAL",4,4,4,,,,,,,,,,,,,
24,2,,22242-000250,, "CIRCLIP 25S",4,4,4,,,,,,,,,,,,,
25,2,,22252-000470,, "CIRCLIP 47",4,4,4,,,,,,,,,,,,,
26,2,,24101-060054,, "BALL BEARING",4,4,4,,,,,,,,,,,,,
27,1,,26013-120252,, "BOLT M12X 25",4,4,4,,,,,,,,,,,,,
28,1,,933152-03700,, "WASHER, SIDE CLUTCH",4,4,4,,,,,,,,,,,,,
29,1,,172155-37700,, "BOLT ASSY,AJUST",2,2,2,,,,,,,,,,,,,
30,1,,172155-37750,, "COVER, ADJUST",2,2,2,,,,,,,,,,,,,
31,1,,22137-080000,, "WASHER 8, POLISHED",4,4,4,,,,,,,,,,,,,
32,1,,22217-080000,, "SPRING WASHER 8",4,4,4,,,,,,,,,,,,,
33,1,,26116-080202,, "BOLT M 8X 20 PLATED",4,4,4,,,,,,,,,,,,,
34,1,,172155-38600,, "CRAWLER, RUBBER",2,2,2,,,,,,,,,,,,,

Fig. 9 アイドラ,トラックローラ & クローラ
 IDLER, TRACKROLLER & CRAWLER

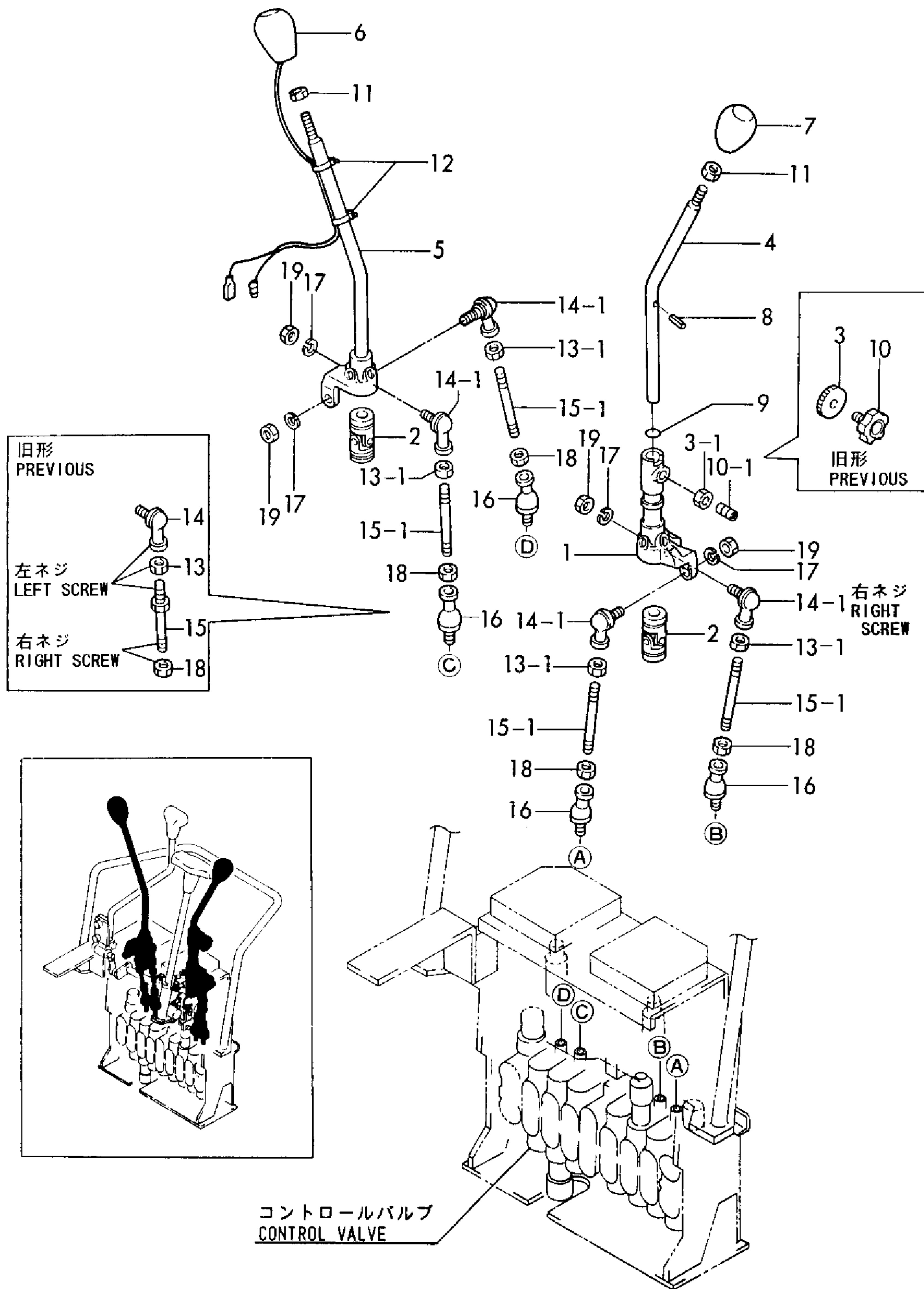
SPEC. CODE
 D72155-29100
 D72155-29400
 D72155-37100
 D72155-37300
 D72155-37700
 D72155-38600



1,1,,172141-41150,, "LINK(L), LEVER",1,1,1,,,,,,,,,,,,,
2,1,,172141-41160,, JOINT,2,2,2,,,,,,,,,,,,,
3,1,,172141-41380,, NUT,1,1,1,,,,,,,,,,,,,
3-1,1,,26756-080002,, "LOCK NUT M 8
PLATED",1,1,1,,,,,S,,,M01478,,M01478,,M01478,,,,,
4,1,,172155-45100,, LEVER(L),1,1,1,,,,,,,,,,,,,
4-1,1,,172155-45101,, "LEVER L",1,1,1,,,,,F,1,,M00521,,M00521,,M00521,,,,,
5,1,,172155-45110,, LEVER(R),1,1,1,,,,,,,,,,,,,
5-1,1,,172155-45111,, "LEVER R",1,1,1,,,,,F,1,,M00521,,M00521,,M00521,,,,,
6,1,,172312-46301,, KNOB(A),1,1,1,,,,,,,,,,,,,
7,1,,172312-46321,, KNOB(B),1,1,1,,,,,,,,,,,,,
8,1,,22351-030010,, "SPRING PIN 3X10",1,1,1,,,,,,,,,,,,,
9,1,,24311-000140,, "O-RING 1A P-14.0",1,1,1,,,,,,,,,,,,,
10,1,,26063-080201,, "BOLT M 8X 20",1,1,1,,,,,,,,,,,,,
10-1,1,,26979-080162,, "SCREW M 8X16",1,1,1,,,,,S,,,M01478,,M01478,,M01478,,,,,
11,1,,26757-100002,, "LOCK NUT 10",2,2,2,,,,,,,,,,,,,
12,1,,933168-55770,, "BAND 146",3,3,3,,,,,,,,,,,,,
13,1,,194200-37780,, "LS-NUT 8",4,4,4,,,,,,,,,,,,,
13-1,1,,26716-080002,, "NUT M 8",4,4,4,,,,,S,,,M00595,,M00595,,M00595,,,,,
14,1,,172734-41300,, "BALL, LINK 8L",4,4,4,,,,,,,,,,,,,
14-1,1,,172122-46590,, "ELBALL 8",4,4,4,,,,,S,,,M00595,,M00595,,M00595,,,,,
15,1,,172131-46200,, "ROD (8X105",4,4,4,,,,,,,,,,,,,
15-1,1,,172156-45820,, "ROD M8X105",4,4,4,,,,,S,,,M00595,,M00595,,M00595,,,,,
16,1,,172122-47250,, "BALL 8, LINK",4,4,4,,,,,,,,,,,,,
17,1,,22217-080000,, "SPRING WASHER 8",4,4,4,,,,,,,,,,,,,
18,1,,26716-080002,, "NUT M 8",4,4,4,,,,,,,,,,,,,
19,1,,26716-080002,, "NUT M 8",4,4,4,,,,,,,,,,,,,

Fig. 10 操縦装置(作業)
CONTROL EQUIP. (OPERATION)

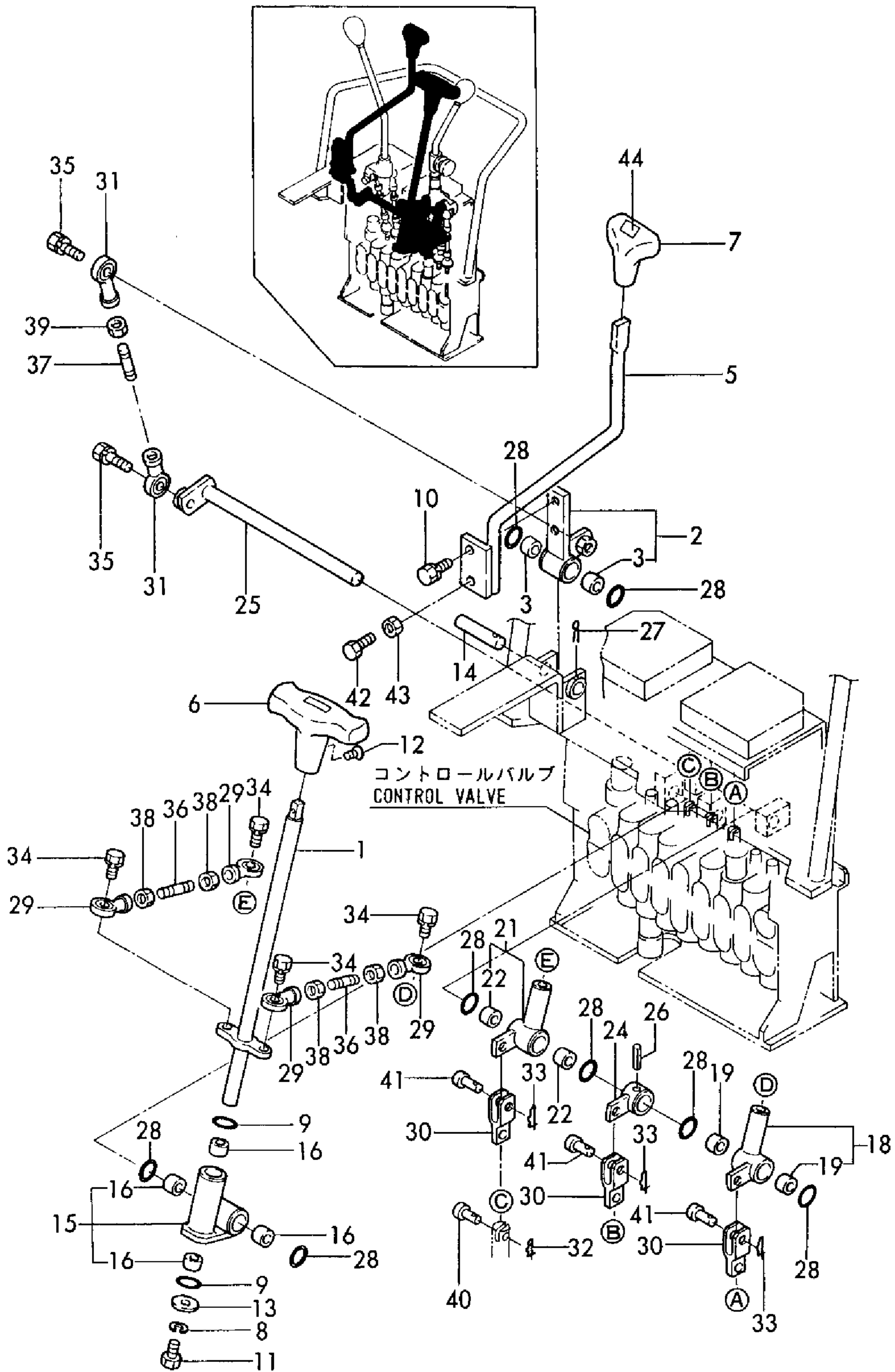
SPEC. CODE
D72155-45100
D72155-45600



1,1,,172155-45130,, "LEVER, TRACK",1,1,1,,,,,,,,,,,,,,,,,,,,,
2,1,,172155-45150,, "LEVER W/BUSH, BLADE",1,1,1,,,,,,,,,,,,,,,,,,,,,
3,2,,172141-41360,, "BUSH 1415",2,2,2,,,,,,,,,,,,,,,,,,,,,
5,1,,172155-45190,, "LEVER W/BUSH, BLADE",1,1,1,,,,,,,,,,,,,,,,,,,,,
6,1,,172156-45200,, "KNOB, TRACK",1,1,1,,,,,,,,,,,,,,,,,,,,,
7,1,,1E8060-64750,, "GRIP 13,CHANGE LEVER",1,1,1,,,,,,,,,,,,,,,,,,,,,
8,1,,22217-080000,, "SPRING WASHER 8",1,1,1,,,,,,,,,,,,,,,,,,,,,
9,1,,24311-000210,, "O-RING 1A P-21.0",2,2,2,,,,,,,,,,,,,,,,,,,,,
10,1,,26013-100202,, "BOLT W/WASHER M10X20",1,1,1,,,,,,,,,,,,,,,,,,,,,
11,1,,26116-080202,, "BOLT M 8X 20 PLATED",1,1,1,,,,,,,,,,,,,,,,,,,,,
12,1,,26577-060142,, "SCREW M 6X 14",1,1,1,,,,,,,,,,,,,,,,,,,,,
13,1,,1A1040-43900,, "SPRING WASHER",1,1,1,,,,,,,,,,,,,,,,,,,,,
14,1,,172155-45260,, "PIN, BLADE",1,1,1,,,,,,,,,,,,,,,,,,,,,
15,1,,172155-45270,, "LINK W/BUSH, TRACK",1,1,1,,,,,,,,,,,,,,,,,,,,,
16,2,,172141-41360,, "BUSH 1415",4,4,4,,,,,,,,,,,,,,,,,,,,,
18,1,,172155-45320,, "LINK W/BUSH, TRACK L",1,1,1,,,,,,,,,,,,,,,,,,,,,
19,2,,172141-41360,, "BUSH 1415",2,2,2,,,,,,,,,,,,,,,,,,,,,
21,1,,172155-45360,, "LINK W/BUSH, TRACK R",1,1,1,,,,,,,,,,,,,,,,,,,,,
22,2,,172141-41360,, "BUSH 1415",2,2,2,,,,,,,,,,,,,,,,,,,,,
24,1,,172155-45380,, "LINK W/BUSH, BLADE",1,1,1,,,,,,,,,,,,,,,,,,,,,
25,1,,172155-45400,, "PIN 14X240",1,1,1,,,,,,,,,,,,,,,,,,,,,
26,1,,22351-040025,, "PIN 4X25,SPRING",1,1,1,,,,,,,,,,,,,,,,,,,,,
27,1,,22417-400320,, "COTTER PIN 4.0X32",1,1,1,,,,,,,,,,,,,,,,,,,,,
28,1,,24311-000210,, "O-RING 1A P-21.0",8,8,8,,,,,,,,,,,,,,,,,,,,,
29,1,,172156-45810,, "ROD, END(PH6)",4,4,4,,,,,,,,,,,,,,,,,,,,,
29-1,1,,172156-45811,, "ROD, END(PH6)",4,4,4,,,,,N,,,M01359,,M01359,,M01359,,,,,
30,1,,172131-45900,, "LINK A, SPOOL",3,3,3,,,,,,,,,,,,,,,,,,,,,
31,1,,172122-46570,, "ROD-END 8",2,2,2,,,,,,,,,,,,,,,,,,,,,
31-1,1,,172122-46571,, "ROD-END 8",2,2,2,,,,,N,,,M01359,,M01359,,M01359,,,,,
32,1,,1C6281-52310,, "PIN 6,COME-OFF SNAP",3,3,3,,,,,,,,,,,,,,,,,,,,,
33,1,,1C6281-52320,, "PIN 8,COME-OFF SNAP",3,3,3,,,,,,,,,,,,,,,,,,,,,
34,1,,26013-060202,, "BOLT M 6X 20",4,4,4,,,,,,,,,,,,,,,,,,,,,
35,1,,26013-080302,, "BOLT M 8X 30",2,2,2,,,,,,,,,,,,,,,,,,,,,
36,1,,26226-060252,, "STUD",2,2,2,,,,,,,,,,,,,,,,,,,,,
37,1,,26226-080402,, "STUD M 8X40",1,1,1,,,,,,,,,,,,,,,,,,,,,
38,1,,26716-060002,, "NUT M 6",4,4,4,,,,,,,,,,,,,,,,,,,,,
39,1,,26716-080002,, "NUT M 8",1,1,1,,,,,,,,,,,,,,,,,,,,,
40,1,,933110-54100,, "PIN 4.75X14",3,3,3,,,,,,,,,,,,,,,,,,,,,
41,1,,933171-21700,, "PIN (B), SPOOL LINK",3,3,3,,,,,,,,,,,,,,,,,,,,,
42,1,,26116-100354,, "BOLT M10X 35 PLATED",1,1,1,,,,,,,,,,,,,,,,,,,,,
43,1,,26716-100002,, "NUT M10",1,1,1,,,,,,,,,,,,,,,,,,,,,
44,1,,1E8060-97210,, "MARK ""Y"" ,LEVER
GRIP",1,1,1,,,,,W,,,M00501,,M00501,,M00501,,,,,

Fig. 11 操縦装置(走行, ブレード)
CONTROL EQUIP. (DRIVE, BLADE)

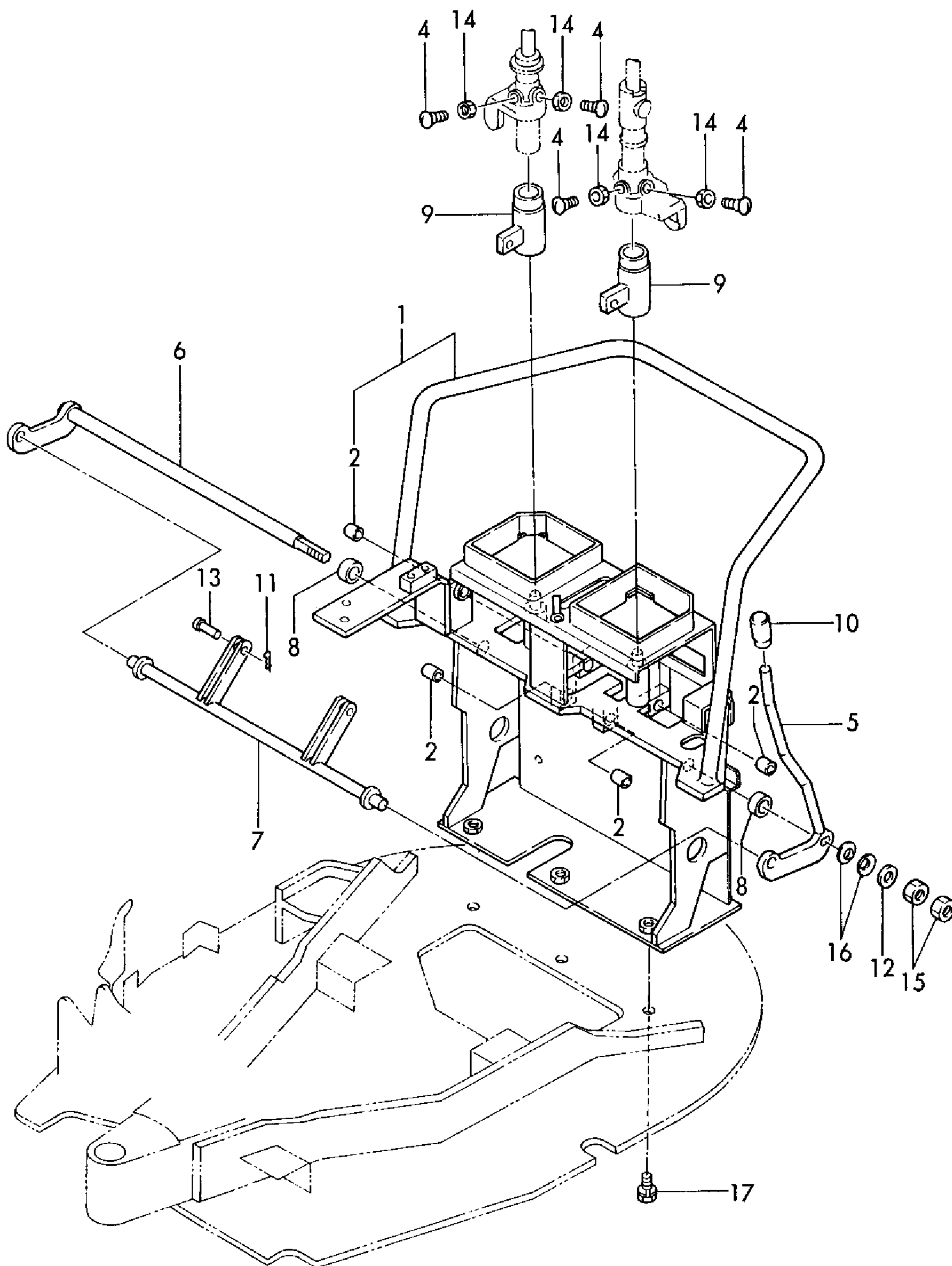
SPEC. CODE
D72155-45100
D72155-45200
D72155-45600



1,1,,772155-45690,, "STAND ASSY, VALVE",1,1,1,,,,,,,,,,,,,
2,2,,172141-41360,, "BUSH 1415",4,4,4,,,,,,,,,,,,,
4,1,,172141-42750,, "BOLT, STOPPER",8,8,8,,,,,,,,,,,,,
5,1,,172155-45700,, "LEVER, LOCK",1,1,1,,,,,,,,,,,,,
6,1,,172155-45730,, "PIN, LOCK",1,1,1,,,,,,,,,,,,,
7,1,,172155-45760,, "LINK, LOCK",1,1,1,,,,,,,,,,,,,
8,1,,172155-45790,, "SPACER",2,2,2,,,,,,,,,,,,,
9,1,,172131-45880,, "PIPE, LOCK",2,2,2,,,,,,,,,,,,,
10,1,,172116-46630,, "KNOB, LOCK LEVER",1,1,1,,,,,,,,,,,,,
11,1,,1C6281-52320,, "PIN 8, COME-OFF SNAP",2,2,2,,,,,,,,,,,,,
12,1,,22137-120000,, "WASHER 12, POLISHED",1,1,1,,,,,,,,,,,,,
13,1,,22487-080160,, "PIN 8X 16",2,2,2,,,,,,,,,,,,,
14,1,,26716-080002,, "NUT M 8",8,8,8,,,,,,,,,,,,,
15,1,,26756-120002,, "LOCK NUT M12 PLATED",2,2,2,,,,,,,,,,,,,
16,1,,933170-01490,, "SPRING 12",2,2,2,,,,,,,,,,,,,
17,1,,26013-100252,, "BOLT W/WASHER M10X25",5,5,5,,,,,,,,,,,,,

Fig. 12 操縦装置(ストップ & リンクダイ)
CONTROL EQUIP. (STOPPER & LINK STAND)

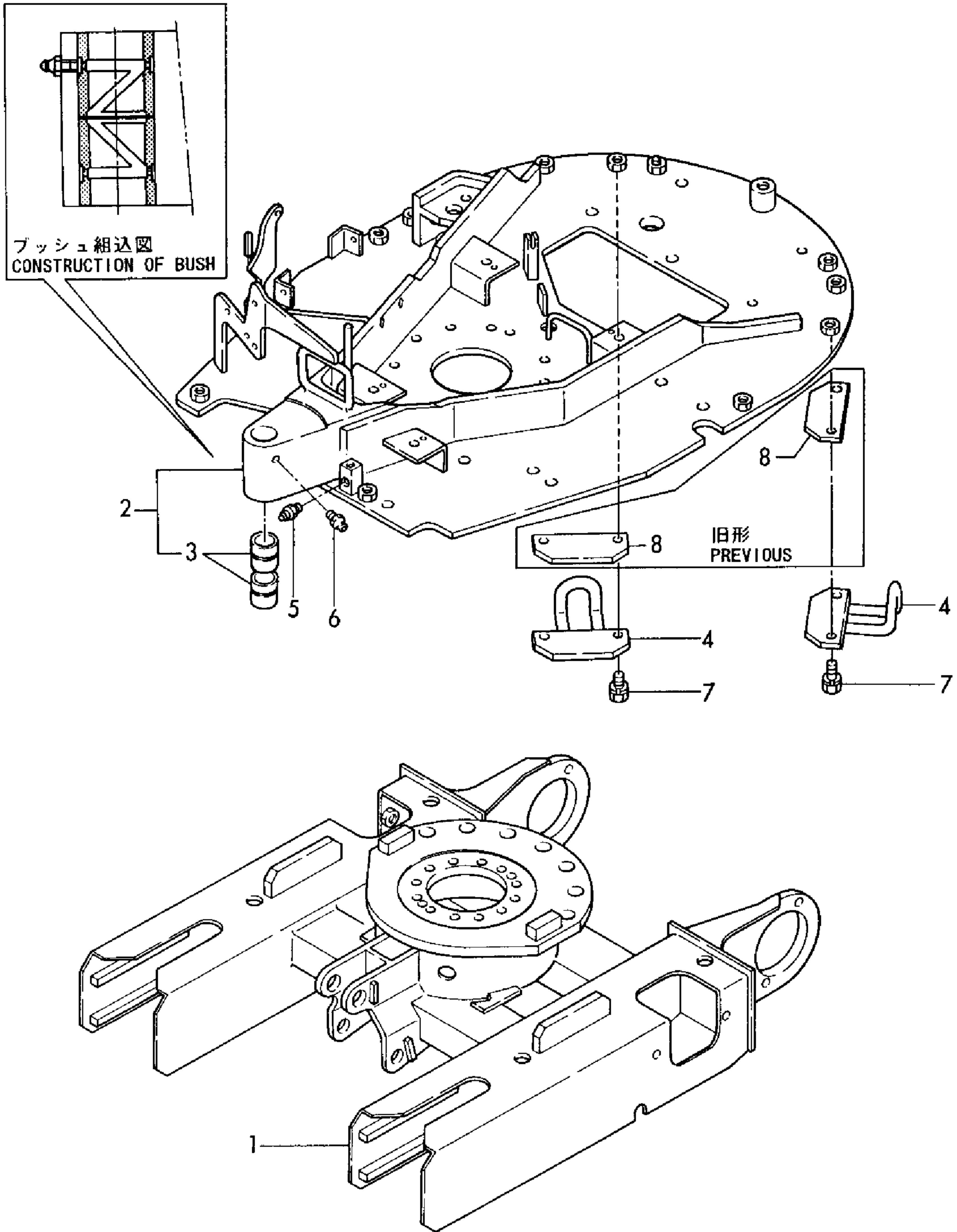
SPEC. CODE
D72155-45400
D72155-45500



1,1,,172155-50100,, "FRAME, LOWER",1,1,1,,,,,,,,,,,,,
2,1,,172155-54100,, "FRAME, TURNING",1,1,,,,,,,,,,,,,
2-1,1,,172155-54101,, "FRAME ASSY, TURNING",1,1,1,,,,,N,,,,M00595,,M00595,,,,,,
3,2,,172155-54220,, "BUSH 25-33",2,2,2,,,,,,,,,,,,,
4,1,,172155-54500,, HOOK,2,2,2,,,,,,,,,,,,,
5,1,,24761-020000,, "NIPPLE PT1/8,GREASE",1,1,1,,,,,,,,,,,,,
6,1,,24761-060000,, "NIPPLE MT6X1, GREASE",1,1,1,,,,,,,,,,,,,
7,1,,26013-100302,, "BOLT M10X 30",4,4,4,,,,,,,,,,,,,
7-1,1,,26013-100252,, "BOLT W/WASHER
M10X25",4,4,4,,,,,S,,,,M00505,,M00505,,M00505,,,,,
8,1,,172155-54510,, "PLATE 44X144X6",2,2,2,,,,,Z,,,,M00505,,M00505,,M00505,,,,,

Fig. 13 フレーム
FRAME

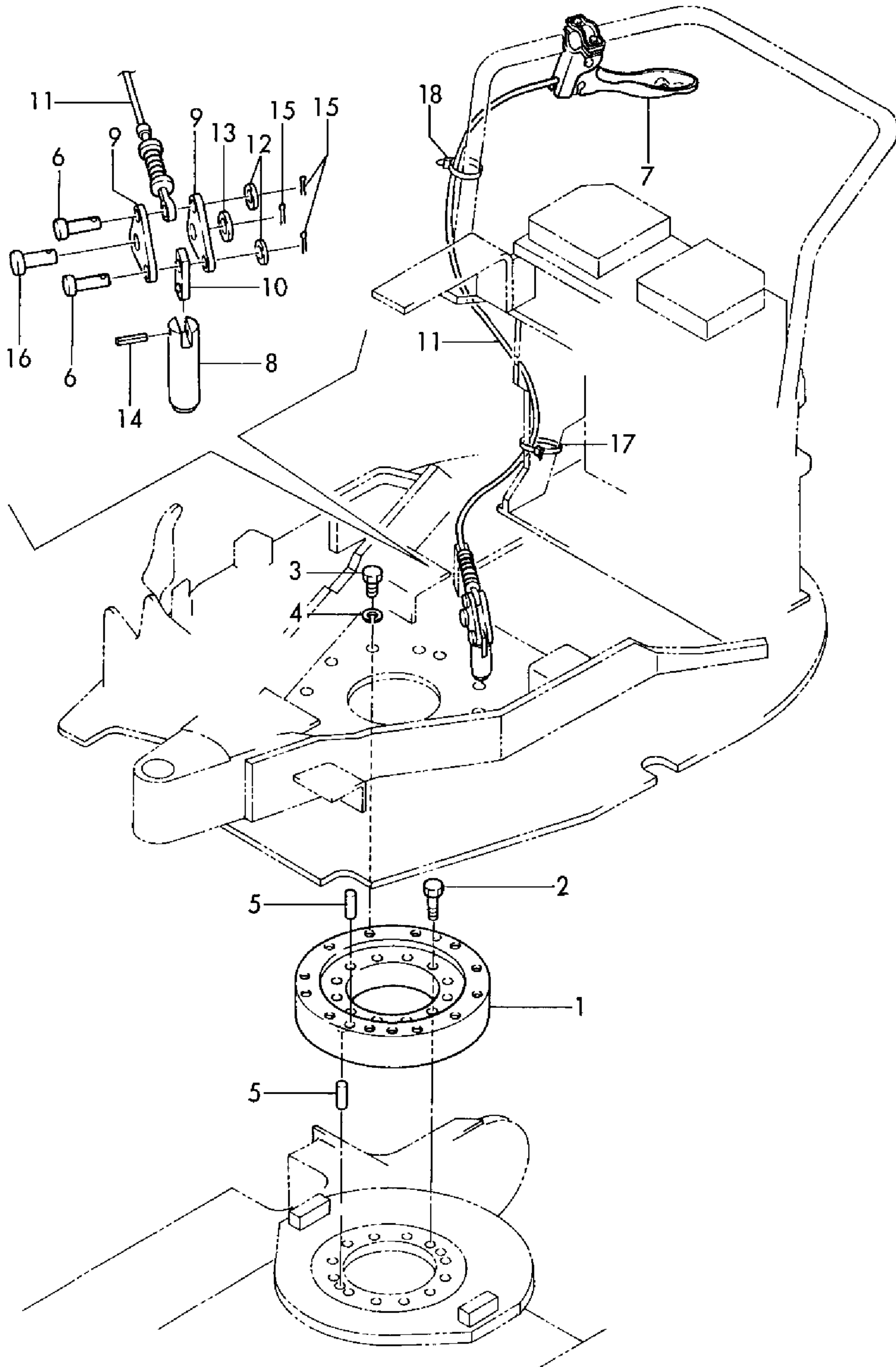
SPEC. CODE
D72155-50100
D72155-54100



1,1,,172155-57600,, "BEARING, TURNING",1,1,1,,,,,,,,,,,,,
2,1,,172155-57610,, "BOLT M10X45",12,12,12,,,,,,,,,,,,,
3,1,,172155-57620,, "BOLT M10X20",12,12,12,,,,,,,,,,,,,
4,1,,22217-100000,, "SPRING WASHER 10",12,12,12,,,,,,,,,,,,,
5,1,,22312-100160,, "PARALLEL PIN 10X16",4,4,4,,,,,,,,,,,,,
6,1,,194200-37810,, "PIN 8X20.5",2,2,2,,,,,,,,,,,,,
7,1,,172155-58800,, "LEVER, TURNING",1,1,1,,,,,,,,,,,,,
8,1,,172155-58810,, "PIN, TURNING",1,1,1,,,,,,,,,,,,,
9,1,,172155-58820,, "LINK, TURNING A",2,2,2,,,,,,,,,,,,,
10,1,,172155-58830,, "LINK, TURNING B",1,1,1,,,,,,,,,,,,,
11,1,,172155-58840,, "CABLE, TURNING",1,1,1,,,,,,,,,,,,,
11-1,1,,172155-58841,, "CABLE, TURNING",1,1,,,,,N,,,M00746,,M00746,,M00746,,,,,
11-2,1,,172155-58842,, "CABLE, TURNING",1,1,1,,,,,N,,,M00760,,M00760,,M00760,,,,,
12,1,,22137-080000,, "WASHER 8, POLISHED",2,2,2,,,,,,,,,,,,,
13,1,,22137-100000,, "WASHER 10,POLISHED",1,1,1,,,,,,,,,,,,,
14,1,,22351-040032,, "SPRING PIN 4X32",1,1,1,,,,,,,,,,,,,
15,1,,22417-200120,, "COTTER PIN 2.0X12",3,3,3,,,,,,,,,,,,,
16,1,,22487-100160,, "PIN 10X 16",1,1,1,,,,,,,,,,,,,
17,1,,172122-79930,, "CLAMP",1,1,1,,,,,,,,,,,,,
17-1,1,,172122-79940,, "CLAMP",1,1,1,,,,,R,,,M00544,,M00544,,M00544,,,,,
18,1,,933168-55770,, "BAND 146",1,1,1,,,,,W,,,M00503,,M00503,,M00503,,,,,

Fig. 14 旋回装置(ベアリング & ロック)
TURNING DRIVING EQUIPMENT(BEARING & LOCK)

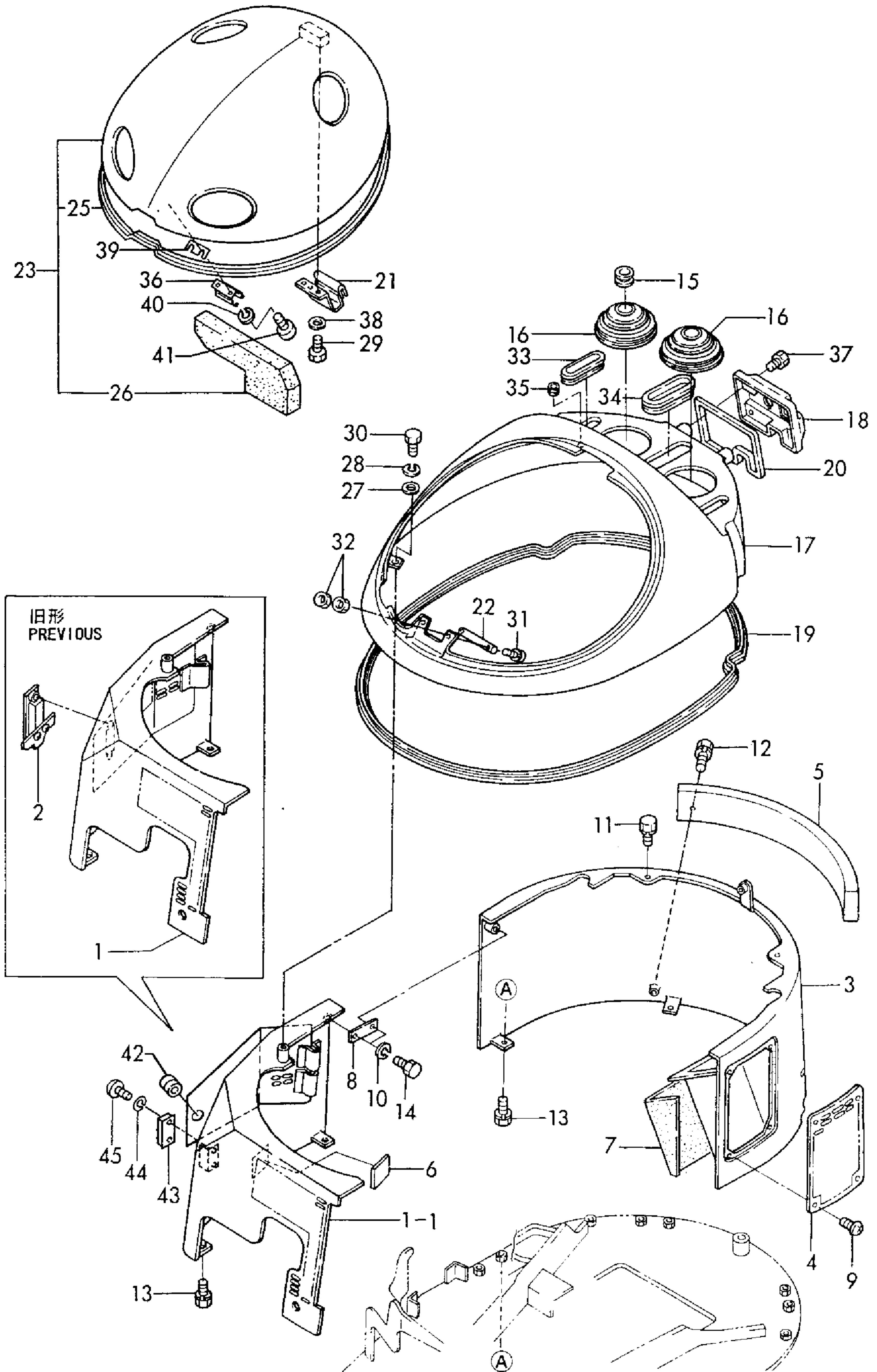
SPEC. CODE
D72155-57600
D72155-58800



1,1,,172155-61100,,COVER,1,1,1,,,,,,,,,,,,,
1-1,1,,172155-61101,,COVER,1,1,1,,,,,S,,,M01037,,M01037,,M01037,,,,,
2,1,,172155-61190,,HANDLE,1,1,1,,,,,Z,,,M01037,,M01037,,M01037,,,,,
3,1,,172155-61200,,,"COVER, REAR",1,1,1,,,,,,,,,,,,,
4,1,,172155-61270,,COVER,1,1,1,,,,,,,,,,,,,
5,1,,172155-61280,,,"CUSHION RUBBER",1,1,1,,,,,,,,,,,,,
6,1,,172155-61290,,,"PLATE,RUBBER",1,1,1,,,,,,,,,,,,,
7,1,,172155-61300,,,"INSULATOR A",1,1,1,,,,,,,,,,,,,
8,1,,172132-65800,,,,,1,1,1,,,,,M,,,,,,,,,
8-1,1,,172312-65800,,,"PLATE(C)",1,1,1,,,,,,,,,,,,,
9,1,,172137-69850,,,"SCREW",4,4,4,,,,,,,,,,,,,
10,1,,22217-080000,,,"SPRING WASHER 8",2,2,2,,,,,,,,,,,,,
11,1,,26013-080162,,,"BOLT W/WASHER M8X16",2,2,2,,,,,,,,,,,,,
12,1,,26013-080252,,,"BOLT M 8X 25",2,2,2,,,,,,,,,,,,,
13,1,,26013-100252,,,"BOLT W/WASHER M10X25",7,7,7,,,,,,,,,,,,,
14,1,,26116-080162,,,"BOLT M 8X 16 PLATED",2,2,2,,,,,,,,,,,,,
15,1,,172141-41310,,,"GROMMET",1,1,1,,,,,,,,,,,,,
16,1,,172730-62210,,,"RUBBER BOOT, LEVER",2,2,2,,,,,,,,,,,,,
17A,1,,172155-65261,,,"BONNET ASSY (GREEN)",1,,,,,,,,,,,,,
17A-1,1,,172155-65262,,,"BONNET ASSY (GREEN)",1,,,,,S,,,M00646,,,,,
17B,1,,172155-65101,,,"BONNET ASSY (PINK)",1,,,,,,,,,,,,,
17C,1,,172155-65501,,,"BONNET ASSY(YELLOW)",1,,,,,W,,,,,M00646,,,,,
18A,1,,172155-65300,,,"BOX,SWITCH (GREEN)",1,,,,,,,,,,,,,
18B,1,,172155-65180,,,"BOX, SWITCH (PINK)",1,,,,,,,,,,,,,
18C,1,,172155-65540,,,"BOX, SWITCH (YELLOW)",1,,,,,1,,,,,,,,,,,,,
19,1,,172155-65190,,,"SEAL, BONNET",1,1,1,,,,,,,,,,,,,
20,1,,172155-65210,,,"SEAL, SWITCH BOX",1,1,1,,,,,,,,,,,,,
20-1,1,,172155-65211,,,"SEAL, SWITCH BOX",1,1,1,,,,,S,,,,"FROM 1ST",,"FROM
1ST",,"FROM 1ST",,,,,,
21,1,,172155-65221,,,"HINGE",1,1,1,,,,,,,,,,,,,
22,1,,172155-65251,,,"PIN 12X80",1,1,1,,,,,,,,,,,,,
23A,1,,172155-65381,,,"COVER,BONNET (GREEN)",1,,,,,,,,,,,,,
23B,1,,172155-65371,,,"COVER,BONNET (PINK)",1,,,,,,,,,,,,,
23C,1,,172155-65550,,,"COVER,BONNET(YELLOW)",1,,,,,1,,,,,,,,,,,,,
25,2,,172155-65200,,,"CUSHION, BONNET",1,1,1,,,,,W,,,,"FROM 1ST",,"FROM 1ST",,"FROM
1ST",,,,,,
26,2,,172155-65361,,,"PAD",1,1,1,,,,,,,,,,,,,
27,1,,22137-080000,,,"WASHER 8, POLISHED",3,3,3,,,,,,,,,,,,,
28,1,,22217-080000,,,"SPRING WASHER 8",3,3,3,,,,,,,,,,,,,
29,1,,26116-050122,,,"BOLT M 5X 12 PLATED",6,6,6,,,,,,,,,,,,,
30,1,,26116-080202,,,"BOLT M 8X 20 PLATED",3,3,3,,,,,,,,,,,,,
30-1,1,,26116-080252,,,"BOLT M 8X 25
PLATED",3,3,3,,,,,N,,,M00501,,M00501,,M00501,,,,,
31,1,,26023-030302,,,"SCREW 3X30",2,2,2,,,,,,,,,,,,,
32,1,,26716-030002,,,"NUT M3",4,4,4,,,,,,,,,,,,,
33,1,,29321-164080,,,"GROMMET 16X4.0",2,2,2,,,,,,,,,,,,,
34,1,,29321-254100,,,"GROMMET 25X4.0",1,1,1,,,,,,,,,,,,,
35,1,,933168-56000,,,"GROMMET 17X19",1,1,1,,,,,,,,,,,,,
36,1,,1A1040-66000,,,"SPRING",1,1,1,,,,,,,,,,,,,
37,1,,172137-69850,,,"SCREW",4,4,4,,,,,,,,,,,,,
38,1,,22217-050000,,,"SPRING WASHER 5",6,6,6,,,,,,,,,,,,,
39,1,,172155-65460,,,"SHIM",2,2,2,,,,,,,,,,,,,
40,1,,22217-050000,,,"SPRING WASHER 5",2,2,2,,,,,,,,,,,,,
41,1,,26557-050122,,,"SCREW M 5X 12",2,2,2,,,,,,,,,,,,,
42,1,,172112-69300,,,"GROMMET 22X2",1,1,1,,,,,W,,,M01037,,M01037,,M01037,,,,,
43,1,,172124-05330,,,"CATCH, MAGNET",1,1,1,,,,,W,,,M01037,,M01037,,M01037,,,,,
44,1,,22217-030000,,,"SPRING WASHER 3",2,2,2,,,,,W,,,M01037,,M01037,,M01037,,,,,
45,1,,22857-300100,,,"SCREW 3X10,TAPPING",2,2,2,,,,,W,,,M01037,,M01037,,M01037,,,,,

Fig. 15 カバー & ボンネット
 COVER & BONNET

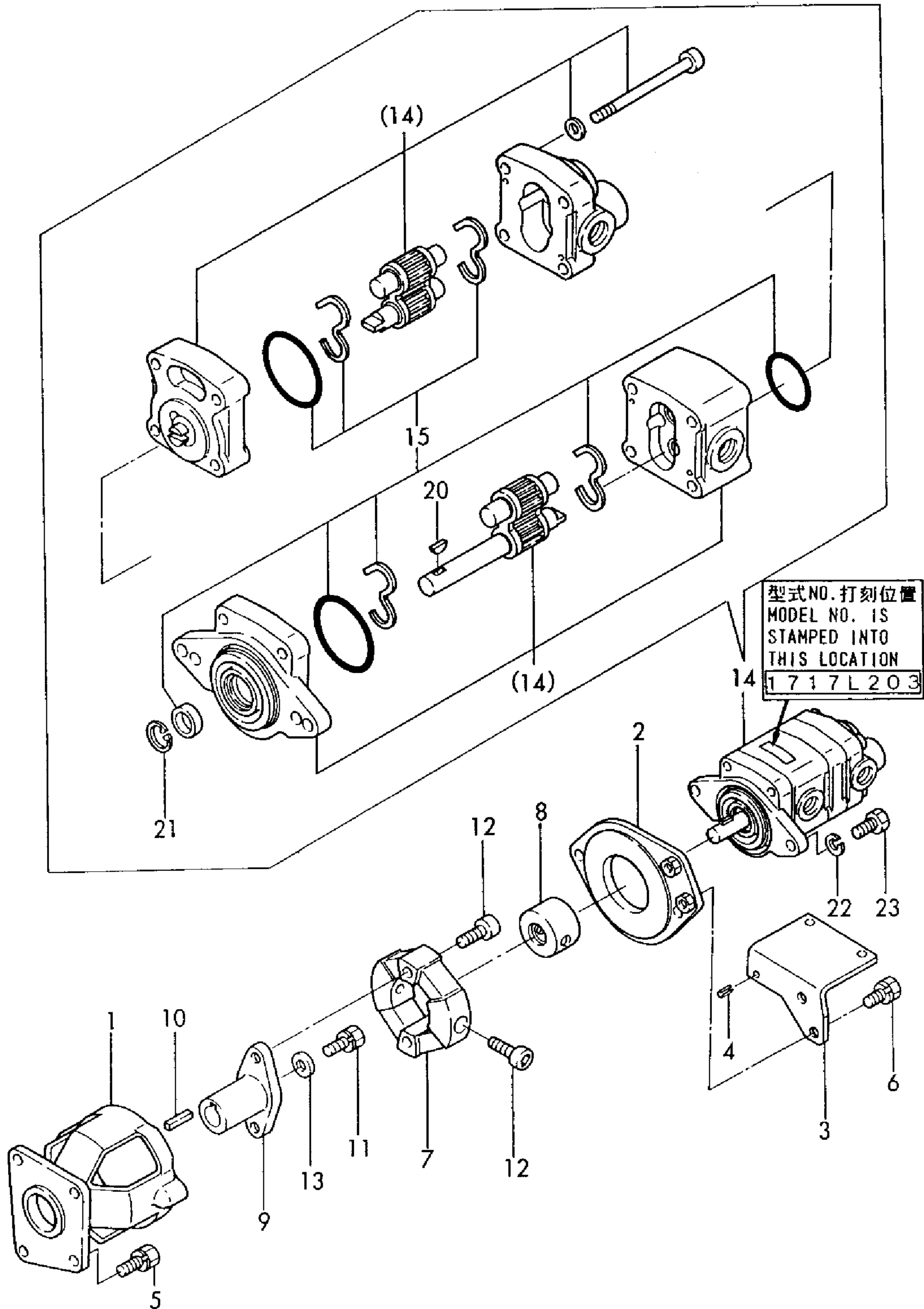
Y00K2631-2



1,1,,172155-71100,, "MOUNT A, PUMP",1,1,1,,,,,,,,,,,,,
2,1,,172155-71110,, "MOUNT B, PUMP",1,1,1,,,,,,,,,,,,,
3,1,,172155-71130,, "PLATE, DUCT",1,1,1,,,,,,,,,,,,,
4,1,,22351-050012,, "PIN 5X12, SPRING",1,1,1,,,,,,,,,,,,,
5,1,,26013-080202,, "BOLT W/WASHER M8X20",4,4,4,,,,,,,,,,,,,
6,1,,26013-080202,, "BOLT W/WASHER M8X20",2,2,2,,,,,,,,,,,,,
7,1,,172155-71200,, "COUPLING (CF-A-2",1,1,1,,,,,,,,,,,,,
8,1,,172155-71210,, "JOINT, PUMP SHAFT",1,1,1,,,,,,,,,,,,,
9,1,,172155-71220,, "FLANGE",1,1,1,,,,,,,,,,,,,
10,1,,22512-050240,, "KEY 5X 24",1,1,1,,,,,,,,,,,,,
11,1,,26013-080202,, "BOLT W/WASHER M8X20",1,1,1,,,,,,,,,,,,,
12,1,,26450-080252,, "BOLT M 8X 25",4,4,4,,,,,,,,,,,,,
13,1,,933168-28480,, "WASHER 20X9X3.2",1,1,1,,,,,,,,,,,,,
14,1,,172155-73100,, "PUMP ASSY, HYD. OIL",1,1,1,,,,,1,,,,,,,,,,,,,
15,2,,172156-73110,, "SEAL KIT",1,1,1,,,,,,,,,,,,,
20,2,,22522-030130,, "WOODRUFF KEY 3X13",1,1,1,,,,,,,,,,,,,
21-1,2,,22252-000220,, "CIRCLIP 22",1,1,1,,,,,2,,,,,,,,,,,,,
22,1,,22217-080000,, "SPRING WASHER 8",2,2,2,,,,,,,,,,,,,
23,1,,26116-080202,, "BOLT M 8X 20 PLATED",2,2,2,,,,,,,,,,,,,

Fig. 16 ポンプ & ポンプマウント
 HYD. OIL PUMP & PUMP MOUNT

SPEC. CODE
 D72155-71100
 D72155-71200
 D72155-73100

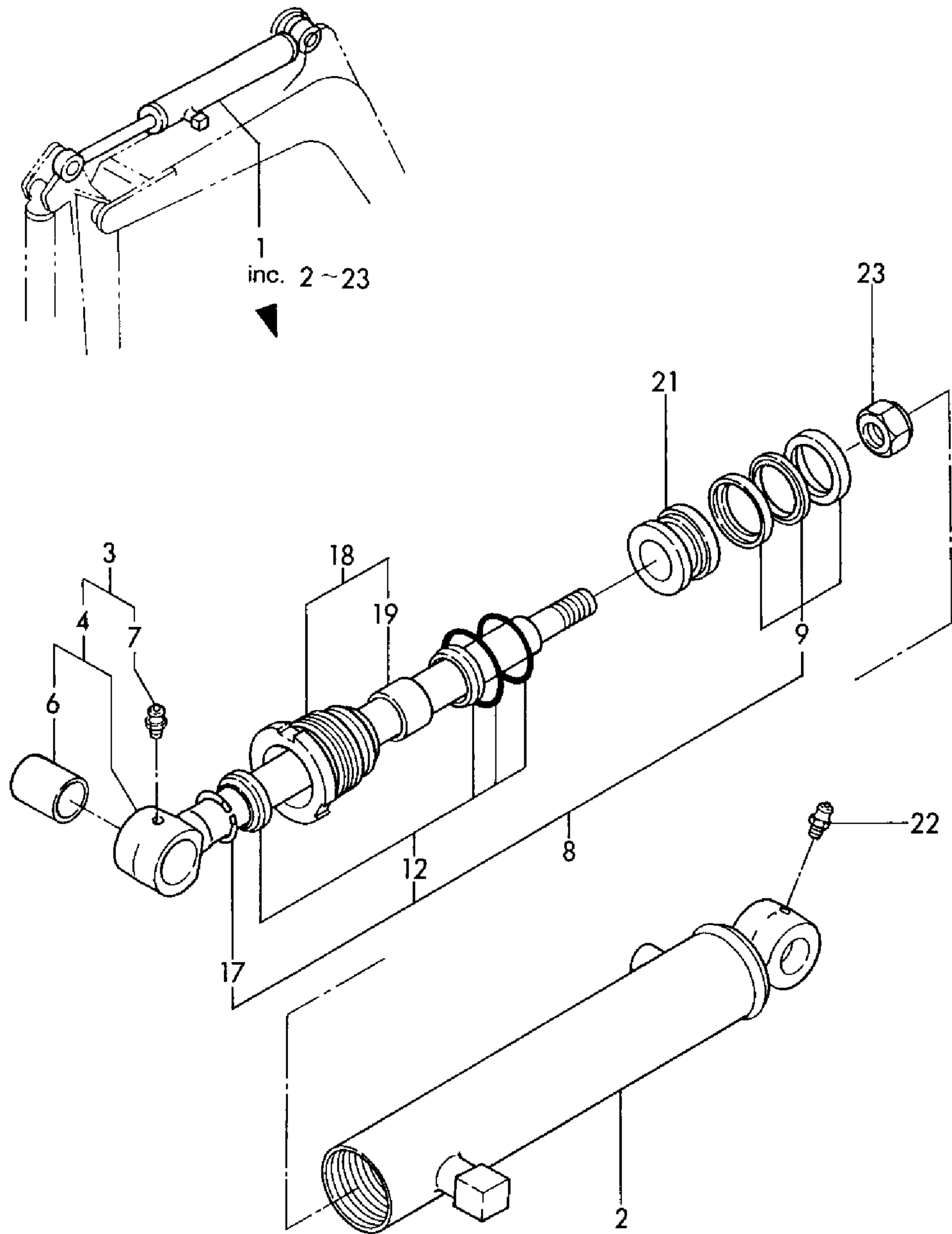


1A,1,,172155-72100,, "CYLINDER,BOOM(GREEN)",1,,,,,,,,,,,,,
1B,1,,172155-72100-1,, "CYLINDER,BOOM(PINK)",,1,,,,,,,,,,,,,
1C,1,,172155-72100-3,, "CYLINDER,BOOM(YELLOW)",,1,,,,,,,,,,,,,
2A,2,,772155-72150,, "TUBE,BOOM(GREEN)(76)",1,,,,,,,,,,,,,
2B,2,,772155-72150-1,, "TUBE,BOOM(PINK)(77)",1,,,,,,,,,,,,,
2C,2,,772155-72150-3,, "TUBE,BOOM(YELLOW:70)",,1,,,,,,,,,,,,,
4,3,,172155-72410,, "BUSH 20X28X30",1,1,1,,,,,,,,,,,,,
5,2,,172156-72280,, "HEAD 40 22 W/BUSH",1,1,1,,,,,,,,,,,,,
7,3,,172156-72300,, "BUSH 22.4 20, ROD",1,1,1,,,,,,,,,,,,,
8,2,,172155-72300,, "ROD, BOOM",1,1,1,,,,,,,,,,,,,
9,2,,172156-72310,, "PISTON 40 14 A1",1,1,1,,,,,,,,,,,,,
10,2,,172156-72320,, "PISTON 40 14 A2",1,1,1,,,,,,,,,,,,,
11,2,,172156-72350,, "COLLAR, CUSHION 27 A",1,1,1,,,,,,,,,,,,,
12,2,,172156-72360,, "RING, CUSHION 25",1,1,1,,,,,,,,,,,,,
13,2,,172156-72370,, "COLLAR, CUSHION 27 B",1,1,1,,,,,,,,,,,,,
14,2,,172156-72400,, "U-NUT M 14",1,1,1,,,,,,,,,,,,,
15,2,,24761-040000,, "NIPPLE B,GREASE",1,1,1,,,,,,,,,,,,,
16,2,,24761-060000,, "NIPPLE MT6X1, GREASE",1,1,1,,,,,,,,,,,,,
17,2,,172156-99340,, "CYLINDER KIT, BOOM",1,1,1,, ,W,,MXXX,,MXXX,,MXXX,, , ,
18,3,,172156-72030,, "SEAL SET, PISTON",1,1,1,,,,,,,,,,,,,
22,3,,172156-72380,, "RING, SPRING 37.5",1,1,1,,,,,,,,,,,,,
23,3,,172156-72010,, "SEAL SET, HEAD",1,1,1,,,,,,,,,,,,,

1A,1,,172155-72110,, "CYLINDER,ARM(GREEN)",1,,,,,,,,,,,,,
1B,1,,172155-72110-1,, "CYLINDER,ARM (PINK)",,1,,,,,,,,,,,,,
1C,1,,172155-72110-3,, "CYLINDER,ARM(YELLOW)",,1,,,,,,,,,,,,,
2A,2,,172155-72160,, "TUBE,ARM(GREEN)(76)",1,,,,,,,,,,,,,
2B,2,,172155-72160-1,, "TUBE,ARM (PINK)(77)",,1,,,,,,,,,,,,,
2C,2,,172155-72160-3,, "TUBE, ARM (YELLOW)",,1,,,,,,,,,,,,,
3,2,,772155-72320,, "ROD ASSY, SWING",1,1,1,,,,,,,,,,,,,
4,3,,772155-72310,, "ROD ASSY",1,1,1,,,,,,,,,,,,,
6,4,,172155-72410,, "BUSH 20X28X30",1,1,1,,,,,,,,,,,,,
7,3,,24761-060000,, "NIPPLE MT6X1, GREASE",1,1,1,,,,,,,,,,,,,
8,2,,172156-99380,, "CYLINDER KIT, ARM",1,1,1,,,W,,,MXXX,,MXXX,,MXXX,,,,,
9,3,,172156-72040,, "SEAL SET, PISTON",1,1,1,,,,,,,,,,,,,
12,3,,172156-72020,, "SEAL SET, HEAD",1,1,1,,,,,,,,,,,,,
17,3,,172156-72380,, "RING, SPRING 37.5",1,1,1,,,,,,,,,,,,,
18,2,,172156-72550,, "HEAD 40 22 B W/BUSH",1,1,1,,,,,,,,,,,,,
19,3,,172156-72300,, "BUSH 22.4 20, ROD",1,1,1,,,,,,,,,,,,,
21,2,,172156-72570,, "PISTON 40 14 B",1,1,1,,,,,,,,,,,,,
22,2,,24761-060000,, "NIPPLE MT6X1, GREASE",1,1,1,,,,,,,,,,,,,
23,2,,172156-72400,, "U-NUT M 14",1,1,1,,,,,,,,,,,,,

Fig. 18 アームシリンダ
ARM CYLINDER

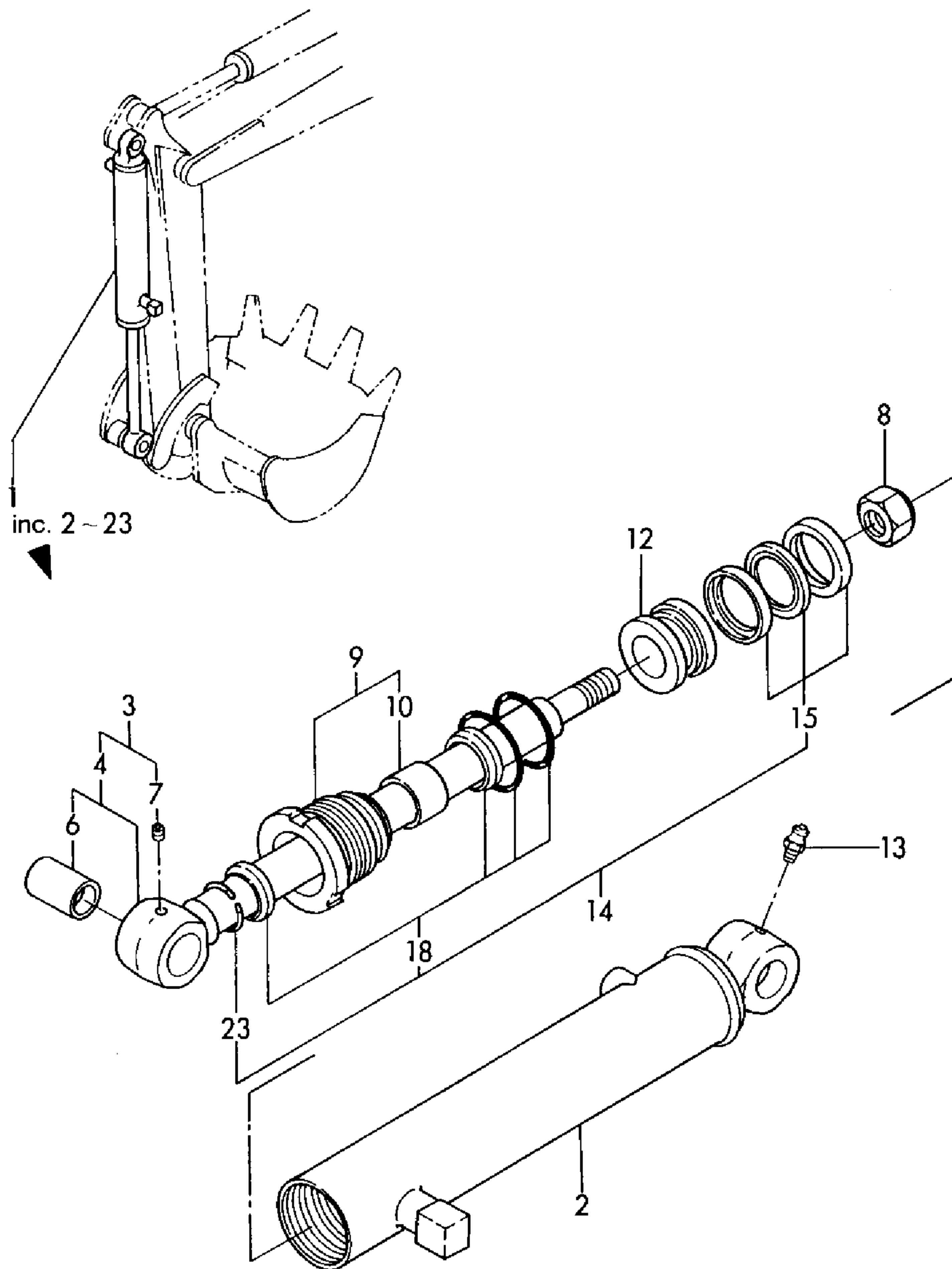
SPEC. CODE
D72155-72100



1A,1,,172155-72120,, "CYLINDER, BUCKET (GREE",1,,,,,,,,,,,,,
1B,1,,172155-72120-1,, "CYLINDER, BUCKET (PINK",,1,,,,,,,,,,,,,
1C,1,,172155-72120-3,, "CYLINDER, BUCKET (YELL",,,,1,,,,,,,,,,,,,
2A,2,,172155-72160,, "TUBE, ARM (GREEN) (76)",1,,,,,,,,,,,,,
2B,2,,172155-72160-1,, "TUBE, ARM (PINK) (77)",,1,,,,,,,,,,,,,
2C,2,,172155-72160-3,, "TUBE, ARM (YELLOW)",,,,1,,,,,,,,,,,,,
3,2,,772155-72330,, "ROD W/BUSH",1,1,1,,,,,,,,,,,,,
4,3,,772155-72310,, "ROD ASSY",1,1,1,,,,,,,,,,,,,
6,4,,172155-72410,, "BUSH 20X28X30",1,1,1,,,,,,,,,,,,,
7,3,,26979-060062,, "SCREW M 6X 6",1,1,1,,,,,,,,,,,,,
8,2,,172156-72400,, "U-NUT M 14",1,1,1,,,,,,,,,,,,,
9,2,,172156-72550,, "HEAD 40 22 B W/BUSH",1,1,1,,,,,,,,,,,,,
10,3,,172156-72300,, "BUSH 22.4 20, ROD",1,1,1,,,,,,,,,,,,,
12,2,,172156-72570,, "PISTON 40 14 B",1,1,1,,,,,,,,,,,,,
13,2,,24761-060000,, "NIPPLE MT6X1, GREASE",1,1,1,,,,,,,,,,,,,
14,2,,172156-99380,, "CYLINDER KIT, ARM",1,1,1,,,W,,,MXXX,,MXXX,,MXXX,,,,,
15,3,,172156-72040,, "SEAL SET, PISTON",1,1,1,,,,,,,,,,,,,
18,3,,172156-72020,, "SEAL SET, HEAD",1,1,1,,,,,,,,,,,,,
23,3,,172156-72380,, "RING, SPRING 37.5",1,1,1,,,,,,,,,,,,,

Fig. 19 バケットシリンダ
BUCKET CYLINDER

SPEC. CODE
D72155-72100

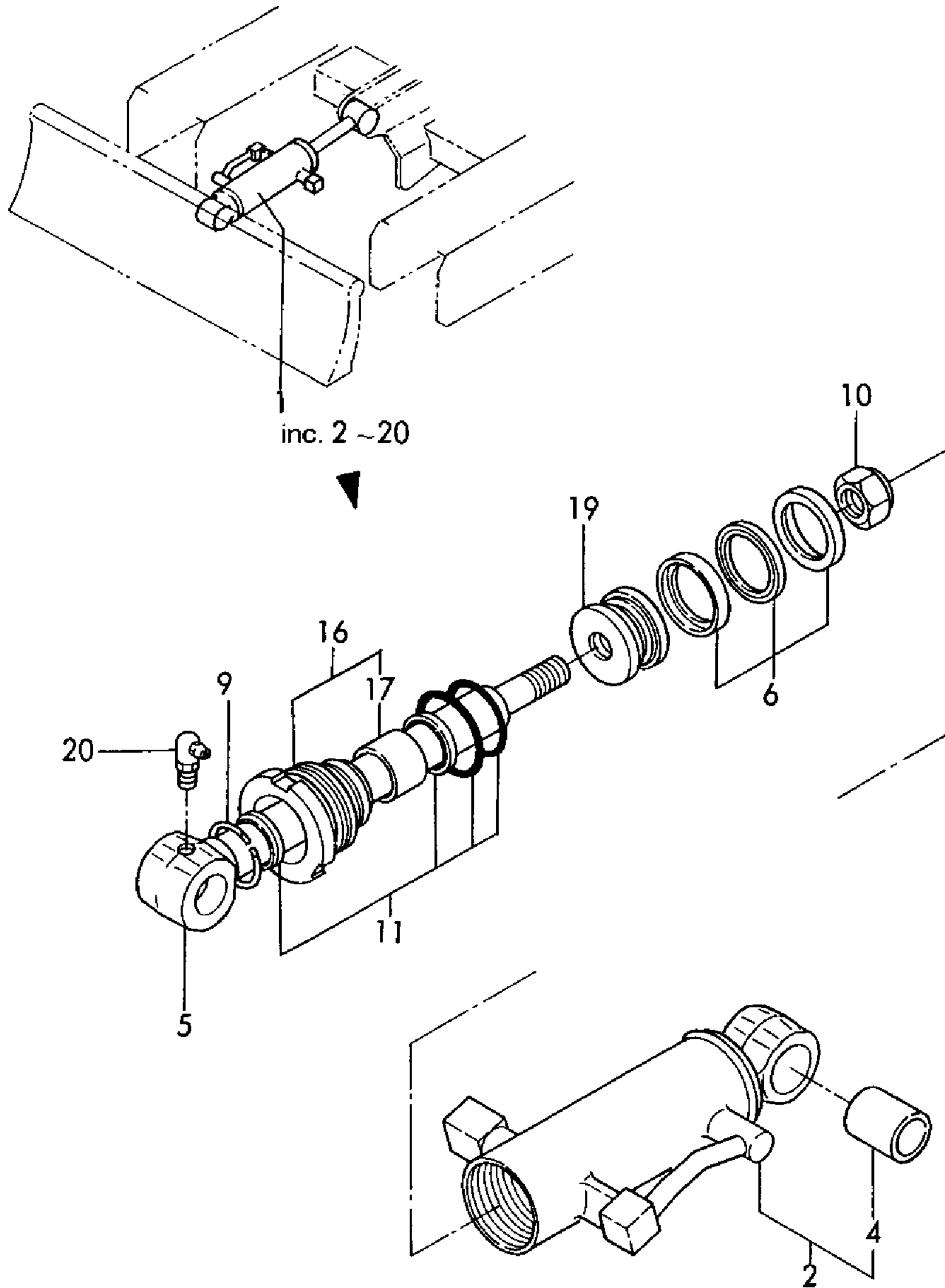


1,1,,172155-72130,, "CYLINDER ASSY, SWING",1,1,1,,,,,,,,,,,,,
2,2,,172155-72170,, "TUBE W/BUSH, SWING",1,1,1,,,,,,,,,,,,,
3,2,,772155-72320,, "ROD ASSY, SWING",1,1,1,,,,,,,,,,,,,
5,2,,172155-72410,, "BUSH 20X28X30",1,1,1,,,,,,,,,,,,,
6,2,,172156-72040,, "SEAL SET, PISTON",1,1,1,,,,,,,,,,,,,
9,2,,172156-72380,, "RING, SPRING 37.5",1,1,1,,,,,,,,,,,,,
10,2,,172156-72400,, "U-NUT M 14",1,1,1,,,,,,,,,,,,,
11,2,,172156-72020,, "SEAL SET, HEAD",1,1,1,,,,,,,,,,,,,
16,2,,172156-72550,, "HEAD 40 22 B W/BUSH",1,1,1,,,,,,,,,,,,,
17,3,,172156-72300,, "BUSH 22.4 20, ROD",1,1,1,,,,,,,,,,,,,
19,2,,172156-72570,, "PISTON 40 14 B",1,1,1,,,,,,,,,,,,,
20,2,,24761-060000,, "NIPPLE MT6X1, GREASE",1,1,1,,,,,,,,,,,,,
21,1,,172155-72440,, "JOINT M6X47.5",1,1,1,,,,,,,,,,,,,
22,1,,24761-060000,, "NIPPLE MT6X1, GREASE",1,1,1,,,,,,,,,,,,,

1,1,,172155-72140,, "CYLINDER ASSY, BLADE",1,1,1,,,,,,,,,,,,,
2,2,,172155-72180,, "TUBE W/BUSH, BLADE",1,1,1,,,,,,,,,,,,,
4,2,,172155-72410,, "BUSH 20X28X30",1,1,1,,,,,,,,,,,,,
5,2,,172155-72330,, "ROD, BLADE",1,1,1,,,,,,,,,,,,,
6,2,,172156-72040,, "SEAL SET, PISTON",1,1,1,,,,,,,,,,,,,
9,2,,172156-72380,, "RING, SPRING 37.5",1,1,1,,,,,,,,,,,,,
10,2,,172156-72400,, "U-NUT M 14",1,1,1,,,,,,,,,,,,,
11,2,,172156-72020,, "SEAL SET, HEAD",1,1,1,,,,,,,,,,,,,
16,2,,172156-72550,, "HEAD 40 22 B W/BUSH",1,1,1,,,,,,,,,,,,,
17,3,,172156-72300,, "BUSH 22.4 20, ROD",1,1,1,,,,,,,,,,,,,
19,2,,172156-72570,, "PISTON 40 14 B",1,1,1,,,,,,,,,,,,,
20,2,,24761-040000,, "NIPPLE B,GREASE",1,1,1,,,,,,,,,,,,,

Fig. 21 ブレードシリンダ
BLADE CYLINDER

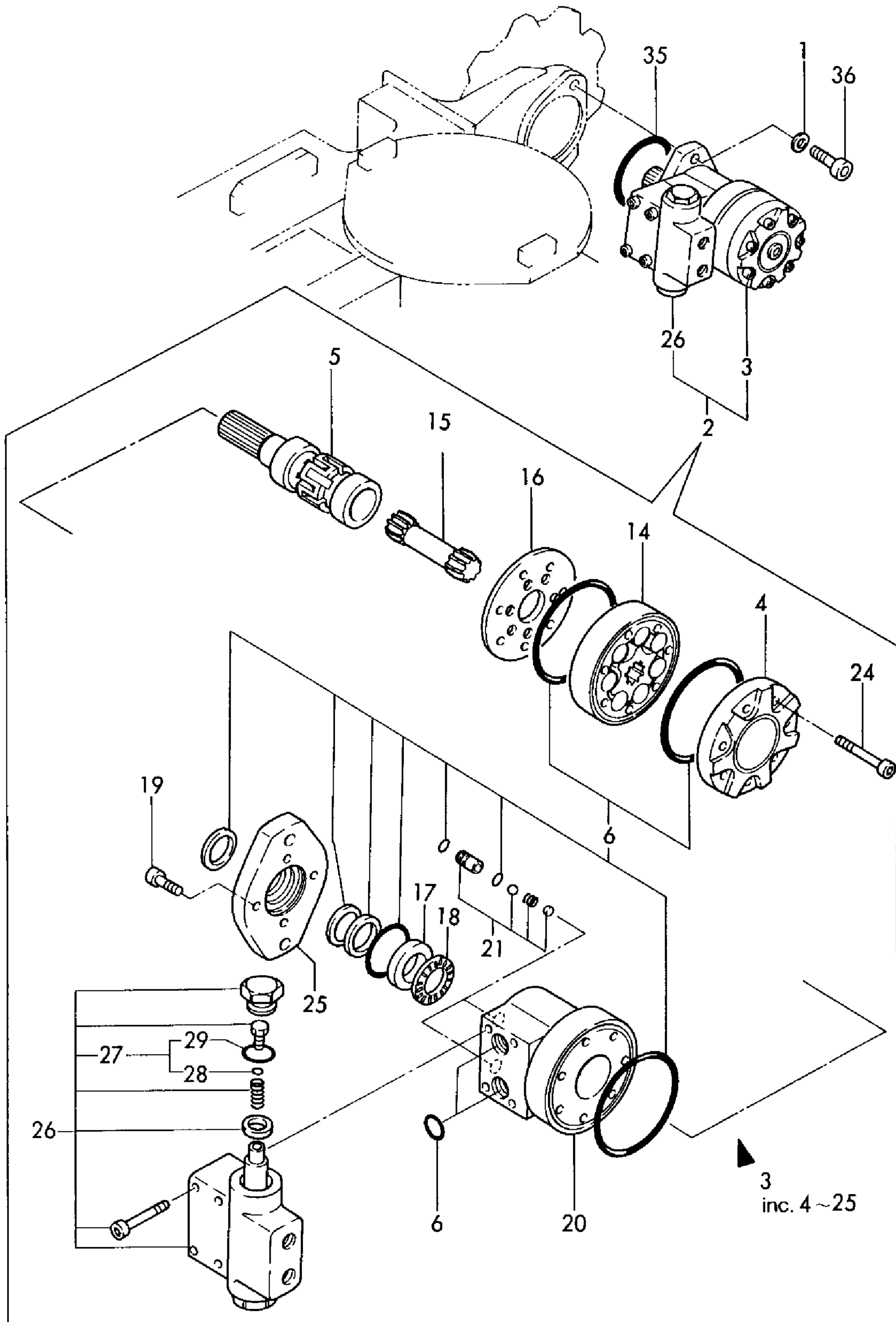
SPEC. CODE
D72155-72100



1,1,,194180-27270,, "WASHER 12X21X3",4,4,4,,,,,,,,,,,,,
2,1,,172155-73300,, "MOTOR ASSY, DRIVE",2,2,2,,,,,,,,,,,,,
3,2,,172155-73310,, "MOTOR, S190B",2,2,2,,,,,,,,,,,,,
4,3,,172155-73320,, "CAP, END",2,2,2,,,,,,,,,,,,,
5,3,,172155-73330,, "SHAFT, OUTPUT",2,2,2,,,,,,,,,,,,,
6-1,3,,172155-73340,, "SEAL KIT",2,2,2,,,,,1,,,,,,,,,,,,,
14,3,,172131-73370,, "ROLLER ASSY",2,2,2,,,,,,,,,,,,,
15,3,,172131-73381,, "DRIVE",2,2,2,,,,,,,,,,,,,
16,3,,172131-73420,, "PLATE, SPACER",2,2,2,,,,,,,,,,,,,
17,3,,172131-73470,, "BEARING, THRUST RACE",2,2,2,,,,,,,,,,,,,
18,3,,172131-73480,, "NEEDLE BEARING",2,2,2,,,,,,,,,,,,,
19,3,,172131-73490,, "BOLT, BROACH",8,8,8,,,,,,,,,,,,,
20,3,,172131-73650,, "HOUSING",2,2,2,,,,,,,,,,,,,
21,3,,172131-73680,, "CHECK VALVE ASSY",4,4,4,,,,,,,,,,,,,
24,3,,172131-73360,, "BOLT",14,14,14,,,,,,,,,,,,,
25,3,,172131-73431,, "FLANGE",2,2,2,,,,,,,,,,,,,
26,2,,172131-73560,, "VALVE, ",2,2,2,,,,,,,,,,,,,
27,3,,172131-73570,, "SEAL SET, ",2,2,2,,,,,,,,,,,,,
28,4,,24315-000070,, "O-RING 1B P-7.0",4,4,4,,,,,,,,,,,,,
29,4,,24315-000240,, "O-RING 1B P-24.0",4,4,4,,,,,,,,,,,,,
35,1,,172131-73320,, "O-RING",2,2,2,,,,,,,,,,,,,
36,1,,26450-120402,, "BOLT M12X 40",4,4,4,,,,,,,,,,,,,

Fig. 22 走行モータ
DRIVING MOTOR

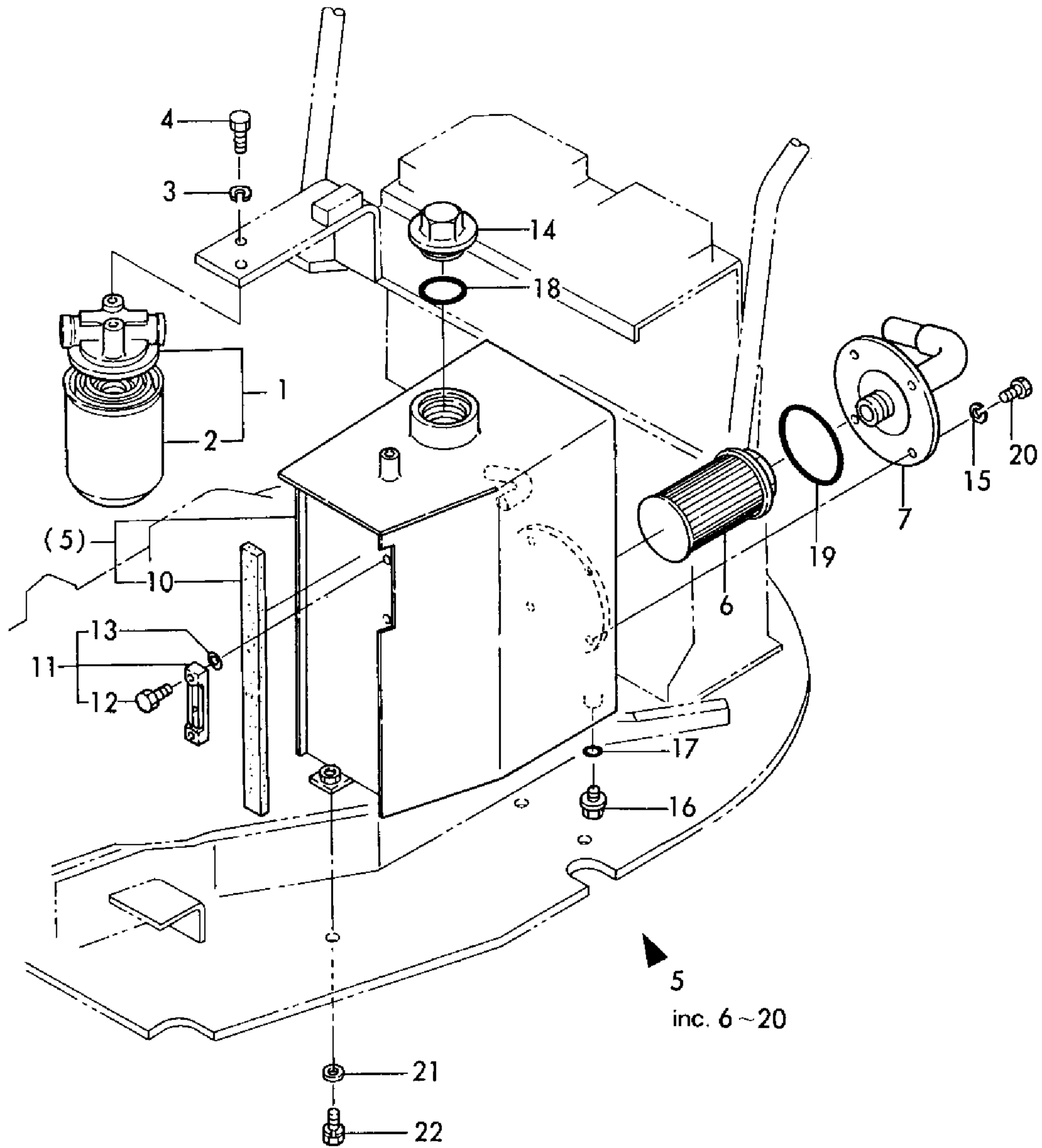
SPEC. CODE
D72155-73300



1,1,,172156-73700,, "STRAINER, RETURN",1,1,1,,,,,,,,,,,,,
2,2,,172156-73710,, ELEMENT,1,1,1,,,,,,,,,,,,,
3,1,,22217-080000,, "SPRING WASHER 8",2,2,2,,,,,,,,,,,,,
4,1,,26116-080202,, "BOLT M 8X 20 PLATED",2,2,2,,,,,,,,,,,,,
5,1,,772155-75100,, "RESERVER ASSY",1,1,1,,,,,,,,,,,,,
6,2,,172732-73700,, "FILTER, SUCTION",1,1,1,,,,,,,,,,,,,
7,2,,172155-75170,, "TUBE, SUCTION",1,1,1,,,,,,,,,,,,,
10,3,,172155-75210,, "SEAL, RESERVOIR",1,1,1,,,,,,,,,,,,,
11,2,,172122-75600,, "GAUGE, OIL LEVEL",1,1,1,,,,,,,,,,,,,
12,3,,172122-75620,, BOLT,2,2,2,,,,,,,,,,,,,
13,3,,172122-75630,, GASKET,4,4,4,,,,,,,,,,,,,
14,2,,172116-75850,, "PLUG, OIL FEED",1,1,1,,,,,,,,,,,,,
15,2,,22217-080000,, "SPRING WASHER 8",4,4,4,,,,,,,,,,,,,
16,2,,23491-140002,, "PLUG 14",1,1,1,,,,,,,,,,,,,
17,2,,24311-000160,, "O-RING 1A P-16.0",1,1,1,,,,,,,,,,,,,
18,2,,24311-000380,, "O-RING 1A P-38.0",1,1,1,,,,,,,,,,,,,
19,2,,24321-000700,, "O-RING 1A G-70.0",1,1,1,,,,,,,,,,,,,
20,2,,26116-080162,, "BOLT M 8X 16 PLATED",4,4,4,,,,,,,,,,,,,
21,1,,22137-100000,, "WASHER 10,POLISHED",3,3,3,,,,,,,,,,,,,
22,1,,26013-100252,, "BOLT W/WASHER M10X25",3,3,3,,,,,,,,,,,,,

Fig. 23 作動油タンク
HYD. OIL TANK

SPEC. CODE
D72155-73700
D72155-75100



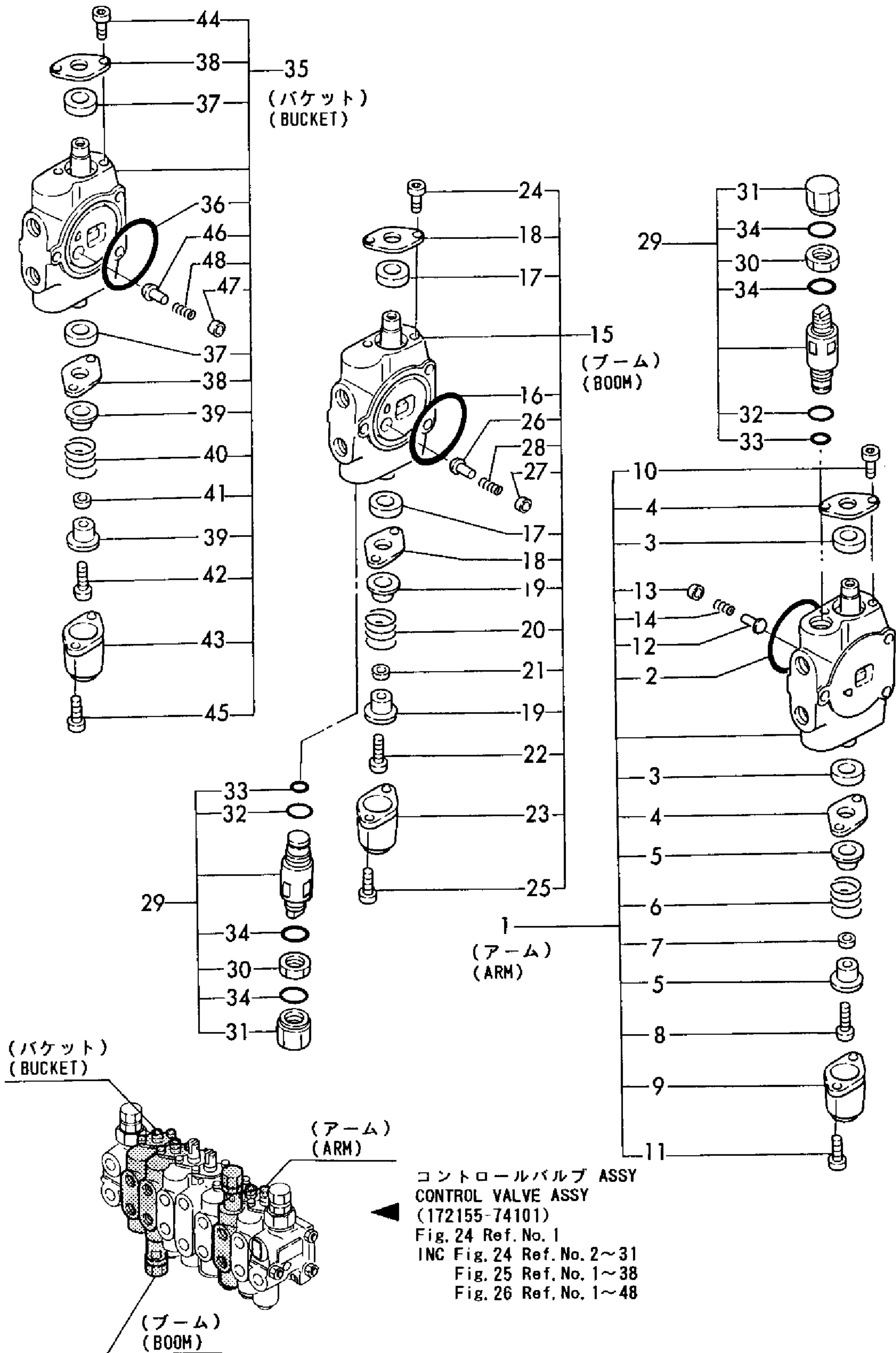
1,1,,172155-74101,, "VALVE, CONTROL",1,1,1,,,,,,,,,,,,,
2,2,,172131-74780,, "SECTION ASSY, P1",1,1,1,,,,,,,,,,,,,
3,3,,24325-000550,, "O-RING 1B G-55.0",1,1,1,,,,,,,,,,,,,
4,3,,23871-010000,, "PLUG PT1/8,SCREW",1,1,1,,,,,,,,,,,,,
5,2,,172155-74110,, "P.T.O.SECTION ASY",1,1,1,,,,,,,,,,,,,
6,3,,24325-000550,, "O-RING 1B G-55.0",1,1,1,,,,,,,,,,,,,
7,3,,172137-74440,, "SEAL, OIL",2,2,2,,,,,,,,,,,,,
8,3,,172137-74450,, "PLATE,SEAL",2,2,2,,,,,,,,,,,,,
9,3,,172137-74460,, "SEAT, SPRING",2,2,2,,,,,,,,,,,,,
10,3,,172137-74420,, "SPRING (A), RETURN",1,1,1,,,,,,,,,,,,,
11,3,,172137-74470,, "SPACER",1,1,1,,,,,,,,,,,,,
12,3,,172137-74480,, "BOLT, SPOOL",1,1,1,,,,,,,,,,,,,
13,3,,172137-74490,, "CAP",1,1,1,,,,,,,,,,,,,
14,3,,172137-74500,, "BOLT, PLATE",2,2,2,,,,,,,,,,,,,
15,3,,172137-74510,, "BOLT, CAP",2,2,2,,,,,,,,,,,,,
16,3,,172137-74520,, "VALVE, CHECK",1,1,1,,,,,,,,,,,,,
17,3,,172137-74530,, "GUIDE, VALVE",1,1,1,,,,,,,,,,,,,
18,3,,172137-74540,, "SPRING, VALVE",1,1,1,,,,,,,,,,,,,
19,2,,172155-74310,, "SPACER",1,1,1,,,,,,,,,,,,,
20,2,,172131-74850,, "SECTION ASSY, P2",1,1,1,,,,,,,,,,,,,
21,3,,24325-000550,, "O-RING 1B G-55.0",1,1,1,,,,,,,,,,,,,
22,3,,23871-010000,, "PLUG PT1/8,SCREW",1,1,1,,,,,,,,,,,,,
23,2,,26716-080002,, "NUT M 8",6,6,6,,,,,,,,,,,,,
24-1,2,,172155-74290,, "TIE-ROD",3,3,3,,,,,2,,,,,,,,,,,,,
25,2,,172155-74200,, "VALVE ASSY, RELIEF",2,2,2,,,,,,,,,,,,,
27-1,3,,172137-74580,, "O-RING 15",2,2,2,,,,,1,,,,,,,,,,,,,
28,3,,24315-000220,, "O-RING 1B P-22.0",2,2,2,,,,,,,,,,,,,
29,3,,172131-74040,, "NUT M14X1",2,2,2,,,,,,,,,,,,,
30,3,,172131-74050,, "CAP NUT M16X1",2,2,2,,,,,,,,,,,,,
31,3,,24341-000160,, "O-RING 1A S-16.0",4,4,4,,,,,,,,,,,,,
32,1,,26013-080162,, "BOLT W/WASHER M8X16",1,1,1,,,,,,,,,,,,,
33,1,,26013-080302,, "BOLT M 8X 30",2,2,2,,,,,,,,,,,,,

1,2,,172156-74131,, "SEC.(L) ASSY, TRAVEL",1,1,1,,,,,,,,,,,,,
2,3,,24325-000550,, "O-RING 1B G-55.0",1,1,1,,,,,,,,,,,,,
3,3,,172137-74440,, "SEAL, OIL",2,2,2,,,,,,,,,,,,,
4,3,,172137-74450,, "PLATE,SEAL",2,2,2,,,,,,,,,,,,,
5,3,,172137-74460,, "SEAT, SPRING",2,2,2,,,,,,,,,,,,,
6,3,,172131-74380,, "SPRING, RETURN",1,1,1,,,,,,,,,,,,,
7,3,,172137-74470,, "SPACER,1,1,1",,,,,,,,,,,,,,
8,3,,172137-74480,, "BOLT, SPOOL",1,1,1,,,,,,,,,,,,,
9,3,,172137-74490,, "CAP,1,1,1",,,,,,,,,,,,,,
10,3,,172137-74500,, "BOLT, PLATE",2,2,2,,,,,,,,,,,,,
11,3,,172137-74510,, "BOLT, CAP",2,2,2,,,,,,,,,,,,,
12,2,,172155-74150,, "SECTION ASSY, BLADE",1,1,1,,,,,,,,,,,,,
13,3,,24325-000550,, "O-RING 1B G-55.0",1,1,1,,,,,,,,,,,,,
14,3,,172137-74440,, "SEAL, OIL",2,2,2,,,,,,,,,,,,,
15,3,,172137-74450,, "PLATE,SEAL",2,2,2,,,,,,,,,,,,,
16,3,,172137-74460,, "SEAT, SPRING",2,2,2,,,,,,,,,,,,,
17,3,,172137-74420,, "SPRING (A), RETURN",1,1,1,,,,,,,,,,,,,
18,3,,172137-74470,, "SPACER,1,1,1",,,,,,,,,,,,,,
19,3,,172137-74480,, "BOLT, SPOOL",1,1,1,,,,,,,,,,,,,
20,3,,172137-74490,, "CAP,1,1,1",,,,,,,,,,,,,,
21,3,,172137-74500,, "BOLT, PLATE",2,2,2,,,,,,,,,,,,,
22,3,,172137-74510,, "BOLT, CAP",2,2,2,,,,,,,,,,,,,
23,3,,172137-74520,, "VALVE, CHECK",2,2,2,,,,,,,,,,,,,
24,3,,172131-74060,, "GUIDE,CHECK VALVE",2,2,2,,,,,,,,,,,,,
25,3,,172137-74540,, "SPRING, VALVE",2,2,2,,,,,,,,,,,,,
26,3,,172156-74160,, "PLUG, M6",2,2,2,,,,,,,,,,,,,
27,3,,172131-74080,, "O-RING 1B S9",2,2,2,,,,,,,,,,,,,
28,2,,172156-74171,, "SEC.(R) ASSY, TRAVEL",1,1,1,,,,,,,,,,,,,
29,3,,24325-000550,, "O-RING 1B G-55.0",1,1,1,,,,,,,,,,,,,
30,3,,172137-74440,, "SEAL, OIL",2,2,2,,,,,,,,,,,,,
31,3,,172137-74450,, "PLATE,SEAL",2,2,2,,,,,,,,,,,,,
32,3,,172137-74460,, "SEAT, SPRING",2,2,2,,,,,,,,,,,,,
33,3,,172131-74380,, "SPRING, RETURN",1,1,1,,,,,,,,,,,,,
34,3,,172137-74470,, "SPACER,1,1,1",,,,,,,,,,,,,,
35,3,,172137-74480,, "BOLT, SPOOL",1,1,1,,,,,,,,,,,,,
36,3,,172137-74490,, "CAP,1,1,1",,,,,,,,,,,,,,
37,3,,172137-74500,, "BOLT, PLATE",2,2,2,,,,,,,,,,,,,
38,3,,172137-74510,, "BOLT, CAP",2,2,2,,,,,,,,,,,,,

1,2,,172155-74120,, "ARM SECTION ASY",1,1,1,,,,,,,,,,,,,
2,3,,24325-000550,, "O-RING 1B G-55.0",1,1,1,,,,,,,,,,,,,
3,3,,172137-74440,, "SEAL, OIL",2,2,2,,,,,,,,,,,,,
4,3,,172137-74450,, "PLATE,SEAL",2,2,2,,,,,,,,,,,,,
5,3,,172137-74460,, "SEAT, SPRING",2,2,2,,,,,,,,,,,,,
6,3,,172137-74420,, "SPRING (A), RETURN",1,1,1,,,,,,,,,,,,,
7,3,,172137-74470,, "SPACER",1,1,1,,,,,,,,,,,,,
8,3,,172137-74480,, "BOLT, SPOOL",1,1,1,,,,,,,,,,,,,
9,3,,172137-74490,, "CAP",1,1,1,,,,,,,,,,,,,
10,3,,172137-74500,, "BOLT, PLATE",2,2,2,,,,,,,,,,,,,
11,3,,172137-74510,, "BOLT, CAP",2,2,2,,,,,,,,,,,,,
12,3,,172137-74520,, "VALVE, CHECK",1,1,1,,,,,,,,,,,,,
13,3,,172137-74530,, "GUIDE, VALVE",1,1,1,,,,,,,,,,,,,
14,3,,172137-74540,, "SPRING, VALVE",1,1,1,,,,,,,,,,,,,
15,2,,172155-74180,, "SECTION ASSY, BOOM",1,1,1,,,,,,,,,,,,,
16,3,,24325-000550,, "O-RING 1B G-55.0",1,1,1,,,,,,,,,,,,,
17,3,,172137-74440,, "SEAL, OIL",2,2,2,,,,,,,,,,,,,
18,3,,172137-74450,, "PLATE,SEAL",2,2,2,,,,,,,,,,,,,
19,3,,172137-74460,, "SEAT, SPRING",2,2,2,,,,,,,,,,,,,
20,3,,172137-74420,, "SPRING (A), RETURN",1,1,1,,,,,,,,,,,,,
21,3,,172137-74470,, "SPACER",1,1,1,,,,,,,,,,,,,
22,3,,172137-74480,, "BOLT, SPOOL",1,1,1,,,,,,,,,,,,,
23,3,,172137-74490,, "CAP",1,1,1,,,,,,,,,,,,,
24,3,,172137-74500,, "BOLT, PLATE",2,2,2,,,,,,,,,,,,,
25,3,,172137-74510,, "BOLT, CAP",2,2,2,,,,,,,,,,,,,
26,3,,172137-74520,, "VALVE, CHECK",1,1,1,,,,,,,,,,,,,
27,3,,172137-74530,, "GUIDE, VALVE",1,1,1,,,,,,,,,,,,,
28,3,,172137-74540,, "SPRING, VALVE",1,1,1,,,,,,,,,,,,,
29,2,,172155-74210,, "VALVE ASSY,OVER ROAD",2,2,2,,,,,,,,,,,,,
30,3,,172131-74030,, "NUT M14X1",2,2,2,,,,,,,,,,,,,
31,3,,172131-74050,, "CAP NUT M16X1",2,2,2,,,,,,,,,,,,,
32,3,,24315-000150,, "O-RING 1B P-15.0",2,2,2,,,,,,,,,,,,,
33,3,,172137-74640,, "O-RING 1B S 12.5",2,2,2,,,,,,,,,,,,,
34,3,,172131-74020,, "O-RING",4,4,4,,,,,,,,,,,,,
35,2,,172155-74190,, "SWING SECTION ASY",1,1,1,,,,,,,,,,,,,
36,3,,24325-000550,, "O-RING 1B G-55.0",1,1,1,,,,,,,,,,,,,
37,3,,172137-74440,, "SEAL, OIL",2,2,2,,,,,,,,,,,,,
38,3,,172137-74450,, "PLATE,SEAL",2,2,2,,,,,,,,,,,,,
39,3,,172137-74460,, "SEAT, SPRING",2,2,2,,,,,,,,,,,,,
40,3,,172137-74420,, "SPRING (A), RETURN",1,1,1,,,,,,,,,,,,,
41,3,,172137-74470,, "SPACER",1,1,1,,,,,,,,,,,,,
42,3,,172137-74480,, "BOLT, SPOOL",1,1,1,,,,,,,,,,,,,
43,3,,172137-74490,, "CAP",1,1,1,,,,,,,,,,,,,
44,3,,172137-74500,, "BOLT, PLATE",2,2,2,,,,,,,,,,,,,
45,3,,172137-74510,, "BOLT, CAP",2,2,2,,,,,,,,,,,,,
46,3,,172137-74520,, "VALVE, CHECK",1,1,1,,,,,,,,,,,,,
47,3,,172137-74530,, "GUIDE, VALVE",1,1,1,,,,,,,,,,,,,
48,3,,172137-74540,, "SPRING, VALVE",1,1,1,,,,,,,,,,,,,

Fig. 26 コントロールバルブ(アーム, ブーム & バケット) CONTROL VALVE(ARM, BOOM & BUCKET)

SPEC. CODE
D72155-74100

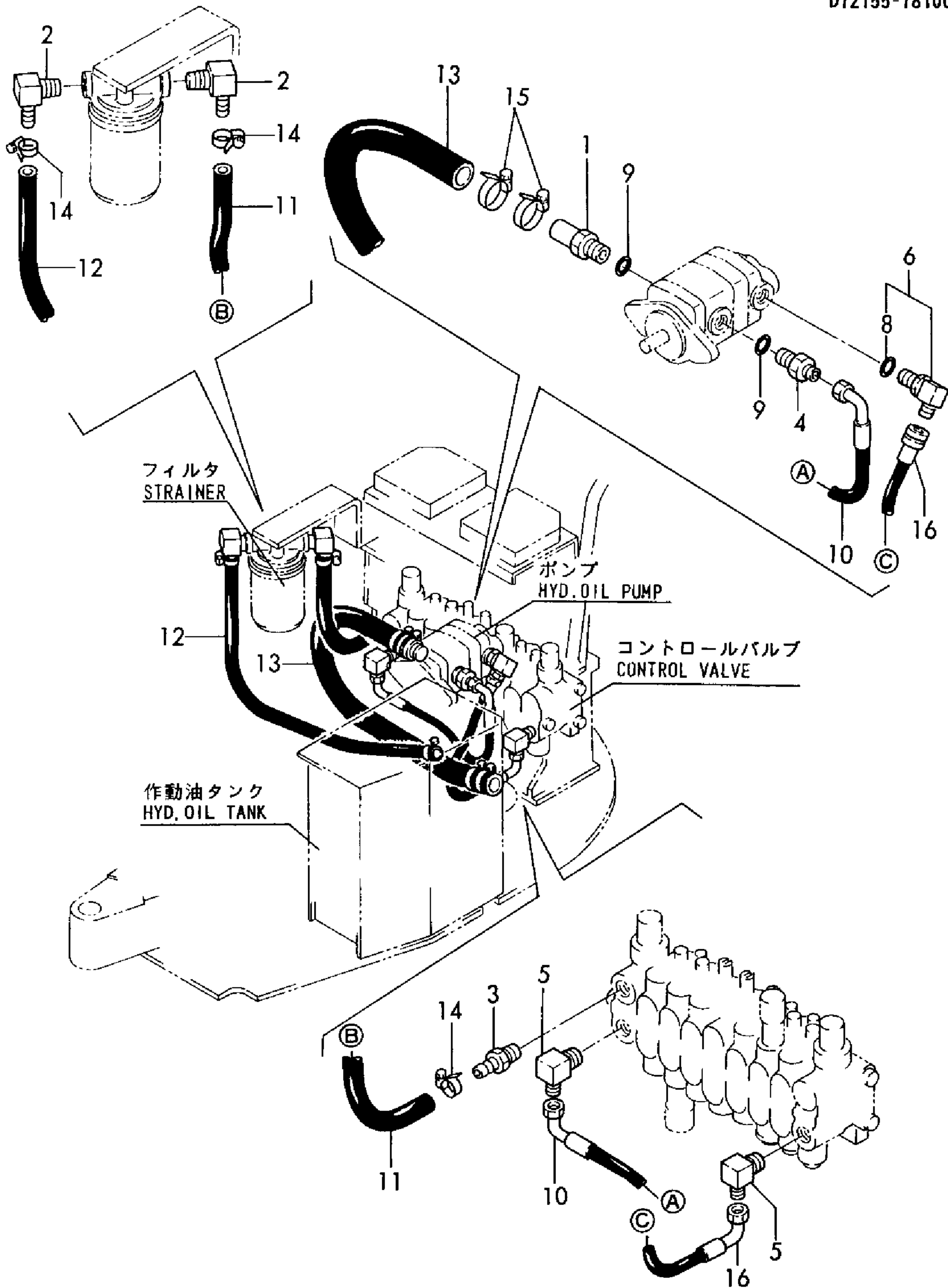


1,1,,172155-76110,, "CONNECTOR PF3/8",1,1,1,,,,,,,,,,,,,
2,1,,172131-76130,, "ELBOW,NIPPLE",2,2,2,,,,,,,,,,,,,
3,1,,172131-76150,, "NIPPLE 3/8 1/2",1,1,1,,,,,,,,,,,,,
4,1,,172124-76160,,CONNECTOR,1,1,1,,,,,,,,,,,,,
5,1,,172312-76290,, "ELBOW 3/8-1/4",2,2,2,,,,,,,,,,,,,
6,1,,172141-76920,, "CONNECTOR 3/8-1/4L",1,1,1,,,,,,,,,,,,,
8,2,,24315-000140,, "O-RING 1B P-14.0",1,1,1,,,,,,,,,,,,,
9,1,,24315-000140,, "O-RING 1B P-14.0",2,2,2,,,,,,,,,,,,,
10,1,,172155-78190,,HOSE,1,1,1,,,,,,,,,,,,,
11,1,,172155-78200,,HOSE,1,1,1,,,,,,,,,,,,,
12,1,,172155-78210,,HOSE,1,1,1,,,,,,,,,,,,,
13,1,,172155-78220,, "HOSE, SUCTION",1,1,1,,,,,,,,,,,,,
14,1,,23000-022000,, "CLAMP 22",4,4,4,,,,,,,,,,,,,
15,1,,23000-035000,, "CLAMP 35",4,4,4,,,,,,,,,,,,,
16,1,,23271-020325,,HOSE,1,1,1,,,,,,,,,,,,,

Fig. 27 油圧配管(タンク-ポンプ-バルブ-リターン) HYD. OIL PIPING(TANK-PUMP-VALVE-RETURN)

(サドウユタンク → ポンプ → コントロールバルブ → リターン)
(HYD.OIL TANK → HYD.OIL PUMP → CONTROL VALVE → RETURN)

SPEC. CODE
D72155-76100
D72155-78100

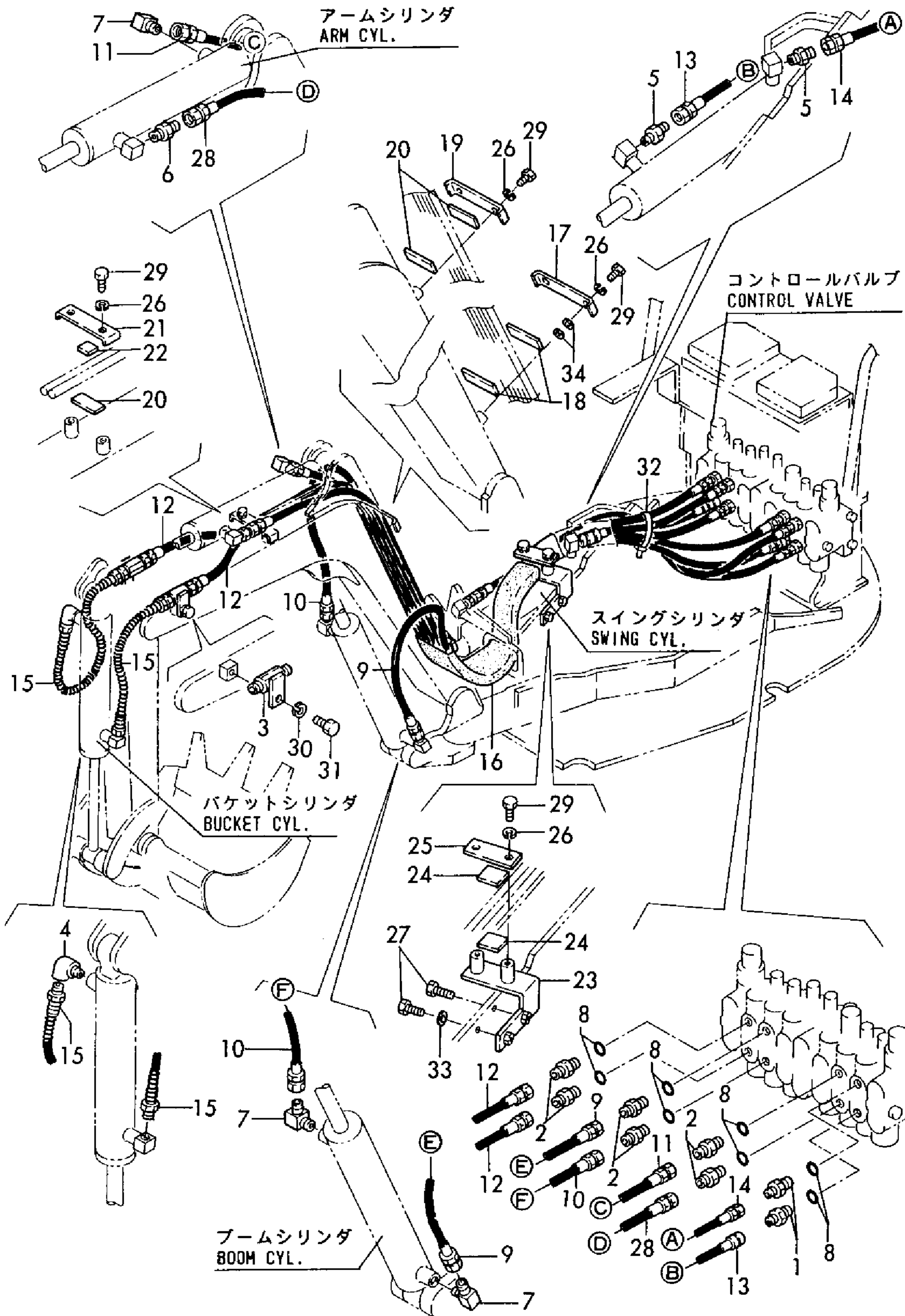


1,1,,172155-76100,, "CONNECTOR PF1/8 PF1/4",2,2,2,,,,,,,,,,,,,
2,1,,172123-76120,, "CONNECTOR PF1/4",6,6,6,,,,,,,,,,,,,
3,1,,172155-76120,, "JOINT PF1/4",2,2,2,,,,,,,,,,,,,
4,1,,172312-76250,, "ELBOW PT1/4",1,1,1,,,,,,,,,,,,,
5,1,,172112-77580,, "JOINT 1/8",2,2,2,,,,,,,,,,,,,
6,1,,23391-020000,, "JOINT RGI1/4",1,1,1,,,,,,,,,,,,,
7,1,,23393-020000,, "JOINT 90RGI1/4",3,3,3,,,,,,,,,,,,,
8,1,,24315-000110,, "O-RING 1B P-11.0",8,8,8,,,,,,,,,,,,,
9,1,,172155-78100,, HOSE,1,1,1,,,,,,,,,,,,,
10,1,,172155-78110,, HOSE,1,1,1,,,,,,,,,,,,,
11,1,,172155-78120,, HOSE,1,1,1,,,,,,,,,,,,,
12,1,,172155-78130,, HOSE,2,2,2,,,,,,,,,,,,,
13,1,,172155-78160,, HOSE,1,1,1,,,,,,,,,,,,,
14,1,,172155-78170,, HOSE,1,1,1,,,,,,,,,,,,,
15,1,,172155-78180,, HOSE,2,2,2,,,,,,,,,,,,,
16,1,,172155-78230,, "COVER, HOSE",1,1,1,,,,,,,,,,,,,
17,1,,172155-78320,, "PLATE A, CLAMP",1,1,1,,,,,,,,,,,,,
18,1,,172155-78330,, "CUSHION A, HOSE",2,2,2,,,,,,,,,,,,,
19,1,,172155-78350,, "PLATE B, CLAMP",1,1,1,,,,,,,,,,,,,
20,1,,172155-78360,, "CUSHION B, HOSE",3,3,3,,,,,,,,,,,,,
21,1,,172155-78370,, "CLAMP C, HOSE",1,1,1,,,,,,,,,,,,,
22,1,,172155-78390,, "CUSHION C",1,1,1,,,,,,,,,,,,,
23,1,,172155-78400,, BRACKET,1,1,1,,,,,,,,,,,,,
24,1,,172155-78430,, "CUSHION, HOSE",2,2,2,,,,,,,,,,,,,
25,1,,172155-78450,, "PLATE, CLAMP",1,1,1,,,,,,,,,,,,,
26,1,,22217-080000,, "SPRING WASHER 8",8,8,8,,,,,,,,,,,,,
27,1,,26013-080302,, "BOLT M 8X 30",2,2,2,,,,,,,,,,,,,
28,1,,172155-78240,, HOSE,1,1,1,,,,,,,,,,,,,
29,1,,26116-080162,, "BOLT M 8X 16 PLATED",8,8,8,,,,,,,,,,,,,
30,1,,22217-100000,, "SPRING WASHER 10",2,2,2,,,,,,,,,,,,,
31,1,,26116-100162,, "BOLT M10X 16 PLATED",2,2,2,,,,,,,,,,,,,
32,1,,172122-79930,, CLAMP,1,1,1,,,,,,,,,,,,,
32-1,1,,172122-79940,, CLAMP,1,1,1,,,R,,,M00544,,M00544,,M00544,,,,,
33,1,,22137-080000,, "WASHER 8, POLISHED",1,1,1,,,,,,,,,,,,,
34,1,,22117-080000,, "WASHER 8",4,4,4,,,,,1,,,,,,,,,,,,

Fig. 28 油圧配管(バルブ-ブーム, スイング) HYD. OIL PIPING (VALVE-BOOM, SWING)

SPEC. CODE
D72155-76100
D72155-78100

(コントロールバルブ → ブーム → スイングシリンダ)
CONTROL VALVE → BOOM → SWING CYL.

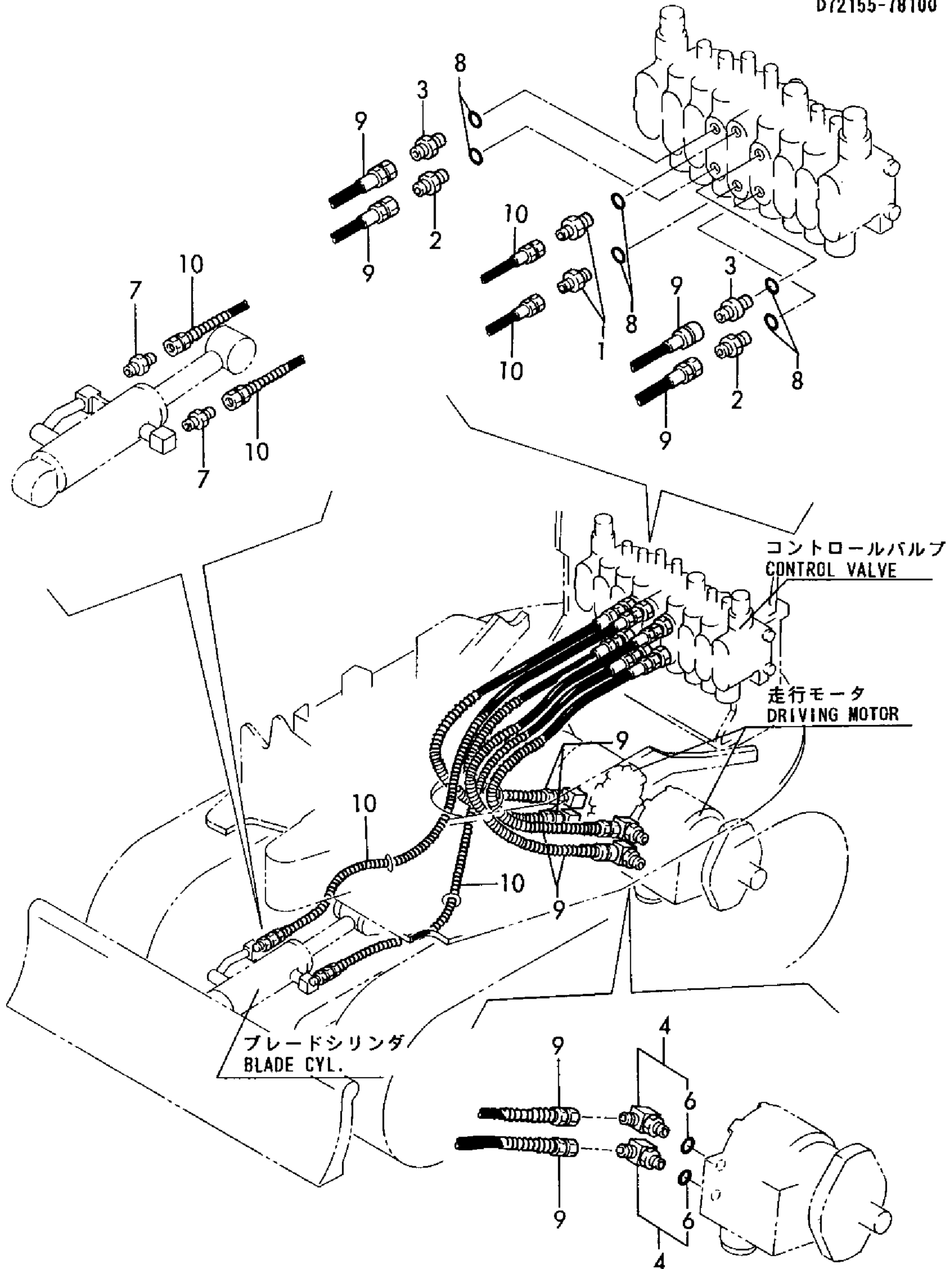


1,1,,172155-76100,, "CONNECTOR PF1/8 PF1/4",2,2,2,,,,,,,,,,,,,
2,1,,172123-76120,, "CONNECTOR PF1/4",2,2,2,,,,,,,,,,,,,
3,1,,172155-76150,, JOINT,2,2,2,,,,,,,,,,,,,
4,1,,172141-76180,, CONNECTOR,4,4,4,,,,,,,,,,,,,
6,2,,24315-000110,, "O-RING 1B P-11.0",4,4,4,,,,,,,,,,,,,
7,1,,172112-77580,, "JOINT 1/8",2,2,2,,,,,,,,,,,,,
8,1,,24315-000110,, "O-RING 1B P-11.0",6,6,6,,,,,,,,,,,,,
9,1,,172155-78140,, HOSE,4,4,4,,,,,,,,,,,,,
10,1,,172155-78150,, HOSE,2,2,2,,,,,,,,,,,,,

Fig. 29 油圧配管(バルブ-走行, ブレード) HYD. OIL PIPING (VALVE-DRIVING, BLADE)

(コントロールバルブ→ソウコウモータ, ブレードシリンダ)
(CONTROL VALVE → DRIVING MOTOR, BLADE CYL.)

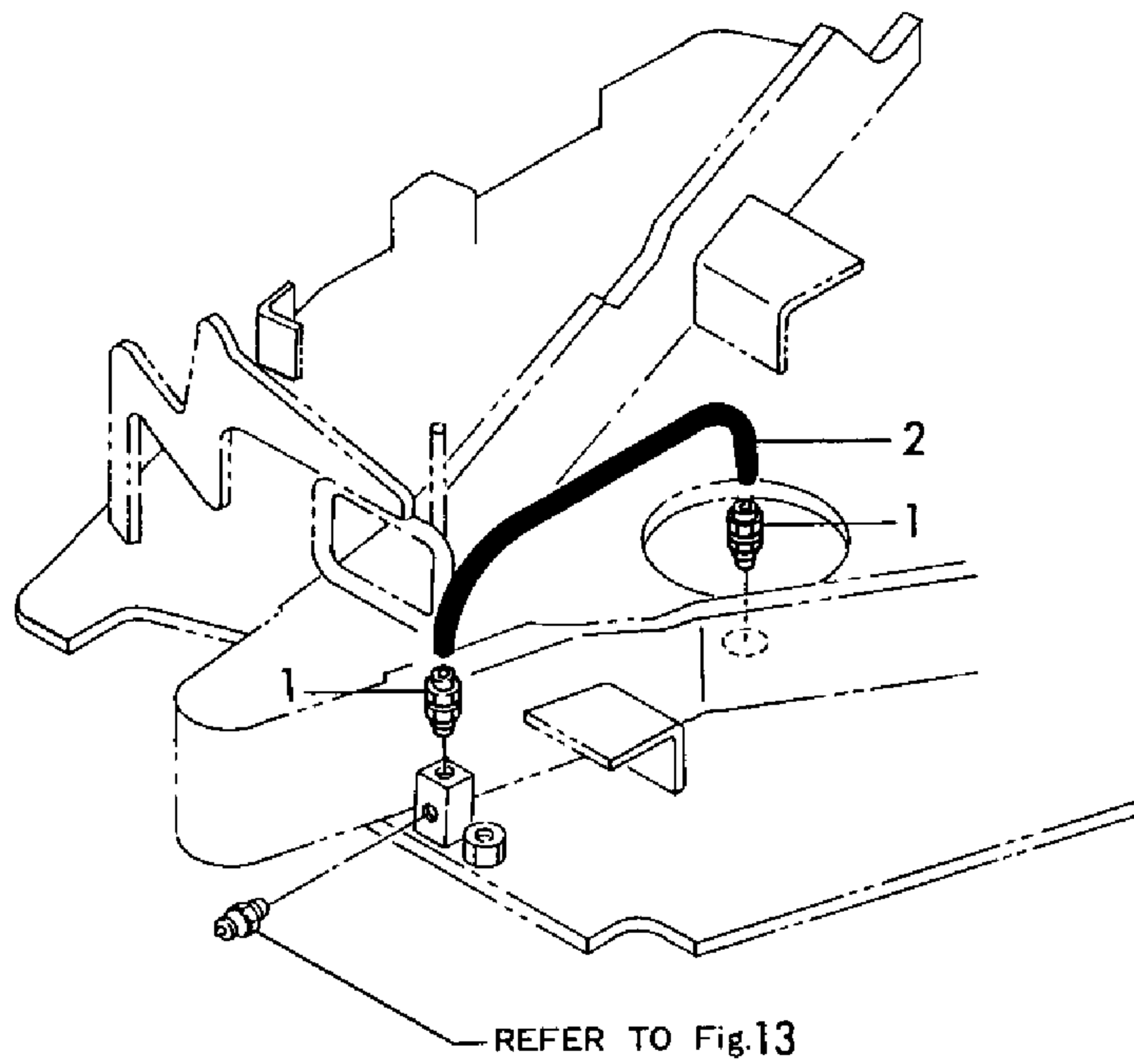
SPEC. CODE
D72155-76100
D72155-78100



1,1,,172141-77800,, "JOINT, GREASE",2,2,2,,,,,,,,,,,,,
2,1,,172156-78270,,HOSE,1,1,1,,,,,,,,,,,,,

Fig. 30 遠隔グリーシング
GREASING

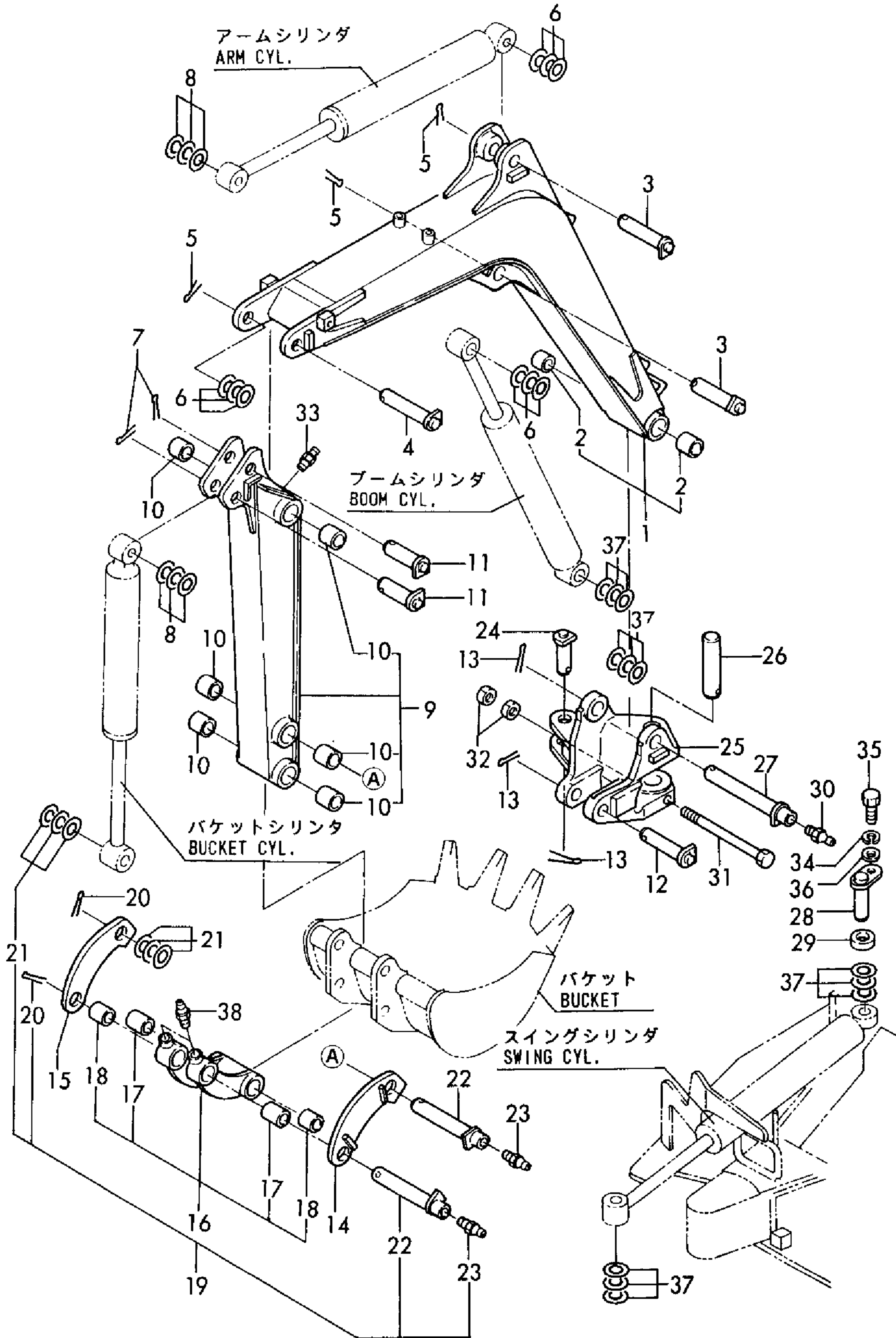
SPEC. CODE
D72155-77800



1A,1,,172155-81100,, "BOOM ASSY (GREEN)",1,,,,,,,,,,,,,
1B,1,,172155-81100-1,, "BOOM ASSY (PINK)",,1,,,,,,,,,,,,,
1C,1,,172155-81100-3,, "BOOM ASSY (YELLOW)",,1,,,,,,,,,,,,,
2,2,,172155-81260,, "BUSH 20X26X30",2,2,2,,,,,,,,,,,,,
3,1,,172155-81290,, "PIN 20X77A, BOOM",2,2,2,,,,,,,,,,,,,
4,1,,172155-81320,, "PIN 20X104A, BOOM",1,1,1,,,,,,,,,,,,,
5,1,,172155-81390,, "COTTER PIN 6X 35",3,3,3,,,,,,,,,,,,,
6,1,,172155-81400,, SHIM,3,3,3,,,,,,,,,,,,,
7,1,,172155-81390,, "COTTER PIN 6X 35",2,2,2,,,,,,,,,,,,,
8,1,,172155-81400,, SHIM,2,2,2,,,,,,,,,,,,,
9A,1,,172155-82100,, "ARM ASSY (GREEN)",1,,,,,,,,,,,,,
9A-1,1,,172155-82101,, "ARM ASSY (GREEN)",1,,,,,S,,,,M00531,,,,,
9B,1,,172155-82100-1,, "ARM ASSY (PINK)",,1,,,,,,,,,,,,,
9B-1,1,,172155-82101-1,, "ARM ASSY (PINK)",,1,,,,,S,,,,M00531,,,,,
9C,1,,172155-82101-3,, "ARM ASSY (YELLOW)",,1,,,,,,,,,,,,,
10,2,,172155-81260,, "BUSH 20X26X30",6,6,6,,,,,,,,,,,,,
11,1,,172155-82180,, "PIN 20X53, ARM",2,2,2,,,,,,,,,,,,,
12,1,,172155-81290,, "PIN 20X77A, BOOM",1,1,1,,,,,,,,,,,,,
13,1,,172155-81390,, "COTTER PIN 6X 35",3,3,3,,,,,,,,,,,,,
14A,1,,172155-84400,, "ARM(L),BUCKET(GREEN)",1,,,,,,,,,,,,,
14B,1,,172155-84400-1,, "ARM(L),BUCKET(PINK)",,1,,,,,,,,,,,,,
14C,1,,172155-84400-3,, "ARM(L),BUCKET(YELLOW)",,1,,,,,,,,,,,,,
15A,1,,172155-84410,, "ARM(R),BUCKET(GREEN)",1,,,,,,,,,,,,,
15B,1,,172155-84410-1,, "ARM(R),BUCKET(PINK)",,1,,,,,,,,,,,,,
15C,1,,172155-84410-3,, "ARM(R),BUCKET(YELLOW)",,1,,,,,,,,,,,,,
16A,1,,172155-84420,, "LINK,BUCKET (GREEN)",1,,,,,,,,,,,,,
16B,1,,172155-84420-1,, "LINK,BUCKET (PINK)",,1,,,,,,,,,,,,,
16C,1,,172155-84420-3,, "LINK,BUCKET (YELLOW)",,1,,,,,,,,,,,,,
17,2,,172155-81260,, "BUSH 20X26X30",2,2,2,,,,,,,,,,,,,
18,2,,172155-84470,, "BUSH 20X26X25",2,2,2,,,,,,,,,,,,,
19,1,,172155-99450,, "PIN KIT, BUCKET",2,2,2,,,,,W,,,,MXXX,,MXXX,,MXXX,,,,,
20,2,,172155-81390,, "COTTER PIN 6X 35",2,2,2,,,,,,,,,,,,,
21,2,,172155-81400,, SHIM,2,2,2,,,,,,,,,,,,,
22,1,,172155-84480,, "PIN 20X104B",2,2,2,,,,,,,,,,,,,
23,1,,24761-060000,, "NIPPLE MT6X1, GREASE",2,2,2,,,,,,,,,,,,,
24,1,,172155-82180,, "PIN 20X53, ARM",1,1,1,,,,,,,,,,,,,
25,1,,172155-83100,, "BRACKET, BOOM",1,1,1,,,,,,,,,,,,,
26,1,,172155-83110,, "PIN 25X121, BRACKET",1,1,1,,,,,,,,,,,,,
27,1,,172155-83120,, "PIN 20X134, BRACKET",1,1,1,,,,,,,,,,,,,
28,1,,172155-83140,, "PIN 20X 65",1,1,1,,,,,,,,,,,,,
29,1,,172155-83170,, SPACER,1,1,1,,,,,,,,,,,,,
30,1,,24761-060000,, "NIPPLE MT6X1, GREASE",1,1,1,,,,,,,,,,,,,
31,1,,26116-080752,, "BOLT M 8X 75 PLATED",1,1,1,,,,,,,,,,,,,
32,1,,26756-080002,, "LOCK NUT M 8 PLATED",2,2,2,,,,,,,,,,,,,
33,1,,24761-020000,, "NIPPLE PT1/8,GREASE",1,1,1,,,,,,,,,,,,,
33-1,1,,24761-060000,, "NIPPLE MT6X1,
GREASE",1,1,1,,,,,S,,,,M00531,,M00531,,M00531,,,,,
34,1,,22217-100000,, "SPRING WASHER 10",1,1,1,,,,,,,,,,,,,
35,1,,26116-100162,, "BOLT M10X 16 PLATED",1,1,1,,,,,,,,,,,,,
36,1,,22137-100000,, "WASHER 10,POLISHED",1,1,1,,,,,,,,,,,,,
37,1,,172155-81400,, SHIM,4,4,4,,,,,,,,,,,,,
38,1,,24761-060000,, "NIPPLE MT6X1, GREASE",2,2,2,,,,,,,,,,,,,

Fig. 31 ブーム & アーム
BOOM & ARM

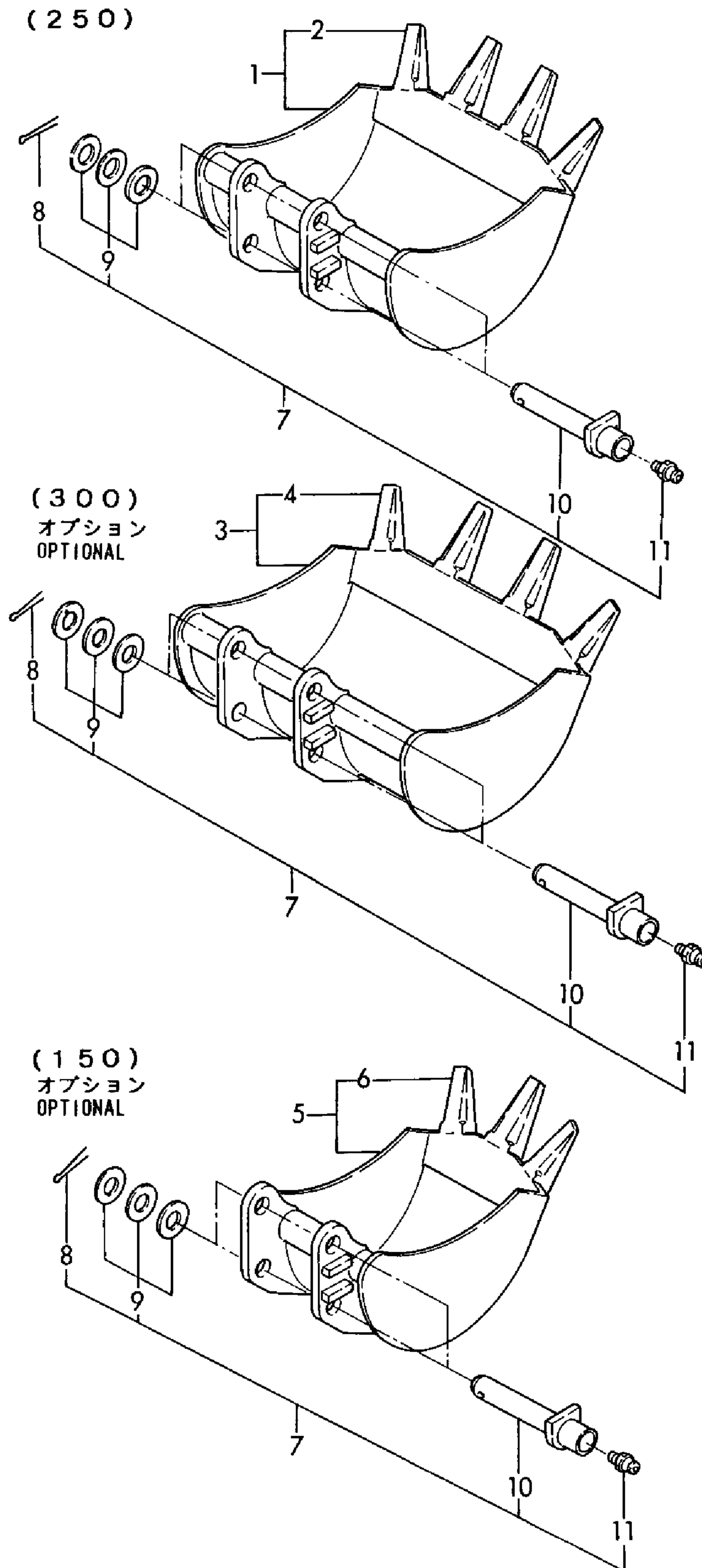
SPEC. CODE
D72155-81100
D72155-81200
D72155-81300
D72155-82300



1,1,,172155-86200,, "BUCKET ASSY 250",1,1,1,,,,,,,,,,,,,
2,2,,172155-86160,, TEETH,4,4,4,,,,,,,,,,,,,
3,1,,172155-86100,, "BUCKET ASSY 300",1,1,1,,,,,1,,,,,,,,,,,,,
4,2,,172155-86160,, TEETH,4,4,4,,,,,,,,,,,,,
5,1,,172155-86300,, "BUCKET ASSY 150",1,1,1,,,,,1,,,,,,,,,,,,,
6,2,,172155-86160,, TEETH,3,3,3,,,,,,,,,,,,,
7,1,,172155-99450,, "PIN KIT, BUCKET",2,2,2,,,,,W,,,MXXX,,MXXX,,MXXX,,,,,
8,2,,172155-81390,, "COTTER PIN 6X 35",2,2,2,,,,,,,,,,,,,
9,2,,172155-81400,, SHIM,2,2,2,,,,,,,,,,,,,
10,2,,172155-84480,, "PIN 20X104B",2,2,2,,,,,,,,,,,,,
11,2,,24761-060000,, "NIPPLE MT6X1, GREASE",2,2,2,,,,,,,,,,,,,

Fig. 32 バケット
BUCKET

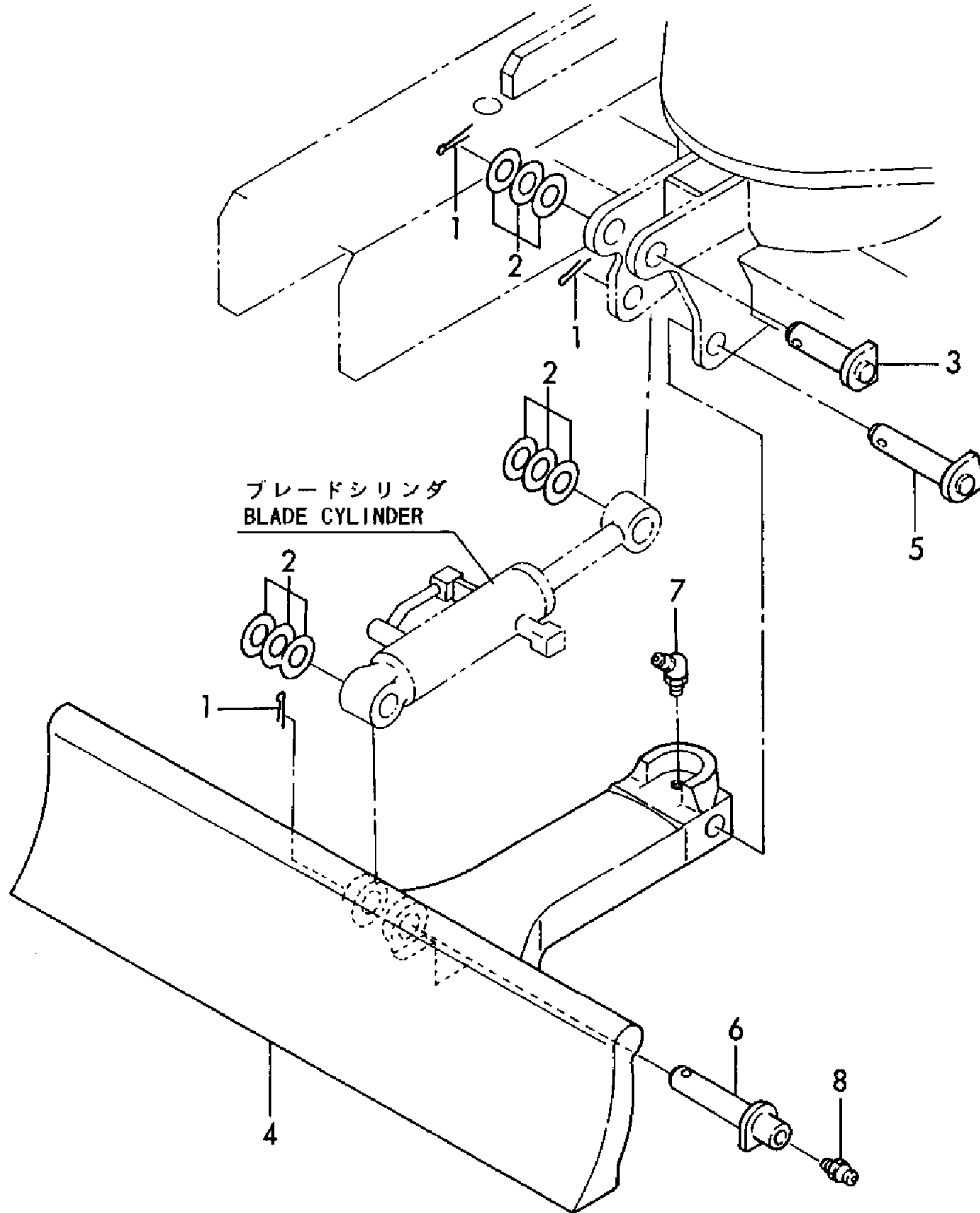
SPEC. CODE
D72155-81400
D72155-81410
D72155-81420



1,1,,172155-81390,, "COTTER PIN 6X 35",3,3,3,,,,,,,,,,,,,
2,1,,172155-81400,, SHIM,3,3,3,,,,,,,,,,,,,
3,1,,172155-82180,, "PIN 20X53, ARM",1,1,1,,,,,,,,,,,,,
4,1,,172155-94110,, BLADE,1,1,1,,,,,,,,,,,,,
5,1,,172155-94120,, "PIN 20X97.5",1,1,1,,,,,,,,,,,,,
6,1,,172155-94140,, "PIN 20X77B",1,1,1,,,,,,,,,,,,,
7,1,,24761-040000,, "NIPPLE B,GREASE",1,1,1,,,,,,,,,,,,,
8,1,,24761-060000,, "NIPPLE MT6X1, GREASE",1,1,1,,,,,,,,,,,,,

Fig. 33 ブレード
BLADE

SPEC. CODE
D72155-94100



0,Y00K2631
1,001,, "VEHICLE B03"
2,1,, LABEL, "B03 G", "B03 P", "B03 Y",
2,2,, "LABEL(FRANCE,GERMANY)", "B03 G", "B03 P", "B03 Y",
2,3,, LABEL(ENGLAND), "B03 G", "B03 P", "B03 Y",
2,4,, "ENGINE MOUNT&ENGINE ACCESSORY", "B03 G", "B03 P", "B03 Y",
2,5,, "MUFFLER & DUCT", "B03 G", "B03 P", "B03 Y",
2,6,, "FUEL TANK & FUEL LINE", "B03 G", "B03 P", "B03 Y",
2,7,, BATTERY, "B03 G", "B03 P", "B03 Y",
2,8,, "ACCELARATOR & ELECTRIC PART", "B03 G", "B03 P", "B03 Y",
2,9,, "IDLER,TRACK ROLLER & CRAWLER", "B03 G", "B03 P", "B03 Y",
2,10,, "CONTROL EQUIPMENT (OPERATION)", "B03 G", "B03 P", "B03 Y",
2,11,, "CONTROL EQUIPMENT (DRIVE,BLADE", "B03 G", "B03 P", "B03 Y",
2,12,, "CONTROL EQUIP.(STOPPER & LINK.", "B03 G", "B03 P", "B03 Y",
2,13,, FRAME, "B03 G", "B03 P", "B03 Y",
2,14,, "TURNING EQUIP.(BEARING & LOCK)", "B03 G", "B03 P", "B03 Y",
2,15,, "COVER & BONNET", "B03 G", "B03 P", "B03 Y",
2,16,, "HYD. OIL PUMP & PUMP MOUNT", "B03 G", "B03 P", "B03 Y",
2,17,, "BOOM CYLINDER", "B03 G", "B03 P", "B03 Y",
2,18,, "ARM CYLINDER", "B03 G", "B03 P", "B03 Y",
2,19,, "BUCKET CYLINDER", "B03 G", "B03 P", "B03 Y",
2,20,, "SWING CYLINDER", "B03 G", "B03 P", "B03 Y",
2,21,, "BLADE CYLINDER", "B03 G", "B03 P", "B03 Y",
2,22,, "DRIVING MOTOR", "B03 G", "B03 P", "B03 Y",
2,23,, "HYD. OIL TANK", "B03 G", "B03 P", "B03 Y",
2,24,, "CONTROL VALVE (P PORT & SWING)", "B03 G", "B03 P", "B03 Y",
2,25,, "CONTROL VALVE (DRIVE & BLADE)", "B03 G", "B03 P", "B03 Y",
2,26,, "CONTROL VALVE (ARM,B00M & B.", "B03 G", "B03 P", "B03 Y",
2,27,, "HYD.OIL PIPING (TANK-PUMP-V-R)", "B03 G", "B03 P", "B03 Y",
2,28,, "HYD.OIL PIPING (VALVE-BOOM,S.)", "B03 G", "B03 P", "B03 Y",
2,29,, "HYD.OIL PIPING (VALVE-D,B.)", "B03 G", "B03 P", "B03 Y",
2,30,, GREASING, "B03 G", "B03 P", "B03 Y",
2,31,, "BOOM & ARM", "B03 G", "B03 P", "B03 Y",
2,32,, BUCKET, "B03 G", "B03 P", "B03 Y",
2,33,, BLADE, "B03 G", "B03 P", "B03 Y",