

PARTS CATALOG

HD85V4

SERIAL No. WK020109 - WK029999

MODEL : HD85V4

SERIAL NO. : WK020109 - WK029999

CONTENTS

DESCRIPTION	SHEET No.	PAGE
0 LIST OF CONSUMABLES LIST OF CONSUMABLES	0-0	1
1 LOWER MACHINE		
LOWER MACHINE ASS'Y	1-1	3
CRAWLER SHOE ASS'Y	1-2	5
CRAWLER SHOE ADJ. DEVICE	1-3	7
FRONT IDLER ASS'Y	1-4	9
LOWER ROLLER ASS'Y	1-5	11
UPPER ROLLER ASS'Y	1-6	13
LOWER TRAVEL PIPING ASS'Y	1-7	15
2 TURNTABLE		
TURNTABLE & SWING BEARING ASS'Y	2-1	17
3 SWING DRIVE DEVICE		
SWING DRIVE DEVICE	3-1	19
4 HYDRAULIC PIPING		
RETURN & SUCTION PIPING ASS'Y	4-1	21
SWING & TRAVEL PIPING ASS'Y	4-2	24
PUMP DISCHARGE & BOOM SWING PIPING ASS'Y	4-3	27
CONTROL PIPING ASS'Y	4-4	29
CONTROL PIPING ASS'Y (A-D & A, B, G CHANGE)	4-4[A]	33
CONTROL PIPING ASS'Y (FOR A, F CHANGE)	4-4[B]	37
5 HYDRAULIC INSTRUMENT		
TRAVEL MOTOR ASS'Y	5-1	41
SWING MOTOR ASS'Y	5-2	44
ROTARY JOINT ASS'Y	5-3	47
CONTROL VALVE ASS'Y	5-4	49
REMOTE CONTROL VALVE ASS'Y	5-5	53
HYDRAULIC OIL TANK ASS'Y	5-6	55
OIL PUMP ASS'Y	5-7	57
BOOM CYLINDER ASS'Y	5-8	59
ARM CYLINDER ASS'Y	5-9	61
BUCKET CYLINDER ASS'Y	5-10	63

MODEL : HD85V4

SERIAL NO. : WK020109 – WK029999

CONTENTS

DESCRIPTION	SHEET No.	PAGE
BOOM SWING CYLINDER ASS'Y	5-11	65
BLADE CYLINDER ASS'Y	5-12	67
PILOT VALVE ASS'Y (TRAVEL)	5-13	69
PILOT VALVE ASS'Y	5-14	71
MULTIPLE VALVE ASS'Y (FOR A-D CHANGE)	5-15	73
MULTIPLE VALVE ASS'Y (FOR A, B, G CHANGE)	5-15[A]	75
MULTIPLE VALVE ASS'Y (FOR A, F CHANGE)	5-15[B]	77
SHOCKLESS VALVE ASS'Y	5-16	79
SOLENOID VALVE ASS'Y	5-17	81
6 OPERATING CONTROLS		
TRAVEL LEVER ASS'Y	6-1	83
CONTROL LEVER ASS'Y	6-2	85
BLADE & BOOM SWINGCONTROL ASS'Y	6-3	87
7 POWER UNIT		
ENGINE & ACCESSORIES	7-1	89
AIR CLEANER & MUFFLER ASS'Y	7-2	92
OIL PUMP DRIVE DEVICE	7-3	95
FUEL TANK & PIPING ASS'Y	7-4	97
FUEL PUMP ASS'Y	7-5	99
8 CAB & RELATED PARTS		
COVER ASS'Y(1)	8-1	101
COVER ASS'Y(2)	8-2	104
NOISE ABSORBENT ASS'Y	8-3	107
OPERATOR ROOM ASS'Y (1)	8-4	110
OPERATOR ROOM ASS'Y (2)	8-5	113
OPERATOR ROOM ASS'Y (3)	8-6	116
OPERATOR ROOM ASS'Y (4)	8-7	119
OPERATOR SEAT & MAT ASS'Y	8-8	122
COUNTER WEIGHT ASS'Y	8-9	125
NAME PLATE ASS'Y(FOR JAPANESE)	8-10	127
NAME PLATE ASS'Y (FOR ENGLISH)	8-10[A]	129
NAME PLATE ASS'Y (FOR FRENCH)	8-10[B]	131
NAME PLATE ASS'Y (FOR ITALIAN)	8-10[C]	133
NAME PLATE ASS'Y (FOR GERMAN)	8-10[D]	135
NAME PLATE ASS'Y (FOR DANISH)	8-10[E]	137

MODEL : HD85V4

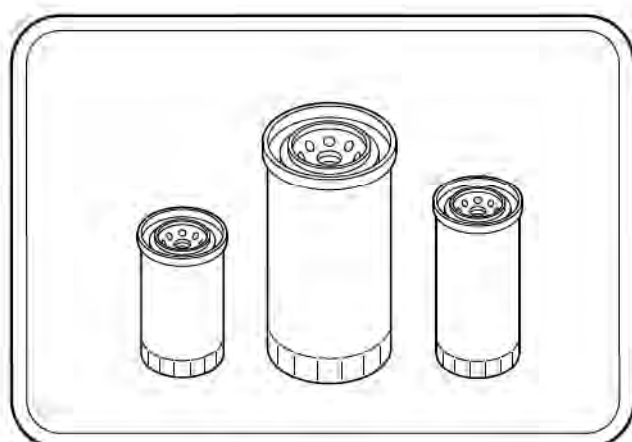
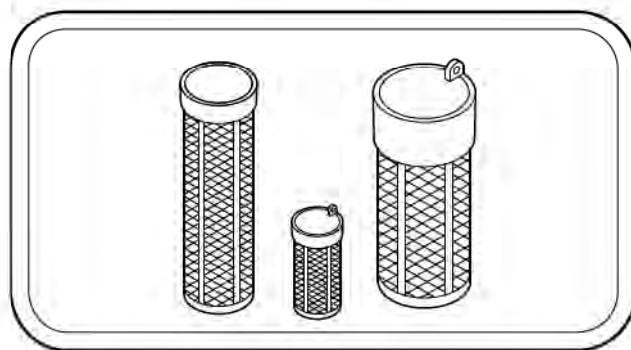
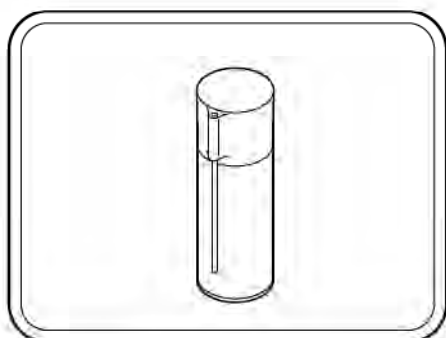
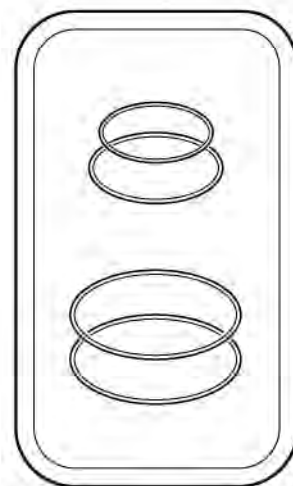
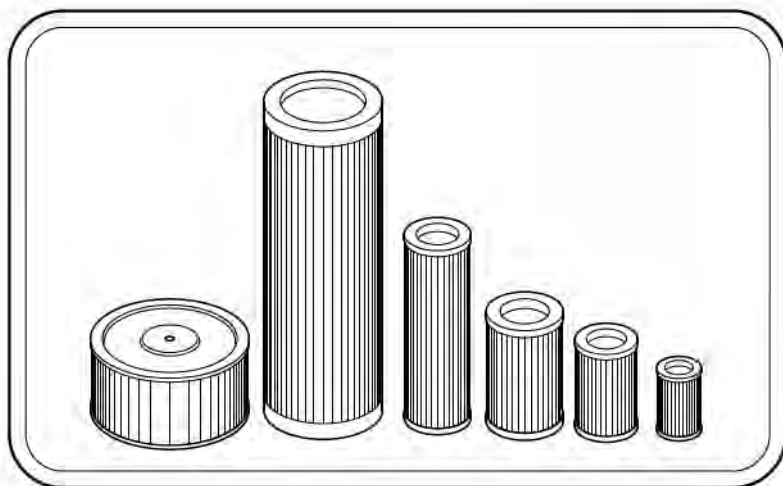
SERIAL NO. : WK020109 – WK029999

CONTENTS

DESCRIPTION	SHEET No.	PAGE
NAME PLATE ASS'Y (FOR DUTCH)	8-10[F]	139
NAME PLATE ASS'Y (FOR SPANISH)	8-10[G]	141
9 ELECTRIC SYSTEM		
ELECTRIC SYSTEM	9-1	143
INSTRUMENT PANEL ASS'Y	9-2	146
CAR HEATER ASS'Y	9-3	150
10 TOOLS & ACCESSORIES		
TOOLS & ACCESSORIES	10-1	153
11 HOE ATTACHMENT		
HOE ATTACHMENT ASS'Y	11-1	155
BOOM SWING ASS'Y	11-2	158
HOE BUCKET ASS'Y	11-3	161
HOE ATTACHMENT PIPING ASS'Y	11-4	163
12 BLADE ATTACHMENT		
BLADE ATTACHMENT ASS'Y	12-1	165
BLADE PIPING ASS'Y	12-2	167
15 OPTION SPECIFICATION		
FIRST SPARE PIPING ASS'Y	15-1	169
SECOND SPARE PIPING ASS'Y	15-2	171
THIRD SPARE PIPING ASS'Y	15-3	174
AIR CONDITIONER ASS'Y (1)	15-4	177
AIR CONDITIONER ASS'Y (2)	15-5	179
AIR CONDITIONER PIPING ASS'Y	15-6	181
ACCUMULATOR ASS'Y	15-7	183
MIRROR ASS'Y	15-8	185
TRAVEL ALARM DEVICE	15-9	187
IMMOBILIZER ASS'Y	15-10	189
LIGHT ASS'Y	15-11	191
GUARD ASS'Y	15-12	193
HOLDING VALVE PIPING ASS'Y	15-13	195
HOLDING VALVE ASS'Y	15-14	197

LIST OF CONSUMABLES

消耗品リスト



SHALL-000000-1

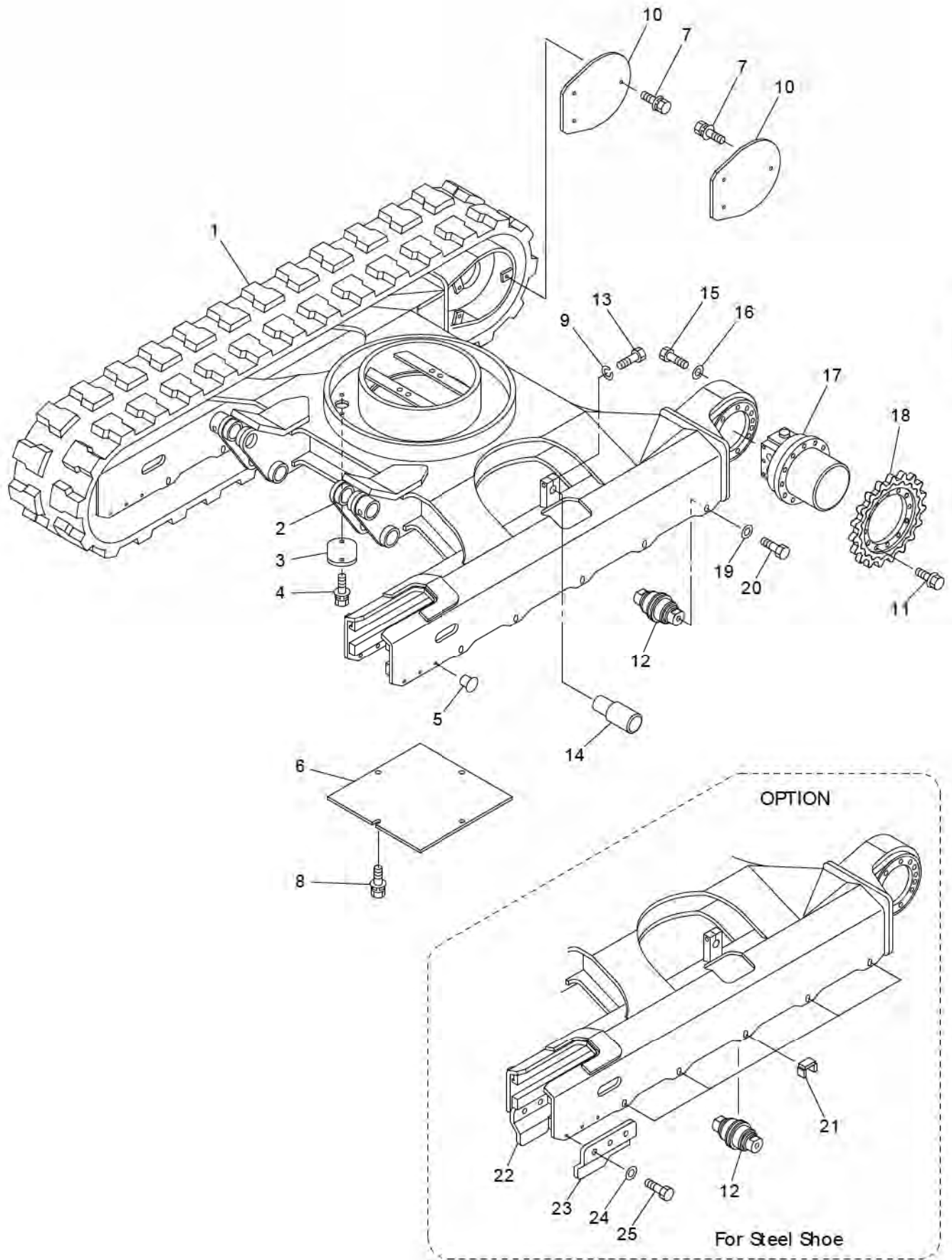
KATO HICOM

LIST OF CONSUMABLES

MODEL HD85V4

SHEET No 0-0

KEY No.	SUP.	PART No.	DESCRIPTION	Q'TY	CHAN.	SERIAL No.	REMARKS
			LIST OF CONSUMABLES				
1		0753 265 UA	Vaive, Check (Grease Up)	1		WK020001-	Sh. No. 1-3
2		0759 106 UA	Strainer, Suction	1		WK020001-	Sh. No. 5-6
3		0759 116 03	Cartridge, Return Filter	1		WK020001-	Sh. No. 5-6
4		0775 552 05	Hose, Radiator	1		WK020001-	Sh. No. 7-1
5		0775 552 02	Hose, Radiator	1		WK020001-	Sh. No. 7-1
6		0745 268 03	Element, Air Cleaner	1		WK020001-	Sh. No. 7-2
7		0745 261 02	Element, Air Cleaner (Inner)	1		WK020001-	Sh. No. 7-2
8		0729 910 73	Cap, Fuel	1		WK020001-	Sh. No. 7-4
9		0820 215 10	Relay, Flip-Flop	1		WK020001-	Sh. No. 9-1
10		0858 306 03	Switch Ass'y, Starter	1		WK020001-	Sh. No. 9-2
10-1		0858 306 04	Switch Ass'y, Starter	1		WK020001-	Sh. No. 9-2
11		0820 215 07	Relay	4		WK020001-	Sh. No. 9-2
12		4013 693 00	Pin, Bucket	2		WK020001-	Sh. No. 11-1
13		4511 501 01	Ring, O (For Bucket)	4		WK020001-	Sh. No. 11-1
14		0650 207 02	Tooth, Bucket	AR		WK020001-	25S, Sh. No. 11-3
15		0650 207 03	Pin, Lock	AR		WK020001-	25-30-PN, Sh. No. 11-3
16		0650 207 04	Pin, Rubber	AR		WK020001-	25-30-LK, Sh. No. 11-3
17		4123 012 00	Coutter, Side (R.H.)	1		WK020001-	Sh. No. 11-3
18		4123 013 00	Coutter, Side (L.H.)	1		WK020001-	Sh. No. 11-3
19		0558 160 50	Bolt, Treatment	8		WK020001-	Sh. No. 11-3
20		0584 160 00	Nut, Treatment	8		WK020001-	Sh. No. 11-3
21		0595 160 00	Washer, Treatment	8		WK020001-	Sh. No. 11-3
22		0755 849 91	SEAL KIT Rotary Joint	1		WK020001-	Sh. No. 5-3
23		0782 649 93	Boom Cylinder (Head Side)	1		WK020001-	Sh. No. 5-8
24		0782 648 93	Arm Cylinder (Head Side)	1		WK020001-	Sh. No. 5-9
25		0782 650 93	Bucket Cylinder (Head Side)	1		WK020001-	Sh. No. 5-10
26		0782 651 93	Boom Swing Cylinder (Head Side)	1		WK020001-	Sh. No. 5-11
27		0782 646 93	Blade Cylinder (Head Side)	1		WK020001-	Sh. No. 5-12
			ENGINE Parts (4TNV98C-VIK)				
28		Y129A00 55800	Cartridge, Fuel Filter	1		WK020001-	Sh. No. 7-4
29		Y129A00 55730	Element, Pre Filter	1		WK020001-	Engine P/C
30		Y129150 35153	Filter, Oil	1		WK020001-	Engine P/C
31		Y119225 52102	Pump, Fuel	1		WK020001-	Sh. No. 7-4
32		Y129956 42290	Belt, V	1		WK020001-	A41.5
34		Y121850 49811	Thermostat	1		WK020001-	Engine P/C
35		Y121850 49550	Packing (For Thermostat)	1		WK020001-	Engine P/C
36		Y119761 39450	Switch, Oil Pressure	1		WK020001-	Engine P/C
37		Y171056 49351	Sensor, Thermo	1		WK020001-	Engine P/C
38		5988 009 00	*****	1		WK020001-	400g × 20
39		5988 005 60	*****	1		WK020109-	スプレー
39-1		5988 005 61	*****	1		WK020109-	4k 缶
40		5988 005 57	*****	1		WK020109-	スプレー
40-1		5988 005 58	*****	1		WK020109-	4k 缶
41		ZG10100	*****	1		WK020001-	38種-890ヶ



80V4-010100-1

KATO HICOM

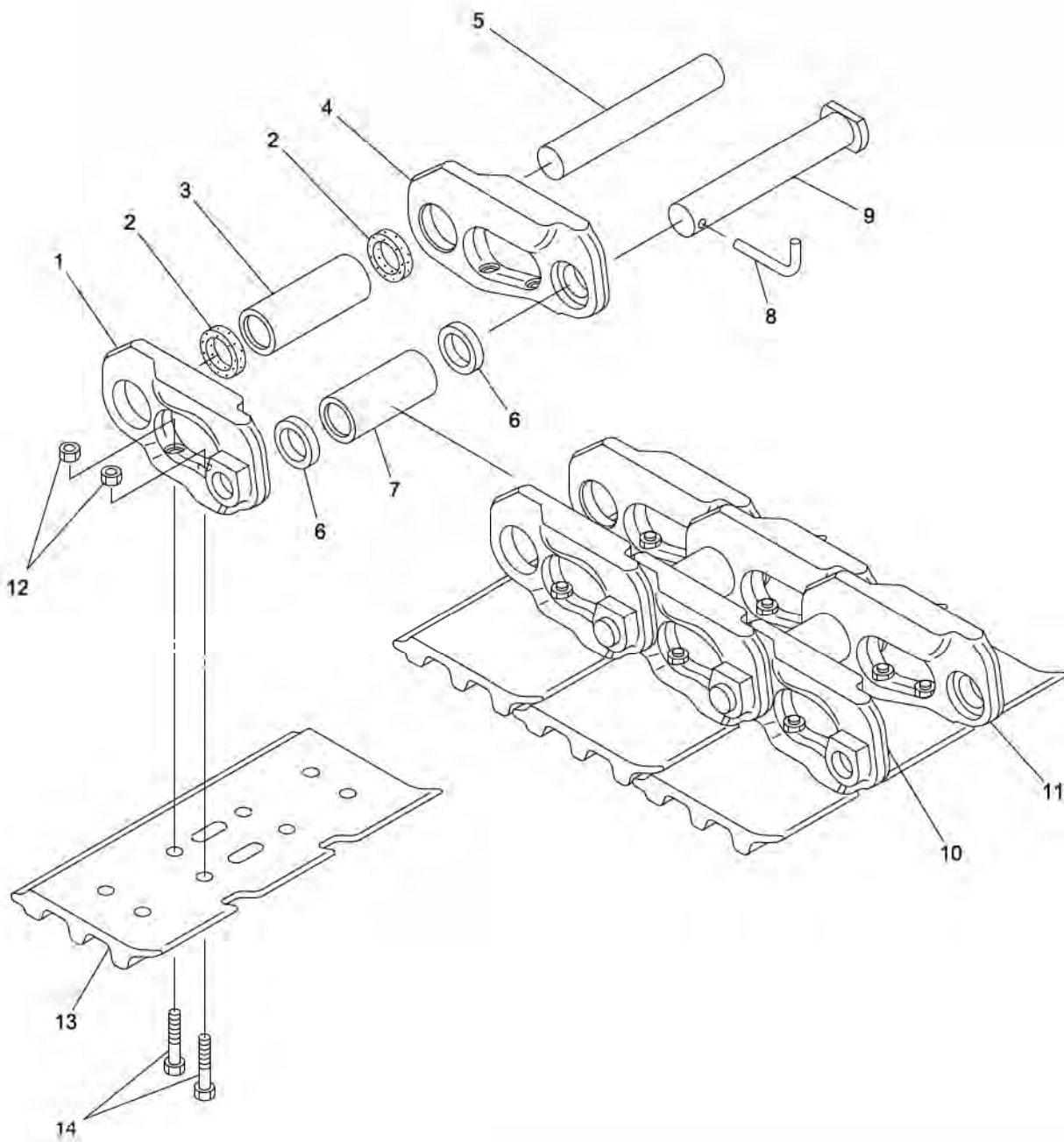
LOWER MACHINE ASS'Y

MODEL HD85V4

SHEET No 1-1

KEY No.	SUP.	PART No.	DESCRIPTION	Q'TY	CHAN.	SERIAL No.	REMARKS
0	×	**** ** *	Lower Machine Ass'y	1		WK020001-	
1		0653 920 UA	* Shoe, Rubber Crawler	2		WK020001-	
1-1	#	0653 924 UA	* Shoe Ass'y, Crawler (Steel)	2		WK020001-	Sh. No. 1-2
2	×	**** ** *	* Frame, Lower	1		WK020001-	
3		4460 756 00	* Cover	1		WK020001-	
4		0517 080 12	* Bolt, Treatment (W/L.W, F.W)	2		WK020001-	M8X12
5		0690 201 09	* Plug	12		WK020001-	
6		4461 749 00	* Cover, Under	1		WK020001-	
7		0518 100 20	* Bolt, Treatment (W/L.W, F.W)	6		WK020001-	M10X20 P=1.25
8		0480 100 20	* Bolt, Treatment (W/Flange)	4		WK020001-	M10X20 P=1.25
9		0590 160 00	* Washer, Lock	2		WK020001-	M16
10		D458 703 00	* Cover	2		WK020001-	
11		0457 140 40	* Bolt, Treatment (W/Flange)	28		WK020001-	M14X40
12	#	0653 993 UA	* Roller Ass'y, Lower	10		WK020001-	Sh. No. 1-5
13		0555 160 70	* Bolt, Treatment	2		WK020001-	M16X70
14	#	0651 912 UA	* Roller Ass'y, Upper	2		WK020001-	Sh. No. 1-6
15		0555 160 40	* Bolt, Treatment	24		WK020001-	M16X40
16		0595 160 00	* Washer, Treatment	24		WK020001-	M16
17	#	0781 397 UA	* Motor Ass'y, Travel	2		WK020001-	Sh. No. 5-1
18		D234 015 00	* Sprocket, Drive	2		WK020001-	
19		0595 200 00	* Washer, Treatment	20		WK020001-	M20
20		0555 200 30	* Bolt, Treatment	20		WK020001-	M20X30
21		D007 059 00	* Shim	20		WK020001-	t=12.0
22		4475 591 00	* Guide, Shoe (R.H.)	2		WK020001-	
23		4475 590 00	* Guide, Shoe (L.H.)	2		WK020001-	
24		0595 120 00	* Washer, Treatment	12		WK020001-	M12
25		0555 120 35	* Bolt, Treatment	12		WK020001-	M12X35

1



80VX-010200-1

KATO HICOM

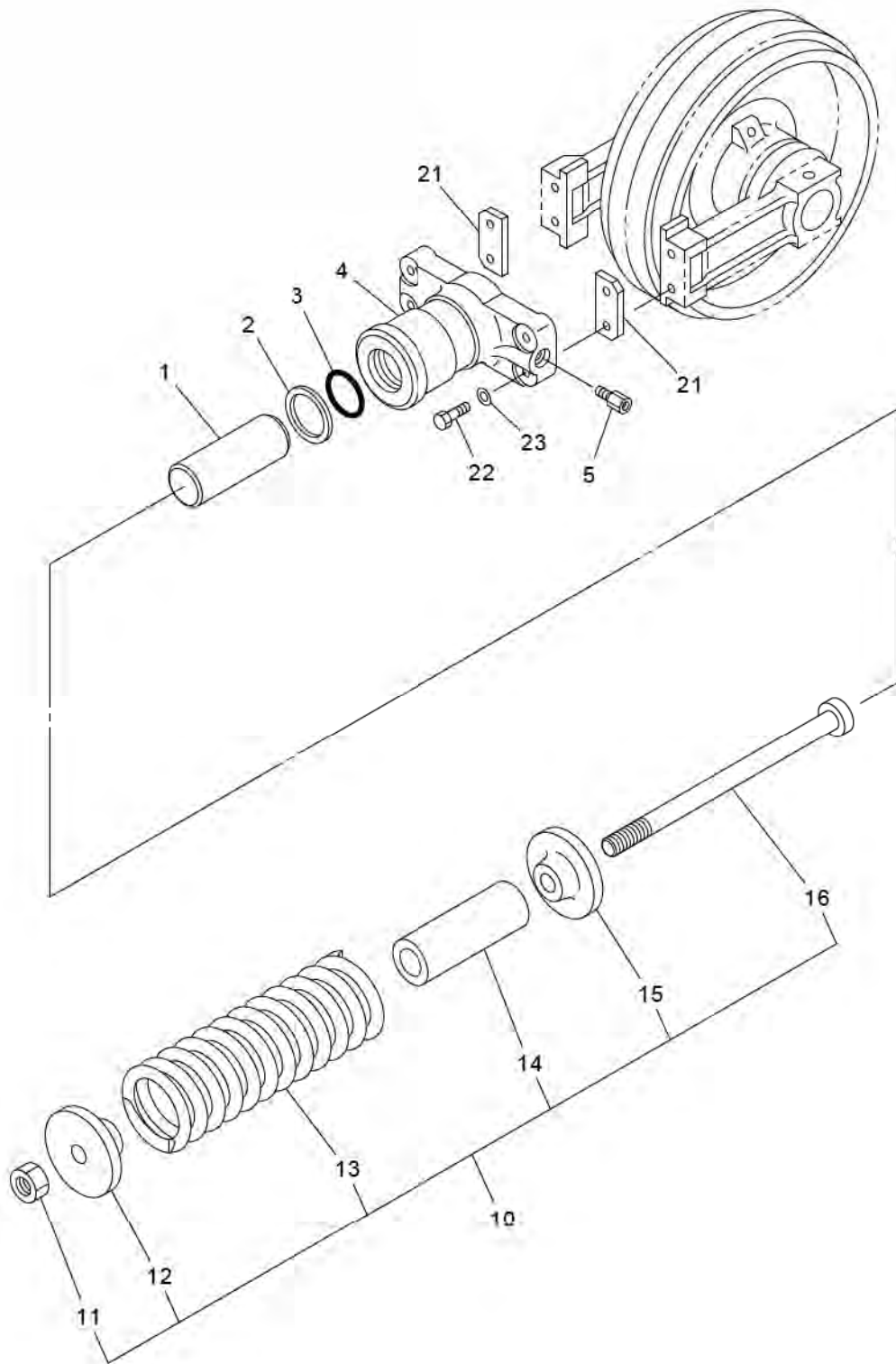
CRAWLER SHOE ASS'Y

MODEL HD85V4

SHEET No 1-2

KEY No.	SUP.	PART No.	DESCRIPTION	Q'TY	CHAN.	SERIAL No.	REMARKS
0		0653 924 UA	Shoe Ass'y, Crawler	2		WK002001-	L=450
0-1		0653 924 99	* Link Ass'y	1		WK002001-	
1		0653 924 04	** Link, Master (L.H.)	1		WK002001-	
2		0653 924 11	** Seal	82		WK002001-	
3		0653 924 05	** Bushing, Track	41		WK002001-	
4		0653 924 03	** Link, Master (R.H.)	1		WK002001-	
5		0653 946 06	** Pin, Track	41		WK002001-	
6		0653 924 09	** Collar, Master	2		WK002001-	
7		0653 924 07	** Bushing, Master	1		WK002001-	
8		0653 924 10	** Pin, Lock	1		WK002001-	
9		0653 924 08	** Pin, Master	1		WK002001-	
10		0653 924 02	** Link, Track (L.H.)	41		WK002001-	
11		0653 924 01	** Link, Track (R.H.)	41		WK002001-	
12		0653 924 12	* Nut, Shoe	168		WK002001-	
13		0653 924 13	* Plate, Shoe	42		WK002001-	L=450
14		0653 924 14	* Bolt, Shoe	168		WK002001-	

1



1

45VX-010300-1

KATO HICOM

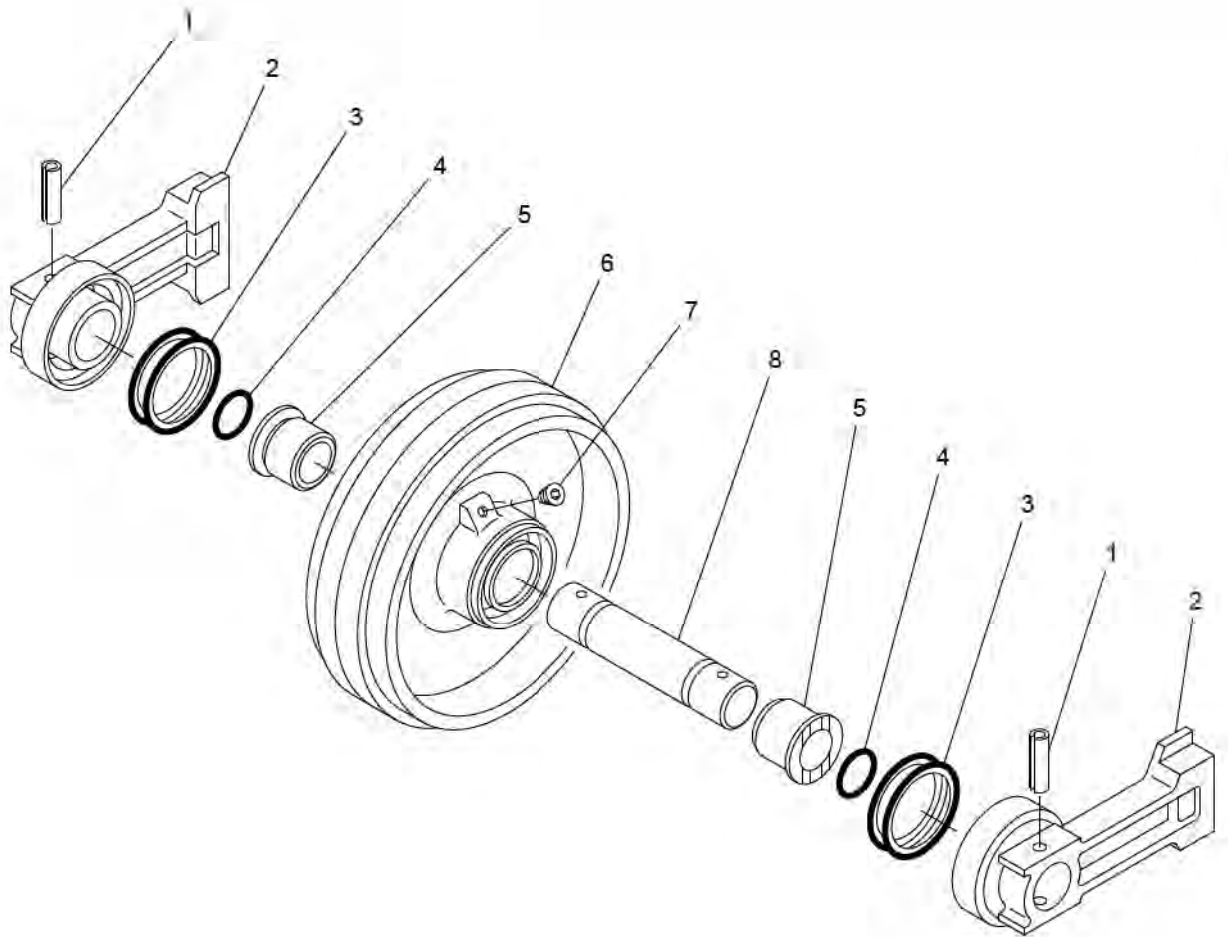
CRAWLER SHOE ADJ. DEVICE

MODEL HD85V4

SHEET No 1-3

KEY No.	SUP.	PART No.	DESCRIPTION	Q'TY	CHAN.	SERIAL No.	REMARKS
0		F301 051 00	Cylinder Ass'y, Grease	2		WK020001-	
1		D515 011 00	* Piston	1		WK020001-	
2		0762 120 60	* Ring, Back-up	1		WK020001-	P60-T2
3		0760 710 60	* Ring, O	1		WK020001-	P60-90B
4		D514 019 00	* Cylinder, Grease	1		WK020001-	
5		0753 265 UA	* Valve, Check	1		WK020001-	
10		F300 684 01	Unit Ass'y, Spring (For Rubber Shoe)	2		WK020001-	
10-1		F300 684 02	Unit Ass'y, Spring (For Steel Shoe)	2		WK020001-	
11		0580 200 00	* Nut, Hex.	1		WK020001-	M20
12		4485 508 00	* Retainer, Spring	1		WK020001-	
13		4170 198 00	* Spring	1		WK020001-	
14		D040 219 01	* Spacer (For Rubber Shoe)	1		WK020001-	
15		4485 509 00	* Retainer, Spring	1		WK020001-	
16		4004 128 00	* Bolt, Adjust	1		WK020001-	
21		4401 631 00	Plate (For Rubber Shoe)	2		WK020001-	
22		0514 120 60	Bolt, Treatment (For Rubber Shoe)	4		WK020001-	M12X60 P=1.25
22-1		0514 120 50	Bolt, Treatment (For Steel Shoe)	4		WK020001-	M12X50 P=1.25
23		0595 120 00	Washer, Treatment	4		WK020001-	M12

1



1

45VX-010400-1

KATO HICOM

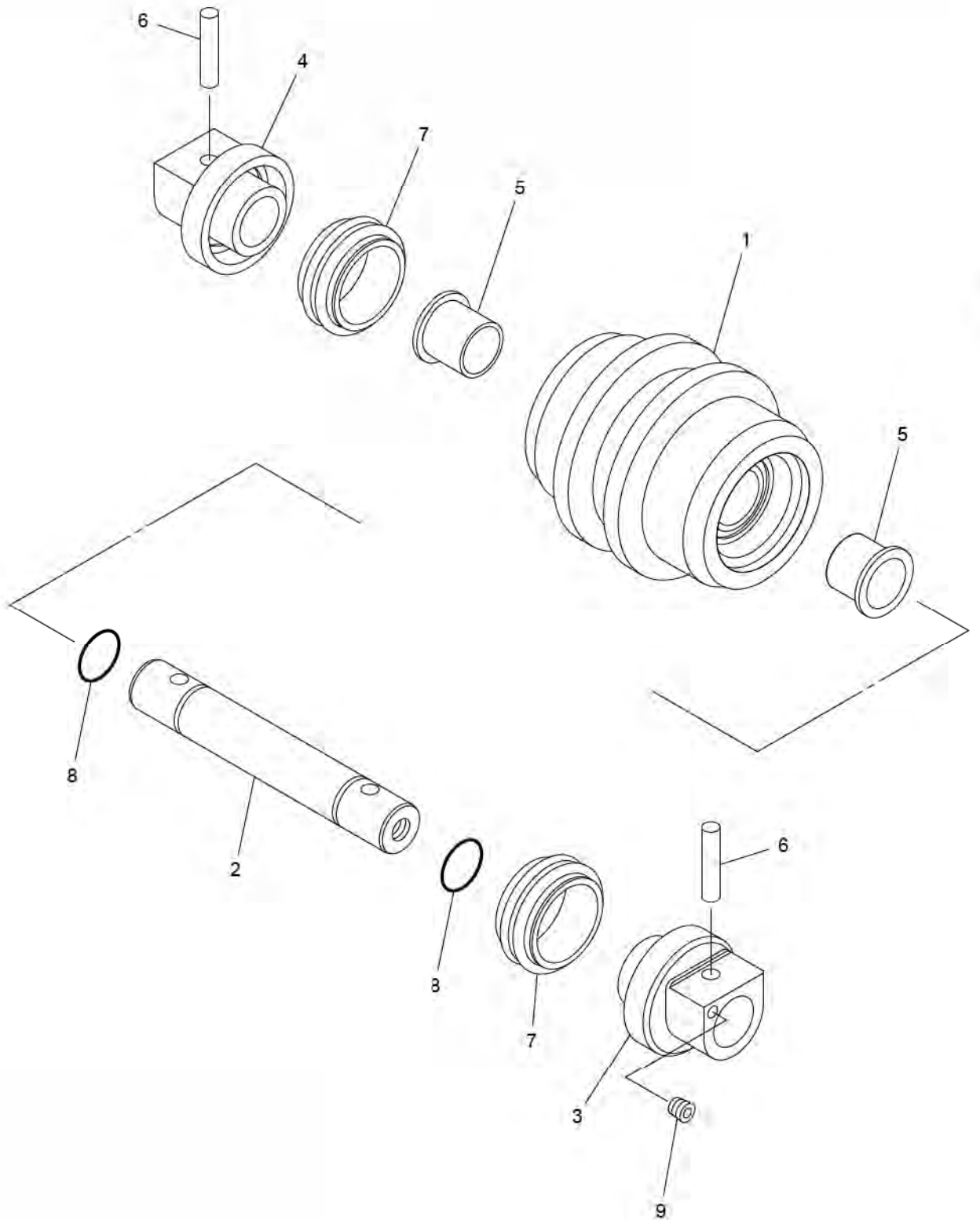
FRONT IDLER ASS'Y

MODEL HD85V4

SHEET No 1-4

KEY No.	SUP.	PART No.	DESCRIPTION	Q'TY	CHAN.	SERIAL No.	REMARKS
0		F300 686 00	Idler Ass'y, Front (For Rubber Shoe)	2		WK002001-	
0-1		F300 687 00	Idler Ass'y, Front (For Steel Shoe)	2		WK002001-	
1		0494 651 75	* Pin, Spring	2		WK002001-	d=10X75
2		4420 525 00	* Block, Bearing	2		WK002001-	
3		0763 014 67	* Seal, Floating	2		WK002001-	
4		0760 715 45	* Ring, O	2		WK002001-	G45-90B
5		4047 035 02	* Bushing	2		WK002001-	
6		D236 021 00	* Idler, Front (For Rubber Shoe)	1		WK002001-	
6-1		D236 020 00	* Idler, Front (For Steel Shoe)	1		WK002001-	
7		0710 201 01	* Plug	2		WK002001-	ST-PA-1/8
8		4012 220 00	* Shaft	1		WK002001-	

1



80VX-010500-1

KATO HICOM

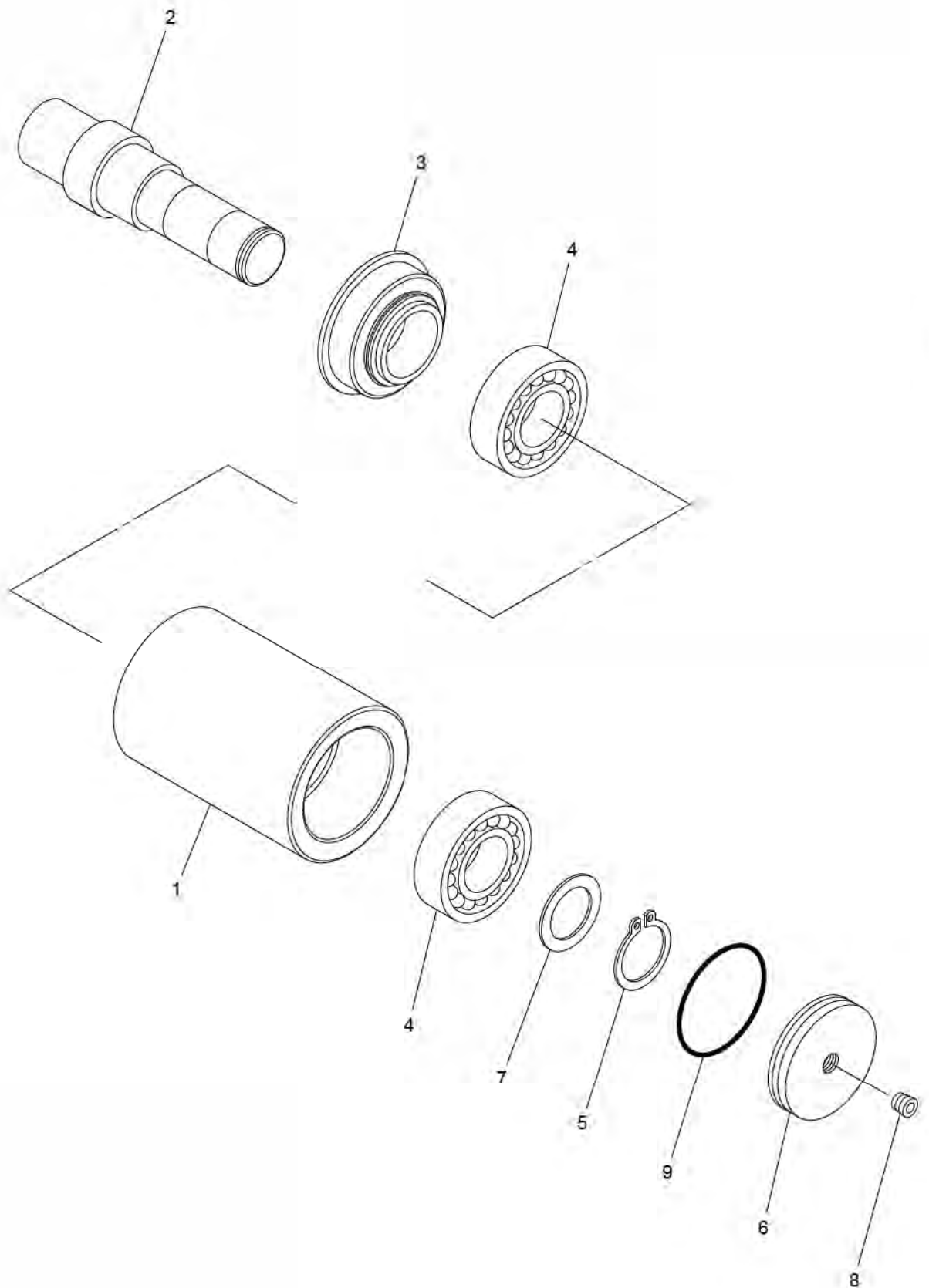
LOWER ROLLER ASS'Y

MODEL HD85V4

SHEET No 1-5

KEY No.	SUP.	PART No.	DESCRIPTION	Q'TY	CHAN.	SERIAL No.	REMARKS
0		0653 993 UA	Roller Ass'y, Lower	10		WK001229-	
1		0653 993 01	* Roller	1		WK001229-	
2		0653 993 02	* Shaft	1		WK001229-	
3		0653 984 03	* Collar, Roller	1		WK001229-	
4		0653 993 04	* Collar Roller	1		WK001229-	
5		0653 984 05	* Bushing	2		WK001229-	
6		0653 984 06	* Pin	2		WK001229-	
7		0763 014 60	* Seal, Floating	2		WK001229-	
8		0760 715 35	* Ring, O	2		WK001229-	G35-90B
9		0710 201 01	* Plug	1		WK001229-	

1



65VX-010600-1

KATO HICOM

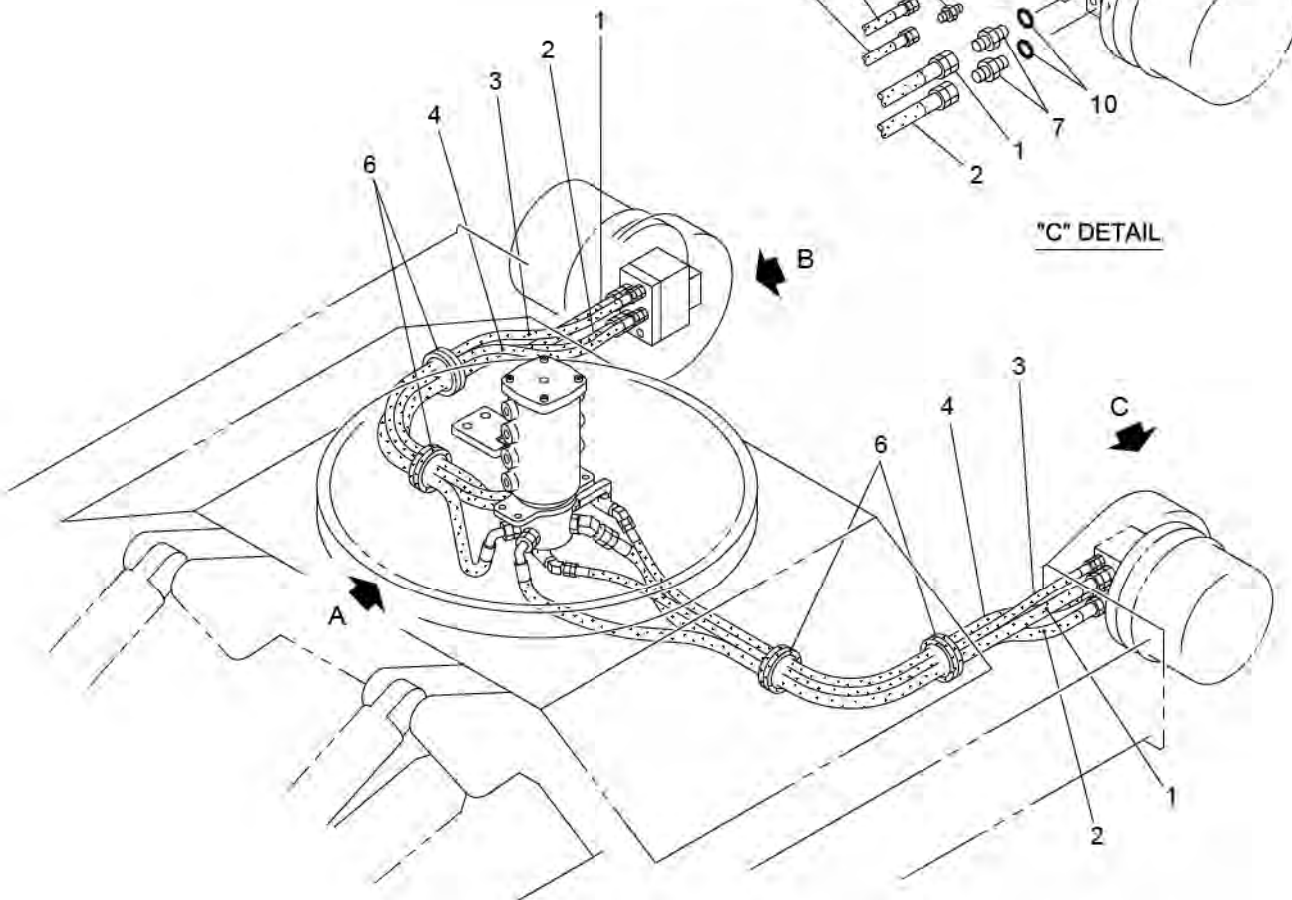
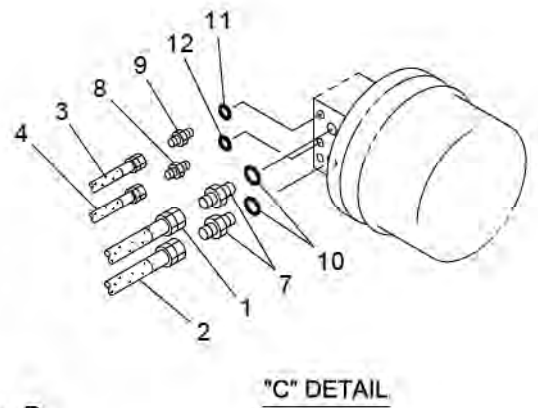
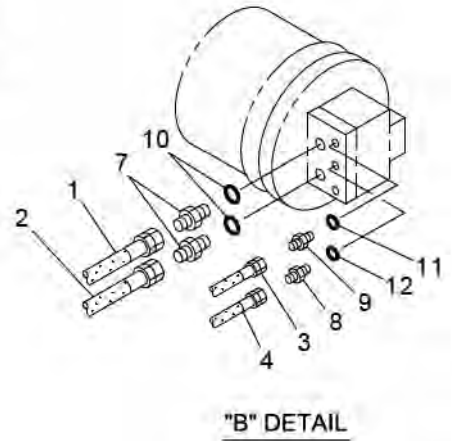
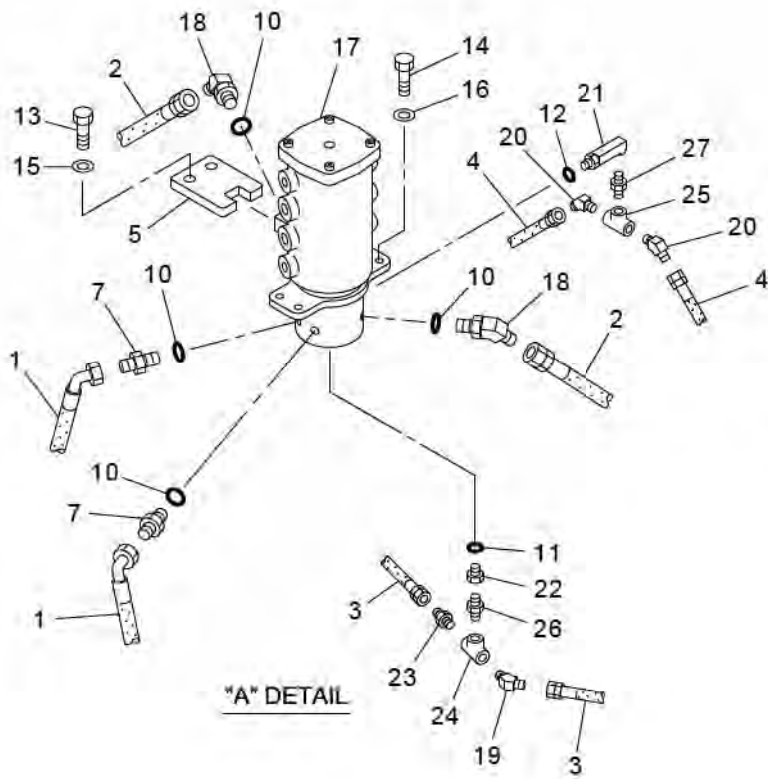
UPPER ROLLER ASS'Y

MODEL HD85V4

SHEET No 1-6

KEY No.	SUP.	PART No.	DESCRIPTION	Q'TY	CHAN.	SERIAL No.	REMARKS
0		0651 912 UA	Roller Ass'y, Upper	2		WK002001-	
1		0651 912 01	* Roller	1		WK002001-	
2		0651 912 02	* Shaft, Roller	1		WK002001-	
3		0651 912 03	* Seal	1		WK002001-	
4		0630 620 60	* Bearing	2		WK002001-	#6206
5		0493 510 30	* Ring, Snap	1		WK002001-	d=30
6		0651 912 06	* Cover	1		WK002001-	
7		0651 912 07	* Spacer	1		WK002001-	
8		0651 912 08	* Plug	1		WK002001-	
9		0760 615 60	* Ring, O	1		WK002001-	G60-90B

1



80V4-010700-1

KATO HICOM

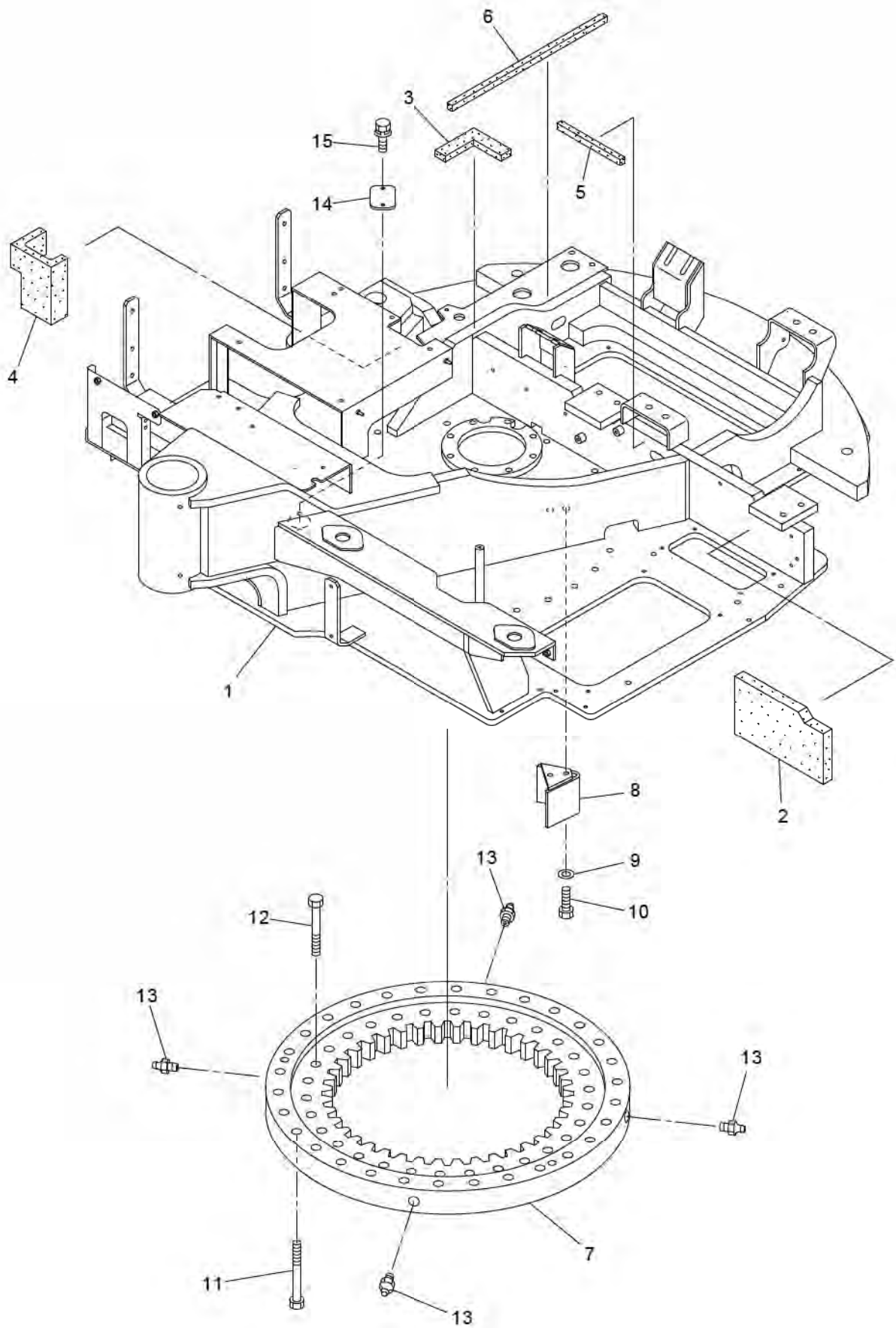
LOWER TRAVEL PIPING ASS'Y

MODEL HD85V4

SHEET No 1-7

KEY No.	SUP.	PART No.	DESCRIPTION	Q'TY	CHAN.	SERIAL No.	REMARKS
0	×	F340 892 00	Piping Ass'y, Lower Traction	1		WK020001-	
1		4070 478 09	* Hose Ass'y	2		WK020001-	L=1480
2		4070 067 16	* Hose Ass'y	2		WK020001-	L=1400
3		4070 015 38	* Hose Ass'y	2		WK020001-	L=1400
4		4070 012 26	* Hose Ass'y	2		WK020001-	L=1400
5		D260 565 00	* Stay	1		WK020001-	
6		4580 730 00	* Pad	4		WK020001-	
7		0713 700 95	* Adapter	6		WK020001-	
8		0713 700 70	* Adapter	2		WK020001-	
9		0713 700 03	* Adapter	2		WK020001-	
10		0760 710 19	* Ring, O	8		WK020001-	P18-90B
11		0760 710 16	* Ring, O	3		WK020001-	P14-90B
12		0760 710 12	* Ring, O	3		WK020001-	P11-90B
13		0558 160 50	* Bolt, Treatment	2		WK020001-	M16X50 P=1.5
14		0514 120 35	* Bolt, Treatment	4		WK020001-	M12X35 P=1.25
15		0595 160 00	* Washer, Treatment	2		WK020001-	M16
16		0595 120 00	* Washer, Treatment	2		WK020001-	M12
17	#	0713 454 UA	* Joint Ass'y, Rotary	1		WK020001-	Sh. No. 5-3
18		0710 114 46	* Elbow, 45 Reducer	2		WK020001-	PF1/2XPF3/4
19		0712 310 41	* Elbow, 45	1		WK020001-	
20		0712 310 40	* Elbow, 45	2		WK020001-	
21		0719 805 UA	* Elbow	1		WK020001-	
22		0711 403 03	* Socket	1		WK020001-	
23		0712 310 31	* Adapter	1		WK020001-	
24		0710 701 03	* Tee	1		WK020001-	
25		0710 701 02	* Tee	1		WK020001-	
26		0710 600 04	* Nipple	1		WK020001-	
27		0710 601 02	* Nipple	1		WK020001-	

1



80V4-020100-1

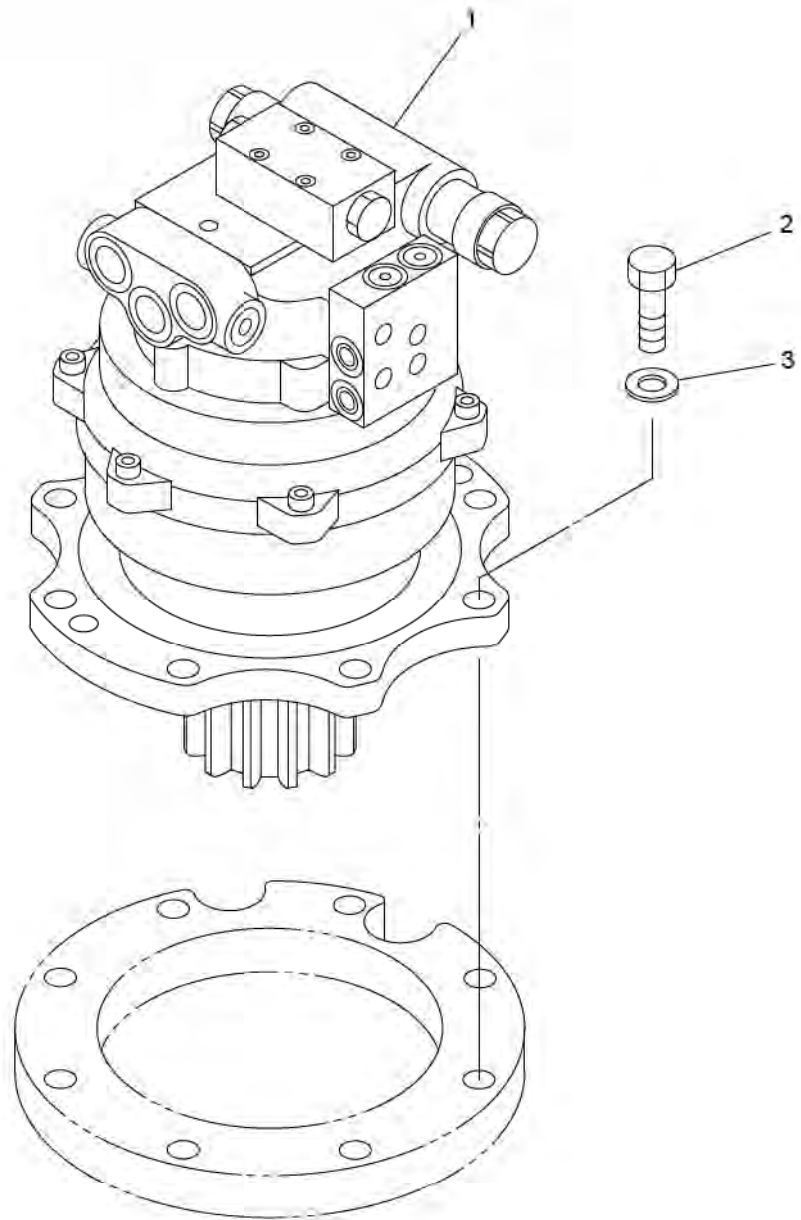
KATO HICOM

TURNTABLE & SWING BEARING ASS'Y

MODEL HD85V4

SHEET No 2-1

KEY No.	SUP.	PART No.	DESCRIPTION	Q'TY	CHAN.	SERIAL No.	REMARKS
0	×	F311 411 00	Frame Ass'y, Swing	1		WK020001-	
0-1	×	F320 279 00	Bearing Ass'y, Swing	1		WK020001-	
1	×	**** ** *	* Frame, Swing	1		WK020001-	
2		D493 853 00	* Panel, Sponge	1		WK020001-	
3		D493 854 00	* Panel, Sponge	1		WK020001-	
4		D493 855 00	* Panel, Sponge	1		WK020001-	
5		D493 989 00	* Panel, Sponge	1		WK020001-	
6		D494 008 00	* Panel, Sponge	1		WK020001-	
7		0605 408 20	* Bearing, Swing	1		WK020001-	
8		4428 048 00	* Bracket	1		WK020001-	
9		0595 160 00	* Washer, Treatment	2		WK020001-	M16
10		0558 160 35	* Bolt, Treatment	2		WK020001-	M16X35 P=1.5
11		0558 160 80	* Bolt, Treatment	30		WK020001-	M16X80 P=1.5
12		0558 160 90	* Bolt, Treatment	30		WK020001-	M16X90 P=1.5
13		0728 111 15	* Nipple, Grease	4		WK020001-	PT1/8
14		4460 756 00	* Cover	1		WK020001-	
15		0517 080 20	* Bolt, Treatment (W/L.W, F.W)	2		WK020001-	M8X20



80V4-030100-1

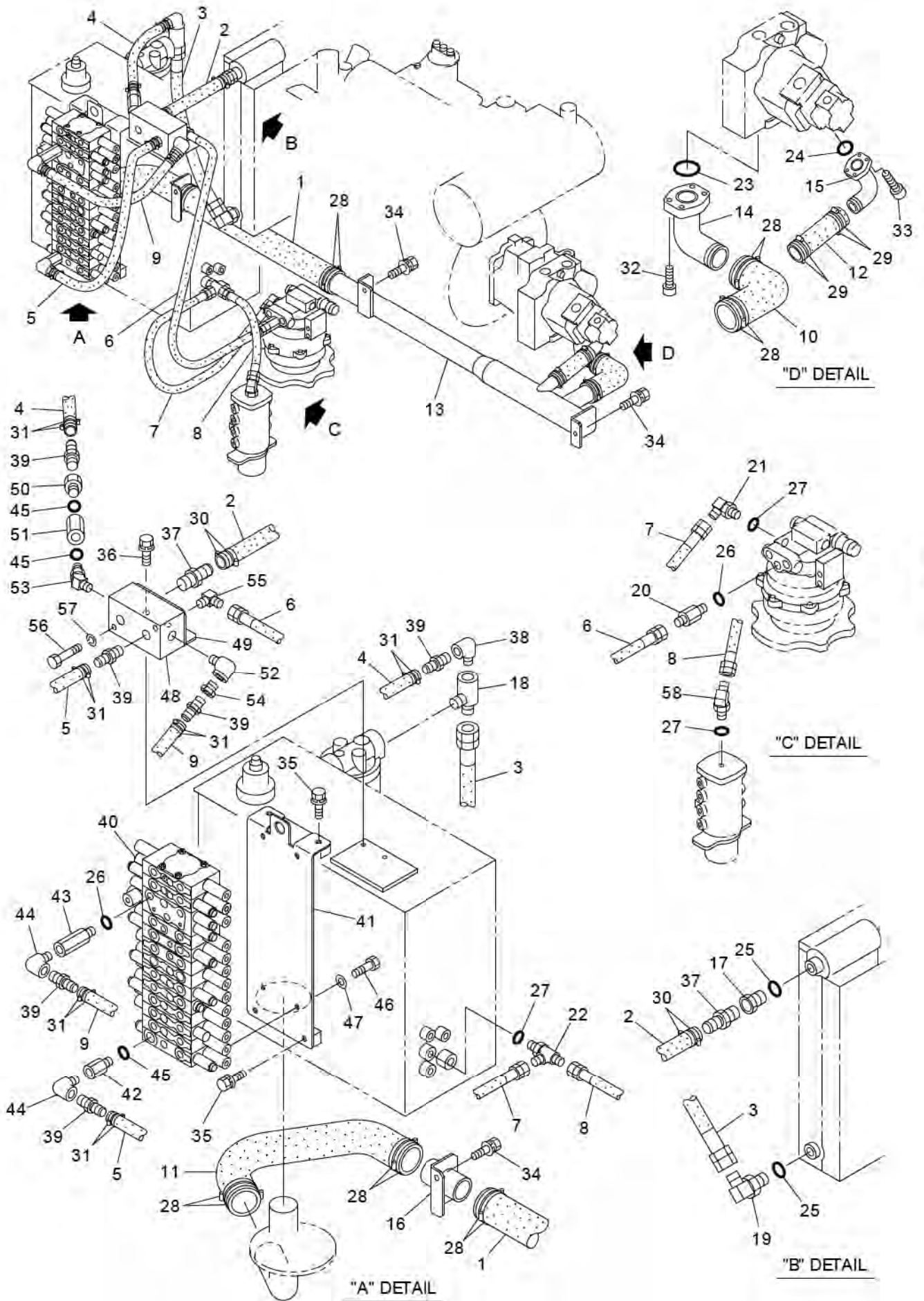
KATO HICOM

SWING DRIVE DEVICE

MODEL HD85V4

SHEET No 3-1

KEY No.	SUP.	PART No.	DESCRIPTION	Q'TY	CHAN.	SERIAL No.	REMARKS
0	×	F320 277 00	Swing Drive Device	1		WK020001-	
1	#	0781 396 UA	* Motor Ass'y, Swing	1		WK020001-	Sh. No. 5-2
2		0558 160 50	* Bolt, Treatment	8		WK020001-	M16X50 P=1.5
3		0595 160 00	* Washer, Treatment	8		WK020001-	M16



80V4-040100-1

KATO HICOM

RETURN & SUCTION PIPING ASS'Y

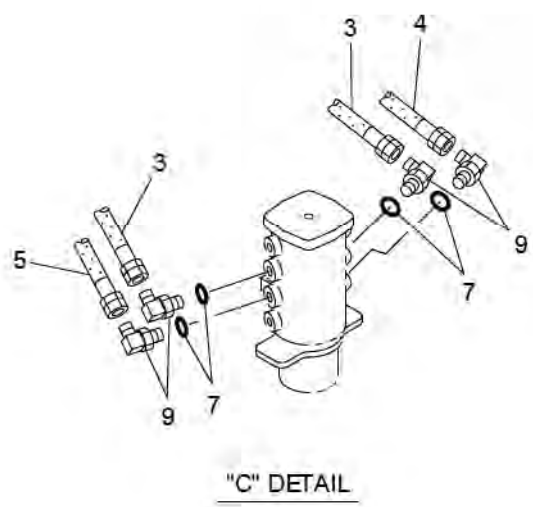
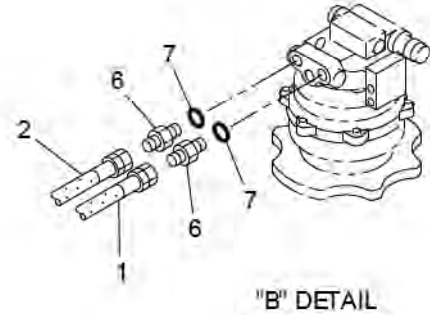
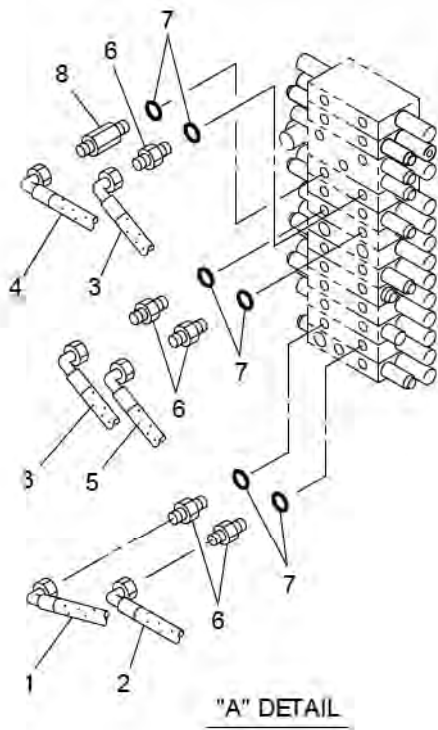
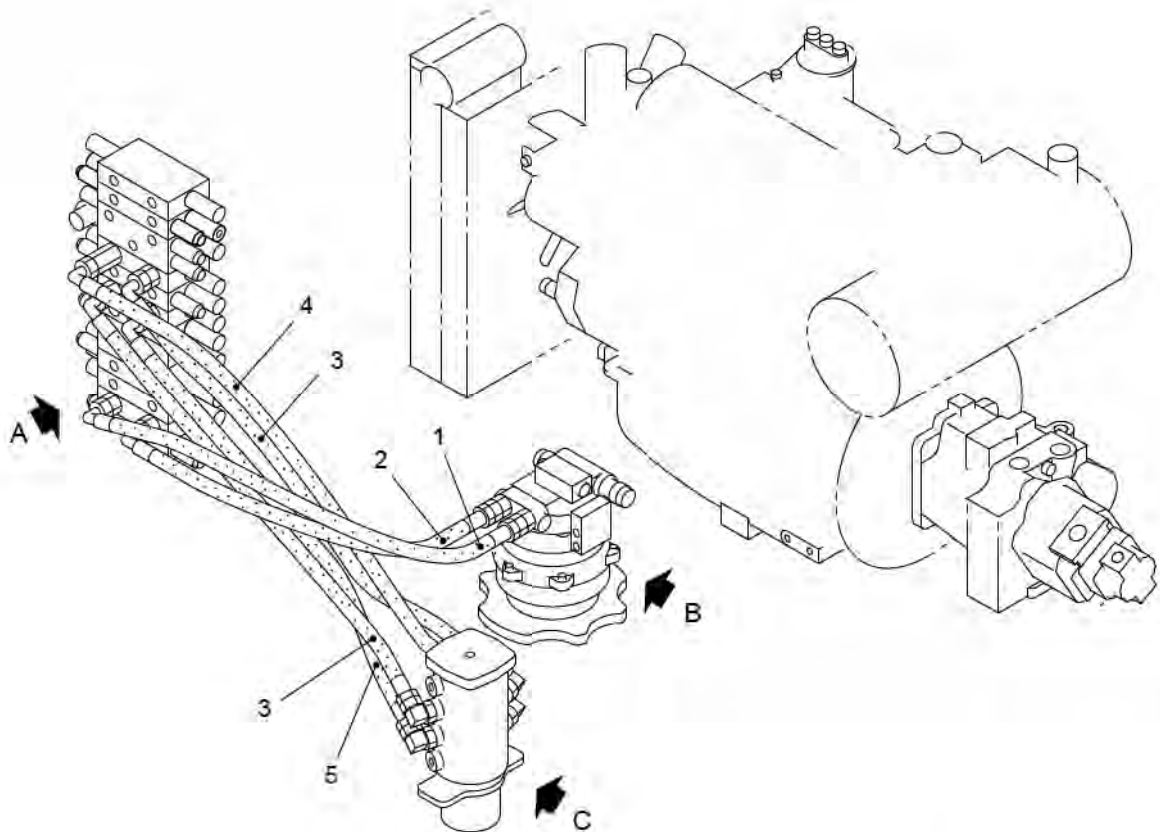
MODEL HD85V4

SHEET No 4-1

KEY No.	SUP.	PART No.	DESCRIPTION	Q'TY	CHAN.	SERIAL No.	REMARKS
0	×	F342 900 00	Piping Ass'y, Return & Suction	1		WK020001-	
1		4070 180 07	* Hose	1		WK020001-	L=450
2		4070 066 06	* Hose	1		WK020001-	L=240
3		D070 656 01	* Hose Ass'y	1		WK020001-	L=700
4		D070 572 05	* Hose	1		WK020001-	L=380
5		D070 572 03	* Hose	1		WK020001-	L=1000
6		4070 754 17	* Hose Ass'y	1		WK020001-	L=1000
7		4070 015 58	* Hose Ass'y	1		WK020001-	L=960
8		4070 015 09	* Hose Ass'y	1		WK020001-	L=350
9		D070 572 04	* Hose	1		WK020001-	L=500
10		D070 105 00	* Hose	1		WK020001-	
11		0776 600 14	* Hose	1		WK020001-	
12		0776 600 16	* Hose	1		WK020001-	
13		D286 421 00	* Tube	1		WK020001-	
14		D286 420 00	* Tube	1		WK020001-	
15		D286 419 00	* Tube	1		WK020001-	
16		D286 422 00	* Tube	1		WK020001-	
17		D060 581 00	* Socket, Reducer	1		WK020001-	PT1-1/4XPF1
18		D060 582 00	* Tee	1		WK020001-	
19		0710 113 81	* Elbow, Reducer	1		WK020001-	PF1XPF1-1/4
20		D060 552 00	* Adapter, Reducer	1		WK020001-	PF3/4X1/2
21		0710 113 33	* Elbow	1		WK020001-	
22		0710 713 10	* Tee, Special	1		WK020001-	
23		0760 312 32	* Ring, O	1		WK020001-	232-90B
24		0760 312 22	* Ring, O	1		WK020001-	222-90B
25		0760 710 30	* Ring, O	2		WK020001-	P29-90B
26		0760 710 19	* Ring, O	2		WK020001-	P18-90B
27		0760 710 16	* Ring, O	3		WK020001-	P14-90B
28		0690 083 13	* Clamp, Hose	12		WK020001-	
29		0690 083 10	* Clamp, Hose	4		WK020001-	
30		0690 083 09	* Clamp, Hose	4		WK020001-	
31		0690 083 07	* Clamp, Hose	12		WK020001-	
32		0562 120 30	* Bolt, Socket Head	4		WK020001-	M12X30
33		0562 100 30	* Bolt, Socket Head	4		WK020001-	M10X30
34		0518 100 35	* Bolt, Treatment (W/L.W, F.W)	3		WK020001-	M10X35 P=1.25
35		0518 100 25	* Bolt, Treatment (W/L.W, F.W)	4		WK020001-	M10X25 P=1.25
36		0518 100 16	* Bolt, Treatment (W/L.W, F.W)	2		WK020001-	M10X16 P=1.25
37		D060 578 00	* Connector	2		WK020001-	
38		0710 100 32	* Elbow	1		WK020001-	
39		0707 410 00	* Insert	6		WK020001-	
40	#	0784 132 UA	* Valve Ass'y, Control	1		WK020001-	Sh. No. 5-4
41		D419 740 00	* Bracket	1		WK020001-	
42		D060 583 00	* Connector	1		WK020001-	
43		D060 579 00	* Connector	1		WK020001-	
44		0710 120 11	* Elbow, Reducer	2		WK020001-	PT1XPT3/4
45		0760 710 25	* Ring, O	3		WK020001-	P24-90B
46		0513 100 16	* Bolt, Treatment	4		WK020001-	M10X16
47		0595 100 00	* Washer, Treatment	4		WK020001-	M10
48		D076 019 00	* Manifold	1		WK020001-	
49		D419 734 00	* Bracket	1		WK020001-	
50		D060 577 00	* Socket, Reducer	1		WK020001-	PT1XPF3/4
51		0785 932 UA	* Valve, Check	1		WK020001-	

KEY No.	SUP.	PART No.	DESCRIPTION	Q'TY	CHAN.	SERIAL No.	REMARKS
52		0710 102 12	* Elbow	1		WK020001-	
53		0710 119 14	* Elbow, 45	1		WK020001-	
54		0710 400 32	* Bush, Reducer	1		WK020001-	PT1-1/4XPT1
55		0712 310 53	* Elbow	1		WK020001-	
56		0514 101 00	* Bolt, Treatment	2		WK020001-	M10X100 P=1.25
57		0590 100 00	* Washer, Lock	2		WK020001-	M10
58		0710 114 33	* Elbow, 45	1		WK020001-	

4



80V4-040200-1

KATO HICOM

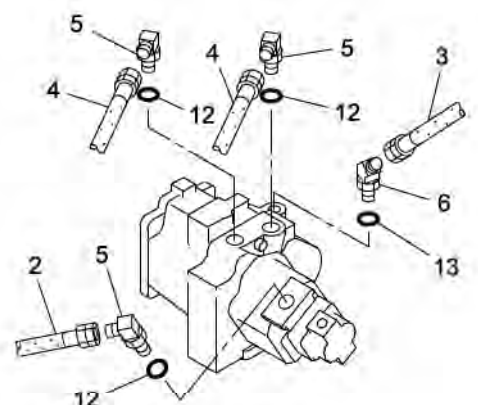
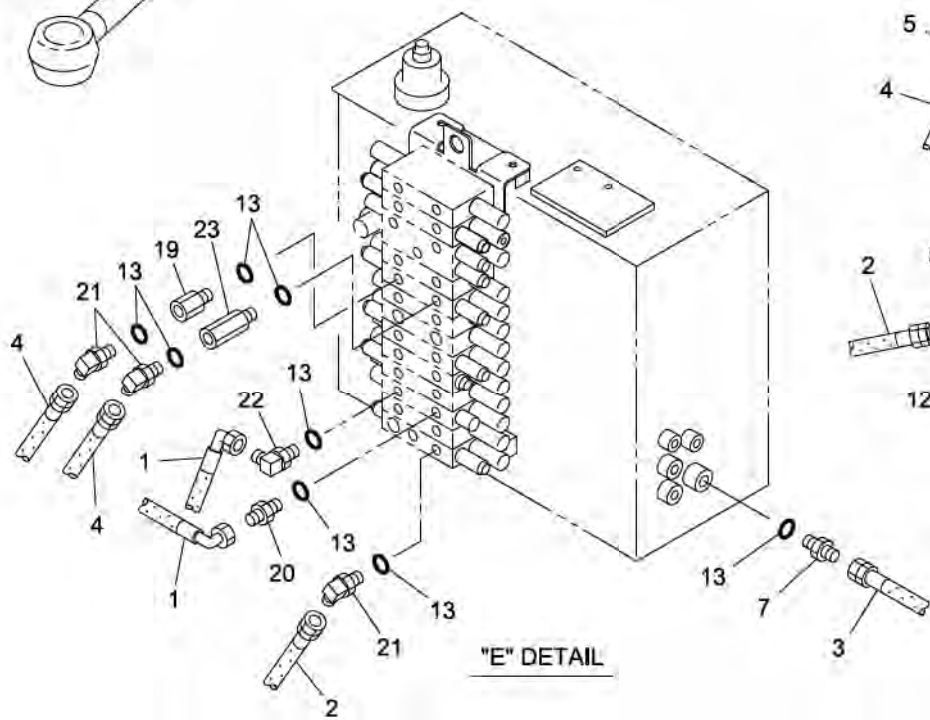
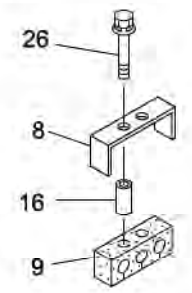
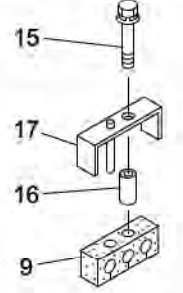
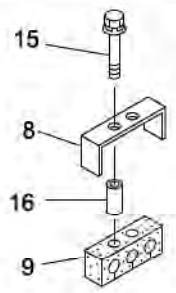
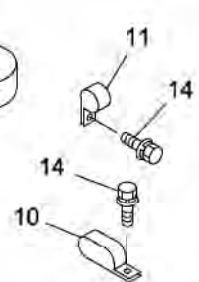
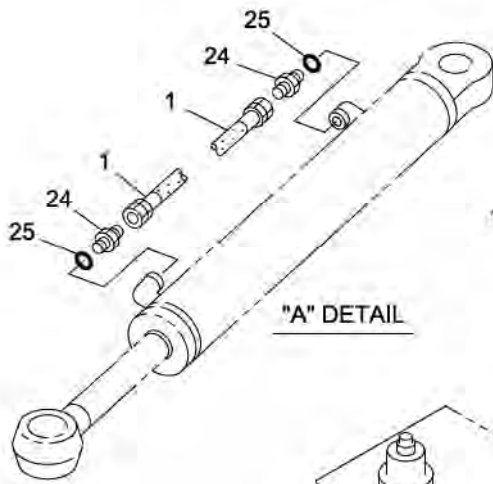
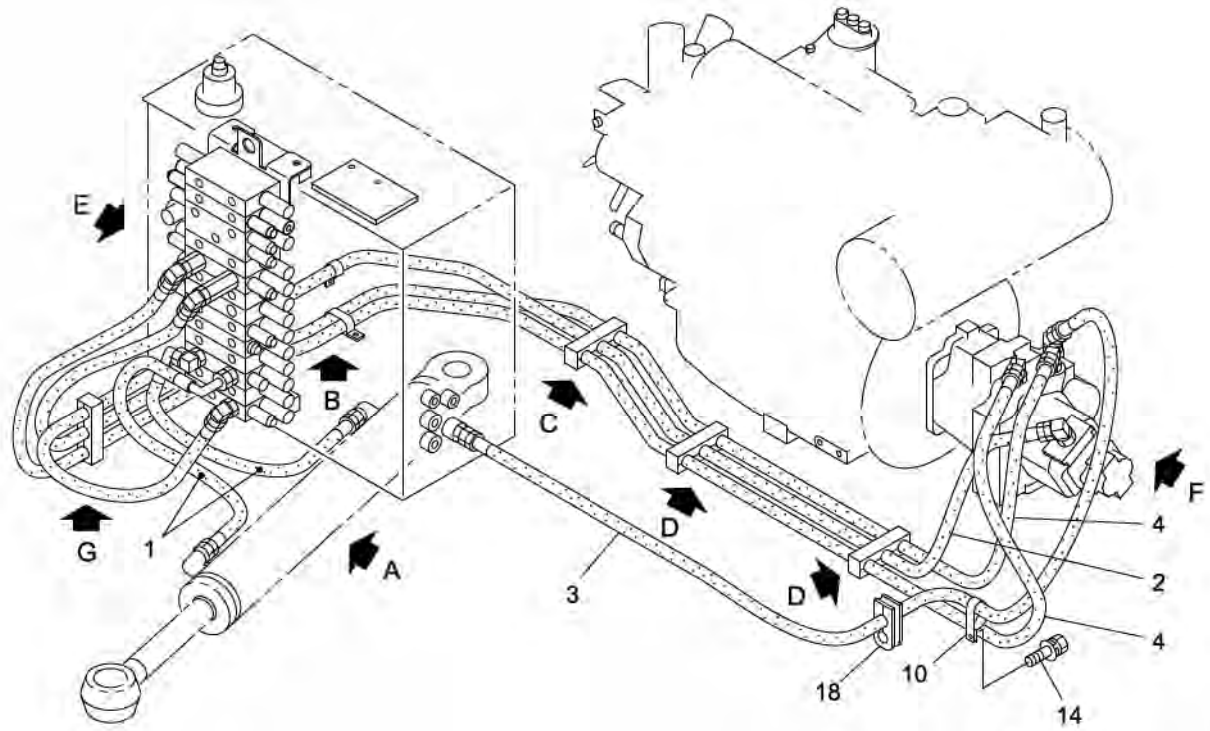
SWING & TRAVEL PIPING ASS'Y

MODEL HD85V4

SHEET No 4-2

KEY No.	SUP.	PART No.	DESCRIPTION	Q'TY	CHAN.	SERIAL No.	REMARKS
0	X	F342 900 00	Piping Ass'y, Swing & Travel	1		WK020001-	
1		4070 477 32	* Hose Ass'y	1		WK020001-	L=900
2		4070 477 22	* Hose Ass'y	1		WK020001-	L=800
3		4070 496 31	* Hose Ass'y	2		WK020001-	L=900
4		4070 496 04	* Hose Ass'y	1		WK020001-	L=1100
5		4070 496 33	* Hose Ass'y	1		WK020001-	L=850
6		0713 700 04	* Adapter	7		WK020001-	
7		0760 710 19	* Ring, O	12		WK020001-	P18-90B
8		4072 971 00	* Connector	1		WK020001-	
9		0710 113 44	* Elbow	4		WK020001-	

4



80V4-040300-1

KATO HICOM

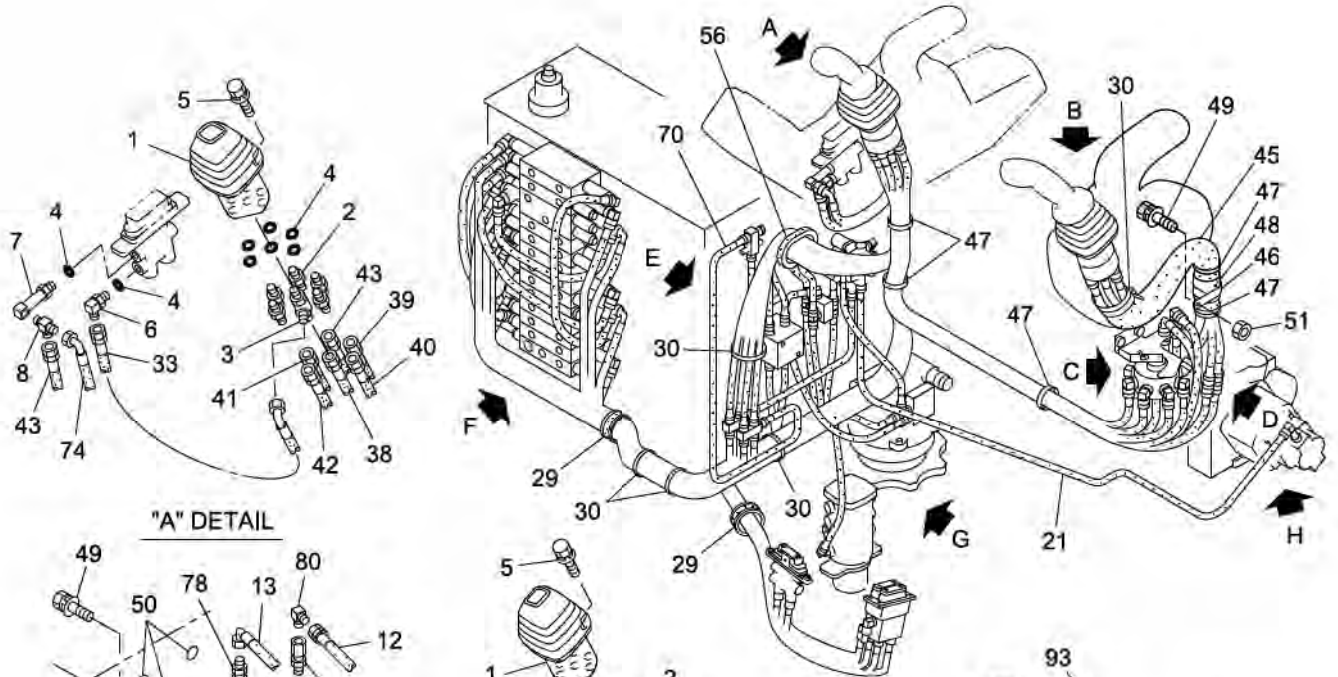
PUMP DISCHARGE & BOOM SWING PIPING ASS'Y

MODEL HD85V4

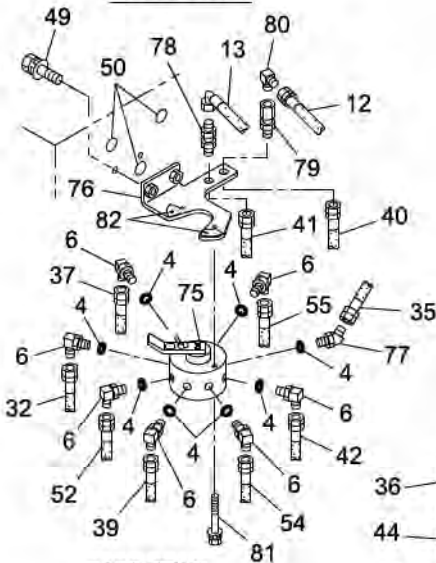
SHEET No 4-3

KEY No.	SUP.	PART No.	DESCRIPTION	Q'TY	CHAN.	SERIAL No.	REMARKS
0	×	F342 900 00	Piping Ass'y, Pump Discharge & Boom Swing	1		WK020001-	
0-1	×	F388 429 00	Piping Ass'y, Pump Discharge & Boom Swing	1		WK020001-	
1		4070 338 30	* Hose Ass'y	2		WK020001-	L=800
2		D070 578 04	* Hose Ass'y	1		WK020001-	L=3000
3		4070 016 11	* Hose Ass'y	1		WK020001-	L=1800
4		D070 578 06	* Hose Ass'y	2		WK020001-	L=3600
5		0710 122 01	* Elbow	3		WK020001-	
6		0710 114 44	* Elbow, 45	1		WK020001-	
7		0713 700 04	* Adapter	1		WK020001-	
8		D083 154 00	* Clamp	2		WK020001-	
9		D580 184 00	* Pad	4		WK020001-	
10		4080 000 26	* Clamp, Hose	2		WK020001-	
11		4080 000 06	* Clamp, Hose	1		WK020001-	
12		0760 710 25	* Ring, O	3		WK020001-	P24-90B
13		0760 710 19	* Ring, O	9		WK020001-	P18-90B
14		0518 100 20	* Bolt, Treatment (W/L.W, F.W)	3		WK020001-	M10X20 P=1.25
15		0517 080 55	* Bolt, Treatment (W/L.W, F.W)	4		WK020001-	M8X55
16		D040 249 07	* Spacer	6		WK020001-	
17		D420 023 00	* Bracket	2		WK020001-	
18		D580 201 00	* Pad	1		WK020001-	
19		D060 580 00	* Connector	1		WK020001-	
20		0713 700 78	* Adapter, Reducer	1		WK020001-	PF1/2XPF3/8
21		0710 113 46	* Elbow, Reducer	3		WK020001-	PF1/2XPF3/4
22		0710 113 43	* Elbow, Reducer	1		WK020001-	PF1/2XPF3/8
23		D060 584 00	* Connector	1		WK020001-	
24		0713 700 71	* Adapter	2		WK020001-	
25		0760 710 16	* Ring, O	2		WK020001-	P14-90B
26		0517 080 60	* Bolt, Treatment (W/L.W, F.W)	2		WK020001-	M8X60

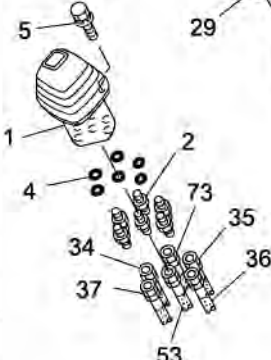
4



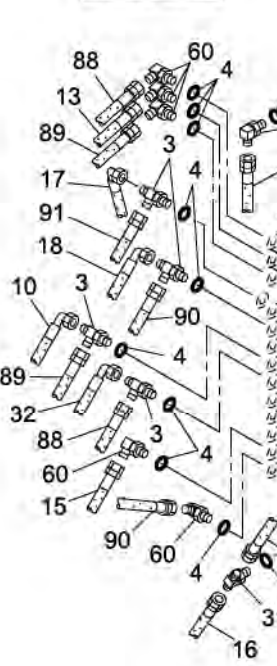
"A" DETAIL



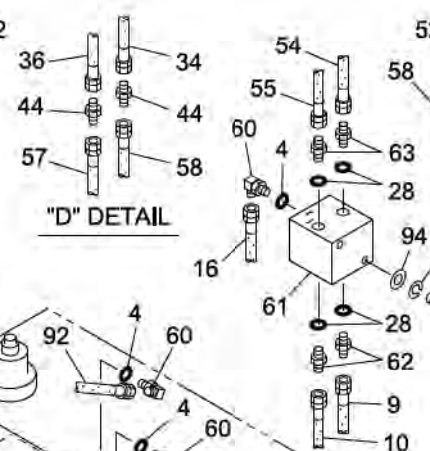
"B" DETAIL



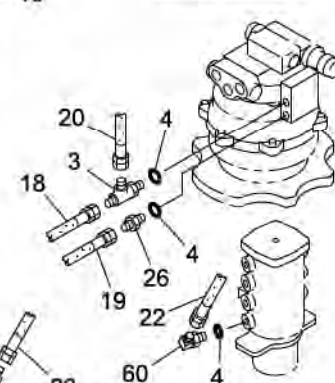
"C" DETAIL



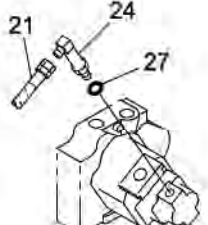
"D" DETAIL



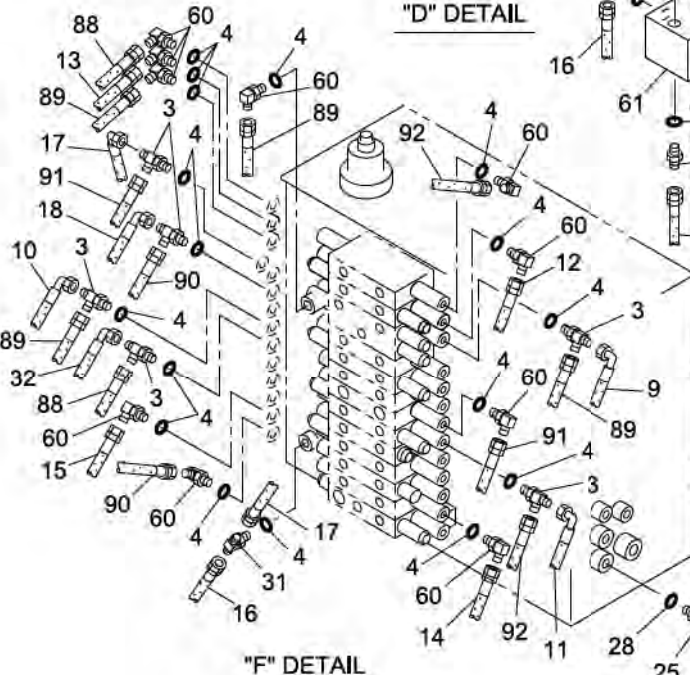
"E" DETAIL



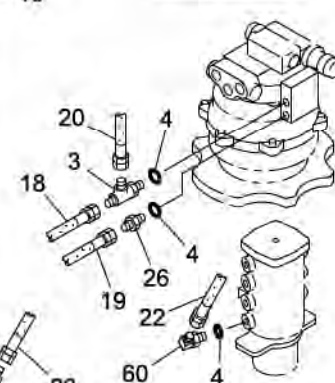
"H" DETAIL



"F" DETAIL



"G" DETAIL



80V4-04040B-1

KATO HICOM

CONTROL PIPING ASS'Y (FOR A, F CHANGE)

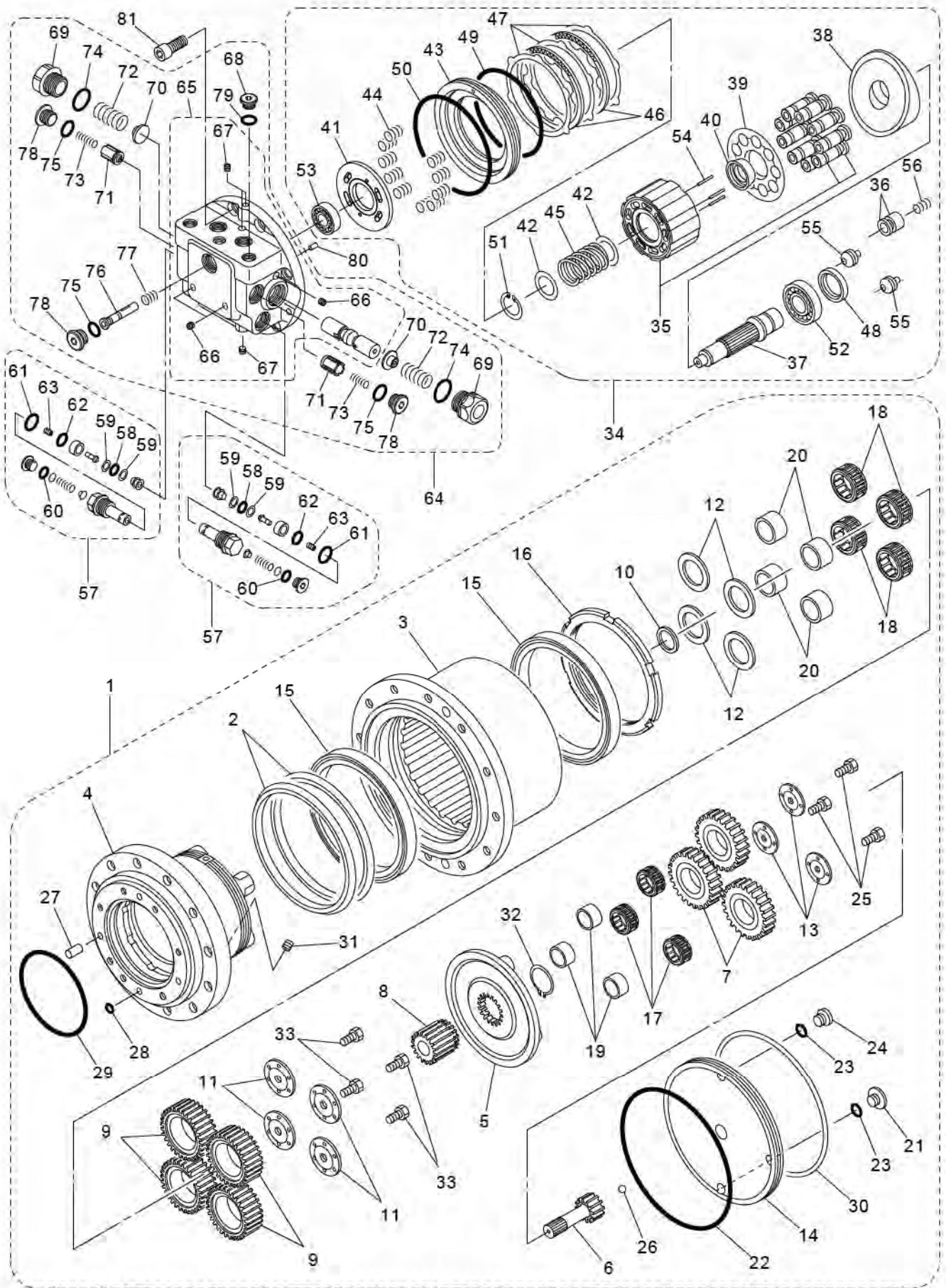
MODEL HD85V4

SHEET No 4-4[B]

KEY No.	SUP.	PART No.	DESCRIPTION	Q'TY	CHAN.	SERIAL No.	REMARKS
0	×	F342 902 00	Pipng Ass'y, Control	1		WK020001-	
1	#	0784 127 UA	* Valve Ass'y, Remote Control	2		WK020001-	Sh. No. 5-5
2		0713 700 70	* Connector	11		WK020001-	
3		0710 713 09	* Tee	8		WK020001-	
4		0760 710 12	* Ring, O	46		WK020001-	P11-90B
5		0517 060 25	* Bolt, Treatment (W/L.W, F.W)	6		WK020001-	M6X25
6		0710 122 09	* Elbow	8		WK020001-	
7		0719 805 UA	* Elbow, Long	1		WK020001-	
8		0710 709 02	* Tee	1		WK020001-	
9		4070 551 52	* Hose Ass'y	1		WK020001-	L=1770
9-1	☆	4405 307 01	* Decal (B1)	2		WK020001-	4405 307 00
10		4070 551 52	* Hose Ass'y	1		WK020001-	L=1770
10-1	☆	4405 307 02	* Decal (B2)	2		WK020001-	4405 307 00
11		4070 551 53	* Hose Ass'y	1		WK020001-	L=1720
11-1	☆	4405 309 01	* Decal (A1)	2		WK020001-	4405 309 00
12		4070 548 94	* Hose Ass'y	1		WK020001-	L=3450
12-1	☆	4405 308 02	* Decal (C2)	2		WK020001-	4405 308 00
13		4070 551 57	* Hose Ass'y	1		WK020001-	L=3500
13-1	☆	4405 308 01	* Decal (C1)	2		WK020001-	4405 308 00
14		4070 548 44	* Hose Ass'y	1		WK020001-	L=1470
14-1	☆	4405 310 02	* Decal (S2)	2		WK020001-	4405 310 00
15		4070 548 61	* Hose Ass'y	1		WK020001-	L=1700
15-1	☆	4405 310 01	* Decal (S1)	2		WK020001-	4405 310 00
16		4070 548 41	* Hose Ass'y	1		WK020001-	L=1850
17		4070 551 07	* Hose Ass'y	1		WK020001-	L=450
18		4070 551 32	* Hose Ass'y	1		WK020001-	L=2000
19		4070 548 51	* Hose Ass'y	1		WK020001-	L=630
20		4070 548 55	* Hose Ass'y	1		WK020001-	L=350
21		4070 056 37	* Hose Ass'y	1		WK020001-	L=1500
22		4070 548 17	* Hose Ass'y	1		WK020001-	L=950
23		4070 015 14	* Hose Ass'y	1		WK020001-	L=400
24		0710 117 07	* Elbow, Long	1		WK020001-	
25		0710 117 05	* Elbow, Long	1		WK020001-	
26		0713 700 02	* Adapter	1		WK020001-	
27		0760 710 19	* Ring, O	1		WK020001-	P18-90B
28		0760 710 16	* Ring, O	8		WK020001-	P14-90B
29		D580 195 00	* Pad	2		WK020001-	
30		0820 067 10	* Band, Cable	9		WK020001-	
31		0710 713 04	* Tee	1		WK020001-	
32		4070 551 58	* Hose Ass'y	1		WK020001-	L=3150
32-1	☆	4405 309 02	* Decal (A2)	2		WK020001-	4405 309 00
33		4070 551 15	* Hose Ass'y	1		WK020001-	L=350
33-1	☆	D407 818 03	* Decal (BP)	2		WK020001-	D407 818 00
34		4070 548 75	* Hose Ass'y	1		WK020001-	L=720
34-1	☆	4405 309 03	* Decal (L1)	2		WK020001-	4405 309 00
35		4070 548 75	* Hose Ass'y	1		WK020001-	L=720
35-1	☆	4405 310 03	* Decal (L2)	2		WK020001-	4405 310 00
36		4070 548 75	* Hose Ass'y	1		WK020001-	L=720
36-1	☆	4405 309 04	* Decal (L3)	2		WK020001-	4405 309 00
37		4070 548 75	* Hose Ass'y	1		WK020001-	L=720
37-1	☆	4405 310 04	* Decal (L4)	2		WK020001-	4405 310 00
38		4070 548 75	* Hose Ass'y	1		WK020001-	L=720

KEY No.	SUP.	PART No.	DESCRIPTION	Q'TY	CHAN.	SERIAL No.	REMARKS
38-1	☆	4405 311 01	* Decal (RP)	2		WK020001-	4405 311 00
39		4070 548 06	* Hose Ass'y	1		WK020001-	L=1200
39-1	☆	4405 308 03	* Decal (R2)	2		WK020001-	4405 308 00
40		4070 548 06	* Hose Ass'y	1		WK020001-	L=1200
40-1	☆	4405 307 04	* Decal (R3)	2		WK020001-	4405 307 00
41		4070 548 19	* Hose Ass'y	1		WK020001-	L=1250
41-1	☆	4405 307 03	* Decal (R1)	2		WK020001-	4405 307 00
42		4070 548 19	* Hose Ass'y	1		WK020001-	L=1250
42-1	☆	4405 308 04	* Decal (R4)	2		WK020001-	4405 308 00
43		4070 548 08	* Hose Ass'y	1		WK020001-	L=300
43-1	☆	4405 312 01	* Decal (RT)	2		WK020001-	4405 312 00
44		0712 326 01	* Adapter	2		WK020001-	
45		D070 577 01	* Hose	1		WK020001-	L=370
46		4080 000 09	* Clamp, Hose	1		WK020001-	
47		0820 067 09	* Band, Cable	5		WK020001-	
48		4580 016 00	* Pad, Rubber	1		WK020001-	
49		0518 100 25	* Bolt, Treatment (W/L.W, F.W)	3		WK020001-	M10X25 P=1.25
50		D405 272 00	* Seal	3		WK020001-	
51		0545 100 00	* Nut, Hex.	1		WK020001-	M10 P=1.25
52		4070 548 38	* Hose Ass'y	1		WK020001-	L=1550
52-1	☆	4405 309 01	* Decal (A1)	2		WK020001-	4405 309 00
53		4070 548 23	* Hose Ass'y	1		WK020001-	L=2200
53-1	☆	4405 311 02	* Decal (LP)	2		WK020001-	4405 311 00
54		4070 548 61	* Hose Ass'y	1		WK020001-	L=1700
54-1	☆	4405 307 01	* Decal (B1)	2		WK020001-	4405 307 00
55		4070 548 40	* Hose Ass'y	1		WK020001-	L=1650
55-1	☆	4405 307 02	* Decal (B2)	2		WK020001-	4405 307 00
56		0910 870 05	* Seal	M		WK020001-	L=230
57		4070 548 44	* Hose Ass'y	1		WK020001-	L=1470
57-1	☆	4405 310 01	* Decal (S1)	2		WK020001-	4405 310 00
58		4070 548 20	* Hose Ass'y	1		WK020001-	L=1400
58-1	☆	4405 310 02	* Decal (S2)	2		WK020001-	4405 310 00
59		0754 615 UA	* Valve Ass'y	1		WK020001-	
59-1		0754 615 03	** Tee	3		WK020001-	
59-2		0760 710 12	** Ring, O	3		WK020001-	P11-90B
60		0710 122 09	* Elbow	14		WK020001-	
61	#	0784 028 UA	* Valve Ass'y, Shock-less	1		WK020001-	Sh. No. 5-16
62		0713 700 77	* Adapter, Reducer	2		WK020001-	PF3/8XPF1/4
63		0712 324 04	* Adapter, Reducer	2		WK020001-	PF3/8XPF1/4
64		0550 060 60	* Bolt, Hex.	2		WK020001-	M6X60
65		0593 060 00	* Washer, Flat	2		WK020001-	M6
66		0590 060 00	* Washer, Lock	2		WK020001-	M6
67		D065 094 00	* Manifold	1		WK020001-	
68		D065 096 00	* Manifold	2		WK020001-	
69		0513 100 20	* Bolt, Treatment	4		WK020109-	M10X20
70		4070 056 45	* Hose Ass'y	1		WK020001-	L=1400
71		4070 056 29	* Hose Ass'y	1		WK020001-	L=700
72		4070 015 14	* Hose Ass'y	1		WK020001-	L=400
73		4070 548 24	* Hose Ass'y	1		WK020001-	L=2300
73-1	☆	4405 312 02	* Decal (LT)	2		WK020001-	4405 312 00
74		4070 551 08	* Hose Ass'y	1		WK020001-	L=700
74-1	☆	D407 818 04	* Decal (BT)	2		WK020001-	D407 818 00

KEY No.	SUP.	PART No.	DESCRIPTION	Q'TY	CHAN.	SERIAL No.	REMARKS
75	#	0756 094 UA	* Valve Ass'y, Selector	1		WK020001-	Sh. No. 5-15[B]
76		D419 656 00	* Bracket	1		WK020001-	
77		0710 121 00	* Elbow, 45	1		WK020001-	
78		D060 137 00	* Adapter	1		WK020001-	
79		0712 325 02	* Adapter	1		WK020001-	
80		0712 310 50	* Elbow	1		WK020001-	
81		0517 060 60	* Bolt, Treatment (W/L.W, F.W)	2		WK020001-	M6X60
82		4448 987 00	* Decal (For A, F)	1		WK020001-	
83	#	0785 175 UA	* Valve Ass'y, Solenoid	1		WK020001-	Sh. No. 5-17
84		0710 122 02	* Elbow	1		WK020001-	
85		0710 713 10	* Tee, Special	1		WK020001-	
86		0713 700 93	* Adapter, Reducer	1		WK020001-	PF1/4XPF3/8
87		0710 113 32	* Elbow, Reducer	1		WK020001-	PF3/8XPF1/4
88		4070 548 27	* Hose Ass'y	1		WK020001-	L=600
89		4070 548 87	* Hose Ass'y	2		WK020001-	L=480
90		4070 548 55	* Hose Ass'y	1		WK020001-	L=350
91		4070 548 52	* Hose Ass'y	1		WK020001-	L=570
92		4070 548 25	* Hose Ass'y	1		WK020001-	L=700
93		0710 303 02	* Plug, Swivel	1		WK020001-	
94		0593 100 00	* Washer, Flat	4		WK020109-	M10
95		0590 100 00	* Washer, Lock	4		WK020109-	M10



0781397UA-1

KATO HICOM

TRAVEL MOTOR ASS'Y

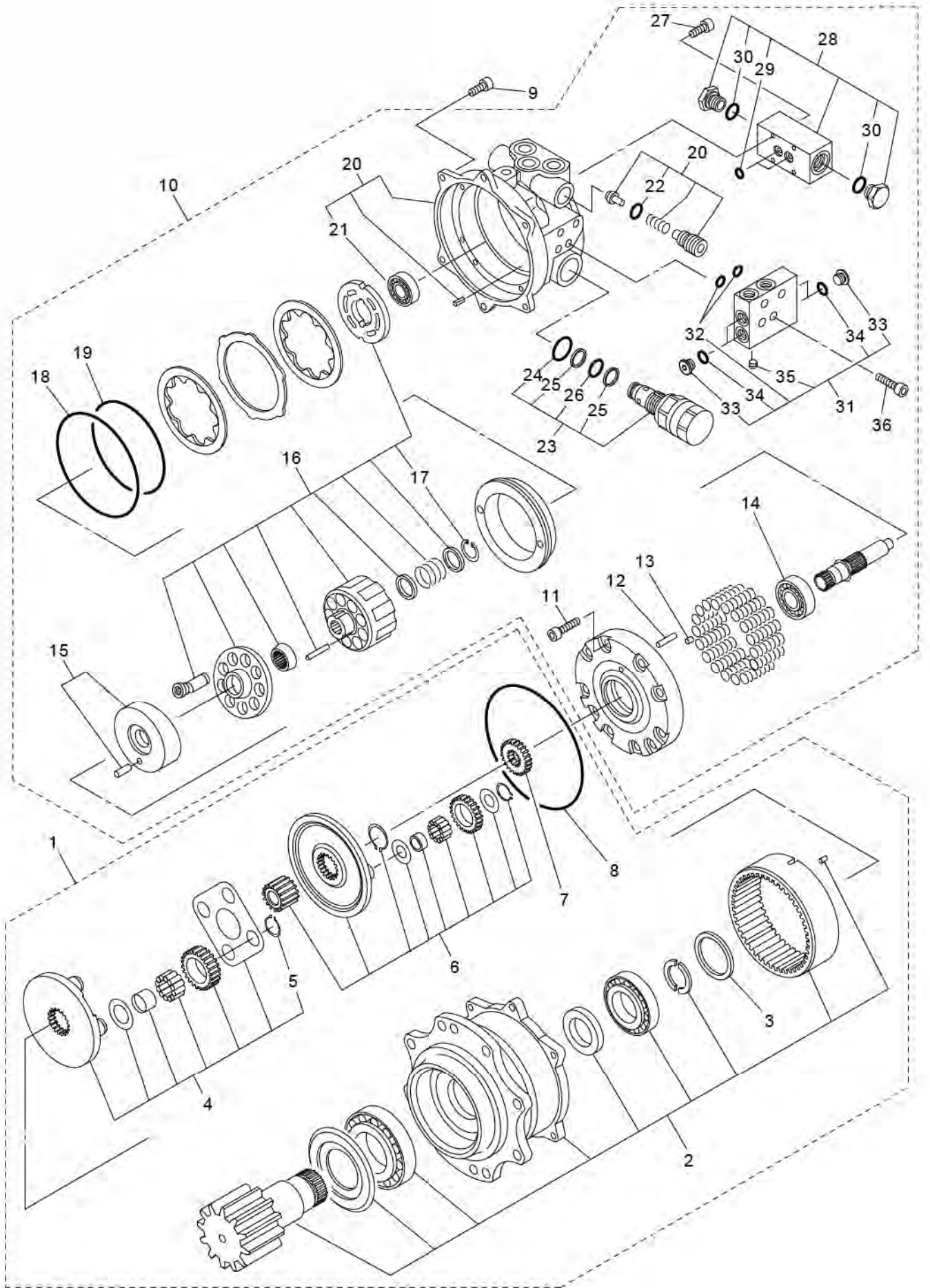
MODEL HD85V4

SHEET No 5-1

KEY No.	SUP.	PART No.	DESCRIPTION	Q'TY	CHAN.	SERIAL No.	REMARKS
0		0781 397 UA	Motor Ass'y, Traction	2		WK020001-	
1		0781 397 92	* Gear Ass'y, Reduction	1		WK020001-	
2		0753 777 90	** Kit, Floating Seal	1		WK020001-	
3		0781 345 01	** Hub	1		WK020001-	
4		0781 397 01	** Spindle	1		WK020001-	
5		0781 345 02	** Carrier	1		WK020001-	
6		0781 345 03	** Gear, Sun (1)	1		WK020001-	
7		0781 345 04	** Gear, Planetary (1)	3		WK020001-	
8		0781 301 07	** Gear, Sun (2)	1		WK020001-	
9		0781 301 08	** Gear, Planetary (2)	4		WK020001-	
10		0781 301 09	** Collar, Thrust	1		WK020001-	
11		0781 301 10	** Washer, Thrust (1)	4		WK020001-	
12		0781 301 11	** Washer, Thrust (2)	4		WK020001-	
13		0781 301 12	** Washer, Thrust (3)	3		WK020001-	
14		0781 397 02	** Cover	1		WK020001-	
15		0781 301 14	** Bearing, Ball	2		WK020001-	
16		0781 301 15	** Nut, Ring	1		WK020001-	
17		0781 301 16	** Bearing, Roller	3		WK020001-	
18		0781 301 17	** Bearing, Roller	4		WK020001-	
19		0781 301 18	** Ring	3		WK020001-	
20		0781 301 19	** Ring	4		WK020001-	
21		0781 144 31	** Plug	1		WK020001-	
22	☆	0760 617 30	** Ring, O (G230-70B)	1		WK020001-	0760 717 30
23		0760 710 16	** Ring, O	3		WK020001-	P14-90B
24		0753 788 02	** Plug	2		WK020001-	
25		0555 080 20	** Bolt, Treatment	3		WK020001-	M8X20
26		0609 024 10	** Ball, Steel	1		WK020001-	d=3/8
27		0757 675 09	** Pin, Dowel	2		WK020001-	
28		0760 710 07	** Ring, O	2		WK020001-	P7-90B
29	☆	0760 212 59	** Ring, O (259-70B)	1		WK020001-	0760 312 59
30		0753 777 39	** Ring	1		WK020001-	
31		0568 080 12	** Screw, Set	2		WK020001-	M8X12
32		0493 510 45	** Ring, Snap	1		WK020001-	d=45
33		0555 100 20	** Bolt Treatment	4		WK020001-	M10X20
34		0781 397 91	* Motor Ass'y, Hydraulic	1		WK020001-	
35		0781 301 20	** Kit, Piston	1		WK020001-	
36		0781 397 06	** Piston	1		WK020001-	
37		0781 301 22	** Shaft	1		WK020001-	
38		0781 397 03	** Plate, Swash	1		WK020001-	
39		0781 397 04	** Plate, Retainer	1		WK020001-	
40		0781 397 05	** Bowl, Thrust	1		WK020001-	
41		0781 301 26	** Plate, Timing	1		WK020001-	
42		0753 777 09	** Washer	2		WK020001-	
43		0781 301 28	** Piston	1		WK020001-	
44		0781 149 25	** Spring	10		WK020001-	
45		0781 301 29	** Spring	1		WK020001-	
46		0757 504 15	** Plate, Friction	2		WK020001-	
47		0757 504 16	** Plate	3		WK020001-	
48		0781 301 30	** Seal, Oil	1		WK020001-	
49		0781 301 31	** Ring, O	1		WK020001-	
50		0781 301 32	** Ring, O	1		WK020001-	
51		0753 777 14	** Ring, Snap	1		WK020001-	

KEY No.	SUP.	PART No.	DESCRIPTION	Q'TY	CHAN.	SERIAL No.	REMARKS
52		0630 620 60	** Bearing, Ball	1		WK020001-	# 6206
53		0781 301 33	** Bearing, Ball	1		WK020001-	
54		0781 301 34	** Needle	3		WK020001-	
55		0781 397 07	** Pivot	2		WK020001-	
56		0781 301 35	** Spring	1		WK020001-	
57		0781 303 92	* Valve Ass'y, Relief	2		WK020001-	
58		0760 710 11	** Ring, O	1		WK020001-	P10A-90B
59		0762 120 11	** Ring, Back-up	2		WK020001-	P10A-T2
60		0760 710 12	** Ring, O	1		WK020001-	P11-90B
61		0760 710 20	** Ring, O	1		WK020001-	P20-90B
62		0781 303 02	** Ring, O	1		WK020001-	
63		0781 149 56	** Orifice	1		WK020001-	
64		0781 397 93	* Valve Ass'y, Control	1		WK020001-	
65		0781 397 94	** Flange Ass'y, Rear	1		WK020001-	
66		0753 569 38	*** Plug	3		WK020001-	
67		0781 144 13	*** Plug	4		WK020001-	
68		0753 788 02	** Plug	1		WK020001-	
69		0781 301 36	** Plug	2		WK020001-	
70		0753 607 60	** Retainer, Spring	2		WK020001-	
71		0781 149 46	** Valve	2		WK020001-	
72		0781 301 37	** Spring	2		WK020001-	
73		0781 149 47	** Spring	2		WK020001-	
74		0760 710 28	** Ring, O	2		WK020001-	P26-90B
75		0760 710 19	** Ring, O	3		WK020001-	P18-90B
76		0781 397 08	** Spool	1		WK020001-	
77		0781 397 09	** Spring	1		WK020001-	
78		0753 789 12	** Plug	3		WK020001-	
79		0760 710 16	** Ring, O	1		WK020001-	P14-90B
80		0494 804 10	* Pin, Dowel	1		WK020001-	d=4X10
81		0562 120 30	* Bolt, Socket Head	8		WK020001-	M12X30

5



0781396UA-1

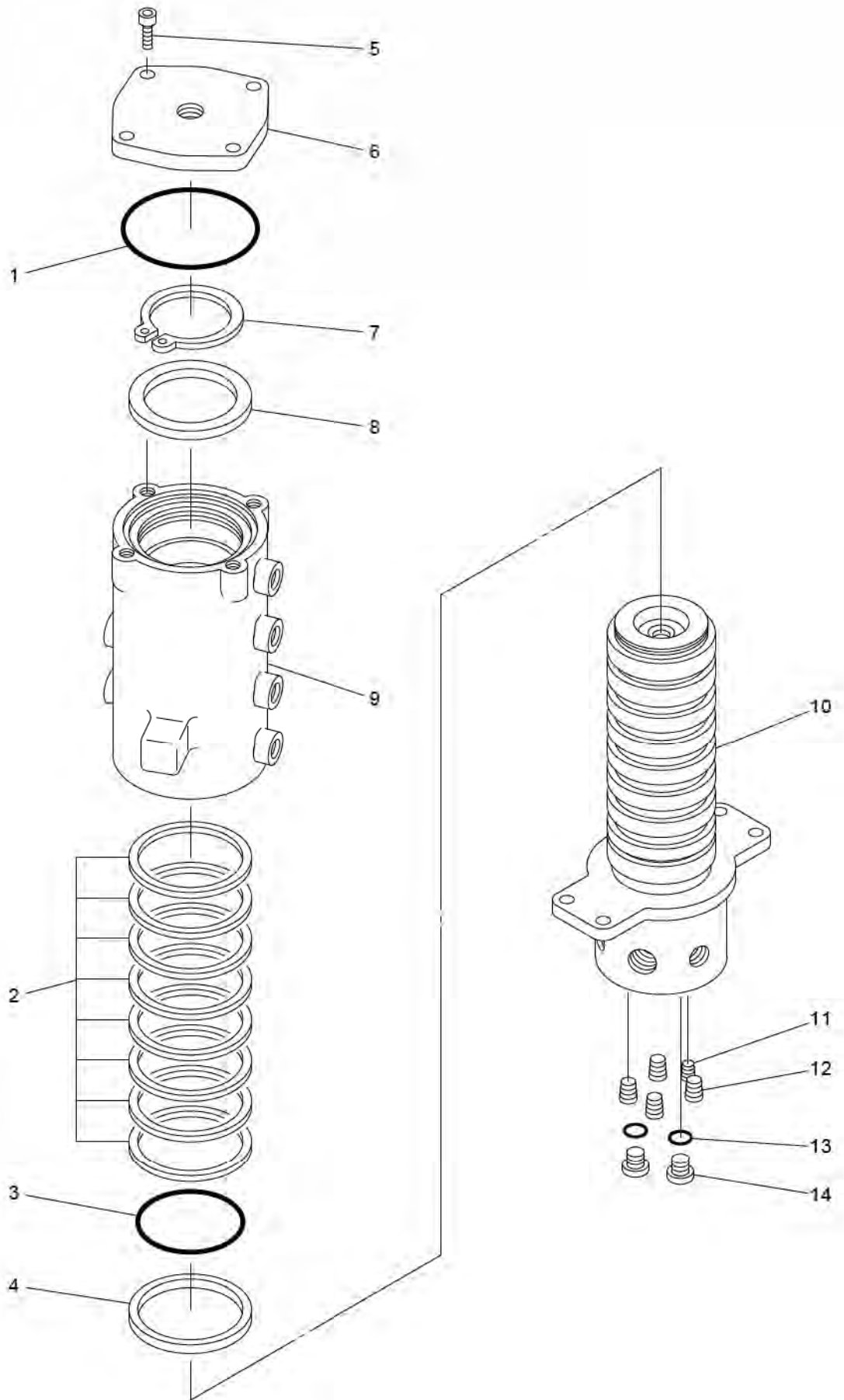
KATO HICOM

SWING MOTOR ASS'Y

MODEL HD85V4

SHEET No 5-2

KEY No.	SUP.	PART No.	DESCRIPTION	Q'TY	CHAN.	SERIAL No.	REMARKS
0		0781 396 UA	Swing Motor Ass'y	1		WK020001-	
1		0781 396 92	* Gear Ass'y, Reduction	1		WK020001-	
2		0781 396 93	** Pinion Ass'y	1		WK020001-	
3		0781 380 02	** Ring	1		WK020001-	
4		0781 380 95	** Carrier Ass'y	1		WK020001-	
5		0493 510 28	*** Ring, Snap	4		WK020001-	d=28
6		0781 380 96	** Carrier Ass'y	1		WK020001-	
7		0781 380 01	** Gear	1		WK020001-	
8		0760 212 65	** Ring, O	1		WK020001-	265-70B
9		0562 080 25	** Bolt, Socket Head	6		WK020001-	M8X25
10		0781 396 91	* Motor Ass'y	1		WK020001-	
11		0562 100 25	** Bolt, Socket Head	10		WK020001-	M10X25
12		0753 636 19	** Pin	3		WK020001-	
13		0757 618 20	** Filter	1		WK020001-	
14		0630 630 54	** Bearing	1		WK020001-	# 6305Z
15		0781 396 95	** Plate Ass'y, Swash	1		WK020001-	
16		0781 380 98	** Barel Ass'y, Cylinder	1		WK020001-	
17		0493 500 35	*** Ring, Snap	1		WK020001-	d=35
18		0760 716 25	** Ring, O	1		WK020001-	G125-90B
19		0760 716 15	** Ring, O	1		WK020001-	G115-90B
20		0781 396 94	** Body Ass'y	1		WK020001-	
21		0630 630 20	*** Bearing	1		WK020001-	# 6302
22		0760 710 12	*** Ring, O	2		WK020001-	P11-90B
23		0781 166 91	** Valve Ass'y, Relief	2		WK020001-	
24		0760 710 22	*** Ring, O	1		WK020001-	P22-90B
25		0762 120 16	*** Ring, Back-up	2		WK020001-	P14-T2
26		0760 710 16	*** Ring, O	1		WK020001-	P14-90B
27		0562 060 20	** Bolt, Socket Head	4		WK020001-	M6X20
28		0781 336 93	** Valve Ass'y, By-pass	1		WK020001-	
29		0760 710 09	*** Ring, O	2		WK020001-	P9-90B
30		0760 710 19	*** Ring, O	2		WK020001-	P18-90B
31		0781 172 94	** Valve Ass'y, Timer	1		WK020001-	
32		0760 710 07	*** Ring, O	2		WK020001-	P7-90B
33		0750 083 23	*** Plug	4		WK020001-	
34		0760 710 12	*** Ring, O	4		WK020001-	P11-90B
35		0750 083 57	*** Plug	1		WK020001-	
36		0562 060 15	** Bolt, Socket Head	4		WK020001-	M6X15



5

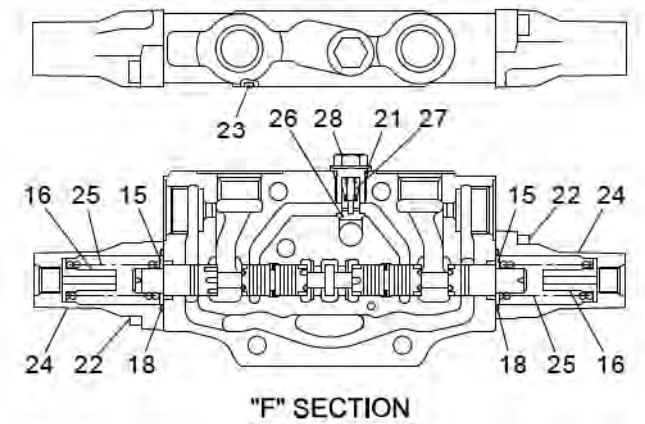
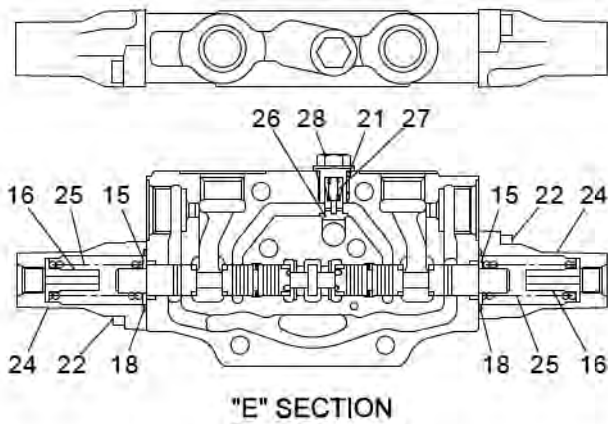
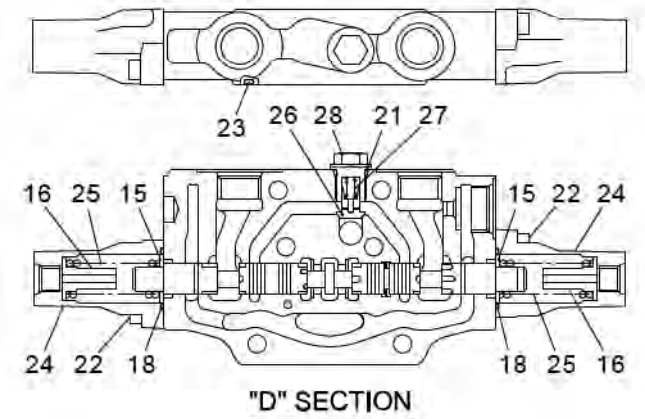
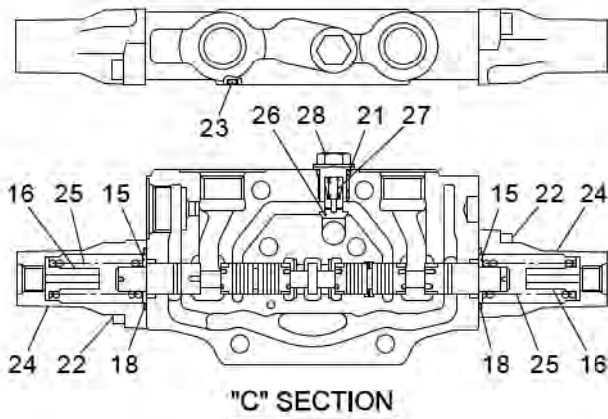
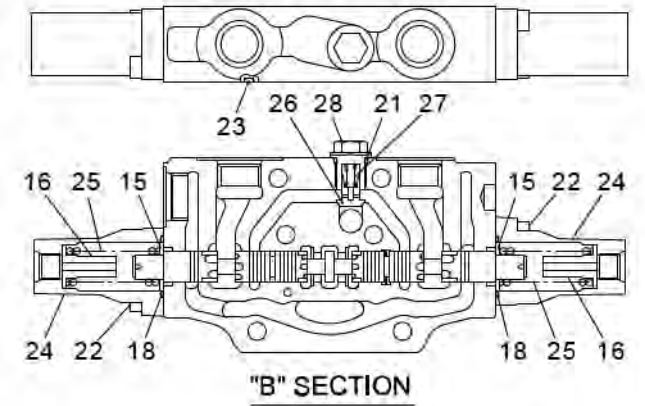
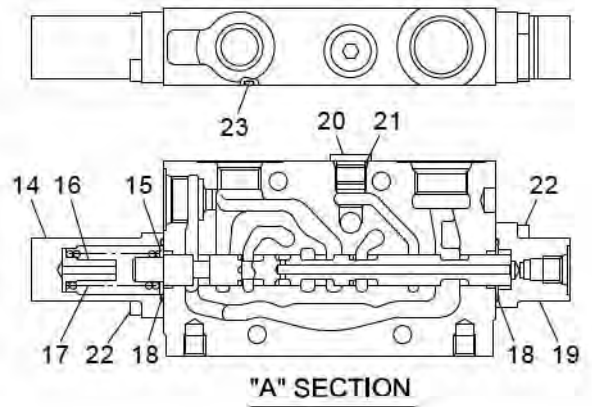
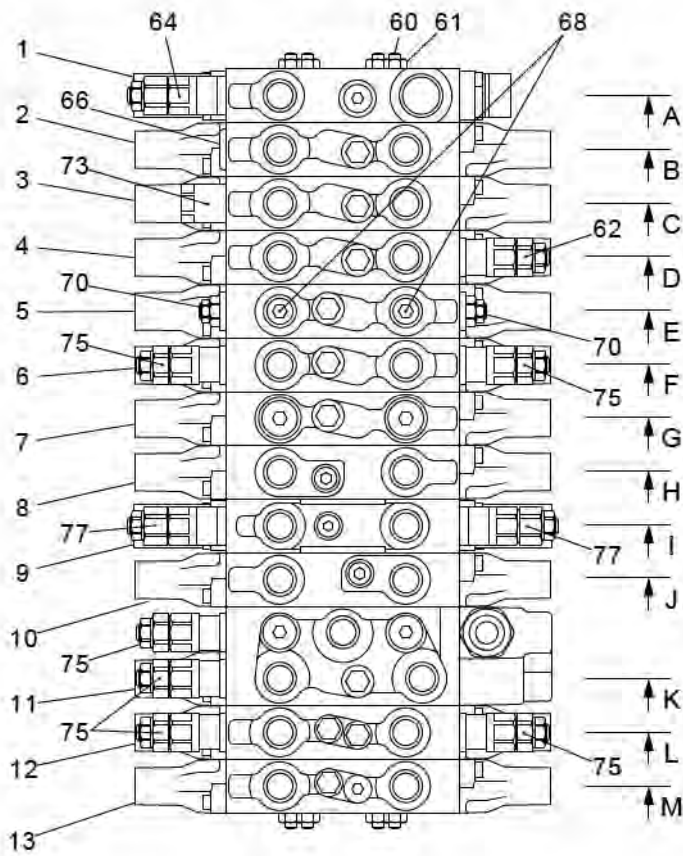
0713454UA-1
0713440UA-1

KATO HICOM

ROTARY JOINT ASS'Y

MODEL HD85V4

SHEET No 5-3



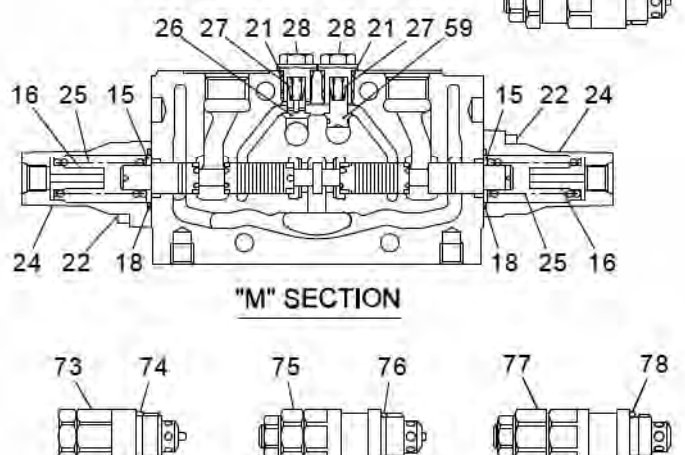
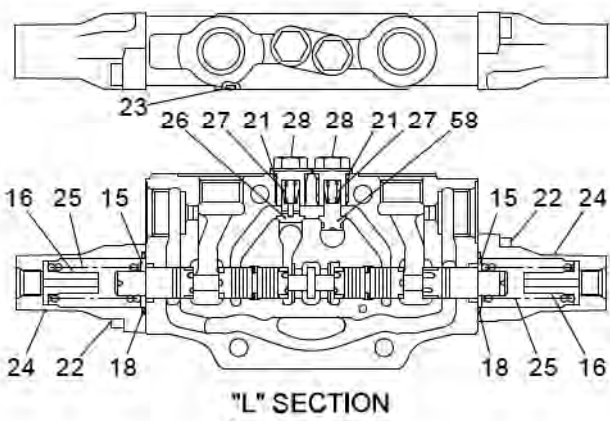
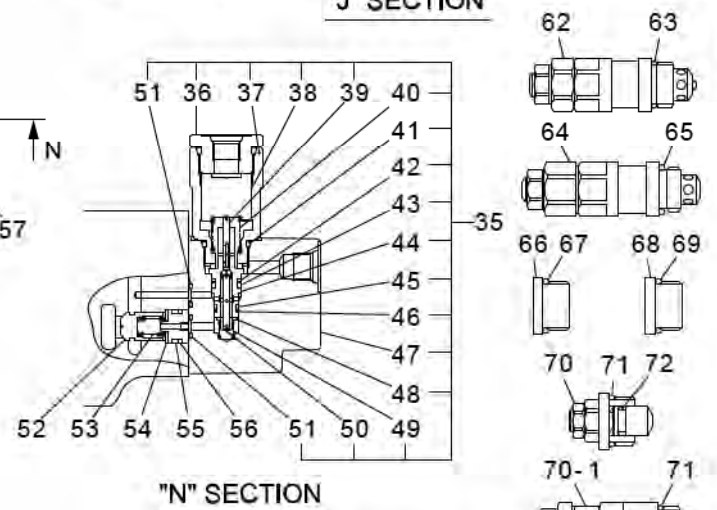
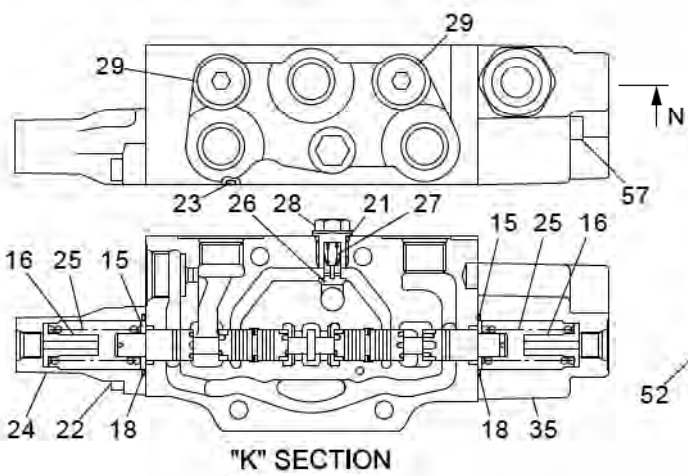
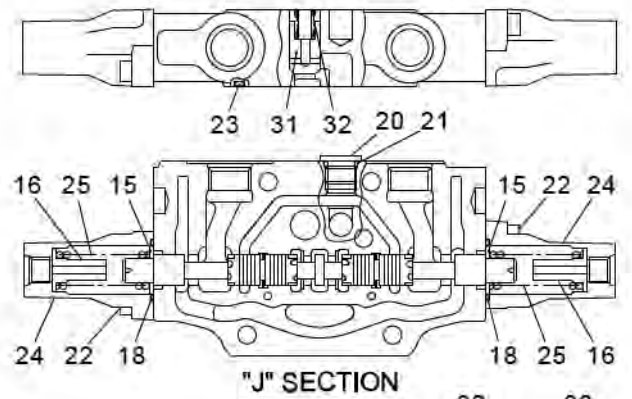
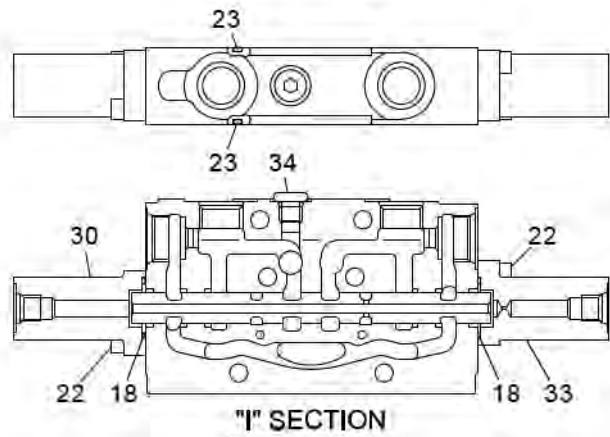
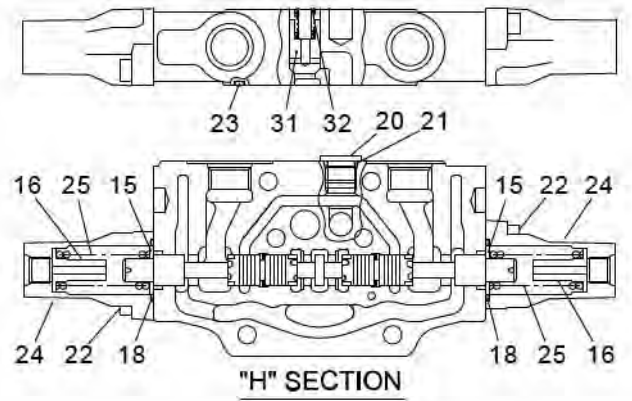
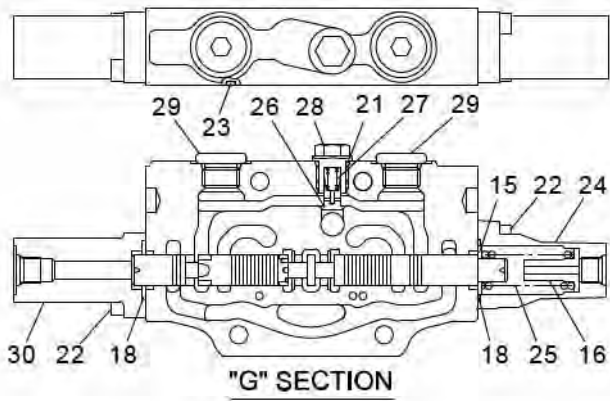
0784132UA-1

KATO HICOM

CONTROL VALVE ASS'Y(1/2)

MODEL HD85V4

SHEET No 5-4

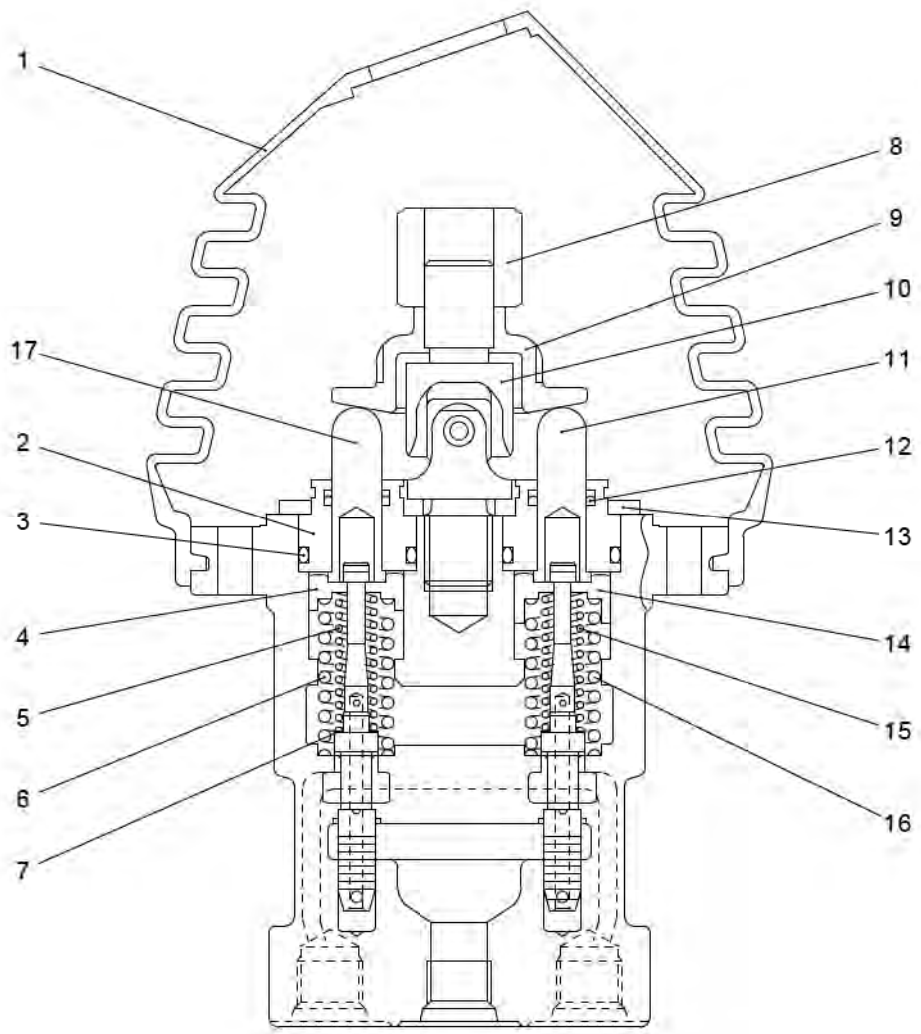


0784132UA-2

KEY No.	SUP.	PART No.	DESCRIPTION	Q'TY	CHAN.	SERIAL No.	REMARKS
0		0784 132 UA	Valve Ass'y, Control	1		WK020001-	
1		0783 974 87	* Block Ass'y	1		WK020001-	
2		0784 132 89	* Block Ass'y, Swing	1		WK020001-	
3		0784 132 90	* Block Ass'y, Boom Swing	1		WK020001-	
4		0784 132 91	* Block Ass'y, Blade	1		WK020001-	
5		0784 132 92	* Block Ass'y, Spare	1		WK020001-	
6		0784 132 93	* Block Ass'y, Arm (1)	1		WK020001-	
7		0784 132 94	* Block Ass'y, Boom (2)	1		WK020001-	
8		0784 132 95	* Block Ass'y, Travel (L.H.)	1		WK020001-	
9		0783 974 95	* Block Ass'y, Inlet	1		WK020001-	
10		0784 132 96	* Block Ass'y, Travel (R.H.)	1		WK020001-	
11		0784 132 97	* Block Ass'y, Boom (1)	1		WK020001-	
12		0784 132 98	* Block Ass'y, Bucket	1		WK020001-	
13		0784 132 99	* Block Ass'y, Arm (2)	1		WK020001-	
14		0783 677 02	** Cap	1		WK020001-	
15		0756 339 05	** Seat, Spring	22		WK020001-	
16		0783 677 03	** Seat, Spring	22		WK020001-	
17		0783 677 04	** Spring	1		WK020001-	
18		0756 339 08	** Ring, O	26		WK020001-	S24-70B
19		0783 974 03	** Cap	1		WK020001-	
20		0783 842 02	** Plug	3		WK020001-	
21		0783 677 06	** Ring, O	14		WK020001-	
22		0562 060 18	** Bolt, Socket Head	50		WK020001-	M6X18
23	☆	0760 615 70	** Ring, O (G70-70B)	12		WK020001-	0760 715 70
24		0783 677 07	** Cap	20		WK020001-	
25		0783 970 01	** Spring	21		WK020001-	
26		0783 677 09	** Poppet	9		WK020001-	
27		0783 677 10	** Spring	11		WK020001-	
28		0783 677 05	** Plug	11		WK020001-	
29		0783 646 83	** Plug Ass'y	4		WK020001-	
29-1		0760 710 16	*** Ring, O	1		WK020001-	P14-90B
30		0783 677 18	** Cap	2		WK020001-	
31		0756 339 20	** Poppet	2		WK020001-	
32		0753 904 11	** Spring	2		WK020001-	
33		0783 974 04	** Cap	1		WK020001-	
34		0783 677 83	** Plug Ass'y	1		WK020001-	
34-1		0760 710 08	*** Ring, O	1		WK020001-	P8-90B
35		0783 846 83	** Valve Ass'y, Anti drift	1		WK020001-	
36		0756 339 80	*** Plug Ass'y	1		WK020001-	
37		0783 677 24	*** Plug	1		WK020001-	
38		0783 749 02	*** Piston	1		WK020001-	
39		0783 677 26	*** Spool	1		WK020001-	
40		0783 677 28	*** Spring	1		WK020001-	
41		0753 101 09	*** Ring, O	1		WK020001-	
42		0762 120 11	*** Ring, Back-up	1		WK020001-	P10A-T2
43	☆	0760 610 11	*** Ring, O (P10A-70B)	1		WK020001-	0760 710 11
44		0783 677 27	*** Sleeve	1		WK020001-	
45	☆	0760 610 09	*** Ring, O (P9-70B)	1		WK020001-	0760 710 09
46		0762 120 09	*** Ring, Back-up	1		WK020001-	P9-T2
47		0783 749 01	*** Body	1		WK020001-	
48		0783 677 30	*** Seat, Spring	1		WK020001-	
49		0783 677 29	*** Spring	1		WK020001-	

KEY No.	SUP.	PART No.	DESCRIPTION	Q'TY	CHAN.	SERIAL No.	REMARKS
50		0783 677 23	*** Poppet	1		WK020001-	
51		0760 710 07	*** Ring, O	2		WK020001-	P7-90B
52		0783 677 21	** Poppet	1		WK020001-	
53		0756 339 25	** Spring	1		WK020001-	
54		0783 677 22	** Spacer	1		WK020001-	
55	☆	0760 610 15	** Ring, O (P12.5-70B)	1		WK020001-	0760 710 15
56		0762 120 15	** Ring, Back-up	1		WK020001-	P12.5-T2
57		0562 060 50	** Bolt, Socket Head	5		WK020001-	M6X50
58		0783 974 01	** Poppet	1		WK020001-	
59		0784 132 01	** Poppet	1		WK020001-	
60		0783 842 01	* Rod, Tie	4		WK020001-	
61		0580 080 00	* Nut	8		WK020001-	M8
62		0783 698 92	* Valve Ass'y, Relief	1		WK020001-	29.4MPa-10L
63		0760 319 10	** Ring, O	1		WK020001-	910-90B
64		0783 698 95	* Valve Ass'y, Relief	1		WK020001-	21.6MPa-53L
65		0760 319 10	** Ring, O	1		WK020001-	910-90B
66		0756 339 81	* Plug Ass'y	1		WK020001-	
67		0760 710 19	** Ring, O	1		WK020001-	P18-90B
68		0783 646 84	* Plug Ass'y	2		WK020001-	
69		0760 710 19	** Ring, O	1		WK020001-	P18-90B
70		0783 646 85	* Valve Ass'y, Shut-off	2		WK020001-	
70-1		0785 642 UA	* Valve Ass'y, Over Load Relief	2		WK020001-	Option 13.7MPa-75L
70-2		0785 643 UA	* Valve Ass'y, Over Load Relief	2		WK020001-	Option 17.2MPa-75L
70-3		0785 644 UA	* Valve Ass'y, Over Load Relief	2		WK020001-	Option 20.6MPa-75L
71		0760 319 10	** Ring, O	1		WK020001-	910-90B
72	☆	0760 610 11	** Ring, O (P10A-70B)	1		WK020001-	0760 710 11
73		0783 846 88	* Valve Ass'y, Anti Void	1		WK020001-	
74		0760 319 10	** Ring, O	1		WK020001-	910-90B
75		0783 974 85	* Valve Ass'y, Relief	6		WK020001-	27.5MPa-10L
76		0760 319 10	** Ring, O	1		WK020001-	910-90B
77		0783 698 94	* Valve Ass'y, Relief	2		WK020001-	24.5MPa-71L
78		0760 319 10	** Ring, O	1		WK020001-	910-90B

5



0784127UA-1

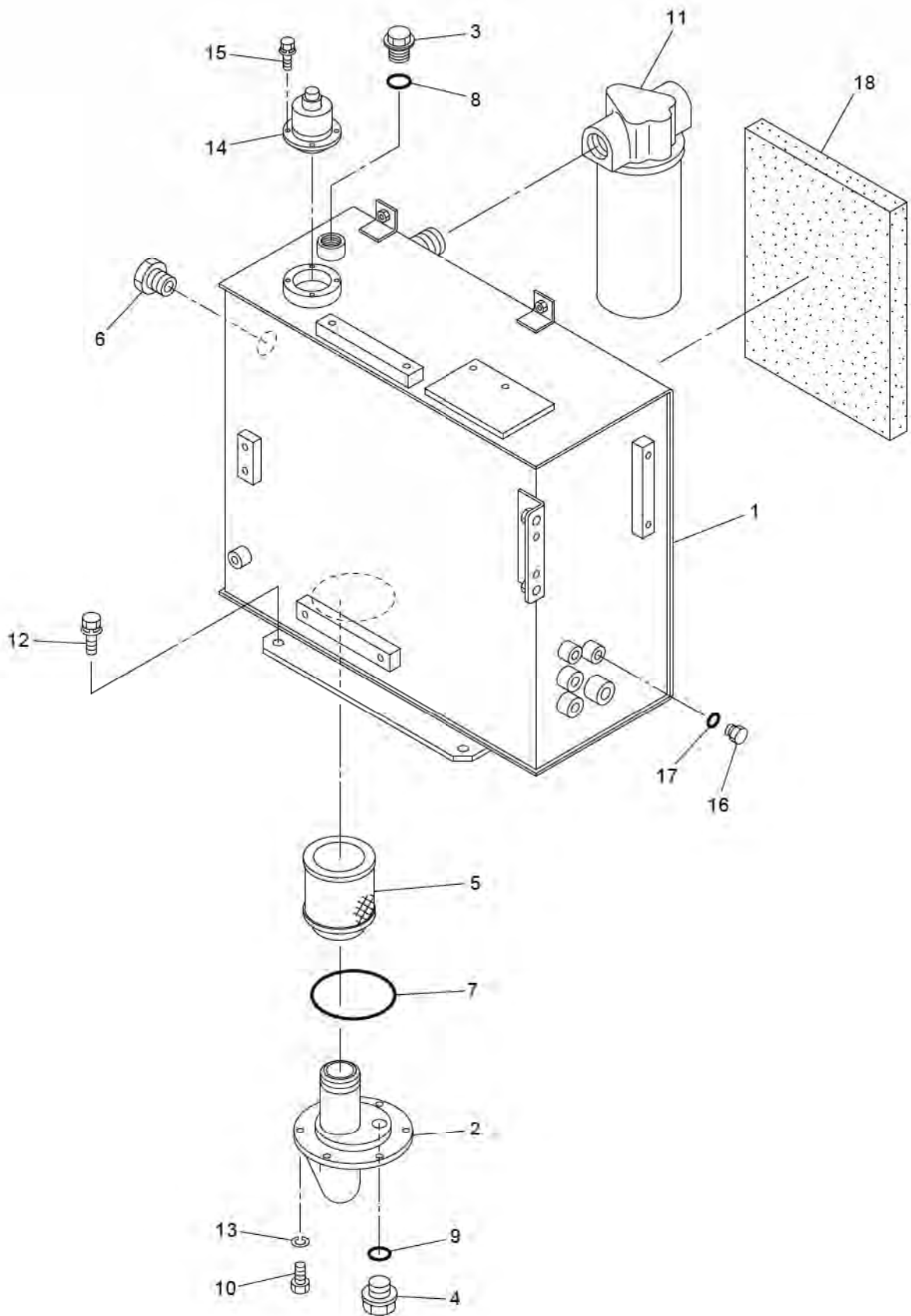
KATO HICOM

REMOTE CONTROL VALVE ASS'Y

MODEL HD85V4

SHEET No 5-5

KEY No.	SUP.	PART No.	DESCRIPTION	Q'TY	CHAN.	SERIAL No.	REMARKS
0		0784 127 UA	Valve Ass'y, Remote Control	1		WK020001-	
1		0783 771 07	* Boot	1		WK020001-	
2		0756 735 09	* Plug	4		WK020001-	
3		0760 710 20	* Ring, O	4		WK020001-	P20-90B
4		0784 127 02	* Seat, Spring (No.2, 4, Ports)	2		WK020001-	
5		0784 127 03	* Spring (No.2, 4, Ports)	2		WK020001-	
6		0783 700 09	* Spring (No.2, 4, Ports)	2		WK020001-	
7		0756 735 15	* Washer	4		WK020001-	
8		0783 771 03	* Nut, Adjusting	1		WK020001-	
9		0783 700 12	* Plate	1		WK020001-	
10		0756 303 07	* Joint	1		WK020001-	
11		0756 744 11	* Rod, Push (No.1, 3, Ports)	2		WK020001-	
12		0756 611 13	* Seal	4		WK020001-	
13		0783 756 01	* Plate	1		WK020001-	
14		0783 700 08	* Seat, Spring (No.1, 3, Ports)	2		WK020001-	
15		0783 964 01	* Spring (No.1, 3, Ports)	2		WK020001-	
16		0783 700 10	* Spring (No.1, 3, Ports)	2		WK020001-	
17		0784 127 01	* Rod, Push (No.2, 4, Ports)	2		WK020001-	



80V4-050600-1

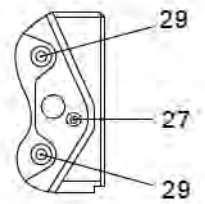
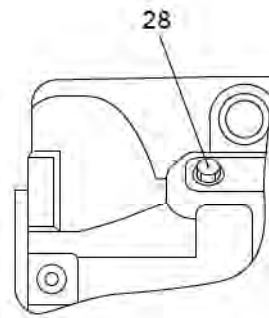
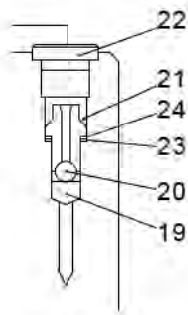
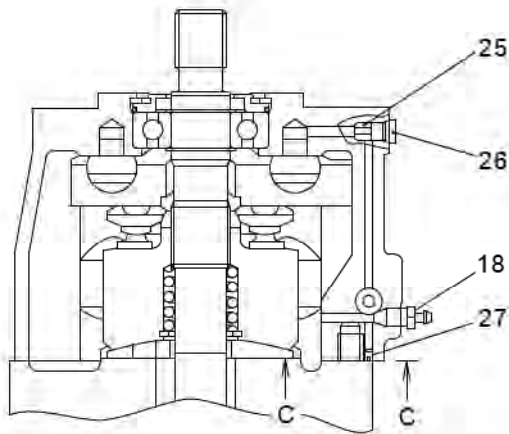
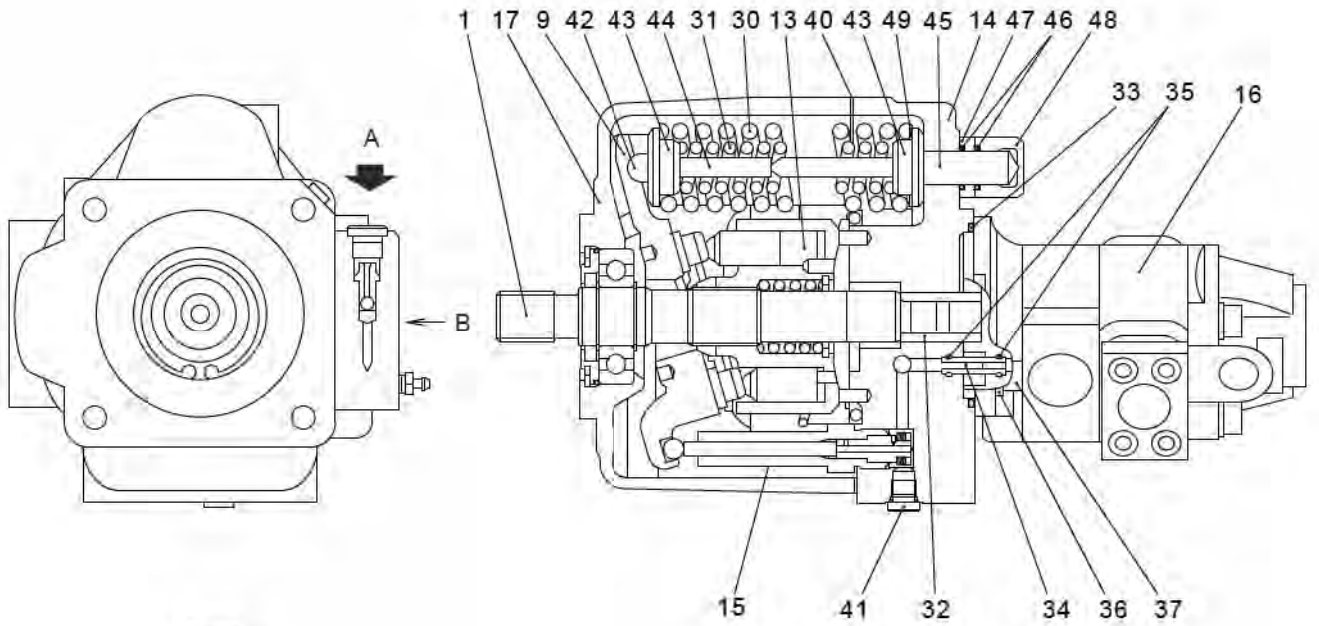
KATO HICOM

MODEL HD85V4

HYDRAULIC OIL TANK ASS'Y

SHEET No 5-6

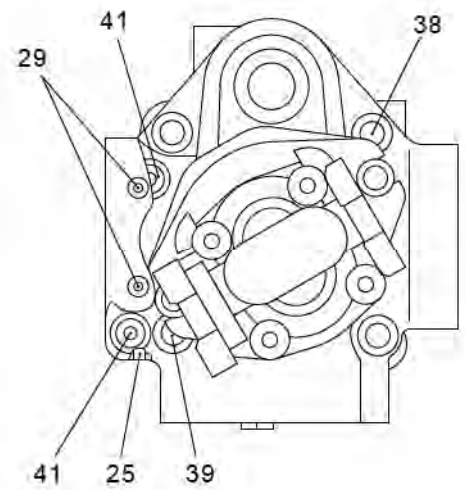
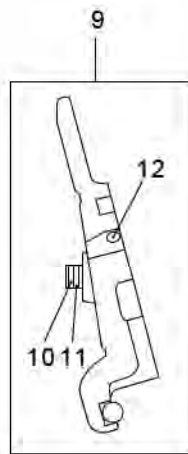
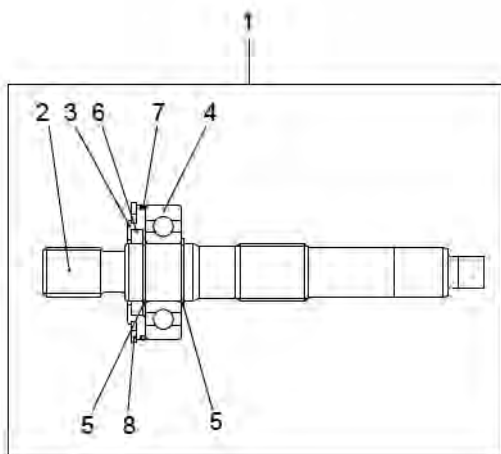
KEY No.	SUP.	PART No.	DESCRIPTION	Q'TY	CHAN.	SERIAL No.	REMARKS
0	×	F342 889 00	Tank Ass'y, Hydraulic Oil	1		WK020001-	
1	△	D284 270 00	* Tank, Hydraulic Oil	1		WK020001-	
2		D286 344 00	* Tube	1		WK020001-	
3		4072 887 00	* Plug	1		WK020001-	
4		4077 036 00	* Plug, Drain	1		WK020001-	M24
5		0759 106 UA	* Strainer, Suction	1		WK020001-	
6		4079 027 00	* Gauge, Level	1		WK020001-	
7		0760 711 30	* Ring, O	1		WK020001-	P130-90B
8		0760 710 30	* Ring, O	1		WK020001-	P29-90B
9		0760 312 11	* Ring, O	1		WK020001-	P211-90B
10		0555 100 20	* Bolt, Treatment	6		WK020001-	M10X20
11		0759 116 UA	* Filter, Return	1		WK020001-	
11-1		0759 116 03	** Cartridge Ass'y	1		WK020001-	
11-2		0759 114 UA	** Valve Ass'y	1		WK020001-	
12		0518 120 30	* Bolt, Treatment (W/L.W, F.W)	4		WK020001-	M12X30 P=1.25
13		0590 100 00	* Washer, Lock	6		WK020001-	M10
14		0787 305 UA	* Breather, Air	1		WK020001-	
15		0517 060 16	* Bolt, Treatment (W/L.W, F.W)	4		WK020001-	M6X16
16		0710 212 04	* Plug	1		WK020001-	
17		0760 710 12	* Ring, O	1		WK020001-	P11-90B
18		D494 100 00	* Panel, Sponge	1		WK020001-	



"A" DETAIL

"B" VIEW

"C-C" SECTION



0780187UA-1

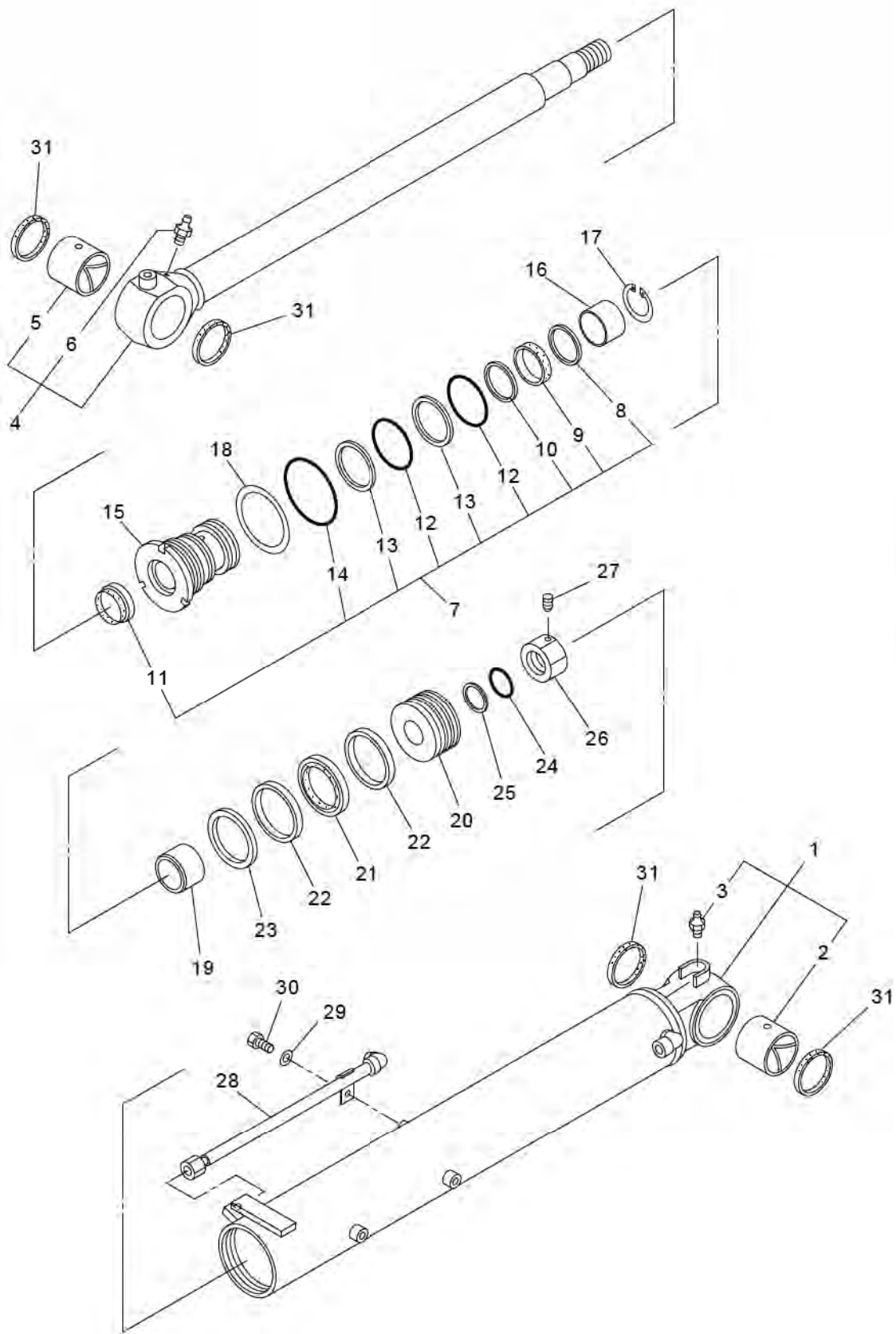
KATO HICOM

OIL PUMP ASS'Y

MODEL HD85V4

SHEET No 5-7

KEY No.	SUP.	PART No.	DESCRIPTION	Q'TY	CHAN.	SERIAL No.	REMARKS
0		0780 187 UA	Pump Ass'y, Oil	1		WK020001-	
1		0780 187 91	* Shaft Ass'y	1		WK020001-	
2		0780 187 19	** Shaft	1		WK020001-	
3		0780 187 20	** Case, Seal	1		WK020001-	
4		0780 187 21	** Bearing	1		WK020001-	
5		0493 510 35	** Ring, Snap	2		WK020001-	d=35
6		0780 187 22	** Seal, Oil	1		WK020001-	
7	☆	0760 211 51	** Ring, O (151-70B)	1		WK020001-	0763 311 51
8		0493 500 80	** Ring, Snap	1		WK020001-	d=80
9		0780 187 92	* Plate Ass'y, Swash	1		WK020001-	
10		0760 710 12	** Ring, O	1		WK020001-	P11-90B
11		0762 120 12	** Ring, Back-up	1		WK020001-	P11-T2
12		0780 187 23	** Plug	1		WK020001-	
13		0780 187 93	* Rotary Ass'y	1		WK020001-	
14		0780 187 94	* Plate Ass'y	1		WK020001-	
15		0780 187 95	* Piston Ass'y	1		WK020001-	
16		0780 187 96	* Pump Ass'y, Gear	1		WK020001-	
17		0780 187 01	* Housing	1		WK020001-	
18		0780 187 02	* Valve Ass'y	1		WK020001-	
19		0780 187 03	* Bushing	1		WK020001-	
20		0780 187 04	* Ball, Steel	1		WK020001-	
21		0780 187 05	* Plug	1		WK020001-	
22		0780 187 06	* Plug	1		WK020001-	
23		0780 187 07	* Packing	1		WK020001-	
24		0780 187 08	* Shim	1		WK020001-	t=0.3
25		0780 187 09	* Plug	2		WK020001-	
26		0780 187 10	* Plug Ass'y	1		WK020001-	
27		0780 187 11	* Orifice	1		WK020001-	
28		0780 187 12	* Plug	1		WK020001-	
29		0780 187 13	* Ring, Square	4		WK020001-	
30		0780 187 14	* Spring	1		WK020001-	
31		0780 187 15	* Spring	1		WK020001-	
32		0780 187 16	* Coupling	1		WK020001-	
33		0760 716 05	* Ring, O	1		WK020001-	G105-90B
34		0780 187 17	* Sleeve	1		WK020001-	
35		0760 710 07	* Ring, O	2		WK020001-	P7-90B
36		0780 187 18	* Washer, Flat	2		WK020001-	M12
37		0562 120 35	* Bolt, Socket Head	2		WK020001-	M12X35
38		0562 140 40	* Bolt, Socket Head	3		WK020001-	M14X40
39		0562 140 70	* Bolt, Socket Head	1		WK020001-	M14X70
40		0780 187 24	* Packing	1		WK020001-	
41		0780 187 25	* Plug	3		WK020001-	
42		0780 187 26	* Ball, Steel	1		WK020001-	
43		0780 187 27	* Retainer, Spring	2		WK020001-	
44		0780 187 28	* Guide	1		WK020001-	
45		0780 187 29	* Screw, Adjusting	1		WK020001-	
46		0760 310 20	* Ring, O	2		WK020001-	020-90B
47		0780 187 30	* Nut, Hex.	1		WK020001-	M20
48		0780 187 31	* Cap	1		WK020001-	
49		0780 187 32	* Shim	AR		WK020001-	t=0.3
49-1		0780 187 33	* Shim	AR		WK020001-	t=0.5
49-2		0780 187 34	* Shim	AR		WK020001-	t=1.0



0782649UA-1

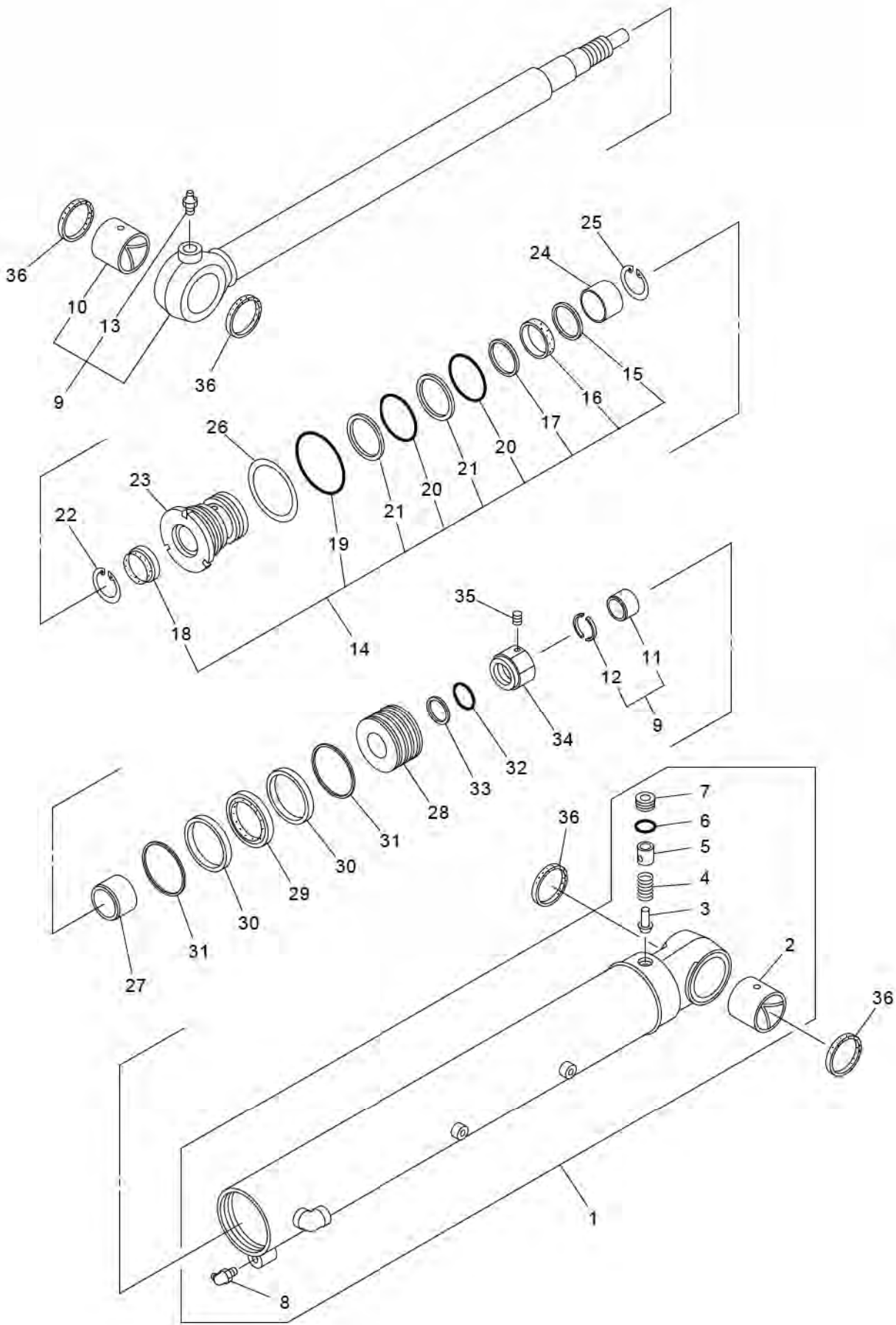
KATO HICOM

BOOM CYLINDER ASS'Y

MODEL HD85V4

SHEET No 5-8

KEY No.	SUP.	PART No.	DESCRIPTION	Q'TY	CHAN.	SERIAL No.	REMARKS
0		0782 649 UA	Cylinder Ass'y, Boom	1		WK020001-	
1	×	**** **	* Tube Ass'y, Cylinder	1		WK020001-	
2		0782 313 02	** Bushing	1		WK020001-	
3		0728 111 15	** Nipple, Grease	1		WK020001-	PT1/8
4		0782 649 92	* Rod Ass'y, Piston	1		WK020001-	
5		0782 313 02	** Bushing	1		WK020001-	
6		0728 111 15	** Nipple, Grease	1		WK020001-	PT1/8
7		0782 649 93	* Kit, Seal	1		WK020001-	
8	×	0782 313 08	** Ring, Buffer	1		WK020001-	
9	×	0782 649 09	** Ring, U	1		WK020001-	
10	×	0782 649 10	** Ring, Back-up	1		WK020001-	
11	×	0782 649 11	** Ring, Wiper	1		WK020001-	
12	×	0760 716 20	** Ring, O	2		WK020001-	G120-90B
13	×	0782 649 13	** Ring, Back-up	2		WK020001-	
14	×	0760 716 25	** Ring, O	1		WK020001-	G125-90B
15		0782 649 05	* Head, Cylinder	1		WK020001-	
16		0782 313 06	* Bushing	1		WK020001-	
17		0493 710 82	* Ring, Snap	1		WK020001-	d=82
18		0782 313 14	* Washer	1		WK020001-	
19		0782 313 15	* Bearing, Cushion	1		WK020001-	
20		0782 649 17	* Piston	1		WK020001-	
21		0782 649 18	* Ring Ass'y, Seal	1		WK020001-	
22		0782 313 18	* Ring, Slide	2		WK020001-	
23		0782 313 19	* Ring, Wiper	1		WK020001-	
24		0782 313 20	* Ring, O	1		WK020001-	
25		0782 649 22	* Ring, Back-up	1		WK020001-	
26		0782 649 23	* Nut	1		WK020001-	
27		0561 080 16	* Screw, Set	1		WK020001-	M8X16
28		0782 649 25	* Pipe Ass'y	1		WK020001-	
29		0782 649 26	* Washer, Flat	1		WK020001-	M8
30		0782 649 27	* Bolt, Hex.	1		WK020001-	M8
31		0782 313 28	* Seal, Dust	4		WK020001-	



0782648UA-1

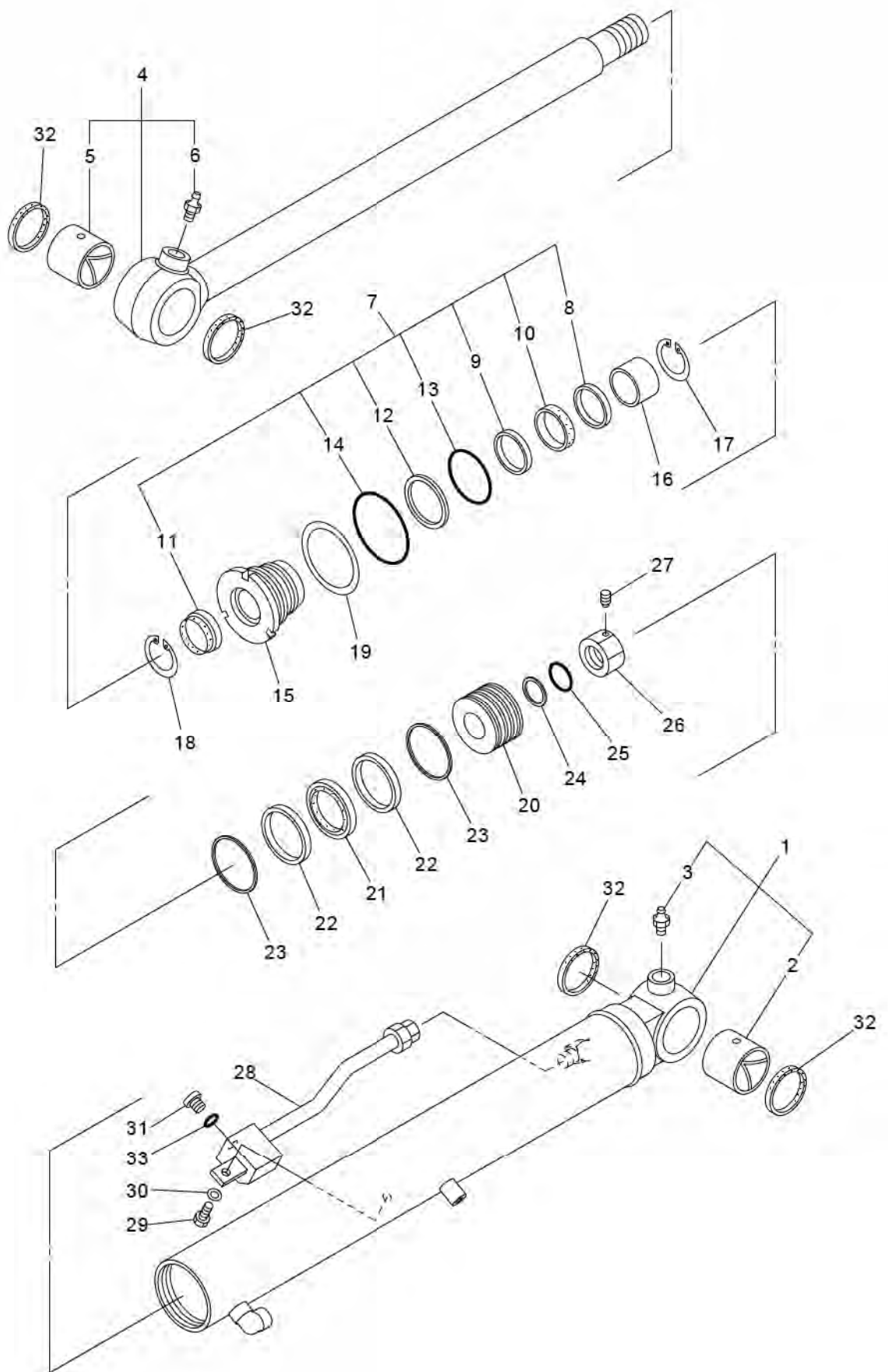
KATO HICOM

ARM CYLINDER ASS'Y

MODEL HD85V4

SHEET No 5-9

KEY No.	SUP.	PART No.	DESCRIPTION	Q'TY	CHAN.	SERIAL No.	REMARKS
0		0782 648 UA	Cylinder Ass'y, Arm	1		WK020001-	
1	×	**** **	* Tube Ass'y, Cylinder	1		WK020001-	
2		0782 317 02	** Bushing	1		WK020001-	
3		0782 648 28	** Valve, Check	1		WK020001-	
4		0782 317 28	** Spring	1		WK020001-	
5		0782 317 29	** Support, Spring	1		WK020001-	
6		0760 710 16	** Ring, O	1		WK020001-	P14-90B
7		0782 648 32	** Plug	1		WK020001-	
8		0728 111 65	** Nipple, Grease	1		WK020001-	PT1/8X90
9		0782 648 92	* Rod Ass'y, Piston	1		WK020001-	
10		0782 317 02	** Bushing	1		WK020001-	
11		0782 317 25	** Bearing, Cushion	1		WK020001-	
12		0782 317 26	** Stopper	1		WK020001-	
13		0728 111 15	** Nipple, Grease	1		WK020001-	PT1/8
14		0782 648 93	* Kit, Seal	1		WK020001-	
15	×	0782 317 08	** Ring, Buffer	1		WK020001-	
16	×	0782 648 09	** Ring, U	1		WK020001-	
17	×	0782 648 10	** Ring, Back-up	1		WK020001-	
18	×	0782 317 10	** Ring, Wiper	1		WK020001-	
19	×	0760 716 05	** Ring, O	1		WK020001-	G105-90B
20	×	0760 716 00	** Ring, O	2		WK020001-	G100-90B
21	×	0782 648 14	** Ring, Back-up	2		WK020001-	
22		0493 710 82	* Ring, Snap	1		WK020001-	d=82
23		0782 648 05	* Head, Cylinder	1		WK020001-	
24		0782 317 06	* Bushing	1		WK020001-	
25		0493 710 72	* Ring, Snap	1		WK020001-	d=72
26		0782 317 15	* Washer	1		WK020001-	
27		0782 317 16	* Bearing, Cushion	1		WK020001-	
28		0782 648 18	* Piston	1		WK020001-	
29		0782 648 19	* Ring Ass'y, Seal	1		WK020001-	
30		0782 317 19	* Ring, Slide	2		WK020001-	
31		0782 317 20	* Ring, Wiper	2		WK020001-	
32		0782 317 21	* Ring, O	1		WK020001-	
33		0782 317 22	* Ring, Back-up	1		WK020001-	
34		0782 648 24	* Nut	1		WK020001-	
35		0561 080 16	* Screw, Set	1		WK020001-	M8X16
36		0782 317 35	* Seal, Dust	4		WK020001-	



0782650UA-1

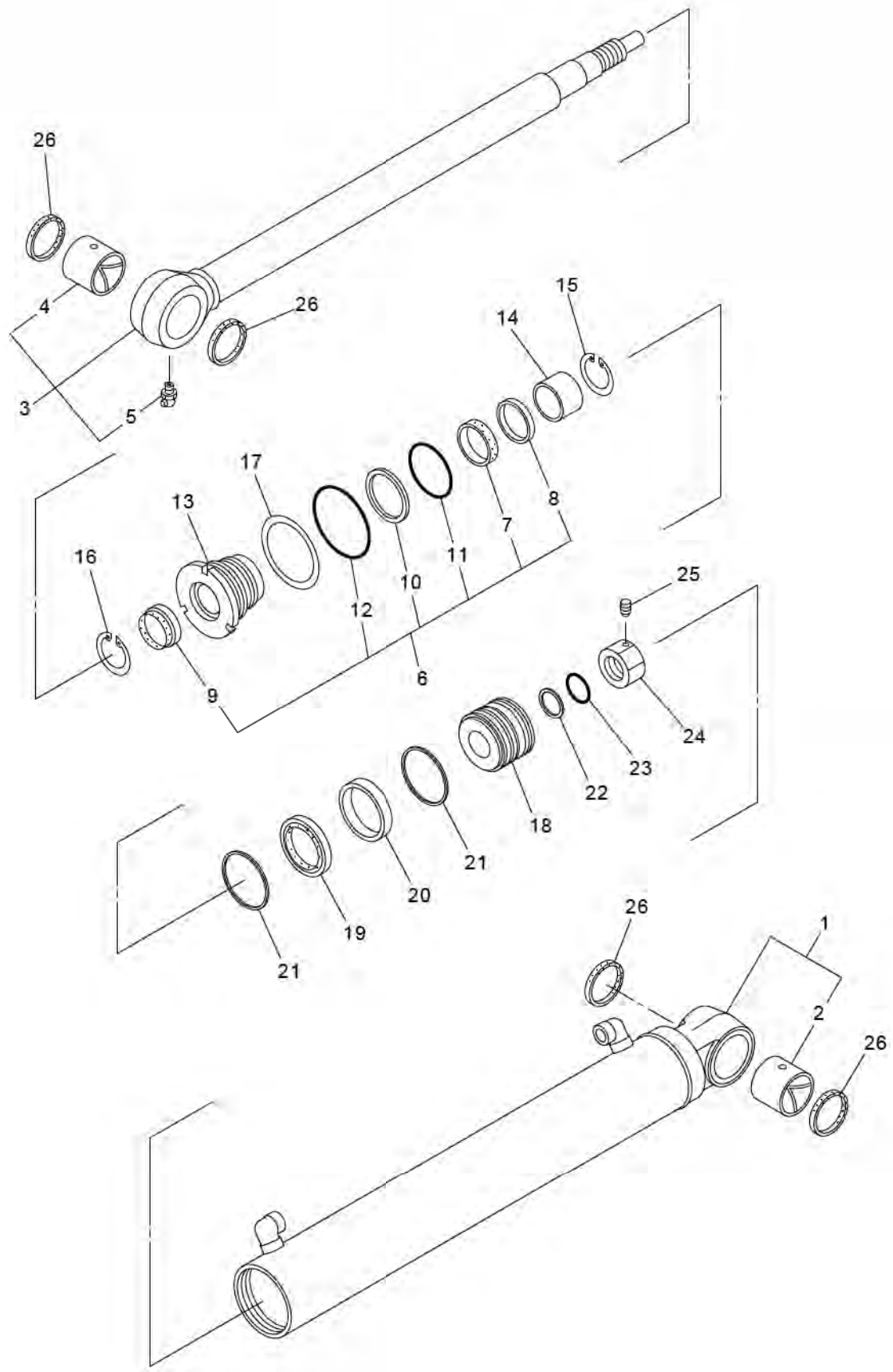
KATO HICOM

BUCKET CYLINDER ASS'Y

MODEL HD85V4

SHEET No 5-10

KEY No.	SUP.	PART No.	DESCRIPTION	Q'TY	CHAN.	SERIAL No.	REMARKS
0		0782 650 UA	Cylinder Ass'y, Bucket	1		WK020001-	
1	×	**** **	* Tube Ass'y, Cylinder	1		WK020001-	
2		0782 316 02	** Bushing	1		WK020001-	
3		0728 111 15	** Nipple, Grease	1		WK020001-	PT1/8
4		0782 650 92	* Rod Ass'y, Piston	1		WK020001-	
5		0752 316 02	** Bushing	1		WK020001-	
6		0728 111 15	** Nipple, Grease	1		WK020001-	PT1/8
7		0782 650 93	* Kit, Seal	1		WK020001-	
8	×	0782 316 08	** Ring, Buffer	1		WK020001-	
9	×	0782 650 10	** Ring, Back-up	1		WK020001-	
10	×	0782 650 09	** Ring, U	1		WK020001-	
11	×	0782 316 10	** Ring, Wiper	1		WK020001-	
12	×	0782 650 14	** Ring, Back-up	1		WK020001-	
13	×	0760 715 85	** Ring, O	1		WK020001-	G85-90B
14	×	0760 715 90	** Ring, O	1		WK020001-	G90-90B
15		0782 650 05	* Head, Cylinder	1		WK020001-	
16		0782 316 06	* Bushing	1		WK020001-	
17		0493 710 55	* Ring, Snap	1		WK020001-	d=55
18		0493 710 62	* Ring, Snap	1		WK020001-	d=62
19		0782 316 15	* Washer	1		WK020001-	
20		0782 650 17	* Piston	1		WK020001-	
21		0782 650 18	* Ring Ass'y, Seal	1		WK020001-	
22		0782 316 18	* Ring, Wiper	2		WK020001-	
23		0782 316 19	* Ring, Slide	2		WK020001-	
24		0782 650 22	* Ring, Back-up	1		WK020001-	
25		0760 715 40	* Ring, O	1		WK020001-	G40-90B
26		0782 650 23	* Nut	1		WK020001-	
27		0561 080 16	* Screw, Set	1		WK020001-	M8X16
28		0782 650 25	* Pipe Ass'y	1		WK020001-	
29		0513 100 20	* Bolt, Treatment	1		WK020001-	M10X20
30		0593 100 00	* Washer, Flat	1		WK020001-	M10
31		0782 650 28	* Plug	1		WK020001-	
32		0782 316 29	* Seal, Dust	4		WK020001-	
33		0760 319 09	* Ring, O	1		WK020001-	909-90B



0782651UA-1

KATO HICOM

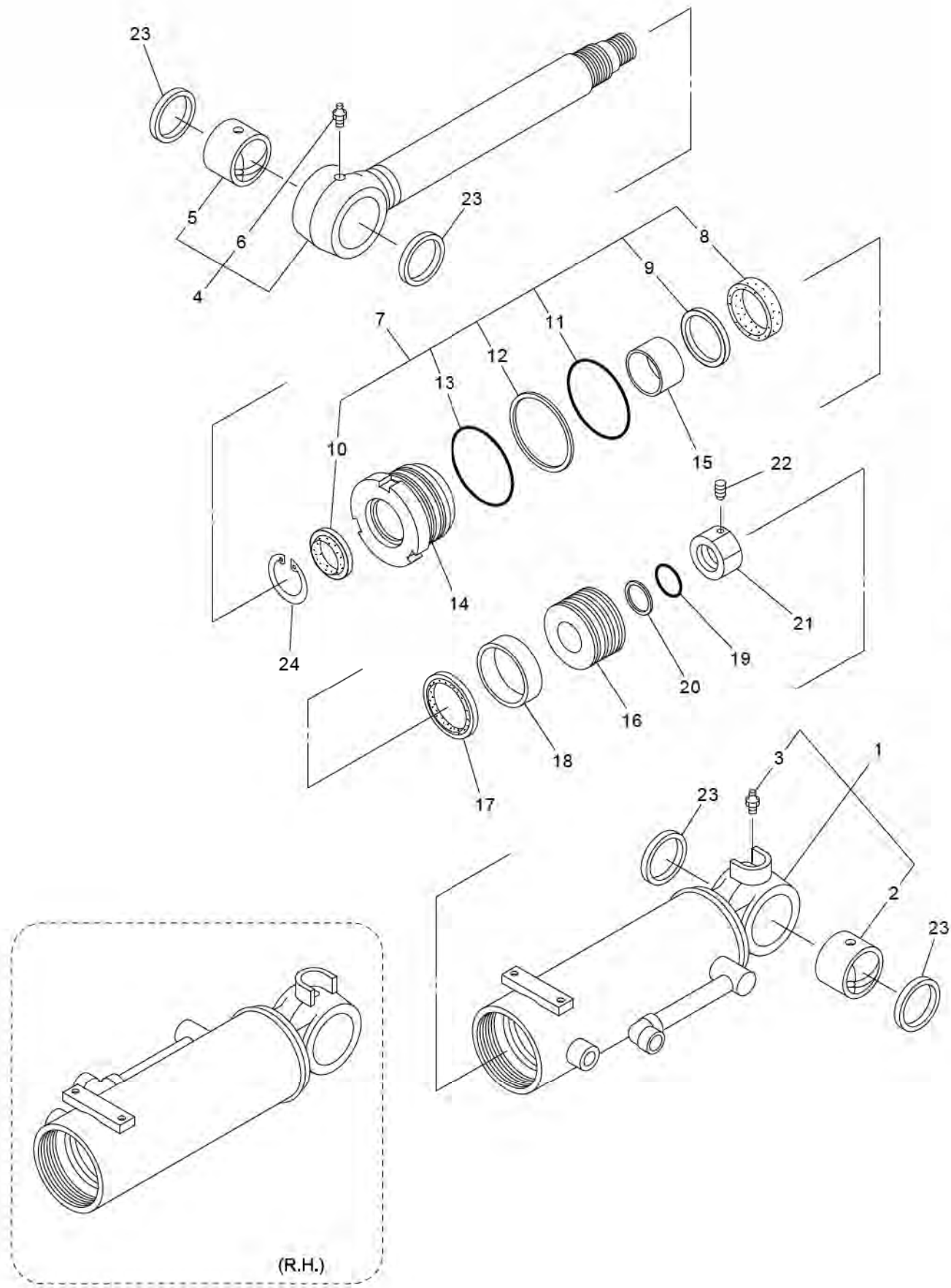
BOOM SWING CYLINDER ASS'Y

MODEL HD85V4

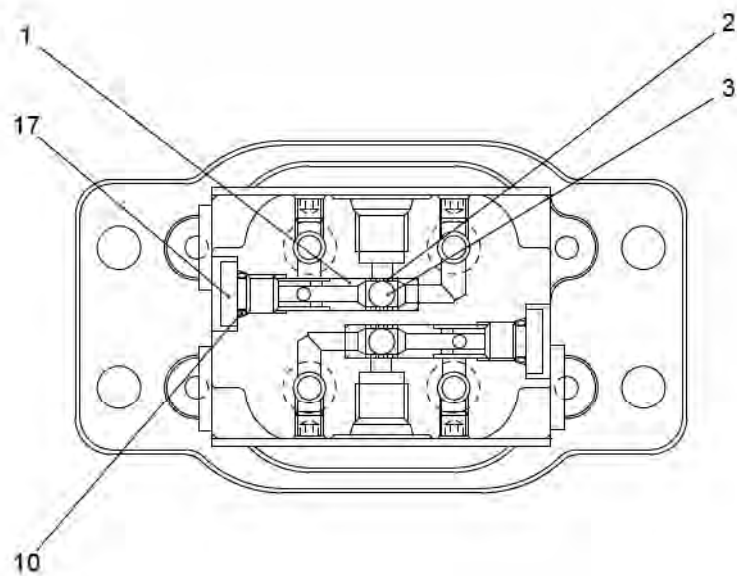
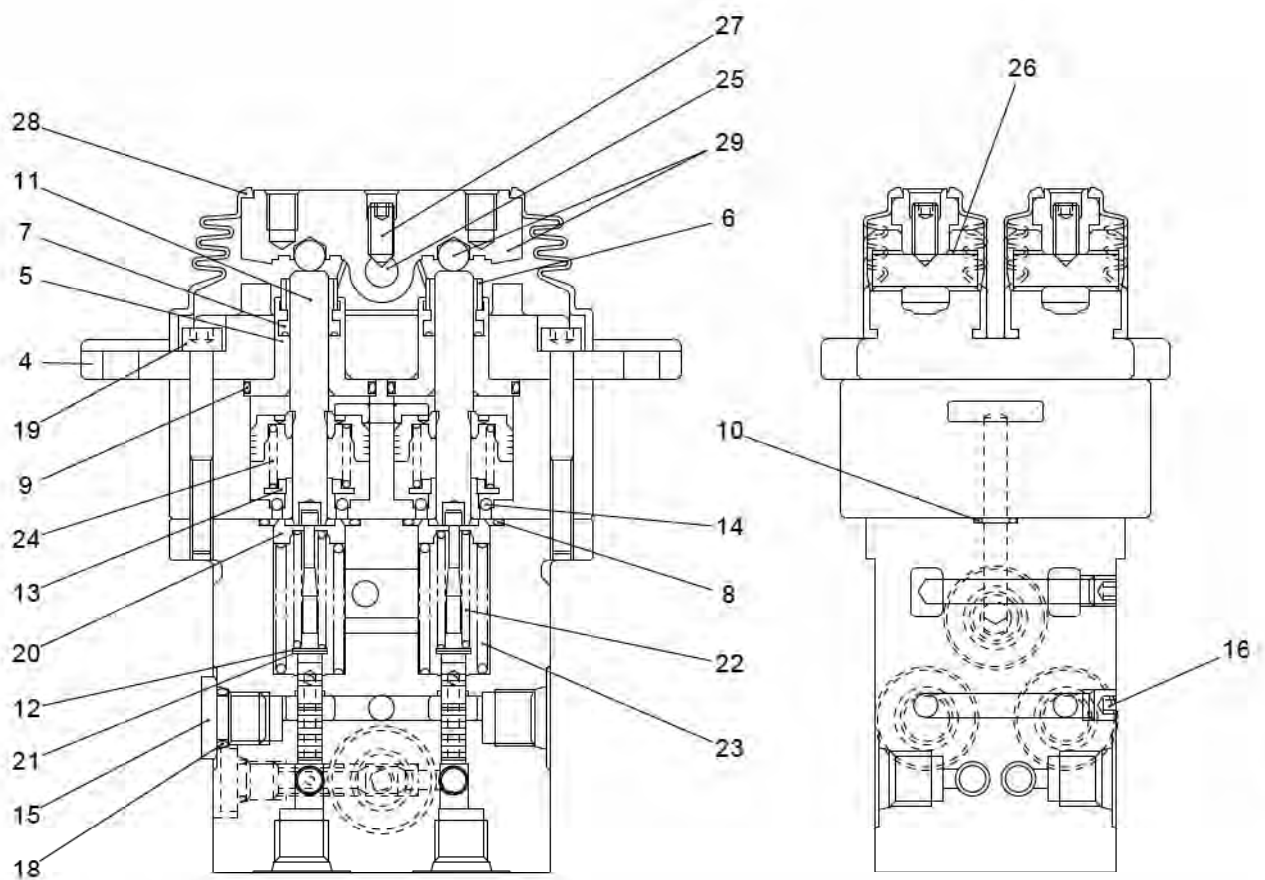
SHEET No 5-11

KEY No.	SUP.	PART No.	DESCRIPTION	Q'TY	CHAN.	SERIAL No.	REMARKS
0		0782 651 UA	Cylinder Ass'y, Boom Swing	1		WK020001-	
1	×	**** ** *	* Tube Ass'y, Cylinder	1		WK020001-	
2		0782 317 02	** Bushing	1		WK020001-	
3		0782 651 92	* Rod Ass'y, Piston	1		WK020001-	
4		0782 317 02	** Bushing	1		WK020001-	
5		0728 111 65	** Nipple, Grease	1		WK020001-	PT1/8X90
6		0782 651 93	* Kit, Seal	1		WK020001-	
7	×	0782 312 07	** Ring, U	1		WK020001-	
8	×	0782 312 08	** Ring, Back-up	1		WK020001-	
9	×	0782 312 09	** Ring, Wiper	1		WK020001-	
10	×	0782 651 13	** Ring, Back-up	1		WK020001-	
11	×	0760 716 05	** Ring, O	1		WK020001-	G105-90B
12	×	0760 716 10	** Ring, O	1		WK020001-	G110-90B
13		0782 651 05	* Head, Cylinder	1		WK020001-	
14		0782 312 06	* Bushing	1		WK020001-	
15		0782 651 07	* Ring, Snap	1		WK020001-	
16		0493 710 76	* Ring, Snap	1		WK020001-	d=76
17		0782 312 14	* Washer	1		WK020001-	
18		0782 651 16	* Piston	1		WK020001-	
19		0782 651 17	* Ring Ass'y, Seal	1		WK020001-	
20		0782 312 18	* Ring, Slide	1		WK020001-	
21		0782 312 19	* Ring, Wiper	2		WK020001-	
22		0782 651 21	* Ring, Back-up	1		WK020001-	
23		0760 715 45	* Ring, O	1		WK020001-	G45-90B
24		0782 651 22	* Nut	1		WK020001-	
25		0561 080 18	* Screw, Set	1		WK020001-	M8X18
26		0782 317 35	* Seal, Dust	4		WK020001-	

5



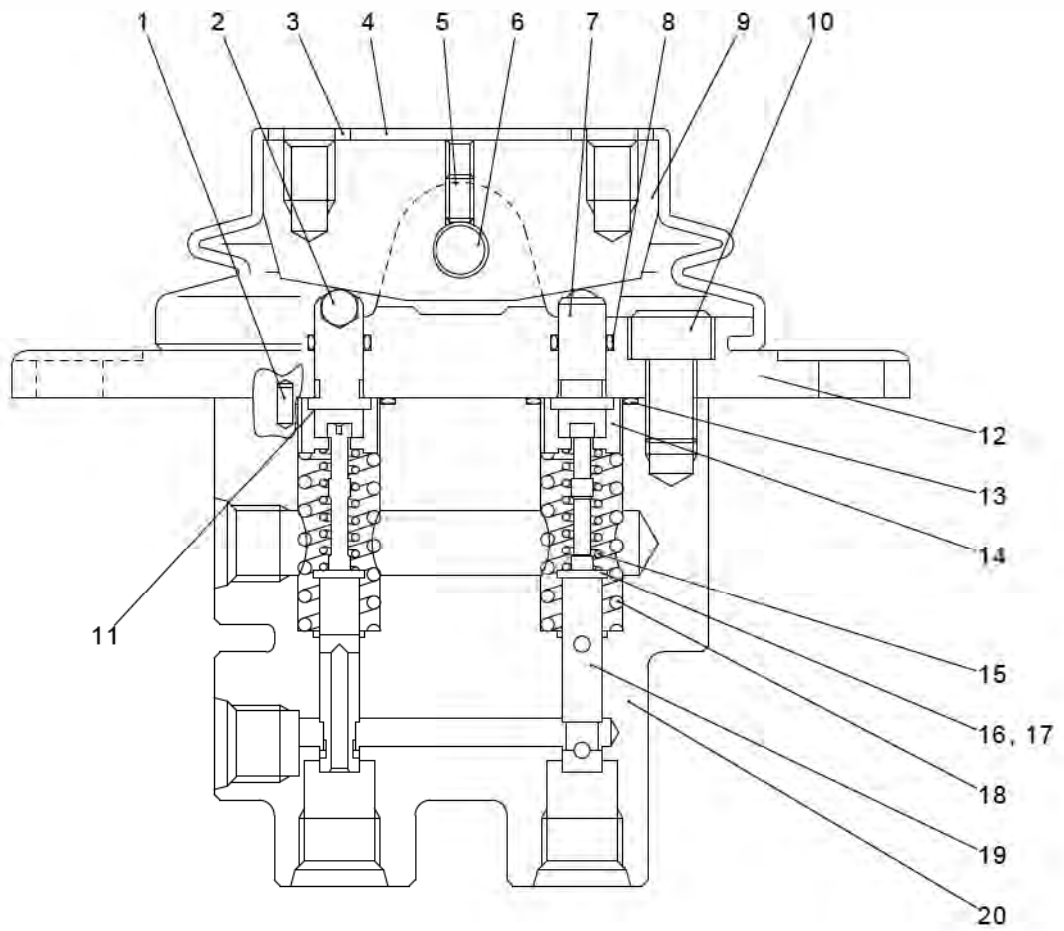
0782646UA-1
0782647UA-1



0784137UA-1
 0783995UA-1
 0783936UA-1

5

KEY No.	SUP.	PART No.	DESCRIPTION	Q'TY	CHAN.	SERIAL No.	REMARKS
0		0784 137 UA	Valve Ass'y, Pilot	1		WK020001-	
1		0783 951 01	* Seat	2		WK020001-	
2		0783 951 02	* Bushing	2		WK020001-	
3		0609 016 10	* Ball, Steel	2		WK020001-	d=1/4
4		0783 951 03	* Cover	2		WK020001-	
5		0783 951 04	* Plug	4		WK020001-	
6		0783 951 05	* Cap, Grease	4		WK020001-	
7		0783 951 06	* Packing	4		WK020001-	
8		0760 310 20	* Ring, O	4		WK020001-	020-90B
9		0760 310 25	* Ring, O	4		WK020001-	025-90B
10		0760 710 08	* Ring, O	4		WK020001-	P8-90B
11		0783 936 01	* Rod, Push	4		WK020001-	
12		0783 951 08	* Shim	4		WK020001-	
13		0783 951 09	* Seat, Spring	4		WK020001-	
14		0751 948 06	* Ball, Steel	12		WK020001-	
15		0756 357 03	* Plug	3		WK020001-	
16		0750 198 15	* Plug	6		WK020001-	
17		0783 920 06	* Plug	2		WK020001-	
18		0760 710 12	* Ring, O	3		WK020001-	P11-90B
19		0562 060 50	* Bolt, Socket Head	4		WK020001-	M6X50
20		0783 951 10	* Seat, Spring	4		WK020001-	
21		0783 951 11	* Washer	4		WK020001-	
22		0783 995 01	* Spring	4		WK020001-	
23		0784 128 01	* Spring	4		WK020001-	
24		0783 951 14	* Spring	4		WK020001-	
25		0783 951 15	* Shaft Cam	2		WK020001-	
26		0783 951 16	* Bushing	4		WK020001-	
27		0783 951 17	* Screw, Set	2		WK020001-	
28		0783 951 18	* Boot	2		WK020001-	
29		0783 951 91	* Cam Ass'y	2		WK020001-	



0783965UA-1
 0783724UA-1
 0784023UA-1

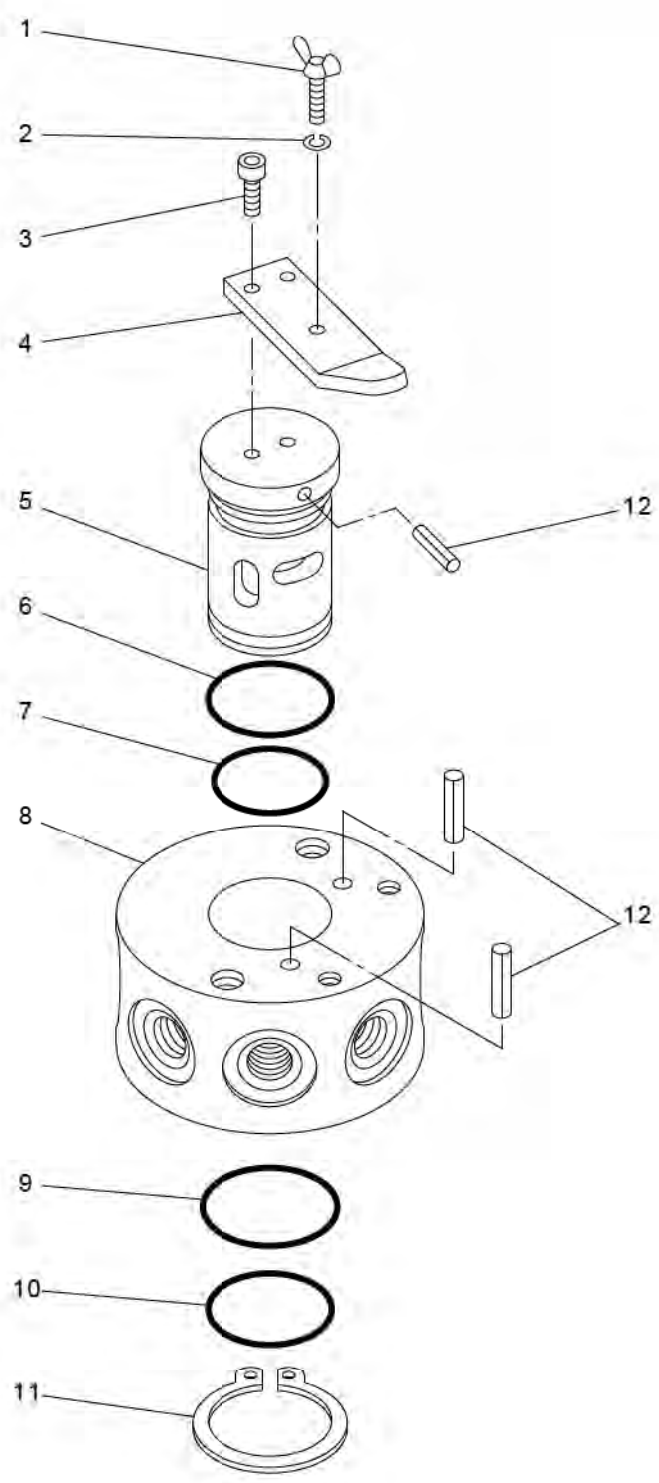
KATO HICOM

PILOT VALVE ASS'Y

MODEL HD85V4

SHEET No 5-14

KEY No.	SUP.	PART No.	DESCRIPTION	Q'TY	CHAN.	SERIAL No.	REMARKS
0		0784 023 UA	Valve Ass'y, Pilot	1		WK020001-	
1		0756 326 22	* Pin, Spring	2		WK020001-	d=3X6
2		0756 326 23	* Ball, Steel	2		WK020001-	d=6
3		0756 326 20	* Washer, Flat	2		WK020001-	M8
4		0756 326 10	* Boot	1		WK020001-	
5		0567 040 08	* Screw, Set	1		WK020001-	M4X8
6		0756 326 08	* Pin	1		WK020001-	
7		0756 326 04	* Pusher	2		WK020001-	
8		0760 610 08	* Ring, O	2		WK020001-	P8-70B
9		0756 326 07	* Cam	1		WK020001-	
10		0562 080 16	* Bolt, Socket Head	2		WK020001-	M8X16
11		0783 965 02	* Shim	AR		WK020001-	t=0.1
11-1		0783 965 03	* Shim	AR		WK020001-	t=0.2
12		**** ** *	* Cover	1		WK020001-	
13		0756 326 25	* Ring, O	2		WK020001-	S16-90B
14		0756 065 13	* Holder, Spring	2		WK020001-	
15		0783 965 11	* Spring	2		WK020001-	
16		0756 326 19	* Washer, Flat	2		WK020001-	M4
17		0756 326 06	* Shim	AR		WK020001-	t=0.1
17-1		0756 065 11	* Shim	AR		WK020001-	
18		0784 023 02	* Spring	2		WK020001-	
19		0783 965 04	* Spool	2		WK020001-	
20		**** ** *	* Body	1		WK020001-	

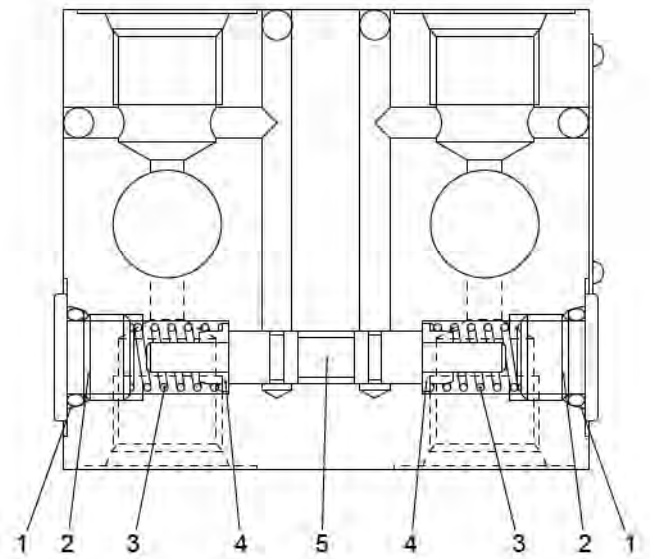


0756094UA- 1

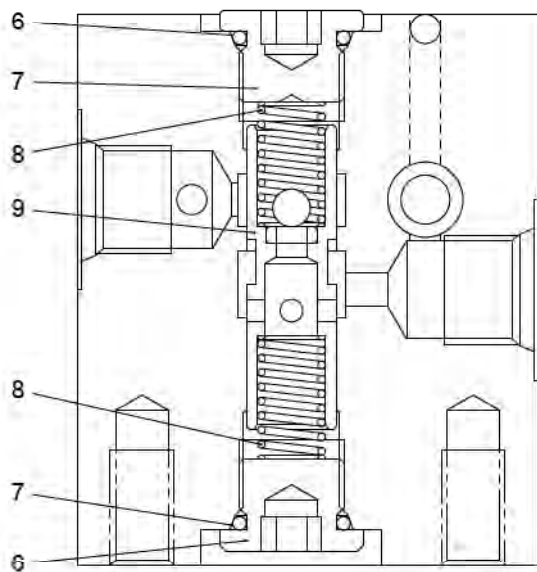
KATO HICOM

MODEL HD85V4

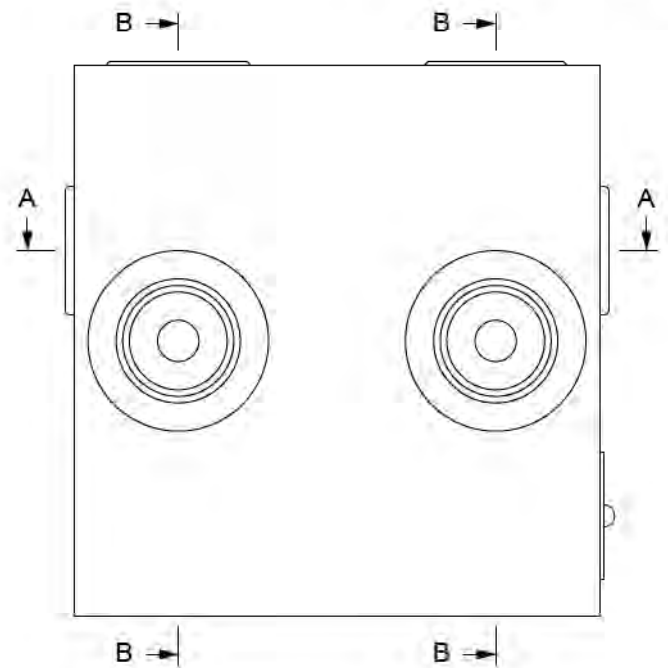
MULTIPLE VALVE ASS'Y (FOR A, F CHANGE)



"A-A" SECTION



"B-B" SECTION



5

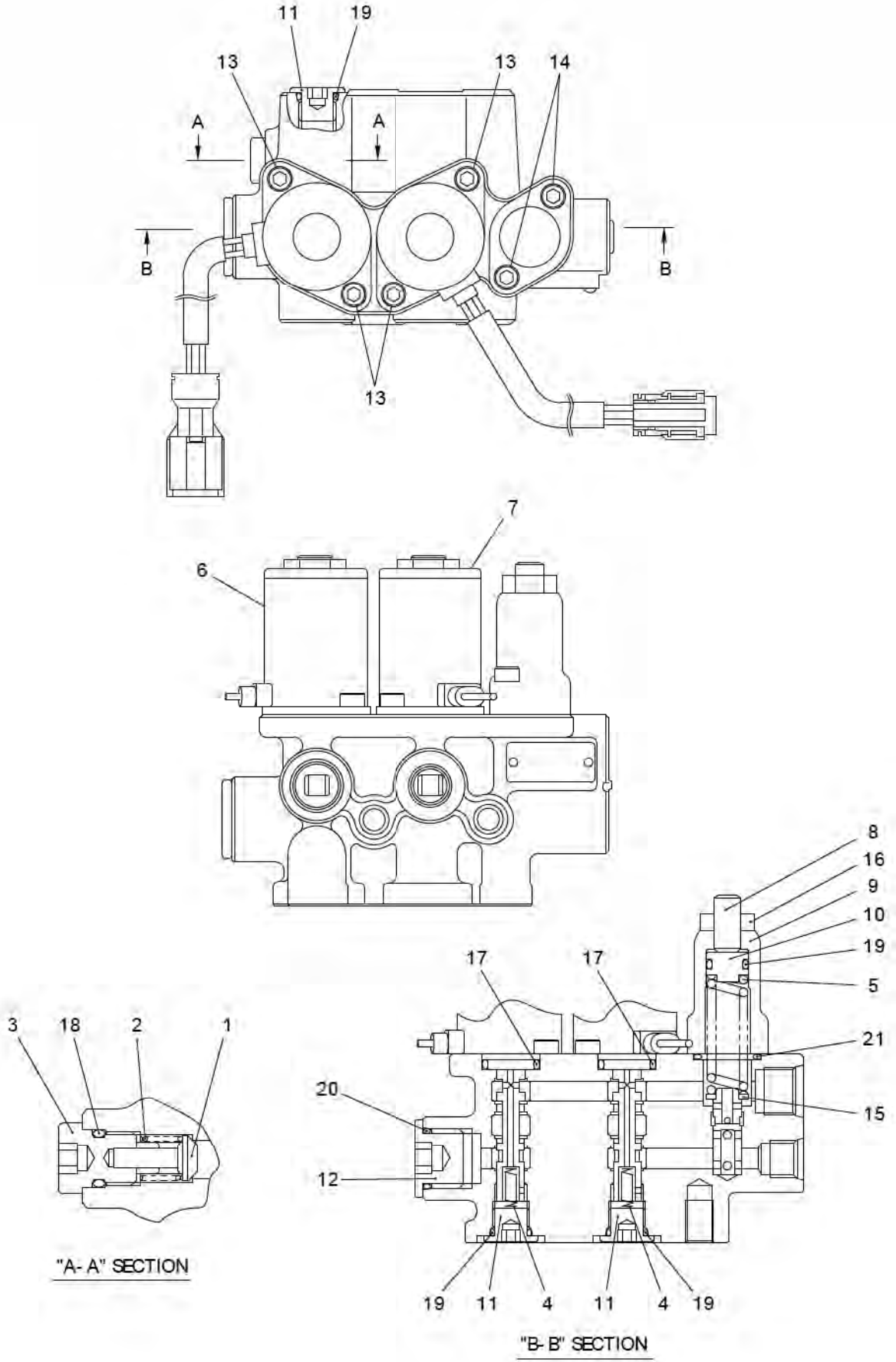
0784028UA-1
0783664UA-1

KATO HICOM

SHOCKLESS VALVE ASS'Y

MODEL HD85V4

SHEET No 5-16



0785175UA-1

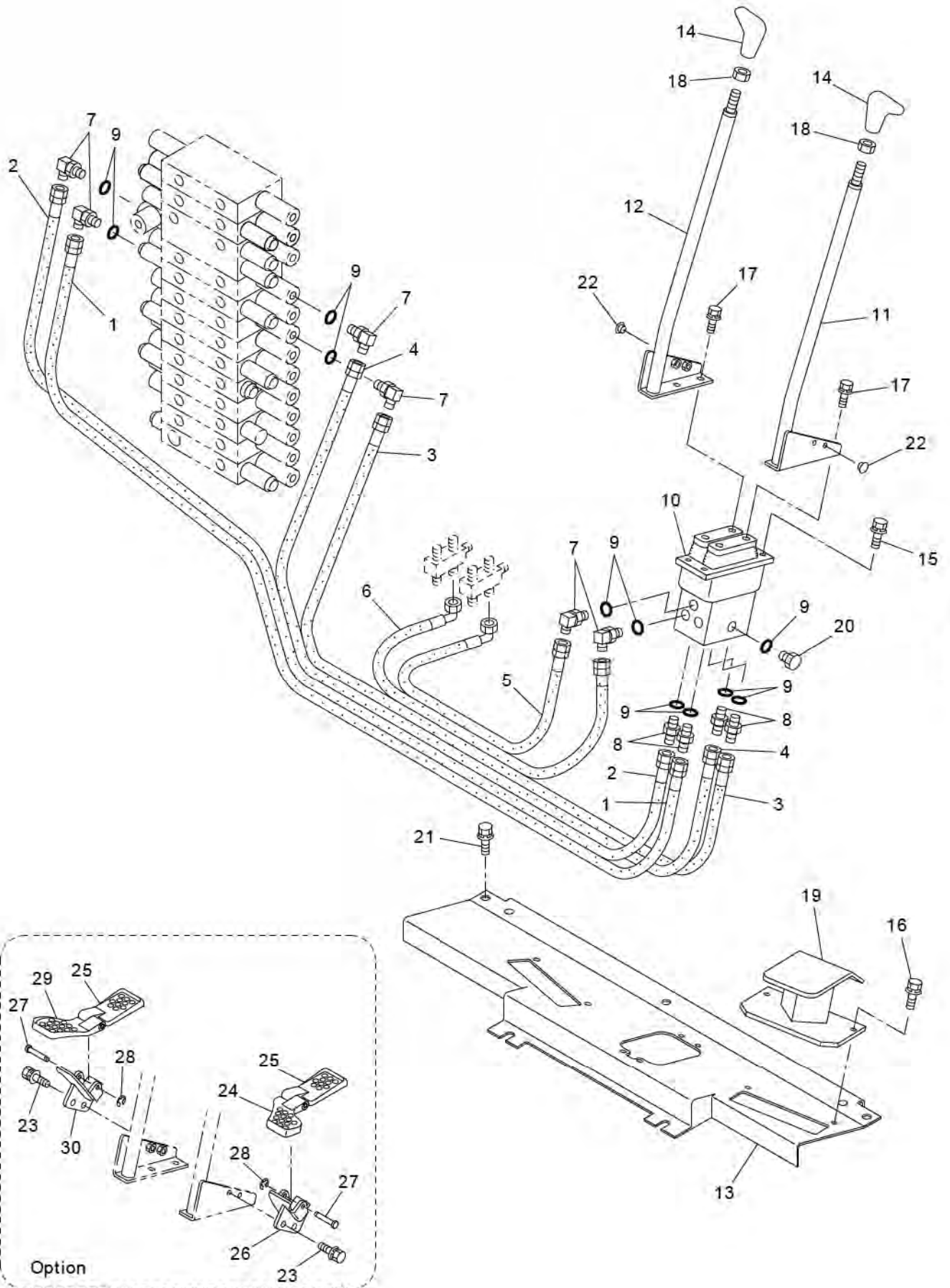
KATO HICOM

SOLENOID VALVE ASS'Y

MODEL HD85V4

SHEET No 5-17

KEY No.	SUP.	PART No.	DESCRIPTION	Q'TY	CHAN.	SERIAL No.	REMARKS
0		0785 175 UA	Valve Ass'y, Solenoid	1		WK020001-	
1		0756 641 26	* Plunger	1		WK020001-	
2		0756 641 27	* Spring	1		WK020001-	
3		0756 925 39	* Plug	1		WK020001-	
4		0785 101 01	* Spring	2		WK020001-	
5		0758 175 08	* Spring	1		WK020001-	
6		0783 718 91	* Solenoid	1		WK020001-	
7		0783 718 92	* Solenoid	1		WK020001-	
8		0785 175 10	* Screw, Adjusting	1		WK020001-	
9		0785 175 13	* Cover	1		WK020001-	
10		0785 175 14	* Plug	1		WK020001-	
11		0785 101 02	* Plug	3		WK020001-	
12		0785 175 17	* Plug	1		WK020001-	
13		0562 050 12	* Bolt, Socket Head	4		WK020001-	M5X12
14		0562 050 20	* Bolt, Socket Head	2		WK020001-	M5X20
15		0783 718 15	* Washer, Flat	1		WK020001-	
16		0785 175 21	* Nut, Hex.	1		WK020001-	M10 P=1.25
17		0760 610 18	* Ring, O	2		WK020001-	P16-90B
18		0760 710 10	* Ring, O	1		WK020001-	P10-90B
19		0760 710 12	* Ring, O	4		WK020001-	P11-90B
20		0760 710 19	* Ring, O	1		WK020001-	P18-90B
21		0760 710 20	* Ring, O	1		WK020001-	P20-90B



80V4-060100-1

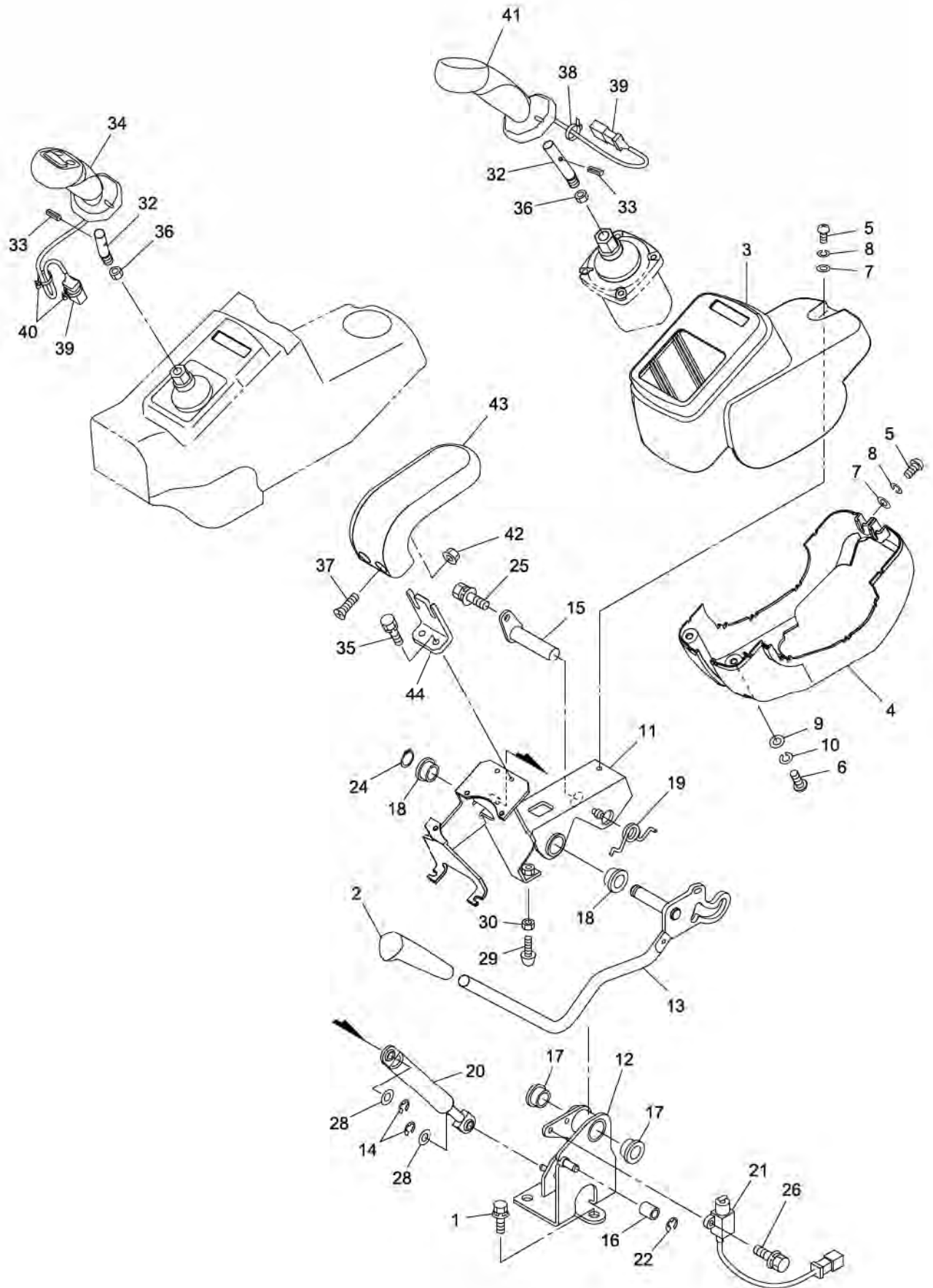
KATO HICOM

TRAVEL LEVER ASS'Y

MODEL HD85V4

SHEET No 6-1

KEY No.	SUP.	PART No.	DESCRIPTION	Q'TY	CHAN.	SERIAL No.	REMARKS
0	×	F342 902 00	Lever Ass'y, Travel	1		WK020001-	
0-1	×	F361 813 00	Lever Ass'y, Travel	1		WK020001-	
1		4070 548 85	* Hose Ass'y	1		WK020001-	L=2550
1-1	☆	D406 499 04	* Decal (T4)	2		WK020001-	D406 499 00
2		4070 548 85	* Hose Ass'y	1		WK020001-	L=2550
2-1	☆	D406 499 02	* Decal (T2)	2		WK020001-	D406 499 00
3		4070 548 65	* Hose Ass'y	1		WK020001-	L=1950
3-1	☆	D406 499 03	* Decal (T3)	2		WK020001-	D406 499 00
4		4070 548 65	* Hose Ass'y	1		WK020001-	L=1950
4-1	☆	D406 499 01	* Decal (T1)	2		WK020001-	D406 499 00
5		4070 551 06	* Hose Ass'y	1		WK020001-	L=1200
6		4070 551 30	* Hose Ass'y	1		WK020001-	L=1250
7		0710 122 09	* Elbow	6		WK020001-	
8		0713 700 02	* Adapter	4		WK020001-	
9		0760 710 12	* Ring, O	12		WK020001-	P11-90B
10	#	0784 137 UA	* Valve Ass'y, Pilot	1		WK020001-	Sh. No. 5-13
11		D495 880 00	* Lever (L.H.)	1		WK020001-	
12		D495 881 00	* Lever (R.H.)	1		WK020001-	
13		D419 676 00	* Bracket	1		WK020001-	
14		0690 283 72	* Grip	2		WK020001-	
15		0517 080 25	* Bolt, Treatment (W/L.W, F.W)	4		WK020001-	M8X25
16		0518 100 20	* Bolt, Treatment (W/L.W, F.W)	2		WK020001-	M10X20 P=1.25
17		0517 080 16	* Bolt, Treatment (W/L.W, F.W)	4		WK020001-	M8X16
18		0549 140 00	* Nut, Half	2		WK020001-	M14 P=1.5
19		D420 110 00	* Bracket	1		WK020109-	
20		0710 212 04	* Plug	2		WK020001-	
21		0518 100 25	* Bolt, Treatment (W/L.W, F.W)	5		WK020001-	M10X25 P=1.25
22		0690 201 05	* Plug, Hole	4		WK020001-	
23		0517 080 25	* Bolt, Treatment (W/L.W, F.W)	4		WK020001-	M8X25
24		D501 057 00	* Pedal	1		WK020001-	Option
25		D501 076 00	* Pedal	2		WK020001-	Option
26		D419 342 00	* Bracket	1		WK020001-	Option
27		D013 384 00	* Pin,Head	2		WK020001-	Option
28		0493 510 08	* Ring, Snap	2		WK020001-	Option
29		D501 058 00	* Pedal	1		WK020001-	Option
30		D419 343 00	* Bracket	1		WK020001-	Option



HD80V4-060200-1

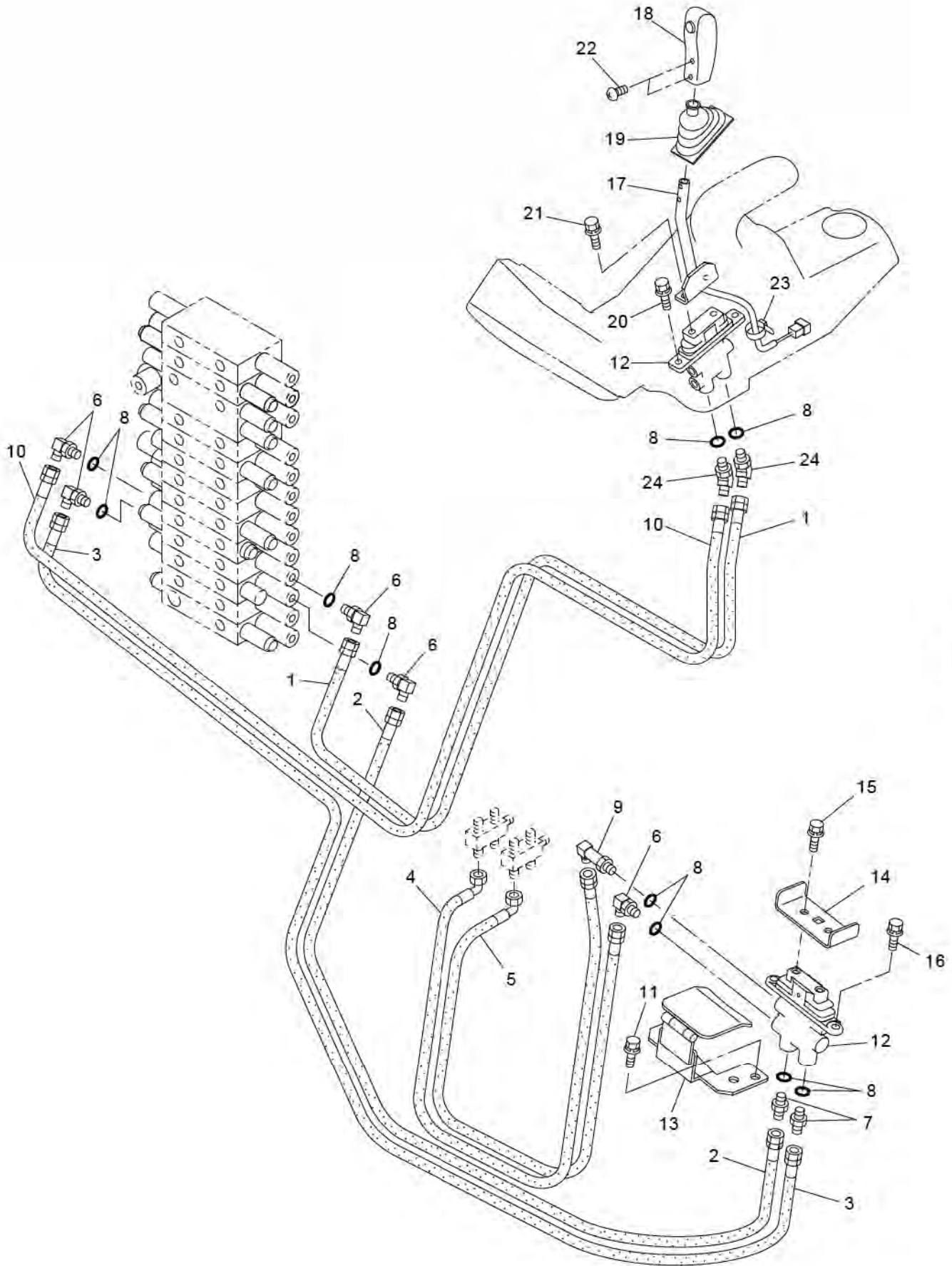
KATO HICOM

CONTROL LEVER ASS'Y

MODEL HD85V4

SHEET No 6-2

KEY No.	SUP.	PART No.	DESCRIPTION	Q'TY	CHAN.	SERIAL No.	REMARKS
0	×	F361 782 00	Lever Ass'y, Control	1		WK020001-	
1		0518 100 25	* Bolt, Treatment (W/L.W, F.W)	3		WK020001-	M10X25 P=1.25
2		0690 283 86	* Grip	1		WK020001-	
3		D465 318 00	* Panel	1		WK020001-	
4		D465 319 00	* Panel	1		WK020001-	
5		4004 364 01	* Bolt, Button Head	3		WK020001-	M6X18
6		0565 060 25	* Screw, Pan Head	2		WK020001-	M6X25
7		0594 060 00	* Washer, Flat	3		WK020001-	M6
8		0596 060 00	* Washer, Lock	3		WK020001-	M6
9		0593 060 00	* Washer, Flat	2		WK020001-	M6
10		0590 060 00	* Washer, Lock	2		WK020001-	M6
11		D420 219 00	* Bracket	1		WK020085-	
12		D420 218 00	* Bracket	1		WK020085-	
13		D495 903 00	* Lever	1		WK020085-	
14		0493 560 07	* Ring "E"	2		WK020085-	
15		D017 281 00	* Pin	1		WK020085-	
16		4040 867 00	* Spacer	1		WK020085-	
17		D047 083 00	* Bushing	2		WK020085-	
18		D047 083 00	* Bushing	2		WK020085-	
19		D170 067 00	* Spring	1		WK020085-	
20		0652 253 UA	* Stay, Dumper	1		WK020001-	
21		0858 314 15	* Switch, Limit	1		WK020001-	
22		0493 560 09	* Ring "E"	1		WK020085-	
24		0493 510 20	* Ring, Snap	1		WK020085-	d=20
25		0517 080 20	* Bolt, Treatment (W/L.W, F.W)	1		WK020001-	M8X20
26		0517 060 16	* Bolt, Treatment (W/L.W, F.W)	2		WK020001-	M6X16
28		0593 080 00	* Washer, Flat	2		WK020001-	M8
29		0690 202 50	* Pad, Rubber	1		WK020001-	
30		0548 120 00	* Nut, Half	1		WK020001-	M12
32		D495 843 00	* Lever	2		WK020001-	
33		0494 608 40	* Pin, Spring	2		WK020001-	d=5X40
34		0690 283 82	* Grip (W/Switch)	1		WK020001-	
35		0519 080 20	* Bolt, Treatment (W/L.W)	4		WK020001-	M8X20
36		0548 140 00	* Nut, Half	2		WK020001-	M14
37		D004 049 02	* Bolt, Button Head	4		WK020001-	M8X30
38		0820 067 03	* Band, Cable	1		WK020001-	
39		0820 513 UA	* Connector	2		WK020001-	
40		0690 082 08	* Clamp, Hose	1		WK020001-	
41		0690 283 85	* Grip	1		WK020001-	
41-1		0690 283 82	* Grip	1		WK020001-	Propo
42		0521 080 00	* Nut, Hex..(W/F.W)	4		WK020001-	M8
43		D480 009 00	* Rest, Arm	2		WK020001-	
44		D418 139 00	* Bracket	2		WK020001-	



80V4-060300-1

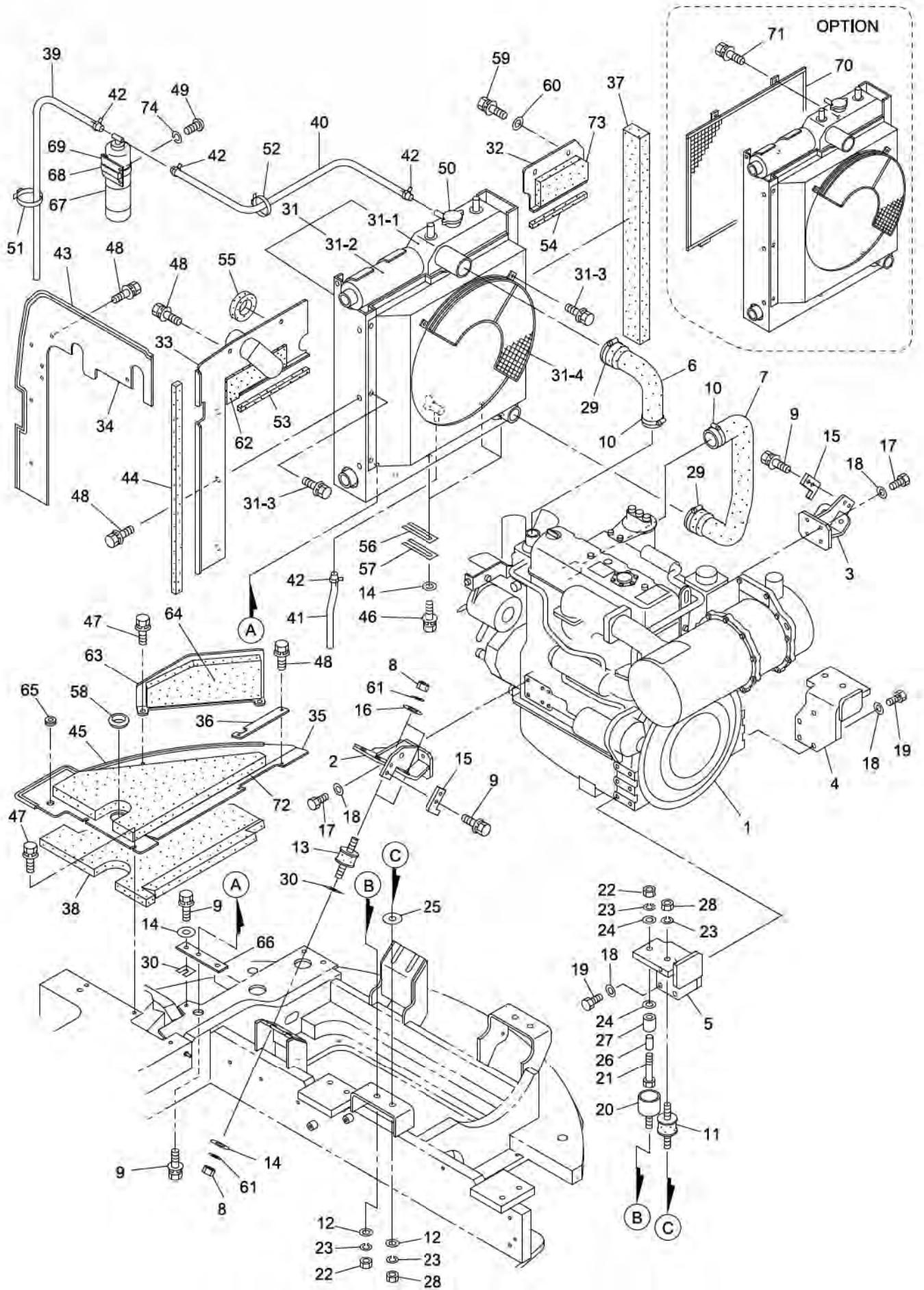
KATO HICOM

BLADE & BOOM SWINGCONTROL ASS'Y

MODEL HD85V4

SHEET No 6-3

KEY No.	SUP.	PART No.	DESCRIPTION	Q'TY	CHAN.	SERIAL No.	REMARKS
0	×	F342 902 00	Control Ass'y, Blade & Boom Swing	1		WK020001-	
1		4070 548 32	* Hose Ass'y	1		WK020001-	L=1750
1-1	☆	D407 818 02	* Decal (BB)	2		WK020001-	D407 818 00
2		4070 548 03	* Hose Ass'y	1		WK020001-	L=1600
3		4070 548 61	* Hose Ass'y	1		WK020001-	L=1700
4		4070 551 16	* Hose Ass'y	1		WK020001-	L=800
5		4070 551 46	* Hose Ass'y	1		WK020001-	L=880
6		0710 122 09	* Elbow	5		WK020001-	
7		0713 700 02	* Adapter	2		WK020001-	
8		0760 710 12	* Ring, O	10		WK020001-	P11-90B
9		D060 028 00	* Elbow	1		WK020001-	
10		4070 548 39	* Hose Ass'y	1		WK020001-	L=2000
10-1	☆	D407 818 01	* Decal (BA)	2		WK020001-	D407 818 00
11		0518 100 20	* Bolt, Treatment (W/L.W, F.W)	2		WK020001-	M10X20 P=1.25
12	#	0784 023 UA	* Valve Ass'y, Pilot	2		WK020001-	Sh. No. 5-14
13		D419 286 00	* Bracket	1		WK020001-	
14		D501 075 00	* Pedal	1		WK020001-	
15		0517 080 16	* Bolt, Treatment (W/L.W, F.W)	2		WK020001-	M8X16
16		0518 100 25	* Bolt, Treatment (W/L.W, F.W)	2		WK020001-	M10X25 P=1.25
17		D495 808 00	* Lever	1		WK020001-	
18		0690 283 81	* Grip	1		WK020001-	
19		D181 002 00	* Boots	1		WK020001-	
20		0517 080 20	* Bolt, Treatment (W/L.W, F.W)	2		WK020001-	M8X20
21		0517 080 16	* Bolt, Treatment (W/L.W, F.W)	2		WK020001-	M8X16
22		0565 040 08	* Screw, Pan Head	2		WK020001-	M4X8
23		0820 067 03	* Band, Cable	1		WK020001-	
24		0710 121 00	* Elbow, 45	2		WK020001-	



80V4-070100-1

KATO HICOM

ENGINE & ACCESSORIES

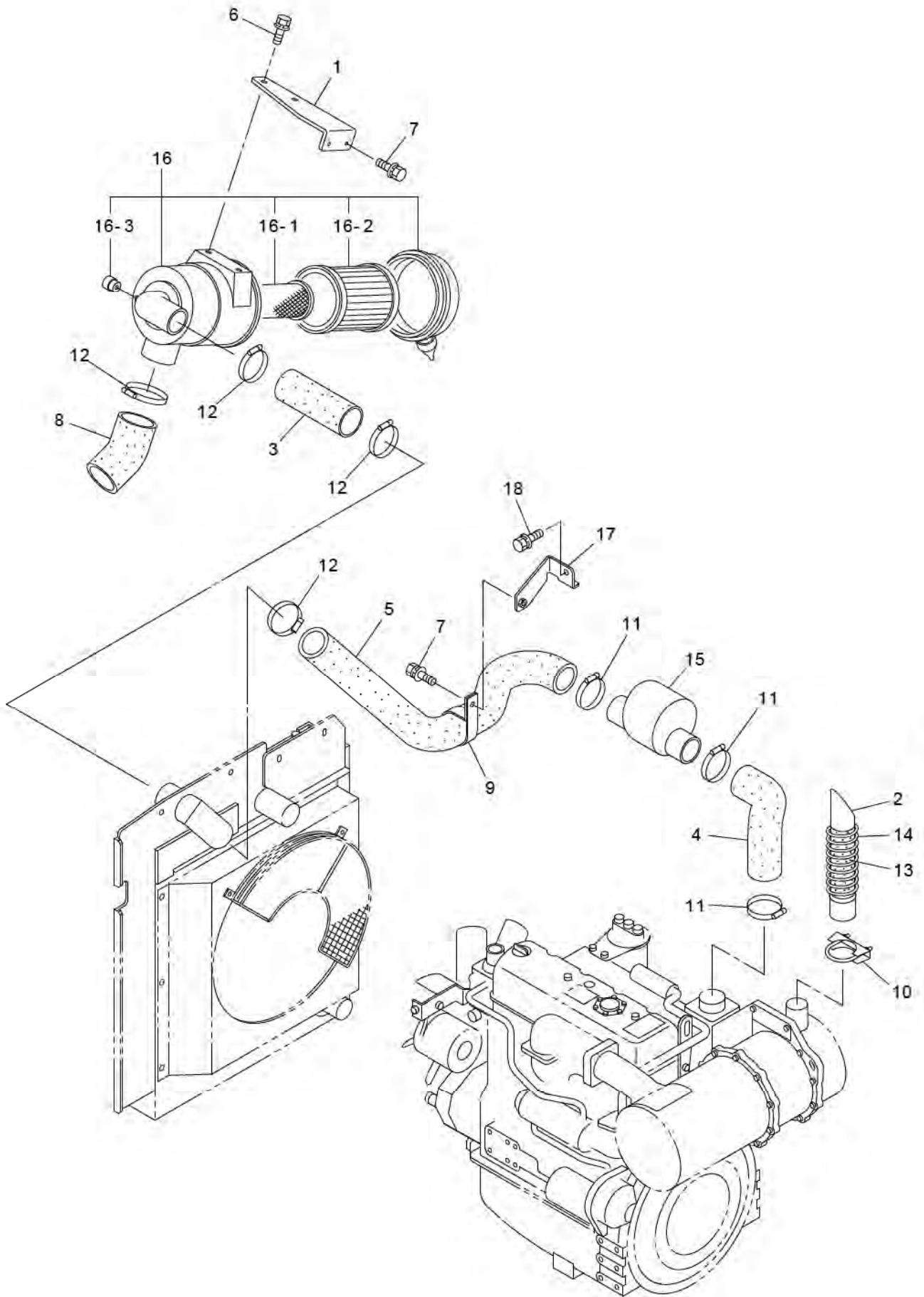
MODEL HD85V4

SHEET No 7-1

KEY No.	SUP.	PART No.	DESCRIPTION	Q'TY	CHAN.	SERIAL No.	REMARKS
0	×	F330 767 00	Engine & Accessories	1		WK020001-	
0-1	×	F330 765 00	Net Ass'y	1		WK020001-	
1		0676 274 UA	* Engine Ass'y	1		WK020001-	
2		D419 563 00	* Bracket	1		WK020001-	
3		D419 564 00	* Bracket	1		WK020001-	
4		D419 719 00	* Bracket	1		WK020001-	
5		D419 722 00	* Bracket	1		WK020001-	
6		0775 552 05	* Hose, Radiator	1		WK020001-	
7		0775 552 02	* Hose, Radiator	1		WK020001-	
8		0580 100 00	* Nut, Hex.	8		WK020001-	M10
9		0518 100 25	* Bolt, Treatment (W/L.W, F.W)	7		WK020001-	M10X25 P=1.25
10		0690 083 10	* Clamp, Hose	2		WK020001-	
11		0910 930 19	* Rubber, Cushion	2		WK020001-	
12		4006 119 03	* Washer, Flat	4		WK020001-	M12
13		0910 930 30	* Rubber, Cushion	4		WK020001-	
14		4006 119 02	* Washer, Flat	8		WK020001-	M10
15		D419 566 00	* Bracket	2		WK020001-	
16		0593 100 00	* Washer, Flat	4		WK020001-	M10
17		0513 100 25	* Bolt, Treatment	8		WK020001-	M10X25
18		0595 100 00	* Washer, Treatment	16		WK020001-	M10
19		0513 100 35	* Bolt, Treatment	8		WK020001-	M10X35
20		4416 108 00	* Bracket	2		WK020001-	
21		0514 120 70	* Bolt, Treatment	2		WK020001-	M12X70 P=1.25
22		0535 120 00	* Nut, Treatment	4		WK020001-	M12 P=1.25
23		0590 120 00	* Washer, Lock	8		WK020001-	M12
24		0593 120 00	* Washer, Flat	4		WK020001-	M12
25		4006 080 05	* Washer	2		WK020001-	
26		4040 000 52	* Spacer	2		WK020001-	
27		4580 562 00	* Pad	2		WK020001-	
28		0580 120 00	* Nut, Hex.	4		WK020001-	M12
29		0690 083 12	* Clamp, Hose	2		WK020001-	
30		4007 503 03	* Shim	AR		WK020001-	t=3.2
31		0668 255 UA	* Radiator Ass'y	1		WK020001-	
31-1		0668 255 91	** Radiator	1		WK020001-	
31-2		0668 255 06	** Cooler Ass'y, Oil	1		WK020001-	
31-3		0517 080 16	** Bolt, Treatment (W/L.W, F.W)	10		WK020001-	M8X16
31-4		0668 255 14	** Guard, Fan	1		WK020001-	
32		D460 001 00	* Cover	1		WK020001-	
33		D460 002 00	* Cover	1		WK020001-	
34		D460 003 00	* Cover	1		WK020001-	
35		D460 004 00	* Cover	1		WK020001-	
36		D458 758 00	* Cover	1		WK020001-	
37		D493 830 00	* Panel, Sponge	1		WK020001-	
38		D493 971 00	* Panel, Sponge	1		WK020001-	
39		4070 307 08	* Hose	M		WK020001-	L=800
40		0779 002 97	* Hose	M		WK020001-	L=960
41		0779 002 97	* Hose	M		WK020109-	L=250
42		0690 081 91	* Clamp, Hose	4		WK020001-	
43		4550 718 00	* Seal	M		WK020001-	L=1360
44		D493 973 00	* Panel, Sponge	1		WK020001-	
45		4550 718 00	* Seal	M		WK020001-	L=960
46		0518 100 40	* Bolt, Treatment (W/L.W, F.W)	3		WK020001-	M10X40 P=1.25

7

KEY No.	SUP.	PART No.	DESCRIPTION	Q'TY	CHAN.	SERIAL No.	REMARKS
47		0518 100 20	* Bolt, Treatment (W/L.W, F.W)	4		WK020001-	M10X20 P=1.25
48		0517 080 20	* Bolt, Treatment (W/L.W, F.W)	12		WK020001-	M8X20
49		4004 311 02	* Bolt, Button Head	2		WK020109-	M8X16
50		0661 800 30	* Radiator, Cap	1		WK020001-	
51		0820 067 30	* Band, Cable	1		WK020001-	
52		0820 067 03	* Band, Cable	1		WK020001-	
53		D493 832 04	* Panel, Sponge	1		WK020001-	
54		D493 832 02	* Panel, Sponge	1		WK020001-	
55		D493 832 03	* Panel, Sponge	1		WK020001-	
56		D007 240 01	* Shim	AR		WK020001-	t=6
57		D007 240 02	* Shim	AR		WK020001-	t=3.2
58		0910 950 21	* Grommet	1		WK020001-	
59		0518 100 20	* Bolt, Treatment (W/L.W, F.W)	2		WK020001-	M10X20 P=1.25
60		4006 119 02	* Washer, Flat	2		WK020001-	M10
61		0590 100 00	* Washer, Lock	10		WK020001-	M10
62		D493 974 00	* Panel, Sponge	1		WK020001-	
63		D458 972 00	* Cover	1		WK020001-	
64		D493 972 00	* Panel, Sponge	1		WK020001-	
65		0910 941 42	* Grommet	1		WK020001-	
66		D401 712 00	* Plate	1		WK020001-	
67		Y171064 44510	* Tank, Sub	1		WK020001-	YANMAR
68		Y124450 44550	* Band	1		WK020001-	YANMAR
69		Y121256 44600	* Bracket	1		WK020001-	YANMAR
70		0668 400 40	* Net	1		WK020001-	Option
71		0517 080 20	* Bolt, Treatment (W/L.W, F.W)	2		WK020001-	M8X20
72		D494 098 00	* Panel, Sponge	1		WK020001-	
73		D494 099 00	* Panel, Sponge	1		WK020001-	
74		0590 080 00	* Washer, Lock	2		WK020109-	M8



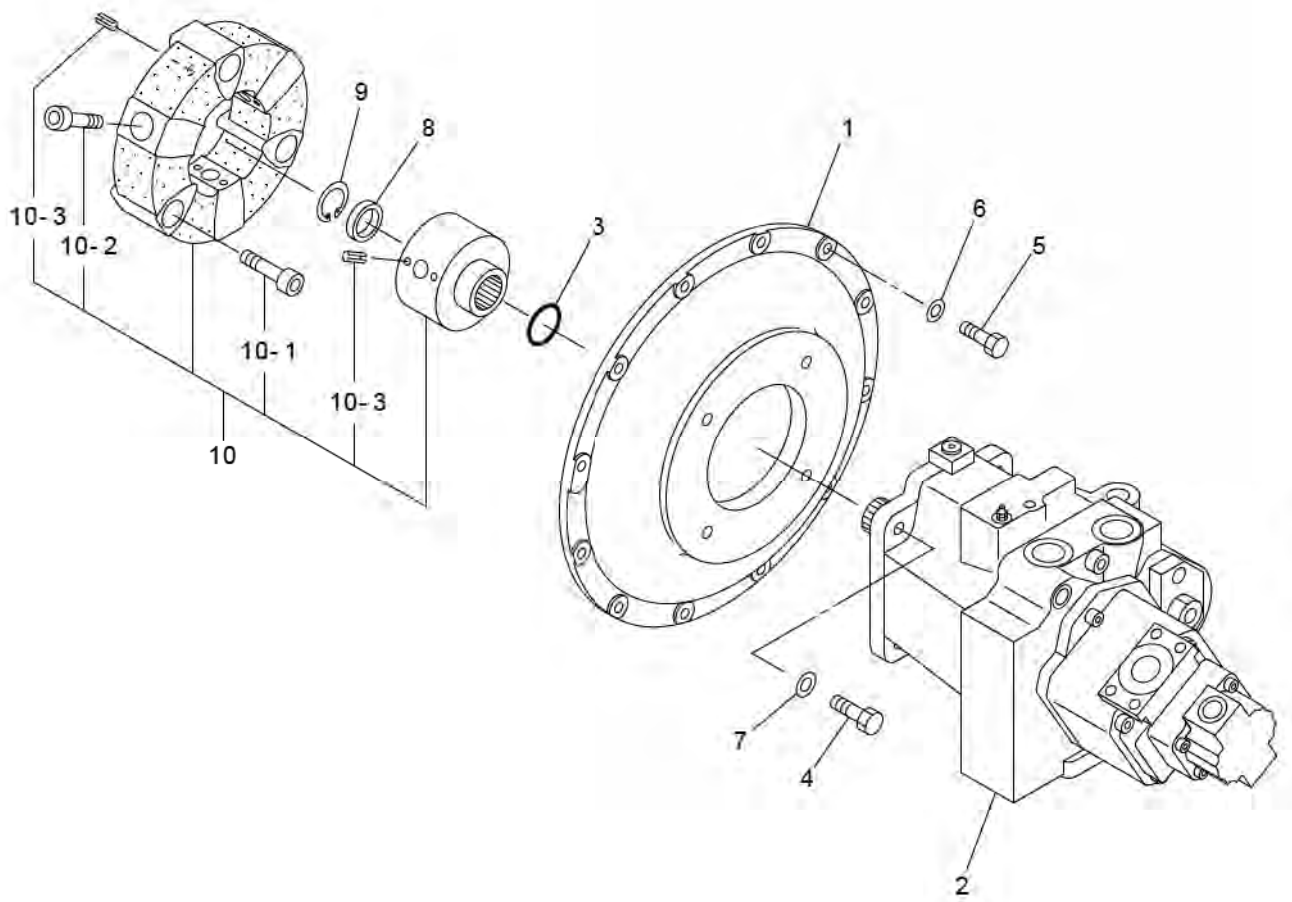
80V4-070200-1

KATO HICOM

AIR CLEANER & MUFFLER ASS'Y

MODEL HD85V4

SHEET No 7-2



7

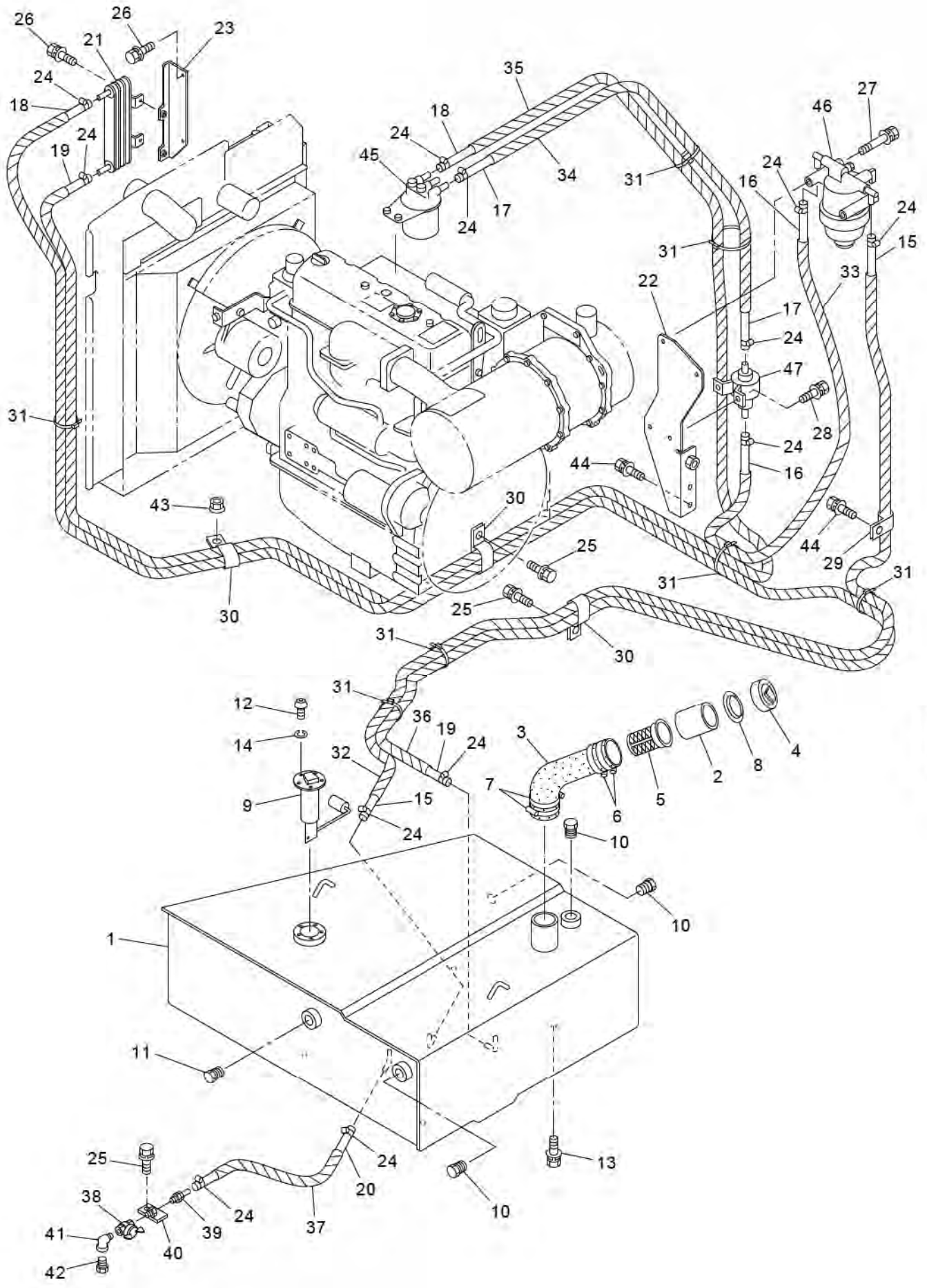
80V4-070300-1

KATO HICOM

OIL PUMP DRIVE DEVICE

MODEL HD85V4

SHEET No 7-3



80V4-070400-1

KATO HICOM

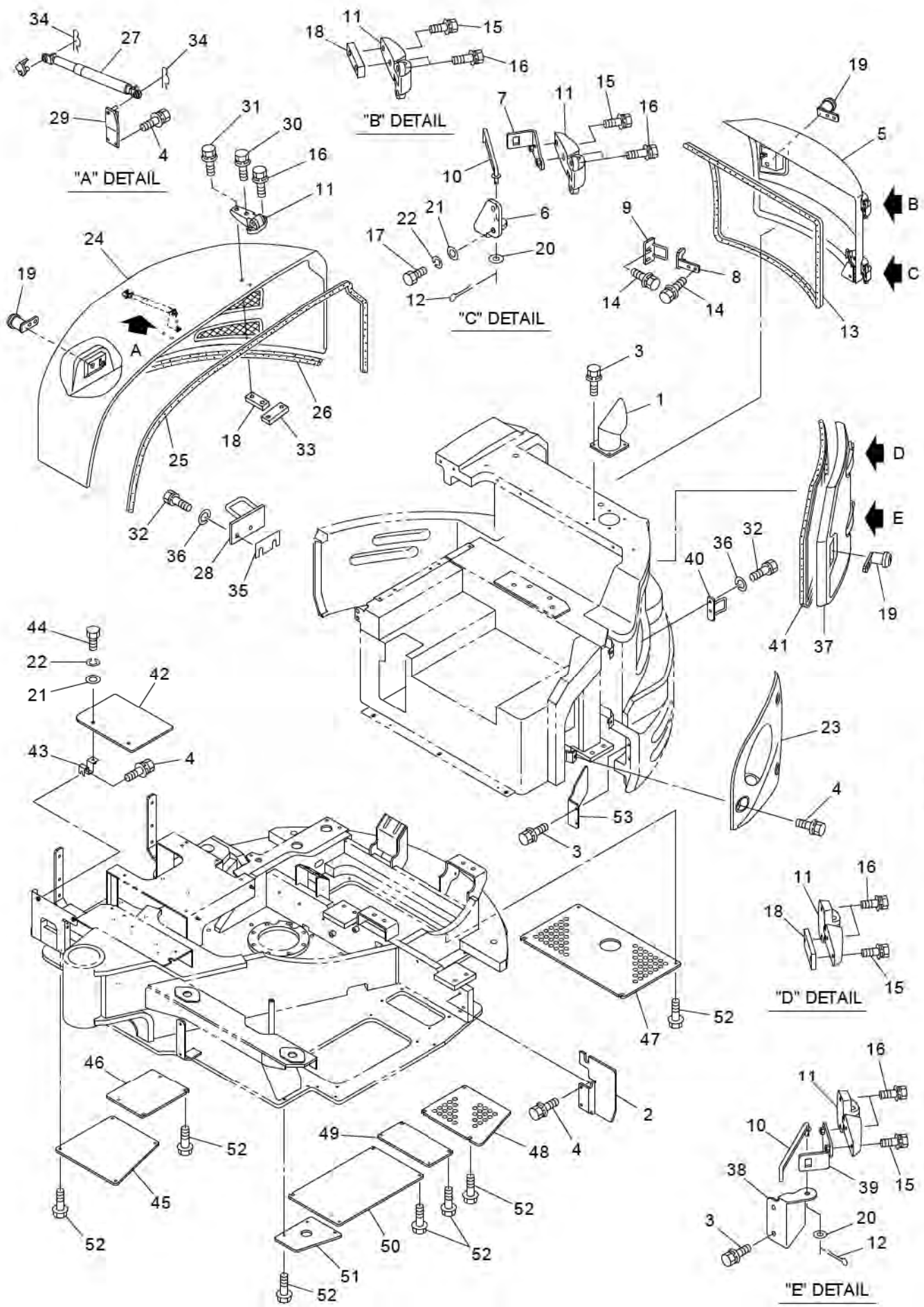
FUEL TANK & PIPING ASS'Y

MODEL HD85V4

SHEET No 7-4

KEY No.	SUP.	PART No.	DESCRIPTION	Q'TY	CHAN.	SERIAL No.	REMARKS
0	×	F337 348 00	Tank Ass'y, Fuel	1		WK020001-	
0-1	×	F337 349 00	Piping Ass'y, Fuel	1		WK020001-	
1		D284 268 00	* Tank, Fuel	1		WK020001-	
2		0729 910 80	* Filler, Fuel	1		WK020001-	
3		D070 574 00	* Hose	1		WK020001-	
4		0729 910 73	* Cap	1		WK020001-	
5		0729 910 60	* Strainer	1		WK020001-	
6		0690 083 14	* Clamp, Hose	2		WK020001-	
7		0690 083 12	* Clamp, Hose	2		WK020001-	
8		D550 063 00	* Seal	1		WK020001-	
9		0857 909 UA	* Gauge, Fuel	1		WK020001-	
10		0710 200 02	* Plug	3		WK020001-	
11		0710 205 04	* Plug	1		WK020001-	
12		0565 050 12	* Screw, Pan Head	5		WK020001-	M5X12
13		0518 120 45	* Bolt, Treatment (W/L.W, F.W)	4		WK020001-	M12X45 P=1.25
14		0590 050 00	* Washer, Lock	5		WK020001-	M5
15		D070 606 07	* Hose, Fuel	1		WK020001-	L=1800
16		D070 606 09	* Hose, Fuel	1		WK020001-	L=650
17		D070 606 03	* Hose, Fuel	1		WK020001-	L=570
18		D070 606 10	* Hose, Fuel	1		WK020001-	L=2250
19		D070 606 13	* Hose, Fuel	1		WK020001-	L=2650
20		D070 606 14	* Hose, Fuel	1		WK020001-	L=350
21		0668 256 UA	* Cooler, Fuel	1		WK020001-	
22		D419 922 00	* Bracket	1		WK020001-	
23		D419 195 00	* Bracket	1		WK020001-	
24		0690 081 90	* Clamp, Hose	12		WK020001-	
25		0518 100 20	* Bolt, Treatment (W/L.W, F.W)	3		WK020001-	M10X20 P=1.25
26		0517 080 20	* Bolt, Treatment (W/L.W, F.W)	4		WK020001-	M8X20
27		0517 081 00	* Bolt, Treatment (W/L.W, F.W)	2		WK020001-	M8X100
28		0517 060 12	* Bolt, Treatment (W/L.W, F.W)	2		WK020001-	M6X12
29		4080 000 14	* Clamp, Hose	1		WK020001-	
30		4080 000 25	* Clamp, Hose	3		WK020001-	
31		0820 067 04	* Band, Cable	7		WK020001-	
32		0820 803 04	* Tube, Corrugate	M		WK020001-	L=1700
33		0820 803 04	* Tube, Corrugate	M		WK020001-	L=510
34		0820 803 04	* Tube, Corrugate	M		WK020001-	L=470
35		0820 803 04	* Tube, Corrugate	M		WK020001-	L=2050
36		0820 803 04	* Tube, Corrugate	M		WK020001-	L=2550
37		0820 803 04	* Tube, Corrugate	M		WK020001-	L=250
38		0724 107 08	* Valve	1		WK020001-	
39		0707 402 00	* Insert	1		WK020001-	
40		D060 343 00	* Connector	1		WK020001-	
41		0710 100 29	* Elbow	1		WK020001-	
42		0710 202 03	* Plug	1		WK020001-	PT3/8
43		0524 080 00	* Nut, Hex. (W/F.W)	1		WK020001-	M8
44		0518 100 25	* Bolt, Treatment (W/L.W, F.W)	3		WK020001-	M10X25 P=1.25
45		Y129A00 55600	* Filter, Fuel	1		WK020001-	YANMAR
45-1		Y129A00 55800	** Cartridge, Filter	1		WK020001-	YANMAR
46		Y129E00 55700	* Filter, Pre	1		WK020001-	YANMAR
47		Y119225 52102	* Pump Ass'y, Fuel	1		WK020001-	YANMAR

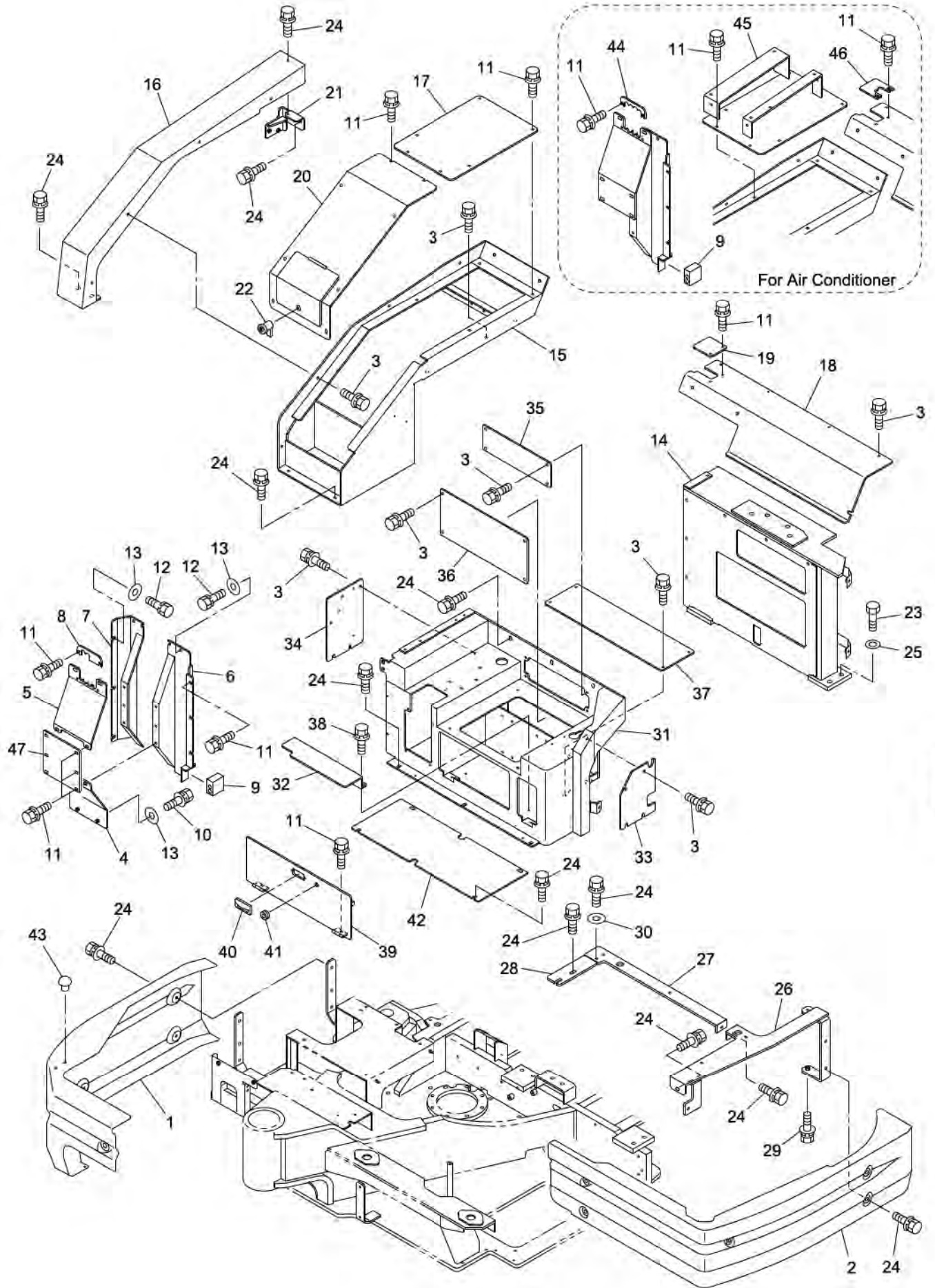
7



80V4-080100-1

KEY No.	SUP.	PART No.	DESCRIPTION	Q'TY	CHAN.	SERIAL No.	REMARKS
0	×	F355 403 00	Cover Ass'y	1		WK020001-	
1		D458 998 00	* Cover	1		WK020001-	
2		D458 842 00	* Cover	1		WK020001-	
3		0517 080 20	* Bolt, Treatment (W/L.W, F.W)	8		WK020001-	M8X20
4		0518 100 20	* Bolt, Treatment (W/L.W, F.W)	11		WK020001-	M10X20 P=1.25
5		D458 259 00	* Cover	1		WK020001-	
6		D419 542 00	* Bracket	1		WK020001-	
7		D418 908 00	* Bracket	1		WK020001-	
8		D418 909 00	* Bracket	1		WK020001-	
9		D419 323 00	* Bracket	1		WK020001-	
10		D260 552 00	* Stay	2		WK020001-	
11		0690 016 19	* Hinge	6		WK020001-	
12		0599 010 15	* Pin, Cotter	2		WK020001-	d=1.6X15
13		0910 870 05	* Seal	M		WK020001-	L=2500
14		0517 080 16	* Bolt, Treatment (W/L.W, F.W)	4		WK020001-	M8X16
15		0517 080 30	* Bolt, Treatment (W/L.W, F.W)	4		WK020001-	M8X30
16		0517 080 35	* Bolt, Treatment (W/L.W, F.W)	16		WK020001-	M8X35
17		0513 080 20	* Bolt, Treatment	2		WK020001-	M8X20
18		D400 273 00	* Plate	4		WK020001-	
19		0690 220 91	* Lock Ass'y	3		WK020001-	
20		0593 060 00	* Washer, Flat	2		WK020001-	M6
21		0593 080 00	* Washer, Flat	4		WK020001-	M8
22		0590 080 00	* Washer, Lock	4		WK020001-	M8
23		D458 195 00	* Cover	1		WK020001-	
24		D458 072 00	* Cover	1		WK020001-	
25		4550 726 00	* Seal	M		WK020001-	L=2300
26		4550 873 00	* Seal	M		WK020001-	L=2150
27		0652 274 UA	* Stay, Dumper	1		WK020001-	
28		D419 323 00	* Bracket	1		WK020001-	
29		D419 977 00	* Bracket	1		WK020001-	
30		0517 080 40	* Bolt, Treatment (W/L.W, F.W)	2		WK020001-	M8X40
31		0517 080 35	* Bolt, Treatment (W/L.W, F.W)	2		WK020001-	M8X35
32		0519 080 16	* Bolt, Treatment (W/L.W)	4		WK020001-	M8X16
33		D401 710 00	* Plate	2		WK020001-	
34		4016 030 04	* Pin, Snap	2		WK020001-	
35		D007 039 02	* Shim	AR		WK020001-	t=2.3
35-1		D007 039 03	* Shim	AR		WK020001-	t=1.6
36		4006 119 01	* Washer, Lock	4		WK020001-	M8
37		D458 723 00	* Cover	1		WK020001-	
38		D419 979 00	* Bracket	1		WK020001-	
39		D418 908 00	* Bracket	1		WK020001-	
40		D419 981 00	* Bracket	1		WK020001-	
41		0910 870 05	* Seal	M		WK020001-	L=1900
42		D458 727 00	* Cover	1		WK020001-	
43		D094 129 00	* Hinge	2		WK020001-	
44		4004 311 01	* Bolt, Button Head	2		WK020001-	M8X20
45		D458 770 00	* Cover	1		WK020001-	
46		D460 049 00	* Cover	1		WK020001-	
47		D460 129 00	* Cover	1		WK020109-	
48		D460 051 00	* Cover	1		WK020001-	
49		D458 774 00	* Cover	1		WK020001-	
50		D460 053 00	* Cover	1		WK020001-	

KEY No.	SUP.	PART No.	DESCRIPTION	Q'TY	CHAN.	SERIAL No.	REMARKS
51		D460 052 00	* Cover	1		WK020001-	
52		0480 100 20	* Bolt, Treatment (W/Flange)	26		WK020001-	M10X20 P=1.25
53		D460 122 00	* Cover	1		WK020001-	



HD80V4-080200-1

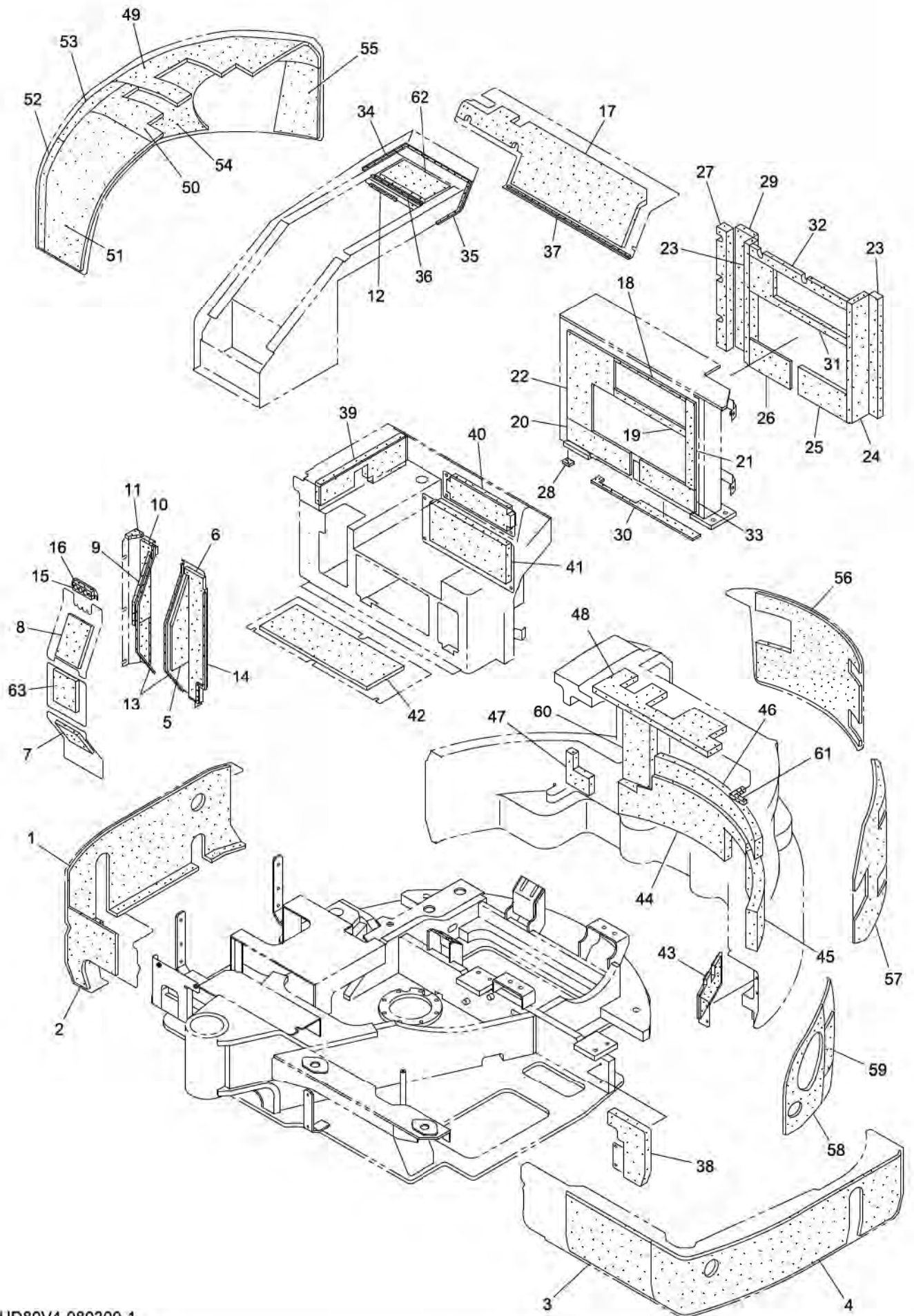
KATO HICOM

COVER ASS'Y(2)

MODEL HD85V4

SHEET No 8-2

KEY No.	SUP.	PART No.	DESCRIPTION	Q'TY	CHAN.	SERIAL No.	REMARKS
0	×	F355 403 00	Cover Ass'y	1		WK020001-	
0-1	×	F361 813 00	Cover Ass'y	1		WK020001-	
1		D458 721 00	* Cover	1		WK020001-	
2		D458 722 00	* Cover	1		WK020001-	
3		0518 100 20	* Bolt, Treatment (W/L.W, F.W)	32		WK020001-	M10X20 P=1.25
4		D460 163 00	* Cover	1		WK020073-	
5		D460 162 00	* Cover	1		WK020073-	
6		D460 010 00	* Cover	1		WK020001-	
7		D460 011 00	* Cover	1		WK020001-	
8		D460 015 00	* Cover	1		WK020001-	
9		D580 211 00	* Pad	1		WK020001-	
10		0517 080 60	* Bolt, Treatment (W/L.W, F.W)	2		WK020001-	M8X60
11		0517 080 20	* Bolt, Treatment (W/L.W, F.W)	34		WK020001-	MSX20
12		0519 080 20	* Bolt, Treatment (W/L.W)	5		WK020001-	M8X20
13		4006 119 01	* Washer	7		WK020001-	M8
14		D207 004 00	* Frame	1		WK020001-	
15		D206 999 00	* Frame	1		WK020001-	
16		D207 000 00	* Frame	1		WK020001-	
17		D458 985 00	* Cover	1		WK020001-	
18		D458 987 00	* Cover	1		WK020001-	
19		D458 988 00	* Cover	1		WK020001-	
20		D458 984 00	* Cover	1		WK020001-	
21		D419 738 00	* Bracket	1		WK020001-	
22		0690 220 92	* Lock Ass'y	1		WK020001-	
23		0555 160 45	* Bolt, Treatment	4		WK020001-	M16X45
24		0518 100 25	* Bolt, Treatment (W/L.W, F.W)	31		WK020001-	M10X25 P=1.25
25		0595 160 00	* Washer, Treatment	4		WK020001-	M16
26		D419 726 00	* Bracket	1		WK020001-	
27		D420 005 00	* Bracket	1		WK020001-	
28		D420 006 00	* Bracket	1		WK020001-	
29		0518 100 40	* Bolt, Treatment (W/L.W, F.W)	1		WK020001-	M10X40 P=1.25
30		4006 119 02	* Washer	1		WK020001-	M10
31		D207 003 00	* Frame	1		WK020001-	
32		D458 995 00	* Cover	1		WK020001-	
33		D458 994 00	* Cover	1		WK020001-	
34		D458 798 00	* Cover	1		WK020001-	
35		D458 992 00	* Cover	1		WK020001-	
36		D460 058 00	* Cover	1		WK020001-	
37		D458 993 00	* Cover	1		WK020001-	
38		0517 080 16	* Bolt, Treatment (W/L.W, F.W)	2		WK020001-	M8X16
39		D460 149 00	* Cover	1		WK020109-	
40		0690 211 08	* Handle	1		WK020001-	
41		0910 940 22	* Grommet	1		WK020001-	
42		D418 564 00	* Bracket	1		WK020001-	
43		0690 201 06	* Plug, Hole	2		WK020001-	
44		D460 019 00	* Cover	1		WK020001-	
45		D420 025 00	* Cover	1		WK020001-	
46		D460 018 00	* Cover	1		WK020001-	
47		D460 164 00	* Cover	1		WK020073-	



HD80V4-080300-1

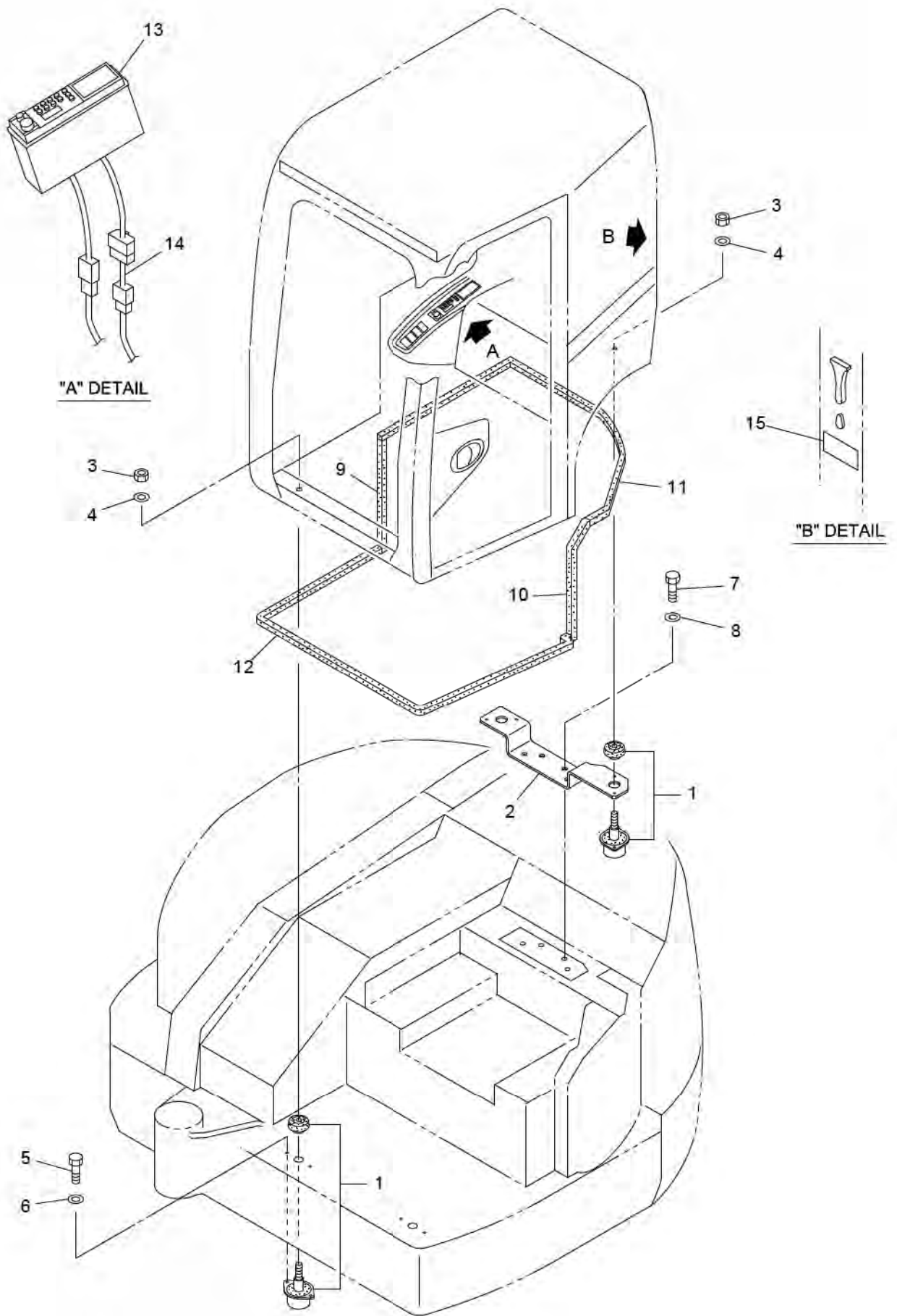
KATO HICOM

NOISE ABSORBENT ASS'Y

MODEL HD85V4

SHEET No 8-3

KEY No.	SUP.	PART No.	DESCRIPTION	Q'TY	CHAN.	SERIAL No.	REMARKS
0	×	F355 403 00	Noise Absorbent Ass'y	1		WK020001-	
0-1	×	F361 813 00	Noise Absorbent Ass'y	1		WK020001-	
0-2	×	F373 245 00	Noise Absorbent Ass'y	1		WK020001-	
1		D493 951 00	* Panel, Sponge	1		WK020001-	
2		D493 794 00	* Panel, Sponge	1		WK020001-	
3		D493 952 00	* Panel, Sponge	1		WK020001-	
4		D493 953 00	* Panel, Sponge	1		WK020001-	
5		D493 995 00	* Panel, Sponge	1		WK020001-	
6		D493 996 00	* Panel, Sponge	1		WK020001-	
7		D494 108 01	* Panel, Sponge	1		WK020073-	
8		D494 108 02	* Panel, Sponge	1		WK020073-	
9		D493 999 00	* Panel, Sponge	1		WK020001-	
10		D494 000 00	* Panel, Sponge	1		WK020001-	
11		D494 001 00	* Panel, Sponge	1		WK020001-	
12		D551 009 18	* Panel, Sponge	1		WK020001-	
13		D551 009 19	* Panel, Sponge	2		WK020001-	
14		D551 009 09	* Panel, Sponge	1		WK020001-	
15		D494 022 00	* Panel, Sponge	1		WK020001-	
16		D494 023 00	* Panel, Sponge	1		WK020001-	
17		D494 102 00	* Panel, Sponge	1		WK020001-	
18		D494 017 00	* Panel, Sponge	1		WK020001-	
19		D494 018 00	* Panel, Sponge	1		WK020001-	
20		D494 019 00	* Panel, Sponge	1		WK020001-	
21		D494 020 00	* Panel, Sponge	1		WK020001-	
22		D494 016 00	* Panel, Sponge	1		WK020001-	
23		D493 842 00	* Panel, Sponge	2		WK020001-	
24		D493 841 00	* Panel, Sponge	1		WK020001-	
25		D494 003 00	* Panel, Sponge	1		WK020001-	
26		D494 004 00	* Panel, Sponge	1		WK020001-	
27		D493 983 00	* Panel, Sponge	1		WK020001-	
28		D493 984 00	* Panel, Sponge	1		WK020001-	
29		D494 005 00	* Panel, Sponge	1		WK020001-	
30		D493 848 00	* Panel, Sponge	1		WK020001-	
31		D494 013 00	* Panel, Sponge	1		WK020001-	
32		D494 014 00	* Panel, Sponge	1		WK020001-	
33		D494 021 00	* Panel, Sponge	1		WK020001-	
34		D551 009 08	* Panel, Sponge	1		WK020001-	
35		D551 009 11	* Panel, Sponge	1		WK020001-	
36		D551 009 13	* Panel, Sponge	1		WK020001-	
37		D551 009 17	* Panel, Sponge	1		WK020001-	
38		D494 006 00	* Panel, Sponge	1		WK020001-	
39		D493 966 00	* Panel, Sponge	1		WK020001-	
40		D493 961 00	* Panel, Sponge	1		WK020001-	
41		D493 963 00	* Panel, Sponge	1		WK020001-	
42		D493 965 00	* Panel, Sponge	1		WK020001-	
43		D494 095 00	* Panel, Sponge	1		WK020001-	
44		D493 798 00	* Panel, Sponge	1		WK020001-	
45		D493 799 00	* Panel, Sponge	1		WK020001-	
46		D493 800 00	* Panel, Sponge	1		WK020001-	
47		D494 010 00	* Panel, Sponge	1		WK020001-	
48		D494 012 00	* Panel, Sponge	1		WK020001-	
49		D494 093 00	* Panel, Sponge	1		WK020001-	



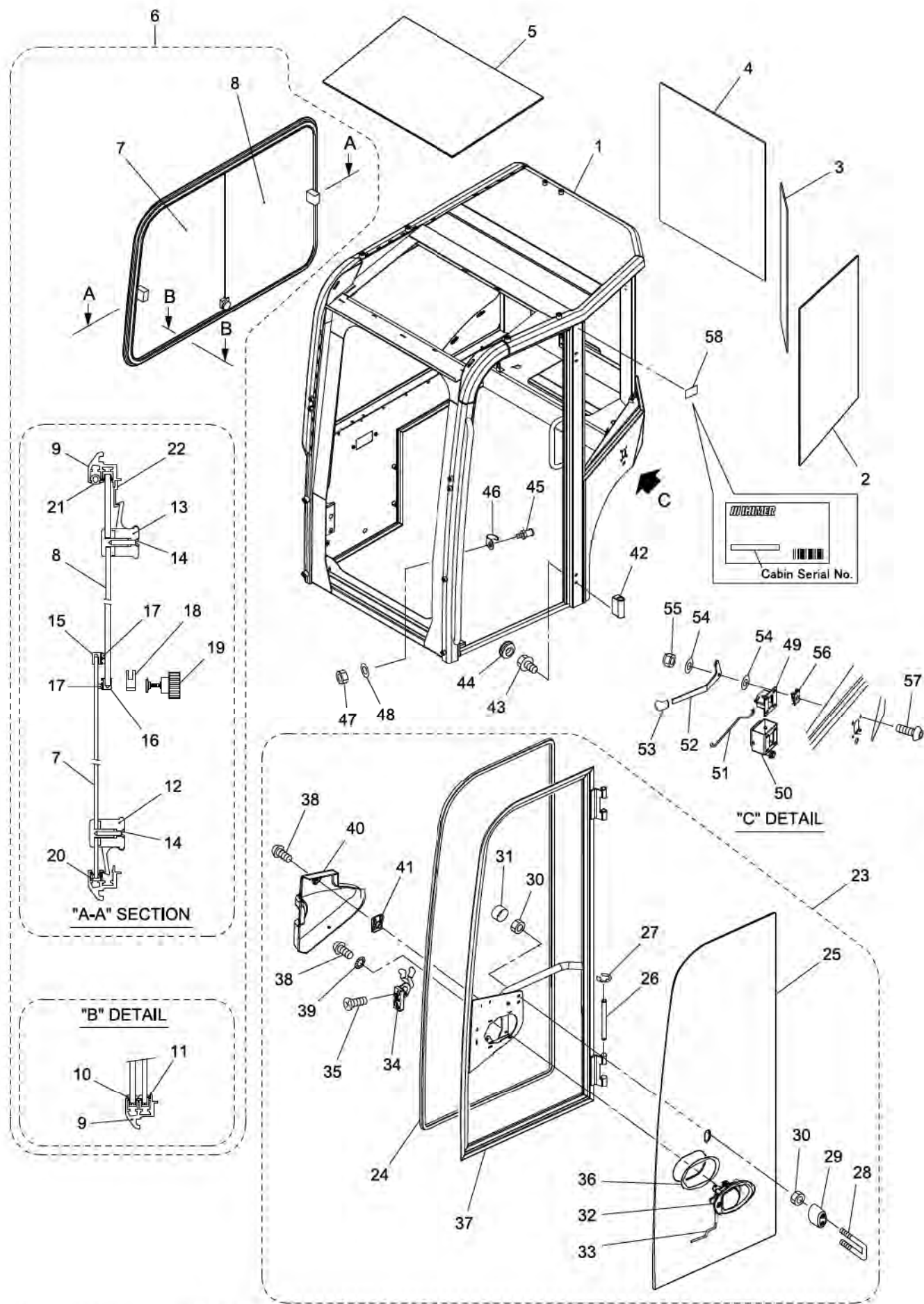
80V4-080400-1

KATO HICOM

OPERATOR ROOM ASS'Y (1)

MODEL HD85V4

SHEET No 8-4



V4ALL-150600-1

注意:1. 適用号機はキャビンのシリアルN o. です。NOTE:1. Application-type is serial No. of cabin.

KATO HICOM

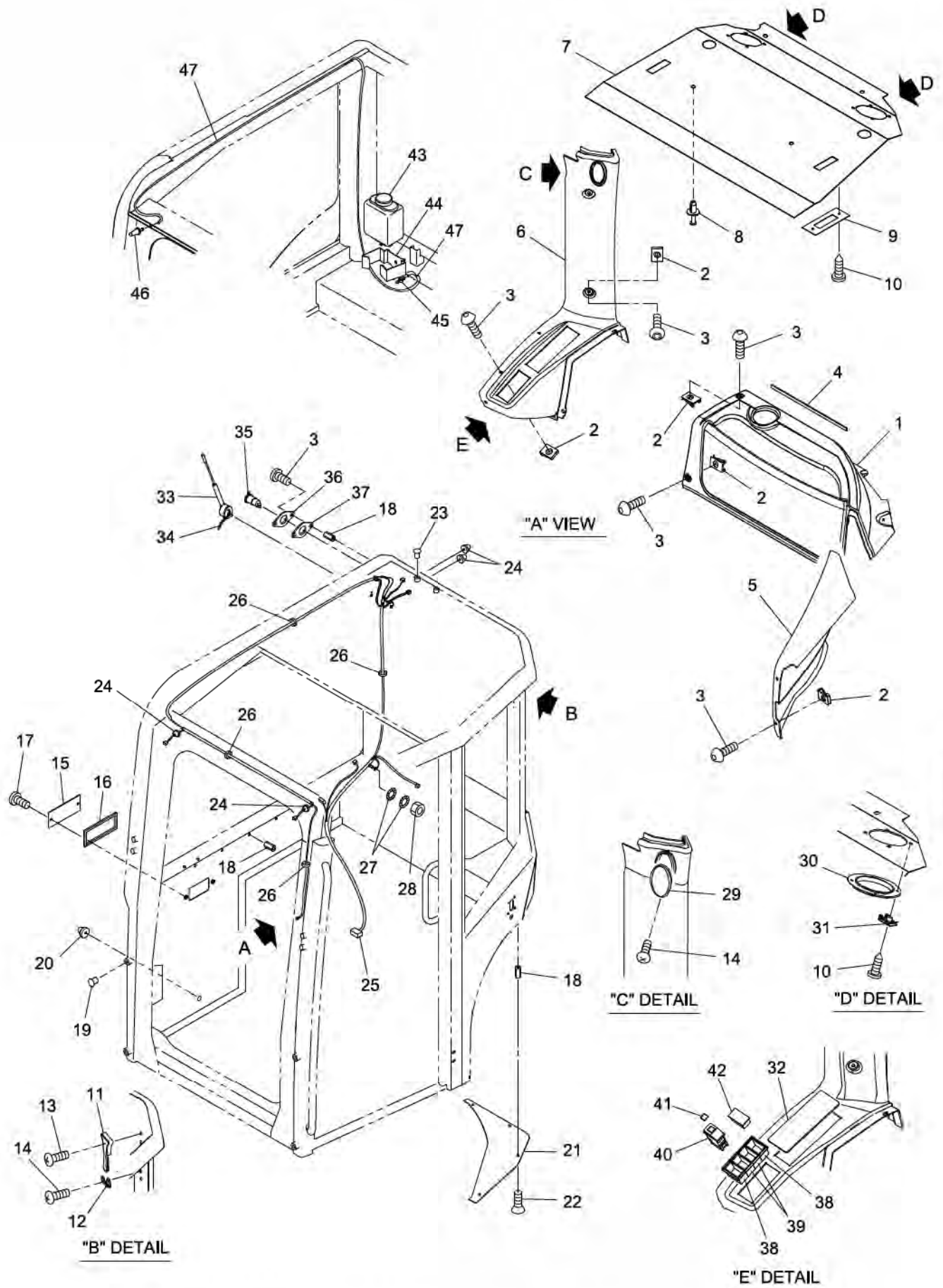
OPERATOR ROOM ASS'Y (2)

MODEL HD85V4

SHEET No 8-5

KEY No.	SUP.	PART No.	DESCRIPTION	Q'TY	CHAN.	SERIAL No.	REMARKS
0	×	F355 392 00	Cabin Ass'y	1		15709104-	
1		5060005342	* Cabin (Dark Grey)	1		15709104-	
1-1		5064705300	* Cabin (Light Grey)	1		15709104-	
2		4016000000	* Glass (L.H.)	1		15709104-	
3		4016000001	* Glass (Rear Side)	1		15709104-	
4		4016000002	* Glass (Rear)	1		15709104-	
5		4016000003	* Glass (Roof)	1		15709104-	
6		4016000004	* Window Ass'y, Side	1		15709104-	
7		4016000005	** Glass (Front)	1		15709104-	
8		4016000006	** Glass (Rear)	1		15709104-	
9		4016000007	** Frame, Glass	1		15709104-	
10		4016000008	** Shoe (Front)	1		15709104-	
11		4016000009	** Shoe (Rear)	1		15709104-	
12		4016000010	** Handle, Sliding (Front)	1		15709104-	
13		4016000011	** Handle, Sliding (Rear)	1		15709104-	
14		4016000012	** Bolt	4		15709104-	4.8X32
15		4016000013	** Support, Brush (Front)	1		15709104-	
16		4016000235	** Support, Brush (Rear)	1		15709104-	
17		4016000015	** Brush	3		15709104-	
18		4016000016	** Glass Blocking	1		15709104-	
19		4016000017	** Handle, Glass Blocking	1		15709104-	
20		4016000018	** Support, Sliding	2		15709104-	
21		4016000019	** Gasket	2		15709104-	
22		4016000020	** Handle, Stop	1		15709104-	
23		4016000233	* Door Ass'y (Dark Grey)	1		15709104-	
23-1		4016000234	* Door Ass'y (Light Grey)	1		15709104-	
24		4016000023	** Gasket	1		15709104-	L=4050
25		4016000024	** Glass (Door)	1		15709104-	
26		4015000088	** Pin, Hinge	2		15709104-	
27		4015000092	** Ring, Elastic	4		15709104-	d=10
28		4016000026	** Hook, Door Stop	1		15709104-	L=120
29		4016000028	** Absorber, Shock	1		15709104-	H=77
30		4016000029	** Nut, Special	4		15709104-	M8
31		4012000206	** Cap	2		15709104-	M8
32		4016000030	** Handle Ass'y	1		15709104-	
33		4016000031	** Rod	1		15709104-	
34		4013001426	** Lock, Door	1		15709104-	
35		3442505	** Bolt	1		15709104-	M8X40
36		4012000390	** Gasket	1		15709104-	
37		4016000021	** Frame, Door (Dark Grey)	1		15709104-	
37-1		4016000022	** Frame, Door (Light Grey)	1		15709104-	
38		4016000033	** Bolt	9		15709104-	M6X16
39		4012000185	** Washer Toothed	4		15709104-	M6
40		4016000034	** Cover	1		15709104-	
41		4016000035	** Clip	5		15709104-	M6
42		4016000036	* Hinge	2		15709104-	
43		4016000037	* Bolt	4		15709104-	M8X16
44		4016000038	* Cap	4		15709104-	d=20
45		4013001417	* Block	1		15709104-	
46		4013001418	* Block, Security	1		15709104-	
47		4012000260	* Nut	1		15709104-	M12X1
48		4015000109	* Washer Flat	1		15709104-	12.5X28

KEY No.	SUP.	PART No.	DESCRIPTION	Q'TY	CHAN.	SERIAL No.	REMARKS
49		4012000138	* Door Stop	1		15709104-	
50		4012000257	* Bracket	1		15709104-	
51		4016000039	* Rod, Tie	1		15709104-	
52		4016000040	* Lever	1		15709104-	
53		4012000259	* Handle	1		15709104-	
54		4016000041	* Washer Flat	2		15709104-	8.5X24
55		4015000091	* Nut	1		15709104-	M8
56		4016000035	* Clip	1		15709104-	M6
57		4016000033	* Bolt	1		15709104-	M6X16
58		2034207015	* Decal (Serial No., Cabin)	1		15709104-	



V4ALL-150700-1

注意:1. 適用号機はキャビンのシリアルN o. です。NOTE:1. Application-type is serial No. of cabin.

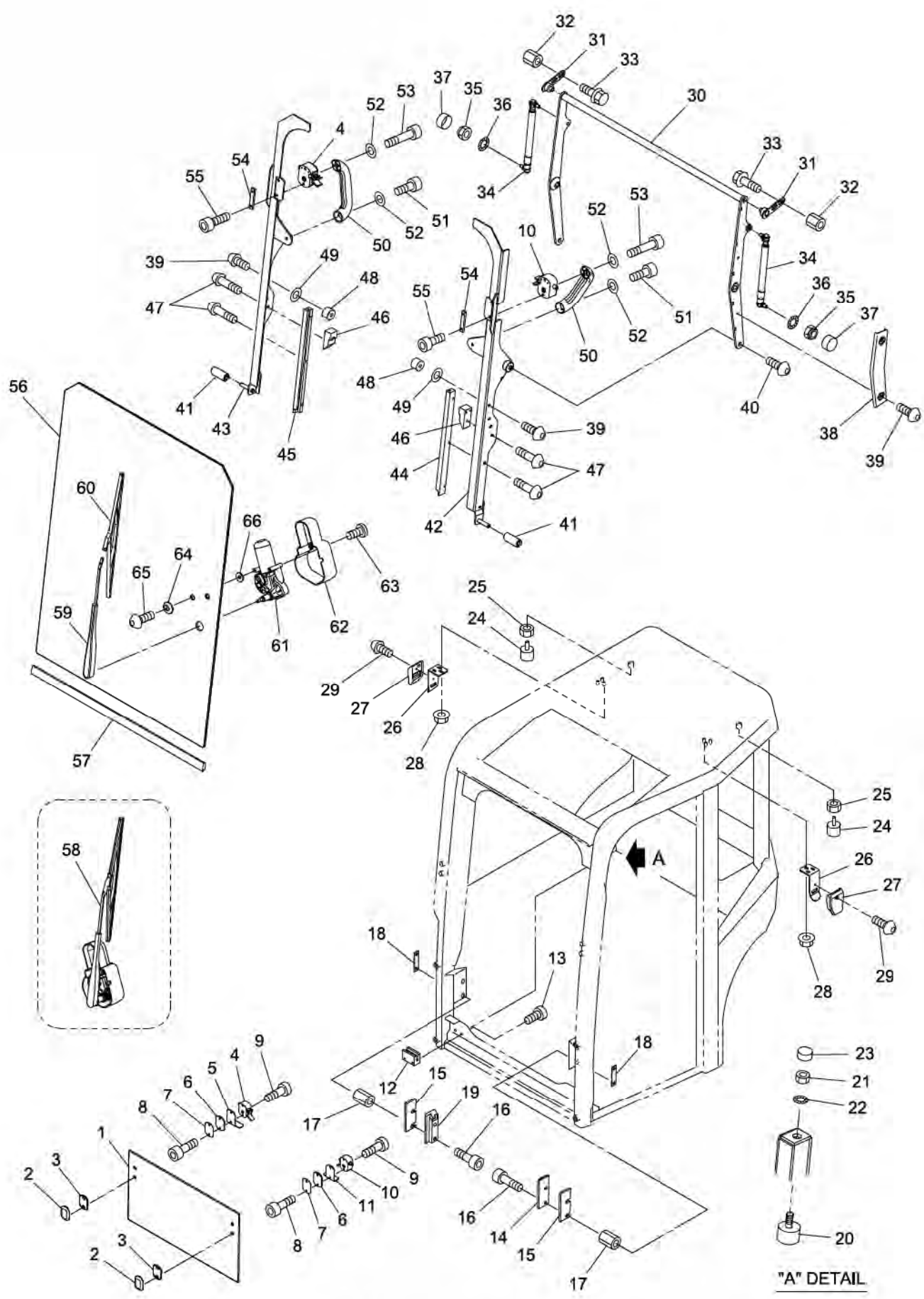
KATO HICOM

OPERATOR ROOM ASS'Y (3)

MODEL HD85V4

SHEET No 8-6

KEY No.	SUP.	PART No.	DESCRIPTION	Q'TY	CHAN.	SERIAL No.	REMARKS
0	×	F355 392 00	Cabin Ass'y	1		15709104-	
1		4016000042	* Cover (Rear)	1		15709104-	
2		4016000035	* Clip	12		15709104-	M6
3		4016000033	* Bolt	12		15709104-	M6X16
4		4016000043	* Gasket	1		15709104-	L=325
5		4016000044	* Cover (Left)	1		15709104-	
6		4016000045	* Cover (Right Upright)	1		15709104-	
7		4016000046	* Roof Coating	1		15709104-	
8		4016000047	* Clip	4		15709104-	d=8
9		4016000048	* Bracket	2		15709104-	
10		4016000049	* Bolt	8		15709104-	4.2X22
11		4016000050	* Hammer, Emergency	1		15709104-	
12		4012000239	* Hook	1		15709104-	
13		4012000291	* Bolt	2		15709104-	3.5X16
14		4016000051	* Bolt	4		15709104-	4.2X13
15		4016000052	* Bracket	1		15709104-	
16		4016000053	* Gasket	1		15709104-	L=470
17		4016000054	* Bolt	2		15709104-	M6X12
18		4012000356	* Nut	11		15709104-	M6
19		4016000055	* Plug	8		15709104-	d=13X11
20		4012000297	* Plug, Rubber	1		15709104-	
21		4016000056	* Plate (Lower)	1		15709104-	
22		4016000057	* Bolt	4		15709104-	M6X16
23		4016000058	* Plug	8		15709104-	d=12X11.5
24		4012000367	* Plug, Rubber	4		15709104-	
25		4016000059	* Harness	1		15709104-	
26		4016000060	* Band, Cable	6		15709104-	4.8X200
27		4012000185	* Washer Toothed	2		15709104-	M6
28		4012000303	* Nut	1		15709104-	M6
29		4016000061	* Light	1		15709104-	
30		4016000062	* Cover, Audio	1		15709104-	
31		4016000063	* Clip	4		15709104-	
32		4012000274	* Cover	1		15709104-	
33		4012000314	* Antenna	1		15709104-	
34		4012000316	* Cable, Antenna	1		15709104-	L=2300
35		4016000064	* Plug	1		15709104-	
36		4016000065	* Bracket	1		15709104-	
37		4016000066	* Gasket	1		15709104-	
38		4012000251	* Frame, Side Switch	2		15709104-	
39		4012000252	* Frame, Central Switch	2		15709104-	
40		4012000250	* Switch, Wiper	1		15709104-	
41		4012000254	* Label	1		15709104-	
42		4012000255	* Cap	3		15709104-	
43		4012000256	* Tank	1		15709104-	
44		4016000067	* Bracket	1		15709104-	
45		4012000216	* Valve, Connection	1		15709104-	
46		4012000245	* Atomizer	1		15709104-	
47		4016000068	* Pipe	1		15709104-	L=2550



V4ALL-150800-1

注意:1. 適用号機はキャビンのシリアルNo.です。NOTE:1. Application-type is serial No. of cabin.

KATO HICOM

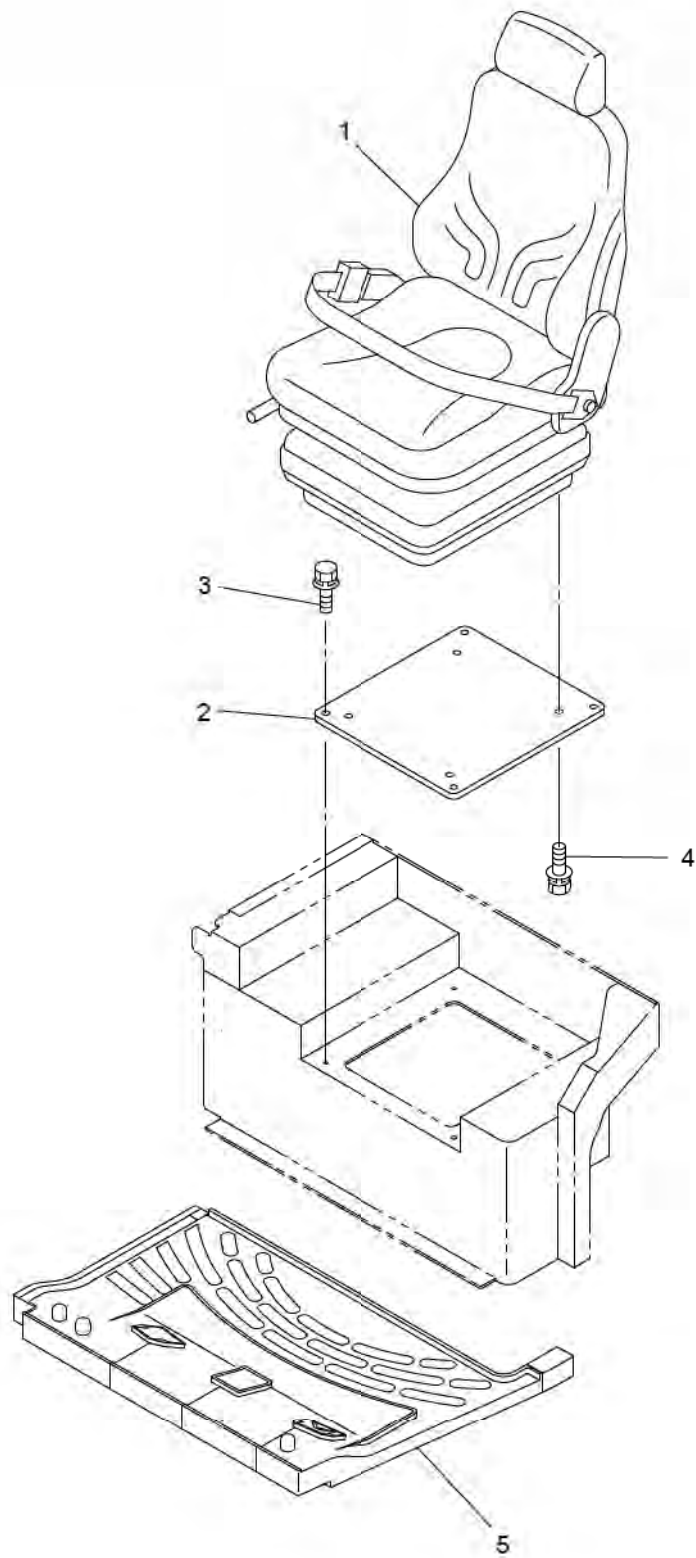
OPERATOR ROOM ASS'Y (4)

MODEL HD85V4

SHEET No 8-7

KEY No.	SUP.	PART No.	DESCRIPTION	Q'TY	CHAN.	SERIAL No.	REMARKS
0	×	F355 392 00	Cabin Ass'y	1		15709104-	
1		4016000069	* Glass	1		15709104-	
2		4016000070	* Lock, Cover	2		15709104-	
3		4016000071	* Gasket	2		15709104-	
4		4016000072	* Lock (R.H.)	2		15709104-	
5		4016000073	* Handle (R.H.)	1		15709104-	
6		4016000074	* Spacer	2		15709104-	
7		4016000075	* Gasket	2		15709104-	
8		4016000076	* Bolt	4		15709104-	M6X25
9		4016000077	* Bolt	2		15709104-	M8X25
10		4016000078	* Lock (L.H.)	2		15709104-	
11		4016000079	* Handle (L.H.)	1		15709104-	
12		4016000080	* Shoe (Lower)	2		15709104-	
13		4016000081	* Bolt	4		15709104-	M8X20
14		4016000082	* Shoe (L.H.)	1		15709104-	
15		4016000083	* Spacer	2		15709104-	
16		4016000084	* Bolt	4		15709104-	M8X35
17		4012000370	* Nut	4		15709104-	M8
18		4016000085	* Bracket	2		15709104-	
19		4016000086	* Shoe (R.H.)	1		15709104-	
20		4016000087	* Stopper, Rubber	2		15709104-	M6X15 H=15
21		4012000186	* Nut	2		15709104-	M6
22		4012000185	* Washer Toothed	2		15709104-	M6
23		4012000240	* Cap	2		15709104-	M6
24		4016000088	* Stopper, Rubber	2		15709104-	M6X18 H=20
25		4016000089	* Nut, Lock	2		15709104-	M6
26		4016000090	* Bracket	2		15709104-	
27		4016000091	* Protection, Door	2		15709104-	
28		4016000029	* Nut, Special	6		15709104-	M8
29		4016000033	* Bolt	2		15709104-	M6X16
30		4016000092	* Frame, Door	1		15709104-	
31		4016000093	* Bracket	2		15709104-	
32		4016000094	* Nut	4		15709104-	M8
33		4016000095	* Bolt	4		15709104-	M8X20
34		4016000096	* Spring, Gas	2		15709104-	400N-M8
35		4015000091	* Nut, Lock	2		15709104-	M8
36		4012000428	* Washer, Special	4		15709104-	M8
37		4012000206	* Cap	2		15709104-	M8
38		4016000097	* Cover	1		15709104-	
39		4016000054	* Bolt	4		15709104-	M6X12
40		4016000098	* Bolt	2		15709104-	M8X25
41		4016000099	* Bushing	2		15709104-	
42		4016000100	* Frame (L.H.)	1		15709104-	
43		4016000101	* Frame (R.H.)	1		15709104-	
44		4016000102	* Guide (L.H.)	1		15709104-	
45		4016000103	* Guide (R.H.)	1		15709104-	
46		4016000104	* Shoe	2		15709104-	
47		4013001450	* Bolt	10		15709104-	M5X16
48		4016000105	* Stopper, Rubber	2		15709104-	M6 H=15
49		4012000215	* Washer Flat	2		15709104-	
50		4016000106	* Handle	2		15709104-	
51		4016000107	* Bolt	2		15709104-	M8X20

KEY No.	SUP.	PART No.	DESCRIPTION	Q'TY	CHAN.	SERIAL No.	REMARKS
52		4012000189	* Washer Flat	4		15709104-	M8
53		4016000108	* Bolt	2		15709104-	M8X40
54		4016000109	* Bracket	2		15709104-	
55		4016000110	* Bolt	4		15709104-	M6X14
56		4016000111	* Glass	1		15709104-	
57		4016000112	* Gasket	1		15709104-	L=775
58		4016000113	* Wiper	1		15709104-	
59		4013001438	** Arm, Wiper	1		15709104-	
60		4013001437	** Blade, Wiper	1		15709104-	L=400
61		4016000114	** Motor, Wiper	1		15709104-	
62		4012000352	** Cover, Motor	1		15709104-	
63		4016000033	* Bolt	2		15709104-	M6X16
64		4012000210	* Washer, Nylon	2		15709104-	d=19.5
65		4016000115	* Bolt	2		15709104-	M6X25
66		4016000116	* Washer, Special	2		15709104-	d=6.5X18



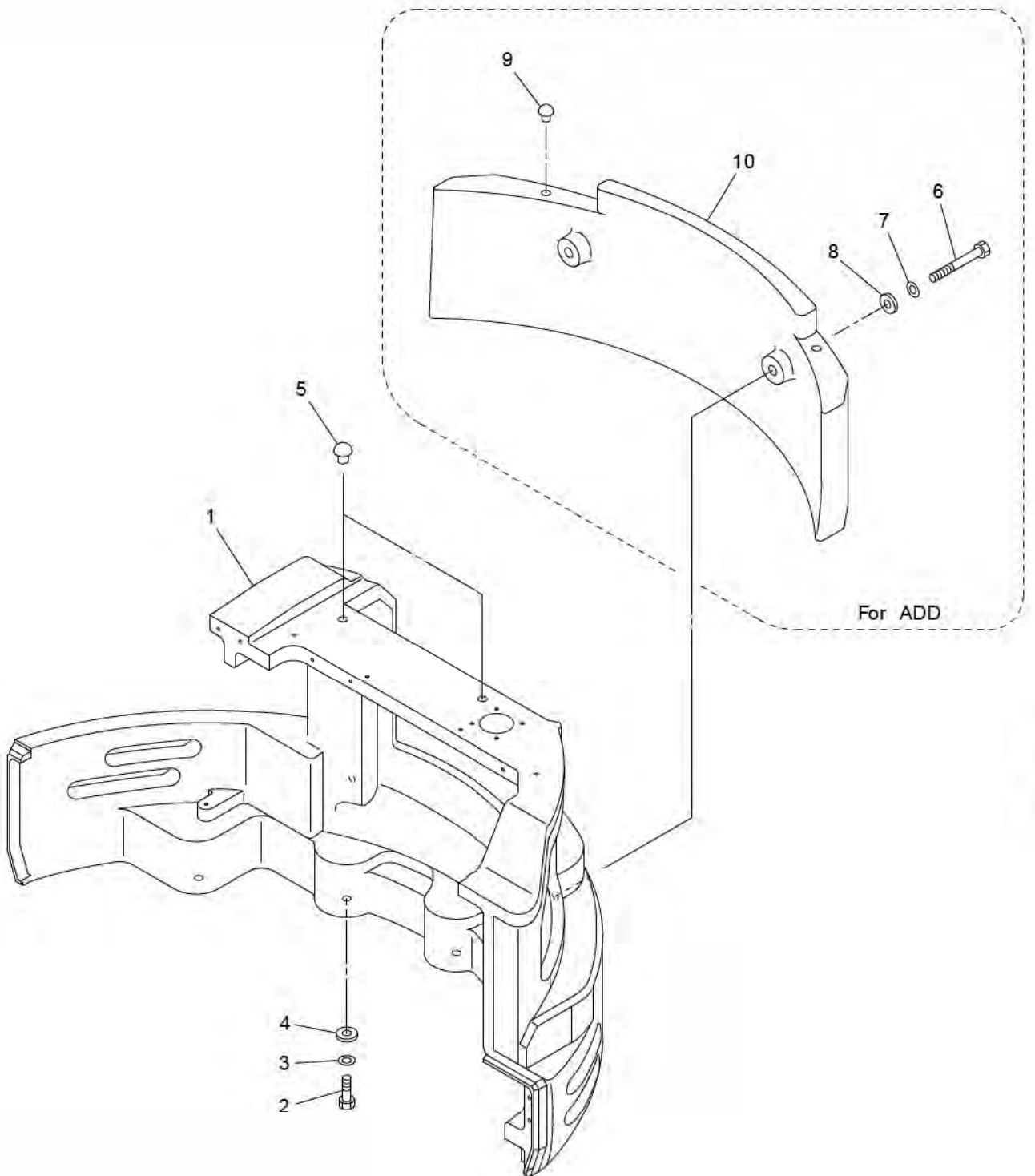
80V4-080800-1

KATO HICOM

MODEL HD85V4

OPERATOR SEAT & MAT ASS'Y

KEY No.	SUP.	PART No.	DESCRIPTION	Q'TY	CHAN.	SERIAL No.	REMARKS
0	×	F355 329 00	Seat Ass'y, Operator	1		WK020001-	
0-1	×	F355 206 00	Mat Ass'y	1		WK020001-	
1		0655 555 UA	* Seat, Operator	1		WK020001-	Fabric
2		D419 723 00	* Bracket	1		WK020001-	
3		0518 100 20	* Bolt, Treatment (W/L.W, F.W)	4		WK020001-	M10X20 P=1.25
4		0517 080 20	* Bolt, Treatment (W/L.W, F.W)	4		WK020001-	M8X20
5		D581 204 00	* Mat	1		WK020001-	



80V4-080900-1

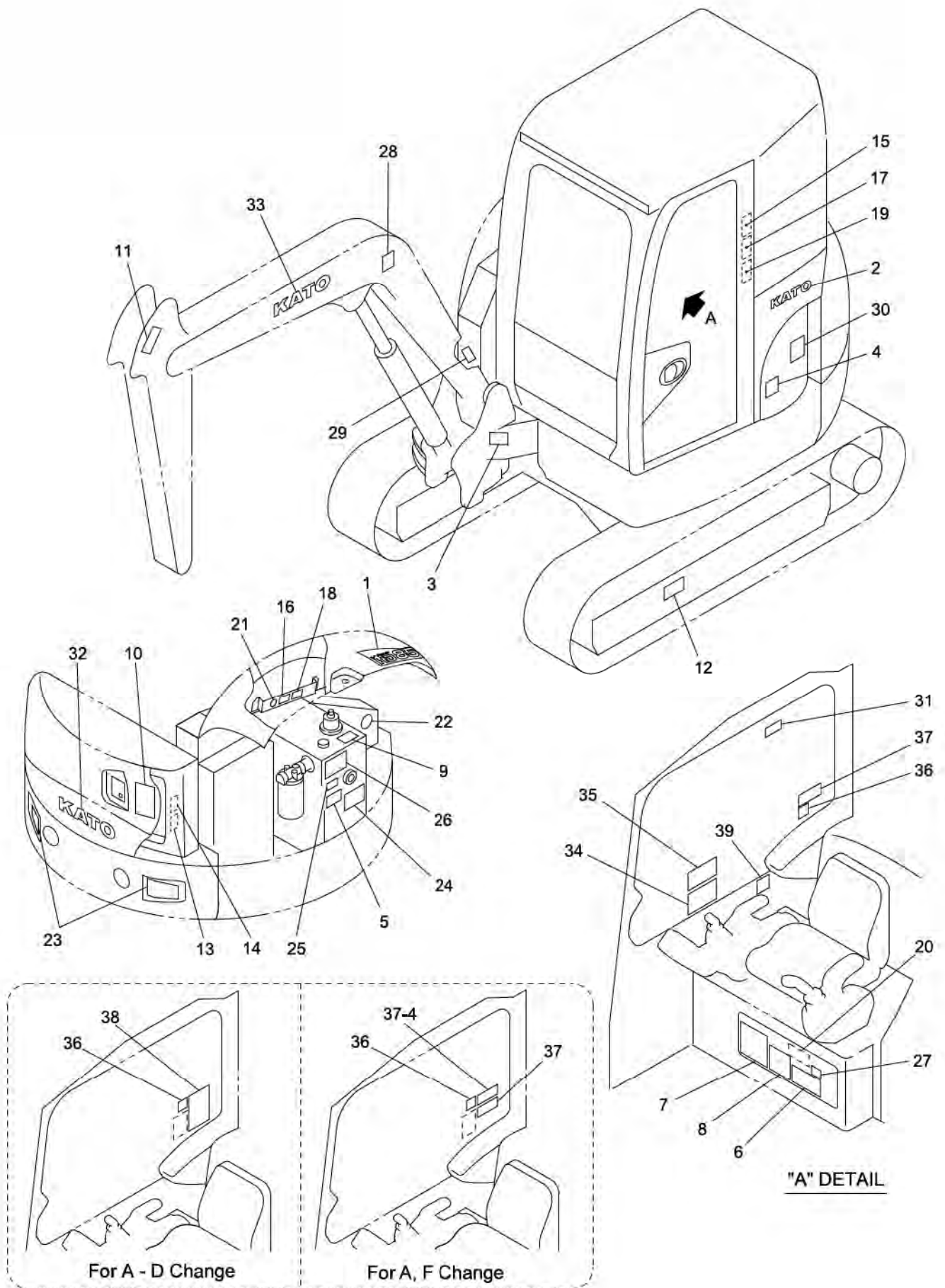
KATO HICOM

COUNTER WEIGHT ASS'Y

MODEL HD85V4

SHEET No 8-9

KEY No.	SUP.	PART No.	DESCRIPTION	Q'TY	CHAN.	SERIAL No.	REMARKS
0	×	F373 245 00	Weight Ass'y, Counter	1		WK020001-	
1		D263 297 00	* Weight, Counter	1		WK020001-	
2		0555 240 90	* Bolt, Treatment	4		WK020001-	M24X90
3		0595 240 00	* Washer, Treatment	4		WK020001-	M24
4		D006 032 00	* Washer	4		WK020001-	M24
5		0690 201 13	* Plug	2		WK020001-	
6		0555 201 50	* Bolt, Treatment	2		WK020001-	M20X150
7		0595 200 00	* Washer, Treatment	2		WK020001-	M20
8		D006 047 00	* Washer	2		WK020001-	M20
9		0690 201 11	* Plug, Hole	2		WK020001-	
10		D263 299 00	* Weight	1		WK020001-	For ADD



HD80V4-08100A-1

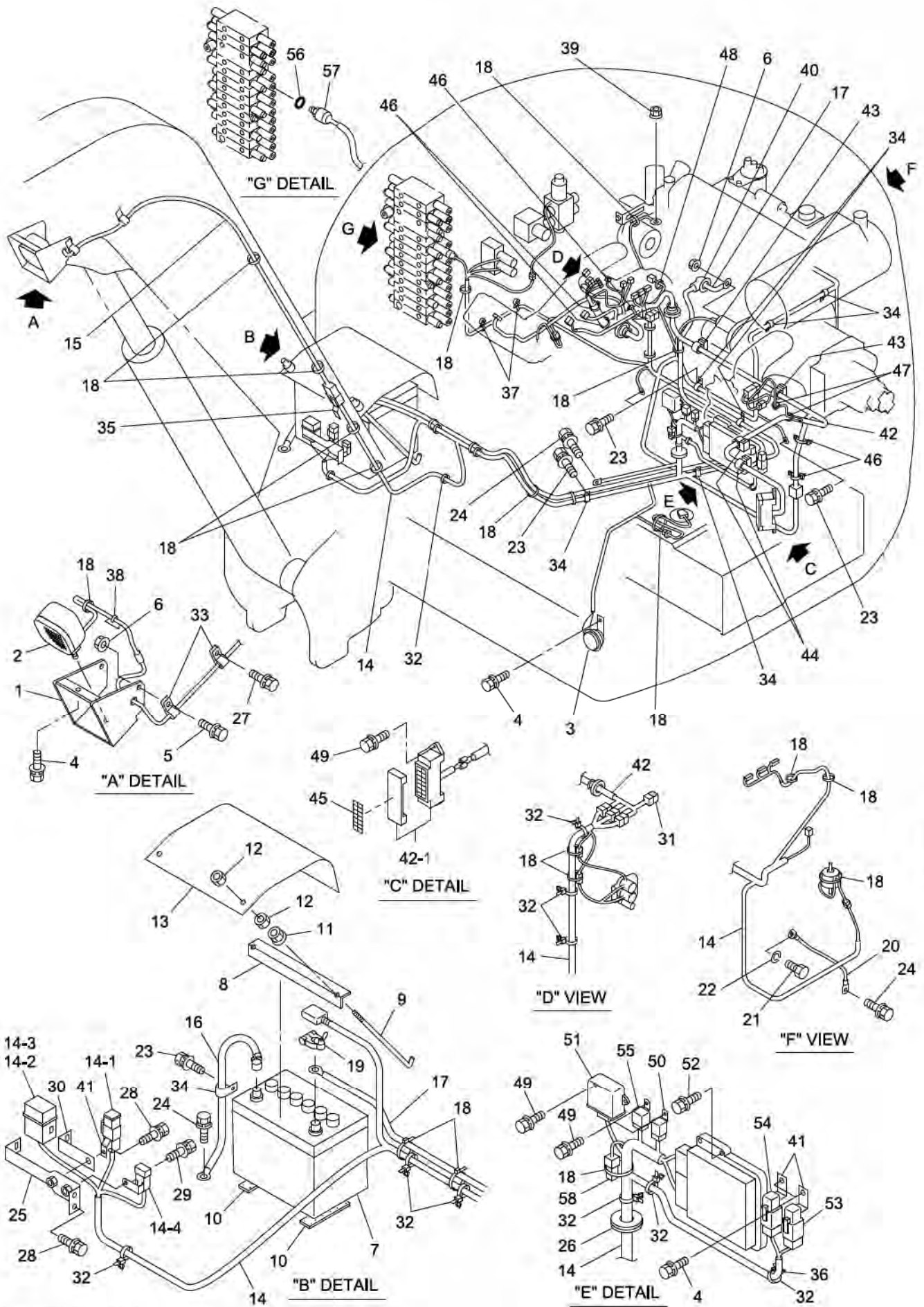
KATO HICOM

NAME PLATE ASS'Y (FOR ENGLISH)

MODEL HD85V4

SHEET No 8-10[A]

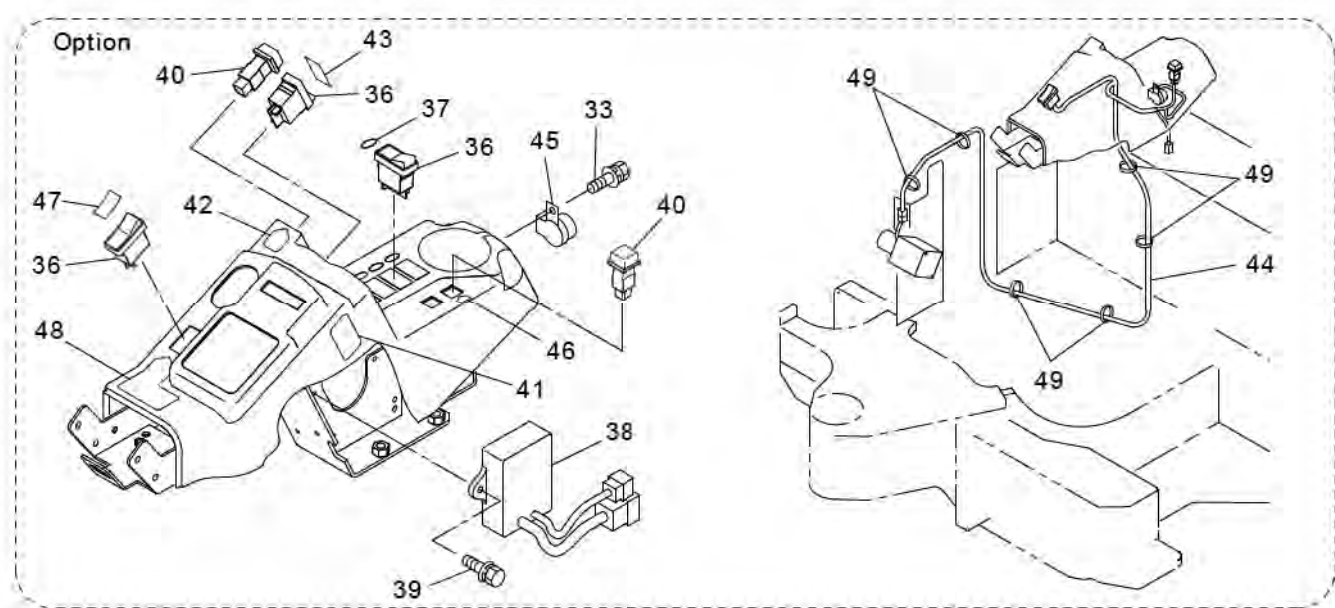
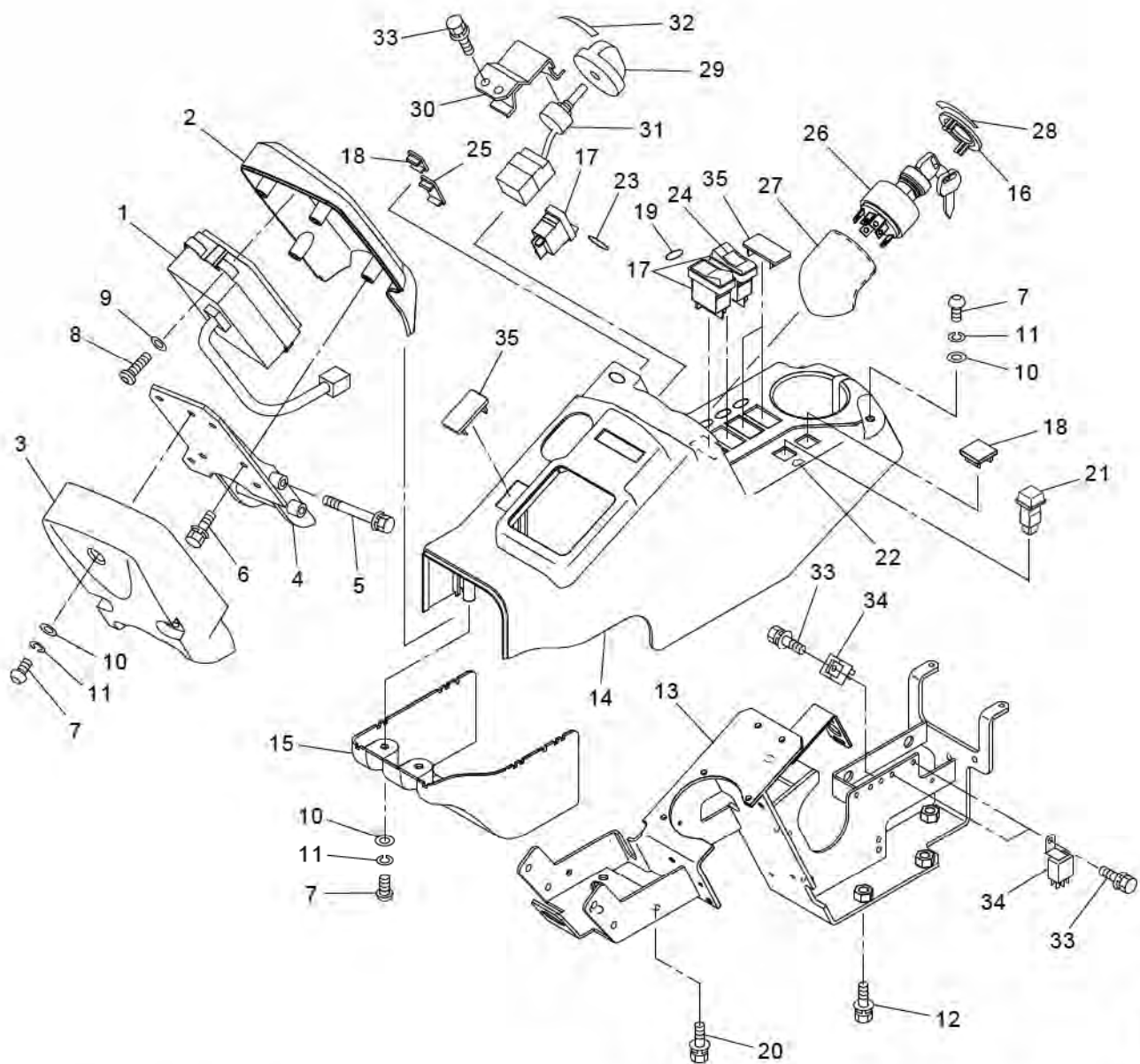
KEY No.	SUP.	PART No.	DESCRIPTION	Q'TY	CHAN.	SERIAL No.	REMARKS
0	×	F378 113 00	Decal Ass'y	1		WK020109-	
0-1	×	F377 855 00	Decal Ass'y	1		WK020109-	
1		D409 026 00	* Decal (Model)	1		WK020109-	
2		D4K0 018 00	* Decal (KATO)	1		WK020109-	
3	×	D408 944 00	* Decal (Serial No.)	1		WK020109-	
3-1	×	D408 948 00	* Decal (Serial No.) (CE)	1		WK020109-	
3-2		0497 035 00	* Screw, Drive	4		WK020109-	d=3
4		4407 974 00	* Decal (Oil)	1		WK020109-	
5		D406 504 00	* Decal (Oil Check)	1		WK020109-	
6		D408 806 00	* Decal (Lub. Chart)	1		WK020109-	
7		D407 887 00	* Decal (Engine Daily Check)	1		WK020109-	
8		4406 458 00	* Decal (Safety Works)	1		WK020109-	
9		D408 424 00	* Decal (Tank Decompression)	1		WK020109-	
10		D405 507 00	* Decal (Caution)	1		WK020109-	
11		D405 511 00	* Decal (Caution)	2		WK020109-	
12		D405 505 00	* Decal (Caution)	2		WK020109-	
13		D405 366 00	* Decal (Caution)	1		WK020109-	
14		D405 509 00	* Decal (Caution)	1		WK020109-	
15		D405 359 00	* Decal (Caution)	1		WK020109-	
16		D405 503 00	* Decal (Caution)	1		WK020109-	
17		D405 508 00	* Decal (Caution)	1		WK020109-	
18		D405 504 00	* Decal (Caution)	1		WK020109-	
19		D405 506 00	* Decal (Caution)	1		WK020109-	
20		D405 323 00	* Decal (Caution)	1		WK020109-	
21		D408 653 00	* Decal (Anti-Freezing Solution)	1		WK020109-	
22		D406 783 00	* Decal (Environment)	1		WK020109-	
23		D408 371 00	* Decal (Reflector)	2		WK020109-	
24		D408 972 00	* Decal (Boom Lowering)(CE)	1		WK020109-	
25		4448 651 00	* Decal (Spare Port Change)	1		WK020109-	
26		4447 857 00	* Decal (Caution)	1		WK020109-	
27		4448 474 00	* Decal (Transport Fix)(CE)	1		WK020109-	
28		D408 798 00	* Decal (Lifting Procedures)(CE)	1		WK020109-	
29	×	D408 967 00	* Decal (New Machine)	1		WK020109-	
30		D406 364 00	* Decal (Noise 98)(CE)	1		WK020109-	
31		D405 510 00	* Decal (Caution)	1		WK020109-	
32		D4K0 036 00	* Decal (KATO)	1		WK020109-	
33		D4K6 050 00	* Decal (KATO)	2		WK020109-	
34		D408 651 00	* Decal (Lamp, DPF)	1		WK020109-	
35		D408 650 00	* Decal (Caution)	1		WK020109-	
36		D406 630 00	* Decal (Blade, Pedal)	1		WK020109-	
37		D406 622 00	* Decal (Control A)	1		WK020109-	
37-1		D406 623 00	* Decal (Control B)	1		WK020109-	
37-2		D406 624 00	* Decal (Control C)	1		WK020109-	
37-3		D406 625 00	* Decal (Control D)	1		WK020109-	
37-4		D406 626 00	* Decal (Control F)	1		WK020109-	
38		D406 628 00	* Decal (Control A-D)	1		WK020109-	
39		D409 001 00	* Decal (Caution)	1		WK020109-	



HD80V4-090100-1

KEY No.	SUP.	PART No.	DESCRIPTION	Q'TY	CHAN.	SERIAL No.	REMARKS
0	×	F367 000 00	Electrical System	1		WK020001-	
0-1	×	F355 375 00	Accessories Ass'y	1		WK020001-	
0-2	×	F366 959 00	Battery Ass'y	1		WK020001-	
1		D458 270 00	* Cover	1		WK020001-	
2		0854 529 UA	* Light Ass'y	1		WK020001-	
2-1		0854 529 05	** Bulb	1		WK020001-	
2-2		0854 529 01	** Lens	1		WK020001-	
2-3		0552 080 20	** Bolt, Hex.	1		WK020001-	M8X20
2-4		0521 080 00	** Nut, Hex.(W/F.W)	1		WK020001-	M8
3		0861 001 02	* Horn	1		WK020001-	
4		0517 080 16	* Bolt, Treatment (W/L.W, F.W)	4		WK020001-	M8X16
5		0517 080 40	* Bolt, Treatment (W/L.W, F.W)	2		WK020001-	M8X40
6		0521 080 00	* Nut, Hex. (W/F.W)	3		WK020001-	M8
7		0851 000 02	* Battery	1		WK020001-	
8		4416 063 01	* Bracket	1		WK020001-	
9		4004 022 04	* Bolt, Hook	2		WK020001-	M6X280
10		4409 625 11	* Plate, Rubber	2		WK020001-	
11		0521 060 00	* Nut, Hex. (W/F.W)	2		WK020001-	M6
12		0544 060 00	* Nut, Hex.	4		WK020001-	M6
13		4458 322 00	* Cover	1		WK020001-	
14	△	D592 598 00	* Harness, Main	1		WK020085-	
14-1		0830 291 01	** Link, Fusible	1		WK020001-	65A
14-2		0830 106 00	** Link, Fusible	1		WK020001-	60A
14-3		0830 106 04	** Link, Fusible	1		WK020001-	80A
14-4		0830 243 02	** Fuse	1		WK020001-	20A
15	△	0879 551 30	* Harness	1		WK020001-	
16		D591 718 05	* Cable, Battery	1		WK020001-	L=350
17		D591 866 01	* Cable, Battery	1		WK020001-	L=2500
18		0820 067 03	* Band, Cable	22		WK020001-	
19		0852 119 22	* Terminal	1		WK020001-	
20		D591 717 01	* Band, Earth	1		WK020001-	L=350
21		0550 100 20	* Bolt, Hex.	1		WK020001-	M10X20
22		0590 100 00	* Washer, Lock	1		WK020001-	M10
23		0518 100 20	* Bolt, Treatment (W/L.W, F.W)	7		WK020001-	M10X20 P=1.25
24		0518 100 16	* Bolt, Treatment (W/L.W, F.W)	3		WK020001-	M10X16 P=1.25
25		D419 996 00	* Bracket	1		WK020001-	
26		0910 950 20	* Grommet	1		WK020001-	
27		0517 080 12	* Bolt, Treatment (W/L.W, F.W)	1		WK020001-	M8X12
28		0517 080 20	* Bolt, Treatment (W/L.W, F.W)	3		WK020001-	M8X20
29		0517 060 16	* Bolt, Treatment (W/L.W, F.W)	1		WK020001-	M6X16
30		D417 821 00	* Bracket	1		WK020001-	
31		0820 658 01	* Cap	1		WK020001-	
32		0690 082 08	* Clamp, Hose	13		WK020001-	
33		4080 000 03	* Clamp, Hose	2		WK020001-	
34		4080 000 05	* Clamp, Hose	8		WK020001-	
35		0690 081 92	* Clamp	1		WK020001-	
36		0690 082 10	* Clamp	1		WK020001-	
37		0820 067 31	* Band, Cable	2		WK020001-	
38		0820 069 13	* Sticker	1		WK020001-	
39		0521 060 00	* Nut, Hex. (W/F.W)	1		WK020001-	M6
40		D528 004 00	* Cap	1		WK020001-	
41		0690 081 89	* Clip	3		WK020001-	

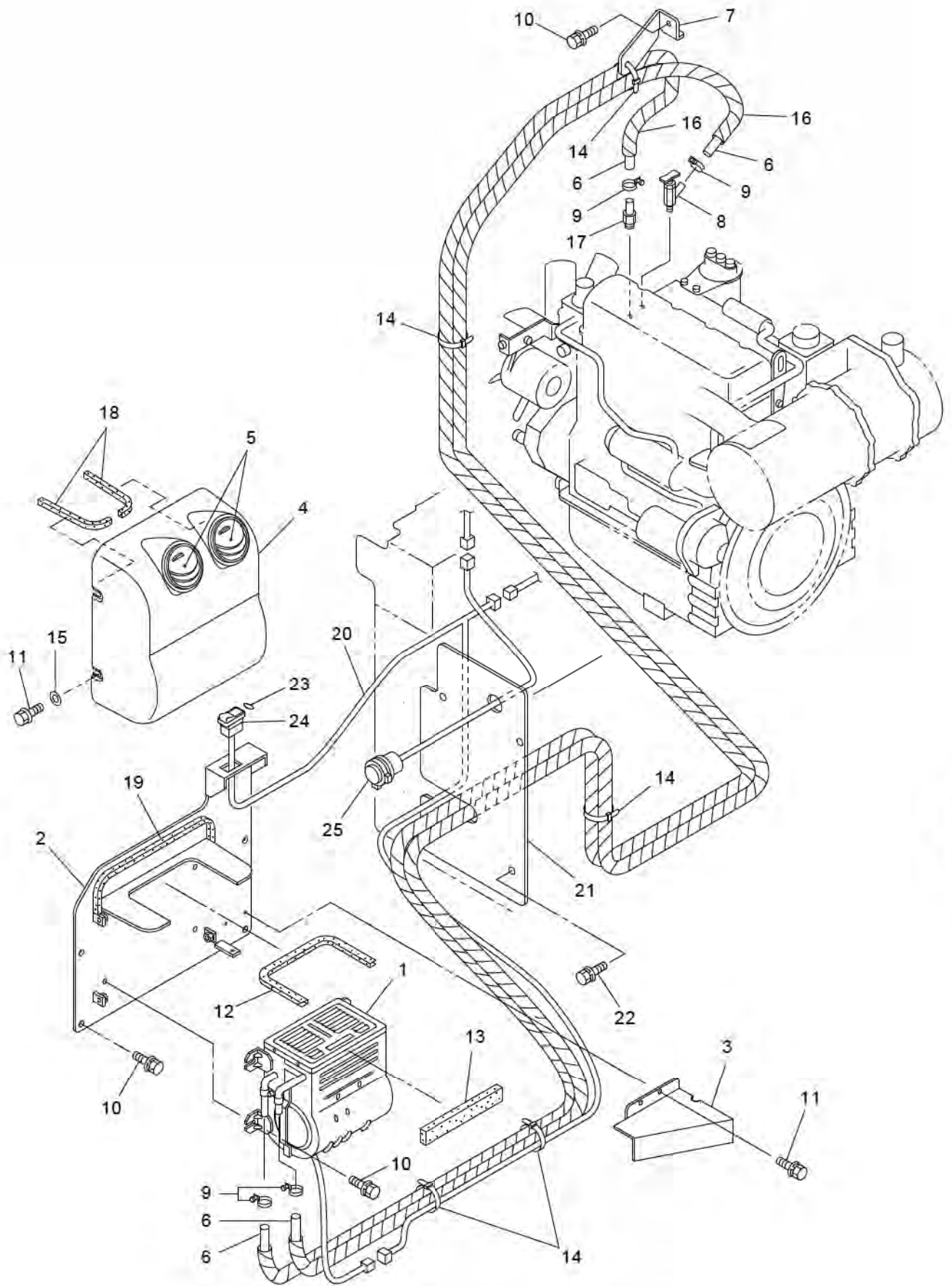
KEY No.	SUP.	PART No.	DESCRIPTION	Q'TY	CHAN.	SERIAL No.	REMARKS
42	△	D592 588 00	* Harness	1		WK020085-	
42-1		0858 140 01	** Box, Fuse	1		WK020001-	
42-2		0830 107 11	** Fuse	1		WK020001-	2A
42-3		0830 107 12	** Fuse	1		WK020001-	5A
42-4		0830 107 06	** Fuse	8		WK020001-	10A
42-5		0830 107 07	** Fuse	1		WK020001-	15A
42-6		0830 107 08	** Fuse	2		WK020001-	20A
42-7		0830 107 09	** Fuse	1		WK020001-	25A
42-8		0830 107 10	** Fuse	2		WK020001-	30A
43		0690 082 05	* Clamp, Hose	2		WK020001-	
44		0690 082 03	* Clamp, Hose	2		WK020001-	
45		D408 292 00	* Decal	1		WK020001-	
46		0690 082 08	* Clamp, Hose	5		WK020001-	
47		0820 067 03	* Band, Cable	2		WK020001-	
48		0820 067 04	* Band, Cable	1		WK020001-	
49		0517 060 20	* Bolt, Treatment (W/L.W, F.W)	6		WK020001-	M6X20
50		0820 215 07	* Relay	1		WK020001-	
51		0820 215 10	* Relay, Flip-Flop	1		WK020001-	
52		0517 060 25	* Bolt, Treatment (W/L.W, F.W)	4		WK020001-	M6X25
53		Y129927 77900	* Relay, Glow	1		WK020001-	YANMAR
54		Y129927 77920	* Relay, Starter	1		WK020001-	YANMAR
55		Y198461 52950	* Relay	1		WK020001-	YANMAR
56		0760 710 12	* Ring, O	1		WK020001-	P11-90B
57		0858 501 16	* Switch, Oil Pressure	1		WK020001-	
58		Y1A6382 51510	* Resistor	1		WK020001-	YANMAR



80V4-090200-1

KEY No.	SUP.	PART No.	DESCRIPTION	Q'TY	CHAN.	SERIAL No.	REMARKS
0	×	F361 706 00	Panel Ass'y, Instrument	1		WK020001-	
0-1	×	F361 791 00	Panel Ass'y, Instrument	1		WK020001-	
1		0881 509 UA	* Monitor, OK	1		WK020001-	
2		D465 380 00	* Panel	1		WK020001-	
3		D465 381 00	* Panel	1		WK020001-	
4		D419 580 00	* Bracket	1		WK020001-	
5		0517 081 15	* Bolt, Treatment (W/L.W, F.W)	2		WK020001-	M8X115
6		0517 060 20	* Bolt, Treatment (W/L.W, F.W)	4		WK020001-	M6X20
7		4004 364 01	* Bolt, Button Head	7		WK020001-	M6X18
8		0454 400 20	* Screw, Tapping	4		WK020001-	M4X20
9		0593 040 00	* Washer, Flat	4		WK020001-	M4
10		0594 060 00	* Washer, Flat	7		WK020001-	M6
11		0596 060 00	* Washer, Lock	7		WK020001-	M6
12		0518 100 25	* Bolt, Treatment (W/L.W, F.W)	4		WK020001-	M10X25 P=1.25
13		D419 672 00	* Bracket	1		WK020001-	
14		D465 313 00	* Panel	1		WK020001-	
15		D465 314 00	* Panel	1		WK020001-	
16		0690 203 44	* Cover	1		WK020001-	
17		0858 314 33	* Switch Assy	3		WK020001-	
18		D528 006 00	* Cap	AR		WK020001-	
19		D407 819 00	* Decal (Light)	1		WK020001-	
20		0517 060 16	* Bolt, Treatment (W/L.W, F.W)	2		WK020001-	M6X16
21		0858 314 02	* Switch Assy	1		WK020001-	
22		D408 643 00	* Decal	1		WK020001-	
23		D408 280 00	* Decal	1		WK020001-	
24		D408 447 00	* Decal	1		WK020001-	
25		D528 005 00	* Cap	1		WK020001-	
26		0858 306 03	* Switch Assy Starter (Domestic)	1		WK020001-	
26-1		0858 306 04	* Switch Assy Starter	1		WK020001-	Option 5080
26-2		0690 270 29	** Key	2		WK020001-	#5080
27		4457 535 00	* Cover (Starter Switch)	1		WK020001-	
28		D407 824 00	* Decal (Automatic)	1		WK020001-	
29		0690 211 05	* Throttle, Dial	1		WK020001-	
30		D418 304 00	* Bracket	1		WK020001-	
31		0858 614 05	* Meter, Potention	1		WK020001-	
32		D407 829 00	* Decal (Throttle)	1		WK020001-	
33		0517 060 12	* Bolt, Treatment (W/L.W, F.W)	6		WK020001-	M6X12
34		0820 215 07	* Relay	3		WK020001-	
35		D528 005 00	* Cap	AR		WK020001-	
36		0858 314 33	* Switch Assy	AR		WK020001-	
37		D407 965 00	* Decal	1		WK020001-	
38		0893 509 UA	* Controller Ass'y	1		WK020001-	
39		0517 060 20	* Bolt, Treatment (W/L.W, F.W)	2		WK020001-	M6X20
40		0858 314 35	* Switch Assy	AR		WK020001-	
41		D408 285 00	* Decal	1		WK020001-	
42		D407 963 00	* Decal	1		WK020001-	
43		D407 964 00	* Decal	1		WK020001-	
44		D592 206 00	* Harness	1		WK020001-	
45		0857 011 57	* Buzzer	1		WK020001-	
46		D407 966 00	* Decal	1		WK020001-	
47		D407 967 00	* Decal	1		WK020001-	
48		D407 968 00	* Decal	1		WK020001-	

KEY No.	SUP.	PART No.	DESCRIPTION	Q'TY	CHAN.	SERIAL No.	REMARKS
49		0820 067 09	* Band, Cable	6		WK020001-	



80V4-090300-1

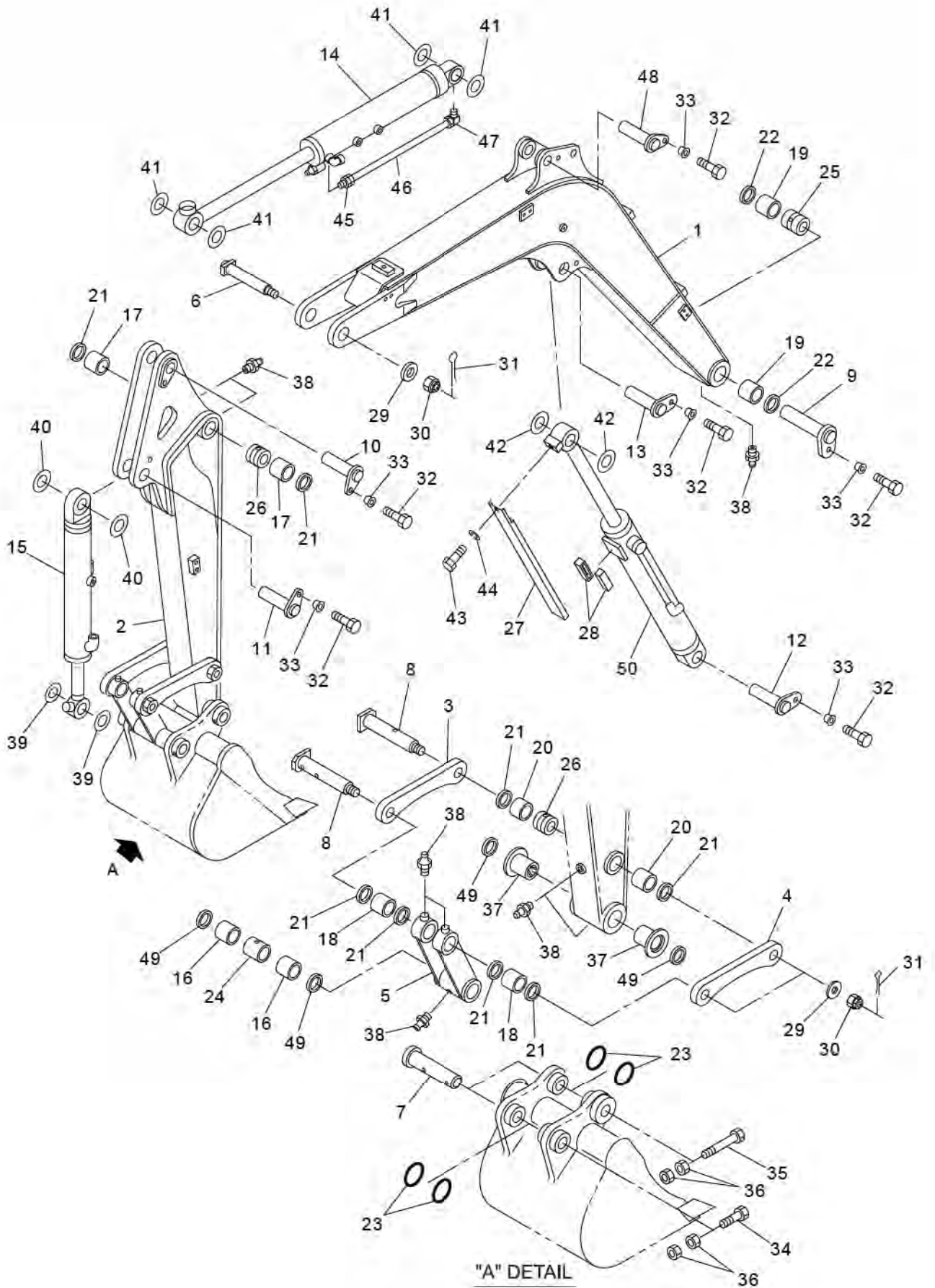
KATO HICOM

CAR HEATER ASS'Y

MODEL HD85V4

SHEET No 9-3

KEY No.	SUP.	PART No.	DESCRIPTION	Q'TY	CHAN.	SERIAL No.	REMARKS
0	×	F355 418 00	Heater Ass'y, Car	1		WK020001-	
1		0857 056 03	* Heater, Car	1		WK020001-	
2		D419 472 00	* Bracket	1		WK020001-	
3		D458 149 00	* Cover	1		WK020001-	
4		D465 358 00	* Panel	1		WK020001-	
5		0820 023 16	* Duct	2		WK020001-	
6		4070 102 11	* Hose, Water	M		WK020001-	L=2700X2
7		D419 787 00	* Bracket	1		WK020001-	
8		0729 910 35	* Valve	1		WK020001-	
9		0690 083 05	* Clamp, Hose	4		WK020001-	
10		0518 100 20	* Bolt, Treatment (W/L.W, F.W)	9		WK020001-	M10X20 P=1.25
11		0517 060 16	* Bolt, Treatment (W/L.W, F.W)	6		WK020001-	M6X16
12		4550 726 00	* Seal	M		WK020001-	L=400
13		D493 439 01	* Panel, Sponge	1		WK020001-	
14		0820 067 05	* Band, Cable	5		WK020001-	
15		0593 080 00	* Washer, Flat	4		WK020001-	M8
16		0820 803 06	* Tube, Corrugate	M		WK020001-	L=2600X2
17		4072 220 00	* Nipple	1		WK020001-	
18		D493 626 00	* Panel, Sponge	2		WK020001-	
19		D493 732 00	* Panel, Sponge	1		WK020001-	
20		D592 309 00	* Harness	1		WK020001-	
21		D460 028 00	* Cover	1		WK020001-	
22		0517 080 20	* Bolt, Treatment (W/L.W, F.W)	4		WK020001-	M8X20
23		D407 820 00	* Decal	1		WK020001-	
24		0858 314 34	* Switch, Heater	1		WK020001-	
25		0830 406 02	* Socket	1		WK020001-	



80V4-110100-1

KATO HICOM

HOE ATTACHMENT ASS'Y

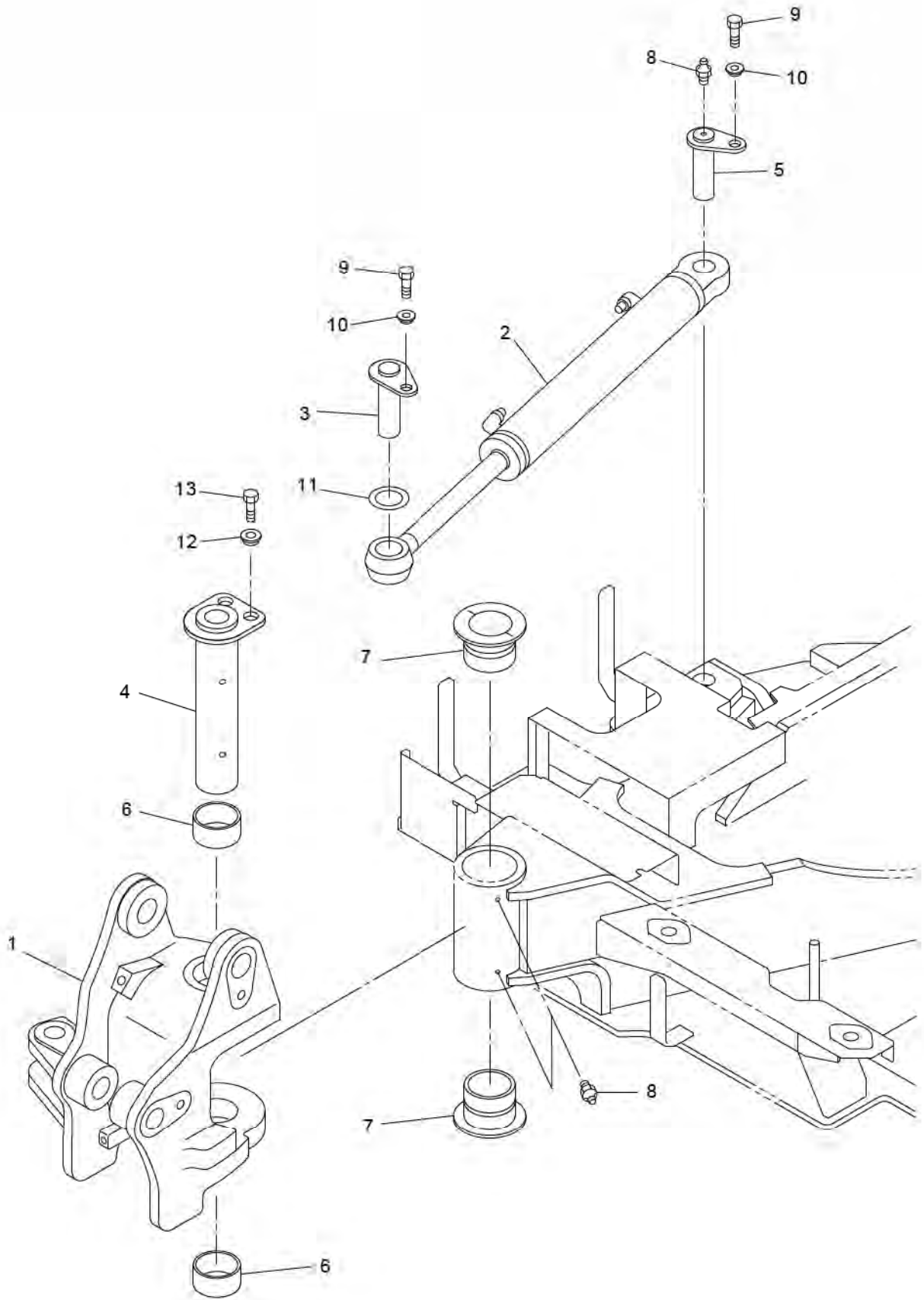
MODEL HD85V4

SHEET No 11-1

KEY No.	SUP.	PART No.	DESCRIPTION	Q'TY	CHAN.	SERIAL No.	REMARKS
0	×	F388 426 00	Attachment Ass'y, Hoe	1		WK020001-	
0-1	×	F388 428 00	Cylinder Ass'y, Boom	1		WK020001-	
1		D210 156 00	* Boom	1		WK020001-	
2		D215 246 00	* Arm Ass'y	1		WK020001-	
2-1		D215 244 00	* Arm Ass'y, Long	1		WK020001-	
3		D490 284 00	* Link, Arm (R.H.)	1		WK020001-	
4		D490 101 00	* Link, Arm (L.H.)	1		WK020001-	
5		D490 057 00	* Link, Bucket	1		WK020001-	
6		D013 461 01	* Pin, Head	1		WK020001-	
7		4013 693 00	* Pin, Head	2		WK020001-	
8		D013 343 00	* Pin, Head	2		WK020001-	
9		D017 268 01	* Pin, Head	1		WK020001-	
10		D017 270 04	* Pin, Head	1		WK020001-	
11		D017 254 02	* Pin, Head	1		WK020001-	
12		D017 269 01	* Pin, Head	1		WK020001-	
13		D017 269 02	* Pin, Head	1		WK020001-	
14	#	0782 648 UA	* Cylinder Ass'y, Arm	1		WK020001-	Sh. No. 5-9
15	#	0782 650 UA	* Cylinder Ass'y, Bucket	1		WK020001-	Sh. No. 5-10
16		4043 229 06	* Bushing	2		WK020001-	
17		4043 105 04	* Bushing	2		WK020001-	
18		4043 105 05	* Bushing	2		WK020001-	
19		D043 031 00	* Bushing	2		WK020001-	
20		4043 229 08	* Bushing	2		WK020001-	
21		0765 033 22	* Seal, Dust	8		WK020001-	
22		0765 033 36	* Seal, Dust	2		WK020001-	
23		4511 501 01	* Ring, O	4		WK020001-	
24		D040 198 00	* Spacer	1		WK020001-	
25		D040 066 00	* Spacer	1		WK020001-	
26		4040 469 17	* Spacer	2		WK020001-	
27		D458 710 00	* Cover	1		WK020001-	
28		D475 052 00	* Guide	2		WK020001-	
29		4006 178 00	* Washer, Flat	3		WK020001-	
30		0587 360 00	* Nut, Castle	3		WK020001-	M36
31		0599 060 70	* Pin, Cotter	3		WK020001-	d=6.0X70
32		0558 160 30	* Bolt, Treatment	6		WK020001-	M16X30 P=1.50
33		D047 058 00	* Bushing	6		WK020001-	
34		0514 121 00	* Bolt, Treatment	1		WK020001-	M12X100 P=1.25
35		0514 121 30	* Bolt, Treatment	1		WK020001-	M12X130 P=1.25
36		0535 120 00	* Nut, Treatment	4		WK020001-	M12 P=1.25
37		D043 126 00	* Bushing	2		WK020001-	
38		0728 111 15	* Nipple, Grease	8		WK020001-	PT1/8
39		4006 052 01	* Shim	AR		WK020001-	d=55, t=0.8
39-1		4006 052 02	* Shim	AR		WK020001-	d=55, t=1.6
40		4006 540 71	* Shim	AR		WK020001-	d=55, t=1.0
40-1		4006 540 72	* Shim	AR		WK020001-	d=55, t=2.0
41		4006 540 86	* Shim	AR		WK020001-	d=60, t=1.0
41-1		4006 540 87	* Shim	AR		WK020001-	d=60, t=2.0
42		4006 540 91	* Shim	AR		WK020001-	d=70, t=1.0
42-1		4006 540 92	* Shim	AR		WK020001-	d=70, t=2.0
43		0555 120 20	* Bolt, Treatment	1		WK020001-	M12X20
44		0590 120 00	* Washer, Lock	1		WK020001-	M12
45		0710 106 27	* Connector	1		WK020001-	

11

KEY No.	SUP.	PART No.	DESCRIPTION	Q'TY	CHAN.	SERIAL No.	REMARKS
45-1		0713 100 02	** Sleeve	1		WK020001-	
46		0779 000 88	* Tube, Synflex	M		WK020001-	L=1100
47		0710 107 27	* Elbow	1		WK020001-	
47-1		0713 100 02	** Sleeve	1		WK020001-	
48		D017 270 01	* Pin, Head	1		WK020001-	
49		0765 033 28	* Seal, Dust	4		WK020001-	
50	#	0782 649 UA	* Cylinder Ass'y, Boom	1		WK020001-	Sh. No. 5-8



11

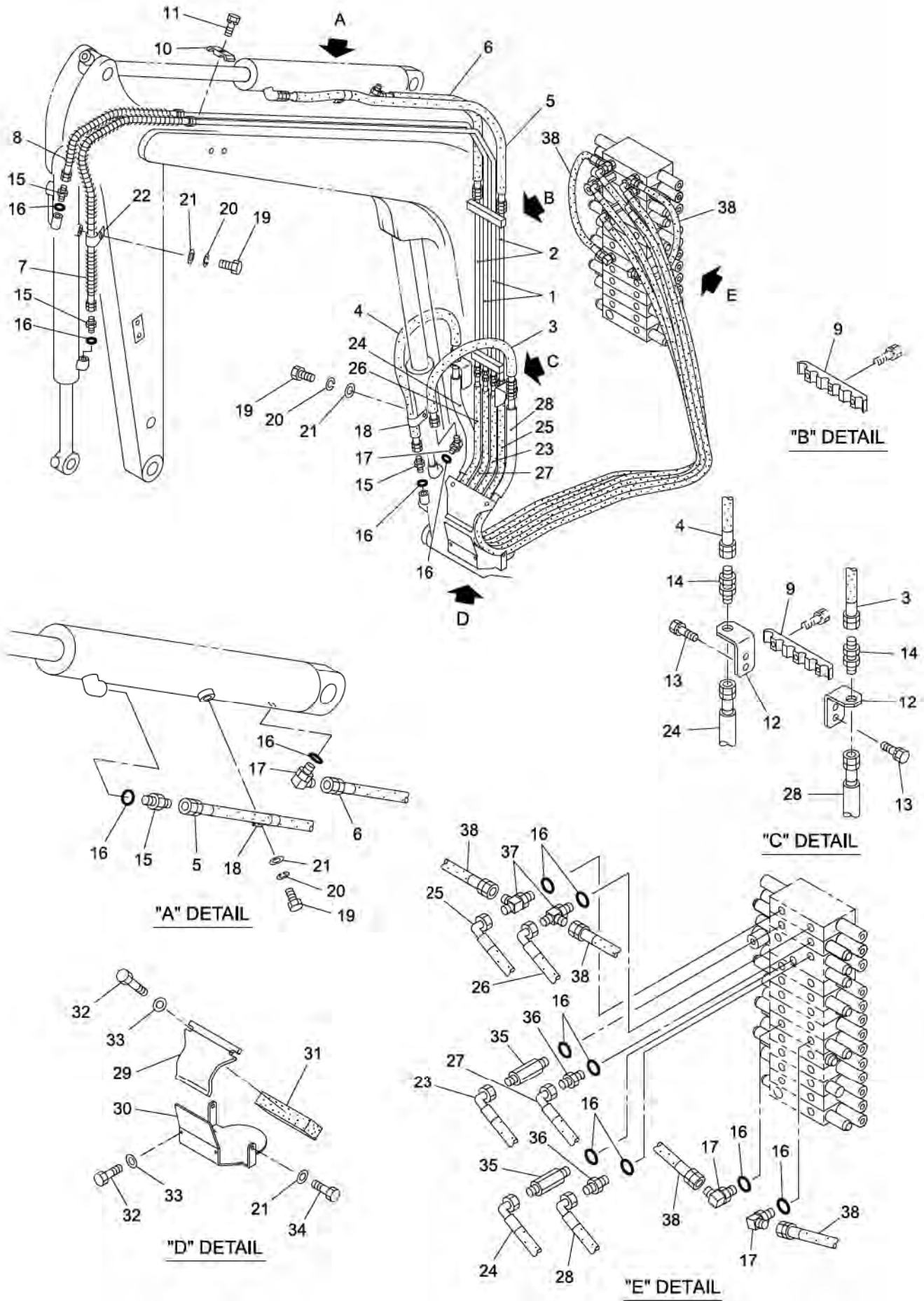
80V4-110200-1

KATO HICOM

BOOM SWING ASS'Y

MODEL HD85V4

SHEET No 11-2



HD80V4-110400-1

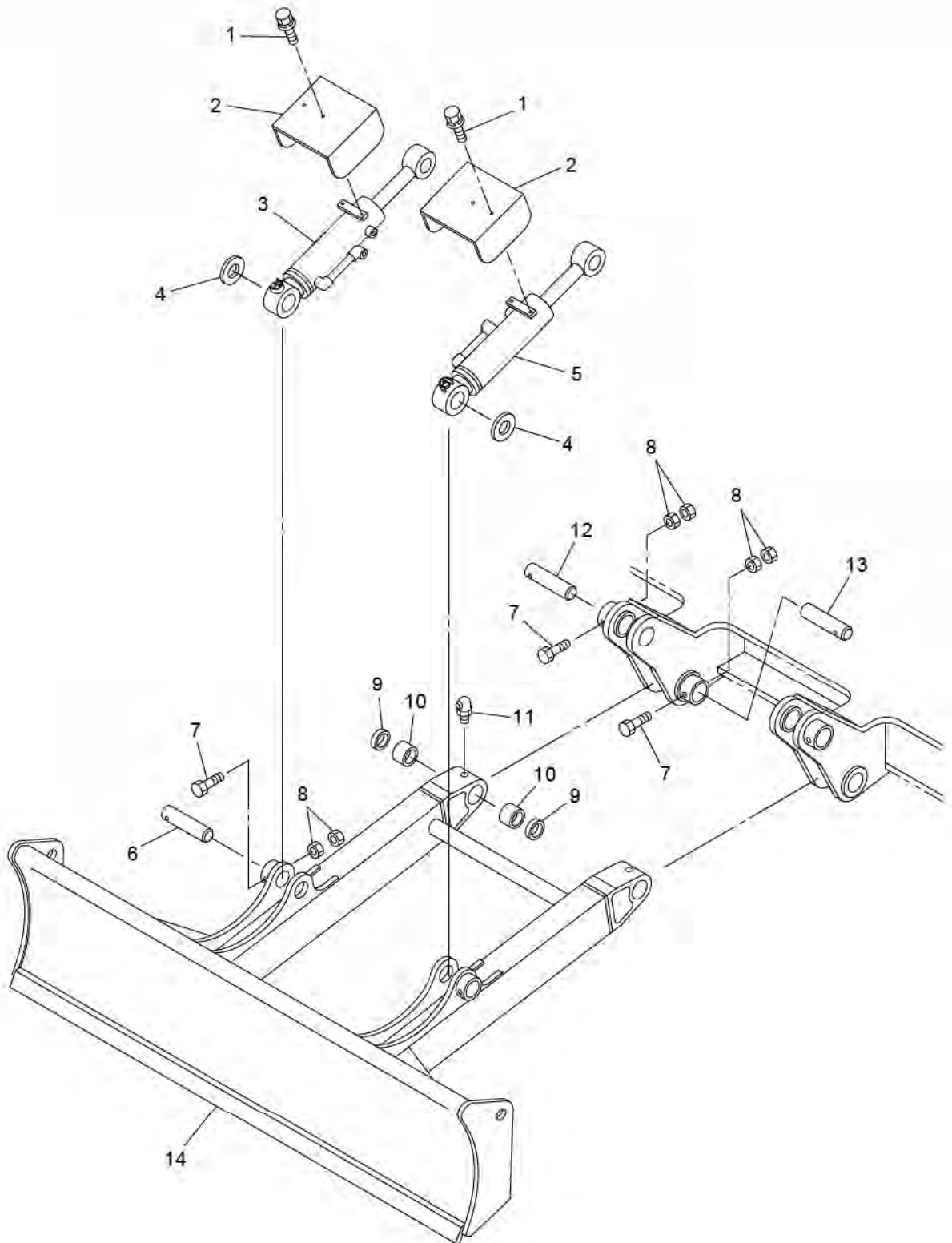
KATO HICOM

HOE ATTACHMENT PIPING ASS'Y

MODEL HD85V4

SHEET No 11-4

KEY No.	SUP.	PART No.	DESCRIPTION	Q'TY	CHAN.	SERIAL No.	REMARKS
0	×	F342 894 00	Piping Ass'y, Hoe Attachment	1		WK020001-	
0-1	×	F342 900 00	Piping Ass'y, Hoe Attachment	1		WK020001-	
1		D285 315 00	* Tube	2		WK020001-	
2		D286 483 00	* Tube	2		WK020117-	L=1085
3		D070 388 26	* Hose Ass'y	1		WK020001-	L=1070
4		D070 388 05	* Hose Ass'y	1		WK020001-	L=1400
5		D070 693 02	* Hose Ass'y	1		WK020117-	L=1580
6		D070 693 03	* Hose Ass'y	1		WK020117-	L=600
7		D070 022 17	* Hose Ass'y	1		WK020001-	L=1560
7-1		D070 022 19	* Hose Ass'y (For Long Arm)	1		WK020001-	L=1870
8		D070 022 18	* Hose Ass'y	1		WK020001-	L=1150
8-1		D070 022 20	* Hose Ass'y (For Long Arm)	1		WK020001-	L=1460
9		D081 046 00	* Clamp, Tube	2		WK020001-	
10		D081 044 00	* Clamp, Tube	1		WK020001-	
11		0520 100 40	* Bolt, Treatment (W/L.W)	1		WK020001-	M10X40 P=1.25
12		D418 756 00	* Bracket	2		WK020001-	
13		0520 100 20	* Bolt, Treatment (W/L.W)	4		WK020001-	M10X20 P=1.25
14		D060 451 00	* Connector	2		WK020001-	
15		0713 700 04	* Adapter	4		WK020001-	
16		0760 710 19	* Ring, O	14		WK020001-	P18-90B
17		0710 113 44	* Elbow	4		WK020001-	
18		4080 000 06	* Clamp, Hose	2		WK020001-	
19		0513 100 16	* Bolt, Treatment	3		WK020001-	M10X16
20		0590 100 00	* Washer, Lock	3		WK020001-	M10
21		0593 100 00	* Washer, Flat	5		WK020001-	M10
22		4080 000 05	* Clamp, Hose	1		WK020001-	
23		D070 609 01	* Hose Ass'y	1		WK020001-	L=3250
23-1	☆	4405 319 01	* Decal (CA)	2		WK020001-	4405 319 00
24		D070 609 02	* Hose Ass'y	1		WK020001-	L=3200
24-1	☆	4405 318 01	* Decal (BA)	2		WK020001-	4405 318 00
25		D070 609 03	* Hose Ass'y	1		WK020001-	L=3300
25-1	☆	4405 320 01	* Decal (AA)	2		WK020001-	4405 320 00
26		D070 609 04	* Hose Ass'y	1		WK020001-	L=3150
26-1	☆	4405 320 02	* Decal (AB)	2		WK020001-	4405 320 00
27		D070 609 04	* Hose Ass'y	1		WK020001-	L=3150
27-1	☆	4405 319 02	* Decal (CB)	2		WK020001-	4405 319 00
28		D070 609 05	* Hose Ass'y	1		WK020001-	L=3300
28-1	☆	4405 318 02	* Decal (BB)	2		WK020001-	4405 318 00
29		D458 762 00	* Cover	1		WK020001-	
30		D458 932 00	* Cover	1		WK020001-	
31		D580 202 00	* Pad	1		WK020001-	
32		0513 120 25	* Bolt, Treatment	4		WK020001-	M12X25
33		0593 120 00	* Washer, Flat	4		WK020001-	M12
34		0513 100 25	* Bolt, Treatment	2		WK020001-	M10X25
35		4072 971 00	* Connector	2		WK020001-	PF1/2XPF3/8
36		0713 700 04	* Adapter	2		WK020001-	
37		0710 713 11	* Tee, Special	2		WK020001-	
38		4070 071 01	* Hose Ass'y	2		WK020001-	L=500



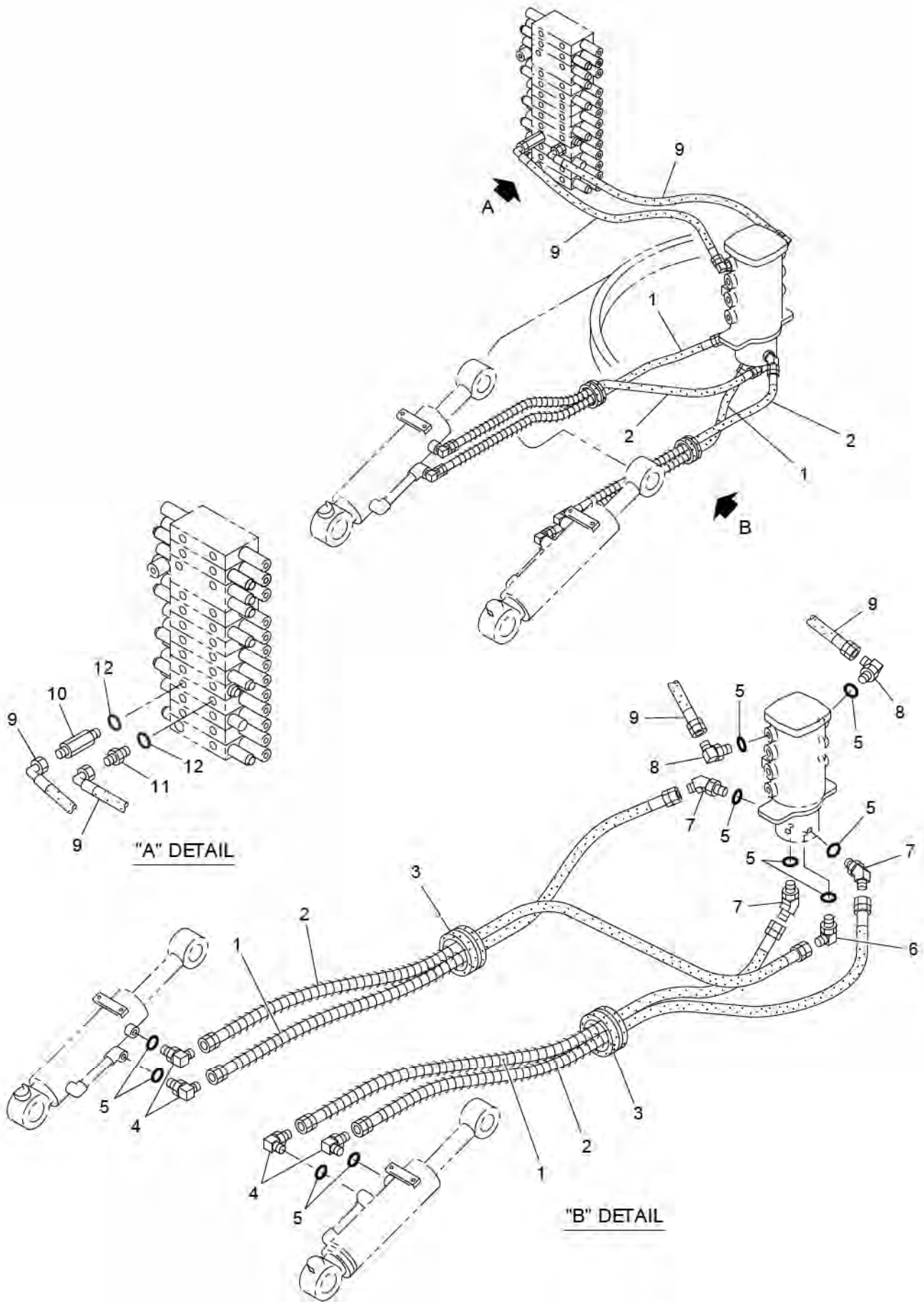
80V4-120100-1

KATO HICOM

BLADE ATTACHMENT ASS'Y

MODEL HD85V4

SHEET No 12-1



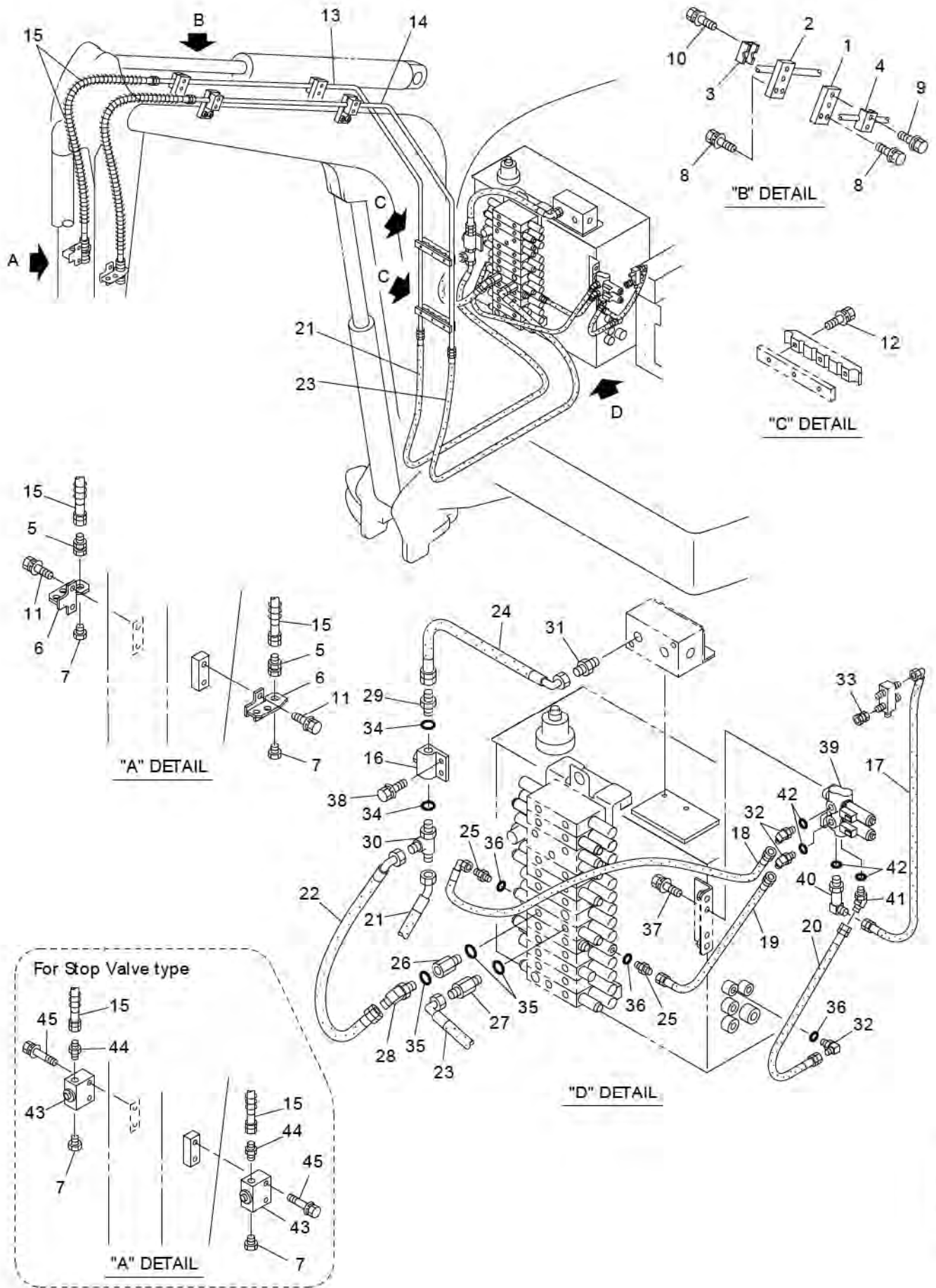
80V4-120200-1

KATO HICOM

BLADE PIPING ASS'Y

MODEL HD85V4

SHEET No 12-2



80V4-150100-1

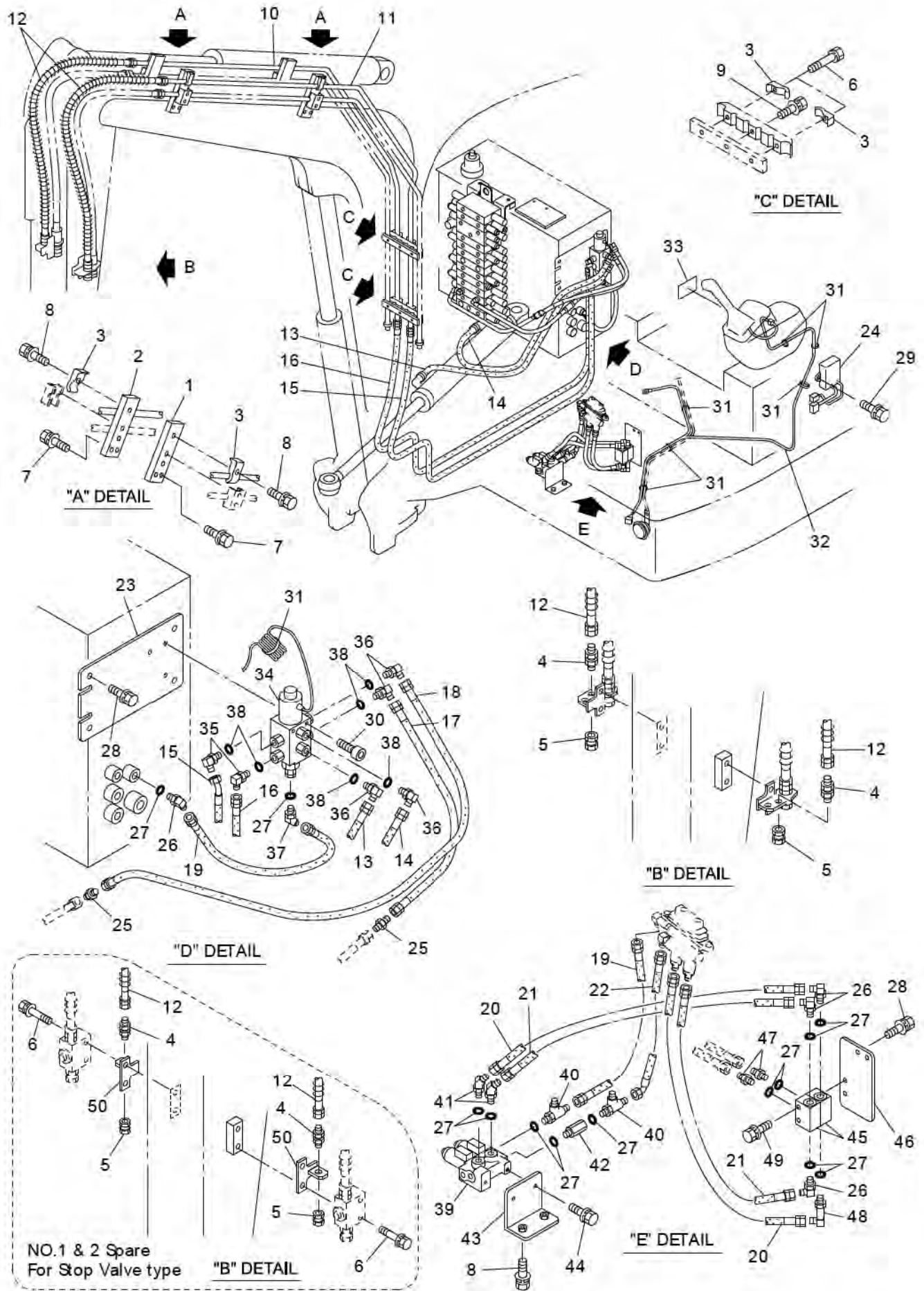
KATO HICOM

FIRST SPARE PIPING ASS'Y

MODEL HD85V4

SHEET No 15-1

KEY No.	SUP.	PART No.	DESCRIPTION	Q'TY	CHAN.	SERIAL No.	REMARKS
0	×	F342 903 00	Piping Ass'y, First Spare	1		WK020001-	
1		D082 111 00	* Seat, Clamp	2		WK020001-	
2		D082 110 00	* Seat, Clamp	2		WK020001-	
3		D081 195 00	* Clamp, Tube	2		WK020001-	
4		D081 023 00	* Clamp, Tube	2		WK020001-	
5		0712 325 06	* Adapter	2		WK020001-	
6		D420 040 00	* Bracket	2		WK020001-	
7		0710 200 02	* Plug	2		WK020001-	
8		0518 100 25	* Bolt, Treatment (W/L.W, F.W)	8		WK020001-	M10X25 P=1.25
9		0518 100 45	* Bolt, Treatment (W/L.W, F.W)	4		WK020001-	M10X45 P=1.25
10		0518 100 55	* Bolt, Treatment (W/L.W, F.W)	4		WK020001-	M10X55 P=1.25
11		0518 100 20	* Bolt, Treatment (W/L.W, F.W)	4		WK020001-	M10X20 P=1.25
12		0518 100 50	* Bolt, Treatment (W/L.W, F.W)	6		WK020001-	M10X50 P=1.25
13		D286 392 00	* Tube (R.H.)	1		WK020001-	
14		D286 393 00	* Tube (L.H.)	1		WK020001-	
15		4070 183 05	* Hose Ass'y	2		WK020001-	L=1140
16		0725 004 UA	* Valve, Stop	1		WK020001-	
17		4070 551 26	* Hose Ass'y	1		WK020001-	L=400
18		4070 551 54	* Hose Ass'y	1		WK020001-	L=1050
18-1	☆	D407 125 02	* Decal (Y2)	2		WK020001-	D407 125 00
19		4070 548 55	* Hose Ass'y	1		WK020001-	L=350
19-1	☆	D407 125 01	* Decal (Y1)	2		WK020001-	D407 125 00
20		4070 548 55	* Hose Ass'y	1		WK020001-	L=350
21		D070 634 01	* Hose Ass'y	1		WK020001-	L=3500
22		4070 496 13	* Hose Ass'y	1		WK020001-	L=800
23		D070 609 06	* Hose Ass'y	1		WK020001-	L=3050
24		D070 375 08	* Hose Ass'y	1		WK020001-	L=650
25		0713 700 02	* Adapter	2		WK020001-	
26		D060 555 00	* Connector	1		WK020001-	
27		4072 971 00	* Connector	1		WK020001-	
28		0710 114 44	* Elbow, 45	1		WK020001-	
29		0713 700 73	* Adapter	1		WK020001-	
30		D060 511 00	* Tee	1		WK020001-	
31		0712 310 33	* Adapter	1		WK020001-	
32		0710 122 09	* Elbow	3		WK020001-	
33		0710 303 02	* Plug, Swivel	1		WK020001-	
34		0760 710 24	* Ring, O	2		WK020001-	P22.4-90B
35		0760 710 19	* Ring, O	3		WK020001-	P18-90B
36		0760 710 12	* Ring, O	3		WK020001-	P11-90B
37		0517 080 20	* Bolt, Treatment (W/L.W, F.W)	2		WK020001-	M8X20
38		0518 100 25	* Bolt, Treatment (W/L.W, F.W)	2		WK020001-	M10X25 P=1.25
39		0785 169 UA	* Valve Ass'y, Solenoid	1		WK020001-	
40		D060 028 00	* Elbow	1		WK020001-	
41		0710 121 00	* Elbow, 45	1		WK020001-	
42		0760 710 12	* Ring, O	4		WK020001-	P11-90B
43		0754 805 UA	* Cook	2		WK020001-	
44		0712 310 33	* Adapter	2		WK020001-	
45		0520 100 65	* Bolt, Treatment (W/L.W)	2		WK020001-	M10X65 P=1.25



80V4- 150200- 1

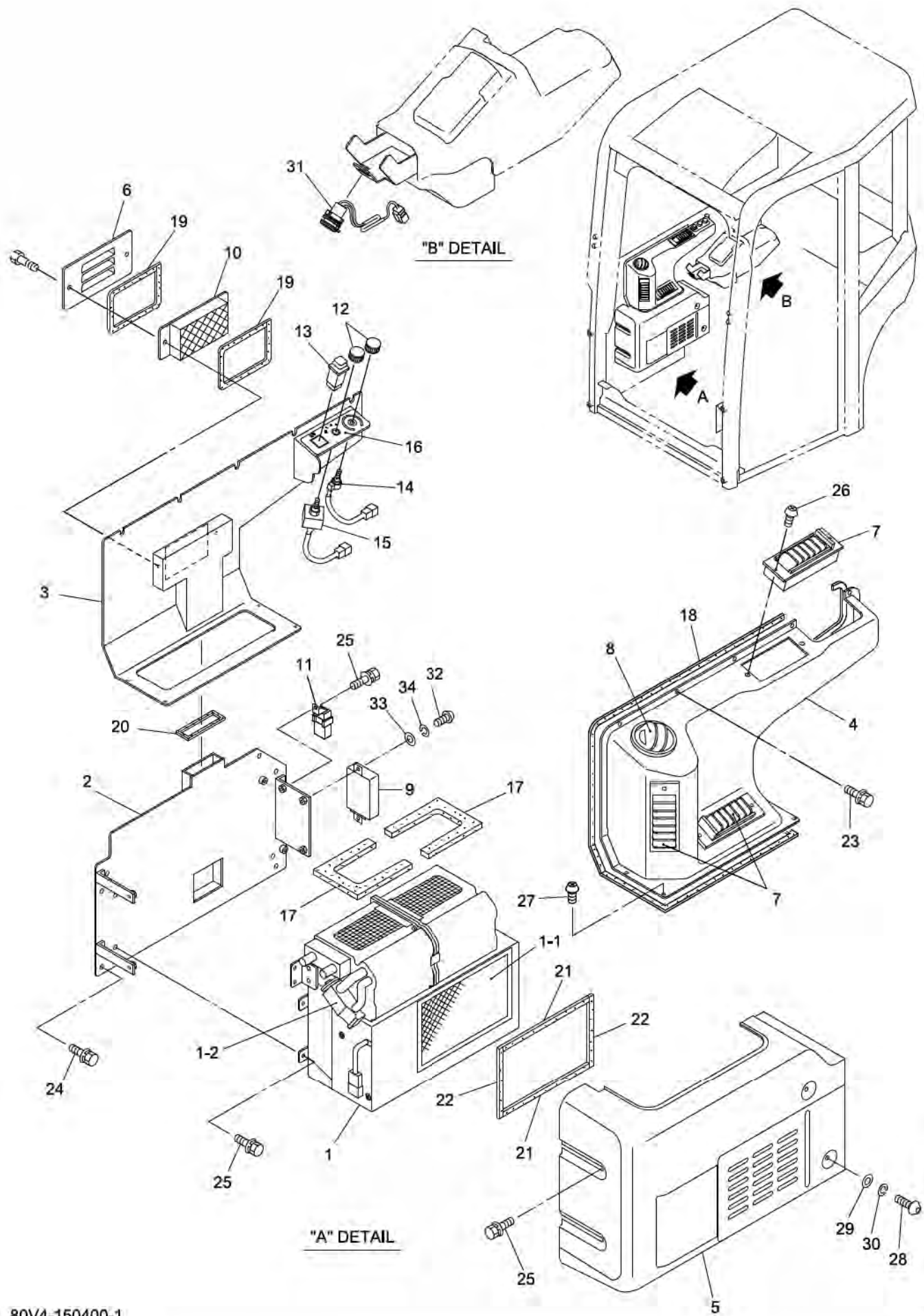
KATO HICOM

SECOND SPARE PIPING ASS'Y

MODEL HD85V4

SHEET No 15-2

KEY No.	SUP.	PART No.	DESCRIPTION	Q'TY	CHAN.	SERIAL No.	REMARKS
0	×	F342 903 00	Piping Ass'y, Second Spare	1		WK020001-	
1		D082 109 00	* Seat, Clamp	2		WK020001-	
2		D082 108 00	* Seat, Clamp	2		WK020001-	
3		4081 118 00	* Clamp, Tube	8		WK020001-	
4		0712 325 02	* Adapter	2		WK020001-	
5		0710 202 02	* Plug	2		WK020001-	
6		0520 100 70	* Bolt, Treatment (W/L.W)	4		WK020001-	M10X70 P=1.25
7		0518 100 25	* Bolt, Treatment (W/L.W, F.W)	8		WK020001-	M10X25 P=1.25
8		0518 100 40	* Bolt, Treatment (W/L.W, F.W)	6		WK020001-	M10X40 P=1.25
9		0518 100 50	* Bolt, Treatment (W/L.W, F.W)	2		WK020001-	M10X50 P=1.25
10		D286 394 00	* Tube (R.H.)	1		WK020001-	
11		D286 395 00	* Tube (L.H.)	1		WK020001-	
12		D070 642 01	* Hose Ass'y	2		WK020001-	L=1250
13		4070 001 36	* Hose Ass'y	1		WK020001-	L=1300
14		4070 001 36	* Hose Ass'y	1		WK020001-	L=1300
15		D070 614 01	* Hose Ass'y	1		WK020001-	L=3200
15-1	☆	4405 310 03	* Decal (L2)	2		WK020001-	4405 310 00
16		D070 613 01	* Hose Ass'y	1		WK020001-	L=3150
16-1	☆	4405 308 03	* Decal (R2)	2		WK020001-	4405 308 00
17		4070 001 18	* Hose Ass'y	1		WK020001-	L=400
18		4070 001 09	* Hose Ass'y	1		WK020001-	L=900
19		4070 548 28	* Hose Ass'y	2		WK020001-	L=400
20		4070 548 08	* Hose Ass'y	2		WK020001-	L=300
21		4070 548 10	* Hose Ass'y	2		WK020001-	L=250
22		4070 551 14	* Hose Ass'y	1		WK020001-	L=250
23		D419 769 00	* Bracket	1		WK020001-	
24		0893 509 UA	* Controller Ass'y	1		WK020001-	
25		0712 326 02	* Adapter	2		WK020001-	
26		0710 122 09	* Elbow	4		WK020001-	
27		0760 710 12	* Ring, O	13		WK020001-	P11-90B
28		0518 100 20	* Bolt, Treatment (W/L.W, F.W)	6		WK020001-	M10X20 P=1.25
29		0517 060 25	* Bolt, Treatment (W/L.W, F.W)	2		WK020001-	M6X25
30		0562 060 35	* Bolt, Socket Head	3		WK020001-	M6X35
31		0820 067 09	* Band, Cable	9		WK020001-	
32		D592 540 00	* Harness	1		WK020001-	
33		D408 778 00	* Decal	1		WK020001-	
34		0786 988 UA	* Valve Ass'y, Solenoid	1		WK020001-	
35		0710 113 32	* Elbow, Reducer	2		WK020001-	PF3/8XPF1/4
36		0710 113 33	* Elbow	4		WK020001-	
37		0710 121 00	* Elbow, 45	1		WK020001-	
38		0760 710 16	* Ring, O	6		WK020001-	P14-90B
39		0785 169 UA	* Valve Ass'y, Solenoid	1		WK020001-	
40		0710 713 09	* Tee	2		WK020001-	
41		0710 114 22	* Elbow, 45	2		WK020001-	
42		D060 403 00	* Adapter	1		WK020001-	
43		D419 770 00	* Bracket	1		WK020001-	
44		0517 080 16	* Bolt, Treatment (W/L.W, F.W)	2		WK020001-	M8X16
45		0786 804 UA	* Valve Ass'y, Shuttle	2		WK020001-	
46		D419 771 00	* Bracket	1		WK020001-	
47		0713 700 70	* Adapter	2		WK020001-	
48		0710 117 02	* Elbow, Long	1		WK020001-	
49		0517 080 80	* Bolt, Treatment (W/L.W, F.W)	2		WK020001-	M8X80



80V4-150400-1

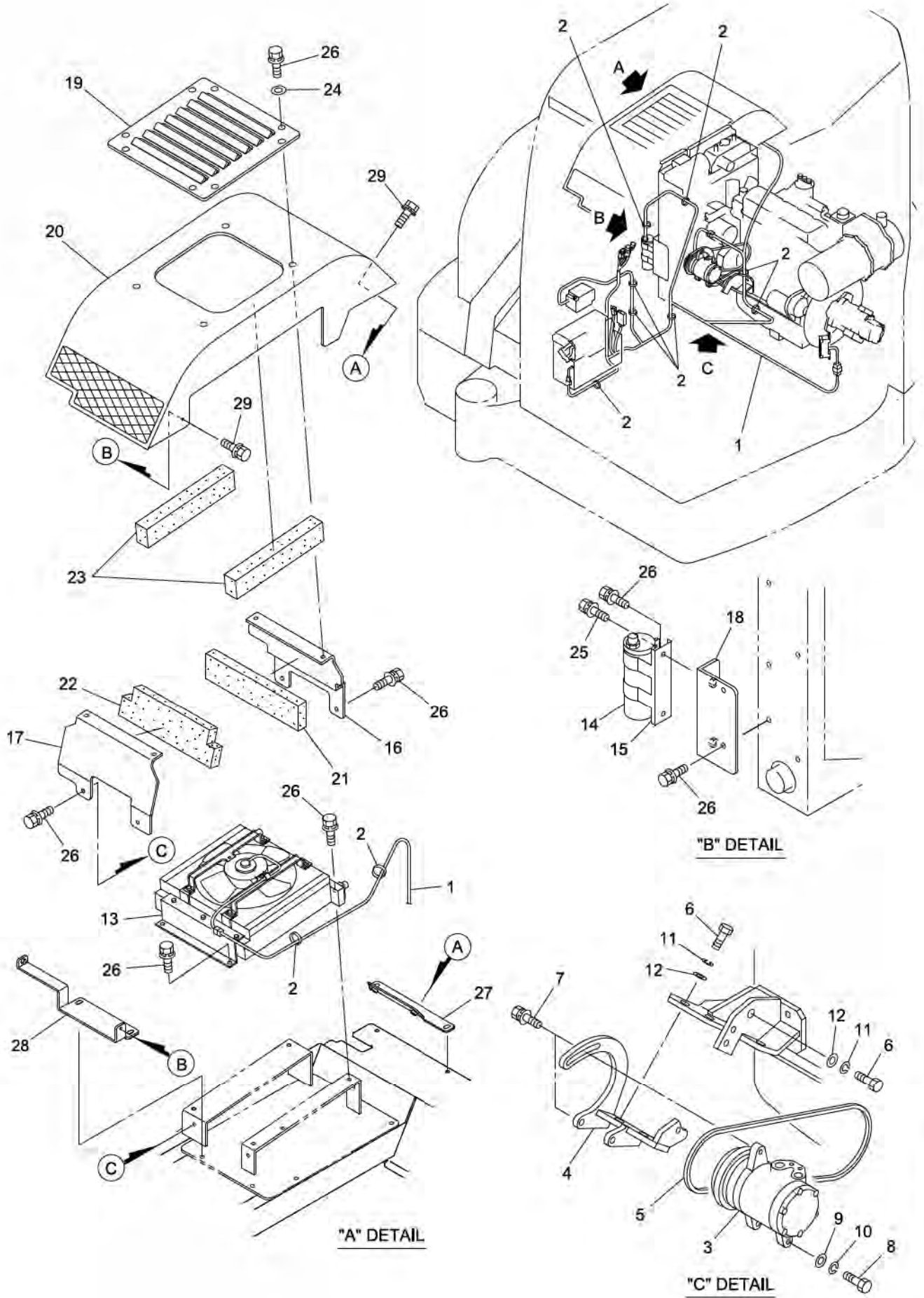
KATO HICOM

AIR CONDITIONER ASS'Y (1)

MODEL HD85V4

SHEET No 15-4

KEY No.	SUP.	PART No.	DESCRIPTION	Q'TY	CHAN.	SERIAL No.	REMARKS
0	×	F385 457 00	Air Conditioner Ass'y (1)	1		WK020001-	
1		0892 270 UA	* Air Conditioner Ass'y	1		WK020001-	
1-1		0892 270 21	** Filter	1		WK020001-	
1-2		0894 000 09	** Valve, Extension	1		WK020001-	
2		D419 359 00	* Bracket	1		WK020001-	
3		D452 207 00	* Bracket	1		WK020001-	
4		D465 382 00	* Duct	1		WK020001-	
5		D465 383 00	* Panel	1		WK020001-	
6		D458 508 00	* Cover	1		WK020001-	
7		0820 023 19	* Louver	3		WK020001-	
8		0820 023 18	* Louver	1		WK020001-	
9		0898 000 02	* Amplifier	1		WK020001-	
10		0745 142 UA	* Filter, Air	1		WK020001-	
11		0820 215 07	* Relay	1		WK020001-	
12		0690 210 86	* Knob (With A/C)	2		WK020001-	
13		0898 000 05	* Switch	1		WK020001-	
14		0898 000 03	* Volume, Thermostat	1		WK020001-	
15		0898 000 04	* Switch Ass'y, Blower	1		WK020001-	
16		D408 205 00	* Decal	1		WK020001-	
17		D493 694 00	* Seal, Sponge	2		WK020001-	
18		D551 009 01	* Seal, Sponge	2		WK020001-	L=1000
19		D551 009 02	* Seal, Sponge	2		WK020001-	L=430
20		D551 009 03	* Seal, Sponge	1		WK020001-	L=230
21		D551 010 01	* Seal, Sponge	2		WK020001-	L=210
22		D551 010 02	* Seal, Sponge	2		WK020001-	L=150
23		0517 060 20	* Bolt, Treatment (W/L.W, F.W)	5		WK020001-	M6X20
24		0518 100 20	* Bolt, Treatment (W/L.W, F.W)	4		WK020001-	M10X20 P=1,25
25		0517 060 16	* Bolt, Treatment (W/L.W, F.W)	9		WK020001-	M6X16
26		0454 300 12	* Screw, Tapping	6		WK020001-	M3X12
27		0454 600 12	* Screw, Tapping	4		WK020001-	M6X12
28		4004 364 01	* Bolt, Button Head	2		WK020001-	M6X18
29		0593 060 00	* Washer, Flat	2		WK020001-	M6
30		0590 060 00	* Washer, Lock	2		WK020001-	M6
31		0830 406 02	* Socket	1		WK020001-	
32		0565 040 12	* Screw, Pan Head	2		WK020001-	M4X12
33		0593 040 00	* Washer, Flat	2		WK020001-	M4
34		0590 040 00	* Washer, Lock	2		WK020001-	M4



80V4-150500-1

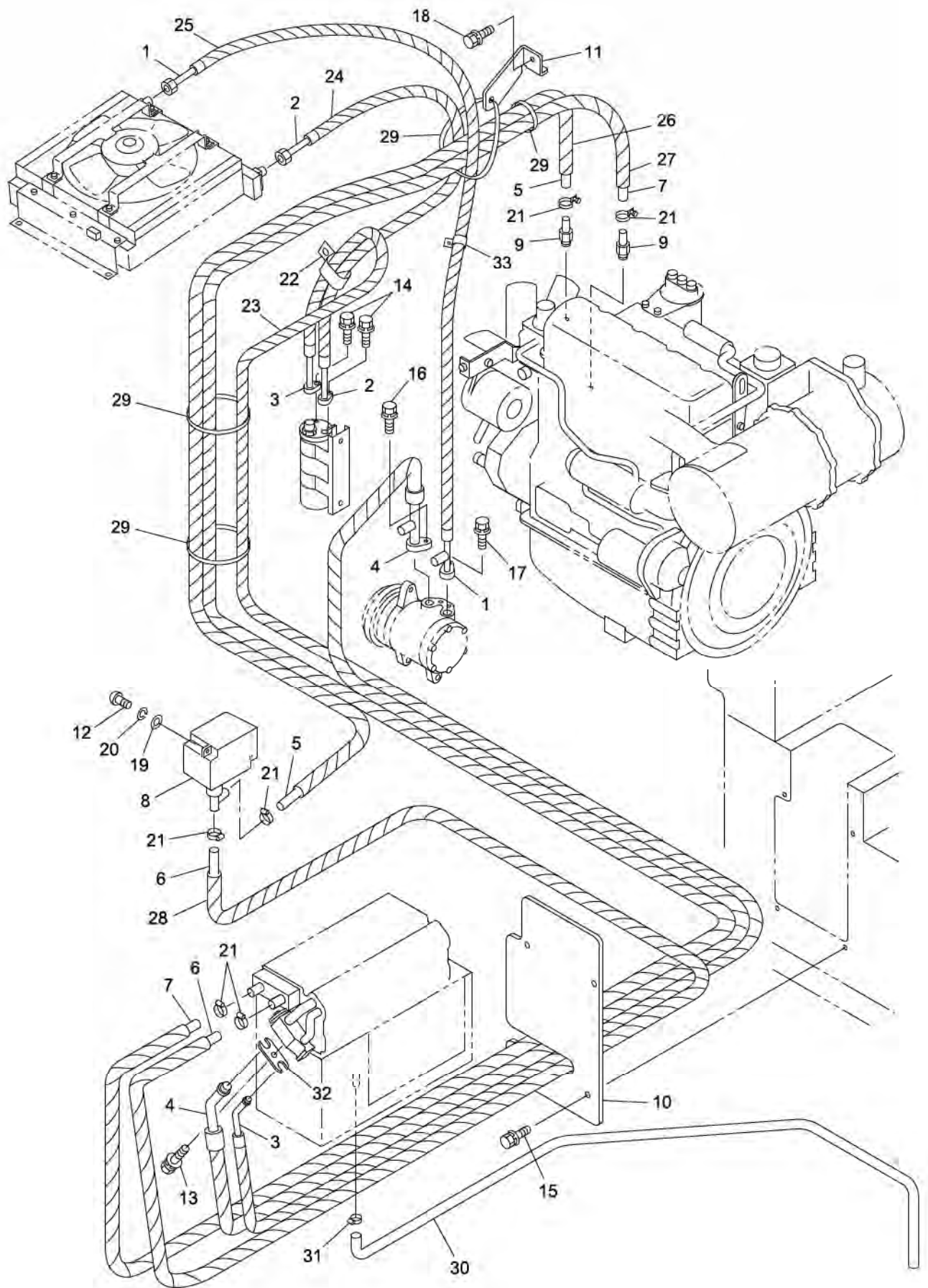
KATO HICOM

AIR CONDITIONER ASS'Y (2)

MODEL HD85V4

SHEET No 15-5

KEY No.	SUP.	PART No.	DESCRIPTION	Q'TY	CHAN.	SERIAL No.	REMARKS
0	×	F385 455 00	Air Conditioner Ass'y (2)	1		WK020001-	
1		D592 535 00	* Harness	1		WK020001-	
2		0820 067 04	* Band, Cable	9		WK020001-	
3		0897 001 UA	* Compressor Ass'y	1		WK020001-	
4		D419 868 00	* Bracket	1		WK020001-	
5		0910 101 29	* Belt	1		WK020001-	
6		0514 100 25	* Bolt, Treatment	3		WK020001-	M10X25 P=1.25
7		0517 080 30	* Bolt, Treatment (W/L.W, F.W)	2		WK020001-	M8X30
8		0513 080 40	* Bolt, Treatment	1		WK020001-	M8X40
9		0593 080 00	* Washer, Flat	1		WK020001-	M8
10		0590 080 00	* Washer, Lock	1		WK020001-	M8
11		0590 100 00	* Washer, Lock	3		WK020001-	M10
12		0595 100 00	* Washer, Treatment	3		WK020001-	M10
13		0897 000 UA	* Condenser	1		WK020001-	
14		0897 002 UA	* Dryer, Recerver	1		WK020001-	
15		0898 000 01	* Bracket	1		WK020001-	
16		D419 784 00	* Bracket	1		WK020001-	
17		D419 785 00	* Bracket	1		WK020001-	
18		D419 814 00	* Bracket	1		WK020001-	
19		D458 830 00	* Cover	1		WK020001-	
20		D458 828 00	* Cover	1		WK020001-	
21		D493 870 00	* Panel, Sponge	1		WK020001-	
22		D493 872 00	* Panel, Sponge	1		WK020001-	
23		D493 871 00	* Panel, Sponge	2		WK020001-	
24		4006 119 01	* Washer	4		WK020001-	M8
25		0517 060 20	* Bolt, Treatment (W/L.W, F.W)	2		WK020001-	M6X20
26		0517 080 20	* Bolt, Treatment (W/L.W, F.W)	16		WK020001-	M8X20
27		D420 246 00	* Bracket	1		WK020081-	
28		D420 247 00	* Bracket	1		WK020081-	
29		0517 080 20	* Bolt, Treatment (W/L.W, F.W)	4		WK020081-	M8X20



80V4-150600-1

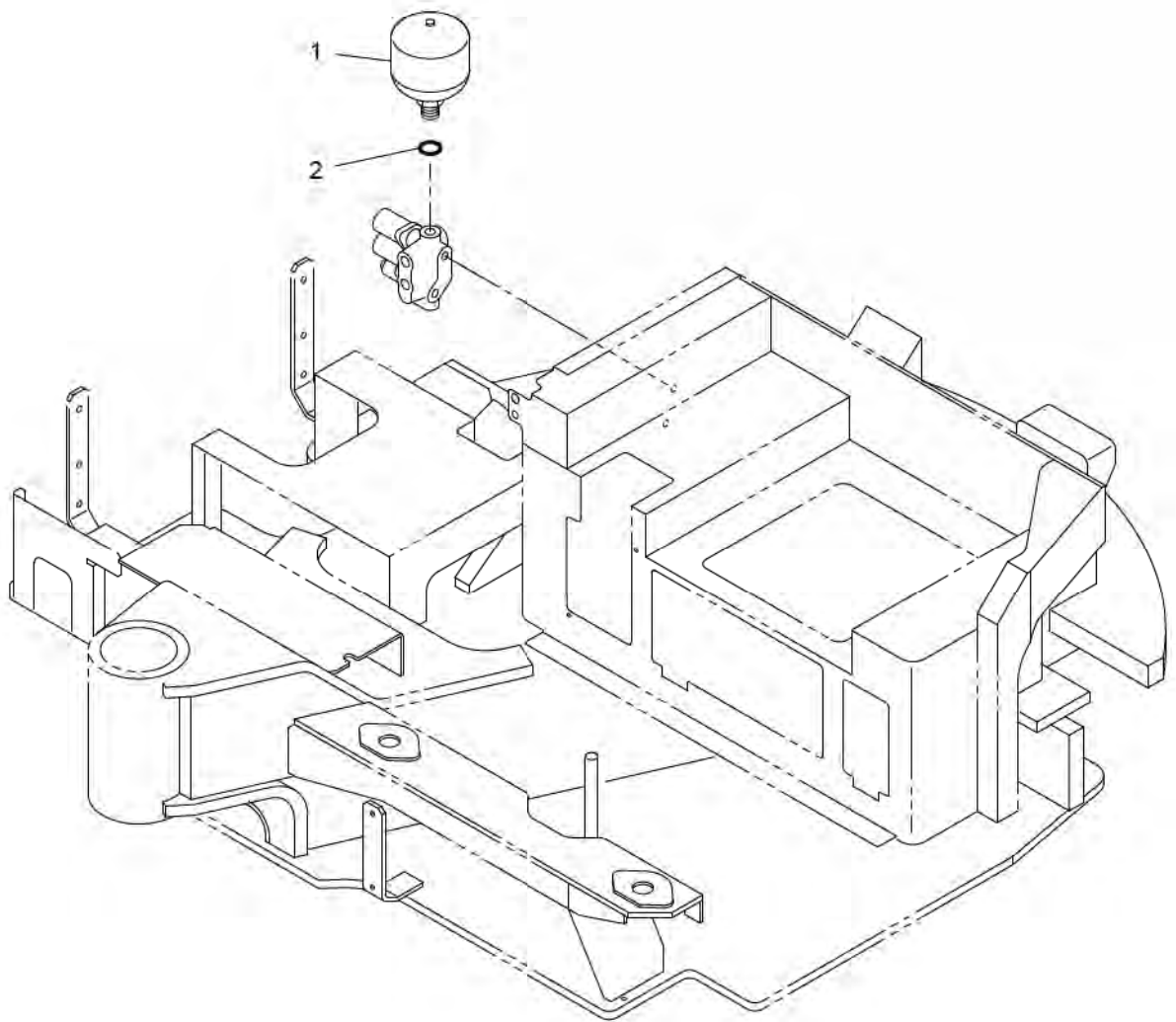
KATO HICOM

AIR CONDITIONER PIPING ASS'Y

MODEL HD85V4

SHEET No 15-6

KEY No.	SUP.	PART No.	DESCRIPTION	Q'TY	CHAN.	SERIAL No.	REMARKS
0	×	F385 458 00	Piping, Ass'y Air Conditioner	1		WK020001-	
1		0898 000 90	* Hose	1		WK020001-	
2		0898 000 82	* Hose	1		WK020001-	
3		0898 000 84	* Hose	1		WK020001-	
4		0898 000 83	* Hose	1		WK020001-	
5		4070 102 25	* Hose, Water	M		WK020001-	L=1350
6		4070 102 44	* Hose, Water	M		WK020001-	L=2000
7		4070 102 16	* Hose, Water	M		WK020001-	L=3000
8		0898 000 00	* Valve, Water	1		WK020001-	
9		4072 220 00	* Nipple	2		WK020001-	
10		D460 021 00	* Cover	1		WK020001-	
11		D419 787 00	* Bracket	1		WK020001-	
12		0565 050 16	* Screw, Pan Head	2		WK020001-	M5X16
13		0517 060 20	* Bolt, Treatment (W/L.W, F.W)	1		WK020001-	M6X20
14		0517 060 25	* Bolt, Treatment (W/L.W, F.W)	2		WK020001-	M6X25
15		0517 080 20	* Bolt, Treatment (W/L.W, F.W)	4		WK020001-	M8X20
16		0517 080 25	* Bolt, Treatment (W/L.W, F.W)	1		WK020001-	M8X25
17		0517 080 35	* Bolt, Treatment (W/L.W, F.W)	1		WK020001-	M8X35
18		0518 100 25	* Bolt, Treatment (W/L.W, F.W)	1		WK020001-	M10X25 P=1.25
19		0593 050 00	* Washer, Flat	2		WK020001-	M5
20		0590 050 00	* Washer, Lock	2		WK020001-	M5
21		0690 083 04	* Clamp, Hose	6		WK020001-	
22		4080 000 29	* Clamp, Hose	1		WK020001-	
23		0820 803 04	* Tube, Corrugate	M		WK020001-	L=2400
24		0820 803 04	* Tube, Corrugate	M		WK020001-	L=1700
25		0820 803 05	* Tube, Corrugate	M		WK020001-	L=1300
26		0820 803 06	* Tube, Corrugate	M		WK020001-	L=1200
27		0820 803 06	* Tube, Corrugate	M		WK020001-	L=2900
28		0820 803 06	* Tube, Corrugate	M		WK020001-	L=1900
29		0820 067 04	* Band, Cable	5		WK020001-	
30		4070 740 04	* Hose, Water	1		WK020001-	L=1500
31		0690 082 07	* Clamp, Hose	1		WK020001-	
32		0892 270 51	* Plate, Flange (With A/C)	1		WK020001-	
33		4080 000 05	* Clamp, Hose	2		WK020001-	

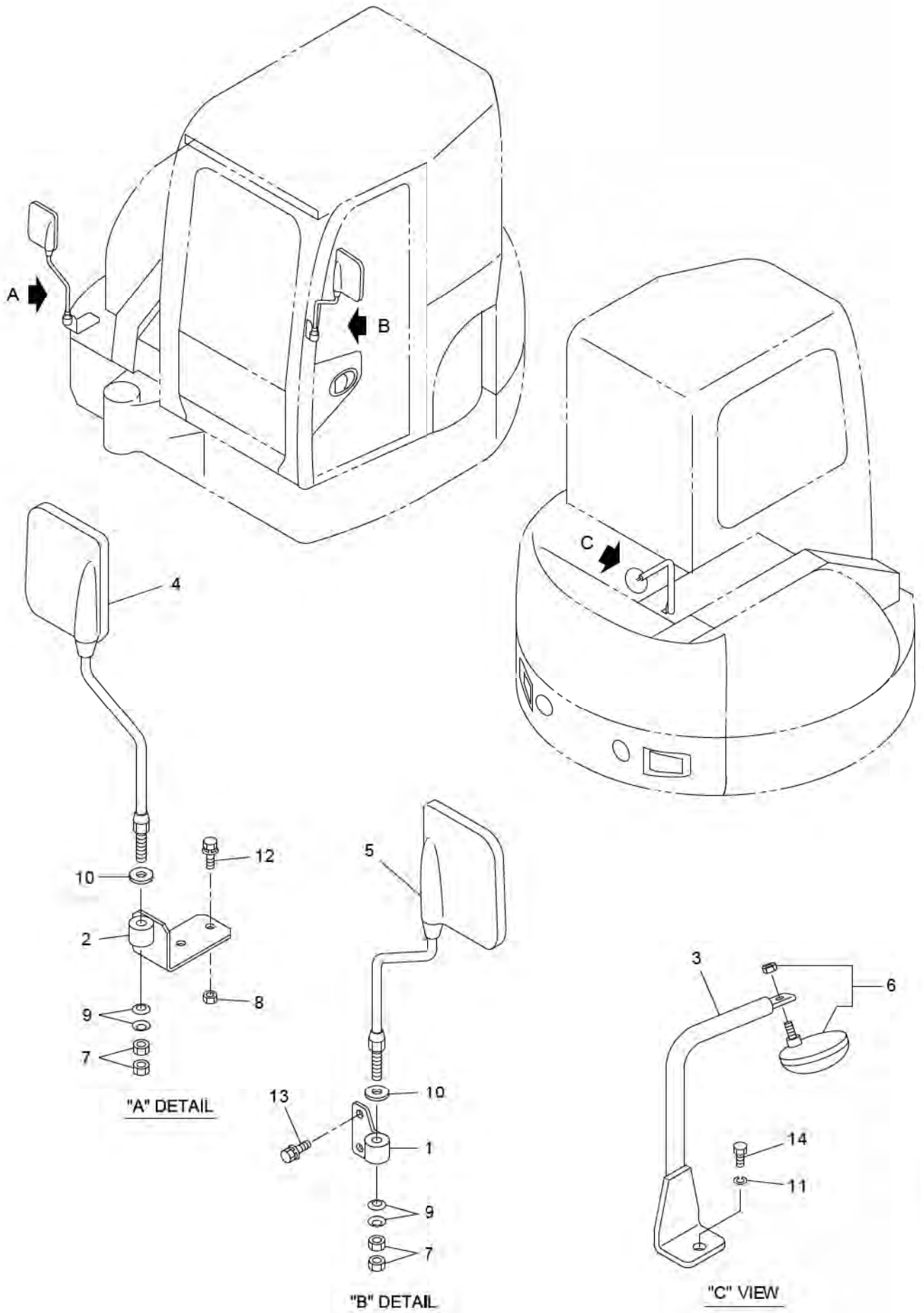


80V4-150700-1

KATO HICOM

MODEL HD85V4

ACCUMULATOR ASS'Y



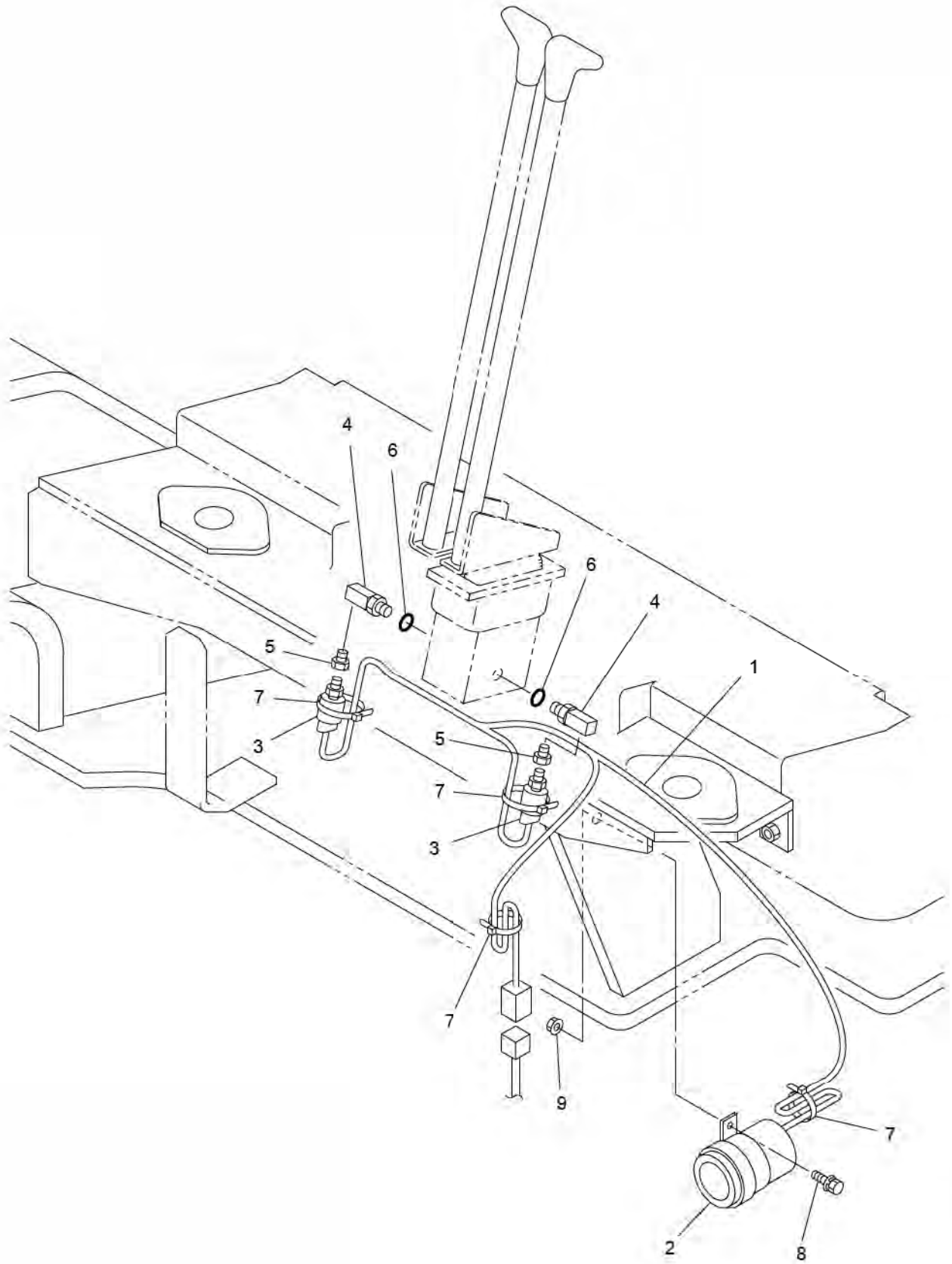
80V4- 150800- 1

KATO HICOM

MIRROR ASS'Y

MODEL HD85V4

SHEET No 15-8



80V4-150900-1

KATO HICOM

TRAVEL ALARM DEVICE

MODEL HD85V4

SHEET No 15-9

部品番号順索引

PARTS INDEX

HD85V4

PARTS No.	Sh No.	KEY No.	PARTS No.	Sh No.	KEY No.	PARTS No.	Sh No.	KEY No.
**** ** *	1-1	2	0494 610 24	5-15	12	0517 060 16	9-3	11
**** ** *	2-1	1	0494 610 24	5-15[A]	12	0517 060 16	15-4	25
**** ** *	5-3	10	0494 651 75	1-4	1	0517 060 16	15-10	11
**** ** *	5-8	1	0494 804 10	5-1	80	0517 060 20	9-1	49
**** ** *	5-9	1	0497 035 00	8-10	3-1	0517 060 20	9-2	39
**** ** *	5-10	1	0497 035 00	8-10[A]	3-2	0517 060 20	15-4	23
**** ** *	5-11	1	0497 035 00	8-10[B]	3-1	0517 060 20	15-5	25
**** ** *	5-12	1	0497 035 00	8-10[C]	3-1	0517 060 20	15-6	13
**** ** *	5-14	20	0497 035 00	8-10[D]	3-1	0517 060 25	4-4	5
0322 108 99	7-2	14	0497 035 00	8-10[E]	3-1	0517 060 25	4-4[A]	5
0439 100 20	15-8	13	0497 035 00	8-10[F]	3-1	0517 060 25	4-4[B]	5
0439 100 20	15-11	6	0497 035 00	8-10[G]	3-1	0517 060 25	9-1	52
0439 100 25	15-11	7	0513 080 20	8-1	17	0517 060 25	15-2	29
0454 300 12	15-4	26	0513 080 40	15-5	8	0517 060 25	15-6	14
0454 400 20	9-2	8	0513 080 90	15-3	23	0517 060 25	15-10	9
0454 600 12	15-4	27	0513 100 16	4-1	46	0517 060 60	4-4[B]	81
0457 140 40	1-1	11	0513 100 16	11-4	19	0517 080 12	1-1	4
0480 100 20	1-1	8	0513 100 20	4-4	68	0517 080 12	9-1	27
0480 100 20	8-1	52	0513 100 20	4-4[A]	71	0517 080 16	6-1	17
0491 800 12	15-8	9	0513 100 20	4-4[B]	69	0517 080 16	6-3	21
0493 500 35	5-2	17	0513 100 20	5-10	29	0517 080 16	7-1	31-3
0493 500 35	7-3	9	0513 100 25	7-1	17	0517 080 16	8-1	14
0493 500 80	5-7	8	0513 100 25	11-4	34	0517 080 16	8-2	38
0493 510 08	6-1	28	0513 100 30	7-3	5	0517 080 16	9-1	4
0493 510 20	6-2	24	0513 100 30	11-3	11	0517 080 16	15-2	44
0493 510 28	5-2	5	0513 100 35	7-1	19	0517 080 20	2-1	15
0493 510 30	1-6	5	0513 120 25	11-4	32	0517 080 20	6-2	25
0493 510 30	5-15[B]	11	0514 100 25	15-5	6	0517 080 20	6-3	20
0493 510 35	5-7	5	0514 101 00	4-1	56	0517 080 20	7-1	71
0493 510 45	5-1	32	0514 120 35	1-7	14	0517 080 20	7-4	26
0493 510 72	5-3	7	0514 120 50	1-3	22-1	0517 080 20	8-1	3
0493 560 07	6-2	14	0514 120 60	1-3	22	0517 080 20	8-2	11
0493 560 09	6-2	22	0514 120 70	7-1	21	0517 080 20	8-8	4
0493 710 55	5-10	17	0514 121 00	11-1	34	0517 080 20	9-1	28
0493 710 62	5-10	18	0514 121 00	12-1	7	0517 080 20	9-3	22
0493 710 62	5-12	24	0514 121 30	11-1	35	0517 080 20	15-1	37
0493 710 72	5-9	25	0517 050 20	7-5	14	0517 080 20	15-3	22
0493 710 76	5-11	16	0517 060 12	7-4	28	0517 080 20	15-5	29
0493 710 82	5-8	17	0517 060 12	7-5	23	0517 080 20	15-6	15
0493 710 82	5-9	22	0517 060 12	9-2	33	0517 080 25	6-1	23
0494 606 12	5-15[B]	12	0517 060 12	15-10	10	0517 080 25	7-2	6
0494 606 25	5-15	11	0517 060 16	5-6	15	0517 080 25	15-6	16
0494 606 25	5-15[A]	11	0517 060 16	6-2	26	0517 080 25	15-8	12
0494 608 10	7-3	10-3	0517 060 16	9-1	29	0517 080 25	15-12	10
0494 608 40	6-2	33	0517 060 16	9-2	20	0517 080 30	8-1	15

部品番号順索引

PARTS INDEX

HD85V4

PARTS No.	Sh No.	KEY No.	PARTS No.	Sh No.	KEY No.	PARTS No.	Sh No.	KEY No.
0517 080 30	15-5	7	0518 100 25	8-2	24	0549 140 00	6-1	18
0517 080 35	8-1	31	0518 100 25	9-2	12	0550 060 60	4-4	63
0517 080 35	15-6	17	0518 100 25	15-1	38	0550 060 60	4-4[A]	66
0517 080 35	15-9	8	0518 100 25	15-2	7	0550 060 60	4-4[B]	64
0517 080 40	8-1	30	0518 100 25	15-3	8	0550 100 20	9-1	21
0517 080 40	9-1	5	0518 100 25	15-6	18	0550 100 20	15-13	31
0517 080 55	4-3	15	0518 100 25	15-12	14	0550 120 25	4-4[A]	49
0517 080 60	4-3	26	0518 100 35	4-1	34	0550 200 30	15-8	14
0517 080 60	8-2	10	0518 100 40	7-1	46	0552 080 20	9-1	2-3
0517 080 60	15-13	35	0518 100 40	8-2	29	0555 080 20	5-1	25
0517 080 80	15-2	49	0518 100 40	15-2	8	0555 100 20	5-1	33
0517 081 00	7-4	27	0518 100 40	15-3	9	0555 100 20	5-6	10
0517 081 15	9-2	5	0518 100 40	15-13	33	0555 100 40	8-4	5
0518 100 16	4-1	36	0518 100 45	15-1	9	0555 120 20	11-1	43
0518 100 16	9-1	24	0518 100 50	15-1	12	0555 120 25	15-12	11
0518 100 20	1-1	7	0518 100 50	15-2	9	0555 120 35	1-1	25
0518 100 20	4-3	14	0518 100 50	15-3	10	0555 120 40	7-3	4
0518 100 20	4-4	75	0518 100 50	15-13	34	0555 160 30	11-2	9
0518 100 20	6-1	16	0518 100 55	15-1	10	0555 160 35	8-4	7
0518 100 20	6-3	11	0518 120 30	5-6	12	0555 160 35	11-2	13
0518 100 20	7-1	59	0518 120 45	7-4	13	0555 160 40	1-1	15
0518 100 20	7-2	18	0519 080 16	8-1	32	0555 160 45	8-2	23
0518 100 20	7-4	25	0519 080 20	6-2	35	0555 160 70	1-1	13
0518 100 20	7-5	13	0519 080 20	8-2	12	0555 200 30	1-1	20
0518 100 20	8-1	4	0520 100 20	11-4	13	0555 201 50	8-9	6
0518 100 20	8-2	3	0520 100 40	11-4	11	0555 240 90	8-9	2
0518 100 20	8-8	3	0520 100 65	15-1	45	0558 160 30	11-1	32
0518 100 20	9-1	23	0520 100 70	15-2	6	0558 160 35	2-1	10
0518 100 20	9-3	10	0520 100 70	15-3	7	0558 160 50	0-0	19
0518 100 20	12-1	1	0521 060 00	9-1	39	0558 160 50	1-7	13
0518 100 20	15-1	11	0521 060 00	15-10	12	0558 160 50	3-1	2
0518 100 20	15-2	28	0521 080 00	6-2	42	0558 160 50	11-3	6
0518 100 20	15-4	24	0521 080 00	9-1	6	0558 160 80	2-1	11
0518 100 20	15-12	13	0521 080 00	15-8	8	0558 160 90	2-1	12
0518 100 20	15-13	32	0521 080 00	15-9	9	0561 080 16	5-8	27
0518 100 25	4-1	35	0524 080 00	7-4	43	0561 080 16	5-9	35
0518 100 25	4-4	48	0535 120 00	7-1	22	0561 080 16	5-10	27
0518 100 25	4-4[A]	48	0535 120 00	11-1	36	0561 080 16	5-12	22
0518 100 25	4-4[B]	49	0535 120 00	12-1	8	0561 080 18	5-11	25
0518 100 25	6-1	21	0544 060 00	9-1	12	0561 100 10	5-15	10
0518 100 25	6-2	1	0545 100 00	4-4	50	0561 100 10	5-15[A]	10
0518 100 25	6-3	16	0545 100 00	4-4[A]	53	0562 050 12	5-17	13
0518 100 25	7-1	9	0545 100 00	4-4[B]	51	0562 050 14	5-15[B]	3
0518 100 25	7-2	7	0548 120 00	6-2	30	0562 050 20	5-17	14
0518 100 25	7-4	44	0548 140 00	6-2	36	0562 060 15	5-2	36

部品番号順索引

PARTS INDEX

HD85V4

PARTS No.	Sh No.	KEY No.	PARTS No.	Sh No.	KEY No.	PARTS No.	Sh No.	KEY No.
0562 060 18	5-4	22	0590 060 00	4-4	65	0593 100 00	11-4	21
0562 060 20	5-2	27	0590 060 00	4-4[A]	68	0593 100 00	15-13	37
0562 060 35	15-2	30	0590 060 00	4-4[B]	66	0593 120 00	4-4[A]	50
0562 060 50	5-4	57	0590 060 00	6-2	10	0593 120 00	7-1	24
0562 060 50	5-13	19	0590 060 00	15-4	30	0593 120 00	11-4	33
0562 080 16	5-14	10	0590 080 00	7-1	74	0593 120 00	15-8	10
0562 080 16	5-15	8	0590 080 00	8-1	22	0594 060 00	6-2	7
0562 080 16	5-15[A]	8	0590 080 00	15-3	24	0594 060 00	9-2	10
0562 080 25	5-2	9	0590 080 00	15-5	10	0595 100 00	4-1	47
0562 080 25	5-3	5	0590 100 00	4-1	57	0595 100 00	7-1	18
0562 080 25	5-15	9	0590 100 00	4-4	92	0595 100 00	7-3	6
0562 080 25	5-15[A]	9	0590 100 00	4-4[A]	93	0595 100 00	8-4	6
0562 100 25	5-2	11	0590 100 00	4-4[B]	95	0595 100 00	15-5	12
0562 100 30	4-1	33	0590 100 00	5-6	13	0595 120 00	1-1	24
0562 120 30	4-1	32	0590 100 00	7-1	61	0595 120 00	1-3	23
0562 120 30	5-1	81	0590 100 00	9-1	22	0595 120 00	1-7	16
0562 120 35	5-7	37	0590 100 00	11-3	12	0595 120 00	7-3	7
0562 140 40	5-7	38	0590 100 00	11-4	20	0595 120 00	15-12	12
0562 140 70	5-7	39	0590 100 00	15-5	11	0595 160 00	0-0	21
0562 160 50	7-3	10-1	0590 100 00	15-13	36	0595 160 00	1-1	16
0562 160 55	7-3	10-2	0590 120 00	4-4[A]	51	0595 160 00	1-7	15
0565 040 08	6-3	22	0590 120 00	7-1	23	0595 160 00	2-1	9
0565 040 10	15-10	4	0590 120 00	11-1	44	0595 160 00	3-1	3
0565 040 12	15-4	32	0590 160 00	1-1	9	0595 160 00	8-2	25
0565 050 10	15-10	7	0590 200 00	15-8	11	0595 160 00	8-4	8
0565 050 12	7-4	12	0593 040 00	9-2	9	0595 160 00	11-3	4
0565 050 16	15-6	12	0593 040 00	15-4	33	0595 200 00	1-1	19
0565 060 25	6-2	6	0593 040 00	15-10	5	0595 200 00	8-4	4
0567 040 08	5-14	5	0593 050 00	15-6	19	0595 200 00	8-9	7
0568 080 12	5-1	31	0593 060 00	4-4	64	0595 240 00	8-9	3
0580 050 00	15-10	8	0593 060 00	4-4[A]	67	0596 060 00	6-2	8
0580 080 00	5-4	61	0593 060 00	4-4[B]	65	0596 060 00	9-2	11
0580 100 00	7-1	8	0593 060 00	6-2	9	0599 010 15	8-1	12
0580 120 00	7-1	28	0593 060 00	8-1	20	0599 060 70	11-1	31
0580 120 00	15-8	7	0593 060 00	15-4	29	0605 408 20	2-1	7
0580 200 00	1-3	11	0593 080 00	6-2	28	0609 016 10	5-13	3
0584 160 00	0-0	20	0593 080 00	8-1	21	0609 024 10	5-1	26
0584 160 00	11-3	3	0593 080 00	9-3	15	0630 620 60	1-6	4
0585 200 00	8-4	3	0593 080 00	15-3	25	0630 620 60	5-1	52
0587 360 00	11-1	30	0593 080 00	15-5	9	0630 630 20	5-2	21
0590 040 00	15-4	34	0593 100 00	4-4	91	0630 630 54	5-2	14
0590 040 00	15-10	6	0593 100 00	4-4[A]	92	0650 207 01	11-3	2
0590 050 00	5-15[B]	2	0593 100 00	4-4[B]	94	0650 207 02	0-0	14
0590 050 00	7-4	14	0593 100 00	5-10	30	0650 207 02	11-3	9
0590 050 00	15-6	20	0593 100 00	7-1	16	0650 207 03	0-0	15

部品番号順索引

PARTS INDEX

HD85V4

PARTS No.	Sh No.	KEY No.	PARTS No.	Sh No.	KEY No.	PARTS No.	Sh No.	KEY No.
0650 207 03	11-3	8	0668 255 91	7-1	31-1	0690 220 91	8-1	19
0650 207 04	0-0	16	0668 255 UA	7-1	31	0690 220 92	8-2	22
0650 207 04	11-3	7	0668 256 UA	7-4	21	0690 270 29	9-2	26-2
0651 498 UA	7-3	10	0668 400 40	7-1	70	0690 283 72	6-1	14
0651 912 01	1-6	1	0676 274 UA	7-1	1	0690 283 81	6-3	18
0651 912 02	1-6	2	0690 016 19	8-1	11	0690 283 82	6-2	41-1
0651 912 03	1-6	3	0690 074 14	7-5	12	0690 283 85	6-2	41
0651 912 06	1-6	6	0690 081 89	9-1	41	0690 283 86	6-2	2
0651 912 07	1-6	7	0690 081 90	7-4	24	0699 901 12	15-8	4
0651 912 08	1-6	8	0690 081 91	7-1	42	0699 901 13	15-8	5
0651 912 UA	1-1	14	0690 081 92	9-1	35	0707 402 00	7-4	39
0651 912 UA	1-6	0	0690 082 03	9-1	44	0707 406 00	7-5	15
0652 253 UA	6-2	20	0690 082 05	9-1	43	0707 410 00	4-1	39
0652 274 UA	8-1	27	0690 082 07	15-6	31	0710 100 29	7-4	41
0653 920 UA	1-1	1	0690 082 08	6-2	40	0710 100 32	4-1	38
0653 924 01	1-2	11	0690 082 08	9-1	46	0710 102 12	4-1	52
0653 924 02	1-2	10	0690 082 08	9-1	46	0710 106 27	11-1	45
0653 924 03	1-2	4	0690 082 08	15-11	8	0710 107 27	11-1	47
0653 924 04	1-2	1	0690 082 10	9-1	36	0710 113 32	4-4	84
0653 924 05	1-2	3	0690 083 04	15-6	21	0710 113 32	4-4[A]	85
0653 924 07	1-2	7	0690 083 05	7-5	19	0710 113 32	4-4[B]	87
0653 924 08	1-2	9	0690 083 05	9-3	9	0710 113 32	15-2	35
0653 924 09	1-2	6	0690 083 07	4-1	31	0710 113 33	4-1	21
0653 924 10	1-2	8	0690 083 09	4-1	30	0710 113 33	12-2	6
0653 924 11	1-2	2	0690 083 10	4-1	29	0710 113 33	15-2	36
0653 924 12	1-2	12	0690 083 10	7-1	10	0710 113 34	12-2	8
0653 924 13	1-2	13	0690 083 12	7-1	29	0710 113 43	4-3	22
0653 924 14	1-2	14	0690 083 12	7-4	7	0710 113 44	4-2	9
0653 924 99	1-2	0-1	0690 083 13	4-1	28	0710 113 44	11-4	17
0653 924 UA	1-1	1-1	0690 083 13	7-2	11	0710 113 46	4-3	21
0653 924 UA	1-2	0	0690 083 14	7-2	12	0710 113 81	4-1	19
0653 946 06	1-2	5	0690 083 14	7-4	6	0710 114 22	15-2	41
0653 984 03	1-5	3	0690 089 36	7-2	10	0710 114 33	4-1	58
0653 984 05	1-5	5	0690 201 05	6-1	22	0710 114 33	12-2	7
0653 984 06	1-5	6	0690 201 06	8-2	43	0710 114 44	4-3	6
0653 993 01	1-5	1	0690 201 09	1-1	5	0710 114 44	15-1	28
0653 993 02	1-5	2	0690 201 11	8-9	9	0710 114 46	1-7	18
0653 993 04	1-5	4	0690 201 13	8-9	5	0710 117 02	15-2	48
0653 993 UA	1-1	12	0690 202 50	6-2	29	0710 117 05	4-4	25
0653 993 UA	1-5	0	0690 203 08	15-8	6	0710 117 05	4-4[A]	25
0655 555 UA	8-8	1	0690 203 15	8-4	1	0710 117 05	4-4[B]	25
0661 800 29	7-2	15	0690 203 44	9-2	16	0710 117 07	4-4	24
0661 800 30	7-1	50	0690 210 86	15-4	12	0710 117 07	4-4[A]	24
0668 255 06	7-1	31-2	0690 211 05	9-2	29	0710 117 07	4-4[B]	24
0668 255 14	7-1	31-4	0690 211 08	8-2	40	0710 119 14	4-1	53

部品番号順索引

PARTS INDEX

HD85V4

PARTS No.	Sh No.	KEY No.	PARTS No.	Sh No.	KEY No.	PARTS No.	Sh No.	KEY No.
0710 120 11	4-1	44	0710 709 02	4-4	8	0713 700 02	4-4[B]	26
0710 121 00	4-4[A]	80	0710 709 02	4-4[A]	8	0713 700 02	6-1	8
0710 121 00	4-4[B]	77	0710 709 02	4-4[B]	8	0713 700 02	6-3	7
0710 121 00	6-3	24	0710 713 04	4-4	31	0713 700 02	15-1	25
0710 121 00	15-1	41	0710 713 04	4-4[A]	31	0713 700 02	15-13	22
0710 121 00	15-2	37	0710 713 04	4-4[B]	31	0713 700 03	1-7	9
0710 122 01	4-3	5	0710 713 04	15-3	31	0713 700 04	4-2	6
0710 122 02	4-4	81	0710 713 09	4-4	3	0713 700 04	4-3	7
0710 122 02	4-4[A]	82	0710 713 09	4-4[A]	3	0713 700 04	11-4	36
0710 122 02	4-4[B]	84	0710 713 09	4-4[B]	3	0713 700 04	12-2	11
0710 122 02	12-2	4	0710 713 09	15-2	40	0713 700 04	15-13	23
0710 122 09	4-4	59	0710 713 09	15-13	20	0713 700 70	1-7	8
0710 122 09	4-4	59	0710 713 10	4-1	22	0713 700 70	4-4	2
0710 122 09	4-4[A]	62	0710 713 10	4-4	82	0713 700 70	4-4[A]	2
0710 122 09	4-4[A]	62	0710 713 10	4-4[A]	83	0713 700 70	4-4[B]	2
0710 122 09	4-4[B]	60	0710 713 10	4-4[B]	85	0713 700 70	15-2	47
0710 122 09	4-4[B]	60	0710 713 10	15-13	21	0713 700 70	15-3	27
0710 122 09	6-1	7	0710 713 11	11-4	37	0713 700 71	4-3	24
0710 122 09	6-3	6	0711 403 03	1-7	22	0713 700 73	15-1	29
0710 122 09	15-1	32	0712 310 31	1-7	23	0713 700 77	4-4	61
0710 122 09	15-2	26	0712 310 31	15-13	24	0713 700 77	4-4[A]	64
0710 122 09	15-3	19	0712 310 33	15-1	44	0713 700 77	4-4[B]	62
0710 122 09	15-13	27	0712 310 40	1-7	20	0713 700 78	4-3	20
0710 200 02	7-4	10	0712 310 40	4-4	79	0713 700 93	4-4	83
0710 200 02	15-1	7	0712 310 41	1-7	19	0713 700 93	4-4[A]	84
0710 200 10	5-3	12	0712 310 50	4-4[B]	80	0713 700 93	4-4[B]	86
0710 200 14	5-3	11	0712 310 53	4-1	55	0713 700 95	1-7	7
0710 201 01	1-4	7	0712 312 50	15-13	25	0719 804 UA	15-9	4
0710 201 01	1-5	9	0712 324 04	4-4	62	0719 805 UA	1-7	21
0710 202 02	15-2	5	0712 324 04	4-4[A]	65	0719 805 UA	4-4	7
0710 202 02	15-3	6	0712 324 04	4-4[B]	63	0719 805 UA	4-4[A]	7
0710 202 03	7-4	42	0712 325 02	4-4	78	0719 805 UA	4-4[B]	7
0710 205 04	7-4	11	0712 325 02	4-4[B]	79	0724 107 08	7-4	38
0710 212 04	5-6	16	0712 325 02	15-2	4	0725 004 UA	15-1	16
0710 212 04	6-1	20	0712 325 02	15-3	5	0728 111 15	2-1	13
0710 303 02	4-4	90	0712 325 06	15-1	5	0728 111 15	5-8	6
0710 303 02	4-4[A]	91	0712 326 01	4-4[B]	44	0728 111 15	5-9	13
0710 303 02	4-4[B]	93	0712 326 02	15-2	25	0728 111 15	5-10	6
0710 303 02	15-1	33	0713 100 02	11-1	47-1	0728 111 15	5-12	6
0710 400 24	15-9	5	0713 440 06	5-3	8	0728 111 15	11-1	38
0710 400 32	4-1	54	0713 440 09	5-3	6	0728 111 15	11-2	8
0710 600 04	1-7	26	0713 454 UA	1-7	17	0728 111 65	5-9	8
0710 601 02	1-7	27	0713 454 UA	5-3	0	0728 111 65	5-11	5
0710 701 02	1-7	25	0713 700 02	4-4	26	0728 111 65	12-1	11
0710 701 03	1-7	24	0713 700 02	4-4[A]	26	0729 910 35	9-3	8

部品番号順索引

PARTS INDEX

HD85V4

PARTS No.	Sh No.	KEY No.	PARTS No.	Sh No.	KEY No.	PARTS No.	Sh No.	KEY No.
0729 910 60	7-4	5	0755 845 09	5-3	14	0756 925 50	5-16	7
0729 910 73	0-0	8	0755 849 05	5-3	2	0757 504 15	5-1	46
0729 910 73	7-4	4	0755 849 91	0-0	22	0757 504 16	5-1	47
0729 910 80	7-4	2	0755 849 91	5-3	0-1	0757 618 20	5-2	13
0729 912 99	7-5	18	0756 065 11	5-14	17-1	0757 675 09	5-1	27
0745 142 UA	15-4	10	0756 065 13	5-14	14	0758 175 08	5-17	5
0745 261 02	0-0	7	0756 094 01	5-15[B]	8	0758 838 12	5-12	9
0745 261 02	7-2	16-1	0756 094 02	5-15[B]	5	0759 106 UA	0-0	2
0745 268 03	0-0	6	0756 094 03	5-15[B]	4	0759 106 UA	5-6	5
0745 268 03	7-2	16-2	0756 094 04	5-15[B]	1	0759 114 UA	5-6	11-2
0745 268 06	7-2	16-3	0756 094 05	5-15[B]	10	0759 116 03	0-0	3
0745 268 UA	7-2	16	0756 094 06	5-15[B]	9	0759 116 03	5-6	11-1
0750 083 23	5-2	33	0756 094 07	5-15[B]	7	0759 116 UA	5-6	11
0750 083 57	5-2	35	0756 094 08	5-15[B]	6	0759 301 UA	15-7	1
0750 198 15	5-13	16	0756 094 UA	4-4[B]	75	0760 211 18	5-15	17
0750 198 15	15-14	23	0756 094 UA	5-15[B]	0	0760 211 18	5-15[A]	17
0751 948 06	5-13	14	0756 303 07	5-5	10	0760 211 51	5-7	7
0752 118 05	5-12	8	0756 326 04	5-14	7	0760 212 59	5-1	29
0752 316 02	5-10	5	0756 326 06	5-14	17	0760 212 65	5-2	8
0753 101 09	5-4	41	0756 326 07	5-14	9	0760 310 20	5-7	46
0753 265 UA	0-0	1	0756 326 08	5-14	6	0760 310 20	5-13	8
0753 265 UA	1-3	5	0756 326 10	5-14	4	0760 310 25	5-13	9
0753 569 38	5-1	66	0756 326 19	5-14	16	0760 312 11	5-6	9
0753 607 60	5-1	70	0756 326 20	5-14	3	0760 312 22	4-1	24
0753 636 19	5-2	12	0756 326 22	5-14	1	0760 312 32	4-1	23
0753 777 09	5-1	42	0756 326 23	5-14	2	0760 319 09	5-10	33
0753 777 14	5-1	51	0756 326 25	5-14	13	0760 319 10	5-4	78
0753 777 39	5-1	30	0756 339 05	5-4	15	0760 610 08	5-14	8
0753 777 90	5-1	2	0756 339 08	5-4	18	0760 610 09	5-4	45
0753 788 02	5-1	68	0756 339 20	5-4	31	0760 610 11	5-4	72
0753 788 02	5-1	68	0756 339 25	5-4	53	0760 610 11	5-4	72
0753 789 12	5-1	78	0756 339 80	5-4	36	0760 610 15	5-4	55
0753 904 11	5-4	32	0756 339 81	5-4	66	0760 610 18	5-17	17
0753 956 21	15-14	12	0756 357 03	5-13	15	0760 615 60	1-6	9
0754 124 13	5-15	20	0756 611 13	5-5	12	0760 615 70	5-4	23
0754 124 13	5-15[A]	20	0756 641 26	5-17	1	0760 617 30	5-1	22
0754 309 10	5-16	2	0756 641 27	5-17	2	0760 710 06	15-14	15
0754 615 03	4-4	58-1	0756 735 09	5-5	2	0760 710 07	5-1	28
0754 615 03	4-4[A]	61-1	0756 735 15	5-5	7	0760 710 07	5-2	32
0754 615 03	4-4[B]	59-1	0756 744 11	5-5	11	0760 710 07	5-4	51
0754 615 UA	4-4	58	0756 781 14	5-15	13	0760 710 07	5-7	35
0754 615 UA	4-4[A]	61	0756 781 14	5-15[A]	13	0760 710 08	5-4	34-1
0754 615 UA	4-4[B]	59	0756 863 09	5-15	16	0760 710 08	5-13	10
0754 805 UA	15-1	43	0756 863 09	5-15[A]	16	0760 710 09	5-2	29
0755 812 19	5-3	4	0756 925 39	5-17	3	0760 710 10	5-17	18

部品番号順索引

PARTS INDEX

HD85V4

PARTS No.	Sh No.	KEY No.	PARTS No.	Sh No.	KEY No.	PARTS No.	Sh No.	KEY No.
0760 710 11	5-1	58	0760 710 19	4-4	27	0760 716 20	5-8	12
0760 710 12	1-7	12	0760 710 19	4-4[A]	27	0760 716 25	5-2	18
0760 710 12	4-4	58-2	0760 710 19	4-4[B]	27	0760 716 25	5-8	14
0760 710 12	4-4	58-2	0760 710 19	5-1	75	0761 721 21	7-3	8
0760 710 12	4-4[A]	61-2	0760 710 19	5-2	30	0762 120 09	5-4	46
0760 710 12	4-4[A]	61-2	0760 710 19	5-4	69	0762 120 11	5-1	59
0760 710 12	4-4[B]	59-2	0760 710 19	5-17	20	0762 120 11	5-4	42
0760 710 12	4-4[B]	59-2	0760 710 19	11-4	16	0762 120 12	5-7	11
0760 710 12	5-1	60	0760 710 19	12-2	12	0762 120 15	5-4	56
0760 710 12	5-2	34	0760 710 19	15-1	35	0762 120 16	5-2	25
0760 710 12	5-6	17	0760 710 19	15-7	2	0762 120 60	1-3	2
0760 710 12	5-7	10	0760 710 19	15-13	28	0763 014 60	1-5	7
0760 710 12	5-13	18	0760 710 20	5-1	61	0763 014 67	1-4	3
0760 710 12	5-16	1	0760 710 20	5-5	3	0765 033 22	11-1	21
0760 710 12	5-17	19	0760 710 20	5-17	21	0765 033 28	11-1	49
0760 710 12	6-1	9	0760 710 22	5-2	24	0765 033 28	12-1	9
0760 710 12	6-3	8	0760 710 22	15-14	3	0765 033 36	11-1	22
0760 710 12	9-1	56	0760 710 23	15-14	20	0775 552 02	0-0	5
0760 710 12	15-1	42	0760 710 24	15-1	34	0775 552 02	7-1	7
0760 710 12	15-2	27	0760 710 25	4-1	45	0775 552 05	0-0	4
0760 710 12	15-3	20	0760 710 25	4-3	12	0775 552 05	7-1	6
0760 710 12	15-9	6	0760 710 25	15-14	9	0776 600 14	4-1	11
0760 710 12	15-13	30	0760 710 28	5-1	74	0776 600 16	4-1	12
0760 710 16	1-7	11	0760 710 28	7-3	3	0779 000 88	11-1	46
0760 710 16	4-1	27	0760 710 30	4-1	25	0779 002 97	7-1	41
0760 710 16	4-3	25	0760 710 30	5-6	8	0779 005 50	7-2	4
0760 710 16	4-4	28	0760 710 60	1-3	3	0779 005 55	7-2	5
0760 710 16	4-4[A]	28	0760 710 80	5-3	3	0779 005 56	7-2	3
0760 710 16	4-4[B]	28	0760 711 30	5-6	7	0780 187 01	5-7	17
0760 710 16	5-1	79	0760 715 35	1-5	8	0780 187 02	5-7	18
0760 710 16	5-1	79	0760 715 35	5-12	19	0780 187 03	5-7	19
0760 710 16	5-2	26	0760 715 40	5-10	25	0780 187 04	5-7	20
0760 710 16	5-3	13	0760 715 45	1-4	4	0780 187 05	5-7	21
0760 710 16	5-4	29-1	0760 715 45	5-11	23	0780 187 06	5-7	22
0760 710 16	5-9	6	0760 715 85	5-10	13	0780 187 07	5-7	23
0760 710 16	5-16	6	0760 715 90	5-10	14	0780 187 08	5-7	24
0760 710 16	12-2	5	0760 715 90	5-12	11	0780 187 09	5-7	25
0760 710 16	15-2	38	0760 715 95	5-12	13	0780 187 10	5-7	26
0760 710 16	15-13	29	0760 716 00	5-3	1	0780 187 11	5-7	27
0760 710 16	15-14	6	0760 716 00	5-9	20	0780 187 12	5-7	28
0760 710 18	15-14	17	0760 716 05	5-7	33	0780 187 13	5-7	29
0760 710 19	1-7	10	0760 716 05	5-9	19	0780 187 14	5-7	30
0760 710 19	4-1	26	0760 716 05	5-11	11	0780 187 15	5-7	31
0760 710 19	4-2	7	0760 716 10	5-11	12	0780 187 16	5-7	32
0760 710 19	4-3	13	0760 716 15	5-2	19	0780 187 17	5-7	34

部品番号順索引

PARTS INDEX

HD85V4

PARTS No.	Sh No.	KEY No.	PARTS No.	Sh No.	KEY No.	PARTS No.	Sh No.	KEY No.
0780 187 18	5-7	36	0781 301 20	5-1	35	0781 397 UA	1-1	17
0780 187 19	5-7	2	0781 301 22	5-1	37	0781 397 UA	5-1	0
0780 187 20	5-7	3	0781 301 26	5-1	41	0782 312 06	5-11	14
0780 187 21	5-7	4	0781 301 28	5-1	43	0782 312 07	5-11	7
0780 187 22	5-7	6	0781 301 29	5-1	45	0782 312 08	5-11	8
0780 187 23	5-7	12	0781 301 30	5-1	48	0782 312 09	5-11	9
0780 187 24	5-7	40	0781 301 31	5-1	49	0782 312 14	5-11	17
0780 187 25	5-7	41	0781 301 32	5-1	50	0782 312 18	5-11	20
0780 187 26	5-7	42	0781 301 33	5-1	53	0782 312 19	5-11	21
0780 187 27	5-7	43	0781 301 34	5-1	54	0782 313 02	5-8	5
0780 187 28	5-7	44	0781 301 35	5-1	56	0782 313 06	5-8	16
0780 187 29	5-7	45	0781 301 36	5-1	69	0782 313 08	5-8	8
0780 187 30	5-7	47	0781 301 37	5-1	72	0782 313 14	5-8	18
0780 187 31	5-7	48	0781 303 02	5-1	62	0782 313 15	5-8	19
0780 187 32	5-7	49	0781 303 92	5-1	57	0782 313 18	5-8	22
0780 187 33	5-7	49-1	0781 336 93	5-2	28	0782 313 19	5-8	23
0780 187 34	5-7	49-2	0781 345 01	5-1	3	0782 313 20	5-8	24
0780 187 91	5-7	1	0781 345 02	5-1	5	0782 313 28	5-8	31
0780 187 92	5-7	9	0781 345 03	5-1	6	0782 315 02	5-12	5
0780 187 93	5-7	13	0781 345 04	5-1	7	0782 315 20	5-12	21
0780 187 94	5-7	14	0781 380 01	5-2	7	0782 315 26	5-12	23
0780 187 95	5-7	15	0781 380 02	5-2	3	0782 316 02	5-10	2
0780 187 96	5-7	16	0781 380 95	5-2	4	0782 316 06	5-10	16
0780 187 UA	5-7	0	0781 380 96	5-2	6	0782 316 08	5-10	8
0780 187 UA	7-3	2	0781 380 98	5-2	16	0782 316 10	5-10	11
0781 144 13	5-1	67	0781 396 91	5-2	10	0782 316 10	5-12	10
0781 144 31	5-1	21	0781 396 92	5-2	1	0782 316 15	5-10	19
0781 149 25	5-1	44	0781 396 93	5-2	2	0782 316 18	5-10	22
0781 149 46	5-1	71	0781 396 94	5-2	20	0782 316 19	5-10	23
0781 149 47	5-1	73	0781 396 95	5-2	15	0782 316 29	5-10	32
0781 149 56	5-1	63	0781 396 UA	3-1	1	0782 317 02	5-9	10
0781 166 91	5-2	23	0781 396 UA	5-2	0	0782 317 02	5-11	4
0781 172 94	5-2	31	0781 397 01	5-1	4	0782 317 06	5-9	24
0781 301 07	5-1	8	0781 397 02	5-1	14	0782 317 08	5-9	15
0781 301 08	5-1	9	0781 397 03	5-1	38	0782 317 10	5-9	18
0781 301 09	5-1	10	0781 397 04	5-1	39	0782 317 15	5-9	26
0781 301 10	5-1	11	0781 397 05	5-1	40	0782 317 16	5-9	27
0781 301 11	5-1	12	0781 397 06	5-1	36	0782 317 19	5-9	30
0781 301 12	5-1	13	0781 397 07	5-1	55	0782 317 20	5-9	31
0781 301 14	5-1	15	0781 397 08	5-1	76	0782 317 21	5-9	32
0781 301 15	5-1	16	0781 397 09	5-1	77	0782 317 22	5-9	33
0781 301 16	5-1	17	0781 397 91	5-1	34	0782 317 25	5-9	11
0781 301 17	5-1	18	0781 397 92	5-1	1	0782 317 26	5-9	12
0781 301 18	5-1	19	0781 397 93	5-1	64	0782 317 28	5-9	4
0781 301 19	5-1	20	0781 397 94	5-1	65	0782 317 29	5-9	5

部品番号順索引

PARTS INDEX

HD85V4

PARTS No.	Sh No.	KEY No.	PARTS No.	Sh No.	KEY No.	PARTS No.	Sh No.	KEY No.
0782 317 35	5-9	36	0782 649 UA	5-8	0	0783 677 05	5-4	28
0782 317 35	5-11	26	0782 649 UA	11-1	50	0783 677 06	5-4	21
0782 646 05	5-12	14	0782 650 05	5-10	15	0783 677 07	5-4	24
0782 646 06	5-12	15	0782 650 09	5-10	10	0783 677 09	5-4	26
0782 646 12	5-12	12	0782 650 10	5-10	9	0783 677 10	5-4	27
0782 646 14	5-12	16	0782 650 14	5-10	12	0783 677 18	5-4	30
0782 646 15	5-12	17	0782 650 17	5-10	20	0783 677 21	5-4	52
0782 646 16	5-12	18	0782 650 18	5-10	21	0783 677 22	5-4	54
0782 646 18	5-12	20	0782 650 22	5-10	24	0783 677 23	5-4	50
0782 646 92	5-12	4	0782 650 23	5-10	26	0783 677 24	5-4	37
0782 646 93	0-0	27	0782 650 25	5-10	28	0783 677 26	5-4	39
0782 646 93	5-12	7	0782 650 28	5-10	31	0783 677 27	5-4	44
0782 646 UA	5-12	0	0782 650 92	5-10	4	0783 677 28	5-4	40
0782 646 UA	12-1	5	0782 650 93	0-0	25	0783 677 29	5-4	49
0782 647 UA	5-12	0-1	0782 650 93	5-10	7	0783 677 30	5-4	48
0782 647 UA	12-1	3	0782 650 UA	5-10	0	0783 677 83	5-4	34
0782 648 05	5-9	23	0782 650 UA	11-1	15	0783 698 92	5-4	62
0782 648 09	5-9	16	0782 651 05	5-11	13	0783 698 94	5-4	77
0782 648 10	5-9	17	0782 651 07	5-11	15	0783 698 95	5-4	64
0782 648 14	5-9	21	0782 651 13	5-11	10	0783 700 08	5-5	14
0782 648 18	5-9	28	0782 651 16	5-11	18	0783 700 09	5-5	6
0782 648 19	5-9	29	0782 651 17	5-11	19	0783 700 10	5-5	16
0782 648 24	5-9	34	0782 651 21	5-11	22	0783 700 12	5-5	9
0782 648 28	5-9	3	0782 651 22	5-11	24	0783 718 15	5-17	15
0782 648 32	5-9	7	0782 651 92	5-11	3	0783 718 91	5-17	6
0782 648 92	5-9	9	0782 651 93	0-0	26	0783 718 92	5-17	7
0782 648 93	0-0	24	0782 651 93	5-11	6	0783 749 01	5-4	47
0782 648 93	5-9	14	0782 651 UA	5-11	0	0783 749 02	5-4	38
0782 648 UA	5-9	0	0782 651 UA	11-2	2	0783 756 01	5-5	13
0782 648 UA	11-1	14	0783 637 16	5-15	15	0783 771 03	5-5	8
0782 649 05	5-8	15	0783 637 16	5-15[A]	15	0783 771 07	5-5	1
0782 649 09	5-8	9	0783 637 19	5-15	18	0783 842 01	5-4	60
0782 649 10	5-8	10	0783 637 19	5-15[A]	18	0783 842 02	5-4	20
0782 649 11	5-8	11	0783 637 20	5-15	19	0783 846 83	5-4	35
0782 649 13	5-8	13	0783 637 20	5-15[A]	19	0783 846 88	5-4	73
0782 649 17	5-8	20	0783 646 83	5-4	29	0783 920 06	5-13	17
0782 649 18	5-8	21	0783 646 84	5-4	68	0783 936 01	5-13	11
0782 649 22	5-8	25	0783 646 85	5-4	70	0783 951 01	5-13	1
0782 649 23	5-8	26	0783 664 03	5-16	8	0783 951 02	5-13	2
0782 649 25	5-8	28	0783 664 05	5-16	5	0783 951 03	5-13	4
0782 649 26	5-8	29	0783 664 06	5-16	3	0783 951 04	5-13	5
0782 649 27	5-8	30	0783 664 09	5-16	4	0783 951 05	5-13	6
0782 649 92	5-8	4	0783 677 02	5-4	14	0783 951 06	5-13	7
0782 649 93	0-0	23	0783 677 03	5-4	16	0783 951 08	5-13	12
0782 649 93	5-8	7	0783 677 04	5-4	17	0783 951 09	5-13	13

部品番号順索引

PARTS INDEX

HD85V4

PARTS No.	Sh No.	KEY No.	PARTS No.	Sh No.	KEY No.	PARTS No.	Sh No.	KEY No.
0783 951 10	5-13	20	0784 113 11	5-15[A]	3	0785 906 01	15-14	22
0783 951 11	5-13	21	0784 113 UA	4-4[A]	77-1	0785 906 02	15-14	13
0783 951 14	5-13	24	0784 113 UA	5-15[A]	0	0785 906 03	15-14	10
0783 951 15	5-13	25	0784 126 20	5-16	9	0785 906 04	15-14	16
0783 951 16	5-13	26	0784 127 01	5-5	17	0785 906 05	15-14	5
0783 951 17	5-13	27	0784 127 02	5-5	4	0785 906 06	15-14	7
0783 951 18	5-13	28	0784 127 03	5-5	5	0785 906 08	15-14	21
0783 951 91	5-13	29	0784 127 UA	4-4	1	0785 906 09	15-14	8
0783 964 01	5-5	15	0784 127 UA	4-4[A]	1	0785 906 11	15-14	19
0783 965 02	5-14	11	0784 127 UA	4-4[B]	1	0785 906 12	15-14	14
0783 965 03	5-14	11-1	0784 127 UA	5-5	0	0785 906 13	15-14	18
0783 965 04	5-14	19	0784 128 01	5-13	23	0785 906 14	15-14	4
0783 965 11	5-14	15	0784 132 01	5-4	59	0785 906 15	15-14	11
0783 970 01	5-4	25	0784 132 89	5-4	2	0785 919 01	15-14	2
0783 974 01	5-4	58	0784 132 90	5-4	3	0785 920 01	15-14	1
0783 974 03	5-4	19	0784 132 91	5-4	4	0785 920 UA	15-13	1
0783 974 04	5-4	33	0784 132 92	5-4	5	0785 920 UA	15-14	0
0783 974 85	5-4	75	0784 132 93	5-4	6	0785 932 UA	4-1	51
0783 974 87	5-4	1	0784 132 94	5-4	7	0786 804 UA	15-2	45
0783 974 95	5-4	9	0784 132 95	5-4	8	0786 988 UA	15-2	34
0783 995 01	5-13	22	0784 132 96	5-4	10	0787 305 UA	5-6	14
0784 023 02	5-14	18	0784 132 97	5-4	11	0789 001 UA	7-5	1
0784 023 UA	5-14	0	0784 132 98	5-4	12	0820 023 16	9-3	5
0784 023 UA	6-3	12	0784 132 99	5-4	13	0820 023 18	15-4	8
0784 028 UA	4-4	60	0784 132 UA	4-1	40	0820 023 19	15-4	7
0784 028 UA	4-4[A]	63	0784 132 UA	5-4	0	0820 067 03	6-2	38
0784 028 UA	4-4[B]	61	0784 137 UA	5-13	0	0820 067 03	6-3	23
0784 028 UA	5-16	0	0784 137 UA	6-1	10	0820 067 03	7-1	52
0784 112 04	5-15	1	0785 101 01	5-17	4	0820 067 03	7-5	24
0784 112 04	5-15[A]	1	0785 101 02	5-17	11	0820 067 03	9-1	47
0784 112 06	5-15	2	0785 169 UA	15-1	39	0820 067 03	9-1	47
0784 112 06	5-15[A]	2	0785 169 UA	15-2	39	0820 067 03	15-10	13
0784 112 07	5-15	3	0785 171 UA	15-3	26	0820 067 04	7-4	31
0784 112 08	5-15	4	0785 175 10	5-17	8	0820 067 04	9-1	48
0784 112 08	5-15[A]	4	0785 175 13	5-17	9	0820 067 04	15-5	2
0784 112 09	5-15	5	0785 175 14	5-17	10	0820 067 04	15-6	29
0784 112 09	5-15[A]	5	0785 175 17	5-17	12	0820 067 04	15-9	7
0784 112 10	5-15	6	0785 175 21	5-17	16	0820 067 05	9-3	14
0784 112 10	5-15[A]	6	0785 175 UA	4-4	80	0820 067 09	4-4	46
0784 112 11	5-15	7	0785 175 UA	4-4[A]	81	0820 067 09	4-4[A]	46
0784 112 11	5-15[A]	7	0785 175 UA	4-4[B]	83	0820 067 09	4-4[B]	47
0784 112 20	5-15	14	0785 175 UA	5-17	0	0820 067 09	9-2	49
0784 112 20	5-15[A]	14	0785 642 UA	5-4	70-1	0820 067 09	15-2	31
0784 112 UA	4-4[A]	77	0785 643 UA	5-4	70-2	0820 067 09	15-3	21
0784 112 UA	5-15	0	0785 644 UA	5-4	70-3	0820 067 10	4-4	30

部品番号順索引

PARTS INDEX

HD85V4

PARTS No.	Sh No.	KEY No.	PARTS No.	Sh No.	KEY No.	PARTS No.	Sh No.	KEY No.
0820 067 10	4-4[A]	30	0854 536 11	15-11	1-2	0898 000 90	15-6	1
0820 067 10	4-4[B]	30	0854 536 UA	15-11	1	0910 101 29	15-5	5
0820 067 10	15-13	38	0857 011 48	15-9	2	0910 870 05	4-4	55
0820 067 30	7-1	51	0857 011 57	9-2	45	0910 870 05	4-4[A]	58
0820 067 31	9-1	37	0857 056 03	9-3	1	0910 870 05	4-4[B]	56
0820 069 13	9-1	38	0857 909 UA	7-4	9	0910 870 05	8-1	41
0820 215 07	0-0	11	0858 140 01	9-1	42-1	0910 930 19	7-1	11
0820 215 07	7-5	9	0858 180 10	15-9	3	0910 930 30	7-1	13
0820 215 07	9-1	50	0858 306 03	0-0	10	0910 940 22	8-2	41
0820 215 07	9-2	34	0858 306 03	9-2	26	0910 941 42	7-1	65
0820 215 07	15-4	11	0858 306 04	0-0	10-1	0910 950 20	9-1	26
0820 215 10	0-0	9	0858 306 04	9-2	26-1	0910 950 21	7-1	58
0820 215 10	9-1	51	0858 314 02	7-5	10	0931 070 24	10-1	2
0820 513 UA	6-2	39	0858 314 02	9-2	21	0931 370 10	10-1	1-1
0820 650 20	7-5	16	0858 314 11	15-11	10	0931 370 11	10-1	1
0820 651 20	7-5	17	0858 314 12	15-11	11	0931 371 01	10-1	1-2
0820 658 01	9-1	31	0858 314 15	6-2	21	2034207015	8-5	58
0820 803 04	7-4	37	0858 314 33	9-2	36	3442505	8-5	35
0820 803 04	15-6	24	0858 314 34	9-3	24	4004 022 04	9-1	9
0820 803 05	15-6	25	0858 314 35	9-2	40	4004 128 00	1-3	16
0820 803 06	9-3	16	0858 501 16	9-1	57	4004 311 01	8-1	44
0820 803 06	15-6	28	0858 505 12	7-5	8	4004 311 02	7-1	49
0830 106 00	9-1	14-2	0858 614 05	9-2	31	4004 364 01	6-2	5
0830 106 04	9-1	14-3	0861 001 02	9-1	3	4004 364 01	9-2	7
0830 107 06	9-1	42-4	0879 551 30	9-1	15	4004 364 01	15-4	28
0830 107 07	9-1	42-5	0881 509 UA	9-2	1	4006 052 01	11-1	39
0830 107 08	9-1	42-6	0892 270 21	15-4	1-1	4006 052 02	11-1	39-1
0830 107 09	9-1	42-7	0892 270 51	15-6	32	4006 067 12	12-1	4
0830 107 10	9-1	42-8	0892 270 UA	15-4	1	4006 067 13	12-1	4-1
0830 107 11	9-1	42-2	0893 508 UA	15-10	1	4006 067 14	12-1	4-2
0830 107 12	9-1	42-3	0893 509 UA	9-2	38	4006 080 05	7-1	25
0830 243 02	9-1	14-4	0893 509 UA	15-2	24	4006 119 01	8-1	36
0830 291 01	9-1	14-1	0894 000 09	15-4	1-2	4006 119 01	8-2	13
0830 406 02	9-3	25	0897 000 UA	15-5	13	4006 119 01	15-5	24
0830 406 02	15-4	31	0897 001 UA	15-5	3	4006 119 02	7-1	60
0850 500 10	8-4	13	0897 002 UA	15-5	14	4006 119 02	7-1	60
0851 000 02	9-1	7	0898 000 00	15-6	8	4006 119 02	8-2	30
0852 119 22	9-1	19	0898 000 01	15-5	15	4006 119 03	7-1	12
0854 523 01	15-11	4-1	0898 000 02	15-4	9	4006 178 00	11-1	29
0854 523 06	15-11	4-2	0898 000 03	15-4	14	4006 540 71	11-1	40
0854 523 UA	15-11	4	0898 000 04	15-4	15	4006 540 72	11-1	40-1
0854 529 01	9-1	2-2	0898 000 05	15-4	13	4006 540 86	11-1	41
0854 529 05	9-1	2-1	0898 000 82	15-6	2	4006 540 86	11-2	11
0854 529 UA	9-1	2	0898 000 83	15-6	4	4006 540 87	11-1	41-1
0854 536 01	15-11	1-1	0898 000 84	15-6	3	4006 540 87	11-2	11-1

部品番号順索引

PARTS INDEX

HD85V4

PARTS No.	Sh No.	KEY No.	PARTS No.	Sh No.	KEY No.	PARTS No.	Sh No.	KEY No.
4006 540 91	11-1	42	4013001426	8-5	34	4016000033	8-7	63
4006 540 92	11-1	42-1	4013001437	8-7	60	4016000034	8-5	40
4007 309 00	11-3	14	4013001438	8-7	59	4016000035	8-5	56
4007 503 03	7-1	30	4013001450	8-7	47	4016000035	8-5	56
4011 165 05	12-1	6	4013 693 00	0-0	12	4016000035	8-6	2
4011 165 09	12-1	13	4013 693 00	11-1	7	4016000036	8-5	42
4011 252 07	12-1	12	4015000088	8-5	26	4016000037	8-5	43
4012000138	8-5	49	4015000091	8-5	55	4016000038	8-5	44
4012000185	8-5	39	4015000091	8-7	35	4016000039	8-5	51
4012000185	8-6	27	4015000092	8-5	27	4016000040	8-5	52
4012000185	8-7	22	4015000109	8-5	48	4016000041	8-5	54
4012000186	8-7	21	4016000000	8-5	2	4016000042	8-6	1
4012000189	8-7	52	4016000001	8-5	3	4016000043	8-6	4
4012000206	8-5	31	4016000002	8-5	4	4016000044	8-6	5
4012000206	8-7	37	4016000003	8-5	5	4016000045	8-6	6
4012000210	8-7	64	4016000004	8-5	6	4016000046	8-6	7
4012000215	8-7	49	4016000005	8-5	7	4016000047	8-6	8
4012000216	8-6	45	4016000006	8-5	8	4016000048	8-6	9
4012000239	8-6	12	4016000007	8-5	9	4016000049	8-6	10
4012000240	8-7	23	4016000008	8-5	10	4016000050	8-6	11
4012000245	8-6	46	4016000009	8-5	11	4016000051	8-6	14
4012000250	8-6	40	4016000010	8-5	12	4016000052	8-6	15
4012000251	8-6	38	4016000011	8-5	13	4016000053	8-6	16
4012000252	8-6	39	4016000012	8-5	14	4016000054	8-6	17
4012000254	8-6	41	4016000013	8-5	15	4016000054	8-7	39
4012000255	8-6	42	4016000015	8-5	17	4016000055	8-6	19
4012000256	8-6	43	4016000016	8-5	18	4016000056	8-6	21
4012000257	8-5	50	4016000017	8-5	19	4016000057	8-6	22
4012000259	8-5	53	4016000018	8-5	20	4016000058	8-6	23
4012000260	8-5	47	4016000019	8-5	21	4016000059	8-6	25
4012000274	8-6	32	4016000020	8-5	22	4016000060	8-6	26
4012000291	8-6	13	4016000021	8-5	37	4016000061	8-6	29
4012000297	8-6	20	4016000022	8-5	37-1	4016000062	8-6	30
4012000303	8-6	28	4016000023	8-5	24	4016000063	8-6	31
4012000314	8-6	33	4016000024	8-5	25	4016000064	8-6	35
4012000316	8-6	34	4016000026	8-5	28	4016000065	8-6	36
4012000352	8-7	62	4016000028	8-5	29	4016000066	8-6	37
4012000356	8-6	18	4016000029	8-5	30	4016000067	8-6	44
4012000367	8-6	24	4016000029	8-7	28	4016000068	8-6	47
4012000370	8-7	17	4016000030	8-5	32	4016000069	8-7	1
4012000390	8-5	36	4016000031	8-5	33	4016000070	8-7	2
4012000428	8-7	36	4016000033	8-5	57	4016000071	8-7	3
4012 220 00	1-4	8	4016000033	8-5	57	4016000072	8-7	4
4013001417	8-5	45	4016000033	8-6	3	4016000073	8-7	5
4013001418	8-5	46	4016000033	8-7	63	4016000074	8-7	6

部品番号順索引

PARTS INDEX

HD85V4

PARTS No.	Sh No.	KEY No.	PARTS No.	Sh No.	KEY No.	PARTS No.	Sh No.	KEY No.
4016000075	8-7	7	4016 030 04	8-1	34	4070 477 32	4-2	1
4016000076	8-7	8	4040 000 52	7-1	26	4070 477 32	12-2	9
4016000077	8-7	9	4040 469 17	11-1	26	4070 478 09	1-7	1
4016000078	8-7	10	4040 867 00	6-2	16	4070 496 04	4-2	4
4016000079	8-7	11	4043 105 04	11-1	17	4070 496 13	15-1	22
4016000080	8-7	12	4043 105 05	11-1	18	4070 496 31	4-2	3
4016000081	8-7	13	4043 228 01	12-1	10	4070 496 33	4-2	5
4016000082	8-7	14	4043 229 06	11-1	16	4070 548 03	6-3	2
4016000083	8-7	15	4043 229 08	11-1	20	4070 548 06	4-4	40
4016000084	8-7	16	4047 035 02	1-4	5	4070 548 06	4-4[A]	40
4016000085	8-7	18	4070 001 09	15-2	18	4070 548 06	4-4[B]	40
4016000086	8-7	19	4070 001 18	15-2	17	4070 548 08	4-4	43
4016000087	8-7	20	4070 001 36	15-2	14	4070 548 08	4-4[A]	43
4016000088	8-7	24	4070 012 26	1-7	4	4070 548 08	4-4[B]	43
4016000089	8-7	25	4070 015 09	4-1	8	4070 548 08	15-2	20
4016000090	8-7	26	4070 015 14	4-4	71	4070 548 10	15-2	21
4016000091	8-7	27	4070 015 14	4-4	71	4070 548 17	4-4	22
4016000092	8-7	30	4070 015 14	4-4[A]	74	4070 548 17	4-4[A]	22
4016000093	8-7	31	4070 015 14	4-4[A]	74	4070 548 17	4-4[B]	22
4016000094	8-7	32	4070 015 14	4-4[B]	72	4070 548 19	4-4	42
4016000095	8-7	33	4070 015 14	4-4[B]	72	4070 548 19	4-4[A]	42
4016000096	8-7	34	4070 015 38	1-7	3	4070 548 19	4-4[B]	42
4016000097	8-7	38	4070 015 58	4-1	7	4070 548 20	4-4	57
4016000098	8-7	40	4070 016 11	4-3	3	4070 548 20	4-4[A]	60
4016000099	8-7	41	4070 056 29	4-4	70	4070 548 20	4-4[B]	58
4016000100	8-7	42	4070 056 29	4-4[A]	73	4070 548 23	4-4	52
4016000101	8-7	43	4070 056 29	4-4[B]	71	4070 548 23	4-4[A]	55
4016000102	8-7	44	4070 056 37	4-4	21	4070 548 23	4-4[B]	53
4016000103	8-7	45	4070 056 37	4-4[A]	21	4070 548 24	4-4	72
4016000104	8-7	46	4070 056 37	4-4[B]	21	4070 548 24	4-4[A]	75
4016000105	8-7	48	4070 056 45	4-4	69	4070 548 24	4-4[B]	73
4016000106	8-7	50	4070 056 45	4-4[A]	72	4070 548 25	4-4	89
4016000107	8-7	51	4070 056 45	4-4[B]	70	4070 548 25	4-4[A]	90
4016000108	8-7	53	4070 066 06	4-1	2	4070 548 25	4-4[B]	92
4016000109	8-7	54	4070 067 16	1-7	2	4070 548 27	4-4	85
4016000110	8-7	55	4070 071 01	11-4	38	4070 548 27	4-4[A]	86
4016000111	8-7	56	4070 102 11	9-3	6	4070 548 27	4-4[B]	88
4016000112	8-7	57	4070 102 16	15-6	7	4070 548 28	15-2	19
4016000113	8-7	58	4070 102 25	15-6	5	4070 548 28	15-3	17
4016000114	8-7	61	4070 102 44	15-6	6	4070 548 31	15-3	18
4016000115	8-7	65	4070 180 07	4-1	1	4070 548 32	6-3	1
4016000116	8-7	66	4070 183 05	15-1	15	4070 548 38	4-4	51
4016000233	8-5	23	4070 307 08	7-1	39	4070 548 38	4-4[A]	54
4016000234	8-5	23-1	4070 338 30	4-3	1	4070 548 38	4-4[B]	52
4016000235	8-5	16	4070 477 22	4-2	2	4070 548 39	6-3	10

部品番号順索引

PARTS INDEX

HD85V4

PARTS No.	Sh No.	KEY No.	PARTS No.	Sh No.	KEY No.	PARTS No.	Sh No.	KEY No.
4070 548 40	4-4	54	4070 551 07	4-4[A]	17	4080 000 05	11-4	22
4070 548 40	4-4[A]	57	4070 551 07	4-4[B]	17	4080 000 05	15-6	33
4070 548 40	4-4[B]	55	4070 551 08	4-4	73	4080 000 06	4-3	11
4070 548 41	4-4	16	4070 551 08	4-4[A]	76	4080 000 06	11-4	18
4070 548 41	4-4[A]	16	4070 551 08	4-4[B]	74	4080 000 09	4-4	45
4070 548 41	4-4[B]	16	4070 551 14	15-2	22	4080 000 09	4-4[A]	45
4070 548 44	4-4	56	4070 551 15	4-4	33	4080 000 09	4-4[B]	46
4070 548 44	4-4	56	4070 551 15	4-4[A]	33	4080 000 11	4-4	74
4070 548 44	4-4[A]	59	4070 551 15	4-4[B]	33	4080 000 14	7-4	29
4070 548 44	4-4[A]	59	4070 551 16	6-3	4	4080 000 25	7-4	30
4070 548 44	4-4[B]	57	4070 551 26	15-1	17	4080 000 26	4-3	10
4070 548 44	4-4[B]	57	4070 551 30	6-1	6	4080 000 29	15-6	22
4070 548 51	4-4	19	4070 551 32	4-4	18	4081 118 00	15-2	3
4070 548 51	4-4[A]	19	4070 551 32	4-4[A]	18	4081 118 00	15-3	3
4070 548 51	4-4[B]	19	4070 551 32	4-4[B]	18	4081 118 00	15-13	18
4070 548 52	4-4	88	4070 551 46	6-3	5	4081 189 00	15-3	4
4070 548 52	4-4[A]	89	4070 551 52	4-4	10	4123 012 00	0-0	17
4070 548 52	4-4[B]	91	4070 551 52	4-4[A]	10	4123 012 00	11-3	10
4070 548 55	4-4	87	4070 551 52	4-4[B]	10	4123 013 00	0-0	18
4070 548 55	4-4	87	4070 551 53	4-4	11	4123 013 00	11-3	5
4070 548 55	4-4[A]	88	4070 551 53	4-4[A]	11	4170 198 00	1-3	13
4070 548 55	4-4[A]	88	4070 551 53	4-4[B]	11	4401 631 00	1-3	21
4070 548 55	4-4[B]	90	4070 551 54	15-1	18	4405 307 01	4-4	53-1
4070 548 55	4-4[B]	90	4070 551 57	4-4	13	4405 307 01	4-4	53-1
4070 548 55	15-1	20	4070 551 57	4-4[A]	13	4405 307 01	4-4[A]	56-1
4070 548 61	4-4	53	4070 551 57	4-4[B]	13	4405 307 01	4-4[A]	56-1
4070 548 61	4-4	53	4070 551 58	4-4	32	4405 307 01	4-4[B]	54-1
4070 548 61	4-4[A]	56	4070 551 58	4-4[A]	32	4405 307 01	4-4[B]	54-1
4070 548 61	4-4[A]	56	4070 551 58	4-4[B]	32	4405 307 02	4-4	54-1
4070 548 61	4-4[B]	54	4070 740 04	15-6	30	4405 307 02	4-4	54-1
4070 548 61	4-4[B]	54	4070 754 17	4-1	6	4405 307 02	4-4[A]	57-1
4070 548 61	6-3	3	4070 842 16	15-13	3	4405 307 02	4-4[A]	57-1
4070 548 65	6-1	4	4070 842 34	15-13	4	4405 307 02	4-4[B]	55-1
4070 548 75	4-4	38	4072 220 00	9-3	17	4405 307 02	4-4[B]	55-1
4070 548 75	4-4[A]	38	4072 220 00	15-6	9	4405 307 03	4-4	41-1
4070 548 75	4-4[B]	38	4072 887 00	5-6	3	4405 307 03	4-4[A]	41-1
4070 548 85	6-1	2	4072 971 00	4-2	8	4405 307 03	4-4[B]	41-1
4070 548 87	4-4	86	4072 971 00	11-4	35	4405 307 04	4-4	40-1
4070 548 87	4-4[A]	87	4072 971 00	12-2	10	4405 307 04	4-4[A]	40-1
4070 548 87	4-4[B]	89	4072 971 00	15-1	27	4405 307 04	4-4[B]	40-1
4070 548 94	4-4	12	4077 036 00	5-6	4	4405 307 04	15-3	16-1
4070 548 94	4-4[A]	12	4079 027 00	5-6	6	4405 308 01	4-4	13-1
4070 548 94	4-4[B]	12	4080 000 02	7-5	11	4405 308 01	4-4[A]	13-1
4070 551 06	6-1	5	4080 000 03	9-1	33	4405 308 01	4-4[B]	13-1
4070 551 07	4-4	17	4080 000 05	9-1	34	4405 308 02	4-4	12-1

部品番号順索引

PARTS INDEX

HD85V4

PARTS No.	Sh No.	KEY No.	PARTS No.	Sh No.	KEY No.	PARTS No.	Sh No.	KEY No.
4405 308 02	4-4[A]	12-1	4405 311 01	4-4[A]	38-1	4448 607 00	8-10[E]	26
4405 308 02	4-4[B]	12-1	4405 311 01	4-4[B]	38-1	4448 619 00	8-10[E]	27
4405 308 03	4-4	39-1	4405 311 02	4-4	52-1	4448 651 00	8-10[A]	25
4405 308 03	4-4[A]	39-1	4405 311 02	4-4[A]	55-1	4448 687 00	8-10[B]	25
4405 308 03	4-4[B]	39-1	4405 311 02	4-4[B]	53-1	4448 944 00	8-10[C]	25
4405 308 03	15-2	16-1	4405 312 01	4-4	43-1	4448 987 00	4-4[B]	82
4405 308 04	4-4	42-1	4405 312 01	4-4[A]	43-1	4449 003 00	8-10[F]	25
4405 308 04	4-4[A]	42-1	4405 312 01	4-4[B]	43-1	4449 406 00	8-10[E]	25
4405 308 04	4-4[B]	42-1	4405 312 02	4-4	72-1	4457 535 00	9-2	27
4405 309 01	4-4	51-1	4405 312 02	4-4[A]	75-1	4458 322 00	9-1	13
4405 309 01	4-4	51-1	4405 312 02	4-4[B]	73-1	4459 598 00	7-2	13
4405 309 01	4-4[A]	54-1	4405 318 01	11-4	24-1	4460 756 00	1-1	3
4405 309 01	4-4[A]	54-1	4405 318 02	11-4	28-1	4460 756 00	2-1	14
4405 309 01	4-4[B]	52-1	4405 319 01	11-4	23-1	4461 749 00	1-1	6
4405 309 01	4-4[B]	52-1	4405 319 02	11-4	27-1	4475 590 00	1-1	23
4405 309 02	4-4	32-1	4405 320 01	11-4	25-1	4475 591 00	1-1	22
4405 309 02	4-4[A]	32-1	4405 320 02	11-4	26-1	4485 508 00	1-3	12
4405 309 02	4-4[B]	32-1	4405 451 00	8-10[C]	8	4485 509 00	1-3	15
4405 309 03	4-4	34-1	4405 457 00	8-10[C]	4	4511 501 01	0-0	13
4405 309 03	4-4[A]	34-1	4405 457 00	8-10[D]	4	4511 501 01	11-1	23
4405 309 03	4-4[B]	34-1	4405 457 00	8-10[E]	4	4522 707 01	15-11	9
4405 309 04	4-4	36-1	4405 457 00	8-10[F]	4	4550 718 00	7-1	45
4405 309 04	4-4[A]	36-1	4406 458 00	8-10[A]	8	4550 726 00	8-1	25
4405 309 04	4-4[B]	36-1	4406 714 00	8-10[B]	8	4550 726 00	9-3	12
4405 309 04	15-3	15-1	4407 974 00	8-10[A]	4	4550 873 00	8-1	26
4405 310 01	4-4	56-1	4407 974 00	8-10[B]	4	4550 906 25	8-4	11
4405 310 01	4-4	56-1	4409 625 11	9-1	10	4550 906 26	8-4	12
4405 310 01	4-4[A]	59-1	4416 063 01	9-1	8	4580 016 00	4-4	47
4405 310 01	4-4[A]	59-1	4416 108 00	7-1	20	4580 016 00	4-4[A]	47
4405 310 01	4-4[B]	57-1	4420 525 00	1-4	2	4580 016 00	4-4[B]	48
4405 310 01	4-4[B]	57-1	4428 048 00	2-1	8	4580 514 00	12-2	3
4405 310 02	4-4	57-1	4435 637 00	11-3	13	4580 562 00	7-1	27
4405 310 02	4-4	57-1	4447 653 00	8-10	26	4580 730 00	1-7	6
4405 310 02	4-4[A]	60-1	4447 857 00	8-10[A]	26	5060005342	8-5	1
4405 310 02	4-4[A]	60-1	4447 874 00	8-10	25	5064705300	8-5	1-1
4405 310 02	4-4[B]	58-1	4447 925 00	8-10[C]	26	5988 005 57	0-0	40
4405 310 02	4-4[B]	58-1	4447 996 00	8-10[B]	26	5988 005 58	0-0	40-1
4405 310 03	4-4	35-1	4448 350 00	8-10[D]	26	5988 005 60	0-0	39
4405 310 03	4-4[A]	35-1	4448 474 00	8-10[A]	27	5988 005 61	0-0	39-1
4405 310 03	4-4[B]	35-1	4448 511 00	8-10[C]	27	5988 009 00	0-0	38
4405 310 03	15-2	15-1	4448 542 00	8-10[B]	27	D004 049 02	6-2	37
4405 310 04	4-4	37-1	4448 562 00	8-10[F]	27	D006 032 00	8-9	4
4405 310 04	4-4[A]	37-1	4448 584 00	8-10[F]	8	D006 047 00	8-9	8
4405 310 04	4-4[B]	37-1	4448 587 00	8-10[F]	26	D007 039 02	8-1	35
4405 311 01	4-4	38-1	4448 603 00	8-10[E]	8	D007 039 03	8-1	35-1

部品番号順索引

PARTS INDEX

HD85V4

PARTS No.	Sh No.	KEY No.	PARTS No.	Sh No.	KEY No.	PARTS No.	Sh No.	KEY No.
D007 059 00	1-1	21	D060 580 00	4-3	19	D070 609 05	11-4	28
D007 240 01	7-1	56	D060 581 00	4-1	17	D070 609 06	15-1	23
D007 240 02	7-1	57	D060 582 00	4-1	18	D070 613 01	15-2	16
D013 343 00	11-1	8	D060 583 00	4-1	42	D070 614 01	15-2	15
D013 384 00	6-1	27	D060 584 00	4-3	23	D070 615 01	15-3	16
D013 461 01	11-1	6	D065 094 00	4-4	66	D070 615 02	15-3	15
D017 254 02	11-1	11	D065 094 00	4-4[A]	69	D070 631 01	12-2	2
D017 268 01	11-1	9	D065 094 00	4-4[B]	67	D070 631 02	12-2	1
D017 269 01	11-1	12	D065 096 00	4-4	67	D070 634 01	15-1	21
D017 269 02	11-1	13	D065 096 00	4-4[A]	70	D070 640 01	15-13	6
D017 270 01	11-1	48	D065 096 00	4-4[B]	68	D070 642 01	15-2	12
D017 270 04	11-1	10	D070 022 17	11-4	7	D070 642 02	15-3	13
D017 270 04	11-2	3	D070 022 18	11-4	8	D070 644 01	7-5	2
D017 273 00	11-2	4	D070 022 19	11-4	7-1	D070 644 02	7-5	3
D017 278 00	11-2	5	D070 022 20	11-4	8-1	D070 656 01	4-1	3
D017 281 00	6-2	15	D070 105 00	4-1	10	D070 693 02	11-4	5
D040 066 00	11-1	25	D070 111 10	15-13	8	D070 693 03	11-4	6
D040 198 00	11-1	24	D070 111 12	15-13	9	D076 019 00	4-1	48
D040 219 01	1-3	14	D070 120 11	15-13	7	D080 015 00	7-2	9
D040 249 07	4-3	16	D070 120 12	15-13	5	D081 023 00	15-1	4
D040 345 00	4-4[A]	52	D070 375 08	15-1	24	D081 044 00	11-4	10
D043 031 00	11-1	19	D070 388 05	11-4	4	D081 046 00	11-4	9
D043 126 00	11-1	37	D070 388 26	11-4	3	D081 195 00	15-1	3
D043 127 00	11-2	6	D070 417 02	15-13	2	D081 208 00	15-13	17
D043 128 00	11-2	7	D070 572 03	4-1	5	D082 108 00	15-2	2
D047 003 00	11-2	12	D070 572 04	4-1	9	D082 108 00	15-3	2
D047 058 00	11-1	33	D070 572 05	4-1	4	D082 109 00	15-2	1
D047 058 00	11-2	10	D070 574 00	7-4	3	D082 109 00	15-3	1
D047 083 00	6-2	18	D070 577 01	4-4	44	D082 110 00	15-1	2
D060 028 00	4-4[A]	78	D070 577 01	4-4[A]	44	D082 111 00	15-1	1
D060 028 00	6-3	9	D070 577 01	4-4[B]	45	D082 120 00	15-13	16
D060 028 00	15-1	40	D070 578 04	4-3	2	D083 154 00	4-3	8
D060 028 00	15-3	28	D070 578 06	4-3	4	D094 129 00	8-1	43
D060 137 00	4-4	77	D070 606 03	7-4	17	D131 066 00	11-3	15
D060 137 00	4-4[B]	78	D070 606 07	7-4	15	D170 067 00	6-2	19
D060 137 00	15-13	26	D070 606 09	7-4	16	D181 002 00	6-3	19
D060 343 00	7-4	40	D070 606 09	7-5	4	D206 999 00	8-2	15
D060 403 00	15-2	42	D070 606 10	7-4	18	D207 000 00	8-2	16
D060 451 00	11-4	14	D070 606 13	7-4	19	D207 003 00	8-2	31
D060 511 00	15-1	30	D070 606 14	7-4	20	D207 004 00	8-2	14
D060 552 00	4-1	20	D070 608 00	7-2	8	D210 156 00	11-1	1
D060 555 00	15-1	26	D070 609 01	11-4	23	D215 244 00	11-1	2-1
D060 577 00	4-1	50	D070 609 02	11-4	24	D215 245 00	15-8	3
D060 578 00	4-1	37	D070 609 03	11-4	25	D215 246 00	11-1	2
D060 579 00	4-1	43	D070 609 04	11-4	27	D230 076 00	7-3	1

部品番号順索引

PARTS INDEX

HD85V4

PARTS No.	Sh No.	KEY No.	PARTS No.	Sh No.	KEY No.	PARTS No.	Sh No.	KEY No.
D234 015 00	1-1	18	D405 359 00	8-10[A]	15	D405 505 00	8-10[F]	12
D236 020 00	1-4	6-1	D405 359 00	8-10[B]	15	D405 505 00	8-10[G]	12
D236 021 00	1-4	6	D405 359 00	8-10[C]	15	D405 506 00	8-10[A]	19
D257 116 00	12-1	14	D405 359 00	8-10[D]	15	D405 506 00	8-10[B]	19
D260 552 00	8-1	10	D405 359 00	8-10[E]	15	D405 506 00	8-10[C]	19
D260 565 00	1-7	5	D405 359 00	8-10[F]	15	D405 506 00	8-10[D]	19
D263 297 00	8-9	1	D405 359 00	8-10[G]	15	D405 506 00	8-10[E]	19
D263 299 00	8-9	10	D405 366 00	8-10[A]	13	D405 506 00	8-10[F]	19
D270 048 00	11-3	1-5	D405 366 00	8-10[B]	13	D405 506 00	8-10[G]	19
D270 055 00	11-3	1-3	D405 366 00	8-10[C]	13	D405 507 00	8-10[A]	10
D270 057 00	11-3	1-1	D405 366 00	8-10[D]	13	D405 507 00	8-10[B]	10
D270 058 00	11-3	1-7	D405 366 00	8-10[E]	13	D405 507 00	8-10[C]	10
D270 081 00	11-3	1	D405 366 00	8-10[F]	13	D405 507 00	8-10[D]	10
D270 082 00	11-3	1-4	D405 366 00	8-10[G]	13	D405 507 00	8-10[E]	10
D270 088 00	11-3	1-6	D405 373 00	8-10	21	D405 507 00	8-10[F]	10
D270 117 00	11-3	1-2	D405 424 00	8-10	14	D405 507 00	8-10[G]	10
D284 268 00	7-4	1	D405 447 00	4-4[A]	79	D405 508 00	8-10[A]	17
D284 270 00	5-6	1	D405 449 00	8-10	20	D405 508 00	8-10[B]	17
D285 315 00	11-4	1	D405 450 00	8-10	11	D405 508 00	8-10[C]	17
D286 306 00	15-13	12	D405 451 00	8-10	18	D405 508 00	8-10[D]	17
D286 344 00	5-6	2	D405 452 00	8-10	15	D405 508 00	8-10[E]	17
D286 392 00	15-1	13	D405 453 00	8-10	27	D405 508 00	8-10[F]	17
D286 393 00	15-1	14	D405 454 00	8-10	12	D405 508 00	8-10[G]	17
D286 394 00	15-2	10	D405 455 00	8-10	13	D405 509 00	8-10[A]	14
D286 395 00	15-2	11	D405 462 00	8-10	17	D405 509 00	8-10[B]	14
D286 396 00	15-3	11	D405 463 00	8-10	19	D405 509 00	8-10[C]	14
D286 397 00	15-3	12	D405 503 00	8-10[A]	16	D405 509 00	8-10[D]	14
D286 419 00	4-1	15	D405 503 00	8-10[B]	16	D405 509 00	8-10[E]	14
D286 420 00	4-1	14	D405 503 00	8-10[C]	16	D405 509 00	8-10[F]	14
D286 421 00	4-1	13	D405 503 00	8-10[D]	16	D405 509 00	8-10[G]	14
D286 422 00	4-1	16	D405 503 00	8-10[E]	16	D405 510 00	8-10[A]	31
D286 436 00	15-13	13	D405 503 00	8-10[F]	16	D405 510 00	8-10[B]	31
D286 448 00	15-13	10	D405 503 00	8-10[G]	16	D405 510 00	8-10[C]	31
D286 449 00	15-13	11	D405 504 00	8-10[A]	18	D405 510 00	8-10[D]	31
D286 483 00	11-4	2	D405 504 00	8-10[B]	18	D405 510 00	8-10[E]	31
D400 273 00	8-1	18	D405 504 00	8-10[C]	18	D405 510 00	8-10[F]	31
D401 710 00	8-1	33	D405 504 00	8-10[D]	18	D405 510 00	8-10[G]	31
D401 712 00	7-1	66	D405 504 00	8-10[E]	18	D405 511 00	8-10[A]	11
D405 059 00	8-10[D]	27	D405 504 00	8-10[F]	18	D405 511 00	8-10[B]	11
D405 256 00	8-10[D]	25	D405 504 00	8-10[G]	18	D405 511 00	8-10[C]	11
D405 272 00	4-4	49	D405 505 00	8-10[A]	12	D405 511 00	8-10[D]	11
D405 272 00	4-4[B]	50	D405 505 00	8-10[B]	12	D405 511 00	8-10[E]	11
D405 323 00	8-10[A]	20	D405 505 00	8-10[C]	12	D405 511 00	8-10[F]	11
D405 332 00	8-10	16	D405 505 00	8-10[D]	12	D405 511 00	8-10[G]	11
D405 359 00	7-5	21	D405 505 00	8-10[E]	12	D405 518 00	4-4[A]	79-1

部品番号順索引

PARTS INDEX

HD85V4

PARTS No.	Sh No.	KEY No.	PARTS No.	Sh No.	KEY No.	PARTS No.	Sh No.	KEY No.
D405 559 00	8-10[F]	20	D406 624 00	8-10[A]	37-2	D407 016 00	8-10[G]	8
D405 571 00	8-10[C]	20	D406 624 00	8-10[B]	37-2	D407 017 00	8-10[D]	8
D405 575 00	8-10[B]	20	D406 624 00	8-10[C]	37-2	D407 125 01	15-1	19-1
D405 587 00	8-10[D]	20	D406 624 00	8-10[D]	37-2	D407 125 02	15-1	18-1
D405 594 00	8-10[E]	20	D406 624 00	8-10[E]	37-2	D407 818 01	6-3	10-1
D406 000 00	8-10[G]	4	D406 624 00	8-10[F]	37-2	D407 818 02	6-3	1-1
D406 002 00	8-10[G]	26	D406 624 00	8-10[G]	37-2	D407 818 03	4-4	33-1
D406 005 00	8-10[G]	20	D406 625 00	8-10	33-3	D407 818 03	4-4[A]	33-1
D406 007 00	8-10[G]	27	D406 625 00	8-10[A]	37-3	D407 818 03	4-4[B]	33-1
D406 364 00	8-10[A]	30	D406 625 00	8-10[B]	37-3	D407 818 04	4-4	73-1
D406 364 00	8-10[B]	30	D406 625 00	8-10[C]	37-3	D407 818 04	4-4[A]	76-1
D406 364 00	8-10[C]	30	D406 625 00	8-10[D]	37-3	D407 818 04	4-4[B]	74-1
D406 364 00	8-10[D]	30	D406 625 00	8-10[E]	37-3	D407 819 00	9-2	19
D406 364 00	8-10[E]	30	D406 625 00	8-10[F]	37-3	D407 820 00	9-3	23
D406 364 00	8-10[F]	30	D406 625 00	8-10[G]	37-3	D407 824 00	9-2	28
D406 364 00	8-10[G]	30	D406 626 00	8-10[A]	37-4	D407 829 00	9-2	32
D406 490 00	8-10	5	D406 627 00	8-10	33-4	D407 877 00	8-10	8
D406 499 01	6-1	4-1	D406 628 00	8-10	34	D407 887 00	8-10[A]	7
D406 499 02	6-1	2-1	D406 628 00	8-10[A]	38	D407 889 00	8-10[B]	7
D406 499 03	6-1	3-1	D406 628 00	8-10[B]	38	D407 891 00	8-10[F]	7
D406 499 04	6-1	1-1	D406 628 00	8-10[C]	38	D407 906 00	8-10[D]	7
D406 504 00	8-10[A]	5	D406 628 00	8-10[D]	38	D407 912 00	8-10[E]	7
D406 550 00	8-10[C]	5	D406 628 00	8-10[E]	38	D407 917 00	8-10[C]	7
D406 554 00	8-10[B]	5	D406 628 00	8-10[F]	38	D407 963 00	9-2	42
D406 558 00	8-10[F]	5	D406 628 00	8-10[G]	38	D407 964 00	9-2	43
D406 562 00	8-10[E]	5	D406 629 00	8-10	35	D407 965 00	9-2	37
D406 565 00	8-10[D]	5	D406 630 00	8-10	32	D407 966 00	9-2	46
D406 597 00	8-10	9	D406 630 00	8-10[A]	36	D407 967 00	9-2	47
D406 622 00	8-10	33	D406 630 00	8-10[B]	36	D407 968 00	9-2	48
D406 622 00	8-10[A]	37	D406 630 00	8-10[C]	36	D408 205 00	15-4	16
D406 622 00	8-10[B]	37	D406 630 00	8-10[D]	36	D408 230 00	8-10	36
D406 622 00	8-10[C]	37	D406 630 00	8-10[E]	36	D408 280 00	9-2	23
D406 622 00	8-10[D]	37	D406 630 00	8-10[F]	36	D408 285 00	9-2	41
D406 622 00	8-10[E]	37	D406 630 00	8-10[G]	36	D408 292 00	9-1	45
D406 622 00	8-10[F]	37	D406 631 00	8-10	23	D408 324 00	8-10	4
D406 622 00	8-10[G]	37	D406 720 00	8-10[G]	25	D408 328 00	8-10	10
D406 623 00	8-10	33-1	D406 744 00	8-10[G]	7	D408 371 00	8-10	24
D406 623 00	8-10[A]	37-1	D406 783 00	8-10[A]	22	D408 371 00	8-10[A]	23
D406 623 00	8-10[B]	37-1	D406 783 00	8-10[B]	22	D408 371 00	8-10[B]	23
D406 623 00	8-10[C]	37-1	D406 783 00	8-10[C]	22	D408 371 00	8-10[C]	23
D406 623 00	8-10[D]	37-1	D406 783 00	8-10[D]	22	D408 371 00	8-10[D]	23
D406 623 00	8-10[E]	37-1	D406 783 00	8-10[E]	22	D408 371 00	8-10[E]	23
D406 623 00	8-10[F]	37-1	D406 783 00	8-10[F]	22	D408 371 00	8-10[F]	23
D406 623 00	8-10[G]	37-1	D406 783 00	8-10[G]	22	D408 371 00	8-10[G]	23
D406 624 00	8-10	33-2	D406 811 00	8-10[G]	5	D408 424 00	8-10[A]	9

部品番号順索引

PARTS INDEX

HD85V4

PARTS No.	Sh No.	KEY No.	PARTS No.	Sh No.	KEY No.	PARTS No.	Sh No.	KEY No.
D408 425 00	8-10[B]	9	D408 809 00	8-10[D]	6	D409 026 00	8-10[G]	1
D408 426 00	8-10[C]	9	D408 810 00	8-10[E]	6	D416 701 00	15-8	1
D408 427 00	8-10[D]	9	D408 811 00	8-10[F]	6	D417 821 00	9-1	30
D408 428 00	8-10[E]	9	D408 812 00	8-10[G]	6	D418 139 00	6-2	44
D408 429 00	8-10[F]	9	D408 817 00	8-10[B]	20-1	D418 304 00	9-2	30
D408 430 00	8-10[G]	9	D408 821 00	8-10	37	D418 455 00	8-4	2
D408 447 00	9-2	24	D408 850 00	7-5	20	D418 564 00	8-2	42
D408 643 00	9-2	22	D408 867 00	8-10[D]	24	D418 630 00	15-11	3
D408 648 00	8-10	31	D408 944 00	8-10	3	D418 632 00	15-11	2
D408 649 00	8-10	30	D408 944 00	8-10[A]	3	D418 688 00	15-10	2
D408 650 00	8-10[A]	35	D408 948 00	8-10[A]	3-1	D418 689 00	15-10	3
D408 651 00	8-10[A]	34	D408 948 00	8-10[B]	3	D418 756 00	11-4	12
D408 653 00	8-10	22	D408 948 00	8-10[C]	3	D418 815 00	15-2	50
D408 653 00	8-10[A]	21	D408 948 00	8-10[D]	3	D418 815 00	15-3	29
D408 653 00	8-10[B]	21	D408 948 00	8-10[E]	3	D418 908 00	8-1	39
D408 653 00	8-10[C]	21	D408 948 00	8-10[F]	3	D418 909 00	8-1	8
D408 653 00	8-10[D]	21	D408 948 00	8-10[G]	3	D419 122 00	4-4	76
D408 653 00	8-10[E]	21	D408 953 00	8-4	15	D419 161 00	15-11	5
D408 653 00	8-10[F]	21	D408 967 00	8-10[A]	29	D419 193 00	15-13	15
D408 653 00	8-10[G]	21	D408 967 00	8-10[B]	29	D419 195 00	7-4	23
D408 706 00	8-10[C]	35	D408 967 00	8-10[C]	29	D419 286 00	6-3	13
D408 707 00	8-10[C]	34	D408 967 00	8-10[D]	29	D419 323 00	8-1	28
D408 708 00	8-10[B]	35	D408 967 00	8-10[E]	29	D419 342 00	6-1	26
D408 709 00	8-10[B]	34	D408 967 00	8-10[F]	29	D419 343 00	6-1	30
D408 710 00	8-10[F]	35	D408 967 00	8-10[G]	29	D419 359 00	15-4	2
D408 711 00	8-10[F]	34	D408 972 00	8-10[A]	24	D419 472 00	9-3	2
D408 712 00	8-10[E]	35	D408 973 00	8-10[B]	24	D419 542 00	8-1	6
D408 713 00	8-10[E]	34	D408 974 00	8-10[C]	24	D419 563 00	7-1	2
D408 714 00	8-10[D]	35	D408 976 00	8-10[E]	24	D419 564 00	7-1	3
D408 715 00	8-10[D]	34	D408 977 00	8-10[F]	24	D419 566 00	7-1	15
D408 716 00	8-10[G]	35	D408 978 00	8-10[G]	24	D419 580 00	9-2	4
D408 717 00	8-10[G]	34	D408 995 00	8-10[C]	39	D419 647 00	15-12	4
D408 768 00	8-10	29	D408 996 00	8-10[B]	39	D419 656 00	4-4[B]	76
D408 778 00	15-2	33	D408 997 00	8-10[D]	39	D419 672 00	9-2	13
D408 798 00	8-10[A]	28	D408 998 00	8-10[G]	39	D419 676 00	6-1	13
D408 799 00	8-10[B]	28	D408 999 00	8-10[E]	39	D419 708 00	11-2	1
D408 800 00	8-10[C]	28	D409 000 00	8-10[F]	39	D419 719 00	7-1	4
D408 801 00	8-10[D]	28	D409 001 00	8-10[A]	39	D419 722 00	7-1	5
D408 802 00	8-10[E]	28	D409 025 00	8-10	1	D419 723 00	8-8	2
D408 803 00	8-10[F]	28	D409 026 00	8-10[A]	1	D419 725 00	7-2	1
D408 804 00	8-10[G]	28	D409 026 00	8-10[B]	1	D419 726 00	8-2	26
D408 805 00	8-10	6	D409 026 00	8-10[C]	1	D419 734 00	4-1	49
D408 806 00	8-10[A]	6	D409 026 00	8-10[D]	1	D419 738 00	8-2	21
D408 807 00	8-10[B]	6	D409 026 00	8-10[E]	1	D419 740 00	4-1	41
D408 808 00	8-10[C]	6	D409 026 00	8-10[F]	1	D419 762 00	7-2	17

部品番号順索引

PARTS INDEX

HD85V4

PARTS No.	Sh No.	KEY No.	PARTS No.	Sh No.	KEY No.	PARTS No.	Sh No.	KEY No.
D419 769 00	15-2	23	D458 721 00	8-2	1	D460 163 00	8-2	4
D419 769 00	15-3	14	D458 722 00	8-2	2	D460 164 00	8-2	47
D419 770 00	15-2	43	D458 723 00	8-1	37	D465 313 00	9-2	14
D419 771 00	15-2	46	D458 727 00	8-1	42	D465 314 00	9-2	15
D419 782 00	7-5	22	D458 758 00	7-1	36	D465 318 00	6-2	3
D419 784 00	15-5	16	D458 762 00	11-4	29	D465 319 00	6-2	4
D419 785 00	15-5	17	D458 770 00	8-1	45	D465 358 00	9-3	4
D419 787 00	9-3	7	D458 774 00	8-1	49	D465 380 00	9-2	2
D419 787 00	15-6	11	D458 798 00	8-2	34	D465 381 00	9-2	3
D419 814 00	15-5	18	D458 812 00	15-13	19	D465 382 00	15-4	4
D419 824 00	15-12	3	D458 828 00	15-5	20	D465 383 00	15-4	5
D419 825 00	15-12	5	D458 830 00	15-5	19	D470 868 00	15-12	1
D419 826 00	15-12	6	D458 842 00	8-1	2	D470 869 00	15-12	2
D419 827 00	15-12	7	D458 932 00	11-4	30	D470 893 00	15-12	15
D419 828 00	15-12	8	D458 972 00	7-1	63	D475 052 00	11-1	28
D419 829 00	15-12	9	D458 978 00	12-1	2	D480 009 00	6-2	43
D419 868 00	15-5	4	D458 984 00	8-2	20	D490 057 00	11-1	5
D419 922 00	7-4	22	D458 985 00	8-2	17	D490 101 00	11-1	4
D419 935 00	15-8	2	D458 987 00	8-2	18	D490 284 00	11-1	3
D419 977 00	8-1	29	D458 988 00	8-2	19	D493 439 01	9-3	13
D419 979 00	8-1	38	D458 992 00	8-2	35	D493 529 00	8-3	50
D419 981 00	8-1	40	D458 993 00	8-2	37	D493 530 00	8-3	51
D419 996 00	9-1	25	D458 994 00	8-2	33	D493 626 00	9-3	18
D420 005 00	8-2	27	D458 995 00	8-2	32	D493 641 00	8-3	52
D420 006 00	8-2	28	D458 998 00	8-1	1	D493 671 00	8-3	58
D420 023 00	4-3	17	D460 001 00	7-1	32	D493 686 00	8-3	53
D420 025 00	8-2	45	D460 002 00	7-1	33	D493 694 00	15-4	17
D420 039 00	15-3	30	D460 003 00	7-1	34	D493 732 00	9-3	19
D420 040 00	15-1	6	D460 004 00	7-1	35	D493 753 01	8-4	10
D420 045 00	7-5	6	D460 010 00	8-2	6	D493 753 02	8-4	9
D420 061 00	15-13	14	D460 011 00	8-2	7	D493 794 00	8-3	2
D420 110 00	6-1	19	D460 015 00	8-2	8	D493 798 00	8-3	44
D420 218 00	6-2	12	D460 018 00	8-2	46	D493 799 00	8-3	45
D420 219 00	6-2	11	D460 019 00	8-2	44	D493 800 00	8-3	46
D420 246 00	15-5	27	D460 021 00	15-6	10	D493 830 00	7-1	37
D420 247 00	15-5	28	D460 028 00	9-3	21	D493 832 02	7-1	54
D452 207 00	15-4	3	D460 049 00	8-1	46	D493 832 03	7-1	55
D458 072 00	8-1	24	D460 051 00	8-1	48	D493 832 04	7-1	53
D458 149 00	9-3	3	D460 052 00	8-1	51	D493 841 00	8-3	24
D458 195 00	8-1	23	D460 053 00	8-1	50	D493 842 00	8-3	23
D458 259 00	8-1	5	D460 058 00	8-2	36	D493 848 00	8-3	30
D458 270 00	9-1	1	D460 122 00	8-1	53	D493 853 00	2-1	2
D458 508 00	15-4	6	D460 129 00	8-1	47	D493 854 00	2-1	3
D458 703 00	1-1	10	D460 149 00	8-2	39	D493 855 00	2-1	4
D458 710 00	11-1	27	D460 162 00	8-2	5	D493 870 00	15-5	21

部品番号順索引

PARTS INDEX

HD85V4

PARTS No.	Sh No.	KEY No.	PARTS No.	Sh No.	KEY No.	PARTS No.	Sh No.	KEY No.
D493 871 00	15-5	23	D494 095 00	8-3	43	D515 011 00	1-3	1
D493 872 00	15-5	22	D494 096 00	8-3	60	D528 004 00	9-1	40
D493 951 00	8-3	1	D494 097 00	8-3	61	D528 005 00	9-2	35
D493 952 00	8-3	3	D494 098 00	7-1	72	D528 006 00	9-2	18
D493 953 00	8-3	4	D494 099 00	7-1	73	D550 063 00	7-4	8
D493 961 00	8-3	40	D494 100 00	5-6	18	D551 009 01	15-4	18
D493 963 00	8-3	41	D494 101 00	8-3	62	D551 009 02	15-4	19
D493 965 00	8-3	42	D494 102 00	8-3	17	D551 009 03	15-4	20
D493 966 00	8-3	39	D494 108 01	8-3	63	D551 009 08	8-3	34
D493 969 00	8-3	59	D494 108 01	8-3	63	D551 009 09	8-3	14
D493 971 00	7-1	38	D494 108 02	8-3	8	D551 009 11	8-3	35
D493 972 00	7-1	64	D495 808 00	6-3	17	D551 009 13	8-3	36
D493 973 00	7-1	44	D495 843 00	6-2	32	D551 009 17	8-3	37
D493 974 00	7-1	62	D495 880 00	6-1	11	D551 009 18	8-3	12
D493 983 00	8-3	27	D495 881 00	6-1	12	D551 009 19	8-3	13
D493 984 00	8-3	28	D495 903 00	6-2	13	D551 010 01	15-4	21
D493 989 00	2-1	5	D4K0 018 00	8-10	2	D551 010 02	15-4	22
D493 995 00	8-3	5	D4K0 018 00	8-10[A]	2	D580 184 00	4-3	9
D493 996 00	8-3	6	D4K0 018 00	8-10[B]	2	D580 195 00	4-4	29
D493 999 00	8-3	9	D4K0 018 00	8-10[C]	2	D580 195 00	4-4[A]	29
D494 000 00	8-3	10	D4K0 018 00	8-10[D]	2	D580 195 00	4-4[B]	29
D494 001 00	8-3	11	D4K0 018 00	8-10[E]	2	D580 201 00	4-3	18
D494 003 00	8-3	25	D4K0 018 00	8-10[F]	2	D580 202 00	11-4	31
D494 004 00	8-3	26	D4K0 018 00	8-10[G]	2	D580 211 00	8-2	9
D494 005 00	8-3	29	D4K0 036 00	8-10	28	D581 204 00	8-8	5
D494 006 00	8-3	38	D4K0 036 00	8-10[A]	32	D584 151 00	7-2	2
D494 008 00	2-1	6	D4K0 036 00	8-10[B]	32	D591 717 01	9-1	20
D494 010 00	8-3	47	D4K0 036 00	8-10[C]	32	D591 718 05	9-1	16
D494 012 00	8-3	48	D4K0 036 00	8-10[D]	32	D591 866 01	9-1	17
D494 013 00	8-3	31	D4K0 036 00	8-10[E]	32	D592 206 00	9-2	44
D494 014 00	8-3	32	D4K0 036 00	8-10[F]	32	D592 309 00	9-3	20
D494 016 00	8-3	22	D4K0 036 00	8-10[G]	32	D592 436 00	8-4	14
D494 017 00	8-3	18	D4K6 050 00	8-10	7	D592 518 00	15-9	1
D494 018 00	8-3	19	D4K6 050 00	8-10[A]	33	D592 535 00	15-5	1
D494 019 00	8-3	20	D4K6 050 00	8-10[B]	33	D592 540 00	15-2	32
D494 020 00	8-3	21	D4K6 050 00	8-10[C]	33	D592 567 00	15-10	14
D494 021 00	8-3	33	D4K6 050 00	8-10[D]	33	D592 575 00	7-5	5
D494 022 00	8-3	15	D4K6 050 00	8-10[E]	33	D592 588 00	9-1	42
D494 023 00	8-3	16	D4K6 050 00	8-10[F]	33	D592 598 00	9-1	14
D494 042 00	7-5	7	D4K6 050 00	8-10[G]	33	F300 684 01	1-3	10
D494 090 00	8-3	56	D501 057 00	6-1	24	F300 684 02	1-3	10-1
D494 091 00	8-3	54	D501 058 00	6-1	29	F300 686 00	1-4	0
D494 092 00	8-3	55	D501 075 00	6-3	14	F300 687 00	1-4	0-1
D494 093 00	8-3	49	D501 076 00	6-1	25	F301 051 00	1-3	0
D494 094 00	8-3	57	D514 019 00	1-3	4	F301 088 00	12-1	0

部品番号順索引

PARTS INDEX

HD85V4

PARTS No.	Sh No.	KEY No.	PARTS No.	Sh No.	KEY No.	PARTS No.	Sh No.	KEY No.
F311 411 00	2-1	0	F361 791 00	9-2	0-1	Y119225 52102	0-0	31
F320 277 00	3-1	0	F361 813 00	6-1	0-1	Y119225 52102	7-4	47
F320 279 00	2-1	0-1	F361 813 00	8-2	0-1	Y119761 39450	0-0	36
F330 763 00	7-3	0	F361 813 00	8-3	0-1	Y121256 44600	7-1	69
F330 765 00	7-1	0-1	F366 792 00	15-10	0	Y121850 49550	0-0	35
F330 767 00	7-1	0	F366 959 00	9-1	0-2	Y121850 49811	0-0	34
F330 767 00	7-2	0	F367 000 00	9-1	0	Y124450 44550	7-1	68
F337 348 00	7-4	0	F373 245 00	8-3	0-2	Y129150 35153	0-0	30
F337 349 00	7-4	0-1	F373 245 00	8-9	0	Y129927 77900	9-1	53
F337 350 00	7-5	0	F377 855 00	8-10	0-1	Y129927 77920	9-1	54
F340 892 00	1-7	0	F377 855 00	8-10[A]	0-1	Y129956 42290	0-0	32
F342 889 00	5-6	0	F377 855 00	8-10[B]	0-1	Y129A00 55600	7-4	45
F342 892 00	12-2	0	F377 855 00	8-10[C]	0-1	Y129A00 55730	0-0	29
F342 893 00	15-7	0	F377 855 00	8-10[D]	0-1	Y129A00 55800	0-0	28
F342 894 00	11-4	0	F377 855 00	8-10[E]	0-1	Y129A00 55800	7-4	45-1
F342 900 00	4-1	0	F377 855 00	8-10[F]	0-1	Y129E00 55700	7-4	46
F342 900 00	4-2	0	F377 855 00	8-10[G]	0-1	Y171056 49351	0-0	37
F342 900 00	4-3	0	F377 856 00	8-10	0-2	Y171064 44510	7-1	67
F342 900 00	11-4	0-1	F378 055 00	8-10	0-3	Y198461 52950	9-1	55
F342 900 00	12-2	0-1	F378 113 00	8-10	0	Y1A6382 51510	9-1	58
F342 902 00	4-4	0	F378 113 00	8-10[A]	0	ZG10100	0-0	41
F342 902 00	4-4[A]	0	F378 113 00	8-10[B]	0			
F342 902 00	4-4[B]	0	F378 113 00	8-10[C]	0			
F342 902 00	6-1	0	F378 113 00	8-10[D]	0			
F342 902 00	6-3	0	F378 113 00	8-10[E]	0			
F342 903 00	15-1	0	F378 113 00	8-10[F]	0			
F342 903 00	15-2	0	F378 113 00	8-10[G]	0			
F342 903 00	15-3	0	F380 515 00	10-1	0			
F342 916 00	15-13	0	F385 402 00	15-11	0			
F355 206 00	8-8	0-1	F385 455 00	15-5	0			
F355 329 00	8-8	0	F385 457 00	15-4	0			
F355 347 00	15-12	0-1	F385 458 00	15-6	0			
F355 348 00	15-12	0	F388 129 01	11-3	0-5			
F355 375 00	9-1	0-1	F388 129 02	11-3	0-1			
F355 387 00	15-8	0	F388 129 04	11-3	0-3			
F355 391 00	8-4	0	F388 130 01	11-3	0-7			
F355 392 00	8-5	0	F388 155 01	11-3	0			
F355 392 00	8-6	0	F388 156 01	11-3	0-4			
F355 392 00	8-7	0	F388 164 01	11-3	0-6			
F355 403 00	8-1	0	F388 219 01	11-3	0-2			
F355 403 00	8-2	0	F388 426 00	11-1	0			
F355 403 00	8-3	0	F388 428 00	11-1	0-1			
F355 418 00	9-3	0	F388 429 00	4-3	0-1			
F361 706 00	9-2	0	F388 429 00	11-2	0			
F361 782 00	6-2	0	F432 331 00	15-9	0			