



CRAWLER CRANE

QUY260

Load capacity chart

QUY260CR/20.1

2014.6

The operating manual is part of the crane !

Always keep on hand !

**Comply with road travel and crane operating
regulations !**

**Changsha Zoomlion Heavy Industry Science &
Technology Development Co., Ltd.**

QY260/F20Y

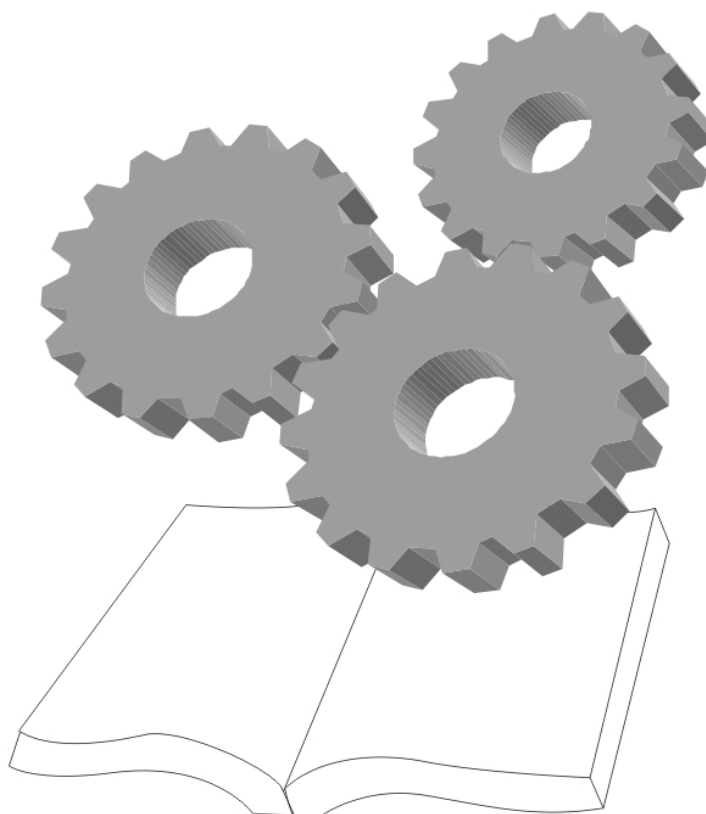
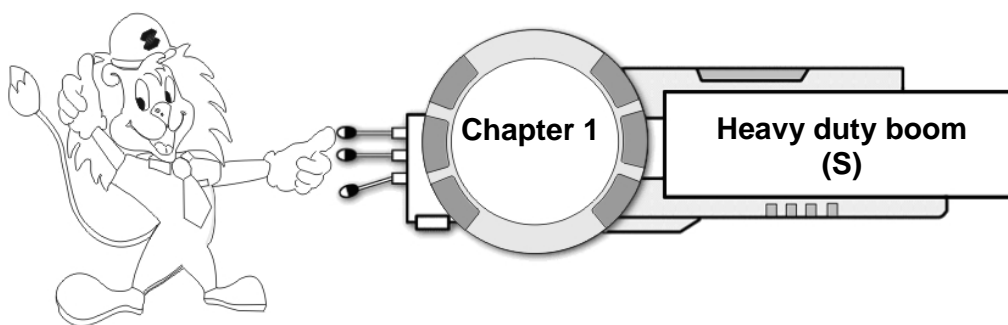
ZOOMLION® Crawler Crane

QY260

QY260/F20Y

Contents

1 Heavy duty boom (S).....	0066340-200-20-20Y
2 Light duty boom (SL).....	0066340-200-21-20Y
3 Luffing jib on heavy duty boom (SW).....	0066340-200-22-20Y
4 Fixed jib on heavy duty boom (SF).....	0066340-200-23-20Y
5 Heavy fixed jib on heavy duty boom (SFV).....	0066340-200-24-20Y



ZOOMLION

⚠ Note: The lifting capacity is given in “(lb)×1000”, and “*/**” indicates “lifting capacity/radius”. The lifting capacities whose background colors are grey are determined by strength of boom frame; while those whose background color are white depend on the stability of the machine.

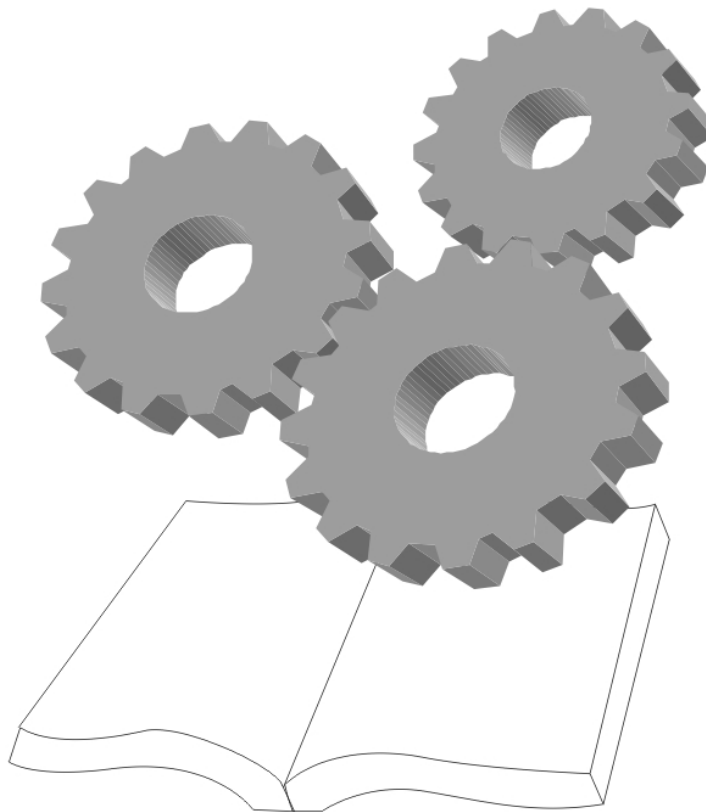
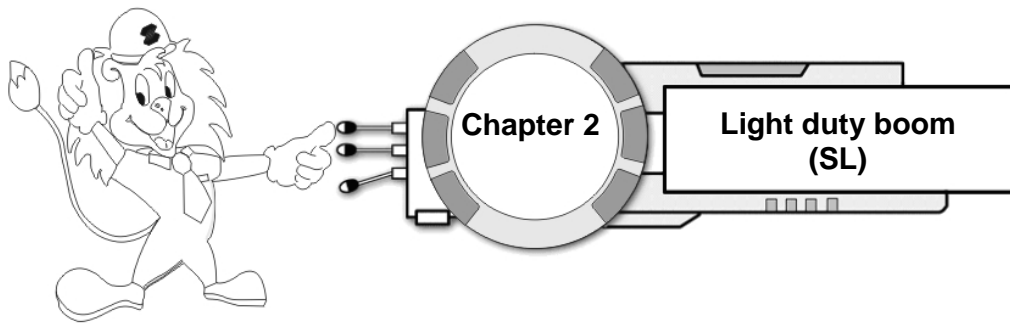
S-boom length (ft)	(65'7")	(75'5")	(85'3")	(95'1")	(104'11")	(114'9")	(124'7")	(134'5")	(144'3")	(154'1")	(164'0")	S-boom length (ft)	
Radius (ft)												Radius (ft)	
(16'4")	573.3											(16'4")	
(19'8")	500.5	442.8	425.8	405.7								(19'8")	
(22'11")	420.5	420.1	416.7	383.7	359.4	355.0						(22'11")	
(26'2")	385.9	367.4	362.7	358.3	349.3	328.5	328.5	297.7	260.2			(26'2")	
(29'6")	296.8	296.6	296.6	296.1	296.1	295.9	295.7	273.4	247.0	247.0		(29'6")	
(32'9")	291.1	286.7	282.2	277.6	273.2	268.8	268.8	264.2	242.6	242.6	224.9	(32'9")	
(39'4")	226.9	226.5	226.0	225.4	224.9	224.0	219.4	215.0	215.0	210.6	205.9	(39'4")	
(45'11")	183.0	183.0	182.6	182.1	181.9	181.3	181.0	180.8	179.3	179.3	174.6	(45'11")	
(52'5")	152.4	152.1	151.7	151.5	151.5	151.0	151.0	150.8	150.8	150.6	150.6	(52'5")	
(59'0")	130.3	130.1	129.9	129.4	129.2	129.2	129.2	129.2	129.2	129.2	129.0	(59'0")	
(65'7")		113.6	113.3	113.3	113.3	113.3	113.3	112.9	112.7	112.5	112.0	(65'7")	
(72'1")			100.5	100.5	100.3	100.3	100.1	99.9	99.4	99.2	98.8	(72'1")	
(78'8")			89.7	89.7	89.7	89.5	89.1	88.9	88.6	88.4	88.0	(78'8")	
(85'3")				80.7	80.7	80.7	80.5	80.3	79.8	79.6	79.2	(85'3")	
(91'10")					73.2	73.2	73.0	72.5	72.3	72.1	71.9	(91'10")	
(98'4")						66.8	66.8	66.6	66.2	65.9	65.3	(98'4")	
(104'11")							61.5	61.1	60.9	60.6	60.4	60.0	(104'11")
(111'6")								56.4	56.2	55.8	55.6	54.9	(111'6")
(118'0")									51.8	51.6	50.7	50.3	(118'0")
(124'7")										47.8	47.2	46.5	(124'7")
(131'2")										44.1	43.7	42.8	(131'2")
(137'9")											40.4	39.7	(137'9")
(144'3")												36.8	(144'3")

S-boom length (ft)	(173'10")	(183'8")	(193'6")	(203'4")	(213'2")	(223'0")	(232'10")	(242'8")	(252'6")	(262'4")	(272'2")	S-boom length (ft)
Radius (ft)												Radius (ft)
(32'9")	216.1	189.6										(32'9")
(39'4")	205.9	187.4	183	176.4	154.4	149.9	134.3	122.2	110.9			(39'4")
(45'11")	174.6	170.2	170.2	154.4	152.1	146.6	130.5	118.6	108	95.3	86.9	(45'11")
(52'5")	147.7	147.7	147.7	143.3	143.3	141.1	126.6	115.1	104.5	92.4	83.8	(52'5")
(59'0")	128.6	128.3	127.9	126.1	124.8	123.3	120.8	111.1	98.6	89.5	81.1	(59'0")
(65'7")	111.8	111.4	110.9	110.7	108.9	107.8	106.7	105.2	95.7	86.9	78.9	(65'7")
(72'1")	98.3	98.1	97.9	97.2	96.6	95.5	94.2	92.8	91.5	84	76.1	(72'1")
(78'8")	87.8	87.1	86.9	86.7	86.2	84.9	83.8	82.5	81.6	80.5	73.6	(78'8")
(85'3")	78.7	78.5	78.1	77.6	76.7	76.1	75.4	74.1	73.2	71.9	70.8	(85'3")
(91'10")	71.4	71	70.1	69.5	68.8	67.9	67.3	66.4	65.5	64.6	63.7	(91'10")
(98'4")	65	64.4	63.5	62.6	62	61.3	60.2	59.5	58.9	58	57.1	(98'4")
(104'11")	58.4	58.4	57.6	56.9	55.8	55.1	54.2	53.8	52.7	52	51.4	(104'11")
(111'6")	54	53.4	52.5	51.8	50.7	50.1	49.4	48.3	47.6	47	46.3	(111'6")
(118'0")	49.6	48.7	47.8	47.2	46.5	45.4	44.8	44.1	43.2	42.3	41.7	(118'0")
(124'7")	45.2	44.8	44.1	43	42.3	41.7	40.8	39.9	39.2	38.4	37.7	(124'7")
(131'2")	41.9	41.2	40.4	39.7	39	37.9	37.3	36.6	35.5	34.8	34.2	(131'2")
(137'9")	38.8	37.9	37.3	36.6	35.5	34.8	34.2	33.1	32.4	31.8	30.9	(137'9")
(144'3")	35.9	35.1	34.4	33.5	32.6	32	31.1	30.4	29.5	28.9	28.7	(144'3")
(150'10")	33.3	32.6	31.8	30.9	30.2	29.3	28.4	27.8	27.3	26.9	26.5	(150'10")
(157'5")		30.2	29.5	28.4	27.8	27.1	26	25.8	25.4	24.9	24.3	(157'5")
(164'0")		28	27.3	26.2	25.6	24.9	24.3	24	23.6	23.2	22.1	(164'0")
(170'6")			25.1	24.5	23.6	22.7	22.7	22.3	21.8	21.4	20.5	(170'6")
(177'1")				22.5	21.8	20.9	20.1	20.7	20.3	19.6	18.7	(177'1")
(183'8")					20.1	19.6	19.4	19.2	18.7	18.1	18.1	(183'8")
(190'2")					18.5	17.6	18.3	17.9	17.4	16.8	16.1	(190'2")
(196'9")						16.3	17	16.5	16.1	15.4	14.6	(196'9")

S-boom length (ft)	(173'10")	(183'8")	(193'6")	(203'4")	(213'2")	(223'0")	(232'10")	(242'8")	(252'6")	(262'4")	(272'2")	S-boom length (ft)
Radius (ft)												Radius (ft)
(203'4")							15.9	15.4	15	14.3	13.7	(203'4")
(209'11")								14.3	13.9	13.2	12.3	(209'11")
(216'5")								12.6	12.8	12.1	11.2	(216'5")
(223'0")									11.5	11.2	10.1	(223'0")
(229'7")										10.4	9.9	(229'7")
(236'1")											8.4	(236'1")

**Note:**

1. When tip boom is used, the lifting capacity on tip boom is the same as that on main boom head within the same radius, but it can not exceed 55.1×1000 lb.
2. Whether the tip boom is used or not, the lifting capacity on main boom is the same ;
3. Load hook attached on tip boom can not work together with that on main boom head.



ZOOMLION

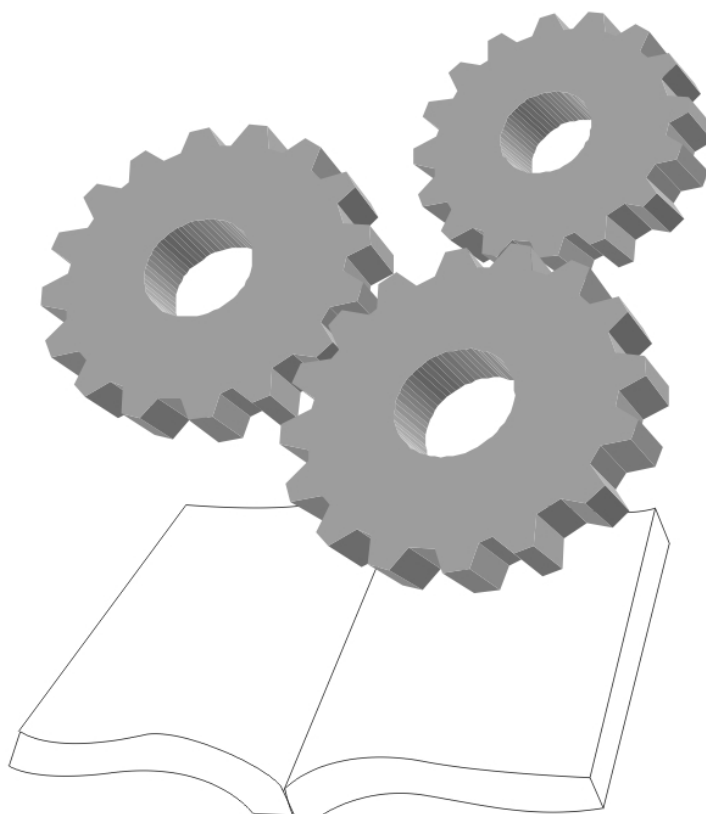
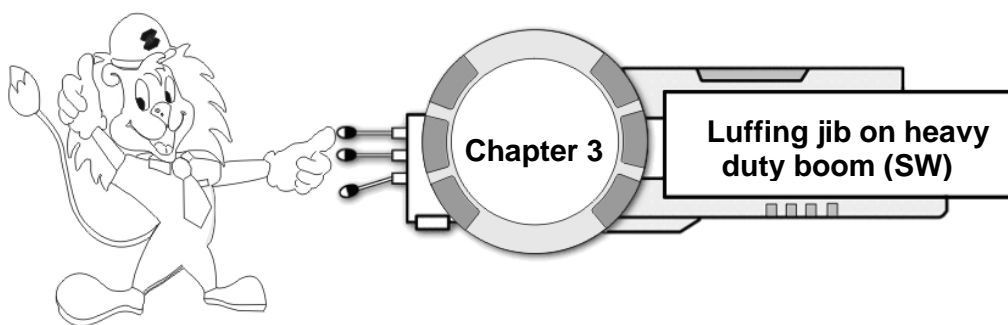


Note: The lifting capacity is given in “(lb)×1000”, and “*/” indicates “lifting capacity/radius”. The lifting capacities whose background colors are grey are determined by strength of boom frame; while those whose background color are white depend on the stability of the machine.

Radius (ft)	SL-boom length (ft)					Radius (ft)
	(282'0")	(291'11")	(301'9")	(311'7")		
(52'5")	68.1 / (53' 5")	62.0 / (55' 5")	55.8 / (57' 0")			(52'5")
(59'0")	66.2	60.2	54.9	46.3		(59'0")
(65'7")	65.9	57.1	52.9	45		(65'7")
(72'1")	61.5	54.2	50.3	43.4		(72'1")
(78'8")	59.5	52.7	47.8	41.9		(78'8")
(85'3")	57.6	50.7	45.4	39.7		(85'3")
(91'10")	55.6	48.5	43.7	37.5		(91'10")
(98'4")	50.9	46.3	42.3	35.3		(98'4")
(104'11")	46.7	44.8	40.4	34.8		(104'11")
(111'6")	42.8	41	39	31.8		(111'6")
(118'0")	39.2	37.7	36.4	28.7		(118'0")
(124'7")	35.9	34.6	34.6	26.2		(124'7")
(131'2")	32.9	32.2	32	23.8		(131'2")
(137'9")	30.4	29.8	29.5	21.6		(137'9")
(144'3")	28	27.3	27.1	19.8		(144'3")
(150'10")	25.8	25.4	25.1	18.1		(150'10")
(157'5")	23.8	23.2	22.9	16.3		(157'5")
(164'0")	21.8	21.2	20.9	14.8		(164'0")
(170'6")	20.1	19.4	19.2	13.2		(170'6")
(177'1")	18.5	17.9	17.6	11.7		(177'1")
(183'8")	17	16.3	16.1	10.6		(183'8")
(190'2")	15.7	14.8	14.6	9.5		(190'2")
(196'9")	14.3	13.5	13.2	8.4		(196'9")
(203'4")	13	12.3	12.1	7.3		(203'4")
(209'11")	11.9	11.2	11	6.4		(209'11")
(216'5")	11	10.1	9.9	6		(216'5")
(223'0")	9.9	8.8	8.6	5.7		(223'0")
(229'7")	9	7.5	6.2	5.5		(229'7")
(236'1")	8.2	6.2	6	5.3		(236'1")
(242'8")	7.5	6	5.7	5.1		(242'8")
(249'3")		5.7	5.5	5.1		(249'3")
(255'10")		5.5	5.3	4.9		(255'10")
(262'4")			4.9	4.6		(262'4")
(268'11")				4.4		(268'11")

 **Note:**

1. Load hook attached on tip boom can not work together with that on light boom head (luffing jib head).
2. When tip boom is used, the lifting capacity on tip boom is the same as that on light boom head within the same radius, but it can not exceed 27.6×1000 lb.



ZOOMLION



Note: The lifting capacity is given in “(lb)×1000”, and “*/*” indicates “lifting capacity/radius”. The lifting capacities whose background colors are grey are determined by strength of boom frame.

When S-boom angle is 85°, the W-luffing jib angle can be adjusted from 15° to 75°;

When S-boom angle is 75°, the W-luffing jib angle can be adjusted from 15° to 65°;

When S-boom angle is 65°, the W-luffing jib angle can be adjusted from 15° to 55°;

The W-luffing jib angle should be kept at least 10° smaller than the S-boom angle.



Note: When S-boom angle varies from 65° to 75° or 75° to 85°, we should determine the corresponding smaller value in the chart as the rated lifting capacity. In order to give full play to the crane's performance, please operate the crane under the operating conditions with three prescribed boom angles.



Note: Under this boom configuration with S-boom angle of 85°: when W-luffing jib angle exceeds 60°, the luffing jib with a load should not be raised/lowered at high speed. And the load should be the min. lifting capacity under this boom configuration; otherwise the luffing jib is liable to overturning. Before the load is detached from the load hook, lower the luffing jib to a position (less than 60°). In other words, lower the luffing fly jib to 60° by the pulling force of load.

0066340-200-22-20Y

S-boom length (ft)	(75'5")																					S-boom length (ft)
W-Luffing jib length (ft)	(68'10")			(78'8")			(88'6")			(98'4")			(108'2")			(118'0")			(127'11")			W-Luffing jib length (ft)
Radius (ft)	S-boom angle (°)																					Radius (ft)
	85	75	65	85	75	65	85	75	65	85	75	65	85	75	65	85	75	65	85	75	65	
(36'0")	162.1																					(36'0")
(39'4")	161.0			158.8			150.2															(39'4")
(45'11")	156.6			152.6			137.8			132.1			123.5									(45'11")
(52'5")	149.9			142.4			126.1			122.8			116.9			105.2			91.7			(52'5")
(59'0")	130.5	116.9		127.9			115.5			114.0			108.9			101.4			89.1			(59'0")
(65'7")	112.2	116.2		114.4			104.1			103.6			101.9			97.2			86.2			(65'7")
(72'1")	86.9	99.7		97.7	99.2		90.0			89.7			89.5			88.2			80.7			(72'1")
(78'8")		88.9		79.8	88.4		78.1	90.6		77.6	90.4		77.4			77.2			72.3			(78'8")
(85'3")		82.5	83.1	158.8	82.5		62.8	82.0		62.6	82.0		61.7	81.6		61.7	81.1		61.7	71.0		(85'3")
(91'10")		75.4	76.1		75.2	76.1	150.2	75.0		54.7	74.7		123.5	72.5		54.2	72.3		54.2	70.6		(91'10")
(98'4")		71.4	70.1		69.2	69.7		68.8	69.7	49.6	68.6		116.9	66.4		49.6	66.2		48.1	66.2		(98'4")
(104'11")			65.0		64.8	64.6		64.2	64.6	132.1	64.2	64.2	108.9	63.9	64.2	105.2	61.7		44.1	61.7		(104'11")
(111'6")						60.2		61.5	60.2		61.1	59.8	101.9	61.1	59.8	101.4	58.7	59.5	91.7	58.2		(111'6")
(118'0")								57.3	56.2		56.9	56.0		56.4	56.0	97.2	56.0	55.6	89.1	54.7	55.3	(118'0")
(124'7")									52.5		53.6	52.5		53.6	52.5	88.2	53.6	52.3	86.2	51.4	51.8	(124'7")
(131'2")												49.4		50.5	49.4		50.1	49.2	80.7	48.1	48.7	(131'2")
(137'9")															46.3		45.0	46.3	72.3	45.0	46.1	(137'9")
(144'3")														43.9			43.9			42.6	43.7	(144'3")
(150'10")																	41.5			36.2	41.5	(150'10")
(157'5")																					39.0	(157'5")
(164'0")																						(164'0")

0066340-200-22-20Y

S-boom length (ft)	(75'5")																					S-boom length (ft)
W-Luffing jib length (ft)	(137'9")			(147'7")			(157'5")			(167'3")			(177'1")			(186'11")			(196'9")			W-Luffing jib length (ft)
Radius (ft)	S-boom angle (°)																					Radius (ft)
	85	75	65	85	75	65	85	75	65	85	75	65	85	75	65	85	75	65	85	75	65	
(59'0")	78.1			68.4			57.3			50.1												(59'0")
(65'7")	76.3			65.0			55.8			49.0			42.8			37.7						(65'7")
(72'1")	74.3			61.3			54.7			47.6			41.5			36.4			29.3			(72'1")
(78'8")	68.8			57.8			53.1			46.1			40.4			35.3			28.4			(78'8")
(85'3")	61.3			55.1			51.8			45.0			39.2			33.5			27.6			(85'3")
(91'10")	54.2	70.1		51.6	56.4		49.4			43.9			38.1			32.2			26.9			(91'10")
(98'4")	48.1	65.9		47.6	55.1		46.1	44.5		42.3			37.0			30.6			26.0			(98'4")
(104'11")	43.7	61.5		43.2	54.0		42.3	43.9		40.1	37.9		35.9	31.8		29.1			25.4			(104'11")
(111'6")	40.1	57.3		39.2	51.6		38.8	43.2		37.0	37.0		34.4	30.6		28.4	28.9		24.5			(111'6")
(118'0")	36.6	54.0		36.2	48.5		35.7	42.1		34.2	36.2		33.1	30.0		27.8	28.0		23.8	25.1		(118'0")
(124'7")	34.4	50.5	51.8	33.5	45.2		33.3	40.8		32.2	35.3		31.5	29.1		27.1	27.3		23.4	24.5		(124'7")
(131'2")	32.9	47.6	48.7	31.3	42.8	41.2	30.9	39.2		30.4	34.4		30.0	28.2		26.5	26.9		22.7	23.6		(131'2")
(137'9")	31.3	45.0	46.1	30.4	39.9	38.8	30.0	37.3	38.4	29.1	33.1		28.0	27.1		25.6	26.2		22.1	23.2		(137'9")
(144'3")	30.0	42.3	43.7	30.0	37.7	36.8	29.1	35.3	36.6	28.4	32.0	34.4	26.5	25.8		23.8	25.4		21.2	22.7		(144'3")
(150'10")		39.9	41.2	29.5	35.3	34.6	28.7	33.1	34.6	26.7	30.4	32.4	24.7	24.5	28.0	22.5	24.5	19.0	20.5	22.1		(150'10")
(157'5")			39.0		33.3	33.1	27.6	30.6	33.1	24.9	28.2	30.6	23.4	23.4	26.7	21.2	23.6	17.2	19.4	21.6	16.3	(157'5")
(164'0")			37.0		32.4	31.5	25.1	28.4	31.1	23.6	25.8	28.9	22.1	22.3	24.9	20.1	22.5	15.7	18.5	20.7	15.0	(164'0")
(170'6")			35.3			30.0		26.5	28.9	22.9	24.5	27.1	20.9	20.9	22.5	19.0	21.4	14.1	17.4	19.4	13.9	(170'6")
(177'1")						28.4		25.1	26.9		23.6	25.1	20.1	20.3	20.1	17.9	20.1	13.5	16.3	18.1	13.0	(177'1")
(183'8")								24.5		22.7	22.9	19.4	19.2	19.2	17.0	19.0	12.6	15.7	16.8	12.6		(183'8")
(190'2")								23.2			21.6		18.5	18.3	16.1	17.6	11.9	14.6	16.3	12.1		(190'2")

0066340-200-22-20Y

S-boom length (ft)	(75'5")																					S-boom length (ft)	
W-Luffing jib length (ft)	(137'9")	(147'7")	(157'5")	(167'3")	(177'1")	(186'11")	(196'9")	W-Luffing jib length (ft)															
Radius (ft)	S-boom angle (°)																					Radius(ft)	
	85	75	65	85	75	65	85	75	65	85	75	65	85	75	65	85	75	65	85	75	65		
(196'9")													20.5			17.2		17.2	11.2	13.9	15.7	11.2	(196'9")
(203'4")																16.3		16.3	10.8	13.2	14.6	10.8	(203'4")
(209'11")																15.7			10.1		13.9	10.1	(209'11")
(216'5")																			9.7			9.5	(216'5")
(223'0")																						9.0	(223'0")

S-boom length (ft)	(85'3")																				S-boom length (ft)								
W-Luffing jib length (ft)	(68'10")				(78'8")				(88'6")				(98'4")				(108'2")				(118'0")				(127'11")				W-Luffing jib length (ft)
Radius(ft)	S-boom angle (°)																				Radius (ft)								
	85	75	65	85	75	65	85	75	65	85	75	65	85	75	65	85	75	65	85	75		65							
(39'4")	161.0			158.8			150.2															(39'4")							
(45'11")	155.5			152.1			137.2				131.9			124.4								(45'11")							
(52'5")	145.1			141.6			125.7				122.6			118.0				106.5			91.7	(52'5")							
(59'0")	130.1			127.9			112.9				112.2			109.8				102.5			89.3	(59'0")							
(65'7")	111.4	115.1		110.7	114.7		100.5				100.1			99.9				97.5			87.8	(65'7")							
(72'1")	86.9	99.4		86.9	98.3		86.9	97.5			86.9			86.9				86.9			82.0	(72'1")							
(78'8")		88.4		81.1	87.8		75.0	87.3			74.5	86.9		73.9	86.4			73.6			74.1	(78'8")							
(85'3")		78.9	82.2		78.5		62.8	76.7			62.6	75.4		62.6	75.2			62.4	75.4		62.4	75.0	(85'3")						
(91'10")		71.0	75.2		70.8	75.0	56.9	69.7			52.9	69.7		52.5	69.5			52.0	69.5		52.5	69.5	(91'10")						
(98'4")			69.5		68.6	69.0	53.8	66.4	69.0		49.4	66.2		49.2	66.2			48.7	66.2		48.1	66.2	(98'4")						
(104'11")			64.2		66.2	63.9		64.4	63.9	48.5	64.4	63.5	48.1	63.1			47.2	63.1		45.4	63.1		(104'11")						
(111'6")						59.8		61.7	59.5		61.7	59.5	45.9	60.4	59.1	44.1	60.4		42.8	60.0			(111'6")						
(118'0")						55.6			55.6		57.8	55.3	41.5	57.3	55.3	41.2	57.3	54.9	41.0	56.4			(118'0")						
(124'7")								52.3			51.8	51.8		54.0	51.8	40.6	54.0	51.6	40.6	53.6	51.2		(124'7")						
(131'2")												48.7		50.7	48.7		50.5	48.5	39.9	50.5	48.5		(131'2")						
(137'9")												46.1			46.1		47.6	45.6		47.6	45.6		(137'9")						
(144'3")															43.7			43.2		45.0	43.2		(144'3")						
(150'10")																		41.2		41.7	40.8		(150'10")						
(157'5")																			39.0			38.8	(157'5")						
(164'0")																						37.0	(164'0")						

0066340-200-22-20Y

S-boom length (ft)	(85'3")																					S-boom length (ft)
W-Luffing jib length (ft)	(137'9")			(147'7")			(157'5")			(167'3")			(177'1")			(186'11")			(196'9")			W-Luffing jib length (ft)
Radius (ft)	S-boom angle (°)																					Radius (ft)
	85	75	65	85	75	65	85	75	65	85	75	65	85	75	65	85	75	65	85	75	65	
(59'0")	77.8			65.5			57.6															(59'0")
(65'7")	75.9			64.2			56.0			49.0			43.0			37.9						(65'7")
(72'1")	73.6			62.6			54.7			47.6			41.7			36.6			29.3			(72'1")
(78'8")	71.2			61.3			53.4			46.3			40.6			34.8			28.4			(78'8")
(85'3")	66.4			59.1			52.0			45.2			39.5			33.3			27.6			(85'3")
(91'10")	59.1	68.8		55.6			50.7			44.1			38.4			31.8			26.9			(91'10")
(98'4")	52.9	65.3		52.5	60.2		49.6	51.8		43.0			37.3			30.4			26.2			(98'4")
(104'11")	49.0	62.2		47.8	58.9		47.6	50.5		41.9	44.1		36.2			29.3			25.1			(104'11")
(111'6")	45.0	58.7		45.0	56.9		44.8	49.6		40.6	43.0		34.8	37.3		28.7	30.9		24.5			(111'6")
(118'0")	41.5	55.3		41.5	54.5		41.5	48.5		39.2	41.9		33.7	36.2		28.0	29.3		23.8	25.4		(118'0")
(124'7")	39.7	53.1	51.2	38.8	52.0		38.6	47.6		37.7	40.8		32.9	35.3		27.3	28.4		22.9	24.3		(124'7")
(131'2")	36.6	50.1	48.1	36.2	48.3	47.6	35.9	44.5		35.3	39.2		31.3	34.4		26.7	27.8		22.3	23.8		(131'2")
(137'9")	33.1	47.4	45.2	33.1	45.0	45.2	32.6	41.0	45.0	32.6	37.7		27.8	33.7		25.6	27.1		21.6	23.4		(137'9")
(144'3")		44.8	43.0	30.4	41.9	42.6	30.0	38.4	42.6	28.4	35.7	40.4	26.2	32.2		24.0	26.5		20.9	23.2		(144'3")
(150'10")		41.9	40.8	26.9	39.5	40.6	26.9	35.7	40.1	27.1	34.0	39.2	24.7	30.4	34.0	22.7	26.0		20.1	22.3		(150'10")
(157'5")		39.2	38.8		37.3	38.4	26.5	33.5	38.1	25.6	32.0	36.6	23.4	26.7	32.6	21.4	24.5	26.9	19.2	21.8		(157'5")
(164'0")			36.6		35.3	36.6	26.0	28.0	35.9	24.0	26.9	34.2	22.3	25.1	30.6	20.1	23.2	26.2	18.3	20.9	21.2	(164'0")
(170'6")			35.1		33.7	35.1		26.7	34.0	22.7	25.1	32.2	20.9	23.8	26.9	19.2	21.6	22.9	17.4	19.8	20.5	(170'6")
(177'1")			33.3			33.3		28.2	32.2		24.0	30.4	20.1	22.5	24.5	18.1	20.5	22.3	16.5	18.7	19.6	(177'1")
(183'8")						32.0			30.4		22.7	25.6	19.2	21.4	23.4	17.2	19.4	20.9	15.7	17.6	18.5	(183'8")
(190'2")									26.9		21.6	24.3		20.3	22.3	16.3	18.5	19.6	14.8	17.0	17.6	(190'2")

S-boom length (ft)	(85'3")																					S-boom length (ft)	
W-Luffing jib length (ft)	(137'9")			(147'7")			(157'5")			(167'3")			(177'1")			(186'11")			(196'9")			W-Luffing jib length (ft)	
Radius(ft)	S-boom angle (°)																					Radius (ft)	
	85	75	65	85	75	65	85	75	65	85	75	65	85	75	65	85	75	65	85	75	65		
(196'9")													23.2		19.4	21.2		17.4	18.7	13.9	15.9	16.8	(196'9")
(203'4")													22.3			20.3		16.5	17.9	13.2	15.0	15.9	(203'4")
(209'11")																19.2		15.7	17.0		14.3	15.2	(209'11")
(216'5")																			16.3		13.5	14.3	(216'5")
(223'0")																			15.7			13.9	(223'0")
(229'7")																						13.2	(229'7")

S-boom length (ft)	(95'1")																				S-boom length (ft)		
W-Luffing jib length (ft)	(68'10")			(78'8")			(88'6")			(98'4")			(108'2")			(118'0")			(127'11")			W-Luffing jib length (ft)	
Radius(ft)	S-boom angle (°)																				Radius (ft)		
	85	75	65	85	75	65	85	75	65	85	75	65	85	75	65	85	75	65	85	75		65	
(39'4")	161.0			158.8																		(39'4")	
(45'11")	156.1			155.7			150.2			132.1			126.3									(45'11")	
(52'5")	149.9			146.2			137.8			123.5			119.1			106.9			92.4			(52'5")	
(59'0")	135.8			135.2			126.1			114.9			110.9			103.0			90.0			(59'0")	
(65'7")	119.3	116.2		118.8			117.5			106.5			103.6			98.6			87.5			(65'7")	
(72'1")	97.9	103.6		104.3	103.6		107.6			97.0			96.8			91.5			84.5			(72'1")	
(78'8")	74.5	93.3		93.7	93.3		97.2	92.8		83.8	92.8		90.2			86.2			81.6			(78'8")	
(85'3")		84.7		74.5	84.7		88.2	84.7		73.0	84.2		83.6	83.8		81.6	83.8		78.1			(85'3")	
(91'10")		77.6	69.0	54.2	77.4		73.0	77.4		66.2	77.0		75.6	77.0		75.0	76.7		74.1	71.7		(91'10")	
(98'4")		71.4	63.5		71.4	63.3	56.4	71.2		67.0	71.2		69.2	70.8		68.6	70.8		67.9	70.6		(98'4")	
(104'11")			58.7		65.9	58.4		65.9	60.2	56.9	65.9		63.7	65.7		63.3	65.7		60.0	65.3		(104'11")	
(111'6")			54.7			54.2		61.5	55.8		61.1	53.1	56.4	61.1		56.7	60.9		55.3	59.3		(111'6")	
(118'0")						50.3		57.3	52.0		57.3	49.4	45.4	57.1	50.7	52.7	57.1	49.4	51.4	54.9		(118'0")	
(124'7")						48.5			48.7		53.6	46.1		53.6	47.4	44.8	53.6	46.1	47.8	51.4	43.2	(124'7")	
(131'2")									45.6			43.4		50.5	44.5		50.1	43.4	44.1	48.1	43.0	(131'2")	
(137'9")												40.6			41.7		47.4	40.6	35.9	45.0	40.6	(137'9")	
(144'3")															39.0		45.0	38.4		42.6	37.9	(144'3")	
(150'10")															37.0				36.2		40.1	35.9	(150'10")
(157'5")																			34.2			33.7	(157'5")
(164'0")																						32.0	(164'0")

S-boom length (ft)	(95'1")																					S-boom length (ft)	
W-Luffing jib length (ft)	(137'9")			(147'7")			(157'5")			(167'3")			(167'3")			(186'11")			(196'9")			W-Luffing jib length (ft)	
Radius (ft)	S-boom angle (°)																					Radius (ft)	
	85	75	65	85	75	65	85	75	65	85	75	65	85	75	65	85	75	65	85	75	65		
(59'0")	78.5			68.8			57.8															(59'0")	
(65'7")	76.7			65.7			56.2			49.2			43.2			38.1						(65'7")	
(72'1")	74.7			64.2			54.9			47.8			41.9			36.8				26.5		(72'1")	
(78'8")	72.8			63.1			53.6			46.5			40.6			35.5				25.1		(78'8")	
(85'3")	71.0			60.6			52.3			45.2			39.5			34.2				24.3		(85'3")	
(91'10")	68.6			59.3			50.9			44.3			38.4			32.2				23.6		(91'10")	
(98'4")	65.3	70.1		58.0			49.8			43.2			37.3			30.4				22.7		(98'4")	
(104'11")	57.8	65.0		54.7	59.5		48.5	51.2		42.1	36.8		36.4			29.3				22.1		(104'11")	
(111'6")	53.4	60.4		50.3	58.2		47.0	50.1		41.0	36.4		35.5	35.7		28.7				21.4		(111'6")	
(118'0")	49.8	56.7		46.5	54.0		43.9	49.0		40.4	35.9		34.8	35.3		28.0	30.2			20.7		(118'0")	
(124'7")	46.7	52.9		43.2	50.3		40.6	48.1		37.9	34.8		34.0	34.2		27.3	28.9			20.1	21.6	(124'7")	
(131'2")	44.1	49.8	47.4	40.8	47.0		37.7	45.6		35.3	34.0		32.2	33.1		26.7	28.0			19.6	20.7	(131'2")	
(137'9")	41.2	47.0	44.5	38.4	44.1	37.5	35.3	41.9		33.1	33.1		30.2	32.0		25.8	27.3			19.0	20.3	(137'9")	
(144'3")	35.9	44.5	42.1	36.4	41.2	36.8	33.1	39.0	36.4	31.1	32.4		26.5	30.9		24.3	26.9			18.5	19.6	(144'3")	
(150'10")		42.1	40.1	35.1	39.0	34.8	31.1	36.6	34.2	26.7	31.3	32.0	25.1	29.5		22.7	26.0			17.9	19.0	(150'10")	
(157'5")		40.1	38.1	28.9	36.8	32.6	27.8	34.2	32.0	24.9	28.2	31.5	24.0	27.8	31.1	21.6	25.4	27.3		17.0	18.5	(157'5")	
(164'0")		37.9	36.4		34.6	30.9	26.2	32.2	30.0	23.8	27.1	29.5	22.7	26.2	29.1	20.3	23.6	26.7		16.3	18.1	19.0	(164'0")
(170'6")			34.6		33.1	29.1		30.4	28.0	22.5	25.8	28.0	21.6	24.9	27.3	19.2	22.3	25.8		15.2	17.4	18.5	(170'6")
(177'1")			32.9			27.6		27.1	26.5	22.1	24.5	26.7	20.5	23.6	25.8	18.3	20.9	24.5		14.6	16.8	18.1	(177'1")
(183'8")						26.2		25.8	25.1		23.4	24.9	19.4	22.3	24.0	17.2	19.8	22.9		13.9	15.7	17.4	(183'8")
(190'2")						24.9			24.0		22.3	23.8		21.2	22.3	16.3	18.7	21.4		13.5	15.0	16.8	(190'2")
(196'9")									22.9			22.7		19.8	20.9		17.9	19.8		12.6	14.3	15.9	(196'9")

S-boom length (ft)	(95'1")																					S-boom length (ft)	
W-Luffing jib length (ft)	(137'9")			(147'7")			(157'5")			(167'3")			(177'1")			(186'11")			(196'9")			W-Luffing jib length (ft)	
Radius (ft)	S-boom angle (°)																					Radius(ft)	
	85	75	65	85	75	65	85	75	65	85	75	65	85	75	65	85	75	65	85	75	65		
(203'4")													21.6		19.0	19.6		17.0	18.7	12.1	13.7	15.0	(203'4")
(209'11")													20.3			18.7		16.1	17.9		13.0	14.3	(209'11")
(216'5")																18.3			17.0		12.3	13.2	(216'5")
(223'0")																19.6			16.5			13.2	(223'0")
(229'7")																						12.3	(229'7")

S-boom length (ft)	(104'11")																				S-boom length (ft)	
W-Luffing jib length (ft)	(68'10")		(78'8")			(88'6")			(98'4")			(108'2")			(118'0")			(127'11")			W-Luffing jib length (ft)	
Radius(ft)	S-boom angle (°)																				Radius(ft)	
	85	75	65	85	75	65	85	75	65	85	75	65	85	75	65	85	75	65	85	75		65
(39'4")	158.8			157.0																		(39'4")
(45'11")	152.6			151.7			149.9			140.0			120.4									(45'11")
(52'5")	145.5			144.6			137.8			128.8			111.8			107.6			92.6			(52'5")
(59'0")	134.9			134.1			127.4			115.1			111.6			103.6			90.2			(59'0")
(65'7")	119.3	115.5		118.8			112.0			101.7			101.7			99.0			88.0			(65'7")
(72'1")	96.1	102.8		95.3	102.8		94.8			86.2			86.2			86.0			81.1			(72'1")
(78'8")	71.9	92.6		71.4	92.6		70.6	92.2		70.1	92.2		70.1			69.7			69.2			(78'8")
(85'3")		84.2		62.0	83.8		61.7	83.8		60.9	83.6		60.9	83.6		60.4			60.0			(85'3")
(91'10")		77.0		58.0	77.0		57.3	76.7		56.4	76.7		55.6	76.3		55.1	76.3		54.2	76.1		(91'10")
(98'4")		70.8	67.7		70.8		56.2	70.8		53.4	70.6		51.2	70.6		50.7	70.1		50.3	69.7		(98'4")
(104'11")			62.6		65.7	62.6		65.7	62.2	50.3	65.3		48.7	65.3		48.1	65.0		47.6	64.6		(104'11")
(111'6")			58.4			58.0		61.1	58.0	46.1	60.9	57.8	46.5	60.9		45.4	60.4		45.9	60.2		(111'6")
(118'0")			54.2			54.2		57.1	54.2		57.1	54.0	47.4	56.7	53.6	44.8	56.7		44.5	56.2		(118'0")
(124'7")						50.7			50.7		53.1	50.5		53.1	50.5	44.1	52.9	50.1	43.7	52.9		(124'7")
(131'2")									47.6			47.6		50.1	47.4		49.8	47.4	41.5	49.8	47.0	(131'2")
(137'9")									45.0			45.0		47.0	44.5		47.0	44.5	38.6	47.0	44.3	(137'9")
(144'3")												42.6			42.1		44.5	42.1		44.3	41.9	(144'3")
(150'10")															40.1			40.1		41.9	39.7	(150'10")
(157'5")																		38.1		39.7	37.7	(157'5")
(164'0")																		35.9			35.9	(164'0")
(170'6")																					34.2	(170'6")

0066340-200-22-20Y

S-boom length (ft)	(104'11")																				S-boom length (ft)								
W-Luffing jib length (ft)	(137'9")				(147'7")				(157'5")				(167'3")				(177'1")				(186'11")				(196'9")				W-Luffing jib length (ft)
Radius (ft)	S-boom angle (°)																						Radius(ft)						
	85	75	65	85	75	65	85	75	65	85	75	65	85	75	65	85	75	65	85	75	65								
(59'0")	78.7			68.1			58.0															(59'0")							
(65'7")	77.0			65.3			56.2			49.4			43.4									(65'7")							
(72'1")	75.0			62.2			55.1			48.1			42.1			37.0			30.9			(72'1")							
(78'8")	68.8			59.1			53.8			46.7			40.8			35.7			28.7			(78'8")							
(85'3")	60.0			56.0			52.3			45.4			39.7			34.4			27.3			(85'3")							
(91'10")	54.2			53.4			50.9			44.3			38.6			32.6			26.5			(91'10")							
(98'4")	50.3	69.7		50.3			48.7			43.2			37.5			31.3			25.6			(98'4")							
(104'11")	47.6	64.6		47.6	60.0		46.5	51.6		41.9			36.4			29.5			24.7			(104'11")							
(111'6")	45.9	60.2		45.0	58.7		44.3	50.3		40.6	43.7		35.7	38.1		28.7			24.5			(111'6")							
(118'0")	44.3	56.0		42.8	56.0		42.3	49.4		39.2	42.8		34.8	36.8		28.0	30.4		24.0			(118'0")							
(124'7")	42.3	52.5		40.1	52.5		39.7	48.5		37.9	41.7		34.0	35.9		27.3	29.1		23.4	25.1		(124'7")							
(131'2")	40.6	49.4		38.1	49.4		37.7	47.2		36.2	40.8		32.0	35.1		26.5	28.4		22.9	24.5		(131'2")							
(137'9")	38.6	46.7	43.9	36.4	46.3		35.7	43.4		33.7	39.7		30.4	34.4		26.0	27.8		22.5	23.8		(137'9")							
(144'3")	37.9	44.3	41.5	34.4	43.9	41.5	33.5	40.4		32.0	38.1		26.7	33.7		24.5	27.1		22.1	23.2		(144'3")							
(150'10")		41.9	39.5	32.6	41.5	39.5	32.0	37.7	39.0	26.9	35.5	38.8	25.1	32.6		22.9	26.2		21.2	22.7		(150'10")							
(157'5")		39.7	37.5	31.1	39.5	37.5	30.4	35.3	37.0	25.1	33.3	36.6	23.8	30.2	34.4	21.6	25.8		19.8	22.1		(157'5")							
(164'0")		37.7	35.7		37.0	35.7	26.5	33.3	35.3	24.0	31.5	35.1	22.5	26.2	33.5	20.5	24.3	26.9	18.7	21.6		(164'0")							
(170'6")			34.0		35.1	34.0		31.3	33.5	22.7	26.5	33.3	21.4	24.9	32.6	19.4	22.7	26.5	17.6	20.9	21.4	(170'6")							
(177'1")			32.6		33.1	32.2		27.6	32.0	21.8	25.1	32.0	20.3	23.4	30.4	18.3	21.4	23.4	16.8	19.6	20.5	(177'1")							
(183'8")			30.9			30.9		26.2	30.4		23.8	30.4	19.4	22.3	25.8	17.4	20.3	22.3	15.9	18.7	19.6	(183'8")							
(190'2")						29.5			28.9		22.7	26.2		21.2	23.6	16.5	19.2	20.9	15.0	17.6	18.7	(190'2")							

0066340-200-22-20Y

(196'9")									27.3		21.4	24.9		20.1	22.5	15.7	18.1	20.1	14.3	16.8	17.9	(196'9")
----------	--	--	--	--	--	--	--	--	------	--	------	------	--	------	------	------	------	------	------	------	------	----------

S-boom length (ft)	(104'11")																					S-boom length (ft)	
W-Luffing jib length (ft)	(137'9")			(147'7")			(157'5")			(167'3")			(177'1")			(186'11")			(196'9")			W-Luffing jib length (ft)	
Radius(ft)	S-boom angle (°)																					Radius (ft)	
	85	75	65	85	75	65	85	75	65	85	75	65	85	75	65	85	75	65	85	75	65		
(203'4")									26.0			23.6			19.2	21.4		17.2	19.0	13.5	15.7	17.0	(203'4")
(209'11")												22.5				20.5		16.3	18.1		15.0	16.1	(209'11")
(216'5")																19.6			17.2		14.1	15.2	(216'5")
(223'0")																18.7			16.5			14.6	(223'0")
(229'7")																21.4			15.7			13.9	(229'7")
(236'1")																						13.5	(236'1")

0066340-200-22-20Y

S-boom length (ft)	(114'9")																				S-boom length (ft)								
W-Luffing jib length (ft)	(68'10")				(78'8")				(88'6")				(98'4")				(108'2")				(118'0")				(127'11")				W-Luffing jib length (ft)
Radius (ft)	S-boom angle (°)																					Radius (ft)							
	85	75	65	85	75	65	85	75	65	85	75	65	85	75	65	85	75	65	85	75	65								
(39'4")	158.8																					(59'0")							
(45'11")	151.7			150.2			149.3			141.6												(65'7")							
(52'5")	143.8			142.9			139.1			130.3			121.3			108.0			92.8			(72'1")							
(59'0")	134.1			133.6			128.6			116.2			112.9			104.1			89.7			(78'8")							
(65'7")	118.6			117.7			112.9			102.8			102.3			97.5			88.4			(85'3")							
(72'1")	94.8	102.1		94.4	101.9		92.2			86.4			86.0			86.0			82.0			(91'10")							
(78'8")	70.8	92.2		70.8	91.7		70.6	91.5		70.6			70.1			70.1			69.9			(98'4")							
(85'3")		83.6		62.4	83.6		61.7	83.1		61.3	82.9		61.3	82.9		62.2			63.1			(104'11")							
(91'10")		76.7		61.1	76.3		60.9	76.3		60.6	76.1		60.9	75.6		59.5	75.6		58.7			(111'6")							
(98'4")		70.6	66.6		70.6		60.9	70.1		60.0	70.1		59.5	69.7		56.9	69.5		54.7	69.5		(118'0")							
(104'11")			61.7		65.3	61.5		65.0		59.1	65.0		55.3	64.6		53.4	64.6		51.2	64.2		(124'7")							
(111'6")			57.8		60.4	57.3		60.4	57.3	49.0	60.4		48.1	60.2		50.3	60.2		48.1	59.8		(131'2")							
(118'0")			54.0			53.6		56.7	53.6		56.2	53.1	45.2	56.2		45.9	56.0		44.5	56.0		(137'9")							
(124'7")						50.1			50.1		52.9	49.8		52.9	49.8	42.3	52.5		42.3	52.3		(144'3")							
(131'2")						47.4			47.0		49.8	47.0		49.8	46.7	39.7	49.4	46.7	39.7	49.2		(150'10")							
(137'9")									44.5			44.3		46.7	43.9		46.7	43.9	38.8	46.3	43.7	(157'5")							
(144'3")												41.9			41.9		44.3	41.5		43.9	41.2	(164'0")							
(150'10")												39.7			39.5		41.9	39.5		41.5	39.0	(170'6")							
(157'5")															37.5			37.5		39.5	37.0	(177'1")							
(164'0")																			35.7			35.3	(183'8")						
(170'6")																			34.0			33.5	(190'2")						
(177'1")																						32.2	(196'9")						

0066340-200-22-20Y

0066340-200-22-20Y																						
S-boom length (ft)	(114'9")																				S-boom length (ft)	
W-Luffing jib length (ft)	(137'9")			(147'7")			(157'5")			(167'3")			(177'1")			(186'11")			(196'9")			W-Luffing jib length (ft)
Radius(ft)	S-boom angle (°)																				Radius (ft)	
	85	75	65	85	75	65	85	75	65	85	75	65	85	75	65	85	75	65	85	75		65
(59'0")	78.7			69.5																		(59'0")
(65'7")	77.2			66.2			56.4			49.6			43.7									(65'7")
(72'1")	74.7			64.2			55.3			48.3			42.1			37.0			32.6			(72'1")
(78'8")	68.6			63.1			53.8			47.0			40.8			35.9			28.9			(78'8")
(85'3")	63.1			60.9			52.5			45.4			39.9			34.8			28.0			(85'3")
(91'10")	58.0			58.0			50.9			44.5			38.8			33.1			27.1			(91'10")
(98'4")	54.0	69.0		53.8			49.6			43.4			37.7			31.3			26.5			(98'4")
(104'11")	50.1	63.9		49.8	60.4		47.6			42.3			36.6			29.5			25.4			(104'11")
(111'6")	46.7	59.5		46.7	59.1		45.9	50.7		41.5	44.1		35.7			28.9			24.9			(111'6")
(118'0")	44.1	55.6		43.7	55.3		43.7	49.8		40.4	43.0		34.8	37.3		27.8	32.2		24.3			(118'0")
(124'7")	41.9	52.3		41.5	51.8		41.5	48.7		39.0	42.1		33.5	36.4		27.1	29.3		23.6	25.6		(124'7")
(131'2")	39.7	49.2		39.2	48.7		39.2	47.6		35.9	41.0		32.0	35.5		26.5	28.7		22.7	24.7		(131'2")
(137'9")	37.9	46.3	43.2	37.7	46.1		37.0	45.4		33.5	39.9		30.4	34.6		26.0	28.0		22.5	24.0		(137'9")
(144'3")	36.2	43.9	40.8	35.9	43.7	40.8	34.6	42.1		31.5	39.2		26.9	33.7		24.7	27.3		21.6	23.4		(144'3")
(150'10")		41.5	38.8	34.4	41.2	38.8	32.4	39.2	38.4	27.1	36.4		25.4	32.2		23.2	26.7		20.7	22.9		(150'10")
(157'5")		39.5	37.0	33.1	39.0	36.6	30.6	36.6	36.4	25.4	33.7	35.9	23.8	30.6		21.8	26.0		19.8	22.3		(157'5")
(164'0")		37.5	35.1		37.5	35.1	26.7	34.4	34.6	24.3	31.5	34.2	22.7	26.9	33.7	20.7	24.9		19.0	21.6		(164'0")
(170'6")		35.7	33.5		35.7	33.3		32.4	32.9	22.9	27.3	32.4	21.6	25.4	32.6	19.4	23.4	26.7	17.9	20.5		(170'6")
(177'1")			32.0		34.0	32.0		30.6	31.5	21.8	25.4	31.1	20.5	24.0	31.1	18.5	22.1	25.8	17.0	19.4	20.9	(177'1")
(183'8")			30.4			30.4		26.7	30.2		24.3	29.3	19.4	22.7	26.5	17.4	20.7	22.9	16.1	18.3	20.3	(183'8")
(190'2")						29.1			28.7		23.2	27.6		21.6	24.9	16.8	19.6	21.8	15.2	17.6	19.4	(190'2")

0066340-200-22-20Y

(196'9")						27.8			27.8		21.8	26.0		20.5	23.6	15.9	18.5	20.5	14.3	17.0	18.3	(196'9")
----------	--	--	--	--	--	------	--	--	------	--	------	------	--	------	------	------	------	------	------	------	------	----------

S-boom length (ft)	(114'9")																					S-boom length (ft)	
W-Luffing jib length (ft)	(137'9")			(147'7")			(157'5")			(167'3")			(177'1")			(186'11")			60			W-Luffing jib length (ft)	
Radius (ft)	S-boom angle (°)																					Radius (ft)	
	85	75	65	85	75	65	85	75	65	85	75	65	85	75	65	85	75	65	85	75	65		
(203'4")										26.5			24.5		19.6	22.3		17.6	19.6	13.7	16.1	17.4	(203'4")
(209'11")													23.4			21.2		16.8	18.7		15.2	16.8	(209'11")
(216'5")													22.3			20.1		15.9	17.9		14.3	15.9	(216'5")
(223'0")																19.2			17.0		13.7	15.0	(223'0")
(229'7")																			16.1			14.3	(229'7")
(236'1")																			15.4			13.7	(236'1")
(242'8")																						13.0	(242'8")

S-boom length (ft)	(124'7")																				S-boom length (ft)			
W-Luffing jib length (ft)	(68'10")		(78'8")			(88'6")			(98'4")			(108'2")			(118'0")			(127'11")			W-Luffing jib length (ft)			
Radius (ft)	S-boom angle (°)																				Radius (ft)			
	85	75	65	85	75	65	85	75	65	85	75	65	85	75	65	85	75	65	85	75		65		
(39'4")	156.6																					(39'4")		
(45'11")	143.1			150.8			150.4			143.1												(45'11")		
(52'5")	143.3			139.4			138.3			131.6				121.9				108.7				(52'5")		
(59'0")	132.3			128.1			126.8			120.2				112.5				105.0			90.0	(59'0")		
(65'7")	115.8			115.8			114.4			110.5				102.8				100.1			86.9	(65'7")		
(72'1")	93.7	101.4		104.7			103.4			99.7				93.9				94.8			81.1	(72'1")		
(78'8")	70.1	91.1		92.6	91.1		90.6			90.4				86.4				88.2			76.3	(78'8")		
(85'3")		82.9		79.8	82.9		80.9	82.5		80.3	82.2			80.3				83.3			72.3	(85'3")		
(91'10")		76.1		64.8	75.6		71.7	75.6		70.8	75.2			77.0	75.2			77.6	75.0		69.9	(91'10")		
(98'4")		69.7			69.7		66.2	69.7		62.6	69.5			71.4	69.0			71.0	69.0		67.0	68.8	(98'4")	
(104'11")		64.6	60.9		64.6			64.6		56.0	64.2			65.7	64.2			65.0	63.9		63.9	63.5	(104'11")	
(111'6")			56.7		60.2	56.7		60.2		50.9	59.8			59.1	59.8			58.4	59.5		57.1	59.1	(111'6")	
(118'0")			52.9			52.9		56.0	52.5		56.0			51.6	55.6			52.5	55.6		50.7	55.3	(118'0")	
(124'7")			49.8			49.4		52.5	49.4		52.5	49.2			52.3			44.5	52.3		44.1	51.8	(124'7")	
(131'2")						46.7				46.3		49.4	46.3		49.2	45.6		41.5	49.2	45.6	41.5	48.7	(131'2")	
(137'9")										43.9			43.7		46.3	43.2		46.3	43.2		39.7	46.1	43.0	(137'9")
(144'3")										41.5			41.2		43.9	41.2		43.9	40.8		43.7	40.6	(144'3")	
(150'10")													39.0				38.8		41.5	38.8		41.2	38.4	(150'10")
(157'5")																	37.0			36.6		39.0	36.6	(157'5")
(164'0")																				35.1			34.6	(164'0")
(170'6")																					33.3		33.3	(170'6")

0066340-200-22-20Y

(177'1")																																										31.5	(177'1")							
(183'8")																																																	30.2	(183'8")

S-boom length (ft)	(124'7")																					S-boom length (ft)	
W-Luffing jib length (ft)	(137'9")			(147'7")			(157'5")			(167'3")			(177'1")			(186'11")			(196'9")			W-Luffing jib length (ft)	
Radius (ft)	S-boom angle (°)																					Radius (ft)	
	85	75	65	85	75	65	85	75	65	85	75	65	85	75	65	85	75	65	85	75	65		Radius (ft)
(59'0")	78.9			69.7																		(59'0")	
(65'7")	77.4			66.8			56.7			49.6												(65'7")	
(72'1")	75.6			63.9			55.1			48.3			42.3			37.3					32.6	(72'1")	
(78'8")	73.6			62.0			53.4			47.0			41.0			35.9					28.7	(78'8")	
(85'3")	71.0			60.4			52.0			45.4			39.9			34.4					28.0	(85'3")	
(91'10")	68.4			59.3			51.2			44.1			38.8			32.6					26.9	(91'10")	
(98'4")	65.7			57.8			50.3			42.6			37.7			31.1					26.0	(98'4")	
(104'11")	59.8	63.3		56.4	62.6		49.4			41.0			36.6			30.2					25.4	(104'11")	
(111'6")	55.8	58.2		52.0	58.7		48.3	51.4		39.5			35.5			28.9					24.7	(111'6")	
(118'0")	50.7	54.2		48.7	54.9		44.8	50.1		37.7	43.4		34.2	37.7		28.2					24.0	(118'0")	
(124'7")	44.1	50.9		44.1	51.6		41.5	49.2		36.2	42.3		33.1	36.6		27.6	30.4				23.4	25.8	(124'7")
(131'2")	40.1	47.6		40.1	48.5		38.6	48.1		34.6	41.5		31.8	35.7		26.9	28.9				22.9	25.1	(131'2")
(137'9")	37.9	44.5		37.9	45.6		36.2	45.2		33.3	40.6		30.4	34.8		26.2	28.2				22.3	24.3	(137'9")
(144'3")	35.7	41.9	40.1	35.7	43.2		34.0	43.0		32.0	39.7		27.1	34.2		24.9	27.6				21.6	23.6	(144'3")
(150'10")	34.4	39.5	38.1	34.4	40.8	38.1	32.0	40.6		30.4	37.3		25.6	33.3		23.4	26.9				20.7	22.9	(150'10")
(157'5")		37.5	36.4		38.8	35.9	28.4	37.9	35.7	25.8	34.6		24.0	31.5		22.1	26.2				19.8	22.5	(157'5")
(164'0")		35.9	34.6		37.0	34.2	26.9	35.7	34.0	24.5	32.4	34.0	22.7	27.6		20.7	25.4				19.0	22.1	(164'0")
(170'6")		35.3	32.9		35.3	32.6		33.5	32.6	23.2	30.6	32.2	21.6	26.0	32.0	19.6	23.8	27.3	18.1		21.4		(170'6")
(177'1")			31.5		33.5	31.1		31.5	30.9	21.8	26.2	30.9	20.5	24.7	30.4	18.5	22.5	26.5	17.0		20.5	21.8	(177'1")

0066340-200-22-20Y

(183'8")			30.2			29.8		27.1	29.5		24.7	29.5	19.6	23.2	28.2	17.6	21.2	24.5	16.1	19.4	21.2	(183'8")
(190'2")			28.7			28.4		26.0	28.4		23.6	28.0		22.1	26.5	16.8	20.1	23.2	15.2	18.5	20.1	(190'2")
(196'9")						27.3			27.1		22.3	26.7		20.9	24.9	15.9	19.0	21.6	14.6	17.4	19.0	(196'9")
(203'4")						26.5			26.0			25.6		19.8	23.6		17.9	20.3	13.7	16.3	18.1	(203'4")

S-boom length (ft)	(124'7")																				S-boom length (ft)								
W-Luffing jib length (ft)	(137'9")				(147'7")				(157'5")				(167'3")				(177'1")				(186'11")				(196'9")				W-Luffing jib length (ft)
Radius (ft)	S-boom angle (°)																				Radius (ft)								
	85	75	65	85	75	65	85	75	65	85	75	65	85	75	65	85	75	65	85	75		65							
(209'11")									24.9					24.5		19.0	22.3		17.0	8.7		7.1	7.8	(209'11")					
(216'5")														23.2				21.2		16.1	8.3		6.6	7.4	(216'5")				
(223'0")																		20.1			7.9		6.3	7.1	(223'0")				
(229'7")																		19.0			7.5		6	6.7	(229'7")				
(236'1")																					7.2			6.4	(236'1")				
(242'8")																								6.1	(242'8")				

S-boom length(ft)	(134'5")																					S-boom length (ft)
W-Luffing jib length (ft)	(68'10")			(78'8")			(88'6")			(98'4")			(108'2")			(118'0")			(127'11")			W-Luffing jib length (ft)
Radius (ft)	S-boom angle (°)																					Radius (ft)
	85	75	65	85	75	65	85	75	65	85	75	65	85	75	65	85	75	65	85	75	65	
(39'4")	154.4																					(39'4")
(45'11")	144.0			144.0																		(45'11")
(52'5")	133.4			133.4			137.8			133.0			122.6			109.1						(52'5")
(59'0")	123.0			122.6			122.6			121.3			115.1			103.9			91.3			(59'0")
(65'7")	111.8			111.6			110.3			108.9			107.4			97.7			88.9			(65'7")
(72'1")	101.0			100.5			100.5			99.2			99.2			92.2			86.0			(72'1")
(78'8")	89.3	90.4		90.8	90.4		91.7			91.1			90.2			86.9			83.1			(78'8")
(85'3")	64.8	82.2		80.7	82.2		84.0	71.7		83.3			82.7			82.0			80.3			(85'3")
(91'10")		75.2		67.9	75.2		77.8	71.0		77.2	70.1		76.5	64.4		75.9			75.2			(91'10")
(98'4")		69.5			69.0		68.1	65.5		71.7	64.4		71.0	63.9		70.3	63.5		69.7			(98'4")
(104'11")		64.2			64.2			60.4		66.8	59.5		66.2	61.3		65.7	58.4		65.0	58.0		(104'11")
(111'6")			56.0		59.8			56.2		53.1	55.3		59.5	55.1		59.1	54.2		58.0	54.0		(111'6")
(118'0")			52.3		55.6	51.8		52.3	44.5		51.4		53.8	51.2		54.7	50.7		53.8	50.1		(118'0")
(124'7")			48.7			48.7		49.2	44.1		48.1	44.1		47.8		50.9	47.4		50.1	46.7		(124'7")
(131'2")			46.1			46.1			41.2		45.4	40.8		45.0	40.1	43.4	44.5		46.7	43.7		(131'2")
(137'9")						43.2			38.8		43.9	38.1		42.1	39.7		42.1	39.2	43.2	41.2		(137'9")
(164'0")									36.6			36.2		39.9	37.5		39.5	35.7		38.6	32.6	(164'0")
(170'6")												34.8			35.5		37.3	33.1		36.6	32.2	(170'6")
(177'1")												34.0			33.3			30.9		34.4	30.4	(177'1")
(183'8")															31.5			28.9		32.6	28.7	(183'8")
(39'4")															29.8			27.6			27.3	(39'4")

0066340-200-22-20Y

(45'11")																			26.9			26.0	(45'11")	
(52'5")																							24.5	(52'5")

S-boom length (ft)	(134'5")																					S-boom length (ft)
	(137'9")			(147'7")			(157'5")			(167'3")			(177'1")			(186'11")			(196'9")			
W-Luffing jib length (ft)	S-boom angle (°)																					W-Luffing jib length (ft)
	85	75	65	85	75	65	85	75	65	85	75	65	85	75	65	85	75	65	85	75	65	
(59'0")	78.3			69.9																		(59'0")
(65'7")	77.6			67.9			56.9			49.8												(65'7")
(72'1")	75.9			64.8			55.6			48.5			42.6			37.5						(72'1")
(78'8")	74.3			63.7			54.2			47.2			41.2			36.2			25.8			(78'8")
(85'3")	72.1			61.3			52.9			45.9			40.1			34.8			24.7			(85'3")
(91'10")	69.7			60.0			51.6			44.8			39.0			33.1			24.0			(91'10")
(98'4")	67.0			58.7			50.5			43.7			37.9			31.3			23.4			(98'4")
(104'11")	64.2	57.6		57.3			49.4			42.6			36.8			29.8			22.5			(104'11")
(111'6")	55.3	53.1		52.3	50.9		48.3	50.7		41.7			35.9			28.9			21.6			(111'6")
(118'0")	51.6	49.2		48.5	49.0		45.6	47.4		40.8	43.0		35.1			28.2			20.9			(118'0")
(124'7")	48.5	45.9		45.0	45.6		42.1	44.3		39.5	42.6		33.7	37.0		27.3	30.9		20.3			(124'7")
(131'2")	45.4	43.0		41.9	42.6		39.0	41.7		36.6	41.5		32.6	36.2		27.1	29.1		19.8	22.1		(131'2")
(137'9")	42.8	40.4		39.7	40.1		36.4	39.2		34.2	38.8		31.3	35.3		26.5	28.4		19.4	20.9		(137'9")
(144'3")	40.4	38.1		37.5	37.7		34.2	36.8		32.0	36.6		27.1	34.6		25.1	27.8		19.0	20.5		(144'3")
(150'10")	35.5	35.9	31.8	35.5	35.5		32.2	34.6		27.6	34.4		26.0	33.7		23.6	27.1		18.5	19.8		(150'10")
(157'5")		34.0	29.8	34.0	33.5	29.1	30.4	32.9	28.7	25.8	32.4		24.7	32.4		22.3	26.5		17.4	19.4		(157'5")
(164'0")		32.2	28.0		31.8	27.6	27.1	31.1	27.1	24.5	30.6	25.4	23.4	30.4		20.9	26.0		16.8	18.7		(164'0")
(170'6")		30.4	26.5		30.2	26.2	25.6	29.3	25.6	23.2	28.9	24.9	22.1	26.7	24.3	19.8	24.5		15.9	18.3		(170'6")
(177'1")			25.1		28.4	24.7		27.8	24.0	22.1	27.6	23.6	20.9	25.4	22.7	18.7	22.9	22.1	15.0	17.9		(177'1")

S-boom length (ft)	(32'9")																					S-boom length (ft)
W-Luffing jib length (ft)	(137'9")			(147'7")			(157'5")			(167'3")			(177'1")			(186'11")			(196'9")			W-Luffing jib length (ft)
Radius (ft)	S-boom angle (°)																					Radius(ft)
	85	75	65	85	75	65	85	75	65	85	75	65	85	75	65	85	75	65	85	75	65	
(183'8")			23.6			23.4		26.2	22.5		26.0	22.3	20.1	23.8	21.6	17.9	21.6	20.5	14.3	16.8	18.1	(183'8")
(190'2")			22.3			22.3		25.4	21.2		24.7	21.2	19.2	22.7	20.3	17.0	20.5	19.0	13.7	15.7	17.9	(190'2")
(196'9")			21.6			21.2			20.1		23.4	20.1		21.4	19.0	16.1	19.4	17.6	13.0	15.0	17.2	(196'9")
(203'4")						20.1			19.2			19.0		20.3	17.9		18.3	16.5	12.3	14.3	16.3	(203'4")
(229'7")															14.8			14.1		12.1	13.2	(229'7")
(236'1")															14.6			13.9			12.6	(236'1")
(242'8")																		13.7			11.9	(242'8")
(249'3")																					18.1	(249'3")

0066340-200-22-20Y

S-boom length (ft)	(144'3")																				S-boom length (ft)								
W-Luffing jib length (ft)	(68'10")				(78'8")				(88'6")				(98'4")				(108'2")				(118'0")				(127'11")				W-Luffing jib length (ft)
Radius (ft)	S-boom angle (°)																				Radius (ft)								
	85	75	65	85	75	65	85	75	65	85	75	65	85	75	65	85	75	65	85	75		65	Radius (ft)						
(45'11")	143.3			141.6			139.8															(45'11")							
(52'5")	133.2			130.8			128.6			132.3			123.5			109.8						(52'5")							
(59'0")	121.3			119.5			116.9			116.9			113.8			105.6			91.5			(59'0")							
(65'7")	108.9			107.6			106.7			106.1			104.7			101.7			89.1			(65'7")							
(72'1")	97.0			96.1			97.9			96.6			95.0			95.0			86.4			(72'1")							
(78'8")	84.2	89.7		85.1			88.9			88.2			86.9			86.9			83.6			(78'8")							
(85'3")	69.0	81.6		76.1	81.6		81.4	81.1		80.7			80.0			79.2			78.5			(85'3")							
(91'10")		74.5		71.7	74.5		75.9	74.3		74.5	73.9		73.6			73.0			72.3			(91'10")							
(98'4")		68.8		68.8			70.3	68.4		69.7	68.1		69.0	68.1		68.1	67.7		67.5			(98'4")							
(104'11")		63.5		63.5			53.8	63.5		65.5	63.3		64.8	62.8		64.2	62.8		63.5	62.6		(104'11")							
(111'6")		59.1	54.9	59.1			59.1			55.1	58.7		60.2	58.4		59.5	58.4		58.4	58.0		(111'6")							
(118'0")			51.6	55.3	51.2		55.3			54.9			11.2	54.7		55.1	54.7		54.0	54.2		(118'0")							
(124'7")			48.1			48.1	51.8	47.6		51.6			43.4	51.6		51.4	51.2		50.3	50.7		(124'7")							
(131'2")			45.2			45.0			45.0	48.5	44.5		48.5			44.8	48.1		47.0	47.6		(131'2")							
(137'9")						42.6			42.6	45.6	42.1		45.6	41.9		45.2			43.9	45.2		(137'9")							
(144'3")						40.1			40.1			39.7		43.2	39.5		43.0	39.5		43.0	39.0	(144'3")							
(150'10")									38.1			37.7			37.5		40.8	37.0		40.6	37.0	(150'10")							
(157'5")												35.9			35.7		38.8	35.3		38.4	35.3	(157'5")							
(164'0")														34.0				33.5		36.6	33.5	(164'0")							
(170'6")																32.2			32.2			32.0	(170'6")						
(177'1")																		30.9				30.4	(177'1")						
(183'8")																						29.1	(183'8")						

0066340-200-22-20Y

S-boom length (ft)	(144'3")																				S-boom length (ft)								
W-Luffing jib length (ft)	(137'9")				(147'7")				(157'5")				(167'3")				(177'1")				(186'11")				(196'9")				W-Luffing jib length (ft)
Radius (ft)	S-boom angle (°)																				Radius (ft)								
	85	75	65	85	75	65	85	75	65	85	75	65	85	75	65	85	75	65	85	75		65							
(65'7")	77.8			68.1			57.1															(65'7")							
(72'1")	76.1			65.0			55.6			48.7			42.8			37.7						(72'1")							
(78'8")	74.1			63.1			54.2			47.4			41.5			36.4			28.9			(78'8")							
(85'3")	71.0			61.3			52.5			46.1			40.1			34.8			28.2			(85'3")							
(91'10")	68.4			60.2			50.7			44.8			39.2			33.3			27.3			(91'10")							
(98'4")	65.3			58.9			49.2			43.9			38.1			32.0			26.5			(98'4")							
(104'11")	61.5			57.6			47.4			42.8			37.0			30.4			25.8			(104'11")							
(111'6")	56.7	57.8		52.9	57.8		45.9			41.7			35.9			29.1			24.9			(111'6")							
(118'0")	52.7	54.0		49.0	54.0		44.3	50.9		40.8	44.3		35.3			28.2			24.5			(118'0")							
(124'7")	49.2	50.7		45.4	50.5		43.2	49.6		39.7	43.2		34.4	37.5		27.6			23.8			(124'7")							
(131'2")	46.1	47.6		42.6	47.4		39.9	47.0		37.3	42.3		33.7	36.4		26.9	30.2		22.9	25.6		(131'2")							
(137'9")	43.2	45.0		39.9	44.5		37.0	44.5		34.4	41.2		32.4	35.3		26.5	28.7		22.5	24.9		(137'9")							
(144'3")	40.6	42.6		37.7	42.1		34.4	42.1		32.4	40.1		27.6	34.4		25.4	28.0		22.1	24.0		(144'3")							
(150'10")	37.3	40.1	36.6	35.7	40.1		32.4	39.7		30.4	39.2		26.0	33.3		23.8	27.3		21.6	23.4		(150'10")							
(157'5")		38.4	34.6	34.0	38.1	34.6	30.4	37.7		26.2	37.0		24.7	32.0		22.5	26.7		20.5	22.9		(157'5")							
(164'0")		36.4	32.9		36.4	32.9	27.3	35.9	32.6	24.7	34.6		23.4	30.6		21.2	26.0		19.4	22.5		(164'0")							
(170'6")		34.6	31.1		34.6	31.5	25.8	34.2	31.1	23.4	32.4	30.9	22.3	27.1		19.8	25.1		18.3	22.1		(170'6")							
(177'1")		33.3	29.8		32.9	30.2		32.4	29.3	22.3	30.4	29.5	20.9	25.8	29.1	19.0	23.6		17.4	21.4		(177'1")							
(183'8")			28.4		31.5	28.7		31.1	27.8		25.8	28.0	19.8	24.5	27.8	17.9	22.3	26.7	16.3	20.3		(183'8")							
(190'2")			27.3			27.3		26.9	26.5		24.3	26.7	18.7	23.2	26.7	17.0	20.9	26.0	15.4	19.2	22.3	(190'2")							
(196'9")			26.5			26.5		25.6	25.4		23.2	25.6		21.8	25.6		19.8	24.5	14.6	18.1	21.4	(196'9")							
(203'4")						25.4			24.9		22.1	24.7		20.7	24.7		18.7	23.2	13.9	17.0	20.5	(203'4")							

0066340-200-22-20Y

S-boom length (ft)	(144'3")																					S-boom length (ft)	
W-Luffing jib length (ft)	(137'9")	(147'7")	(157'5")	(167'3")	(177'1")	(186'11")	(196'9")	W-Luffing jib length (ft)															
Radius (ft)	S-boom angle (°)																					Radius (ft)	
	85	75	65	85	75	65	85	75	65	85	75	65	85	75	65	85	75	65	85	75	65		
(209'11")						24.3			24.0			23.6			19.6	23.4		17.9	21.6	13.2	16.3	19.0	(209'11")
(216'5")									22.9			22.9			18.7	22.5		16.8	20.3		15.4	18.1	(216'5")
(223'0")												21.8			21.6		16.1	19.2		14.6	17.0	(223'0")	
(229'7")												20.9			20.7			18.3		13.9	15.9	(229'7")	
(236'1")															19.6			17.2			15.0	(236'1")	
(242'8")																		16.3			14.6	(242'8")	
(249'3")																		15.7			13.7	(249'3")	

S-boom length (ft)	(154'1")																				S-boom length (ft)	
W-Luffing jib length (ft)	(68'10")			(78'8")			(88'6")			(98'4")			(108'2")			(118'0")			(127'11")			W-Luffing jib length (ft)
Radius (ft)	S-boom angle (°)																				Radius (ft)	
	85	75	65	85	75	65	85	75	65	85	75	65	85	75	65	85	75	65	85	75		65
(45'11")	142.9			142.2			129.7															(45'11")
(52'5")	130.3			129.7			115.8			114.9			113.1									(52'5")
(59'0")	117.1			115.8			103.4			102.8			101.7			100.5			91.7			(59'0")
(65'7")	104.7			104.7			94.4			93.1			92.4			91.7			89.3			(65'7")
(72'1")	94.4			95.0			86.2			84.2			84.0			84.5			86.9			(72'1")
(78'8")	85.3	88.6		86.9			79.2			78.1			77.2			79.4			82.7			(78'8")
(85'3")	73.0	80.7		80.0	80.5		73.0			72.3			71.7			75.0			75.9			(85'3")
(91'10")		73.9		73.6	73.9		67.5	63.3		67.3	61.7		66.8			70.6			70.3			(91'10")
(98'4")		68.1		68.1			58.9			63.7	57.6		62.6	56.9		66.2			66.2			(98'4")
(104'11")		63.3		62.8			54.5			60.2	53.8		58.7	53.4		62.0	62.2		61.3	52.0		(104'11")
(111'6")		58.7		58.7			50.7			58.0	50.1		55.1	49.6		58.0	57.8		57.1	51.6		(111'6")
(118'0")			50.5	54.7			47.4			47.0			46.3		54.5	54.0		53.8	48.3			(118'0")
(124'7")			47.4		47.0		44.5			43.9			43.4		50.9	50.5		50.3	45.2			(124'7")
(131'2")			44.5		44.3			36.6		41.0	36.2		40.8		46.5	47.6		47.2	42.3			(131'2")
(137'9")			41.9		41.9			34.4		37.9	33.7		38.4	33.1		45.0		44.1	39.9			(137'9")
(144'3")					39.5			32.4		31.5		37.9	31.3		42.6	31.1		37.3				(144'3")
(150'10")								30.0		29.8		37.5	29.5		40.1	29.3		35.3	28.7			(150'10")
(157'5")								28.4		28.2			28.0		38.4	28.0		33.3	28.2			(157'5")
(164'0")										27.1			26.7			26.7		31.5	26.9			(164'0")
(170'6")													25.8			25.6		31.1	25.6			(170'6")
(177'1")													24.3			24.0			24.0			(177'1")
(183'8")																22.9			22.9			(183'8")

(190'2")																						21.8	(190'2")
----------	--	--	--	--	--	--	--	--	--	--	--	--	--	--	--	--	--	--	--	--	--	------	----------

S-boom length (ft)	(154'1")																					S-boom length (ft)
W-Luffing jib length (ft)	(137'9")			(147'7")			(157'5")			(167'3")			(177'1")			(186'11")			(196'9")			W-Luffing jib length (ft)
Radius (ft)	S-boom angle (°)																					Radius (ft)
	85	75	65	85	75	65	85	75	65	85	75	65	85	75	65	85	75	65	85	75	65	
(65'7")	78.1			66.2			57.3															(65'7")
(72'1")	76.3			65.0			55.8			49.0			43.0			37.7						(72'1")
(78'8")	74.3			64.2			54.7			47.6			41.5			36.4			25.4			(78'8")
(85'3")	72.5			62.6			53.1			46.3			40.4			34.8			24.9			(85'3")
(91'10")	69.5			60.2			51.8			45.0			39.2			33.3			24.0			(91'10")
(98'4")	65.5			59.1			50.7			43.9			38.1			31.8			23.6			(98'4")
(104'11")	60.6			57.8			49.6			43.0			37.0			30.4			22.7			(104'11")
(111'6")	56.4	50.5		53.6			48.7			41.9			36.2			29.1			21.8			(111'6")
(118'0")	52.5	47.2		50.1	46.7		46.3	46.3		41.0			35.3			28.4			21.2			(118'0")
(124'7")	49.0	44.1		46.5	43.7		42.8	43.4		40.1	42.3		34.6	35.1		27.8			20.3			(124'7")
(131'2")	45.4	41.2		43.4	41.2		39.7	41.2		37.3	39.9		33.7	34.0		27.1	30.4		19.8			(131'2")
(137'9")	42.3	39.2		40.8	38.6		37.0	38.6		34.8	37.5		32.6	32.9		26.2	28.9		19.4	21.2		(137'9")
(144'3")	39.9	37.0		38.4	36.4		34.8	36.4		32.4	35.3		27.8	32.0		25.6	28.2		19.0	20.3		(144'3")
(150'10")	38.1	34.8		36.2	34.2		32.9	34.8		30.4	33.1		26.2	31.3		23.8	27.6		18.5	19.6		(150'10")
(157'5")		33.1	27.3	34.4	32.2		31.1	33.1		26.5	31.3		24.7	30.9		22.1	26.9		17.6	19.2		(157'5")
(164'0")		31.5	26.0		30.6		27.3	31.5		24.7	29.3		23.4	29.8		21.4	26.2		17.0	18.7		(164'0")
(170'6")		30.0	24.5		28.9	24.0	26.0	30.0	22.9	23.6	27.8		22.3	26.9		20.3	25.8		16.1	18.3		(170'6")
(177'1")		28.9	23.2		27.3	22.9		28.2	21.8	22.3	26.5	21.8	20.9	25.4	20.3	19.2	24.0		15.2	17.9		(177'1")
(183'8")			21.8		26.0	21.8		27.1	20.9		24.9	20.5	20.1	24.0	19.2	18.1	22.7	18.7	14.6	17.4		(183'8")

0066340-200-22-20Y

S-boom length (ft)	(154'1")																					S-boom length (ft)
W-Luffing jib length (ft)	(137'9")			(147'7")			(157'5")			(167'3")			(177'1")			(186'11")			(196'9")			W-Luffing jib length (ft)
Radius (ft)	S-boom angle (°)																					Radius (ft)
	85	75	65	85	75	65	85	75	65	85	75	65	85	75	65	85	75	65	85	75	65	
(190'2")			20.7		25.1	20.5		26.0	20.1		23.6	19.4	19.0	22.9	18.5	17.2	21.6	17.6	13.9	16.5	17.6	(190'2")
(196'9")			19.8			19.4		25.1	19.0		22.5	18.3		22.1	17.4	16.3	20.3	16.8	13.0	15.4	15.7	(196'9")
(203'4")			19.8			18.5			18.3		21.4	17.4		20.9	16.5		19.2	16.1	12.6	14.8	14.8	(203'4")
(209'11")						17.6			17.4			16.5		20.3	16.1		18.1	15.4	12.1	14.1	14.1	(209'11")
(236'1")															13.7			13.0		11.5	11.0	(236'1")
(242'8")															12.8			12.6			10.6	(242'8")
(249'3")																		12.1			9.9	(249'3")
(255'10")																					9.7	(255'10")

0066340-200-22-20Y

S-boom length(ft)	(164'0")																					S-boom length(ft)	
W-Luffing jib length (ft)	(68'10")			(78'8")			(88'6")			(98'4")			(108'2")			(118'0")			(127'11")			W-Luffing jib length (ft)	
Radius (ft)	S-boom angle (°)																					Radius (ft)	
	85	75	65	85	75	65	85	75	65	85	75	65	85	75	65	85	75	65	85	75	65		
(45'11")	146.2			144.6																		(45'11")	
(52'5")	128.1			126.8			46.1			124.1			122.6									(52'5")	
(59'0")	113.8			113.1			43.2			110.3			108.9			106.7			92.2			(59'0")	
(65'7")	102.1			101.2			40.8			99.9			99.2			97.9			89.7			(65'7")	
(72'1")	93.1			92.4			38.8			91.1			89.5			88.9			86.4			(72'1")	
(78'8")	84.7			84.0			36.6			82.7			82.0			81.4			80.0			(78'8")	
(85'3")	76.3	80.0		77.2	79.8		46.1			75.9			75.2			74.5			73.6			(85'3")	
(91'10")		73.2		71.7	72.8		43.2	72.8		70.3			69.7			69.0			68.1			(91'10")	
(98'4")		67.3			67.3	40.8	67.0			65.5	66.6		64.8	66.4		64.8			64.2			(98'4")	
(104'11")		62.6			62.2	38.8	62.2			61.3	61.7		60.6	61.5		60.0	61.5		59.3			(104'11")	
(111'6")		58.0			58.0		57.8			57.1	57.8		56.4	57.3		56.4	57.1		55.8	56.7		(111'6")	
(118'0")			49.4		54.2			54.0			54.0		53.1	53.6		52.7	53.1		52.5	53.1		(118'0")	
(124'7")			46.3		50.7	46.1		50.7			50.5		47.4	50.1		49.6	50.1		49.0	49.8		(124'7")	
(131'2")			43.7			43.2		47.6	43.2		47.4			47.4		47.0	47.0		46.1	46.7		(131'2")	
(137'9")			41.2			40.8			40.8		44.5	40.6		44.5			44.5		43.4	44.3		(137'9")	
(144'3")						38.8			38.4		42.1	38.4		42.1	38.1		42.1		38.6	41.9		(144'3")	
(150'10")						36.6			36.6			36.4		40.1	35.9		39.7	35.7		39.5		(150'10")	
(157'5")									34.6			34.2			34.2		37.7	34.0		37.7	33.5	(157'5")	
(164'0")												32.9				32.6		35.9	32.2		35.7	32.0	(164'0")
(170'6")												31.1				30.9			30.9		34.0	30.4	(170'6")
(177'1")																29.5			29.5			29.1	(177'1")
(183'8")																			28.0			27.8	(183'8")

0066340-200-22-20Y

(190'2")																						26.7					26.7	(190'2")
(196'9")																											25.4	(196'9")

S-boom length (ft)	(164'0")																							S-boom length (ft)	
	(137'9")			(147'7")			(157'5")			(167'3")			(177'1")			(186'11")			(196'9")			W-Luffing jib length (ft)			
W-Luffing jib length (ft)	S-boom angle (°)																							Radius (ft)	
	85	75	65	85	75	65	85	75	65	85	75	65	85	75	65	85	75	65	85	75	65	85	75		65
(65'7")	78.3			68.8			57.6																		(65'7")
(72'1")	76.5			65.5			56.0			49.2			43.2			37.9									(72'1")
(78'8")	74.7			64.2			54.7			47.8			41.7			36.6			29.3						(78'8")
(85'3")	72.8			62.6			53.4			46.3			40.4			35.5			28.4						(85'3")
(91'10")	67.5			60.4			52.0			45.2			39.5			34.2			27.6						(91'10")
(98'4")	63.5			59.1			50.7			44.1			38.4			32.2			26.7						(98'4")
(104'11")	58.7			57.8			49.8			43.0			37.3			30.4			26.0						(104'11")
(111'6")	55.1	56.7		54.5			49.0			41.9			36.2			29.3			25.4						(111'6")
(118'0")	51.6	52.9		50.9	51.8		46.7	51.8		41.0			35.5			28.4			24.7						(118'0")
(124'7")	48.3	49.4		47.6	49.4		43.2	49.2		40.1	44.1		34.6			27.8			24.0						(124'7")
(131'2")	45.4	46.7		44.5	46.3		40.1	46.1		37.7	43.0		34.0	37.3		27.3	32.4		23.4						(131'2")
(137'9")	43.4	43.9		41.7	43.7		37.5	43.7		35.3	42.1		32.9	36.4		26.7	29.3		22.9	25.6					(137'9")
(144'3")	40.6	41.5		39.2	41.5		35.1	41.2		32.9	40.8		28.0	35.5		25.8	28.7		22.1	24.7					(144'3")
(150'10")	38.6	39.5		36.8	39.0		33.1	38.8		31.1	38.6		26.2	34.6		24.3	28.0		21.8	24.0					(150'10")
(157'5")		37.5		34.8	37.5		31.3	37.0		26.7	36.6		24.9	34.0		22.7	27.3		20.9	23.4					(157'5")
(164'0")		35.7	32.0	31.8	35.3		27.6	35.3		25.1	35.1		23.4	33.3		21.4	26.7		19.6	22.9					(164'0")
(170'6")		34.0	30.2		33.5	30.2	26.2	33.5	29.8	23.8	33.1		22.3	30.4		20.3	26.0		18.5	22.5					(170'6")
(177'1")		32.2	28.7		32.2	28.7		32.0	28.2	22.5	32.0	27.6	21.2	26.9		19.2	24.7		17.4	21.8					(177'1")
(183'8")			27.8		30.9	27.3		30.4	26.9		30.4	26.2	20.1	25.4	26.2	18.3	23.2		16.5	21.2					(183'8")

0066340-200-22-20Y

(190'2")			26.5		29.5	26.2		28.2	26.0		25.6	25.6	19.2	23.8	24.9	17.2	21.8	24.0	15.4	20.1		(190'2")
(196'9")			25.4			24.9		26.9	24.7		24.3	24.0		22.7	23.4	16.3	20.7	23.4	14.3	19.0	22.3	(196'9")
(203'4")			24.3			24.0			23.4		22.9	23.4		21.4	22.7		19.6	22.1	13.7	17.9	21.4	(203'4")

S-boom length(ft)	50																					S-boom length (ft)
W-Luffing jib length (ft)	(137'9")			(147'7")			(157'5")			(167'3")			(177'1")			(186'11")			(196'9")			W-Luffing jib length (ft)
Radius(ft)	S-boom angle (°)																					Radius (ft)
	85	75	65	85	75	65	85	75	65	85	75	65	85	75	65	85	75	65	85	75	65	
(209'11")			23.2			22.9			22.7		22.1	22.1		20.5	21.4		18.5	21.4	13.5	17.0	20.7	(209'11")
(216'5")						22.1			21.4			21.4		19.4	20.7		17.4	20.1		16.1	19.4	(216'5")
(223'0")									20.7			20.1			20.1		16.8	19.4		15.2	18.5	(223'0")
(229'7")									20.1			19.4			18.5			18.5		14.3	17.9	(229'7")
(236'1")												18.5			17.9			17.2		13.7	17.2	(236'1")
(242'8")															17.2			16.5			16.1	(242'8")
(249'3")																		15.9			15.2	(249'3")
(255'10")																		15.2			14.3	(255'10")
(262'4")																					13.7	(262'4")

S-boom length (ft)	116.9																					S-boom length (ft)
	(68'10")			(78'8")			(88'6")			(98'4")			(108'2")			(118'0")			(127'11")			
W-Luffing jib length (ft)	S-boom angle (°)																					Radius (ft)
Radius (ft)	85	75	65	85	75	65	85	75	65	85	75	65	85	75	65	85	75	65	85	75	65	
(45'11")	140.7			139.1																		(45'11")
(52'5")	124.1			122.6			121.3			120.0												(52'5")
(59'0")	110.3			108.9			108.3			107.6			106.1			104.7			92.4			(59'0")
(65'7")	99.2			98.1			97.9			96.6			95.7			95.0			90.0			(65'7")
(72'1")	90.2			89.5			88.9			88.2			86.9			86.2			85.6			(72'1")
(78'8")	82.7			81.4			81.4			80.0			79.2			78.5			77.8			(78'8")
(85'3")	75.9	79.2		75.2			74.5			73.6			73.0			72.3			71.7			(85'3")
(91'10")		72.5		68.4	72.1		69.0			68.1			67.5			67.3			66.8			(91'10")
(98'4")		66.6		59.3	66.2		64.8	61.3		64.2	60.6		63.5			62.6			62.0			(98'4")
(104'11")		61.7			61.5		60.0	57.1		59.3	56.2		58.7	55.3		58.7	54.7		58.0			(104'11")
(111'6")		57.3			57.3			53.6		55.8	52.5		55.1	51.6		54.5	50.7		53.8	47.6		(111'6")
(118'0")		53.6			53.6			50.1			49.0		51.6	48.5		50.9	47.6		50.3	46.7		(118'0")
(124'7")			45.2		50.1			46.7			45.9		48.5	45.6		47.8	44.5		47.6	43.9		(124'7")
(131'2")			42.6			42.6		43.9			43.2			42.8		45.4	42.1		44.8	41.5		(131'2")
(137'9")			40.1			40.1		42.8	34.0		40.8			40.1			39.5		42.3	39.0		(137'9")
(144'3")			38.1			38.1			32.2		38.6	32.2		37.7			37.3		39.9	36.6		(144'3")
(150'10")						35.9			30.4			30.4		35.7	28.9		35.5	28.0		34.4		(150'10")
(157'5")						34.0			28.7			28.9		35.3	27.3		33.7	26.7		32.6	29.1	(157'5")
(164'0")									27.1			27.1			26.0		32.2	25.1		30.9	24.7	(164'0")
(170'6")									34.0			26.2			24.5			24.3		29.3	23.4	(170'6")
(177'1")															23.4			22.9			22.1	(177'1")

0066340-200-22-20Y

(183'8")															22.3			21.8			20.9	(183'8")
(190'2")																		21.2			19.8	(190'2")
(196'9")																					19.0	(196'9")

S-boom length (ft)	(173'10")																					S-boom length (ft)
W-Luffing jib length (ft)	(137'9")			(147'7")			(157'5")			(167'3")			(177'1")			(186'11")			(196'9")			W-Luffing jib length (ft)
Radius (ft)	S-boom angle (°)																					Radius (ft)
	85	75	65	85	75	65	85	75	65	85	75	65	85	75	65	85	75	65	85	75	65	
(65'7")	78.5			69.0																		(65'7")
(72'1")	76.7			65.7			56.2			48.7			43.2									(72'1")
(78'8")	75.0			64.4			54.9			47.8			41.9			36.8			26.5			(78'8")
(85'3")	71.0			63.1			53.6			46.5			40.6			35.3			25.1			(85'3")
(91'10")	66.2			60.6			52.3			45.4			39.5			33.3			24.3			(91'10")
(98'4")	61.3			59.3			50.9			44.3			38.4			31.5			23.6			(98'4")
(104'11")	57.1			56.4			50.1			43.2			37.3			30.4			22.7			(104'11")
(111'6")	53.1			52.7			49.0			42.1			36.4			29.3			22.1			(111'6")
(118'0")	50.1	46.1		49.6	45.2		47.4			41.2			35.5			28.7			21.4			(118'0")
(124'7")	47.0	43.2		46.1	42.6		43.9	41.0		40.4			34.8			28.0			20.7			(124'7")
(131'2")	44.1	40.6		43.7	39.9		40.8	38.6		38.1	38.1		34.0	32.9		27.3			20.1			(131'2")
(137'9")	42.1	37.9		41.5	37.5		38.4	36.4		35.5	36.2		32.6	31.8		26.7	30.4		19.6			(137'9")
(144'3")	39.7	35.7		39.2	35.5		35.9	34.4		33.1	34.0		30.2	30.9		26.0	28.9		19.2	21.4		(144'3")
(150'10")	37.5	33.7		37.3	34.0		34.0	32.6		31.1	32.2		26.7	30.2		24.3	28.2		18.7	20.5		(150'10")
(157'5")		32.2		35.1	31.3		32.0	30.9		26.9	30.4		25.1	29.3		22.9	27.6		17.9	20.1		(157'5")
(164'0")		30.6	23.2		29.8		30.2	29.3		24.9	28.4		23.8	28.4		21.6	26.9		17.0	19.6		(164'0")
(170'6")		29.1	22.3		28.0	22.1	26.5	28.0		23.8	27.1		22.5	27.1		20.5	26.2		16.3	19.2		(170'6")
(177'1")		28.0	20.9		26.7	20.9		26.9	20.7	22.5	25.6		21.4	25.1		19.4	25.4		15.2	18.3		(177'1")

0066340-200-22-20Y

(183'8")		26.7	20.3		25.1	19.6		25.6	19.4		24.3	19.0	20.3	23.4		18.3	23.8		14.6	17.9		(183'8")
(190'2")			19.2		24.0	18.7		24.5	18.3		22.9	17.6	19.2	22.1	16.3	17.4	22.5	16.3	13.9	17.4		(190'2")
(196'9")			18.5			17.9		23.4	17.2		22.1	16.5		20.9	15.9	16.5	21.2	15.2	13.5	16.5		(196'9")
(203'4")			17.6			17.0		22.5	16.5		20.7	15.7		20.3	15.0	15.7	19.8	14.6	12.6	15.9	13.2	(203'4")
(209'11")			16.5			15.9			16.1		19.8	14.8		19.6	14.6		19.0	14.1	12.1	14.8	12.3	(209'11")

S-boom length (ft)	(173'10")																				S-boom length (ft)								
W-Luffing jib length (ft)	(137'9")				(147'7")				(157'5")				(167'3")				(177'1")				(186'11")				(196'9")				W-Luffing jib length (ft)
Radius (ft)	S-boom angle (°)																					Radius (ft)							
	85	75	65	85	75	65	85	75	65	85	75	65	85	75	65	85	75	65	85	75	65								
(216'5")						15.2			15.7			lb		19.0	13.7		17.9	13.7		14.1	11.7	(216'5")							
(223'0")						14.3			14.6			14.1		18.3	13.0		17.0	12.6		13.5	10.8	(223'0")							
(229'7")									13.9			13.2			12.6		16.1	12.1		13.0	10.1	(229'7")							
(236'1")												12.6			12.1			11.7		12.6	9.7	(236'1")							
(242'8")															11.7			11.0			9.0	(242'8")							
(249'3")															11.0			10.6			8.6	(249'3")							
(255'10")																		10.1			8.2	(255'10")							
(262'4")																		9.7			7.7	(262'4")							

S-boom length (ft)	(183'8")																				S-boom length (ft)								
W-Luffing jib length (ft)	(68'10")				(78'8")				(88'6")				(98'4")				(108'2")				(118'0")				(127'11")				W-Luffing jib length (ft)
Radius (ft)	S-boom angle (°)																				Radius (ft)								
	85	75	65	85	75	65	85	75	65	85	75	65	85	75	65	85	75	65	85	75		65							
(45'11")	129.9																					(45'11")							
(52'5")	120.0			120.0			118.6			117.1												(52'5")							
(59'0")	107.6			106.1			104.7			103.4			103.4				102.1					(59'0")							
(65'7")	96.6			95.7			95.0			93.7			93.1				92.4			90.0		(65'7")							
(72'1")	87.5			86.9			86.2			85.6			84.0				83.3			82.7		(72'1")							
(78'8")	80.0			79.2			78.5			77.8			77.2				76.5			75.9		(78'8")							
(85'3")	73.6			73.0			72.3			71.7			71.0				70.3			69.7		(85'3")							
(91'10")		71.4		67.5	71.4		67.3			66.8			66.2				65.5			64.8		(91'10")							
(98'4")		65.9		62.0	65.7		62.6	65.7		62.0			61.3				60.6			60.0		(98'4")							
(104'11")		61.1			60.9		58.7	60.9		58.0	60.4		57.1	60.2			56.4			55.8		(104'11")							
(111'6")		57.1			56.7			56.7		53.8	56.2		53.4	56.0			53.1	55.6		52.5	55.1	(111'6")							
(118'0")		53.1			52.9			52.9		49.6	52.5		50.3	52.3			49.6	52.0		49.0	51.8	(118'0")							
(124'7")					49.8			49.4			49.4		47.0	49.2			47.0	48.7		46.1	48.3	(124'7")							
(131'2")			41.9		46.7			46.7			46.3			46.3			44.1	45.6		43.4	45.4	(131'2")							
(137'9")			39.5			39.0		43.9			43.9			43.7				43.2		41.0	43.2	(137'9")							
(144'3")			37.5			37.0			37.0		41.5	36.6		41.2			41.0		38.6	40.8		(144'3")							
(150'10")			35.3			35.1			35.1			34.6		39.0	34.2		38.8			38.6		(150'10")							
(157'5")						33.3			33.3			32.9		37.0	32.6		37.0	32.4		36.6		(157'5")							
(164'0")									31.5			31.1			31.1		35.1	30.9		35.1	30.4	(164'0")							
(170'6")									30.2			29.8			29.5			29.5		33.3	28.9	(170'6")							
(177'1")												28.4				28.0			28.0		32.0	27.6	(177'1")						

0066340-200-22-20Y

(45'11")																26.7			26.7			26.2	(45'11")
(52'5")																25.6			25.6			24.9	(52'5")
(59'0")																			24.7			24.0	(59'0")
(65'7")																						22.7	(65'7")

S-boom length (ft)	(183'8")																					S-boom length (ft)
W-Luffing jib length (ft)	(137'9")			(147'7")			(157'5")			(167'3")			(177'1")			(186'11")			(196'9")			W-Luffing jib length (ft)
Radius (ft)	S-boom angle (°)																					Radius (ft)
	85	75	65	85	75	65	85	75	65	85	75	65	85	75	65	85	75	65	85	75	65	
(65'7")	78.7			69.2																		(65'7")
(72'1")	77.0			65.9			56.2			49.4			43.4									(72'1")
(78'8")	74.5			63.3			54.9			48.1			42.1			37.0			31.5			(78'8")
(85'3")	69.0			61.3			53.4			46.5			40.8			35.7			28.9			(85'3")
(91'10")	64.2			59.5			52.0			45.4			39.7			34.2			26.7			(91'10")
(98'4")	59.3			57.3			50.9			44.3			38.6			32.6			26.9			(98'4")
(104'11")	55.1			54.5			50.1			43.2			37.5			31.3			26.0			(104'11")
(111'6")	51.6			50.9			49.2			42.3			36.6			29.5			25.4			(111'6")
(118'0")	48.3	50.9		47.8			47.6			41.2			35.7			28.9			24.9			(118'0")
(124'7")	45.4	48.3		44.8	47.6		44.5	47.0		40.4			34.8			28.0			23.8			(124'7")
(131'2")	42.8	45.2		42.3	44.8		41.9	44.1		38.4	43.4		34.2			27.3			23.6			(131'2")
(137'9")	40.6	42.8		39.9	42.6		39.2	41.5		35.7	41.0		33.1	37.0		26.9	30.4		22.9			(137'9")
(144'3")	38.1	40.6		37.7	39.9		36.8	39.2		33.5	38.6		30.4	36.2		26.2	29.1		22.5	25.4		(144'3")
(150'10")	36.6	38.4		35.5	37.9		34.4	37.3		31.8	36.4		26.7	35.3		24.5	28.4		22.1	24.5		(150'10")
(157'5")		36.4		33.7	35.9		32.4	35.5		26.9	34.4		25.4	34.4		23.2	27.8		21.2	23.8		(157'5")
(164'0")		34.4		32.4	34.4		30.6	33.7		25.4	32.6		23.8	33.1		21.6	27.1		20.1	23.2		(164'0")
(170'6")		32.9	28.2		32.9		26.5	32.4		24.3	31.3		22.7	31.5		20.5	26.5		18.7	22.7		(170'6")

0066340-200-22-20Y

(177'1")		31.5	26.9		31.5	26.2		30.9		22.9	30.0		21.6	30.2		19.4	26.0		17.6	22.3		(177'1")
(183'8")		30.2	25.6		30.2	25.6		29.5	24.9	21.6	28.9		20.5	26.5		18.5	24.3		16.8	21.8		(183'8")
(190'2")			24.9		28.7	24.0		28.2	23.4		27.3	22.7	19.4	24.9	21.6	17.4	22.9		16.1	20.9		(190'2")

S-boom length (ft)	(183'8")																					S-boom length (ft)
W-Luffing jib length (ft)	(137'9")			(147'7")			(157'5")			(167'3")			(177'1")			(186'11")			(196'9")			W-Luffing jib length (ft)
Radius (ft)	S-boom angle (°)																					Radius (ft)
	85	75	65	85	75	65	85	75	65	85	75	65	85	75	65	85	75	65	85	75	65	
(196'9")			23.4		27.3	22.7		26.9	22.1		26.0	22.1		23.6	21.4	16.5	21.6	20.7	15.0	19.8		(196'9")
(203'4")			22.1			22.1		26.0	21.4		24.5	20.7		22.3	20.7	15.7	20.3	20.1	14.3	18.7	19.4	(203'4")
(209'11")			21.4			20.7			20.7		23.4	20.1		21.4	19.4		19.2	18.5	13.5	17.6	18.5	(209'11")
(216'5")			20.7			20.1			19.4		22.1	19.4		20.3	18.5		18.3	17.9		16.8	17.2	(216'5")
(223'0")						19.4			18.5			17.9		19.2	17.9		17.4	17.2		15.9	16.5	(223'0")
(229'7")									17.9			17.2			17.2		16.5	16.5		15.0	15.9	(229'7")
(236'1")									17.2			16.5			15.9		15.7	15.9		14.1	15.2	(236'1")
(242'8")												15.9			15.2			15.2		13.5	14.6	(242'8")
(249'3")															14.6			14.6			13.9	(249'3")
(255'10")															13.9			13.9			13.0	(255'10")
(262'4")																		13.0			12.3	(262'4")
(268'11")																					11.7	(268'11")

S-boom length (ft)	(193'6")																				S-boom length (ft)								
W-Luffing jib length (ft)	(68'10")				(78'8")				(88'6")				(98'4")				(108'2")				(118'0")				(127'11")				W-Luffing jib length (ft)
Radius (ft)	S-boom angle (°)																				Radius (ft)								
	85	75	65	85	75	65	85	75	65	85	75	65	85	75	65	85	75	65	85	75		65	Radius (ft)						
(45'11")	129.2																					(45'11")							
(52'5")	117.1			115.8			114.4															(52'5")							
(59'0")	103.4			103.4			102.1			101.2			100.5			94.8						(59'0")							
(65'7")	93.7			93.1			92.4			91.1			90.2			89.5			88.2			(65'7")							
(72'1")	85.6			84.0			84.0			82.7			82.0			81.4			80.0			(72'1")							
(78'8")	77.8			77.2			76.5			75.9			74.5			74.5			73.0			(78'8")							
(85'3")	71.7			71.0			70.3			69.7			68.4			68.1			67.5			(85'3")							
(91'10")		70.3		66.2			64.4			64.8			62.4			63.5			60.9			(91'10")							
(98'4")		65.3		61.3	65.0		58.9			60.0			57.1			59.3			55.6			(98'4")							
(104'11")		60.4			60.2		54.2	54.5		55.8	53.4		52.5			55.1			50.9			(104'11")							
(111'6")		56.2			56.0			50.9		52.5	49.6		48.5	49.2		51.4	48.3		46.7			(111'6")							
(118'0")		52.5			52.3			47.6		49.0	46.7		45.0	46.1		48.3	44.8		43.2	43.7		(118'0")							
(124'7")		49.2			49.2			44.8			43.9		41.7	43.2		45.4	42.6		40.1	41.5		(124'7")							
(131'2")			40.8		46.1			42.3			41.0			40.8		42.8	39.7		37.0	39.2		(131'2")							
(137'9")			38.4			38.4		39.7			38.8			38.4		40.4	37.7		34.4	37.0		(137'9")							
(144'3")			36.4			36.4			28.9		36.8			36.2			35.7		32.0	34.8		(144'3")							
(150'10")			34.4			34.2			27.8		34.8	26.5		34.2			33.7			33.1		(150'10")							
(157'5")						32.6			26.5			25.1		32.4	24.7		32.0			31.1		(157'5")							
(164'0")						30.9			24.9			23.8			23.6		30.2	22.3		29.5		(164'0")							
(170'6")								23.6			22.9				22.5		28.9	21.2		27.8	21.2	(170'6")							
(177'1")											22.1				21.4			20.3		26.5	19.8	(177'1")							

0066340-200-22-20Y

S-boom length (ft)	(193'6")																					S-boom length (ft)			
W-Luffing jib length (ft)	(68'10")			(78'8")			(88'6")			(98'4")			(108'2")			(118'0")			(127'11")			W-Luffing jib length (ft)			
Radius (ft)	S-boom angle (°)																					Radius (ft)			
	85	75	65	85	75	65	85	75	65	85	75	65	85	75	65	85	75	65	85	75	65				
(183'8")													20.9					20.1			19.2			19.0	(183'8")
(190'2")																		19.2			18.1			17.9	(190'2")
(196'9")																					17.6			17.2	(196'9")
(203'4")																					16.5			16.3	(203'4")
(209'11")																								15.2	(209'11")

S-boom length (ft)	(193'6")																					S-boom length (ft)
W-Luffing jib length (ft)	(137'9")			(147'7")			(157'5")			(167'3")			(177'1")			(186'11")			(196'9")			W-Luffing jib length (ft)
Radius (ft)	S-boom angle (°)																					Radius (ft)
	85	75	65	85	75	65	85	75	65	85	75	65	85	75	65	85	75	65	85	75	65	
(65'7")	78.9			69.5																		(65'7")
(72'1")	73.9			66.2			56.7			49.4			43.7									(72'1")
(78'8")	68.6			64.8			55.3			48.3			42.3			37.0			26.0			(78'8")
(85'3")	63.9			63.5			53.8			47.0			40.8			35.9			25.6			(85'3")
(91'10")	59.5			58.9			52.5			45.6			39.9			34.2			24.5			(91'10")
(98'4")	55.1			57.1			51.2			44.5			38.8			32.6			23.8			(98'4")
(104'11")	50.5			53.1			50.1			43.4			37.7			31.1			23.2			(104'11")
(111'6")	46.5			49.6			48.5			42.3			36.6			29.5			22.3			(111'6")
(118'0")	42.8	43.2		46.1			45.9			39.7			35.7			28.9			21.6			(118'0")
(124'7")	39.7	40.6		43.4	37.9		43.0			36.6			35.1			28.2			20.9			(124'7")
(131'2")	36.6	38.4		41.5	37.5		40.6	36.4		33.7	34.8		34.2			27.6			20.1			(131'2")
(137'9")	34.0	36.2		38.6	35.5		38.1	34.0		31.1	34.0		33.3	30.6		26.9			19.6			(137'9")
(144'3")	31.5	34.2		36.6	33.5		36.2	32.0		28.9	32.2		30.4	29.3		26.0	24.7		19.2	21.6		(144'3")
(150'10")	31.1	32.4		34.8	31.5		34.4	30.6		26.7	30.2		26.9	27.8		24.9	24.3		18.7	21.4		(150'10")
(157'5")	30.4	30.6		33.1	30.0		32.4	29.3		24.7	28.4		25.4	26.5		23.2	23.6		18.3	20.7		(157'5")
(164'0")		29.3		28.2	28.2		30.9	28.2		22.7	27.1		24.0	25.1		22.1	22.7		17.2	19.8		(164'0")
(170'6")		28.2		26.9	26.9		26.5	26.9		21.8	25.8		22.7	24.0		20.7	21.6		16.5	19.4		(170'6")
(177'1")		27.1	19.2	25.6	25.6		25.6	25.6		20.7	24.3		21.6	22.9		19.4	20.5		15.4	19.0		(177'1")
(183'8")		25.8	18.7	24.0	17.6		24.5	16.8		22.9	22.9		20.5	22.1		18.5	19.8		14.8	18.3		(183'8")
(190'2")		24.5	17.6	22.9	16.8		23.4	15.9		21.6	15.4		19.6	20.9		17.6	19.2		14.1	17.9		(190'2")
(196'9")			16.5	21.6	15.7		22.3	15.4		20.5	14.6		20.1	14.1		16.8	18.5		13.5	17.2		(196'9")
(203'4")			16.1		15.0		21.2	14.6		19.6	13.7		19.2	13.7		15.9	17.9	13.0	12.8	16.3		(203'4")

0066340-200-22-20Y

S-boom length (ft)	(193'6")																					S-boom length (ft)
W-Luffing jib length (ft)	(137'9")			(147'7")			(157'5")			(167'3")			(177'1")			(186'11")			(196'9")			W-Luffing jib length (ft)
Radius (ft)	S-boom angle (°)																					Radius (ft)
	85	75	65	85	75	65	85	75	65	85	75	65	85	75	65	85	75	65	85	75	65	
(209'11")			15.0			14.1		20.5	12.1		18.7	13.0		18.7	12.6		17.2	12.6	12.3	15.7	10.4	(209'11")
(216'5")			14.6			13.5			11.5		17.6	12.3		17.6	12.1		16.3	11.7		14.8	9.7	(216'5")
(223'0")			13.9			12.8			11.0			11.7		17.2	11.7		15.4	11.0		14.1	9.3	(223'0")
(229'7")						12.1			10.6			10.8			11.0		15.0	10.6		13.5	8.6	(229'7")
(236'1")									11.5			10.4			10.6		14.1	10.1		12.8	8.2	(236'1")
(242'8")												9.7			10.1			9.7		12.3	7.7	(242'8")
(249'3")												9.3			9.7			9.0			7.1	(249'3")
(255'10")															9.0			8.6			6.8	(255'10")
(262'4")																		8.6			6.8	(262'4")
(268'11")																		8.2			6.6	(268'11")
(275'6")																						(275'6")

S-boom length (ft)	(203'4")																					S-boom length (ft)	
	(68'10")			(78'8")			(88'6")			(98'4")			(108'2")			(118'0")			(127'11")				W-Luffing jib length (ft)
W-Luffing jib length (ft)	S-boom angle (°)																					Radius (ft)	
	85	75	65	85	75	65	85	75	65	85	75	65	85	75	65	85	75	65	85	75	65		Radius (ft)
(45'11")	129.7																					(45'11")	
(52'5")	113.1			112.2			111.6															(52'5")	
(59'0")	101.2			100.5			99.2			98.6			97.9			96.6						(59'0")	
(65'7")	91.1			90.2			89.5			88.2			87.5			86.9			85.6			(65'7")	
(72'1")	82.7			82.0			81.4			80.0			79.4			78.5			77.8			(72'1")	
(78'8")	75.9			75.2			74.5			73.0			72.3			71.7			71.0			(78'8")	
(85'3")	69.7			69.0			68.1			67.5			66.6			66.8			66.2			(85'3")	
(91'10")	64.8	69.0		64.2			63.5			62.6			62.0			62.0			60.6			(91'10")	
(98'4")		64.2		60.0	63.5		59.3			58.7			58.0			57.1			56.4			(98'4")	
(104'11")		59.8			59.3		55.1	59.1		54.5	58.0		53.8			53.1			52.5			(104'11")	
(111'6")		55.6			55.1			55.1		50.9	53.8		50.3	53.8		49.6			49.0			(111'6")	
(118'0")		51.8			51.8			50.9		47.6	50.9		47.2	49.6		47.0	49.6		46.1	49.0		(118'0")	
(124'7")		48.5			48.5			47.6			48.1		44.5	46.5		44.1	47.0		43.4	45.4		(124'7")	
(131'2")					45.6			44.8			45.2			44.1		41.5	44.1		40.6	43.0		(131'2")	
(137'9")			37.3					42.8			42.6			42.1		39.2	41.5		38.6	40.1		(137'9")	
(144'3")			35.7			34.4		40.6			39.9			39.9		39.2			36.6	37.7		(144'3")	
(150'10")			33.1			33.1			32.4		38.1			37.9		37.3			35.3		35.3	(150'10")	
(157'5")			32.0			31.8			31.5		30.4			35.9	29.1		35.3			33.5		(157'5")	
(164'0")						30.2			29.5				28.9		34.2	27.8		33.7	27.1		32.2	(164'0")	
(170'6")									28.2				27.6			26.7		32.4	26.0		31.3	25.4	(170'6")

S-boom length (ft)	(203'4")																					S-boom length(ft)
W-Luffing jib length (ft)	(68'10")	(78'8")	(88'6")	(98'4")	(108'2")	(118'0")	(127'11")	W-Luffing jib length (ft)														
Radius (ft)	S-boom angle (°)																					Radius (ft)
	85	75	65	85	75	65	85	75	65	85	75	65	85	75	65	85	75	65	85	75	65	
(177'1")									26.9			26.2			25.4			24.7		30.4	24.0	(177'1")
(183'8")									26.0			24.9			24.0			23.4		28.9	22.7	(183'8")
(190'2")															22.7			22.7			21.6	(190'2")
(196'9")															21.6			21.6			20.9	(196'9")
(203'4")																		20.3			19.6	(203'4")
(209'11")																					19.0	(209'11")

0066340-200-22-20Y

S-boom length (ft)	(203'4")																					S-boom length (ft)
W-Luffing jib length (ft)	(137'9")			(147'7")			(157'5")			(167'3")			(177'1")			(186'11")			(196'9")			W-Luffing jib length (ft)
Radius (ft)	S-boom angle (°)																					Radius (ft)
	85	75	65	85	75	65	85	75	65	85	75	65	85	75	65	85	75	65	85	75	65	
(65'7")	79.2																					(65'7")
(72'1")	76.1			67.7			56.9			49.8												(72'1")
(78'8")	70.3			64.8			55.6			48.3			42.6			37.3			32.6			(78'8")
(85'3")	65.0			62.2			54.0			47.0			41.0			36.2			29.1			(85'3")
(91'10")	60.0			58.4			52.7			45.6			39.9			34.4			28.0			(91'10")
(98'4")	55.8			55.1			51.2			44.5			39.0			32.9			27.3			(98'4")
(104'11")	52.0			51.6			49.4			43.7			37.9			31.3			26.5			(104'11")
(111'6")	48.5			48.3			47.0			42.6			36.8			30.2			25.8			(111'6")
(118'0")	45.4			44.8			44.5			41.5			35.7			28.9			24.9			(118'0")
(124'7")	42.8	45.4		42.1	44.8		41.7			40.6			35.1			28.2			24.3			(124'7")
(131'2")	40.4	42.8		39.5	42.3		39.2	41.5		38.6			34.2			27.6			23.6			(131'2")
(137'9")	37.9	39.9		37.5	39.9		37.3	39.2		36.6	38.6		33.1	37.7		26.9			23.2			(137'9")
(144'3")	35.9	37.7		35.3	37.3		35.1	37.3		34.4	36.2		30.9	35.9		26.2	30.4		22.7			(144'3")
(150'10")	34.2	35.9		33.5	35.3		33.1	35.1		32.6	34.4		27.1	34.4		24.9	28.9		22.1	25.1		(150'10")
(157'5")	32.4	34.4		32.2	33.7		32.0	33.1		30.6	33.1		25.8	32.4		23.2	28.2		21.2	24.3		(157'5")
(164'0")		33.1		31.1	32.0		30.4	31.5		25.8	31.8		24.5	31.1		21.8	27.6		20.1	23.8		(164'0")
(170'6")		31.8			30.4		26.9	29.8		24.5	30.4		23.2	29.5		20.7	26.9		19.0	23.2		(170'6")
(177'1")		30.4	24.0		29.1		25.6	28.2		23.2	28.9		22.1	28.2		19.6	26.2		17.9	22.7		(177'1")
(183'8")		28.9	23.4		27.8	22.7		27.1		22.1	27.6		20.9	26.9		18.7	25.8		17.0	22.1		(183'8")
(190'2")		27.6	22.1		26.9	21.4		26.0	20.7		26.2		20.1	25.6		17.6	24.0		15.9	21.6		(190'2")
(196'9")			20.7		26.2	20.7		24.7	20.1		24.9			24.0		16.8	22.7		15.0	20.7		(196'9")
(203'4")			20.1			19.4		24.0	19.4		23.4	18.5		23.4	17.2	16.1	21.4	16.5	13.7	19.4		(203'4")

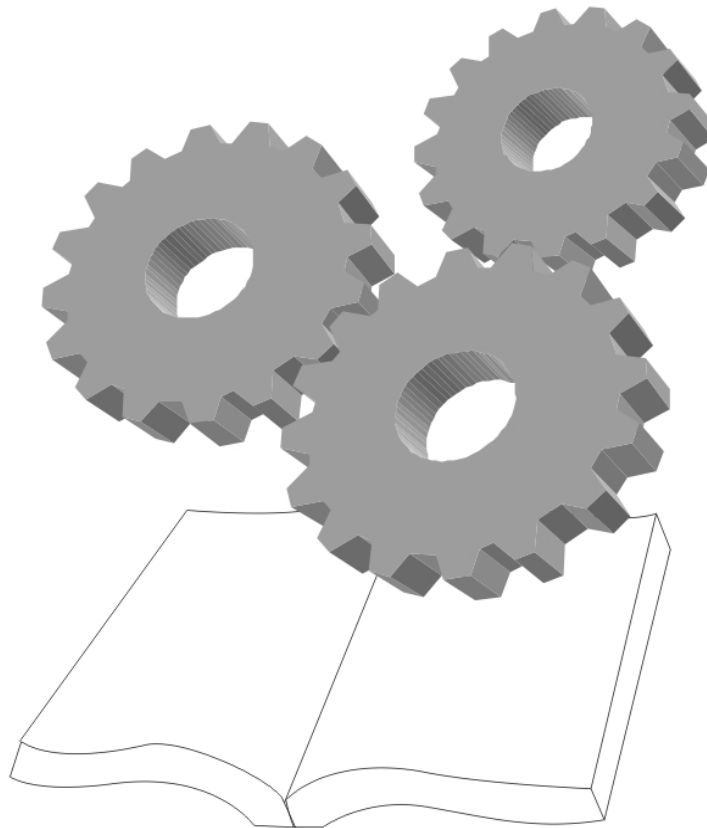
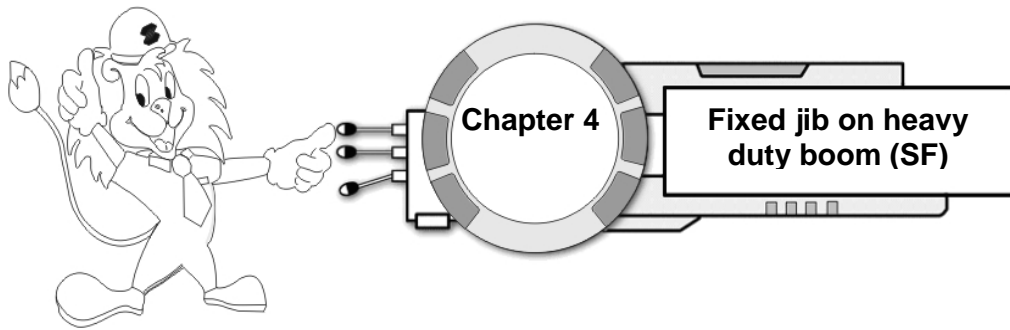
--	--	--	--	--	--	--	--	--	--	--	--	--	--	--	--	--	--	--	--	--	--	--	--	--

S-boom length (ft)	62																					S-boom length(ft)				
W-Luffing jib length (ft)	(137'9")	(147'7")	(157'5")	(167'3")	(177'1")	(186'11")	(196'9")	W-Luffing jib length (ft)																		
Radius (ft)	S-boom angle (°)																					Radius (ft)				
	85	75	65	85	75	65	85	75	65	85	75	65	85	75	65	85	75	65	85	75	65					
(209'11")			19.4			18.5			23.4	17.9			22.7	17.2			22.1	16.5			20.1	15.9	13.7	18.5	15.2	(209'11")
(216'5")			17.9			17.9			17.2				22.1	16.5			21.4	15.9			19.2	15.2		17.4	14.6	(216'5")
(223'0")			17.2			17.2			16.5					15.9			20.3	15.2			18.1	14.6		16.5	13.9	(223'0")
(229'7")						15.9			15.2					14.6				13.9			17.2	13.9		15.7	13.2	(229'7")
(236'1")						15.2			14.6					13.9				13.2			16.3	13.2		14.8	12.6	(236'1")
(242'8")									13.9					13.0				12.6				12.6		13.9	12.1	(242'8")
(249'3")									13.0					12.8				12.1				12.1		13.2	11.5	(249'3")
(255'10")									12.3					12.3				12.1				11.5			10.8	(255'10")
(262'4")														11.7				11.5				10.8			10.1	(262'4")
(268'11")																						10.1			9.9	(268'11")
(275'6")																									9.5	(275'6")



Note:

- Whether the tip boom is used or not, the lifting capacity on luffing jib is the same.
- When tip boom is used, the lifting capacity on tip boom is the same as that on luffing jib head within the same radius, but it can not exceed 27.6x1000lb.



ZOOMLION



Note: The lifting capacity is given in “(lb)×1000”, and “*/” indicates “lifting capacity/radius”. The lifting capacities whose background colors are grey are determined by strength of boom frame; while those whose background color are white depend on the stability of the machine.

S-boom length (ft)	(95'1")								S-boom length (ft)
F-fixed jib length (ft)	(39'4")		(59'0")		(78'8")		(98'4")		F-fixed jib length (ft)
Radius (ft)	F-fixed jib angle (°)								Radius (ft)
	10	30	10	30	10	30	10	30	
(32'9")	75.0/(34'5")								(32'9")
(39'4")	72.8								(39'4")
(45'11")	71.7		59.5						(45'11")
(52'5")	70.6	63.5	59.1		40.1				(52'5")
(59'0")	69.0	59.1	56.7	45.2	39.9		28.7		(59'0")
(65'7")	67.7	56.4	54.9	44.3	39.2		28.4		(65'7")
(72'1")	66.2	54.0	53.4	42.1	38.1	31.1	27.8		(72'1")
(78'8")	63.9	51.6	51.6	40.4	37.3	30.9	27.6		(78'8")
(85'3")	61.7	49.4	50.3	38.6	36.6	30.6	27.1	22.1	(85'3")
(91'10")	59.5	47.6	48.7	37.0	35.7	30.0	26.5	21.8	(91'10")
(98'4")	56.2	46.1	46.7	35.7	35.1	28.7	25.8	21.6	(98'4")
(104'11")	52.9	44.5	45.6	34.4	34.2	27.6	25.4	21.2	(104'11")
(111'6")	49.8	43.2	44.1	33.1	33.5	26.5	24.7	20.7	(111'6")
(118'0")	47.8	42.3	41.7	32.2	32.9	25.6	24.0	20.3	(118'0")
(124'7")		41.5	39.7	31.1	32.4	24.5	23.4	19.8	(124'7")
(131'2")			37.7	30.0	31.1	23.8	22.9	19.2	(131'2")
(137'9")			35.5	29.1	30.4	23.2	22.5	18.5	(137'9")
(144'3")				28.4	29.8	22.3	22.1	18.1	(144'3")
(150'10")					28.7	21.6	21.6	17.6	(150'10")
(157'5")					26.9	21.2	20.9	17.2	(157'5")
(164'0")						19.8	20.7	16.5	(164'0")
(170'6")							20.3	16.3	(170'6")
(177'1")							20.1	15.9	(177'1")
(183'8")								15.9	(183'8")
(190'2")									(190'2")

S-boom length (ft)	(104'11")								S-boom length (ft)
F-fixed jib length (ft)	(39'4")		(59'0")		(78'8")		(98'4")		F-fixed jib length(ft)
Radius(ft)	F-fixed jib angle (°)								Radius (ft)
	10	30	10	30	10	30	10	30	
(39'4")	72.8								(39'4")
(45'11")	71.7		59.1						(45'11")
(52'5")	70.6	63.5	58.4		39.9				(52'5")
(59'0")	69.0	60.2	56.0		39.7		30.9		(59'0")
(65'7")	67.7	57.6	54.5	44.5	39.0		30.6		(65'7")
(72'1")	66.2	55.1	52.9	42.8	37.9		30.2		(72'1")
(78'8")	63.9	52.7	50.9	41.0	37.0	30.9	29.3		(78'8")
(85'3")	61.7	50.7	49.8	39.5	36.4	30.6	28.2		(85'3")
(91'10")	59.5	48.7	48.3	37.7	35.5	30.2	27.1	21.8	(91'10")
(98'4")	56.2	47.0	46.3	36.4	34.8	29.3	26.0	21.6	(98'4")
(104'11")	52.9	45.4	45.2	35.1	34.0	28.2	25.1	21.2	(104'11")
(111'6")	49.8	44.1	43.7	33.7	33.3	27.1	24.3	20.7	(111'6")
(118'0")	47.8	43.0	41.2	32.6	32.6	26.0	23.6	20.3	(118'0")
(124'7")	46.1	41.9	39.5	31.5	32.2	25.1	22.7	20.1	(124'7")
(131'2")	42.8	41.2	37.3	30.4	30.9	24.3	22.1	19.6	(131'2")
(137'9")			35.3	29.5	30.2	23.6	21.4	19.0	(137'9")
(144'3")			33.5	28.9	29.5	22.7	20.9	18.5	(144'3")
(150'10")			32.4	27.1	28.4	22.1	20.5	17.9	(150'10")
(157'5")					26.7	21.4	28.4	17.4	(157'5")
(164'0")					25.4	20.9	26.7	17.0	(164'0")
(170'6")						20.5	25.4	16.5	(170'6")
(177'1")							21.4	16.3	(177'1")
(183'8")							19.8	15.9	(183'8")
(190'2")								15.7	(190'2")

S-boom length (ft)	(114'9")								S-boom length(ft)
F-fixed jib length (ft)	(39'4")		(59'0")		(78'8")		(98'4")		F-fixed jib length (ft)
Radius (ft)	F-fixed jib angle (°)								Radius (ft)
	10	30	10	30	10	30	10	30	
(39'4")	70.6								(39'4")
(45'11")	69.0		58.4						(45'11")
(52'5")	67.7	62.8	57.8		39.9				(52'5")
(59'0")	66.2	61.1	55.6		39.7		28.7		(59'0")
(65'7")	63.9	58.4	54.0	44.1	39.0		28.4		(65'7")
(72'1")	61.7	56.2	52.3	43.4	37.9		27.8		(72'1")
(78'8")	59.5	53.8	50.5	41.7	37.0	30.9	27.3		(78'8")
(85'3")	56.2	51.8	49.4	40.1	36.4	30.6	26.7		(85'3")
(91'10")	52.9	49.8	47.6	38.6	35.5	30.2	26.0	21.6	(91'10")
(98'4")	49.8	48.1	45.9	37.0	34.8	29.8	25.4	21.4	(98'4")
(104'11")	47.8	46.5	44.8	35.7	34.0	28.7	24.7	20.9	(104'11")
(111'6")	46.1	45.0	43.2	34.6	33.3	27.6	24.0	20.7	(111'6")
(118'0")	42.8	43.9	40.8	33.3	32.6	26.7	23.6	20.1	(118'0")
(124'7")	40.4	42.6	39.0	32.2	32.2	25.6	22.9	19.8	(124'7")
(131'2")	37.7	41.5	37.0	31.1	30.9	24.7	22.5	19.6	(131'2")
(137'9")	70.6	38.8	34.8	30.0	30.2	24.0	22.1	19.2	(137'9")
(144'3")			33.3	28.4	29.5	23.2	21.6	18.7	(144'3")
(150'10")			32.2	26.9	28.4	22.5	21.2	18.1	(150'10")
(157'5")				25.8	26.7	21.8	20.7	17.6	(157'5")
(164'0")					25.4	21.2	20.3	17.2	(164'0")
(170'6")					23.8	20.7	19.8	16.8	(170'6")
(177'1")					22.5	20.3	19.6	16.3	(177'1")
(183'8")							19.0	16.1	(183'8")
(190'2")							18.5	15.9	(190'2")
(196'9")								15.7	(196'9")

S-boom length (ft)	(124'7")								S-boom length(ft)
F-fixed jib length (ft)	(39'4")	(59'0")		(78'8")		(98'4")		F-fixed jib length (ft)	
Radius(ft)	F-fixed jib angle (°)								Radius(ft)
	10	30	10	30	10	30	10	30	
(45'11")									(45'11")
(52'5")		62.8	57.3						(52'5")
(59'0")		62.0	54.9		39.2				(59'0")
(65'7")		59.3	53.4	43.7	38.6		28.2		(65'7")
(72'1")		57.1	51.8	43.0	37.7		27.6		(72'1")
(78'8")		54.7	50.1	42.3	36.6	30.9	27.1		(78'8")
(85'3")		52.7	49.0	40.6	35.9	30.6	26.5		(85'3")
(91'10")		50.7	47.2	39.0	35.1	30.2	25.8	21.4	(91'10")
(98'4")		49.0	45.4	37.7	34.4	29.8	24.9	21.2	(98'4")
(104'11")		47.4	44.3	36.4	33.7	29.1	24.5	20.7	(104'11")
(111'6")		45.9	42.8	35.1	32.9	28.0	23.8	20.5	(111'6")
(118'0")		44.8	40.4	34.0	32.2	27.1	23.4	20.1	(118'0")
(124'7")		43.0	38.6	32.9	31.8	26.0	22.7	19.6	(124'7")
(131'2")		41.0	36.6	31.5	30.6	25.1	22.3	19.4	(131'2")
(137'9")		38.4	34.6	30.2	30.0	24.5	21.8	19.0	(137'9")
(144'3")		36.4	32.9	28.2	29.3	23.6	21.4	19.0	(144'3")
(150'10")		34.6	31.8	26.7	28.2	22.9	20.9	18.3	(150'10")
(157'5")			30.6	25.6	26.5	22.3	20.5	17.9	(157'5")
(164'0")			29.5	23.8	24.9	21.6	20.3	17.4	(164'0")
(170'6")				22.7	23.6	20.9	19.6	17.0	(170'6")
(177'1")					22.3	20.3	19.4	16.5	(177'1")
(183'8")						21.2	20.1	19.0	(183'8")
(190'2")							19.2	18.3	(190'2")
(196'9")								18.1	(196'9")
(203'4")								17.6	(203'4")
(209'11")								15.4	(209'11")

S-boom length (ft)	(134'5")								S-boom length (ft)
F-fixed jib length(ft)	(39'4")	(59'0")	(78'8")	(98'4")					F-fixed jib length(ft)
Radius(ft)	F-fixed jib angle (°)								Radius(ft)
	10	30	10	30	10	30	10	30	
(45'11")	71.7								(45'11")
(52'5")	70.6		56.7						(52'5")
(59'0")	69.0	61.3	54.5		38.8				(59'0")
(65'7")	67.7	60.2	52.9		38.1		28.0		(65'7")
(72'1")	66.2	58.0	51.4	43.2	37.3		27.3		(72'1")
(78'8")	63.9	55.8	49.4	42.6	36.4	30.9	26.9		(78'8")
(85'3")	61.7	53.6	48.3	41.2	35.7	30.6	26.0		(85'3")
(91'10")	59.5	51.8	46.7	39.9	34.8	30.2	25.4	21.2	(91'10")
(98'4")	56.2	49.8	45.0	38.4	34.2	29.8	24.7	20.9	(98'4")
(104'11")	52.9	48.3	43.9	37.0	33.3	29.3	24.3	20.5	(104'11")
(111'6")	49.8	46.7	42.3	35.9	32.6	28.4	23.6	20.3	(111'6")
(118'0")	47.8	45.4	40.1	34.8	32.0	27.8	23.2	19.8	(118'0")
(124'7")	46.1	42.6	38.1	33.7	31.5	26.7	22.5	19.6	(124'7")
(131'2")	42.8	40.6	36.2	32.6	30.4	26.0	22.1	19.4	(131'2")
(137'9")	40.4	38.1	34.2	31.5	29.8	25.6	21.6	19.0	(137'9")
(144'3")	37.7	36.2	32.6	30.0	29.1	24.5	21.2	19.0	(144'3")
(150'10")	35.3	34.2	31.5	28.0	28.0	23.6	20.7	18.3	(150'10")
(157'5")	32.9	27.8	30.4	26.5	26.0	22.7	20.3	18.1	(157'5")
(164'0")			29.3	25.4	24.7	21.8	20.1	17.6	(164'0")
(170'6")			28.2	23.6	23.4	21.2	19.6	17.2	(170'6")
(177'1")				22.5	22.1	20.3	19.4	16.8	(177'1")
(183'8")					20.9	20.1	18.7	16.5	(183'8")
(190'2")						19.2	18.3	16.1	(190'2")
(196'9")						18.5	18.1	15.9	(196'9")
(203'4")							17.6	15.7	(203'4")
(209'11")							17.0	15.4	(209'11")
(216'5")								15.4	(216'5")

S-boom length(ft)	(144'3")								S-boom length (ft)
F-fixed jib length(ft)	(39'4")	(59'0")	(78'8")	(98'4")					F-fixed jib length (ft)
Radius(ft)	F-fixed jib angle (°)								Radius (ft)
	10	30	10	30	10	30	10	30	
(45'11")	71.7								(45'11")
(52'5")	70.6		56.2						(52'5")
(59'0")	69.0	60.6	53.8		38.4				(59'0")
(65'7")	67.7	59.8	52.3		37.7		27.6		(65'7")
(72'1")	66.2	59.3	50.7	42.8	36.8		26.9		(72'1")
(78'8")	63.9	57.3	49.0	42.1	35.9		26.5		(78'8")
(85'3")	61.7	55.1	47.8	41.7	35.3	30.6	25.8		(85'3")
(91'10")	59.5	53.4	46.3	40.4	34.4	30.2	25.1		(91'10")
(98'4")	56.2	50.9	44.5	39.0	33.7	29.8	24.5	20.7	(98'4")
(104'11")	52.9	49.0	43.4	37.7	33.1	29.3	24.0	20.3	(104'11")
(111'6")	49.8	47.0	41.9	36.4	32.2	28.4	23.4	20.1	(111'6")
(118'0")	47.8	45.2	39.7	35.3	31.5	27.8	22.9	19.6	(118'0")
(124'7")	46.1	42.1	37.9	34.2	31.1	26.7	22.3	19.4	(124'7")
(131'2")	42.8	40.1	35.9	33.1	30.0	26.0	21.8	19.2	(131'2")
(137'9")	39.7	37.7	34.0	31.8	29.3	25.6	21.4	18.7	(137'9")
(144'3")	37.0	35.7	32.2	29.8	28.7	24.5	20.9	18.7	(144'3")
(150'10")	34.6	34.0	31.1	27.6	27.6	23.6	20.5	18.3	(150'10")
(157'5")	32.4	32.9	30.0	26.0	25.8	22.7	20.1	18.1	(157'5")
(164'0")	30.4	30.6	28.9	25.1	24.5	21.8	19.8	17.6	(164'0")
(170'6")			27.8	23.4	23.2	21.2	19.4	17.4	(170'6")
(177'1")			26.7	22.3	21.8	20.3	19.2	17.0	(177'1")
(183'8")			26.0	20.5	20.7	20.1	18.5	16.8	(183'8")
(190'2")					19.6	19.2	18.1	16.3	(190'2")
(196'9")					18.7	18.5	17.9	16.1	(196'9")
(203'4")					17.9	17.9	17.4	15.7	(203'4")
(209'11")							16.8	15.7	(209'11")
(216'5")							16.3	15.4	(216'5")
(223'0")								15.2	(223'0")

S-boom length(ft)	(154'1")								S-boom length (ft)
	(39'4")		(59'0")		(78'8")		(98'4")		
Radius(ft)	F-fixed jib angle (°)								Radius(ft)
	10	30	10	30	10	30	10	30	
(45'11")	71.7								(45'11")
(52'5")	70.6		55.6						(52'5")
(59'0")	69.0	60.6	53.4		38.1				(59'0")
(65'7")	67.7	59.8	51.8		37.5		27.3		(65'7")
(72'1")	66.2	59.3	50.3	42.3	36.6		26.7		(72'1")
(78'8")	63.9	57.3	48.5	41.7	35.7		26.2		(78'8")
(85'3")	61.7	55.1	47.4	41.2	35.1	30.2	25.6		(85'3")
(91'10")	59.5	53.4	45.9	40.4	34.2	29.8	24.9		(91'10")
(98'4")	56.2	50.9	44.1	39.5	33.5	29.3	24.3	20.5	(98'4")
(104'11")	52.9	49.0	43.0	38.1	32.6	28.9	23.8	20.1	(104'11")
(111'6")	49.2	47.0	41.5	37.0	32.0	28.2	23.2	19.8	(111'6")
(118'0")	47.2	45.2	39.2	35.7	31.3	27.6	22.7	19.4	(118'0")
(124'7")	45.2	42.1	37.5	34.6	30.9	26.5	22.1	19.2	(124'7")
(131'2")	42.1	40.1	35.5	33.5	29.8	25.8	21.6	19.0	(131'2")
(137'9")	39.2	37.7	33.5	31.3	29.1	25.4	21.2	18.5	(137'9")
(144'3")	36.6	35.7	32.0	29.3	28.4	24.3	20.7	18.5	(144'3")
(150'10")	34.0	34.0	30.9	27.3	27.3	23.4	20.3	18.1	(150'10")
(157'5")	31.8	32.2	29.8	25.8	25.6	22.5	19.8	17.9	(157'5")
(164'0")	29.8	30.2	28.7	24.9	24.3	21.6	19.6	17.4	(164'0")
(170'6")	27.8	28.2	27.6	23.2	22.9	20.9	19.2	17.2	(170'6")
(177'1")		26.5	26.5	22.1	21.6	20.1	19.0	17.0	(177'1")
(183'8")			25.6	20.3	20.5	19.8	18.3	16.8	(183'8")
(190'2")			23.8	19.8	19.4	19.0	17.9	16.5	(190'2")
(196'9")				17.6	18.5	18.3	17.6	16.3	(196'9")
(203'4")					17.6	17.6	17.2	15.9	(203'4")
(209'11")					16.5	16.5	16.5	15.7	(209'11")
(216'5")						15.4	16.1	15.4	(216'5")
(223'0")							15.4	15.2	(223'0")
(229'7")							15.0	14.1	(229'7")
(236'1")								12.3	(236'1")

S-boom length (ft)	(164'0")								S-boom length (ft)
F-fixed jib length (ft)	(39'4")		(59'0")		(78'8")		(98'4")		F-fixed jib length (ft)
Radius (ft)	F-fixed jib angle (°)								Radius (ft)
	10	30	10	30	10	30	10	30	
(45'11")	71.7/ (46'6")								(45'11")
(52'5")	70.6		56.4						(52'5")
(59'0")	68.6	60.6	54.2						(59'0")
(65'7")	67.3	59.8	52.0		37.5				(65'7")
(72'1")	65.9	59.1	50.3	42.3	36.8		21.8		(72'1")
(78'8")	63.1	58.0	48.7	42.1	36.2		21.4		(78'8")
(85'3")	60.0	57.6	47.2	41.5	35.3	30.2	20.5		(85'3")
(91'10")	58.4	55.1	45.9	40.8	34.6	30.0	20.1		(91'10")
(98'4")	55.3	52.9	44.5	40.1	34.0	29.3	19.4	20.3	(98'4")
(104'11")	52.0	50.5	43.2	39.0	33.1	29.1	19.0	20.1	(104'11")
(111'6")	50.5	46.3	41.9	37.9	32.6	28.7	18.5	19.6	(111'6")
(118'0")	48.7	44.1	40.6	36.8	32.0	28.4	18.1	19.4	(118'0")
(124'7")	45.0	42.3	38.6	35.7	31.3	28.0	17.6	19.0	(124'7")
(131'2")	41.7	40.1	36.8	34.6	30.9	27.6	17.2	19.0	(131'2")
(137'9")	38.6	38.6	35.3	33.5	30.4	26.9	16.8	18.3	(137'9")
(144'3")	35.9	35.3	34.0	32.0	28.7	26.2	16.3	17.9	(144'3")
(150'10")	33.5	34.2	32.6	30.9	26.9	25.8	15.9	17.2	(150'10")
(157'5")	31.3	31.8	31.3	29.5	25.4	24.9	15.4	16.8	(157'5")
(164'0")	29.1	29.8	30.0	27.6	23.8	24.0	15.2	16.3	(164'0")
(170'6")	27.3	27.8	28.0	26.5	22.5	23.2	14.8	15.9	(170'6")
(177'1")	25.6	26.0	26.2	25.4	21.2	21.8	14.6	15.4	(177'1")
(183'8")		24.3	24.7	24.0	20.1	20.7	14.1	15.2	(183'8")
(190'2")			23.2	23.2	19.2	19.6	13.9	15.0	(190'2")
(196'9")			21.8	20.9	18.3	18.5	13.7	14.6	(196'9")
(203'4")				19.8	18.1	17.6	13.5	14.3	(203'4")
(209'11")					17.6	16.5	12.8	14.1	(209'11")
(216'5")					17.4	16.1	12.1	13.9	(216'5")
(223'0")						16.1	11.0	13.2	(223'0")
(229'7")							10.4	12.6	(229'7")
(236'1")							9.7	12.3	(236'1")
(242'8")								11.5	(242'8")

S-boom length (ft)	(173'10")								S-boom length (ft)
F-fixed jib length (ft)	(39'4")	(59'0")		(78'8")		(98'4")		F-fixed jib length (ft)	
Radius (ft)	F-fixed jib angle (°)								Radius (ft)
	10	30	10	30	10	30	10	30	
(52'5")	70.6								(52'5")
(59'0")	69.0		54.7						(59'0")
(65'7")	67.7	59.8	52.7		37.0				(65'7")
(72'1")	66.6	58.7	51.2		36.6		26.7		(72'1")
(78'8")	62.8	58.2	49.2	41.7	35.9		26.5		(78'8")
(85'3")	58.4	57.8	47.8	41.0	35.1	30.4	25.8		(85'3")
(91'10")	56.9	52.0	46.3	40.6	34.4	29.8	25.1		(91'10")
(98'4")	55.3	47.4	45.0	40.4	33.7	29.3	24.5	20.3	(98'4")
(104'11")	53.8	43.4	43.9	39.5	33.1	29.1	24.0	20.1	(104'11")
(111'6")	52.0	40.1	42.6	38.4	32.6	28.7	23.6	19.6	(111'6")
(118'0")	48.3	39.2	41.5	37.0	32.0	28.4	23.2	19.6	(118'0")
(124'7")	44.5	38.1	39.9	35.1	31.5	28.0	22.5	19.2	(124'7")
(131'2")	41.0	37.3	38.1	32.6	31.1	27.8	22.1	19.0	(131'2")
(137'9")	38.1	36.2	36.6	30.4	30.0	27.6	21.6	18.7	(137'9")
(144'3")	35.5	35.7	34.8	28.4	28.0	27.1	20.9	18.5	(144'3")
(150'10")	32.9	33.7	33.5	26.9	26.5	27.1	20.7	18.3	(150'10")
(157'5")	30.6	31.3	31.5	26.5	24.7	25.8	20.3	17.9	(157'5")
(164'0")	28.7	29.3	29.3	25.6	23.2	24.3	19.8	17.6	(164'0")
(170'6")	26.7	27.3	27.6	25.1	21.8	22.7	19.6	17.4	(170'6")
(177'1")	25.1	25.4	25.8	24.9	20.7	21.4	19.2	17.0	(177'1")
(183'8")	23.4	23.8	24.3	24.3	19.6	20.3	19.0	17.0	(183'8")
(190'2")	22.1	22.3	22.7	23.4	19.0	19.0	18.7	16.8	(190'2")
(196'9")			21.2	21.8	18.7	18.1	17.9	16.3	(196'9")
(203'4")			20.1	20.5	18.3	17.0	17.0	16.3	(203'4")
(209'11")			18.7	19.0	18.1	16.3	16.1	16.3	(209'11")
(216'5")					17.6	15.2	15.2	15.9	(216'5")
(223'0")					17.0	14.1	14.6	15.0	(223'0")
(229'7")						13.2	13.2	14.3	(229'7")
(236'1")							11.9	13.2	(236'1")
(242'8")							10.6	11.9	(242'8")
(249'3")								10.6	(249'3")

S-boom length (ft)	(183'8")								S-boom length (ft)
F-fixed jib length (ft)	(39'4")	(59'0")		(78'8")		(98'4")		F-fixed jib length (ft)	
Radius (ft)	F-fixed jib angle (°)								Radius (ft)
	10	30	10	30	10	30	10	30	
(52'5")	70.6								(52'5")
(59'0")	69.5		55.3						(59'0")
(65'7")	68.1	59.5	53.4		37.0				(65'7")
(72'1")	67.0	58.7	51.6		36.6		26.7		(72'1")
(78'8")	62.4	58.4	50.1	41.7	36.2		26.5		(78'8")
(85'3")	59.5	57.3	48.5	41.2	35.5		26.0		(85'3")
(91'10")	58.0	51.8	47.2	41.0	34.8	29.8	25.4		(91'10")
(98'4")	56.4	47.2	45.9	40.4	34.2	29.5	24.9		(98'4")
(104'11")	54.7	43.0	44.5	39.9	33.5	29.1	24.3	20.3	(104'11")
(111'6")	51.8	41.0	43.4	39.2	33.1	28.9	23.8	20.1	(111'6")
(118'0")	47.6	39.9	42.3	37.7	32.4	28.4	23.2	19.6	(118'0")
(124'7")	43.9	38.8	41.2	34.8	31.8	28.2	22.7	19.4	(124'7")
(131'2")	40.6	37.9	39.5	32.4	31.3	27.8	22.5	19.0	(131'2")
(137'9")	37.5	37.0	37.5	30.2	29.8	27.3	21.8	19.0	(137'9")
(144'3")	34.8	35.7	35.7	28.0	27.8	26.7	21.4	18.5	(144'3")
(150'10")	32.4	33.3	33.3	27.6	26.0	26.2	20.9	18.3	(150'10")
(157'5")	30.2	30.9	30.9	26.7	24.5	25.1	20.5	18.3	(157'5")
(164'0")	28.0	28.7	28.9	26.2	22.9	23.8	20.3	17.9	(164'0")
(170'6")	26.2	26.7	26.9	25.6	21.6	22.5	19.8	17.6	(170'6")
(177'1")	24.5	24.9	25.1	25.1	20.3	21.2	19.6	17.2	(177'1")
(183'8")	22.9	23.4	23.6	24.5	19.8	19.8	19.2	17.0	(183'8")
(190'2")	21.4	21.8	22.1	22.9	19.4	19.0	18.5	17.0	(190'2")
(196'9")	20.1	20.3	20.7	21.4	19.0	17.6	17.6	16.5	(196'9")
(203'4")			19.4	20.1	18.7	16.8	16.5	16.3	(203'4")
(209'11")			18.3	18.7	18.3	16.1	15.7	16.3	(209'11")
(216'5")			17.0	17.4	17.6	15.9	15.0	15.7	(216'5")
(223'0")					16.5	15.7	14.3	14.8	(223'0")
(229'7")					15.4	15.4	13.2	14.1	(229'7")
(236'1")					14.6	14.3	12.1	13.2	(236'1")
(242'8")							11.0	12.3	(242'8")
(249'3")							9.7	11.0	(249'3")
(255'10")							7.9	9.7	(255'10")

S-boom length (ft)	(193'6")								S-boom length (ft)
F-fixed jib length (ft)	(39'4")		(59'0")		(78'8")		(98'4")		F-fixed jib length(ft)
Radius (ft)	F-fixed jib angle (°)								Radius (ft)
	10	30	10	30	10	30	10	30	
(52'5")	70.6								(52'5")
(59'0")	69.9		55.8						(59'0")
(65'7")	68.6	59.5	54.0		37.0				(65'7")
(72'1")	67.5	58.7	52.0		36.6		26.7		(72'1")
(78'8")	62.2	58.4	50.5	41.7	36.4		26.5		(78'8")
(85'3")	60.4	57.1	49.0	41.5	35.7		26.2		(85'3")
(91'10")	58.7	51.6	47.6	41.0	35.1	29.8	25.8		(91'10")
(98'4")	57.1	46.7	46.3	40.6	34.4	29.5	25.1		(98'4")
(104'11")	55.6	42.8	45.2	40.1	33.7	29.3	24.5	20.3	(104'11")
(111'6")	51.4	41.5	43.9	39.7	33.3	29.1	24.0	20.1	(111'6")
(118'0")	47.2	40.6	42.8	37.3	32.6	28.7	23.6	19.6	(118'0")
(124'7")	43.4	39.5	41.9	34.4	32.2	28.4	23.2	19.4	(124'7")
(131'2")	39.9	38.4	40.8	32.0	31.5	28.0	22.5	19.2	(131'2")
(137'9")	37.0	37.5	37.9	29.8	29.3	27.8	22.1	19.0	(137'9")
(144'3")	34.2	35.3	35.1	28.7	27.3	27.6	21.6	18.7	(144'3")
(150'10")	31.8	32.6	32.6	27.8	25.8	26.9	21.2	18.5	(150'10")
(157'5")	29.5	30.4	30.4	27.3	24.0	25.1	20.9	18.3	(157'5")
(164'0")	27.6	28.2	28.2	26.7	22.5	23.6	20.5	18.1	(164'0")
(170'6")	25.6	26.2	26.5	26.2	21.2	22.3	20.3	17.6	(170'6")
(177'1")	24.0	24.5	24.7	25.6	20.7	20.9	19.8	17.4	(177'1")
(183'8")	22.3	22.7	23.2	24.0	20.1	19.6	19.2	17.2	(183'8")
(190'2")	20.7	21.2	21.6	22.5	19.8	18.5	18.3	17.0	(190'2")
(196'9")	19.4	19.8	20.1	20.9	19.4	17.6	17.2	16.8	(196'9")
(203'4")	18.1	18.5	19.0	19.4	19.0	16.5	16.3	16.5	(203'4")
(209'11")		17.2	17.6	18.3	18.3	16.1	15.4	16.3	(209'11")
(216'5")			16.5	17.0	17.0	16.1	14.6	15.4	(216'5")
(223'0")			15.4	15.9	16.1	15.9	13.9	14.6	(223'0")
(229'7")				14.8	15.0	15.9	13.0	13.7	(229'7")
(236'1")					13.9	15.9	12.1	13.0	(236'1")
(242'8")					12.8	15.0	11.0	12.3	(242'8")
(249'3")						14.1	9.9	11.0	(249'3")
(255'10")							9.0	9.9	(255'10")
(262'4")							7.9	9.0	(262'4")
(268'11")								8.4	(268'11")

S-boom length (ft)	(203'4")								S-boom length (ft)
F-fixed jib length (ft)	(39'4")		(59'0")		(78'8")		(98'4")		F-fixed jib length (ft)
Radius (ft)	F-fixed jib angle (°)								Radius (ft)
	10	30	10	30	10	30	10	30	
(59'0")	70.6								(59'0")
(65'7")	69.0	59.5	54.5						(65'7")
(72'1")	67.9	58.7	52.7		37.0				(72'1")
(78'8")	61.7	57.6	51.2	41.7	36.6		26.7		(78'8")
(85'3")	60.6	56.9	49.8	41.2	35.9		26.5		(85'3")
(91'10")	59.5	51.2	48.1	41.0	35.3	29.8	25.8		(91'10")
(98'4")	58.0	46.5	46.7	40.8	34.6	29.5	25.1		(98'4")
(104'11")	55.6	43.4	45.9	40.4	34.2	29.3	24.7	20.3	(104'11")
(111'6")	50.7	42.3	44.5	39.9	33.5	29.1	24.3	20.1	(111'6")
(118'0")	46.5	41.0	43.4	37.0	33.1	28.7	23.8	19.8	(118'0")
(124'7")	42.8	39.9	42.6	34.4	32.4	28.4	23.2	19.6	(124'7")
(131'2")	39.5	38.4	40.4	31.8	31.1	28.2	22.9	19.2	(131'2")
(137'9")	36.4	37.7	37.3	29.5	29.1	27.8	22.5	19.0	(137'9")
(144'3")	33.7	34.8	34.6	29.1	27.1	27.8	21.8	19.0	(144'3")
(150'10")	31.3	32.2	32.2	28.2	25.4	26.5	21.6	18.5	(150'10")
(157'5")	29.1	30.0	29.8	27.8	23.8	24.9	21.2	18.3	(157'5")
(164'0")	26.9	27.8	27.8	26.9	22.1	23.4	20.7	18.3	(164'0")
(170'6")	25.1	25.8	25.8	26.5	21.4	21.8	20.3	17.9	(170'6")
(177'1")	23.4	24.0	24.0	25.1	20.9	20.5	20.1	17.6	(177'1")
(183'8")	21.8	22.3	22.5	23.6	20.7	19.4	19.0	17.4	(183'8")
(190'2")	20.3	20.7	20.9	21.8	20.1	18.3	17.9	17.2	(190'2")
(196'9")	19.0	19.4	19.6	20.5	19.8	17.2	17.0	17.0	(196'9")
(203'4")	17.6	17.9	18.3	19.0	19.0	16.3	15.9	16.8	(203'4")
(209'11")	16.3	16.8	17.2	17.6	17.6	16.3	15.0	15.9	(209'11")
(216'5")	15.2	15.4	15.9	16.5	16.5	16.1	14.3	15.0	(216'5")
(223'0")			14.8	15.4	15.4	16.1	13.7	14.3	(223'0")
(229'7")			13.7	14.3	14.3	15.9	12.8	13.5	(229'7")
(236'1")			12.6	13.0	13.2	15.7	12.1	12.8	(236'1")
(242'8")					11.9	14.6	11.0	12.1	(242'8")
(249'3")					11.0	13.5	9.9	11.2	(249'3")
(255'10")						12.8	9.3	10.1	(255'10")
(262'4")							8.6	9.3	(262'4")
(268'11")							7.9	8.6	(268'11")
(275'6")								7.9	(275'6")

S-boom length (ft)	(213'2")								S-boom length (ft)
F-fixed jib length (ft)	(39'4")	(59'0")		(78'8")		(98'4")		F-fixed jib length (ft)	
Radius (ft)	F-fixed jib angle (°)								Radius (ft)
	10	30	10	30	10	30	10	30	
(59'0")	70.6								(59'0")
(65'7")	69.5		55.1						(65'7")
(72'1")	68.4	59.5	53.4		37.0				(72'1")
(78'8")	61.7	58.9	51.8		36.6		26.7		(78'8")
(85'3")	60.6	56.4	50.3	41.7	36.2		26.5		(85'3")
(91'10")	59.5	51.2	49.0	41.2	35.5		26.0		(91'10")
(98'4")	57.8	46.3	47.6	41.0	35.1	29.8	25.6		(98'4")
(104'11")	55.1	44.1	46.5	40.4	34.4	29.5	25.1	20.9	(104'11")
(111'6")	50.3	42.8	44.3	39.9	33.7	29.1	24.5	20.3	(111'6")
(118'0")	46.1	41.9	43.4	36.8	33.3	28.9	24.0	20.1	(118'0")
(124'7")	42.3	40.8	42.6	34.0	32.9	28.4	23.6	19.6	(124'7")
(131'2")	38.8	39.7	39.9	31.5	30.9	28.4	23.2	19.4	(131'2")
(137'9")	35.9	37.0	36.8	30.2	28.7	28.0	22.5	19.2	(137'9")
(144'3")	33.3	34.4	34.0	29.3	26.7	27.8	22.3	19.0	(144'3")
(150'10")	30.6	31.8	31.5	28.9	25.1	26.5	21.6	18.7	(150'10")
(157'5")	28.4	29.3	29.3	28.0	23.4	24.5	21.4	18.5	(157'5")
(164'0")	26.5	27.3	27.3	27.6	21.6	23.2	20.9	18.3	(164'0")
(170'6")	24.5	25.4	25.4	26.7	21.2	21.6	20.7	18.1	(170'6")
(177'1")	22.7	23.6	23.6	24.7	20.7	20.3	19.6	17.9	(177'1")
(183'8")	21.2	21.8	22.1	23.2	20.5	19.0	18.5	17.6	(183'8")
(190'2")	19.6	20.3	20.5	21.4	19.8	17.9	17.6	17.4	(190'2")
(196'9")	18.3	18.7	19.0	20.1	19.4	17.0	16.5	17.0	(196'9")
(203'4")	17.0	17.4	17.9	18.5	18.3	16.8	15.7	16.5	(203'4")
(209'11")	15.9	16.3	16.5	17.2	17.2	16.3	14.8	15.7	(209'11")
(216'5")	14.8	15.0	15.4	16.1	16.1	16.1	13.9	14.8	(216'5")
(223'0")	13.7	13.9	14.3	15.0	14.8	16.1	13.0	13.9	(223'0")
(229'7")			13.0	13.7	13.5	16.1	12.3	13.2	(229'7")
(236'1")			11.9	12.3	12.3	15.0	11.7	12.3	(236'1")
(242'8")			10.8	11.2	11.2	14.1	10.8	11.7	(242'8")
(249'3")					10.4	13.0	9.7	11.0	(249'3")
(255'10")					9.7	12.1	9.3	10.1	(255'10")
(262'4")					9.0	11.0	8.6	9.5	(262'4")
(268'11")							7.9	8.8	(268'11")
(275'6")							7.3	8.2	(275'6")
(282'0")								7.3	(282'0")

S-boom length (m)	(223'0")								S-boom length (m)
F-fixed jib length (m)	(39'4")		(59'0")		(78'8")		(98'4")		F-fixed jib length (m)
Radius (m)	F-fixed jib angle (°)								Radius (m)
	10	30	10	30	10	30	10	30	
(59'0")	70.6								(59'0")
(65'7")	69.9		55.6						(65'7")
(72'1")	67.7	59.5	53.8		37.0				(72'1")
(78'8")	61.7	58.7	52.3		36.6		26.7		(78'8")
(85'3")	60.2	56.2	50.7	41.7	36.4		26.5		(85'3")
(91'10")	58.7	50.7	49.2	41.2	35.7		26.2		(91'10")
(98'4")	57.6	46.1	47.8	41.0	35.1	29.8	25.8		(98'4")
(104'11")	54.5	44.8	46.7	40.6	34.6	29.5	25.1		(104'11")
(111'6")	49.8	43.4	43.9	39.7	34.2	29.3	24.7	20.3	(111'6")
(118'0")	45.4	42.3	43.0	36.4	33.5	29.1	24.3	20.1	(118'0")
(124'7")	41.7	41.2	42.1	33.7	32.9	28.7	23.8	19.6	(124'7")
(131'2")	38.4	39.7	39.2	31.5	30.4	28.4	23.4	19.6	(131'2")
(137'9")	35.3	36.6	36.2	30.6	28.4	28.2	22.9	19.2	(137'9")
(144'3")	32.6	33.7	33.5	30.0	26.5	27.8	22.5	19.0	(144'3")
(150'10")	30.2	31.3	31.1	29.1	24.5	26.0	22.1	19.0	(150'10")
(157'5")	28.0	28.9	28.7	28.7	23.2	24.5	21.6	18.5	(157'5")
(164'0")	25.8	26.9	26.7	28.0	21.6	22.7	21.2	18.3	(164'0")
(170'6")	24.0	24.9	24.7	26.2	20.7	21.4	20.7	18.3	(170'6")
(177'1")	22.3	22.9	23.2	24.3	20.3	20.1	19.4	18.1	(177'1")
(183'8")	20.7	21.4	21.4	22.5	20.1	19.0	18.3	17.6	(183'8")
(190'2")	19.2	19.8	19.8	20.9	19.4	17.6	17.2	17.6	(190'2")
(196'9")	17.9	18.3	18.5	19.4	19.0	17.0	16.3	17.2	(196'9")
(203'4")	16.5	17.0	17.2	18.1	17.9	16.8	15.2	16.3	(203'4")
(209'11")	15.2	15.7	16.1	16.8	16.5	16.3	14.3	15.4	(209'11")
(216'5")	14.1	14.6	14.8	15.7	15.2	16.3	13.7	14.6	(216'5")
(223'0")	13.0	13.5	13.7	14.3	13.9	16.1	12.8	13.7	(223'0")
(229'7")	11.7	12.1	12.3	13.0	12.8	15.7	12.1	13.0	(229'7")
(236'1")		10.8	11.2	11.9	11.7	14.6	11.5	12.3	(236'1")
(242'8")			10.1	10.6	10.6	13.5	10.6	11.5	(242'8")
(249'3")			9.5	9.9	9.9	12.3	9.7	10.8	(249'3")
(255'10")				9.3	9.3	11.5	9.0	9.9	(255'10")
(262'4")					8.6	10.6	8.6	9.3	(262'4")
(268'11")					8.2	9.7	7.9	8.6	(268'11")
(275'6")						9.0	7.5	8.2	(275'6")
(282'0")								7.5	(282'0")

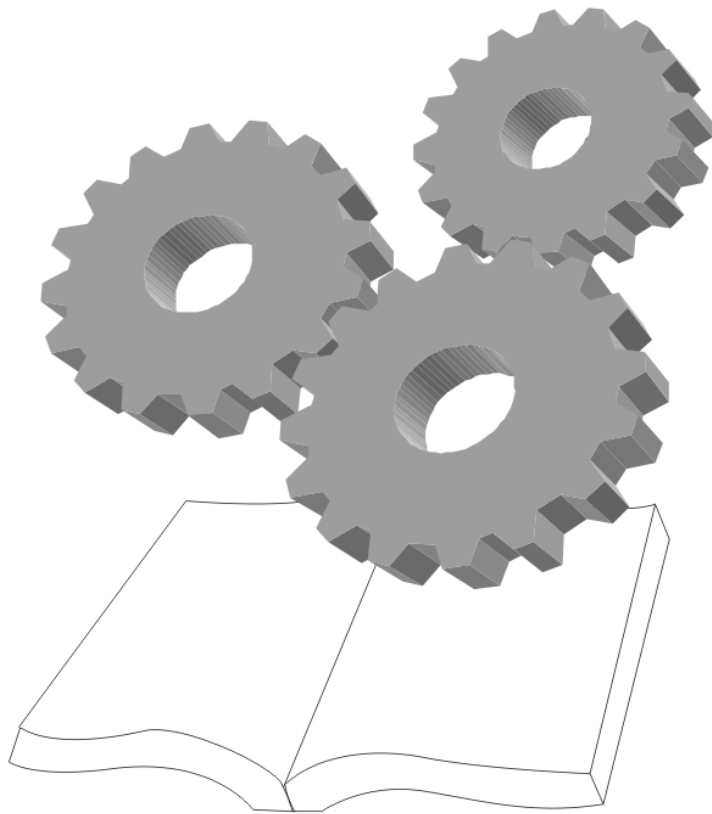
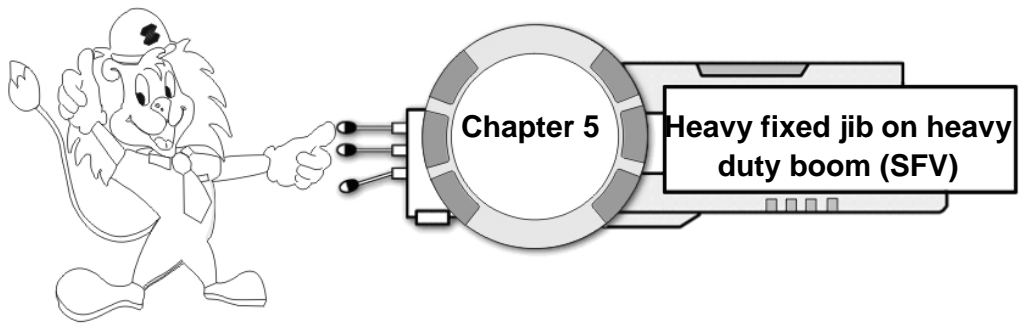
S-boom length (ft)	(232'10")								S-boom length (ft)
F-fixed jib length(ft)	(39'4")	(59'0")		(78'8")		(98'4")		F-fixed jib length (ft)	
Radius (ft)	F-fixed jib angle (°)								Radius (ft)
	10	30	10	30	10	30	10	30	
(59'0")	70.6								(59'0")
(65'7")	70.1		55.8						(65'7")
(72'1")	67.0	59.5	54.0		39.0				(72'1")
(78'8")	60.6	58.4	52.5		37.7				(78'8")
(85'3")	59.5	55.8	51.2	41.7	36.8		26.7		(85'3")
(91'10")	58.0	50.5	49.6	41.2	35.5		26.5		(91'10")
(98'4")	56.9	46.5	48.1	41.0	34.4	29.8	25.8		(98'4")
(104'11")	54.0	45.2	46.3	40.8	33.7	29.5	25.4		(104'11")
(111'6")	49.2	43.9	43.7	39.5	34.2	29.3	24.9	20.3	(111'6")
(118'0")	45.0	42.8	42.3	36.4	35.7	29.1	24.5	20.1	(118'0")
(124'7")	41.2	41.9	41.5	33.5	36.4	28.9	23.8	19.8	(124'7")
(131'2")	37.9	39.2	38.8	31.8	35.7	28.4	23.6	19.6	(131'2")
(137'9")	34.8	36.2	35.7	30.9	35.3	28.4	23.2	19.4	(137'9")
(144'3")	32.2	33.3	33.1	30.2	33.7	27.8	22.7	19.0	(144'3")
(150'10")	29.5	30.9	30.4	29.5	31.3	25.8	22.3	19.0	(150'10")
(157'5")	27.3	28.4	28.2	28.9	28.9	24.0	21.8	18.7	(157'5")
(164'0")	25.4	26.2	26.2	27.8	26.9	22.5	21.6	18.5	(164'0")
(170'6")	23.4	24.3	24.3	25.8	24.9	20.9	20.3	18.3	(170'6")
(177'1")	21.6	22.5	22.5	23.8	23.2	19.6	19.0	18.3	(177'1")
(183'8")	20.1	20.9	20.9	22.1	21.6	18.5	17.9	17.9	(183'8")
(190'2")	18.5	19.4	19.4	20.5	20.1	17.4	17.0	17.6	(190'2")
(196'9")	17.2	17.9	18.1	19.0	18.5	17.0	15.9	17.0	(196'9")
(203'4")	15.9	16.5	16.8	17.6	17.2	16.8	15.0	16.1	(203'4")
(209'11")	14.8	15.2	15.4	16.3	15.9	16.8	14.1	15.0	(209'11")
(216'5")	13.5	14.1	14.1	15.0	14.6	16.3	13.2	14.3	(216'5")
(223'0")	12.3	12.8	12.8	13.7	13.2	16.1	12.3	13.5	(223'0")
(229'7")	11.0	11.5	11.7	12.3	12.1	14.8	11.7	12.6	(229'7")
(236'1")	10.1	10.4	10.6	11.2	11.0	13.7	11.0	11.9	(236'1")
(242'8")	9.5	9.5	9.7	10.1	10.1	12.8	10.4	11.2	(242'8")
(249'3")			9.0	9.5	9.5	11.7	9.7	10.6	(249'3")
(255'10")			8.6	8.8	8.8	10.8	9.0	9.7	(255'10")
(262'4")				8.2	8.4	9.7	8.4	9.3	(262'4")
(268'11")					7.7	9.0	7.9	8.6	(268'11")
(275'6")					7.3	8.2	7.3	8.2	(275'6")
(282'0")						7.5		7.7	(282'0")
(288'7")								7.1	(288'7")

S-boom length (ft)	(242'8")								S-boom length (ft)
F-fixed jib length (ft)	(39'4")		(59'0")		(78'8")		(98'4")		F-fixed jib length (ft)
Radius (ft)	F-fixed jib angle (°)								Radius (ft)
	10	30	10	30	10	30	10	30	
(65'7")	70.6								(65'7")
(72'1")	70.1	50.5	54.5						(72'1")
(78'8")	67.0	49.8	52.9		31.5				(78'8")
(85'3")	60.6	49.2	51.6	35.7	30.6		19.0		(85'3")
(91'10")	59.5	48.5	50.3	35.7	30.0		18.3		(91'10")
(98'4")	58.7	47.2	49.0	35.5	29.3	21.2	17.9		(98'4")
(104'11")	53.6	45.9	47.8	34.8	28.7	20.9	17.2		(104'11")
(111'6")	48.7	44.5	46.7	34.4	28.0	20.7	17.0	15.4	(111'6")
(118'0")	44.3	43.4	45.4	34.0	27.3	20.1	16.3	15.4	(118'0")
(124'7")	40.6	42.3	41.7	33.1	26.7	19.8	16.1	15.2	(124'7")
(131'2")	37.3	38.8	38.1	32.2	26.2	19.6	15.4	15.0	(131'2")
(137'9")	34.2	35.7	35.3	31.5	25.6	19.4	15.2	14.8	(137'9")
(144'3")	31.5	32.9	32.4	30.6	25.1	19.0	14.6	14.6	(144'3")
(150'10")	29.1	30.2	30.0	30.0	24.7	18.7	14.3	14.6	(150'10")
(157'5")	26.9	28.0	27.8	29.3	24.0	18.5	14.1	14.3	(157'5")
(164'0")	24.7	25.8	25.6	27.3	23.6	18.3	13.7	14.1	(164'0")
(170'6")	22.9	23.8	23.8	25.4	22.9	18.1	13.2	13.9	(170'6")
(177'1")	21.2	22.1	22.1	23.4	22.5	17.6	13.0	13.9	(177'1")
(183'8")	19.6	20.3	20.3	21.6	20.9	17.4	11.7	13.7	(183'8")
(190'2")	18.1	18.7	18.7	20.1	19.4	17.2	11.5	13.5	(190'2")
(196'9")	16.8	17.4	17.4	18.5	17.9	17.2	11.0	13.5	(196'9")
(203'4")	15.4	16.1	16.1	17.2	16.3	17.0	10.8	13.0	(203'4")
(209'11")	14.1	14.8	14.6	15.7	15.0	16.8	10.6	11.9	(209'11")
(216'5")	12.8	13.5	13.5	14.3	13.7	16.8	10.4	11.0	(216'5")
(223'0")	11.5	12.3	12.1	13.0	12.6	15.7	10.1	10.1	(223'0")
(229'7")	10.4	11.0	10.8	11.7	11.5	14.6	10.1	9.0	(229'7")
(236'1")	9.7	10.1	9.9	10.6	10.4	13.5	9.7	8.4	(236'1")
(242'8")	9.0	9.0	9.3	9.7	9.7	12.3	9.5	7.7	(242'8")
(249'3")	8.4	8.2	8.4	9.0	9.0	11.5	9.3	7.5	(249'3")
(255'10")			7.7	7.9	8.4	10.4	9.3	7.5	(255'10")
(262'4")			7.1	7.5	7.7	9.5	8.8	7.1	(262'4")
(268'11")			6.4	6.8	6.8	8.8	7.9	7.1	(268'11")
(275'6")					6.2	7.9	7.1	7.1	(275'6")
(282'0")					5.5	7.1	6.6	7.1	(282'0")
(288'7")					4.9	6.4	5.7	7.1	(288'7")
(295'2")							5.3	6.6	(295'2")
(301'9")							4.4	6.2	(301'9")
(308'3")								5.3	(308'3")

S-boom length (ft)	(252'6")								S-boom length (ft)
F-fixed jib length (ft)	(39'4")		(59'0")		(78'8")		(98'4")		F-fixed jib length (ft)
Radius (ft)	F-fixed jib angle (°)								Radius(ft)
	10	30	10	30	10	30	10	30	
(65'7")	70.6								(65'7")
(72'1")	70.1		55.1						(72'1")
(78'8")	67.0	50.1	53.4		31.5				(78'8")
(85'3")	60.6	49.4	52.0		30.6		18.3		(85'3")
(91'10")	59.5	48.7	50.7	35.7	30.0		17.6		(91'10")
(98'4")	57.3	47.6	49.4	35.5	29.3		17.2		(98'4")
(104'11")	52.7	46.3	48.5	34.8	28.7	20.9	16.5		(104'11")
(111'6")	48.1	45.0	47.4	34.6	28.0	20.7	16.3		(111'6")
(118'0")	43.9	43.9	45.0	34.2	27.3	20.3	15.7	15.2	(118'0")
(124'7")	40.1	42.8	41.0	33.5	26.7	19.8	14.8	15.0	(124'7")
(131'2")	36.8	39.5	37.7	32.6	26.2	19.6	14.3	14.8	(131'2")
(137'9")	33.7	35.9	34.6	31.8	25.6	19.4	14.1	14.8	(137'9")
(144'3")	31.1	33.1	32.0	30.9	25.1	19.0	13.5	14.3	(144'3")
(150'10")	28.4	30.4	29.3	30.4	24.7	18.7	13.2	14.3	(150'10")
(157'5")	26.2	27.8	27.1	29.5	24.0	18.5	13.0	14.1	(157'5")
(164'0")	24.3	25.6	25.1	26.9	23.6	18.3	12.8	13.9	(164'0")
(170'6")	22.3	23.6	23.2	24.7	22.9	18.1	12.1	13.9	(170'6")
(177'1")	20.5	21.6	21.4	22.9	22.1	17.6	11.9	13.7	(177'1")
(183'8")	19.0	19.8	19.8	21.2	20.3	17.6	11.7	13.5	(183'8")
(190'2")	17.4	18.3	18.3	19.6	18.5	17.4	11.5	13.5	(190'2")
(196'9")	16.1	16.8	16.8	17.9	17.0	17.2	11.0	13.5	(196'9")
(203'4")	14.8	15.4	15.2	16.5	15.7	17.0	10.8	12.3	(203'4")
(209'11")	13.2	14.1	13.9	15.0	14.3	17.0	10.6	11.2	(209'11")
(216'5")	12.1	12.8	12.6	13.7	13.0	16.1	10.4	10.4	(216'5")
(223'0")	10.8	11.5	11.2	12.3	11.7	15.0	10.1	9.5	(223'0")
(229'7")	9.9	10.4	10.1	11.0	10.6	13.7	10.1	8.6	(229'7")
(236'1")	9.3	9.3	9.5	10.1	9.7	12.8	9.7	7.7	(236'1")
(242'8")	8.6	8.4	8.8	9.5	9.3	11.7	9.5	7.5	(242'8")
(249'3")	7.9	7.5	8.2	8.8	8.6	10.6	9.3	7.5	(249'3")
(255'10")	7.3	6.6	7.5	8.2	7.9	9.7	9.3	7.5	(255'10")
(262'4")		5.7	6.6	7.1	7.5	8.8	8.8	7.1	(262'4")
(268'11")			5.7	6.4	6.8	7.9	7.9	7.1	(268'11")
(275'6")			5.1	5.5	6.2	7.1	7.1	7.1	(275'6")
(282'0")				4.9	5.5	6.4	6.6	7.1	(282'0")
(288'7")					4.9	5.5	5.7	6.8	(288'7")
(295'2")					4.4	4.9	5.3	6.2	(295'2")
(301'9")						4.2	4.4	5.3	(301'9")
(308'3")								4.4	(308'3")



Note: main boom and fixed jib are not permitted to work at the same time.



ZOOMLION

**Note:**

1. The lifting capacity is given in “(lb)×1000”, and “*/*” indicates “lifting capacity/radius”. The lifting capacities whose background colors are grey are determined by strength of boom frame; while those whose background color are white depend on the stability of the machine.
2. Under this boom configuration, S-boom angle varies from **50~83°**, FV- heavy fixed jib angle is either **14°** or **20°** and heavy fixed jib length is **6m**.

S-boom length (ft)									
Radius (ft)	(134'5")		(144'3")		(154'1")		(164'0")		Radius (ft)
	FV- heavy fixed jib angle (°)								
	14	20	14	20	14	20	14	20	
(32'9")	132.3	125.5	132.3	125.5/ (36'0")	132.3/ (36'0")	125.5/ (36'0")			(32'9")
(39'4")	132.3	120.6	132.3	120.6	132.3	120.6	132.3/ (36'0")		(39'4")
(45'11")	132.3	110.9	132.3	115.8	132.3	115.8	132.3	125.5	(45'11")
(52'5")	127.9	106.1	130.3	106.1	132.3	110.9	132.3	115.8	(52'5")
(59'0")	120.6	101.2	125.5	101.2	125.5	106.1	132.3	110.9	(59'0")
(65'7")	113.3	96.6	115.5	96.6	114.4	101.2	127.9	106.1	(65'7")
(72'1")	104.1	91.7	103.0	94.2	101.7	96.6	112.9	101.2	(72'1")
(78'8")	92.6	86.9	92.4	91.7	91.5	91.7	100.5	96.6	(78'8")
(85'3")	83.3	83.3	83.1	83.1	82.5	82.7	90.2	90.6	(85'3")
(91'10")	75.2	75.4	75.2	75.2	74.5	75.0	81.6	81.8	(91'10")
(98'4")	68.6	68.6	68.4	68.6	67.9	67.9	74.1	74.3	(98'4")
(104'11")	62.8	62.8	62.6	62.6	62.0	62.2	67.5	67.5	(104'11")
(111'6")	60.2/ (108'2")	60.2/ (108'2")	57.3	57.3	56.9	57.1	61.3	61.7	(111'6")
(118'0")			55.1/ (114'9")	55.1/ (114'9")	52.7	52.7	56.2	56.4	(118'0")
(124'7")					50.5/ (267'7")	50.5/ (267'7")	52.0	52.0	(124'7")
(131'2")							47.8/ (282'0")	48.1/ (282'0")	(131'2")
(137'9")									(137'9")

S-boom length (ft)									
Radius (ft)	(173'10")		(183'8")		(193'6")		(203'4")		Radius (ft)
	FV- heavy fixed jib angle (°)								
	14	20	14	20	14	20	14	20	
(36'0")	132.3								(32'9")
(39'4")	132.3	125.5	132.3	125.5	132.3	125.5/ (42'7")	132.3	125.5/ (42'7")	(39'4")
(45'11")	132.3	120.6	132.3	120.6	132.3	120.6	132.3	123.0	(45'11")
(52'5")	132.3	113.3	132.3	115.8	130.3	115.8	125.5	115.8	(52'5")
(59'0")	126.6	108.5	125.5	110.9	123.0	110.9	118.2	110.9	(59'0")
(65'7")	112.9	103.6	110.9	106.1	108.5	106.1	106.1	108.5	(65'7")
(72'1")	100.5	98.8	98.8	98.8	96.6	96.6	95.3	96.6	(72'1")
(78'8")	90.2	90.6	89.1	89.3	88.0	88.2	86.9	86.9	(78'8")
(85'3")	81.6	81.8	80.7	80.9	79.4	79.6	77.2	78.3	(85'3")
(91'10")	73.6	73.6	73.2	73.4	72.1	72.3	69.9	71.2	(91'10")
(98'4")	66.8	67.0	66.4	66.4	65.0	65.9	65.0	65.0	(98'4")
(104'11")	61.1	61.1	60.4	60.6	59.8	60.2	59.5	59.5	(104'11")
(111'6")	56.0	56.0	55.3	55.6	54.7	55.1	54.5	54.5	(111'6")
(118'0")	51.4	51.6	51.2	51.2	50.3	50.5	49.8	49.8	(118'0")
(124'7")	47.4	47.4	47.0	47.2	46.3	46.5	45.9	45.9	(124'7")
(131'2")	43.9	43.9	43.7	43.7	43.0	43.0	42.3	42.3	(131'2")
(137'9")	42.3/ (134'5")	42.3/ (134'5")	40.4	40.4	39.7	39.7	39.0	39.2	(137'9")
(144'3")			38.8/ (310'11")	38.8/ (310'11")	36.6	36.8	36.4	36.4	(144'3")
(150'10")					35.5/ (325'4")	35.5/ (325'4")	33.5	33.5	(150'10")
(157'5")							32.4/ (339'9")	32.4/ (339'9")	(157'5")
(164'0")									(164'0")

S-boom length(ft)									
Radius (ft)	(213'2")		(223'0")		(232'10")		(242'8")		Radius (ft)
	FV- heavy fixed jib angle (°)								
	14	20	14	20	14	20	14	20	
(42'7")	121.7	119.3	108.5		98.3				(42'7")
(45'11")	121.3	118.8	107.4	105.6	93.5	91.7	83.8	82.0	(45'11")
(52'5")	118.8	116.9	105.0	103.2	91.7	90.4	81.8	80.5	(52'5")
(59'0")	112.2	110.9	103.2	101.2	89.3	88.0	80.3	78.9	(59'0")
(65'7")	106.1	105.0	100.8	99.4	87.3	86.2	77.8	77.2	(65'7")
(72'1")	94.2	94.2	91.7	94.2	85.6	84.5	75.6	74.7	(72'1")
(78'8")	84.5	84.5	82.0	83.1	82.0	82.0	73.9	73.0	(78'8")
(85'3")	77.2	77.2	74.7	74.7	73.6	73.6	72.1	71.4	(85'3")
(91'10")	69.9	69.9	67.5	67.5	66.4	66.4	65.0	65.0	(91'10")
(98'4")	62.6	62.6	62.2	62.2	61.5	61.5	60.2	60.2	(98'4")
(104'11")	58.0	59.1	56.7	58.0	55.6	55.6	54.2	54.2	(104'11")
(111'6")	53.1	54.0	51.8	51.8	50.7	50.7	49.4	49.4	(111'6")
(118'0")	49.4	49.4	48.3	48.3	47.0	47.0	45.9	45.9	(118'0")
(124'7")	45.4	45.6	43.4	43.4	42.1	43.4	41.0	42.1	(124'7")
(131'2")	41.7	42.1	39.7	41.0	39.7	39.7	38.6	38.6	(131'2")
(137'9")	38.6	38.6	37.5	37.5	36.2	36.2	35.1	35.1	(137'9")
(144'3")	35.7	35.7	33.7	34.4	33.7	33.7	32.6	32.6	(144'3")
(150'10")	33.1	33.1	31.3	31.3	30.2	30.6	29.5	30.2	(150'10")
(157'5")	30.6	30.6	29.5	29.5	28.9	28.9	27.8	27.8	(157'5")
(164'0")		29.5/(160'8")	27.8	27.8	26.5	26.5	25.4	25.4	(164'0")
(170'6")				26.5/(369'0")	24.7	24.7	23.6	24.0	(170'6")
(177'1")						24.0/(383'5")	21.6	21.6	(177'1")
(190'2")								20.5/(397'10")	(190'2")
(42'7")									(42'7")

S-boom length(ft)								
Radius (ft)	(252'6")		FV- heavy fixed jib angle (°)				Radius (ft)	
	14	20						
	(45'11")	74.1	71.7/(49'2")					
(52'5")	72.5	71.4					(52'5")	
(59'0")	71.2	69.9					(59'0")	
(65'7")	69.0	68.1					(65'7")	
(72'1")	67.5	66.6					(72'1")	
(78'8")	65.5	64.8					(78'8")	
(85'3")	63.3	62.6					(85'3")	
(91'10")	59.3	58.9					(91'10")	
(98'4")	58.0	57.3					(98'4")	
(104'11")	53.1	53.1					(104'11")	
(111'6")	48.3	48.3					(111'6")	
(118'0")	43.4	44.5					(118'0")	
(124'7")	39.7	41.0					(124'7")	
(131'2")	37.5	37.5					(131'2")	
(137'9")	33.7	33.7					(137'9")	
(144'3")	31.3	31.3					(144'3")	
(150'10")	28.9	28.9					(150'10")	
(157'5")	26.5	26.5					(157'5")	
(164'0")	24.0	24.0					(164'0")	
(170'6")	22.9	22.9					(170'6")	
(177'1")	20.5	20.5					(177'1")	
(183'8")	18.7	18.7					(183'8")	
(190'2")							(190'2")	