

DBS45/GLA2 DIGITAL FUNCTION SHEET

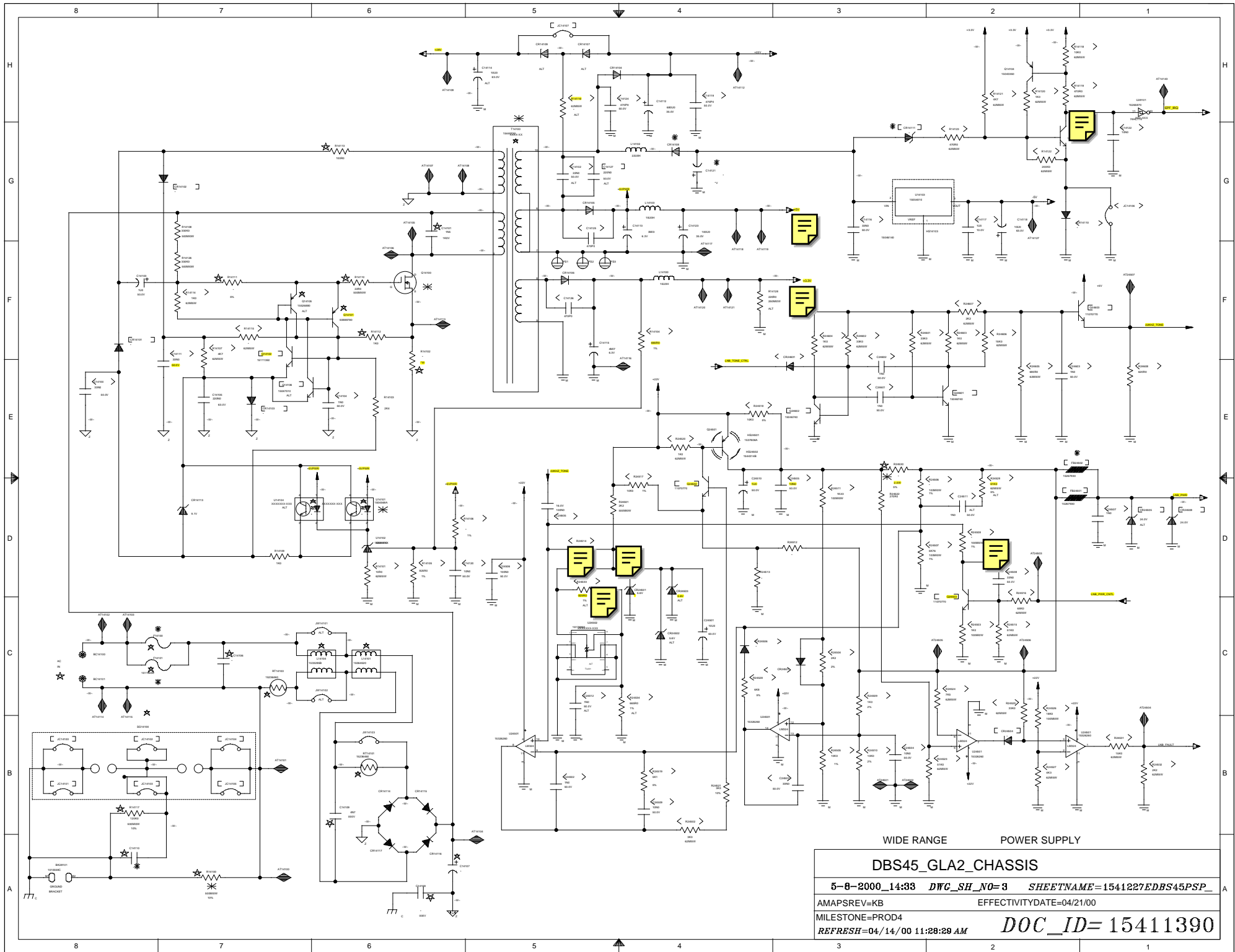
DBS45_GLA2_CHASSIS

5-8-2000_14:29 DWG_SH_NO= 1 SHEETNAME=1541227EDBS45FUN

AMAPSRV=KB EFFECTIVITYDATE=04/21/00

MILESTONE=PROD4

REFRESH=8/11/99 11:29:34 AM **DOC_ID= 15411390**



WIDE RANGE POWER SUPPLY

DBS45_GLA2_CHASSIS

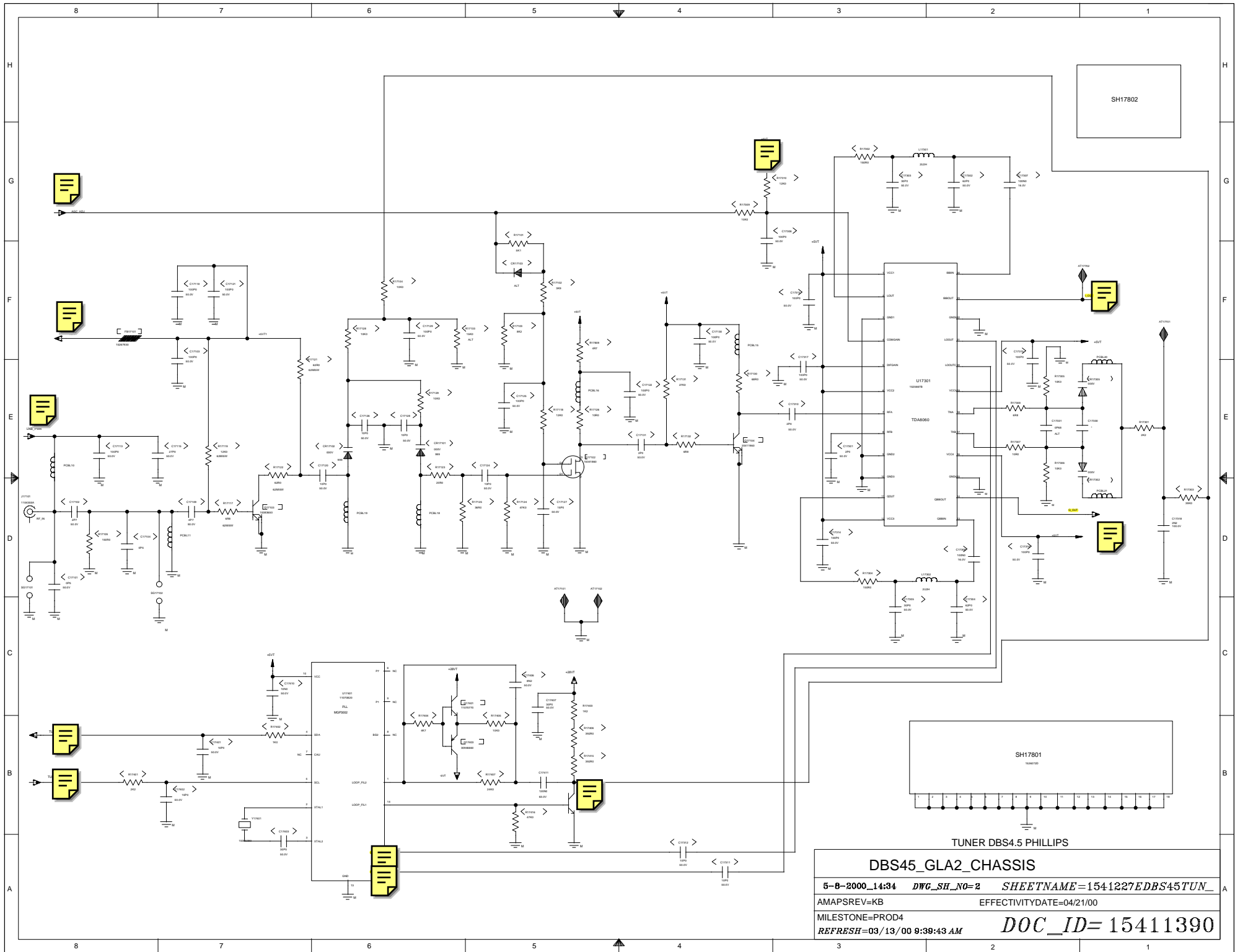
5-8-2000_14:33 DWG_SH_N0=3 SHEETNAME=1541227EDBS45PSP

AMAPSREV=KB EFFECTIVITYDATE=04/21/00

MILESTONE=PROD4

REFRESH=04/14/00 11:28:29 AM

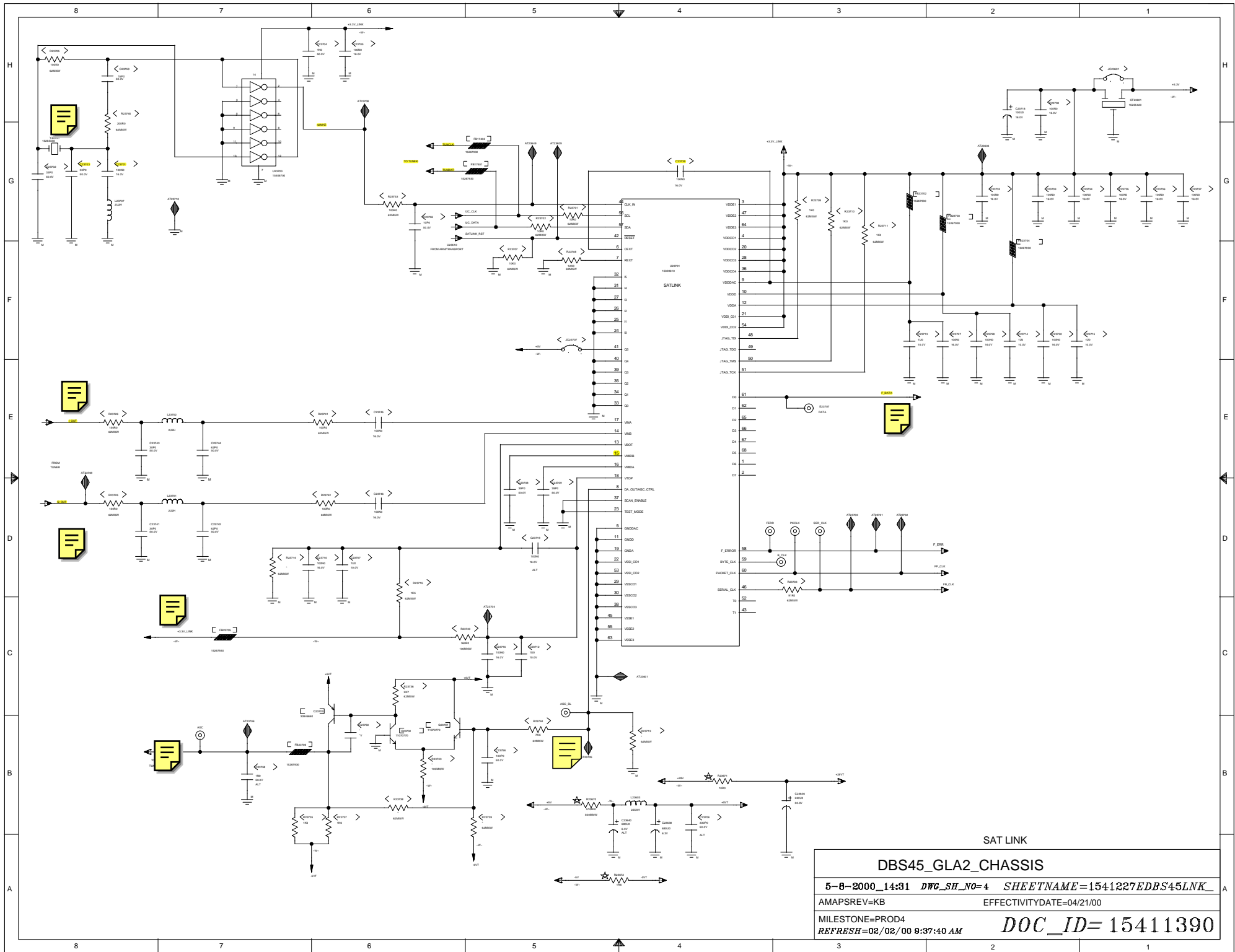
DOC_ID= 15411390



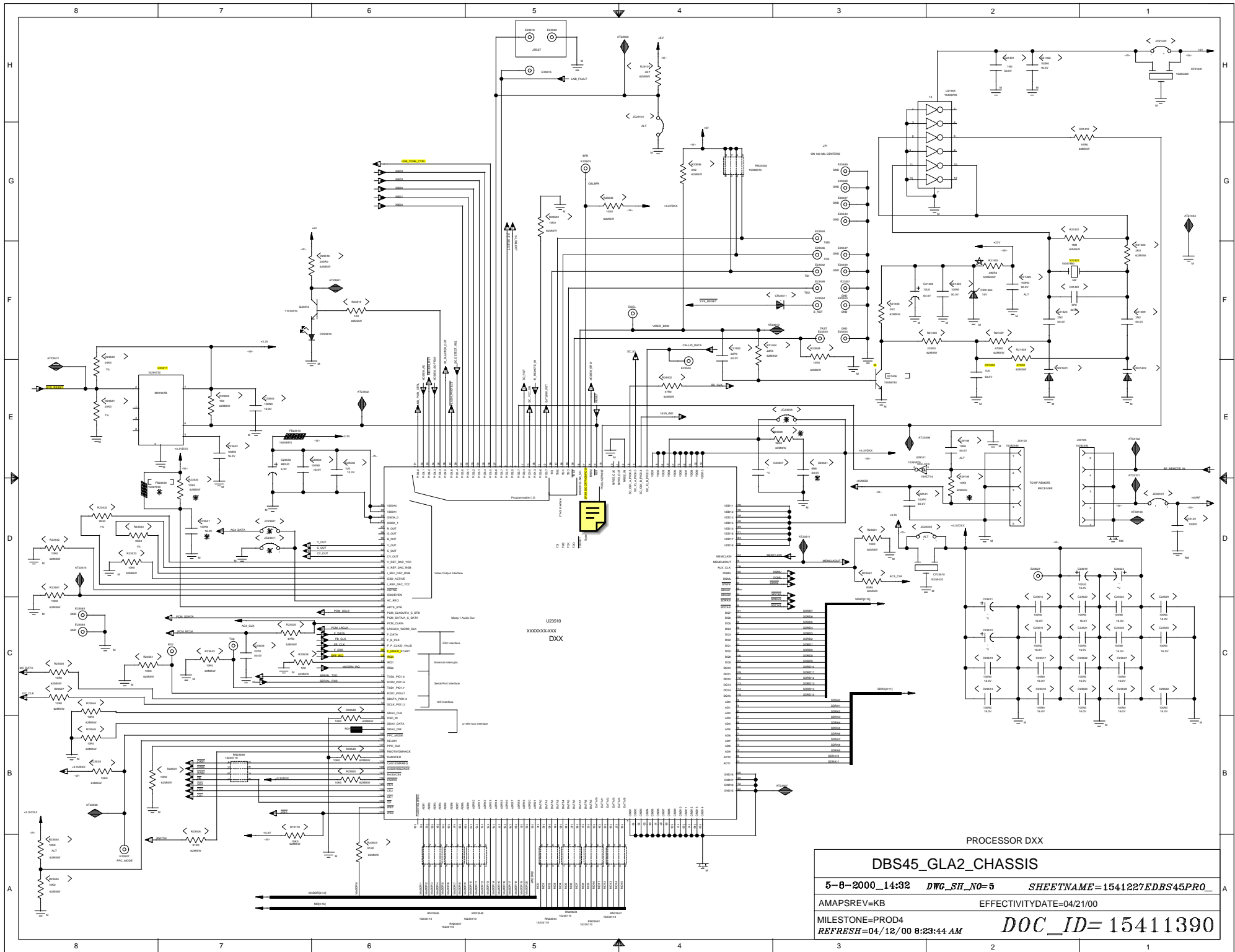
TUNER DBS4.5 PHILLIPS

DBS45_GLA2_CHASSIS

5-8-2000_14:34	DWG_SH_NO=2	SHEETNAME=1541227EDBS45TUN
AMAPSREV=KB	EFFECTIVITYDATE=04/21/00	
MILESTONE=PROD4		
REFRESH=03/13/00 9:39:43 AM		DOC_ID= 15411390



SAT LINK		
DBS45_GLA2_CHASSIS		
5-8-2000_14:31	DWG_SH_NO=4	SHEETNAME=1541227EDBS45LNK
AMAPSREV=KB	EFFECTIVITYDATE=04/21/00	
MILESTONE=PROD4	DOC_ID= 15411390	
REFRESH=02/02/00 9:37:40 AM		



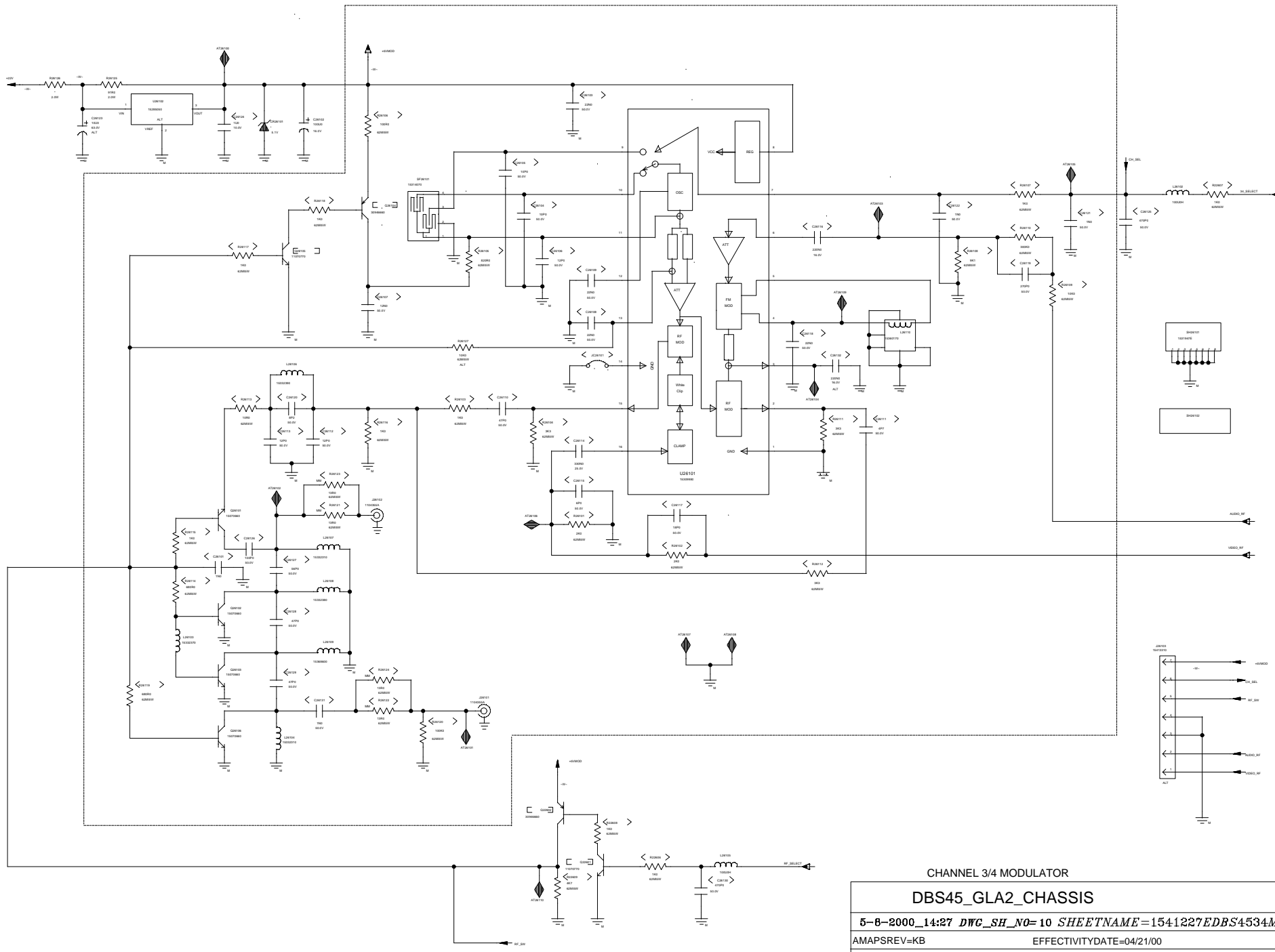
PROCESSOR DXX

DBS45_GLA2_CHASSIS

5-8-2000_14:32 DWG_SH_NO=5 SHEETNAME=154127EDBS45PRO

AMAPSREV=KB EFFECTIVITYDATE=04/21/00

MILESTONE=PROD4 REFRESH=04/12/00 8:23:44 AM **DOC_ID= 15411390**



CHANNEL 3/4 MODULATOR

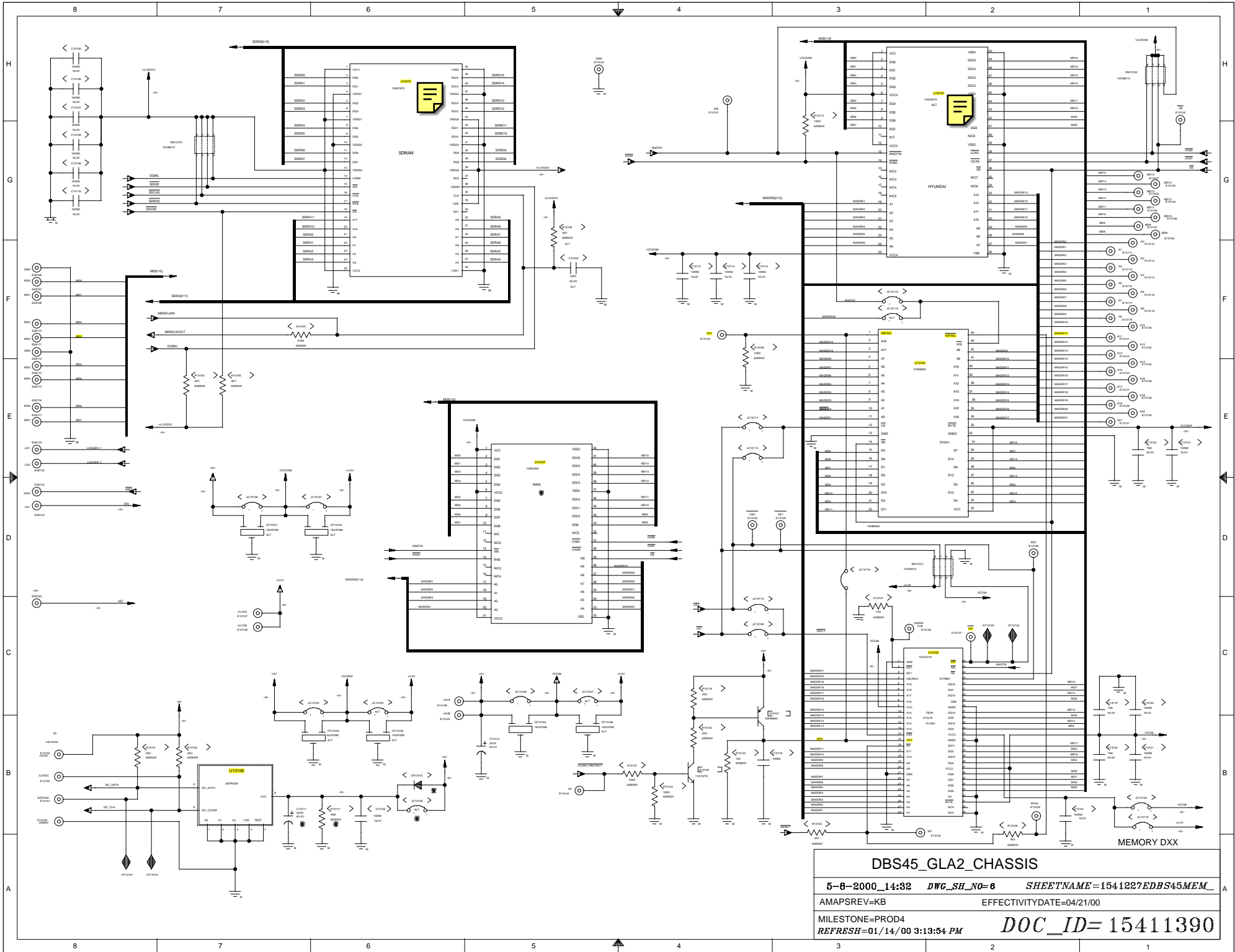
DBS45_GLA2_CHASSIS

5-8-2000_14:27 DFC_SH_NO=10 SHEETNAME=1541227EDBS4534M

AMAPSREV=KB EFFECTIVITYDATE=04/21/00

MILESTONE=PROD4

REFRESH=04/14/00 10:54:31 AM DOC_ID= 15411390

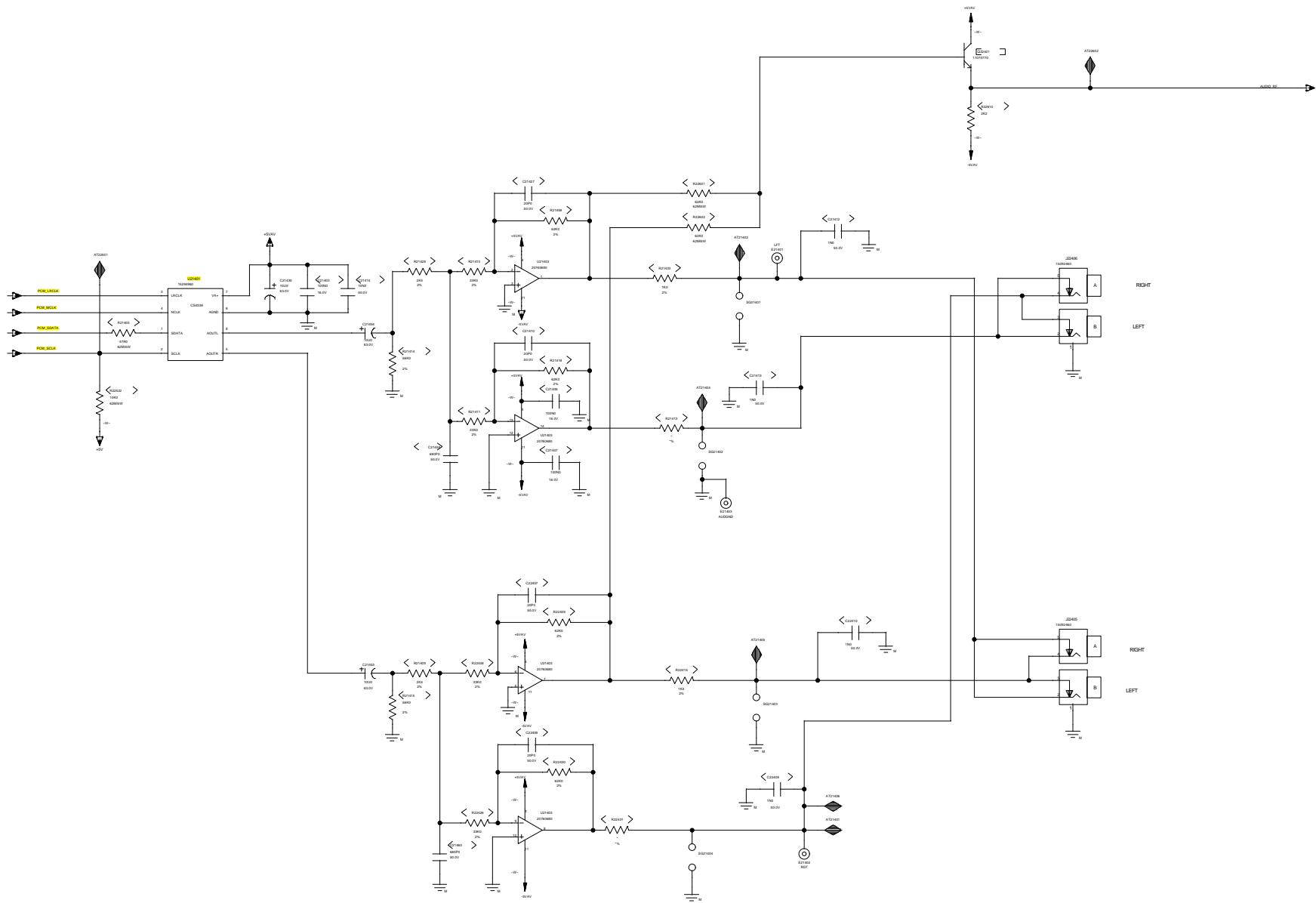


DBS45_GLA2_CHASSIS

5-8-2000_14:32 DWG_SH_N0=6 SHEETNAME=1541227EDBS45MEM_

AMAPSREV=KB EFFECTIVITYDATE=04/21/00

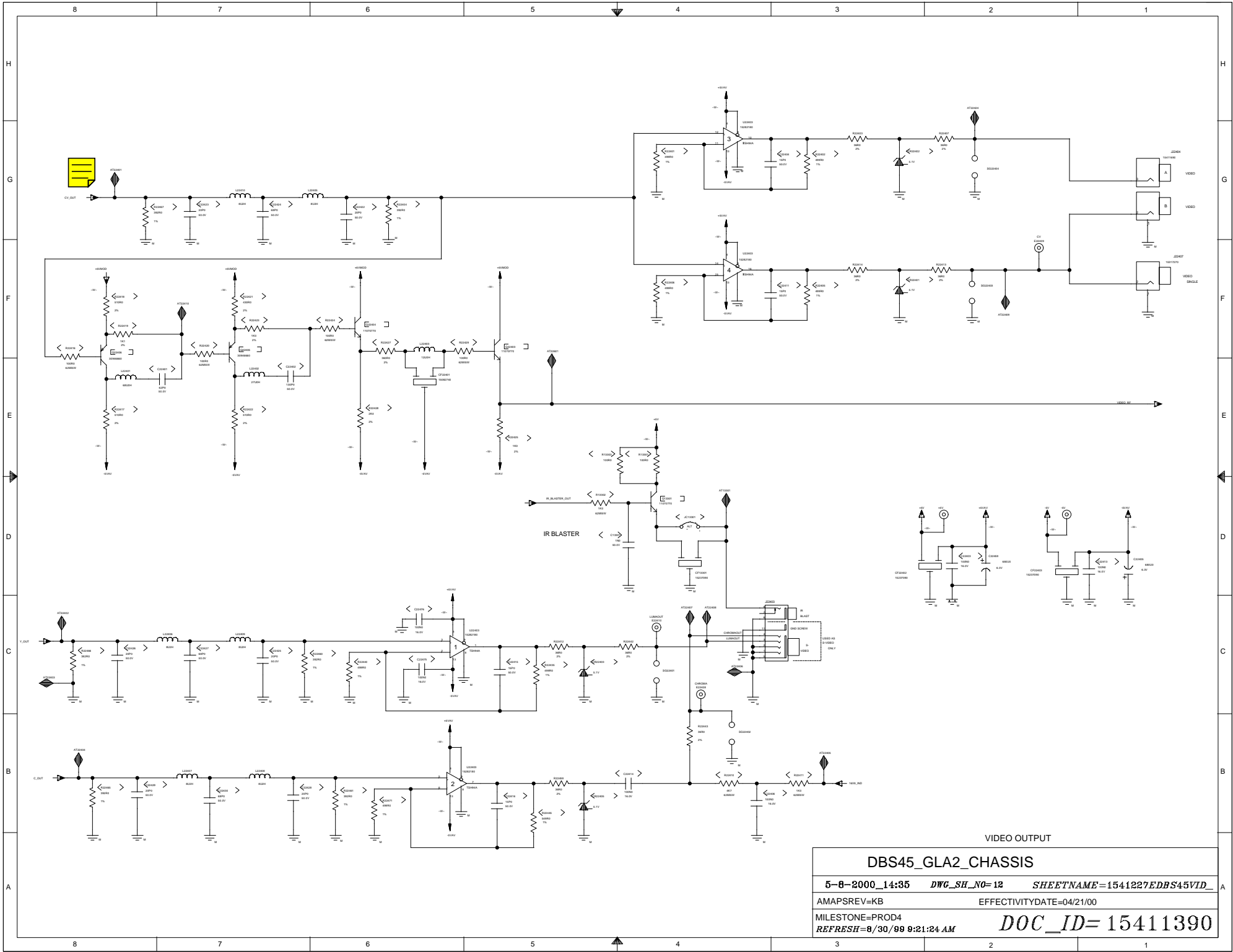
MILESTONE=PROD4 REFRESH=01/14/00 3:13:54 PM DOC_ID= 15411390



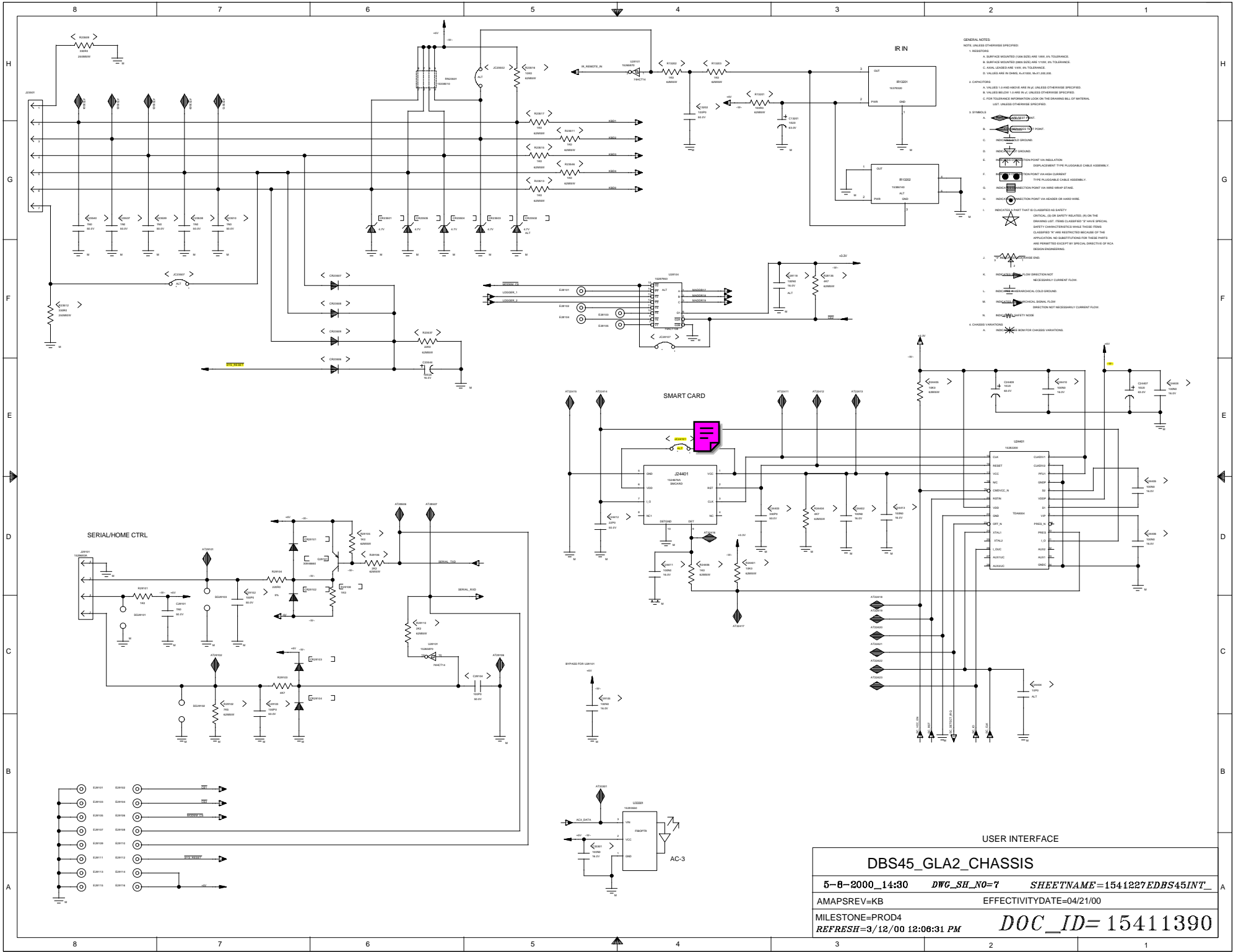
AUDIO DAC/Vcxo AUDIO OUTPUT

DBS45_GLA2_CHASSIS

5-8-2000_14:28	DWG_SH_NO=9	SHEETNAME=1541227EDBS45AUD_
AMAPSREV=KB	EFFECTIVITYDATE=04/21/00	
MILESTONE=PROD4	DOC_ID= 15411390	
REFRESH=8/27/99 4:01:44 PM		

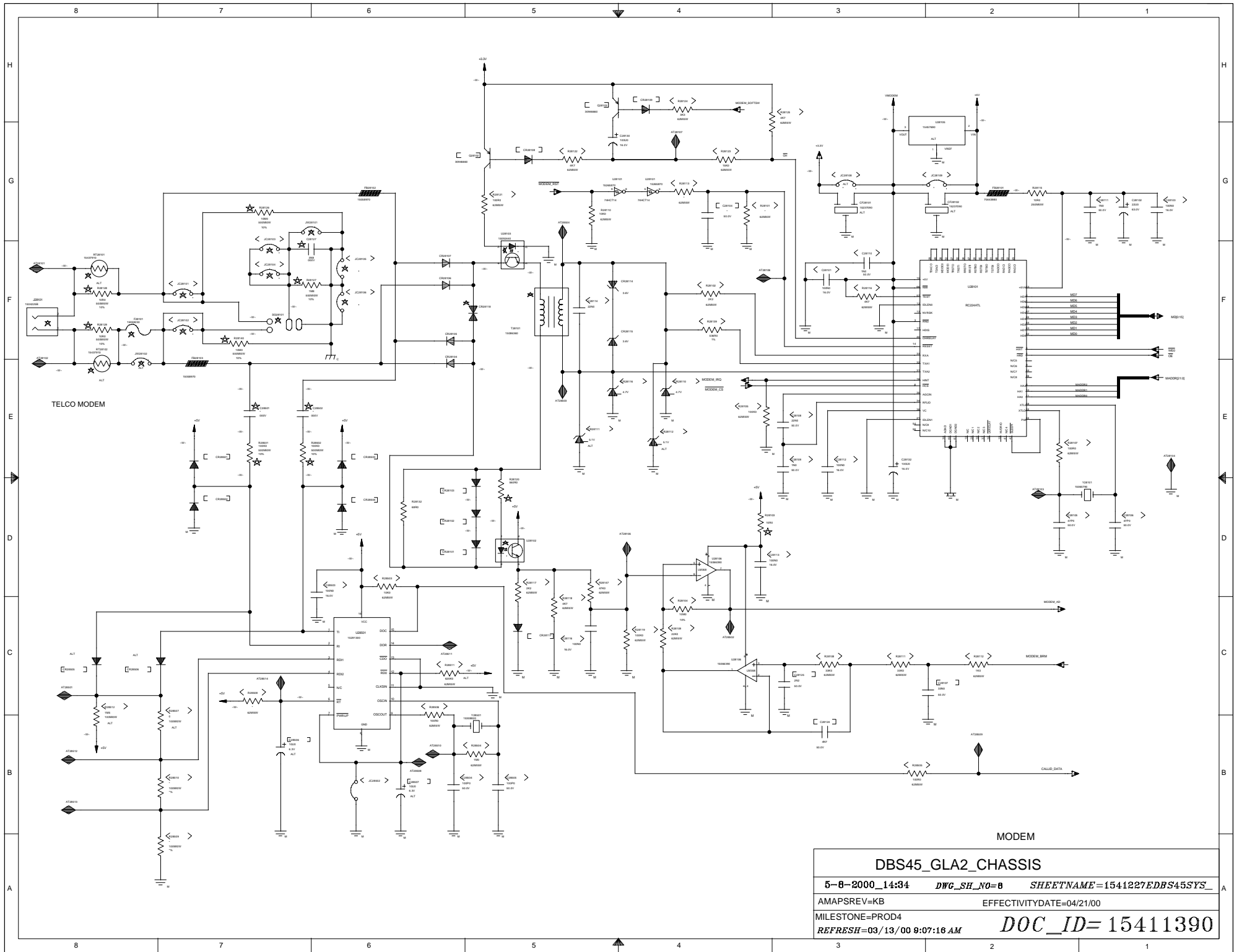


DBS45_GLA2_CHASSIS		
5-8-2000_14:35	DWG_SH_NO= 12	SHEETNAME=1541227EDBS45VID
AMAPSREV=KB	EFFECTIVITYDATE=04/21/00	
MILESTONE=PROD4		DOC_ID= 15411390
REFRESH=8/30/99 9:21:24 AM		

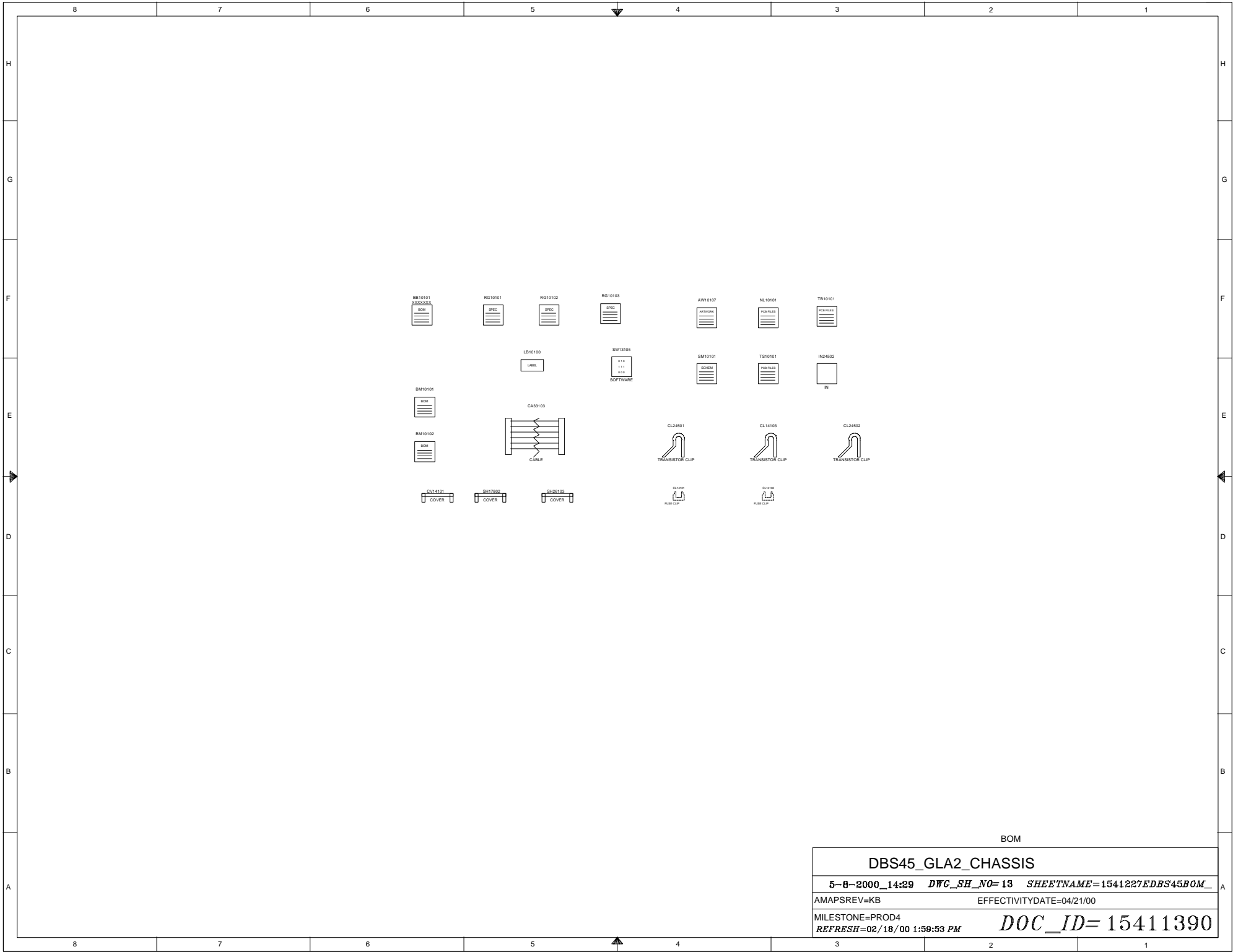


- GENERAL NOTES:**
 NOTE: UNLESS OTHERWISE SPECIFIED:
 1. RESISTORS:
 A. SURFACE MOUNTED (FROM SIDE) ARE 1% IN TOLERANCE.
 B. SURFACE MOUNTED (FROM SIDE) ARE 1% IN TOLERANCE.
 C. AXIAL LEADED ARE 1% IN TOLERANCE.
 D. VALUES ARE IN OHMS, K=1000, M=1,000,000.
 2. CAPACITORS:
 A. VALUES 1.0 AND ABOVE ARE μF , UNLESS OTHERWISE SPECIFIED.
 B. VALUES BELOW 1.0 ARE nF , UNLESS OTHERWISE SPECIFIED.
 C. FOR TOLERANCE INFORMATION LOOK ON THE DRAWING BILL OF MATERIAL LIST UNLESS OTHERWISE SPECIFIED.
 3. SYMBOLS:
 A. RELAY
 B. CONNECTION POINT
 C. MICROCONTROLLER
 D. JUNCTION
 E. JUNCTION POINT
 F. EQUIPMENT VIA RELATIONSHIP (REPLACEMENT TYPE PLUGGABLE CABLE ASSEMBLY)
 G. POINT FOR VIA HIGH CURRENT TYPE PLUGGABLE CABLE ASSEMBLY
 H. INDICATE CONNECTION POINT ON WIRE WRAP STRIPS
 I. INDICATE CONNECTION POINT ON HEADER OR HARD WIRE
 J. INDICATE POINT THAT IS CLASSIFIED AS SAFETY CRITICAL, IS OR SAFETY RELATED (ON THE DRAWING LIST THESE CLASSIFIED AS "HIGH SPECIAL SAFETY CHARACTERISTICS" AND "HIGH SPECIAL SAFETY CHARACTERISTICS" AND "HIGH SPECIAL SAFETY CHARACTERISTICS" ARE PERMITTED EXCEPT BY SPECIAL DIRECTIVE OF ICA OR DESIGN ENGINEERING)
 K. INDICATE LOW CURRENT DIRECTION NOT NECESSARILY CURRENT FLOW
 L. INDICATE MECHANICAL COLD GROUND
 M. INDICATE MECHANICAL SIGNAL GROUND DIRECTION NOT NECESSARILY CURRENT FLOW
 N. INDICATE SAFETY HOOK
 O. CHANGE VARIATIONS
 A. INDICATE BOX FOR CHANGE VARIATIONS

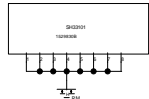
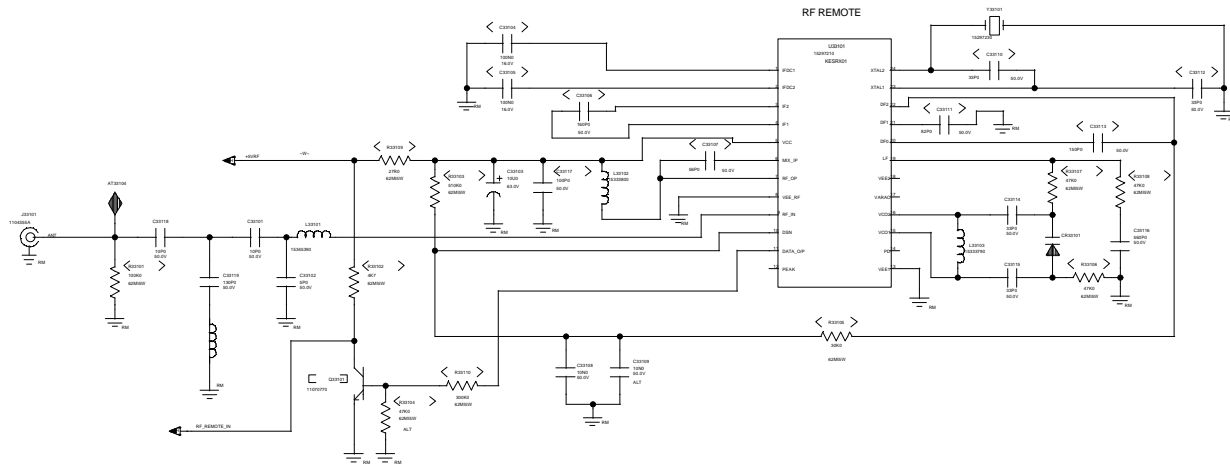
USER INTERFACE	
DBS45_GLA2_CHASSIS	
5-8-2000_14:30	DWG_SH_NO=7
SHEETNAME=1541227EDBS45INT_	
AMAPSREV=KB	EFFECTIVITYDATE=04/21/00
MILESTONE=PROD4	DOC_ID= 15411390
REFRESH=3/12/00 12:06:31 PM	



MODEM		
DBS45_GLA2_CHASSIS		
5-8-2000_14:34	DWG_SH_N0=8	SHEETNAME=1541227EDBS45SYS_
AMAPSREV=KB	EFFECTIVITYDATE=04/21/00	
MILESTONE=PROD4		
REFRESH=03/13/00 9:07:16 AM	DOC_ID= 15411390	



BOM		
DBS45_GLA2_CHASSIS		
5-8-2000_14:29	DWC_SH_NO= 13	SHEETNAME=1541227EDBS45BOM_
AMAPSREV=KB	EFFECTIVITYDATE=04/21/00	
MILESTONE=PROD4	DOC_ID= 15411390	
REFRESH=02/18/00 1:59:53 PM		



RF REMOTE RECEIVER

DBS45_GLA2_CHASSIS	
5-8-2000_14:33	DWG_SH_NO= 11 SHEETNAME=1541227EDBS45RFR
AMAPSREV=KB	EFFECTIVITYDATE=04/21/00
MILESTONE=PROD4	DOC_ID= 15411390
REFRESH=03/02/00 8:15:19 AM	

8	7	6	5	4	3	2	1
Sheet	Part	Sheet	Part	Sheet	Part	Sheet	Part
Ref.	Map	Ref.	Map	Ref.	Map	Ref.	Map
82051	D2117	81411	T711 F3	81111	FF04 E1 08	82219	H111 C4 12
82260	QD11 G5 05	81411	S201 F5 05	81111	FF04 E1 08	82301	H111 D5 05
82261	H111 D5 05	81412	T712 F3	81111	FF04 E1 08	82301	H111 D5 05
82262	H111 E1 08	81412	S201 F5 05	81111	FF04 E1 08	82301	H111 D5 05
82263	H111 F1 08	81412	T713 F3	81111	FF04 E1 08	82301	H111 D5 05
82264	H111 G1 05	81413	L801 F4 08	81111	FF04 E1 08	82301	H111 D5 05
82265	H111 H1 05	81413	S201 F5 05	81111	FF04 E1 08	82301	H111 D5 05
82266	G201 D1 08	81414	R801 H2 05	81111	FF04 E1 08	82301	H111 D5 05
82268	H111 I1 05	81414	S201 F5 05	81111	FF04 E1 08	82301	H111 D5 05
82269	H111 J1 05	81415	R901 H2 05	81111	FF04 E1 08	82301	H111 D5 05
82270	H111 K1 05	81415	S201 F5 05	81111	FF04 E1 08	82301	H111 D5 05
82271	H111 L1 05	81416	R101 H2 05	81111	FF04 E1 08	82301	H111 D5 05
82272	H111 M1 05	81416	S201 F5 05	81111	FF04 E1 08	82301	H111 D5 05
82273	H111 N1 05	81417	R111 H2 05	81111	FF04 E1 08	82301	H111 D5 05
82274	H111 O1 05	81417	S201 F5 05	81111	FF04 E1 08	82301	H111 D5 05
82275	H111 P1 05	81418	R121 H2 05	81111	FF04 E1 08	82301	H111 D5 05
82276	H111 Q1 05	81418	S201 F5 05	81111	FF04 E1 08	82301	H111 D5 05
82277	H111 R1 05	81419	R131 H2 05	81111	FF04 E1 08	82301	H111 D5 05
82278	H111 S1 05	81419	S201 F5 05	81111	FF04 E1 08	82301	H111 D5 05
82279	H111 T1 05	81420	R141 H2 05	81111	FF04 E1 08	82301	H111 D5 05
82280	H111 U1 05	81420	S201 F5 05	81111	FF04 E1 08	82301	H111 D5 05
82281	H111 V1 05	81421	R151 H2 05	81111	FF04 E1 08	82301	H111 D5 05
82282	H111 W1 05	81421	S201 F5 05	81111	FF04 E1 08	82301	H111 D5 05
82283	H111 X1 05	81422	R161 H2 05	81111	FF04 E1 08	82301	H111 D5 05
82284	H111 Y1 05	81422	S201 F5 05	81111	FF04 E1 08	82301	H111 D5 05
82285	H111 Z1 05	81423	R171 H2 05	81111	FF04 E1 08	82301	H111 D5 05
82286	H111 A1 05	81423	S201 F5 05	81111	FF04 E1 08	82301	H111 D5 05
82287	H111 B1 05	81424	R181 H2 05	81111	FF04 E1 08	82301	H111 D5 05
82288	H111 C1 05	81424	S201 F5 05	81111	FF04 E1 08	82301	H111 D5 05
82289	H111 D1 05	81425	R191 H2 05	81111	FF04 E1 08	82301	H111 D5 05
82290	H111 E1 05	81425	S201 F5 05	81111	FF04 E1 08	82301	H111 D5 05
82291	H111 F1 05	81426	R201 H2 05	81111	FF04 E1 08	82301	H111 D5 05
82292	H111 G1 05	81426	S201 F5 05	81111	FF04 E1 08	82301	H111 D5 05
82293	H111 H1 05	81427	R211 H2 05	81111	FF04 E1 08	82301	H111 D5 05
82294	H111 I1 05	81427	S201 F5 05	81111	FF04 E1 08	82301	H111 D5 05
82295	H111 J1 05	81428	R221 H2 05	81111	FF04 E1 08	82301	H111 D5 05
82296	H111 K1 05	81428	S201 F5 05	81111	FF04 E1 08	82301	H111 D5 05
82297	H111 L1 05	81429	R231 H2 05	81111	FF04 E1 08	82301	H111 D5 05
82298	H111 M1 05	81429	S201 F5 05	81111	FF04 E1 08	82301	H111 D5 05
82299	H111 N1 05	81430	R241 H2 05	81111	FF04 E1 08	82301	H111 D5 05
82300	H111 O1 05	81430	S201 F5 05	81111	FF04 E1 08	82301	H111 D5 05

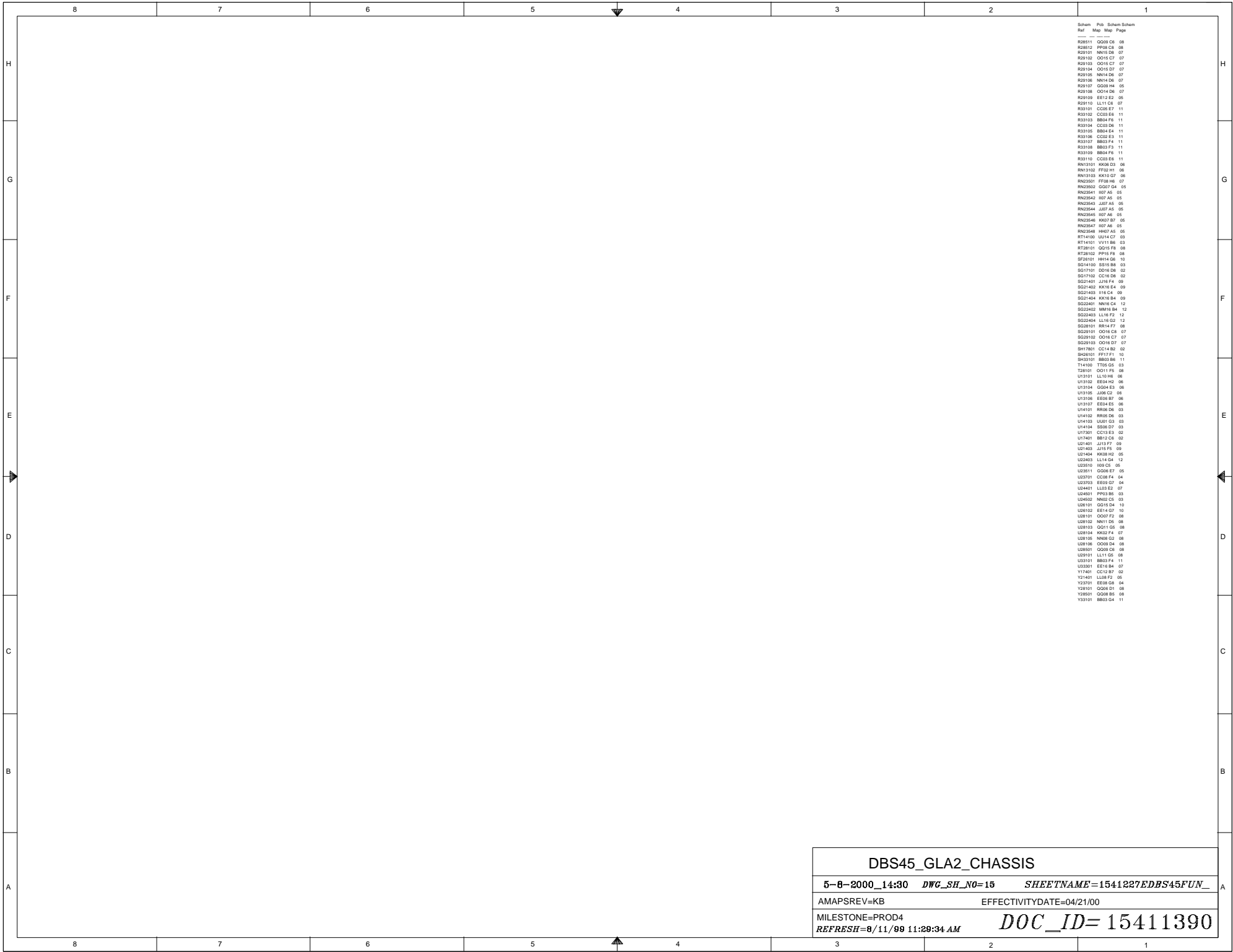
DBS45_GLA2_CHASSIS

5-8-2000_14:30 DWG_SH_N0=14 SHEETNAME=154127EDBS45FUN A

AMAPREF=KB EFFECTIVITYDATE=04/21/00

MILESTONE=PROD4 REFRESH=8/11/99 11:29:34 AM

DOC_ID=15411390



Ref	Pub	Bohem	Bohem
R2811	Q281	CA	08
R2812	PP48	CA	08
R2813	NN18	DE	07
R2814	OO15	CT	07
R29103	OO15	CT	07
R29104	OO15	CT	07
R29105	NN14	DE	07
R29106	NN14	DE	07
R29107	GG09	HA	05
R29108	OO14	DE	07
R29109	EE12	EA	05
R29110	LL11	CA	07
R3101	CO03	EA	11
R3102	CO03	EA	11
R3103	BB44	FA	11
R3104	CC03	DE	11
R3105	BB44	EA	11
R3106	CC02	EA	11
R3107	BB44	FA	11
R3108	BB03	FA	11
R3109	BB44	FA	11
R3110	CO03	EA	11
RN13101	KK08	D3	06
RN13102	FF02	H1	06
RN13103	KK10	G2	06
RN2301	FF08	H4	07
RN2302	OO07	CA	05
RN2347	IO7	AE	05
RN2348	IO7	AE	05
RN2349	JJ07	AE	05
RN2354	LI07	AE	05
RN2345	IO7	AE	05
RN2346	KK07	B7	05
RN2347	IO7	AE	05
RN2348	IO7	AE	05
RT14100	UU14	CT	03
RT14101	VV11	BE	03
RT28101	QQ15	FA	08
RT28102	PP15	FA	08
SF4101	HH14	DE	10
SG14100	SS15	BE	03
SG17101	DD18	DE	02
SG17102	CC18	DE	02
SG21401	JJ16	FA	09
SG21402	KK18	EA	09
SG21403	HH14	CA	09
SG22401	NN18	CA	12
SG22402	MM18	BA	12
SG22403	LL16	FA	12
SG22404	LL16	G2	12
SG28101	RS14	FT	08
SG29101	OO18	CA	07
SG29102	OO18	CT	07
SG29103	OO18	D7	07
SH1701	CO14	BE	02
SH28101	FF17	FA	10
SH28102	BB03	BE	11
T14100	TT06	GS	03
T28101	OO11	FA	08
U13101	LL19	HE	06
U13102	EE04	HD	06
U13104	GG04	EA	06
U13105	JJ06	C2	06
U13106	EE03	B7	06
U13107	EE04	EA	06
U14101	RR08	DE	03
U14102	RR08	DE	03
U14103	UU01	G3	03
U14104	SS08	D7	03
U17301	CC13	EA	02
U17401	BB12	CA	02
U21401	JJ13	FF	09
U21402	JJ13	FA	09
U21404	KK08	HD	05
U22403	LL14	G4	12
U22510	HH15	CE	06
U23511	GG08	ET	05
U23701	CC03	FA	04
U23703	EE09	G7	04
U24811	LL03	EA	07
U24801	PP03	BE	03
U24802	NN02	CA	03
U28101	GG15	DA	10
U28102	EE14	G7	10
U28103	OO07	F2	08
U28102	NN11	D5	08
U28103	OO11	GS	08
U28104	KK02	FA	07
U28105	NN08	G2	08
U28106	OO09	DA	08
U28501	OO09	CA	08
U29101	LL11	GS	08
U33101	BB03	FA	11
U33201	EE18	BA	07
Y17401	CC12	B7	02
Y21401	LL03	FA	06
Y21701	EE08	CA	04
Y28101	GG08	D1	08
Y28501	QQ08	BS	04
Y33101	BB03	G4	11

DBS45_GLA2_CHASSIS		
5-8-2000_14:30	DWG_SH_N0=15	SHEETNAME=1541227EDBS45FUN
AMAPSRV=KB	EFFECTIVITYDATE=04/21/00	
MILESTONE=PROD4	DOC_ID= 15411390	
REFRESH=8/11/99 11:29:34 AM		