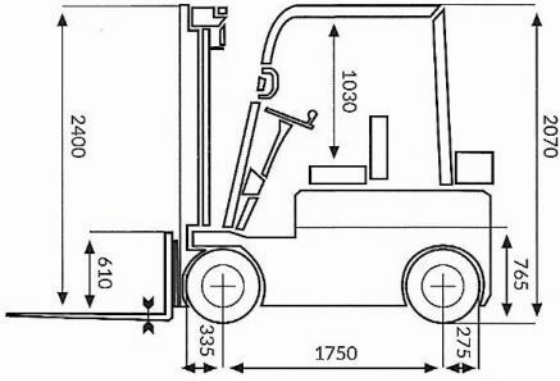


YOU WILL NOT ONLY FEEL THE DIFFERENCE BUT SEE THE RESULTS!

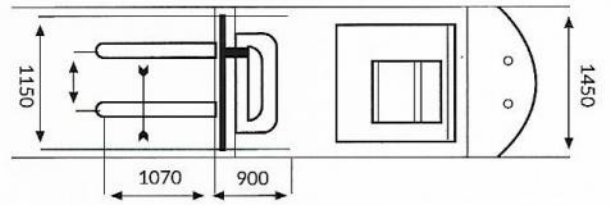
2-3.5 TON DIESEL FORKLIFT PERFORMANCE PARAMETER

Model			Unit	CPCD20	CPCD25	CPCD30	CPCD35
Rated Capacity			kg	2000	2500	3000	3000
Load Center			mm	500	500	500	500
Operator Type				SEATED	SEATED	SEATED	SEATED
Lift height			mm	3000	3000	3000	3000
Free Lift			mm	240	240	175	240
Tilt angle (Front/Rear)				6° / 12°	6° / 12°	6° / 12°	6° / 12°
Overhead Length			mm	2505	2580	2680	2745
Overhead Width			mm	1150	1150	1150	1150
Overhead height fork lowered (Up Right)			mm	2065	2065	2065	2065
Overhead height (Inside of forks)			mm	4030	4030	4030	4030
Overhead height			mm	2070	2070	2070	2070
Outside Turning Radius			mm	2170	2230	2420	2420
Overhang (front)			mm	485	485	498	498
Minimum Intersecting aisle			mm	1920	2000	2120	2120
Speed	Max. Driving Speed	With Load	km/h	19,5	19,5	19,5	19,5
		Without Load	km/h	20	20	20	20
	Lifting	With Load	mm/s	500	500	470	500
		Without Load	mm/s	530	530	520	530
	Lowering	With Load	mm/s	550	550	550	550
		Without Load	mm/s	540	540	520	540
Max. Drawbar Pull		With Load/Without Load	kN	11.5/9.1	11.2/8.6	11.2/10.2	15/8.6
Max. Gradeability (Loaded)		With Load/Without Load	% (fan)	22/20	18/20	15/18	20/20
Weight			kg	3400	3650	4410	4790
Tyre	Specifications	Front	mm	7.00 - 12 - 12PR	7.00 - 12 - 12PR	28x9 - 15 - 12PR	28x9 - 15 - 12PR
		Back	mm	6.00 - 9 - 10PR	6.00 - 9 - 10PR	6.50 - 10 - 10PR	6.50 - 10 - 10PR
Wheelbase			mm	1600	1600	1700	1700
Tread	Front		mm	970	1000	1000	1000
	Back		mm	970	970	970	970
Turning Radius	Low-water mark (mast)		mm	110	110	110	110
	Frame		mm	115	115	115	115
Service Brake				Hydraulic Pedal	Hydraulic Pedal	Hydraulic Pedal	Hydraulic Pedal
				Mechanical Hand	Mechanical Hand	Mechanical Hand	Mechanical Hand
Battery	Voltage/Capacity		V/AH	12 / 100 / 20h	12 / 100 / 20h	12 / 100 / 20h	12 / 100 / 20h
Engine	Model			XCA 490 BPG	XCA 490 BPG	XCA 490 BPG	XC 495 BPG
	Rated Output		kw/rpm	37 / 2650	37 / 2650	37 / 2650	42 / 2650
	Torque		Nm/rpm	148 / 2000	148 / 2000	148 / 2000	174 / 2000
	Number of Cylinders			4	4	4	4
Tank Capacity			L	50	50	50	50
Transmission		Type		Power-Shift/ Manual	Power-Shift/ Manual	Power-Shift/ Manual	Power-Shift/ Manual
Number of Speeds				1 / 2	1 / 2	1 / 2	1 / 2

CPCD30

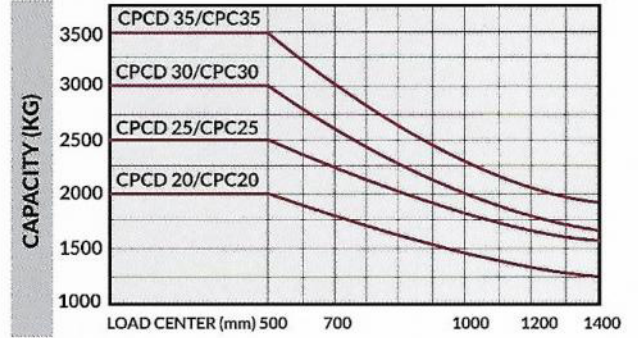


SIDE VIEW



VERTICAL VIEW

LOAD CURVE



CPCD20



CPCD35



CPCD30