

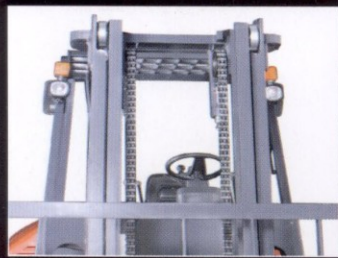
HELI

ENGINE POWERED 5-10t



Digital Instrument

- Clear and easy to read
- Instantaneous reading when switched on
- Ergonomical layout



Wide View Mast

- H2000 series forklift trucks are fitted with wide masts that give the operator greater visibility to the front



Superior Steering Axle

- Fully power assisted steering as standard which is compact and easy to maintain

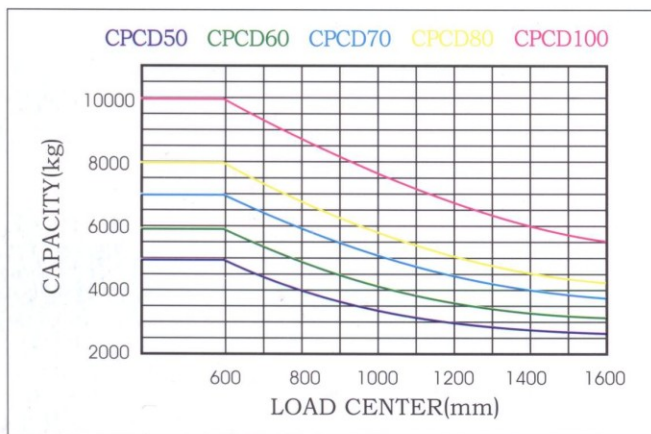
h2000
SERIES

CPCD50
CPCD60
CPCD70
CPCD80
CPCD100



STANDARD SPECIFICATION

Manufacturer		ANHUI HELI CO., LTD.				
Model		CPCD50	CPCD60	CPCD70	CPCD80	CPCD100
Load Capacity	kg	5000	6000	7000	8000	10000
Load Center	mm	600				
Tire Type		Pneumatic				
Lifting Speeds	With Load / Without Load	mm/s		500 / 550	460/500	380/410
Lowering Speeds	With Load / Without Load	mm/s		<600 / >300		
Free Lift	mm	200	205	210	200	210
Max. Driving Speeds	With load/Without load	km/h		26 / 30		
Min. Turning Radius(outside)	mm	3250	3300	3370	3700	3900
Max. Gradeability	With load/Without load	%		35 / 19	32 / 19	30 / 19
Max. Towing	With load/Without load	N		54000	54000	54300
Wheel (Front/Rear) X=Driving Wheel		4X / 2				
Overhead Guard Height	mm	2450			2585	
Mast Height	mm	2500		2625	2700	2850
Max.Lifting Height	mm	4420				4330
Fork Size (L x W x T)	mm	1220 × 150 × 55	1220 × 150 × 60	1220 × 150 × 65	1220 × 170 × 70	1220 × 175 × 80
Tire (Front/Rear)		8.25 - 15 - 14PR / 8.25 - 15 - 14PR			9.00 - 20 - 14PR / 9.00 - 20 - 14PR	
Ground Clearance	At lower point (Mast)	mm			200	250
Weight Distribution with Load	Front/Rear	kg		11660/1320	13050/1590	14570/1780
Weight Distribution without Load	Front/Rear	kg		4010/3970	3880/4760	3860/5490
Battery	Voltage/Capacity	V/Ah		24 / 105		
Service Brake		HYDRAULIC - PEDAL				
Parking Brake		MECHANICAL - HAND BRAKE ROD				
Internal Combustion Engine	Model	ISUZU 6BG1 DIESEL ENGINE				
	Rate horse power	KW (Ps) / r. p. m		82.3 (112) / 2000		
	Rate torque	N. m (kg. m) / r. p. m		416 / 1400 - 1600		
	Number of Cylinder	6				
	Displacement	L		6.494		
Fuel Tank Capacity	L		140			
Transmission	Number of Speed Fwd/Rvs-Type	2 / 2 POWER SHIFT				
Total Weight	kg	7980	8640	9350	10850	12510



Note:

Vertical axle stands for load capacity while horizontal axle stands for load center. Load center is the distance counted from the front of the cubic with the same 1000mm dimension in length, width and height. The load capacity should be down, if mast tilts forward, using non-standard forks or loading goods with extra width. Please notice the different load capacity between different load centers according to load chart.



5-7t WIDE VIEW MAST

Mast model	Max. Fork Height (mm)	Load Capacity (kg)			Overall Mast Height (At Lowered) (mm)			Tilting Angle (deg.)	Service Weight (kg)		
		CPCD50	CPCD60	CPCD70	CPCD50	CPCD60	CPCD70		CPCD50	CPCD60	CPCD70
M250	2500	5000	6000	7000		2250		6 - 12	7900	8560	9270
M270	2700	5000	6000	7000		2350		6 - 12	7930	8590	9300
M300	3000	5000	6000	7000		2500		6 - 12	7980	8640	9350
M330	3300	5000	6000	7000		2650		6 - 12	8030	8690	9400
M350	3500	5000	6000	7000		2750		6 - 12	8060	8720	9440
M375	3750	5000	6000	7000		2875		6 - 12	8100	8760	9480
M400	4000	5000	6000	7000		3050		6 - 12	8270	8930	9650
M425	4250	5000	6000	7000		3175		6 - 12	8310	8970	9690
M450	4500	5000	6000	7000		3300		6 - 12	8350	9010	9730
M475	4750	5000	6000	7000		3425		6 - 6	8390	9050	9770
M500	5000	5000	6000	7000		3550		6 - 6	8430	9090	9810
M550	5500	4750	5700	6600		3850		3 - 6	8630	9290	10000
M600	6000	4400	5400	6400		4100		3 - 6	8710	9370	10080

5-6t WIDE VIEW FULL FREE 2-STAGE MAST

Mast model	Max. Fork Height (mm)	Load Capacity (kg)		Overall Mast Height (At Lowered) (mm)		Free Lift With Backrest (mm)	Tilting Angle Fwd/Bwd (deg.)	Service Weight With Backrest (kg)	
		CPCD50	CPCD60	CPCD50	CPCD60			CPCD50	CPCD60
ZM250	2500	5000	6000		2185	1270	6 - 12	8010	8670
ZM270	2700	5000	6000		2310	1370	6 - 12	8040	8700
ZM300	3000	5000	6000		2460	1520	6 - 12	8090	8750
ZM330	3300	5000	6000		2610	1670	6 - 12	8140	8800
ZM350	3500	5000	6000		2710	1770	6 - 12	8170	8830
ZM375	3750	5000	6000		2835	1895	6 - 12	8210	8870
ZM400	4000	5000	6000		3010	2070	6 - 12	8370	9030
ZM425	4250	5000	6000		3135	2195	6 - 12	8410	9070
ZM450	4500	5000	6000		3260	2320	6 - 12	8450	9110
ZM475	4750	5000	6000		3385	2445	6 - 6	8490	9150
ZM500	5000	5000	6000		3510	2570	6 - 6	8530	9190
ZM550	5500	4750	5700		3810	2870	3 - 6	8730	9390
ZM600	6000	4400	5400		4060	3120	3 - 6	8810	9470

NOTE: FREE LIFTING HEIGHT WITHOUT BACKREST + 420mm

5-6t WIDE VIEW FULL FREE 3-STAGE MAST

Mast model	Max. Fork Height (mm)	Load Capacity (kg)		Overall Mast Height (At Lowered) (mm)	Free Lift With Backrest (mm)	Tilting Angle Fwd/Bwd (deg.)	Service Weight With Backrest (kg)	
		CPCD50	CPCD60				CPCD50	CPCD60
ZSM360	3600	4500	5600	2335	1300	6 - 6	8670	9330
ZSM400	4000	4500	5600	2470	1420	6 - 6	8730	9390
ZSM435	4350	4500	5600	2585	1550	6 - 6	8790	9450
ZSM480	4800	4500	5600	2740	1700	6 - 6	8980	9640
ZSM500	5000	4500	5600	2805	1800	3 - 6	9010	9670
ZSM540	5400	4200	5300	2940	1920	3 - 6	9080	9740
ZSM600	6000	4000	5000	3140	2220	3 - 6	9170	9830

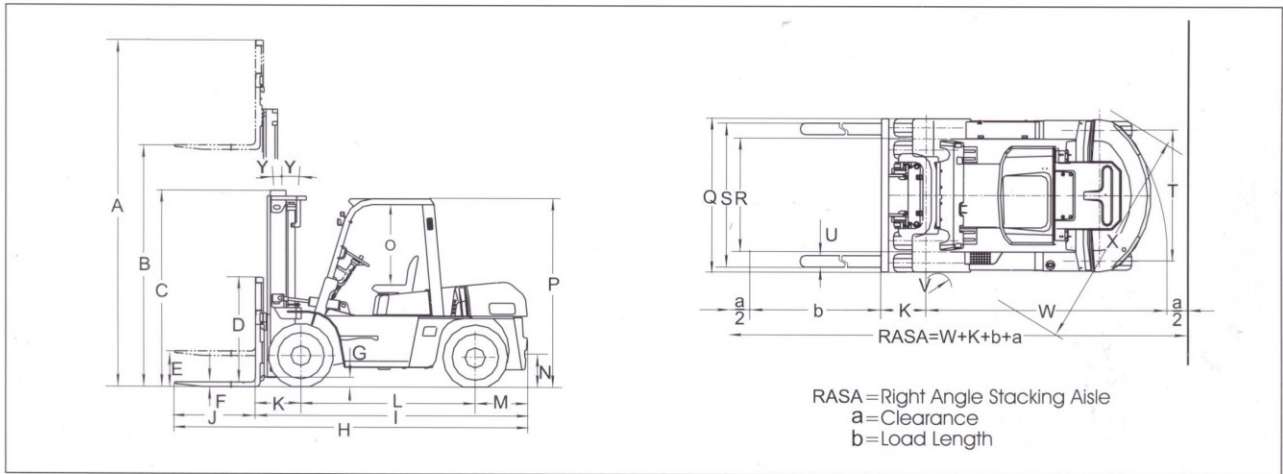
NOTE: FREE LIFTING HEIGHT WITHOUT BACKREST + 325mm



CE Certification



ISO9001 Certification



STANDARD DIMENSIONS (Front Double Tire)

Model	CPCD50-W2	CPCD60-W2	CPCD70-W2	CPCD80-W4	CPCD100-W4
	mm	mm	mm	mm	mm
A Overall height fork raised(with backrest)	4420	4420	4420	4420	4330
B Max.fork height	3000	3000	3000	3000	3000
C Overall height fork lowered (upright)	2500	2500	2625	2700	2850
D Backrest height (from upper face of forks)	1365	1365	1365	1374	1015
E Free lift	200	205	210	200	210
F Fork thickness	55	60	65	70	80
G Min.under-clearance (bottom of mast)	200	200	200	250	245
H Overall length (with forks)	4660	4735	4800	5160	5480
I Overall length(without forks)	3440	3515	3580	3940	4260
J Fork length	1220	1220	1220	1220	1220
K Fork overhang	590	590	590	700	718
L Wheel base	2250	2250	2250	2500	2800
M Rear overhang	600	675	740	740	740
N Coupler height	430	430	430	540	540
O Overhead Guard Clearance (from face of seat)	1035	1035	1035	1035	1035
P Overall height(overhead guard)	2450	2450	2450	2585	2585
Q Overall width	1995	1995	1995	2165	2208
R Lateral fork adjustment(Outside of fork)	300-1835	300-1835	300-1835	340-1930	410-2140
S Tread(front)	1470	1470	1470	1600	1600
T Tread (rear)	1700	1700	1700	1700	1700
U Fork width	150	150	150	170	175
V Inside turning	200	200	200	200	200
W Outside turning radius	3250	3300	3370	3700	3900
X Min. intersecting aisle	2960	3000	3040	3310	3540
Y Tilting angles(forward-backward)	6° - 12°	6° - 12°	6° - 12°	6° - 12°	6° - 12°

HELI products and specifications are subject to improvement and change without notice.

HELI MANUFACTURER : ANHUI HELI CO., LTD.
DISTRIBUTOR : ANHUI HELI MACHINERY IMP.& EXP.CO.,LTD.

SOLD BY:

TEL: (0086) 551-3639468, 3632133, 3648005
P.C: 230022
E-mail: heli_jck@heliforklift.com

FAX: (0086) 551-3639966
Add: 15,Wangjiang West Road, Hefei, China
Web site: <http://www.helimach.com>

A-1-0704