

Group 13, Electrical System

CLARK

Description of Errorcodes (3):

Error number	Reason	Ignition is ON	Ignition is OFF	Ignition is switched from IFF of On	Keyswitch is turned into Start Position	Condition for testing	Reset of Error	Reaction of System and Comment
011	Pin 11 (Rear Work Lamp) is shorten to ground or current overload or over-temperatur.	X				Rear Work Lamp is powered	Ignition is turned from OFF to ON Check cable harness for short clcut to 0V.	Rear Work Lamp will turned off immediately
019	Pin 19 (Stoplamp is shorten)is shorten to ground Or current overload or over-temperatur.	X				Stop Lamp is powered	Ignition is turned from OFF to ON Check cable harness for short clcut to 0V.	Stoplamp will turned off immediately
900	Error of The causing Pinnumber can't be determind.	X				Two or more Pins causing error	Ignition is turned from OFF to ON Check cable harness for short clcut to 0V.	The erroneous Pin will NOT turned off. Only the current limitation of the FET works. This error can happen if more than one short circuits appear. Call the Maintainance Staff a.s.a.p. to Prevent damage of Pod or Truck.
404	Pod	X				Head Lamp Left is powered	Ignition is turned from OFF to ON Check cable harness for short circuit to 0V.	It will be checked continously while Ignition is on. If the error is not reset, Call the Maintainance Staff a.s.a.p. to prevent damage of Pod or Truck.

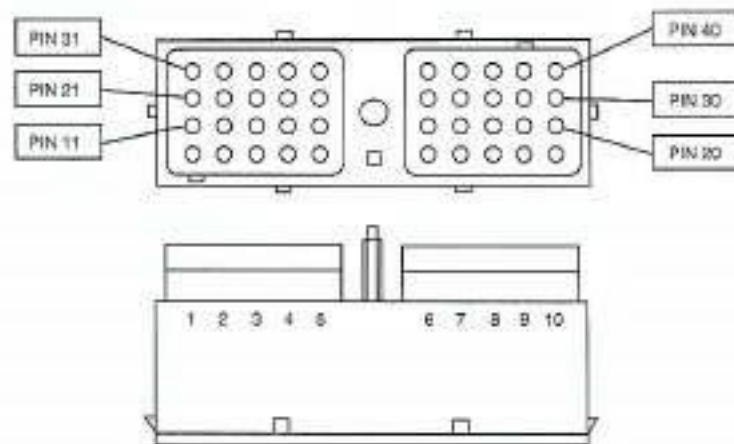
Description of Errorcodes (2):

Error number	Reason	Ignition is ON	Ignition is OFF	Ignition is switched from IFF of On	Keyswitch is turned into Start Position	Condition for testing	Reset of Error	Reaction of System and Comment
033	Pin 33 (Startrelay) is shorten to Power(+12V)	X				Starter Motor is starting	Ignition is turned from OFF to ON Check cable harness for short circuit to +12V and check the Start Relay.	Preheat relay will not turned on immediately
038	Pin 38 (Preheatrelay) is shorten to Power(+12V)	X				Glowplug is powered	Ignition is turned from OFF to ON Check cable harness for short circuit to +12V and check the Preheat Relay	Preheat relay will not turned on immediately
030	Pin 30(Headlamp Right) is shorten to ground Or current overload or over-temperatur.	X				Head Lamp Right is powered	Ignition is turned from OFF to ON. Check cable harness for short circuit to 0V.	Headlamp Right will turned off immediately
021	Pin 21(Headlamp Right) is shorten to ground Or current overload or over-temperatur.	X				Head Lamp Left is powered	Ignition is turned from OFF to ON Check cable harness for short circuit to 0V.	Headlamp Left will turned off immediately
012	Pin 12(Engine shutdown) is shorten to ground Or current overload or over-temperatur.	X				Ignition Highside is powered	Ignition is turned from OFF to ON Check cable harness for check the Engine shutdown Relay.	Ignition(E.shutdown relay) will turned off immediately(This causes the engine to stop)

Description of Errorcodes (1):

Error number	Reason	Ignition is ON	Ignition is OFF	Ignition is switched from IFF of On	Keyswitch is turned into Start Position	Condition for testing	Reset of Error	Reaction of System and Comment
014	Pin 14 (Direction forward) is open wire.	X	X	X	X	Parkingbrake is not applied and Direction is Neutral	Ignition off Check the mainconnector and cable harness for bad connection.	Error checking is continuously during ignition on and will be displayed immediately. If this error is happened at the key is off. The ignition will not be turned on, through the key is turned on. The ignition will not be turned off if the engine already run.
005	Pin 5 (direction reverse) is open wire	X	X	X	X	Parkingbrake is not applied and Direction is Neutral	Ignition off Check the mainconnector and cable harness for bad connection	Error checking is continuously during ignition on and will be displayed immediately. If this error is happened at the key is off. The ignition will not be turned on, though the key is turned on. The ignition will not be turned off if the engine already run.
018	Pin 18(Fuel sensor) or Pin 27(Gas/LPG) is open wire or short circuit.			X		Fuel is not LPG	Ignition off Check the Mainconnector and cable harness for bad connection.	If Gas or Diesel is selected, the Fuel Sensor must be +12V or 0V. If LPG is selected the Fuel must be +12V or 0V.
025	Pin 25(Horn) is shorten to Power(+12V)	X	X			Horn is on	Ignition is turned from OFF to ON Check cable harness for short circuit to +12V.	Horn will turned off immediately
029	Pin 29 (Hazardlight) is shorten to ground Or current overload or over-temperatur	X				Hazard Light is powered	Ignition is turned from OFF to ON Check cable harness for short circuit to 0V.	Hazardlight will turned off immediately
020	Pin 20(barkuplight) is shorten to ground Or current overload or over-temperatur.	X				Backup Alarm is powered Ignition is turned from OFF to ON Check cable harness for short circuit to 0V.	Ignition is turned from OFF to ON Check cable harness for short circuit to 0V.	Backup Alarm will turned off immediately.

Connector Terminal Arrangement



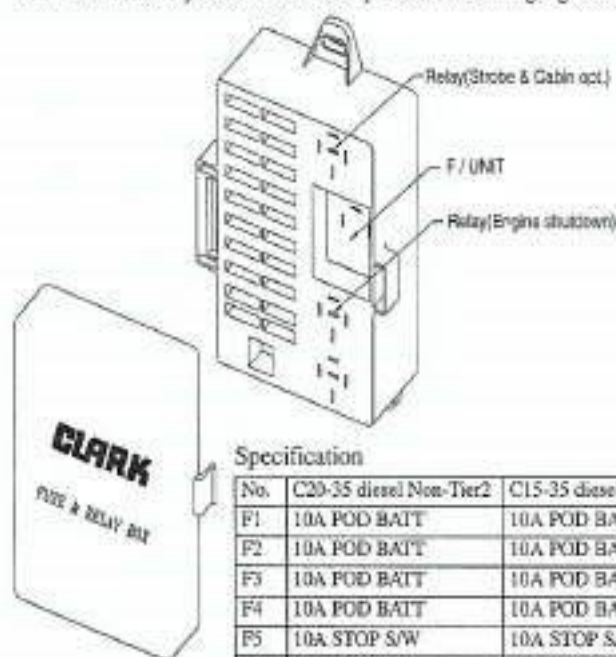
Pin No	Wire Color	Remark	Pin No	Wire Color	Remark
1	LW	485+	21	RG	Head & Tail & Lic RH
2	LB	485-	22	WB	Charger
3	GY	T/Sig LH	23	G	P/Brake Switch
4	GR	T/Sig RH	24	R	IG
5	LW	REV	25	G	Horn Switch
6	-	-	27	YG	Gas/LPG Switch(GAS/LPG Only)
7	-	-	28	-	-
8	GB	Seat Switch	28	-	-
9	YW	E/Oil Pressure	30	RB	Head & Tail LH
10	YG	T/Oil Temp	31	R	B+
11	RY	Rear Work	32	R	B+
12	W	Engine Shutdown	33	RB	Start Relay
13	L	Stop Switch	34	-	-
14	LR	FWD	35	B	GND
15	RW	Start	36	B	GND
16	GR	Engine check	37	-	-
17	YR	Engine Coolant Temp	38	*RG	*Glow Plug(DSL Only)
18	YL	Fuel Sender	39	R	B+
19	RL	Stop Light	40	R	B+
20	LW	Backup Alarm & Light			

General Electrical Parts

Fuse / Relay Box

Function

This functions to prohibit electrical parts from damaging due to over-current.



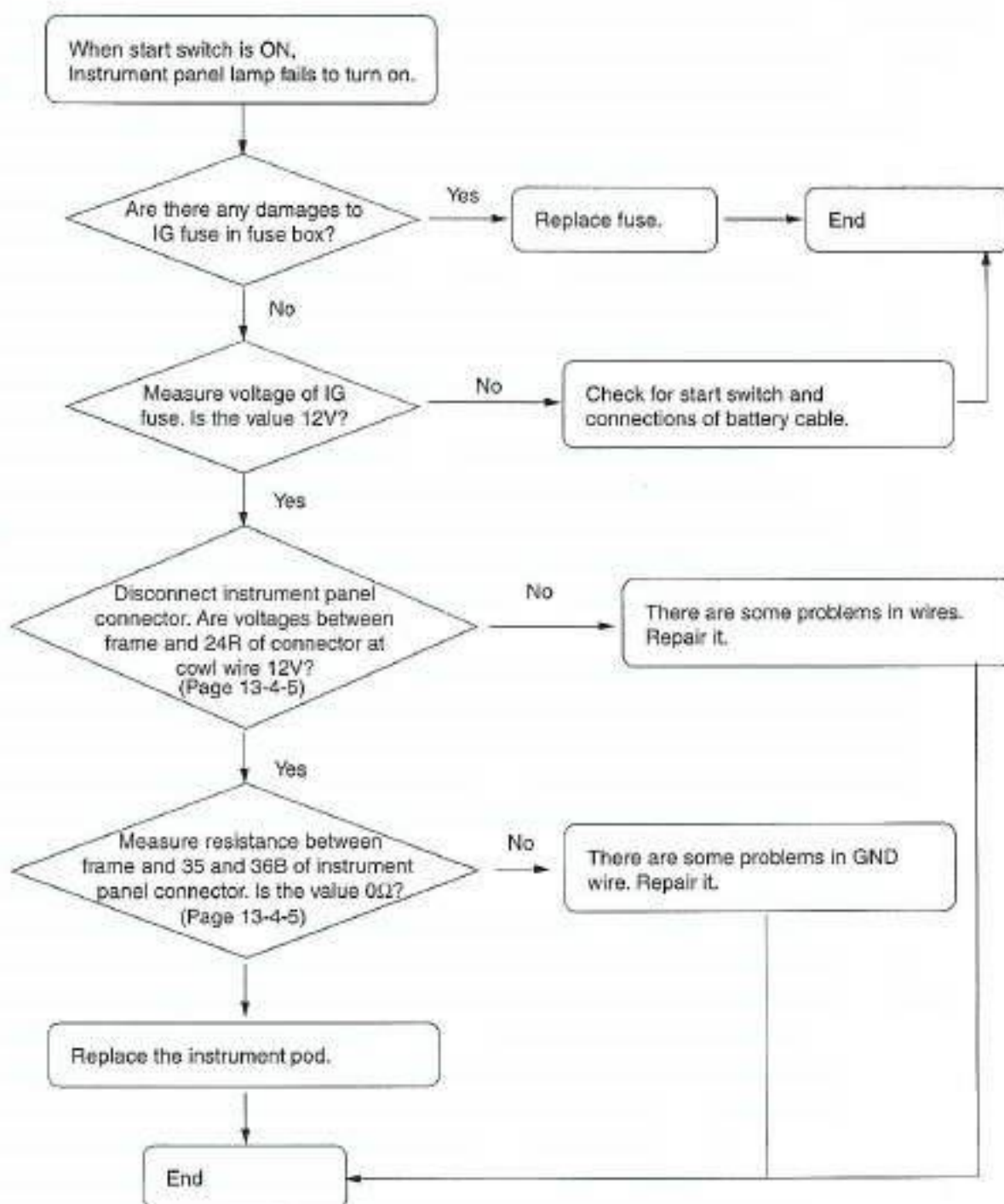
Specification

No.	C20-35 diesel Non-Tier2	C15-35 diesel Tier2	C15-35 GAS & LPG Non-Tier2	C15-35 LPG Tier2
F1	10A POD BATT	10A POD BATT	10A POD BATT	20A POD BATT
F2	10A POD BATT	10A POD BATT	10A POD BATT	20A POD BATT
F3	10A POD BATT	10A POD BATT	10A POD BATT	10A T/SIGNAL
F4	10A POD BATT	10A POD BATT	10A POD BATT	10A HORN
F5	10A STOP S/W	10A STOP S/W	10A STOP S/W	20A SECM POWER
F6	10A T/SIGNAL	10A T/SIGNAL	10A T/SIGNAL	20A SECM DIST
F7	15A STOP MOTOR	10A HORN	10A HORN (C15-20s) 5A PUSH BUTTON (C20-35)	20A SECM OPT1
F8	10A ROOM LAMP	10A ROOM LAMP	10A ROOM LAMP	20A SECM OPT2
F9	10A IG	30A SOL RELAY	10A PARK S/W (C15-20s) 10A IG (C20-35)	15A FUEL SHUTOFF
F10	10A PARK S/W	10A PARK S/W	10A FUEL SHUTOFF (C15-20s) 10A PARK S/W (C20-35)	10A ROOM LAMP/PARK S/W/ STOP SW
F11	10A HORN	15A IG	15A IG (C15-20s) 10A HORN (C20-35)	10A IG
F12	10A DIR. S/W	10A DIR. S/W	10A DIR. S/W	10A DIR. S/W
F13	5A PUSH BUTTON	5A PUSH BUTTON	5A PUSH BUTTON (C15-20s) 10A FUEL SHUTOFF (C20-35)	5A PUSH BUTTON
F14	10A HEATER	15A OPTION	15A OPTION (C15-20s) 10A HEATER (C20-35)	15A OPTION
F15	15A WIPER	10A HEATER	10A HEATER (C15-20s) 15A WIPER (C20-35)	10A HEATER
F16	15A OPTION	15A WIPER	15A WIPER (C15-20s) 15A OPTION (C20-35)	15A WIPER

CAUTION

Use only fuse of standard capacity in accordance with specification.
Using of fuse exceeding capacity cause severe damages to electrical parts.

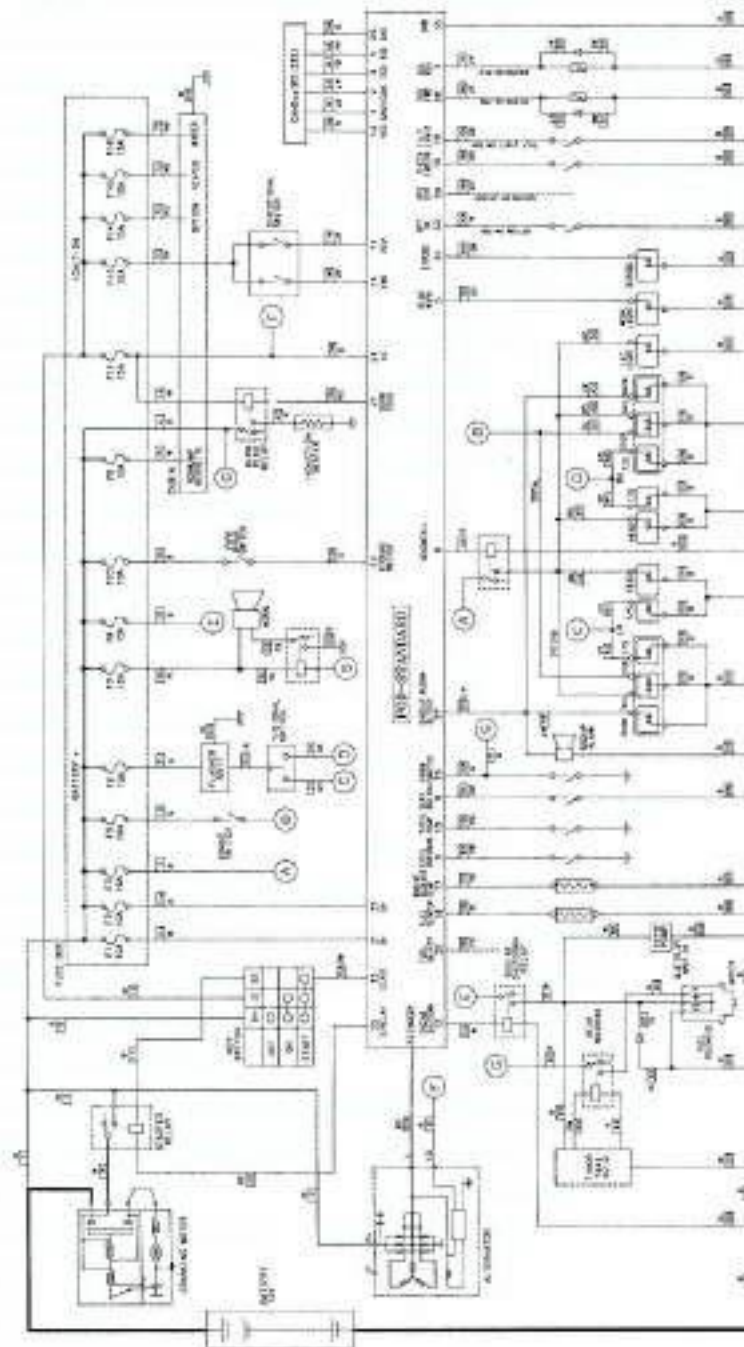
All of Instrument Pod Lamps Fails to Turn On



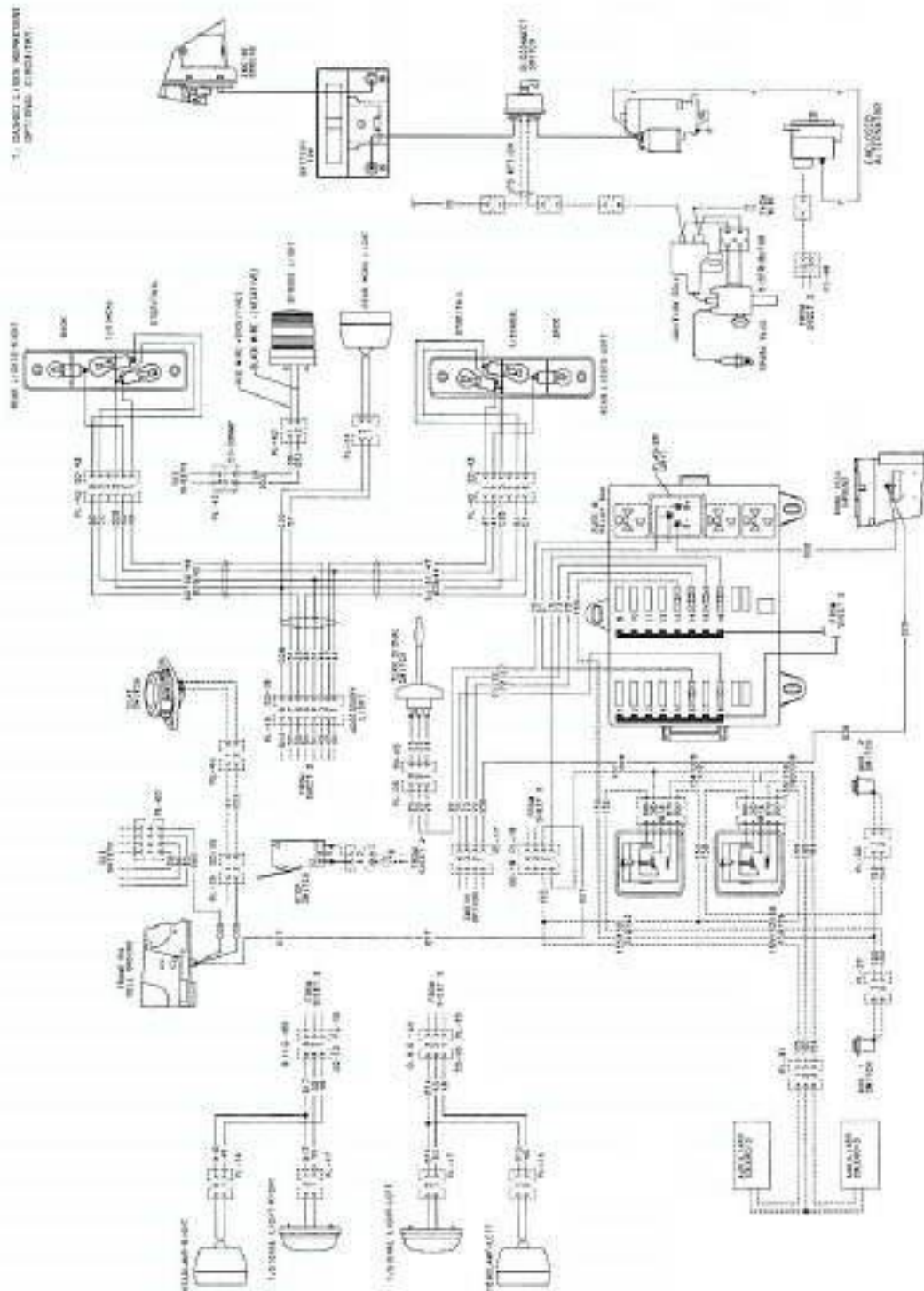
011 0050.2HR DIR,REV S/C	900 0101.1HR DOUBLE ERROR
014 0001.0HR DIR,FW D S/C	033 0015.4HR ST,REL AY S/C
012 0030.5HR E,SHUT COILS/C	005 0011.2HR R,WORK LAMP S/C
028 0005.0HR FWD SOL S/C	007 0008.6HR REV SOL S/C

ERROR CODE	ERROR MESSAGE	DESCRIPTION	WORK NO.
016	DRL FWD S/C	DIRECTION FWD LMS S/C	14
011	DRL REV S/C	DIRECTION REVERSE LMS S/C	11
018	FUEL SENDBR S/C	FUEL SENDBR S/C	18-DST, 17-DAS/LPD
025	HORN RELAY S/C	HORN RELAY COIL S/C	25
027	BUFF ALARM S/C	BACK UP ALARM LMS S/C	27
033	ST RELAY S/C	START RELAY COIL LMS S/C	33
021	GLON 2ND S/C	FRESHATER RELAY COIL LMS S/C	21
006	HEAD LAMP S/C	HEAD LAMP S/C	6
012	R,SHUT COIL S/C	ENGINE SHUT DOWN RELAY COIL S/C	12
005	R,WORK LAMP S/C	R,WORK LAMP S/C	5
028	DR,FW D SOL S/C	DIRECTION FORWARD SOL,OUT S/C	28
007	DR,REV SOL S/C	DIRECTION REVERSE SOL,OUT S/C	7
900	DOUBLE ERROR	ERROR OF THE CAUSING PIN NUMBER CAN'T BE DETERMIND	-
404	INTERNAL SHORT	INTERNAL SHORT	-

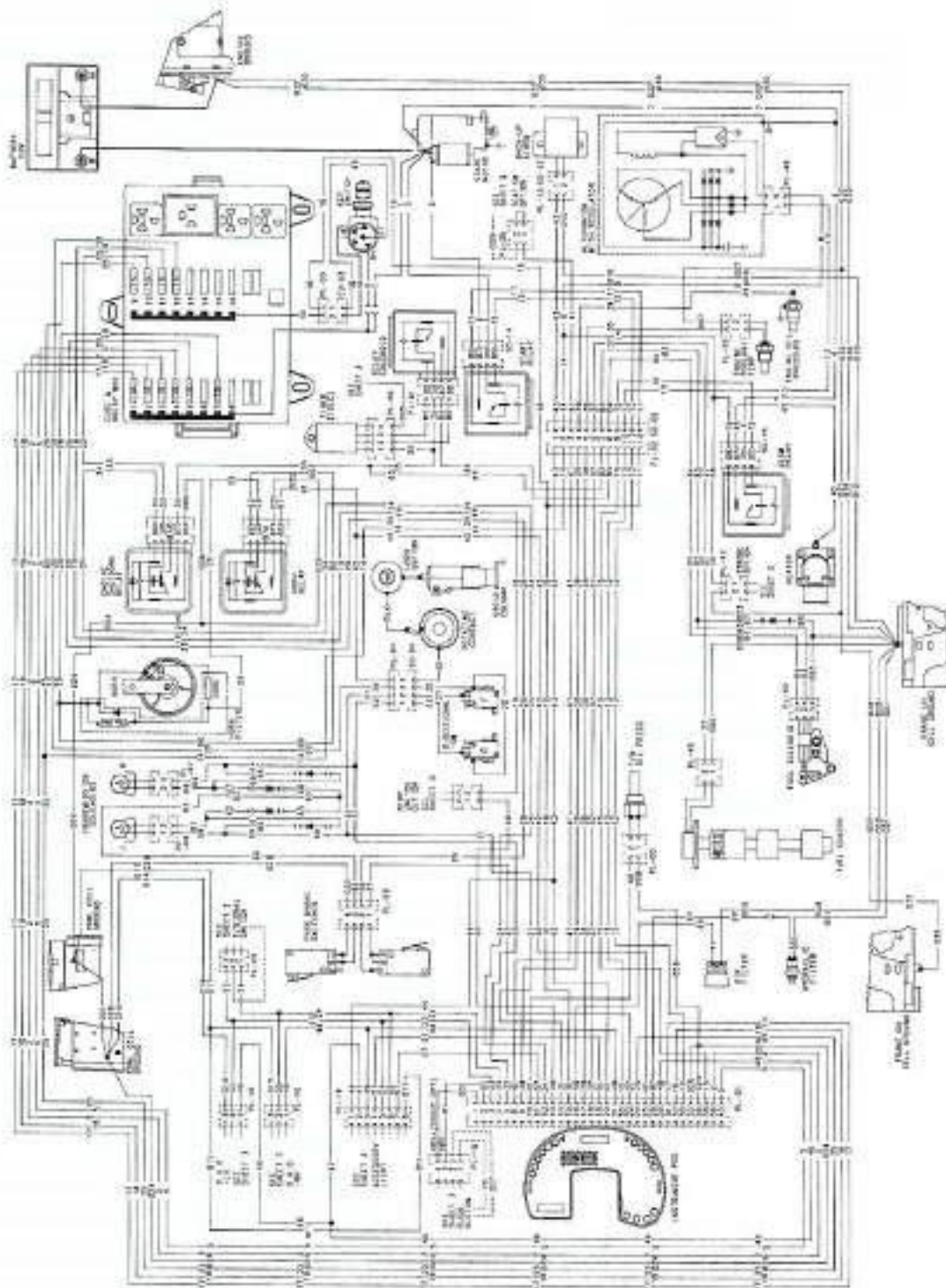
5.3 Error code

6. Electric wiring**6.1 C20-35DSL electric component****6.1.1 Wiring(IN-28029 1/3)**

Wiring(IN-28029 3/3)



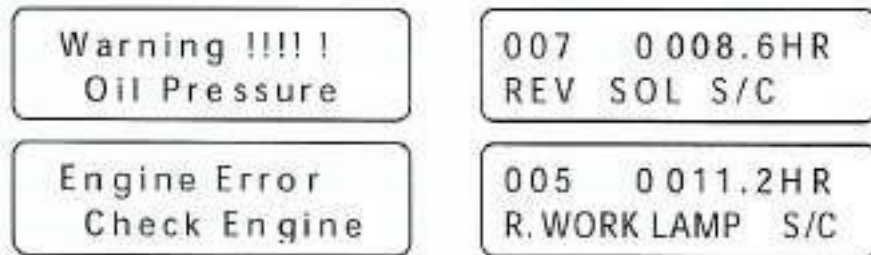
Wiring(IN-28029 2/3)



5. Fault diagnosis

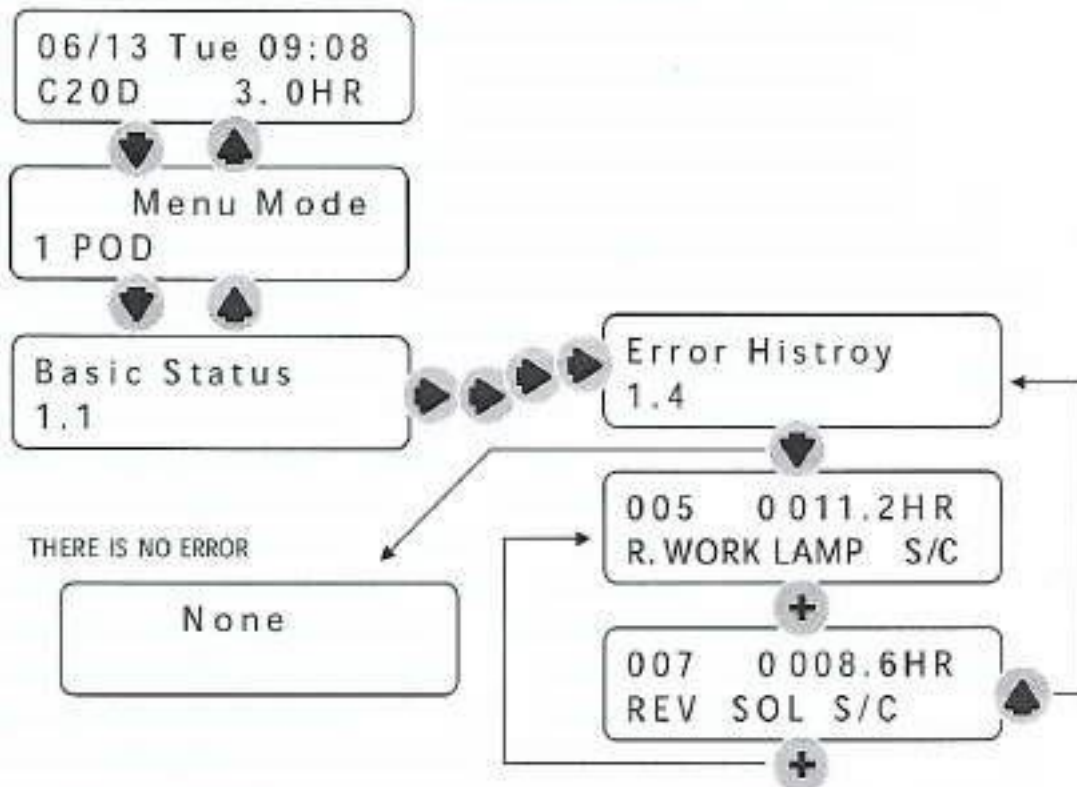
5.1 Self diagnostic function

Pod can display and warning the existing error on truck.



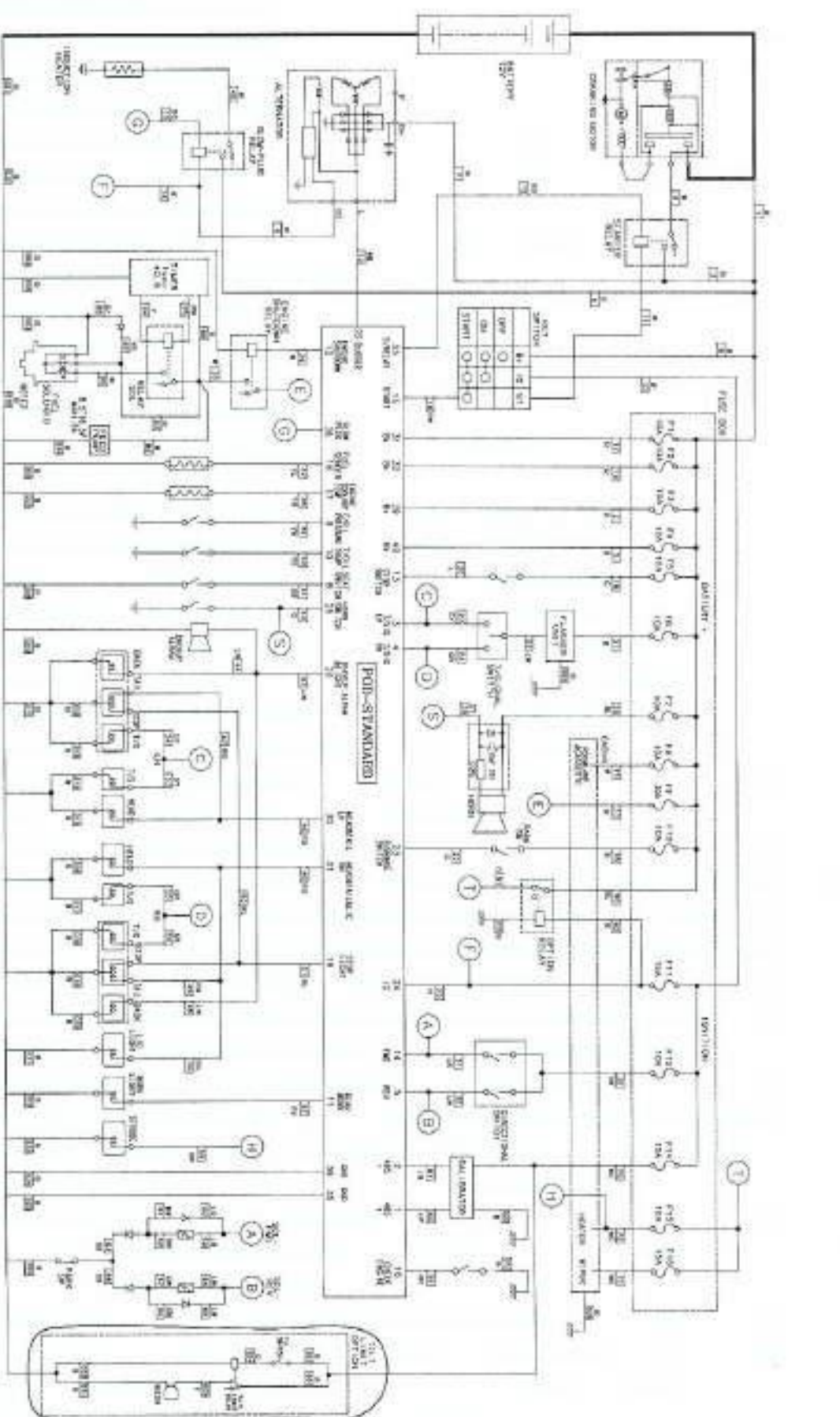
5.2 Management of fault history

Pod can store the latest 10 fault history. This history can be used to track the reason of fault.



THIS DRAWING IS THE PROPERTY OF THE FBI LABORATORY. IT IS TO BE USED ONLY FOR THE PURPOSES FOR WHICH IT WAS PREPARED. IT IS NOT TO BE REPRODUCED OR TRANSMITTED IN ANY FORM OR BY ANY MEANS, ELECTRONIC OR MECHANICAL, INCLUDING PHOTOCOPYING, RECORDING, OR BY ANY INFORMATION STORAGE AND RETRIEVAL SYSTEM, WITHOUT THE WRITTEN PERMISSION OF THE FBI LABORATORY.

1. MADE BY AN ENGINEER, FCC LABORATORY, INC.
- 1.1970) IN ACCORD WITH COMMENT 450 DC 50 MASSCO.
2. BOARD SHOULD BE CONNECT TO DELTAV(-) DIRECTLY
3. TEST POINT : 106012-54702
- 1.68012(1) : 106011-72010



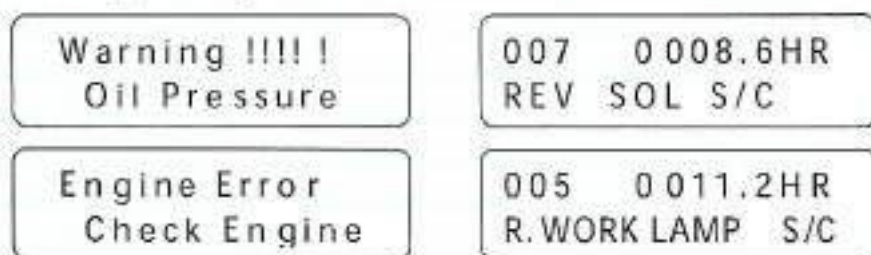
NO.	DESCRIPTION	QTY.	REF. NO.
1	RESISTOR	1	1000V
2	RESISTOR	1	1500V
3	RESISTOR	1	500V
4	CAPACITOR	1	100pF
5	CAPACITOR	1	10nF
6	CAPACITOR	1	100nF
7	DIODE	1	1N4001
8	IC	1	741
9	IC	1	742
10	IC	1	743
11	IC	1	744
12	IC	1	745
13	IC	1	746
14	IC	1	747
15	IC	1	748
16	IC	1	749
17	IC	1	750
18	IC	1	751
19	IC	1	752
20	IC	1	753
21	IC	1	754
22	IC	1	755
23	IC	1	756
24	IC	1	757
25	IC	1	758
26	IC	1	759
27	IC	1	760
28	IC	1	761
29	IC	1	762
30	IC	1	763
31	IC	1	764
32	IC	1	765
33	IC	1	766
34	IC	1	767
35	IC	1	768
36	IC	1	769
37	IC	1	770
38	IC	1	771
39	IC	1	772
40	IC	1	773
41	IC	1	774
42	IC	1	775
43	IC	1	776
44	IC	1	777
45	IC	1	778
46	IC	1	779
47	IC	1	780
48	IC	1	781
49	IC	1	782
50	IC	1	783
51	IC	1	784
52	IC	1	785
53	IC	1	786
54	IC	1	787
55	IC	1	788
56	IC	1	789
57	IC	1	790
58	IC	1	791
59	IC	1	792
60	IC	1	793
61	IC	1	794
62	IC	1	795
63	IC	1	796
64	IC	1	797
65	IC	1	798
66	IC	1	799
67	IC	1	800

NO.	DESCRIPTION	QTY.	REF. NO.
1	RESISTOR	1	1000V
2	RESISTOR	1	1500V
3	RESISTOR	1	500V
4	CAPACITOR	1	100pF
5	CAPACITOR	1	10nF
6	CAPACITOR	1	100nF
7	DIODE	1	1N4001
8	IC	1	741
9	IC	1	742
10	IC	1	743
11	IC	1	744
12	IC	1	745
13	IC	1	746
14	IC	1	747
15	IC	1	748
16	IC	1	749
17	IC	1	750
18	IC	1	751
19	IC	1	752
20	IC	1	753
21	IC	1	754
22	IC	1	755
23	IC	1	756
24	IC	1	757
25	IC	1	758
26	IC	1	759
27	IC	1	760
28	IC	1	761
29	IC	1	762
30	IC	1	763
31	IC	1	764
32	IC	1	765
33	IC	1	766
34	IC	1	767
35	IC	1	768
36	IC	1	769
37	IC	1	770
38	IC	1	771
39	IC	1	772
40	IC	1	773
41	IC	1	774
42	IC	1	775
43	IC	1	776
44	IC	1	777
45	IC	1	778
46	IC	1	779
47	IC	1	780
48	IC	1	781
49	IC	1	782
50	IC	1	783
51	IC	1	784
52	IC	1	785
53	IC	1	786
54	IC	1	787
55	IC	1	788
56	IC	1	789
57	IC	1	790
58	IC	1	791
59	IC	1	792
60	IC	1	793
61	IC	1	794
62	IC	1	795
63	IC	1	796
64	IC	1	797
65	IC	1	798
66	IC	1	799
67	IC	1	800

5. Fault diagnosis

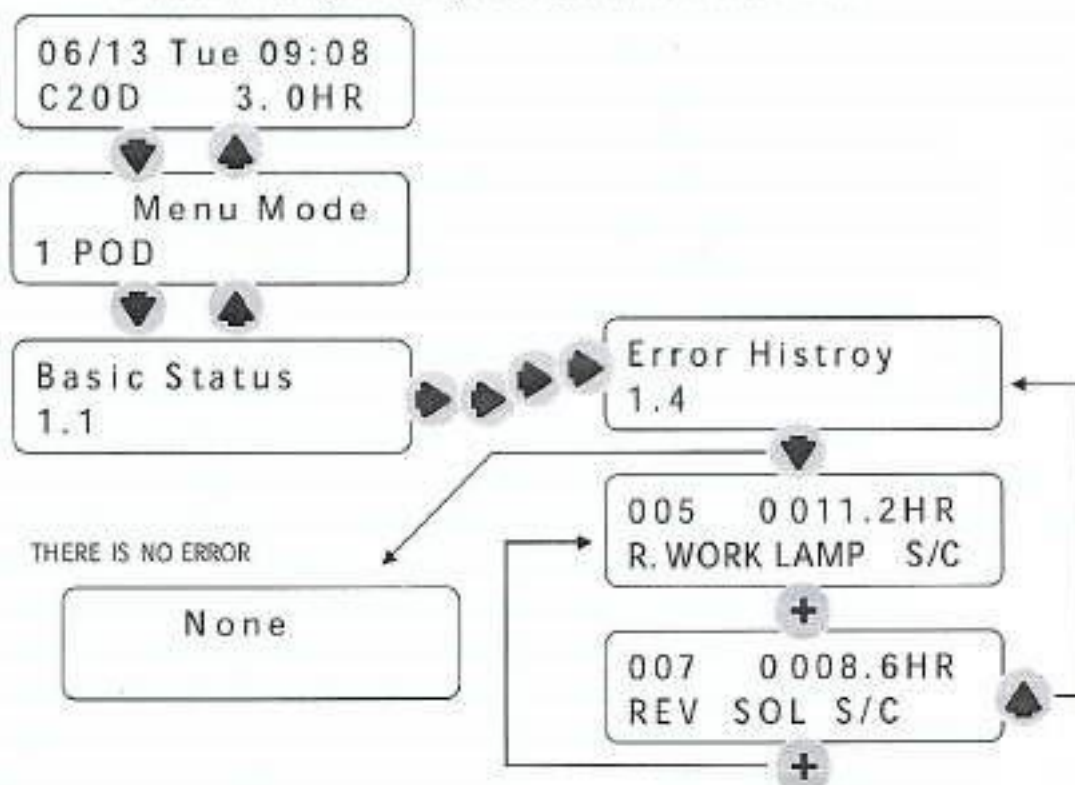
5.1 Self diagnostic function

Pod can display and warning the existing error on truck.



5.2 Management of fault history

Pod can store the latest 10 fault history. This history can be used to track the reason of fault.



5.3 Error code

ERROR CODE	ERROR MESSAGE	DESCRIPTION	W RNO NO.
014	DIR.FWD S/C	DIRECTION FWD LINE S/C	14
011	DIR.REV S/C	DIRECTION REVERSE LINE S/C	11
018	FUEL SENDER S/C	FUEL SENDER S/C	18-D&L, 27-GAS/LPG
025	HORN RELAY S/C	HORN RELAY COIL S/C	25
027	B.U.P ALARM S/C	BACK UP ALARM LINE S/C	27
033	ST.RELAY S/C	START RELAY COIL LINE S/C	33
021	GLOW PLUG S/C	PREHEATER RELAY COIL LINE S/C	21
006	HEAD LAMP S/C	HEAD LAMP S/C	6
012	E.SHUT COIL S/C	ENGINE SHUT DOWN RELAY COIL S/C	12
005	R.WORK LAMP S/C	REAR WORK LAMP S/C	5
028	DIR.FWD SOL S/C	DIRECTION FORWARD SOL OUT S/C	28
007	DIR.REV SOL S/C	DIRECTION REVERSE SOL OUT S/C	7
900	DOUBLE ERROR	ERROR OF THE CAUSING PN NUMBER CAN'T BE DETERMINED	-
404	INTERNAL SHORT	INTERNAL SHORT	-

028 0005.0HR
FWD SOL S/C

007 0008.6HR
REV SOL S/C

012 0030.5HR
E.SHUT COILS/C

005 0011.2HR
R.WORK LAMP S/C

014 0001.0HR
DIR.FW D S/C

033 0015.4HR
ST.RELAY S/C

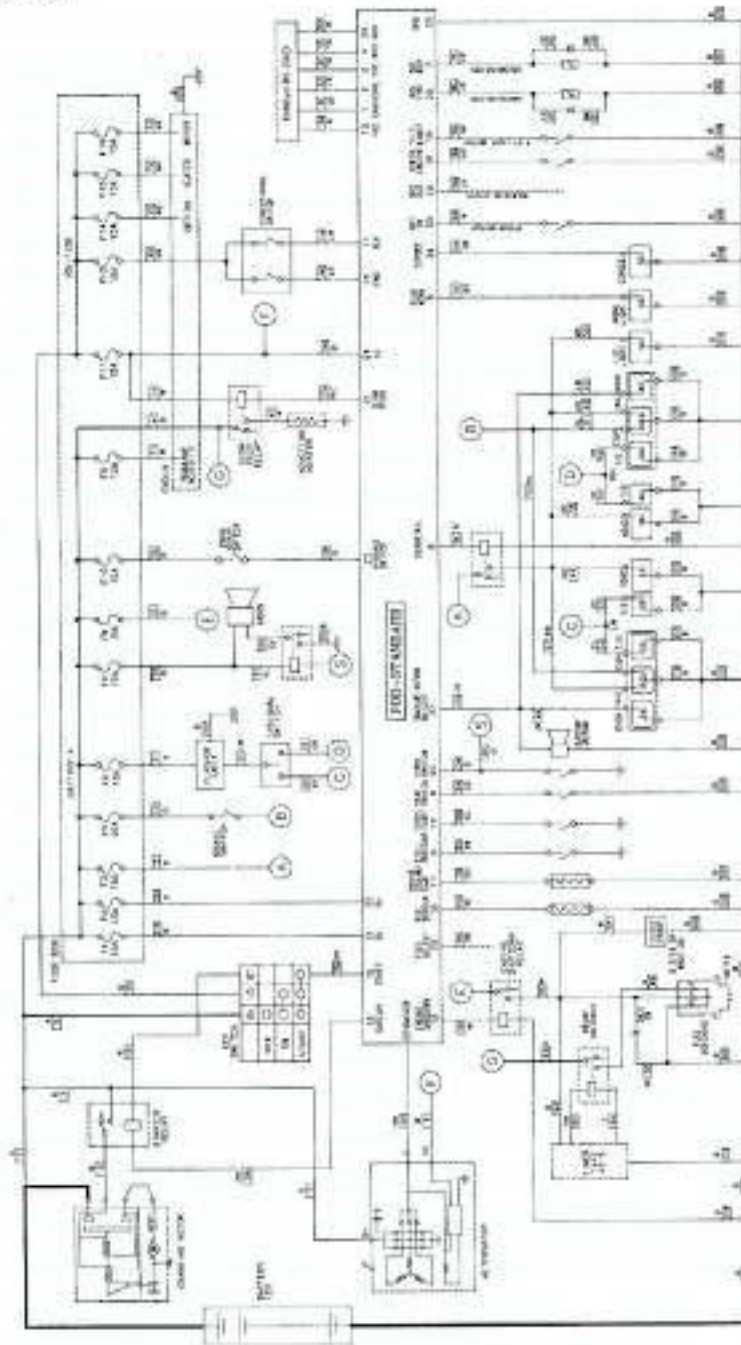
011 0050.2HR
DIR.REV S/C

900 0101.1HR
DOUBLE ERROR

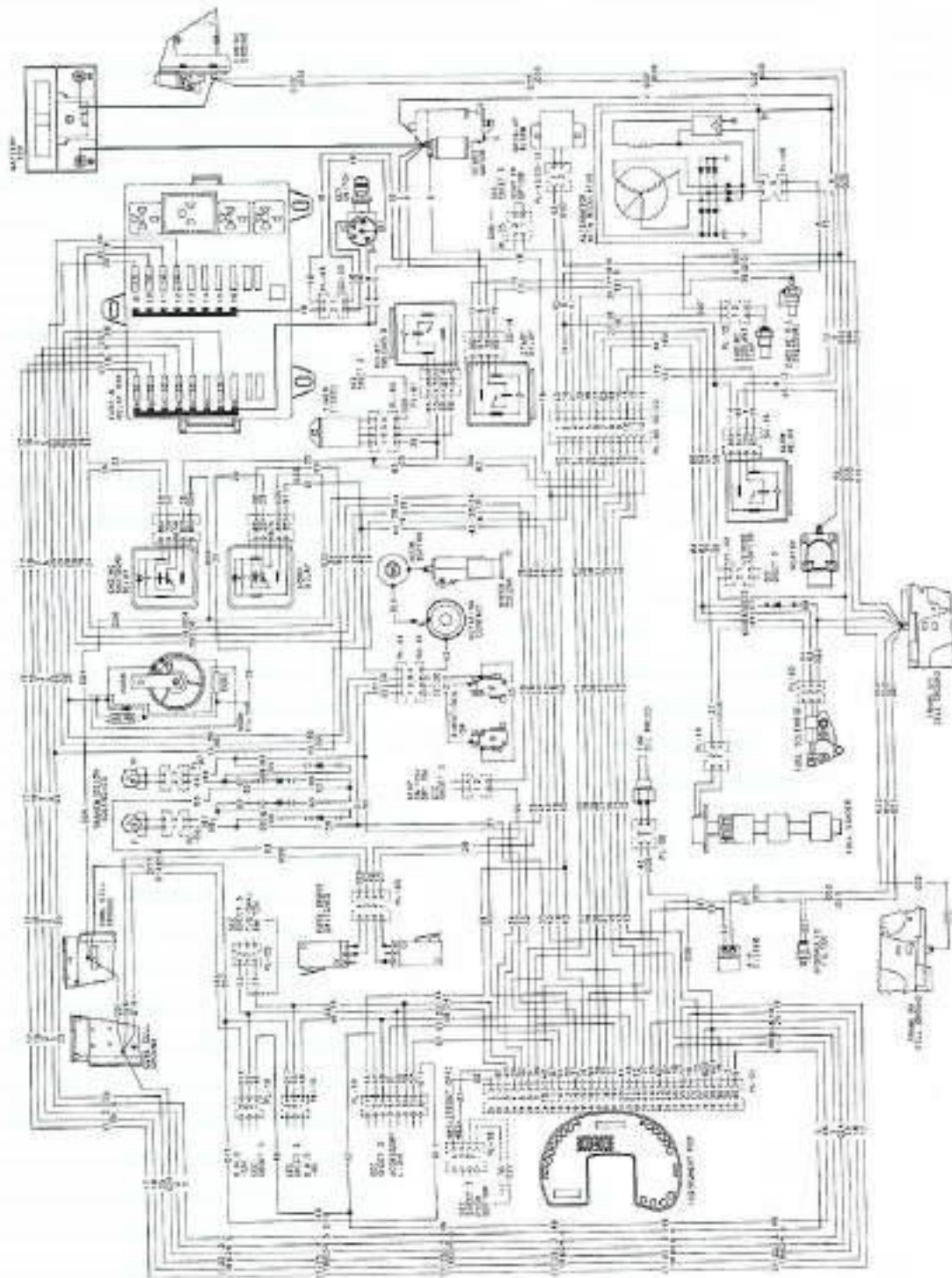
6. Electric wiring

6.1 C20-35DSL electric component

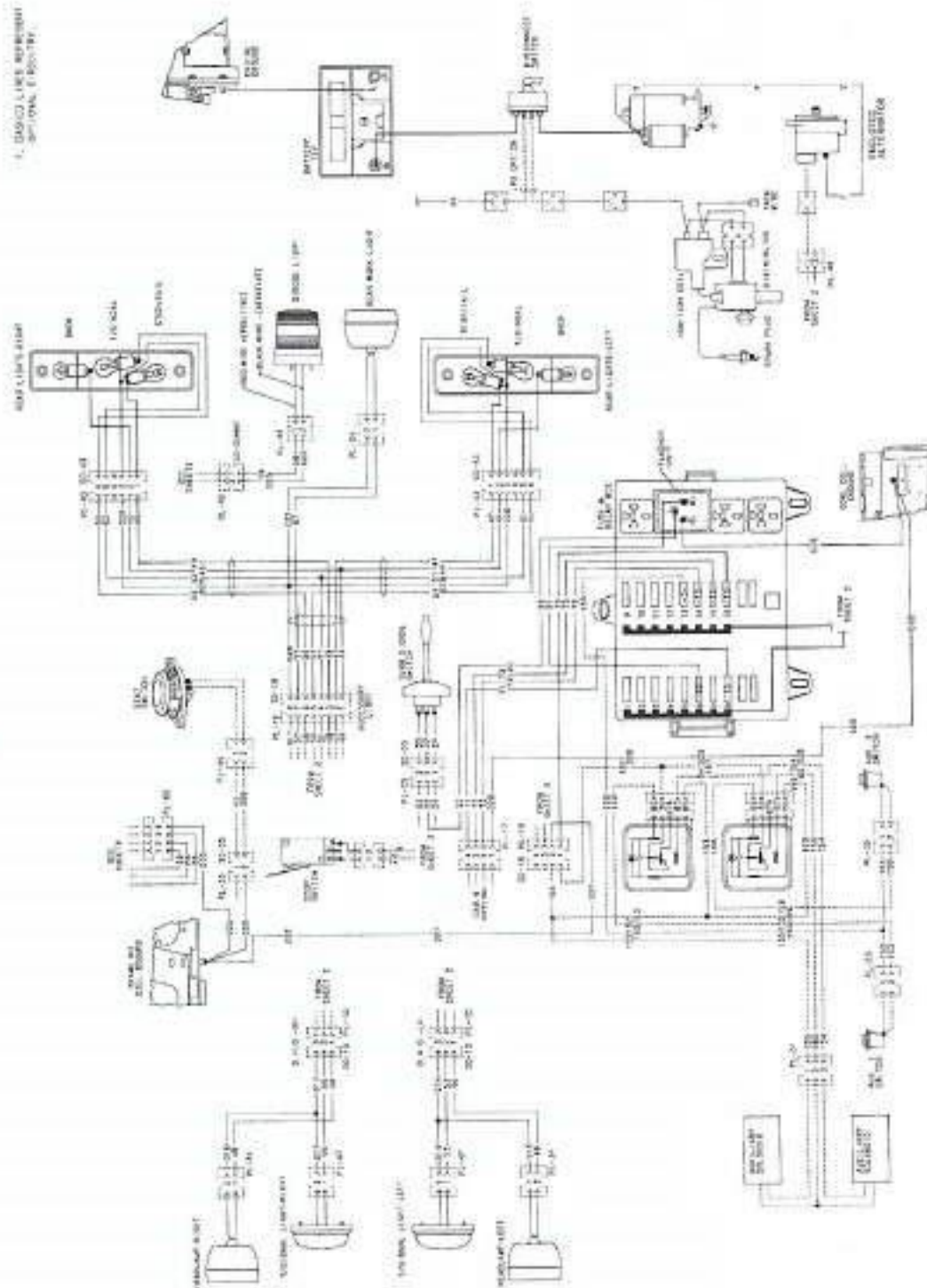
6.1.1 Wiring(IN-28029 1/3)



Wiring(IN-28029 2/3)



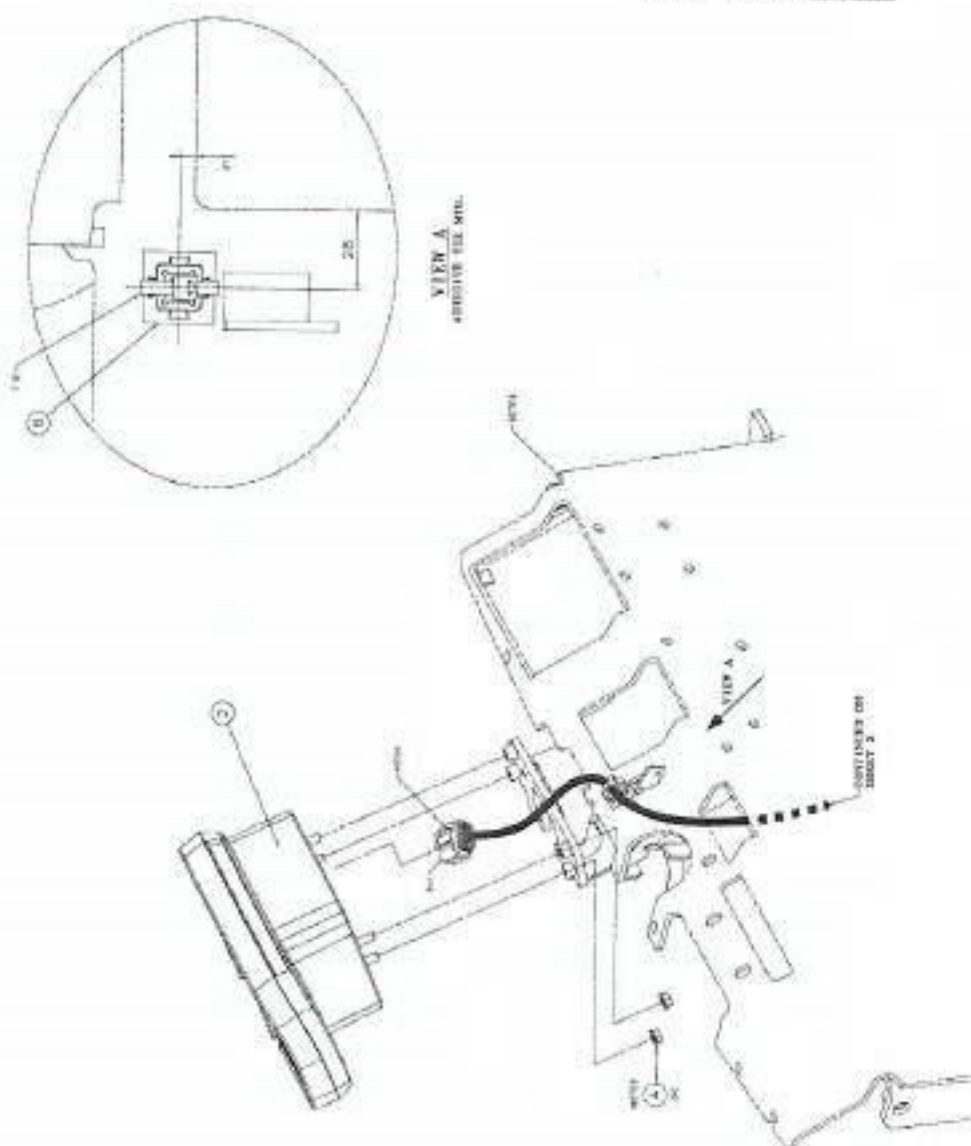
Wiring(IN-28029 3/3)



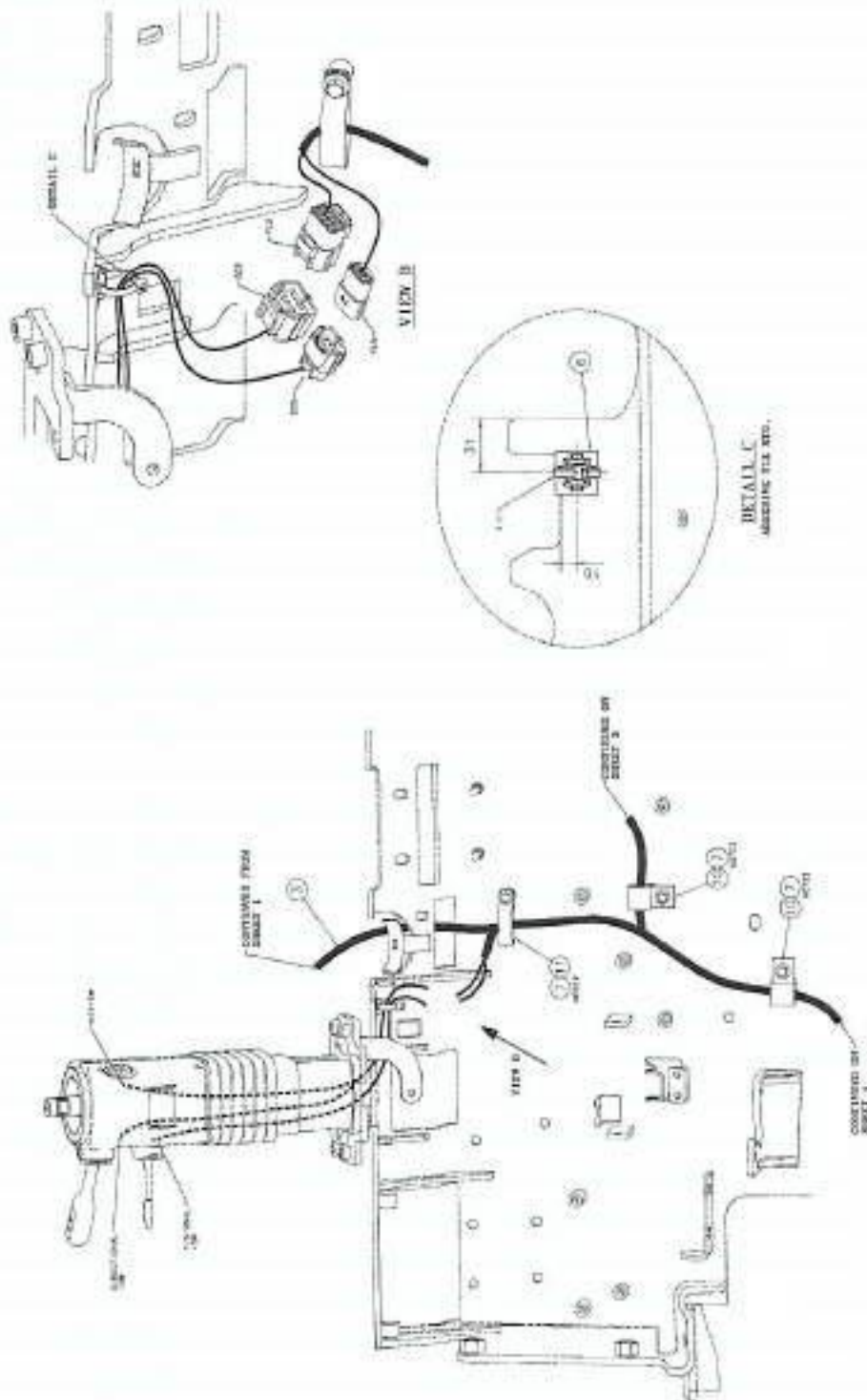
6.1.2 Assembling Drawing(SI-46848 1/6)

- 1. DIMENSIONS IN INCHES
- 2. DIMENSIONS IN MILLIMETERS
- 3. DIMENSIONS IN METERS
- 4. DIMENSIONS IN FEET
- 5. DIMENSIONS IN KILOMETERS
- 6. DIMENSIONS IN CENTIMETERS
- 7. DIMENSIONS IN DECIMETERS

NO.	DESCRIPTION	QTY.	UNIT
1	REPLACEMENT PART	1	EA
2	CLAMP - BALL BEARING	1	EA
3	CLAMP - BALL BEARING	1	EA
4	CLAMP - BALL BEARING	1	EA
5	CLAMP - BALL BEARING	1	EA
6	CLAMP - BALL BEARING	1	EA
7	CLAMP - BALL BEARING	1	EA
8	CLAMP - BALL BEARING	1	EA
9	CLAMP - BALL BEARING	1	EA
10	CLAMP - BALL BEARING	1	EA
11	CLAMP - BALL BEARING	1	EA
12	CLAMP - BALL BEARING	1	EA
13	CLAMP - BALL BEARING	1	EA
14	CLAMP - BALL BEARING	1	EA
15	CLAMP - BALL BEARING	1	EA
16	CLAMP - BALL BEARING	1	EA
17	CLAMP - BALL BEARING	1	EA
18	CLAMP - BALL BEARING	1	EA
19	CLAMP - BALL BEARING	1	EA
20	CLAMP - BALL BEARING	1	EA
21	CLAMP - BALL BEARING	1	EA
22	CLAMP - BALL BEARING	1	EA
23	CLAMP - BALL BEARING	1	EA
24	CLAMP - BALL BEARING	1	EA
25	CLAMP - BALL BEARING	1	EA
26	CLAMP - BALL BEARING	1	EA
27	CLAMP - BALL BEARING	1	EA
28	CLAMP - BALL BEARING	1	EA
29	CLAMP - BALL BEARING	1	EA
30	CLAMP - BALL BEARING	1	EA
31	CLAMP - BALL BEARING	1	EA
32	CLAMP - BALL BEARING	1	EA
33	CLAMP - BALL BEARING	1	EA
34	CLAMP - BALL BEARING	1	EA
35	CLAMP - BALL BEARING	1	EA
36	CLAMP - BALL BEARING	1	EA
37	CLAMP - BALL BEARING	1	EA
38	CLAMP - BALL BEARING	1	EA
39	CLAMP - BALL BEARING	1	EA
40	CLAMP - BALL BEARING	1	EA
41	CLAMP - BALL BEARING	1	EA
42	CLAMP - BALL BEARING	1	EA
43	CLAMP - BALL BEARING	1	EA
44	CLAMP - BALL BEARING	1	EA
45	CLAMP - BALL BEARING	1	EA
46	CLAMP - BALL BEARING	1	EA
47	CLAMP - BALL BEARING	1	EA
48	CLAMP - BALL BEARING	1	EA
49	CLAMP - BALL BEARING	1	EA
50	CLAMP - BALL BEARING	1	EA
51	CLAMP - BALL BEARING	1	EA
52	CLAMP - BALL BEARING	1	EA
53	CLAMP - BALL BEARING	1	EA
54	CLAMP - BALL BEARING	1	EA
55	CLAMP - BALL BEARING	1	EA
56	CLAMP - BALL BEARING	1	EA
57	CLAMP - BALL BEARING	1	EA
58	CLAMP - BALL BEARING	1	EA
59	CLAMP - BALL BEARING	1	EA
60	CLAMP - BALL BEARING	1	EA
61	CLAMP - BALL BEARING	1	EA
62	CLAMP - BALL BEARING	1	EA
63	CLAMP - BALL BEARING	1	EA
64	CLAMP - BALL BEARING	1	EA
65	CLAMP - BALL BEARING	1	EA
66	CLAMP - BALL BEARING	1	EA
67	CLAMP - BALL BEARING	1	EA
68	CLAMP - BALL BEARING	1	EA
69	CLAMP - BALL BEARING	1	EA
70	CLAMP - BALL BEARING	1	EA
71	CLAMP - BALL BEARING	1	EA
72	CLAMP - BALL BEARING	1	EA
73	CLAMP - BALL BEARING	1	EA
74	CLAMP - BALL BEARING	1	EA
75	CLAMP - BALL BEARING	1	EA
76	CLAMP - BALL BEARING	1	EA
77	CLAMP - BALL BEARING	1	EA
78	CLAMP - BALL BEARING	1	EA
79	CLAMP - BALL BEARING	1	EA
80	CLAMP - BALL BEARING	1	EA
81	CLAMP - BALL BEARING	1	EA
82	CLAMP - BALL BEARING	1	EA
83	CLAMP - BALL BEARING	1	EA
84	CLAMP - BALL BEARING	1	EA
85	CLAMP - BALL BEARING	1	EA
86	CLAMP - BALL BEARING	1	EA
87	CLAMP - BALL BEARING	1	EA
88	CLAMP - BALL BEARING	1	EA
89	CLAMP - BALL BEARING	1	EA
90	CLAMP - BALL BEARING	1	EA
91	CLAMP - BALL BEARING	1	EA
92	CLAMP - BALL BEARING	1	EA
93	CLAMP - BALL BEARING	1	EA
94	CLAMP - BALL BEARING	1	EA
95	CLAMP - BALL BEARING	1	EA
96	CLAMP - BALL BEARING	1	EA
97	CLAMP - BALL BEARING	1	EA
98	CLAMP - BALL BEARING	1	EA
99	CLAMP - BALL BEARING	1	EA
100	CLAMP - BALL BEARING	1	EA



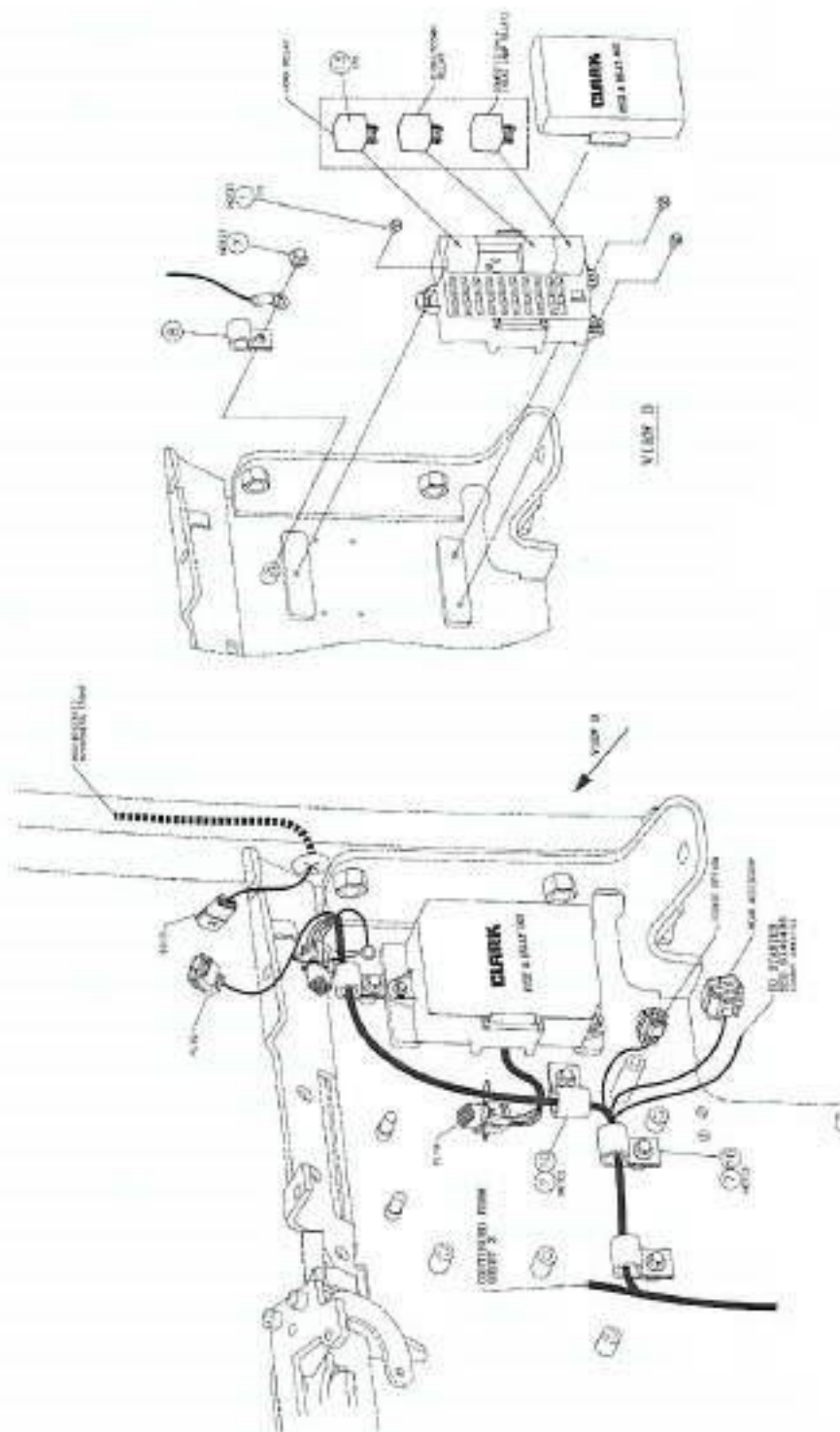
Assembling Drawing(SI-46848 2/6)



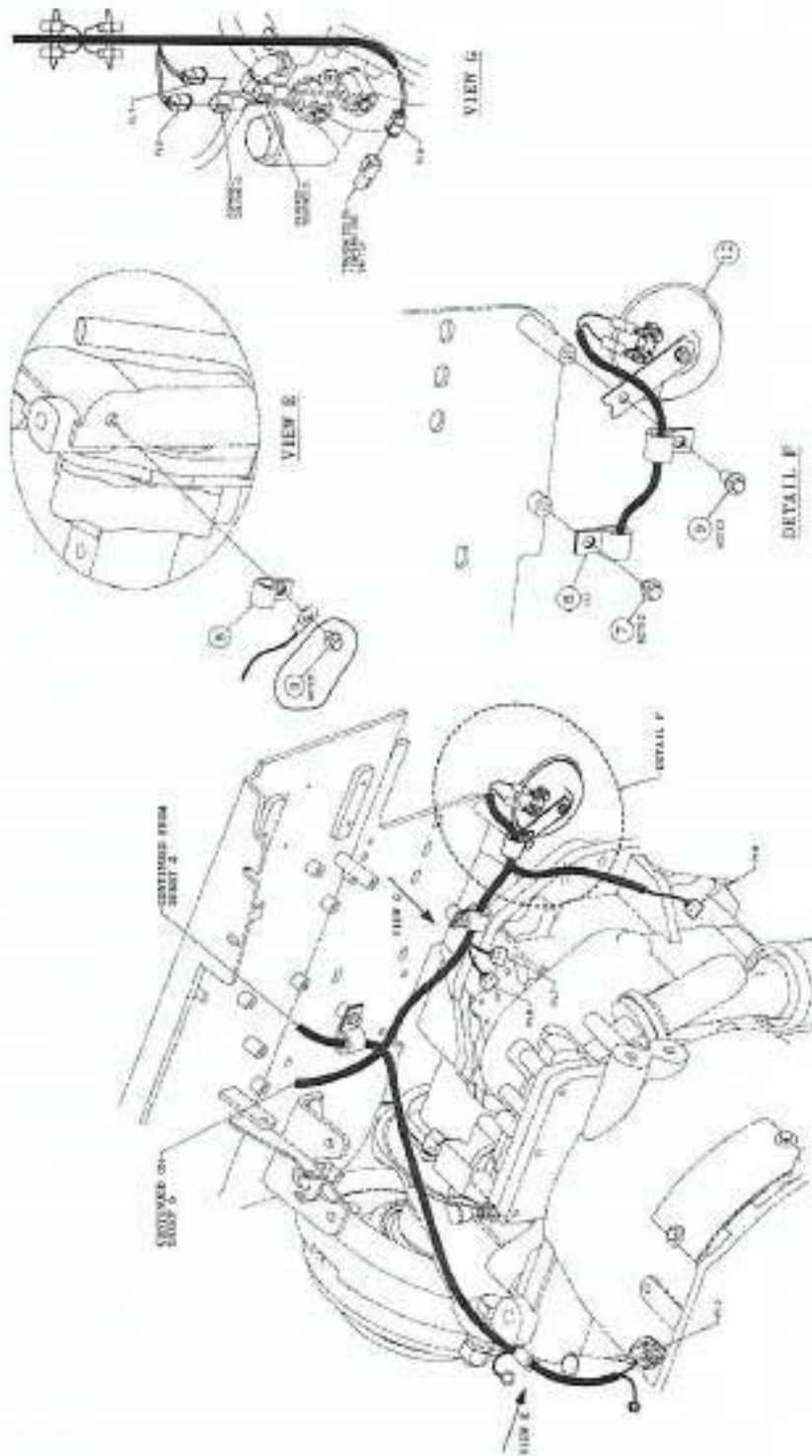
Group 13, Electrical System

CLARK

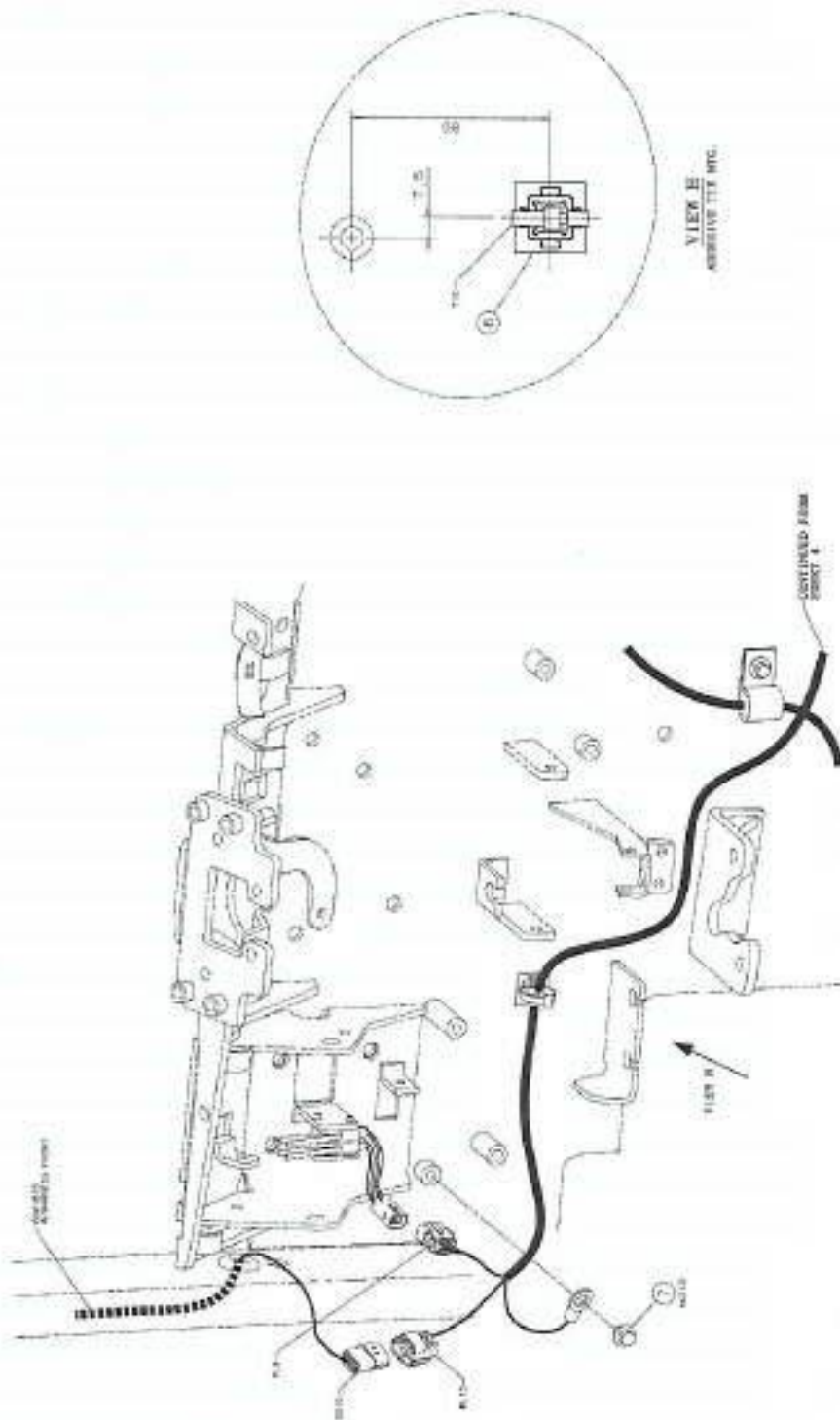
Assembling Drawing(SI-46848 3/6)



Assembling Drawing(SI-46848 4/6)



Assembling Drawing(SI-46848 5/6)



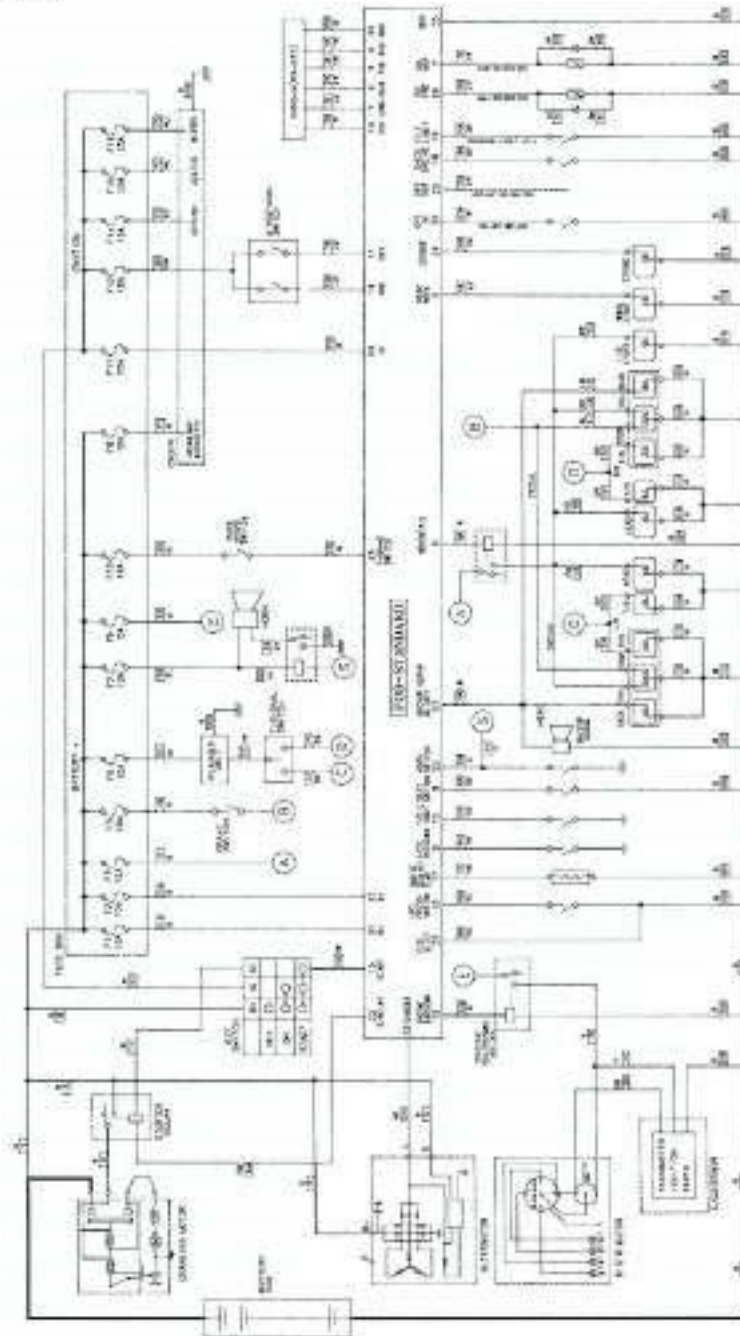
Assembling Drawing(SI-46848 6/6)

6.1.3 Wire harness(P/NO)

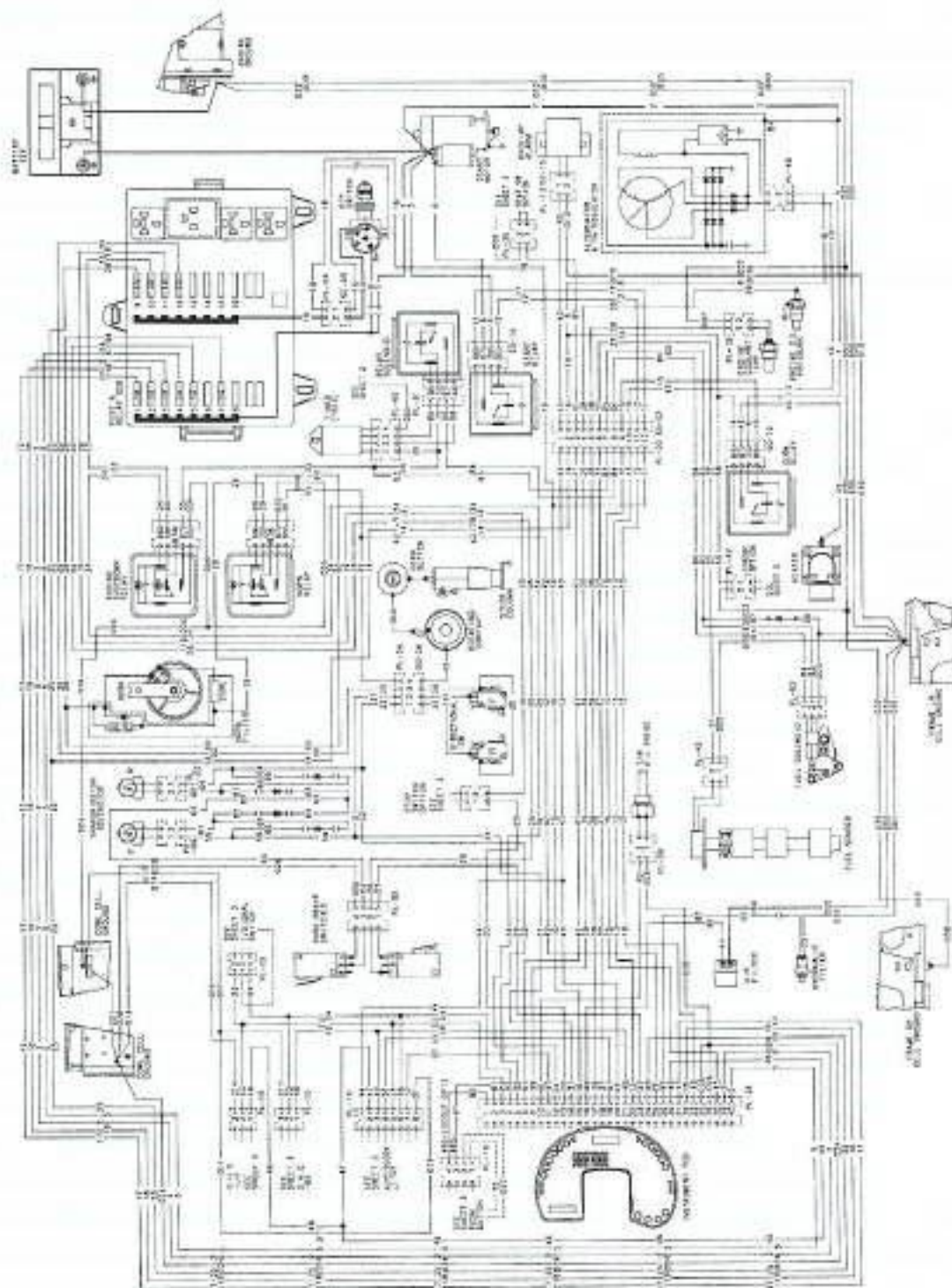
- 8048100 W/HARNESS-COWL-DSL
- 8040943 W/HARNESS-MAIN-DSL

6.2 C20-35 LPG Electrical components(TIER-0)

6.2.1 Wiring(IN-28030 1/3)



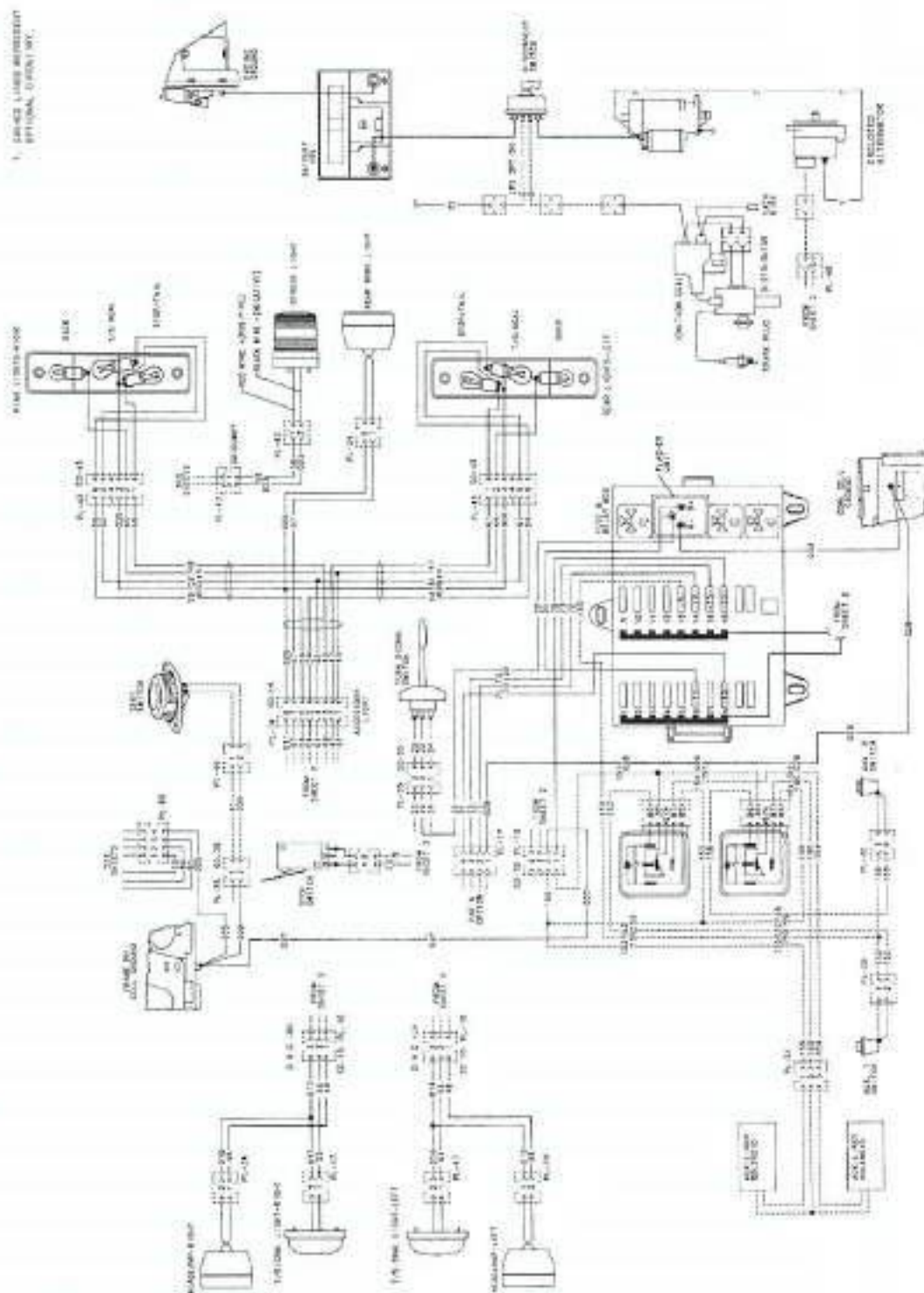
Wiring (IN-28030 2/3)



Group 13, Electrical System

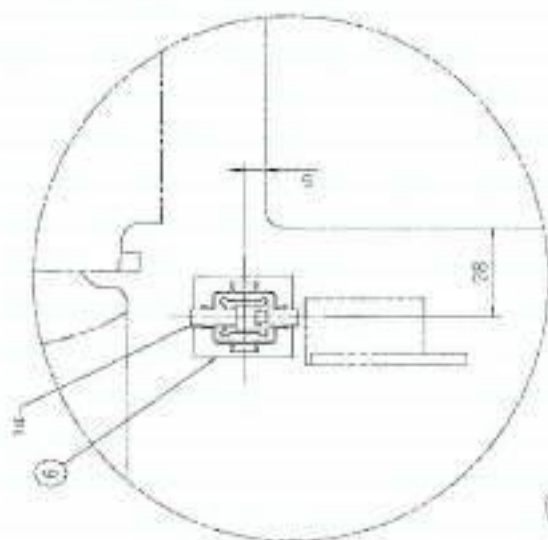
CLARK

Wiring(IN-28030 3/3)

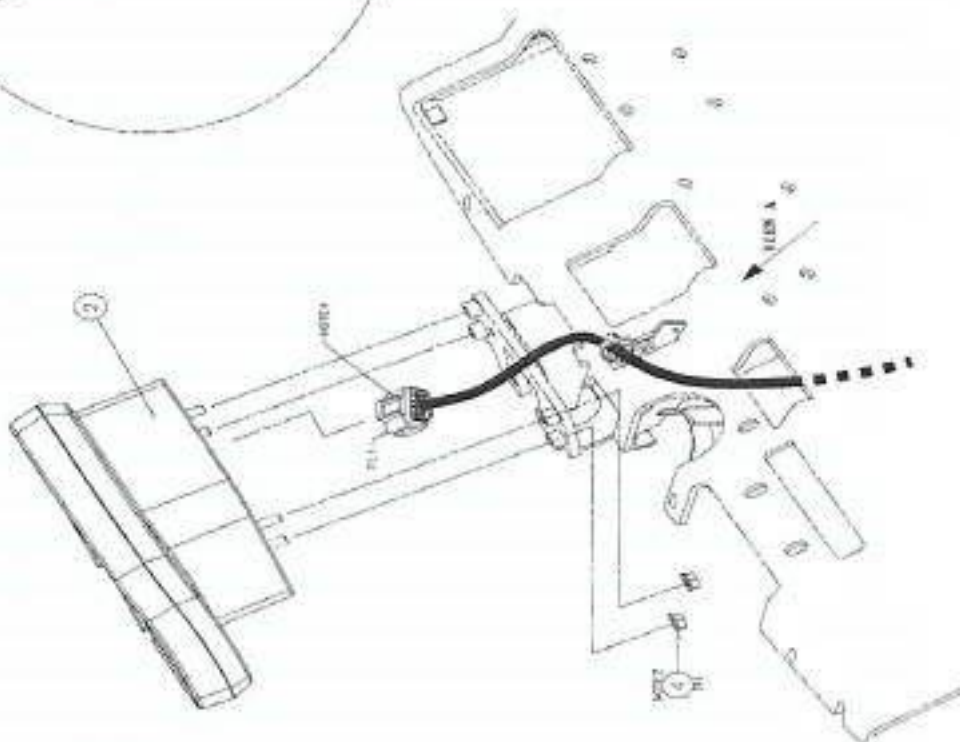


6.2.2 Assembling drawing(SI-45135 1/6)

1. TORQUE TO 7 - 8 N.M.
2. TORQUE TO 35 - 38 N.M.
3. TORQUE TO 60 - 65 N.M.
4. TORQUE JACOBS ON CONNECTOR TO 2-3 N.M.
DO NOT OVERTORQUE.

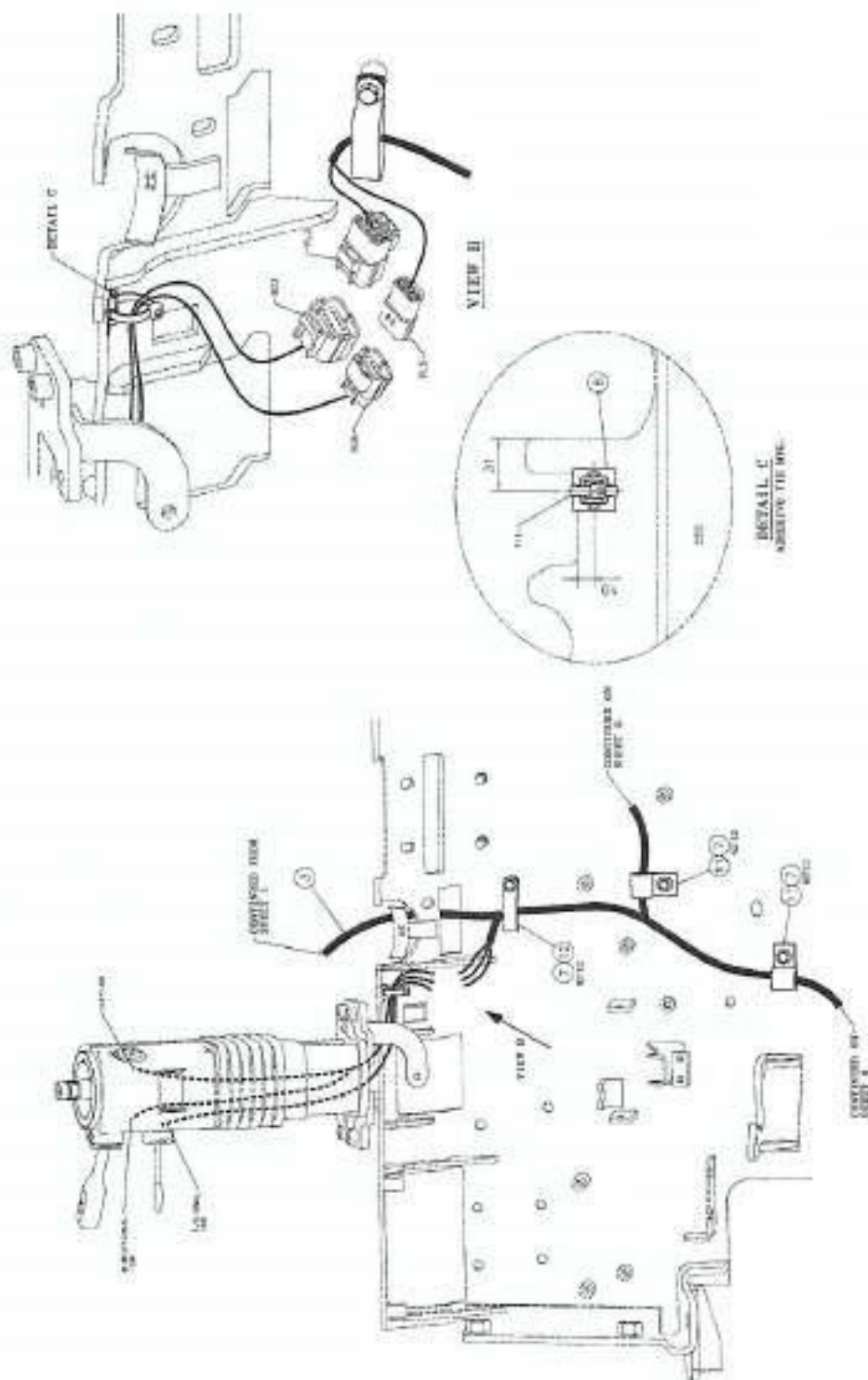


VIEW A
ADDRESS THE MFG.

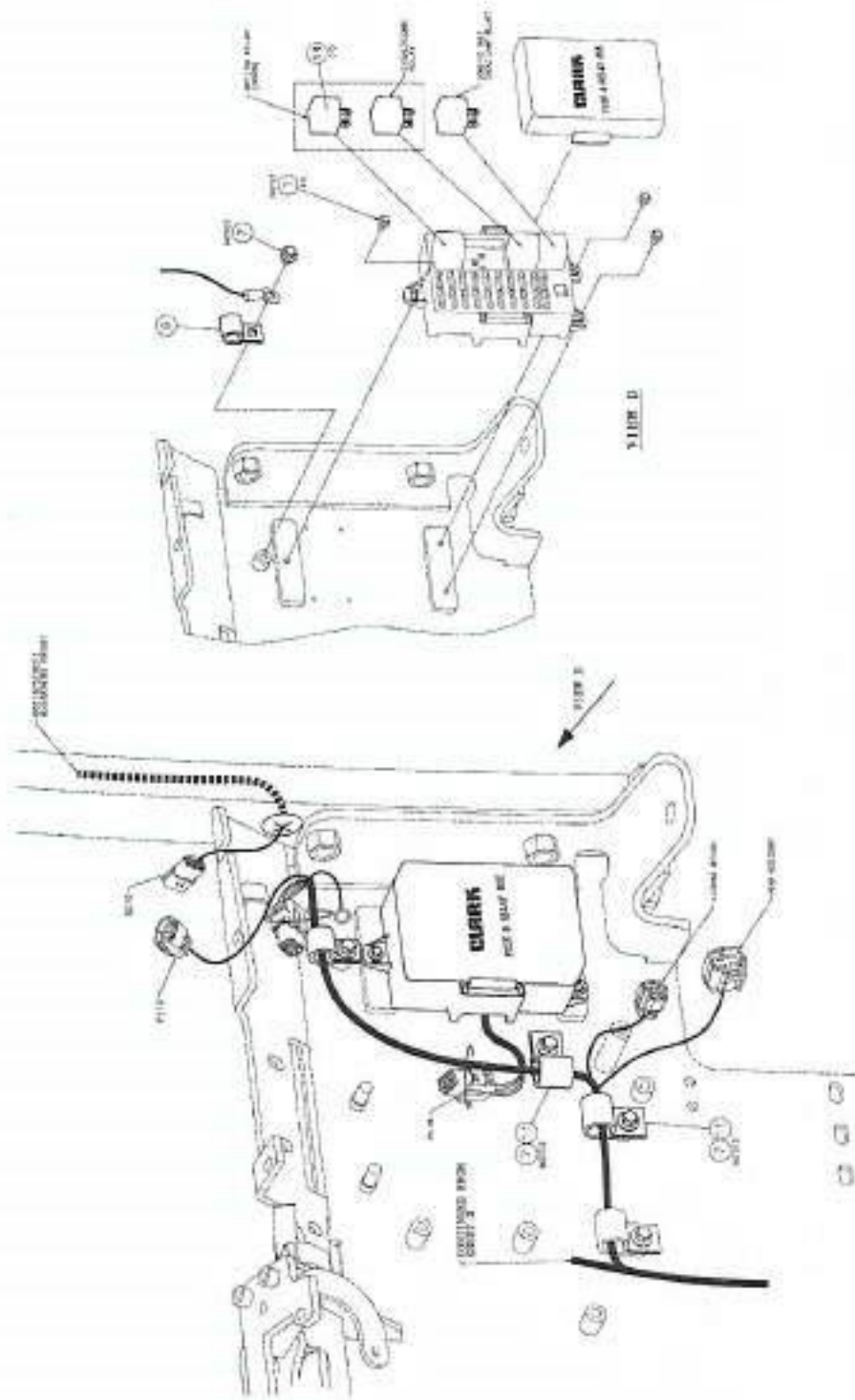


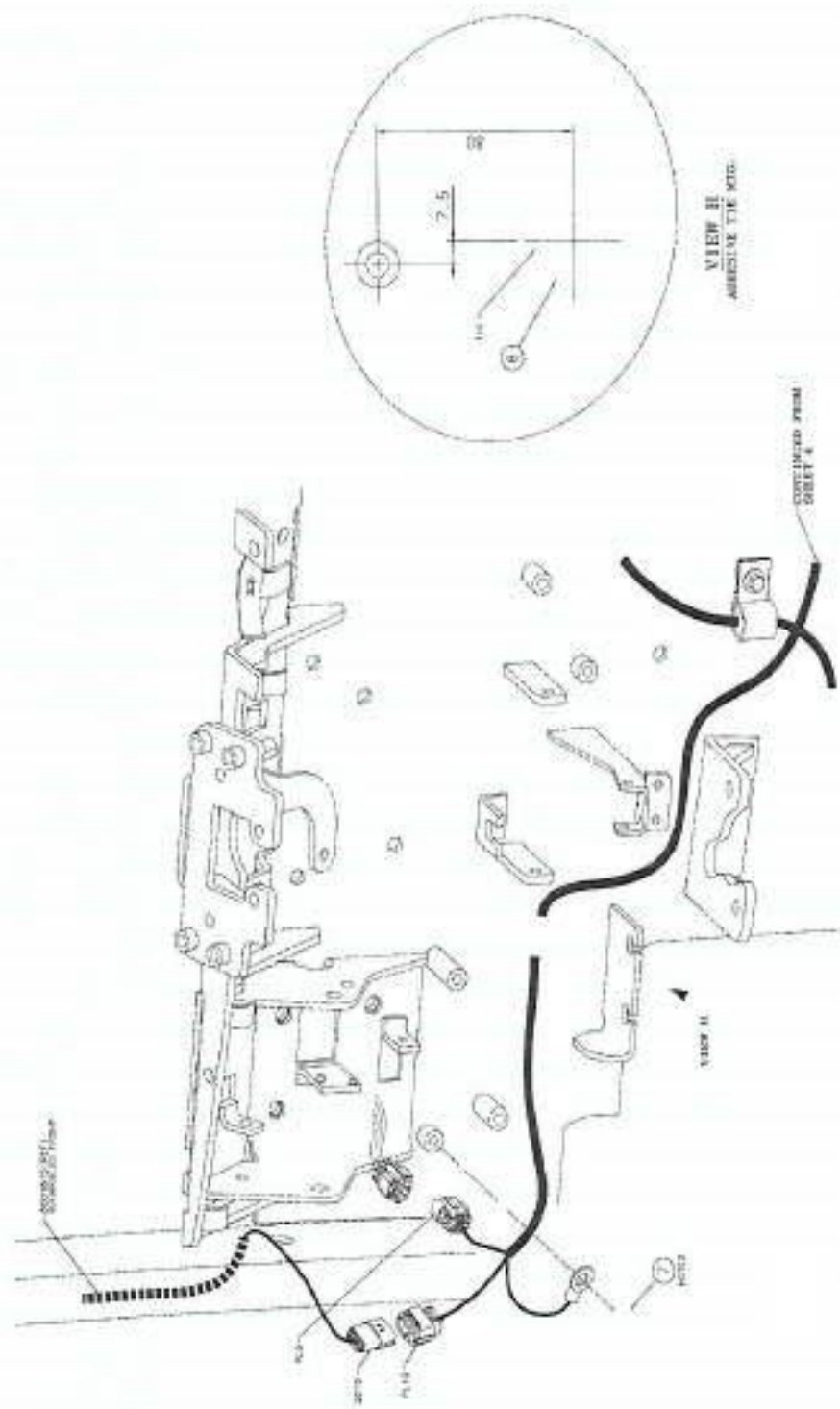
19	BUSSBAR	CONNECT	4
18	BUSSBAR	RELAY-3 RELAY	3
14	RELAY	RELAY-3 RELAY	1
13	SOLENOID	CLAMP - DIELECTRONIC	4
12	SOLENOID	CLAMP - DIELECTRONIC	4
11	SOLENOID	CLAMP - DIELECTRONIC	4
10	SOLENOID	CONNECTOR - 7, MAG2	2
9	SOLENOID	CONNECTOR - 7, MAG2	2
8	SOLENOID	CONNECTOR - 7, MAG2	2
7	SOLENOID	CONNECTOR - 7, MAG2	2
6	SOLENOID	CONNECTOR - 7, MAG2	2
5	SOLENOID	CONNECTOR - 7, MAG2	2
4	SOLENOID	CONNECTOR - 7, MAG2	2
3	SOLENOID	CONNECTOR - 7, MAG2	2
2	SOLENOID	CONNECTOR - 7, MAG2	2
1	SOLENOID	CONNECTOR - 7, MAG2	2
100	SOLENOID	CONNECTOR - 7, MAG2	2
101	SOLENOID	CONNECTOR - 7, MAG2	2
102	SOLENOID	CONNECTOR - 7, MAG2	2
103	SOLENOID	CONNECTOR - 7, MAG2	2
104	SOLENOID	CONNECTOR - 7, MAG2	2
105	SOLENOID	CONNECTOR - 7, MAG2	2
106	SOLENOID	CONNECTOR - 7, MAG2	2
107	SOLENOID	CONNECTOR - 7, MAG2	2
108	SOLENOID	CONNECTOR - 7, MAG2	2
109	SOLENOID	CONNECTOR - 7, MAG2	2
110	SOLENOID	CONNECTOR - 7, MAG2	2
111	SOLENOID	CONNECTOR - 7, MAG2	2
112	SOLENOID	CONNECTOR - 7, MAG2	2
113	SOLENOID	CONNECTOR - 7, MAG2	2
114	SOLENOID	CONNECTOR - 7, MAG2	2
115	SOLENOID	CONNECTOR - 7, MAG2	2
116	SOLENOID	CONNECTOR - 7, MAG2	2
117	SOLENOID	CONNECTOR - 7, MAG2	2
118	SOLENOID	CONNECTOR - 7, MAG2	2
119	SOLENOID	CONNECTOR - 7, MAG2	2
120	SOLENOID	CONNECTOR - 7, MAG2	2
121	SOLENOID	CONNECTOR - 7, MAG2	2
122	SOLENOID	CONNECTOR - 7, MAG2	2
123	SOLENOID	CONNECTOR - 7, MAG2	2
124	SOLENOID	CONNECTOR - 7, MAG2	2
125	SOLENOID	CONNECTOR - 7, MAG2	2
126	SOLENOID	CONNECTOR - 7, MAG2	2
127	SOLENOID	CONNECTOR - 7, MAG2	2
128	SOLENOID	CONNECTOR - 7, MAG2	2
129	SOLENOID	CONNECTOR - 7, MAG2	2
130	SOLENOID	CONNECTOR - 7, MAG2	2
131	SOLENOID	CONNECTOR - 7, MAG2	2
132	SOLENOID	CONNECTOR - 7, MAG2	2
133	SOLENOID	CONNECTOR - 7, MAG2	2
134	SOLENOID	CONNECTOR - 7, MAG2	2
135	SOLENOID	CONNECTOR - 7, MAG2	2
136	SOLENOID	CONNECTOR - 7, MAG2	2
137	SOLENOID	CONNECTOR - 7, MAG2	2
138	SOLENOID	CONNECTOR - 7, MAG2	2
139	SOLENOID	CONNECTOR - 7, MAG2	2
140	SOLENOID	CONNECTOR - 7, MAG2	2
141	SOLENOID	CONNECTOR - 7, MAG2	2
142	SOLENOID	CONNECTOR - 7, MAG2	2
143	SOLENOID	CONNECTOR - 7, MAG2	2
144	SOLENOID	CONNECTOR - 7, MAG2	2
145	SOLENOID	CONNECTOR - 7, MAG2	2
146	SOLENOID	CONNECTOR - 7, MAG2	2
147	SOLENOID	CONNECTOR - 7, MAG2	2
148	SOLENOID	CONNECTOR - 7, MAG2	2
149	SOLENOID	CONNECTOR - 7, MAG2	2
150	SOLENOID	CONNECTOR - 7, MAG2	2
151	SOLENOID	CONNECTOR - 7, MAG2	2
152	SOLENOID	CONNECTOR - 7, MAG2	2
153	SOLENOID	CONNECTOR - 7, MAG2	2
154	SOLENOID	CONNECTOR - 7, MAG2	2
155	SOLENOID	CONNECTOR - 7, MAG2	2
156	SOLENOID	CONNECTOR - 7, MAG2	2
157	SOLENOID	CONNECTOR - 7, MAG2	2
158	SOLENOID	CONNECTOR - 7, MAG2	2
159	SOLENOID	CONNECTOR - 7, MAG2	2
160	SOLENOID	CONNECTOR - 7, MAG2	2
161	SOLENOID	CONNECTOR - 7, MAG2	2
162	SOLENOID	CONNECTOR - 7, MAG2	2
163	SOLENOID	CONNECTOR - 7, MAG2	2
164	SOLENOID	CONNECTOR - 7, MAG2	2
165	SOLENOID	CONNECTOR - 7, MAG2	2
166	SOLENOID	CONNECTOR - 7, MAG2	2
167	SOLENOID	CONNECTOR - 7, MAG2	2
168	SOLENOID	CONNECTOR - 7, MAG2	2
169	SOLENOID	CONNECTOR - 7, MAG2	2
170	SOLENOID	CONNECTOR - 7, MAG2	2
171	SOLENOID	CONNECTOR - 7, MAG2	2
172	SOLENOID	CONNECTOR - 7, MAG2	2
173	SOLENOID	CONNECTOR - 7, MAG2	2
174	SOLENOID	CONNECTOR - 7, MAG2	2
175	SOLENOID	CONNECTOR - 7, MAG2	2
176	SOLENOID	CONNECTOR - 7, MAG2	2
177	SOLENOID	CONNECTOR - 7, MAG2	2
178	SOLENOID	CONNECTOR - 7, MAG2	2
179	SOLENOID	CONNECTOR - 7, MAG2	2
180	SOLENOID	CONNECTOR - 7, MAG2	2
181	SOLENOID	CONNECTOR - 7, MAG2	2
182	SOLENOID	CONNECTOR - 7, MAG2	2
183	SOLENOID	CONNECTOR - 7, MAG2	2
184	SOLENOID	CONNECTOR - 7, MAG2	2
185	SOLENOID	CONNECTOR - 7, MAG2	2
186	SOLENOID	CONNECTOR - 7, MAG2	2
187	SOLENOID	CONNECTOR - 7, MAG2	2
188	SOLENOID	CONNECTOR - 7, MAG2	2
189	SOLENOID	CONNECTOR - 7, MAG2	2
190	SOLENOID	CONNECTOR - 7, MAG2	2
191	SOLENOID	CONNECTOR - 7, MAG2	2
192	SOLENOID	CONNECTOR - 7, MAG2	2
193	SOLENOID	CONNECTOR - 7, MAG2	2
194	SOLENOID	CONNECTOR - 7, MAG2	2
195	SOLENOID	CONNECTOR - 7, MAG2	2
196	SOLENOID	CONNECTOR - 7, MAG2	2
197	SOLENOID	CONNECTOR - 7, MAG2	2
198	SOLENOID	CONNECTOR - 7, MAG2	2
199	SOLENOID	CONNECTOR - 7, MAG2	2
200	SOLENOID	CONNECTOR - 7, MAG2	2

Assembling drawing(SI-45135 2/6)



Assembling drawing(SI-45135 3/6)





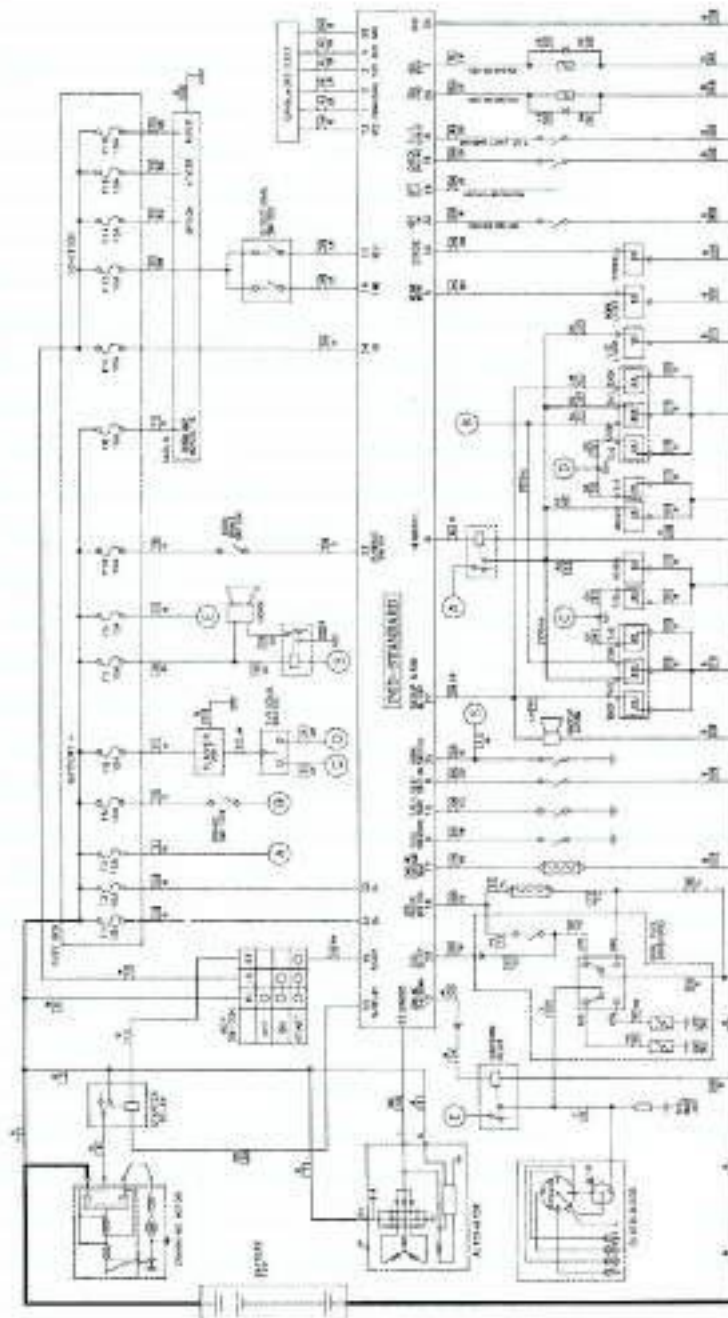
6.2.3 Wire harness(P/NO)

- 8048101 W/HARNESS-COWL-MMC
- 8001987 W/HARNESS-MAIN-LPG

6.3 C20GAS Electrical component (TIER-0)

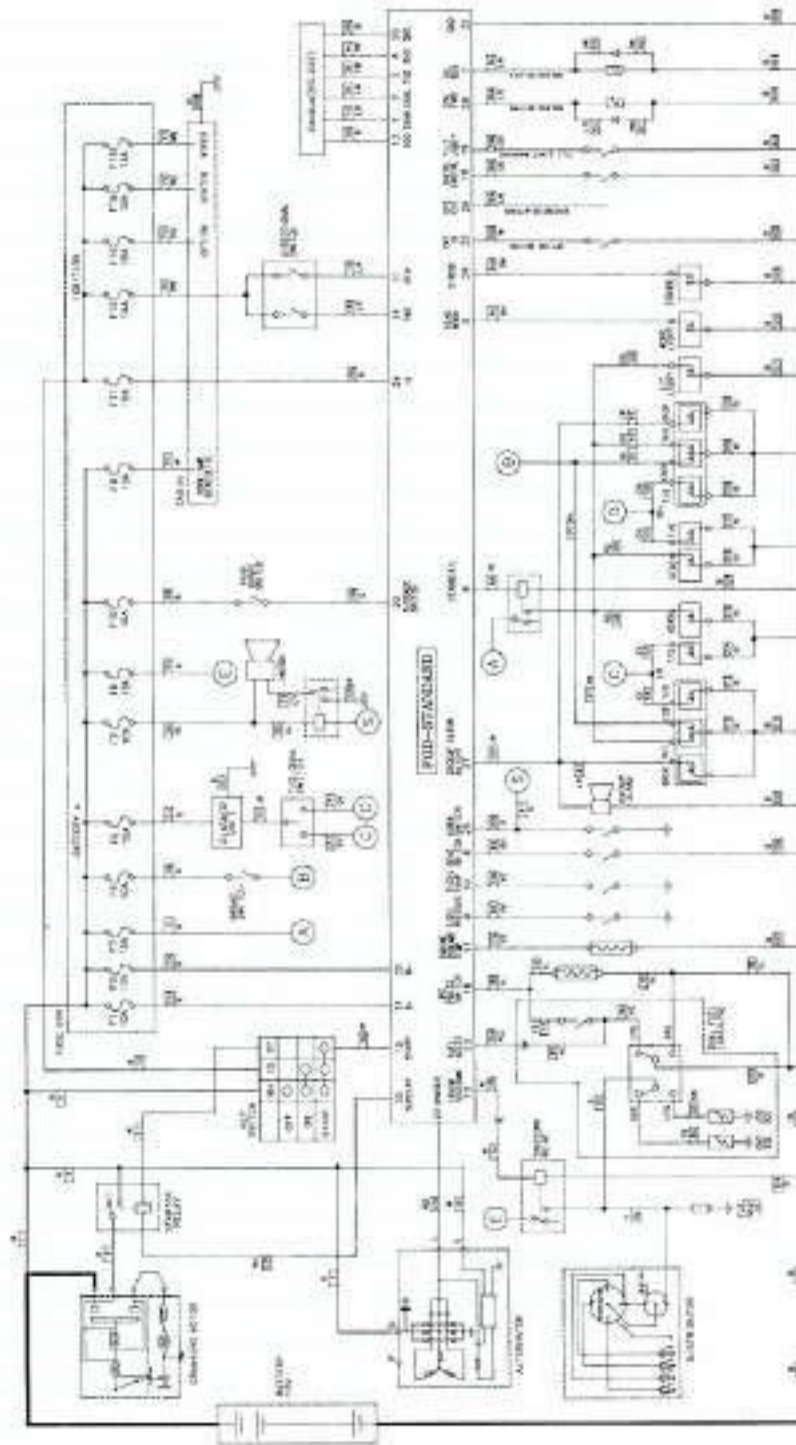
6.3.1 Wiring (IN-28032 1/3)

1. WIRE BY AN INSTRUMENT LABORATORY INC.
2. LIST OF BUSES AND COMPONENTS ARE IN 30 MAR 11.
3. SHOULD BE USED IN SUBJECT TO BATTERY-1 BENCH.



Wiring (IN-28032 2/3)

1. WPT EC OR VARIOUS LITE LABORATORIES, INC.
- 1-502 (A) REQUIRES WIREWAY AND 20 TO 20000
2. ABOVE SHALL BE CONNECT TO (A) (1) (2) (3) (4) (5) (6) (7) (8) (9) (10) (11) (12) (13) (14) (15) (16) (17) (18) (19) (20) (21) (22) (23) (24) (25) (26) (27) (28) (29) (30) (31) (32) (33) (34) (35) (36) (37) (38) (39) (40) (41) (42) (43) (44) (45) (46) (47) (48) (49) (50) (51) (52) (53) (54) (55) (56) (57) (58) (59) (60) (61) (62) (63) (64) (65) (66) (67) (68) (69) (70) (71) (72) (73) (74) (75) (76) (77) (78) (79) (80) (81) (82) (83) (84) (85) (86) (87) (88) (89) (90) (91) (92) (93) (94) (95) (96) (97) (98) (99) (100) (101) (102) (103) (104) (105) (106) (107) (108) (109) (110) (111) (112) (113) (114) (115) (116) (117) (118) (119) (120) (121) (122) (123) (124) (125) (126) (127) (128) (129) (130) (131) (132) (133) (134) (135) (136) (137) (138) (139) (140) (141) (142) (143) (144) (145) (146) (147) (148) (149) (150) (151) (152) (153) (154) (155) (156) (157) (158) (159) (160) (161) (162) (163) (164) (165) (166) (167) (168) (169) (170) (171) (172) (173) (174) (175) (176) (177) (178) (179) (180) (181) (182) (183) (184) (185) (186) (187) (188) (189) (190) (191) (192) (193) (194) (195) (196) (197) (198) (199) (200) (201) (202) (203) (204) (205) (206) (207) (208) (209) (210) (211) (212) (213) (214) (215) (216) (217) (218) (219) (220) (221) (222) (223) (224) (225) (226) (227) (228) (229) (230) (231) (232) (233) (234) (235) (236) (237) (238) (239) (240) (241) (242) (243) (244) (245) (246) (247) (248) (249) (250) (251) (252) (253) (254) (255) (256) (257) (258) (259) (260) (261) (262) (263) (264) (265) (266) (267) (268) (269) (270) (271) (272) (273) (274) (275) (276) (277) (278) (279) (280) (281) (282) (283) (284) (285) (286) (287) (288) (289) (290) (291) (292) (293) (294) (295) (296) (297) (298) (299) (300) (301) (302) (303) (304) (305) (306) (307) (308) (309) (310) (311) (312) (313) (314) (315) (316) (317) (318) (319) (320) (321) (322) (323) (324) (325) (326) (327) (328) (329) (330) (331) (332) (333) (334) (335) (336) (337) (338) (339) (340) (341) (342) (343) (344) (345) (346) (347) (348) (349) (350) (351) (352) (353) (354) (355) (356) (357) (358) (359) (360) (361) (362) (363) (364) (365) (366) (367) (368) (369) (370) (371) (372) (373) (374) (375) (376) (377) (378) (379) (380) (381) (382) (383) (384) (385) (386) (387) (388) (389) (390) (391) (392) (393) (394) (395) (396) (397) (398) (399) (400) (401) (402) (403) (404) (405) (406) (407) (408) (409) (410) (411) (412) (413) (414) (415) (416) (417) (418) (419) (420) (421) (422) (423) (424) (425) (426) (427) (428) (429) (430) (431) (432) (433) (434) (435) (436) (437) (438) (439) (440) (441) (442) (443) (444) (445) (446) (447) (448) (449) (450) (451) (452) (453) (454) (455) (456) (457) (458) (459) (460) (461) (462) (463) (464) (465) (466) (467) (468) (469) (470) (471) (472) (473) (474) (475) (476) (477) (478) (479) (480) (481) (482) (483) (484) (485) (486) (487) (488) (489) (490) (491) (492) (493) (494) (495) (496) (497) (498) (499) (500) (501) (502) (503) (504) (505) (506) (507) (508) (509) (510) (511) (512) (513) (514) (515) (516) (517) (518) (519) (520) (521) (522) (523) (524) (525) (526) (527) (528) (529) (530) (531) (532) (533) (534) (535) (536) (537) (538) (539) (540) (541) (542) (543) (544) (545) (546) (547) (548) (549) (550) (551) (552) (553) (554) (555) (556) (557) (558) (559) (560) (561) (562) (563) (564) (565) (566) (567) (568) (569) (570) (571) (572) (573) (574) (575) (576) (577) (578) (579) (580) (581) (582) (583) (584) (585) (586) (587) (588) (589) (590) (591) (592) (593) (594) (595) (596) (597) (598) (599) (600) (601) (602) (603) (604) (605) (606) (607) (608) (609) (610) (611) (612) (613) (614) (615) (616) (617) (618) (619) (620) (621) (622) (623) (624) (625) (626) (627) (628) (629) (630) (631) (632) (633) (634) (635) (636) (637) (638) (639) (640) (641) (642) (643) (644) (645) (646) (647) (648) (649) (650) (651) (652) (653) (654) (655) (656) (657) (658) (659) (660) (661) (662) (663) (664) (665) (666) (667) (668) (669) (670) (671) (672) (673) (674) (675) (676) (677) (678) (679) (680) (681) (682) (683) (684) (685) (686) (687) (688) (689) (690) (691) (692) (693) (694) (695) (696) (697) (698) (699) (700) (701) (702) (703) (704) (705) (706) (707) (708) (709) (710) (711) (712) (713) (714) (715) (716) (717) (718) (719) (720) (721) (722) (723) (724) (725) (726) (727) (728) (729) (730) (731) (732) (733) (734) (735) (736) (737) (738) (739) (740) (741) (742) (743) (744) (745) (746) (747) (748) (749) (750) (751) (752) (753) (754) (755) (756) (757) (758) (759) (760) (761) (762) (763) (764) (765) (766) (767) (768) (769) (770) (771) (772) (773) (774) (775) (776) (777) (778) (779) (780) (781) (782) (783) (784) (785) (786) (787) (788) (789) (790) (791) (792) (793) (794) (795) (796) (797) (798) (799) (800) (801) (802) (803) (804) (805) (806) (807) (808) (809) (810) (811) (812) (813) (814) (815) (816) (817) (818) (819) (820) (821) (822) (823) (824) (825) (826) (827) (828) (829) (830) (831) (832) (833) (834) (835) (836) (837) (838) (839) (840) (841) (842) (843) (844) (845) (846) (847) (848) (849) (850) (851) (852) (853) (854) (855) (856) (857) (858) (859) (860) (861) (862) (863) (864) (865) (866) (867) (868) (869) (870) (871) (872) (873) (874) (875) (876) (877) (878) (879) (880) (881) (882) (883) (884) (885) (886) (887) (888) (889) (890) (891) (892) (893) (894) (895) (896) (897) (898) (899) (900) (901) (902) (903) (904) (905) (906) (907) (908) (909) (910) (911) (912) (913) (914) (915) (916) (917) (918) (919) (920) (921) (922) (923) (924) (925) (926) (927) (928) (929) (930) (931) (932) (933) (934) (935) (936) (937) (938) (939) (940) (941) (942) (943) (944) (945) (946) (947) (948) (949) (950) (951) (952) (953) (954) (955) (956) (957) (958) (959) (960) (961) (962) (963) (964) (965) (966) (967) (968) (969) (970) (971) (972) (973) (974) (975) (976) (977) (978) (979) (980) (981) (982) (983) (984) (985) (986) (987) (988) (989) (990) (991) (992) (993) (994) (995) (996) (997) (998) (999) (1000)



Wiring (IN-28032 3/3)

- 1. NOT TO BE REWOUND OR REWINDING, THE LETTER OR NUMBER OF COMPONENT AND BE TO MARKED.
- 2. WIRE SHOULD BE CONNECT TO BATTERY DIRECTLY

