

tractors
fork lift trucks
empty container handling
reach stackers ►
straddle carriers
steel coil handling
pick & carry crane

products



C.V.S. spa

via Emilia, 20/22
29010 Roveleto di Cadeo
Piacenza - Italy

tel. +39.0523.503511
fax +39.0523.500439

www.cvsferrari.com
info.mktg@cvsferrari.com



Technical Information

Reach Stackers

FERRARI
F 278

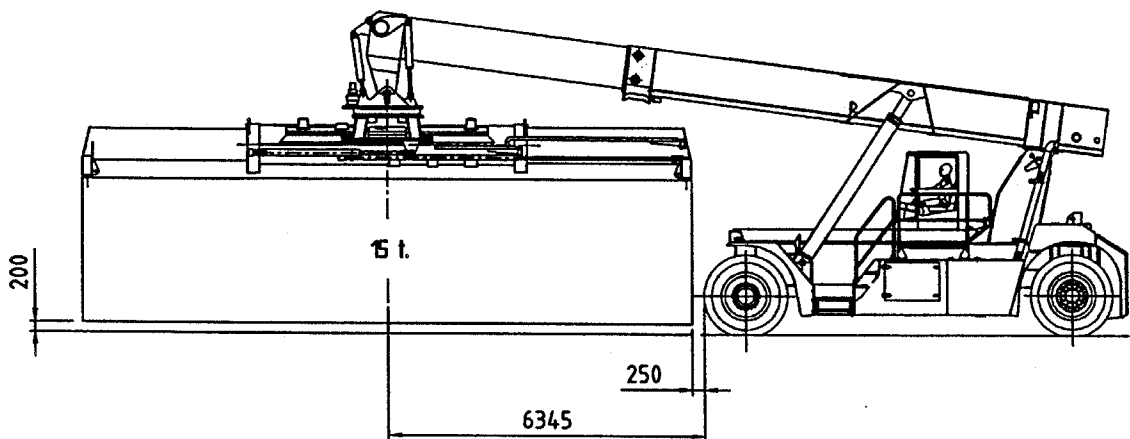
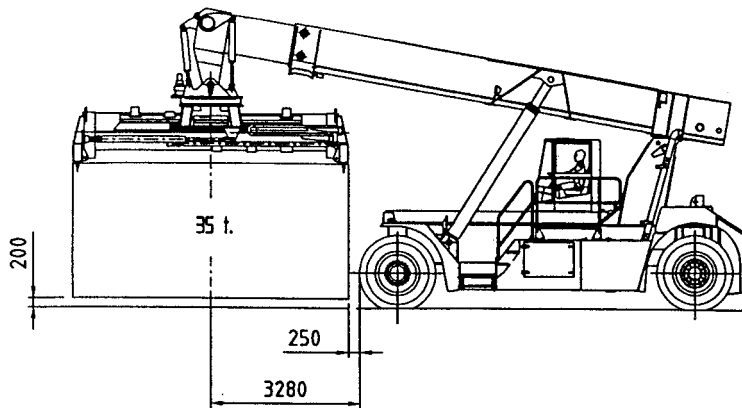
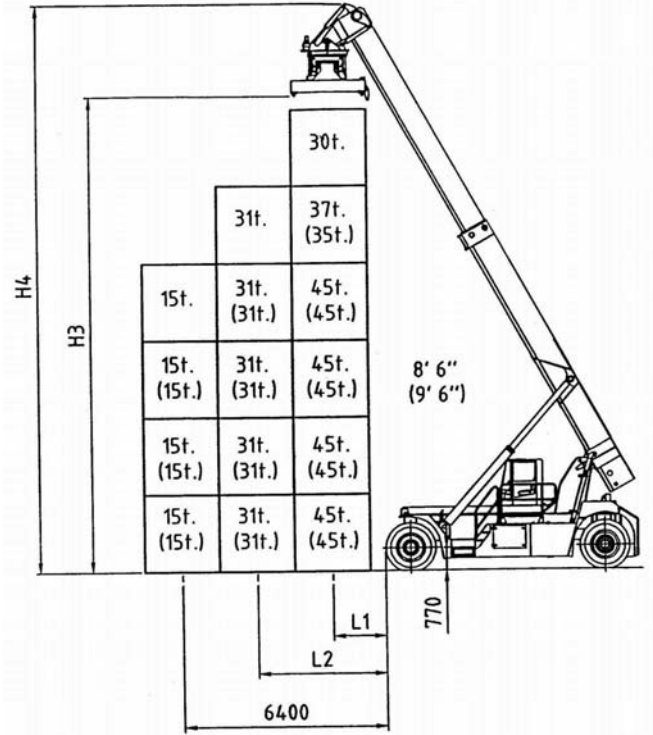
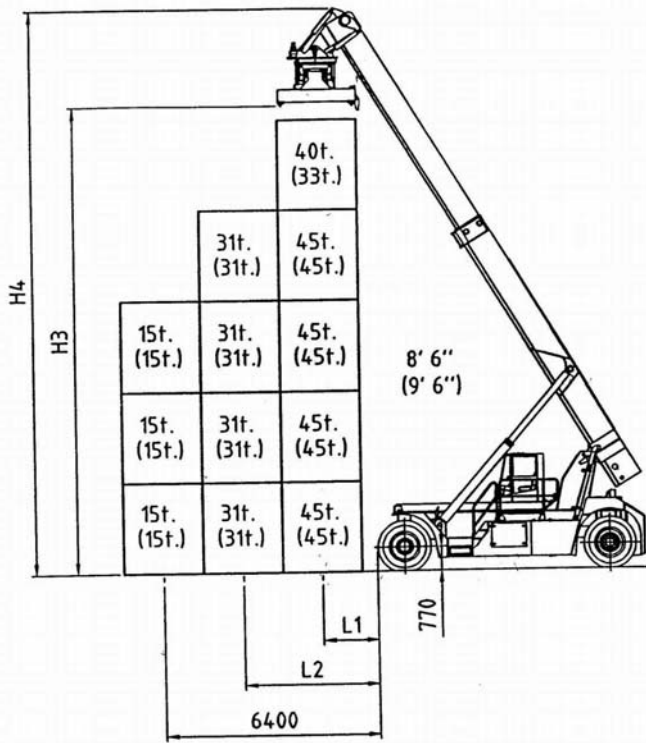
SPECIFICATION	01 Manufacturer				CVS	CVS	CVS
	02 Model				FERRARI 278.5	FERRARI 278.6	FERRARI 278.5 PB
	03 Lifting capacity	First Row/Second Row		Kg.	45000/31000	45000/31000	45000/26000
	03 Lifting capacity	under spreader + Piggy Back		Kg.	45000	45000	45000
	04 Load Center	First Row/Second Row	L1/L2	mm.	1790/3850	1790/3850	1790/3850
	05 Power unit				Diesel engine	Diesel engine	Diesel engine
	06 Steering				Steering wheel in the cab		
	07 Tyre type	Front / Rear			Pneumatic	Pneumatic	Pneumatic
08 Wheels	Number at Front/Rear (*=driven)			4*/2	4*/2	4*/2	
DIMENSIONS	09 Lifting Height	Under Spreader - First Row	H3	mm.	14935	15995	14680
	10 Width of Spreader	20 Ft.		mm.	6052	6052	6052
		40 Ft.		mm.	12184	12184	12184
	11 Side Tilting	Mechanical		Deg.	±3	±3	±3
	12 Rotation	Hydraulic		Deg.	-95+185	-95+185	-95+185
	13 Side shifter	Max		mm.	±800	±800	±800
	14 Boom Angle	Min / Max		Deg.	0/59	0/60	0/59
	15 Overall dimensions	Length without boom		mm.	8460	8460	8560
		Length with spreader	L	mm	11645	12015	11645
	16	Width	B	mm.	4184	4184	4184
	17	Boom height, Min.	H1	mm.	4730	4730	4830
	18	Boom height, Max	H4	mm.	18040	19090	18140
	19	Height - Top of Cab	H5	mm.	3750	3750	3750
	20	Seat height	H	mm.	2660	2660	2760
20/A	Min. dist. spreader from ground	H2	mm.	1305	1305	1405	
PERFORMANCE	21 Turning radius	Inner/Outer	R2/R1	mm.	980/8390	980/8390	980/8390
	22 Aisle for 90° stacking	Incl. 200 mm. safety margin 20' 40'		mm.	9810/12710	9810/12710	9810/12710
	Stability (static)				EN 1459	EN 1459	EN 1459
	23 Speeds	Travelling F. & R. Laden/Unladen		km/h	22/23	22/23	25/26
	24	Lifting : max / zero load (with booster*)	m/s	M/s	0.23/0.26 (0.38)	0.23/0.26 (0.38)	0.23/0.26 (0.38)
	25	Lowering Laden/Unladen		M/s	0.29	0.29	0.29
	26 Drawbar pull	Max - Laden		kN	304	304	304
	27 Gradeability	Max at 0 km /h - Laden		%	28	28	22
WEIGHTS	28 Gross vehicle weight			Kg.	70850	72350	82400
	29 Axle load - Front	Unladen		Kg.	36650	38400	44000
		Laden		Kg.	99750	100950	108400
	30 Axle load - Rear	Unladen		Kg.	34200	33950	38400
Laden			Kg.	16100	16400	19000	
TYRES BRAKES CHASSIS	31 Tyres	Number - Front/rear			4/2	4/2	4/2
	32	Size - Front		ins.	18.00-25(40pr)	18.00-25(40pr)	18.00-33(36pr)
	33	Size - Rear		ins.	18.00-25(40pr)	18.00-25(40pr)	18.00-33(36pr)
	34 Wheelbase		L3	mm.	6500	6500	6500
	35 Track Front	Between centres - driven wheels		mm.	3033	3033	3033
	36 Track Rear	Between centres - steering wheels		mm.	2820	2820	2820
	37 Ground clearance	Mid-way along the wheelbase		mm.	350	350	350
	38 Foot brake system	Type/brake wheels			Wet disc brake / Driven Wheel		
	39 Parking brake	Type/brake wheels			Spring brakes / Driven wheel		
STEERING SYSTEM	Type				Hydrostatic		
DRIVING SYSTEM	40 Engine	Manufacturer - Type			SCANIA DI 12 **		
	41	Rating - DIN 6271		kW/(hp)	243 (330)	243 (330)	243 (330)
	42	Rated Speed		RPM	2100	2100	2100
	43	Peak Torque - at engine speed		Nm/RPM	1589 / 1400	1589 / 1400	1589 / 1400
	44	Number Cylinders - swept volume		cm3	6 / 11700	6 / 11700	6 / 11700
	45	Compression Ratio			18:1	18:1	18:1
	46	Fuel Consumption (Average)		l/h	12 - 15	12 - 15	12 - 15
	47 Alternator	Type - Rating		A	130 A (2 X 65 A)	130 A (2 X 65 A)	130 A (2 X 65 A)
	48 Starting Batteries	Voltage - Capacity		V/Ah	2x12 V -200 Ah	2x12 V -200 Ah	2x12 V -200 Ah
	49 Drive Axle	Type			With double reduction		
	50 Gear Box	Type-number of gears forwar/rev.			Clark - 4/4	Clark - 4/4	Clark - 4/4
	51 Clutch	Clutch type			Torque converter		
		52 Hydraulic pressure	For attachments		Bar	140	140
53 Sound Level		Inside Cabine			EN 12053	EN 12053	EN 12053

* Booster option

** engine option: CUMMINS QSM11

Ferrari 278.5

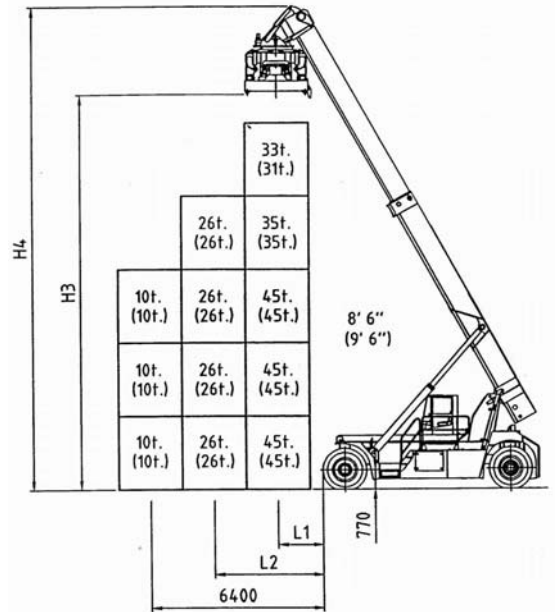
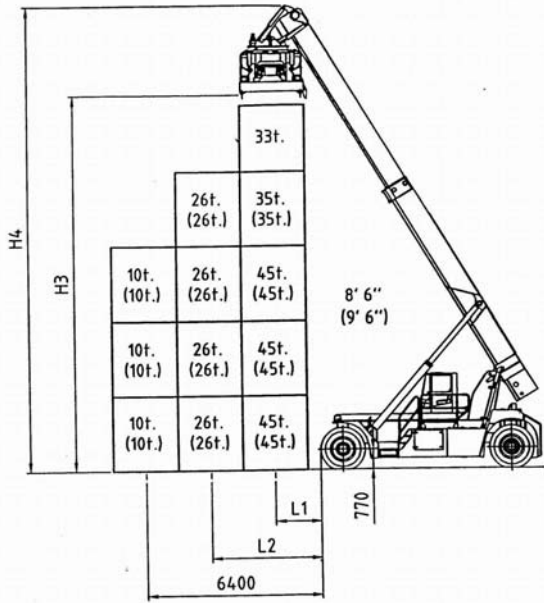
Ferrari 278.6



Ferrari 278.5PB

-

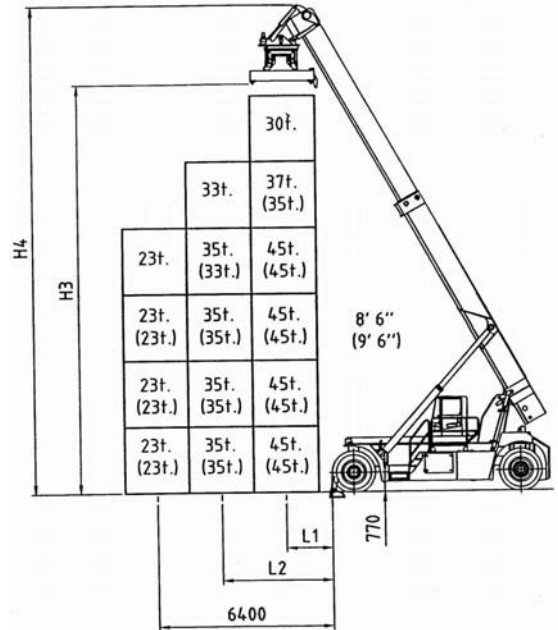
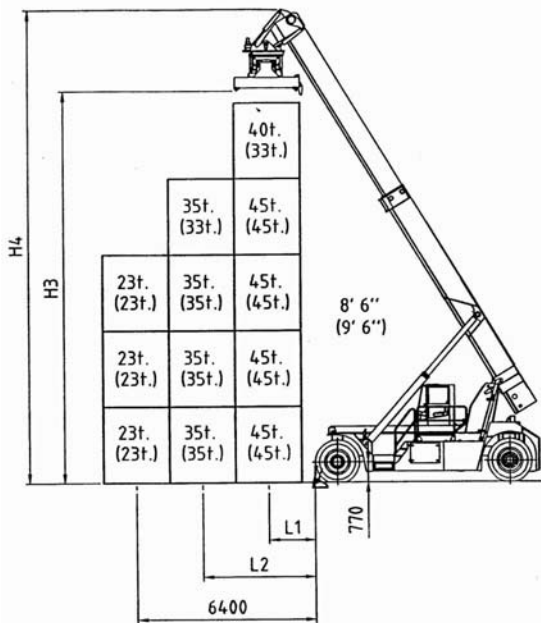
Ferrari 278.6PB



Ferrari 278.5 S

-

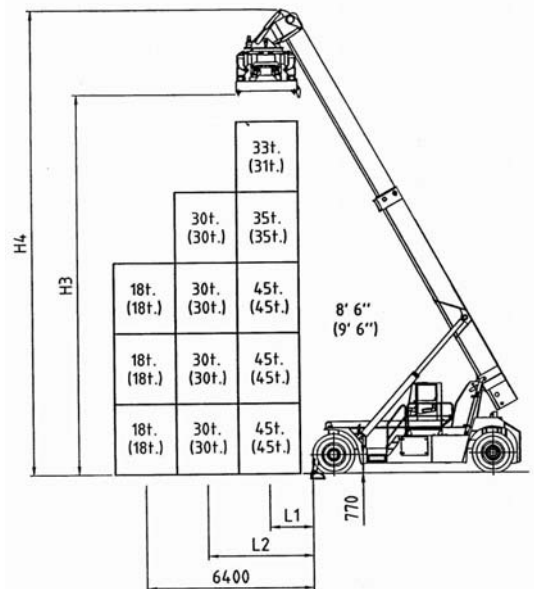
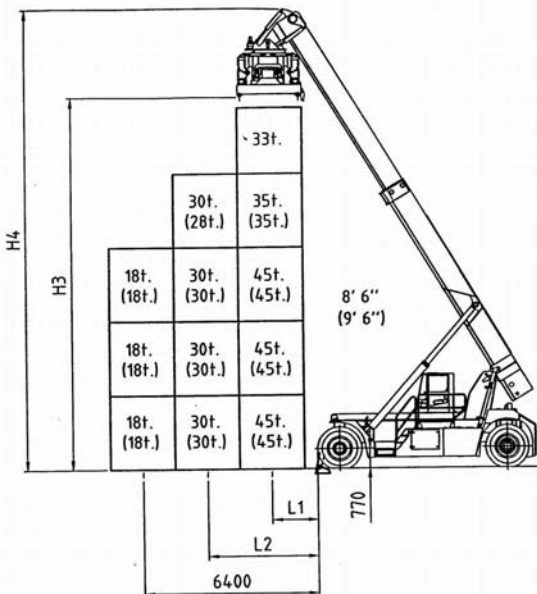
Ferrari 278.6 S

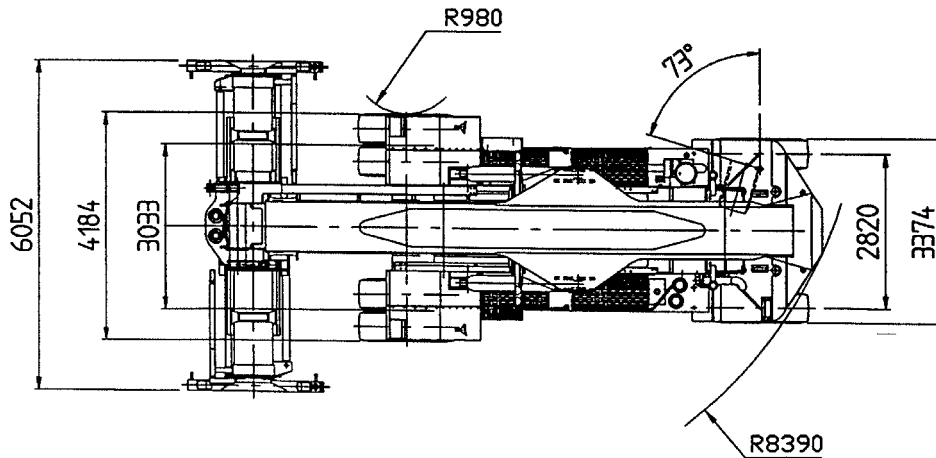
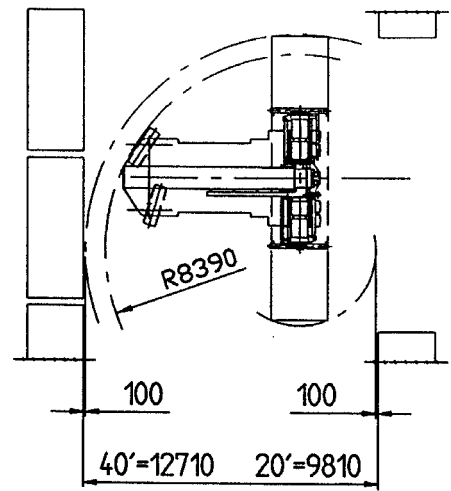
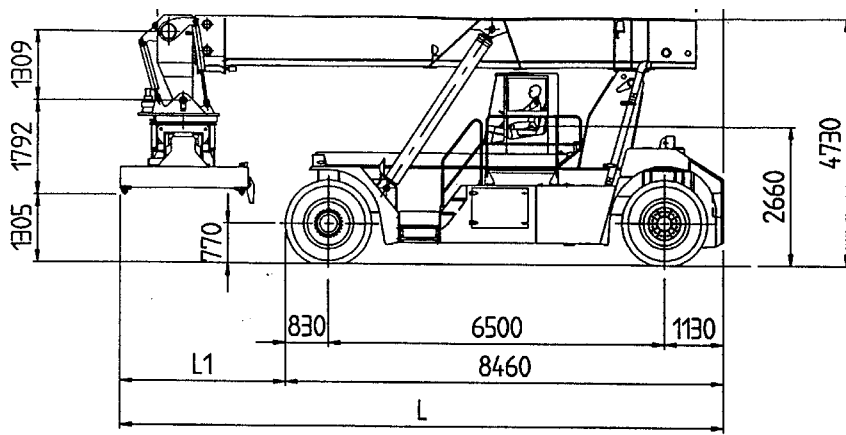


Ferrari 278.5PBS

-

Ferrari 278.6 PBS





CHASSIS

All welded box type. Torsion resistant structure. Low center of gravity.

ENGINE

SCANIA DI 12.
Euromot step 2. Best performances and lowest fuel consumption. Low polluting level.

TRANSMISSION

CLARK 36000 - Integrated torque converter and power shift - 4 Speeds forward and 4 speeds reverse.

FRONT AXLE

Extra wide front axle for maximum stability. Hub reduction. Wet disc brake. Oil cooling. Extra heavy duty type.

REAR AXLE

Articulating axle with double acting single cylinder. Rubber shock absorbers. Full hydrostatic steering system (Orbitrol) with priority valve.

HYDRAULIC SYSTEM

Variable displacement pumps. Load sensing proportional distributor controlling telescoping and lifting. Anti-saturation LUDV system. Multifunctional joystick. Oil cooling system.

ELECTRICAL SYSTEM

Modular system with diagnostic capability. Reliable and easy to service. 24V. - Two 12V. batteries of low maintenance type.

BOOM

High torsion - High quality steel. One basic outer section and one inner telescopic section.

SPREADER:

Highest strength steel. Compact and precise. Telescoping from 20' to 40'. All functions controlled from cab. Side mechanical tilting. Damping cylinder. Safety sensors on four corners.

The illustrations and data contained in this brochure are not binding. The manufacturer reserves the right to make changes for any reason while not altering the primary specifications



Distributed & Serviced by:

C.V.S S.p.A. - Via Emilia - 29010 Roveleto di Cadeo (PC) ITALY
Tel. ++39.0523.503511 - Fax ++39.0523.500439
E-mail: info.mktg@cvsferrari.com