

Electric Powered Forklift 1.0 - 1.5 ton



www.bt-forklifts.com



BT cargo E2

C3E100R

C3E130R

C3E150R



Electric Powered Forklift 1.0-1.5 tonne

Truck specifications				C3E100R	C3E130R	C3E150R
1.1	Manufacturer			BT	BT	BT
1.2	Model			C3E100R	C3E130R	C3E150R

Identificati	1.3	Drive			Electric	Electric	Electric
	1.4	Operator type			Rider seated	Rider seated	Rider seated
	1.5	Load capacity/rated load	Q	kg	1000	1250	1500
	1.6	Load centre	c	mm	500	500	500
	1.8	Load distance, centre of drive axle to fork	x	mm	330 ¹⁾	330 ¹⁾	330 ¹⁾
	1.9	Wheelbase	y	mm	984	1146	1200
Weight	2.1	Service weight		kg	2550 ²⁾	2820 ²⁾	2930 ²⁾
	2.2	Axle load, with load, front/rear		kg	2950/600	3390/680	3820/610
	2.3	Axle load, without load, front/rear		kg	1100/1450	1230/1590	1280/1650
Tyres	3.1	Tyres: Cushion (C), Pneumatic (PN), Superelastic (SE)			C/SE/PN	C/SE/PN	C/SE/PN
	3.2	Tyre size, front			457x152/18x7-8/18x7-8		
	3.3	Tyre size, rear			457x152/18x7-8/18x7-8		
	3.5	Wheels, number front/rear (x=driven wheels)			2x/1	2x/1	2x/1
	3.6	Track width, front		mm	837/837/847 ³⁾	837/837/847 ³⁾	881/837/847 ⁴⁾
	3.7	Track width, rear	b ₁₀ b ₁₁	mm	0	0	0
Dimensioni	4.1	Tilt of mast/fork carriage forward/backward	a/b	deg	3/6	3/6	3/6
	4.2	Height, mast lowered	h ₁	mm	2140	2140	2140
	4.3	Free lift	h ₂	mm	80	80	80
	4.4	Lift	h ₃	mm	3270	3270	3270
		Lift height		mm	3305	3305	3305
	4.5	Height, mast extended	h ₂₃ h ₄	mm	3820	3820	3820
	4.7	Height of overhead guard (cab)	h ₆	mm	1980	1980	1980
	4.8	Seat height/stand height	h ₇	mm	941	941	941
	4.20	Length to face of forks		mm	1564 ¹⁾	1726 ¹⁾	1780 ¹⁾
	4.21	Overall width	l ₂ b ₁	mm	990/990/1030 ⁵⁾	990/990/1030 ⁵⁾	1062/990/1030 ⁵⁾
	4.22	Fork dimensions	s/e/l	mm	35/100/1000	35/100/1000	35/100/1000
	4.23	Fork carriage DIN 15 173, class/type A, B			II A	II A	II A
	4.31	Ground clearance, with load, below mast	m ₁	mm	90	90	90
	4.32	Ground clearance, centre of wheelbase	m ₂	mm	90	90	90
	4.33	Aisle width for pallets 1000 x 1200 crossways		mm	2893	3055	3109
	4.34	Aisle width for pallets 800 x 1200 lengthways	A _{st} A _{st}	mm	3015	3177	3231
4.35	Turning radius	W _a	mm	1234	1396	1450	

BT cargo

Performance d	5.1	Travel speed, with/without load	km/h	12,0/12,5	12,0/12,5	12,0/12,5	
	5.2	Lift speed, with/without load	m/s	0,32/0,52	0,31/0,52	0,30,52	
	5.3	Lowering speed, with/without load	m/s	0,59/0,52	0,59/0,52	0,59/0,52	
	5.5	Drawbar pull, with/without load	N	1470/1670	1420/1670	1370/1670	
	5.6	Max. drawbar pull, with/without load	N	7300/7500	7250/7500	7200/7500	
	5.7	Gradeability, with/without load	%	8,0/12,5	7,0/11,5	6,5/11,0	
	5.8	Max. gradeability, with/without load	%	19,0/25,0	17,0/ 25,0	16,0/25,0	
	5.10	Service brake		Hydraulic	Hydraulic	Hydraulic	
	Electric moi	6.1	Drive motor rating S2 60 min	kW	5,1	5,1	5,1
		6.2	Lift motor rating S3 15%	kW	7,5	7,5	7,5
6.4		Battery voltage, nominal capacity K _s	V/Ah	24/400-500	24/700-875	24/800-1000	
6.5		Battery weight	kg	372	600	676	
Other		8.1	Type of drive control		Inverter MOSFET	Inverter MOSFET	Inverter MOSFET
	8.2	Operating pressure for attachments	bar	140	140	140	

1) With side shift = +34 mm

2) Battery weight included

3) 909/909/909 with Duplex h > 4000 mm - Triplex h > 4350 mm

4) 881/909/909 with Duplex h > 4000 mm - Triplex h > 4350 mm

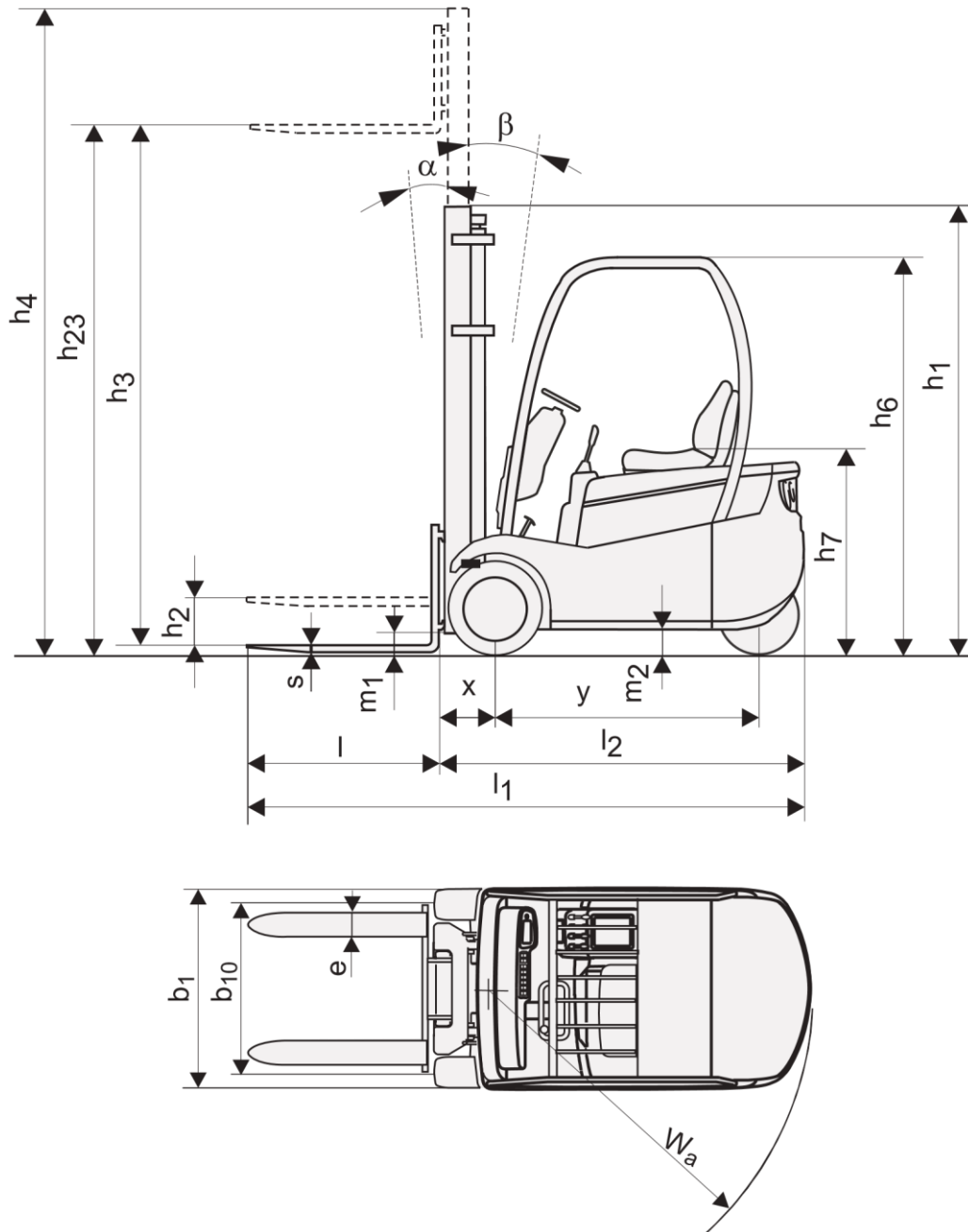
5) 1062/1062/1092 with Duplex h > 4000 mm - Triplex h > 4350 mm Performance data and dimensions are nominal and subject to tolerances.

Specifications are subject to change without notice.

Please obtain the latest specifications before contracting products.

Mast dimensions and rated capacities

Mast		Duplex					Duplex FFL				Triplex FFL						
C3E100R-15	Lift height		3005	3305	3705	4205	4705	2905	3205	3705	4005	4315	4505	5005	5705	6005	6505
	Lift	h ₂₃ h ₃	2970	3270	3670	4170	4670	2870	3170	3670	3970	4280	4470	4970	5670	5970	6470
	Height, mast lowered	h ₁	1990	2140	2340	2590	2890	1940	2090	2340	2490	1960	2025	2190	2440	2540	2740
	Height, mast extended	h ₄	3520	3820	4220	4720	5220	3420	3720	4220	4520	4820	5020	5520	6220	6520	7020
	Free lift	h ₂	80	80	80	80	80	1390	1540	1790	1940	1410	1475	1640	1890	1990	2190



Standard equipment:

- AC technology
- Long forks (length: 1000 mm)
- Tilting mast
- Hydraulic steering
- Sideshift
- Electronic regenerative brakes
- Three driving programs
- Curve cut-back speed
- Clear-view mast

- Adjustable steering wheel

TP-Technical Publications, Sweden — 745573-040, version 1, 1203

www.bt-forklifts.com



<https://www.pdfmanual4trucks.com/>

