

# Electric Powered Forklift 1.5 - 2.0 ton



www.bt-forklifts.com

## BT cargo E4

C3E150

C3E160-180

C3E160L-180L

C3E200



## Electric Powered Forklift 1.5 ton

Truck specifications			C3E150
1.1	Manufacturer		BT
1.2	Model		C3E150

Identificati-	1.3	Drive			Electric
	1.4	Operator type			Rider seated
	1.5	Load capacity/rated load	Q	kg	1500
	1.6	Load centre	c	mm	500
	1.8	Load distance, centre of drive axle to fork	x	mm	351,5 <sup>1)</sup>
	1.9	Wheelbase	y	mm	1262
Weigt	2.1	Service weight		kg	3044 <sup>2)</sup>
	2.2	Axle load, with load, front/rear		kg	3947/597
	2.3	Axle load, without load, front/rear		kg	1434/1610
Tyres	3.1	Tyres: Cushion (C), Pneumatic (PN), Superelastic (SE)			C/SE
	3.2	Tyre size, front			432x152 / 18x7-8
	3.3	Tyre size, rear			381x127 / 140/55-9
	3.5	Wheels, number front/rear (x=driven wheels)			2x/2
	3.6	Track width, front		mm	889/901 <sup>3)</sup>
	3.7	Track width, rear	b <sub>10</sub> b <sub>11</sub>	mm	192/185 <sup>3)</sup>
Dimensioi	4.1	Tilt of mast/fork carriage forward/backward	a/b	deg	5/7 <sup>4)</sup>
	4.2	Height, mast lowered	h <sub>1</sub>	mm	2160
	4.3	Free lift	h <sub>2</sub>	mm	80
	4.4	Lift	h <sub>3</sub>	mm	3170
		Lift height		mm	3205
	4.5	Height, mast extended	h <sub>23</sub> h <sub>4</sub>	mm	3720
	4.7	Height of overhead guard (cab)	h <sub>6</sub>	mm	2050
	4.8	Seat height/stand height	h <sub>7</sub>	mm	937
	4.12	Coupling height		mm	500
	4.19	Overall length	h <sub>10</sub> l <sub>1</sub>	mm	2803
	4.20	Length to face of forks		mm	1803
	4.21	Overall width	l <sub>2</sub> b <sub>1</sub>	mm	1050
	4.22	Fork dimensions	s/e/l	mm	35/100/1000

1) +34 mm with integrated sideshift

2) includes battery weight

3) C/ SE

4) 5° backward with front windshield

Performance data and dimensions are nominal and subject to tolerances.

Specifications are subject to change without notice.

Please obtain the latest specifications before contracting products.

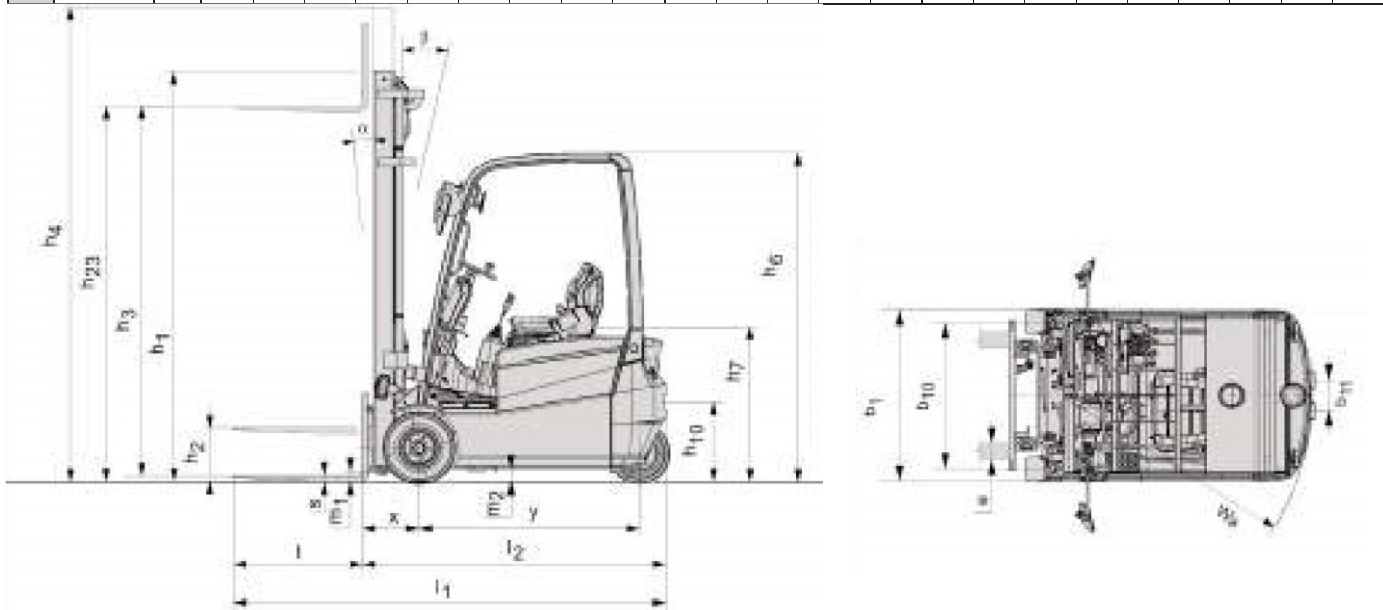
# Mast dimensions and rated capacities

# BT cargo

	4.23	Fork carriage DIN 15 173, class/type A, B			II A
	4.24	Fork-carriage width	b <sub>3</sub>	mm	920
	4.31	Ground clearance, with load, below mast	m <sub>1</sub>	mm	100
	4.32	Ground clearance, centre of wheelbase	m <sub>2</sub>	mm	90
	4.33	Aisle width for pallets 1000 x 1200 crossways		mm	3130
	4.34	Aisle width for pallets 800 x 1200 lengthways	A <sub>st</sub> A <sub>st</sub>	mm	3254
	4.35	Turning radius	W <sub>a</sub>	mm	1451,5
	4.36	Internal turning radius		mm	0
Performance d	5.1	Travel speed, with/without load		km/h	16,0/16,0
	5.2	Lift speed, with/without load		m/s	0,40/0,60
	5.3	Lowering speed, with/without load		m/s	0,55/0,50
	5.5	Drawbar pull, with/without load		N	5200/5400
	5.6	Max. drawbar pull, with/without load		N	14450/15000
	5.7	Gradeability, with/without load		%	14,0/16,5
	5.8	Max. gradeability, with/without load		%	28/32
	5.10	Service brake			Electric/ Hydraulic
Electric mo	6.1	Drive motor rating S2 60 min		kW	6x2
	6.2	Lift motor rating S3 15%		kW	15,8
	6.3	Battery acc. to DIN 43 531/35/36 A, B, C, no			43 531 A
	6.4	Battery voltage, nominal capacity K <sub>s</sub>		V/Ah	48/420-500
	6.5	Battery weight		kg	708
Other	8.1	Type of drive control			Inverter MOSFET
	8.2	Operating pressure for attachments		bar	140
	8.3	Oil volume for attachments		l/min	
	8.4	Sound level at the driver's ear according to EN 12 053		dB(A)	

Model		Duplex NFL										Duplex FFL					Triplex FFL									
C3E15	Lift height	h <sub>23</sub>	300	320	350	370	400	420	450	470	500	300	320	350	370	400	400	430	450	470	500	560	650	700	750	
	Lift	h <sub>3</sub>	297	317	347	367	397	417	447	467	497	297	317	347	367	397	397	427	447	467	497	557	647	697	747	
	Height, mast lowered	h <sub>1</sub>	206	216	231	241	256	266	281	291	311	206	216	241	241	256	189	199	206	216	226	246	281	301	321	

Height, mast extended	h <sub>4</sub>	3520	3720	4020	4220	4520	4720	5020	5220	5555	3550	3750	4050	4250	4550	4550	4850	5050	5250	5550	6150	7050	7550	8050
	Free lift	h <sub>2</sub>	80	80	80	80	80	80	80	80	1480	1580	1730	1830	1980	1310	1410	1480	1580	1680	1880	2230	2430	2630
Superelastic / Cushion tyre		Duplex NFL										Duplex FFL					Triplex FFL							
C3E15	Tilt range, forward	deg	5	5	5	5	5	5	5	5	5	5	5	5	5	5	5	5	5	5	5	5	5	5
	Tilt range, backward	deg	7	7	7	7	7	7	7	7	7	7	7	7	7	7	7	7	7	7	7	7	7	7
	Load capacity at 500 mm LC	kg	1500	1500	1500	1500	1500	1450	1450	1400	1400	1500	1500	1500	1500	1500	1450	1400	1400	1350	1300	1200	950	700



## Electric Powered Forklift 1.6 - 1.8 ton

Truck specifications					C3E160	C3E180
Identificati	1.1	Manufacturer			BT	BT
	1.2	Model			C3E160	C3E180
	1.3	Drive			Electric	Electric
	1.4	Operator type			Rider seated	Rider seated
	1.5	Load capacity/rated load		Q kg	1600	1800
	1.6	Load centre		c mm	500	500
	1.8	Load distance, centre of drive axle to fork		x mm	351,5 <sup>1)</sup>	365,5 <sup>1)</sup>
	1.9	Wheelbase		y mm	1370	1370

1) +34 mm with integrated sideshift

2) includes battery weight

3) C/ SE

4) 5° backward with front windshield

Performance data and dimensions are nominal and subject to tolerances.

Specifications are subject to change without notice.

Please obtain the latest specifications before contracting products.

# Mast dimensions and rated capacities

# BT cargo

Weight	2.1	Service weight		kg	3067 <sup>2)</sup>	3299 <sup>2)</sup>
	2.2	Axle load, with load, front/rear		kg	4110/557	4540/559
	2.3	Axle load, without load, front/rear		kg	1515/1552	1603/1696
Tyres	3.1	Tyres: Cushion (C), Pneumatic (PN), Superelastic (SE)			C/SE	C/SE
	3.2	Tyre size, front			432x152 / 18x7-8	457x178 / 200/50-10
	3.3	Tyre size, rear			381x127 / 140/55-9	381x127 / 140/55-9
	3.5	Wheels, number front/rear (x=driven wheels)			2x/2	2x/2
	3.6	Track width, front		mm	889/901 <sup>3)</sup>	879/916 <sup>3)</sup>
	3.7	Track width, rear	b <sub>10</sub>	mm	192/185 <sup>3)</sup>	192/185 <sup>3)</sup>
			b <sub>11</sub>			
Dimension	4.1	Tilt of mast/fork carriage forward/backward	a/b	deg	5/7 <sup>4)</sup>	5/7 <sup>4)</sup>
	4.2	Height, mast lowered	h <sub>1</sub>	mm	2160	2160
	4.3	Free lift	h <sub>2</sub>	mm	80	80
	4.4	Lift	h <sub>3</sub>	mm	3170	3170
		Lift height		mm	3205	3205
			h <sub>23</sub>			
	4.5	Height, mast extended	h <sub>4</sub>	mm	3720	3720
	4.7	Height of overhead guard (cab)	h <sub>6</sub>	mm	2050	2050
	4.8	Seat height/stand height	h <sub>7</sub>	mm	937	937
	4.12	Coupling height		mm	500	500
			h <sub>10</sub>			
	4.19	Overall length	l <sub>1</sub>	mm	2886	2925
	4.20	Length to face of forks		mm	1886	1925
			l <sub>2</sub>			
	4.21	Overall width	b <sub>1</sub> / b <sub>2</sub>	mm	1050	1057/1109
	4.22	Fork dimensions	s/e/l	mm	35/100/1000	35/120/1000
	4.23	Fork carriage DIN 15 173, class/type A, B			II A	II A
	4.24	Fork-carriage width	b <sub>3</sub>	mm	920	920
	4.31	Ground clearance, with load, below mast	m <sub>1</sub>	mm	100	100
	4.32	Ground clearance, centre of wheelbase	m <sub>2</sub>	mm	90	90
4.33	Aisle width for pallets 1000 x 1200 crossways		mm	3213	3251	
4.34	Aisle width for pallets 800 x 1200 lengthways	A <sub>st</sub> / A <sub>st</sub>	mm	3336	3375	
4.35	Turning radius	W <sub>a</sub>	mm	1534,5	1559,5	
4.36	Internal turning radius		mm	0	0	
		b <sub>13</sub>				
	5.1	Travel speed, with/without load		km/h	16,0/16,0	16.0/16,0
	5.2	Lift speed, with/without load		m/s	0,40/0,60	0,40/0,60

Performance d	5.3	Lowering speed, with/without load	m/s	0,55/0,50	0,55/0,50
	5.5	Drawbar pull, with/without load	N	5200/5400	5200/5400
	5.6	Max. drawbar pull, with/without load	N	14450/15000	14450/15000
	5.7	Gradeability, with/without load	%	13,5/16,0	13,0/15,5
	5.8	Max. gradeability, with/without load	%	27/31	25/30
	5.10	Service brake		Electric/ Hydraulic	Electric/ Hydraulic
Electric mo1	6.1	Drive motor rating S2 60 min	kW	6x2	6x2
	6.2	Lift motor rating S3 15%	kW	15,8	15,8
	6.3	Battery acc. to DIN 43 531/35/36 A, B, C, no		43 531 A	43 531 A
	6.4	Battery voltage, nominal capacity K <sub>s</sub>	V/Ah	48/525-625	48/525-625
	6.5	Battery weight	kg	856	856
Other	8.1	Type of drive control		Inverter MOSFET	Inverter MOSFET
	8.2	Operating pressure for attachments	bar	140	140
	8.3	Oil volume for attachments	l/min		
	8.4	Sound level at the driver's ear according to EN 12 053	dB(A)		

Model		Duplex NFL									Duplex FFL					Triplex FFL									
C3E160/1:	Lift height	h <sub>23</sub>	300	320	350	370	4005	4205	450	470	500	300	320	350	370	400	400	430	450	470	500	560	650	700	750
	Lift	h <sub>3</sub>	297	317	347	367	3970	4170	447	467	497	297	317	347	367	397	397	427	447	467	497	557	647	697	747
	Height, mast lowered	h <sub>1</sub>	206	216	231	241	2560	2660	281	291	311	206	216	241	241	256	189	199	206	216	226	246	281	301	321
	Height, mast extended	h <sub>4</sub>	352	372	402	422	4520	4720	502	522	555	355	375	405	425	455	455	485	505	525	555	615	705	755	805
	Free lift	h <sub>2</sub>	80	80	80	80	80	80	80	80	80	148	158	173	183	198	131	141	148	158	168	188	223	243	263
Superelastic / Cushion tyre		Duplex NFL									Duplex FFL					Triplex FFL									
C3E16	Tilt range, forward	de g	5	5	5	5	5	5	5	5	5	5	5	5	5	5	5	5	5	5	5	5	5	5	5
	Tilt range, backward	de g	7	7	7	7	7	7	7	7	7	7	7	7	7	7	7	7	7	7	7	7	7	7	7

1) +34 mm with integrated sideshift

2) includes battery weight

3) C/ SE

4) 5° backward with front windshield

Performance data and dimensions are nominal and subject to tolerances.

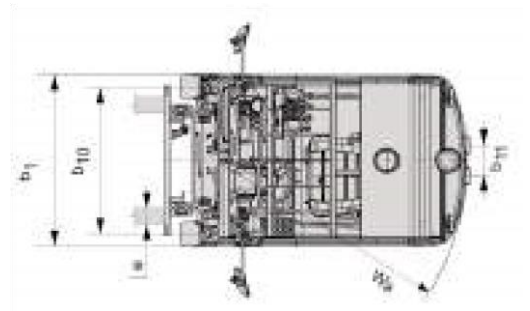
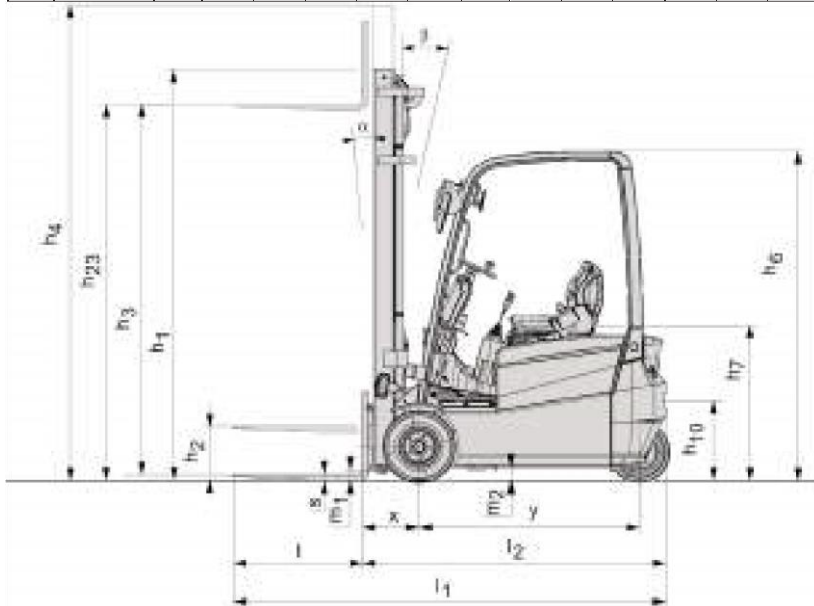
Specifications are subject to change without notice.

Please obtain the latest specifications before contracting products.

# Mast dimensions and rated capacities

# BT cargo

Load capacity at 500 mm LC	kg	1600	1600	1600	1600	1600	1550	1500	1450	1450	1600	1600	1600	1600	1600	1500	1500	1500	1450	1450	1300	1050	750	650
C3E18	Tilt range, forward	deg	5	5	5	5	5	5	5	5	5	5	5	5	5	5	5	5	5	5	5	5	5	5
	Tilt range, backward	deg	7	7	7	7	7	7	7	7	7	7	7	7	7	7	7	7	7	7	7	7	7	7
Load capacity at 500 mm LC	kg	1800	1800	1800	1800	1800	1750	1700	1650	1550	1800	1800	1800	1800	1750	1700	1650	1650	1550	1500	1350	1050	750	700



## Electric Powered Forklift 1.6 - 2.0 ton

Truck specifications				C3E160L	C3E180L	C3E200	
Identificati.	1.1	Manufacturer		BT	BT	BT	
	1.2	Model		C3E160L	C3E180L	C3E200	
	1.3	Drive		Electric	Electric	Electric	
	1.4	Operator type		Rider seated	Rider seated	Rider seated	
	1.5	Load capacity/rated load	Q	kg	1600	1800	2000
	1.6	Load centre	c	mm	500	500	500
	1.8	Load distance, centre of drive axle to fork	x	mm	351,5 <sup>1)</sup>	365,5 <sup>1)</sup>	365,5 <sup>1)</sup>
	1.9	Wheelbase	y	mm	1478	1478	1478
Weight	2.1	Service weight		kg	3104 <sup>2)</sup>	3333 <sup>2)</sup>	3483 <sup>2)</sup>
	2.2	Axle load, with load, front/rear		kg	4118/586	4545/588	4586/627
	2.3	Axle load, without load, front/rear		kg	1596/1508	1691/1642	1685/1798
3.1	Tyres: Cushion (C), Pneumatic (PN), Superelastic (SE)				C/SE	C/SE	C/SE
	3.2	Tyre size, front			432x152/18x7-8	457x178 / 200/50-10	457x178 / 200/50-10

Tyre	3.3	Tyre size, rear			381x127/140/55-9	381x127/140/55-9	381x127/140/55-9
	3.5	Wheels, number front/rear (x=driven wheels)			2x/2	2x/2	2x/2
	3.6	Track width, front		mm	889/901 <sup>3)</sup>	879/916 <sup>3)</sup>	879/916 <sup>3)</sup>
	3.7	Track width, rear	b <sub>10</sub>	mm	192/185 <sup>3)</sup>	192/185 <sup>3)</sup>	192/185 <sup>3)</sup>
Dimensio	4.1	Tilt of mast/fork carriage forward/backward	a/b	deg	5/7 <sup>4)</sup>	5/7 <sup>4)</sup>	5/7 <sup>4)</sup>
	4.2	Height, mast lowered	h <sub>1</sub>	mm	2160	2160	2160
	4.3	Free lift	h <sub>2</sub>	mm	80	80	80
	4.4	Lift	h <sub>3</sub>	mm	3170	3170	3170
		Lift height		mm	3205	3205	3205
	4.5	Height, mast extended	h <sub>23</sub> h <sub>4</sub>	mm	3720	3720	3720
	4.7	Height of overhead guard (cab)	h <sub>6</sub>	mm	2050	2050	2050
	4.8	Seat height/stand height	h <sub>7</sub>	mm	937	937	937
	4.12	Coupling height		mm	500	500	500
	4.19	Overall length	h <sub>10</sub>	mm	2994	3008	3033
	4.20	Length to face of forks	l <sub>1</sub>	mm	1994	2008	2033
	4.21	Overall width	l <sub>2</sub> b <sub>1</sub>	mm	1050	1057/1109	1057/1109
	4.22	Fork dimensions	s/e/l	mm	35/100/1000	35/120/1000	35/120/1000
	4.23	Fork carriage DIN 15 173, class/type A, B			II A	II A	II A
	4.24	Fork-carriage width	b <sub>3</sub>	mm	920	920	920
	4.31	Ground clearance, with load, below mast	m <sub>1</sub>	mm	100	100	100
	4.32	Ground clearance, centre of wheelbase	m <sub>2</sub>	mm	90	90	90
	4.33	Aisle width for pallets 1000 x 1200 crossways		mm	3321	3334	3359
	4.34	Aisle width for pallets 800 x 1200 lengthways	A <sub>st</sub> A <sub>st</sub>	mm	3444	3458	3483
	4.35	Turning radius	W <sub>a</sub>	mm	1642,5	1642,5	1667,5
4.36	Internal turning radius	b <sub>13</sub>	mm	0	0	0	
	5.1	Travel speed, with/without load		km/h	16,0/16,0	16,0/16,0	16,0/16,0
	5.2	Lift speed, with/without load		m/s	0,40/0,60	0,40/0,60	0,40/0,60
	5.3	Lowering speed, with/without load		m/s	0,55/0,50	0,55/0,50	0,55/0,50

1) +34 mm with integrated sideshift

2) includes battery weight

3) C/ SE

4) 5° backward with front windshield

Performance data and dimensions are nominal and subject to tolerances.

Specifications are subject to change without notice.

Please obtain the latest specifications before contracting products.



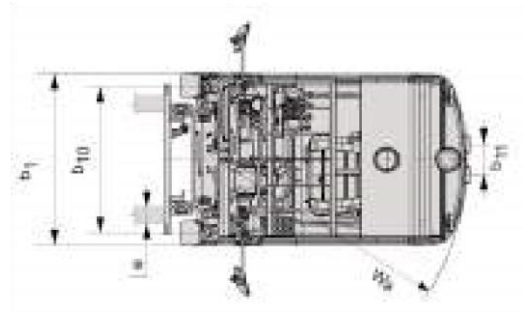
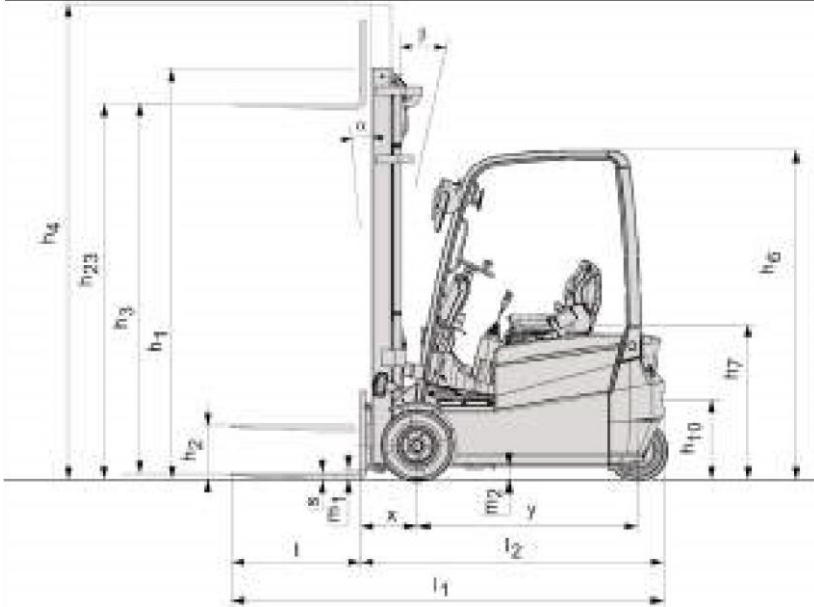
# Mast dimensions and rated capacities

# BT cargo

Performance d	5.5	Drawbar pull, with/without load		N	5200/5400	5200/5400	5200/5400
	5.6	Max. drawbar pull, with/without load		N	14450/15000	14450/15000	14450/15000
	5.7	Gradeability, with/without load		%	13,5/16,0	13,0/15,5	13,0/15,5
	5.8	Max. gradeability, with/without load		%	27/31	25/30	23/29
	5.10	Service brake			Electric/ Hydraulic	Electric/ Hydraulic	Electric/ Hydraulic
Electric mo	6.1	Drive motor rating S2 60 min		kW	6x2	6x2	6x2
	6.2	Lift motor rating S3 15%		kW	15,8	15,8	15,8
	6.3	Battery acc. to DIN 43 531/35/36 A, B, C, no			43 531 A	43 531 A	43 531 A
	6.4	Battery voltage, nominal capacity K <sub>s</sub>		V/Ah	48/690-750	48/690-750	48/690-750
	6.5	Battery weight		kg	1013	1013	1013
Other	8.1	Type of drive control			Inverter MOSFET	Inverter MOSFET	Inverter MOSFET
	8.2	Operating pressure for attachments		bar	140	140	140
	8.3	Oil volume for attachments		l/min			
	8.4	Sound level at the driver's ear according to EN 12 053		dB(A)			

Model			Duplex NFL								Duplex FFL					Triplex FFL									
C3E160/0 L/	Lift height	h <sub>23</sub>	300	320	350	370	400	420	450	470	500	300	320	350	370	400	400	430	450	470	500	560	650	700	750
	Lift	h <sub>3</sub>	297	317	347	367	397	417	447	467	497	297	317	347	367	397	397	427	447	467	497	557	647	697	747
	Height, mast lowered	h <sub>1</sub>	206	216	231	241	256	266	281	291	311	206	216	241	241	256	189	199	206	216	226	246	281	301	321
	Height, mast extended	h <sub>4</sub>	352	372	402	422	452	472	502	522	555	355	375	405	425	455	455	485	505	525	555	615	705	755	805
	Free lift	h <sub>2</sub>	80	80	80	80	80	80	80	80	80	148	158	173	183	198	131	141	148	158	168	188	223	243	263
Superelastic / Cushion tyre			Duplex NFL								Duplex FFL					Triplex FFL									
C3E160	Tilt range, forward	de g	5	5	5	5	5	5	5	5	5	5	5	5	5	5	5	5	5	5	5	5	5	5	5
	Tilt range, backward	de g	7	7	7	7	7	7	7	7	7	7	7	7	7	7	7	7	7	7	7	7	7	7	7
	Load capacity at 500 mm LC	kg	160	160	160	160	160	155	150	145	145	160	160	160	160	160	150	150	150	145	145	130	105	750	650
C3E180	Tilt range, forward	de g	5	5	5	5	5	5	5	5	5	5	5	5	5	5	5	5	5	5	5	5	5	5	5
	Tilt range, backward	de g	7	7	7	7	7	7	7	7	7	7	7	7	7	7	7	7	7	7	7	7	7	7	7

	Load capacity at 500 mm LC	kg	1800	1800	1800	1800	1800	1750	1700	1650	1550	1800	1800	1800	1800	1800	1700	1650	1650	1650	1550	1400	1050	800	700
C3E20	Tilt range, forward	deg	5	5	5	5	5	5	5	5	5	5	5	5	5	5	5	5	5	5	5	5	5	5	5
	Tilt range, backward	deg	7	7	7	7	7	7	7	7	7	7	7	7	7	7	7	7	7	7	7	7	7	7	7
	Load capacity at 500 mm LC	kg	2000	2000	2000	2000	2000	1900	1850	1800	1700	2000	2000	2000	2000	2000	1900	1850	1850	1800	1700	1500	1100	750	700



1) +34 mm with integrated sideshift

2) includes battery weight

3) C/ SE

4) 5° backward with front windshield

Performance data and dimensions are nominal and subject to tolerances. Specifications are subject to change without notice.

Please obtain the latest specifications before contracting products.

## Standard equipment:

- AC technology
  - Duplex NFL (height: 3170 mm)
  - Long forks (length: 1000 mm)
  - Forkbar (length: 920 mm)
  - 3 way valve
- 
- Driver side levers
  - Tilt steering column
  - Multifunction display
  - Programmable driving performance
  - PIN code access
  - Electric parking brake
  - Wet disc brakes
  - Superelastic tyres

TP-Technical Publications, Sweden — 745570-040, version 2, 1008 — C3E150-200

