

Baoli



- Ergonomically designed spacious operators compartment with access from both sides
- Strict environmental protection design
- Streamlined frame
- Reliable forceps-disk type brake

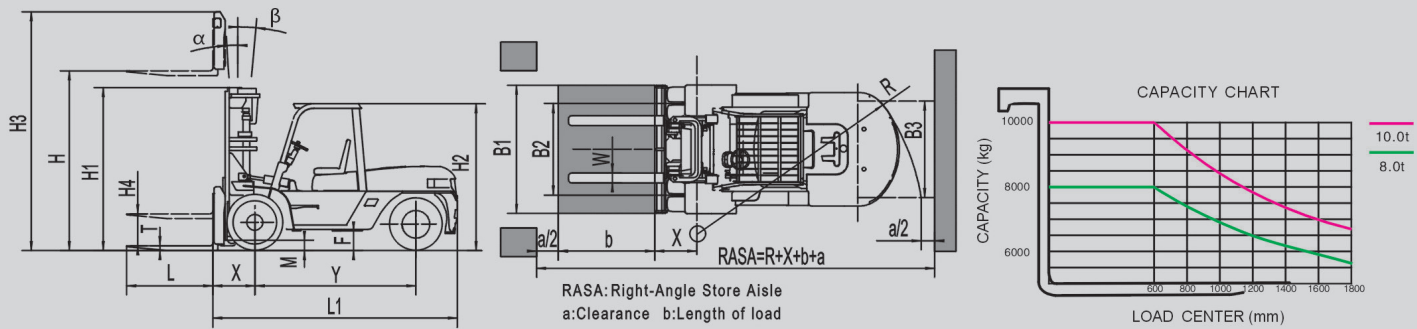


CPCD 80
CPCD 100

8.0-10.0 t

Internal Combustion Counterbalanced

Forklift truck



Specification

General		Manufacturer		KION Baoli					
		Model		CPCD80-W		CPCD100-W			
Power type		Diesel							
Rated capacity		kg	8000		10000				
Load center		mm	600						
Dimension		Lift height	H	3000					
		Free lift height	H4	205		210			
		Fork size	L×W×T	1500×160×75		1500×160×80			
		Fork outside spread	Min./Max.	320 / 2015		420 / 2144			
		Mast tilt angle	α/β	6 / 12					
		Front overhang	X	700		733			
		Overall dimension	Length to fork face	L1	3940				4258
			Overall width	B1	2245				
			Mast lowered height	H1	2695		2845		
			Mast extended height	H3	4445		4307		
	Overhead guard height	H2	2565						
Turning radius		R	3700		3900				
Performance		no load/full load	Travel speed	km/h		28 / 24		28 / 22	
			Lift speed	mm/sec	480 / 350	410 / 350	390 / 280	390 / 300	
		Max. gradeability	%	20					
Service weight		kg	11080		12860				
Chassis		Tyre	Front	9.00-20-14PR					
			Rear	9.00-20-14PR					
		Tread	Front	B2	mm		1600		
			Rear	B3	mm		1700		
		Wheelbase	Y	mm		2500		2800	
Min. ground clearance (no load/full load)	Mast	M	mm				245 / 205		
	Frame	F	mm				343 / 323		
Battery		V/AH	2×12 / 100						
Drive units & control		Engine	Model	ISUZU 6BG1QC-02		ISUZU 6BG1QC-02			
			Rated output	kw/rpm	82.3 / 2000		82.3 / 2000		
			Rated torque	N.m/rpm	416 / 1600		416 / 1600		
			No. of cylinder		6		6		
			Bore×stroke	mm	105×125		105×125		
			Displacement	L	6.494		6.494		
			Fuel tank capacity	L	140		140		
Transmissions	Type	Hydraulic							
	Shift	FWD/BWD	2 / 2		2 / 2				

Linde Material Handling Pty Ltd reserves the right to make any changes or modifications of pictures and specifications without giving previous notice and without incurring any obligation.

NSW Head Office
5 Distillers Place
Huntingwood
NSW 2148
Ph: 02 9831 9500

VIC
897 Wellington Road
Rowville
VIC 3178
Ph: 03 9839 4444

QLD
64 Axis Place
Larapinta
QLD 4110
Ph: 07 3013 5100

WA
15 Milly Court
Malaga
WA 6090
Ph: 08 9209 4800

SA
6 Berger Road
Wingfield
SA 5013
Ph: 08 8360 2900