

ACE

FORKLIFTS

Forklifts

Capacity : 5 tons
Engine Power : 79 bhp.

High Performance & rugged
Forklift Trucks.

ACE INDIA'S LEADING
MOBILE CRANE COMPANY



*Nothing beats an **ACE***



Stiff Boom Cranes



Tractors



Forklifts



Backhoe Loader



Motor Grader



Mobile Cranes (3 - 50 Tons)



Crawler Cranes



Wheeled Loaders



PTR



Mobile Tower Cranes



Vibratory Rollers



Tower Cranes

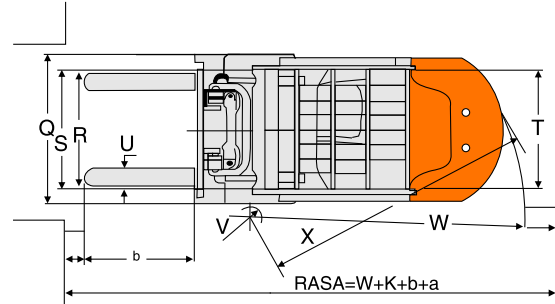
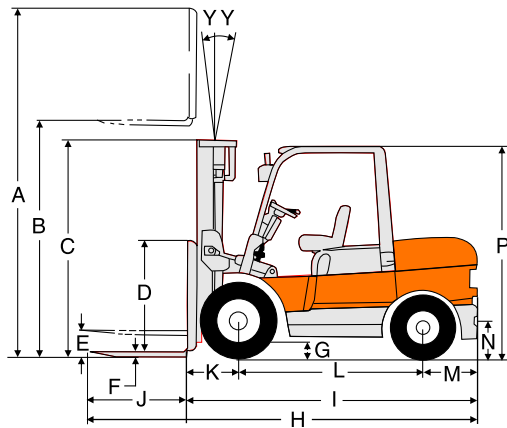


*Nothing beats an **ACE***



SPECIFICATIONS

Model	AF 50D			
Load Capacity	Kg	5000		
Power		Diesel		
Tyres	Front / Rear	Pneumatic		
Wheel (s)	Front / Rear	2 / 2		
Fork Height (std.)	mm	3000		
Fork Size (LxWxT)	mm	1220 x 150 x 60		
Tilt Angle	deg	6° -12°		
Overall length	mm	4330		
Overall Width	mm	1480		
Overall Lowered Height	mm	2250		
Overall Raised Height	mm	4300		
Overhead Guard Clearance	mm	2260		
Turning Radius (Outside)	mm	2900		
Speed (s)	Travel (Fwd / Rvs)	With Load	Km/h	22
		Without Load	Km/h	25
	Lifting	With Load	mm/s	500
		Without Load	mm/s	530
	Lowering	With Load	mm/s	350
		Without Load	mm/s	340
Gradeability	With / Without Load	%	27 / 20	
Total Weight	Kg	6400		
Tyre Sizes	Front	3.00 - 15 - 18PR		
	Rear	7.00 - 12 - 12PR		
Wheel Base	mm	2000		
Tread	Front	mm	1180	
	Rear	mm	1190	
Brake (s)	Service	Hydraulic-Foot Pedal		
	Parking	Mechanical-Hand Lever		
Battery	Voltage / Capacity	V / AH	2 x 12 / 80	
Engine	Model	4108		
	Rated Horsepower	bhp/r.p.m	79 bhp@ 2400	
	Rated Torque	N.m(Kg.m)/r.p.m	270 / 1500	
	Number of Cylinders	4		
	Displacement	Ltrs.	4.68	
	Fuel Tank Capacity	Ltrs.	75	
Transmission	Number of Speeds	2 (Power Shift)		
Operating Pressure	For Attachment	Kg / cm ²	195	



STANDARD DIMENSIONS

Model	AF 50D
	mm
A. Overall height fork raised	4300
B. Fork height (std.)	3000
C. Overall height fork lowered	2250
D. Backrest height (from upper face of forks)	1200
E. Free lift	150
F. Fork thickness	60
G. Min. clearance (bottom of mast)	150
H. Overall length (with forks)	4330
I. Overall length (without forks)	3110
J. Fork length	1220
K. Fork overhang	560
L. Wheel base	2000
M. Rear overhang	550
N. Coupler height	390
P. Overall height (overhead guard)	2260
Q. Overall width	1480
R. Lateral fork adjustment	300-1380
S. Tread (front)	1180
T. Tread (rear)	1190
U. Fork width	150
V. Inside turning	220
W. Outside turning radius	2900
X. Min. intersecting aisle	2960
Y. Tilting angles	6° - 12°

RASA = Right Angle Stacking Aisle, a = Clearance, b = Load Length



FORKLIFTS

Forklifts

STANDARD EQUIPMENT

- Wide view mast
- Load backrest
- Standard forks
- Power steering
- Retaining rollers
- Overhead guard
- Standard seat (Adjustable)
- Drawbar pin
- Air cleaner
- Parking brake lever
- Lift, tilt levers
- Dipstick for TC oil
- Return hydraulic filter
- TC oil filter
- Lift Circuit cut-off valve
- Overhead air intake
- Radiator reservoir
- Tilt adjustable steering wheel
- Turn indicator Lights
- Hour meter
- Water temperature meter
- Fuel meter
- Engine oil pressure warning indicator
- Electric charge indicator
- Halogen head lights
- Rear combination lights
- Rear view mirrors
- Reverse Buzzer
- Electric horn
- Neutral safety switch (TC)
- Rubber floor mat
- Tool kit

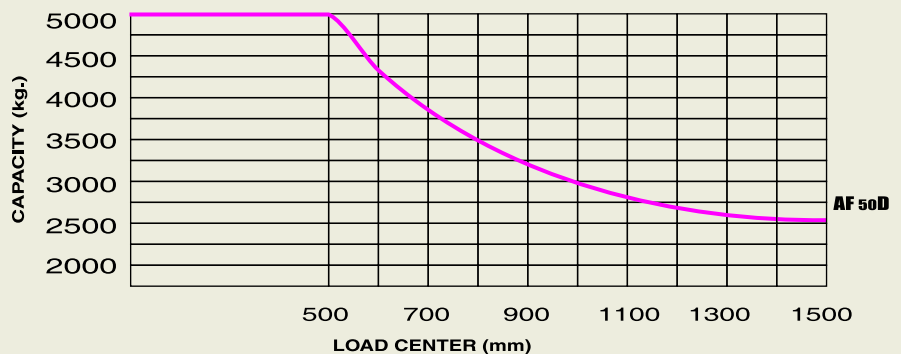
OPTIONAL EQUIPMENT

- Solid tyres
- All weather steel cabin
- Spark arrester
- Front dual wheels
- Fire extinguisher
- Water muffler

OPTIONAL ATTACHMENTS

- Different Mast type (Refer Mast Details)
- Fork extensions
- Side shifter
- Hinged forks with bucket
- Bale clamp
- Rotating forks
- Crane attachment
- Ram attachment
- Drum(s) handling attachment

LOAD CHART



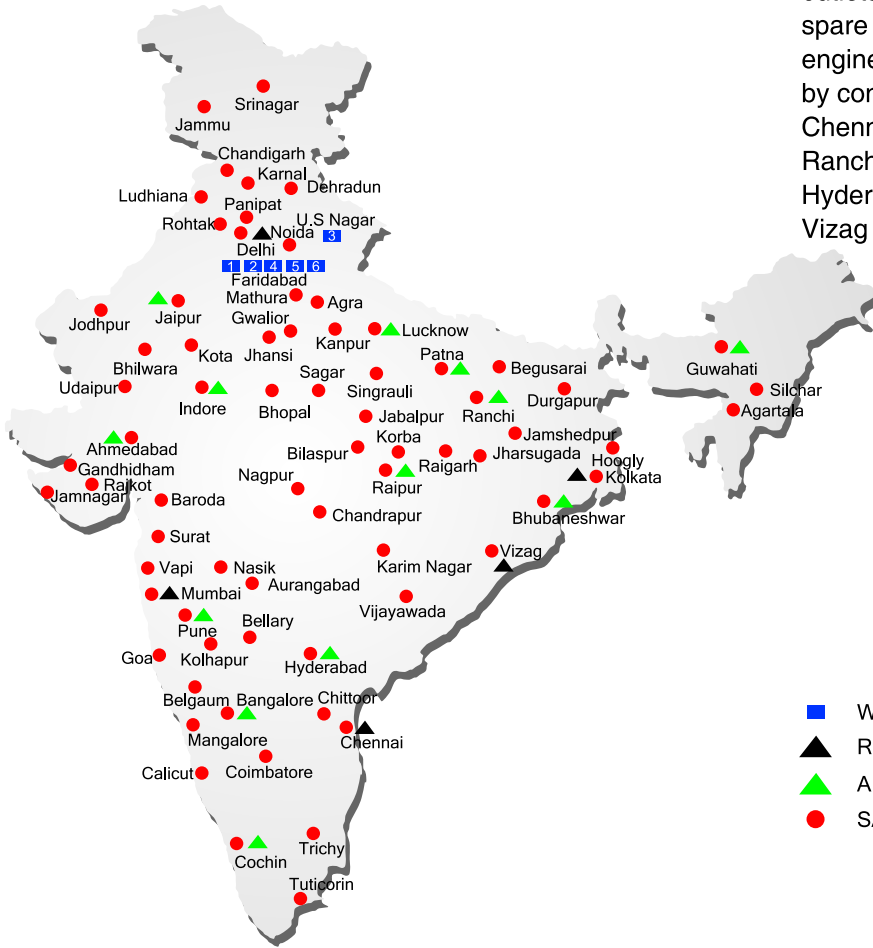
Mast Details (AF 50D)

Mast Type	Fork height (mm)	Load capacity (kg)	Overall height (lowered) (mm)	Free Lift (mm)
Double Mast 3 mtrs. (std)	3000	5000	2250	150
Double Mast * 3 mtrs. (full free)	3000	5000	2250	1560
Triple Mast * 4.5 mtrs. (full free)	4500	4500	2300	1620
Triple Mast 6.0 mtrs.	6000	2500 4000 (dual drive)	3000	2190

* Suitable for container stuffing



ALL INDIA NETWORK



SPARE PARTS & SERVICE

ACE has all India Sales and Service network operating out of all the major cities. These outlets are fully equipped to provide genuine spare parts and services by company trained engineers. These outlets are further supported by company officials based at Delhi, Mumbai, Chennai, Kolkatta, Ahmedabad, Pune, Jaipur, Ranchi, Raipur, Indore, Bhubneshwar, Lucknow, Hyderabad, Bangalore, Guwahati, Patna, Vizag & Cochin

- WORKS
- ▲ REGIONAL OFFICES
- ▲ AREA OFFICES
- SALES AND SERVICE DEALERS



Action Construction Equipment Ltd.

Contact:



ACE / Original equipment manufacturer reserves the right to alter any specifications without prior notice. Dimensions, weights & capacities mentioned herein are variable by ±5%. Accessories shown are not part of the Standard Equipment.

MARKETING H.Q.

5 th Floor, "TDI Center", Jasola , New Delhi - 25
Ph.: +91-11-40549900 (30 Lines) Fax : 40549922
E-mail: marketing@ace-cranes.com

FORKLIFT DIVISION HQ/DELHI OFFICE

7, Pocket-H, IIInd Floor, L.S.C., Sarita Vihar, New Delhi - 76
Ph.: +91-11-49390000 (30 Lines) Fax: 49390099
E-mail: forklifts@ace-cranes.com, forkliftsnorth@ace-cranes.com

MUMBAI OFFICE

401, Shrikant Chamber, S. T. Road, Next to R.K. Studio, Chembur, Mumbai - 400 071
Telefax: +91-22-25207068
E-mail: acemumbai@ace-cranes.com, forkliftswest@ace-cranes.com

KOLKATA OFFICE

"Fomra Towers" 84-A, Second Floor, AJC Bose Road, Kolkatta - 14. Ph. 033-32578307, Telefax: 22274428
E-mail: acekolkatta@ace-cranes.com, forkliftseast@ace-cranes.com

CHENNAI OFFICE

1st Floor, "Alsa Regency", 165, Eldams Road, Alwar Pet, Chennai - 18
Ph.: 044 - 24314253 Telefax : 24314252
E-mail: acechennai@ace-cranes.com, forkliftssouth@ace-cranes.com

