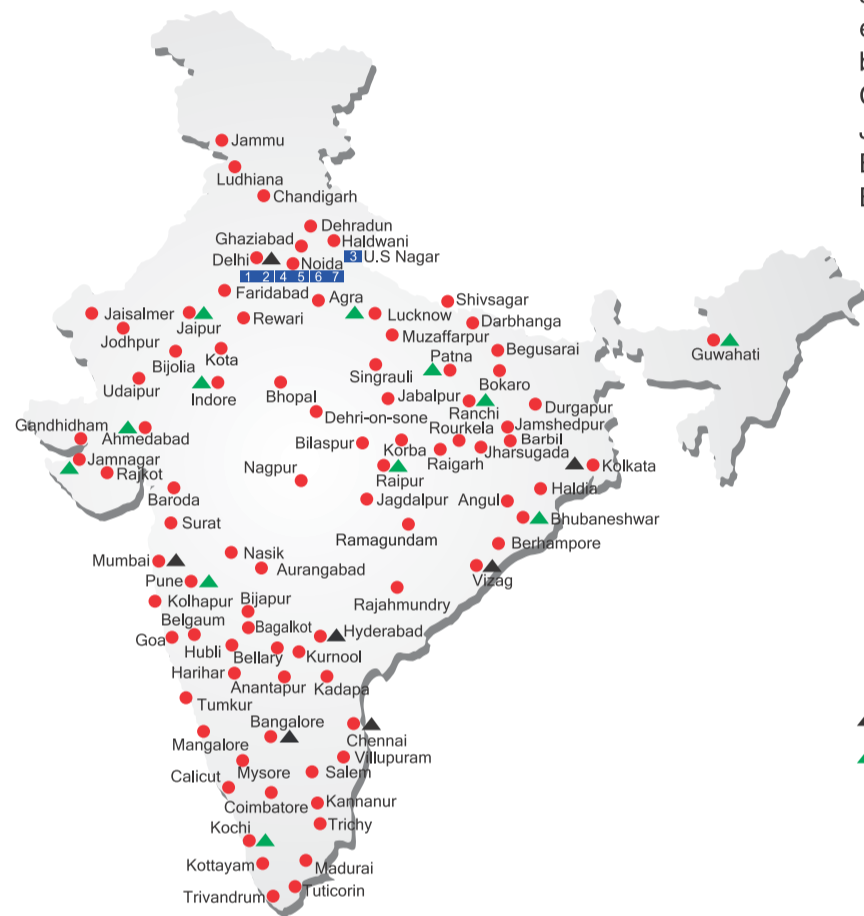


ALL INDIA NETWORK



SPARE PARTS & SERVICE

ACE has all India Sales and Service network operating out of all the major cities. These outlets are fully equipped to provide genuine spare parts and services by company trained engineers. These outlets are further supported by company officials based at Delhi, Mumbai, Chennai, Kolkatta, Ahmedabad, Surat, Pune, Jaipur, Chandigarh, Ranchi, Raipur, Indore, Bhubneshwar, Lucknow, Jamnagar, Hyderabad, Bangalore, Guwahati, Patna, Vizag & Cochin.

CUSTOMER CARE
TOLL FREE No
1800 1800 004

- WORKS
- ▲ REGIONAL OFFICES
- ▲ AREA OFFICES
- SALES AND SERVICE DEALERS

MARKETING H.Q.

5th Floor, "TDI Center", Jasola, New Delhi - 25
Ph.: +91-11-40549900 (30 Lines), Fax: 40549922
E-mail: marketing@ace-cranes.com, works@ace-cranes.com

REGISTERED OFFICE

Dudhola Link Road, Dudhola, Palwal-121102, Haryana
Ph.: +91-1275-280111, Fax: +91-1275-280133
CIN : L74899HR1995PLC053860

MUMBAI OFFICE

31, "Kalpataru Court", Chembur, Mumbai - 74
Ph.: +91-22-25206846, 25207070, Telefax: 25207071
E-mail: acemumbai@ace-cranes.com

KOLKATA OFFICE

"Forma Towers" 84-A, Second Floor, A/J Bose Road, Kolkata - 14, Ph.: +91-33-65012050
E-mail: acekolkata@ace-cranes.com

CHENNAI OFFICE

1st Floor, "Alsa Regency", 165, Eldams Road, Alwar Pet, Chennai - 18
Ph.: +91-44-24314253, Telefax: 24314252
E-mail: acechennai@ace-cranes.com

ACE

FORKLIFTS

Capacity : 4-5 tons
High Performance & rugged
Forklift Trucks.

ACE INDIA'S NO. 1
MOBILE & TOWER CRANE CO.



Nothing beats an **ACE**

www.ace-cranes.com

AF-50D-001116


ACE



Nothing beats an **ACE**



ACE
Action Construction Equipment Ltd.

Contact: 





SPECIFICATIONS

Model	Unit	AF 40D	AF 50D		
Load Capacity	Kg	4000	5000		
Load Center	mm	500	600		
Power		Diesel			
Tyres	Front / Rear	mm Pneumatic/Solid			
Wheel (s)	Front / Rear (SD/DD) #	mm 2/2 or 4/2			
Fork Height (std.)	mm	3000			
Fork Size (LxWxT)	mm	1070 x 150 x 50	1220 x 150 x 55		
Transmission	Number of Speeds - Fwd / Rev	1/1 (Automatic)	2/1 (Automatic) 2 / 2 (Manual Shift)		
Speed (s)	Travel (Fwd / Rev)	With Load	Km/h 19.5	22	
		Without Load	Km/h 20	24	
	Lifting	With Load	mm/Sec 570	190	
		Without Load	mm/Sec 520	205	
Lowering	With Load	mm/Sec 300	450		
	Without Load	mm/Sec 500	440		
Gradeability (Laden/Unladen)	%	19/20	20/22		
Total Weight	Kg	5410	7560	8000	
Tyre Sizes	Front	2.50 – 16 -16PR		3.00 – 15	
	Rear	6.50 – 10 – 10PR		7.00 – 12	
Wheel Base	mm	1900	2000	2100	
Brake (s)	Service	Hydraulic-Foot Pedal			
	Parking	Mechanical-Hand Lever			
Battery	Voltage / Capacity	V / Ah	12 / 70	12 / 88	24 / 140
	Model		A498BPG	4805	4D35G
Engine	Rated Horsepower	bhp/rpm	60 bhp @ 2500	80 bhp @ 2300	65 bhp @ 2300
	Rated Torque	Nm(Kgm)/rpm	198 / 1800	300 / 1500	230 / 1600-1800
	Number of Cylinders		4		
	Displacement	l	3.17	3.53	3.50
	Fuel Tank Capacity	l	65	75	75
Operating Pressure	For Attachment	Kg / cm ² (Bar)	175	195	195

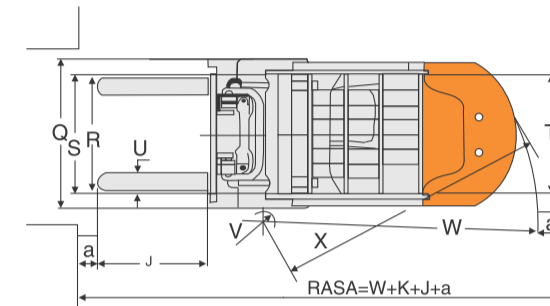
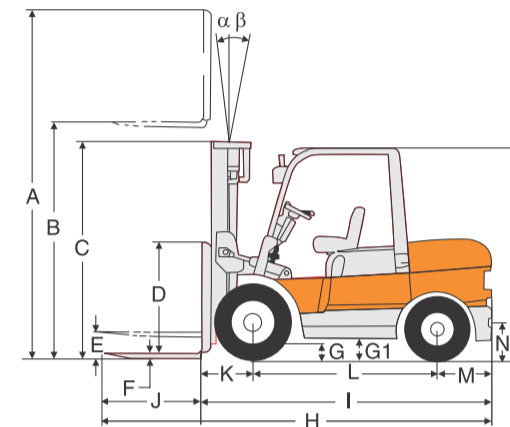
Mast Details

Mast type	Fork height (mm)	Load capacity (kg)		Overall height lowered (mm)		Free lift (mm) (Without load backrest)		Tilt Angle (α/β)	
		AF40D	AF50D	AF40D	AF50D	AF40D	AF50D	AF40D	AF50D
Double Mast 3 mtrs. (STD)	3000	4000	5000	2070	2200	150	150	6/12	
Double Mast 3 mtrs. (FFL) *	3000	4000	5000	2100	2210	1550	1550	6/12	
Double Mast 3.6 mtrs. (STD)	3600	4000	5000	2400	2525	150	150	6/12	
Triple Mast 4.5 mtrs (FFL) *	4500	3200/3500 # (SD/DD)	4200/4500 # (SD/DD)	2100	2225	1550	1550	6/6	
Triple Mast 6.0 mtrs (FFL)	6000	2200/3200 # (SD/DD)	2500/4000 # (SD/DD)	2850	2900	1980	1980	3/6	

* Suitable for container stuffing

FFL - Full free lift

#(SD/DD) - Single Drive / Dual Drive



STANDARD DIMENSIONS

Model	AF40D	AF50D	
	Automatic	Automatic	Mechanical
A. Overall height fork raised	4240	5700	5700
B. Max. fork height (Standard Model)	3000		
C. Overall height fork lowered	2070	2200	2200
D. Backrest height (from upper face of forks)	1240	1440	1220
E. Free lift	150	150	150
F. Fork thickness	50	55	55
G. Min. clearance (bottom of mast)	120	125	125
G1. Min. clearance (bottom of chassis)	140	165	165
H. Overall length (with forks)	3930	4375	4475
I. Overall length (without forks)	2855	3155	3255
J. Fork length	1070	1220	1220
K. Front overhang	500	570	570
L. Wheel base	1900	2000	2100
M. Rear overhang	450	580	580
N. Coupler height	335	400	400
P. Overall height (overhead guard)	2100	2250	2250
Q. Overall width (SD/DD)	1420/1890	1480/1990	1480/1990
R. Lateral fork adjustment (SD/DD)	300~1300/300~1900	300~1380/300~2000	300~1380/300~2000
S. Trade (front) (SD/DD)	1160/1630	1175/1730	1175/1730
T. Trade (Rear)	1170	1200	1200
U. Fork width	150	150	150
V. Inside turning (SD/DD)	600/900	700/1000	700/1000
W. Outside turning Radius (SD/DD)	2770/3100	2800/3100	2900/3200
X. Min. intersecting aisle	2830	3000	3200

* All dimensions are in mm.

* RASA = Right Angle Stacking Aisle, a = Operator Clearance, J = Load Length

FORKLIFTS

STANDARD EQUIPMENT

- Wide view mast
- Load backrest
- Standard forks
- Power steering
- Retaining rollers
- Overhead guard
- Standard seat (Adjustable)
- Drawbar pin
- Air cleaner
- Parking brake lever
- Lift, tilt levers
- Dipstick for TC oil
- Return hydraulic filter
- TC oil filter
- Lift Circuit cut-off valve
- Cyclone type precleaner
- Radiator reservoir
- Tilt adjustable steering wheel
- Turn indicator Lights
- Hour meter
- Water temperature meter
- Fuel meter
- Engine oil pressure warning indicator
- Electric charge indicator
- Halogen head lights
- Rear combination lights
- Rear view mirrors
- Reverse Buzzer
- Electric horn
- Neutral safety switch (TC)
- Rubber floor mat
- Tool kit

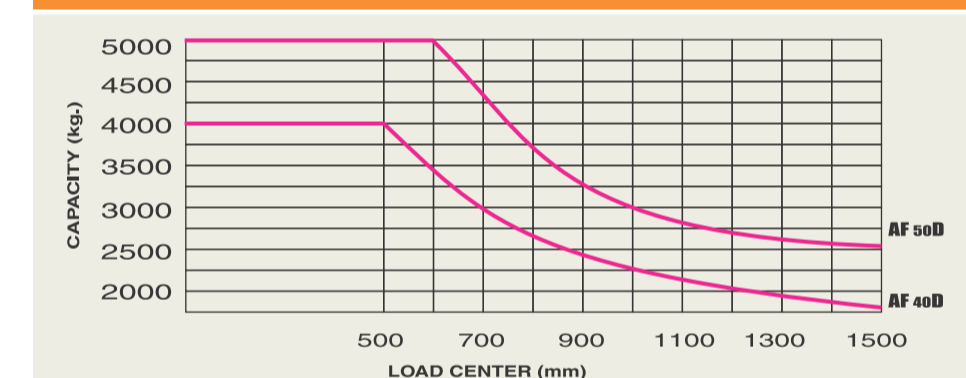
OPTIONAL EQUIPMENT

- Solid tyres
- All weather steel cabin
- Spark arrester
- Front dual wheels
- Fire extinguisher
- Water muffler

OPTIONAL ATTACHMENTS

- Different Mast type (Refer Mast Details)
- Fork extensions
- Side shifter
- Hinged forks with bucket
- Bale clamp
- Rotating forks
- Crane attachment
- Ram attachment
- Drum(s) handling attachment

LOAD CHART



Attachments

