



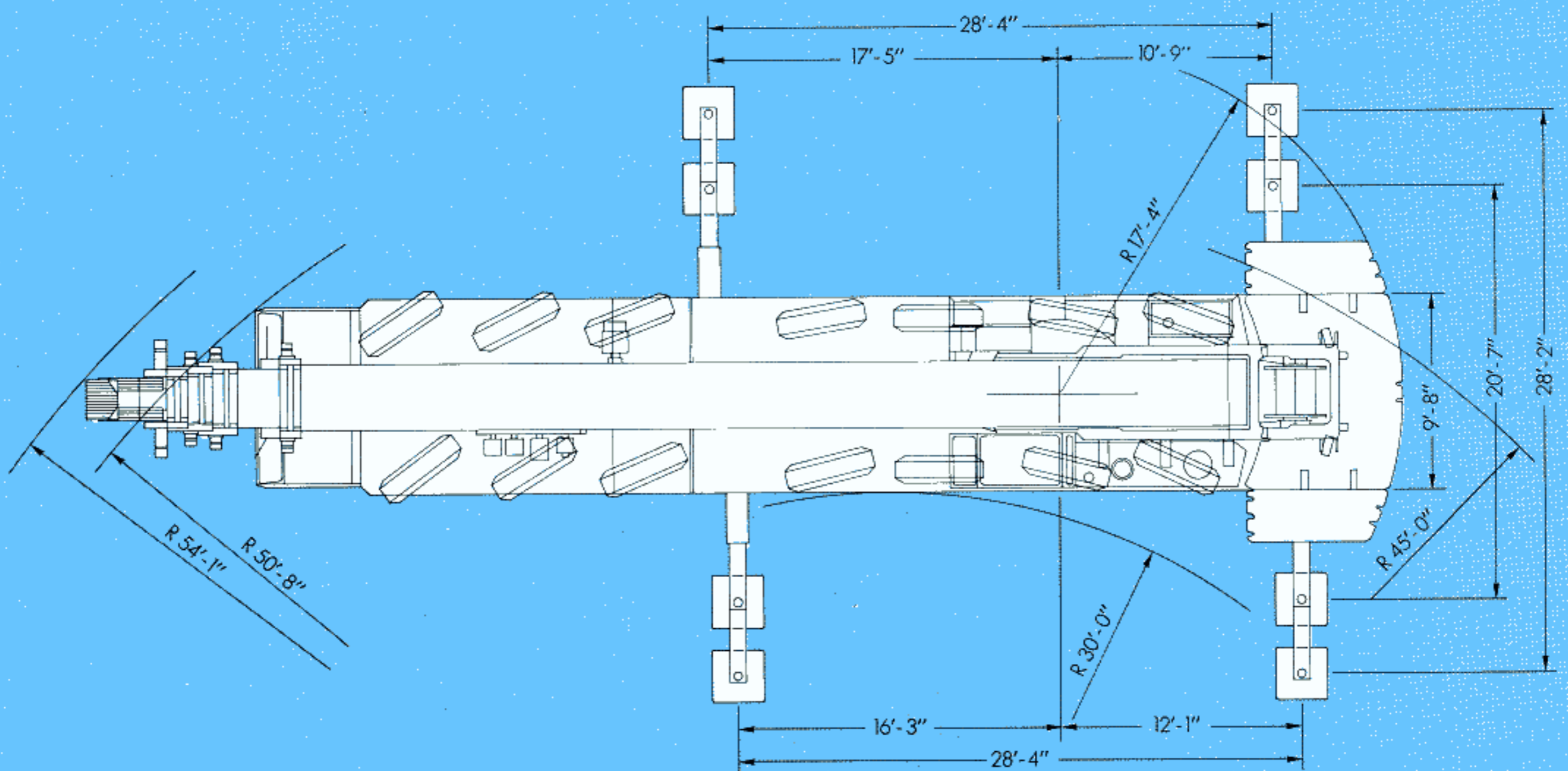
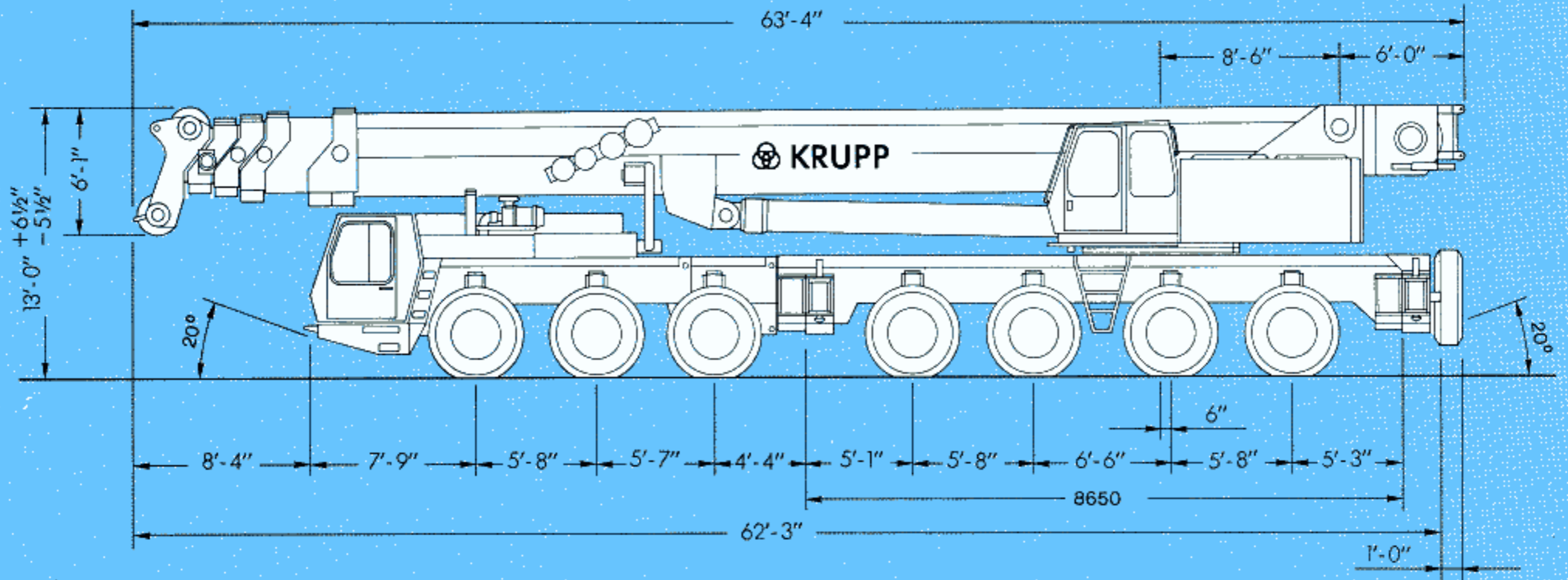
KRUPP

**300 ton Capacity
All-Terrain-Crane**



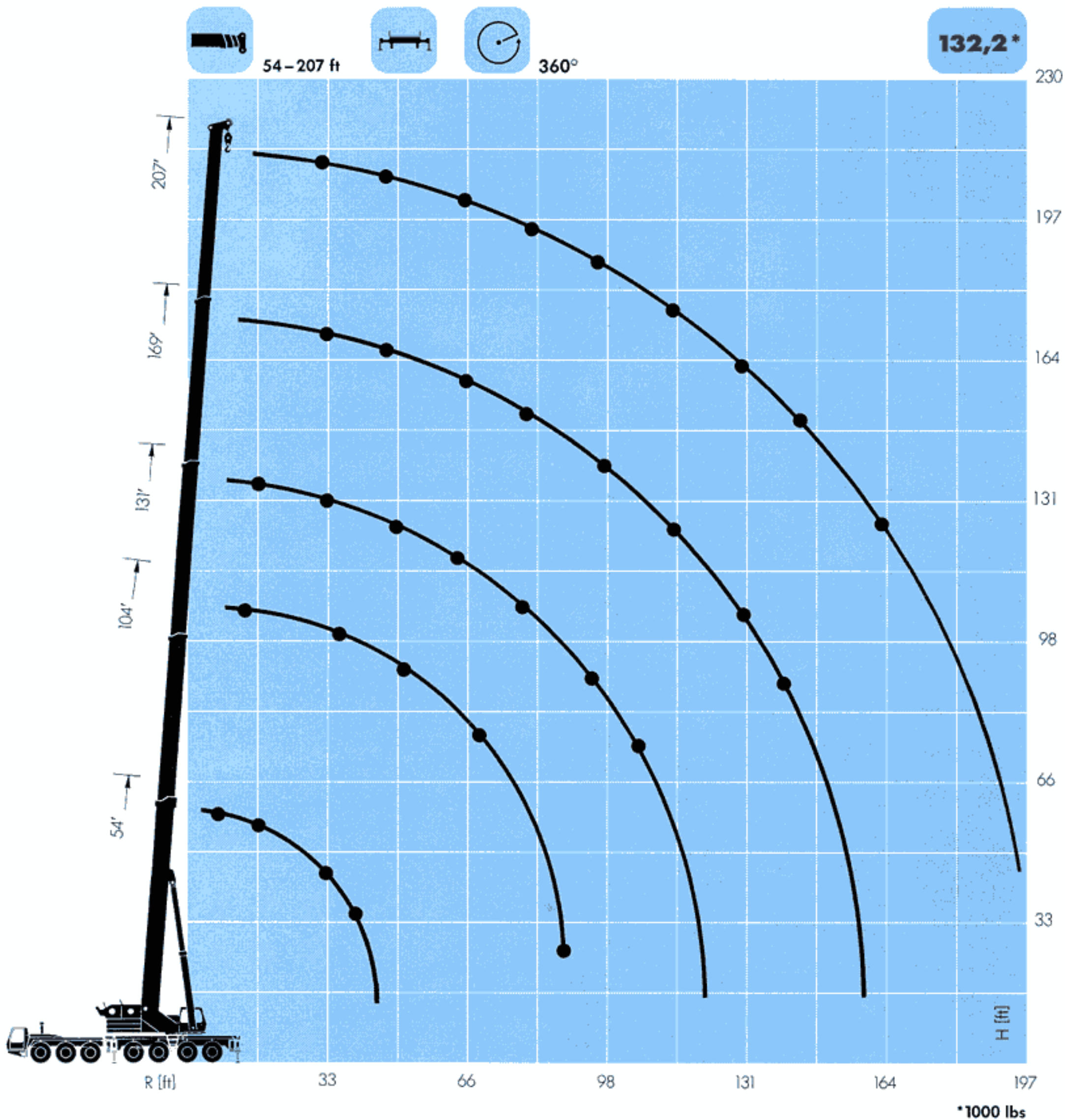
KMK 7300

Dimensions



Hook elevation diagram

Main boom



Main boom

Lifting capacities in 1000 lbs



54 – 207 ft



360°

Counterweight **176*** lbs

Radius ft	Boom length							Radius ft	
	54 ft*	54 ft	104 ft	131 ft	169 ft	169 ft	207 ft		
8	600.0							8	
10	482.0	388.1						10	
15	386.6	312.6	187.0					15	
20	300.3	254.4	153.0	135.2				20	
25	238.9	213.6	129.0	122.2	50.1	72.4		25	
30	195.7	182.2	111.7	110.7	48.3	67.7	43.7	30	
35	164.6	158.0	99.7	100.6	46.5	63.3	43.7	35	
40	140.2	138.4	91.0	91.6	44.5	59.0	41.8	40	
45			84.5	83.8	42.5	55.1	39.5	45	
50			79.0	77.0	40.4	51.3	37.4	50	
55			73.8	71.0	38.4	47.7	35.3	55	
60			68.3	65.8	36.3	44.4	33.4	60	
65			62.3	61.2	34.4	41.2	31.5	65	
70			56.1	57.1	32.5	38.3	29.8	70	
75			49.9	53.5	30.6	35.5	28.1	75	
80			44.6	48.3	28.9	32.9	26.5	80	
85			40.9	42.9	27.3	30.5	25.1	85	
90			40.1	37.9	25.8	28.2	23.7	90	
95				33.4	24.4	26.1	22.4	95	
100				29.5	23.1	24.3	21.2	100	
105				25.8	22.0	22.5	20.1	105	
110				22.5	21.0	20.9	19.1	110	
115				19.5	20.1	19.5	18.2	115	
120					19.4	18.2	17.3	120	
125					18.7	17.1	16.5	125	
130					18.1	16.1	15.7	130	
135					17.7	14.8	15.0	135	
140					17.3	12.8	14.4	140	
145					16.9	10.9	13.7	145	
150					16.6	9.2	13.2	150	
155							12.6	155	
160							11.8	160	
165							10.4	165	
170							9.1	170	
T1	0	0	50	100	0	100	100	T1	
T2	0	0	80	100	100	100	100	T2	
% T3	0	0	0	0	100	100	100	T3	%
T4	0	0	0	0	100	0	100	T4	

*over rear only, 28' 4" x 20' 8" outrigger base

*1000 lbs



Main boom

Lifting capacities in 1000 lbs



54–207 ft



360°

Counterweight **132,2*** lbs

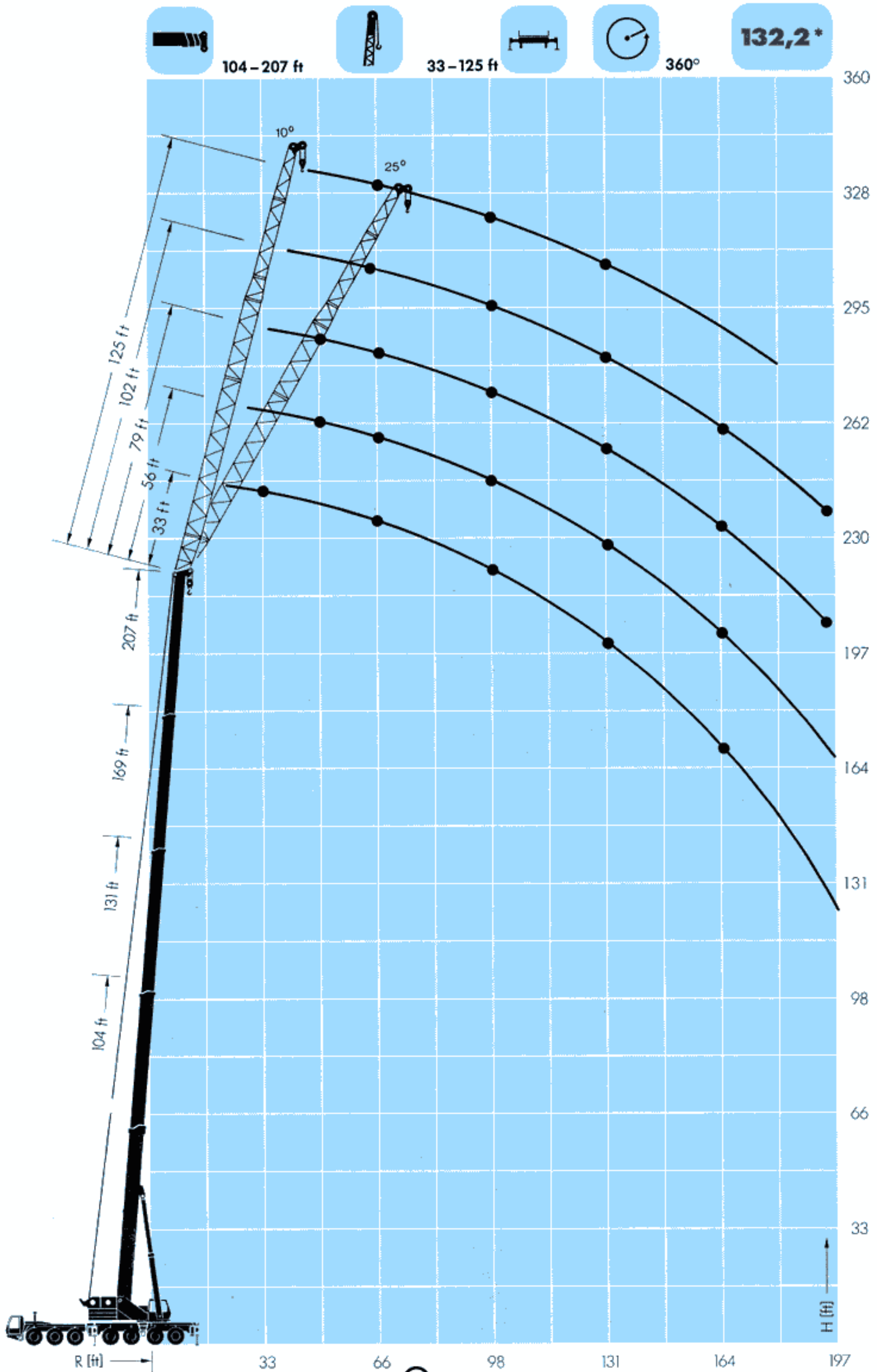
Radius		Boom length						Radius		
		54 ft*	54 ft	104 ft	131 ft	169 ft	169 ft			207 ft
ft									ft	
8		600.0							8	
10		482.0	388.1						10	
15		375.1	307.4	187.0					15	
20		279.4	250.1	153.0	135.2				20	
25		221.8	209.9	129.0	122.2	50.1	72.4		25	
30		181.3	179.0	111.7	110.7	48.3	67.7	43.7	30	
35		139.2	151.8	99.7	100.6	46.5	63.3	43.7	35	
40		109.5	127.0	91.0	91.6	44.5	59.0	41.8	40	
45				84.5	83.8	42.5	55.1	39.5	45	
50				79.0	77.0	40.4	51.3	37.4	50	
55				73.8	71.0	38.4	47.7	35.3	55	
60				68.3	65.8	36.3	44.4	33.4	60	
65				60.0	58.2	34.4	41.2	31.5	65	
70				52.9	51.1	32.5	38.3	29.8	70	
75				46.8	44.7	30.6	35.5	28.1	75	
80				41.1	38.9	28.9	32.9	26.5	80	
85				36.1	33.8	27.3	30.5	25.1	85	
90				31.6	29.4	25.8	28.2	23.7	90	
95					25.3	24.4	26.1	22.4	95	
100					21.8	23.1	24.3	21.2	100	
105					18.5	22.0	22.5	20.1	105	
110					15.6	21.0	20.6	19.1	110	
115					12.9	20.1	17.9	18.2	115	
120						19.4	15.4	17.3	120	
125						18.7	13.2	16.5	125	
130						18.1	11.1	15.7	130	
135						17.7	9.1	14.9	135	
140						17.3	7.3	13.2	140	
145						16.4	5.6	11.5	145	
150						15.0	4.1	9.9	150	
155								8.5	155	
160								7.1	160	
165								5.8	165	
170								4.6	170	
	T1	0	0	50	100	0	100	100	T1	
	T2	0	0	80	100	100	100	100	T2	
%	T3	0	0	0	0	100	100	100	T3	%
	T4	0	0	0	0	100	0	100	T4	

*over rear only, 28'4" x 20'8" outrigger base

*1000 lbs

Hook elevation diagram

Lattice extension



Main boom + lattice extension (10° off-set)

Lifting capacities in 1000 lbs



33-125 ft



360°

Counterweight **132,2*** lbs

Radius ft	Main boom 207 ft					Radius ft
	33 ft	56 ft	79 ft	102 ft	125 ft	
40	22.8					40
45	22.3					45
50	21.7	16.0				50
55	21.1	15.5	11.9			55
60	20.5	14.9	11.5	8.2		60
65	19.8	14.4	11.0	7.8		65
70	19.2	13.9	10.6	7.4	5.1	70
75	18.6	13.4	10.2	7.0	4.8	75
80	17.9	13.0	9.8	6.7	4.5	80
85	17.3	12.5	9.5	6.4	4.3	85
90	16.7	12.1	9.1	6.2	4.1	90
95	16.0	11.7	8.8	5.9	3.9	95
100	15.4	11.3	8.5	5.7	3.7	100
105	14.8	10.9	8.2	5.4	3.5	105
110	14.2	10.5	7.9	5.2	3.3	110
115	13.6	10.2	7.6	5.0	3.1	115
120	13.0	9.8	7.3	4.8	3.0	120
125	12.4	9.5	7.0	4.6	2.8	125
130	11.8	9.1	6.8	4.4	2.6	130
135	11.2	8.8	6.5	4.2	2.4	135
140	10.7	8.5	6.3	4.0	2.2	140
145	10.1	8.1	6.1	3.8	2.0	145
150	8.6	7.8	5.9	3.7		150
155	7.0	7.4	5.7	3.5		155
160	5.6	7.1	5.5	3.3		160
165	4.2	6.3	5.3	3.2		165
170	3.0	5.0	5.1	3.0		170
175			5.0	2.9		175
180			4.8	2.7		180
185			3.6	2.6		185
190			2.6	2.6		190
T1	100	100	100	100	100	T1
T2	100	100	100	100	100	T2
%	T3	100	100	100	100	T3 %
	T4	100	100	100	100	T4

Counterweight **88,2*** lbs

Radius ft	Main boom 207 ft					Radius ft
	33 ft	56 ft	79 ft	102 ft	125 ft	
40	22.8					40
45	22.3					45
50	21.7	16.0				50
55	21.1	15.5	11.9			55
60	20.5	14.9	11.5	8.2		60
65	19.8	14.4	11.0	7.8		65
70	19.2	13.9	10.6	7.4	5.1	70
75	18.6	13.4	10.2	7.0	4.8	75
80	17.9	13.0	9.8	6.7	4.5	80
85	17.3	12.5	9.5	6.4	4.3	85
90	16.7	12.1	9.1	6.2	4.1	90
95	16.0	11.7	8.8	5.9	3.9	95
100	15.4	11.3	8.5	5.7	3.7	100
105	14.8	10.9	8.2	5.4	3.5	105
110	14.2	10.5	7.9	5.2	3.3	110
115	12.6	10.2	7.6	5.0	3.1	115
120	10.6	9.8	7.3	4.8	3.0	120
125	8.8	9.5	7.0	4.6	2.8	125
130	7.1	9.1	6.8	4.4	2.6	130
135	5.6	7.7	6.5	4.2	2.4	135
140	4.2	6.2	6.3	4.0	2.2	140
145	2.9	4.9	6.1	3.8	2.0	145
150		3.7	5.7	3.7		150
155		2.5	4.5	3.5		155
160			3.4	3.3		160
165			2.4	3.2		165
170				2.6		170

*1000 lbs

Main boom + lattice extension (25° off-set)

Lifting capacities in 1000 lbs



33-125 ft



360°

Counterweight **132,2*** lbs

Radius ft	Main boom 207 ft					Radius ft
	33 ft	56 ft	79 ft	102 ft	125 ft	
50	18.8					50
55	18.3					55
60	17.7	13.3				60
65	17.2	13.0				65
70	16.6	12.6				70
75	16.0	12.2	7.7			75
80	15.5	11.8	7.4			80
85	15.0	11.5	7.2			85
90	14.4	11.1	6.9	5.3		90
95	13.9	10.7	6.7	5.0	3.2	95
100	13.4	10.4	6.4	4.8	3.0	100
105	12.9	10.0	6.2	4.6	2.9	105
110	12.4	9.7	6.0	4.4	2.7	110
115	11.9	9.3	5.8	4.2	2.6	115
120	11.5	9.0	5.6	4.0	2.5	120
125	11.0	8.7	5.3	3.8	2.4	125
130	10.6	8.3	5.1	3.7	2.3	130
135	10.1	8.0	4.9	3.5	2.2	135
140	9.7	7.7	4.7	3.4	2.2	140
145	9.3	7.4	4.5	3.3	2.1	145
150	8.8	7.1	4.3	3.1	2.0	150
155	8.0	6.8	4.1	3.0	2.0	155
160	6.5	6.5	3.9	2.9		160
165	5.1	6.2	3.7	2.8		165
170	3.7	5.9	3.5	2.6		170
175	2.5	5.2	3.3	2.5		175
180		3.9	3.1	2.4		180
185		2.7	2.9	2.3		185
190			2.7	2.2		190
195			2.5			195
T1	100	100	100	100	100	T1
T2	100	100	100	100	100	T2
T3	100	100	100	100	100	T3
T4	100	100	100	100	100	T4

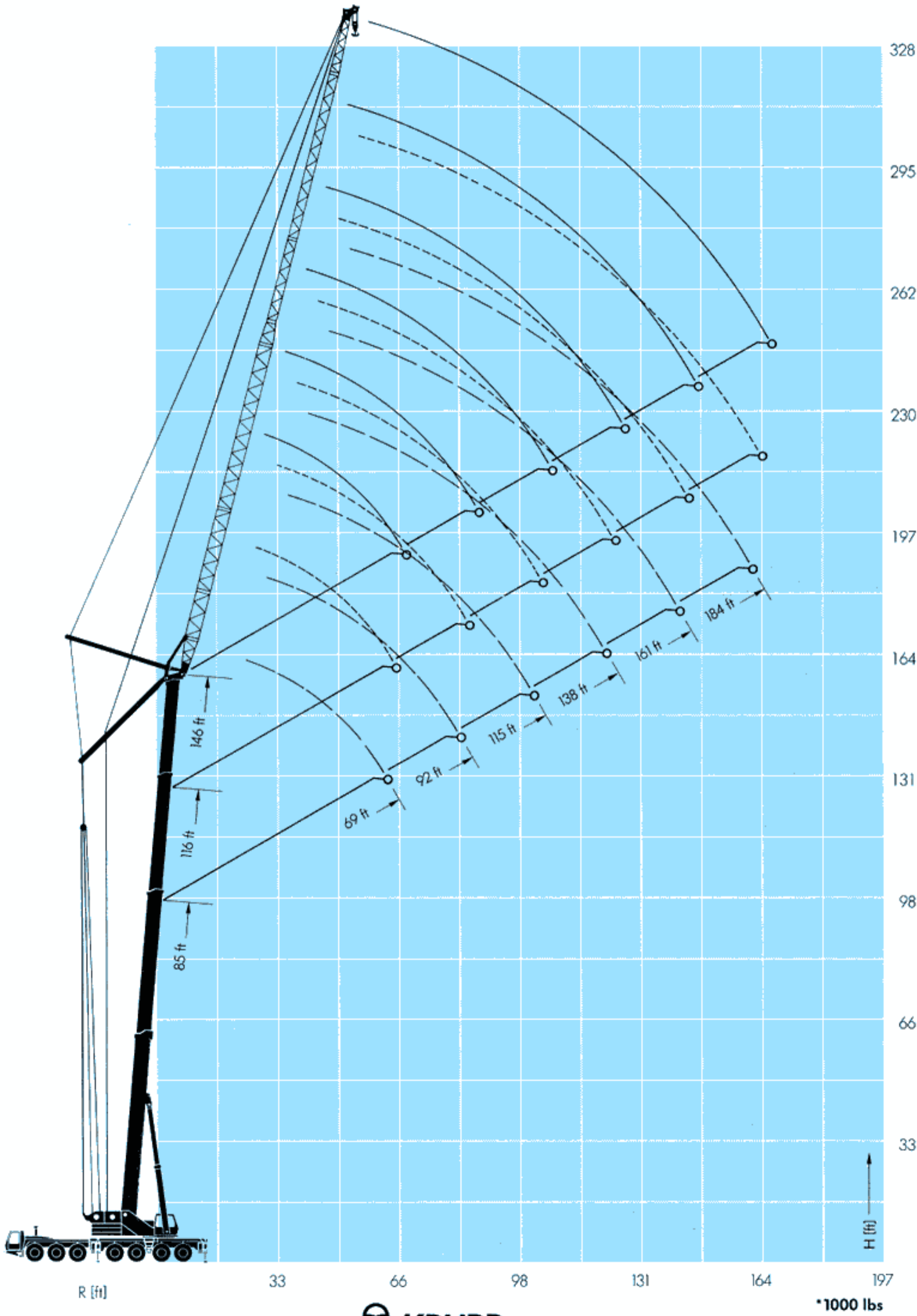
Counterweight **88,2*** lbs

Radius ft	Main boom 207 ft					Radius ft
	33 ft	56 ft	79 ft	102 ft	125 ft	
50	18.8					50
55	18.3					55
60	17.7	13.3				60
65	17.2	13.0				65
70	16.6	12.6				70
75	16.0	12.2	7.7			75
80	15.5	11.8	7.4			80
85	15.0	11.5	7.2			85
90	14.4	11.1	6.9	5.3		90
95	13.9	10.7	6.7	5.0	3.2	95
100	13.4	10.4	6.4	4.8	3.0	100
105	12.9	10.0	6.2	4.6	2.9	105
110	12.4	9.7	6.0	4.4	2.7	110
115	11.9	9.3	5.8	4.2	2.6	115
120	11.5	9.0	5.6	4.0	2.5	120
125	10.1	8.7	5.3	3.8	2.4	125
130	8.3	8.3	5.1	3.7	2.3	130
135	6.7	8.0	4.9	3.5	2.2	135
140	5.3	7.7	4.7	3.4	2.2	140
145	3.9	6.7	4.5	3.3	2.1	145
150	2.6	5.3	4.3	3.1	2.0	150
155		4.1	4.1	3.0	2.0	155
160		2.9	3.9	2.9		160
165			3.7	2.8		165
170			3.3	2.6		170
175			2.3	2.5		175
180				2.4		180
185				2.2		185

*1000 lbs

Hook elevation diagram

Luffing jib



Main boom + luffing jib

Lifting capacities in 1000 lbs

Main boom at 75°



85 ft **88,2*** lbs



116 ft **88,2*** lbs

Radius	Fly jib length						Radius			
	69 ft	92 ft	115 ft	138 ft	161 ft	184 ft		ft		
60	66.1						60			
65	59.1	57.3					65			
70	53.2	53.0					70			
75	48.1	48.5					75			
80	43.8	44.3	41.4				80			
85	40.1	40.6	39.6	32.0			85			
90		37.5	36.6	32.0			90			
95		34.8	33.9	32.7			95			
100		32.4	31.5	30.6	24.3		100			
105		30.2	29.3	28.4	24.3		105			
110			27.5	26.6	24.3		110			
115			25.9	25.0	23.7	17.6	115			
120			24.3	23.5	22.6	17.6	120			
125			22.9	22.0	21.1	17.6	125			
130			21.7	20.8	19.9	17.6	130			
140				18.5	17.6	16.5	140			
150				16.5	15.6	14.5	150			
160					13.9	12.8	160			
170					12.4	11.3	170			
180						10.1	180			
190						8.9	190			
200							200			
210							210			
% T1	80	80	80	80	80	80	T1	% T1		
	0	0	0	0	0	0	T2		% T2	
	0	0	0	0	0	0	T3			% T3
	0	0	0	0	0	0	T4			

Radius	Fly jib length						Radius			
	69 ft	92 ft	115 ft	138 ft	161 ft	184 ft		ft		
60							60			
65							65			
70							70			
75	41.7						75			
80	37.8						80			
85	34.8	34.6					85			
90	32.1	32.1					90			
95		29.7					95			
100		27.6	26.6				100			
105		25.8	24.9	23.8			105			
110		24.3	23.2	22.1			110			
115		22.8	21.8	20.7			115			
120			20.5	19.4	17.8		120			
125			19.3	18.2	17.1	13.9	125			
130			18.1	17.0	15.9	13.9	130			
140				15.2	14.0	12.9	140			
150				13.4	12.3	11.2	150			
160				12.0	10.9	9.8	160			
170					9.6	8.5	170			
180					8.4	7.4	180			
190						6.4	190			
200						5.5	200			
210						4.6	210			
% T1	80	80	80	80	80	80	T1	% T1		
	80	80	80	80	80	80	T2		% T2	
	0	0	0	0	0	0	T3			% T3
	0	0	0	0	0	0	T4			



146 ft **88,2*** lbs

Radius	Fly jib length						Radius			
	69 ft	92 ft	115 ft	138 ft	161 ft	184 ft		ft		
60							60			
65							65			
70							70			
75							75			
80							80			
85	22.9						85			
90	21.8						90			
95	21.0						95			
100	20.2	18.4					100			
105	19.4	17.9					105			
110		17.4					110			
115		16.8	13.8				115			
120		16.3	13.3				120			
125		15.8	13.0	10.3			125			
130			12.5	10.0			130			
140			11.5	9.3	7.4		140			
150			10.7	8.8	6.9	4.4	150			
160				8.4	6.3	4.2	160			
170				8.0	6.0	4.0	170			
180					5.6	3.6	180			
190					5.1	3.1	190			
200						2.7	200			
210						2.4	210			
% T1	80	80	80	80	80	80	T1	% T1		
	80	80	80	80	80	80	T2		% T2	
	80	80	80	80	80	80	T3			% T3
	0	0	0	0	0	0	T4			

*1000 lbs



Main boom + luffing jib

Lifting capacities in 1000 lbs

Main boom at 84°



85 ft



360°

88,2* lbs

Radius ft	Fly jib length						Radius ft	
	69 ft	92 ft	115 ft	138 ft	161 ft	184 ft		
35	87.0						35	
40	84.0	65.0					40	
45	81.0	64.8	49.0				45	
50	79.0	64.6	48.8				50	
55	75.0	63.9	48.9	36.0			55	
60	70.0	62.6	48.6	35.8	27.0		60	
65	63.0	61.7	48.5	35.7	27.0	19.8	65	
70	56.0	60.6	48.3	35.6	27.0	19.8	70	
75		57.3	48.0	35.5	27.0	19.8	75	
80		52.9	47.5	35.4	27.0	19.8	80	
85		48.5	46.9	35.3	27.0	19.8	85	
90			45.2	35.2	27.0	19.8	90	
95			40.8	35.1	27.0	19.8	95	
100			38.1	35.0	27.0	19.8	100	
105			35.2	34.3	27.0	19.8	105	
110			33.0	33.0	27.0	19.8	110	
115				30.4	27.0	19.8	115	
120				28.8	27.0	19.8	120	
125				26.9	25.6	19.8	125	
130				25.8	24.2	19.8	130	
140					22.0	19.8	140	
150					19.6	18.7	150	
160							160	
170							170	
% T1	80	80	80	80	80	80	T1	% T2
	0	0	0	0	0	0	T2	
	0	0	0	0	0	0	T3	
	0	0	0	0	0	0	T4	



116 ft



360°

88,2* lbs

Radius ft	Fly jib length						Radius ft	
	69 ft	92 ft	115 ft	138 ft	161 ft	184 ft		
35							35	
40	55.5						40	
45	54.5	39.7					45	
50	54.0	39.7					50	
55	53.0	39.7	32.0				55	
60	52.8	39.7	32.0	24.2			60	
65	52.5	39.7	32.0	24.2			65	
70		39.7	32.0	24.2	18.0		70	
75		39.7	32.0	24.2	18.0	13.9	75	
80		39.0	32.0	24.2	18.0	13.9	80	
85			32.0	24.2	18.0	13.9	85	
90			32.0	24.2	18.0	13.9	90	
95			32.0	24.2	18.0	13.9	95	
100			32.0	24.2	18.0	13.9	100	
105				24.2	18.0	13.9	105	
110				24.2	18.0	13.9	110	
115				24.2	18.0	13.9	115	
120				24.2	18.0	13.9	120	
125				24.2	18.0	13.9	125	
130					18.0	13.9	130	
140					18.0	13.9	140	
150						13.9	150	
160						13.9	160	
170						13.9	170	
% T1	80	80	80	80	80	80	T1	% T2
	80	80	80	80	80	80	T2	
	0	0	0	0	0	0	T3	
	0	0	0	0	0	0	T4	



146 ft



360°

88,2* lbs

Radius ft	Fly jib length						Radius ft	
	69 ft	92 ft	115 ft	138 ft	161 ft	184 ft		
35							35	
40							40	
45	28.0						45	
50	28.0						50	
55	28.0	24.2					55	
60	28.0	24.2	16.0	11.6			60	
65	28.0	24.2	16.0	11.6			65	
70	28.0	24.2	16.0	11.6			70	
75		24.2	16.0	11.6	8.1		75	
80		24.2	16.0	11.6	8.1	5.5	80	
85		24.2	16.0	11.6	8.1	5.5	85	
90		24.2	16.0	11.6	8.1	5.5	90	
95			16.0	11.6	8.1	5.5	95	
100			16.0	11.6	8.1	5.5	100	
105			16.0	11.6	8.1	5.5	105	
110			16.0	11.6	8.1	5.5	110	
115				11.6	8.1	5.5	115	
120				11.6	8.1	5.5	120	
125				11.6	8.1	5.5	125	
130				11.6	8.1	5.5	130	
140					8.1	5.5	140	
150					8.1	5.5	150	
160						5.5	160	
170							170	
% T1	80	80	80	80	80	80	T1	% T2
	80	80	80	80	80	80	T2	
	80	80	80	80	80	80	T3	
	0	0	0	0	0	0	T4	

*1000 lbs

Notes for lifting capacities

Rated loads do not exceed 85% of tipping load with the machine properly levelled on firm ground.

360° duties – on outriggers fully extended.

Note counterweight required as listed in relevant lifting capacity columns.

For safe crane operation due allowance must be made to compensate for high winds, side load, pendulum action and other hazardous conditions. No side pull permitted.

Hook blocks, slings and/or boom attachments are considered part of load, and their weight must be deducted from the rated lifting capacity to determine the net load.

Boom must be extended in accordance with sequence as noted on lifting capacity chart.

Consult crane manual to determine weight reduction for load handling devices and boom attachments.

Operate crane strictly in compliance with operator's manual.

Weights / Working speeds



Axle	1	2	3	4	5	6	7	Total weight
1000 lbs	26,5	26,5	26,5	26,5	26,5	26,5	26,5	185,5



Lifting capacity	Sheaves	Parts of line	Weights lbs
150	7	2 - 15	5730
110	5	2 - 11	3300
70	3	1 - 7	2200
30	1	1 - 3	1320



Gear	1	2	3	4	5	R	Gradeability max.
On-road (mph)	8	13	21	30	42	9	
Off-road (mph)	4,5	7,5	12,0	17,5	34,5	5,0	39%
Tires	14.00 R 25						



Drives	infinitely variable	Rope diameter / Rope length	Max. single line pull
Main hoist	0 - 426 ft/min single line	24 mm (1") 1100 ft	21,600 lbs
Auxiliary hoist	0 - 426 ft/min single line	24 mm (1") 1100 ft	21,600 lbs
Swing gear	0 - 1,6 min ⁻¹		
Boom elevation	approx. 90 s from -1,2° to +85° boom angle		
Telescoping	approx. 245 s from 54 ft to 207 ft boom length		



Telescopic boom



On outriggers



Working range



Axle load



Hook blocks and hook



Crane movements



Speed



Boom extension

Carrier

Chassis:	Special KRUPP 7-axle carrier, all-welded torsion-resistant box-type construction in high strength steel.
Outriggers:	4 double hydraulically telescoping beams with vertical cylinders and outrigger pads. Independent horizontal and vertical movement control on each side of the chassis. Levelling device.
Engine:	Mercedes-Benz OM 444 A diesel, 12 cylinders, water-cooled, 406 kW (552 HP) at 2100 min ⁻¹ (DIN 6271 IFN). Max. torque: 2400 Nm at 1000 – 1600 min ⁻¹ . Tank capacity: approx. 125 gal.
Transmission:	Allison 5-gear automatic.
Transfer case:	Transfer case with 2 speeds and longitudinal differential lock.
Axle lines:	7 axle lines; 1st, 2nd, 4th, 5th, 6th and 7th steering axle lines; 1st, 2nd, 5th and 6th driven axle lines.
Suspension:	All axle lines with hydropneumatic suspension and axle lock-out. Level regulation. Suspension range: +6 1/2" / -5 1/2". Possible combinations for transverse slope.
Tyres:	14 tyres 14.00 R 25.
Steering:	ZF dual-circuit hydraulic power assisted steering.
Brakes:	Service brake: pneumatic dual-circuit, acting on all wheels, air dryer. Permanent brake: hydraulic retarder integrated with Allison automatic transmission, exhaust brake. Hand brake: pneumatically operated spring-loaded brake acting on 2nd, 5th, 6th and 7th axle line.
Driver's cab:	Aluminium , 2-man-design, safety glass, driver's seat with hydraulic suspension, motor-dependent hot-water heating. Complete instrumentation and driving controls.
Electrical system:	Three-phase generator 28 V / 55 A, 2 batteries 12 V / 170 Ah, lighting system and signals.

Superstructure

Frame:	KRUPP-made, torsion-resistant welded construction in high strength steel.
Engine:	Mercedes-Benz OM 447 A diesel, 6 cylinders, water-cooled, 213 kW (290 HP) at 1800 min ⁻¹ (DIN 6271 IFN). Max. torque 1226 Nm at 1100 – 1600 min ⁻¹ . Tank capacity: 75 gal.
Hydraulic system:	4 separate circuits, 3 axial piston variable displacement pumps in open circuit with electronic engine speed related pump control and 1 axial piston variable displacement pump in closed circuit. Tank capacity: 520 gal hydraulic oil.
Control system:	Infinite variation of all crane movements by electrically, controlled hydraulic pilot circuit and control levers with automatic reset to zero.
Main hoist:	Axial-piston variable displacement motor with planetary gear and automatic brake.
Derricking:	1 cylinder with safety holding valve, boom angle from -1,2° to +85°.
Slewing:	2 axial piston fixed displacement motors, planetary gear, holding brake and service brake..
Cab:	Aluminium , full vision, safety glass, adjustable operator's seat with hydraulic suspension, motor-dependent hot-water-heating. Armrest-integrated crane controls. Ergonomically arranged instrumentation and crane operating controls.
Safety installations:	Hoist and lowering limit switch, pipe break safety valves, pressure relief valves.
Telescopic boom:	Welded construction in high strength steel, 1 pivoting basic section, 4 telescopic sections. Total boom length: 207 ft, all-hydraulic extension under partial load.
Electrical system:	Three-phase generator 28 V / 55 A, 2 batteries 12 V / 143 Ah.

Additional equipment

Tyres:	14 types 16.00 R 25.
Boom extension:	Lattice design, 33 – 125 ft, in sections of 23 ft length.
Luffing jib:	Lattice design, 69 – 184 ft, in sections of 23 ft length.
Aux. hoist:	2nd hoisting gear.
Safe load indicator:	Electronic load moment safety device (type EKS 83) with automatic cut-out and digital display for actual and admissible load, radius and various working conditions.
Driver's cab:	Engine-independent heater, also to be used as engine preheater.

Further equipment upon request.

Subject to change without notice.

KRUPP Hydraulic Mobile Cranes

Product Range

All-Terrain Cranes	Max. lifting capacity	Max. hook height
KMK 2025 	25 ton	121 ft
KMK 3045 	45 ton	150 ft
KMK 4080 	80 ton	180 ft
KMK 4090 	90 ton	190 ft
KMK 5110 	110 ton	190 ft
KMK 5125 	125 ton	216 ft
KMK 5160 	160 ton	225 ft
KMK 6190 	190 ton	260 ft
KMK 6275 	275 ton	330 ft
KMK 7300 	300 ton	330 ft
KMK 8500 	500 ton	390 ft

USA

Krupp Industries Inc.
 Construction
 Equipment Group
 210 Vandale Drive
 (Pittsburgh)
 Houston, PA 15342
 Telephone (412) 746-9360
 Telefax (412) 746-9350

Branch Office:
 240 N. Norwood
 Houston, TX 77011
 Telephone (713) 926-1100
 Telefax (713) 926-0989

CANADA

Krupp Canada Inc.
 98 rue Columbus
 Pointe Claire, Que. H9R 4K4
 Telephone (514) 694-4740
 Telefax (514) 694-6280

Krupp Canada Inc.
 429 Dewitt Road, Unit 15
 Stoney Creek, Ont. L8E 4C3
 Telephone (416) 664-6592
 Telefax (416) 664-2789