

KOBELCO

PARTS MANUAL

SK210LC-6E applicable: YQ08U0969~
Dynamic Acera

PART NUMBER: YN91Z00010DA
ISSUED: 11/02, REV.0

ATTENTION:

*This CD is for general reference only.
For current-updated parts information,
supersessions with prices, links to Service and Parts
Bulletins, please refer to the KOBELCO Parts Department
CD-Rom Ver. 1.4.1*

**IT IS SUGGESTED THAT YOU WRITE THE MACHINE
AND ENGINE SERIAL NUMBERS IN THE SPACE
BELOW FOR FUTURE REFERENCE.**

MACHINE SERIAL NUMBER Numero de serie de machine Maschinen - seriennummer	
ENGINE SERIAL NUMBER Numero de serie de moteur Motor - seriennummer	
DATE DELIVERED Date delivree Tag der Anlieferung	

NOTE: Due to our policy of continual product improvement, all designs and specifications are subject to change without notice.

HOW TO USE THIS CATALOG

HOW TO FIND PART INFORMATION:

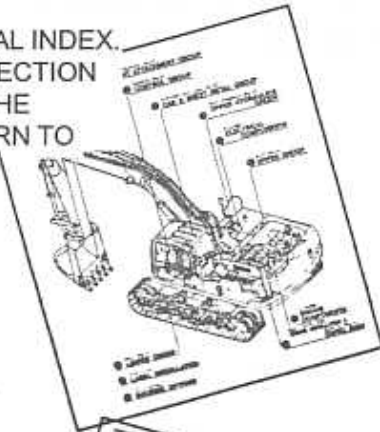
WHEN ASSEMBLY LOCATION IS KNOWN,



PERFORM STEPS 1, 2 AND 3.

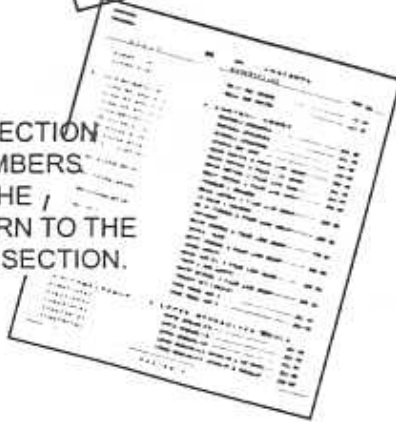
1

TURN TO VISUAL INDEX. LOCATE THE SECTION CONTAINING THE ASSEMBLY. TURN TO THE TABLE OF CONTENTS.



2

LOCATE THE SECTION AND PAGE NUMBERS CONTAINING THE ASSEMBLY. TURN TO THE APPROPRIATE SECTION.



WHEN THE ASSEMBLY NAME IS KNOWN, TURN TO THE TABLE OF CONTENTS AND FOLLOW STEPS 2 AND 3.



3

USING THE INDEX PART NUMBER SHOWN WITH THE PART, REFER TO THE ACCOMPANYING LIST TO OBTAIN THE PART NUMBER, DESCRIPTION AND QUANTITY.

Part No.	Description	Quantity
123456	Excavator boom	1
234567	Excavator dipper	1
345678	Excavator bucket	1
456789	Excavator counterweight	1
567890	Excavator chassis	1
678901	Excavator engine	1
789012	Excavator hydraulic pump	1
890123	Excavator hydraulic motor	1
901234	Excavator hydraulic cylinder	1
012345	Excavator hydraulic hose	1
123456	Excavator hydraulic line	1
234567	Excavator hydraulic valve	1
345678	Excavator hydraulic filter	1
456789	Excavator hydraulic accumulator	1
567890	Excavator hydraulic reservoir	1
678901	Excavator hydraulic tank	1
789012	Excavator hydraulic pump motor	1
890123	Excavator hydraulic pump cylinder	1
901234	Excavator hydraulic pump valve	1
012345	Excavator hydraulic pump filter	1
123456	Excavator hydraulic pump accumulator	1
234567	Excavator hydraulic pump reservoir	1
345678	Excavator hydraulic pump tank	1
456789	Excavator hydraulic pump motor cylinder	1
567890	Excavator hydraulic pump motor valve	1
678901	Excavator hydraulic pump motor filter	1
789012	Excavator hydraulic pump motor accumulator	1
890123	Excavator hydraulic pump motor reservoir	1
901234	Excavator hydraulic pump motor tank	1

4

TURN TO THE NUMERICAL INDEX IN THE BACK OF THE MANUAL. LOCATE THE PART NUMBER. TURN TO THE PAGE IDENTIFIED. USING THE PARTS LISTING, OBTAIN THE PART DESCRIPTION AND QUANTITY. FOR A VISUAL REFERENCE, LOCATE THE CORRESPONDING INDEX NUMBER ON THE ILLUSTRATION.

Part No.	Description	Quantity
123456	Excavator boom	1
234567	Excavator dipper	1
345678	Excavator bucket	1
456789	Excavator counterweight	1
567890	Excavator chassis	1
678901	Excavator engine	1
789012	Excavator hydraulic pump	1
890123	Excavator hydraulic motor	1
901234	Excavator hydraulic cylinder	1
012345	Excavator hydraulic hose	1
123456	Excavator hydraulic line	1
234567	Excavator hydraulic valve	1
345678	Excavator hydraulic filter	1
456789	Excavator hydraulic accumulator	1
567890	Excavator hydraulic reservoir	1
678901	Excavator hydraulic tank	1
789012	Excavator hydraulic pump motor	1
890123	Excavator hydraulic pump cylinder	1
901234	Excavator hydraulic pump valve	1
012345	Excavator hydraulic pump filter	1
123456	Excavator hydraulic pump accumulator	1
234567	Excavator hydraulic pump reservoir	1
345678	Excavator hydraulic pump tank	1
456789	Excavator hydraulic pump motor cylinder	1
567890	Excavator hydraulic pump motor valve	1
678901	Excavator hydraulic pump motor filter	1
789012	Excavator hydraulic pump motor accumulator	1
890123	Excavator hydraulic pump motor reservoir	1
901234	Excavator hydraulic pump motor tank	1

COMO UTILIZAR ESTE CATALOGO

COMO BUSCAR LA INFORMACION EN ESTE LIBRO:

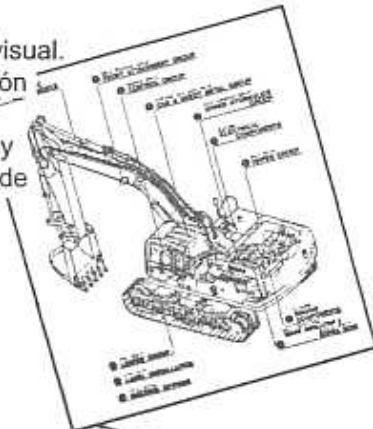
CUANDO SE CONOCE LA UBICACION DEL COMPONENTE,



SIGA LOS PASOS 1, 2 y 3

1

Vaya al indice visual. Ubique la sección que contiene el componente y vaya a la Tabla de Contenido.



2

En la Tabla de Contenido ubique la sección y el número de página que contiene el componente. Luego abra la página en la sección indicada.

CUANDO SE CONOCE EL NOMBRE DEL COMPONENTE, VAYA DIRECTAMENTE A LA TABLA DE CONTENIDO Y SIGA LOS PASOS 2 Y 3.



3

Ubique el número de referencia en la figura, para la parte buscada. Ahora, con el número de referencia obtenido de la figura, use su lista de partes y obtenga el número de parte y su cantidad apropiada.

4

Abra la sección correspondiente al índice numerico, al final del libro, y ubique el número de parte buscado. Luego dirijase a la(s) página(s) indicada(s) en este índice para ubicar la parte buscada. Siga las instrucciones de los pasos 3 y 4 indicados en esta página.

NOTICE

This manual lists parts used in the applicable machine models identified on the front cover and subsequent models.

This manual lists optional parts. Optional parts are not specific to the machine delivered. Make sure of your machine specifications when ordering.

1. HOW TO ORDER PARTS

When ordering parts, be prepared to supply your dealer with the following information:

1. Machine Model Identification
2. Machine Serial Number and Engine Number
3. Part Number of item to be ordered
4. Part Name of item to be ordered
5. Quantity of item to be ordered

EXAMPLE

1. MODEL: XXXXXX
2. SERIAL NUMBER: XXXXXX
3. PART NUMBER: XXXXXX
4. PART NAME: XXXXXX
5. QUANTITY: XX

2. ABBREVIATIONS

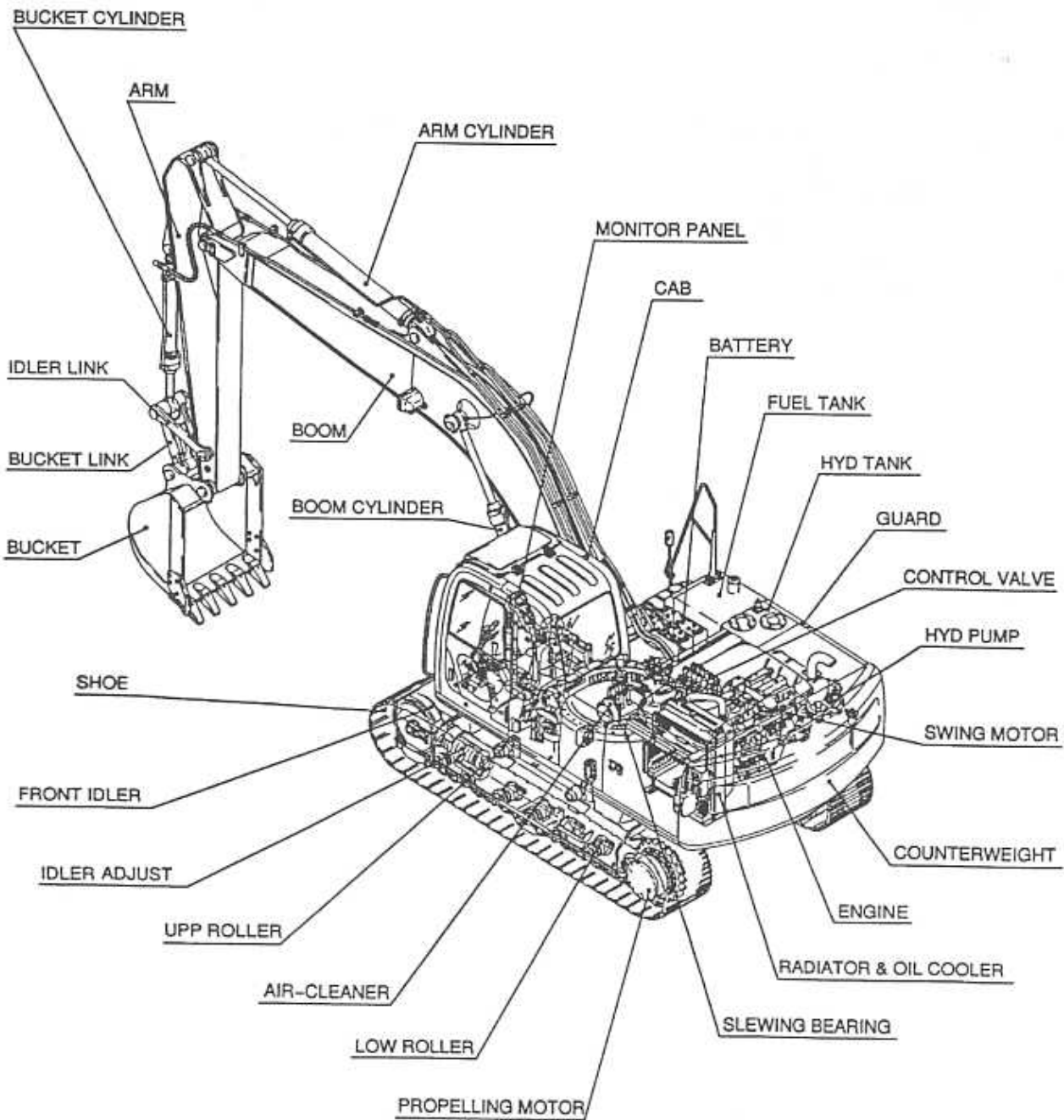
ASSY - ASSEMBLY
ATT - ATTACHMENT
CONV - CONVERTER
ELEC - ELECTRICAL
ENGL - ENGLISH
FR - FRONT
HYDR - HYDRAULIC
INST - INSTRUMENT
INSTAL - INSTALLATION
JAPA - JAPANESE
L.H. - LEFT HAND
LOW - LOWER
LUB - LUBRICATION
PRESS - PRESSURE
QTY - QUANTITY
RADIA - RADIATOR
RE - REAR
R.H. - RIGHT HAND

STR - STEERING
TBA - TO BE ANNOUNCED
TEMP - TEMPERATURE
UPP - UPPER

3. COUNTRY CODES

KCMA LLC - KOBELCO CONSTRUCTION MACHINERY AMERICA LLC
N.A. - NORTH AMERICA
S.A. - SOUTH AMERICA
EC - EUROPEAN COUNCIL
GER - GERMANY
M.E. - MIDDLE EAST

VISUAL INDEX



CONTENTS

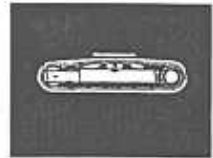
YQ08U0969-



GENERAL MAINTENANCE ITEMS



SUPERSTRUCTURE



UNDERCARRIAGE



ATTACHMENTS



TOOLS AND SPARE PARTS



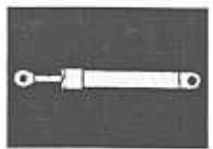
OPTIONAL PARTS



NAME-PLATE



PARTS INDEX



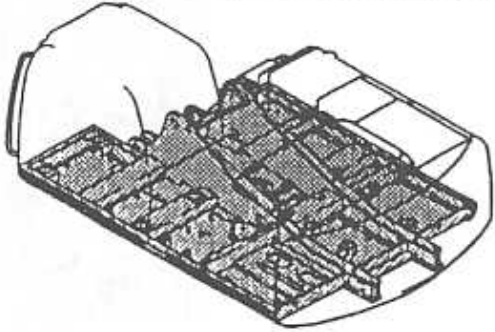
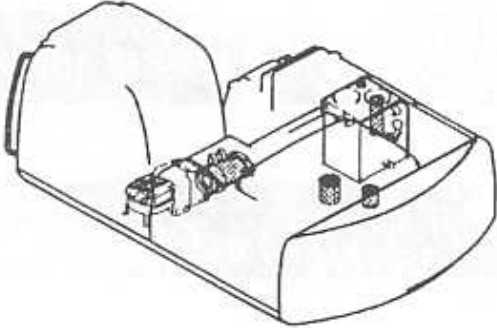
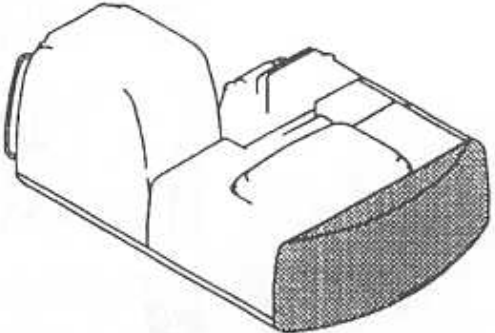
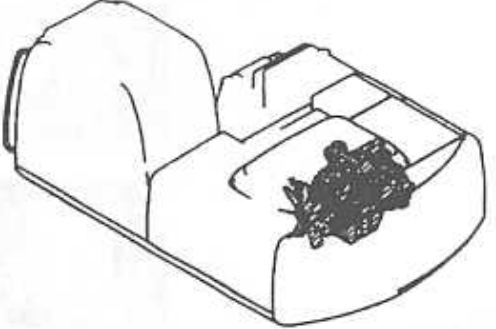


COMPONENTS



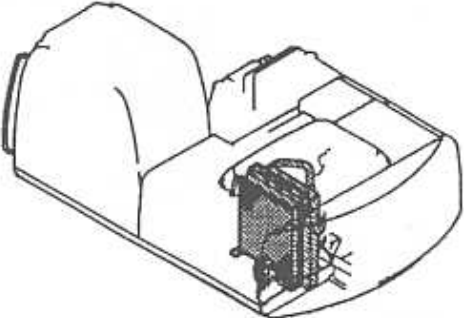
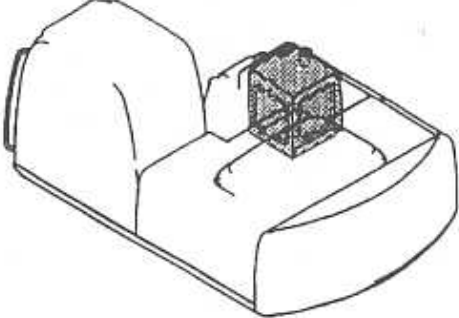
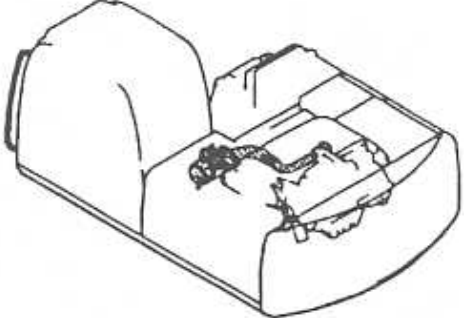
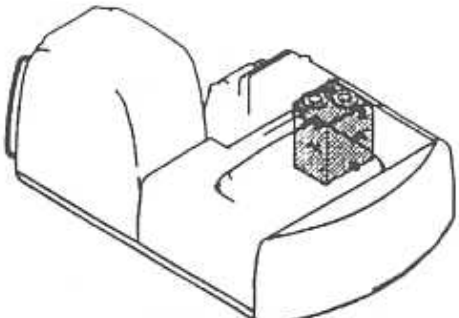
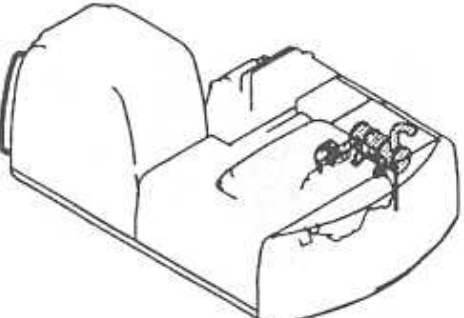
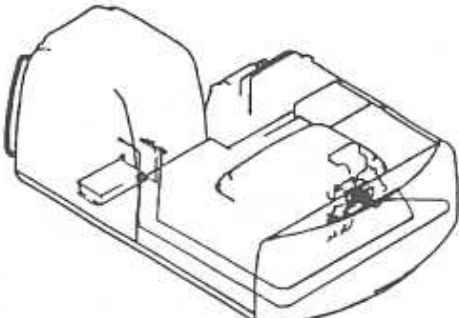
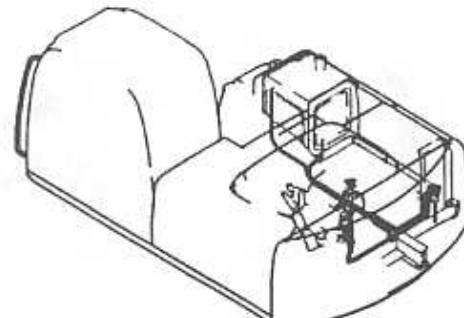
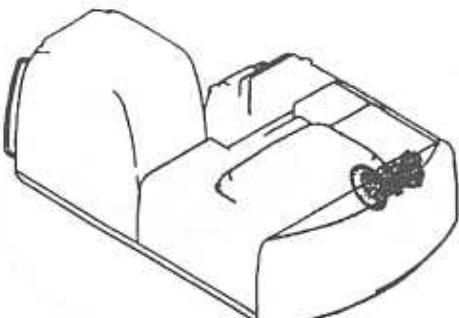
ENGINE COMPONENTS

CONTENTS

NAME OF EQUIPMENT.....PAGE																	
<div style="border: 1px dashed black; padding: 20px; text-align: center;"> <div style="background-color: #cccccc; display: inline-block; padding: 5px 20px;">LOCATION</div> </div>	<div style="background-color: #333; color: white; padding: 5px; display: inline-block;">SUPERSTRUCTURE</div> 																
<div style="background-color: #333; color: white; padding: 5px; display: inline-block;">GENERAL MAINTENANCE ITEMS</div> 	<table border="0"> <tr> <td>FRAME ASSY, UPPER.....</td> <td>010-01</td> </tr> <tr> <td>FRAME ASSY, UPPER (LOGGER).....</td> <td>010-10</td> </tr> </table> 	FRAME ASSY, UPPER.....	010-01	FRAME ASSY, UPPER (LOGGER).....	010-10												
FRAME ASSY, UPPER.....	010-01																
FRAME ASSY, UPPER (LOGGER).....	010-10																
<table border="0"> <tr> <td>FILTER LIST.....</td> <td>004-01-1</td> </tr> <tr> <td>NUT & SLEEVE PART NO</td> <td>005-01-1</td> </tr> <tr> <td>FLANGE PART NO.....</td> <td>005-01-2</td> </tr> <tr> <td>WRENCHES, LUBRICANTS, PAINT....</td> <td>005-01-3</td> </tr> <tr> <td>HARNES CONNECTORS.....</td> <td>005-01-4</td> </tr> </table> 	FILTER LIST.....	004-01-1	NUT & SLEEVE PART NO	005-01-1	FLANGE PART NO.....	005-01-2	WRENCHES, LUBRICANTS, PAINT....	005-01-3	HARNES CONNECTORS.....	005-01-4	<table border="0"> <tr> <td>COUNTERWEIGHT ASSY.....</td> <td>015-01</td> </tr> <tr> <td>ENGINE ASSY.....</td> <td>024-01</td> </tr> <tr> <td>ENGINE INSTAL.....</td> <td>029-01</td> </tr> </table>  	COUNTERWEIGHT ASSY.....	015-01	ENGINE ASSY.....	024-01	ENGINE INSTAL.....	029-01
FILTER LIST.....	004-01-1																
NUT & SLEEVE PART NO	005-01-1																
FLANGE PART NO.....	005-01-2																
WRENCHES, LUBRICANTS, PAINT....	005-01-3																
HARNES CONNECTORS.....	005-01-4																
COUNTERWEIGHT ASSY.....	015-01																
ENGINE ASSY.....	024-01																
ENGINE INSTAL.....	029-01																

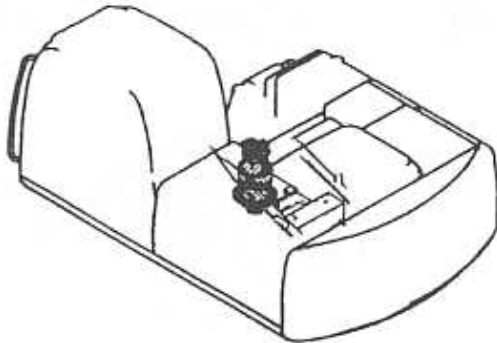
CONTENTS

YQ08U0969-

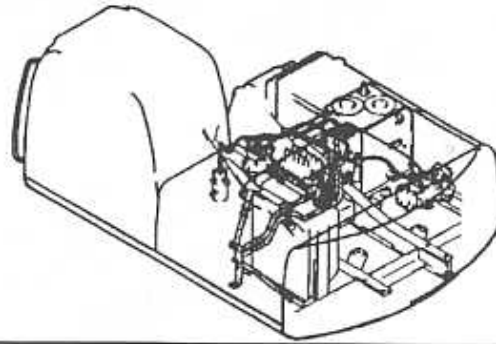
<p>RADIATOR INSTALL.....033-01 RADIATOR ASSY.....038-01</p>  A cutaway diagram of a machine's chassis showing a radiator assembly mounted in the front compartment.	<p>TANK ASSY, FUEL.....056-01</p>  A cutaway diagram of a machine's chassis showing a fuel tank assembly mounted in the front compartment.
<p>CLEANER ASSY, AIR.....042-01</p>  A cutaway diagram of a machine's chassis showing an air cleaner assembly mounted in the front compartment.	<p>TANK ASSY, HYD.....061-01</p>  A cutaway diagram of a machine's chassis showing a hydraulic tank assembly mounted in the front compartment.
<p>MUFFLER ASSY.....047-01</p>  A cutaway diagram of a machine's chassis showing a muffler assembly mounted in the front compartment.	<p>CONTROL ASSY, ENGINE.....063-01</p>  A cutaway diagram of a machine's chassis showing an engine control assembly mounted in the front compartment.
<p>FUEL LINES.....051-01 FILTER ASSY.....053-01</p>  A cutaway diagram of a machine's chassis showing fuel lines and a filter assembly mounted in the front compartment.	<p>POWER TAKE OFF ASSY.....066-01</p>  A cutaway diagram of a machine's chassis showing a power take off assembly mounted in the front compartment.

CONTENTS

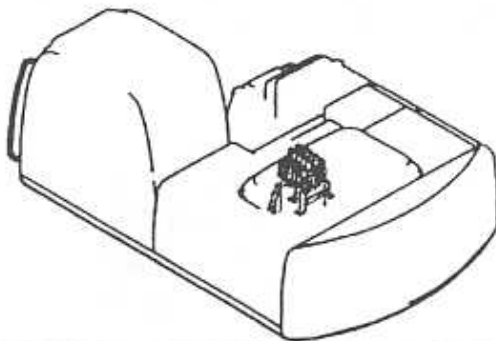
MOTOR INSTAL, SWING.....070-01
 REDUCTION ASSY, SWING.....071-01



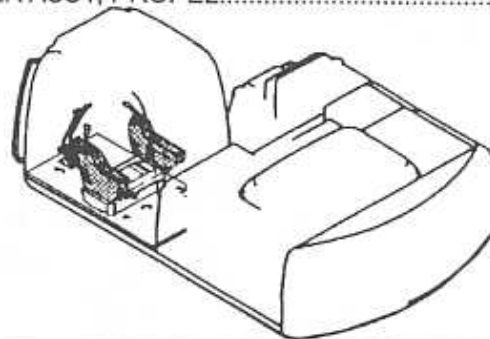
HYD LINES, UPP (RETURN).....097-01



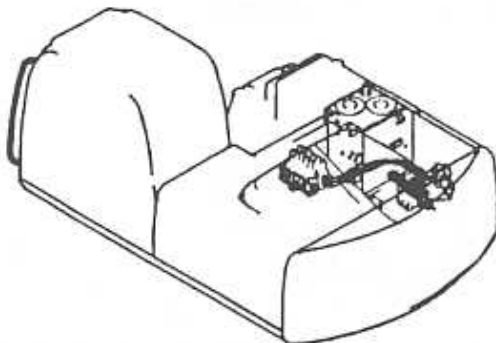
VALVE INSTAL.....079-01



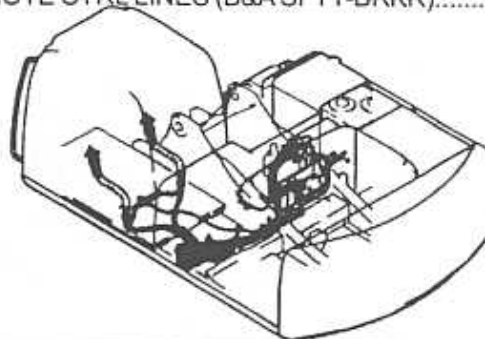
CONTROLS, OPERATOR'S.....102-01
 CONTROL BOX ASSY.....104-01
 LEVER ASSY, PROPEL.....108-01



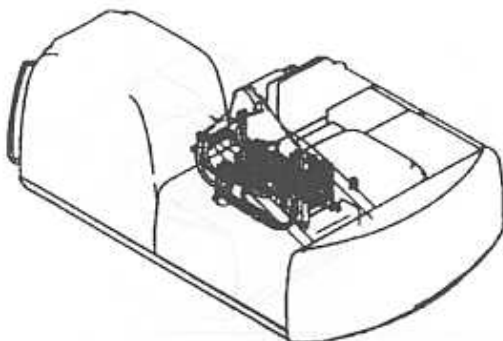
HYD LINES, UPP (SUCTION/DELIVERY).....082-01
 HYD LINES, UPP (ROT.-SUCTION/DELV).....082-10



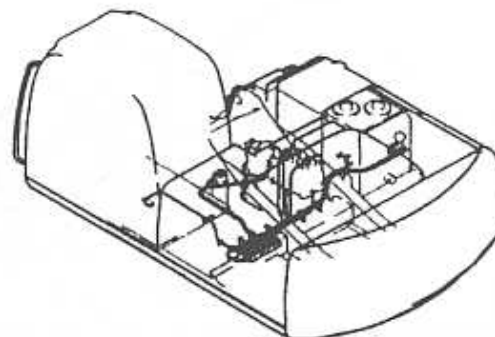
REMOTE CTRL LINES (STD).....114-01
 REMOTE CTRL LINES (N&B).....114-60
 REMOTE CTRL LINES (BREAKER).....114-63
 REMOTE CTRL LINES (B&A SFTY).....115-01
 REMOTE CTRL LINES (B&A SFTY-N&B).....115-60
 REMOTE CTRL LINES (B&A SFTY-BRKR).....115-63



HYD LINES, UPP (MAIN).....087-01
 HYD LINES, UPP N&B.....087-60



REMOTE CTRL LINES (VALVE).....120-01



CONTENTS

YQ08U0969-

CTRL LINES, REMOTE TRAVEL (STD).....	126-01
CTRL LINES, REMOTE (N&B).....	126-60

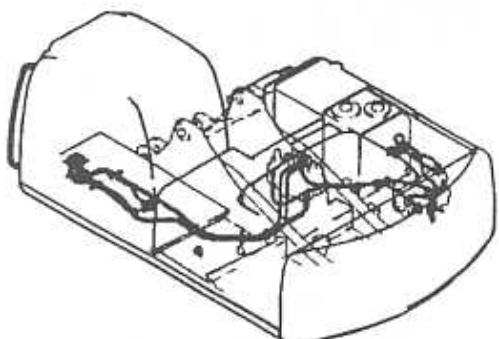
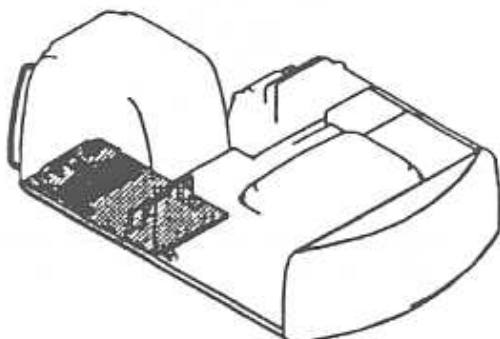
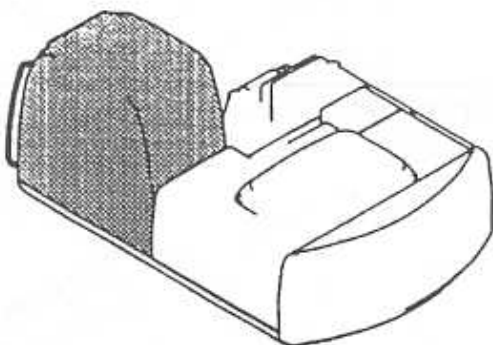


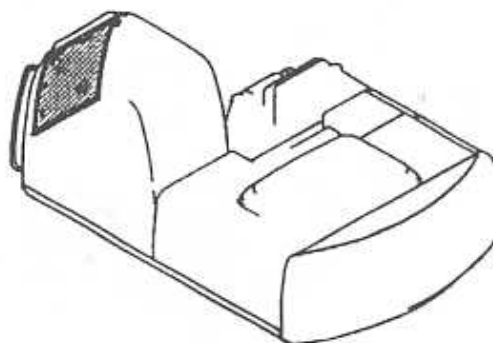
PLATE GROUP, FLOOR (STD).....	150-01
PLATE GROUP, FLOOR (N&B).....	150-60
PLATE GROUP, FLOOR (BKR).....	150-63



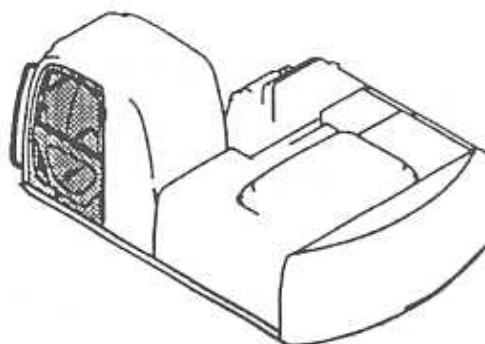
CAB INSTAL.....	166-01
CAB ASSY.....	170-01



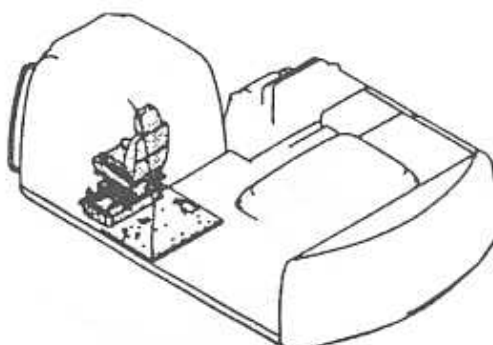
WINDOW ASSY, FR.....	172-01
----------------------	--------



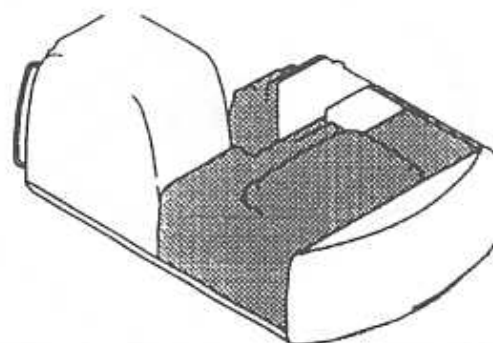
DOOR ASSY, CAB.....	173-01
---------------------	--------



SEAT GROUP.....	178-01
SEAT ASSY.....	180-01
BELT ASSY, SEAT.....	183-01

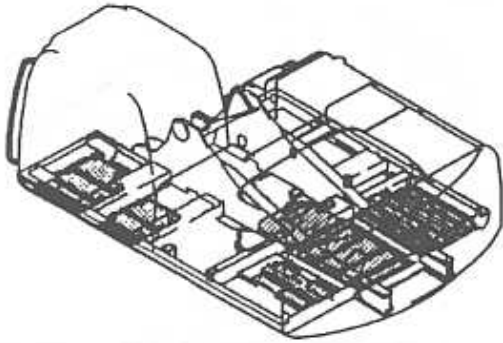


GUARD INSTAL.....	198-01
COVER ASSY.....	200-01
BONNET ASSY.....	210-01



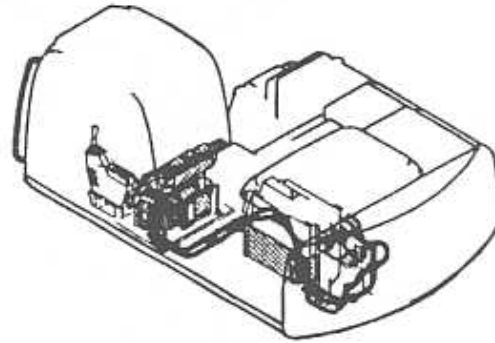
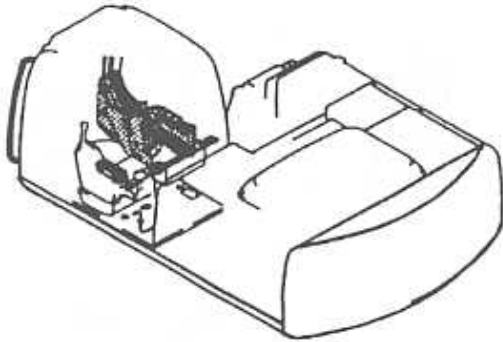
CONTENTS

COVER ASSY, UNDER.....222-01

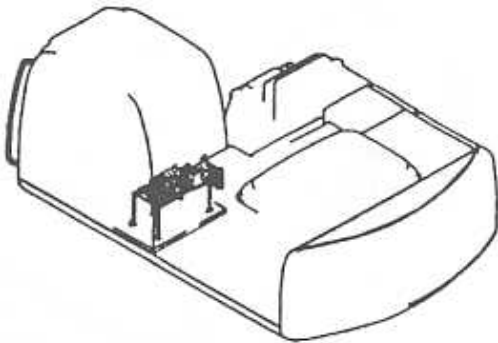


CONDITIONER, AIR.....255-01
 CONDITIONER, INSTAL.....256-01
 CONDITIONER GROUP, AIR.....257-01
 CONDITIONER ASSY, AIR.....258-01
 DRIER ASSY, AIR.....259-01
 COMPRESSOR ASSY, AIR.....260-01
 CONDITIONER ASSY, AIR.....262-01

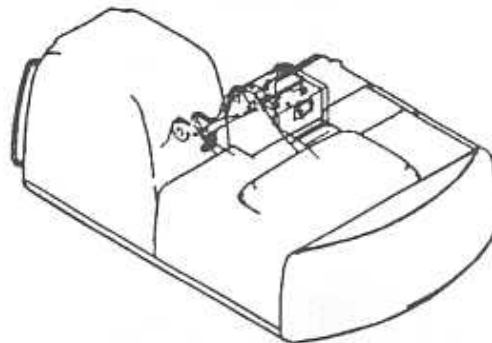
PANEL ASSY, INSTRUMENT.....230-01



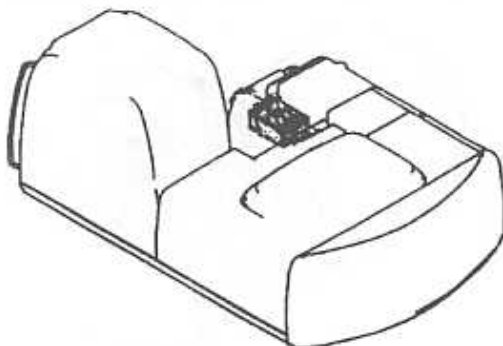
CONTROLLER GROUP.....232-01



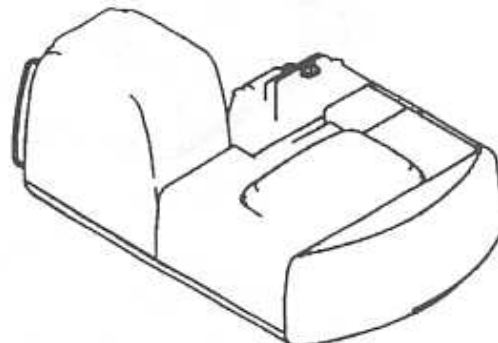
ELEC ASSY, UPP.....263-01



BATTERY INSTAL.....254-01



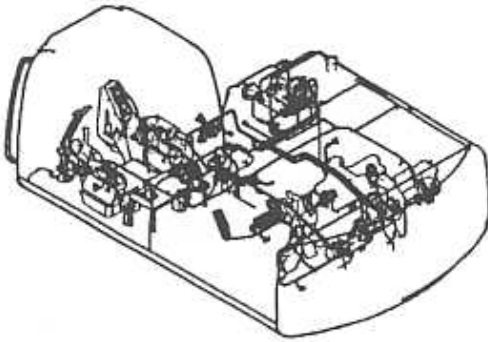
LIGHT INSTAL.....264-01



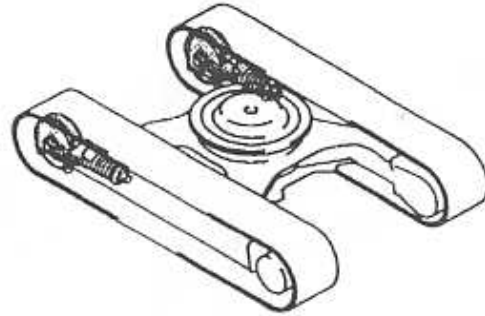
CONTENTS

YQ08U0969-

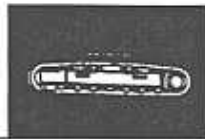
HARNES ASSY.....	266-01
HARNES ASSY (LOGGER).....	266-10
FLASH LAMP ASSY.....	268-01



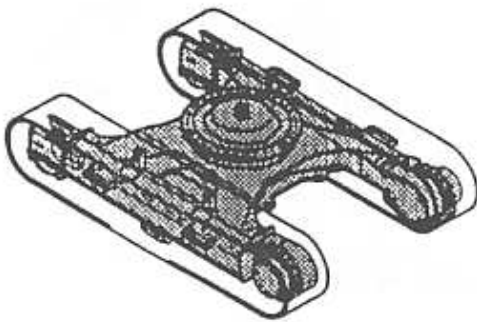
IDLER ASSY, CRAWLER.....	298-01
--------------------------	--------



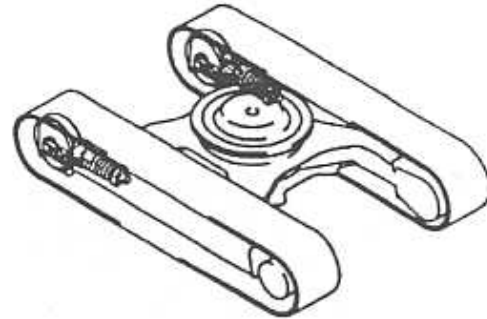
UNDERCARRIAGE



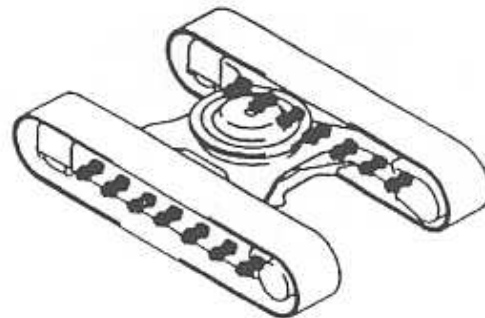
LOWER INSTL.....	280-01
LOWER INSTL (HIGH & WIDE).....	280-10
LOWER INSTL (LOGGIER-H&W).....	280-11



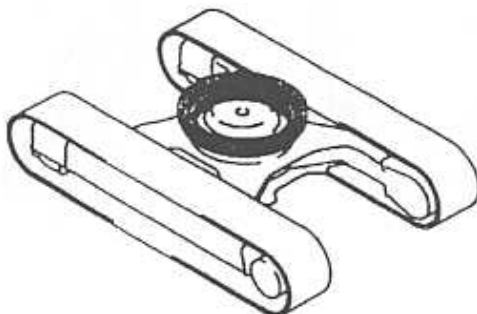
IDLER ASSY.....	306-01
IDLER ADJUSTMENT ASSY.....	314-01



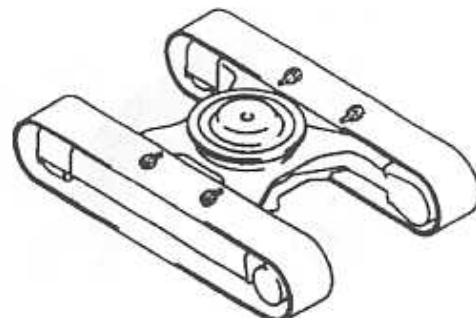
LOWER ROLLER ASSY.....	326-01
------------------------	--------



RING ASSY, SLEWING.....	282-01
-------------------------	--------

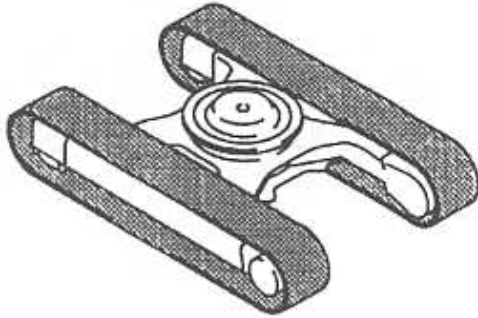


ROLLER ASSY, UPP.....	330-01
ROLLER ASSY, UPP (HIGH & WIDE).....	330-10

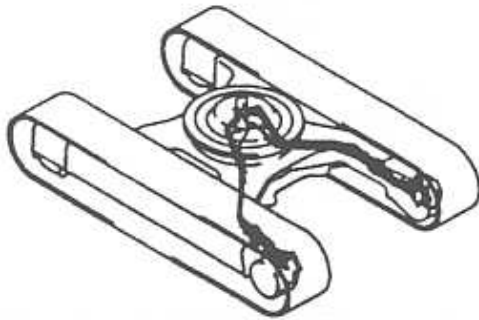


CONTENTS

SHOE ASSY.....340-01



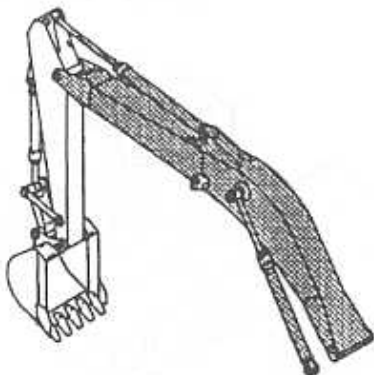
HYD LINES, LOWER.....356-01
 HYD LINES, LOWER (HIGH & WIDE).....356-10



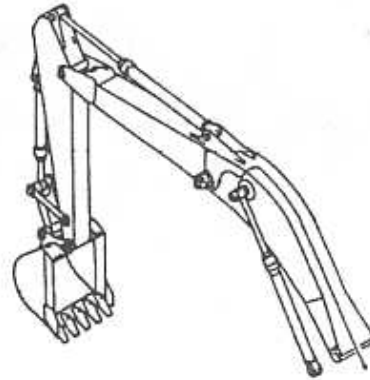
ATTACHMENTS



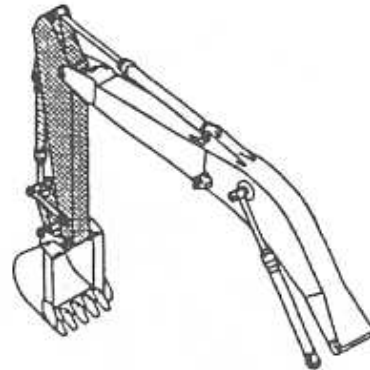
BOOM ASSY, 5.65M.....390-01
 BOOMASSY, 5.65M(HD).....390-10
 HYD LINES, BOOM 5.65M.....396-01
 HYD LINES, BOOM (N&B,BKR) 5.65M.....396-60



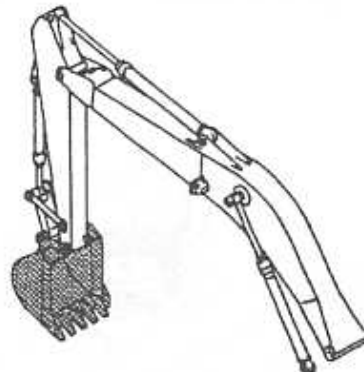
LIGHT INSTAL, BOOM.....407-01



ARM ASSY, STD 2.94M.....414-01
 HYD LINES, ARM 2.94M.....418-01
 HYD LINES, ARM 2.94M (N&B REWORK).....418-60



BUCKET INSTAL.....434-01



CONTENTS

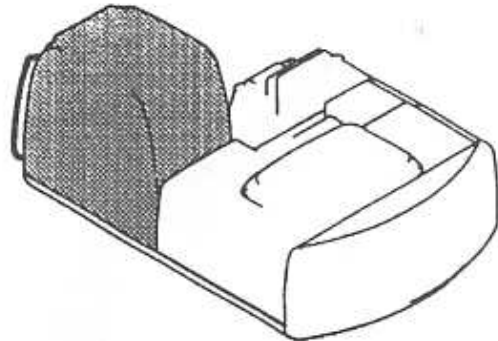
YQ08U0969~

TOOLS AND SPARE PARTS



TOOL AND ACCESSORY.....484-01
 ELEMENT KIT.....490-01

VANDALISM GUARD.....540-01

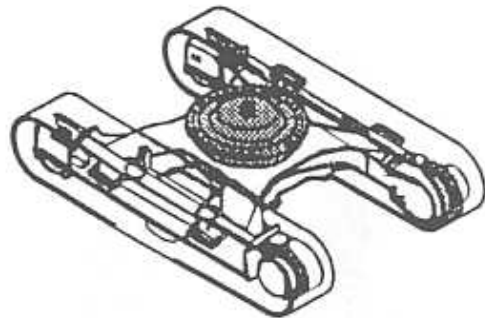
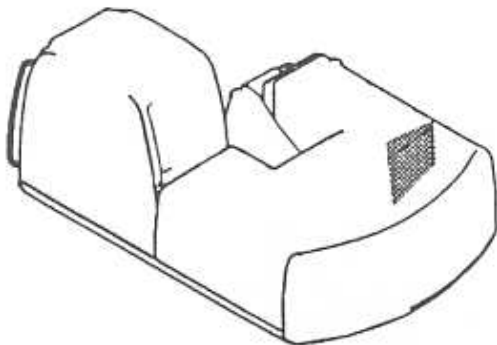


OPTIONAL PARTS

OP

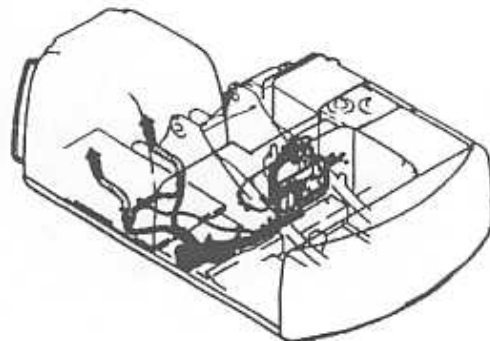
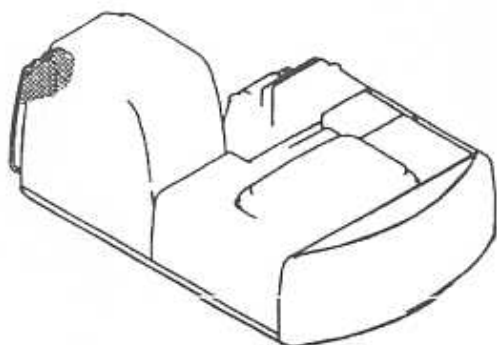
TRAVEL ALARM ASSY (STD).....520-01

UNDER COVER ASSY (BELLY PAN KIT).....541-01



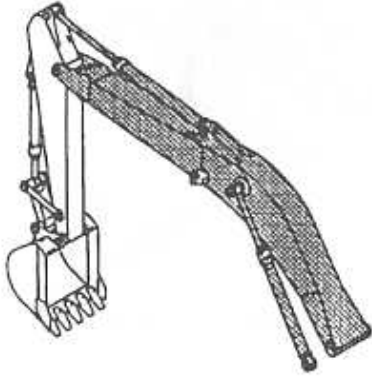
REMOTE CNTRL LINES (MULTI).....550-01
 R. CNTRL LINES (ROTA.-HAND CNTRL).....550-60
 R. CNTRL LINES (LOGR.-HAND CNTRL-BRK)...550-63
 SINGLE TRAVEL PEDAL.....551-01

MIRROR INSTALL (STD).....523-01
 SUN VISOR ASSY.....528-01

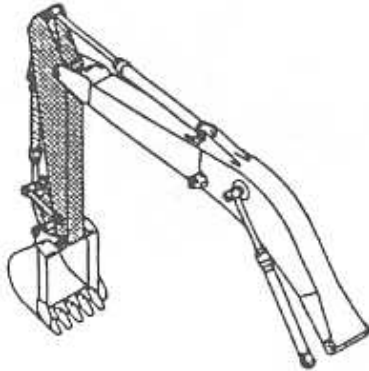


CONTENTS

BOOM ASSY 8.75M (50ft LONG RCH).....560-01
 HYD LINES, BOOM 8.75M (50ft LONG RCH.).....561-01



HYD LINES, ARM 6.35M (50ft LONG RCH).....591-01
 BUCKET INSTAL (50ft LONG RECH).....592-01



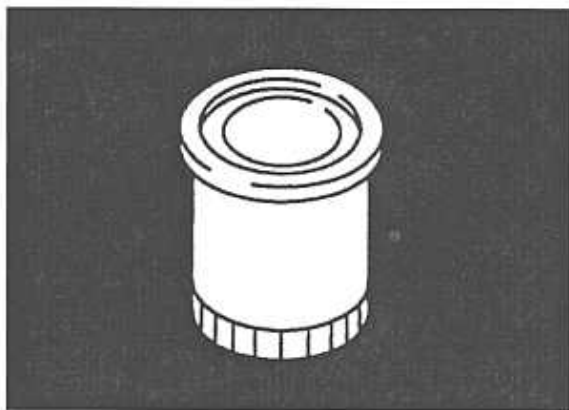
NAME-PLATE



NAME PLATE INSTAL.....610-01
 NAME PLATE INSTAL (FLAG).....611-01
 NAME PLATE INSTAL (CAB).....612-01
 NAME PLATE INSTAL.....620-01
 NAME PLATE INSTAL (ATT).....626-01
 NAME PLATE INSTAL (SUNBELT).....627-01

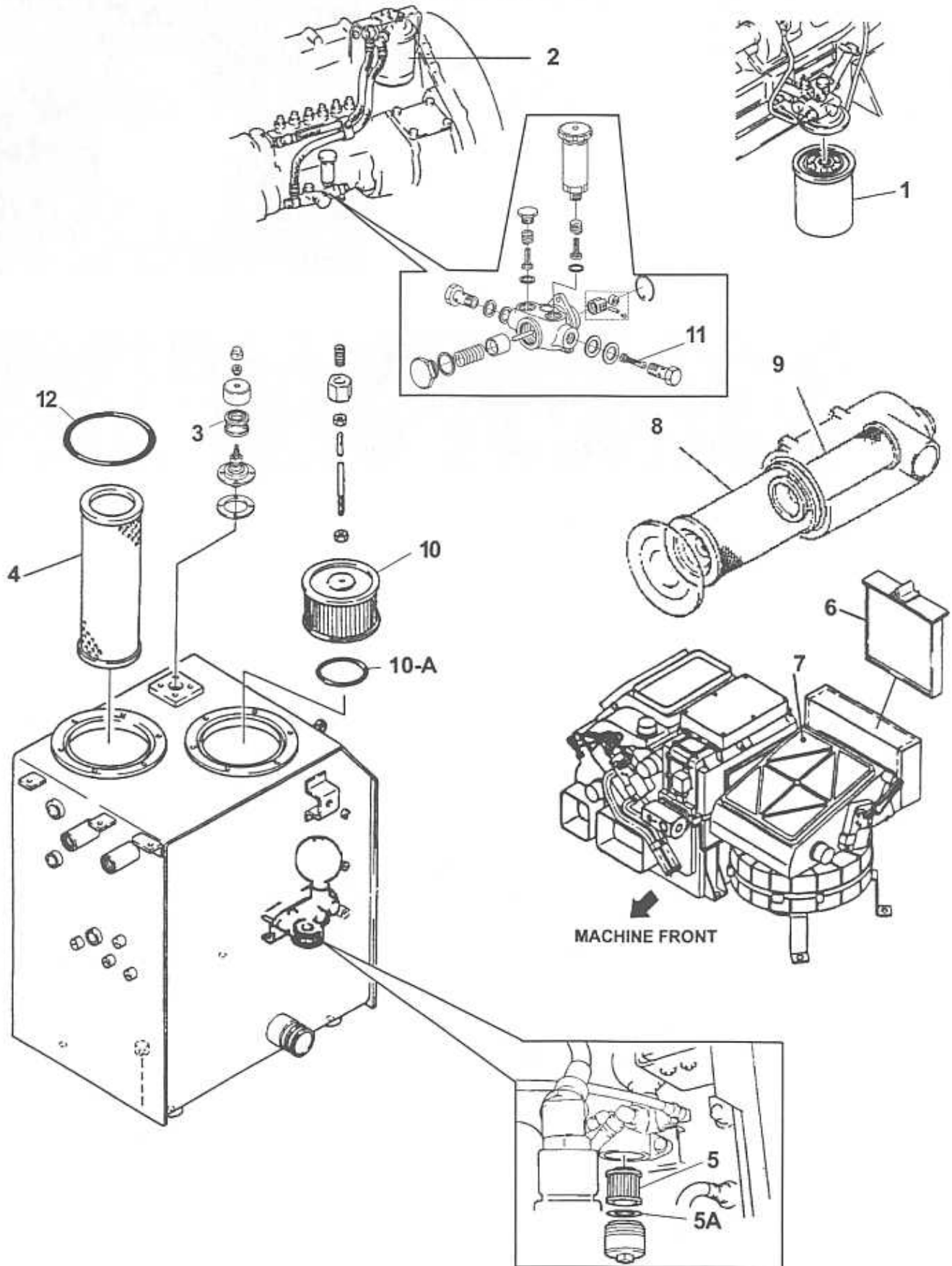
PARTS INDEX





GENERAL MAINTENANCE ITEMS

FILTER LIST



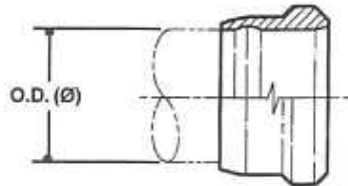
FILTER LIST

YQ07U0969-

ITEM	PART NUMBER	DESCRIPTION	QTY	
1	VAME088532	ELEMENT KIT, ENG OIL	1	
2	VAME015254	ELEMENT KIT, FUEL	1	
3	YN57V00002S010	ELEMENT, HYD FILTER	1	
4	YN50V00001P1	ELEMENT, HYD TANK (STD, N&B)	1	ELEMENT KIT YN30T00007F1
	YN50V00009P1	ELEMENT, HYD TANK (BREAKER)	1	ELEMENT KIT YN30T00007F2
5	YN50V01001S005	FILTER, PILOT	1	
5a	YN50V01001S007	O-RING	1	
6	YN50V01006P1	FILTER, A/C (FRESH)	1	
7	YT20M00004S050	FILTER, A/C (RECYL)	1	
8	2446R255S5	FILTER, OUTER AIR	1	
9	2446R255S6	FILTER, INNER AIR	1	
10	2446R307S1	STRAINER, SUCTION	1	
	(YN50V00002S001)			
10a	45Z91D6	O-RING	1	
11	ME717659	FILTER, GAUZE	1	
		(MITSUBISHI P / N)		
12	ZD11G20000	O-RING	1	

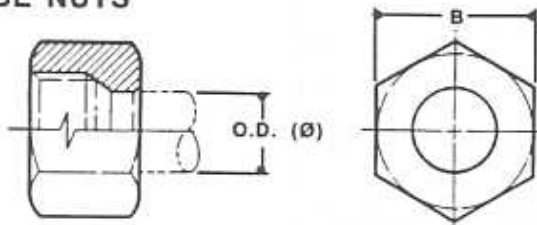
HYDRAULIC SERVICE COMPONENTS

TUBE SLEEVES

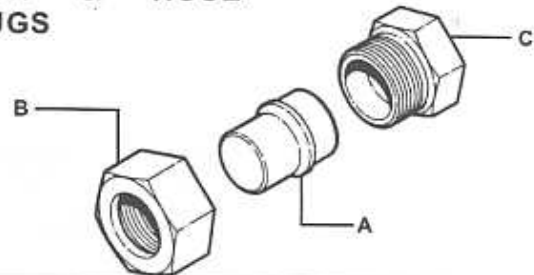


TUBE O.D. (Ø)	PART NUMBER	
	IHARA KOATO	NIPPON A.M.C.
6	ZF93S06000	-
8	ZF93S08000	-
10	ZF93S10000	ZA93S10000
12	ZF93S12000	-
15	ZF93S15000	ZA93S15000
18	ZF93S18000	ZA93S18000
22	ZF93S22000	ZA93S22000
28	ZF93S28000	ZA93S28000
32	ZF93S32000	-
35	ZF93S35000	ZA93S35000
38	ZF93S38000	-

TUBE NUTS

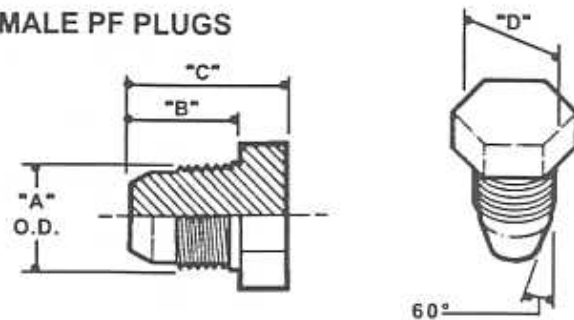


TUBE O.D. (Ø)	PART NUMBER	
	IHARA KOATO	NIPPON A.M.C.
6	ZF93N06000	-
8	ZF93N08000	-
10	ZF93N10000	ZA93N10000
12	ZF93N12000	-
15	ZF93N15000	ZA93N15000
18	ZF93N18000	ZA93N18000
22	ZF93N22000	ZA93N22000
28	ZF93N28000	ZA93N28000
32	ZF93N32000	-
35	ZF93N35000	ZA93N35000
38	ZF93N38000	-

TUBE & HOSE
PLUGS

TUBE DIA.	"A" INTERNAL For Hose End	"B" NUT (Use With "A")	"C" EXTERNAL (For Tube End)
10mm	ZF83P10000	ZF93N10000	ZF83H10000
15mm	ZF83P15000	ZF93N15000	ZF83H15000
18mm	ZF83P18000	ZF93N18000	ZF83H18000
22mm	2444T1338D4	ZF93N22000	2444T1329D4
28mm	ZF83P28000	ZF93N28000	2444T1329D5
35mm	ZF83P35000	ZF93N35000	ZF83H35000

MALE PF PLUGS



PLUG SIZE	PART NUMBER	"A" O.D.	"B" LENGTH	"C" LENGTH	"D" FLATS
PF 1/4	2444Z2728D1	13.5	16.5	24.5	14
PF 3/8	2444Z2728D2	16.6	17.5	25.5	17
PF 1/2	2444Z2728D3	20.6	20.0	31.0	22
PF 3/4	2444Z2728D4	26.2	21.5	34.0	27
PF 1	2444Z2728D5	33.3	23.5	36.0	36

Unit: mm

FEMALE PF CAPS

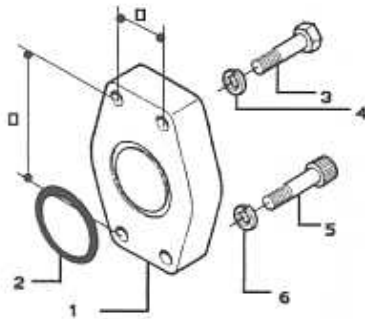


SIZE	PART NUMBER
PF 1/4	2444Z2729D1
PF 3/8	2444Z2729D2
PF 1/2	2444Z2729D3
PF 3/4	2444Z2729D4
PF 1	2444Z2729D5

HYDRAULIC SERVICE COMPONENTS

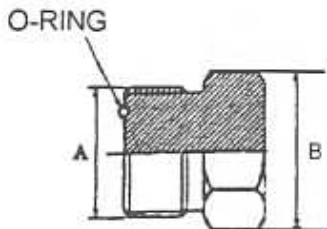
YQ07U0969-

4-BOLT FLANGE CAPS

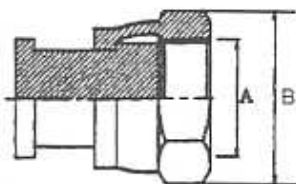


ITEM 1(NOM. SIZE)	ITEM 2	ITEM 3	ITEM 4	ITEM 5	ITEM 6	DIM A	DIM B	
ZE13Q08000	12.7(1/2")	2445Z831D1	ZS18C08030	ZW26X08000	ZS23C08030	ZW26K08000	18.24 (.72")	40.49 (1.59")
ZE13Q12000	19.1(3/4")	ZD12P02600	ZS18C10035	ZW26X10000	ZS23C10035	ZW26K10000	23.80 (.94")	50.80 (2.00")
ZE13Q16000	25.4(1.0")	ZD12P03400	ZS18C12040	ZW26X12000	ZS23C12040	ZW26K12000	27.76 (1.09")	57.15 (2.25")
ZE13Q20000	31.8(1.25")	ZD12P03800	ZS18C14045	ZW26X14000	ZS23C14045	ZW26K14000	31.75 (1.25")	66.68 (2.62")
ZE13Q24000	38.1(1.50")	ZD12P04800	ZS18C16050	ZW26X16000	ZS23C16050	ZW26K16000	36.50 (1.44")	79.38 (3.12")
ZE13Q32000	50.8(2.0")	2445Z831D2	ZS18C20065	ZW26X20000	ZS23C20065	ZW26K20000	44.45 (1.75")	96.82 (3.81")

UNIT: mm (Inches)

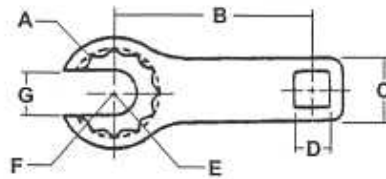


A - Size	O. D. (mm)	PART NUMBER	O-RING	B - NUT (mm)
5/8" (1-14 UNS)	21.7	YN01H01001P1	ZD12A01600	27
3/4" (1 3/16-12UN)	27.2	YN01H01002P1	ZD12A01800	36
1" (1 7/16-12UN)	34	YN01H01003P1	ZD12A02100	42



A - SIZE	I. D. (mm)	PART NUMBER	B - NUT (mm)
5/8" (1-14UNS)	21.7	YN01H01004P1	32
3/4" (1 3/16-12UN)	27.2	YN01H01004P1	36
1" (7/16-12UN)	34	YN01H01006P1	41

KOBELCO SPECIAL SPANNER WRENCHES for HYDRAULIC LINE CONNECTIONS



TUBE DIA.	PART No.	A	B	C	D	E	F	G
15 (.591)	2421T160	27 (1.06)	70 (2.76)	22 (.866)	12.7 (.50)	8 (.315)	40 (1.57)	16 (.630)
18 (.709)	2421T138	32 (1.26)	70 (2.76)	22 (.866)	12.7 (.50)	11 (.433)	42 (1.65)	19 (.748)
22 (.866)	2421T130	36 (1.42)	70 (2.76)	22 (.866)	12.7 (.50)	11.5 (.453)	48 (1.89)	23 (.906)
28 (1.10)	2421T115	41 (1.614)	109 (4.29)	22 (.866)	12.7 (.50)	14.5 (.571)	60 (2.36)	29 (1.14)
35 (1.38)	2421T314	55 (2.17)	90 (3.54)	45 (1.77)	20 (.787)	20.5 (.807)	81 (3.19)	41 (1.61)

Unit: mm (inches)

KOBELCO LUBRICANTS AND PAINT

KOBELCO (Brand) FLUIDS & LUBRICANTS

PART NUMBER	DESCRIPTION
KSP1000-1001	ENGINE OIL- SAE 15W/40 (QUARTS)
KSP1000-1005	ENGINE OIL- SAE 15W/40 (5 GALLON)
KSP1000-1055	ENGINE OIL- SAE 15W/40 (55 GALLON)
KSP1000-2005	HYDRAULIC OIL- AW 46 (5GALLON)
KSP1000-2055	HYDRAULIC OIL- AW 46 (55 GALLON)
KSP1000-4014	GREASE EP/2- 14 OUNCE
KSP1000-4035	GREASE EP/2- 35 POUNDS
KSP1000-120	GREASE EP/2- 120 POUNDS
KSP1000-3035	GEAR OIL 80W90- 5 GALLONS

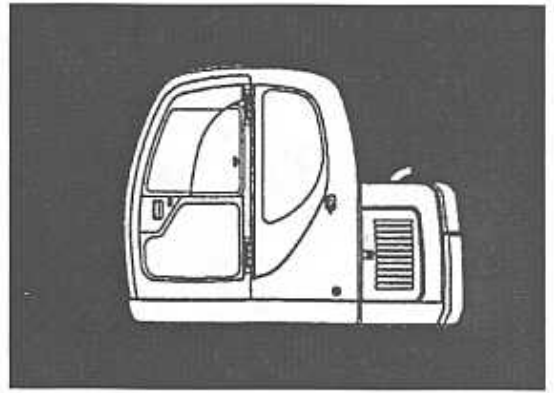
KOBELCO PAINTS

PART NUMBER	DESCRIPTION
KSP4000-101S	SILVER, 1 GALLON
KSP4000-201G	GRAY, 1 GALLON
KSP1000-801Y	YELLOW, 1 GALLON
KSP4000-112S	SILVER, SPRAY
KSP4000-212G	GRAY, SPRAY
KSP1000-812Y	YELLOW, SPRAY

**KOBELCO WIRING HARNESS &
CONNECTOR MASTER REPAIR KIT
24100J18668F1**

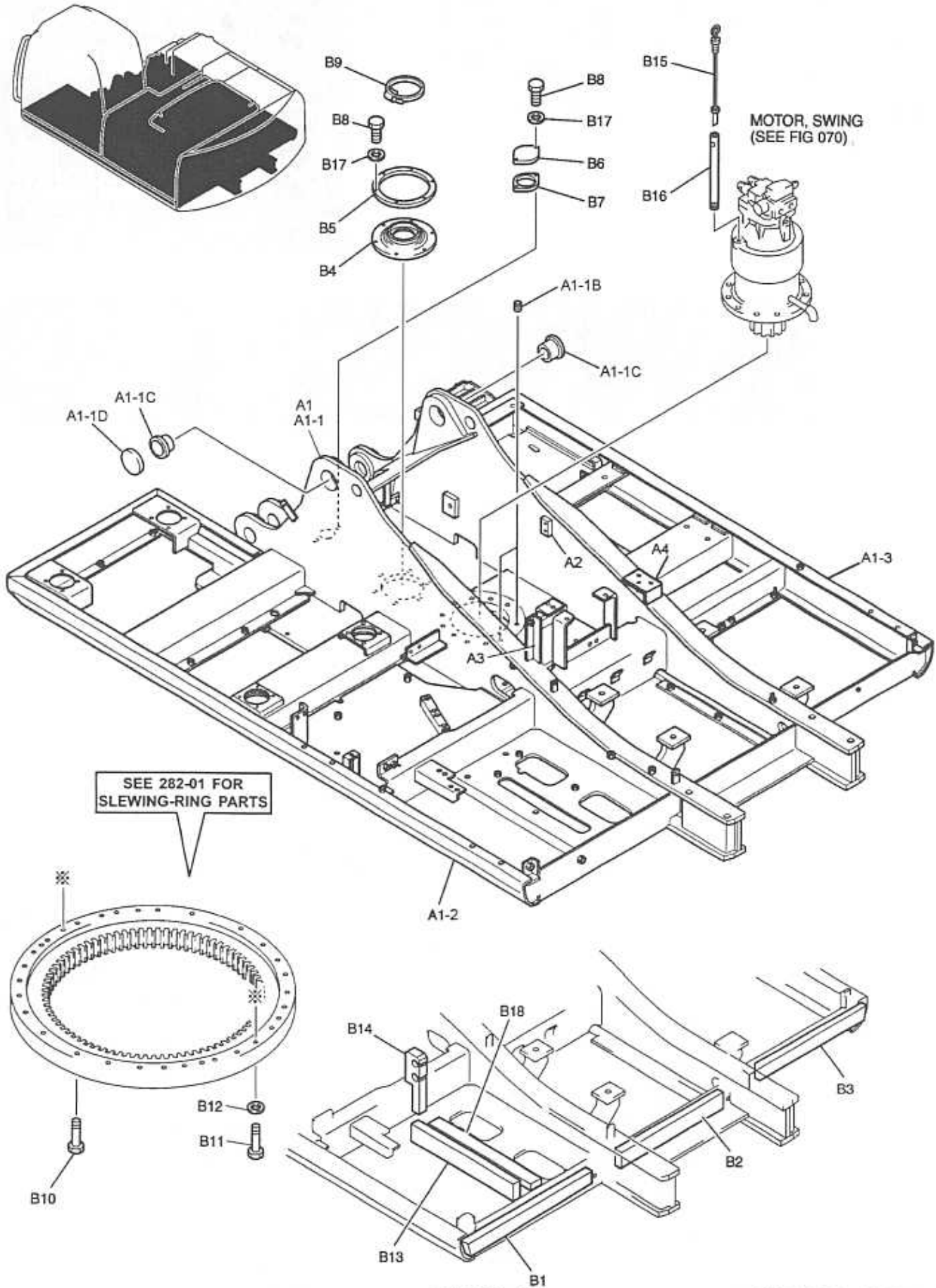
YQ07U0969-

PART NUMBER	DESCRIPTION
24100J18668F1	<p data-bbox="722 688 959 741">MASTER REPAIR KIT, HARNESS CONNECTOR</p> <p data-bbox="722 779 1008 978">CONTAINS 3,777 PIECES OF 137 DIFFERENT ITEMS: CONNECTORS, TERMINALS, SEALS, etc. TO REPAIR KOBELCO WIRING HARNESSES AND CONNECTORS.</p> <p data-bbox="722 1016 967 1125">CONTAINS SPECIAL RELEASE TOOLS & 2 STRIPPING & CRIMPING TOOLS.</p> <p data-bbox="722 1163 984 1215">INCLUDES THE GREEN 2P & 5P DIODES, TAPES, etc.</p> <p data-bbox="722 1253 1024 1335">REFER TO KAI SERVICE BULLETINS HE-290 & HE-290S FOR ADDITIONAL DETAILS</p>



SUPERSTRUCTURE

UPPER FRAME ASSEMBLY



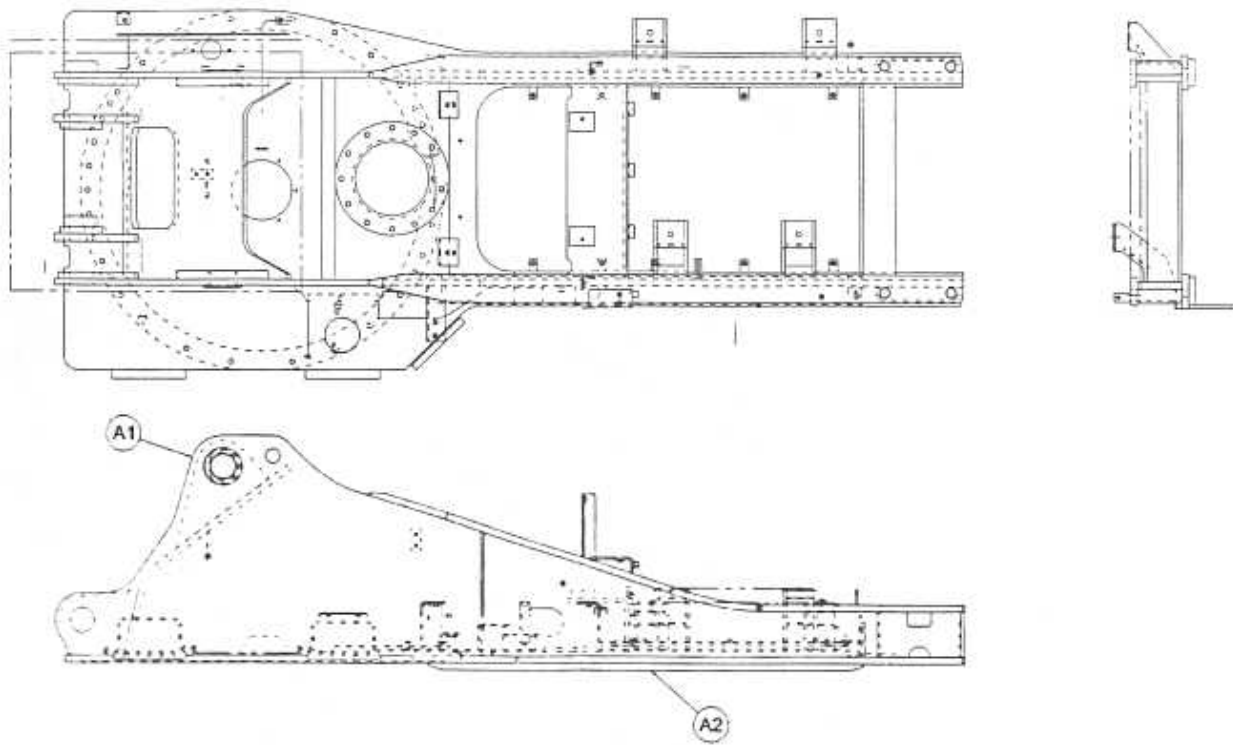
UPPER FRAME ASSEMBLY

YQ08U0969-

ITEM	PART NUMBER	DESCRIPTION	QTY	
		UPPER FRAME ASSY		
	YN52F00230P1	UPPER FRAME ASSY		
A1	YN52F00221P1	FRAME, UPPER	1	
A1-1	YN52F00203F2	CENTER SECTION	1	
A1-1B	ZS83C20020	SETSCREW	1	M20X20mm
A1-1C	2405T1256	BUSHING	2	
A1-1D	2414T2784	COVER	1	
A1-2	YN53F00052P1	DECK, L/H	1	
A1-3	YN53F00053P1	DECK, R/H	1	
A2	2416T20618	BLOCK, TAPPED	2	
A3	YN52F01409P1	BRACKET	1	
A4	YN52F01220P1	SUPPORT	1	
		UPPER FRAME GROUP		
	YN52F00204F2	UPPER FRAME GROUP		
B1	YN52F01420P1	INSULATION	1	
B2	YN52F01421P1	INSULATION	1	
B3	YN52F01422P1	INSULATION	1	
B4	LQ52F01081P1	SEAL	1	
B5	YN52F01158P1	PLATE	1	
B6	YN52F01159P1	PLATE	1	
B7	2416Z434	PACKING	1	
B8	ZS18C10025	CAPSCREW	8	M10X25mm
B9	ZC16X14800	CLIP	1	
B10	YN52D01100D1	CAPSCREW	31	M20X105mm
B11	2420T4564D1	BOLT, REAMER	2	M20X110mm
B12	ZW13H20000	WASHER	2	M20
B13	YN52F01380P1	INSULATION	1	
B14	YN52F01395P1	INSULATION	1	
B15	2420R561D1	DIPSTICK	1	
B16	YN32W01038D1	TUBE	1	
B17	YN52F01157P1	SEAL	8	
B18	YN52F01381P1	INSULATION	1	

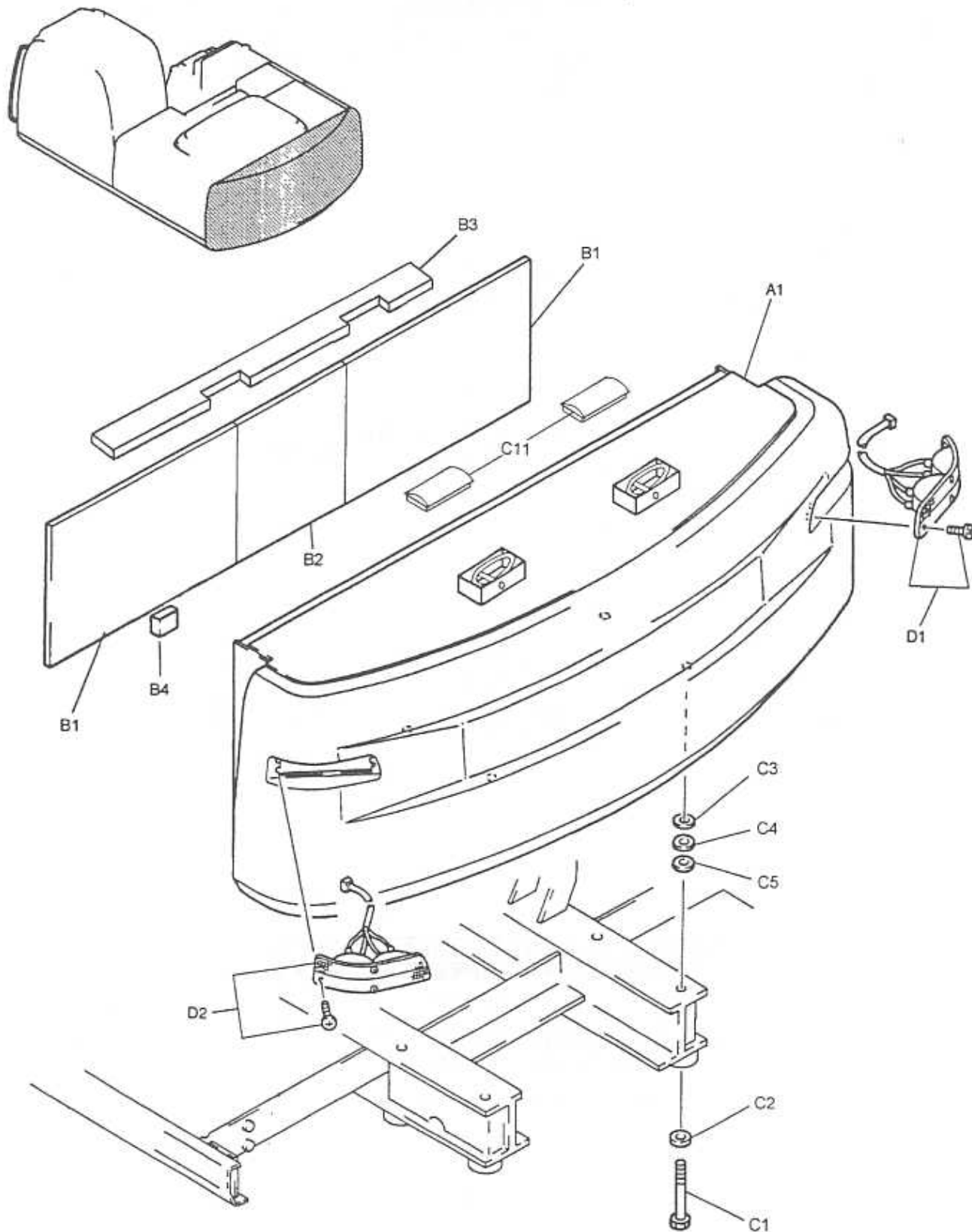
UPPER FRAME (REWORK) (LOGGER)

YQ08U0969-



ITEM	PART NUMBER	DESCRIPTION	QTY
	YN52FU00009F1	UPPER FRAME REWORK (Logger)	
A1	YN52F00162P1	UPPER FRAME ASSY	1
A2	YN53FU1009P1	PLATE	2

COUNTERWEIGHT ASSEMBLY

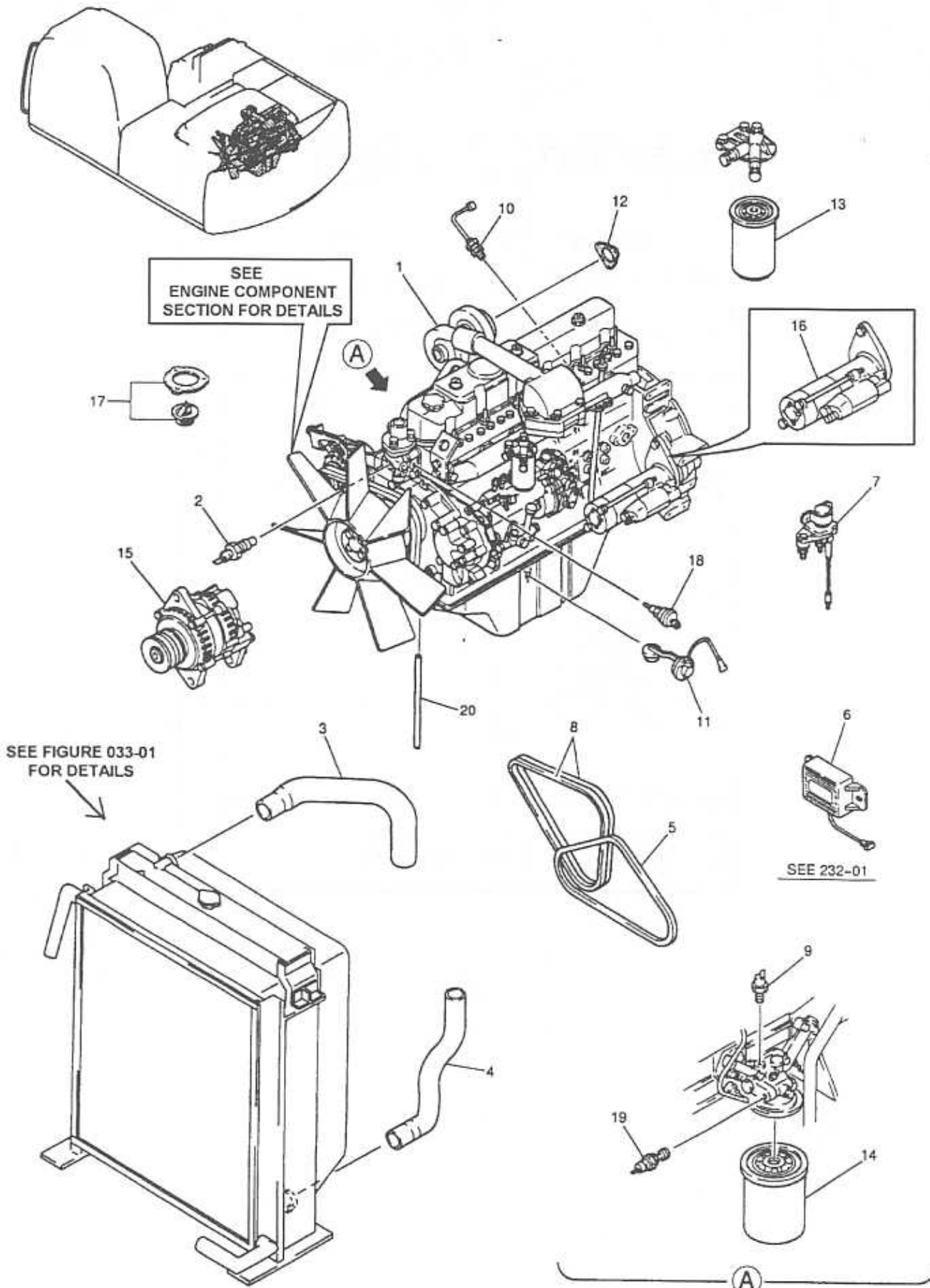


COUNTERWEIGHT ASSEMBLY

YQ08U0969-

ITEM	PART NUMBER	DESCRIPTION	QTY	
		COUNTERWEIGHT ASSY		
A1	YN60C00124D1	COUNTERWEIGHT ASSY, STD (5.092 Tons)	1	
	YN60C00084D2	COUNTERWEIGHT ASSY, 50' Long Reach (3.142 Tons)	1	
	YN60CU0007D1	COUNTERWEIGHT ASSY, LOGGER (6.71 Tons)	1	
	YN60C00125F1 (p/n na)	COUNTERWEIGHT ASSY, STD COUNTERWEIGHT ASSY, TROPICAL		
B1	YN60C01140P1	INSULATION	2	
B2	YN60C01141P1	INSULATION	1	
B3	YN60C01241P1	INSULATION	1	
B4	LQ60C01133P1	INSULATION	1	
	YN60C00104F2	COUNTERWEIGHT INSTAL		
C1	HS13C27290G2	CAPSCREW	4	M27X290mm
C2	HY26Y28060G2	WASHER	4	M28
C3	YN60C01242D1	SHIM, t1.6	3	
C4	YN60C01242D2	SHIM, t2.3	3	
C5	YN60C01242D3	SHIM, t3.2	4	
C11	(N/A)	PLUG		CW Accessory
	YN80ED0030F1	LAMP INSTAL		
D1	YN80S00015F3	LAMP, FLASHER (R-H)	1	See 268-01-1
D2	YN80S00015F4	LAMP, FLASHER (LH)	1	See 268-01-1

ENGINE ASSEMBLY

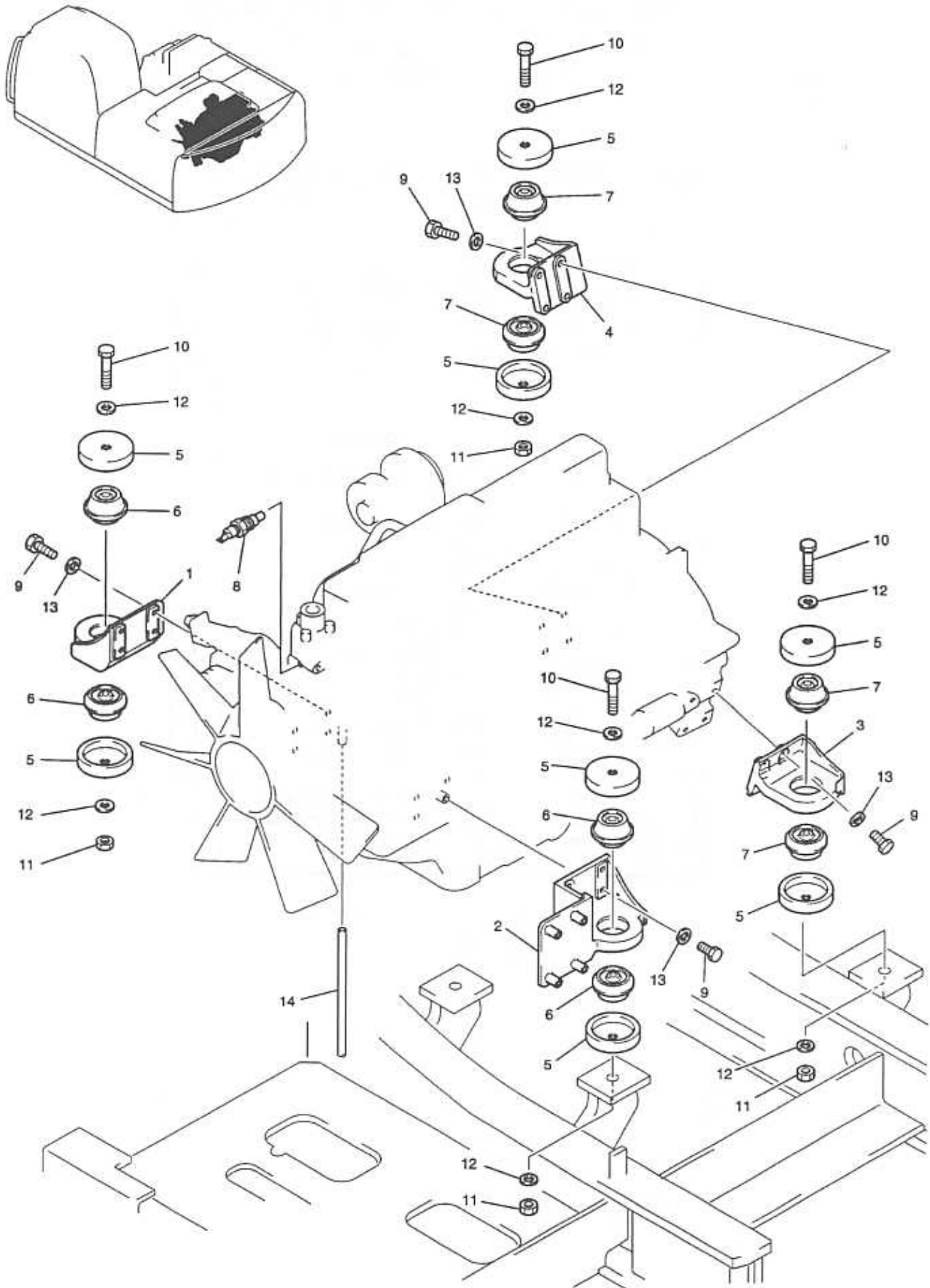


ENGINE ASSEMBLY

YQ08U0969~

ITEM	PART NUMBER	DESCRIPTION	QTY
		ENGINE ASSY	
1	YN02P00024F2	ENGINE 6D34-TLED	1
2	YT52S00001P1	SENSOR, THERMO (SE-14)	1
3	YN05P01046P1	HOSE, UPPER RADIATOR	1
4	YN05P01045P1	HOSE, LOWER RADIATOR	1
5	YN20M01282D1	V-BELT (AIR CONDITIONER)	1
MITSUBISHI COMPONENTS			
6	VAMED77148	RELAY, ALTERNATOR SAFETY (R-4)	1
7	VAMED72890	RELAY, INTAKE AIR HEATER (R-3 Glow)	1
8	VAMH014090	V-BELT (2-BELT SET)	1 (L=1195mm)
9	VAMC840219	SWITCH, OIL PRESSURE (SW-7)	1
10	VAMC849577	SENSOR, SPEED (SE-13 RPM)	1
11	VAMC867765	SENSOR, OIL PAN LEVEL	1
12	VAMED88841	GASKET, EXHAUST PIPE	1
13	VAMED15254	FILTER, FUEL (SPIN-ON)	1
14	VAMED88532	FILTER, OIL (SPIN-ON)	1
15	VAMED88887	ALTERNATOR ASSY (35A)	1
16	VAMED49303	STARTER ASSY (5.0 KW)	1
17	VAMED995106	THERMOSTAT KIT	1
18	VAMED39860	SWITCH, THERMO (SW-6 Water)	1 105° C
19	VAMED84614	VALVE, OIL COOLER BY-PASS	1
20	VAME219070	HOSE, BREATHER	1 25.4 X 550

ENGINE INSTALLATION



ENGINE INSTALLATION

YQ08U0969-

ITEM	PART NUMBER	DESCRIPTION	QTY	
	YN02P00025F1	ENGINE INSTALLATION		
1	YN02P01019P1	BRACKET	1	
2	YN02P01041P1	BRACKET	1	
3	YN02P01014P1	BRACKET	1	
4	YN02P01042P1	BRACKET	1	
5	YN02P01024P2	COVER	8	
6	YN02P01022P1	MOUNT, RUBBER (BLUE)	4	
7	YN02P01023P1	MOUNT, RUBBER (BLACK)	4	
8	YT52S00001P1	SENSOR, TEMP	1	
9	ZS18C10030	CAPSCREW	16	M10X30mm
10	ZS18C18130	CAPSCREW	4	M18X130mm
11	ZN18C18015	NUT	4	M18
12	ZW16H18000	WASHER	8	M18
13	ZW16H10000	WASHER	16	M18
		MITSUBISHI COMPONENTS		
14	VAME219070	HOSE, BREATHER	1	25.4 X 550

RADIATOR INSTALLATION

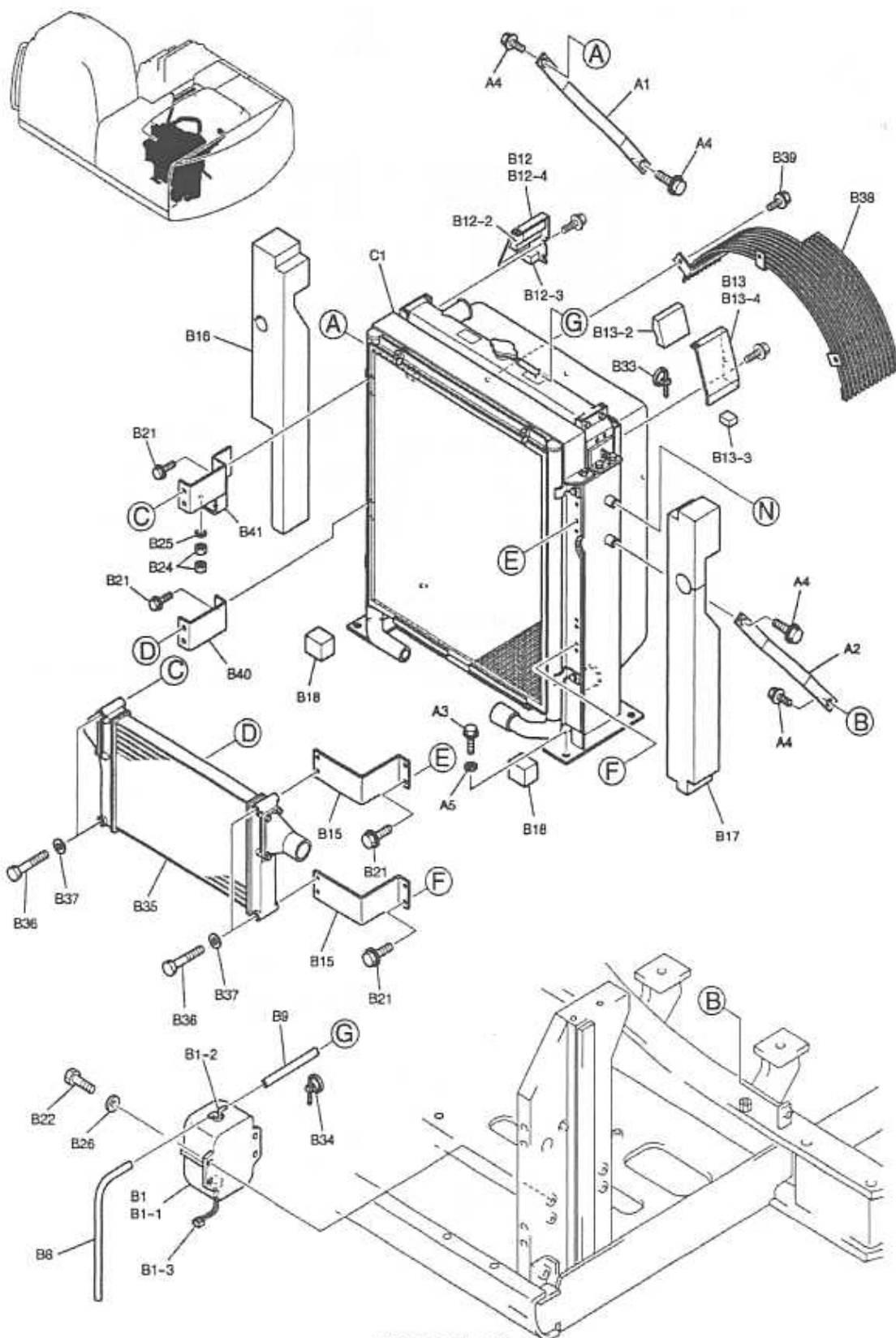
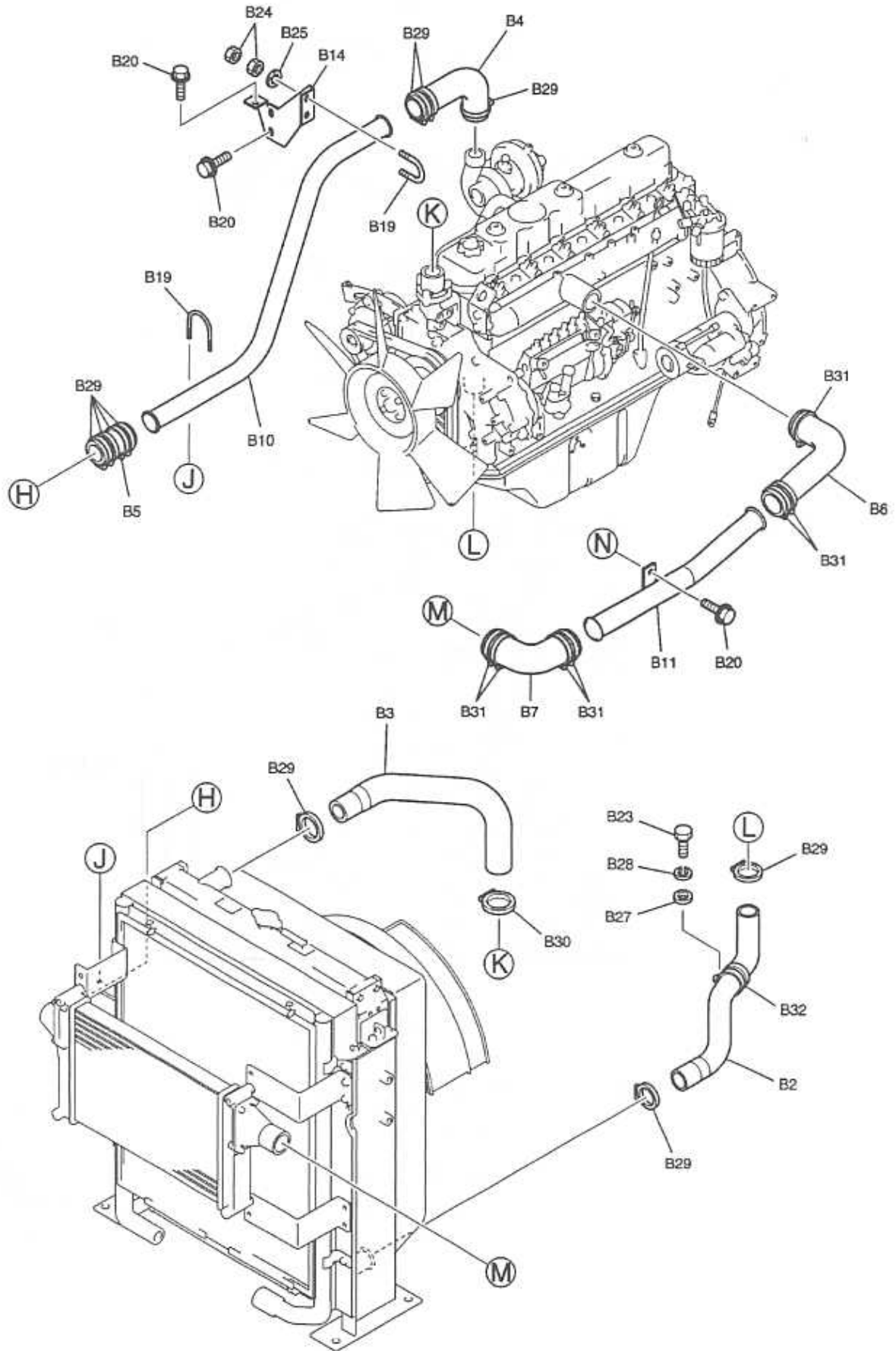


FIG 030-01-1 ①

RADIATOR INSTALLATION

YQ08U0969~



RADIATOR INSTALLATION

ITEM	PART NUMBER	DESCRIPTION	QTY
		RADIATOR INSTALLATION	
	YN05P00037F1	RADIATOR INSTALLATION	
A1	YN05P01143P1	STAY	1
A2	YN05P01144P1	STAY	1
A3	ZS18C12035	CAPSCREW	4
A4	ZM32C12025	SEMS BOLT	4
A5	ZW16H12000	WASHER	4
	YN05P00036F1	RADIATOR GROUP	
B1	YN05P01041F1	TANK ASSY, WATER	1
B1-1	YN05P01042S001	TANK, WATER	1
B1-2	YN05P01043S002	CAP ASSY	1
B1-3	2427U203S6	SWITCH ASSY	1
B2	YN05P01045P1	HOSE, RADIATOR	1
B3	YN05P01046P1	HOSE, RADIATOR	1
B4	YN05P01178P1	HOSE	1
B5	YN05P01131P1	HOSE	1
B6	YN05P01169P1	HOSE	1
B7	YN05P01133P1	HOSE	1
B8	HX11Y05060DX	HOSE	1
B9	2452U416S4	HOSE	1
B10	YN05P01179P1	TUBE	1
B11	YN05P01171P1	TUBE	1
B12	YN05P01099F2	PLATE ASSY	1
B12-2	YN05P01102P1	INSULATION	1
B12-3	YN05P01103P1	INSULATION	1
B12-4	YN05P01172P1	PLATE	1
B13	YN05P01100F2	PLATE ASSY	1
B13-2	YN05P01101P1	INSULATION	1

(LOWER)
(UPPER)

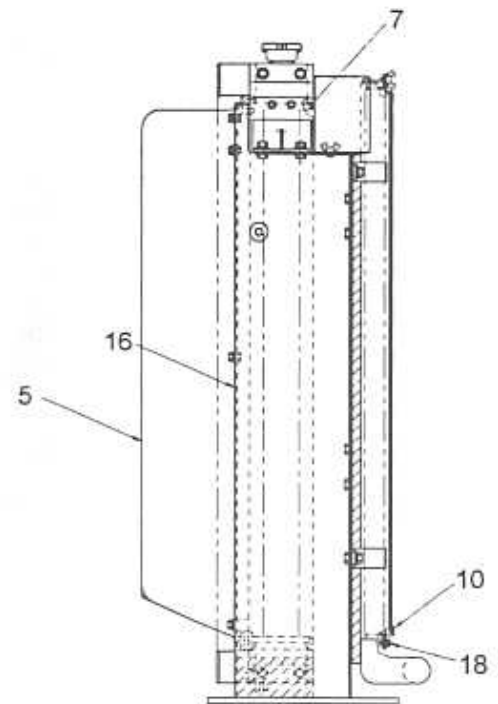
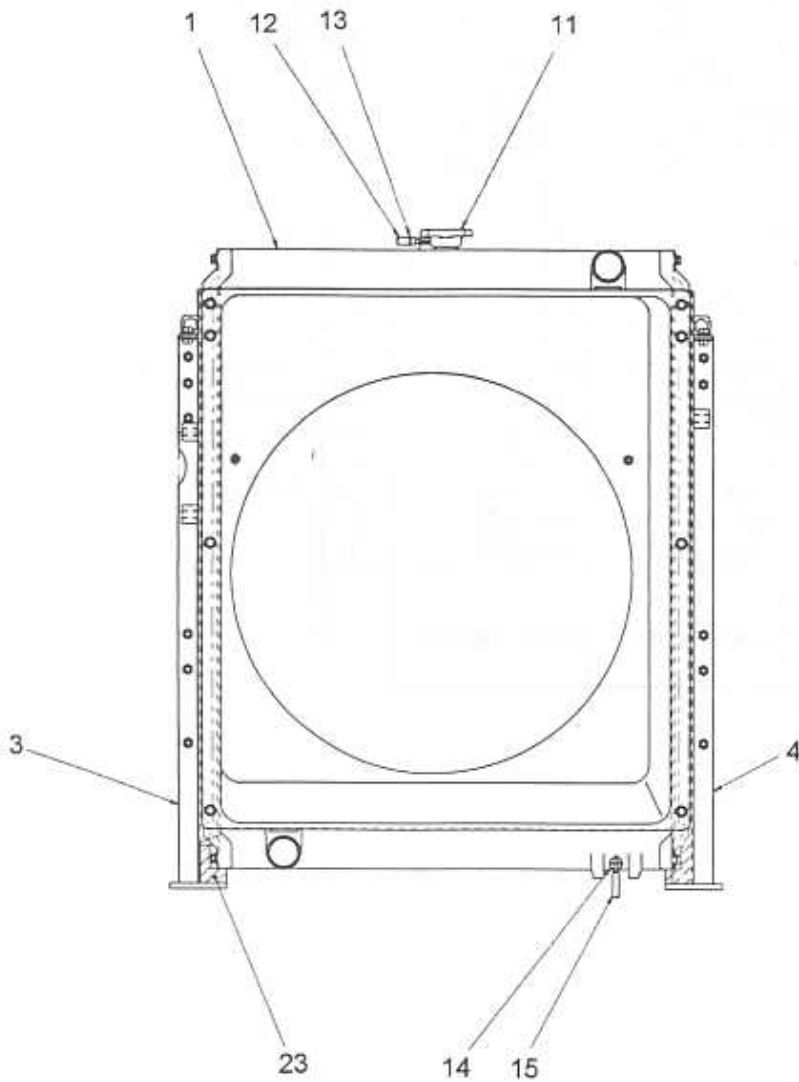
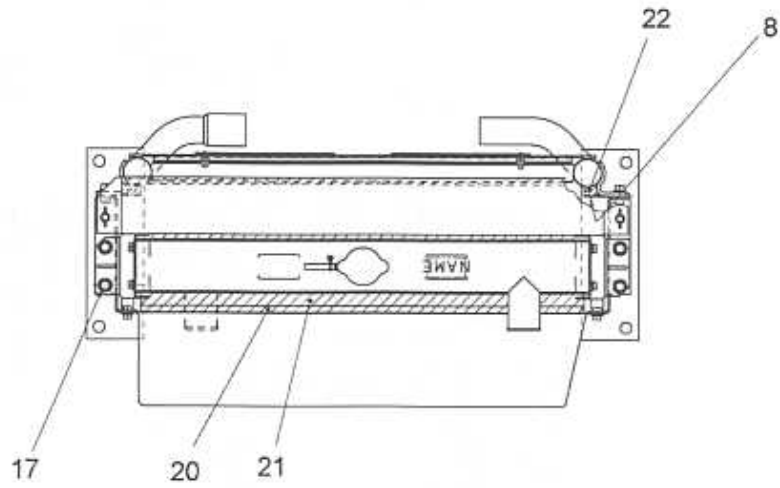
(L=1500mm)

RADIATOR INSTALLATION

YQ08U0969-

ITEM	PART NUMBER	DESCRIPTION	QTY	
B13-3	YN05P01103P1	INSULATION	1	
B13-4	YN05P01167P1	PLATE	1	
B14	YN05P01180P1	BRACKET	1	
B15	YN05P01158P1	BRACKET	2	
B16	YN05P01173P1	INSULATION	1	
B17	YN05P01139P1	INSULATION	1	
B18	YN05P01126P1	INSULATION	2	
B19	2420T2948D4	U-BOLT	2	
B20	ZM22C12030	SEMS-BOLT	4	(M12X30mm)
B21	ZM22C10025	SEMS-BOLT	8	(M10X25mm)
B22	ZS18C08020	CAPSCREW	4	(M8X20mm)
B23	ZS18C10025	CAPSCREW	1	(M10X25mm)
B24	ZN18C08007	NUT	8	(M8)
B25	ZW16H08000	WASHER	4	(M8)
B26	ZW16X08000	WASHER	4	(M8)
B27	ZW16X10000	WASHER	1	(M10)
B28	ZW26X10000	LOCK WASHER	1	(M10)
B29	ZC16X05800	CLIP	10	
B30	ZC16X06700	CLIP	1	
B31	ZC16X07000	CLIP	7	
B32	YW11P01010P1	CLIP	1	
B33	PY01P01043D2	CLIP	1	
B34	YN03ED1001D5	CLIP	1	
B35	(MTSUBISHI PN)	INTERCOOLER	1	(See Engine Section)
B36	ZS18C10100	CAPSCREW	4	(M10X100mm)
B37	ZW16H10000	WASHER	4	(M10)
B38	YN05P01161P1	GUARD	1	
B39	ZM22C08020	SEMS-BOLT	3	(M8X20mm)
B40	YN05P01159P1	BRACKET	1	
B41	YN05P01160P1	BRACKET	1	
C1	YN05P00035F1	RADIATOR ASSY	1	See p. 038-01-1

RADIATOR ASSEMBLY

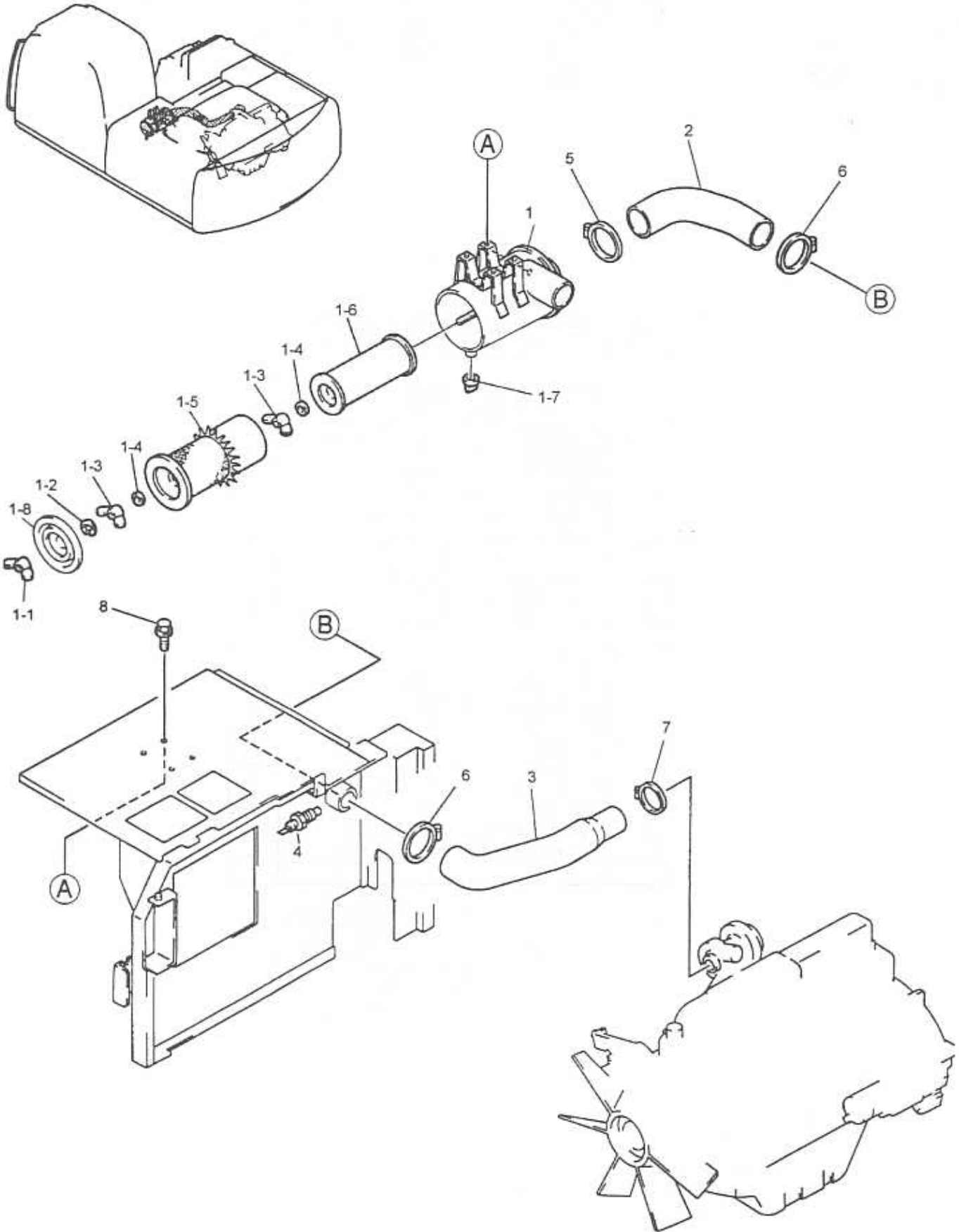


RADIATOR ASSEMBLY

YQ08U0969-

ITEM	PART NUMBER	DESCRIPTION	QTY
	YN05P00035F1	RADIATOR ASSY	
1	YN05P00035S001	RADIATOR ASSY	1
2	YN05P00035S002	COOLER, OIL	1
3	YN05P00035S003	SUPPORT	1
4	YN05P00035S004	SUPPORT	1
5	YN05P00024S005	SHROUD	1
6	YN05P00035S006	PLATE	1
7	YN05P00007S009	PACKING	2
8	YN05P00035S008	PLATE	2
9	YN05P00035S009	GUARD	1
10	YN05P00029S023	PLATE	1
11	YN05P00010S006	CAP	1
12	2452U416S4	HOSE	1
13	2452U267S8	CLIP	2
14	YN05P00010S007	COCK, DRAIN	1
15	2452U416S6	PIPING, DRAIN	1
16	PY05P00002S009	BOLT	8
17	2452U400S4	BOLT	8
18	YN05P00007S016	BOLT ASSY	2
19	2452U202S5	BOLT, WING	4
20	YM05P00003S017	PACKING	2
21	YN05P00035S021	INSULATION	2
22	YB05P00001S022	INSULATION	2
23	YN05P00035S023	INSULATION	2

AIR CLEANER ASSEMBLY



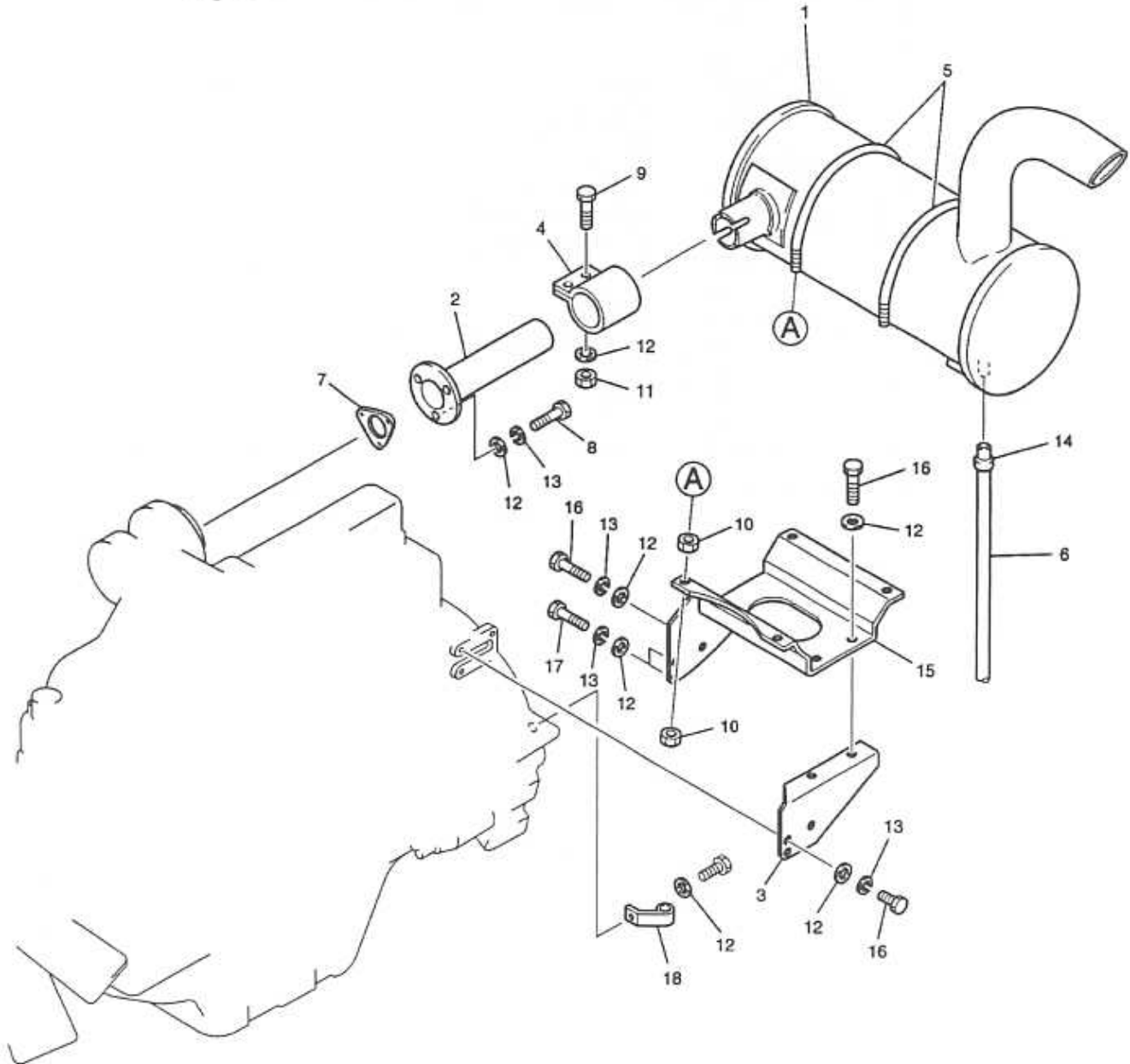
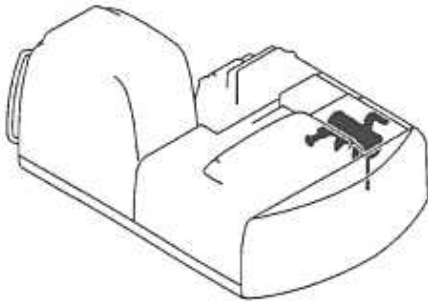
AIR CLEANER ASSEMBLY

YQ08U0969-

ITEM	PART NUMBER	DESCRIPTION	QTY
	YN11P00015F1	AIR CLEANER ASSY	
1	YN11P00014F1	CLEANER, AIR	1
1-1	2446R254S1	NUT, WING	1
1-2	2446R254S2	E-RING	1
1-3	2446R254S3	NUT, WING	2
1-4	2446R254S4	WASHER	2
1-5	2446R255S5	FILTER, OUTER AIR	1
1-6	2446R255S6	FILTER, INNER AIR	1
1-7	2446R255S7	VALVE, DUST EJECTOR	1
1-8	2446R277S8	COVER	1
2	YN11P01040P1	HOSE, AIR	1
3	YN11P01026P1	HOSE, AIR	1
4	LE11P01015F1	INDICATOR, AIR CLEANER INTAKE	1
5	ZC16X11000	CLIP	1
6	ZC16X10000	CLIP	2
7	ZC16X06700	CLIP	1
8	ZM22C10025	SEMS-BOLT	4

(M10X25mm)

MUFFLER ASSEMBLY

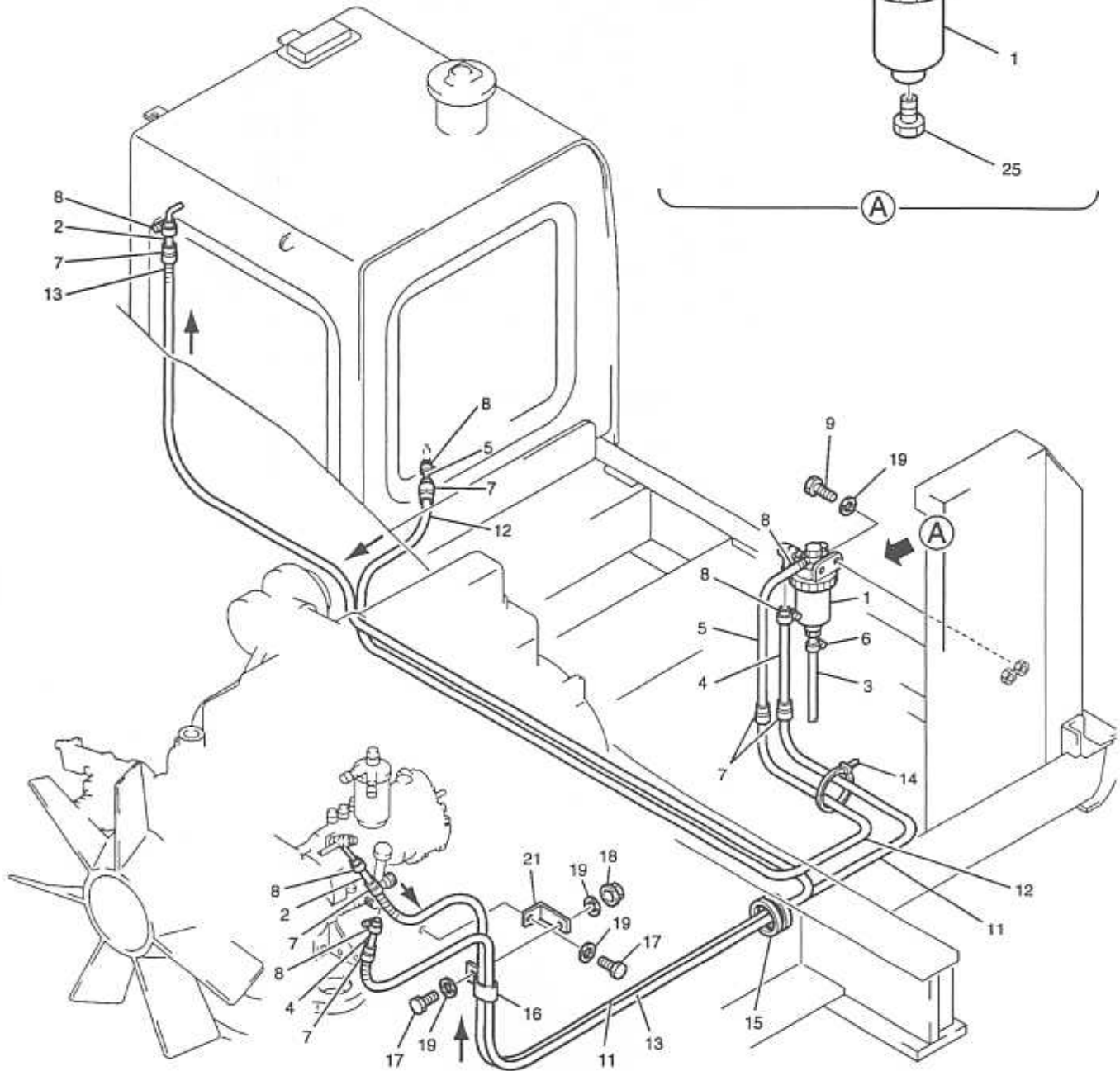
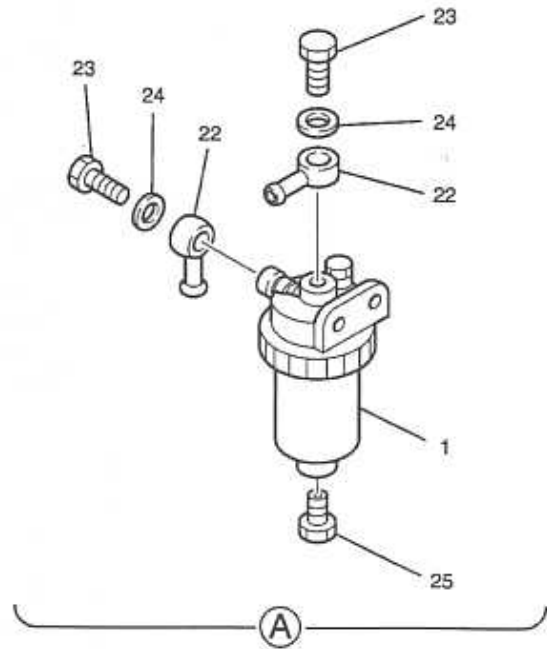
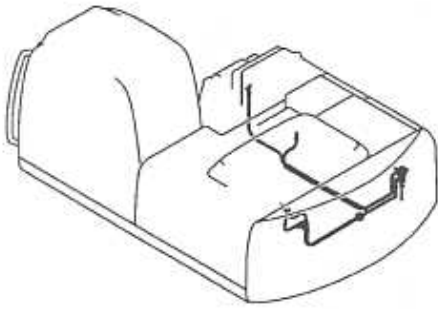


MUFFLER ASSEMBLY

YQ08U0969-

ITEM	PART NUMBER	DESCRIPTION	QTY
	YN12P00025F1	MUFFLER ASSY	
1	YN12P00029P1	MUFFLER	1
2	YN12P01076P1	TUBE, EXHAUST	1
3	YN12P01044P1	BRACKET	1
4	YN12P01023P1	CLAMP ASSY	1
5	HR91C08000GK	U-BOLT	2 (M8)
6	HX11Y07068DX	HOSE	1 (L=680mm)
8	ZS18C10020	CAPSCREW	3 (M10X20mm)
9	ZS18C10035	CAPSCREW	2 (M10X35mm)
10	ZN18C08007	NUT	8 (M8)
11	ZN18C10008	NUT	2 (M10)
12	ZW16X10000	WASHER	14 (M10)
13	ZW26X10000	LOCK WASHER	9 (M10)
14	ZC16X01200	CLIP	1
15	YN12P01049P1	BRACKET	1
16	ZS18C10025	CAPSCREW	6 (M10X25mm)
17	ZS18C10030	CAPSCREW	2 (M10X30mm)
18	YN12P01083P1	PLATE	1
	MITSUBISHI COMPONENT		
7	VAMED88841	GASKET	1

FUEL LINES



FUEL LINES

YQ08U0969-

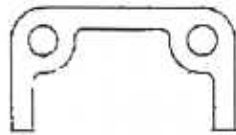
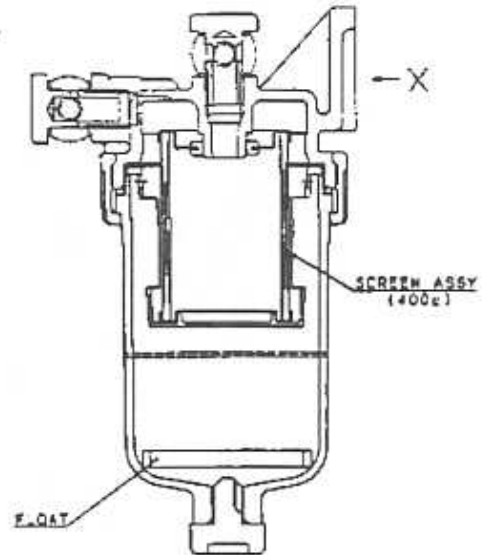
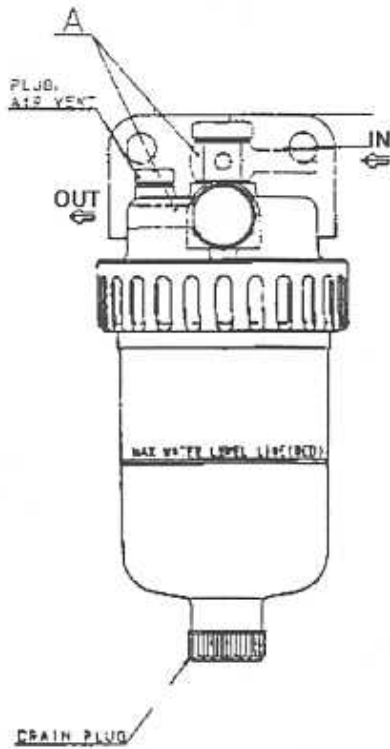
ITEM	PART NUMBER	DESCRIPTION	QTY	
	YN21P00010F1	FUEL LINES		
1	YN02P01045F1	SEPARATOR ASSY, WATER	1	See P. 053-01-1
2	2444R2492D360	HOSE	1	(L=3600mm)
3	HX11Y06032DX	HOSE	1	(L=320mm)
4	2444R2492D190	HOSE	1	(L=1900mm)
5	2444R2492D310	HOSE	1	(L=3100mm)
6	ZC16X01200	CLIP	1	
7	PY01P01043D2	CLIP	6	
8	ZC16X01800	CLIP	6	
9	ZS18C10030	CAPSCREW	2	(M10X30mm)
11	2418Z1333D35	TUBE	1	(L=1800mm)
12	LS21P01001D9	TUBE	1	(L=3000mm)
13	2418Z1333D19	TUBE	1	(L=3500mm)
14	PY01P01043D3	CLIP	1	
15	YN21P01003P1	GROMMET	1	
16	ZC48X24014	CLIP	1	
17	ZS18C10020	CAPSCREW	2	(M10X20mm)
18	ZN18C10008	NUT	1	(M10)
19	ZW16X10000	WASHER	5	(M10)
21	YN21P01015P1	BRACKET	1	
22	(NA)	JOINT	2	See P. 053-01-1
23	(NA)	BOLT, EYE	2	See P. 053-01-1
24	(NA)	SEAL	4	See P. 053-01-1
25	(NA)	COCK, DRAIN	1	See P. 053-01-1

FILTER ASSEMBLY

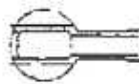
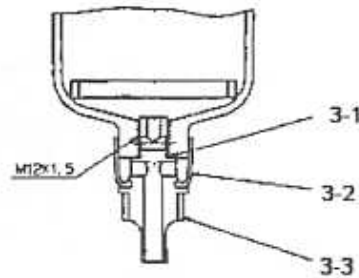
YQ08U0969-



ITEM	PART NUMBER	DESCRIPTION	QTY	
	YN02P01045F1	SEPARATOR ASSY, WATER		
1	(p/n NA)	SEPARATOR, WATER	1	(ME091412)
2	(p/n NA)	JOINT, SWIVEL	2	(MH037116)
3	(p/n NA)	COCK, DRAIN	1	(ME037893)
3-1	(p/n NA)	O-RING	1	(MF520085)
3-2	(p/n NA)	CUP, DRAIN	1	(ME037895)
3-4	(p/n NA)	PLUG, DRAIN	1	(ME037894)



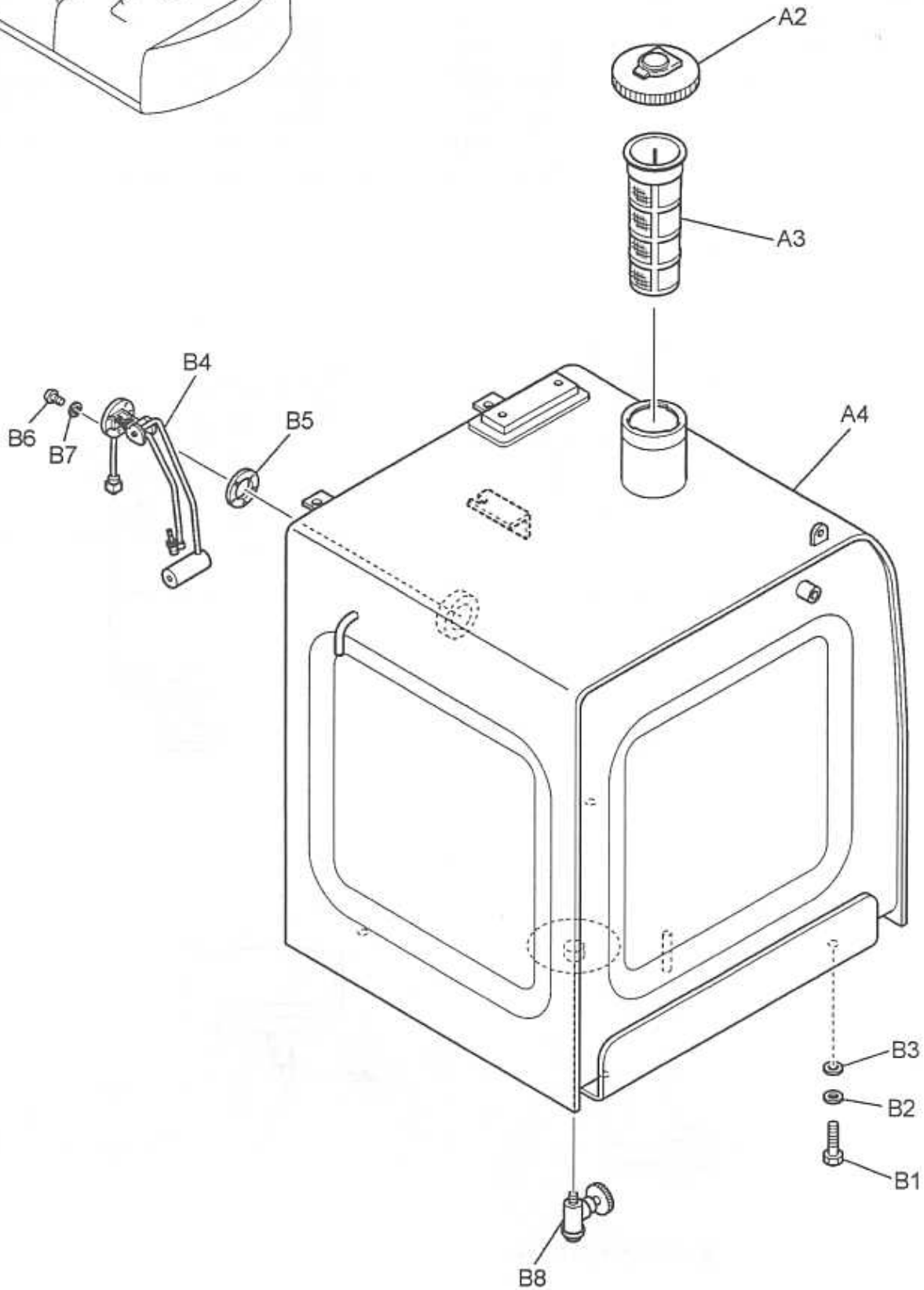
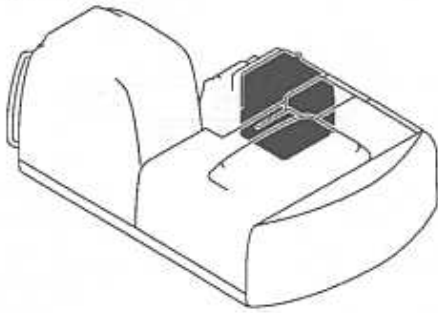
X



A (NIPPLE SWIVELING)

YQ08U0969-

FUEL TANK ASSEMBLY



056-01-1

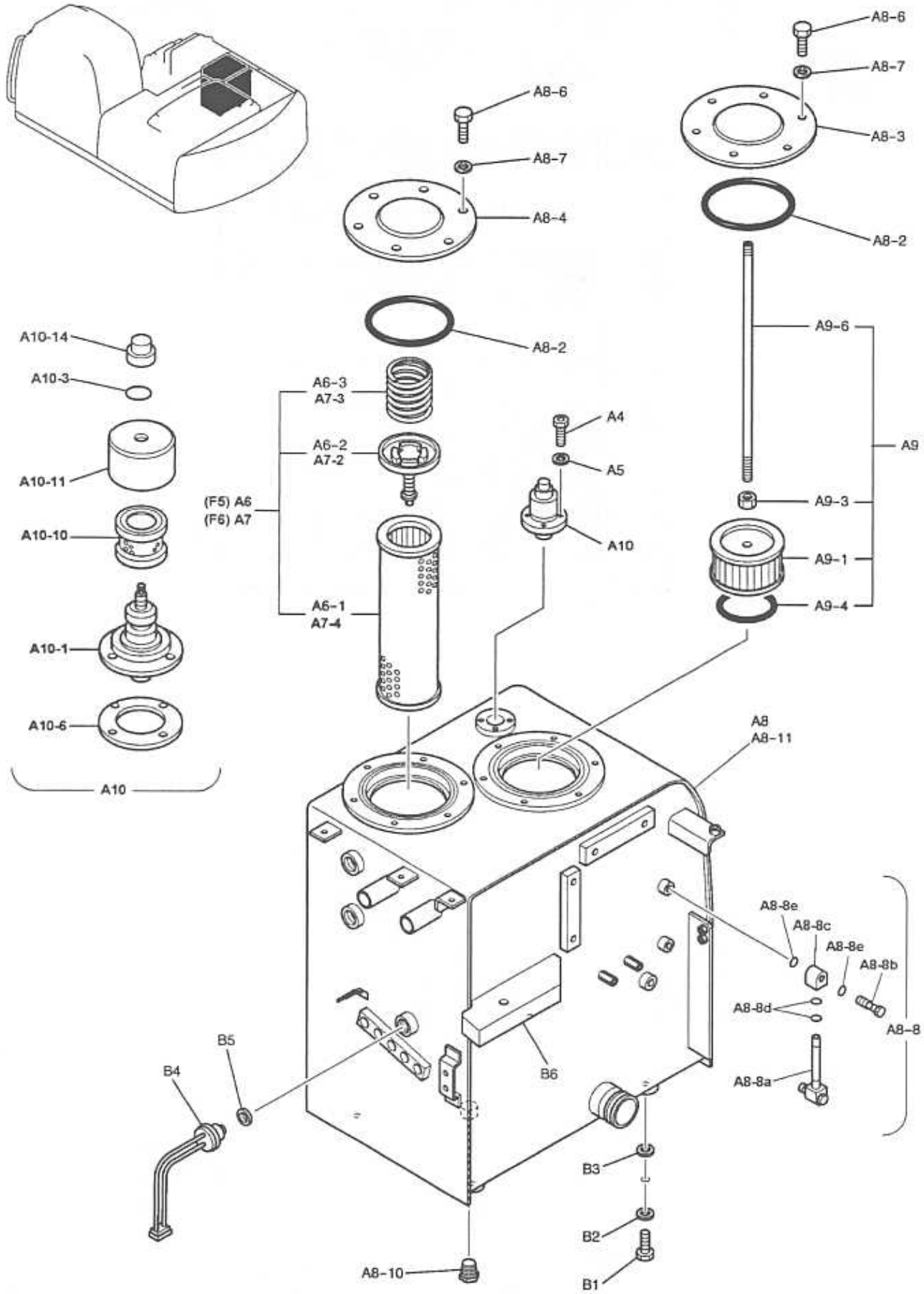
SK210LC-6E DA.mc PM, REV.0 09/02

FUEL TANK ASSEMBLY

YQ08U0969-

ITEM	PART NUMBER	DESCRIPTION	QTY	
		FUEL TANK ASSY		
	YN20P00057F2	TANK ASSY, FUEL		
A2	YN20P01034P1	CAP	1	
A3	YN50V00017P1	STRAINER	1	
A4	YN20P00067P1	TANK, FUEL	1	
	YN20P00058F1	TANK INSTAL, FUEL		
B1	ZS13C16040	CAPSCREW	4	(M16X40mm)
B2	ZW13H16000	WASHER	4	(M16)
B3	LE33H01017D1	SHIM, t1.0	3	
B4	YF52S00001F1	SENSOR, LEVEL	1	
B5	2418T9962	PACKING	1	
B6	ZS31C05012	MACHINESCREW	5	(M5X12mm)
B7	ZW26X05000	LOCK WASHER	5	(M5)
B8	YN20P01117P1	COCK, DRAIN	1	

HYDRAULIC TANK ASSEMBLY

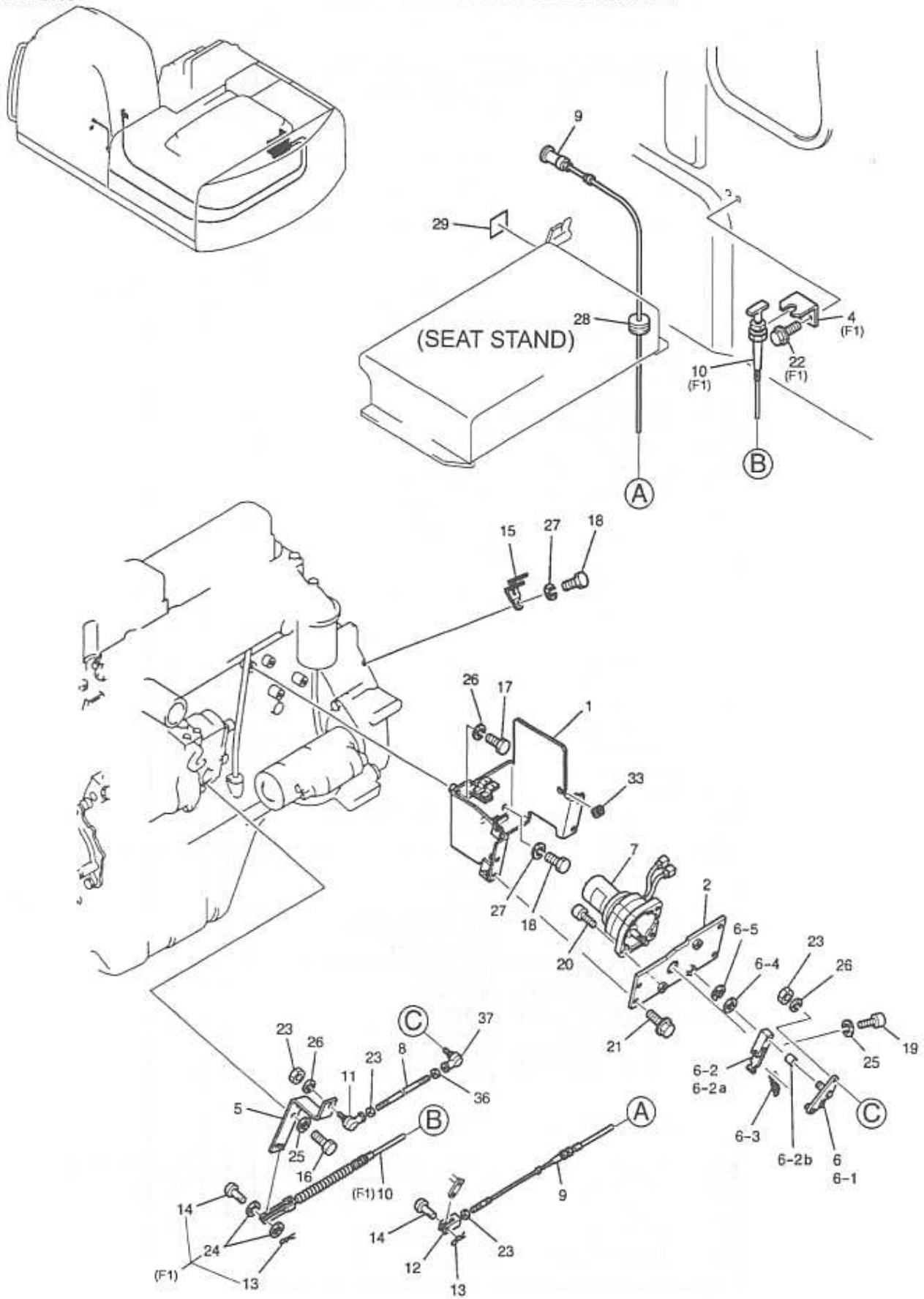


HYDRAULIC TANK ASSEMBLY

YQ08U0969~

ITEM	PART NUMBER	DESCRIPTION	QTY	QTY	
		HYDRAULIC TANK ASSY			
	YN33H00039F5	TANK ASSY, HYDRAULIC (Standard)	F5	-	
	YN33H00039F6	TANK ASSY, HYDRAULIC (N&B)	-	F6	
A4	ZS28C06016	CAPSCREW	4	4	(M6X16mm)
A5	ZW26K06000	LOCK WASHER	4	4	(M6)
A6	YN30T00007F1	ELEMENT KIT	1	-	(STD)
A6-1	YN50V00001P1	FILTER, RETURN	1	-	
A6-2	2446R131	VALVE, BY-PASS	1	-	
A6-3	LC33H01009P1	SPRING	1	-	
A7	YN30T00007F2	ELEMENT KIT	-	1	(N&B)
A7-2	2446R131	VALVE, BY-PASS	-	1	
A7-3	LC33H01009P1	SPRING	-	1	
A7-4	YN50V00009P1	FILTER, RETURN	-	1	
A8	YN33H00038F3	TANK ASSY	1	1	
A8-2	ZD11G20000	O-RING	2	2	
A8-3	LC33H01010P1	COVER	1	1	
A8-4	YN33H01021P1	COVER	1	1	
A8-6	ZS18C10020	CAPSCREW	12	12	(M10X20mm)
A8-7	ZW16X10000	WASHER	12	12	(M10)
A8-8	2489R293F1	GAUGE, LEVEL	1	1	
A8-8a	2489R173S1	GAUGE	1	1	
A8-8b	2489R174S3	BOLT	2	2	
A8-8c	2489R174S2	BLOCK	2	2	
A8-8d	ZD11P01800	O-RING	4	4	
A8-8e	ZD11P01000	O-RING	4	4	
A8-10	ZE72X08000	PLUG	1	1	
A8-11	YN33H00050P1	TANK	1	1	
A9	YW50V00004F3	STRAINER, SUCTION	1	1	
A9-1	YN50V00002S001	STRAINER	1	1	
A9-3	ZN11C10008	NUT	1	1	(M10)
A9-4	45Z91D6	O-RING	1	1	
A9-6	YW50V00004S006	BOLT	1	1	
A10	YN57V00002F5	BREATHER ASSY	1	1	
A10-1	2446U260S1	BODY ASSY	1	1	
A10-6	2446U260S8	PACKING	1	1	
A10-10	YN57V00002S010	ELEMENT	1	1	
A10-11	YN57V00002S011	COVER	1	1	
A10-13	ZD11P01400	O-RING	1	1	
A10-14	YN57V00002S014	NUT, CAP	1	1	
	YN33H00040F2	TANK INSTAL, HYDRAULIC			
B1	ZS13C16040	CAPSCREW	4	4	(M16x40mm)
B2	ZW13H16000	WASHER	4	4	(M16)
B3	LE33H01017D1	SHIM, t1.0	3	3	
B4	YN52S00023P1	SENSOR, LEVEL	1	1	
B5	YN33H01052P1	SEAL	1	1	

ENGINE CONTROL ASSEMBLY



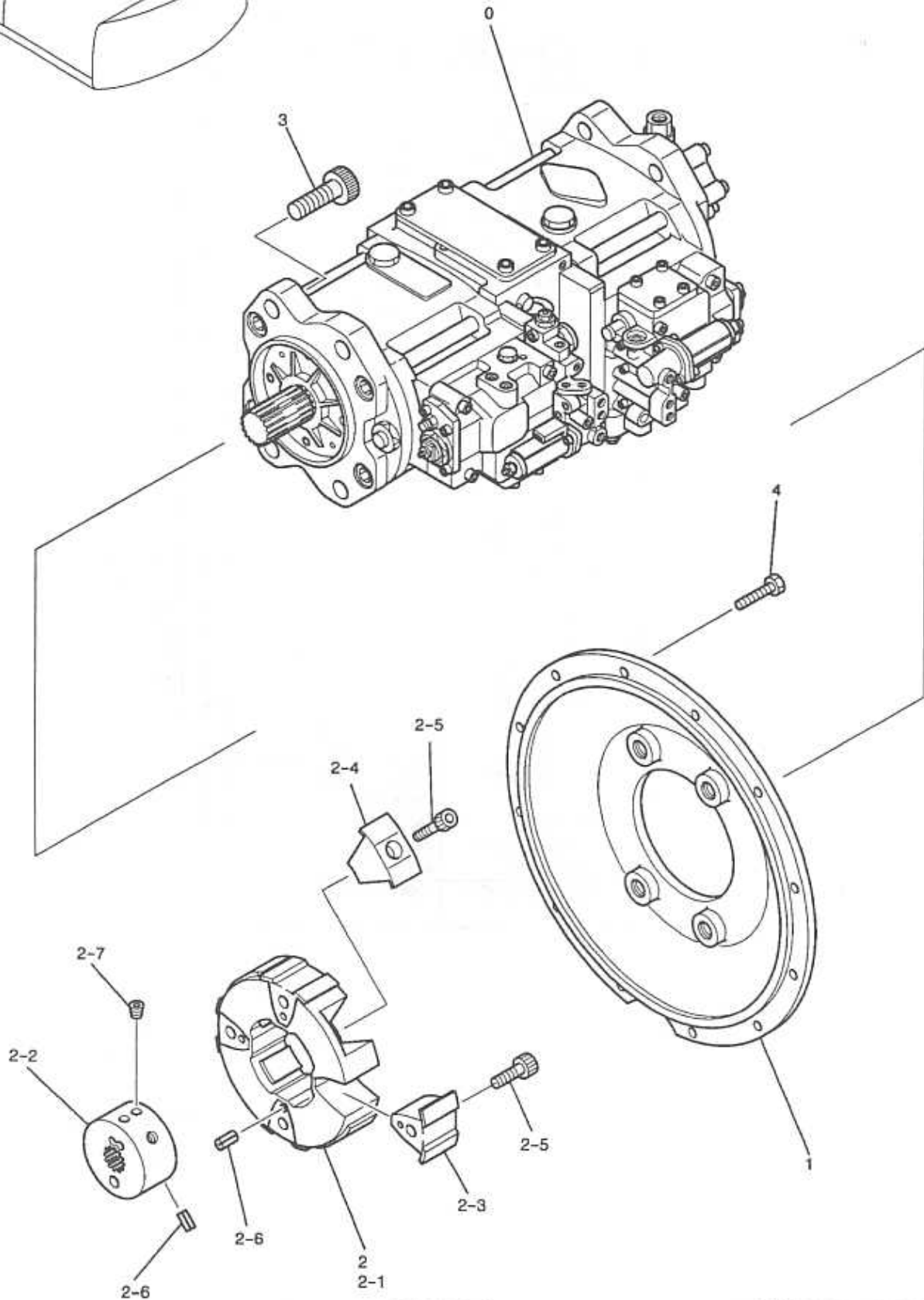
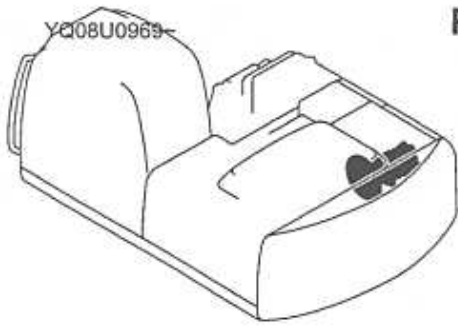
ENGINE CONTROL ASSEMBLY

YQ08U0969-

ITEM	PART NUMBER	DESCRIPTION	QTY
	YN11M00018F2	CONTROL ASSY, ENGINE	F2
1	YN11M01195P1	BRACKET	1
2	YN11M01102P1	PLATE	1
5	YN11M01207P1	LEVER	1
6	YN11M01186F1	LEVER ASSY	1
6-1	YN11M01188P1	PLATE	1
6-2	YN11M01190F1	LEVER ASSY	1
6-2a	YN11M01189P1	LEVER	1
6-2b	2405R312D1215	BUSHING	1
6-3	YN11M01210P1	SPRING	1
6-4	ZW16X12000	WASHER	1 (M12)
6-5	ZR16X01200	RING, RETAINING	1
7	YN20S00002F1	MOTOR, GOVERNOR	1
8	LQ20S0002F1	ROD	1
9	LQ11M01058P1	CABLE, CONTROL	1 (L=4900mm)
11	2425R227D2	JOINT, BALL	1
12	LC11M01034P1	ROD END	1
13	2419R9D1	PIN	1
14	YN11M01114P2	PIN	1
15	2432R233D3	CLIP	1
16	ZS18C06016	CAPSCREW	2 (M6X16mm)
17	ZS18C08030	CAPSCREW	2 (M6X30mm)
18	ZS18C10020	CAPSCREW	3 (M10X20mm)
19	ZS28C06025	CAPSCREW	1 (M6X25mm)
20	ZS28C10030	CAPSCREW	3 (M10X30mm)
21	ZM22C10025	SEMS-BOLT	4 (M10X25mm)
23	ZN18C08007	NUT	4 (M6)
25	ZW26X06000	LOCK WASHER	3 (M6)
26	ZW26X08000	LOCK WASHER	4 (M6)
27	ZW26X10000	LOCK WASHER	3 (M10)
28	2420Z1330	GROMMET	1
29	2432T4615	LABEL	1
33	YN03M01159P1	GROMMET	1
36	2420T7359	NUT	1
37	YN11M01013D1	JOINT, BALL	1

Y008U0969

POWER TAKE-OFF ASSEMBLY



066-01-1

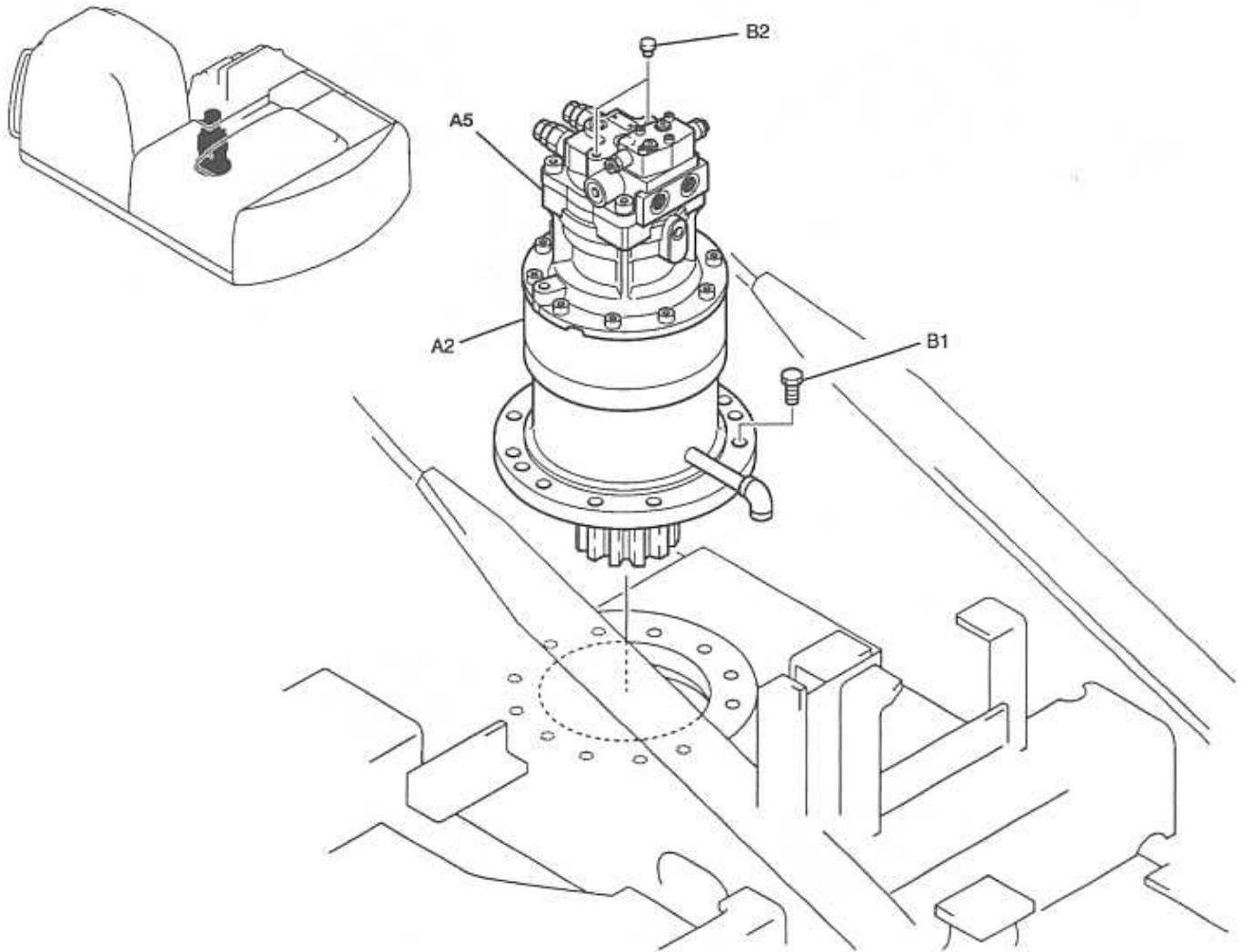
POWER TAKE-OFF ASSEMBLY

YQ08U0969~

ITEM	PART NUMBER	DESCRIPTION	QTY	
		POWER TAKE-OFF ASSY		
0	YN10V00023F1	PUMP ASSY, HYDRAULIC	1	See CPM
	YN30P00011F1	TAKE-OFF ASSY, POWER		
1	YN30P01010P1	BRACKET	1	
2	YN30P01009F1	COUPLING	1	
2-1	YN30P01009S001	RUBBER	1	
2-2	YN30P01009S002	HUB	1	
2-3	YN30P01009S003	INSERT A	4	
2-4	YN30P01009S004	INSERT R	4	
2-5	YN30P01009S005	CAPSCREW	8	(M16X45mm)
2-6	ZP26D05010	SPRING PIN	4	
2-7	YN30P01009S007	SETSCREW	2	(M16X18mm)
3	ZS23C20055	CAPSCREW	4	(M20X55mm)
4	ZS18C10030	CAPSCREW	11	(M10X30mm)

SWING MOTOR INSTALLATION

YQ08U0969~

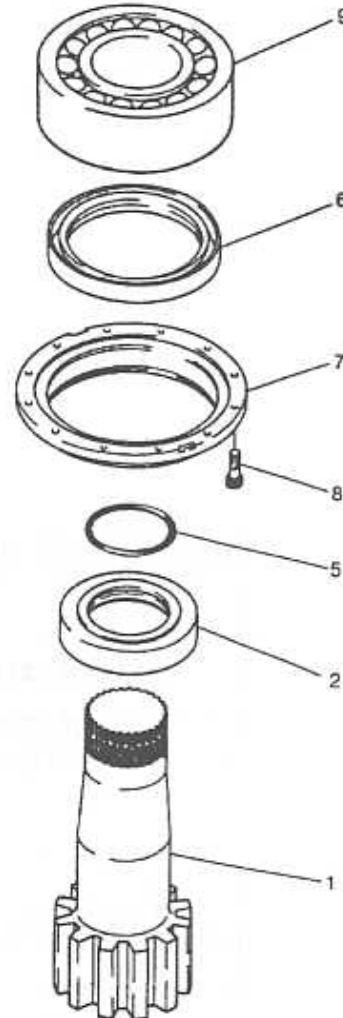
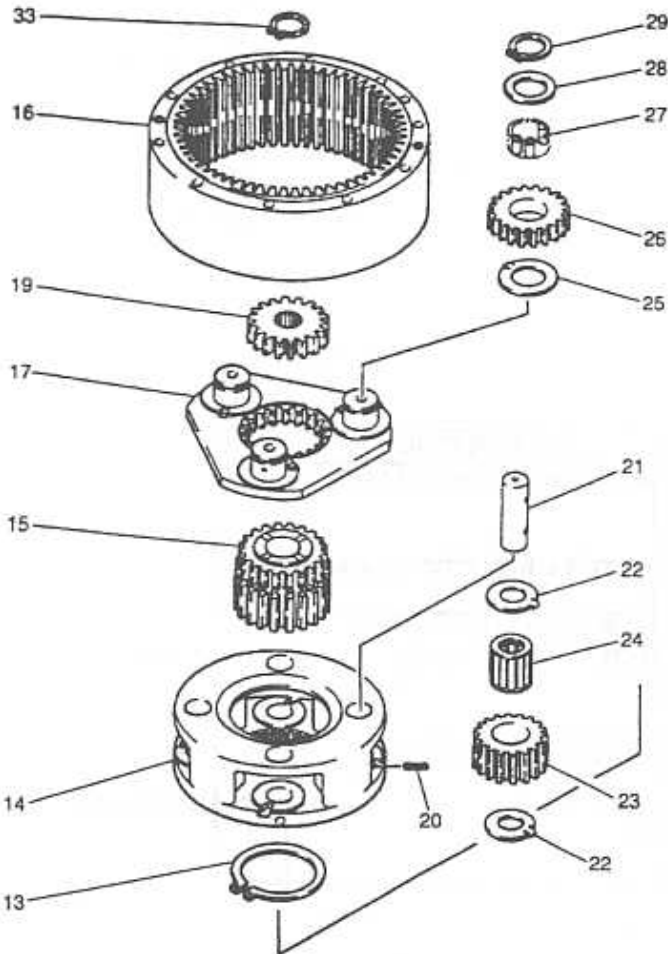
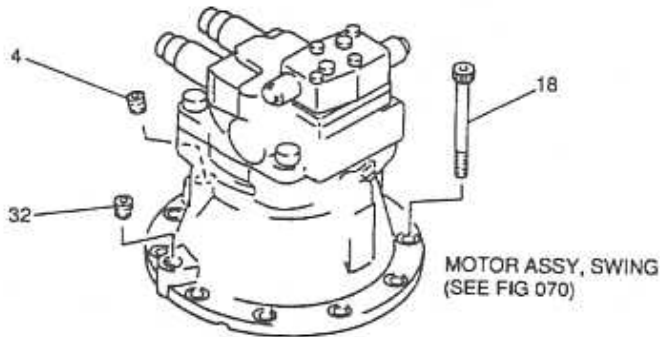
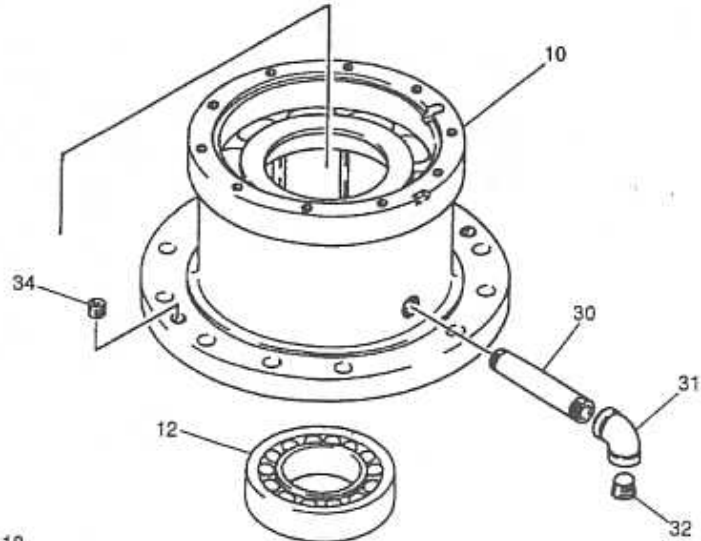
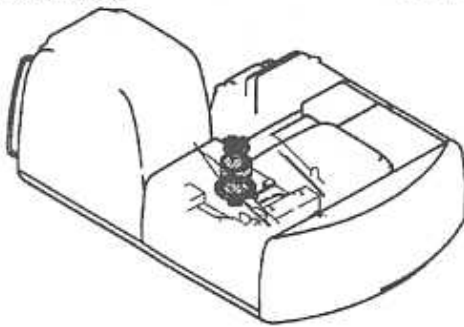


ITEM	PART NUMBER	DESCRIPTION	QTY
		SWING MOTOR INSTALLATION	
	YN15V00026F4	MOTOR & REDUCTION, SWING	
A2	YN32W00004F1	REDUCTION ASSY, SWING	1
A5	YN15V00025F3	MOTOR ASSY, SWING	1
	YN32W00006F1	MOTOR INSTAL, SWING	
B1	ZS13C20055	CAPSCREW	12
B2	PV02B01073D3	CAP	2

See P.071-01-1
See CFM

(M20X55mm)

SWING REDUCTION ASSEMBLY

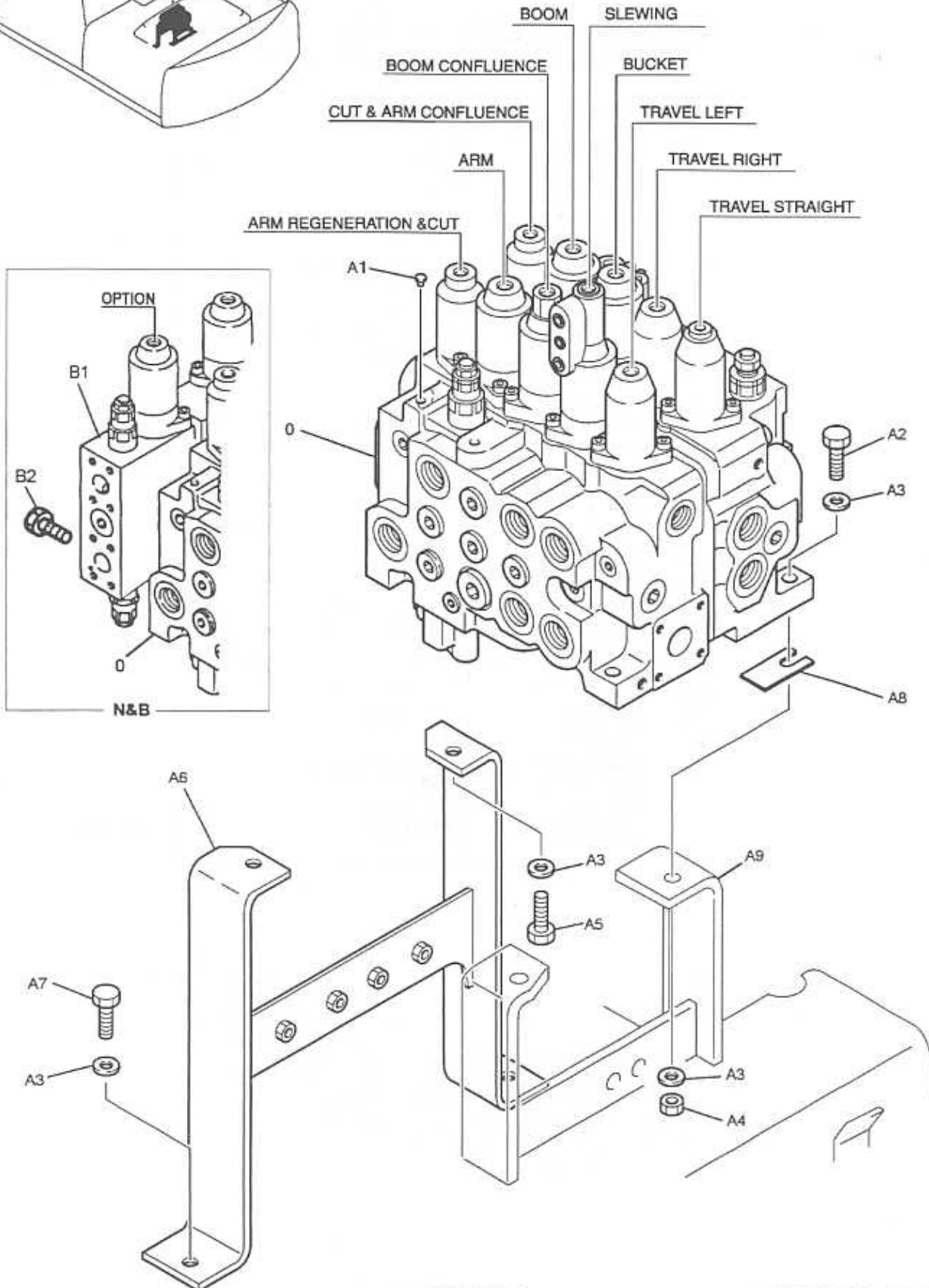
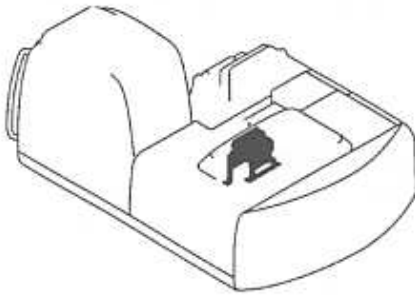


SWING REDUCTION ASSEMBLY

YQ08U0969-

ITEM	PART NUMBER	DESCRIPTION	QTY	
	YN32W00004F1	SWING REDUCTION ASSY		
1	YN32W01003P1	SHAFT, PINION	1	
2	YN32W01004P1	SLEEVE	1	
4	ZE82T08000	PLUG	1	(PT 1/2)
5	ZD11G10000	O-RING	1	
6	YN32W01034P1	OIL SEAL	1	
7	YN32W01005P1	RETAINER	1	
8	ZS23C08025	CAPSCREW	12	(M8X25mm)
9	YN32W01029P1	BEARING, SPHERICAL	1	
10	YN32W01033P1	HOUSING	1	
11	YN32W01015P1	SPACER	1	
12	YN32W01030P1	BEARING, SPHERICAL	1	
13	ZR16X09000	RING, SNAP	1	
14	YN32W01011P1	SPIDER	1	
15	YN32W01006P1	GEAR, SUN	1	
16	YN32W01012P1	GEAR, RING	1	
17	YN32W01019F1	SPIDER ASSY	1	
18	ZS23C14130	CAPSCREW	10	(M14X130mm)
19	YN32W01007P1	GEAR, SUN	1	
20	ZP26D08025	PIN, SPRING	4	
21	YN32W01001P1	SHAFT	4	
22	YN32W01027P1	WASHER, THRUST	8	
23	YN32W01008P1	PINION	4	
24	YN32W01021P1	BEARING, NEEDLE	4	
25	YN32W01026P1	WASHER, THRUST	3	
26	YN32W01002P1	PINION	3	
27	YN32W01022P1	ROLLER	102	
28	YN32W01028P1	WASHER, THRUST	3	
29	2418R2D25	RING, SNAP	3	
30	2420T6698D2	PIPE	1	(L=180mm)
31	ZG31U12000	ELBOW, 90	1	
32	ZE82T12000	PLUG	2	(PT 3/4)
33	2418R2D22	RING, SNAP	1	
34	ZS83C20020	SETSCREW	2	(M20X20mm)

VALVE INSTALLATION

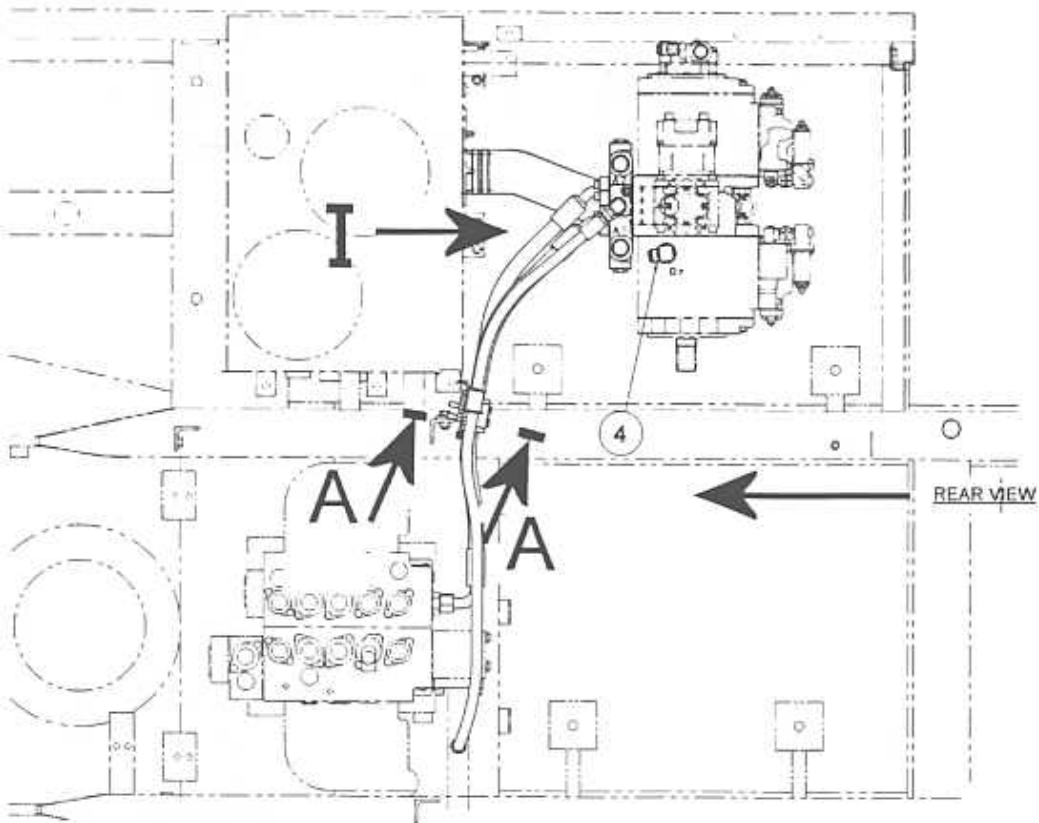
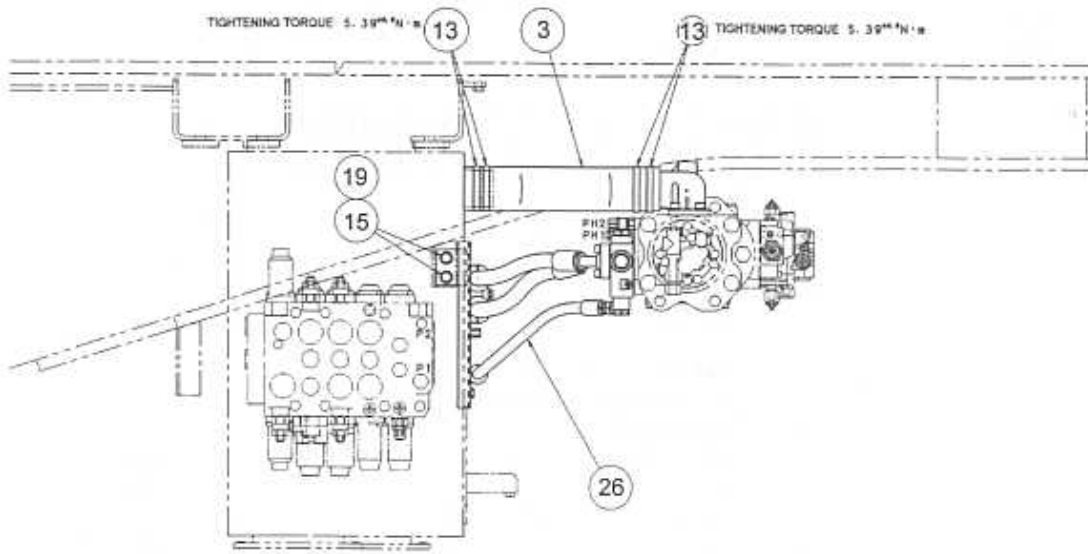


VALVE INSTALLATION

YQ08U0969~

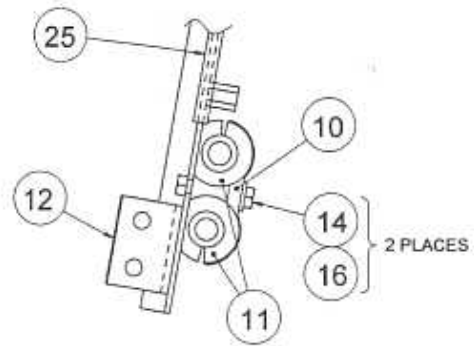
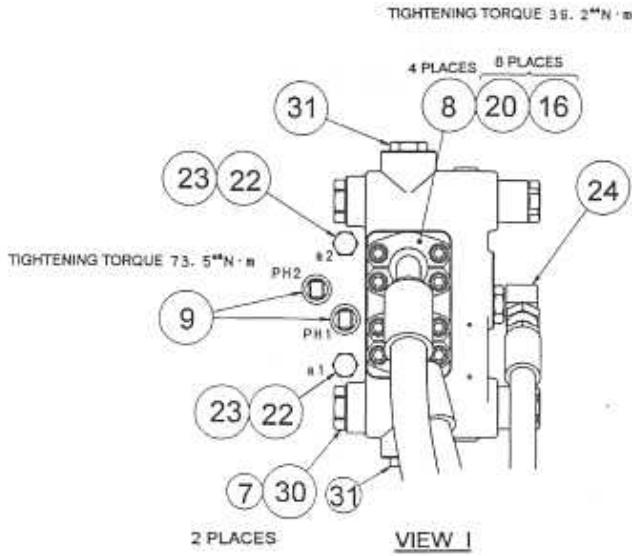
ITEM	PART NUMBER	DESCRIPTION	QTY	
0	YN30V00091F3	VALVE INSTALLATION VALVE ASSY, CONTROL	1	See CPM
A1	YN64H00132F1	VALVE INSTAL		
A1	PV02B01073D3	CAP	3	
A2	ZS18C12060	CAPSCREW	3	(M12X60mm)
A3	ZW16H12000	WASHER	9	(M12)
A4	ZN18C12010	NUT	3	(M12)
A5	ZS18C12030	CAPSCREW	1	(M12X30mm)
A6	YN64H01190P1	BRACKET	1	
A7	ZS18C12035	CAPSCREW	2	(M12X35mm)
A8	YN64H01197D1	SHIM, t1.0	2	
A9	YN52F01375P1	BRACKET (w eld-on)	1	
	YN64H00143F1	VALVE SECTION, CONTROL (N&B)	1	
B1	YN30V00084F1	VALVE, CONTROL	1	See CPM
B2	ZS23C12100	CAPSCREW	4	(M12X100mm)

UPPER HYDRAULIC LINES (SUCTION DELIVERY)



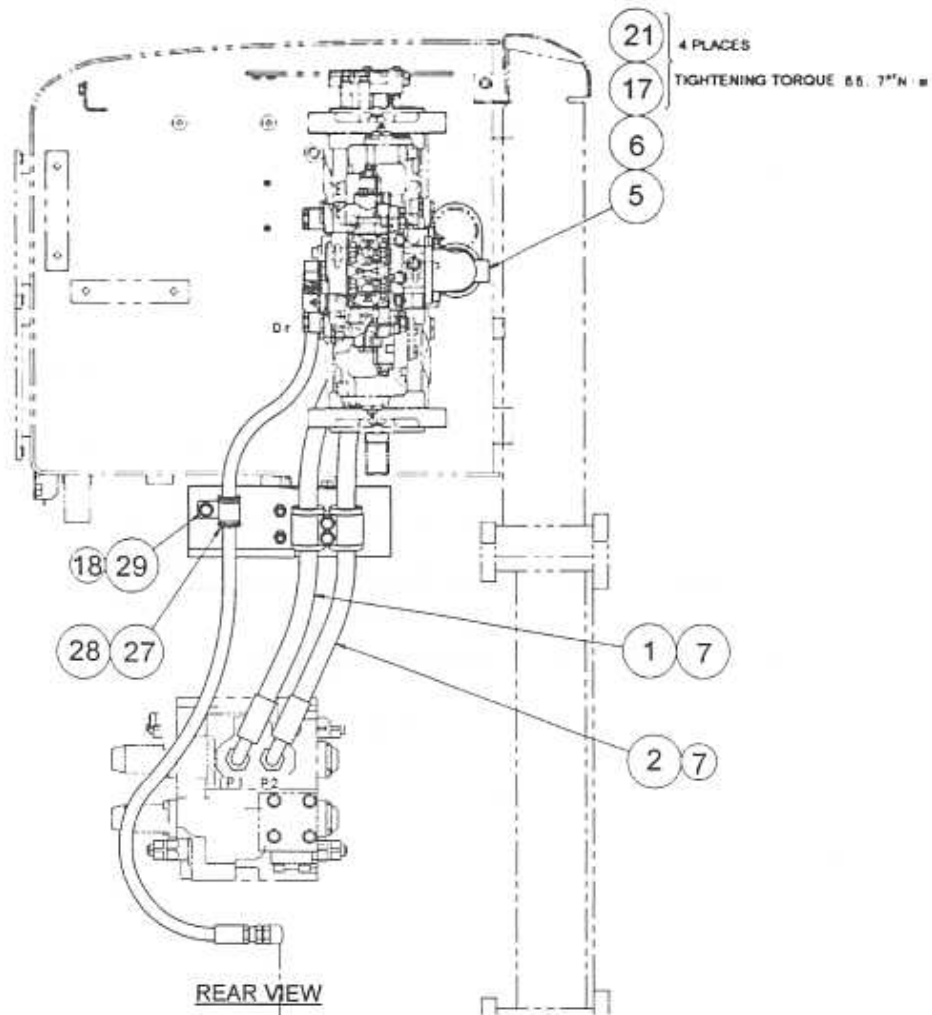
UPPER HYDRAULIC LINES (SUCTION DELIVERY)

YQ08U0969-



THE CAP OF BUSHING IS OUTSIDE AND DON'T PRESS THAT CAP.

SECTION AA

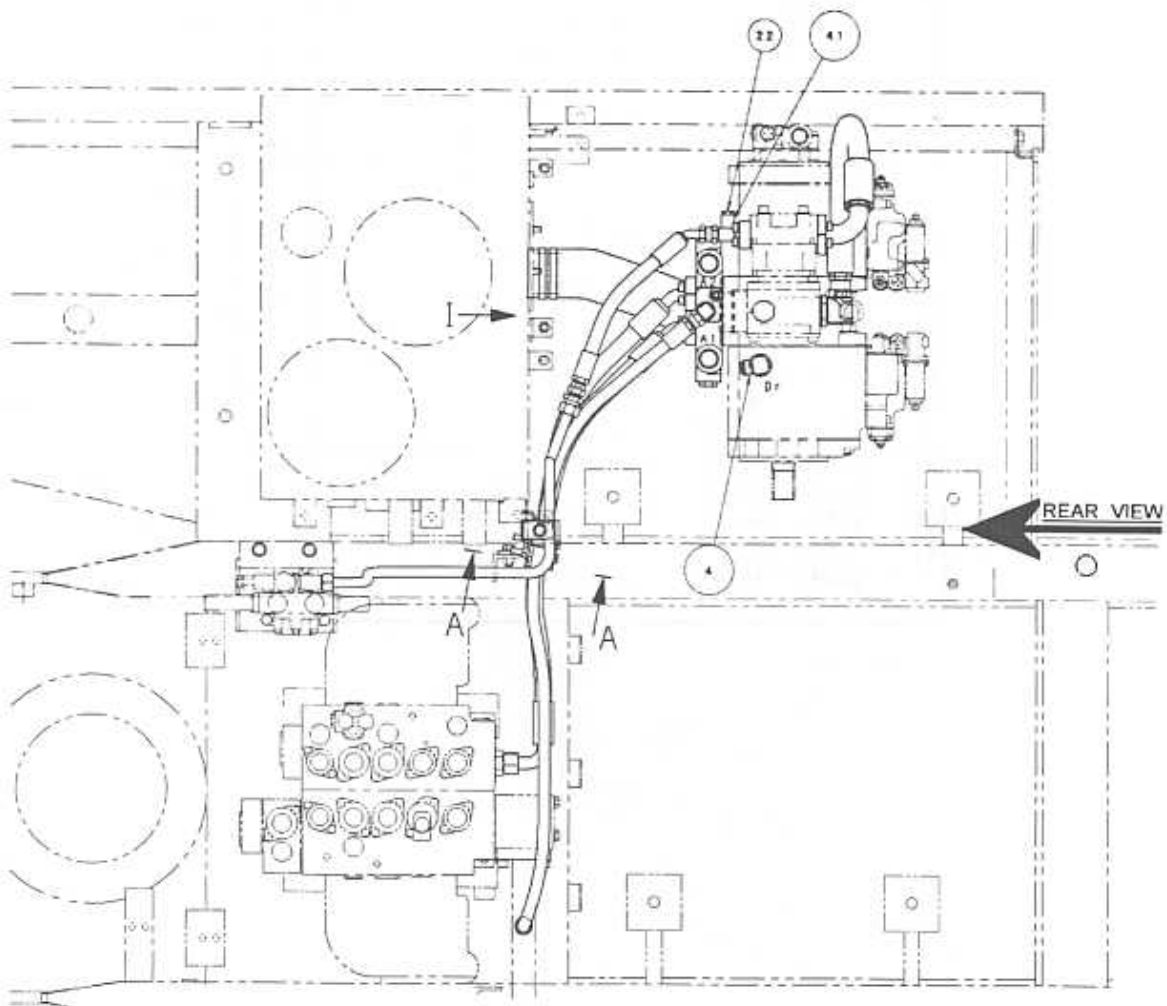
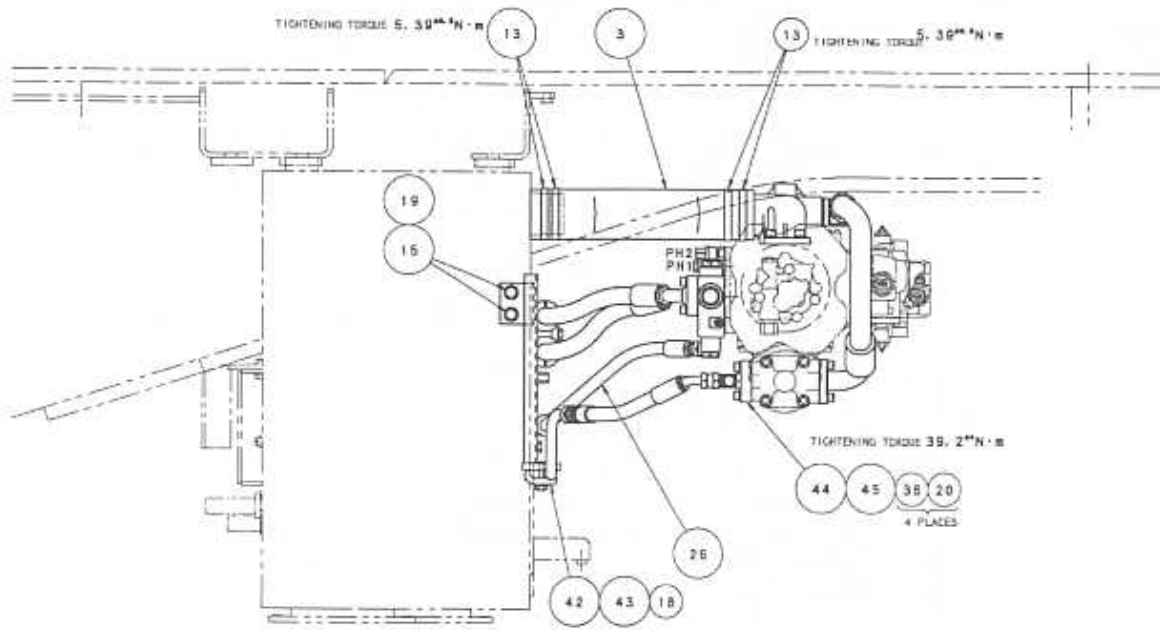


UPPER HYDRAULIC LINES (SUCTION DELIVERY)

YQ08U0969-

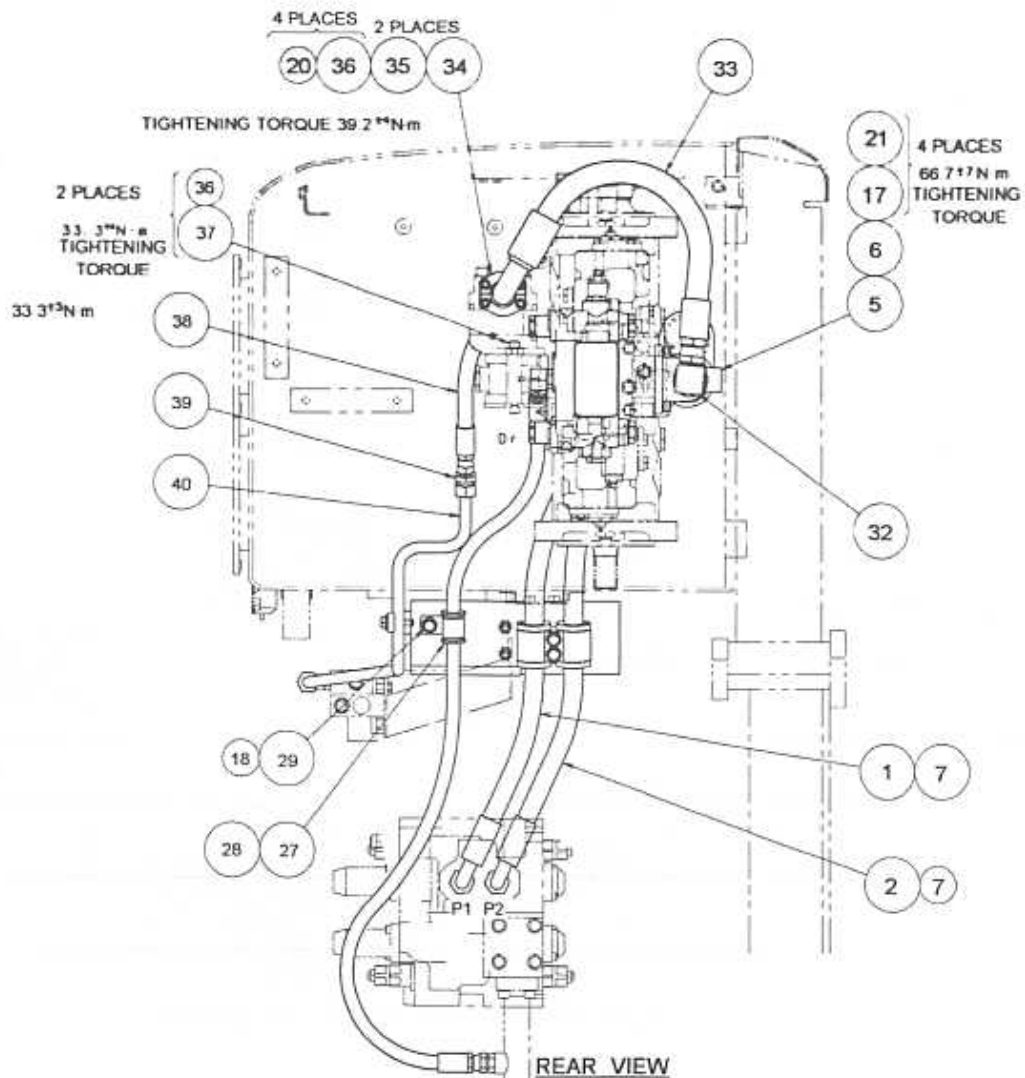
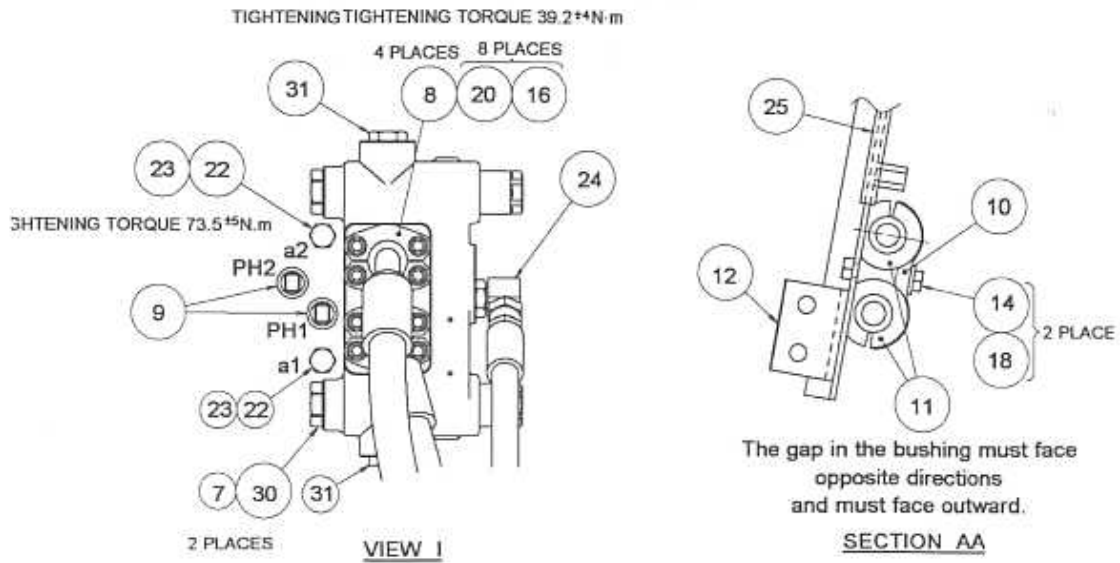
ITEM	PART NUMBER	DESCRIPTION	QTY	
	YN30H00024F1	HYDRAULIC LINES, UPPER (SUCTION/DELIVER)		
1	YN30H01087D3	HOSE (P1 Delivery)	1	(L=930mm)
2	YN30H01087DE	HOSE (P2 Delivery)	1	(L=980mm)
3	YN30H01098P1	HOSE (Suction)	1	(L= 408mm)
4	ZH32X12000	ELBOW, 90	1	(PF 3/4)
4-1	ZD12P02400	O-RING	1	
5	YN30H01010P1	ELBOW	1	(Suction)
6	ZD11G07500	O-RING	1	
7	ZD12P02600	O-RING	4	
8	ZE13X12000	CLAMP, HALF	4	
9	LC52S00012P1	SENSOR, PRESS	2	(PF 3/8)
9-1	ZD12P01400	O-RING	1	
10	YN03H01427P1	CLAMP	1	
11	YN03H01432P1	BUSHING	2	
12	YN30H01112P1	SUPPORT	1	
13	ZC16X09100	CLIP	4	
14	ZS18C10075	CAPSCREW	2	(M10X75mm)
15	ZS18C12030	CAPSCREW	2	(M12X30mm)
16	ZS28C10085	CAPSCREW	8	(M10X85mm)
17	ZS28C12030	CAPSCREW	4	(M12X30mm)
18	ZW16H10000	WASHER	3	(M10)
19	ZW16H12000	WASHER	2	(M12)
20	ZW26K10000	LOCK WASHER	8	(M10)
21	ZW26K12000	LOCK WASHER	4	(M12)
22	ZE72X04000	PLUG	2	(PF 1/4)
22-1	ZD12P01100	O-RING	1	
23	2444Z4101	CONNECTOR	2	(PF 1/4; L=51mm)
23-1	ZD12P01100	O-RING	1	
24	ZH32X08000	ELBOW	1	(PF 1/2)
24-1	ZD12P01800	O-RING	1	
25	PY52F01022D5	TRIM	1	
26	ZX25M08150	HOSE	1	(PF 1/2; L=1500mm)
27	YN03H01075P1	BUSHING	1	
28	ZC46X31014	CLIP	1	
29	ZS18C10025	CAPSCREW	1	(M10X25mm)
30	YN30V00082F2	VALVE, CONTROL	1	See CPM
31	ZE72X08000	PLUG	2	(PF 1/2)
31-1	ZD12P01800	O-RING	1	

UPPER HYDRAULIC LINES (SUCTION / DELIVERY-ROTATION)



UPPER HYDRAULIC LINES (SUCTION / DELIVERY-ROTATION)

YQ08U0969~

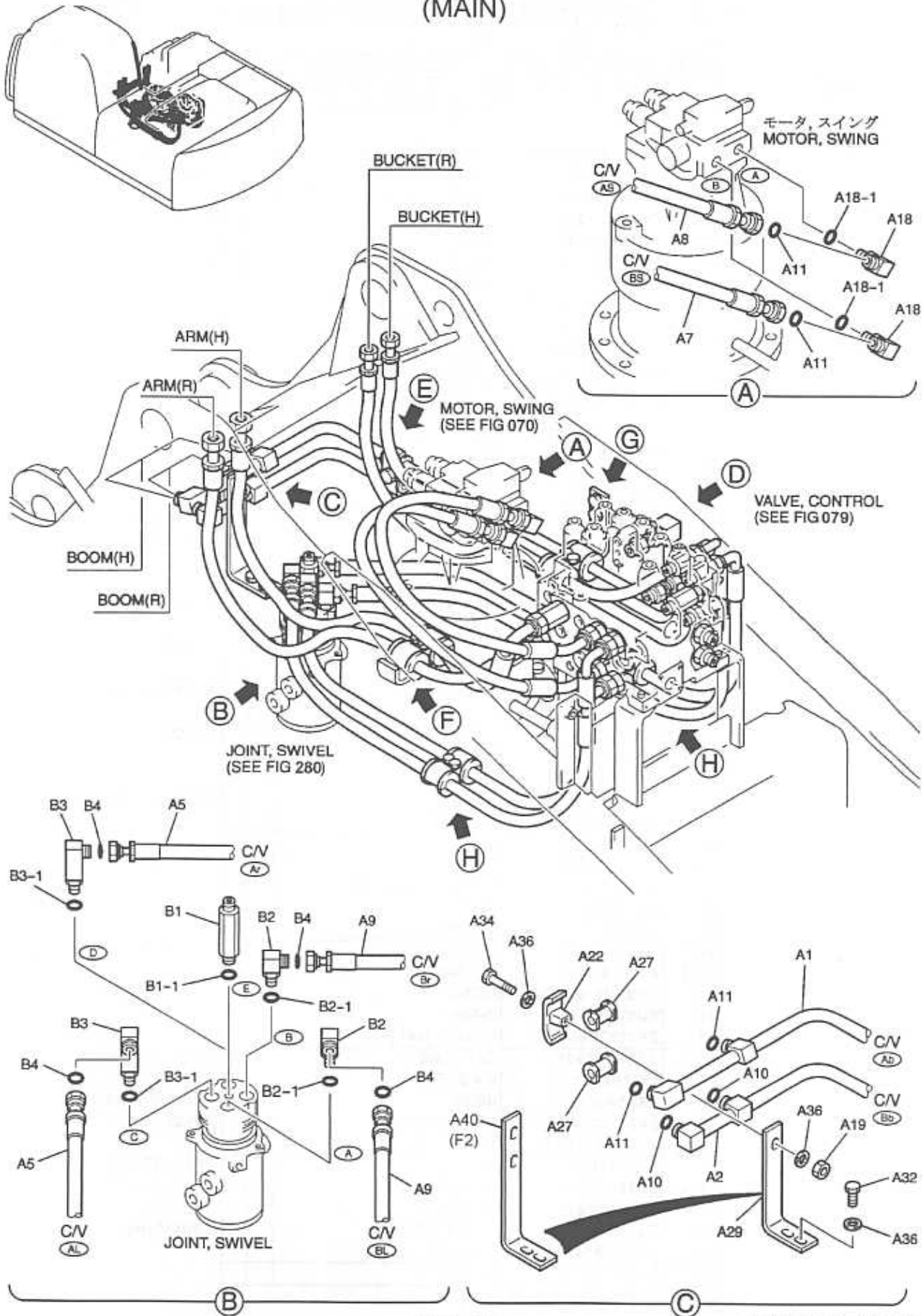


UPPER HYDRAULIC LINES (SUCTION / DELIVERY-ROTATION)

YQ08U0969-

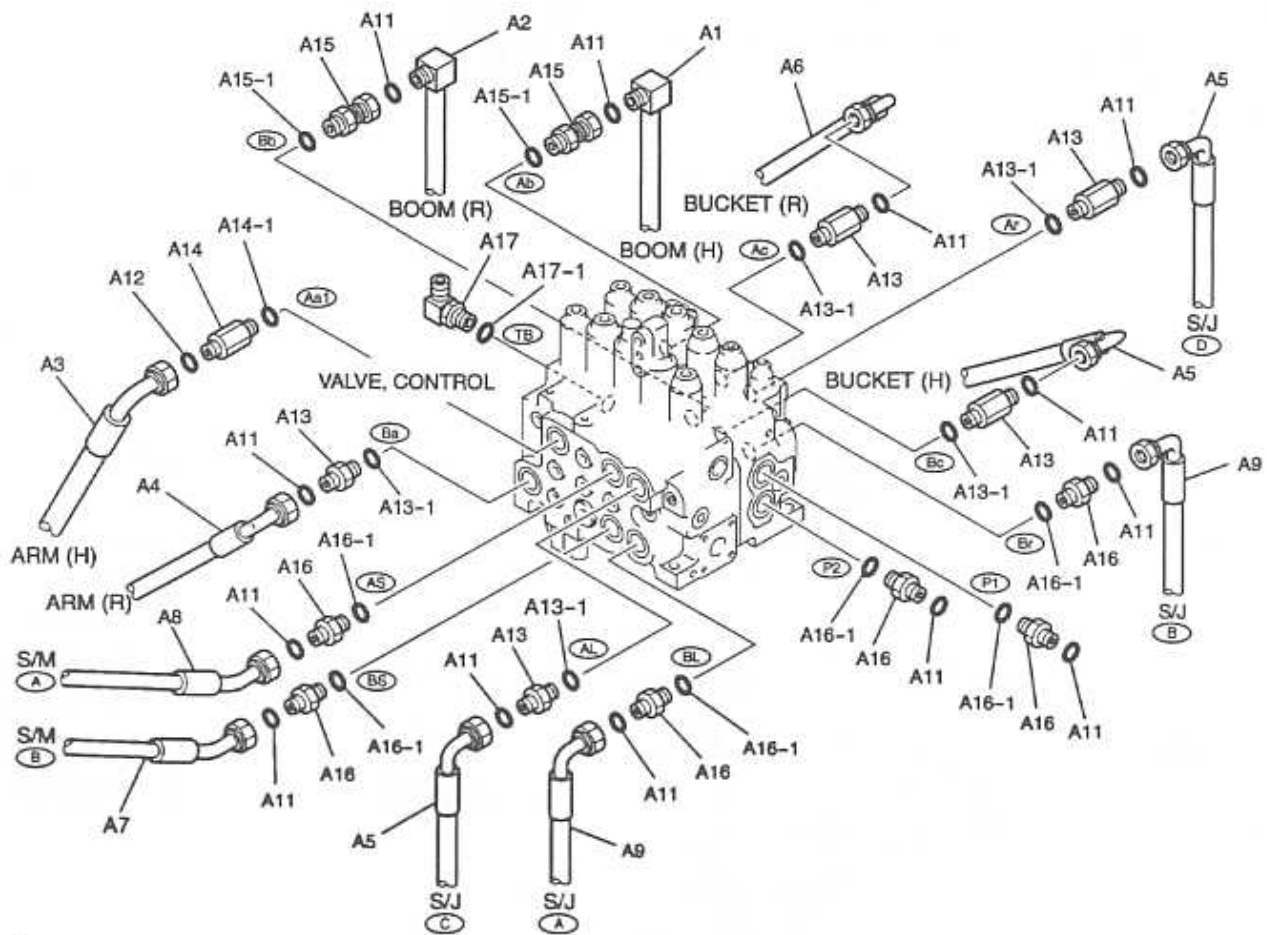
ITEM	PART NUMBER	DESCRIPTION	QTY	
	YN30H00027F1	HYDRAULIC LINES, UPPER (Suction/Delivery-Rotation)		
1	YN30H01087D3	HOSE (P1 Delivery)	1	(L=930mm)
2	YN30H01087DE	HOSE (P2 Delivery)	1	(L=980mm)
3	YN30H01098P1	HOSE (Suction)	1	
4	ZH32X12000	ELBOW, 90	1	(PF3/4)
4-1	ZD12P02400	O-RING	1	
5	YN30H01069P1	ELBOW	1	(Suction)
6	ZD11G07500	O-RING	1	
7	ZD12P02600	O-RING	4	
8	ZE13X12000	CLAMP, HALF	4	
9	LC52S00012P1	SENSOR, PRESS	2	(PF3/8)
9-1	ZD12P01400	O-RING	1	
10	YN03H01427P1	CLAMP	1	
11	YN03H01432P1	BUSHING	2	
12	YN30H01122P1	SUPPORT	1	
13	ZC16X09100	CLIP	4	
14	ZS18C10075	CAPSCREW	2	(M10X75mm)
15	ZS18C12030	CAPSCREW	2	(M12X30mm)
16	ZS28C10085	CAPSCREW	8	(M10X85mm)
17	ZS28C12030	CAPSCREW	4	(M12X30mm)
18	ZW16H10000	WASHER	4	(M10)
19	ZW16H12000	WASHER	2	(M12)
20	ZW26K10000	LOCK WASHER	16	(M10)
21	ZW26K12000	LOCK WASHER	4	(M12)
22	ZE72X04000	PLUG	3	(PF1/4)
22-1	ZD112P01100	O-RING	1	
23	2444Z4101	CONNECTOR	2	(PF1/4;L=51mm)
23-1	ZD12P01100	O-RING	1	
24	ZH32X08000	ELBOW	1	(PF1/2)
24-1	ZD12P01800	O-RING	1	
25	PY52F01022D5	TRIM	1	
26	ZX25M08150	HOSE	1	(PF1/2; L=1500mm)
27	YN03H01075P1	BUSHING	1	
28	ZC46X31014	CLIP	1	
29	ZS18C10025	CAPSCREW	1	(M10X25mm)
30	YN30V00082F2	VALVE, CONTROL	1	See CPM
31	ZE72X08000	PLUG	2	(PF1/2)
31-1	ZD12P01800	O-RING	1	
32	2444R399D6	ELBOW	1	(PF1 1/4 - PF1)
32-1	ZD12P03800	O-RING	1	
33	YN30H01072D3	HOSE	1	(PF1; L=680mm)
34	ZD12P03800	O-RING	1	
35	ZE12X20000	CLAMP, HALF	2	
36	ZS28C10035	CAPSCREW	10	(M10X35mm)
37	ZW16X10000	WASHER	2	(M10)
38	ZX45M08040	HOSE	1	(PF1/2; L=400mm)
39	2444R721D13	CONNECTOR	1	(PF1/2)
40	YN30H01103P1	TUBE	1	
41	2444Z3854	TEE	1	(PF1/2 - PF1/4)
41-1	ZD12P01800	O-RING	1	
42	ZC26X18011	CLAMP	1	
43	ZS18C10045	CAPSCREW	1	(M10X45mm)
44	YN03H01474P1	FLANGE	1	
45	ZD12P03400	O-RING	1	

UPPER HYDRAULIC LINES (MAIN)

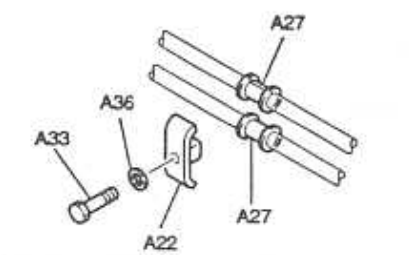


UPPER HYDRAULIC LINES (MAIN)

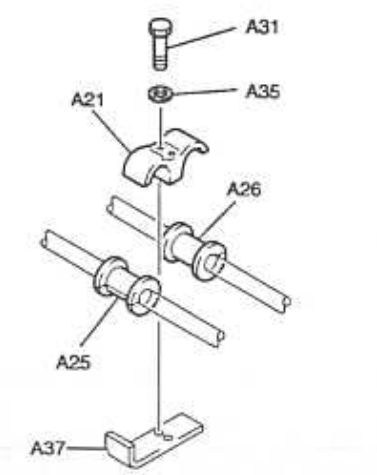
YQ08U0969-



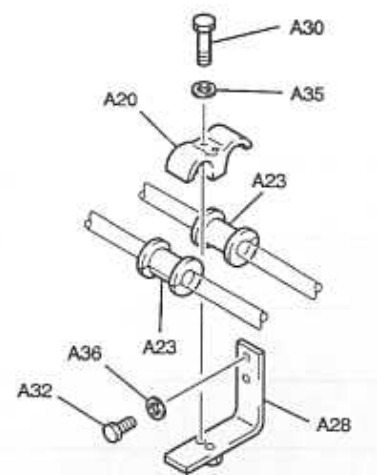
D



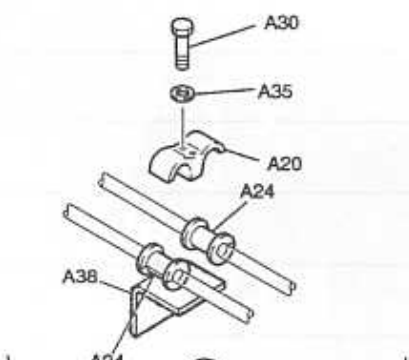
E



F



G



H

UPPER HYDRAULIC LINES (MAIN)

YQ08U0969-

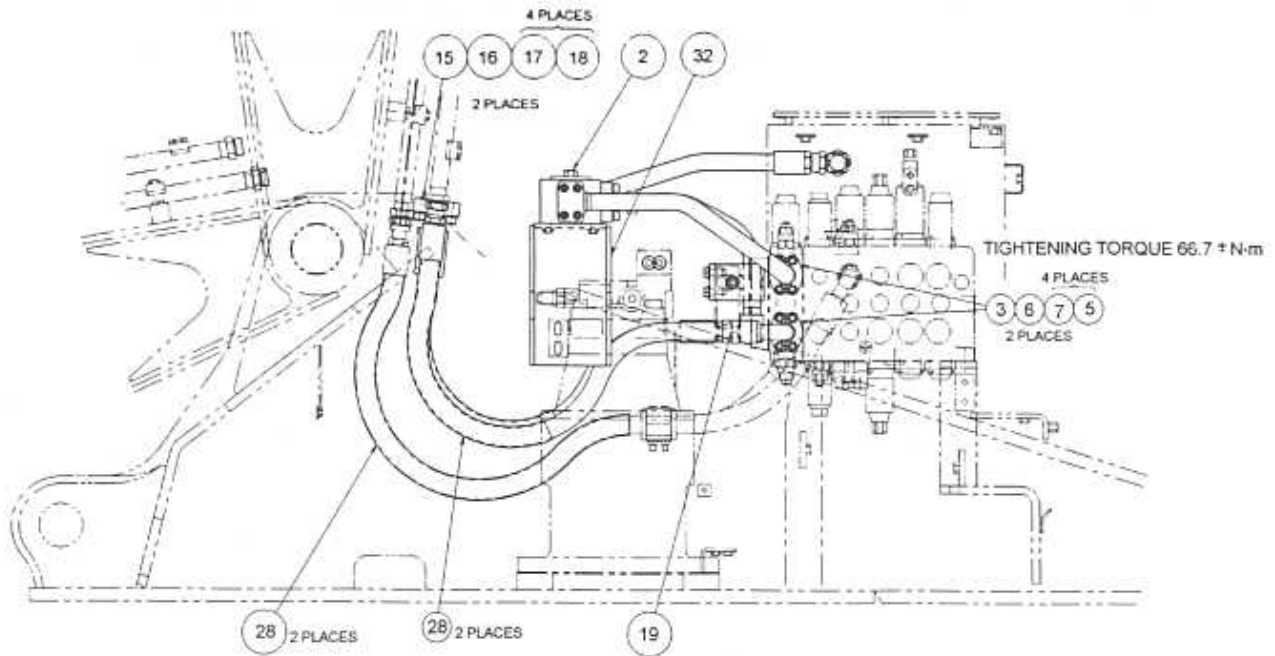
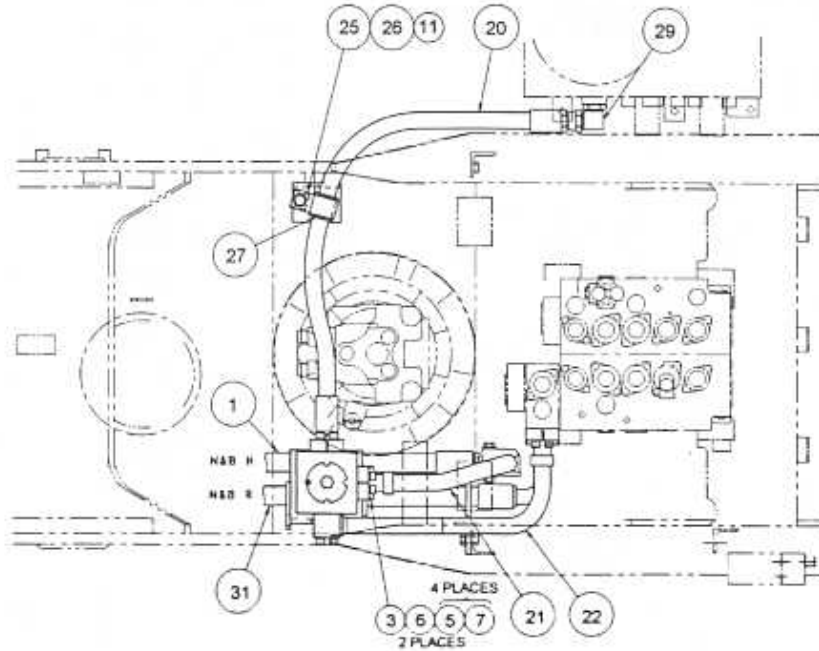
ITEM	PART NUMBER	DESCRIPTION	QTY
		HYDRAULIC LINES, UPPER (MAIN)	
	YN03H00094F1	HYD LINES, UPPER (STD)	
	YN03H00094F2	HYD LINES, UPPER (Boom&Arm Safety)	
A1	YN03H01645P1	TUBE (Boom H)	1
A2	YN03H01646P1	TUBE (Boom R)	1
A3	ZX30H16165	HOSE (Arm H)(1 7/16)(L=1650mm)	1
A4	YN03H01642D2	HOSE (Arm R)(1 3/16)(L=1450mm)	1
A5	ZX30H12155	HOSE (Bucket H, Track C&D)(1 3/16) (L=1550mm)	3
A6	ZX30H12165	HOSE (Bucket R)(1 3/16)(L=1650mm)	1
A7	YN03H01643D2	HOSE (Swing A)(1 3/16)(L=1650mm)	1
A8	YN03H01643D3	HOSE (Swing B)(1 3/16)(L=860mm)	1
A9	ZX30H12140	HOSE (Travel A B)(1 3/16)(L=1400mm)	2
A10	ZD12A01600	O-RING (1-14UNS)	2
A11	ZD12A01800	O-RING (1 3/16-12UN)	17
A12	ZD12A02100	O-RING (1 7/16-12UN)	1
A13	HG24F12016G1	CONNECTOR (1 3/16-12UN-PF1)	5
A13-1	ZD12P02900	O-RING	1
A14	ZG23F16016	CONNECTOR (1 7/16-12UN-PF1)	1
A14-1	ZD12P02900	O-RING	1
A15	HG23H12016G1	CONNECTOR (1 3/16-12UN-PF1)	2
A15-1	ZD12P02900	O-RING	1
A16	ZG23F12016	CONNECTOR (1 3/16-12UN-PF1)	6
A16-1	ZD12P02900	O-RING	1
A17	ZH32X12000	ELBOW, 90 (FF 3/4)	1
A17-1	ZD12P02900	O-RING	1
A18	ZG33F12012	ELBOW (1 3/16-12UN-PF 3/4)	2
A18-1	ZD12P02900	O-RING	1
A19	ZN18C12010	NUT (M12)	1

ITEM	PART NUMBER	DESCRIPTION	QTY
A20	YN03H01427P1	CLAMP	3
A21	YN03H01428P1	CLAMP	1
A22	YN03H01144P2	CLAMP	2
A23	YN03H01431P1	BUSHING	2
A24	YN03H01432P1	BUSHING	4
A25	YN03H01433P1	BUSHING	1
A26	YN03H01434P1	BUSHING	1
A27	YN03H01074P1	BUSHING	4
A28	YN03H01610P1	SUPPORT	1
A29	YN03H01647P1	SUPPORT (STD)	1
A30	ZS18C10075	CAPSCREW (M10X75mm)	6
A31	ZS18C10085	CAPSCREW (M10X85mm)	2
A32	ZS18C12030	CAPSCREW (M12X30mm)	4
A33	ZS18C12070	CAPSCREW (M12X70mm)	1
A34	ZS18C12085	CAPSCREW (M12X85mm)	1
A35	ZW16H10000	WASHER (M10)	8
A36	ZW16H12000	WASHER M12)	7
A37	YN52F01397P1	BRACKET (Weld-on)	1
A38	YN52F01185P1	SUPPORT (Weld-on)	2
A40	YN03H01650P1	SUPPORT (Boom & Arm Safety)	1
	YN19H00008F1	HYDRAULIC LINES, SWIVEL	
B1	HH25X08008G2	CONNECTOR (PF 1/2)	1
B1-1	ZD12P01800	O-RING	1
B2	YN03H01173P1	ELBOW (1 3/16-12UN-PF1)	2
B2-1	ZD12P02900	O-RING	1
B3	YN03H01174P1	ELBOW (1 3/16-12UN-PF1)	2
B3-1	ZD12P02900	O-RING(1 3/16-12UN)	1
B4	ZD12A01800	O-RING	4

(F1 ONLY)

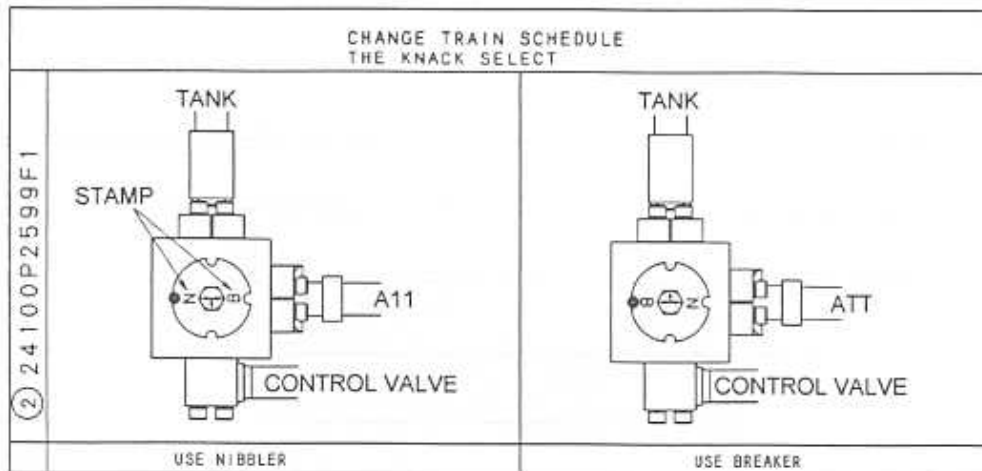
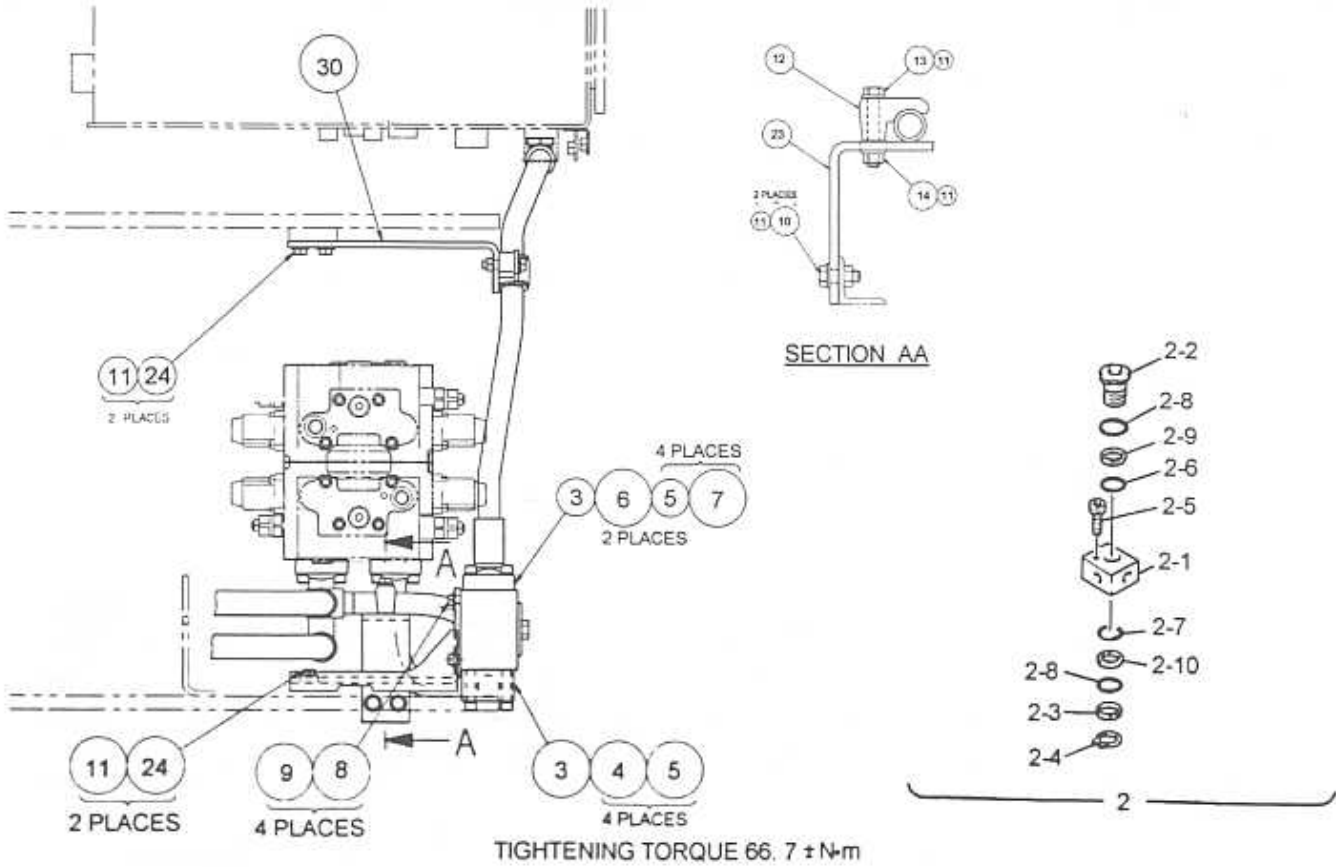
(F2 ONLY)

UPPER HYDRAULIC LINES (NIBBLER & BREAKER)



UPPER HYDRAULIC LINES (NIBBLER & BREAKER)

YQ08U0969-

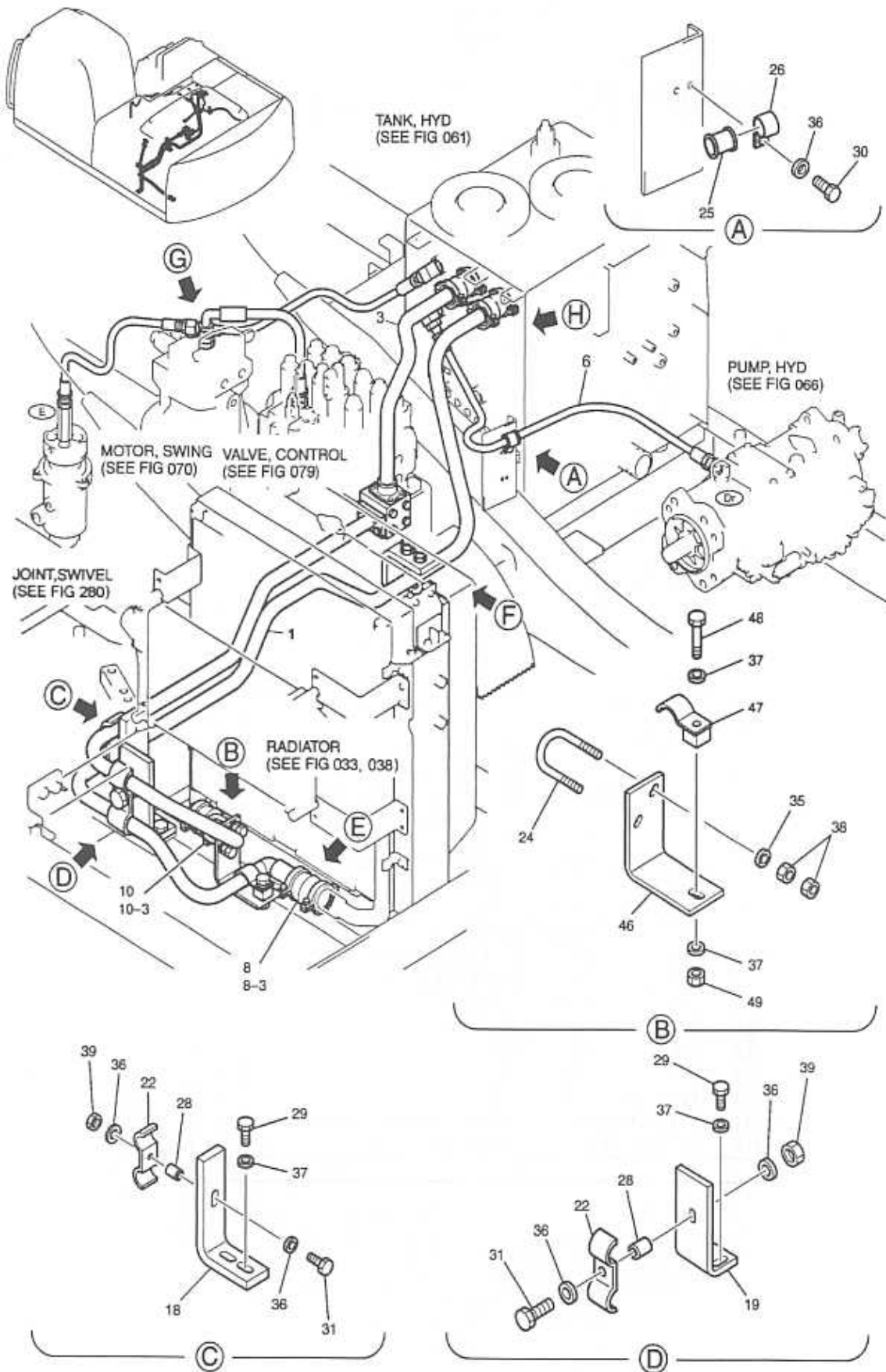


UPPER HYDRAULIC LINES (NIBBLER & BREAKER)

YQ08U0969~

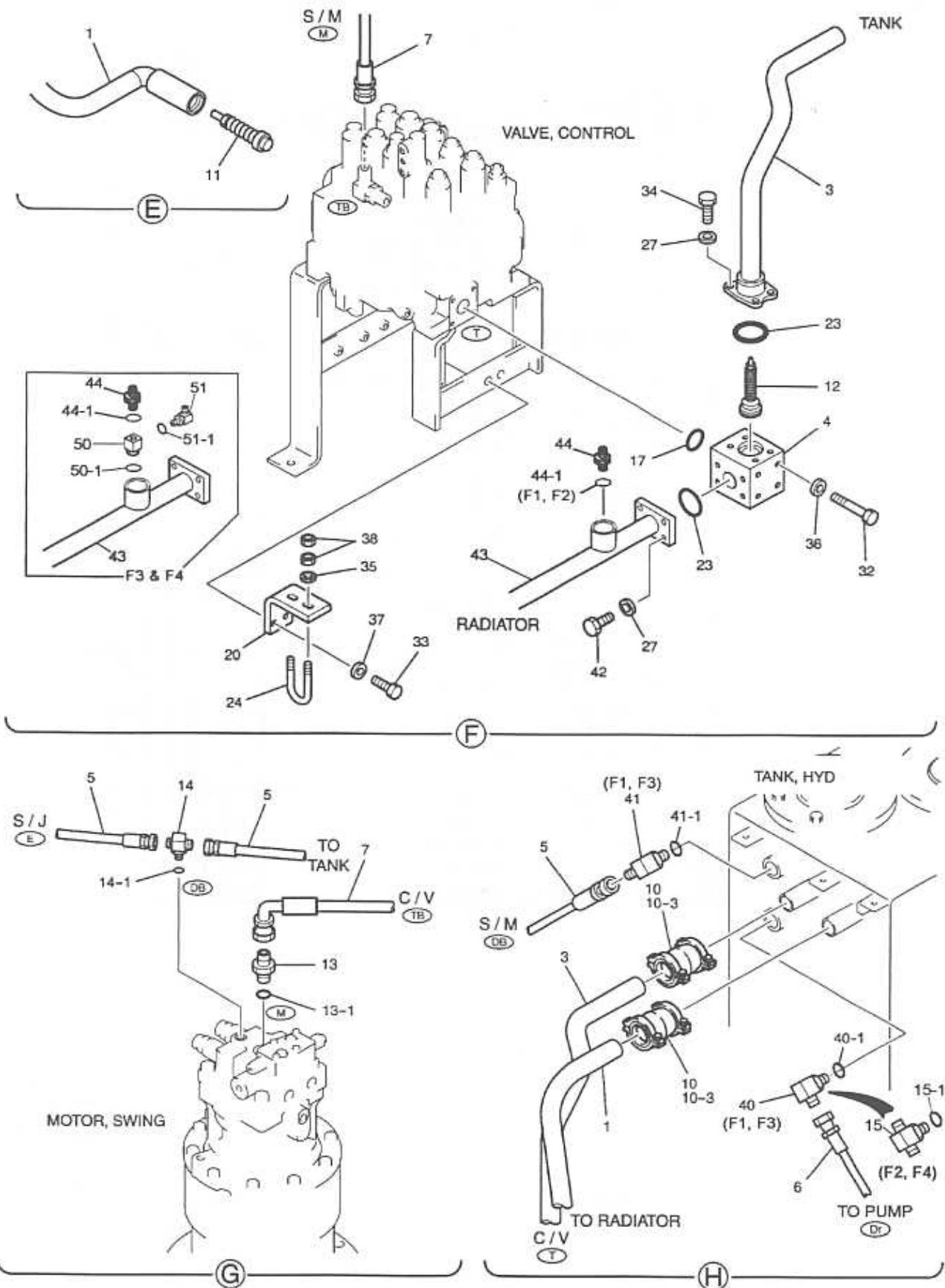
ITEM	PART NUMBER	DESCRIPTION	QTY
	YN03H00105F1	HYDRAULIC LINES, UPPER (N&B)	
1	LC42H01041D3	HOSE (1 7/16-12UN)(L=1150mm)	1
2	24100P2599F1	VALVE, SELECTOR	1
2-1	2436N184	BODY, VALVE	1
2-2	2436P183	VALVE	1
2-3	2418T11522D1	SPACER	1
2-4	ZR16X05000	RING, SNAP	1
2-5	ZS23C06010	CAPSCREW (M6X10mm)	1
2-6	ZD12P04400	O-RING	1
2-7	ZD12P05000	O-RING	1
2-8	ZD11G05000	O-RING	2
2-9	ZD85P04000	RING, BACK-UP	1
2-10	ZD75P05000	RING, BACK-UP	1
3	ZD12P03400	O-RING	5
4	ZS28C12065	CAPSCREW (M12X65mm)	4
5	ZW26K12000	LOCK WASHER (M12)	20
6	ZE13X16000	CLAMP, HALF	8
7	ZS28C12040	CAPSCREW (M12X40mm)	16
8	ZS18C10030	CAPSCREW (M10X30mm)	4
9	ZW16H10000	WASHER (M10)	4
10	ZS18C12035	CAPSCREW (M12X35mm)	2
11	ZW16H12000	WASHER (M12)	9
12	YN42H01078P1	CLAMP	1
13	ZS18C12075	CAPSCREW (M12X75mm)	1
14	ZN18C12010	NUT (M12)	1
15	ZD12P03800	O-RING	1
16	ZE13X20001	CLAMP, HALF	2
17	ZS28C14050	CAPSCREW (M14X50mm)	4
18	ZW26K14000	LOCK WASHER (M14)	4
19	ZD12A02100	O-RING	1
20	YN03H01641D3	HOSE (FF 1)(L=1150mm)	1
21	YN03H01638P1	TUBE	1
22	YN03H01637P1	TUBE	1
23	YN03H01639P1	SUPPORT	1
24	ZS18C12030	CAPSCREW (M12X30mm)	4
25	ZS18C12060	CAPSCREW (12X60mm)	1
26	YN32H01066P1	CLAMP	1
27	YX32H01011P1	BUSHING	1
28	2414Z199D100	GUIDE, HOSE	4
29	HH35X16016G1	ELBOW (FF 1)	1
30	YN03H01480P1	SUPPORT	1
31	YN03H01456D5	HOSE (1 7/16-12UN)(L=1250mm)	1
32	YN03H01671P1	BRACKET	1

UPPER HYDRAULIC LINES (RETURN)



UPPER HYDRAULIC LINES (RETURN)

YQ08U0969-



UPPER HYDRAULIC LINES (RETURN)

ITEM	PART NUMBER	DESCRIPTION	QTY			
		HYDRAULIC LINES, UPPER (Return)				
	YN32H00034F1	HYDRAULIC LINES, UPPER (STD, B&A Safety, 50' L/R)	F1	-	-	-
	YN32H00034F2	HYDRAULIC LINES, UPPER (Logger, N&B, Breaker, B&A Safety-N&B, B&A Safety- -Breaker)	-	F2	-	-
	YN32H00034F3	HYDRAULIC LINES, UPPER (Rotation)	-	-	F3	-
	YN32H00034F4	HYDRAULIC LINES, UPPER (Rotation-N&B)	-	-	-	F4
1	YN32H01172P1	TUBE	1	1	1	1
3	YN32H01176P1	TUBE	1	1	1	1
4	YN32H01171P1	BLOCK	1	1	1	1
5	ZX21M08075	HOSE (Dr)(FF 1/2)(L=750mm)	2	2	2	2
6	ZX22M12110	HOSE (Dr)(FF 3/4)(L=1100mm)	1	1	1	1
7	ZX22M12076	HOSE (M/U)(FF 3/4)(L=760mm)	1	1	1	1
8	ZG15F05100	COUPLING	1	1	1	1
8-3	ZG15G05100	GASKET	2	2	2	2
10	ZG15F04300	COUPLING	3	3	3	3
10-3	ZG15F04300	GASKET	2	2	2	2
11	YN21V00013F1	VALVE ASSY, CHECK (250kPa)	1	1	1	1
12	YN21V00007F1	VALVE ASSY, CHECK (490kPa)	1	1	1	1
13	ZH22X12000	CONNECTOR (FF 3/4)	1	1	1	1
13-1	ZD12P02400	O-RING	1	1	1	1
14	2444Z2360	TEE (2-PF 1/2 - PF 3/8)	1	1	1	1
14-1	ZD12P02400	O-RING	1	1	1	1
15	HH55X12012G3	TEE (2-PF 3/4 - PF 1/2)	-	1	-	1
15-1	ZD12P02400	O-RING	-	1	-	1
17	ZD11G04500	O-RING	1	1	1	1
18	YN32H01142P1	SUPPORT	1	1	1	1
19	YN32H01141P1	SUPPORT	1	1	1	1
20	YN32H01140P1	SUPPORT	1	1	1	1

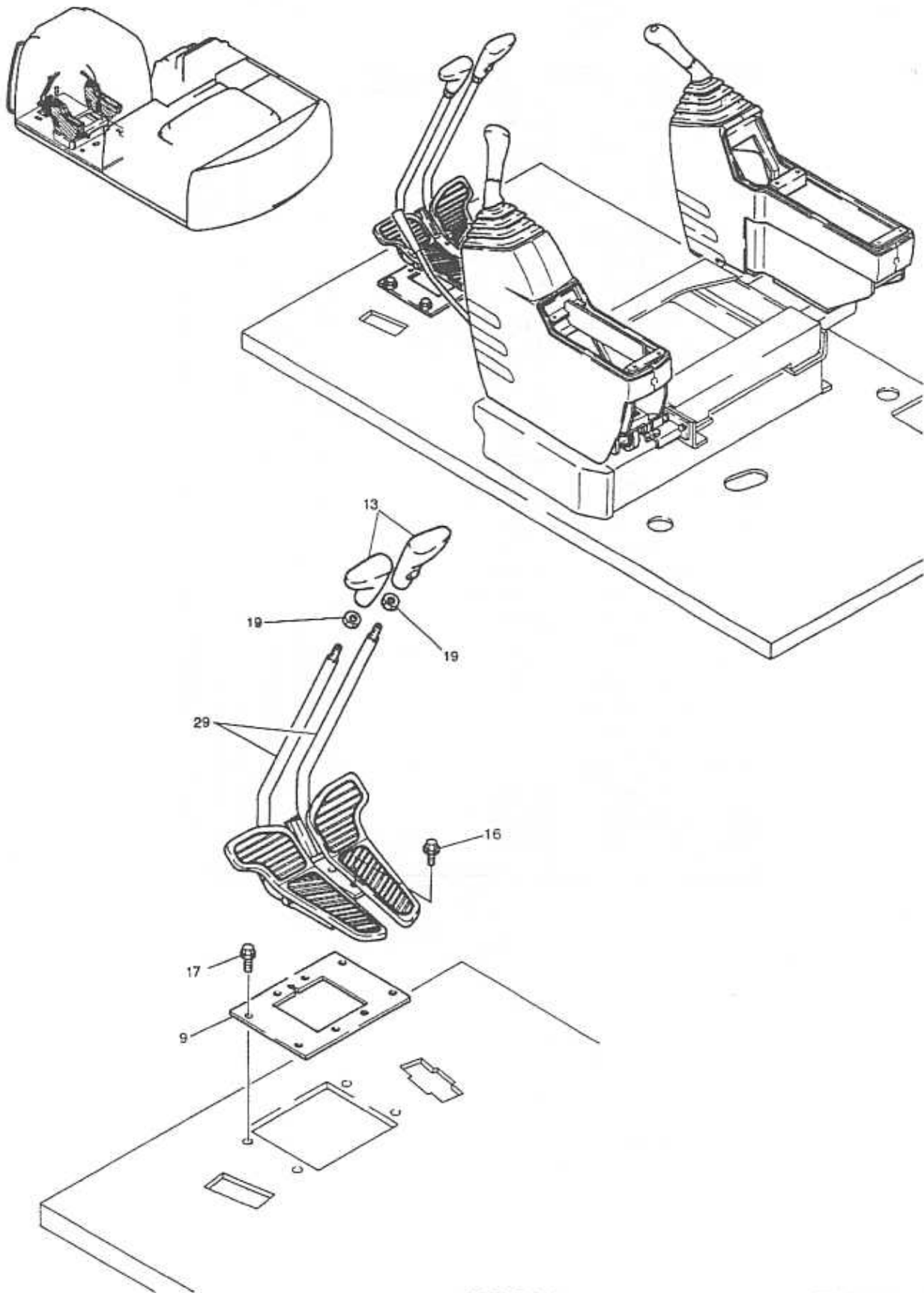
(M2XP1.5)
(1 1/4)

UPPER HYDRAULIC LINES (RETURN)

YQ08U0969~

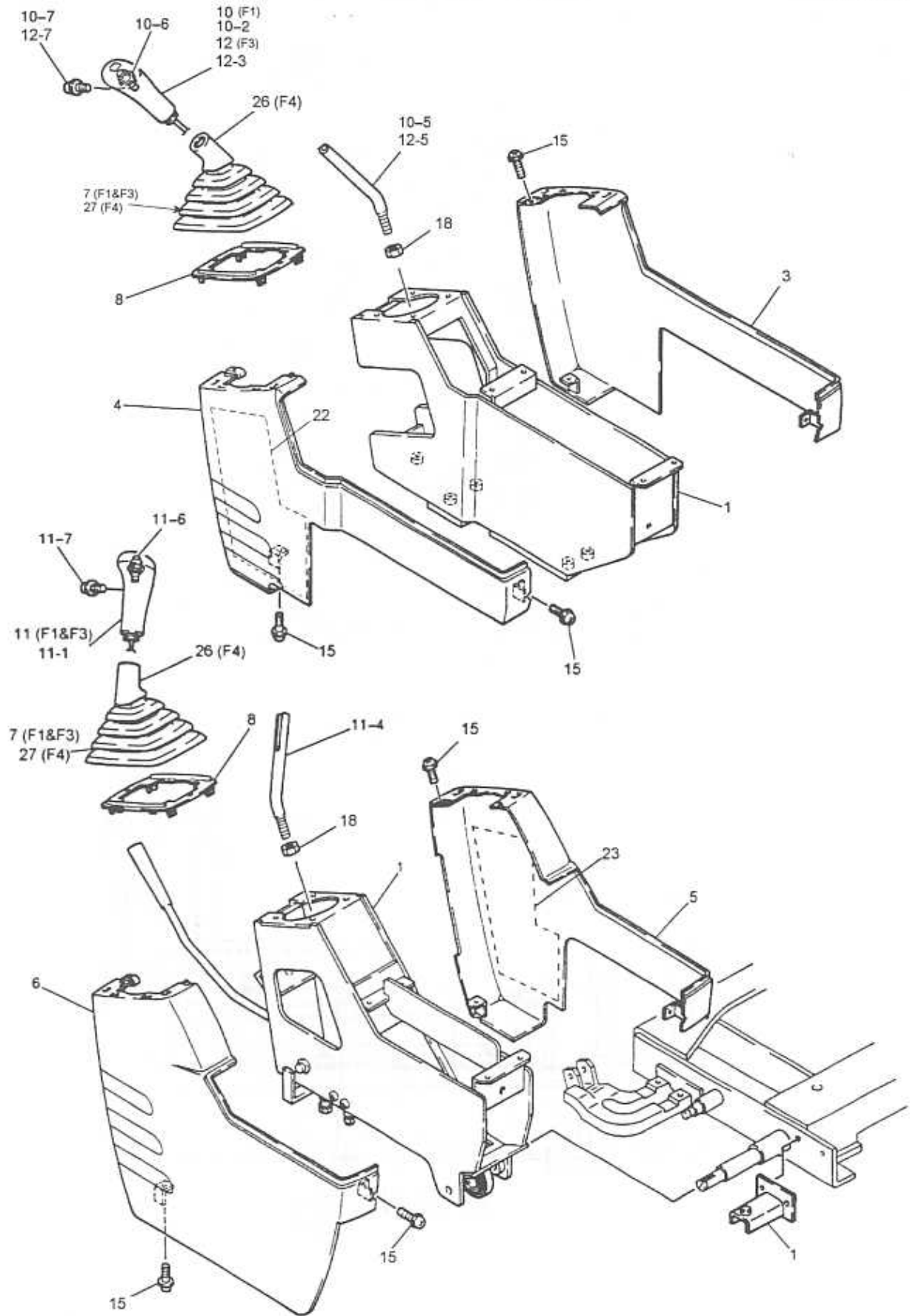
ITEM	PART NUMBER	DESCRIPTION	QTY			
22	2432T5299	CLAMP	2	2	2	2
23	45Z91D84	O-RING	2	2	2	2
24	2420T2948D20	U-BOLT (M8)	2	2	2	2
25	YN03H01074P1	BUSHING	1	1	1	1
26	ZC46X38014	CLIP	1	1	1	1
27	ZW16K12000	WASHER (M12)	8	8	8	8
28	YN02B01031D2	SPACER (L=22.5mm)	2	2	2	2
29	ZS18C12035	CAPSCREW (M12X35mm)	4	4	4	4
30	ZS18C10020	CAPSCREW (M10X20mm)	1	1	1	1
31	ZS18C10055	CAPSCREW (M10X55mm)	2	2	2	2
32	HS18C10125G1	CAPSCREW (M10X125mm)	4	4	4	4
33	ZS18C12040	CAPSCREW (M12X40mm)	2	2	2	2
34	ZS28C12025	CAPSCREW (M12X25mm)	4	4	4	4
35	ZW16H08000	WASHER (M8)	4	4	4	4
36	ZW16H10000	WASHER (M10)	9	9	9	9
37	ZW16H12000	WASHER (M12)	8	8	8	8
38	ZN18C08007	NUT (M8)	8	8	8	8
39	ZN18C10008	NUT (M10)	2	2	2	2
40	ZH32X12000	ELBOW, 90	1	-	1	-
40-1	ZD12P02400	O-RING	1	-	1	-
41	2444R399D8	ELBOW (PF1/2 - PF1)	1	-	1	-
41-1	ZD12P02900	O-RING	1	-	1	-
42	ZS28C12040	CAPSCREW (M12X40mm)	4	4	4	4
43	YN32H01178P1	TUBE	1	1	1	1
44	ZH22X08000	CONNECTOR	1	1	1	1
44-1	ZD12P01800	O-RING	1	1	1	1
46	YN32H01184P1	SUPPORT	1	1	1	1
47	YN32H01066P1	CLAMP	1	1	1	1
48	ZS18C12065	CAPSCREW (M12X65mm)	1	1	1	1
49	ZN18C12010	NUT (M12)	1	1	1	1
50	HH55Q08008G3	TEE (PF 1/2)	-	-	1	1
50-1	ZD12P01800	O-RING	-	-	1	1
51	ZH32X08000	ELBOW (PF 1/2)	-	-	1	1
51-1	ZD12P01800	O-RING	-	-	1	1

OPERATOR'S CONTROLS

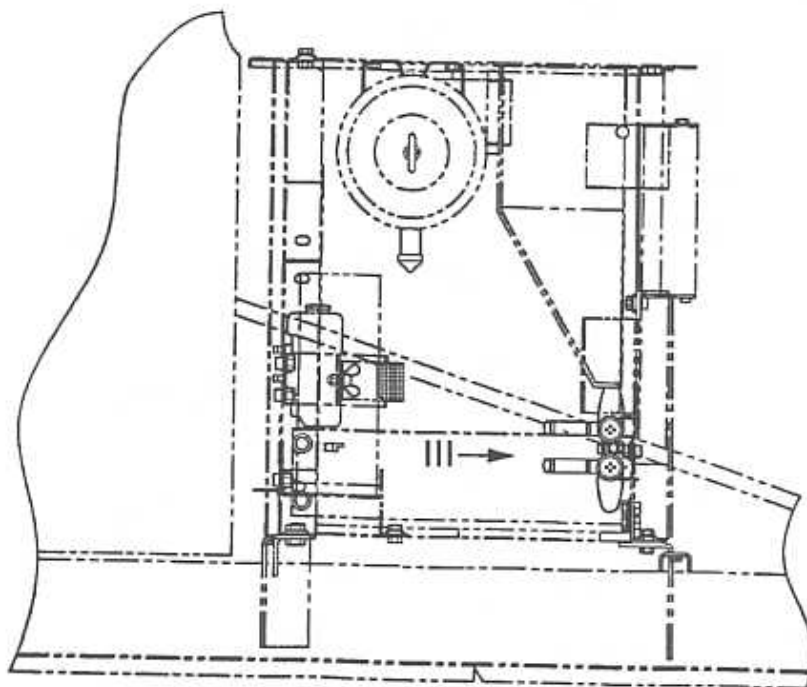


OPERATOR'S CONTROLS

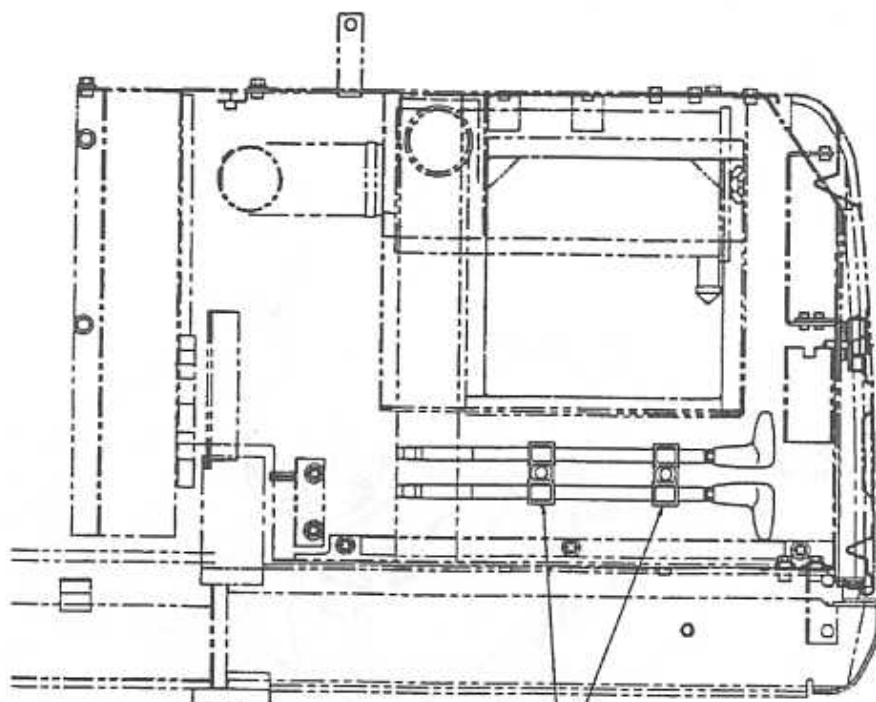
YQ08U0969-



OPERATOR'S CONTROLS



AIR CLEANER COMPARTMENT

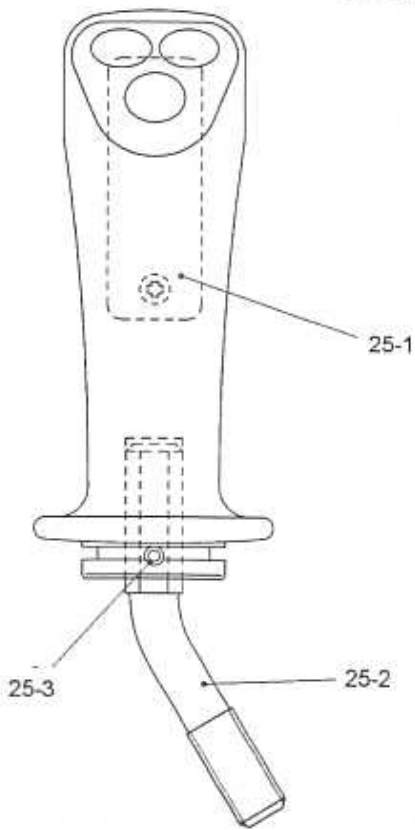


VIEW III

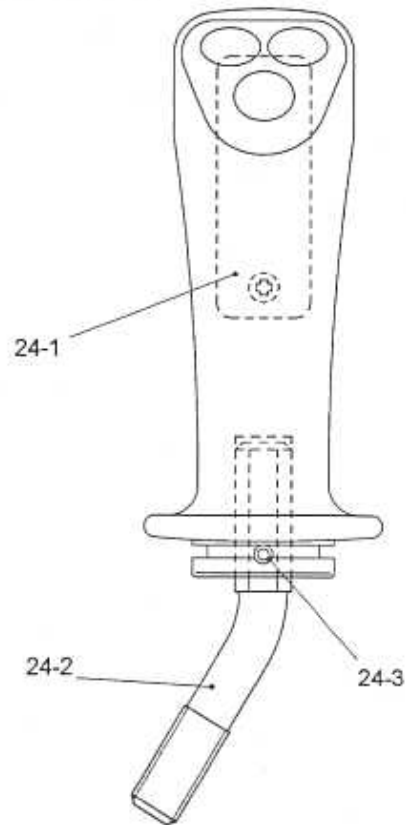
20 21

OPERATOR'S CONTROLS

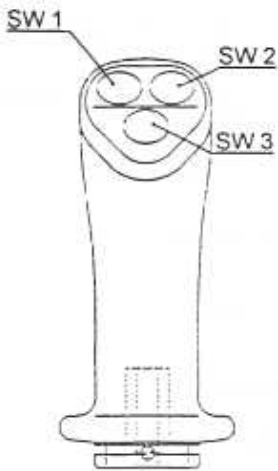
YQ08U0969~



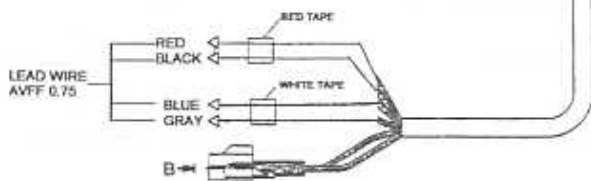
#25 (F3)



#24 (F3)



SW 1	— B (BLACK)
	— R (RED)
SW 2	— L (BLUE)
	— Gr (GRAY)
SW 3	— Y (YELLOW)
	— G (GREEN)
SWITCH CIRCUIT	

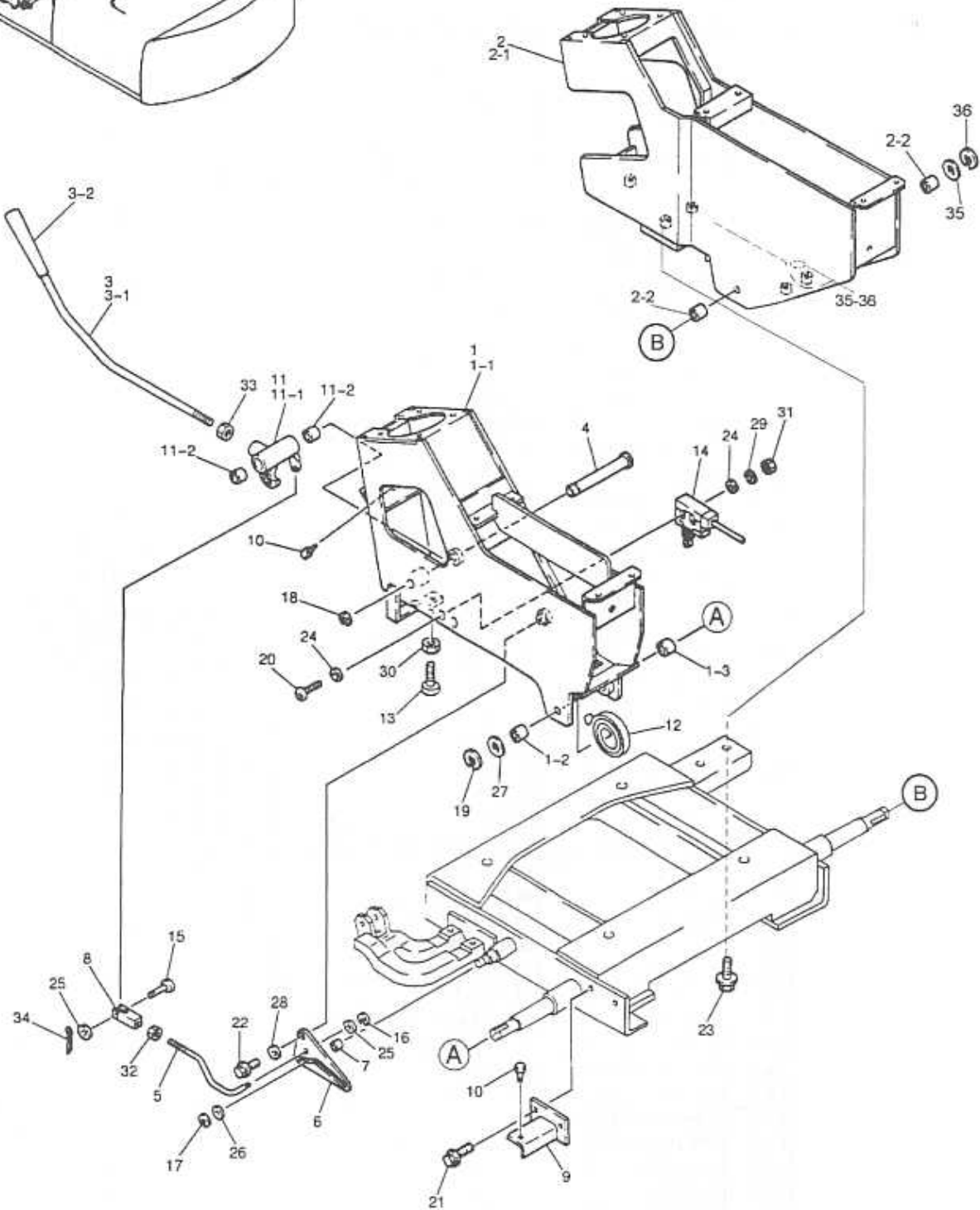
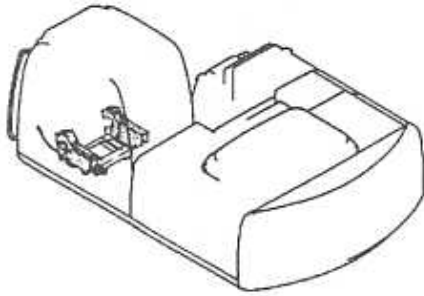


OPERATOR'S CONTROLS

YQ08U0969-

ITEM	PART NUMBER	DESCRIPTION	QTY			
		CONTROLS, OPERATOR				
	YN03M00081F1	CONTROLS, OPERATOR	F1	-	-	
	YN03M00081F3	CONTROLS, OPERATOR	-	F3	-	
		(50' L/R)				
	YN03M00081F4	CONTROLS, OPERATOR (Rotation, Rotation-N&B)	-	-	F4	
1	YN03M00079F1	CONTROL BOX ASSY	1	1	1	See P.104-01-1
3	YN03M01287P1	COVER (RH)	1	1	1	
4	YN03M01288P1	COVER (RH)	1	1	1	
5	YN03M01289P1	COVER (LH)	1	1	1	
6	YN03M01290P1	COVER (LH)	1	1	1	
7	YN03M01331P1	BOOT	2	2	-	
8	YN03M01328P2	PLATE	2	2	2	
9	YV03M01005P1	PLATE	1	1	1	
10	YN03M01369F2	GRIP ASSY (RH) (Att. Boost)	1	-	-	F1 only
10-2	YN03M01359P1	GRIP	1	-	-	F1 only
10-5	YN03M01362P1	LEVER	1	-	-	F1 only
10-6	YN50E00007P1	SWITCH ASSY	1	-	-	F1 only
10-7	YN03M01370P1	SEMS-BOLT (M3X0.5mm)	1	-	-	F1 only
11	YN03M01369F1	GRIP ASSY (LH) (Horn)	1	1	-	F1&F3 only
11-1	YN03M01358P1	GRIP	1	1	-	F1&F3 only
11-4	YN03M01361P1	LEVER	1	1	-	F1&F3 only
11-6	YN50E00007P1	SWITCH ASSY	1	1	-	F1&F3 only
11-7	YN03M01370P1	SEMS-BOLT (M3X0.5mm)	1	1	-	F1&F3 only
12	YN03M01369F3	GRIP ASSY (RH)	-	1	-	F3 only
12-3	YN03M01360P1	GRIP	-	1	-	F3 only
12-5	YN03M01362P1	LEVER	-	1	-	F3 only
12-7	YN03M01370P1	SEMS-BOLT (M3X0.5mm)	-	1	-	F3 only
13	YN03M01040P1	GRIP	2	2	2	
15	ZM46C06020	SEMS-BOLT (M6X20mm)	6	6	6	
16	ZM22C10020	SEMS-BOLT (M10X20mm)	4	4	4	
17	ZM22C10025	SEMS-BOLT (M10X25mm)	4	4	4	
18	ZN18C14011	NUT (M14)	2	2	2	
19	2420Z1232	NUT (M12)	2	2	2	
20	PH32H01007P1	CLAMP	2	2	2	
21	ZM22C10040	BOLT (M10X40mm)	2	2	2	
22	YN03M01441P1	INSULATION	1	1	1	
23	YN03M01442P1	INSULATION	1	1	1	
24	YN03M01484F1	GRIP ASSY (RH) (3-Switch)	-	-	1	
24-1	LF03M01005F3	HANDLE ASSY	-	-	1	
24-2	YN03M01473P1	LEVER	-	-	1	
24-3	ZP26D05028	PIN, SPRING	-	-	1	
25	YN03M01484F2	GRIP ASSY (LH) (3-Switch)	-	-	1	
25-1	LF03M01005F3	HANDLE ASSY	-	-	1	
25-2	YN03M01473P1	LEVER	-	-	1	
25-3	ZP26D05028	PIN, SPRING	-	-	1	
26	LE03M01004P1	BOOT	-	-	2	
27	YN03M01483P1	BOOT	-	-	2	
29	YN50M00004F2	LEVER ASSY, PROPEL	1	1	1	See P.108-01-1

CONTROL BOX ASSEMBLY



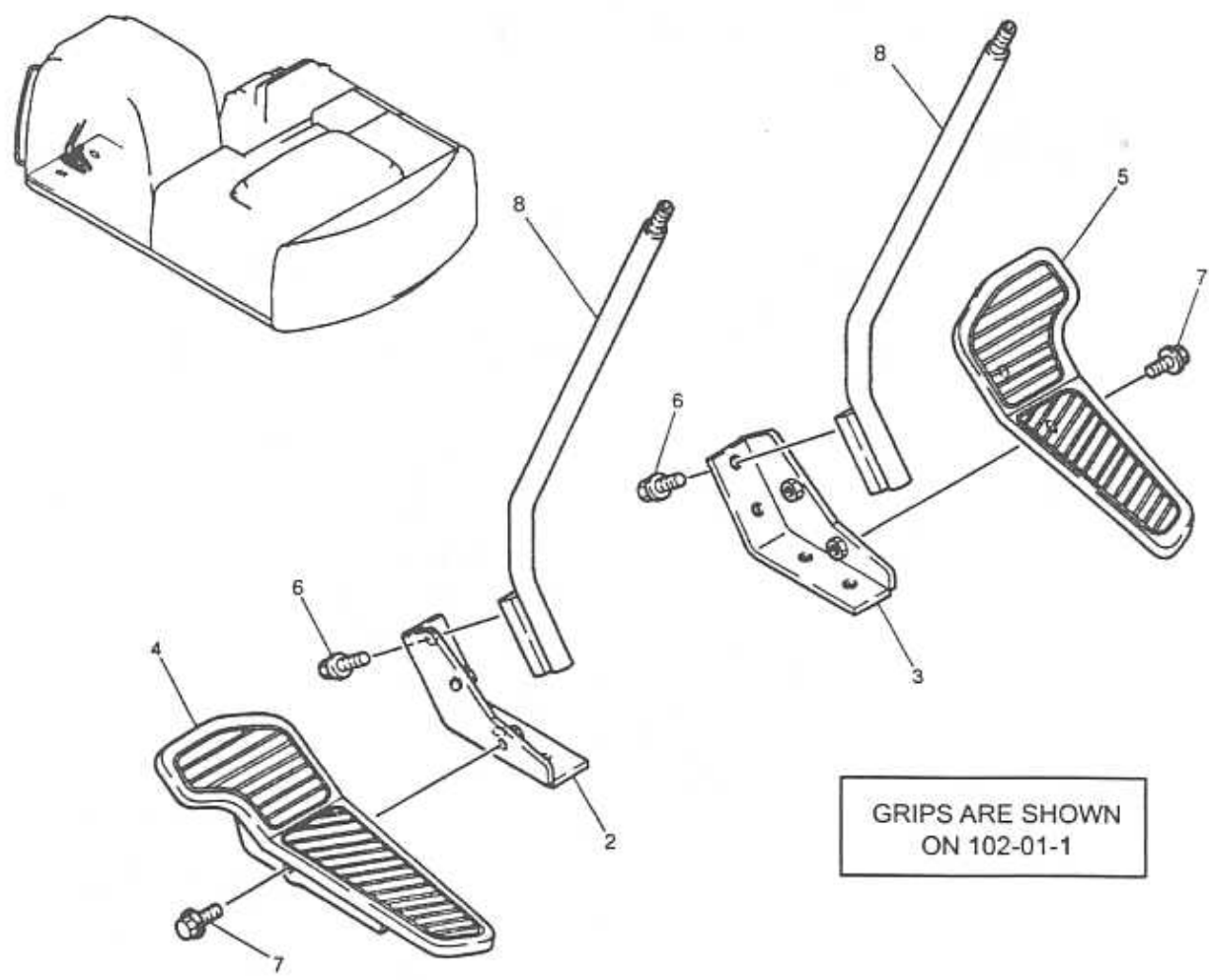
CONTROL BOX ASSEMBLY

YQ08U0969-

ITEM	PART NUMBER	DESCRIPTION	QTY	
	YN03M00079F1	BOX ASSY, CONTROL		
1	YN03M01350F1	CONTROL BOX	1	
1-1	YN03M01349P1	CONTROL BOX	1	
1-2	2405R312D1612	BUSHING	1	
1-3	2405R312D2010	BUSHING	1	
2	YN03M01469F1	CONTROL BOX	1	
2-1	YN03M01470P1	CONTROL BOX	1	
2-2	2405R312D2010	BUSHING	2	
3	YN03M01336P1	LEVER	1	
3-1	YN03M01336P1001	LEVER	1	
3-2	YN03M01336P1002	GRIP	1	
4	YN03M01297P1	SHAFT	1	
5	YN03M01339P1	ROD	1	
6	YN03M01366P1	PLATE	1	
7	YN03M01347P1	ROLLER	1	
8	YN03M01333P1	YOKE	1	
9	YN03M01447P2	PLATE	1	
10	YT03M01117P1	RUBBER	2	
11	YT03M01105F1	LOCK ASSY	1	
11-1	YT03M01104P1	LOCK	1	
11-2	2405R312D1415	BUSHING	2	
12	PH03M01017P1	SPRING	1	
13	PY06C01040P1	STOPPER	1	
14	YN50S01001P1	SWITCH, LIMIT	1	
15	ZP45X06020	PIN	1	
16	ZR36X00500	RING, SNAP	1	
17	ZR36X00700	RING, SNAP	1	
18	ZR36X01200	RING, SNAP	1	
19	ZR16X01600	RING, SNAP	1	
20	ZS31C04045	MACHINESCREW	2	(M4X45mm)
21	ZM66C06020	SEMS-BOLT	2	(M6X20mm)
22	ZM12C08020	SEMS-BOLT	1	(M8X20mm)
23	ZM27C10025	SEMS-BOLT	2	(M10X25mm)
24	ZW16K04000	WASHER	4	(M4)
25	ZW16X06000	WASHER	2	(M6)
26	ZW16X08000	WASHER	1	(M8)
27	ZW16X16000	WASHER	1	(M16)
28	ZW16H08000	WASHER	1	(M8)
29	ZW26X04000	LOCK WASHER	2	(M4)
30	ZN18F10008	NUT	1	(M10)
31	ZN18C04003	NUT	2	(M4)
32	ZN18C08007	NUT	1	(M8)
33	ZN18C14011	NUT	1	(M14)
34	ZP16K01616	COTTER PIN	1	
35	ZW16X20000	WASHER	1	(M20)
36	ZR16X02000	RING, SNAP	1	

PROPEL LEVER ASSEMBLY

YQ08U0969-

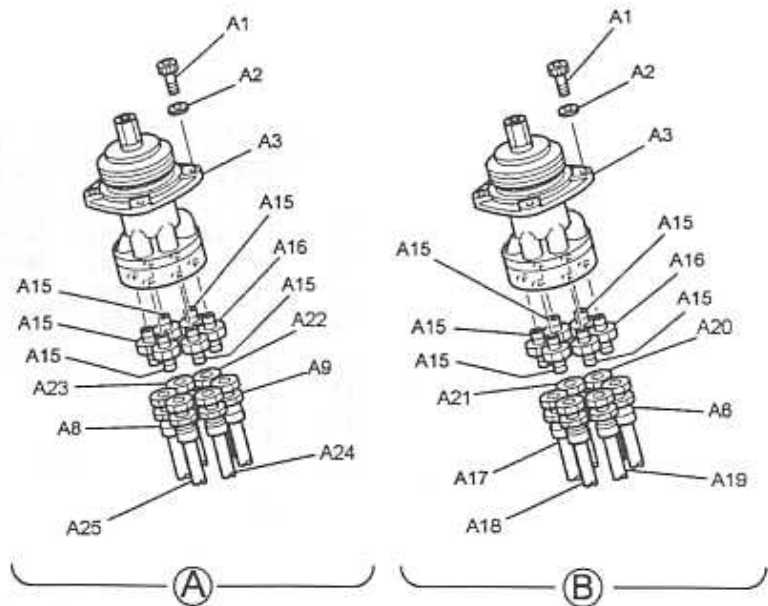
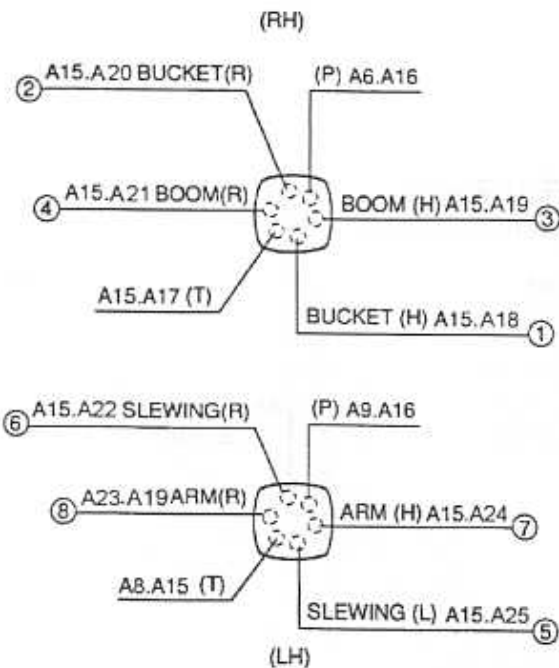
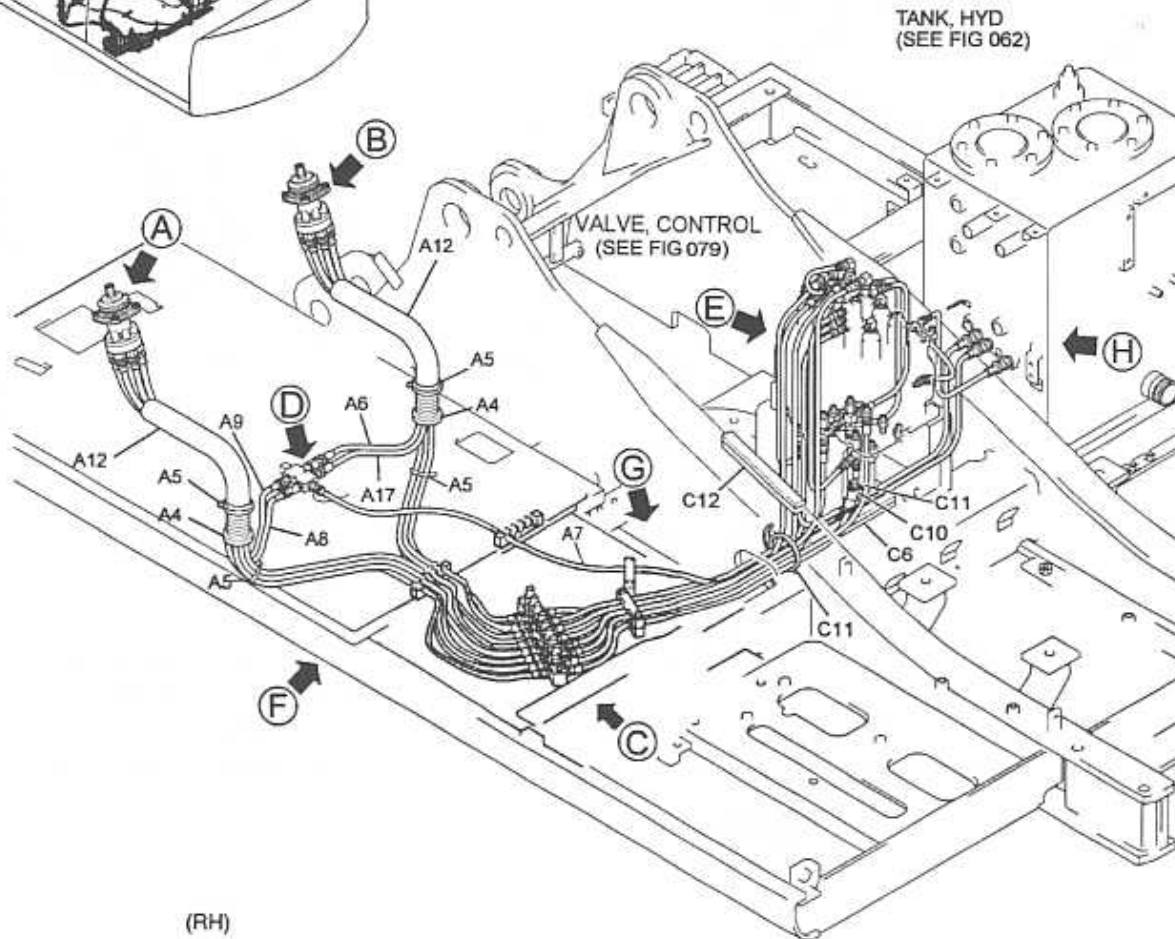
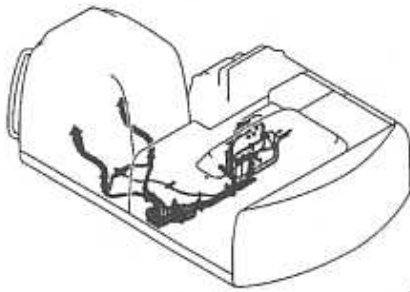


GRIPS ARE SHOWN ON 102-01-1

ITEM	PART NUMBER	DESCRIPTION	QTY
	YN50M00004F2	LEVER ASSY, PROPEL	
2	YV50M01010P1	SUPPORT	1
3	YV50M01009P1	SUPPORT	1
4	YV55M01001P1	PEDAL	1
5	YV55M01002P1	PEDAL	1
6	ZM27C08020	SEMS-BOLT	4
7	ZM27C08025	SEMS-BOLT	4
8	YN50M01029P1	LEVER	2

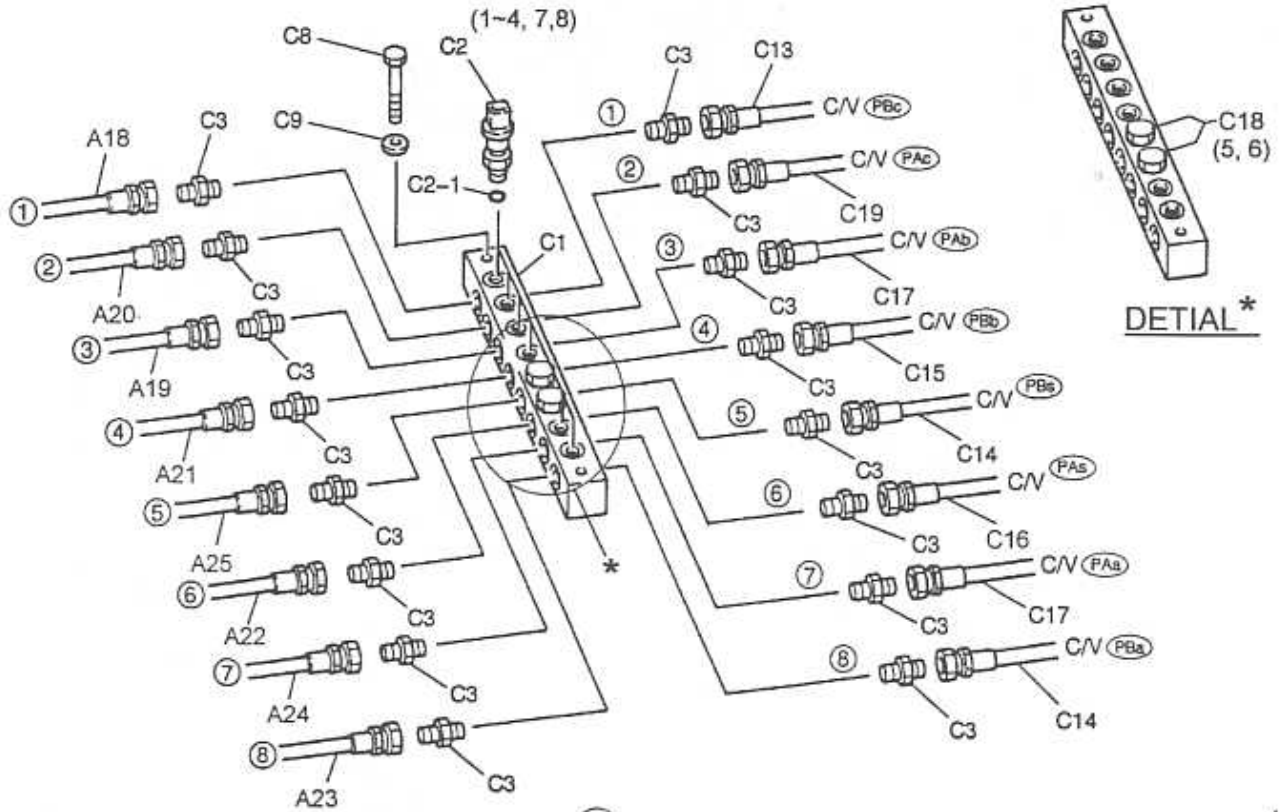
(M8X20mm)
(M8X25mm)

REMOTE CONTROL LINES

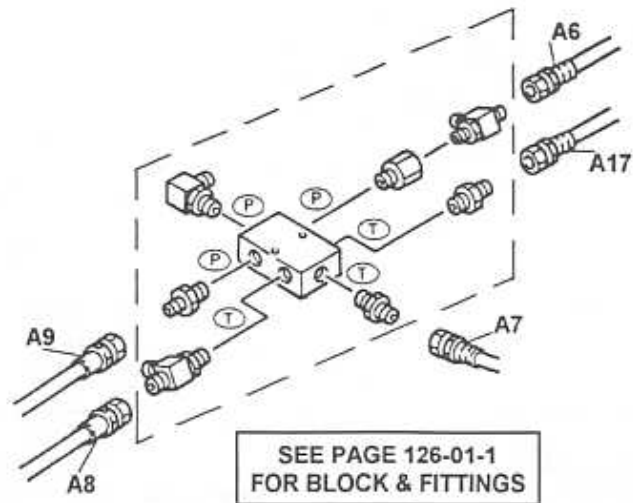


REMOTE CONTROL LINES

YQ08U0969-

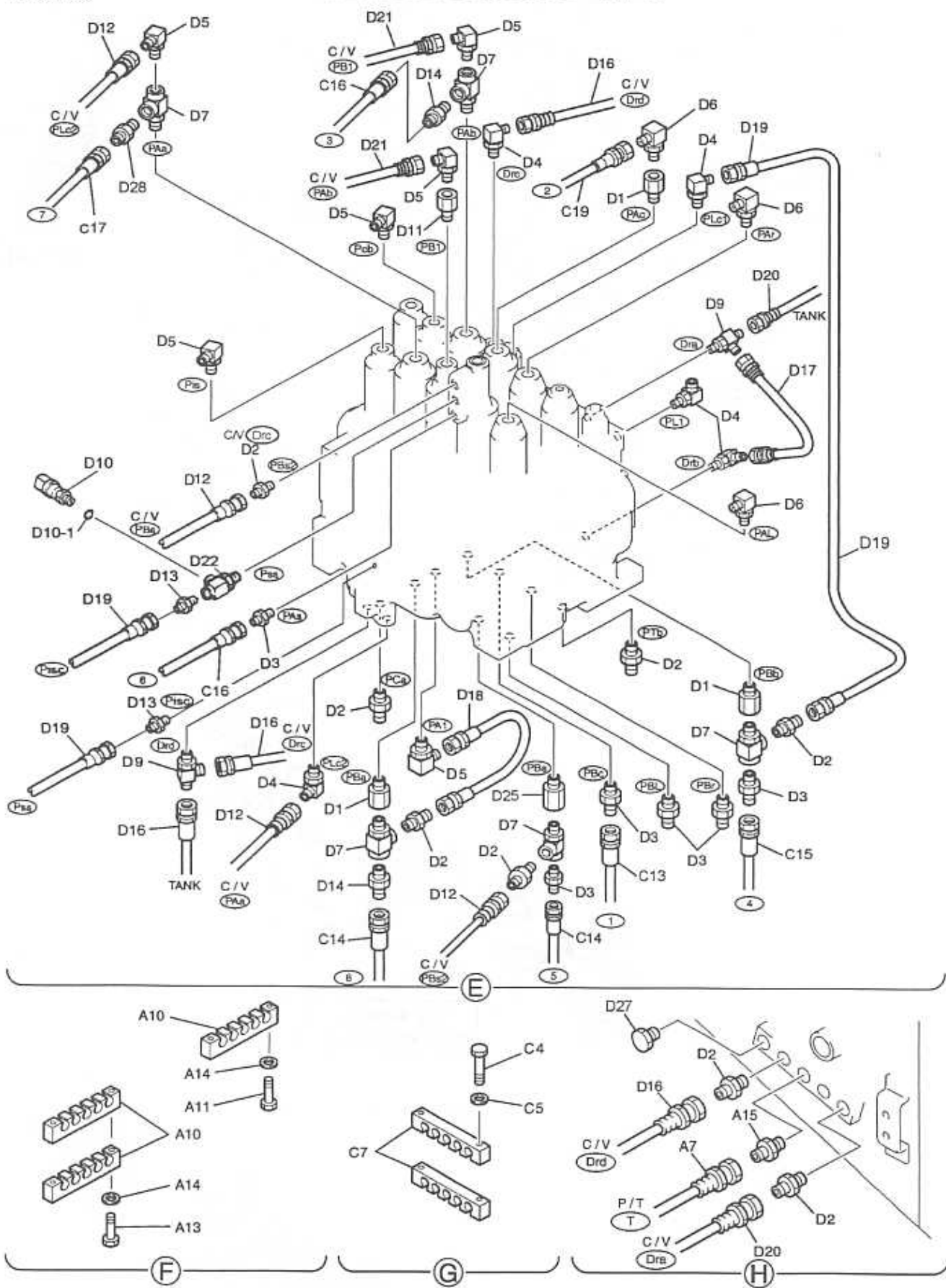


C



D

REMOTE CONTROL LINES



REMOTE CONTROL LINES

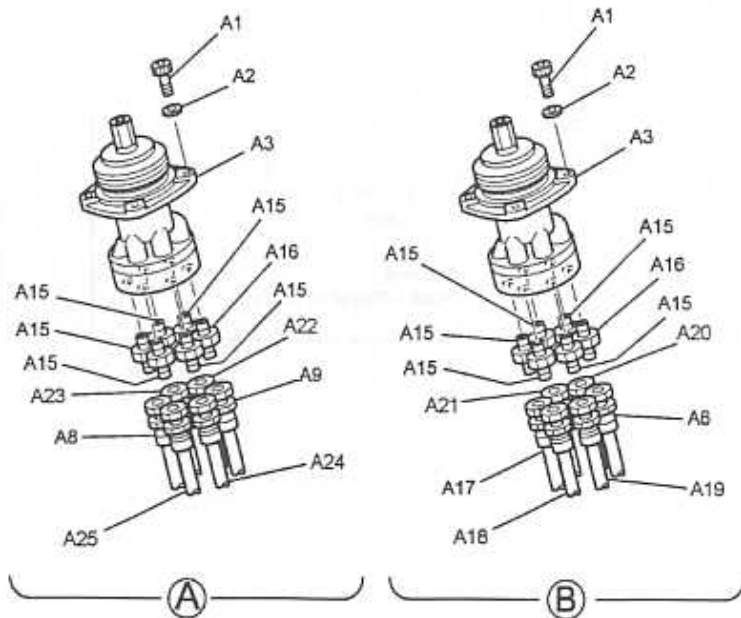
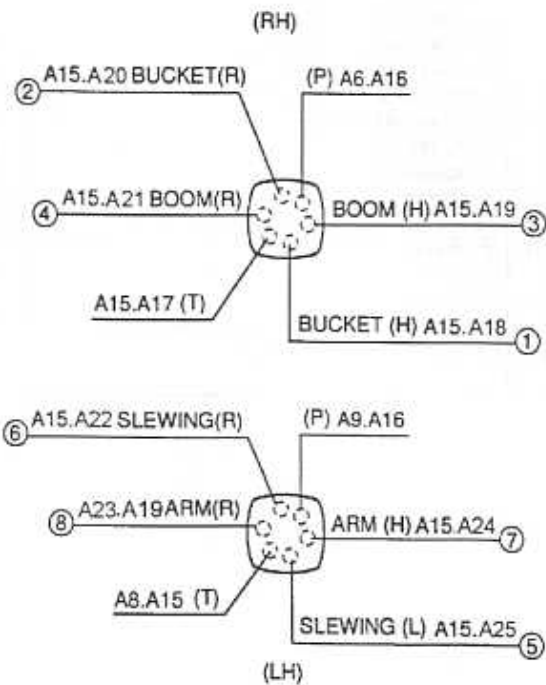
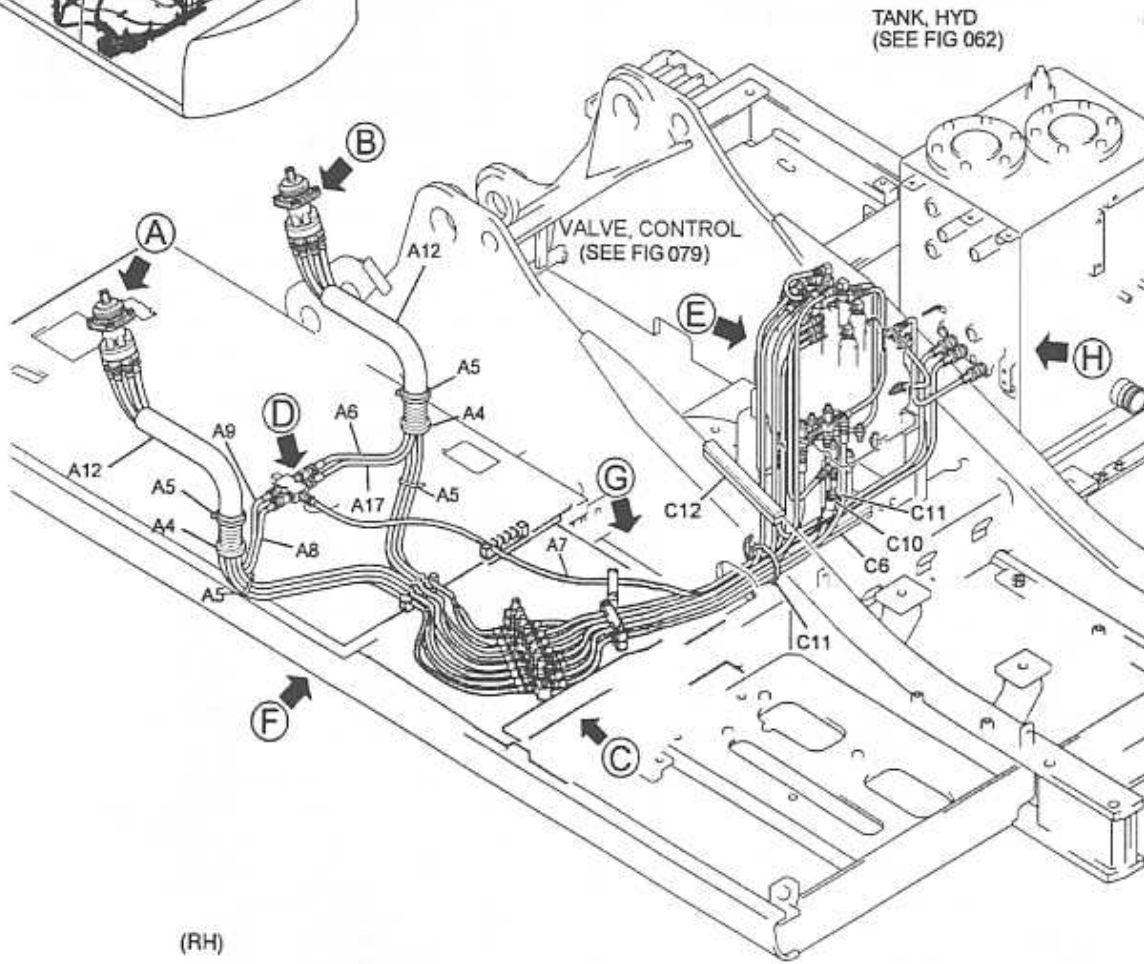
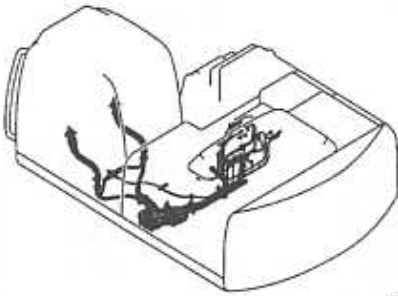
YQ08U0969~

ITEM	PART NUMBER	DESCRIPTION	QTY
		CONTROL LINES, REMOTE	
	YN68H00102F1	CONTROL LINES, REMOTE	
A1	ZS28C06025	CAPSCREW (M6X25mm)	8
A2	ZW16X06000	WASHER (M6)	8
A3	YN30V00069F1	VALVE, PILOT	2
A4	PH03M01250P1	BOOT	2
A5	PY01P01043D6	CLIP	4
A6	2420R349D110	HOSE (PF1/4)(L=1100mm)	1
A7	2444R1119D230	HOSE (PF3/8)(L=2300mm)	1
A8	2444R1119D105	HOSE (PF3/8)(L=1050mm)	1
A9	2420R349D105	HOSE (PF1/4)(L=1050mm)	1
A10	YN68H01035P1	CLAMP	3
A11	ZS18C08040	CAPSCREW (M8X40mm)	2
A12	YR88H01016D3	HOSE (L=650mm)	2
A13	ZS18C08065	CAPSCREW (M8X65mm)	2
A14	ZW16X08000	WASHER (M8)	4
A15	ZH22X06000	CONNECTOR (PF3/8)	11
A15-1	ZD12P01400	O-RING	1
A16	HH25X04004G2	CONNECTOR w/Filter (PF1/4)	2
A16-1	ZD12P01100	O-RING	1
A17	2444R1119D115	HOSE (PF3/8)(L=1150mm)	1
A18	YN68H01001D1	HOSE (Red)(PF3/8)(L=2050mm)	1
A19	YN68H01001D3	HOSE (Green)(PF3/8)(L=2050mm)	1
A20	YN68H01001D2	HOSE (Blue)(PF3/8)(L=2050mm)	1
A21	YN68H01001D4	HOSE (Gray)(PF3/8)(L=2050mm)	1
A22	YW68H01010D1	HOSE (Red)(PF3/8)(L=2150mm)	1
A23	YW68H01010D3	HOSE (Green)(PF3/8)(L=2150mm)	1
A24	YW68H01010D2	HOSE (Blue)(PF3/8)(L=2150mm)	1
A25	YW68H01010D4	HOSE (Gray)(PF3/8)(L=2150mm)	1
	YN64H00158F1	CONTROL LINES, BLOCK	
C1	YN64H01075P1	BLOCK	1
C2	YX52S00010P1	SENSOR, PRESS	6
C2-1	ZS12P01100	O-RING	1
C3	ZH22X06000	CONNECTOR (PF3/8)	16
C3-1	ZD12P01400	O-RING	1
C4	ZS18C08065	CAPSCREW (M8X65mm)	2
C5	ZW16X08000	WASHER (M8)	2
C6	YN64H01068DD	RUBBER	1
C7	YN68H01035P1	CLAMP	2
C8	ZS18C08055	CAPSCREW (M8X55mm)	2
C9	ZW16H08000	WASHER (M8)	2
C10	YN64H01018P1	GROMMET	1
C11	PY01P01043D6	CLIP	4
C12	YN64H01017P1	RUBBER	1
C13	2420R537D130	HOSE (PF3/8)(L=1300mm)	1

See CPM

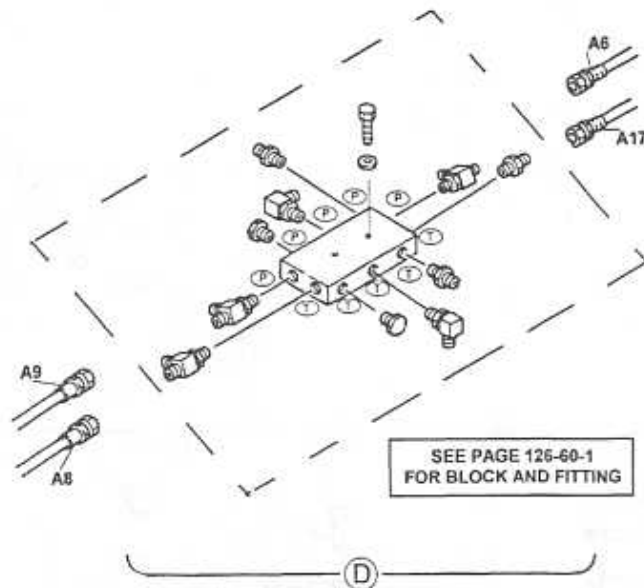
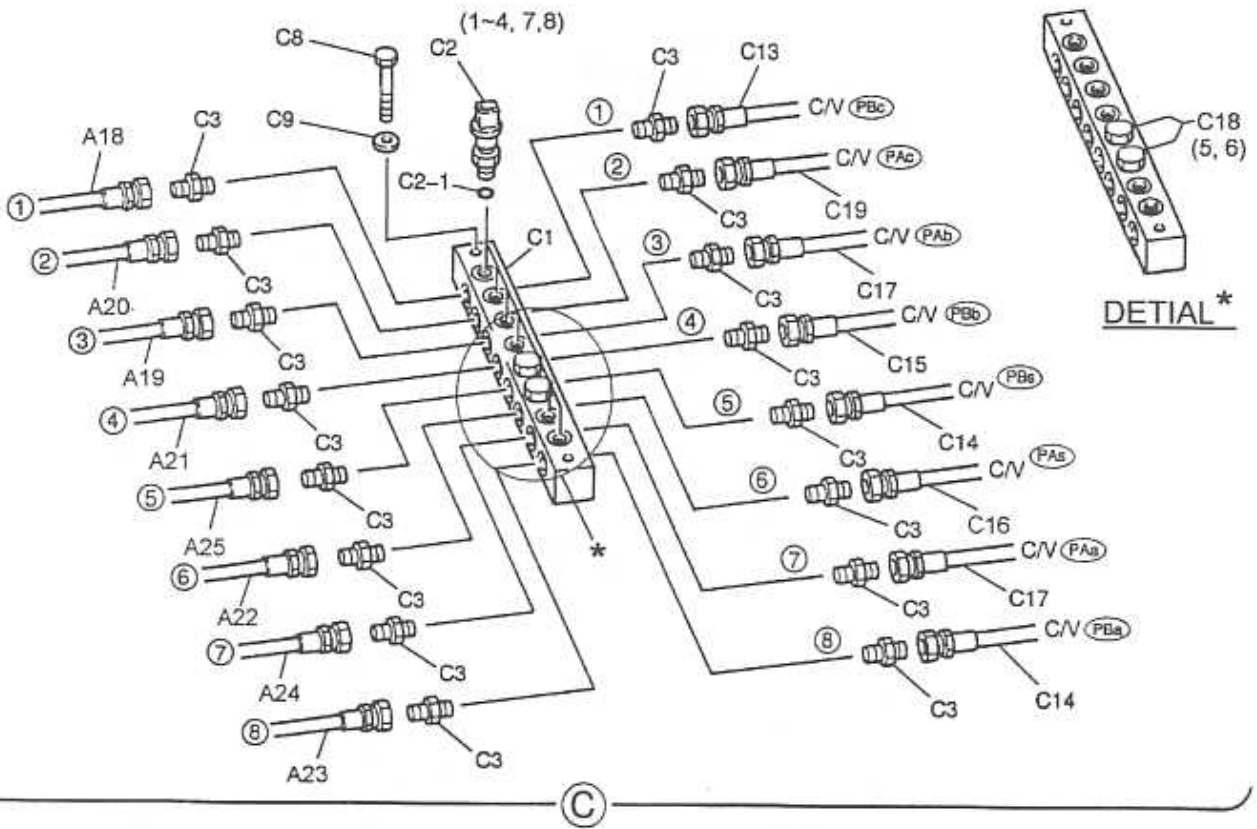
ITEM	PART NUMBER	DESCRIPTION	QTY
C14	2420R537D120	HOSE (PF3/8)(L=1200mm)	2
C15	2420R537D125	HOSE (PF3/8)(L=1250mm)	1
C16	2420R537D155	HOSE (PF3/8)(L=1550mm)	1
C17	2420R537D160	HOSE (PF3/8)(L=1600mm)	2
C18	ZE72X04000	PLUG (PF1/4)	2
C19	2420R537D165	HOSE (PF3/8)(L=1650mm)	1
	YN06H00067F1	CONTROL LINES, MAIN (STD, 50' L/R, Rotation)	
D1	2444Z2891	CONNECTOR (PF3/8)(L=23mm)	3
D1-1	ZD12P01400	O-RING	1
D2	ZH22X04006	CONNECTOR (PF1/4-PF3/8)	8
D2-1	ZD12P01400	O-RING	1
D3	ZH22X06000	CONNECTOR (PF3/8)	6
D3-1	ZD12P01400	O-RING	1
D4	ZH32X04000	ELBOW, 90 (PF1/4)	5
D4-1	ZD12P01100	O-RING	1
D5	ZH32X04006	ELBOW (PF1/4-PF3/8)	6
D5-1	ZD12P01400	O-RING	1
D6	ZH32X06000	ELBOW, 90 (PF3/8)	3
D6-1	ZD12P01400	O-RING	1
D7	HH55Q06006G1	TEE (PF3/8)	5
D7-1	ZD12P01400	O-RING	1
D9	2444Z2336	TEE (PF1/4)	2
D9-1	ZD12P01100	O-RING	1
D10	YX52S00010P1	SENSOR, PRESS (PF1/4)	1
D10-1	ZD12P01100	O-RING	1
D11	YN06H01017P1	CONNECTOR (PF3/8)	1
D11-1	ZD12P01400	O-RING	1
D12	2420R349D085	HOSE (PF3/8)(L=850mm)	2
D13	ZH22X04000	CONNECTOR (PF1/4)	2
D13-1	ZD12P01100	O-RING	1
D14	YN21V00005F2	VALVE, CHECK (PF3/8)	2
D14-1	ZD12P01400	O-RING	1
D16	2420R349D090	HOSE (PF1/4)(L=900mm)	2
D17	2420R349D030	HOSE (PF1/4)(L=300mm)	1
D18	2420R349D040	HOSE (PF1/4)(L=400mm)	1
D19	2420R349D065	HOSE (PF1/4)(L=650mm)	2
D20	2420R349D050	HOSE (PF1/4)(L=500mm)	1
D21	2420R349D042	HOSE (PF1/4)(L=420mm)	1
D22	HH55Q04004G1	TEE (PF1/4)	1
D22-1	ZD12P01100	O-RING	1
D25	YN06H01006P1	CONNECTOR (PF3/8)	1
D25-1	ZD12P01400	O-RING	1
D27	ZE72X06000	PLUG (PF3/8)	1
D27-1	ZD12P01400	O-RING	1
D28	YN21V00005F4	VALVE, CHECK (PF3/8)	1
D28-1	ZD12P01400	O-RING	1

REMOTE CONTROL LINES (NIBBLER & BREAKER)

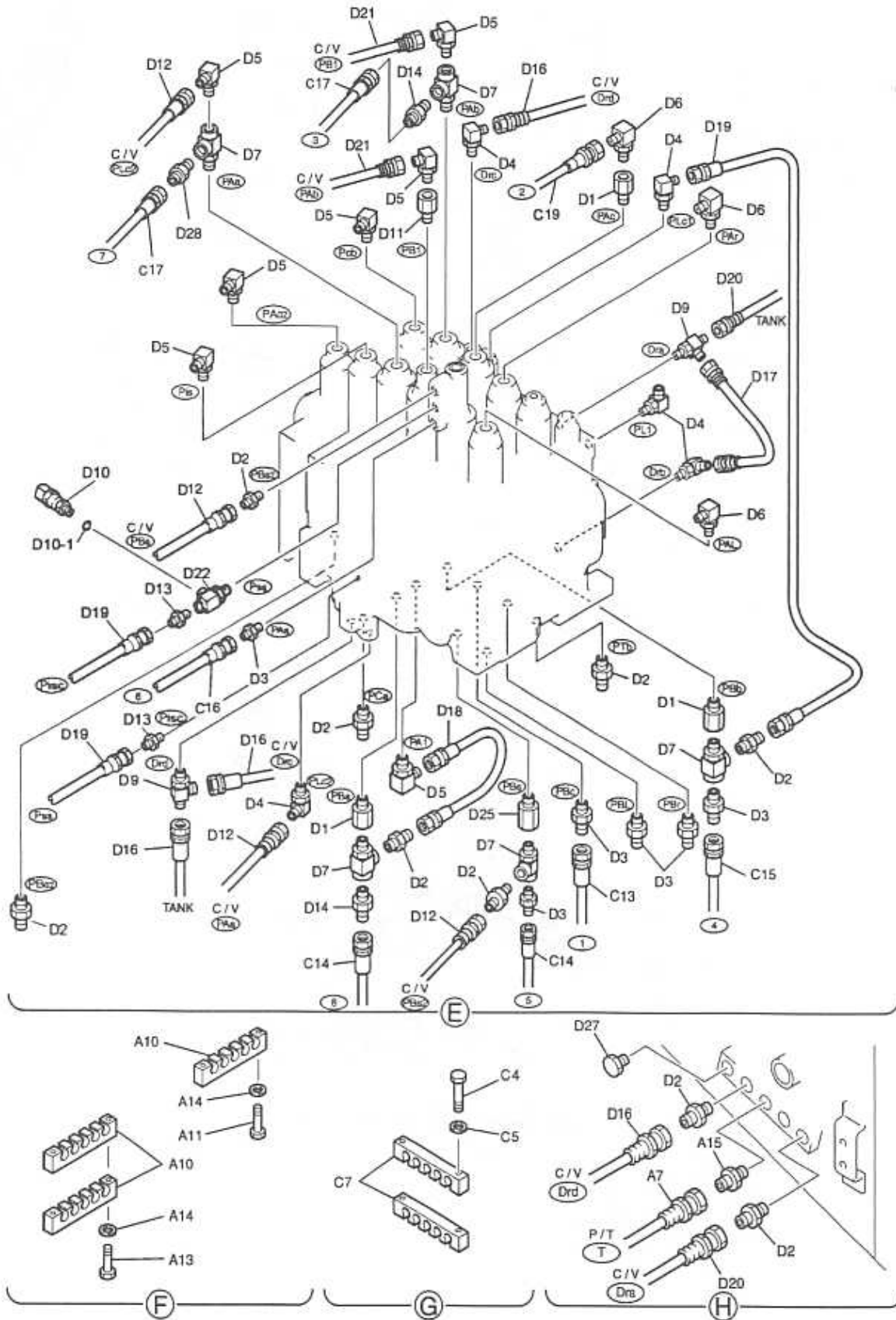


REMOTE CONTROL LINES (NIBBLER & BREAKER)

YQ08U0969-



REMOTE CONTROL LINES (NIBBLER & BREAKER)



REMOTE CONTROL LINES (NIBBLER & BREAKER)

ITEM	PART NUMBER	DESCRIPTION	QTY
		CONTROL LINES, REMOTE (N&B)	
	YN68H00102F1	CONTROL LINES, REMOTE	
A1	ZS28C06025	CAPSCREW (M6X25mm)	8
A2	ZW16X06000	WASHER (M6)	8
A3	YN30V00069F1	VALVE, PILOT	2
A4	PH03M01250P1	BOOT	2
A5	PY01P01043D6	CLIP	4
A6	2420R349D110	HOSE (PF1/4)(L=1100mm)	1
A7	2444R1119D230	HOSE (PF3/8)(L=2300mm)	1
A8	2444R1119D105	HOSE (PF3/8)(L=1050mm)	1
A9	2420R349D105	HOSE (PF1/4)(L=1050mm)	1
A10	YN68H01035P1	CLAMP	3
A11	ZS18C08040	CAPSCREW (M8X40mm)	2
A12	YR68H01016D3	HOSE (L=650mm)	2
A13	ZS18C08065	CAPSCREW (M8X65mm)	2
A14	ZW16X08000	WASHER (M8)	4
A15	ZH22X06000	CONNECTOR (PF3/8)	11
A15-1	ZD12P01400	O-RING	1
A16	HH25X04004G2	CONNECTOR w /Filter (PF1/4)	2
A16-1	ZD12P01100	O-RING	1
A17	2444R1119D115	HOSE (PF3/8)(L=1150mm)	1
A18	YN68H01001D1	HOSE (Red)(PF3/8)(L=2050mm)	1
A19	YN68H01001D3	HOSE (Green)(PF3/8)(L=2050mm)	1
A20	YN68H01001D2	HOSE (Blue)(PF3/8)(L=2050mm)	1
A21	YN68H01001D4	HOSE (Gray)(PF3/8)(L=2050mm)	1
A22	YW68H01010D1	HOSE (Red)(PF3/8)(L=2150mm)	1
A23	YW68H01010D3	HOSE (Green)(PF3/8)(L=2150mm)	1
A24	YW68H01010D2	HOSE (Blue)(PF3/8)(L=2150mm)	1
A25	YW68H01010D4	HOSE (Gray)(PF3/8)(L=2150mm)	1
	YN64H00158F1	CONTROL LINES, BLOCK	
C1	YN64H01075P1	BLOCK	1
C2	YX52S00010P1	SENSOR, PRESS	6
C2-1	ZS12P01100	O-RING	1
C3	ZH22X06000	CONNECTOR (PF3/8)	16
C3-1	ZD12P01400	O-RING	1
C4	ZS18C08065	CAPSCREW (M8X65mm)	2
C5	ZW16X08000	WASHER (M8)	2
C6	YN64H01068DD	RUBBER	1
C7	YN68H01035P1	CLAMP	2
C8	ZS18C08055	CAPSCREW (M8X55mm)	2
C9	ZW16H08000	WASHER (M8)	2
C10	YN64H01018P1	GROMMET	1
C11	PY01P01043D6	CLIP	4
C12	YN64H01017P1	RUBBER	1
C13	2420R537D130	HOSE (PF3/8)(L=1300mm)	1

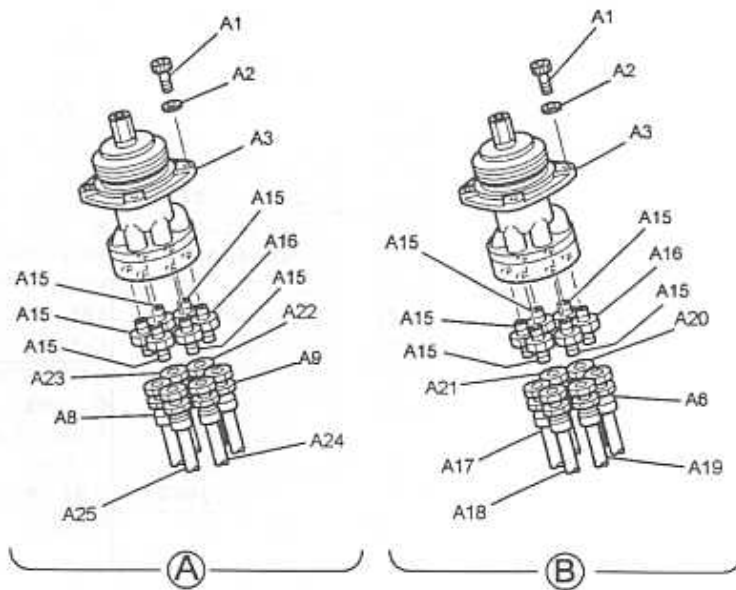
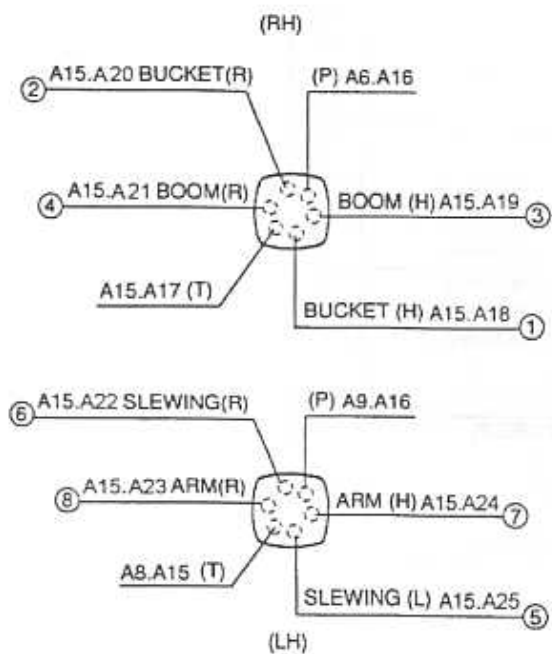
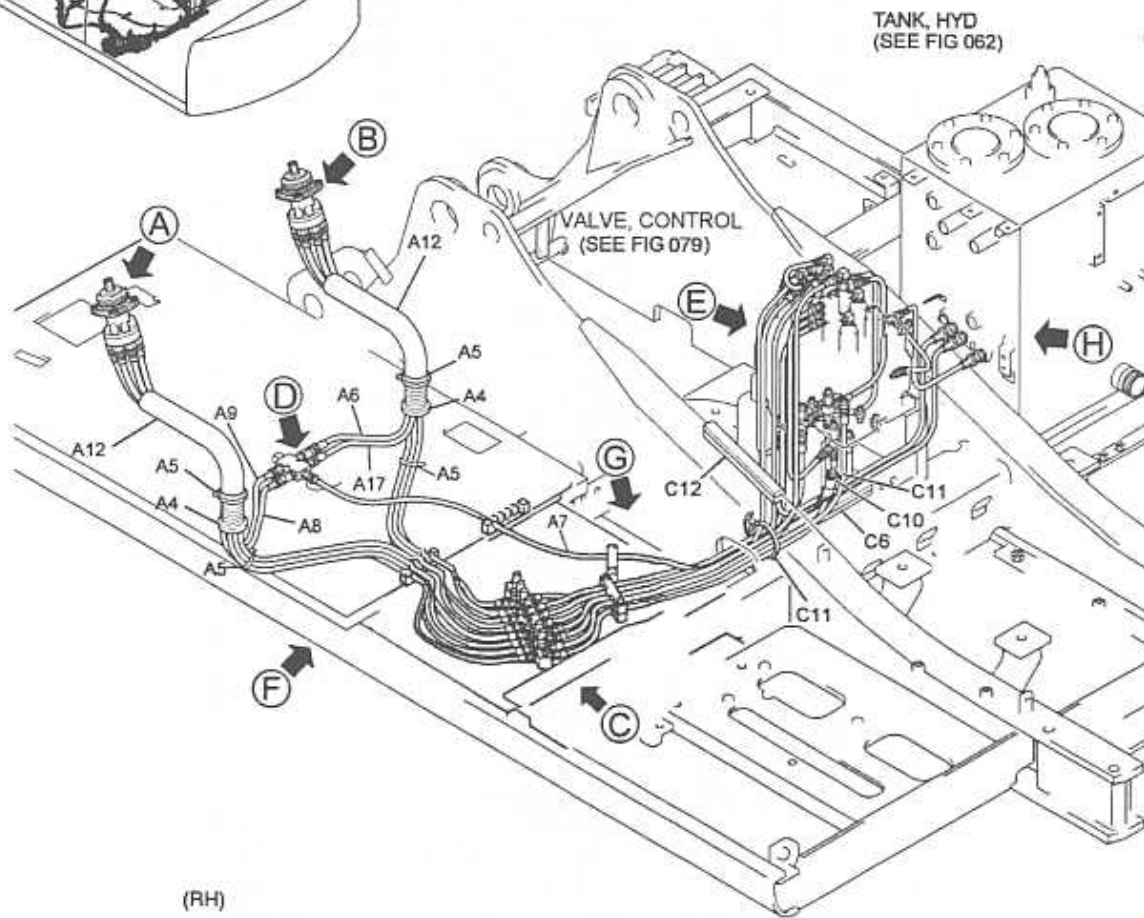
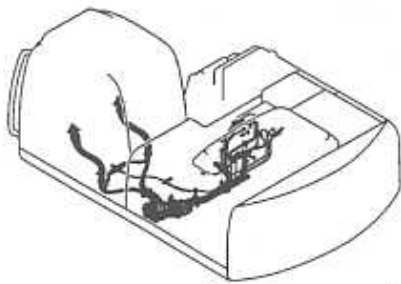
See CPM

REMOTE CONTROL LINES (NIBBLER & BREAKER)

YQ08U0969~

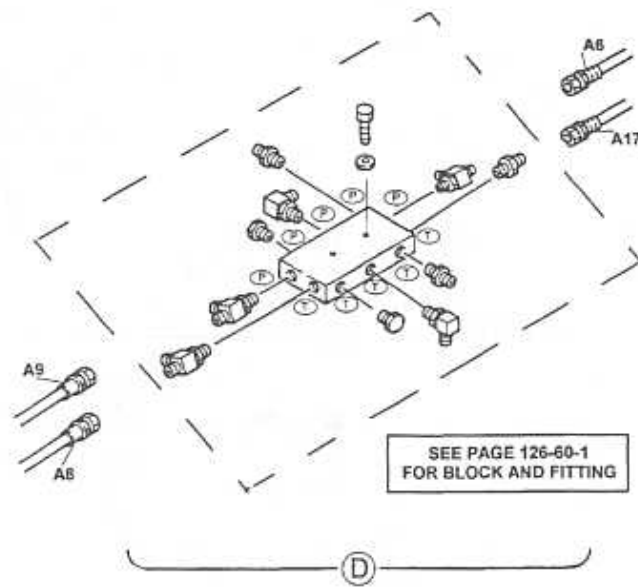
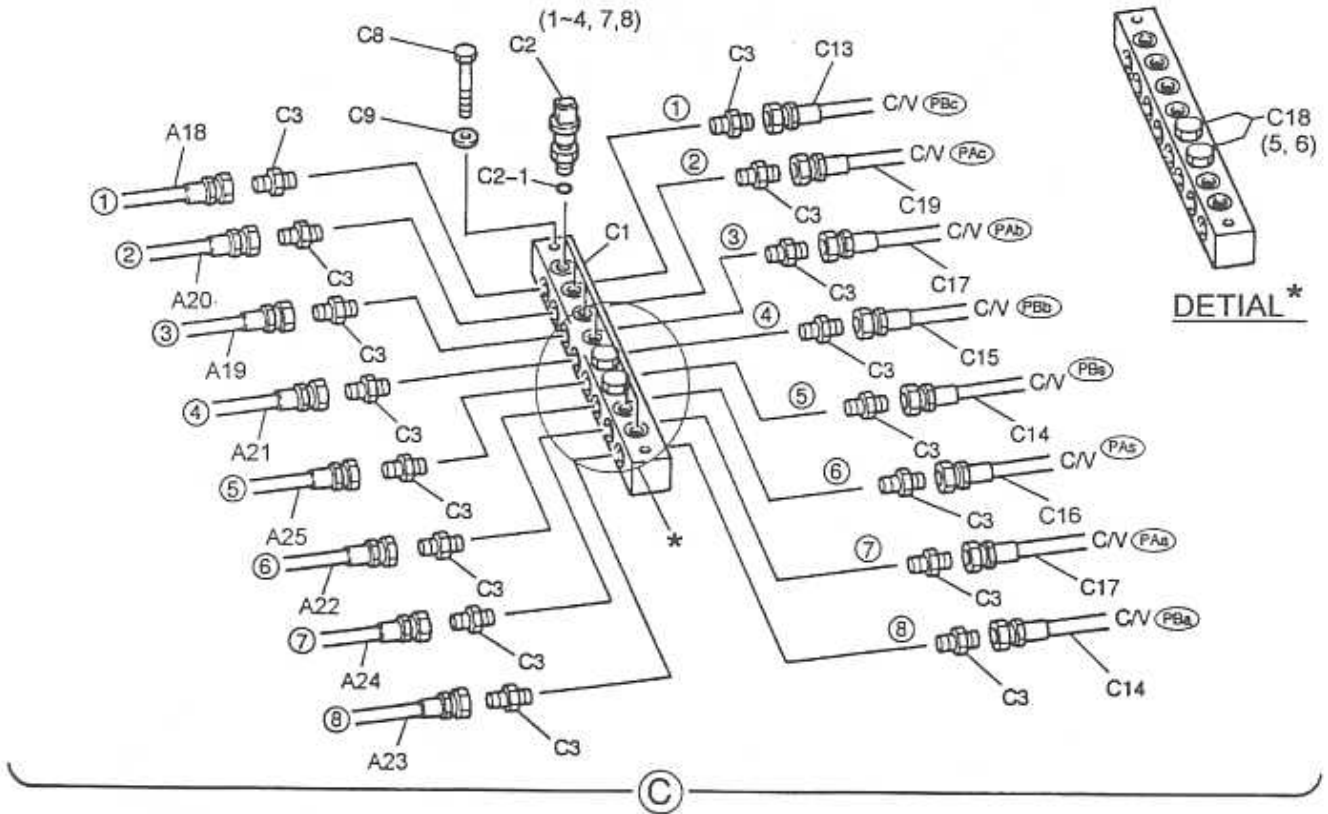
ITEM	PART NUMBER	DESCRIPTION	QTY
C14	2420R537D120	HOSE (PF3/8)(L=1200mm)	2
C15	2420R537D125	HOSE (PF3/8)(L=1250mm)	1
C16	2420R537D155	HOSE (PF3/8)(L=1550mm)	1
C17	2420R537D160	HOSE (PF3/8)(L=1600mm)	2
C18	ZE72X04000	PLUG (PF1/4)	2
C19	2420R537D165	HOSE (PF3/8)(L=1650mm)	1
	YN06H00067F2	CONTROL LINES, MAIN (N&B)	
D1	2444Z2891	CONNECTOR (PF3/8)(L=23mm)	3
D1-1	ZD12P01400	O-RING	1
D2	ZH22X04006	CONNECTOR (PF1/4-PF3/8)	9
D2-1	ZD12P01400	O-RING	1
D3	ZH22X06000	CONNECTOR (PF3/8)	6
D3-1	ZD12P01400	O-RING	1
D4	ZH32X04000	ELBOW, 90 (PF1/4)	5
D4-1	ZD12P01100	O-RING	1
D5	ZH32X04006	ELBOW (PF1/4-PF3/8)	7
D5-1	ZD12P01400	O-RING	1
D6	ZH32X06000	ELBOW, 90 (PF3/8)	3
D6-1	ZD12P01400	O-RING	1
D7	HH55Q06006G1	TEE (PF3/8)	5
D7-1	ZD12P01400	O-RING	1
D9	2444Z2336	TEE (PF1/4)	2
D9-1	ZD12P01100	O-RING	1
D10	YX52S00010P1	SENSOR, PRESS (PF1/4)	1
D10-1	ZD12P01100	O-RING	1
D11	YN06H01017P1	CONNECTOR (PF3/8)	1
D11-1	ZD12P01400	O-RING	1
D12	2420R349D085	HOSE (PF3/8)(L=850mm)	2
D13	ZH22X04000	CONNECTOR (PF1/4)	2
D13-1	ZD12P01100	O-RING	1
D14	YN21V00005F2	VALVE, CHECK (PF3/8)	2
D14-1	ZD12P01400	O-RING	1
D16	2420R349D090	HOSE (PF1/4)(L=900mm)	2
D17	2420R349D030	HOSE (PF1/4)(L=300mm)	1
D18	2420R349D040	HOSE (PF1/4)(L=400mm)	1
D19	2420R349D065	HOSE (PF1/4)(L=650mm)	2
D20	2420R349D050	HOSE (PF1/4)(L=500mm)	1
D21	2420R349D042	HOSE (PF1/4)(L=420mm)	1
D22	HH55Q04004G1	TEE (PF1/4)	1
D22-1	ZD12P01100	O-RING	1
D25	YN06H01006P1	CONNECTOR (PF3/8)	1
D25-1	ZD12P01400	O-RING	1
D27	ZE72X06000	PLUG (PF3/8)	1
D27-1	ZD12P01400	O-RING	1
D28	YN21V00005F4	VALVE, CHECK (PF3/8)	1
D28-1	ZD12P01400	O-RING	1

REMOTE CONTROL LINES (BREAKER)

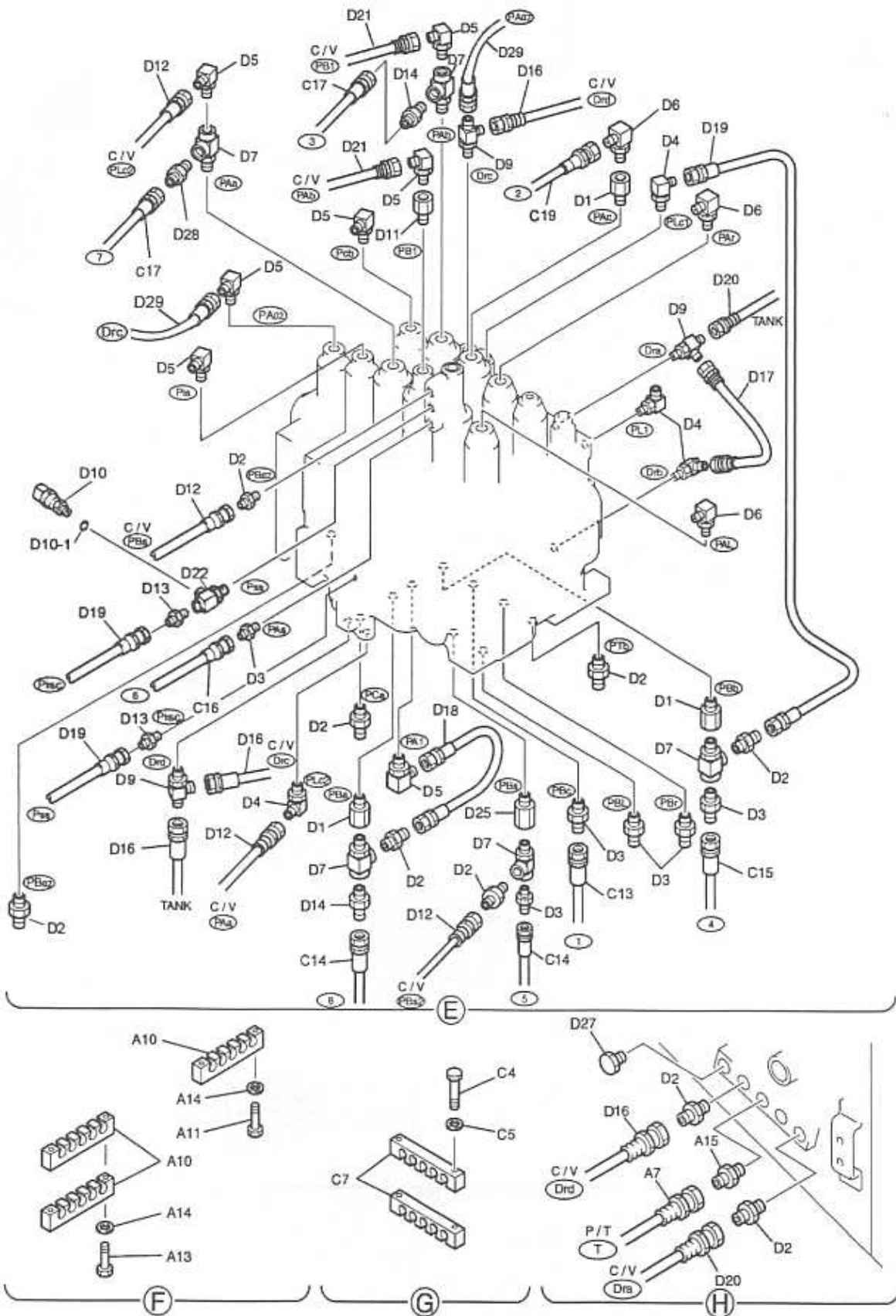


REMOTE CONTROL LINES (BREAKER)

YQ08U0969-



REMOTE CONTROL LINES (BREAKER)



REMOTE CONTROL LINES (BREAKER)

ITEM	PART NUMBER	DESCRIPTION	QTY
		CONTROL LINES, REMOTE (Breaker)	
	YN68H00102F1	CONTROL LINES, REMOTE	
A1	ZS28C06025	CAPSCREW (M6X25mm)	8
A2	ZW16X06000	WASHER (M6)	8
A3	YN30V00069F1	VALVE, PILOT	2
A4	PH03M01250P1	BOOT	2
A5	PY01P01043D6	CLIP	4
A6	2420R349D110	HOSE (PF1/4)(L=1100mm)	1
A7	2444R1119D230	HOSE (PF3/8)(L=2300mm)	1
A8	2444R1119D105	HOSE (PF3/8)(L=1050mm)	1
A9	2420R349D105	HOSE (PF1/4)(L=1050mm)	1
A10	YN68H01035P1	CLAMP	3
A11	ZS18C08040	CAPSCREW (M8X40mm)	2
A12	YR68H01016D3	HOSE (L=650mm)	2
A13	ZS18C08065	CAPSCREW (M8X65mm)	2
A14	ZW16X08000	WASHER (M8)	4
A15	ZH22X06000	CONNECTOR (PF3/8)	11
A15-1	ZD12P01400	O-RING	1
A16	HH25X04004G2	CONNECTOR w /Filter (PF1/4)	2
A16-1	ZD12P01100	O-RING	1
A17	2444R1119D115	HOSE (PF3/8)(L=1150mm)	1
A18	YN68H01001D1	HOSE (Red)(PF3/8)(L=2050mm)	1
A19	YN68H01001D3	HOSE (Green)(PF3/8)(L=2050mm)	1
A20	YN68H01001D2	HOSE (Blue)(PF3/8)(L=2050mm)	1
A21	YN68H01001D4	HOSE (Gray)(PF3/8)(L=2050mm)	1
A22	YW68H01010D1	HOSE (Red)(PF3/8)(L=2150mm)	1
A23	YW68H01010D3	HOSE (Green)(PF3/8)(L=2150mm)	1
A24	YW68H01010D2	HOSE (Blue)(PF3/8)(L=2150mm)	1
A25	YW68H01010D4	HOSE (Gray)(PF3/8)(L=2150mm)	1
	YN64H00158F1	CONTROL LINES, BLOCK	
C1	YN64H01075P1	BLOCK	1
C2	YX52S00010P1	SENSOR, PRESS	6
C2-1	ZS12P01100	O-RING	1
C3	ZH22X06000	CONNECTOR (PF3/8)	16
C3-1	ZD12P01400	O-RING	1
C4	ZS18C08065	CAPSCREW (M8X65mm)	2
C5	ZW16X08000	WASHER (M8)	2
C6	YN64H01068DD	RUBBER	1
C7	YN68H01035P1	CLAMP	2
C8	ZS18C08055	CAPSCREW (M8X55mm)	2
C9	ZW16H08000	WASHER (M8)	2
C10	YN64H01018P1	GROMMET	1
C11	PY01P01043D6	CLIP	4
C12	YN64H01017P1	RUBBER	1
C13	2420R537D130	HOSE (PF3/8)(L=1300mm)	1

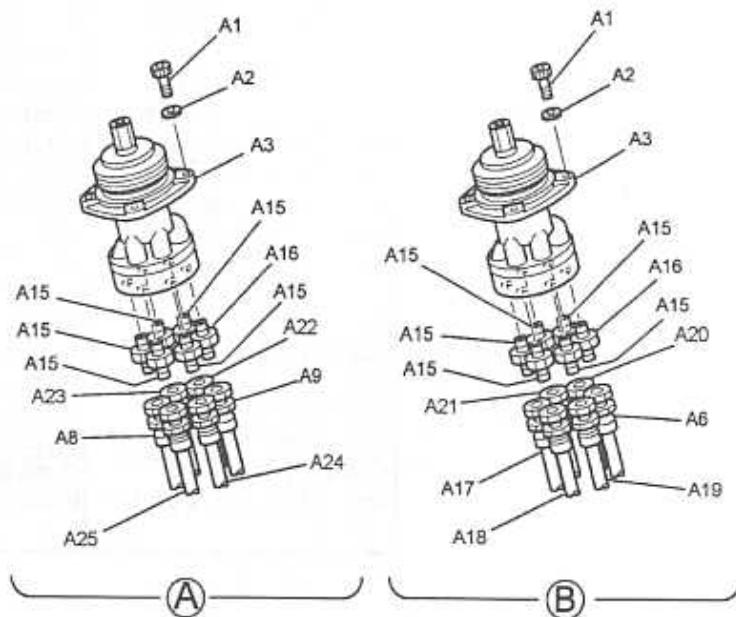
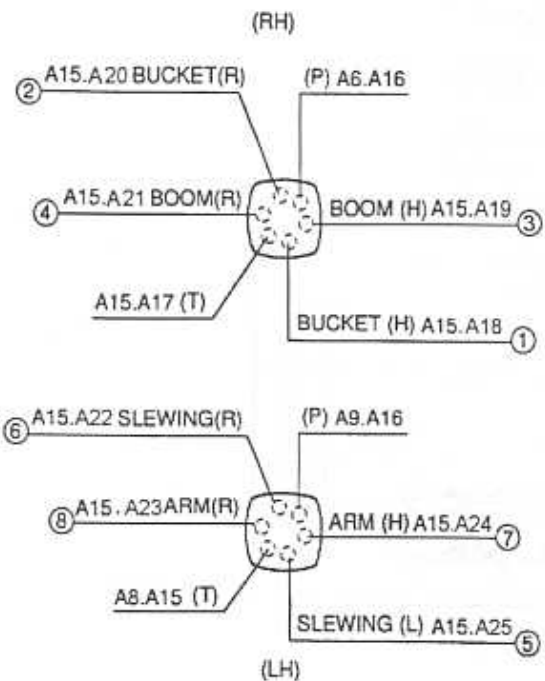
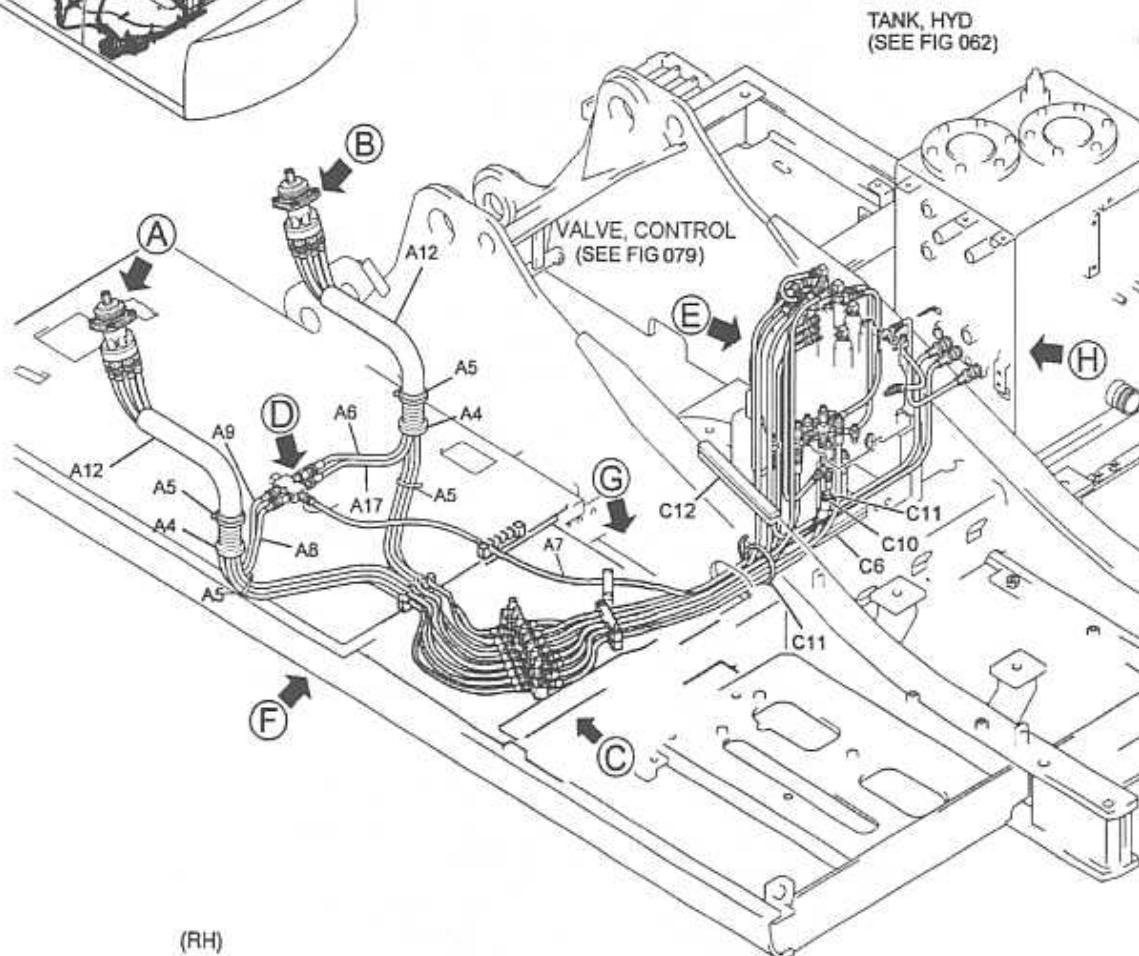
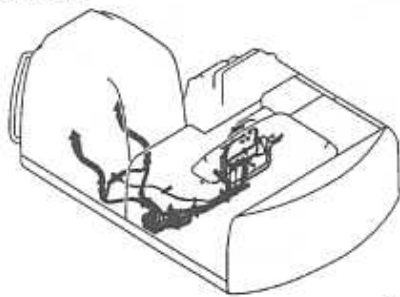
See CPM

REMOTE CONTROL LINES (BREAKER)

YQ08U0969~

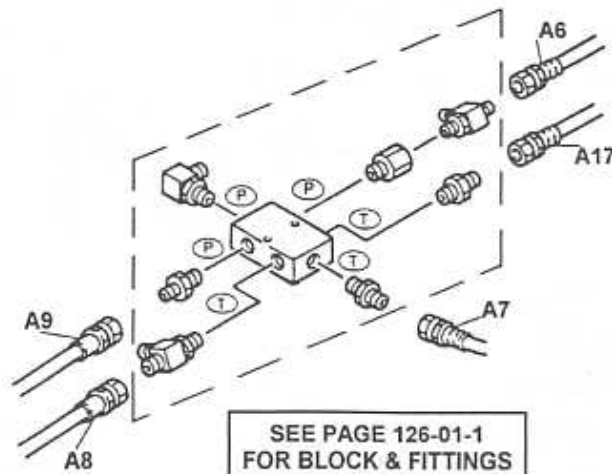
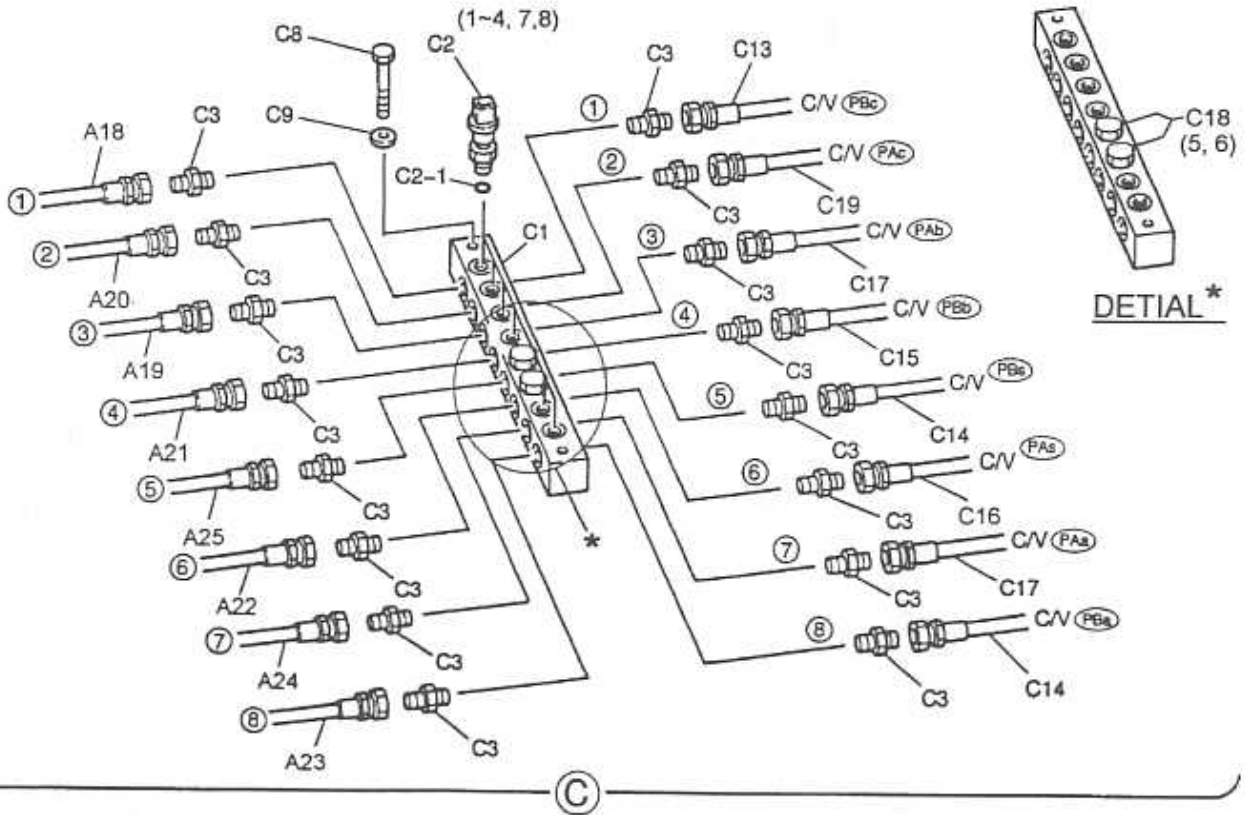
ITEM	PART NUMBER	DESCRIPTION	QTY
C14	2420R537D120	HOSE (PF3/8)(L=1200mm)	2
C15	2420R537D125	HOSE (PF3/8)(L=1250mm)	1
C16	2420R537D155	HOSE (PF3/8)(L=1550mm)	1
C17	2420R537D160	HOSE (PF3/8)(L=1600mm)	2
C18	ZE72X04000	PLUG (PF1/4)	2
C19	2420R537D165	HOSE (PF3/8)(L=1650mm)	1
	YN06H00067F2	CONTROL LINES, MAIN	
		(Breaker)	
D1	2444Z2891	CONNECTOR (PF3/8)(L=23mm)	3
D1-1	ZD12P01400	O-RING	1
D2	ZH22X04006	CONNECTOR (PF1/4-PF3/8)	9
D2-1	ZD12P01400	O-RING	1
D3	ZH22X06000	CONNECTOR (PF3/8)	6
D3-1	ZD12P01400	O-RING	1
D4	ZH32X04000	ELBOW, 90 (PF1/4)	4
D4-1	ZD12P01100	O-RING	1
D5	ZH32X04006	ELBOW (PF1/4-PF3/8)	7
D5-1	ZD12P01400	O-RING	1
D6	ZH32X06000	ELBOW, 90 (PF3/8)	3
D6-1	ZD12P01400	O-RING	1
D7	HH55Q06006G1	TEE (PF3/8)	5
D7-1	ZD12P01400	O-RING	1
D9	2444Z2336	TEE (PF1/4)	3
D9-1	ZD12P01100	O-RING	1
D10	YX52S00010P1	SENSOR, PRESS (PF1/4)	1
D10-1	ZD12P01100	O-RING	1
D11	YN06H01017P1	CONNECTOR (PF3/8)	1
D11-1	ZD12P01400	O-RING	1
D12	2420R349D085	HOSE (PF3/8)(L=850mm)	2
D13	ZH22X04000	CONNECTOR (PF1/4)	2
D13-1	ZD12P01100	O-RING	1
D14	YN21V00005F2	VALVE, CHECK (PF3/8)	2
D14-1	ZD12P01400	O-RING	1
D16	2420R349D090	HOSE (PF1/4)(L=900mm)	2
D17	2420R349D030	HOSE (PF1/4)(L=300mm)	1
D18	2420R349D040	HOSE (PF1/4)(L=400mm)	1
D19	2420R349D065	HOSE (PF1/4)(L=650mm)	2
D20	2420R349D050	HOSE (PF1/4)(L=500mm)	1
D21	2420R349D042	HOSE (PF1/4)(L=420mm)	1
D22	HH55Q04004G1	TEE (PF1/4)	1
D22-1	ZD12P01100	O-RING	1
D25	YN06H01006P1	CONNECTOR (PF3/8)	1
D25-1	ZD12P01400	O-RING	1
D27	ZE72X06000	PLUG (PF3/8)	1
D27-1	ZD12P01400	O-RING	1
D28	YN21V00005F4	VALVE, CHECK (PF3/8)	1
D28-1	ZD12P01400	O-RING	1
D29	2444R1120D035	HOSE (PF1/4)(L=350mm)	1

REMOTE CONTROL LINES (BOOM & ARM SAFETY)

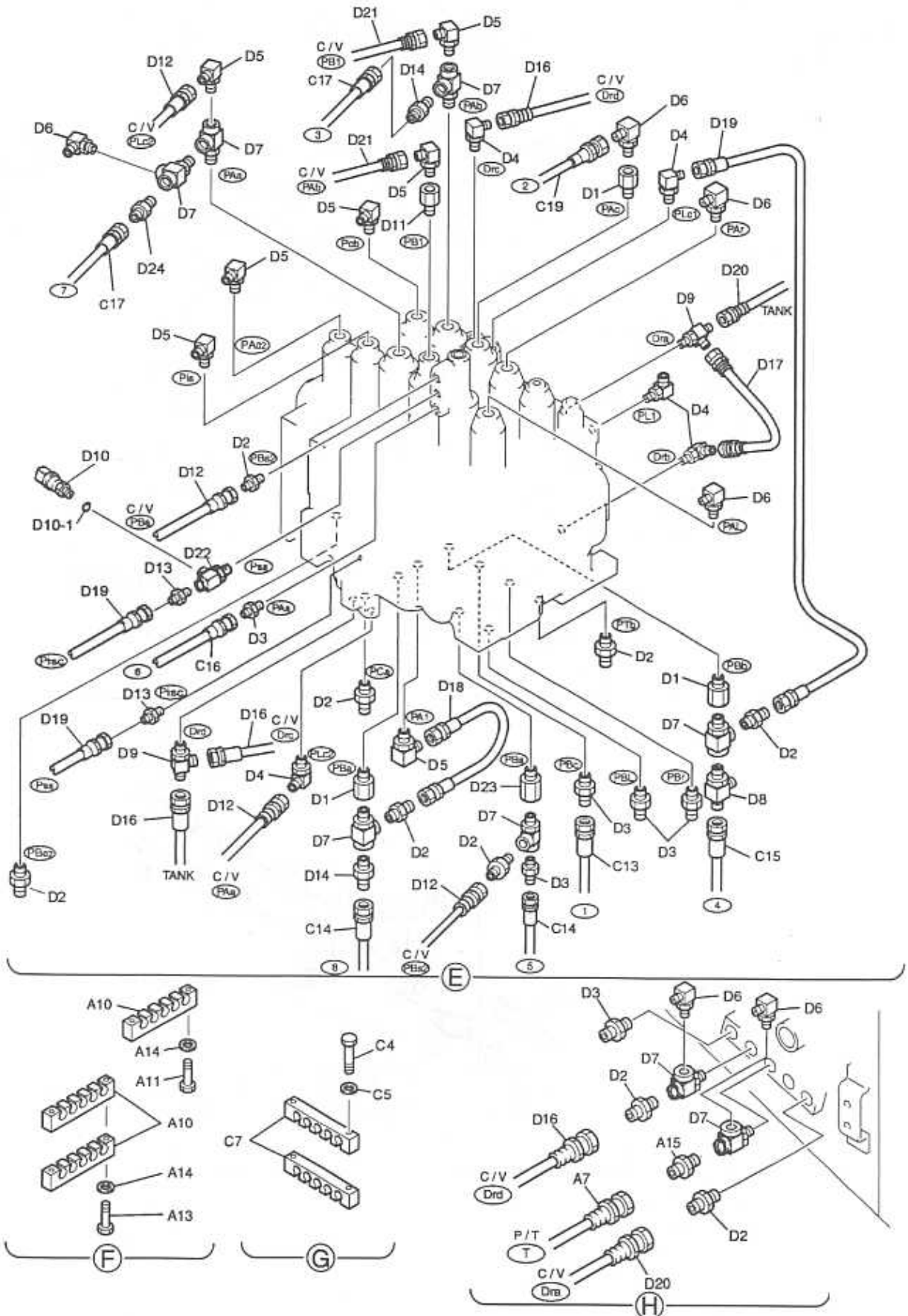


REMOTE CONTROL LINES (BOOM & ARM SAFETY)

YQ08U0969-



REMOTE CONTROL LINES (BOOM & ARM SAFETY)



REMOTE CONTROL LINES (BOOM & ARM SAFETY)

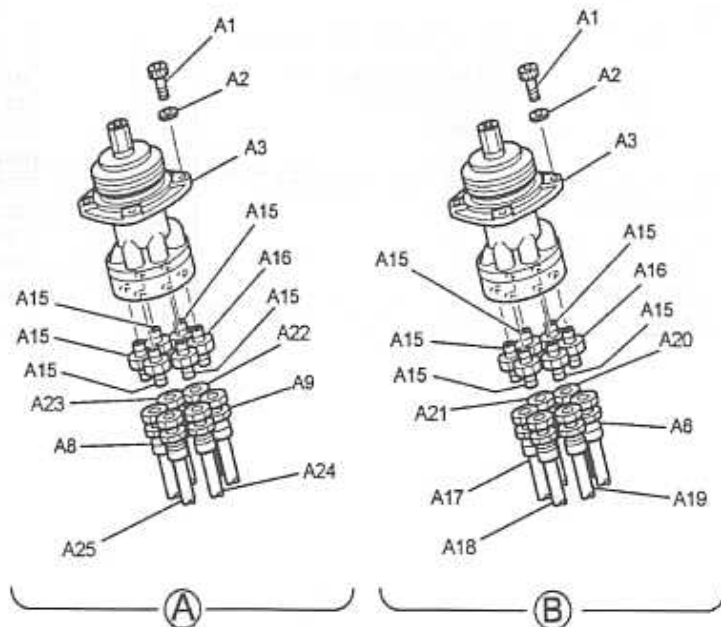
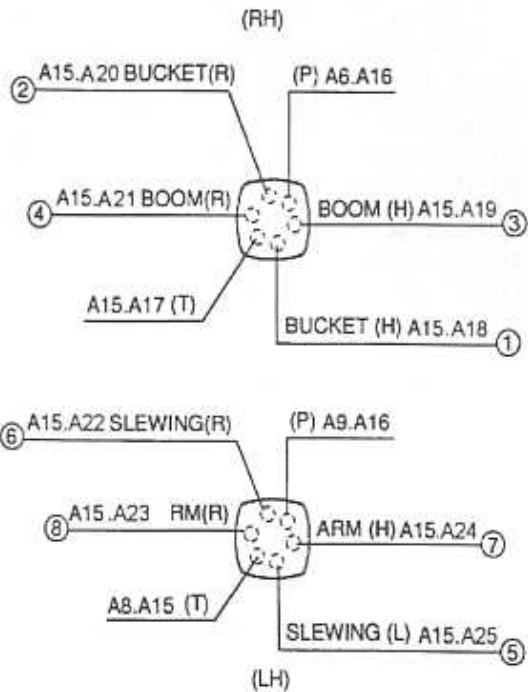
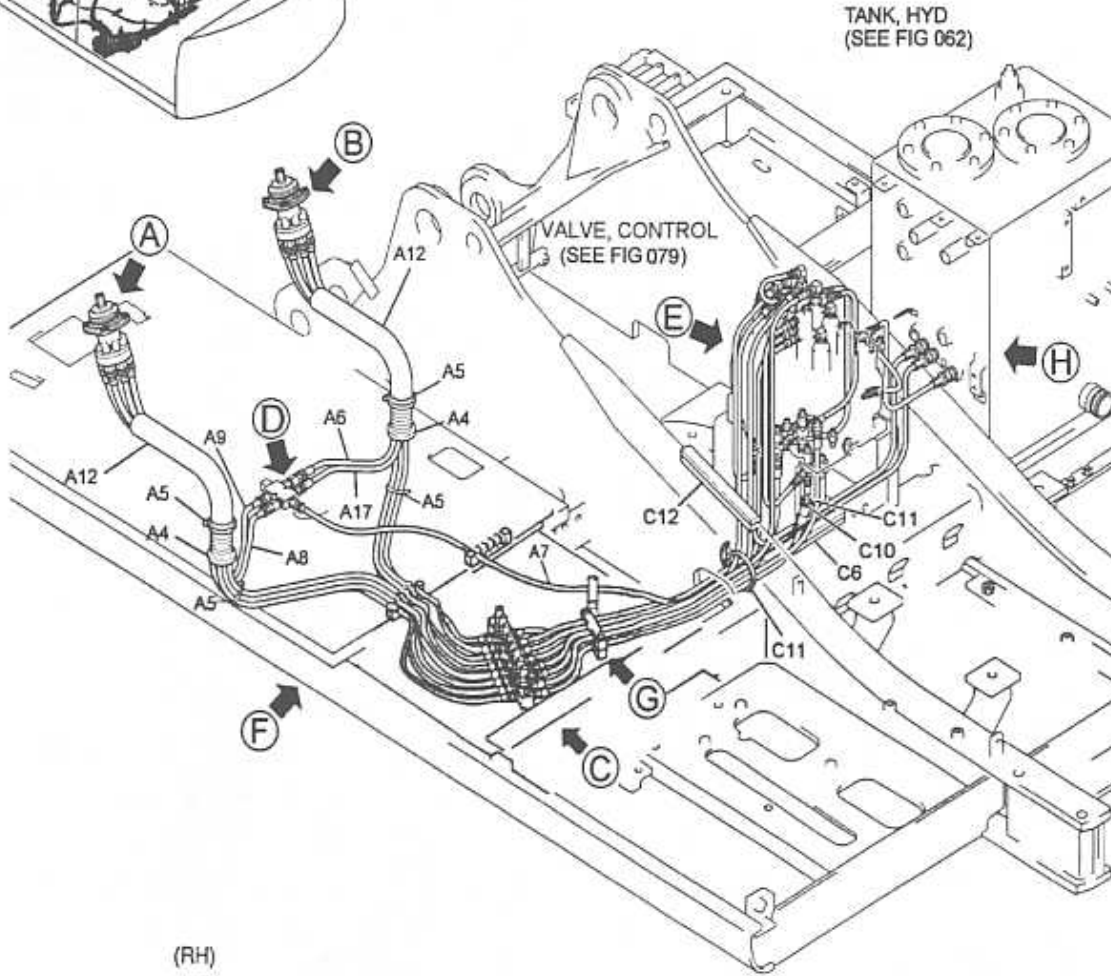
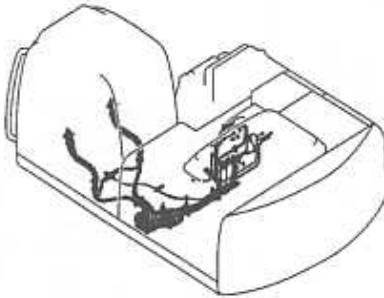
YQ08U0969~

ITEM	PART NUMBER	DESCRIPTION	QTY
		CONTROL LINES, REMOTE (Boom & Arm Safety)	
	YN68H00102F1	CONTROL LINES, REMOTE	
A1	ZS28C06025	CAPSCREW (M6X25mm)	8
A2	ZW16X06000	WASHER (M6)	8
A3	YN30V00069F1	VALVE, PILOT	2
A4	PH03M01250P1	BOOT	2
A5	PY01P01043D6	CLIP	4
A6	2420R349D110	HOSE (PF1/4)(L=1100mm)	1
A7	2444R1119D230	HOSE (PF3/8)(L=2300mm)	1
A8	2444R1119D105	HOSE (PF3/8)(L=1050mm)	1
A9	2420R349D105	HOSE (PF1/4)(L=1050mm)	1
A10	YN68H01035P1	CLAMP	3
A11	ZS18C08040	CAPSCREW (M8X40mm)	2
A12	YR68H01016D3	HOSE (L=650mm)	2
A13	ZS18C08065	CAPSCREW (M8X65mm)	2
A14	ZW16X08000	WASHER (M8)	4
A15	ZH22X06000	CONNECTOR (PF3/8)	11
A15-1	ZD12P01400	O-RING	1
A16	HH25X04004G2	CONNECTOR w/Filter (PF1/4)	2
A16-1	ZD12P01100	O-RING	1
A17	2444R1119D115	HOSE (PF3/8)(L=1150mm)	1
A18	YN68H01001D1	HOSE (Red)(PF3/8)(L=2050mm)	1
A19	YN68H01001D3	HOSE (Green)(PF3/8)(L=2050mm)	1
A20	YN68H01001D2	HOSE (Blue)(PF3/8)(L=2050mm)	1
A21	YN68H01001D4	HOSE (Gray)(PF3/8)(L=2050mm)	1
A22	YW68H01010D1	HOSE (Red)(PF3/8)(L=2150mm)	1
A23	YW68H01010D3	HOSE (Green)(PF3/8)(L=2150mm)	1
A24	YW68H01010D2	HOSE (Blue)(PF3/8)(L=2150mm)	1
A25	YW68H01010D4	HOSE (Gray)(PF3/8)(L=2150mm)	1
	YN64H00158F1	CONTROL LINES, BLOCK	
C1	YN64H01075P1	BLOCK	1
C2	YX52S00010P1	SENSOR, PRESS	6
C2-1	ZS12P01100	O-RING	1
C3	ZH22X06000	CONNECTOR (PF3/8)	16
C3-1	ZD12P01400	O-RING	1
C4	ZS18C08065	CAPSCREW (M8X65mm)	2
C5	ZW16X08000	WASHER (M8)	2
C6	YN64H01068DD	RUBBER	1
C7	YN68H01035P1	CLAMP	2
C8	ZS18C08055	CAPSCREW (M8X55mm)	2
C9	ZW16H08000	WASHER (M8)	2
C10	YN64H01018P1	GROMMET	1
C11	PY01P01043D6	CLIP	4
C12	YN64H01017P1	RUBBER	1
C13	2420R537D130	HOSE (PF3/8)(L=1300mm)	1

See CFM

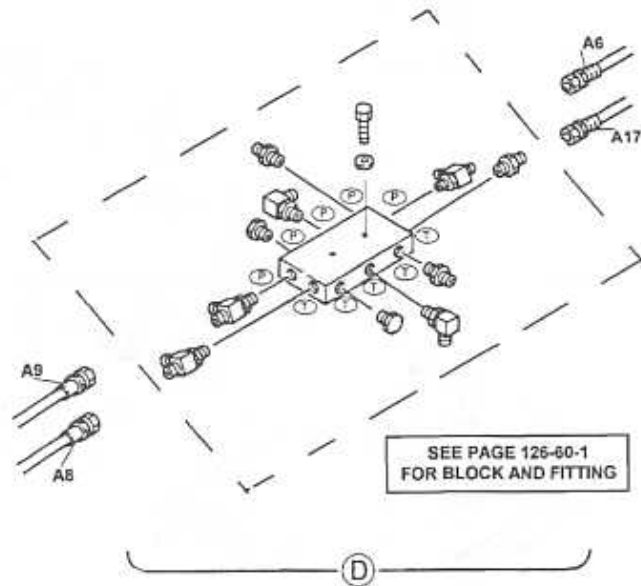
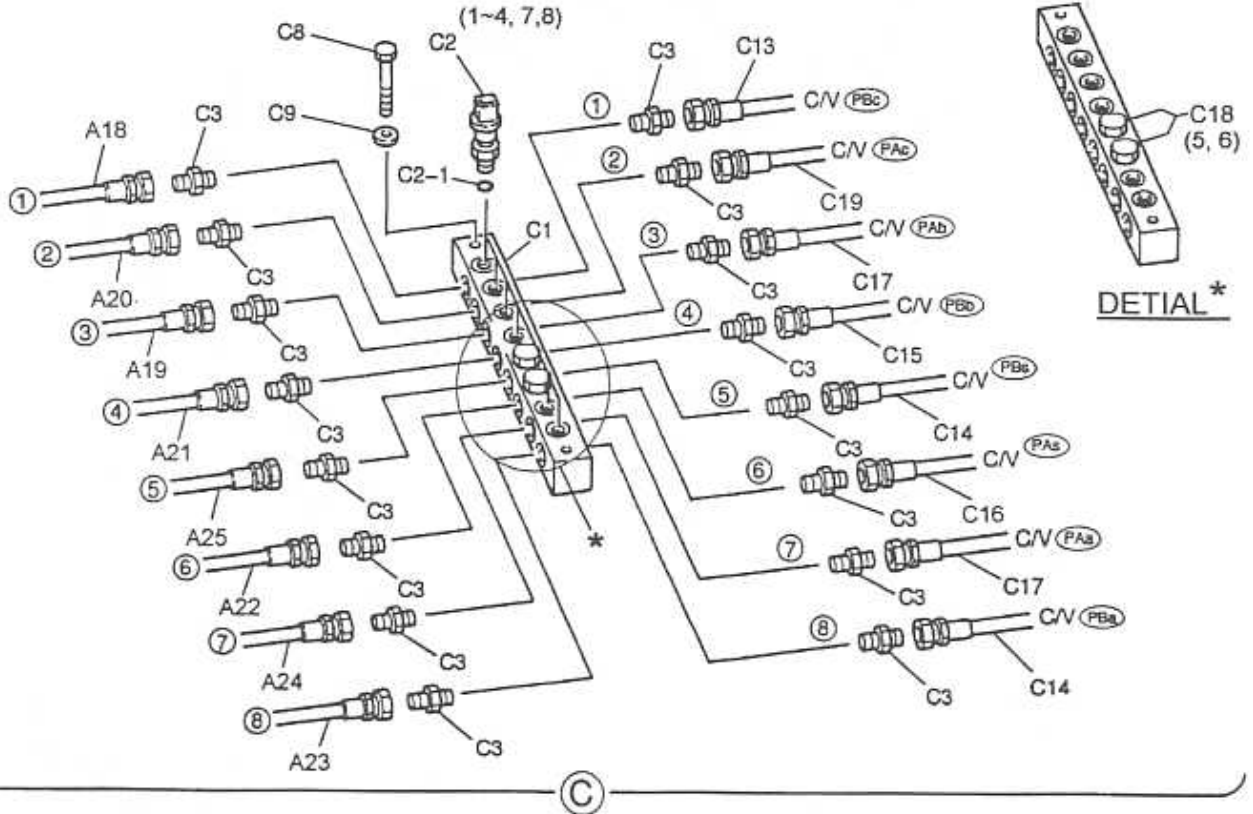
ITEM	PART NUMBER	DESCRIPTION	QTY
C14	2420R537D120	HOSE (PF3/8)(L=1200mm)	2
C15	2420R537D125	HOSE (PF3/8)(L=1250mm)	1
C16	2420R537D155	HOSE (PF3/8)(L=1550mm)	1
C17	2420R537D160	HOSE (PF3/8)(L=1600mm)	2
C18	ZET2X04000	PLUG (PF1/4)	2
C19	2420R537D165	HOSE (PF3/8)(L=1650mm)	1
	YN06H00071F1	CONTROL LINES, MAIN (Boom & Arm Safety)	
D1	2444Z2891	CONNECTOR (PF3/8)(L=23mm)	3
D1-1	ZD12P01400	O-RING	1
D2	ZH22X04006	CONNECTOR (PF1/4-PF3/8)	8
D2-1	ZD12P01400	O-RING	1
D3	ZH22X06000	CONNECTOR (PF3/8)	6
D3-1	ZD12P01400	O-RING	1
D4	ZH32X04000	ELBOW, 90 (PF1/4)	5
D4-1	ZD12P01100	O-RING	1
D5	ZH32X04006	ELBOW (PF1/4-PF3/8)	6
D5-1	ZD12P01400	O-RING	1
D6	ZH32X06000	ELBOW, 90 (PF3/8)	6
D6-1	ZD12P01400	O-RING	1
D7	HH55Q06006G1	TEE (PF3/8)	8
D7-1	ZD12P01400	O-RING	1
D8	2444Z2359	TEE (PF3/8)	1
D8-1	ZD12P01400	O-RING	1
D9	2444Z2336	TEE (PF1/4)	2
D9-1	ZD12P01100	O-RING	1
D10	YX52S00010P1	SENSOR, PRESS (PF1/4)	1
D10-1	ZD12P01100	O-RING	1
D11	YN06H01017P1	CONNECTOR (PF3/8)	1
D11-1	ZD12P01400	O-RING	1
D12	2420R349D085	HOSE (PF3/8)(L=850mm)	2
D13	ZH22X04000	CONNECTOR (PF1/4)	2
D13-1	ZD12P01100	O-RING	1
D14	YN21V00005F2	VALVE, CHECK (PF3/8)	2
D14-1	ZD12P01400	O-RING	1
D16	2420R349D090	HOSE (PF1/4)(L=900mm)	2
D17	2420R349D030	HOSE (PF1/4)(L=300mm)	1
D18	2420R349D040	HOSE (PF1/4)(L=400mm)	1
D19	2420R349D065	HOSE (PF1/4)(L=650mm)	2
D20	2420R349D050	HOSE (PF1/4)(L=500mm)	1
D21	2420R349D042	HOSE (PF1/4)(L=420mm)	1
D22	HH55Q04004G1	TEE (PF1/4)	1
D22-1	ZD12P01100	O-RING	1
D23	YN06H01006P1	CONNECTOR (PF3/8)	1
D23-1	ZD12P01400	O-RING	1
D24	YN21V00005F4	VALVE, CHECK (PF3/8)	1
D24-1	ZD12P01400	O-RING	1

REMOTE CONTROL LINES (BOOM & ARM SAFETY-N&B)

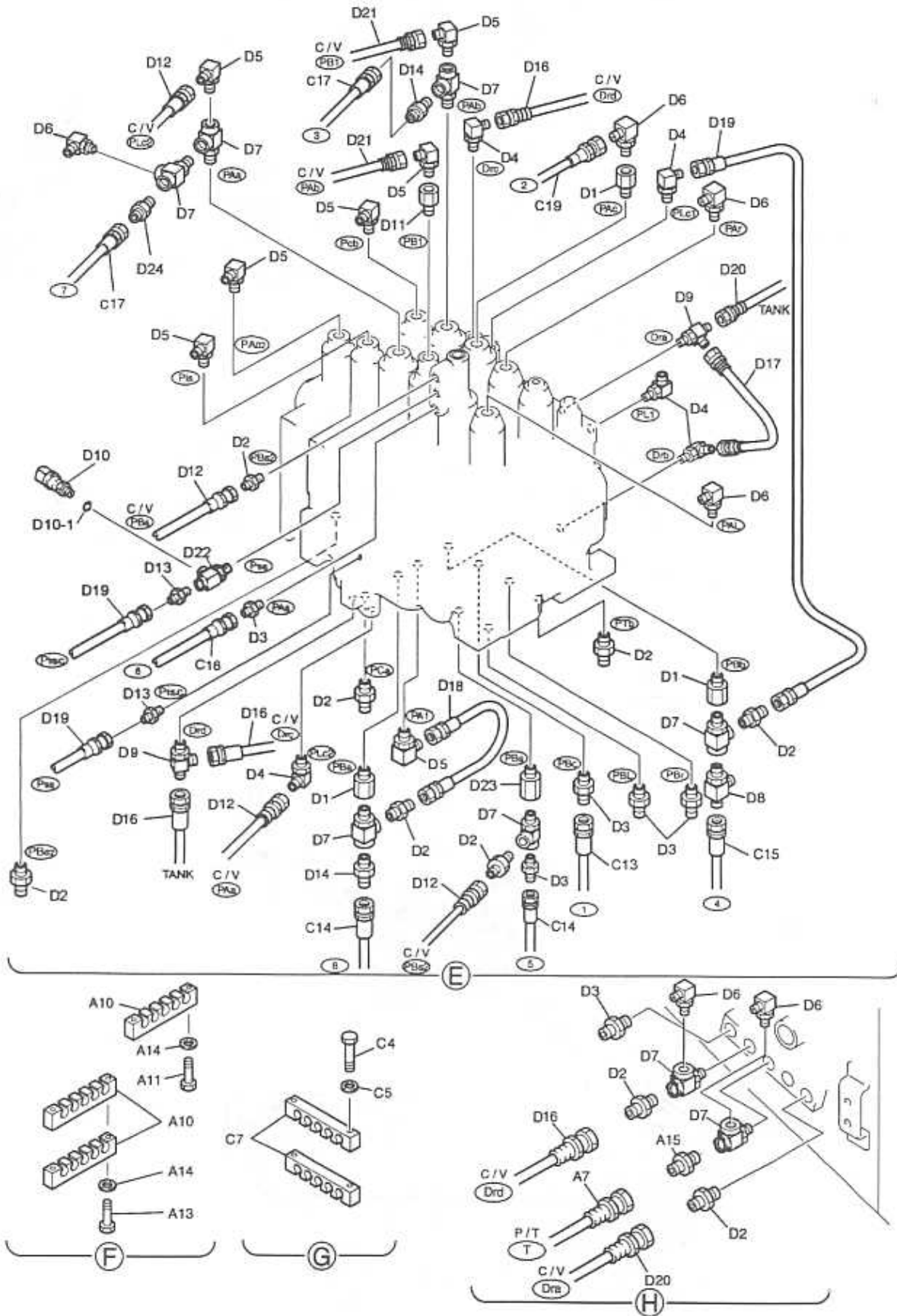


REMOTE CONTROL LINES (BOOM & ARM SAFETY-N&B)

YQ08U0969-



REMOTE CONTROL LINES (BOOM & ARM SAFETY-N&B)



REMOTE CONTROL LINES (BOOM & ARM SAFETY-N&B)

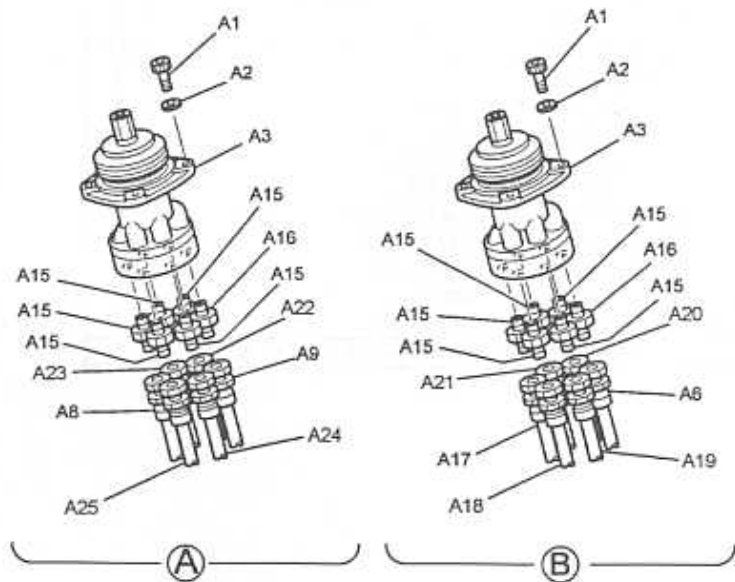
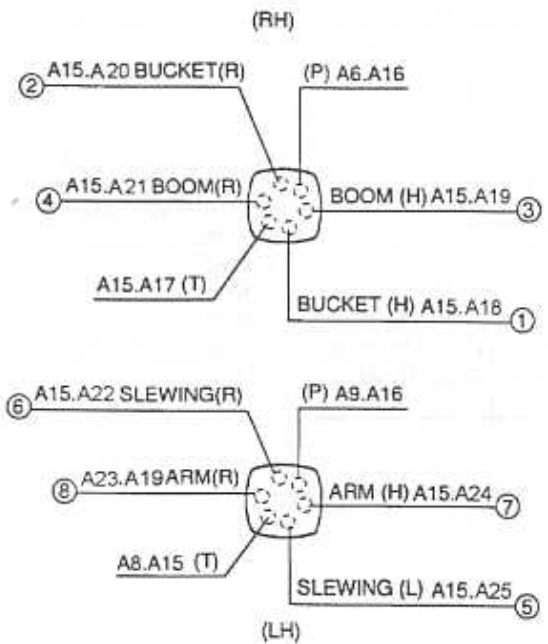
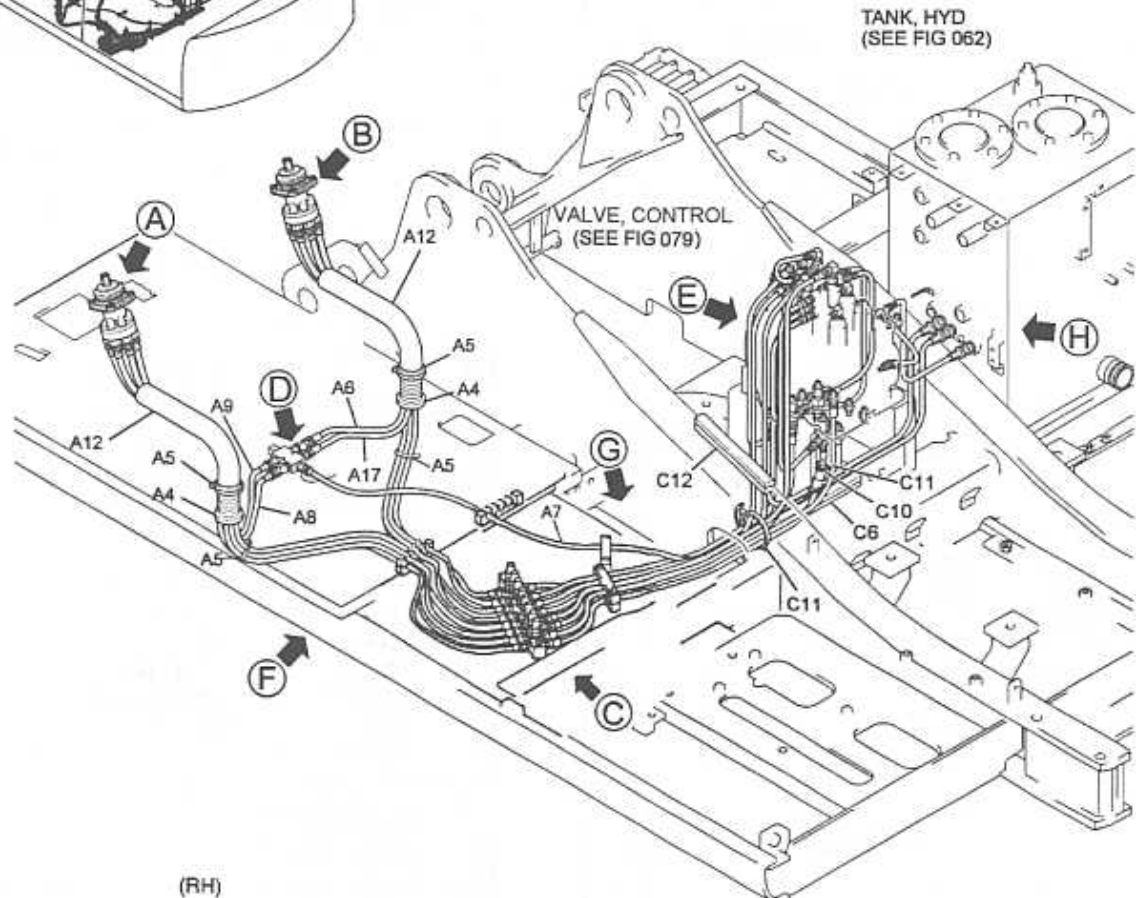
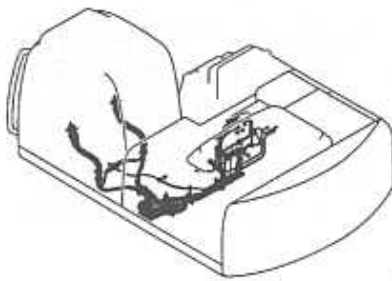
YQ08U0969-

ITEM	PART NUMBER	DESCRIPTION	QTY
		CONTROL LINES, REMOTE (Boom & Arm Safety-N&B)	
	YN68H00102F1	CONTROL LINES, REMOTE	
A1	ZS28C06025	CAPSCREW (M6X25mm)	8
A2	ZW16X06000	WASHER (M6)	8
A3	YN30V00069F1	VALVE, PILOT	2
A4	PH03M01250P1	BOOT	2
A5	PY01P01043D6	CLIP	4
A6	2420R349D110	HOSE (FF1/4)(L=1100mm)	1
A7	2444R1119D230	HOSE (FF3/8)(L=2300mm)	1
A8	2444R1119D105	HOSE (FF3/8)(L=1050mm)	1
A9	2420R349D105	HOSE (FF1/4)(L=1050mm)	1
A10	YN68H01035P1	CLAMP	3
A11	ZS18C08040	CAPSCREW (M8X40mm)	2
A12	YR68H01016D3	HOSE (L=650mm)	2
A13	ZS18C08065	CAPSCREW (M8X65mm)	2
A14	ZW16X08000	WASHER (M8)	4
A15	ZH22X06000	CONNECTOR (FF3/8)	11
A15-1	ZD12P01400	O-RING	1
A16	HH25X04004G2	CONNECTOR w /Filter (FF1/4)	2
A16-1	ZD12P01100	O-RING	1
A17	2444R1119D115	HOSE (FF3/8)(L=1150mm)	1
A18	YN68H01001D1	HOSE (Red)(FF3/8)(L=2050mm)	1
A19	YN68H01001D3	HOSE (Green)(FF3/8)(L=2050mm)	1
A20	YN68H01001D2	HOSE (Blue)(FF3/8)(L=2050mm)	1
A21	YN68H01001D4	HOSE (Gray)(FF3/8)(L=2050mm)	1
A22	YW68H01010D1	HOSE (Red)(FF3/8)(L=2150mm)	1
A23	YW68H01010D3	HOSE (Green)(FF3/8)(L=2150mm)	1
A24	YW68H01010D2	HOSE (Blue)(FF3/8)(L=2150mm)	1
A25	YW68H01010D4	HOSE (Gray)(FF3/8)(L=2150mm)	1
	YN64H00158F1	CONTROL LINES, BLOCK	
C1	YN64H01075P1	BLOCK	1
C2	YX52S00010P1	SENSOR, PRESS	6
C2-1	ZS12P01100	O-RING	1
C3	ZH22X06000	CONNECTOR (FF3/8)	16
C3-1	ZD12P01400	O-RING	1
C4	ZS18C08065	CAPSCREW (M8X65mm)	2
C5	ZW16X08000	WASHER (M8)	2
C6	YN64H01068DD	RUBBER	2
C7	YN68H01035P1	CLAMP	1
C8	ZS18C08055	CAPSCREW (M8X55mm)	2
C9	ZW16H08000	WASHER (M8)	2
C10	YN64H01018P1	GROMMET	1
C11	PY01P01043D6	CLIP	4
C12	YN64H01017P1	RUBBER	1
C13	2420R537D130	HOSE (FF3/8)(L=1300mm)	1

See CPM

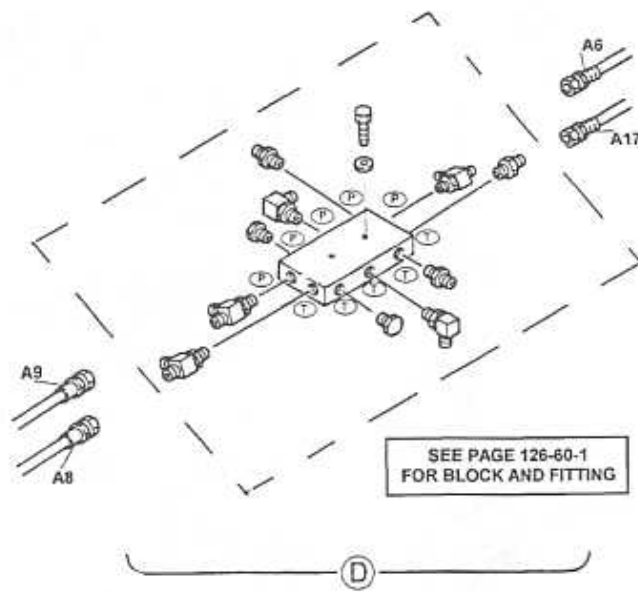
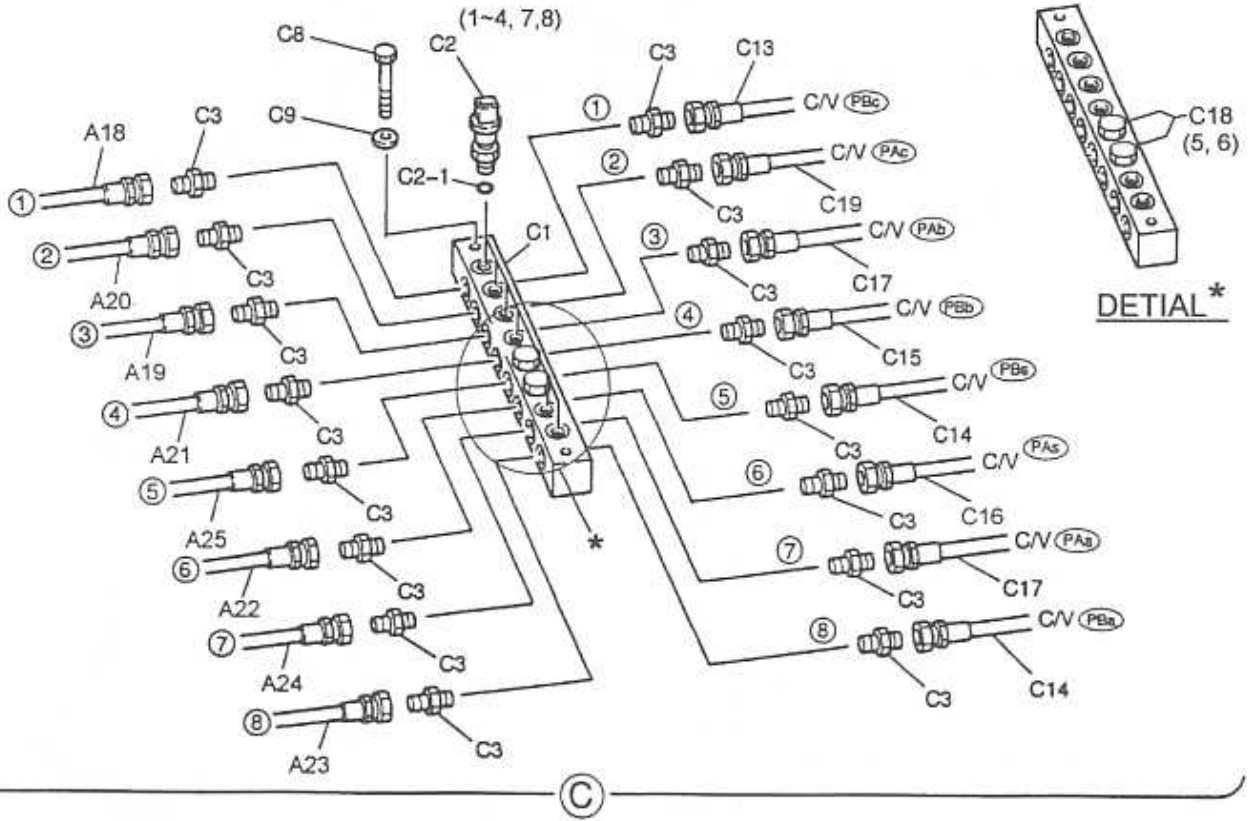
ITEM	PART NUMBER	DESCRIPTION	QTY
C14	2420R537D120	HOSE (FF3/8)(L=1200mm)	2
C15	2420R537D125	HOSE (FF3/8)(L=1250mm)	1
C16	2420R537D155	HOSE (FF3/8)(L=1550mm)	1
C17	2420R537D160	HOSE (FF3/8)(L=1600mm)	2
C18	ZE72X04000	PLUG (FF1/4)	2
C19	2420R537D165	HOSE (FF3/8)(L=1650mm)	1
	YN06H00071F2	CONTROL LINES, MAIN (Boom & Arm Safety-N&B)	
D1	2444Z2891	CONNECTOR (FF3/8)(L=23mm)	3
D1-1	ZD12P01400	O-RING	1
D2	ZH22X04006	CONNECTOR (FF1/4-FF3/8)	9
D2-1	ZD12P01400	O-RING	1
D3	ZH22X06000	CONNECTOR (FF3/8)	6
D3-1	ZD12P01400	O-RING	1
D4	ZH32X04000	ELBOW, 90 (FF1/4)	5
D4-1	ZD12P01100	O-RING	1
D5	ZH32X04006	ELBOW (FF1/4-FF3/8)	7
D5-1	ZD12P01400	O-RING	1
D6	ZH32X06000	ELBOW, 90 (FF3/8)	6
D6-1	ZD12P01400	O-RING	1
D7	HH55Q06006G1	TEE (FF3/8)	8
D7-1	ZD12P01400	O-RING	1
D8	2444Z2359	TEE (FF3/8)	1
D8-1	ZD12P01400	O-RING	1
D9	2444Z2336	TEE (FF1/4)	2
D9-1	ZD12P01100	O-RING	1
D10	YX52S00010P1	SENSOR, PRESS (FF1/4)	1
D10-1	ZD12P01100	O-RING	1
D11	YN06H01017P1	CONNECTOR (FF3/8)	1
D11-1	ZD12P01400	O-RING	1
D12	2420R349D085	HOSE (FF3/8)(L=850mm)	2
D13	ZH22X04000	CONNECTOR (FF1/4)	2
D13-1	ZD12P01100	O-RING	1
D14	YN21V00005F2	VALVE, CHECK (FF3/8)	2
D14-1	ZD12P01400	O-RING	1
D16	2420R349D090	HOSE (FF1/4)(L=900mm)	2
D17	2420R349D030	HOSE (FF1/4)(L=300mm)	1
D18	2420R349D040	HOSE (FF1/4)(L=400mm)	1
D19	2420R349D065	HOSE (FF1/4)(L=650mm)	2
D20	2420R349D050	HOSE (FF1/4)(L=500mm)	1
D21	2420R349D042	HOSE (FF1/4)(L=420mm)	1
D22	HH55Q04004G1	TEE (FF1/4)	1
D22-1	ZD12P01100	O-RING	1
D23	YN06H01006P1	CONNECTOR (FF3/8)	1
D23-1	ZD12P01400	O-RING	1
D24	YN21V00005F4	VALVE, CHECK (FF3/8)	1
D24-1	ZD12P01400	O-RING	1

REMOTE CONTROL LINES (BOOM & ARM SAFETY-BREAKER)

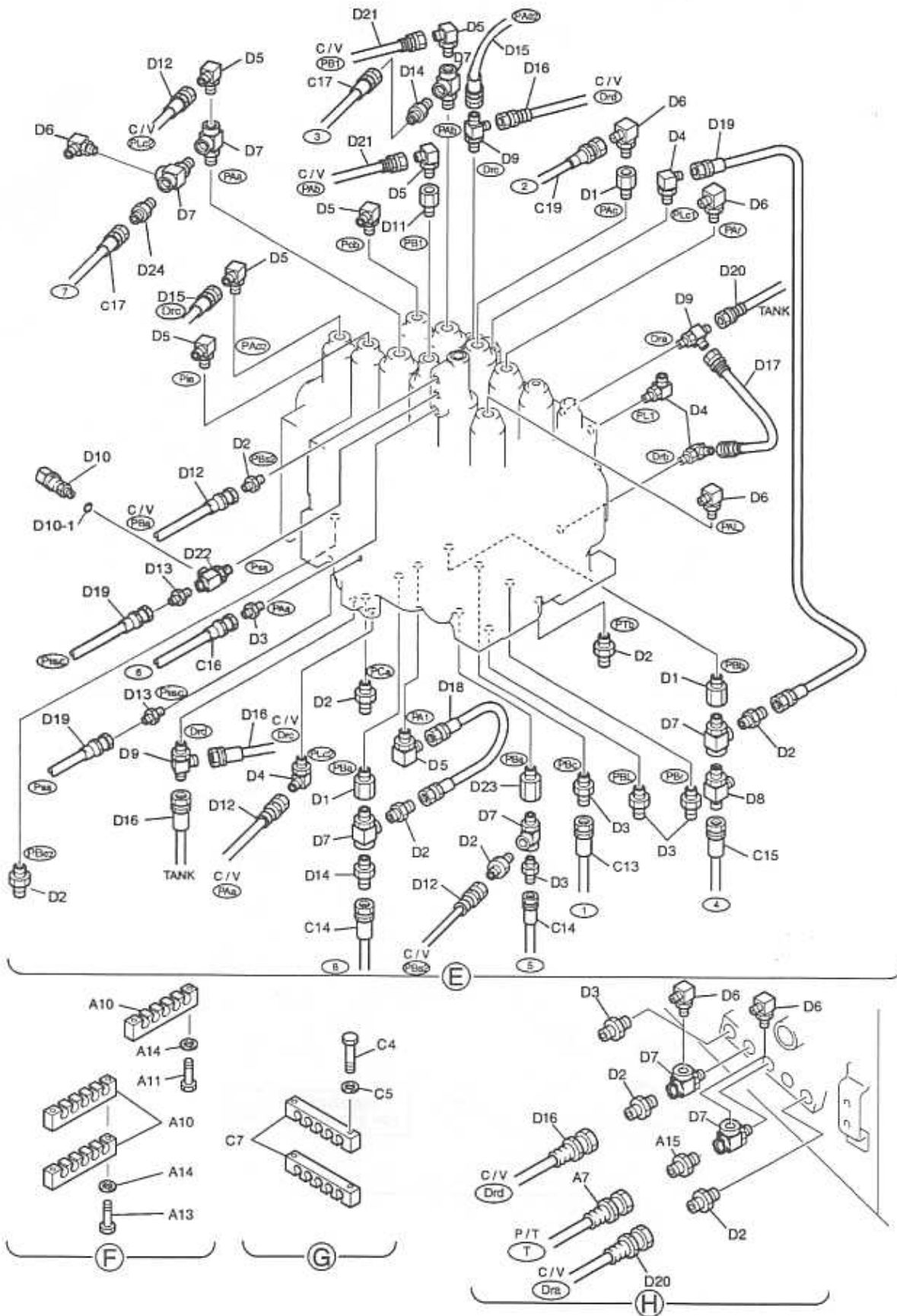


REMOTE CONTROL LINES (BOOM & ARM SAFETY-BREAKER)

YQ08U0969~



REMOTE CONTROL LINES (BOOM & ARM SAFETY-BREAKER)



REMOTE CONTROL LINES (BOOM & ARM SAFETY-BREAKER)

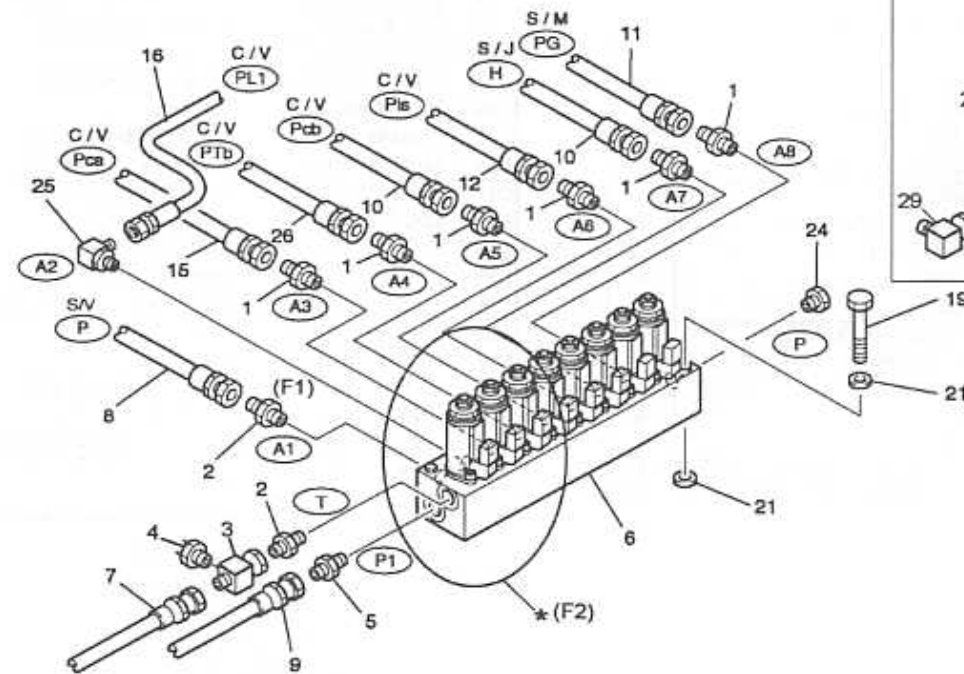
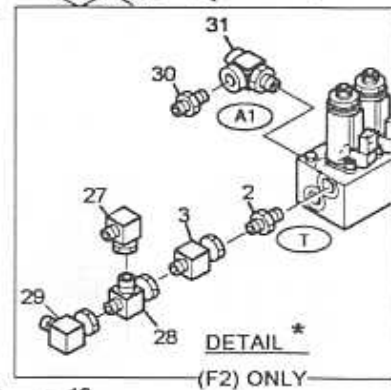
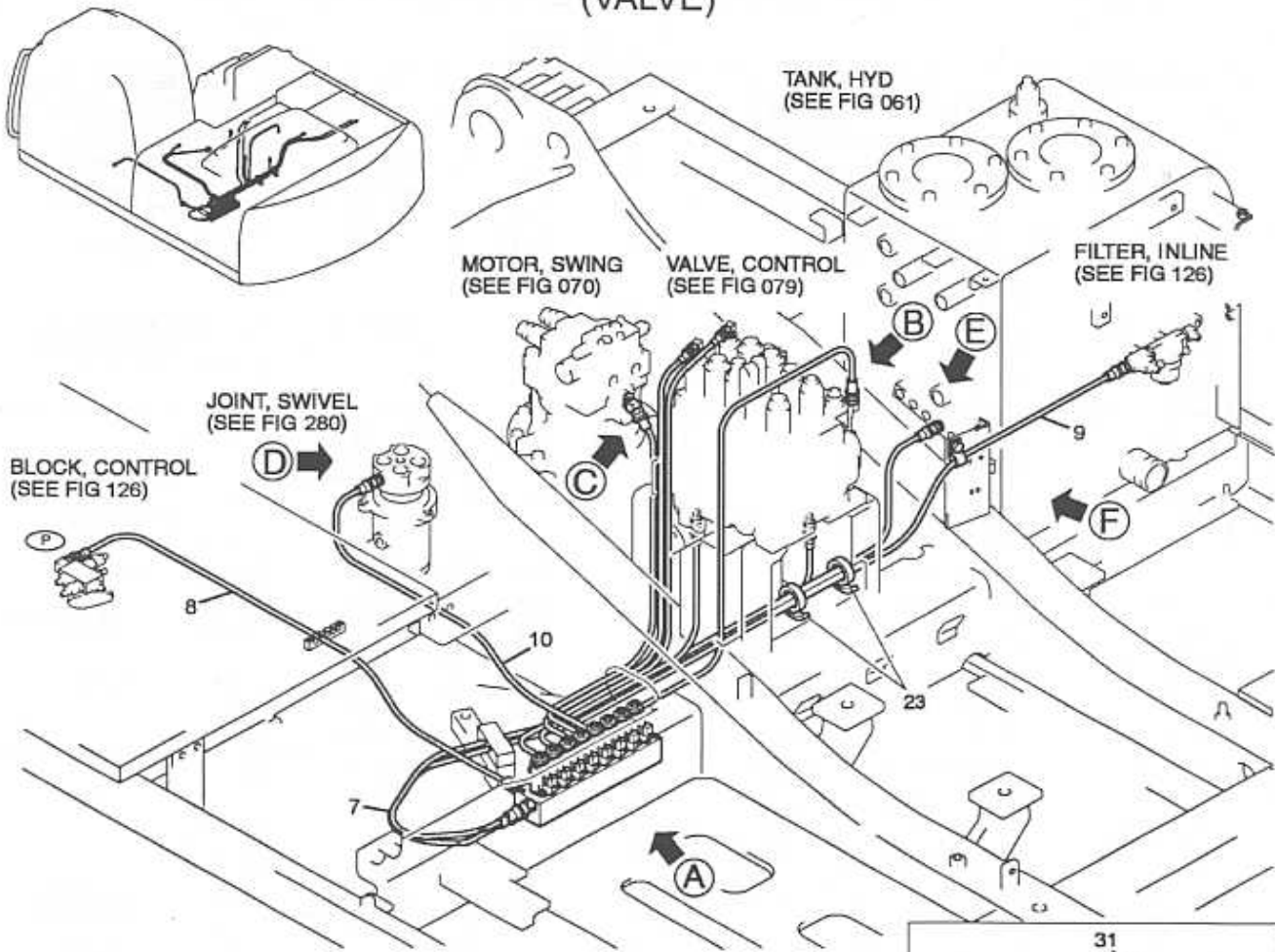
YQ08U0969-

ITEM	PART NUMBER	DESCRIPTION	QTY
		CONTROL LINES, REMOTE (Boom & Arm Safety-N&B)	
	YN68H00102F1	CONTROL LINES, REMOTE	
A1	ZS28C06025	CAPSCREW (M6X25mm)	8
A2	ZW16X06000	WASHER (M6)	8
A3	YN30V00069F1	VALVE, PILOT	2
A4	PH03M01250P1	BOOT	2
A5	PY01P01043D6	CLIP	4
A6	2420R349D110	HOSE (FF1/4)(L=1100mm)	1
A7	2444R1119D230	HOSE (FF3/8)(L=2300mm)	1
A8	2444R1119D105	HOSE (FF3/8)(L=1050mm)	1
A9	2420R349D105	HOSE (FF1/4)(L=1050mm)	1
A10	YN68H01035P1	CLAMP	3
A11	ZS18C08040	CAPSCREW (M8X40mm)	2
A12	YR68H01016D3	HOSE (L=650mm)	2
A13	ZS18C08065	CAPSCREW (M8X65mm)	2
A14	ZW16X08000	WASHER (M8)	4
A15	ZH22X06000	CONNECTOR (FF3/8)	11
A15-1	ZD12P01400	O-RING	1
A16	HH25X04004G2	CONNECTOR w /Filter (FF1/4)	2
A16-1	ZD12P01100	O-RING	1
A17	2444R1119D115	HOSE (FF3/8)(L=1150mm)	1
A18	YN68H01001D1	HOSE (Red)(FF3/8)(L=2050mm)	1
A19	YN68H01001D3	HOSE (Green)(FF3/8)(L=2050mm)	1
A20	YN68H01001D2	HOSE (Blue)(FF3/8)(L=2050mm)	1
A21	YN68H01001D4	HOSE (Gray)(FF3/8)(L=2050mm)	1
A22	YW68H01010D1	HOSE (Red)(FF3/8)(L=2150mm)	1
A23	YW68H01010D3	HOSE (Green)(FF3/8)(L=2150mm)	1
A24	YW68H01010D2	HOSE (Blue)(FF3/8)(L=2150mm)	1
A25	YW68H01010D4	HOSE (Gray)(FF3/8)(L=2150mm)	1
	YN64H00158F1	CONTROL LINES, BLOCK	
C1	YN64H01075P1	BLOCK	1
C2	YX52S00010P1	SENSOR, PRESS	6
C2-1	ZS12P01100	O-RING	1
C3	ZH22X06000	CONNECTOR (FF3/8)	16
C3-1	ZD12P01400	O-RING	1
C4	ZS18C08065	CAPSCREW (M8X65mm)	2
C5	ZW16X08000	WASHER (M8)	2
C6	YN64H01068DD	RUBBER	1
C7	YN68H01035P1	CLAMP	2
C8	ZS18C08055	CAPSCREW (M8X55mm)	2
C9	ZW16H08000	WASHER (M8)	2
C10	YN64H01018P1	GROMMET	1
C11	PY01P01043D6	CLIP	4
C12	YN64H01017P1	RUBBER	1
C13	2420R537D130	HOSE (FF3/8)(L=1300mm)	1

See CPM

ITEM	PART NUMBER	DESCRIPTION	QTY
C14	2420R537D120	HOSE (FF3/8)(L=1200mm)	2
C15	2420R537D125	HOSE (FF3/8)(L=1250mm)	1
C16	2420R537D155	HOSE (FF3/8)(L=1550mm)	1
C17	2420R537D160	HOSE (FF3/8)(L=1600mm)	2
C18	ZE72X04000	PLUG (FF1/4)	2
C19	2420R537D165	HOSE (FF3/8)(L=1650mm)	1
	YN06H00071F3	CONTROL LINES, MAIN (Boom & Arm Safety-N&B)	
D1	2444Z2891	CONNECTOR (FF3/8)(L=23mm)	3
D1-1	ZD12P01400	O-RING	1
D2	ZH22X04006	CONNECTOR (FF1/4-FF3/8)	9
D2-1	ZD12P01400	O-RING	1
D3	ZH22X06000	CONNECTOR (FF3/8)	6
D3-1	ZD12P01400	O-RING	1
D4	ZH32X04000	EL.BOW, 90 (FF1/4)	4
D4-1	ZD12P01100	O-RING	1
D5	ZH32X04006	EL.BOW (FF1/4-FF3/8)	7
D5-1	ZD12P01400	O-RING	1
D6	ZH32X06000	EL.BOW, 90 (FF3/8)	6
D6-1	ZD12P01400	O-RING	1
D7	HH55Q06006G1	TEE (FF3/8)	8
D7-1	ZD12P01400	O-RING	1
D8	2444Z2359	TEE (FF3/8)	1
D8-1	ZD12P01400	O-RING	1
D9	2444Z2336	TEE (FF1/4)	3
D9-1	ZD12P01100	O-RING	1
D10	YX52S00010P1	SENSOR, PRESS (FF1/4)	1
D10-1	ZD12P01100	O-RING	1
D11	YN06H01017P1	CONNECTOR (FF3/8)	1
D11-1	ZD12P01400	O-RING	1
D12	2420R349D085	HOSE (FF3/8)(L=850mm)	2
D13	ZH22X04000	CONNECTOR (FF1/4)	2
D13-1	ZD12P01100	O-RING	1
D14	YN21V00005F2	VALVE, CHECK (FF3/8)	2
D14-1	ZD12P01400	O-RING	1
D15	2444R1120D035	HOSE (FF1/4)(L=350mm)	1
D16	2420R349D090	HOSE (FF1/4)(L=900mm)	2
D17	2420R349D030	HOSE (FF1/4)(L=300mm)	1
D18	2420R349D040	HOSE (FF1/4)(L=400mm)	1
D19	2420R349D065	HOSE (FF1/4)(L=650mm)	2
D20	2420R349D050	HOSE (FF1/4)(L=500mm)	1
D21	2420R349D042	HOSE (FF1/4)(L=420mm)	1
D22	HH55Q04004G1	TEE (FF1/4)	1
D22-1	ZD12P01100	O-RING	1
D23	YN06H01006P1	CONNECTOR (FF3/8)	1
D23-1	ZD12P01400	O-RING	1
D24	YN21V00005F4	VALVE, CHECK (FF3/8)	1
D24-1	ZD12P01400	O-RING	1

REMOTE CONTROL LINES (VALVE)

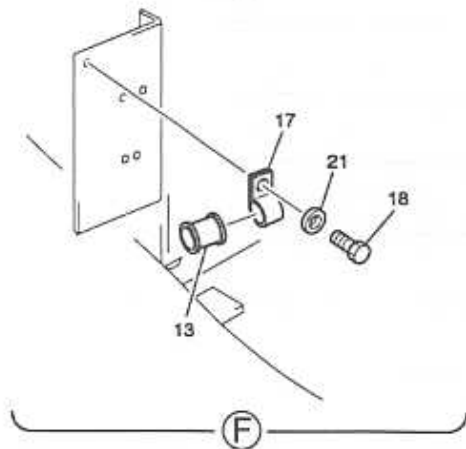
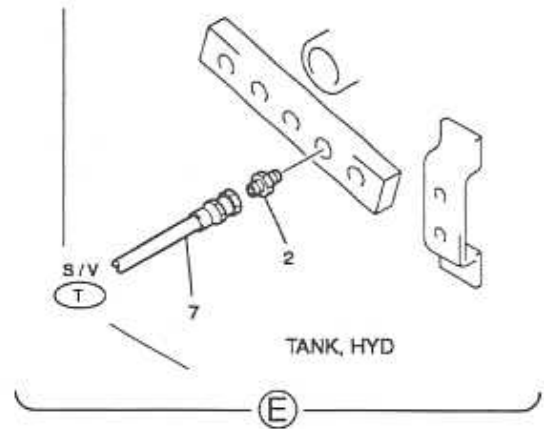
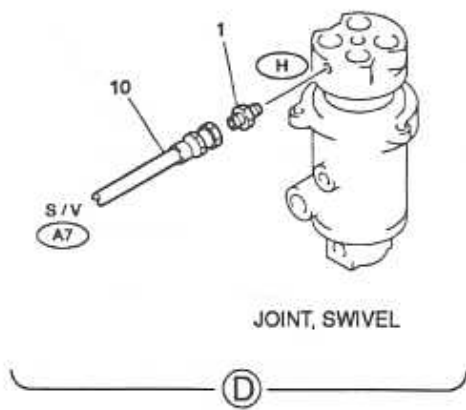
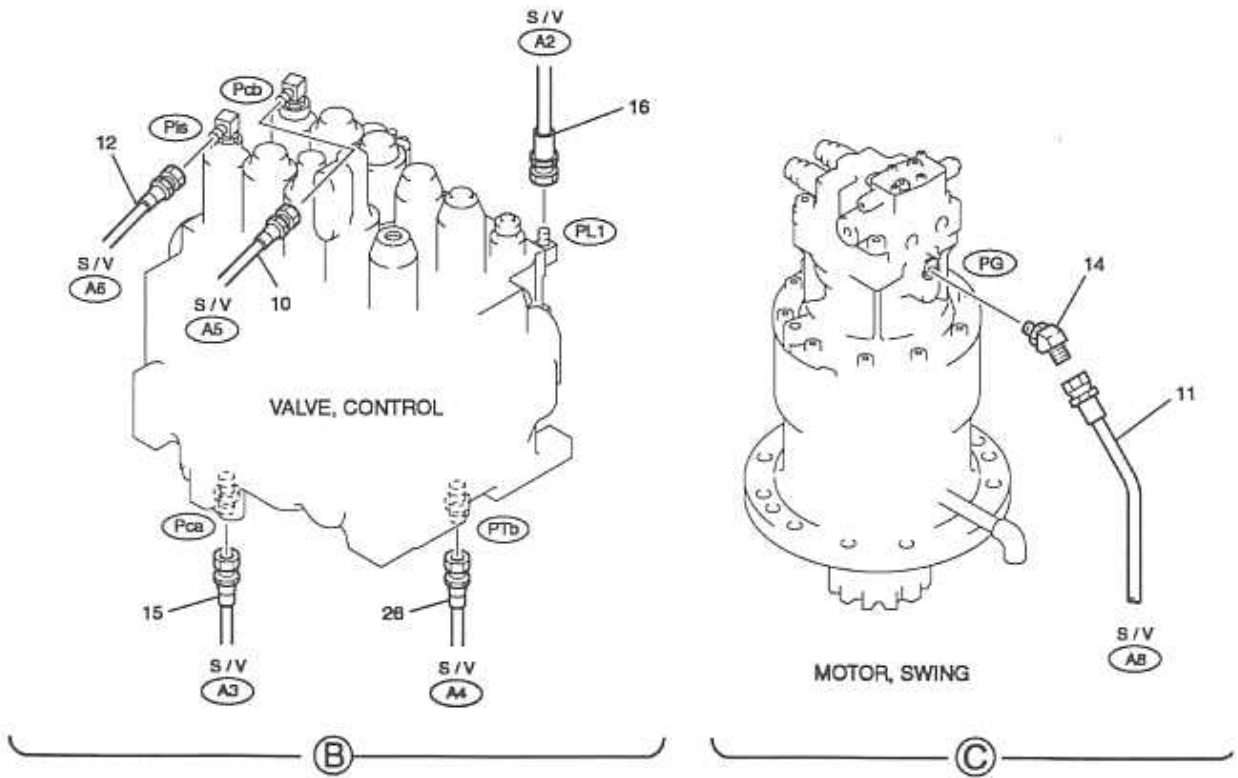


TANK FILTER

A

REMOTE CONTROL LINES (VALVE)

YQ08U0969-



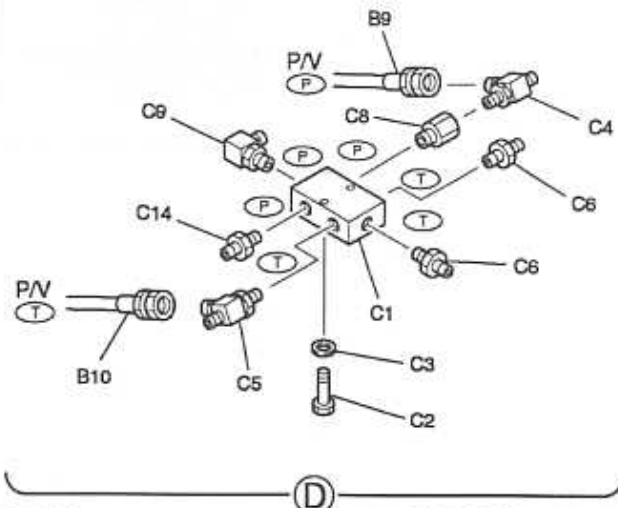
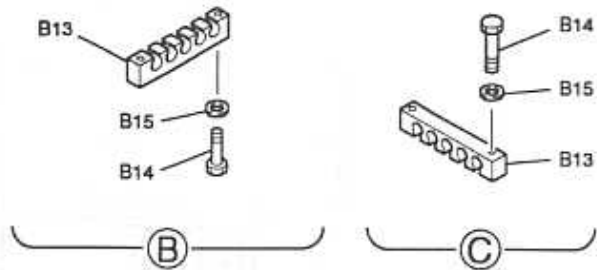
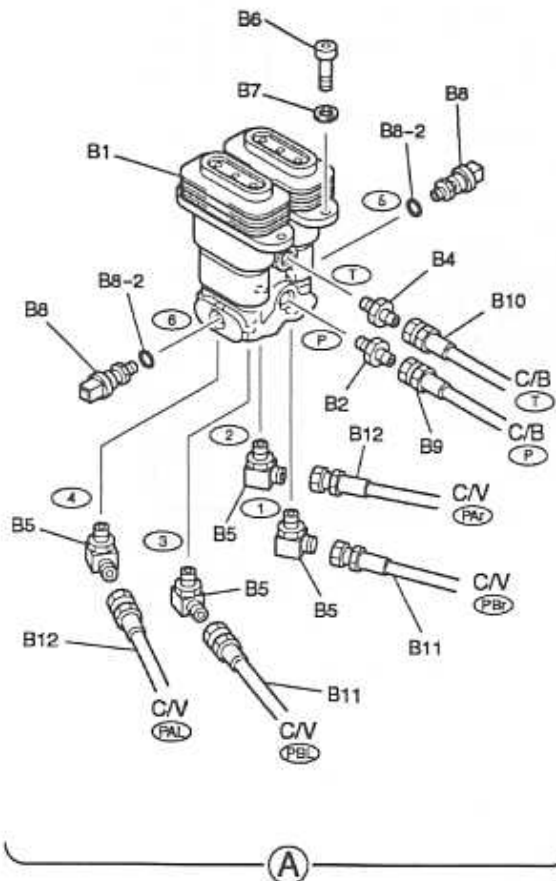
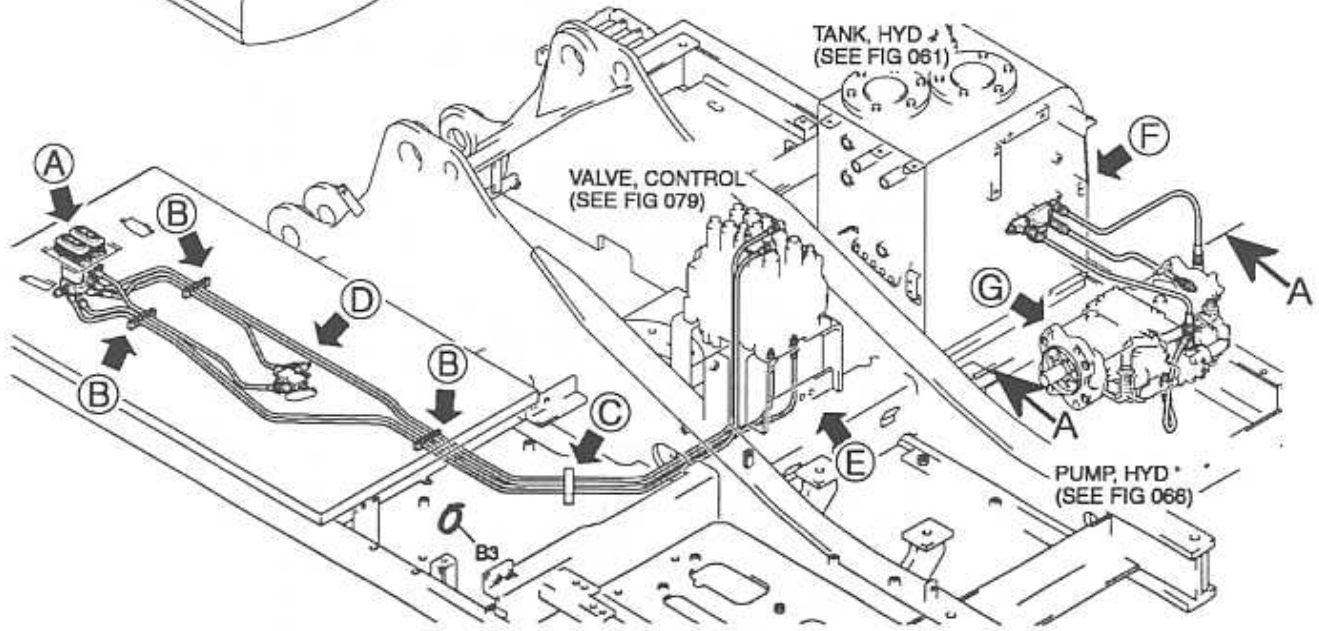
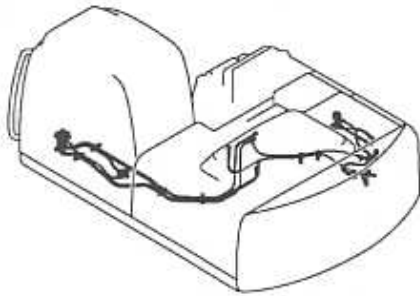
REMOTE CONTROL LINES (VALVE)

YQ08U0969-

ITEM	PART NUMBER	DESCRIPTION	QTY	
			F1	F2
	YN64H00161F1	CONTROL LINES, REMOTE (Valve-STD)	F1	-
	YN64H00161F1	CONTROL LINES, REMOTE (Valve-Rotation)	-	F2
1	ZH22X04000	CONNECTOR (PF1/4)	7	7
1-1	ZD12P01100	O-RING	1	1
2	ZH22X06000	CONNECTOR (PF3/8)	3	3
2-1	ZD12P01400	O-RING	1	1
3	2444Z2536	TEE (2-PF3/8-PT3/8)	1	1
4	2479R2348	SWITCH, THERMO	1	1
5	HH25X06006GA	CONNECTOR (w/filter)(PF3/8)	1	1
5-1	ZD12P01400	O-RING	1	1
6	YN35V00039F1	VALVE ASSY, SOLINOID	1	1
7	2444R1119D195	HOSE (PF3/8; L=1950mm)	1	1
8	2420R537D155	HOSE (PF3/8; L=1550mm)	1	1
9	2420R537D250	HOSE (PF3/8; L=2500mm)	1	1
10	2420R349D150	HOSE (PF1/4; L=1500mm)	2	2
11	2420R349D125	HOSE (PF1/4; L=1250mm)	1	1
12	2420R349D135	HOSE (PF1/4; L=1350mm)	1	1
13	YN64H01175P1	BUSHING	1	1
14	ZH42X04000	ELBOW, 45 (PF1/4)	1	1
14-1	ZD12P01100	O-RING	1	1
15	2420R349D105	HOSE (PF1/4; L=1050mm)	1	1
16	2420R349D180	HOSE (PF1/4; L=1800mm)	1	1
17	ZC46X22011	CLIP	1	1
18	ZS18C10020	CAPSCREW (M10X20mm)	1	1
19	ZS18C10075	CAPSCREW (M10X75mm)	2	2
21	ZW16H10000	WASHER (M10)	5	5
23	PY01P01043D6	CLIP	2	2
24	ZE72X06000	PLUG (PF3/8)	1	1
24-1	ZD12P01400	O-RING	1	1
25	ZH32X04000	ELBOW, 90 (PF1/4)	1	1
25-1	ZD12P01100	O-RING	1	1
26	2420R349D115	HOSE (PF1/4; L=1150mm)	1	1
27	2444R596D1	ELBOW (PF1/4)	-	1
28	2444T2592	TEE (2-PF3/8-PF1/4)	-	1
29	2444R596D2	ELBOW (PF3/8)	-	1
30	ZH22X04006	CONNECTOR (PF1/4-PF3/8)	-	1
30-1	ZD12P01400	O-RING	-	1
31	HH55Q06006G1	TEE (PF3/8)	-	1
31-1	ZD12P01400	O-RING	-	1

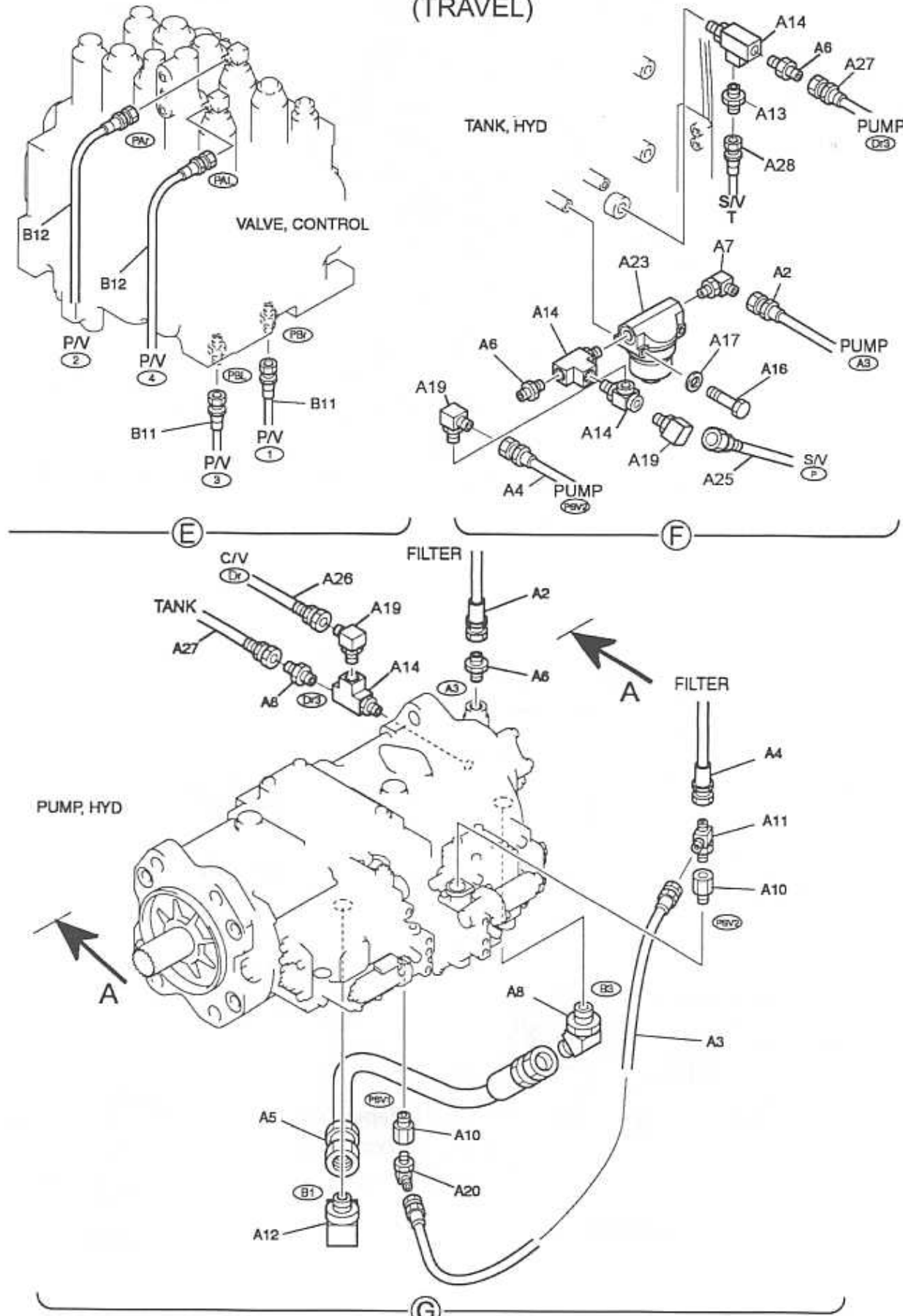
See CFM

REMOTE CONTROL LINES (TRAVEL)

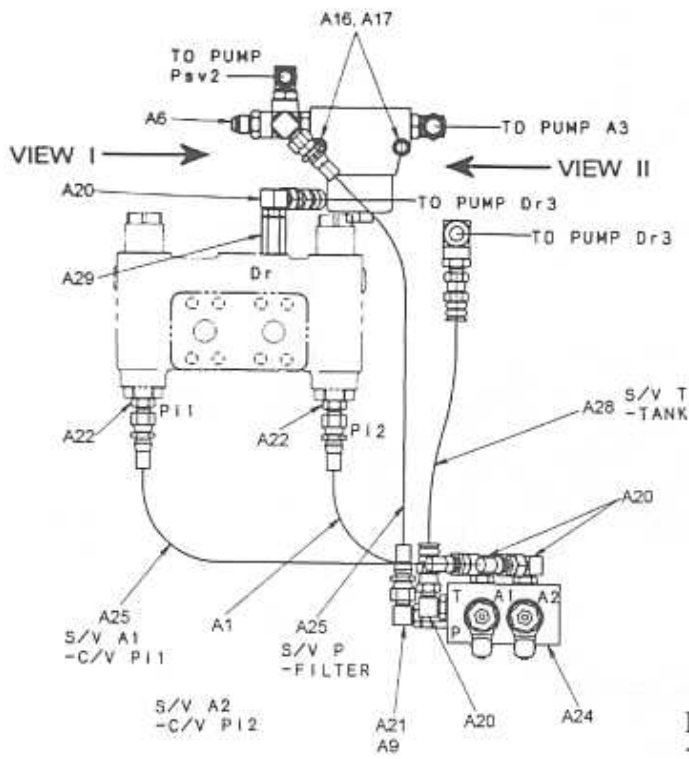
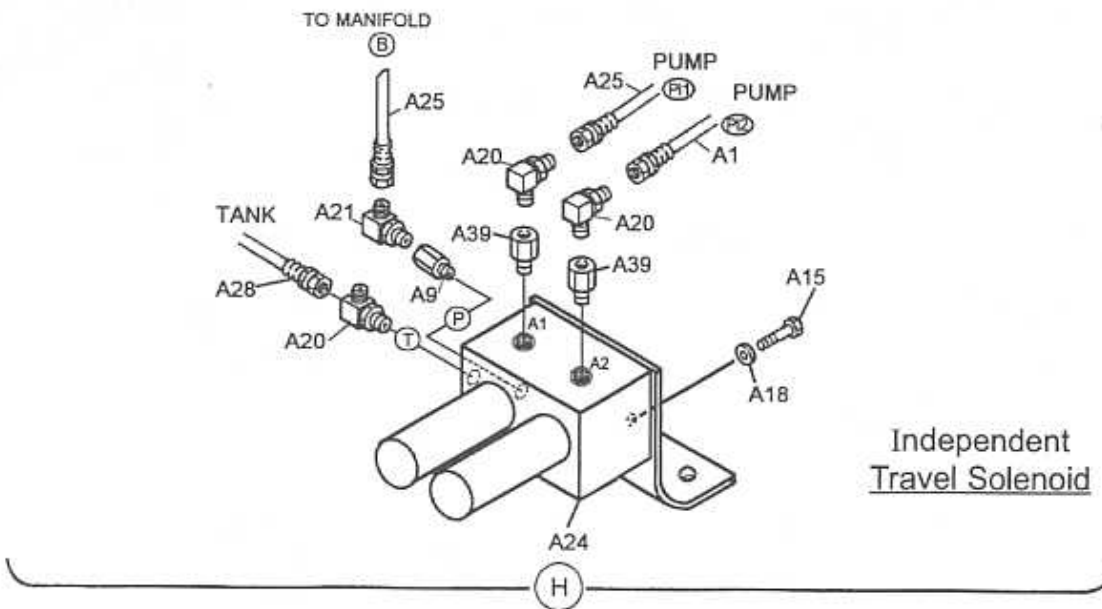


REMOTE CONTROL LINES (TRAVEL)

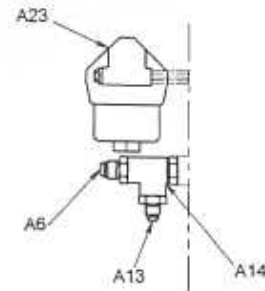
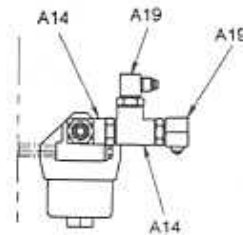
YQ08U0969~



REMOTE CONTROL LINES (TRAVEL)



34. 3rd N·m
TIGHTENING TORQUE



Independent
Travel Valve

REMOTE CONTROL LINES (TRAVEL)

ITEM	PART NUMBER	DESCRIPTION	QTY
		REMOTE CONTROL LINES (Travel / Pump)	
	YN06H00068F1	CONTROL LINES, PUMP	
A1	2420R349D036	HOSE (PF1/4; L=360mm)	1
A2	2420R537D060	HOSE (PF3/8; L=600mm)	1
A3	2420R349D045	HOSE (PF1/4; L=450mm)	1
A4	2420R349D068	HOSE (PF1/4; L=680mm)	1
A5	ZX22M12045	HOSE (PF1/4; L=450mm)	1
A6	ZH22X06000	CONNECTOR (PF3/8)	4
A6-1	ZD12P01400	O-RING	1
A7	ZH32X06000	ELBOW, 90 (PF3/8)	1
A7-1	ZD12P01400	O-RING	1
A8	ZH42X12000	ELBOW, 45 (PF3/4)	1
A8-1	ZD12P02400	O-RING	1
A9	2444Z2525	CONNECTOR (PF1/4; L=23mm)	1
A9-1	ZD12P01100	O-RING	1
A10	HH25R04004G5	CONNECTOR w /filter (PF1/4)	2
A10-1	ZD12P01100	O-RING	1
A11	2444Z2336	TEE (PF1/4)	1
A11-1	ZD12P01100	O-RING	1
A12	ZH32X12000	ELBOW, 90 (PF3/4)	1
A12-1	ZD12P02400	O-RING	1
A13	ZH22X04006	CONNECTOR (PF1/4-PF3/8)	1
A13-1	ZD12P01400	O-RING	1
A14	HH55Q06006G1	TEE (PF3/8)	4
A14-1	ZD12P01400	O-RING	1
A15	ZS18C08020	CAPSCREW (M8X20mm)	2
A16	ZS18C06060	CAPSCREW (M6X60mm)	2
A17	ZW16H06000	WASHER (M6)	2
A18	ZW16H08000	WASHER (M8)	2
A19	ZH32X04006	ELBOW (PF1/4-PF3/8)	3
A19-1	ZD12P01400	O-RING	1
A20	ZH32X04000	ELBOW, 90 (PF1/4)	5
A20-1	ZD12P01100	O-RING	1
A21	HH35X04004G3	ELBOW w /filter (PF1/4)	1
A21-1	ZD12P01100	O-RING	1
A22	ZH22X04000	CONNECTOR (PF1/4)	2
A22-1	ZD12P01100	O-RING	1
A23	YN50V00016F1	FILTER, INLINE	1
A24	YN35V00040F1	VALVE ASSY, SOLENOID	1
A25	2420R349D048	HOSE (PF1/4; L=480mm)	2
A26	2444R1120D045	HOSE (PF1/4; L=450mm)	1
A27	2444R1119D040	HOSE (PF3/8; L=400mm)	1

See CPM

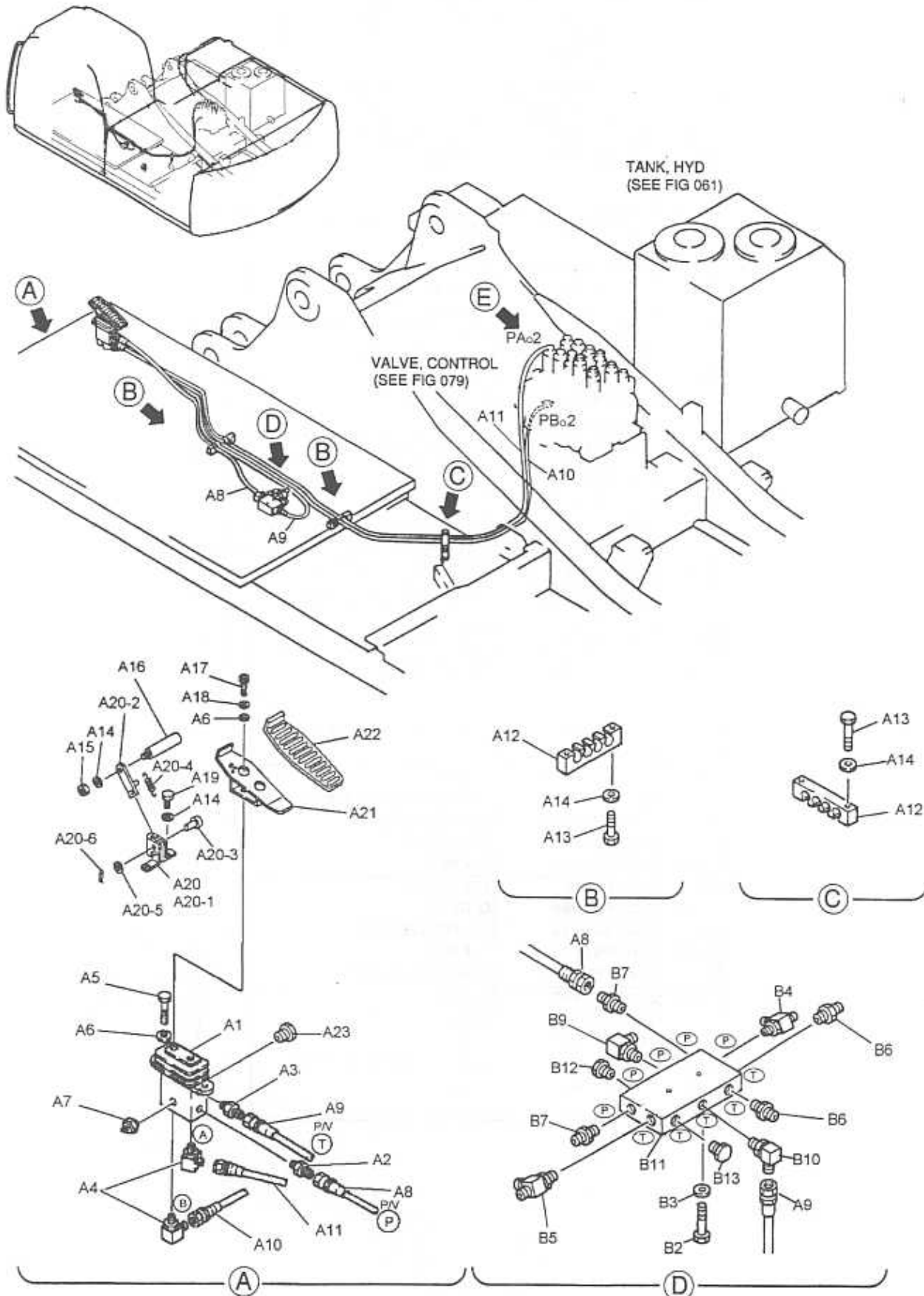
REMOTE CONTROL LINES (TRAVEL)

YQ08U0969-

ITEM	PART NUMBER	DESCRIPTION	QTY
A28	2444R1120D035	HOSE (PF1/4; L=350mm)	1
A29	2444T2524D2	CONNECTOR (PF1/4; L=34mm)	1
A29-1	ZD12P01100	O-RING	1
	YN62H00019F1	CONTROL LINES, PROPEL	
B1	YX30V00004F1	VALVE, PILOT	1
B2	HH25X04004G2	CONNECTOR w /filter (PF14)	1
B2-1	ZD12P01100	O-RING	1
B3	PY01P01043D3	CLIP	4
B4	ZH22X06000	CONNECTOR (PF3/8)	1
B4-1	ZD12P01400	O-RING	1
B5	ZH32X06000	ELBOW, 90 (PF3/8)	4
B5-1	ZD12P01400	O-RING	1
B6	ZS28C10025	CAPSCREW (M10X25mm)	4
B7	ZW16K10000	WASHER (M10)	4
B8	YX52S00010P1	SENSOR, PRESS (PF1/4)	2
B8-2	ZD12P01100	O-RING	1
B9	2420R349D090	HOSE (PF1/4; L=900mm)	1
B10	2444R1119D100	HOSE (PF3/8; L=1000mm)	1
B11	2420R537D300	HOSE (PF3/8; L=3000mm)	2
B12	2420R537D350	HOSE (PF3/8; L=3500mm)	2
B13	YN68H01035P1	CLAMP	4
B14	ZS18C08040	CAPSCREW (M8X40mm)	8
B15	ZW16X08000	WASHER (M8)	8
	YN64H00141F1	CONTROL LINES, BLOCK	
C1	YR64H01009P1	BLOCK	1
C2	ZS18C08040	CAPSCREW (M8X40mm)	2
C3	ZW16H08000	WASHER (M8)	2
C4	2444Z2336	TEE (PF1/4)	1
C4-1	ZD12P01100	O-RING	1
C5	2444Z2359	TEE (PF3/8)	1
C5-1	ZD12P01400	O-RING	1
C6	ZH22X06000	CONNECTOR (PF3/8)	2
C6-1	ZD12P01400	O-RING	1
C8	2444T2505	CONNECTOR (PF1/4-PF3/8)	1
C8-1	ZD12P01400	O-RING	1
C9	ZH32X06000	ELBOW, 90 (PF3/8)	1
C9-1	ZD12P01400	O-RING	1
C14	ZH22X04006	CONNECTOR (PF1/4-PF3/8)	1
C14-1	ZD12P01400	O-RING	1

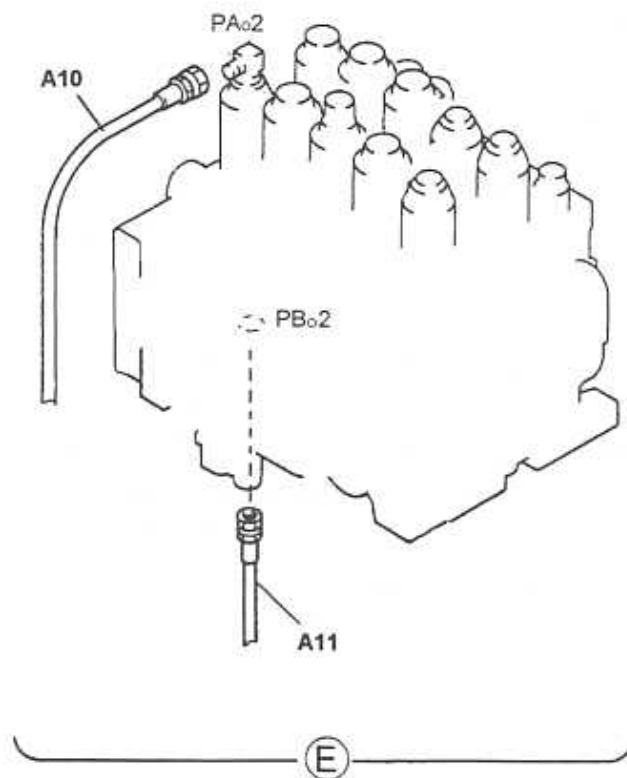
See CPM

REMOTE CONTROL LINES (REWORK) (NIBBLER & BREAKER)



REMOTE CONTROL LINES (REWORK) (NIBBLER & BREAKER)

YQ08U0969~



REMOTE CONTROL LINES (REWORK) (NIBBLER & BREAKER)

YQ08U0969-

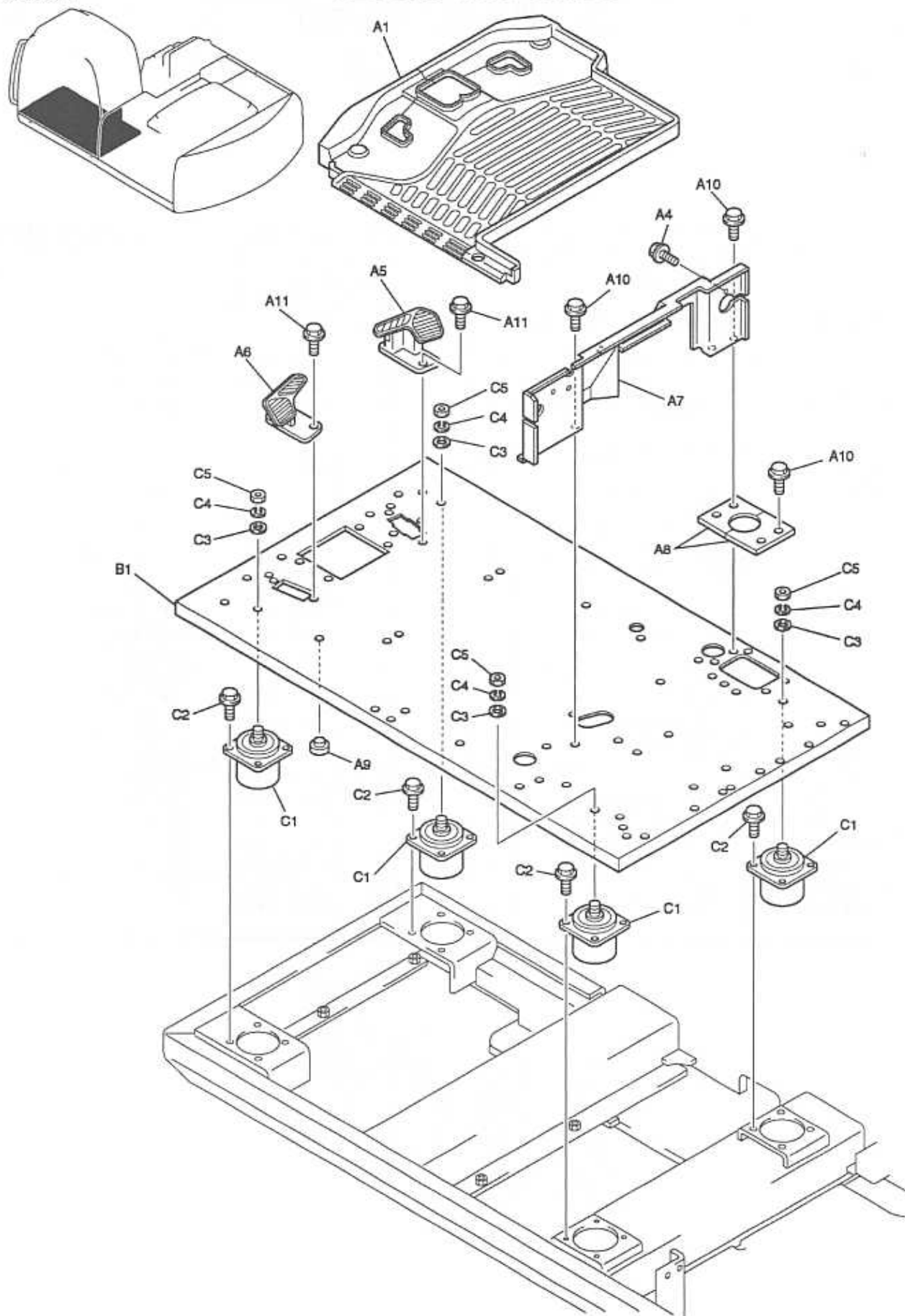
ITEM	PART NUMBER	DESCRIPTION	QTY
		REMOTE CONTROL LINES (REWORK - N&B)	
	YN68H0089F1	CONTROL LINES, REMOTE (N&B)	
A1	YN30V00080F1	VALVE, PILOT	1
A2	HH25X04004G2	CONNECTOR w/filter (PF1/4)	1
A2-1	ZD12P01100	O-RING	1
A3	ZH22X04000	CONNECTOR (PF1/4)	1
A3-1	ZD12P01100	O-RING	1
A4	ZH32X04000	ELBOW, 90 (PF1/4)	2
A4-1	ZD12P01100	O-RING	1
A5	ZS18C10025	CAPSCREW (M10X25mm)	2
A6	ZW16X10000	WASHER (M10)	4
A7	YX52S00010P1	SENSOR, PRESSURE (PF1/4)	1
A7-2	ZD12P01100	O-RING	1
A8	2420R349D085	HOSE (PF1/4; L=850mm)	1
A9	2444R1120D110	HOSE (PF1/4; L=1100mm)	1
A10	2420R349D340	HOSE (PF1/4; L=3400mm)	1
A11	2420R349D305	HOSE (PF1/4; L=3050mm)	1
A12	YN68H01035P1	CLAMP	3
A13	ZS18C08065	CAPSCREW (M8X65mm)	6
A14	ZW16X08000	WASHER (M8)	9
A15	ZN18C08007	NUT (M8)	1
A16	PY03M01026P1	PIN	1
A17	ZS28C10020	CAPSCREW (M10X20mm)	2
A18	ZW26X10000	LOCK WASHER (M10)	2
A19	ZS18C08020	CAPSCREW (M8X20mm)	2
A20	YT30M01002F1	LOCK ASSY	1
A20-1	PY30M01004P1	SUPPORT	1
A20-2	YT30M01004P1	LOCK, LEVER	1

See CPM

ITEM	PART NUMBER	DESCRIPTION	QTY
A20-3	PM55M01012P1	PIN	1
A20-4	HP26T09002G1	SPRING	1
A20-5	ZW16X10000	WASHER (M10)	1
A20-6	2419R9D3	SNAP PIN	1
A21	YN03M01319P1	PEDAL	1
A22	YN03M01266P2	RUBBER	1
A23	ZE72X04000	PLUG (PF1/4)	1
A23-1	ZD12P01100	O-RING	1
	YN64H00141F2	CONTROL LINES, BLOCK (N&B)	
B2	ZS18C08040	CAPSCREW (M8X40mm)	2
B3	ZW16H08000	WASHER (M8)	2
B4	2444Z2336	TEE (PF1/4)	1
B4-1	ZD12P01100	O-RING	1
B5	2444Z2359	TEE (PF3/8)	1
B5-1	ZD12P01400	O-RING	1
B6	ZH22X06000	CONNECTOR (PF3/8)	2
B6-1	ZD12P01400	O-RING	1
B7	ZH22X04000	CONNECTOR (PF1/4)	2
B7-1	ZD12P01100	O-RING	1
B9	ZH32X06000	ELBOW, 90 (PF3/8)	1
B9-1	ZD12P01400	O-RING	1
B10	ZH32X04006	ELBOW (PF1/4-PF3/8)	1
B10-1	ZD12P01400	O-RING	1
B11	2416N6141	BLOCK	1
B12	ZE72X04000	PLUG (PF1/4)	1
B12-1	ZD12P01100	O-RING	1
B13	ZE72X06000	PLUG (PF3/8)	1
B13-1	ZD12P01400	O-RING	1

YQ08U0969~

FLOOR PLATE GROUP

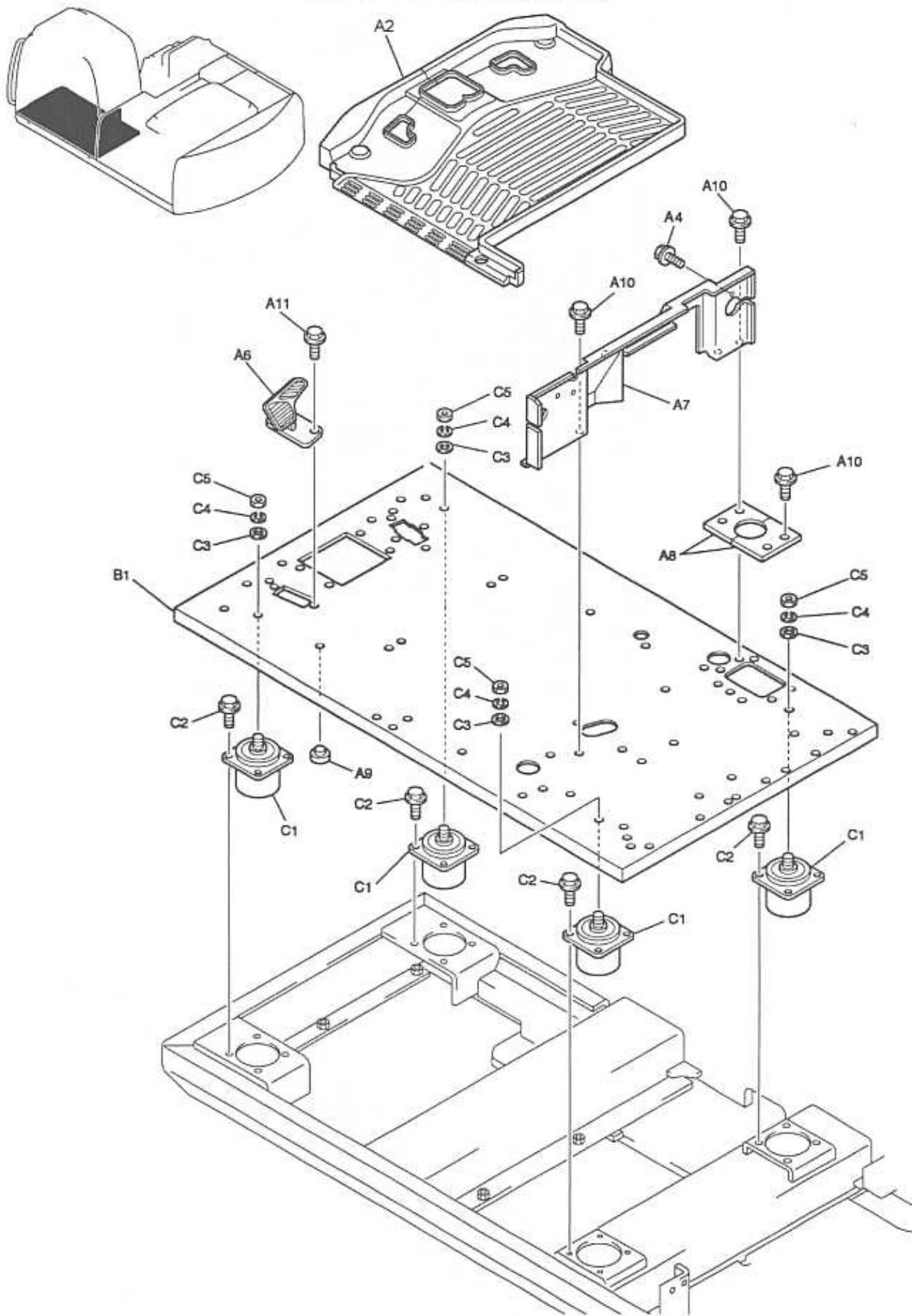


FLOOR PLATE GROUP

YQ08U0969~

ITEM	PART NUMBER	DESCRIPTION	QTY
		FLOOR PLATE GROUP (STD)	
	YN03M00087F1	PLATE GROUP, FLOOR (STD)	
A1	YN26M00053P1	MAT, FLOOR	1
A4	ZM22C08016	SEMS-BOLT (M8X16mm)	4
A5	YN03M01334P1	SUPPORT (RH)	1
A6	YN03M01335P1	SUPPORT (LH)	1
A7	YN03M01440P1	COVER	1
A8	YN03M01479P1	COVER	2
A9	2420R603D6	GROMMET	1
A10	ZM27C08025	SEMS-BOLT (M8X25mm)	5
A11	ZM22C10030	SEMS-BOLT (M10X30mm)	4
B1	YN03M00075P1	PLATE, FLOOR	1
	YN03M00023F1	PLATE INSTAL, FLOOR	
C1	YN03M01245P1	MOUNT, RUBBER	4
C2	ZM12C10030	SEMS-BOLT (M10X30mm)	16
C3	ZW16H16000	WASHER (M16)	4
C4	ZW26X16000	LOCK WASHER (M16)	4
C5	ZN18C16013	NUT (M16)	4

FLOOR PLATE GROUP (REWORK) (NIBBLER & BREAKER)

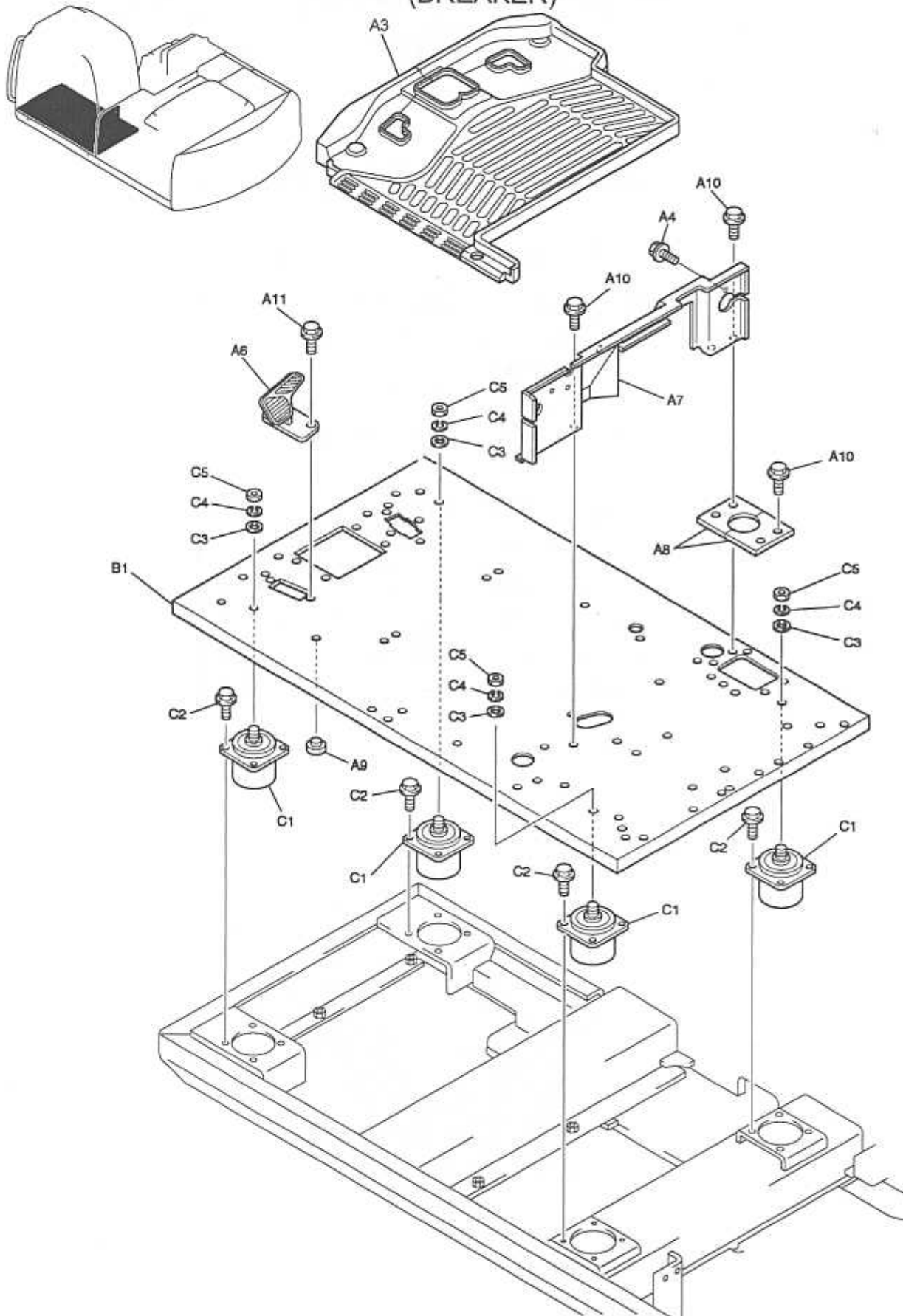


FLOOR PLATE GROUP (REWORK) (NIBBLER & BREAKER)

YQ08U0969-

ITEM	PART NUMBER	DESCRIPTION	QTY
		FLOOR PLATE GROUP (N&B)	
	YN03M00087F2	PLATE GROUP, FLOOR (N&B)	
A2	YN26M00054P1	MAT, FLOOR	1
A4	ZM22C08016	SEMS-BOLT	4
A6	YN03M01335P1	SUPPORT (LH)	1
A7	YN03M01440P1	COVER	1
A8	YN03M01479P1	COVER	2
A9	2420R603D6	GROMMET	1
A10	ZM27C08025	SEMS-BOLT (M8X25mm)	5
A11	ZM22C10030	SEMS-BOLT (M10X30mm)	2
B1	YN03M00075P1	PLATE, FLOOR	1
	YN03M00023F1	PLATE INSTAL, FLOOR	
C1	YN03M01245P1	MOUNT, RUBBER	4
C2	ZM12C10030	SEMS-BOLT (M10X30mm)	16
C3	ZW16H16000	WASHER (M16)	4
C4	ZW26X16000	LOCK WASHER (M16)	4
C5	ZN18C16013	NUT (M16)	4

FLOOR PLATE GROUP (REWORK) (BREAKER)

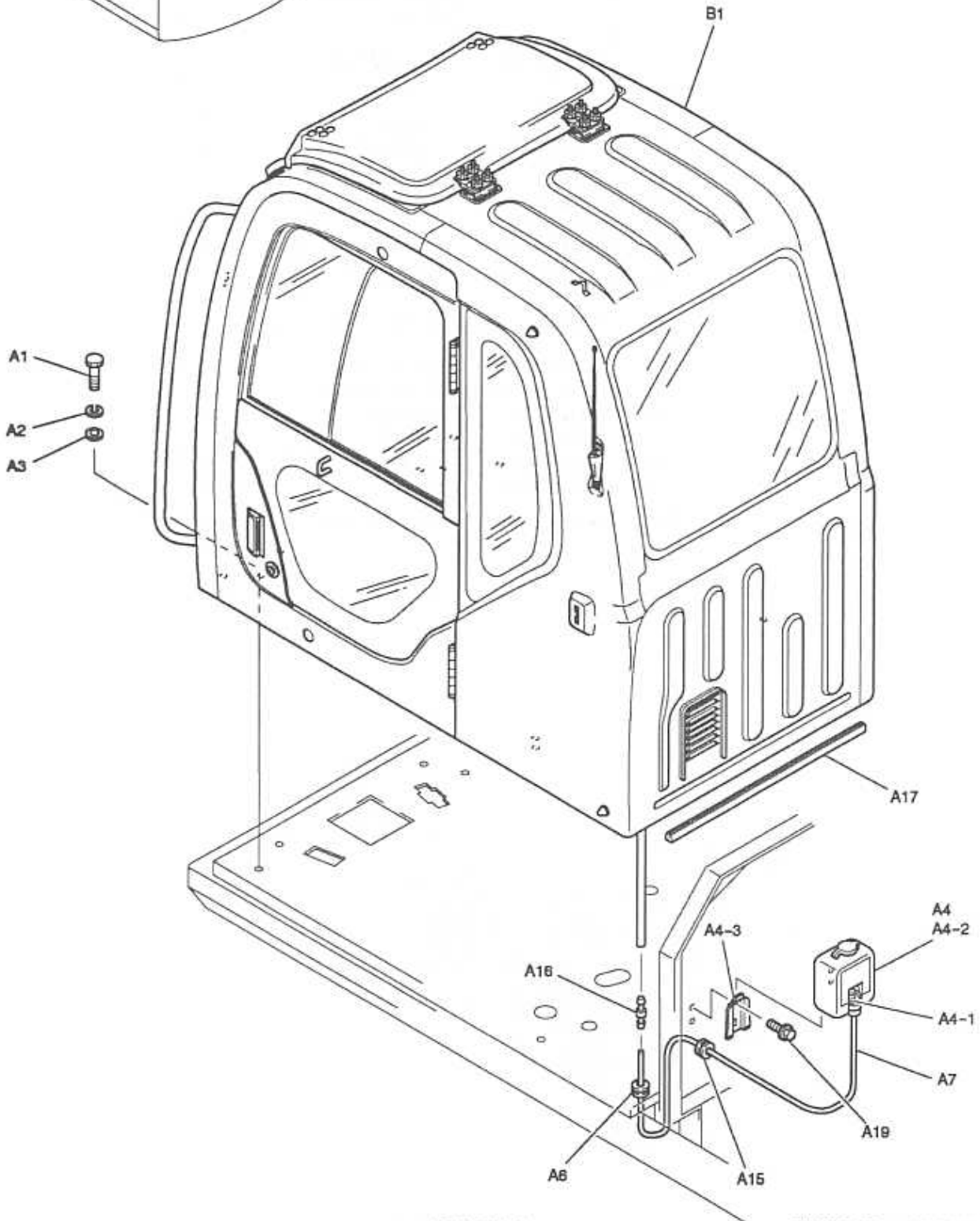
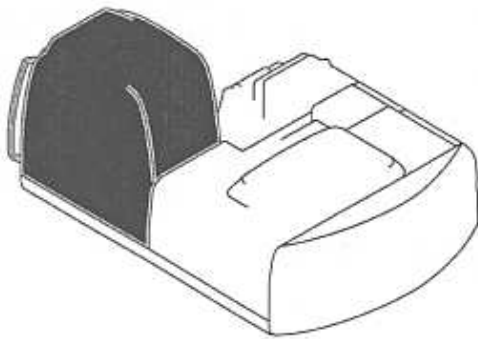


FLOOR PLATE GROUP (REWORK) (BREAKER)

YQ08U0969-

ITEM	PART NUMBER	DESCRIPTION	QTY
		FLOOR PLATE GROUP (Breaker)	
	YN03M00087F3	PLATE GROUP, FLOOR (Breaker)	
A3	YN26M00055P1	MAT, FLOOR	1
A4	ZM22C08016	SEMS-BOLT	4
A6	YN03M01335P1	SUPPORT (LH)	1
A7	YN03M01440P1	COVER	1
A8	YN03M01479P1	COVER	2
A9	2420R603D6	GROMMET	1
A10	ZM27C08025	SEMS-BOLT (M8X25mm)	5
A11	ZM22C10030	SEMS-BOLT (M10X30mm)	2
B1	YN03M00075P1	PLATE, FLOOR	1
	YN03M00023F1	PLATE INSTAL, FLOOR	
C1	YN03M01245P1	MOUNT, RUBBER	4
C2	ZM12C10030	SEMS-BOLT (M10X30mm)	16
C3	ZW16H16000	WASHER (M16)	4
C4	ZW26X16000	LOCK WASHER (M16)	4
C5	ZM18C16013	NUT (M16)	4

CAB INSTALLATION



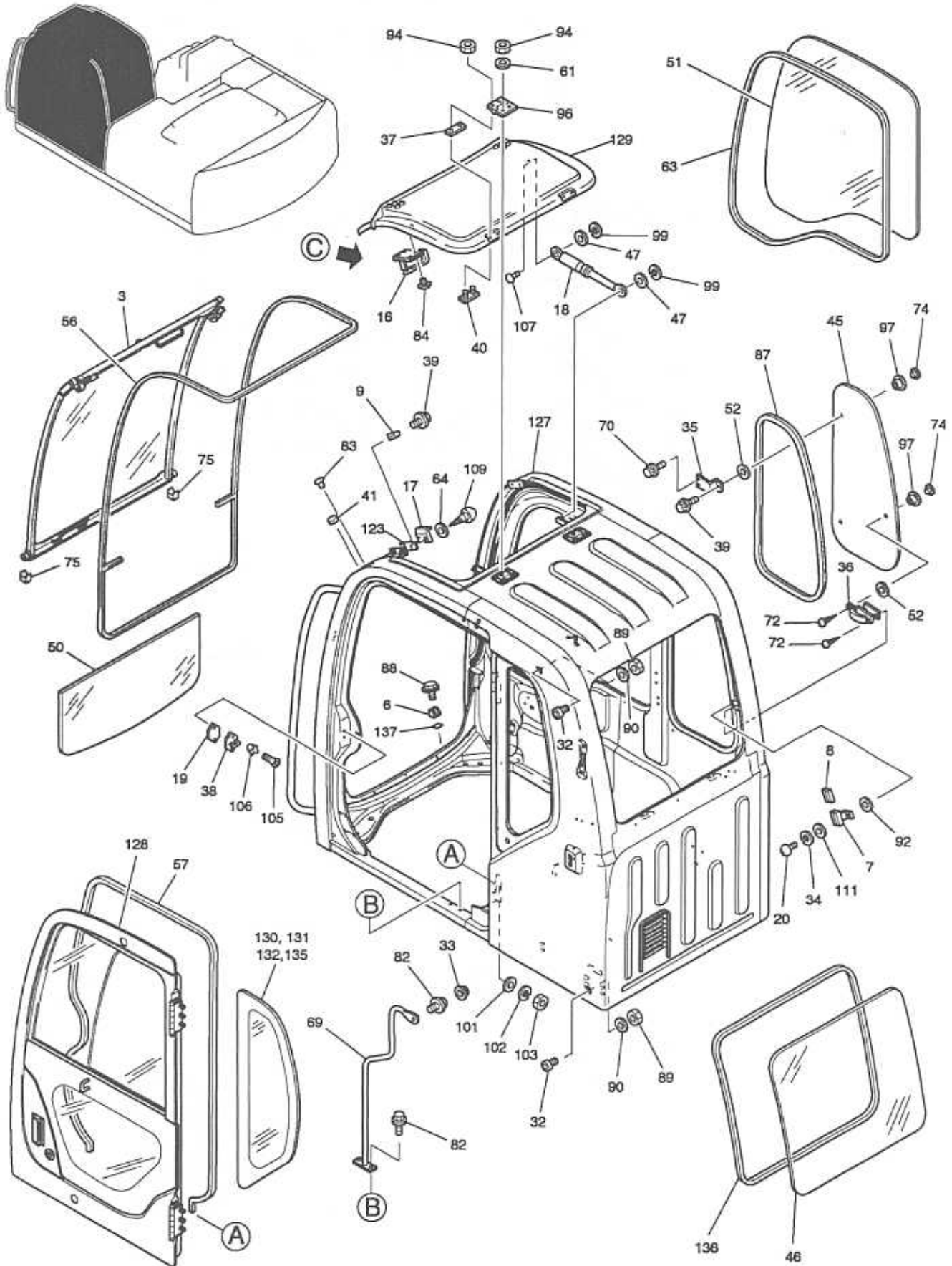
CAB INSTALLATION

YQ08U0969-

ITEM	PART NUMBER	DESCRIPTION	QTY
		CAB INSTALLATION	
	YN02C00019F1	CAB INSTAL	
A1	ZS18C12065	CAPSCREW (M12X65mm)	8
A2	ZW26X12000	LOCK WASHER (M12)	8
A3	2418T10357	WASHER (M13)	8
A4	YT54C00003F1	TANK ASSY, WATER	1
A4-1	YT54C00003S001	MOTOR ASSY, ELECTRIC	1
A4-2	YT54C00003S002	TANK, WATER	1
A4-3	YT54C00003S003	BRACKET	1
A6	YN03M01159P1	GROMMET	1
A7	YT02C01126D3	TUBE	1
A15	2420R372D17	GROMMET	1
A16	YT02C01282P1	CONNECTOR	1
A17	2427Z1594D078	TRIM	1
A19	ZM61C06016	SEMS-BOLT (M6X16mm)	2
B1	YN02C00103F2	CAB ASSY	1

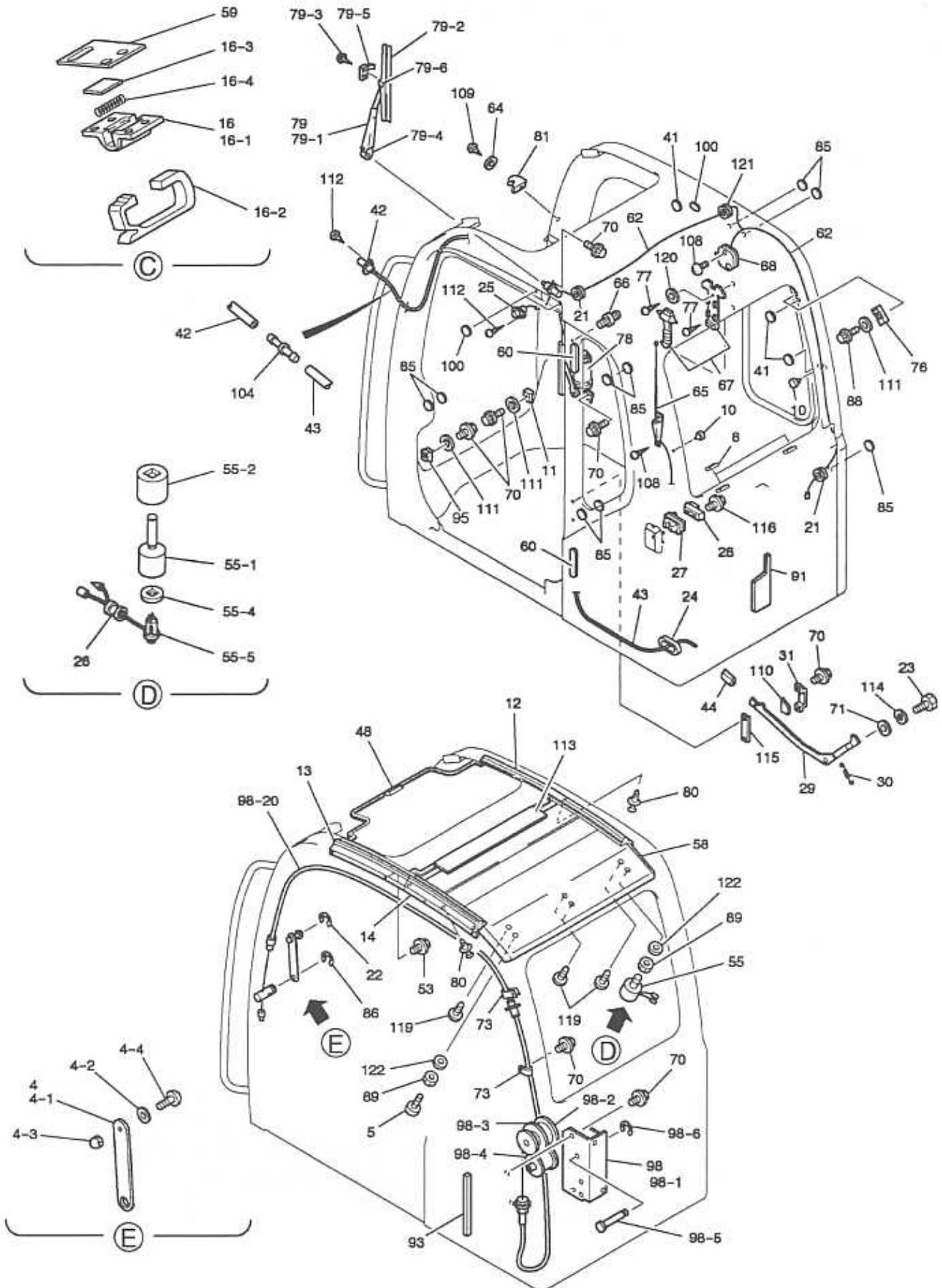
See 170-01-1

CAB ASSEMBLY

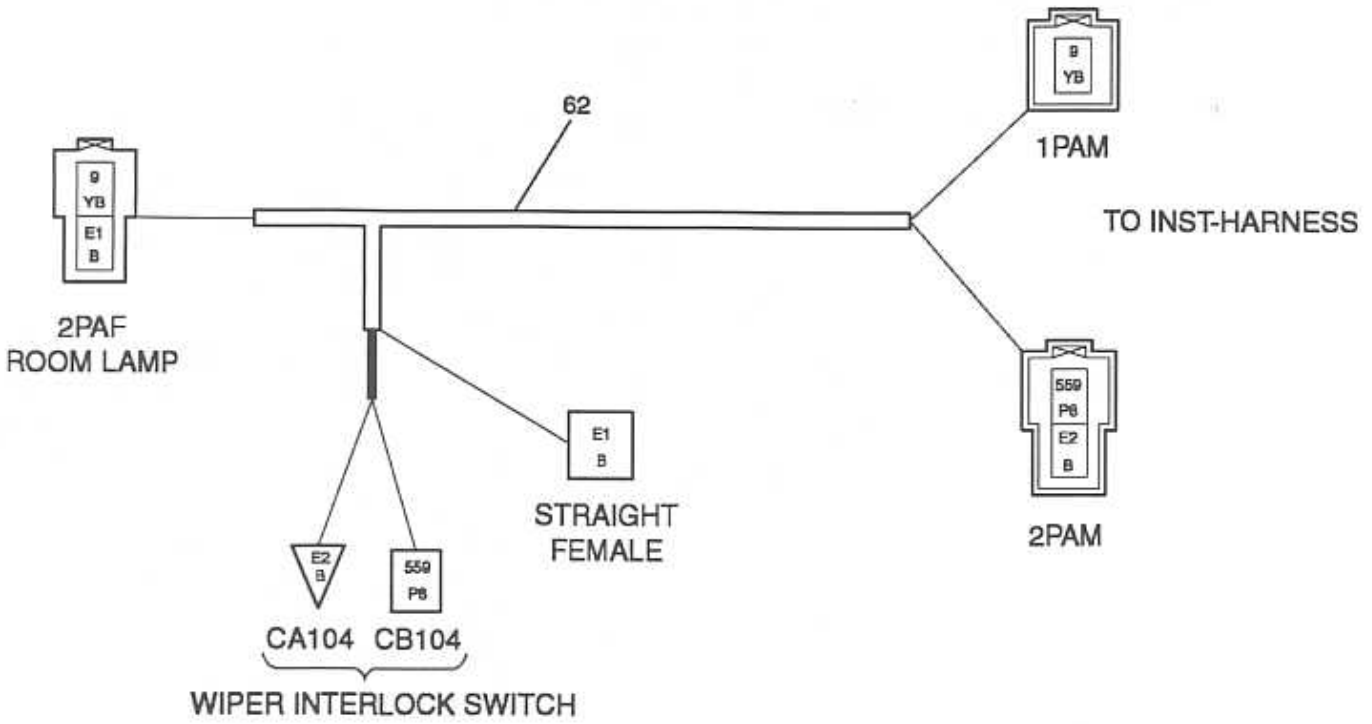


CAB ASSEMBLY

YQ08U0969-



CAB ASSEMBLY



CAB ASSEMBLY

YQ08U0969-

ITEM	PART NUMBER	DESCRIPTION	QTY
	YN02C00103F2	CAB ASSY	
3	YN50C00003F1	WINDOW ASSY, FRONT	1
4	YN02C01913F1	PLATE ASSY	1
4-1	YN02C01909P3	PLATE	1
4-2	YN02C01911P1	WASHER	1
4-3	YN02C01912P1	NUT	1
4-4	ZS31C03010	MACHINE SCREW	1
5	YT02C01066P1	STOPPER	1
6	YN02C02095P1	STOPPER	2
7	YT02C01334P1	HOLDER	2
8	YT02C01081D1	SEAL	4
9	YN02C02128P1	STOPPER	2
10	YT02C01070P1	RUBBER	2
11	YN02C02147P1	RUBBER	1
12	YN02C01953P1	RAIL (RH)	2
13	YN02C01954P1	RAIL (LH Front)	2
14	YN02C01955P1	RAIL (LH Rear)	1
16	YT02C01232F1	LOCK ASSY	2
16-1	YT02C01232S001	BASE	1
16-2	YT02C01232S002	HANDLE	1
16-3	YT02C01232S003	COVER	1
16-4	YT02C01232S004	SPRING	1
17	YN02C01742P1	CATCH	2
18	YT02C01086P1	SPRING, GAS	2
19	YT51C01077D1	SPACER	2
20	2420Z1227D8	MACHINE SCREW	2
21	2420R372D14	GROMMET	2
22	ZR36X00800	RING, SNAP	1
23	ZS18C08030	CAPSCREW	1
24	YT02C01235P1	GROMMET	1
25	YT50S00004P1	SWITCH	1
26	YN03M01159P1	GROMMET	1
27	YT02C01109F1	CATCH ASSY, DOOR	1
28	YT02C01124P1	COVER	1
29	YN02C02117P1	LEVER	1
30	YT02C01207P1	SPRING	1
31	YT02C01276P1	COVER	1
32	YN02C01823P1	STOPPER	2
33	YT02C01233P1	CAP	1
34	2418Z726D3	LOCK WASHER	2
35	YN02C01811P1	PLATE	2
36	YN02C01656P1	LOCK ASSY	1
37	YN02C01764P1	RUBBER	2
38	YT51C01021P1	HOOK	1
39	ZM66C05012	SEMS-BOLT	4
40	YN02C01763P1	BRACKET	2
41	YT02C01261D1	PLATE	5
42	YT54C00001P1	WASHER ASSY, WINDOW	1
43	YT02C01126D1	TUBE	1
44	YT02C01274P1	COVER	1
45	YN02C01567P1	GLASS (RH Rear)	1
46	YN02C01787P1	GLASS (Rear)	1
47	YT02C01390P1	WASHER	4
48	YN55C00005P1	SUN VISOR	1
50	YN02C02082P1	GLASS (FR Low er)	1
51	YN02C01794P1	GLASS (RH)	1
52	YN02C01812P1	SPACER	3
53	YN02C01875D1	MACHINE SCREW	8
55	YT02C01330F2	STOPPER ASSY	1
55-1	YT02C01304P1	STOPPER	1
55-2	YT02C01306P1	RUBBER	1

See 172-01-1

(M3X10mm)

(M5X12mm)

(M8X30mm)

(M6)

(M5X12mm)

(M9)

(M5X16mm)

ITEM	PART NUMBER	DESCRIPTION	QTY
55-4	YT02C01307P1	PLATE	1
55-5	YN50E00006P1	SWITCH ASSY	1
56	YN02C02087P1	STRIP, WEATHER	1
57	YN02C01741P1	SEAL	1
58	YN02C02019P1	PAD	1
59	YN02C01888P1	PACKING	2
60	YT02C01129P1	COVER	2
61	YR21C01161P1	WASHER	4
62	YN02C01761P1	HARNESS	1
63	YN02C01821P1	RUBBER	1
64	2418Z725D3	WASHER	5
65	YT54S00001P1	ANTENNA	1
66	YT02C01134P1	HOOK	1
67	YN01T01012F1	HAMMER	1
68	YT80S00001P1	LIGHT, ROOM	1
69	YN02C01790P1	HANDLE	1
70	ZM66C06016	SEMS-BOLT	18
71	2418T112753	WASHER	1
72	YN17M01033D3	MACHINE SCREW	3
73	YT02C01161P1	CLAMP	2
74	YN02C01668P1	RETAINER	3
75	YT02C01136P1	STOPPER	2
76	YT02C01140P1	STOPPER	2
77	ZS32T40020	CROSS TAPPING SCREW	2
78	YN53C00011P1	MOTOR ASSY, WIPER	1
79	YN53C01003F1	ARM ASSY, WIPER	1
79-1	YN53C01003S001	ARM, WIPER	1
79-2	YN53C01003S002	BLADE, WIPER	1
79-3	YN53C01003S003	MACHINE SCREW	2
79-4	YN53C01003S004	COVER	1
79-5	YN53C01003S005	STOPPER	1
79-6	YN53C01003S006	BRACKET	2
80	YN02C01820P1	CLIP	6
81	YN02C01294P1	STOPPER	1
82	ZM27C10025	SEMS-BOLT	3
83	YN02C01292P1	PLUG	4
84	YN02C01876D1	SCREW, TAPPING	8
85	YT02C01261D3	PLATE	9
86	YN02C01914P2	WASHER	1
87	YN02C01825P1	SEAL	1
88	ZM46C06020	SEMS-BOLT	4
89	ZN18F10008	NUT	4
90	ZW16X10000	WASHER	2
91	YN02C02118P1	INSULATION	1
92	YT02C01333P1	SPACER	2
93	YN02C02119P1	INSULATION	1
94	YR11M01038D2	NUT	8
95	YN02C02148P1	RUBBER	1
96	YN02C01652P1	HINGE	2
97	YN02C01669P1	PACKING	3
98	YN02C01736F3	CABLE ASSY	1
98-1	YN02C01736S001	BRACKET	1
98-2	YN02C01736S002	SPRING	1
98-3	YN02C01736S003	SHAFT	1
98-4	YN02C01736S004	SHAFT	1
98-5	YN02C01736S005	SHAFT	2
98-6	ZR36X00600	RING, SNAP	2
98-20	YN02C01736S020	CABLE ASSY	1
99	ZR36X00600	RING, SNAP	4
100	YT02C01261D2	PLATE	3
101	ZW11X10000	WASHER	6
102	ZW22C10000	LOCK WASHER	6

(M9)

(M6)

(M6X16mm)

(M9)

(M5X10mm)

(M4X20mm)

(M10X25mm)

(M10)

(M6X20mm)

(M10)

(M10)

(M6)

(M10)

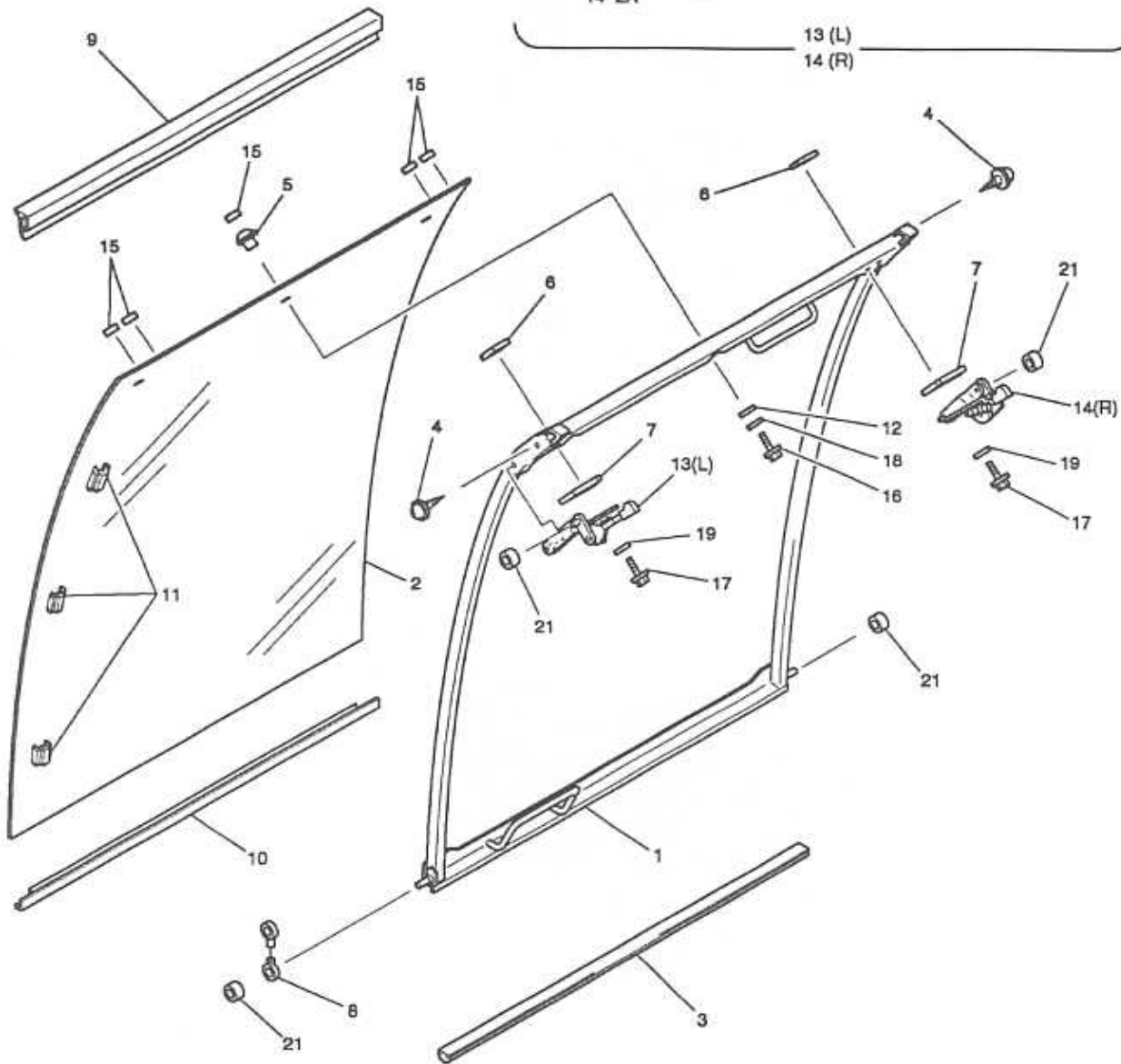
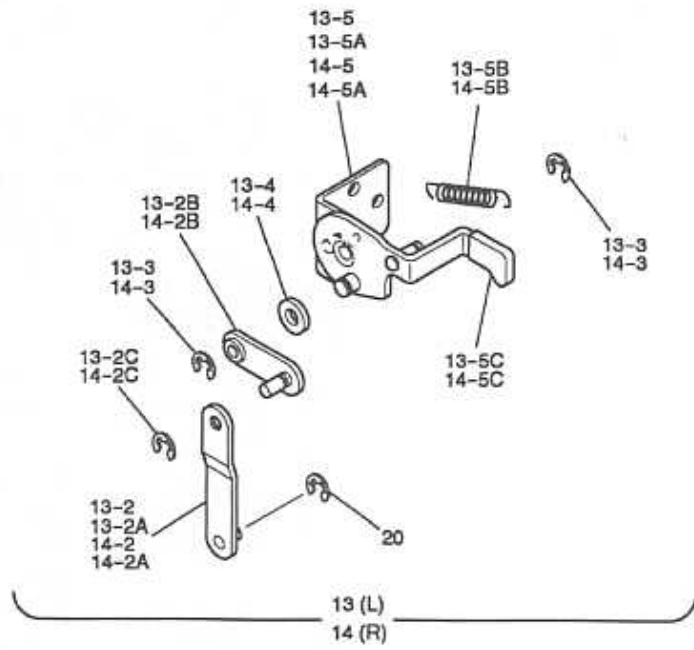
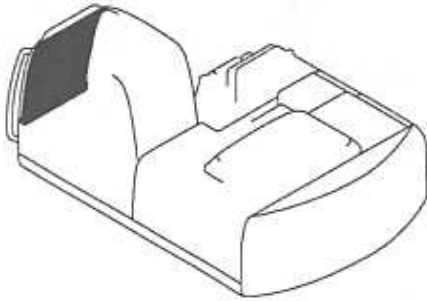
(M10)

CAB ASSEMBLY

YQ08U0969-

ITEM	PART NUMBER	DESCRIPTION	QTY	
103	ZN13C10008	NUT	6	(M10)
104	PY21V01001P1	VALVE CHECK	1	
105	ZS68C08025	CAPSCREW	2	(M8X25mm)
106	YT02C01229P1	WASHER	2	(M8)
107	YN02C01824P1	PIN	2	
108	ZS13C05010	MACHINE SCREW	4	(M5X10mm)
109	2420Z1227D4	MACHINE SCREW	5	(M6X20mm)
110	YT02C01275P1	LABEL	1	
111	2420T4505	WASHER	6	(M17)
112	ZS23T40012	CROSS TAPPING SCREW	4	(M40X12mm)
113	YN02C01962P1	INSULATION	1	
114	ZW26C08000	LOCK WASHER	1	(M8)
115	YT02C01280P1	SPACER	1	
116	ZM22C08020	SEM S-BOLT	4	(M8X20mm)
119	YN02C01880P1	CLIP	1	
120	ZW16K05000	WASHER	1	(M5)
121	2420R372D8	GROMMET	1	
122	YT02C01268P1	WASHER	2	(M11)
123	YN02C02153D1	SHIM, t1.2	1	
127	YN02C00106P1	CAB	1	(not servicable)
128	YN51C00010F2	DOOR ASSY, CAB	1	See 173-01-1
129	YN02C02002P1	ROOF	1	
130	YN02C02136P1	GLASS (LH)	1	
131	YT02C01514D2	SEAL	1	
132	YR01T01005P1	ADHESIVE	1	
135	YT02C01515D1	TRIM	1	
136	YT02C01115D3	RUBBER	1	
137	YN02C02186P1	SPACER	2	

FRONT WINDOW ASSEMBLY

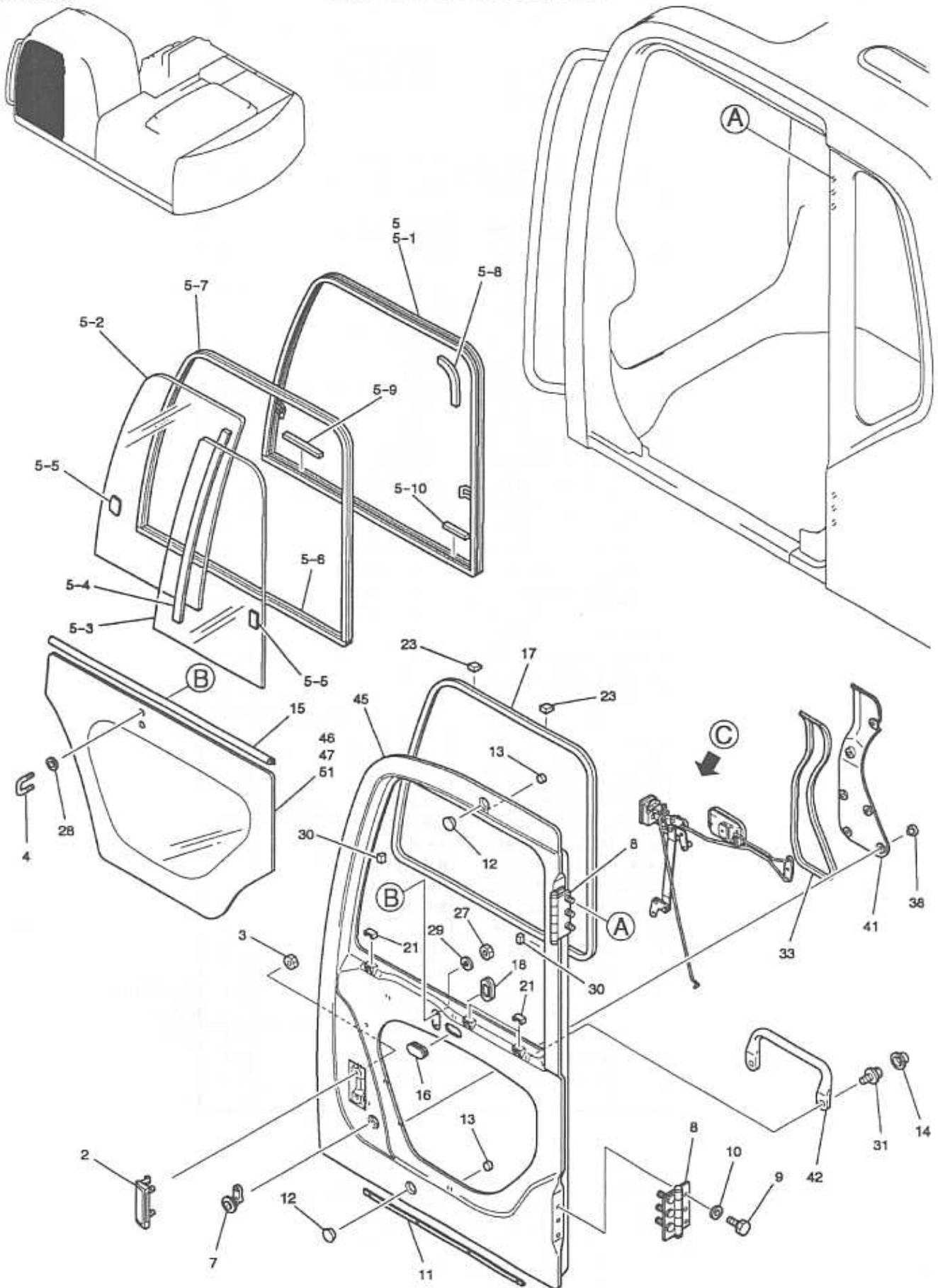


FRONT WINDOW ASSEMBLY

YQ08U0969-

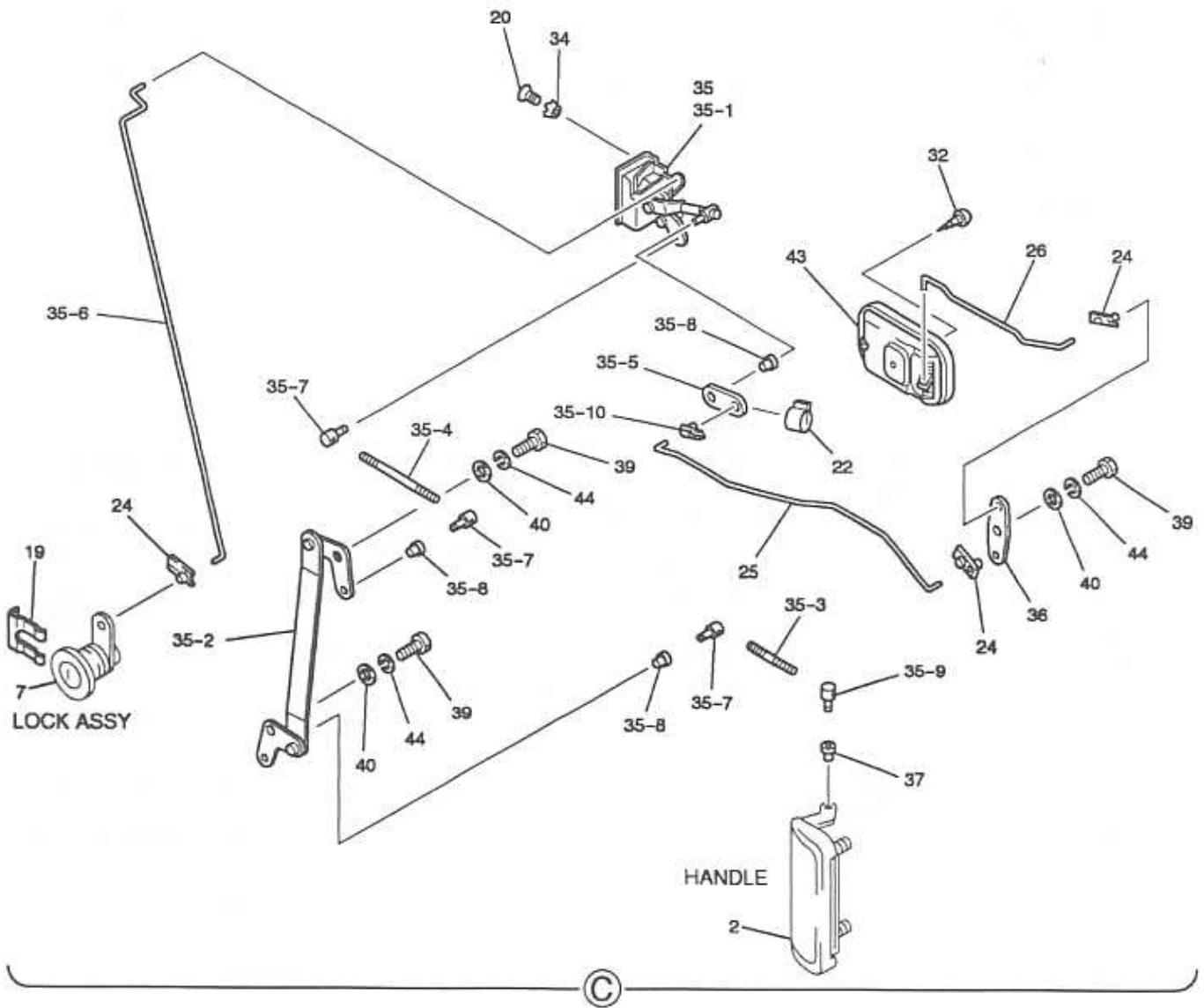
ITEM	PART NUMBER	DESCRIPTION	QTY
	YN50C00003F1	WINDOW ASSY, FRONT	
1	YN50C01049P1	FRAME ASSY	1
2	YN02C01563P1	GLASS	1
3	YN50C01048P1	SEAL	1
4	YJ21C01149P1	CLIP	2
5	YT50C01020P1	RETAINER	3
6	YT50C01042P1	BLOCK, TAPPED	2
7	YT50C01043P1	PLATE	2
8	YN50C01030P1	JOINT	1
9	YN50C01035P1	SEAL	1
10	YN50C01024P1	SEAL	1
11	YT50C01023P1	RUBBER	6
12	YR21C01161P1	WASHER	3 (M9)
13	YT50C01086F2	HANDLE ASSY (LH)	1
13-2	YT50C01065F1	LEVER ASSY	1
13-2A	YT50C01055P1	LEVER ASSY	1
13-2B	YT50C01056P1	LEVER ASSY	1
13-2C	ZR36X00800	RING, SNAP	1
13-3	ZR36X00800	RING, SNAP	1
13-4	YT50C01059P1	SHIM, t1.0	1
13-5	YN50C01041F1	HANDLE ASSY	1
13-5A	YN50C01043P1	HANDLE ASSY	1
13-5B	YT50C01057P1	SPRING	1
13-5C	YN50C01047P1	CAP	1
14	YT50C01087F2	HANDLE ASSY (RH)	1
14-2	YT50C01065F1	LEVER ASSY	1
14-2A	YT50C01055P1	LEVER ASSY	1
14-2B	YT50C01056P1	LEVER ASSY	1
14-2C	ZR36X00800	RING, SNAP	1
14-3	ZR36X00800	RING, SNAP	1
14-4	YT50C01059P1	SHIM, t1.0	1
14-5	YN50C01042F1	HANDLE ASSY	1
14-5A	YN50C01044P1	HANDLE ASSY	1
14-5B	YT50C01057P1	SPRING	1
14-5C	YN50C01047P1	CAP	1
15	YT50C01022P1	SEAL	5
16	YT02C01241D1	BOLT	3
17	ZM66C06016	SEMS-BOLT	6 (M6X16mm)
18	ZW16X14000	WASHER	3 (M14)
19	2420T4505	WASHER	6 (M7)
20	ZR36X00800	RING, SNAP	2
21	YT50C01012P1	ROLLER	4

CAB DOOR ASSEMBLY



CAB DOOR ASSEMBLY

YQ08U0969~



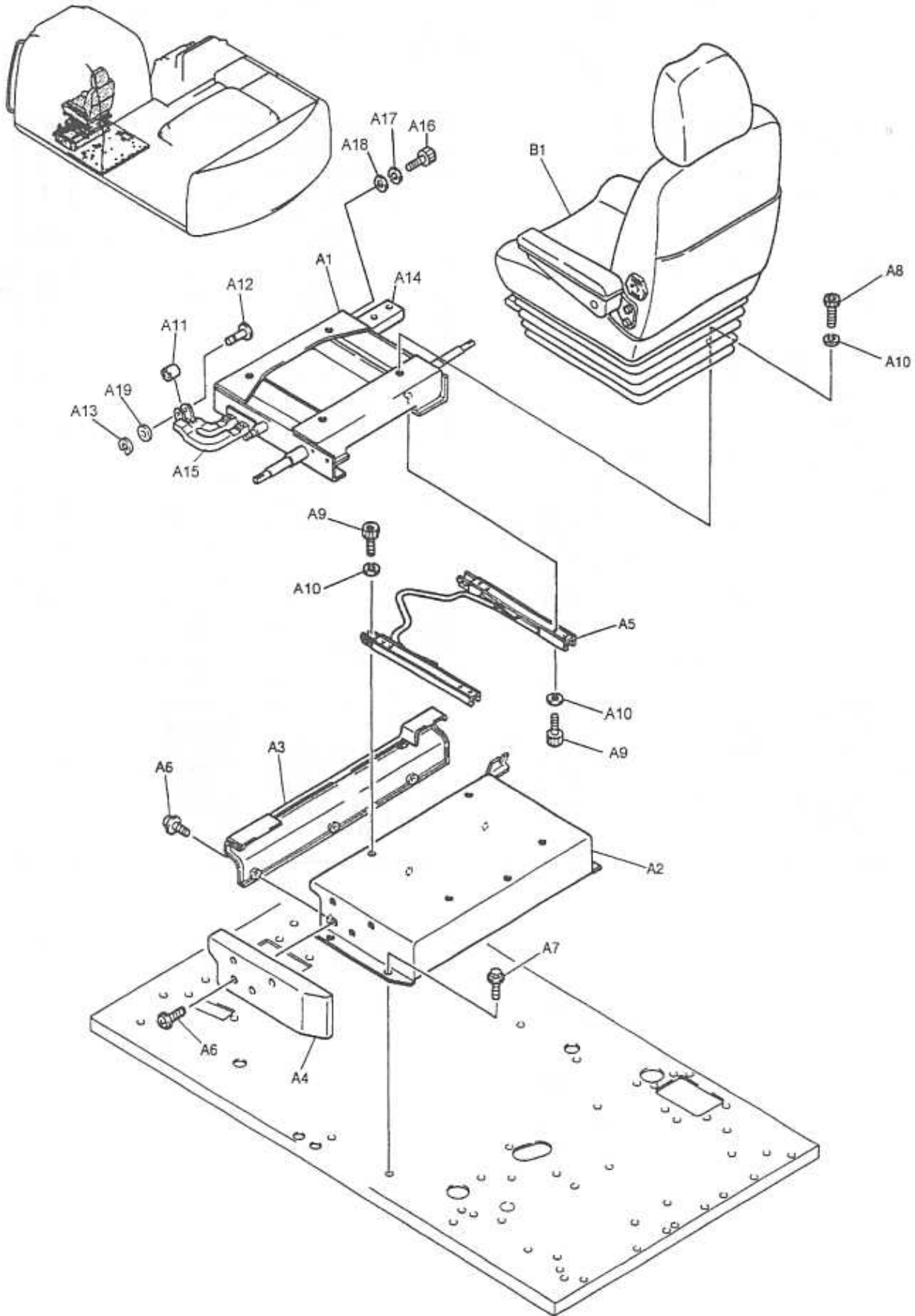
CAB DOOR ASSEMBLY

YQ08U0969-

ITEM	PART NUMBER	DESCRIPTION	QTY
	YN51C00010F2	DOOR ASSY, CAB	
2	YN51C01045P1	HANDLE	1
3	HN16C06000G1	NUT	2
4	YN51C01043P1	HOOK	1
5	YN02C02034F1	SASH ASSY	1
5-1	YN02C02034S001	FRAME ASSY	1
5-2	YN02C02035P1	GLASS	1
5-3	YN02C02036P1	GLASS	1
5-4	YN02C02034S004	SEAL	1
5-5	YN02C02034S005	LOCK ASSY	2
5-6	YN02C02034S006	SEAL	1
5-7	YN02C02034S007	SEAL	1
5-8	YN02C02034S008	STOPPER	1
5-9	YN02C02034S009	STOPPER	1
5-10	YN02C02034S010	STOPPER	1
7	YN51C01093P2	LOCK ASSY	1
8	YN02C01635P1	HINGE	2
9	ZS13C10025	CAPSCREW	6 (M10X25mm)
10	ZW11X10000	WASHER	6 (M10)
11	YN51C01023P1	SEAL	1
12	YT51C01065D1	PLATE	2
13	YT02C01261D4	PLATE	2
14	YT02C01233P1	CAP	2
15	YN51C01055P1	TRIM	1
16	YT02C01246P1	PLATE	1
17	YN51C01051P1	RUBBER	1
18	YT51C01039P1	GROMMET	1
19	YT51C01029P1	CLIP	1
20	ZS41C06016	MACHINESCREW	3 (M6X16mm)
21	YN51C01030P1	RUBBER	3
22	YN51C01054P1	RUBBER	1
23	YN51C01053P1	RUBBER	2
24	YN51C01040P1	HOLDER	3

ITEM	PART NUMBER	DESCRIPTION	QTY
25	YN51C01016P1	ROD	1
26	YN51C01015P1	ROD	1
27	ZN18C08007	NUT	2 (M8)
28	YT51C01068P1	SPACER	2
29	ZW26X08000	LOCK WASHER	2 (M8)
30	YN51C01031P1	RUBBER	2
31	ZM27C10025	SEMS-BOLT	2 (M10X25mm)
32	YN17M01033D3	MACHINE SCREW	1 (M5X10mm)
33	YT02C01295D2	RUBBER	1
34	YT02C01230P1	WASHER	3 (M6)
35	YN51C01095F1	LINK ASSY	1
35-1	YT51C01027P1	LOCK	1
35-2	YN51C01024P1	LINK	1
35-3	YN51C01014P1	ROD	1
35-4	YN51C01013P1	ROD	1
35-5	YN51C01018P1	PLATE	1
35-6	YN51C01094P1	ROD	1
35-7	YT51C01017P1	PIN	3
35-8	YN51C01032P1	HOLDER	3
35-9	YT51C01016P1	PIN	1
35-10	YN51C01040P1	HOLDER	1
36	YN51C01019P1	PLATE	1
37	YT51C01018P1	HOLDER	1
38	YT02C01296P1	RIVET	6
39	YT02C01241D1	BOLT	3
40	YN51C01052P1	WASHER	3 (M11)
41	YN51C01042P1	COVER	1
42	YN51C01046P1	HANDLE	1
43	YN51C01028P1	HANDLE	1
44	ZW16X08000	WASHER	3 (M6)
45	YN51C01097P1	PANEL ASSY	1
46	YN51C01096P1	GLASS	1
47	YT02C01514D4	SEAL	1
51	YT02C01515D3	TRIM	1

SEAT GROUP

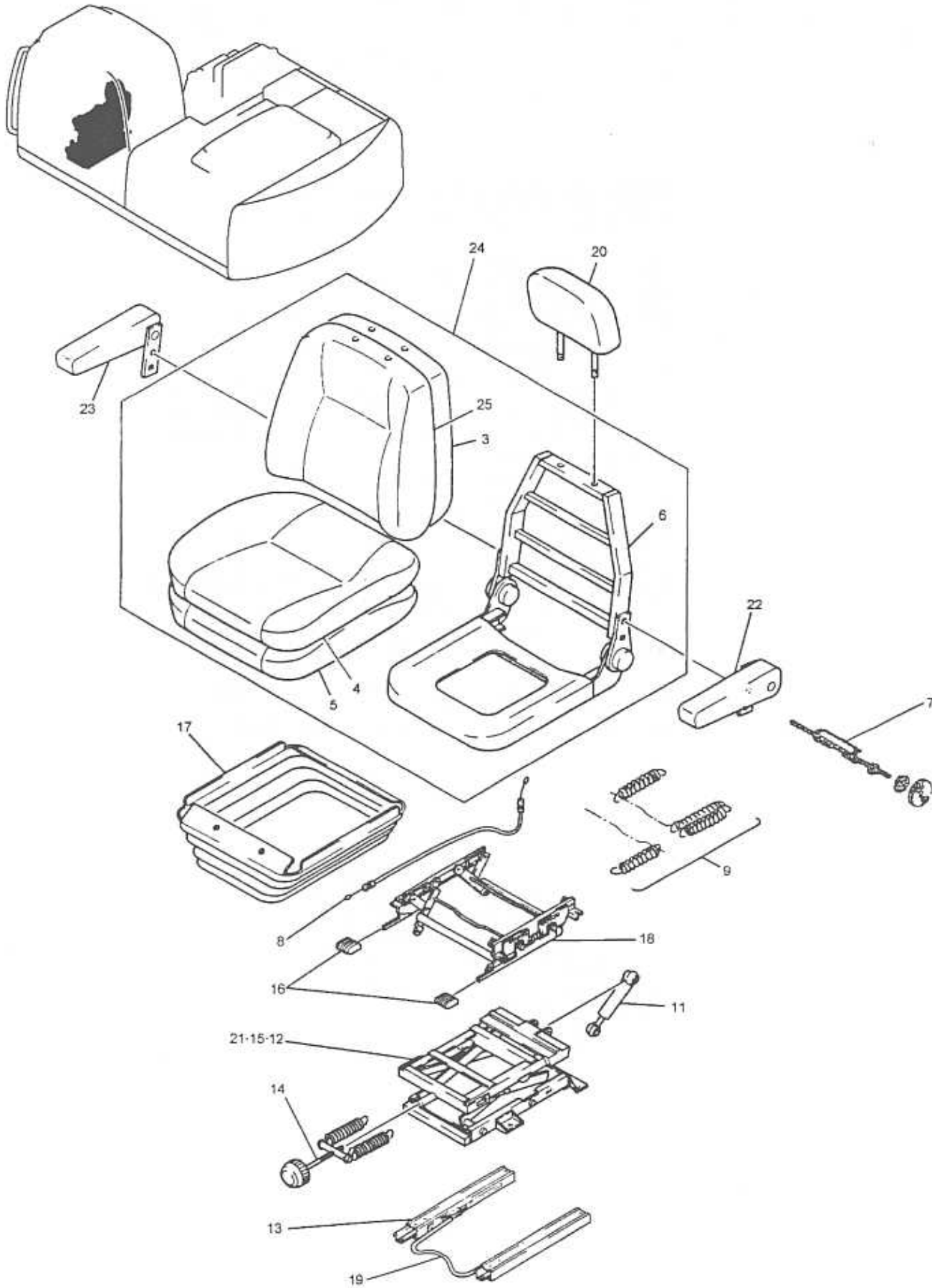


SEAT GROUP

YQ08U0969~

ITEM	PART NUMBER	DESCRIPTION	QTY	
	YN25M00039F1	SEAT GROUP		
A1	YN25M01089P1	SUPPORT	1	
A2	YN25M01086P1	STAND, SEAT	1	
A3	YN25M01055P1	COVER	1	
A4	YN25M01053P1	COVER	1	
A5	YN25M01074F1	RAIL	1	
A6	ZM46C06016	SEMS-BOLT	9	(M6X16mm)
A7	ZM22C10025	SEMS-BOLT	4	(M10X25mm)
A8	ZS28C08014	CAPSCREW	4	(M8X14mm)
A9	ZS28C08020	CAPSCREW	8	(M8X20mm)
A10	ZW26K08000	LOCK WASHER	12	(M8)
A11	YT03M01066P1	ROLLER	1	
A12	YT03M01065P1	PIN	1	
A13	ZR36X00700	RING, SNAP	1	
A14	YN25M01068P1	BRACKET	1	
A15	YN25M01078P1	BRACKET	1	
A16	ZS18C10025	CAPSCREW	2	(M10X25mm)
A17	ZW26X10000	LOCK WASHER	2	(M10)
A18	ZW16X10000	WASHER	2	(M10)
A19	ZW16X08000	WASHER	1	(M8)
B1	LC25M00001F2	SEAT ASSY	1	See 180-01-1

SEAT ASSEMBLY

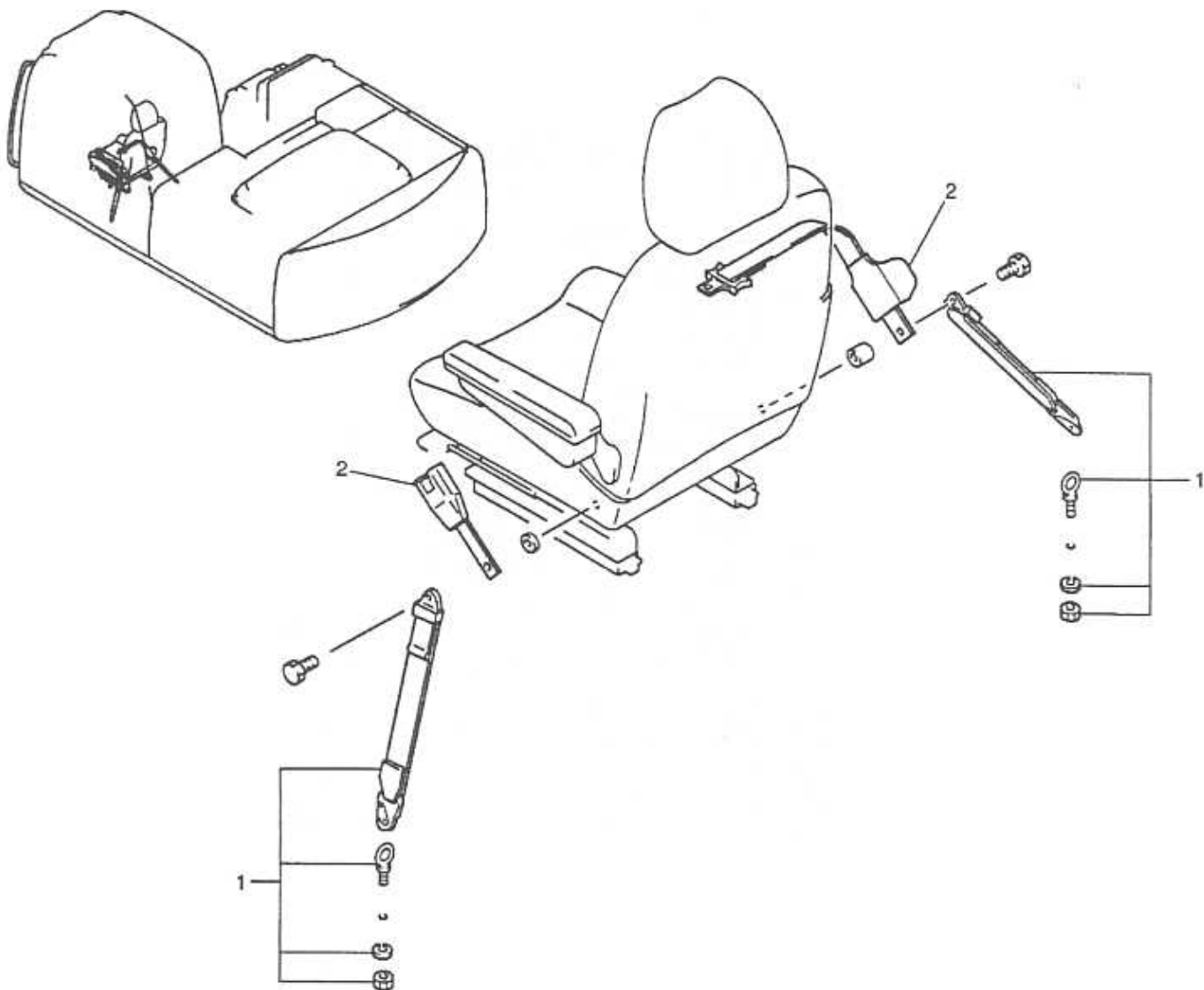


SEAT ASSEMBLY

YQ08U0969-

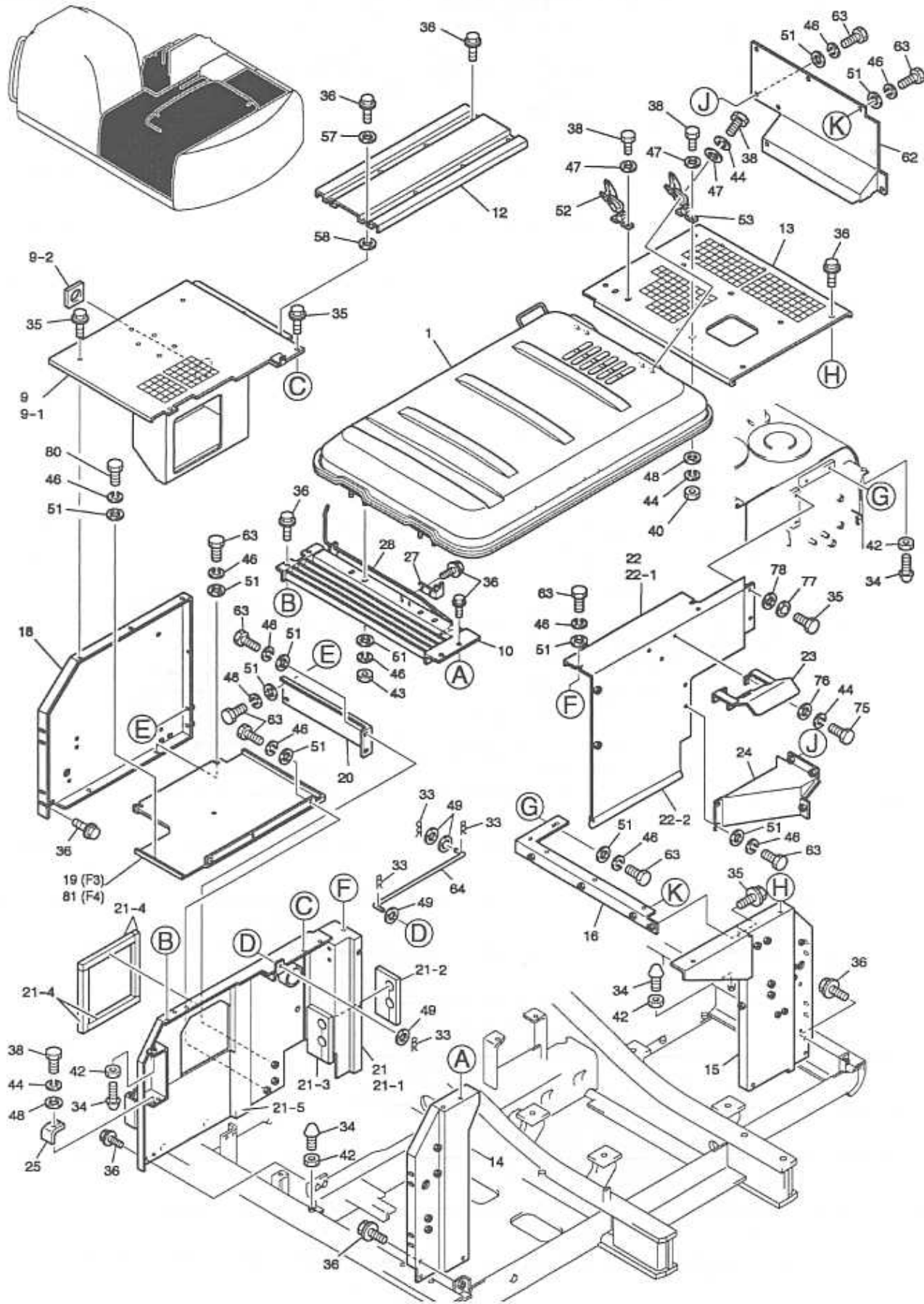
ITEM	PART NUMBER	DESCRIPTION	QTY
	LC25M00001F2	SEAT ASSY	
3	LC25M00001S003	PAD KIT	1
4	YN25M00015S004	COVER	1
5	LC25M00001S005	FOAM, SEAT	1
6	LC25M00001S006	FRAME	1
7	LC25M00001S007	ADJUSTER	1
8	YN25MU0001S007	CABLE	1
9	LC25M00001S009	SPRING KIT	1
11	2448U167S15	DAMPER	1
12	2448U168S11	SPRING	1
13	2448U168S12	RAIL	1
14	2448U167S12	ADJUSTER	1
15	2448U167S16	STOPPER	1
16	YN25M00008S014	ADJUSTER	1
17	LC25M00001S017	COVER	1
18	LC25M00001S018	ADJUSTER	1
19	LC25M00005S018	HANDLE	1
20	LC25M00001S020	SUPPORT	1
21	2448U167S18	BEARING	1
22	YN25M00015S010	SUPPORT	1
23	YN25M00015S011	SUPPORT	1
24	LC25M00001S024	SEAT ASSY	1
25	LC25M00001S025	COVER	1

SEAT BELT ASSEMBLY BELT ASSY, SEAT



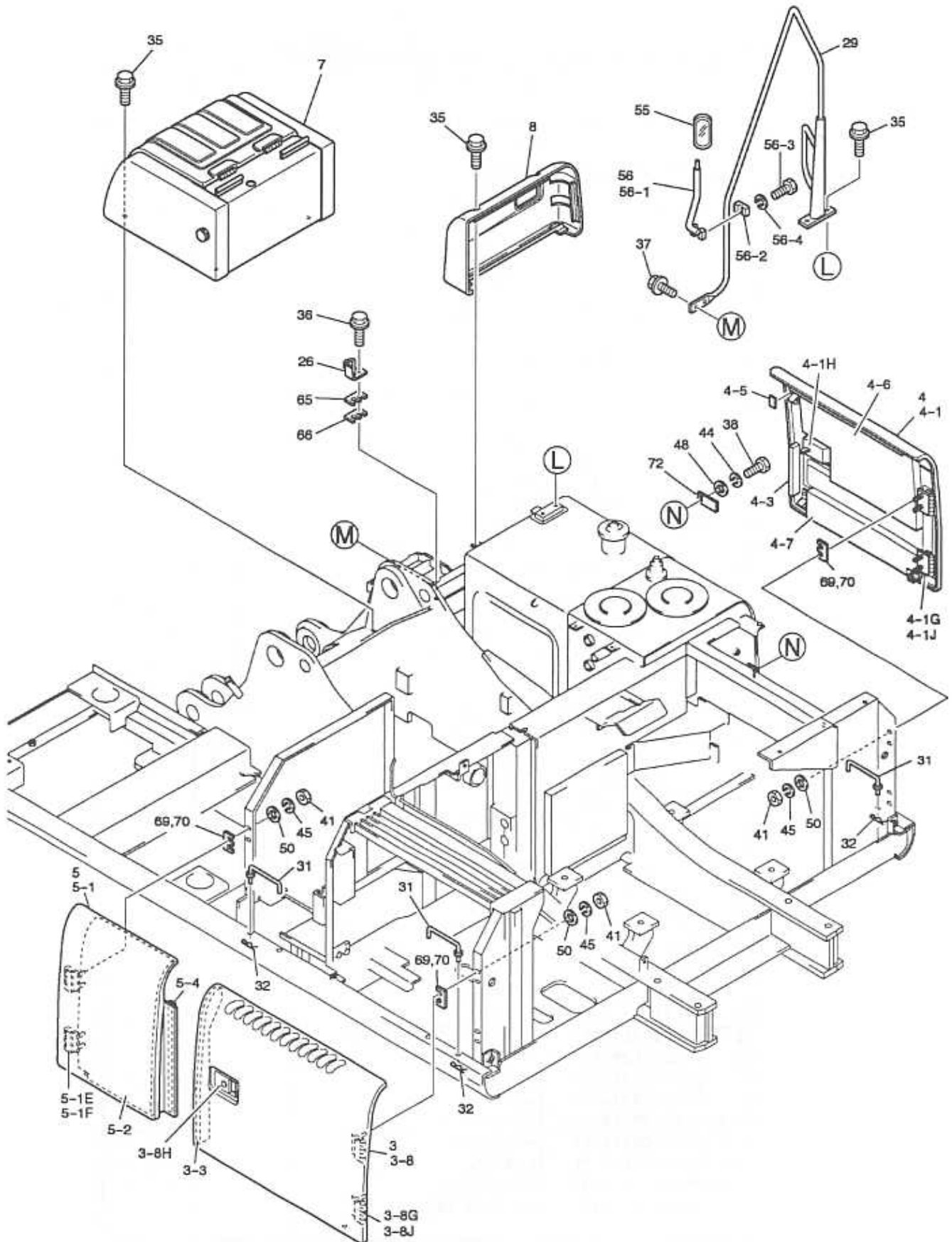
ITEM	PART NUMBER	DESCRIPTION	QTY
	YN25M00026F1	SEAT BELT ASSY	
1	2448U116F1	BELT, ANCHOR	2
2	YN25M00025F1	BELT ASSY, SEAT	1

GUARD INSTALLATION



GUARD INSTALLATION

YQ08U0969-



GUARD INSTALLATION

ITEM	PART NUMBER	DESCRIPTION	QTY			
		GUARD INSTAL				
	YN21C00070F1	GUARD INSTAL (Base for all)	F1	-	-	-
	YN21C00070F2	GUARD INSTAL (STD - add to base)	-	F2	-	-
	YN21C00070F3	GUARD INSTAL (w/o Pattern Change- add to base)	-	-	F3	-
	YN21C00070F4	GUARD INSTAL (Pattern Change - add to base)	-	-	-	F4
1	YN22C00015F3	BONNET ASSY	1	-	-	-
3	YN21C01994F4	PANEL ASSY	-	1	-	-
3-3	YN21C02047P1	RUBBER	-	1	-	-
3-8	YN21C02201P1	PANEL	-	1	-	-
3-8G	YN21C01658P1	HINGE	-	2	-	-
3-8H	2427R703F2	LOCK	-	1	-	-
3-8J	ZS11C10025	CAPSCREW (M10X25mm)	-	4	-	-
4	YN21C01995F2	PANEL ASSY	-	1	-	-
4-1	YN21C01996P1	PANEL	-	1	-	-
4-1G	YN21C01658P1	HINGE	-	2	-	-
4-1H	2427R703F1	LOCK	-	1	-	-
4-1J	ZS11C10025	CAPSCREW (M10X25mm)	-	4	-	-
4-3	YN21C02048P1	RUBBER	-	1	-	-
4-5	YN21C01814D1	RUBBER	-	1	-	-
4-6	YN21C02167P1	INSULATION	-	1	-	-
4-7	YN21C02168P1	INSULATION	-	1	-	-
5	YN21C01676F3	PANEL ASSY	-	1	-	-
5-1	YN21C01656P1	PANEL	-	1	-	-
5-1E	YN21C01658P1	HINGE	-	2	-	-
5-1F	ZS11C10030	CAPSCREW (M10X30mm)	-	4	-	-
5-2	YN21C01677P1	INSULATION	-	1	-	-
5-4	YN21C02128D1	RUBBER	-	1	-	-
7	YN21C02006F2	COVER ASSY	1	-	-	-
8	YN21C02180P1	GUARD	1	-	-	-
9	YN21C02161F1	GUARD ASSY	1	-	-	-
9-1	YN21C02159P1	GUARD	1	-	-	-
9-2	YN21C01700P1	INSULATION	1	-	-	-
10	YN21C02011P1	GUARD	1	-	-	-
12	YN21C01701P1	GUARD	1	-	-	-
13	YN21C02012P1	GUARD	1	-	-	-
14	YN21C02013P1	BRACKET	1	-	-	-
15	YN21C02198P1	BRACKET	1	-	-	-
16	YN21C02015P1	BRACKET	1	-	-	-
18	YN21C02162P1	BRACKET	1	-	-	-
19	YN21C02158P1	GUARD (w/o Pattern Change)	-	-	1	-
20	YN21C02018P1	GUARD	1	-	-	-
21	YN21C02165F1	GUARD ASSY	1	-	-	-
21-1	YN21C02164P1	GUARD	1	-	-	-
21-2	YN21C02106P1	INSULATION	1	-	-	-
21-3	YN21C02022P1	INSULATION	1	-	-	-
21-4	YN21C02023P1	RUBBER	4	-	-	-
21-5	YN21C02024P1	INSULATION	1	-	-	-
22	YN21C02020F2	GUARD ASSY	1	-	-	-

See 210-01-1

See 200-01-1

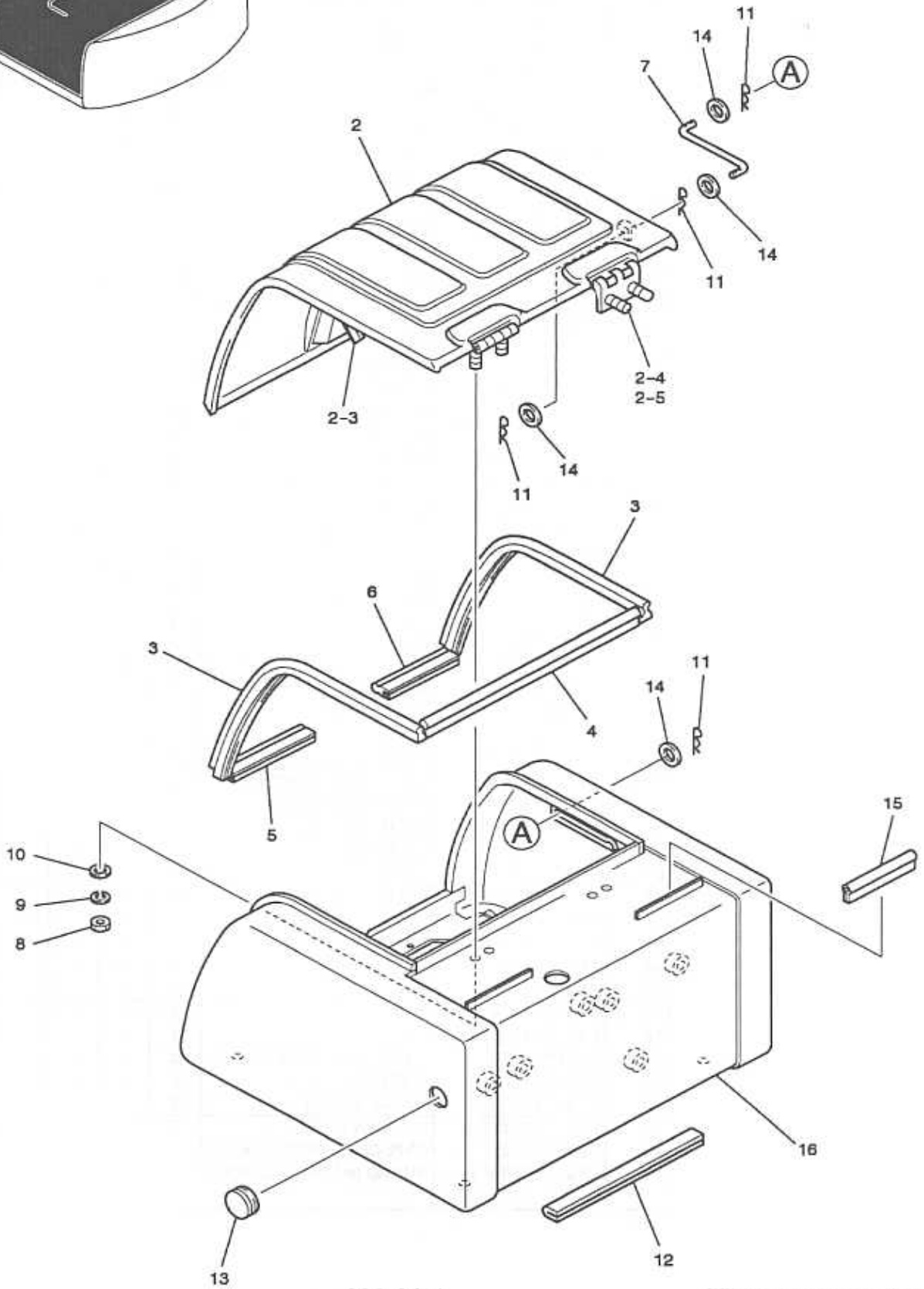
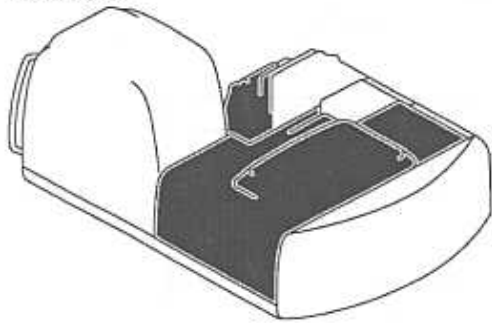
GUARD INSTALLATION

YQ08U0969-

ITEM	PART NUMBER	DESCRIPTION	QTY			
22-1	YN21C02025P1	GUARD	1	-	-	-
22-2	YN21C01710D1	STRIP, WEATHER	1	-	-	-
23	YN21C02026P1	COVER	1	-	-	-
24	YN21C02027P1	GUARD	1	-	-	-
25	YN21C01714P1	PLATE	1	-	-	-
26	YN21C02115P1	STRIKER	1	-	-	-
27	YN21C02029P1	PLATE	1	-	-	-
28	YN21C02030P1	SPRING	1	-	-	-
29	YN21C01820P1	HANDRAIL	1	-	-	-
31	2416T6289D2	STAY	3	-	-	-
32	2419R9D2	PIN	3	-	-	-
33	2419R9D4	PIN	4	-	-	-
34	YN21C01321P1	STOPPER	4	-	-	-
35	ZM32C12025	SEMS-BOLT (M12X25mm)	15	-	-	-
36	ZM32C12030	SEMS-BOLT (M12x30mm)	33	-	-	-
37	YN02C01299P1	SEMS-BOLT (M12X35mm)	2	-	-	-
38	ZS18C08025	CAPSCREW (M8X25mm)	12	-	-	-
40	ZN18C08007	NUT (M8)	4	-	-	-
41	ZN18C10008	NUT (M10)	12	-	-	-
42	ZN18F10008	NUT (M10)	4	-	-	-
43	ZN18C12010	NUT (M12)	4	-	-	-
44	ZW26X08000	LOCK WASHER (M8)	15	-	-	-
45	ZW26X10000	LOCK WASHER (M10)	12	-	-	-
46	ZW26X12000	LOCK WASHER (M12)	30	-	-	-
47	ZW16X08000	WASHER (M8)	8	-	-	-
48	ZW16H08000	WASHER (M8)	8	-	-	-
49	ZW16X12000	WASHER (M12)	4	-	-	-
50	2418T12346	WASHER (M11)	12	-	-	-
51	2418T10357	WASHER (M13)	30	-	-	-
52	2427R475	CATCH (Front)	1	-	-	-
53	2427R302D2	CATCH (Rear)	1	-	-	-
55	2456R351	MIRROR	1	-	-	-
56	24100P3750F1	STAY ASSY	1	-	-	-
56-1	2416P18523	STAY	1	-	-	-
56-2	2432T4113D2	CLAMP	1	-	-	-
56-3	ZS18C08040	CAPSCREW (M8X40mm)	2	-	-	-
56-4	ZW26X08000	LOCK WASHER (M8)	2	-	-	-
57	YN21C01395P1	WASHER (M23)	2	-	-	-
58	YN21C01396P1	WASHER (M13)	2	-	-	-
62	YN21C02028P1	GUARD	1	-	-	-
63	ZS18C12025	CAPSCREW (M12X25mm)	24	-	-	-
64	YN21C02031P1	STAY	1	-	-	-
65	YN21C01720D1	SPACER	1	-	-	-
66	YN21C01720D2	SPACER	1	-	-	-
69	YN21C01174D1	SPACER	6	-	-	-
70	YN21C01174D2	SPACER	6	-	-	-
72	YN21C01976P1	PLATE	1	-	-	-
75	ZS18C08020	CAPSCREW (M8X20mm)	3	-	-	-
76	YR21C01161P1	WASHER (M9)	3	-	-	-
77	YN21C02138P1	WASHER (M12)	2	-	-	-
78	YN21C02147P1	WASHER (M18)	2	-	-	-
80	ZS18C12030	CAPSCREW (M12X30mm)	2	-	-	-
81	YN21C02166P1	GUARD (w/ Pattern Change)	-	-	-	1

YQ08U0969-

COVER ASSEMBLY



200-01-1

SK210LC-6E DA.mc PM, REV.0 09/02

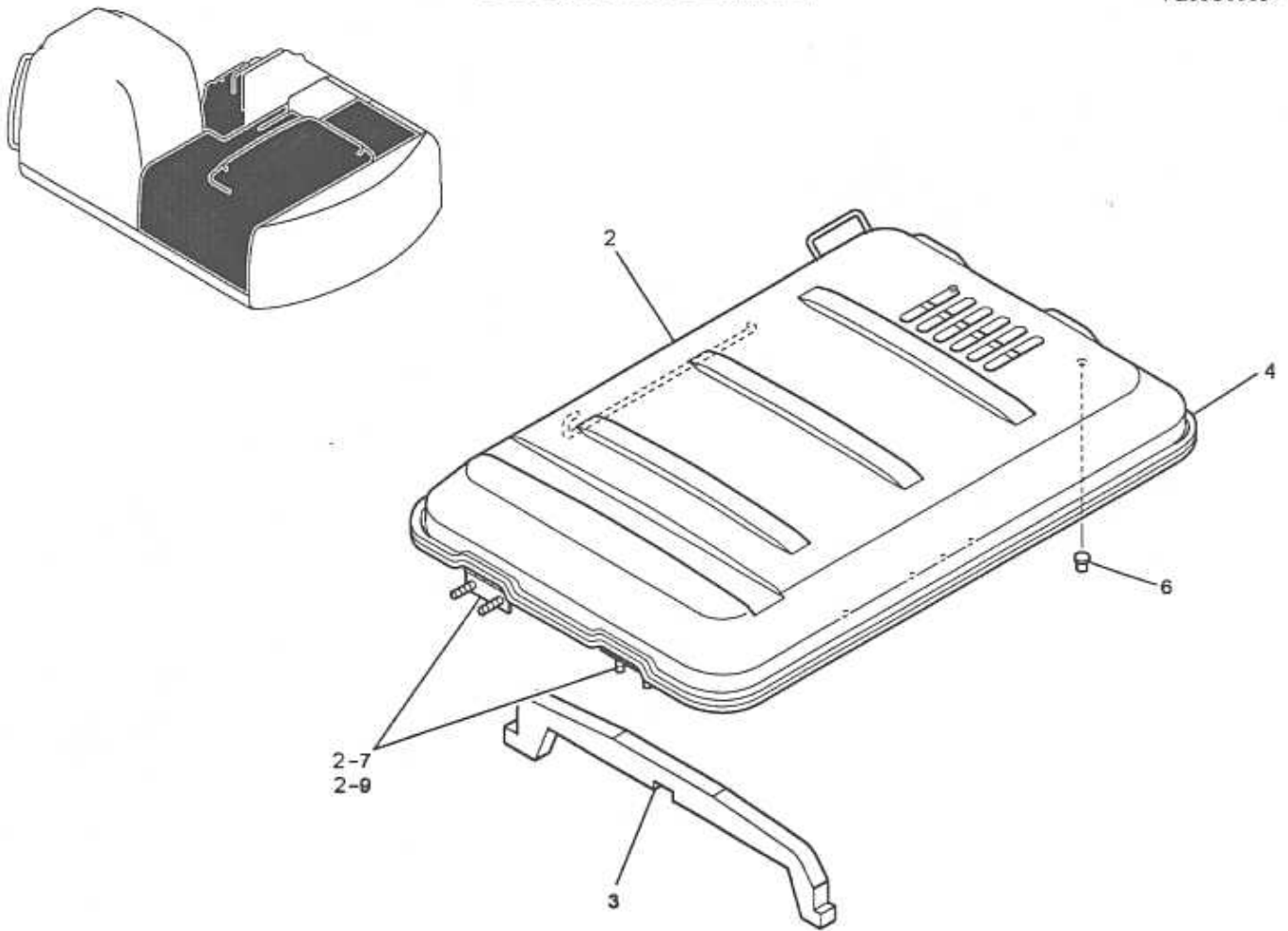
COVER ASSEMBLY

YQ08U0969~

ITEM	PART NUMBER	DESCRIPTION	QTY	
	YN21C02006F2	COVER ASSY		
2	YN21C02002P1	COVER	1	
2-3	YW21C01357P1	LOCK	1	
2-4	YN21C02004P1	HINGE	2	
2-5	ZS11C10025	CAPSCREW	4	(M10X25mm)
3	YN21C01712D1	STRIP, WEATHER	2	
4	YN21C01712D2	STRIP, WEATHER	1	
5	YN21C01712D3	STRIP, WEATHER	1	
6	YN21C01712D4	STRIP, WEATHER	1	
7	YN21C02005P1	STAY	1	
9	ZW26X10000	LOCK WASHER	4	(M10)
10	ZW16X10000	WASHER	4	(M10)
11	2419R9D1	PIN	4	
12	YJ21C01146DB	TRIM	1	
13	2420R429D11	GROMMET	1	
14	ZW16X08000	WASHER	4	(M8)
15	2427P1836D35	STRIP, WEATHER	2	
16	YN21C02179P1	BOX	1	

BONNET ASSEMBLY

YQ08U0969-

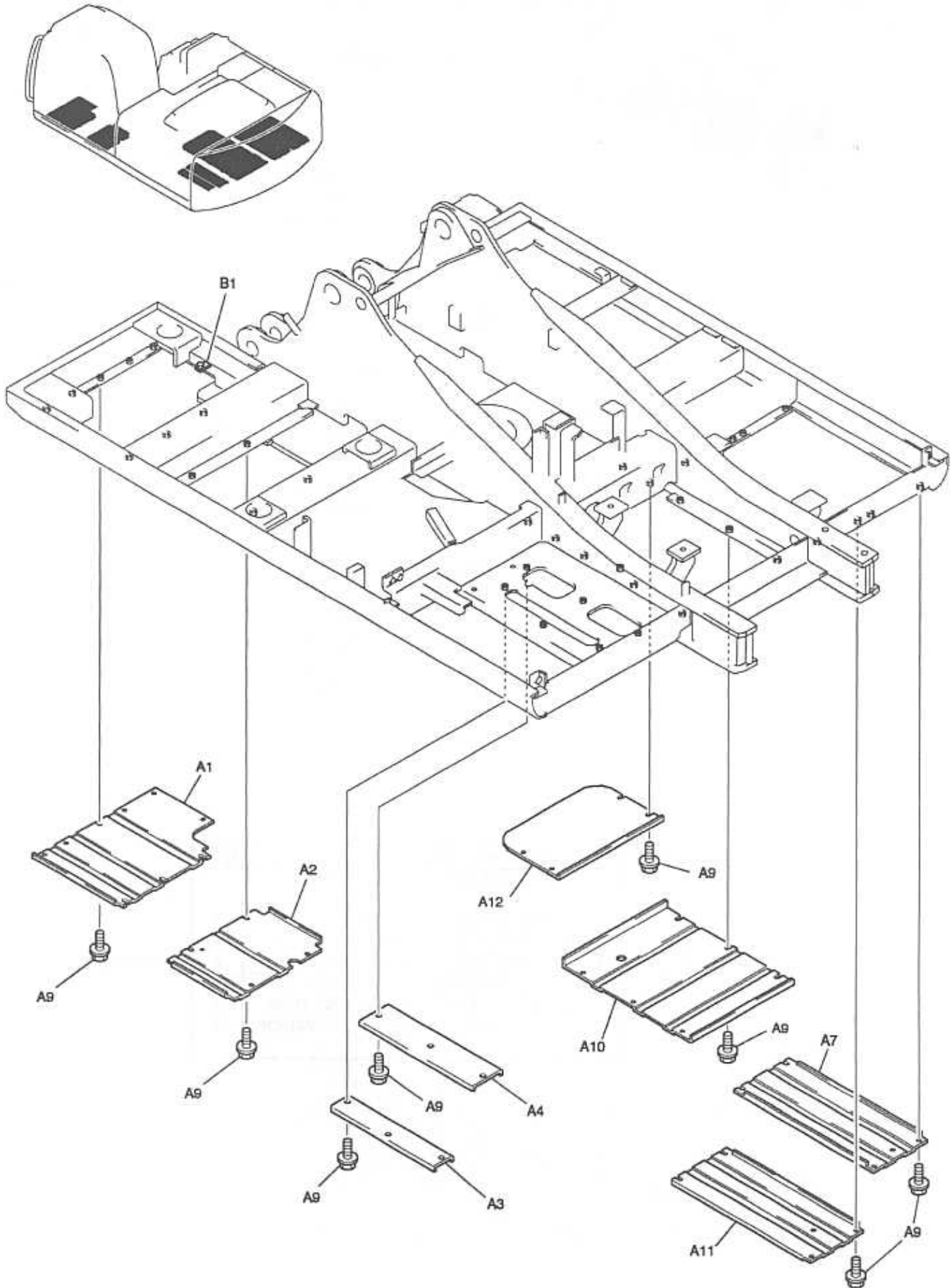


ITEM	PART NUMBER	DESCRIPTION	QTY
	YN22C00015F3	BONNET ASSY	
2	YN22C01140P1	BONNET	1
2-7	LC22C01028P1	HINGE	2
2-9	ZS11C12030	CAPSCREW	4
3	YN22C01125P2	INSULATION	1
4	YN22C01099D1	STRIP, WEATHER	1
6	2416T13435	RUBBER, CUSHION	2

(M12X30mm)

YQ08U0969~

UNDER COVER ASSEMBLY



222-01-1

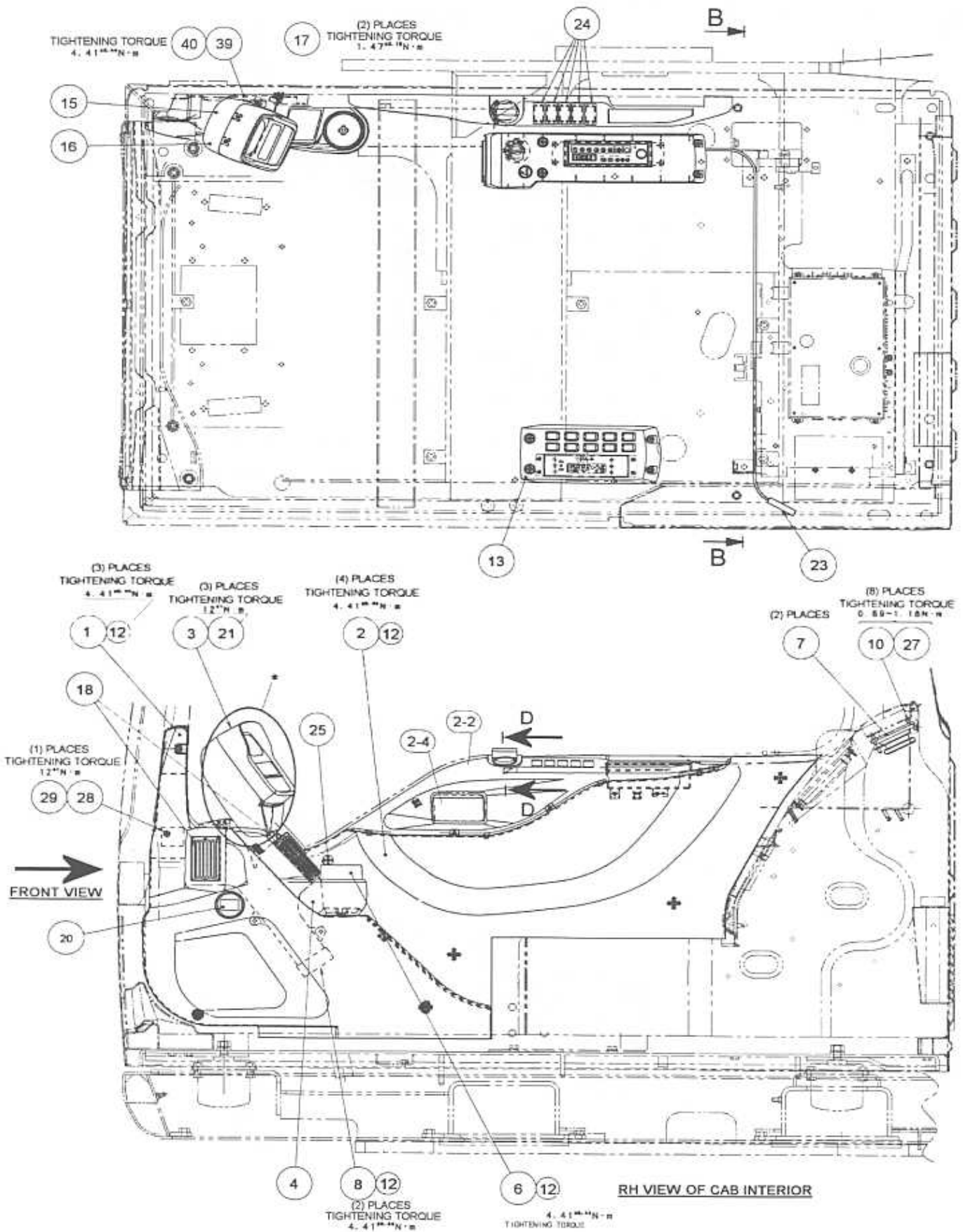
SK210LC-6E DA mc PM, REV.0 09/02

UNDER COVER ASSEMBLY

YQ08U0969-

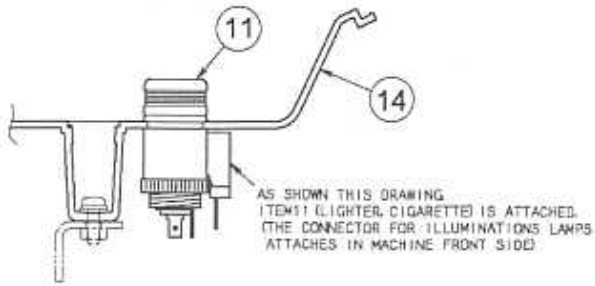
ITEM	PART NUMBER	DESCRIPTION	QTY
	YN24C00022F2	COVER ASSY, UNDER	
A1	YN24C01210P2	COVER	1
A2	YN24C01211P1	COVER	1
A3	YN24C01157P1	COVER	1
A4	YN24C01158P1	COVER	1
A7	YN24C01220P2	COVER	1
A9	ZM32C12030	SEMS BOLT	37
A10	YN24C01218P1	COVER	1
A11	YN24C01219P2	COVER	1
A12	YN24C01212P1	COVER	1
B1	2416T13049D6	BLOCK, TAPPED	1

INSTRUMENT PANEL ASSEMBLY

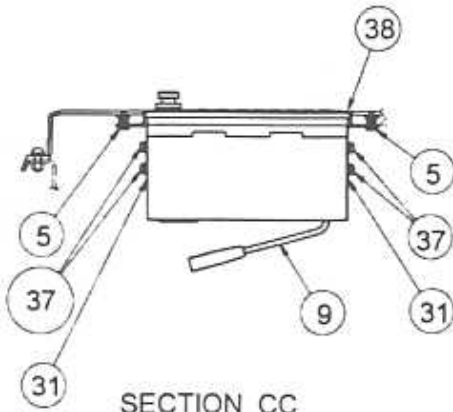


INSTRUMENT PANEL ASSEMBLY

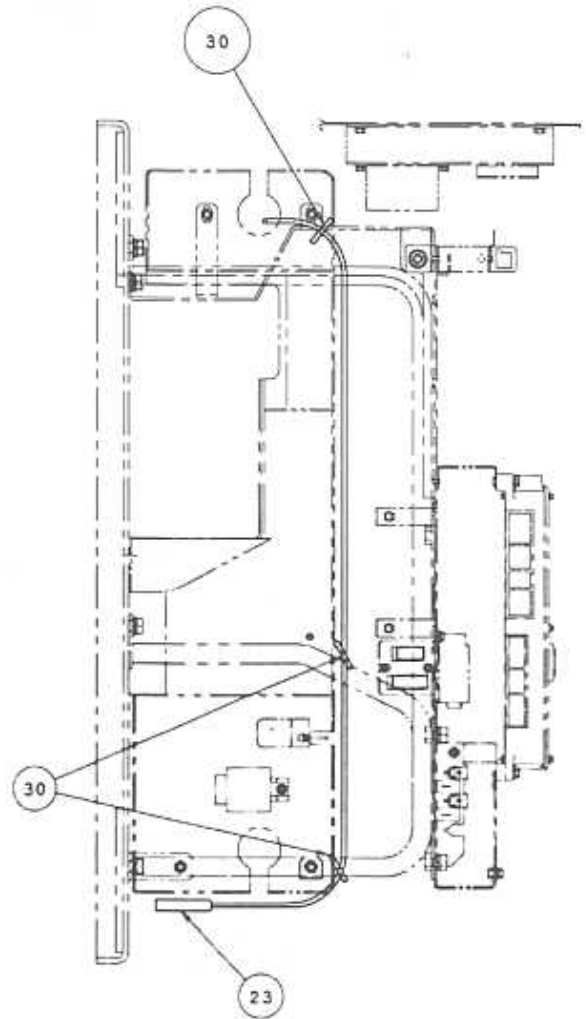
YQ08U0969-



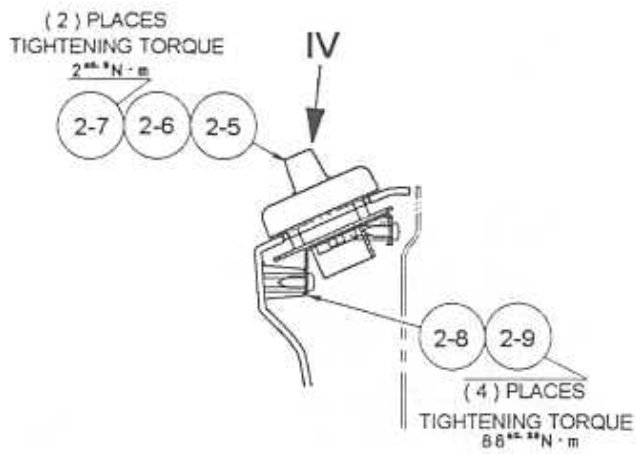
SECTION AA



SECTION CC

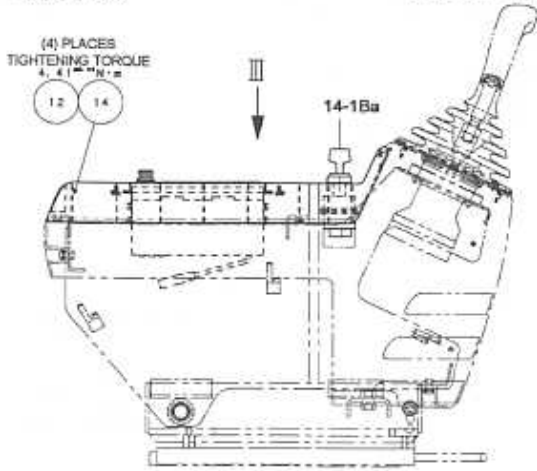


SECTION BB

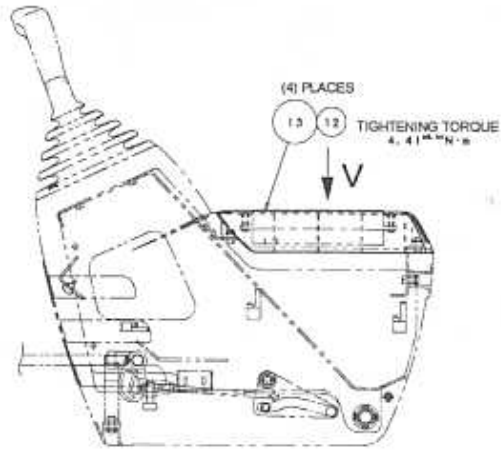


SECTION DD

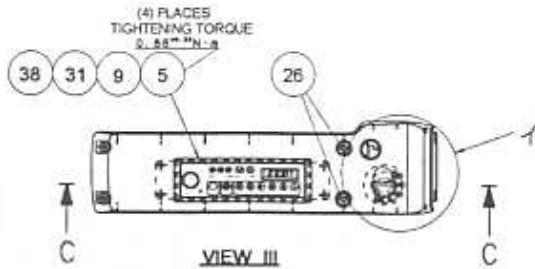
INSTRUMENT PANEL ASSEMBLY



VIEW I



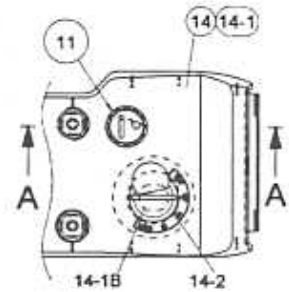
VIEW II



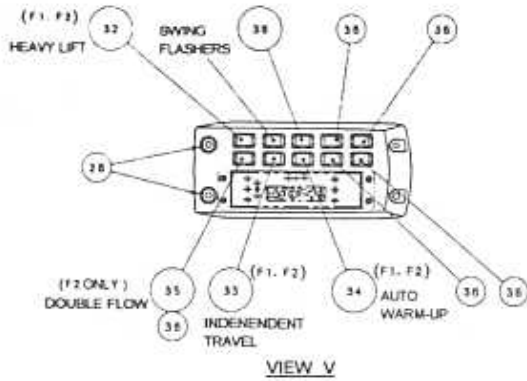
VIEW III



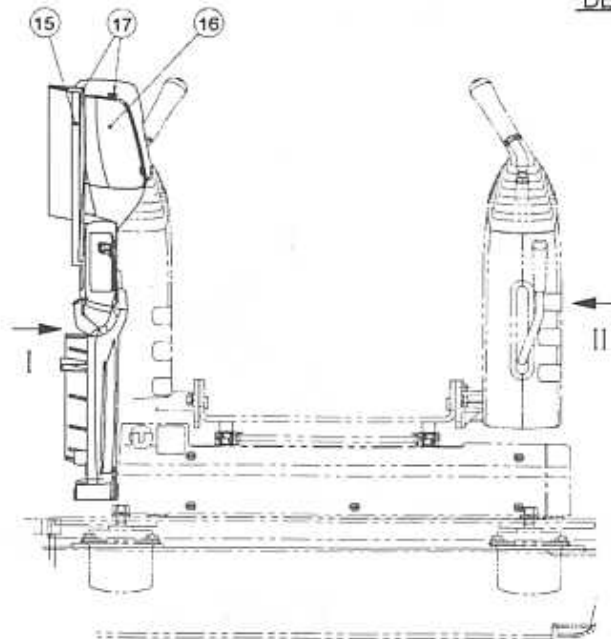
VIEW IV



DETAIL 1



VIEW V



FRONT VIEW

INSTRUMENT PANEL ASSEMBLY

ITEM	PART NUMBER	DESCRIPTION	QTY	
	YN17M00033F1	PANEL ASSY, INSTRUMENT (STD)	F1	-
	YN17M00033F2	PANEL ASSY, INSTRUMENT (N&B)	-	F2
1	YN17M01144P1	COVER (RH Front)	1	1
2	YN17M01145F1	COVER (RH Side)	1	1
2-1	YN17M01146P1	COVER	1	1
2-2	YN17M01115P1	COVER (Switch Panel)	1	1
2-3	YN17M01116P1	COVER (Pocket)	1	1
2-4	YN02C02055P1	TRAY, ASH	1	1
2-5	YN52S00032P1	POTENTIOMETER (Accel)(SE-16)	1	1
2-6	ZS31C04012	MACHINE SCREW (M4X12mm)	2	2
2-7	ZW16K04000	WASHER (M4)	2	2
2-8	YN17M01128P1	BRACKET	1	1
2-9	YN02C01877D2	SCREW, TAPPING	4	4
2-10	YN17M01069P1	LABEL	1	1
3	YN59E00012F1	GAUGE ASSY, CLUSTER	1	1
3-1	YN59S00014F1	GAUGE, CLUSTER (C-2)	1	
3-2	YN17M01140P2	BRACKET	1	
3-3	ZM41C05012	SEMS-BOLT (M5X12mm)	4	4
4	YN17M01147P1	COVER (A/C Duct Cover)	1	1
5	YN02C01877D2	SCREW, TAPPING	4	4
6	YN17M01148P1	COVER (Cup Holder)	1	1
7	YN54S00006P1	SPEAKER (E-8: LH; E-9: RH)	2	2
8	YN20M01380P1	DUCT (A/C & Def)	1	1
9	LB54S00001P1	TUNNER (AM/FM)(E-7)	1	1
10	ZS32T40012	CROSS TAPPING SCREW	8	8
11	YN81S00002P1	LIGHTER, CIGARETTE (E-14)	1	1
12	ZM46C06020	SEMS-BOLT (M6X20mm)	18	18
13	YN17M01149P1	COVER (Upper LH Ctrl Box)	1	1

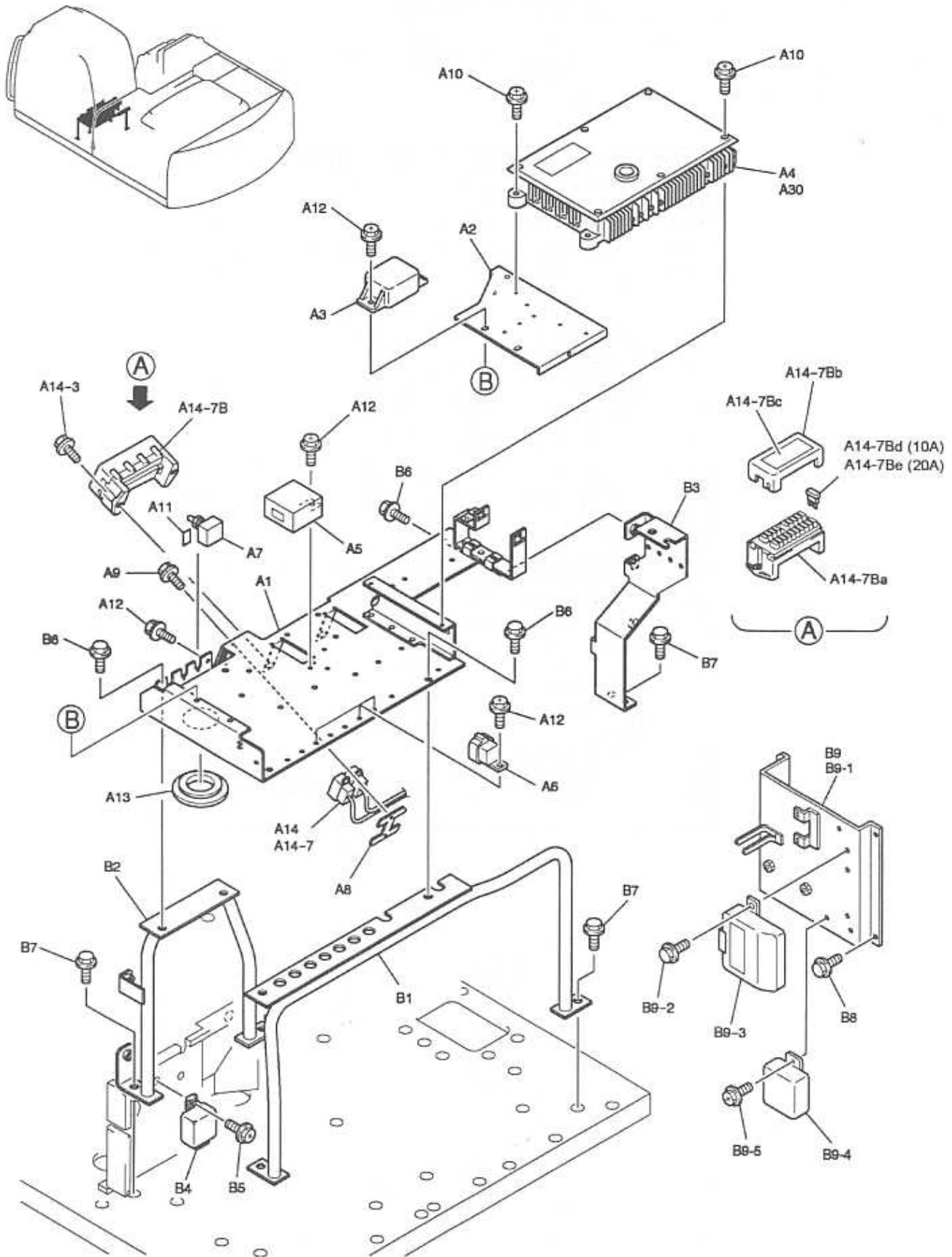
INSTRUMENT PANEL ASSEMBLY

YQ08U0969-

ITEM	PART NUMBER	DESCRIPTION	QTY	
14	YN17M01152F1	COVER ASSY (Upper RH Ctrl Box)	1	1
14-1	YN17M01135F1	COVER ASSY	1	1
14-1A	YN17M01123P1	COVER	1	1
14-1B	YN50S00026F1	SWITCH ASSY, IGNITION (SW-1)	1	1
14-1Ba	YN50S01010P1	KEY	1	1
14-2	YN17M01070P1	LABEL (Ignition Switch)	1	1
15	YN17M01150P1	COVER (RH Cluster)	1	1
16	YN17M01151P1	COVER (LH Cluster)	1	1
17	LC02C01004D2	SCREW, TAPPING	2	2
18	YN20M01356P1	GRILLE	2	2
20	YN58S00006P1	METER, HOUR (E-3)	1	1
21	ZM61C08020	SEMS-BOLT (M8X20mm)	3	3
23	YN17M01072P1	CABLE (Radio)	1	1
24	YN17M01132P1	CAP	5	5
25	YN17M01055D2	CAP (Light Gray)	1	1
26	YN17M01055D4	CAP (Dark Gray)	4	4
27	ZW16P04000	WASHER (M4)	8	8
28	ZS11C08016	CAPSCREW (M8X16mm)	1	1
29	ZW11X08000	WASHER (M8)	1	1
30	PY01P01043D3	CLIP	3	3
31	YN17M01142P1	BRACKET	2	2
32	2479U1190F13	SWITCH (HVY Lift)(SW-35)	1	1
33	2479U1190F5	SWITCH (Ind. Travel)(SW-36)	1	1
34	2479U1190F31	SWITCH (Auto Warm-Up)(SW-38)	1	1
35	2479U1190F32	SWITCH (Double Flow)(SW-15)	-	1
36	YN17M01032P1	CAP	6	6
37	2420R1089D1	SEMS-BOLT (M5X10mm)	4	4
38	YN17M01143P1	PLATE	1	1
39	YN17M01153D2	COVER	1	1
40	YN17M01154P1	MACHINE SCREW (M6X4mm)	1	1

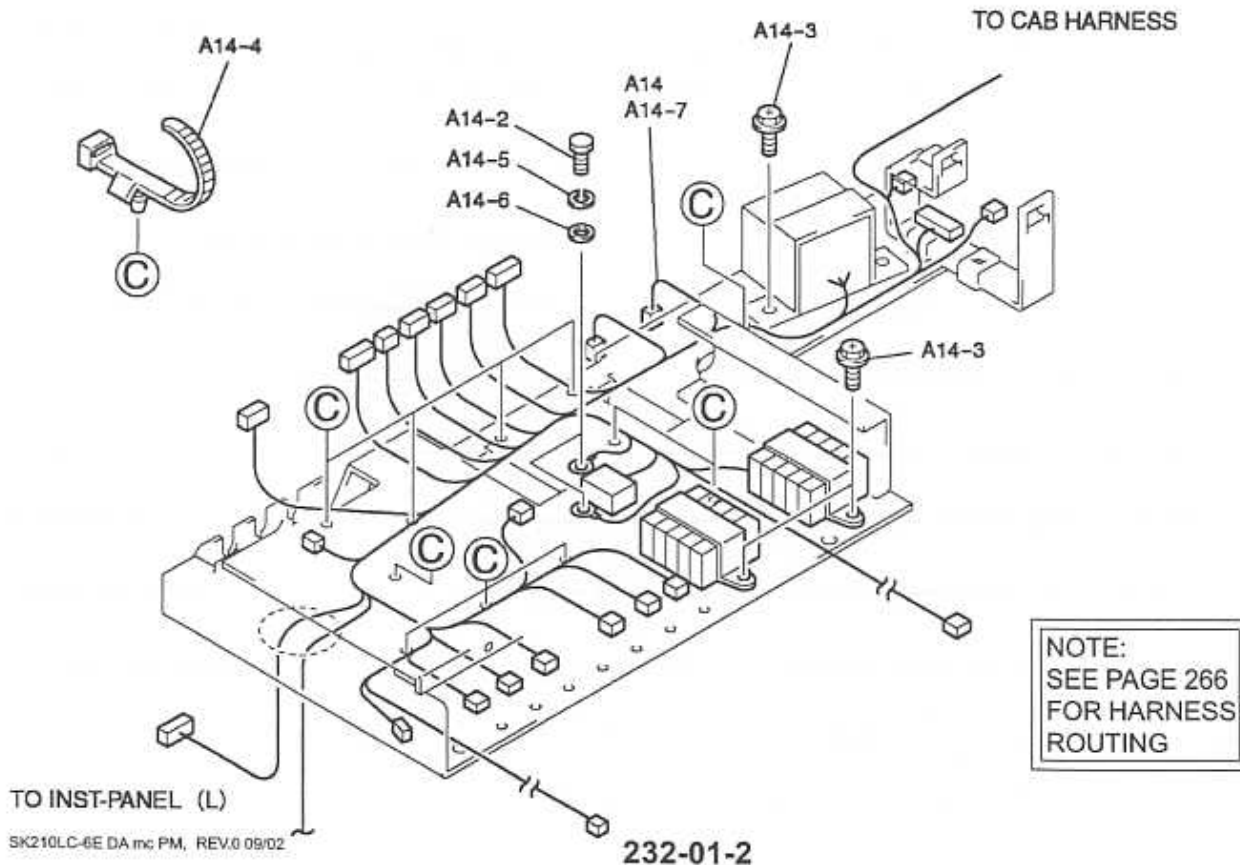
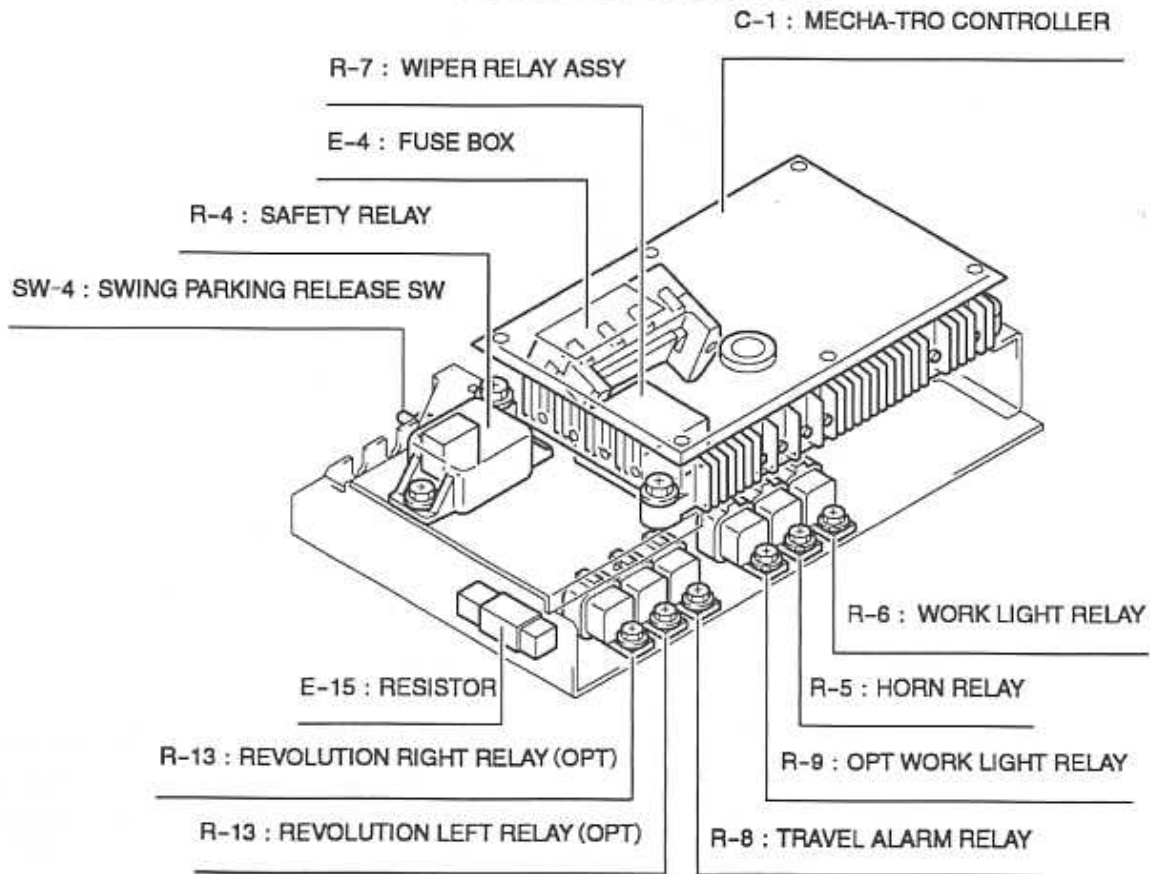
(Curtis brand)

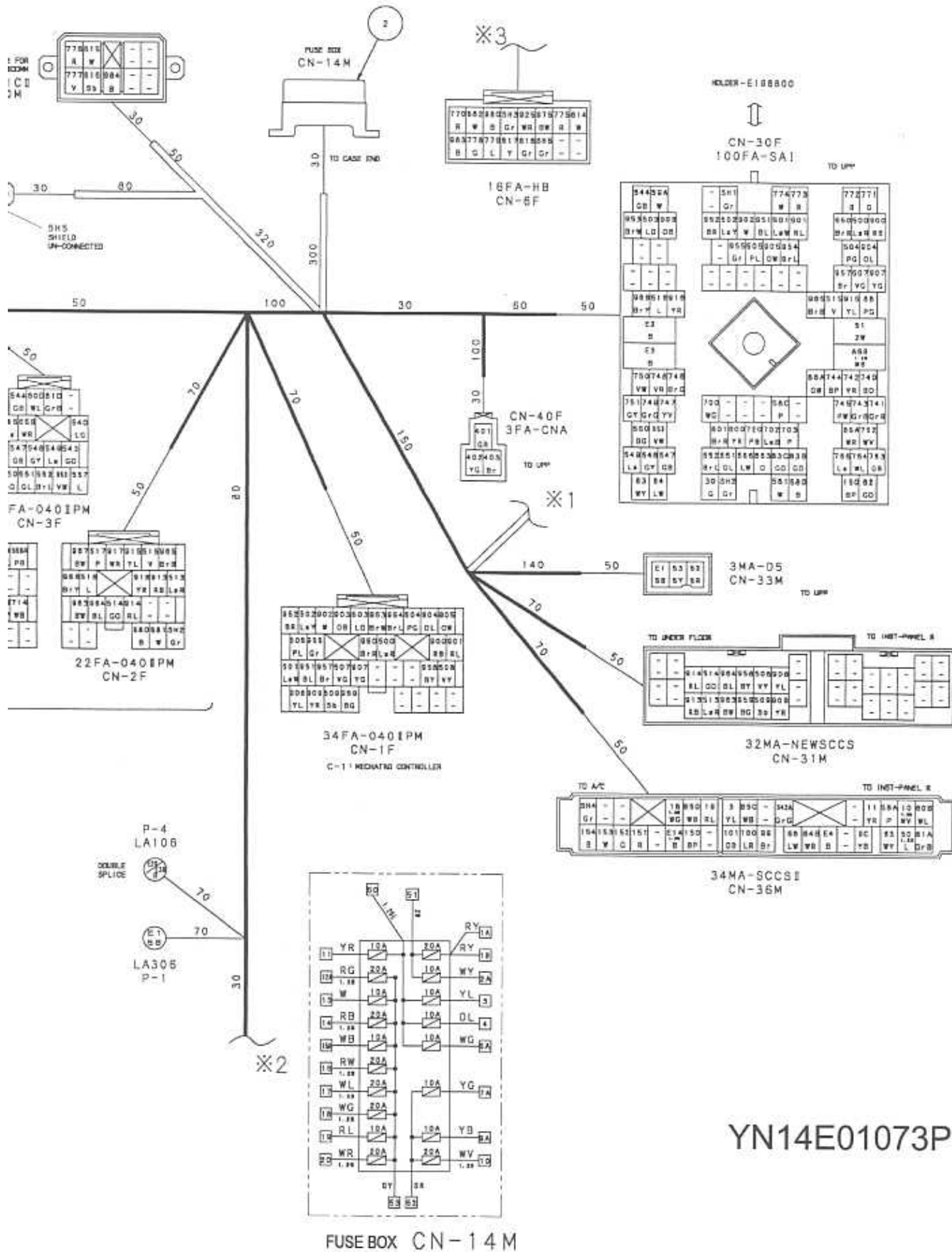
CONTROLLER GROUP



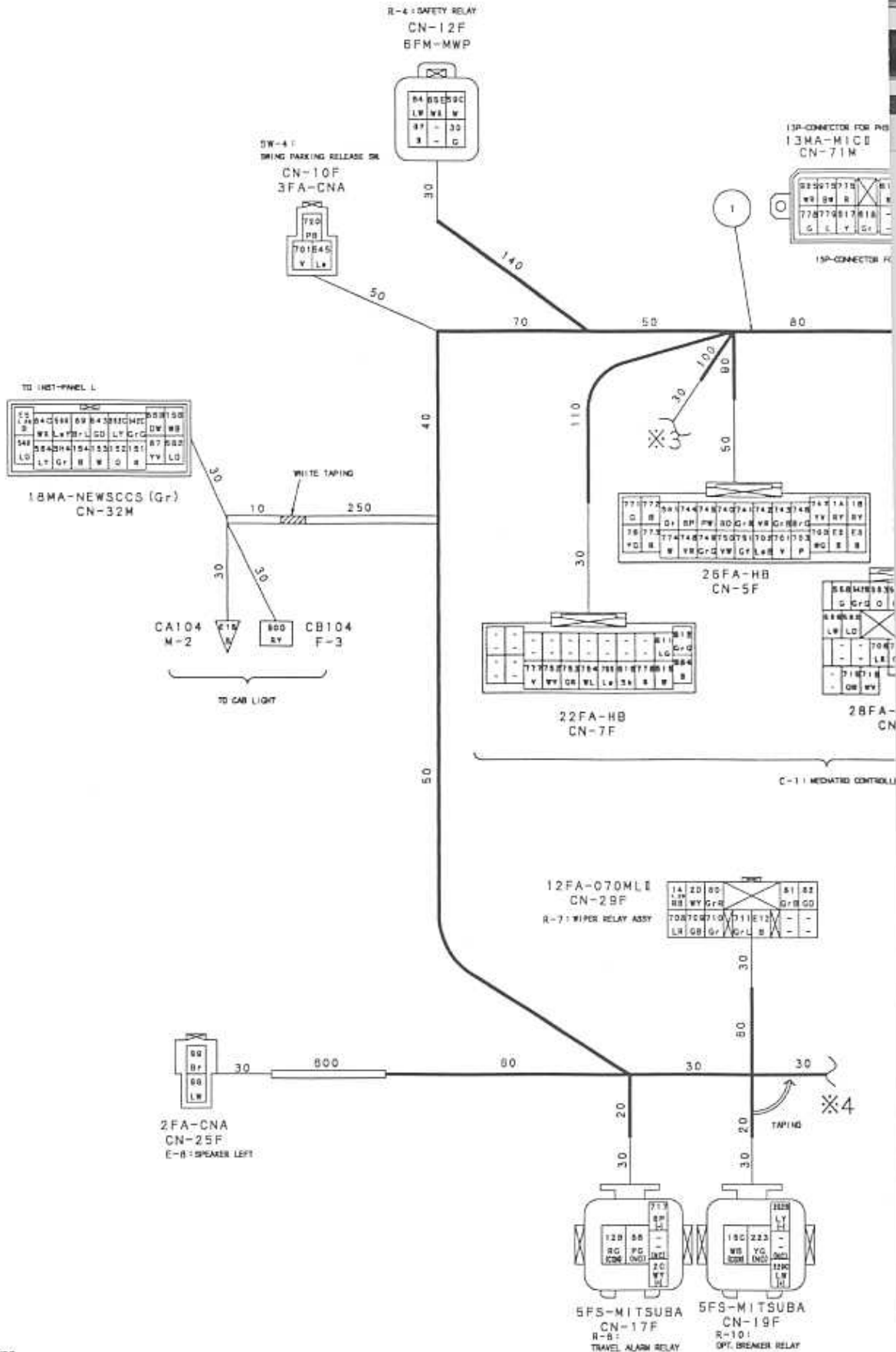
CONTROLLER GROUP

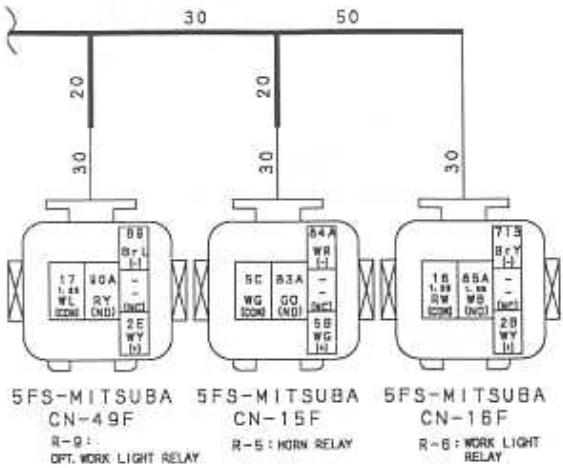
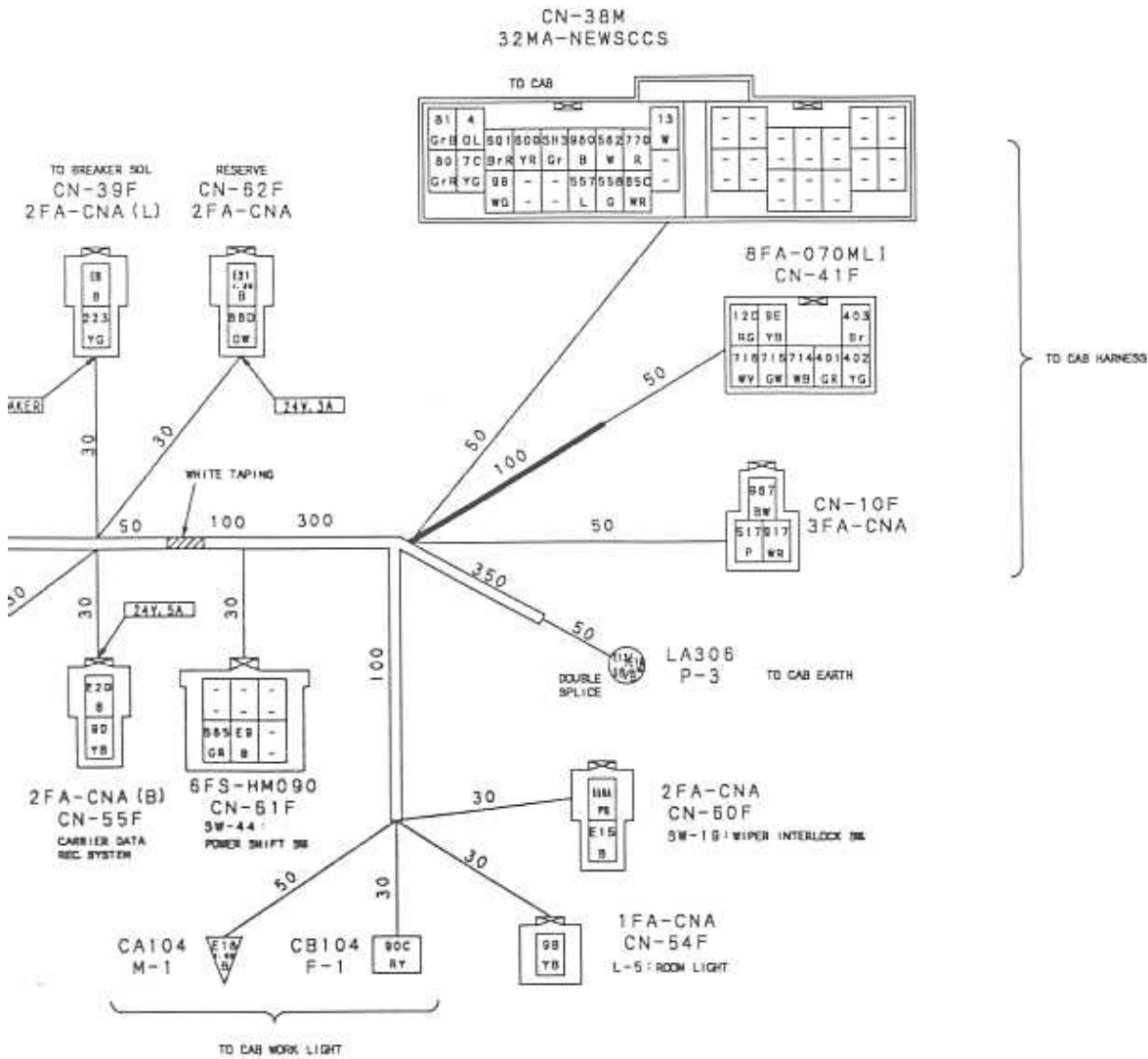
YQ08U0969-

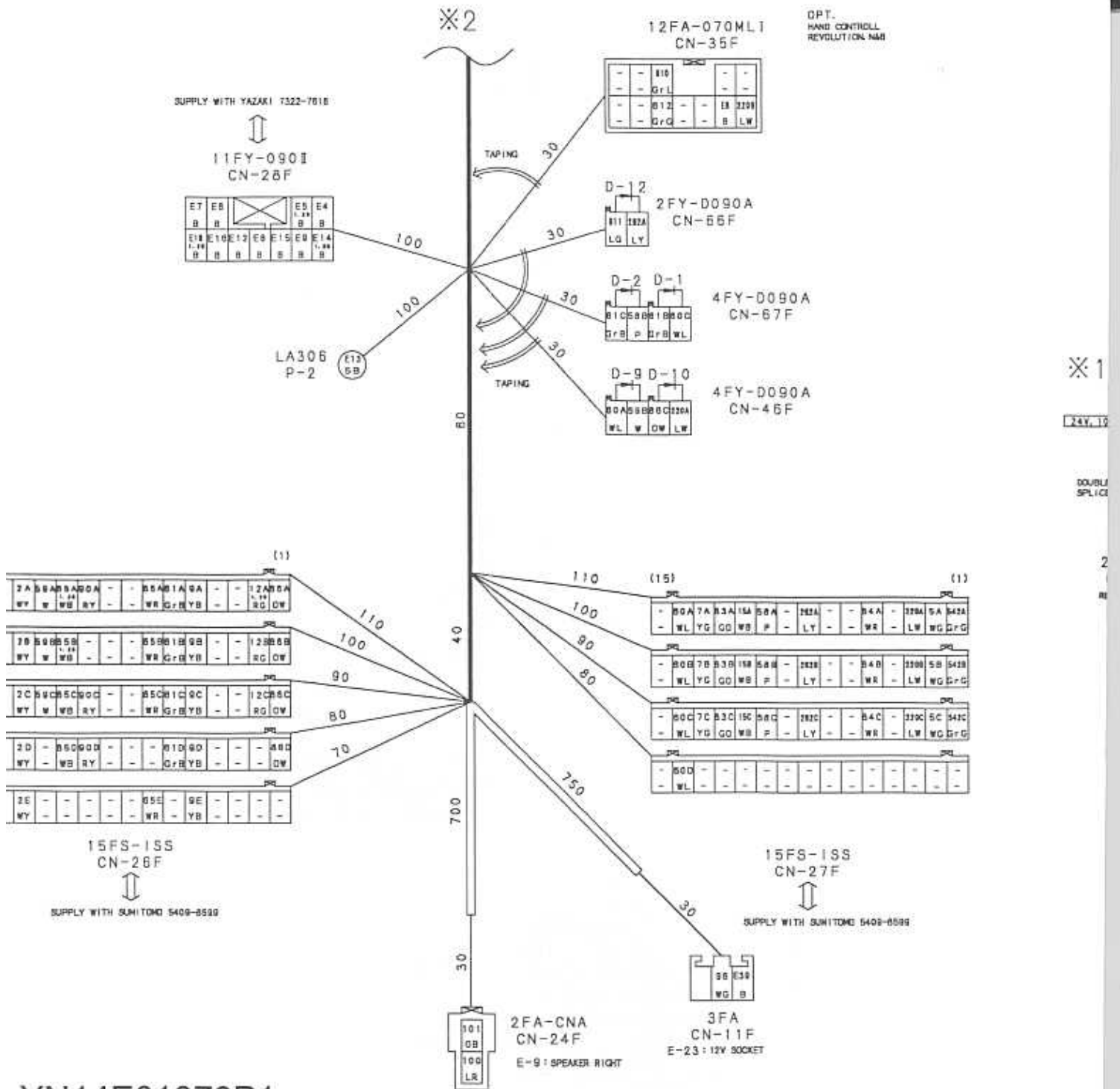




YN14E01073P1







YN14E01073P1

R GROUP

YQ08U0969-

SIZE	FROM	CONNECTION	TO
75sq	CN-5F	—————	CN-14M
75sq	CN-5F	—————	CN-14M
75sq	CN-26F	●—————	CN-14M
75sq	CN-26F	●—————	CN-16F
75sq	CN-26F	●—————	CN-17F
75sq	CN-26F	●—————	CN-29F
75sq	CN-26F	●—————	CN-49F
75sq	CN-14M	—————	CN-36M
75sq	CN-14M	—————	CN-38M
75sq	CN-14M	—————●	CN-27F
75sq	CN-15F	—————●	CN-27F
75sq	CN-15F	—————●	CN-27F
75sq	CN-14M	—————●	CN-27F
75sq	CN-5F	—————●	CN-27F
75sq	CN-38M	—————●	CN-27F
75sq	CN-14M	—————●	CN-26F
75sq	CN-54F	—————●	CN-26F
75sq	CN-36M	—————●	CN-26F
75sq	CN-55F	—————●	CN-26F
75sq	CN-41F	—————●	CN-26F
25sq	CN-14M	—————	CN-36M
75sq	CN-14M	—————	CN-36M
25sq	CN-14M	—————●	CN-26F
75sq	CN-17F	—————●	CN-26F
75sq	CN-41F	—————●	CN-26F
75sq	CN-14M	—————●	CN-38M
25sq	CN-14M	—————	CN-29F
75sq	CN-14M	—————●	CN-27F
75sq	CN-32M	—————●	CN-27F
75sq	CN-19F	—————●	CN-27F
25sq	CN-14M	—————	CN-16F
25sq	CN-14M	—————	CN-49F
25sq	CN-14M	—————	CN-36M
75sq	CN-14M	—————	CN-36M
25sq	CN-14M	—————	CN-43F
75sq	CN-12F	—————	CN-30F
25sq	CN-14M	—————	CN-36M
sq	CN-14M	—————	CN-30F
sq	CN-14M	—————	CN-33M
sq	CN-14M	—————	CN-33M

WIRE NO	WIRE COLOR	WIRE SIZE	FROM	CONNECTION	TO
58A	P	AVSS0.75sq	CN-27F	●—————	CN-36M
58B	P	AVSS0.75sq	CN-27F	●—————	CN-67F
58C	P	AVSS0.75sq	CN-27F	●—————	CN-30F
59A	W	AVSS0.75sq	CN-30F	—————●	CN-26F
59B	W	AVSS0.75sq	CN-46F	—————●	CN-26F
59C	W	AVSS0.75sq	CN-12F	—————●	CN-26F
60A	WL	AVSS0.75sq	CN-27F	●—————	CN-46F
60B	WL	AVSS0.75sq	CN-27F	●—————	CN-36M
60C	WL	AVSS0.75sq	CN-27F	●—————	CN-67F
60D	WL	AVSS0.75sq	CN-27F	●—————	CN-3F
61A	GrB	AVSS0.75sq	CN-26F	●—————	CN-36M
61B	GrB	AVSS0.75sq	CN-26F	●—————	CN-67F
61C	GrB	AVSS0.75sq	CN-26F	●—————	CN-67F
61D	GrB	AVSS0.75sq	CN-26F	●—————	CN-3F
63	WY	AVSS0.75sq	CN-36M	—————	CN-30F
64	LW	AVSS0.75sq	CN-12F	—————	CN-30F
65A	WR	AVSS0.75sq	CN-26F	●—————	CN-30F
65B	WR	AVSS0.75sq	CN-26F	●—————	CN-3F
65C	WR	AVSS0.75sq	CN-26F	●—————	CN-38M
65E	WR	AVSS0.75sq	CN-26F	●—————	CN-12F
80	GrR	AVSS0.75sq	CN-29F	—————	CN-38M
81	GrB	AVSS0.75sq	CN-29F	—————	CN-38M
82	GO	AVSS0.75sq	CN-29F	—————	CN-30F
83A	GO	AVSS0.75sq	CN-27F	●—————	CN-15F
83B	GO	AVSS0.75sq	CN-27F	●—————	CN-30F
83C	GO	AVSS0.75sq	CN-27F	●—————	CN-30F
84A	WR	AVSS0.75sq	CN-15F	—————●	CN-27F
84B	WR	AVSS0.75sq	CN-36M	—————●	CN-27F
84C	WR	AVSS0.75sq	CN-32M	—————●	CN-27F
85A	WB	AVSS1.25sq	CN-26F	●—————	CN-16F
85B	WB	AVSS1.25sq	CN-26F	●—————	CN-30F
85C	WB	AVSS0.75sq	CN-26F	●—————	CN-36M
85D	WB	AVSS0.75sq	CN-26F	●—————	CN-36M
86A	OW	AVSS0.75sq	CN-30F	—————●	CN-26F
86B	OW	AVSS0.75sq	CN-32M	—————●	CN-26F
86C	OW	AVSS0.75sq	CN-46F	—————●	CN-26F
86D	OW	AVSS0.75sq	CN-62F	—————●	CN-26F
87	YV	AVSS0.75sq	CN-4F	—————	CN-32M
88	PG	AVSS0.75sq	CN-30F	—————	CN-17F
89	BrL	AVSS0.75sq	CN-49F	—————	CN-32M

YN14E01073P1

CONNECTORS SELECTION TABLE

CONNECTOR NAME (PIN NUM.)	MANUFUC.	PART. NUMBER					
		HOUSING	TERMINAL	HARNESS SEAL	RETAINER LOCK PLATE	SEALING PLUG	CLIP
3FA-CNA	AMP	172132-1	170032-2				
2FA-CNA	AMP	172130-1	170032-2				
2FA-CNA (B)	AMP	172130-2	170032-2				
1FA-CNA	AMP	172030-5	170032-2				
CA104	AMP	170002-5	170887-1				
CB104	AMP	170003-5	170889-1				
3MA-D5	AMP	1-353046-3	917803-2				
100FA-3A1	AMP	179216-B	175266-2				
	YAZAKI		7118-2871				
34MA-SCCS1	AMP	177511-2	175272-1				
			175273-1				
32MA-NEVSCCS	AMP	178866-1	917067-5				
			175273-1				
18MA-NEVSCCS (R)	AMP	8-178892-8	917067-5				
			175273-1				
12FA-070MLI	AMP	178116-B	173631-1				
12FA-070MLI	AMP	173851-1	173631-1				
8FA-070MLI	AMP	173850-1	173631-1				
34FA-0401PM	AMP	318022-B	175266-2				
28FA-0401PM	AMP	318019-B	175266-2				
22FA-0401PM	AMP	318016-B	175266-2				
18FA-0401PM	AMP	318013-B	175266-2				
28FA-HB	AMP	917992-6	175266-2				
			175269-1				
22FA-HB	AMP	917869-B	175266-2				
			175269-1				
18FA-HB	AMP	917961-B	175266-2				
5FS-MITSUBA	SUMITOMO	6098-1493	1500-0207				
			8240-4242				
15FS-ISS	SUMITOMO	6441-6685	6169-6485				
			5409-6589				
6FN-MWP	MITSUBISHI	PFR05-06020	MT095-27250	RS220-04100	PH815-02910		
11FY-090I	YAZAKI	7263-1110	7116-4021				
		7322-7816					
4FY-D090A	YAZAKI	7123-7144	7116-1181P				
2FY-D090A	YAZAKI	7123-7729-40	7116-1181P				
8MA-MICI	AMP	172506-1	172779-1				
13MA-MICI	AMP	172515-1	172779-1				
8FS-HM090	SUMITOMO	6090-1216	8240-4422				
3FA	AMP	261872-1	282308-1				
2FA-CNA (L)	AMP	172130-5	170032-2				

WIRE NO	WIRE COLOR
1A	RY
1B	RY
2A	WY
2B	WY
2C	WY
2D	WY
2E	WY
3	YL
4	DL
5A	WG
5B	WG
5C	WG
7A	YG
7B	YG
7C	YG
9A	YB
9B	YB
9C	YB
9D	YB
9E	YB
10	WV
11	YR
12A	RG
12B	RG
12C	RG
13	W
14	RB
15A	WB
15B	WB
15C	WB
16	RW
17	WL
18	WG
19	RL
20	WR
30	G
50	L
51	W
52	R
53	Y

WIRE COLOR	WIRE SIZE	FROM	CONNECTION	TO
BrL	AVSS0.75sq	CN-49F	————	CN-32M
RY	AVSS0.75sq	CN-26F	●————	CN-49F
RY	AVSS0.75sq	CN-26F	●————	F-1
RY	AVSS0.75sq	CN-26F	●————	F-3
WG	AVSS0.75sq	CN-11F	————	CN-38M
LW	AVSS0.75sq	CN-36M	————	CN-25F
Br	AVSS0.75sq	CN-36M	————	CN-25F
LR	AVSS0.75sq	CN-24F	————	CN-36M
OB	AVSS0.75sq	CN-24F	————	CN-36M
BP	AVSS0.75sq	CN-36M	————	CN-30F
R	MVVS0.75sq	CN-36M	————	CN-32M
G		CN-36M	————	CN-32M
W		CN-36M	————	CN-32M
B		CN-36M	————	CN-32M
Gr		CN-36M	————	CN-32M
LW	AVSS0.75sq	CN-46F	————●	CN-27F
LW	AVSS0.75sq	CN-35F	————●	CN-27F
LW	AVSS0.75sq	CN-19F	————●	CN-27F
YG	AVSS0.75sq	CN-19F	————	CN-39F
VR	AVSS0.75sq	CN-42F	————	CN-30F
LY	AVSS0.75sq	CN-66F	————●	CN-27F
LY	AVSS0.75sq	CN-19F	————●	CN-27F
LY	AVSS0.75sq	CN-32M	————●	CN-27F
GR	AVSS0.75sq	CN-40F	————	CN-41F
YG	AVSS0.75sq	CN-40F	————	CN-41F
Br	AVSS0.75sq	CN-40F	————	CN-41F
LpR	AVSS0.75sq	CN-1F	————	CN-30F
LpW	AVSS0.75sq	CN-1F	————	CN-30F
LpY	AVSS0.75sq	CN-1F	————	CN-30F
LO	AVSS0.75sq	CN-1F	————	CN-30F
PG	AVSS0.75sq	CN-1F	————	CN-30F
PL	AVSS0.75sq	CN-1F	————	CN-30F
VG	AVSS0.75sq	CN-1F	————	CN-30F
VY	AVSS0.75sq	CN-1F	————	CN-31M
Sb	AVSS0.75sq	CN-1F	————	CN-31M
LpR	AVSS0.75sq	CN-2F	————	CN-31M
GO	AVSS0.75sq	CN-2F	————	CN-31M
V	AVSS0.75sq	CN-2F	————	CN-30F
L	AVSS0.75sq	CN-2F	————	CN-30F
P	AVSS0.75sq	CN-2F	————	CN-10F
LG	AVSS0.75sq	CN-3F	————	CN-32M

WIRE NO	WIRE COLOR	WIRE SIZE	FROM	CONNECTION	TO
542A	GrG	AVSS0.75sq	CN-36M	————●	CN-27F
542B	GrG	AVSS0.75sq	CN-4F	————●	CN-27F
542C	GrG	AVSS0.75sq	CN-32M	————●	CN-27F
543	GO	AVSS0.75sq	CN-3F	————	CN-32M
544	GB	AVSS0.75sq	CN-3F	————	CN-30F
545	Lp	AVSS0.75sq	CN-3F	————	CN-10F
547	GB	AVSS0.75sq	CN-3F	————	CN-30F
548	GY	AVSS0.75sq	CN-3F	————	CN-30F
549	Lp	AVSS0.75sq	CN-3F	————	CN-30F
550	BG	AVSS0.75sq	CN-3F	————	CN-30F
551	GL	AVSS0.75sq	CN-3F	————	CN-30F
552	BrL	AVSS0.75sq	CN-3F	————	CN-30F
553	VW	AVSS0.75sq	CN-3F	————	CN-30F
557	L	AVSS0.75sq	CN-3F	————	CN-38M
558	G	AVSS0.75sq	CN-4F	————	CN-38M
559A	PB	AVSS0.75sq	CN-60F	————	CN-4F
560	LpY	AVSS0.75sq	CN-4F	————	CN-32M
562	LO	AVSS0.75sq	CN-32M	————	CN-4F
563	O	AVSS0.75sq	CN-4F	————	CN-30F
564	LY	AVSS0.75sq	CN-4F	————	CN-32M
565	GR	AVSS0.75sq	CN-4F	————	CN-61F
566	LW	AVSS0.75sq	CN-4F	————	CN-30F
580	B	MVVS0.75sq	CN-2F	————	CN-30F
581	W		CN-2F	————	CN-30F
SH2	Gr		CN-2F	————	CN-30F
582	W	MVVS0.75sq	CN-6F	————	CN-38M
770	R		CN-6F	————	CN-38M
980	B		CN-6F	————	CN-38M
SH3	Gr		CN-6F	————	CN-38M
600	YR	AVSS0.75sq	CN-38M	————	CN-30F
601	BrR	AVSS0.75sq	CN-38M	————	CN-30F
610	GrL	AVSS0.75sq	CN-35F	————	CN-4F
611	LG	AVSS0.75sq	CN-66F	————	CN-7F
612	GrG	AVSS0.75sq	CN-35F	————	CN-7F
614	W	MVVS0.75sq	CN-6F	————	CN-71M
617	Y		CN-6F	————	CN-71M
618	Gr		CN-6F	————	CN-71M
775	R		CN-6F	————	CN-71M
778	G		CN-6F	————	CN-71M
779	L		CN-6F	————	CN-71M
983	B		CN-6F	————	CN-71M
SH5	Gr		CN-6F	————X	UNCONNECTED

WIRE NO
615
776
984
616
700
701
702
703
708
709
710
711
713
714
715
716
717
720
740
741
742
743
744
745
746
747
748
749
750
751
752
753
754
755
771
772
773
774
SH1
777
900
901
902
903

YN14E01073P1

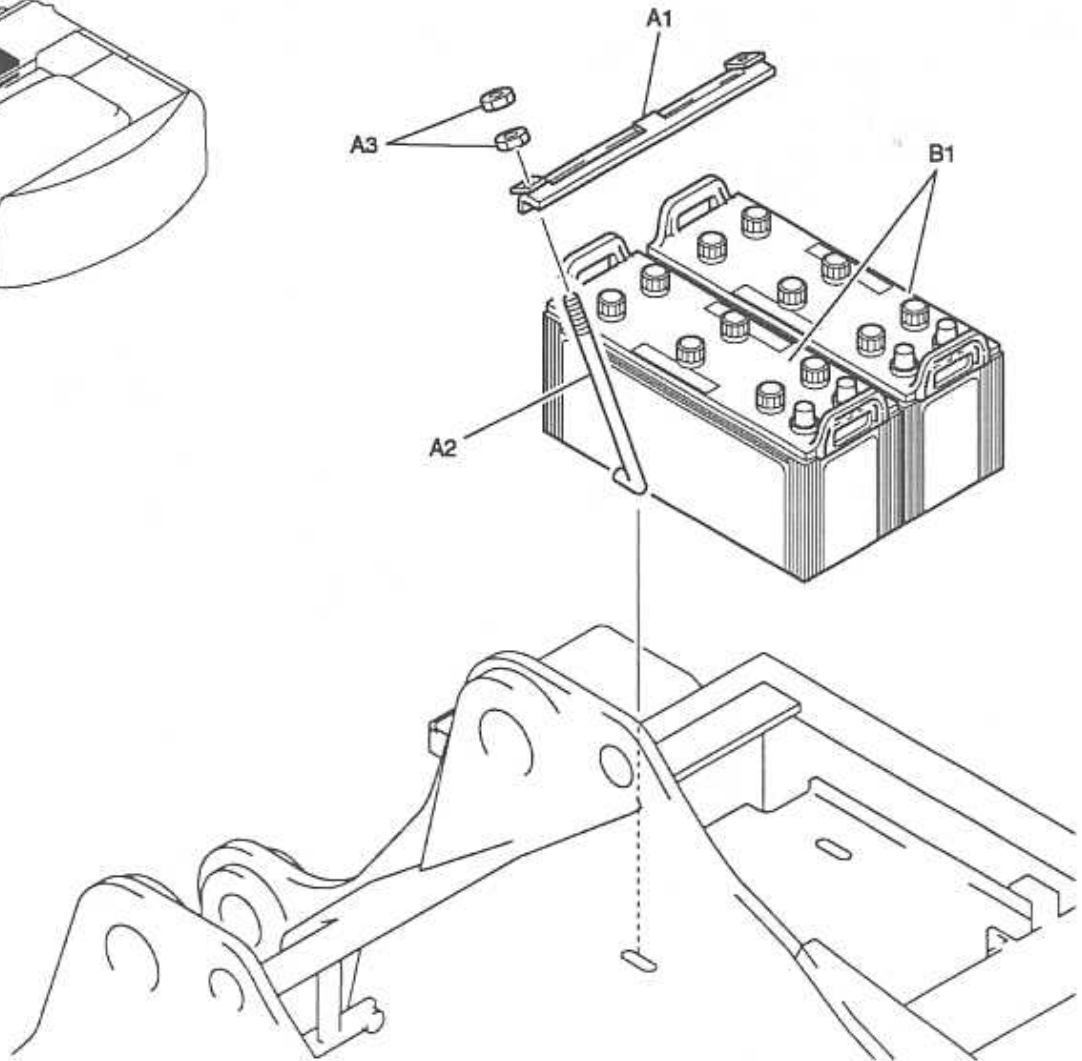
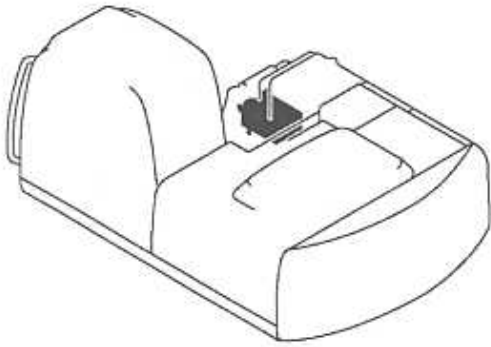
CONTROLLER GROUP

YQ08U0969~

ITEM	PART NUMBER	DESCRIPTION	QTY
		CONTROLLER ASSY	
	YN22E00162F1	CONTROLLER GROUP	
A1	YN22E01147P2	BOX	1
A2	YN22E01141P1	PLATE	1
A4	YN22E00146F1	CONTROLLER (C-1)	1 (Mechatronic)
A5	YT24E00001F1	RELAY ASSY(Wiper) (R-7)	1
A6	EN24S00008P1	RELAY (Travel Alarm:R-8; Horn:R-5; Work Light:R-6)	3
A7	YX50E00002F1	SWITCH (Swing Parking Release) (SW-4)	1
A8	YN22E01139P1	PLATE	1
A9	ZM66C05016	SEMS-BOLT (M5X16mm)	2
A10	ZM61C06030	SEMS-BOLT (M6X20mm)	4
A11	YN22M01014P1	LABEL	1
A12	ZM61C06016	SEMS-BOLT (M6X16mm)	8
A13	2420Z699	GROMMET	1
A14	YN14E00040F2	HARNES ASSY, CAB	1
A14-2	ZS18C06016	CAPSCREW (M6X16mm)	2
A14-3	ZM61C06020	SEMS-BOLT (M6X20mm)	8
A14-4	YN03E01001D5	CLIP	11
A14-5	ZW26X06000	LOCK WASHER (M6)	2
A14-6	ZW16X06000	WASHER (M6)	2
A14-7	YN14E01073P1	HARNES	1
A14-7B	YN73E00015F1	BOX ASSY, FUSE (E-4)	1
A14-7Ba	YN73E00001S001	BASE	1
A14-7Bb	YN73E00001S002	COVER	1
A14-7Bc	YN73E01020P1	LABEL	1
A14-7Bd	2479R655S8	FUSE, 10AMP	11
A14-7Be	2479R655S9	FUSE, 20AMP	9
	YN22E00145F1	CONTROLLER INSTAL	
B1	YN22E01121P1	SUPPORT	1
B2	YN22E01145P1	SUPPORT	1
B3	YN22E01149P2	BRACKET	1
B4	YN25S00001P1	TIMER (R-20)	1
B5	ZM66C06025	SEMS-BOLT (M6X25mm)	1
B6	ZM32C10025	BOLT (M10X25mm)	5
B7	ZM22C10030	SEMS-BOLT (M10X30mm)	6
B8	ZM66C06016	SEMS-BOLT (M6X16mm)	4
B9	YN24E00010F1	RELAY ASSY	1
B9-1	YN24E01007P1	PLATE	1
B9-2	ZM61C06016	SEMS-BOLT (M6X16mm)	1
B9-3	YN77S00017P1	CONVERTER, DC-DC (E-22)	1 (24v-12v)
B9-4	YY24S00001P1	RELAY, FLASHER (R-19)	1
B9-5	ZM61C05016	SEMS-BOLT (M5X16mm)	2
A3	MITSUBISHI COMPONENT(S) VAME077148	RELAY, SAFETY (R-4)	1

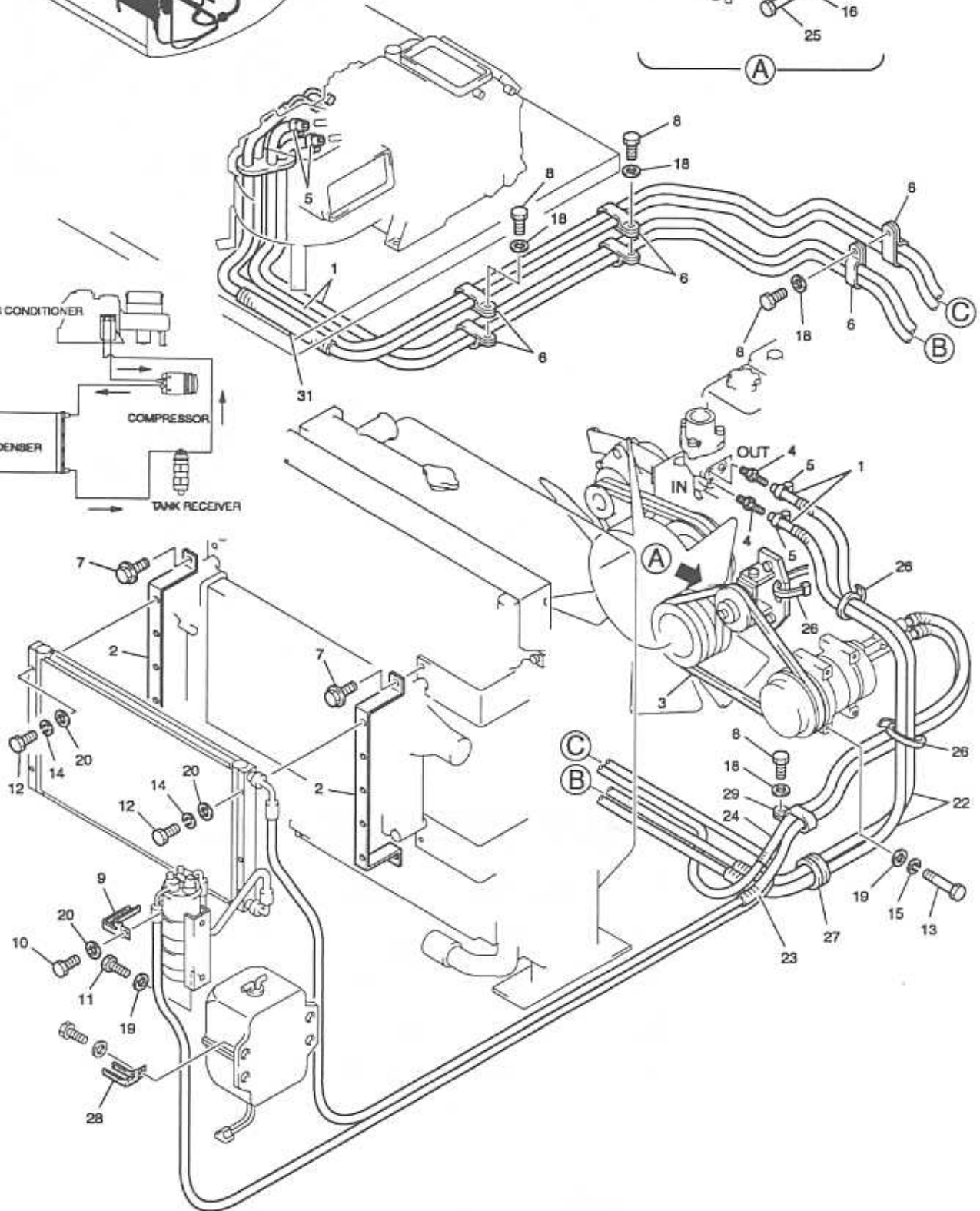
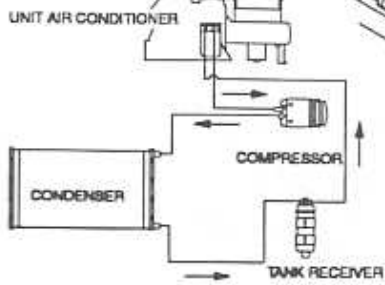
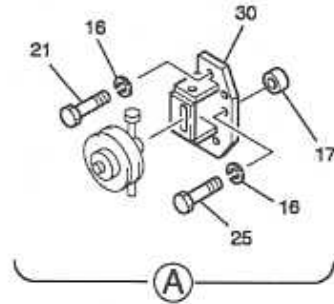
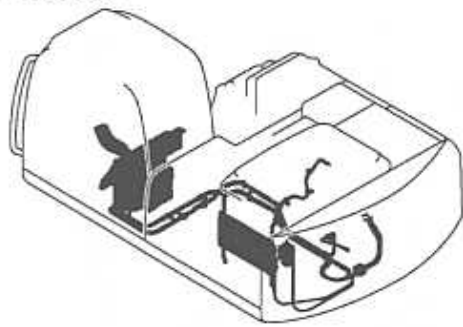
BATTERY INSTALLATION

YQ08U0969~



ITEM	PART NUMBER	DESCRIPTION	QTY
		BATTERY INSTAL	
	LB72E00001F1	BATTERY INSTL	
A1	LB72E01001P1	BRACKET	1
A2	2420T7352	ROD (M8)	2
A3	ZN18C08007	NUT (M8)	4
B1	2411U22	BATTERY (4D-2)	2

AIR CONDITIONER

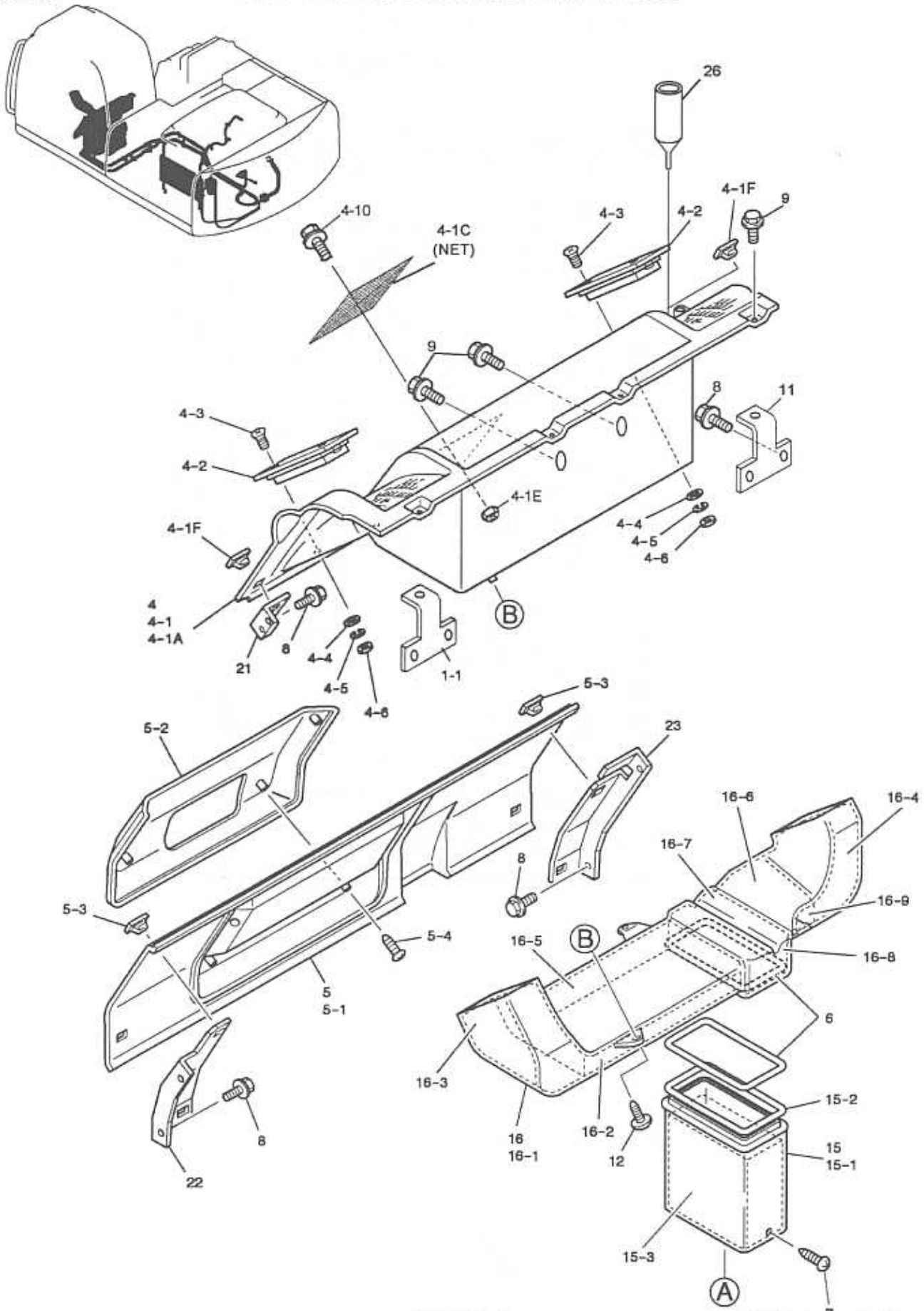


AIR CONDITIONER

YQ08U0969~

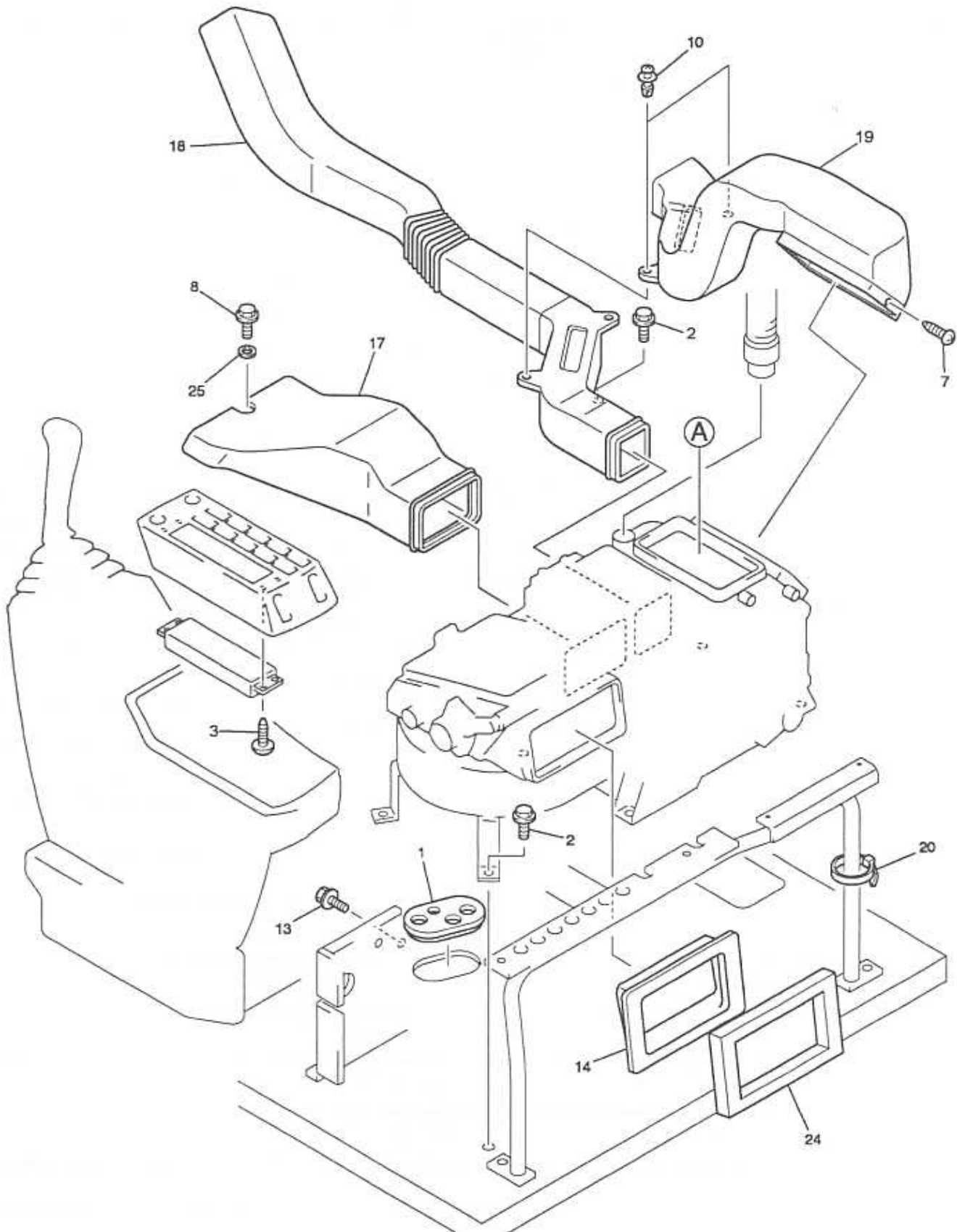
ITEM	PART NUMBER	DESCRIPTION	QTY
	YN20M00059F1	CONDITIONER, AIR	
1	R18T0026D27	HOSE	2
2	YN20M01406P1	SUPPORT	2
3	YN20M01282D1	V-BELT	1
4	2444T2577	CONNECTOR	2
5	ZC16X02000	CLIP	4
6	ZC48X24014	CLIP	6
7	ZM22C10025	SEMS-BOLT (M10X25mm)	4
8	ZS18C10030	CAPSCREW (M10X30mm)	4
9	2432R233D1	CLIP	1
10	ZS18C06020	CAPSCREW (M6X20mm)	2
11	ZS18C08016	CAPSCREW (M8X16mm)	2
12	ZS18C06050	CAPSCREW (M6X50mm)	6
13	ZS18C08100	CAPSCREW (M8X100mm)	4
14	ZW26X06000	LOCK WASHER (M6)	6
15	ZW26X08000	LOCK WASHER (M8)	4
16	ZW26X10000	LOCK WASHER (M10)	3
17	2418T22259	BOSS	1
18	ZW16X10000	WASHER (M10)	4
19	ZW16X08000	WASHER (M8)	6
20	ZW16X06000	WASHER (M6)	8
21	ZS18C10025	CAPSCREW (M10X25mm)	2
22	YN20M01046DJ	TUBE	2
23	2418Z1333D2	TUBE	1
24	YN20M01094D3	TUBE	1
25	ZS18C10035	CAPSCREW (M10X35mm)	1
26	PY01P01043D3	CLIP	3
27	YN21P01003P1	GROMMET	1
28	2432R233D2	CLIP	1
29	2432R226D13	CLIP	1
30	YN20M01301P1	BRACKET	1
31	YN20M01094D2	TUBE	1

AIR CONDITIONER INSTALLATION



AIR CONDITIONER INSTALLATION

YQ08U0969-

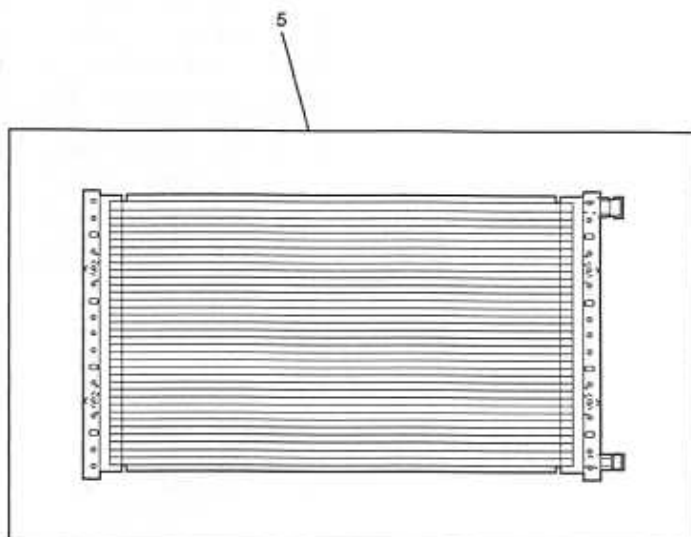
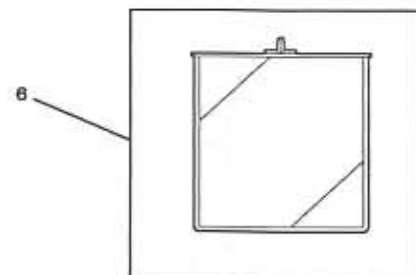
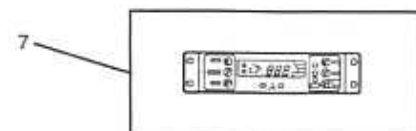
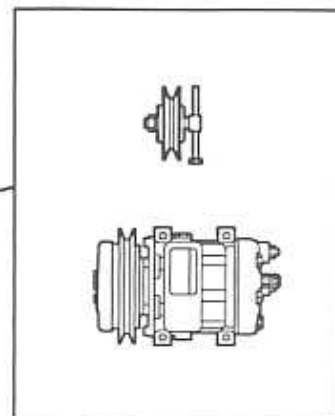
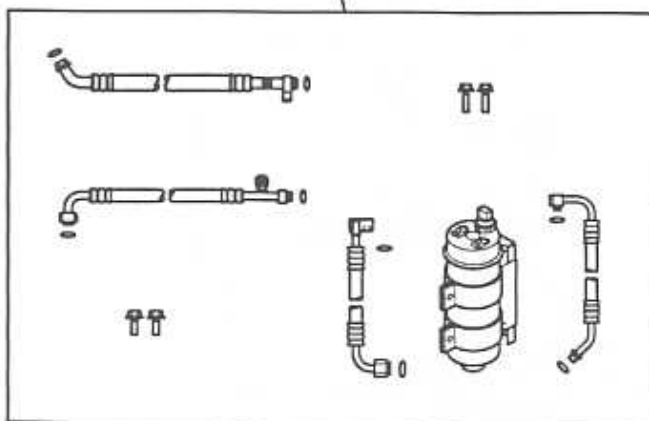
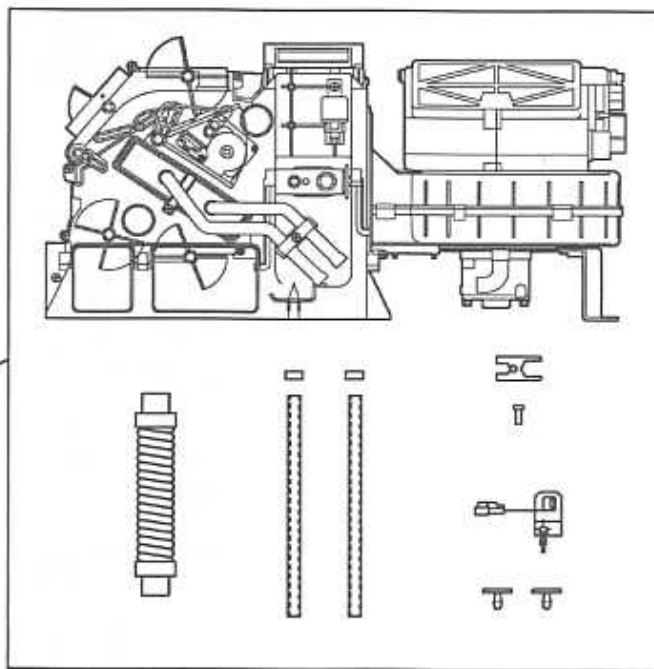
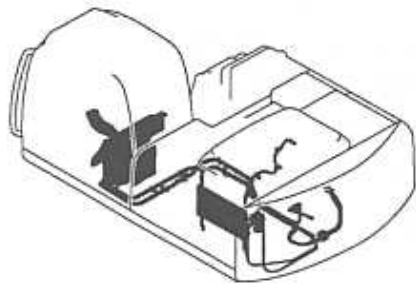


AIR CONDITIONER INSTALLATION

YQ08U0969-

ITEM	PART NUMBER	DESCRIPTION	QTY
	YN20M00076F1	CONDITIONER INSTL, AIR	
1	YN20M01195P1	GROMMET	1
2	ZM22C08025	SEMS-BOLT (M8X25mm)	7
3	YN02C01877D1	SCREW, TAPPING	4
4	YN20M01428F1	COVER ASSY	1
4-1	YN20M01429F1	COVER ASSY	1
4-1A	YN20M01430P1	COVER	1
4-1C	YN20M01418P1	HOLDER	1
4-1D	ZM46C04020	SEMS-BOLT (M4X20mm)	4
4-1E	ZN18C04003	NUT	4
4-1F	YN20M01130P1	LOCK	2
4-2	YN20M01055P1	GRILL	2
4-3	YN17M01033D1	MACHINE SCREW	4
4-4	ZW16P05000	WASHER (M5)	4
4-5	ZW26X05000	LOCK WASHER (M5)	4
4-6	ZN18C05004	NUT	4
5	YN20M01404F1	COVER ASSY	1
5-1	YN20M01403P1	COVER	1
5-2	YN20M01402P1	COVER	1
5-3	YN20M01130P1	LOCK	4
5-4	YN20M01285S004	SCREW, TAPPING	4
6	YN20M01335P1	RUBBER	2
7	ZS32T45010	CROSS TAPPING SCREW	3
8	ZM22C08020	SEMS-BOLT (M8X20mm)	11
9	ZM66C06012	SEMS-BOLT (M6X12mm)	4
10	2420R584	FASTENER	2
11	YN17M01129P1	BRACKET	2
12	YN02C01876D1	SCREW, TAPPING	3
13	ZM66C06016	SEMS-BOLT (M6X16mm)	1
14	YN20M01270P1	DUCT	1
15	YN20M01294F2	DUCT ASSY	1
15-1	YN20M01294S001	DUCT	1
15-2	YN20M01294S002	SEAL	1
15-3	YN20M01294S003	INSULATION	1
16	YN20M01334F1	DUCT ASSY	1
16-1	YN20M01222P1	DUCT	1
16-2	YN20M01334S002	INSULATION	1
16-3	YN20M01334S003	INSULATION	1
16-4	YN20M01334S004	INSULATION	1
16-5	YN20M01334S005	INSULATION	1
16-6	YN20M01334S006	INSULATION	1
16-7	YN20M01334S007	INSULATION	1
16-8	YN20M01334S008	INSULATION	1
16-9	YN20M01334S009	INSULATION	1
17	YN20M01258P1	DUCT	1
18	YN20M01381P1	DUCT ASSY	1
19	YN20M01382P1	DUCT ASSY	1
20	PY01P01043D3	CLIP	1
21	YN20M01248P1	SUPPORT	1
22	YN20M01274P1	SUPPORT	1
23	YN20M01275P1	SUPPORT	1
24	YN20M01271P1	RUBBER	1
25	2418T12346	WASHER	1
26	YN81S01001P1	SOCKET, AUX 12V (E-23)	1

AIR CONDITIONER ASSEMBLY



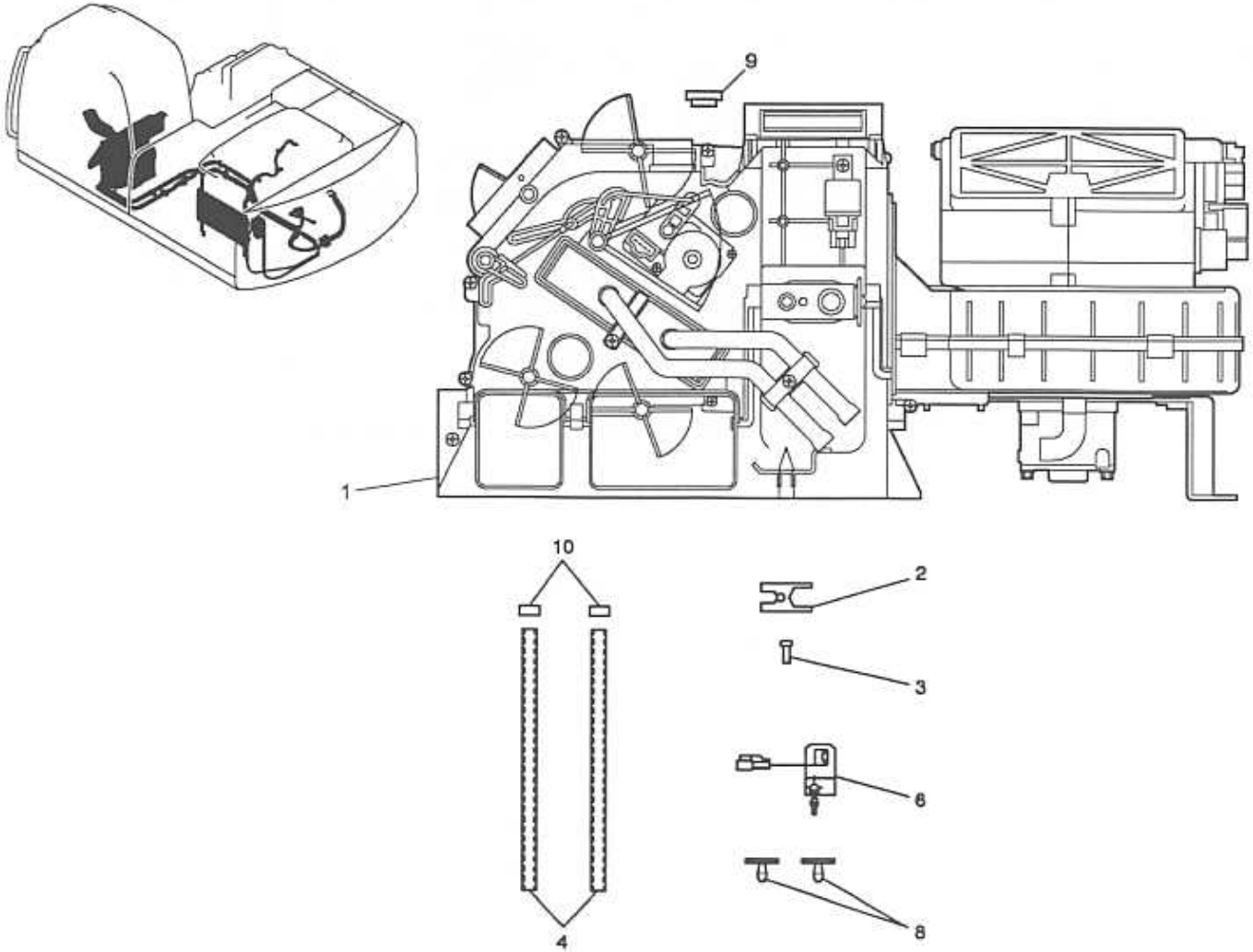
AIR CONDITIONER ASSEMBLY

YQ08U0969-

ITEM	PART NUMBER	DESCRIPTION	QTY
	YN20M00025F2	AIR CONDITIONER GROUPS	
1	LC20M00004F1	CONDITIONER ASSY	1
2	YN96V00004F1	DRYER ASSY, AIR	1
3	LC91V00002F1	COMPRESSOR ASSY	1
5	YN20M01226P1	CONDENSER	1
6	YN50V01006P1	FILTER , FRESH AIR	1
7	YN20M01299P1	PANEL	1

See P. 258-01-1
See P. 259-01-1
See P. 260-01-1

AIR CONDITIONER ASSEMBLY

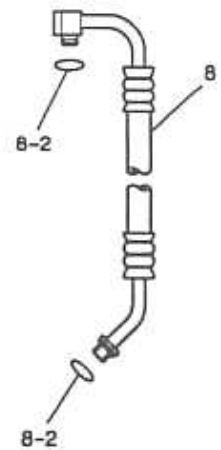
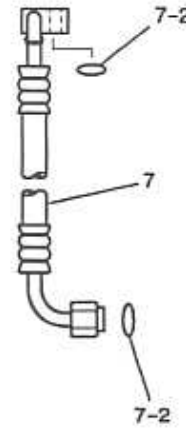
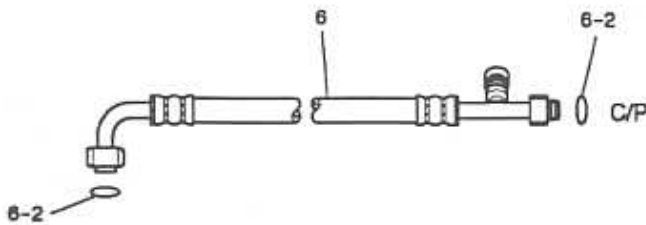
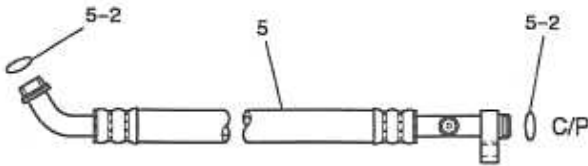
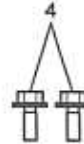
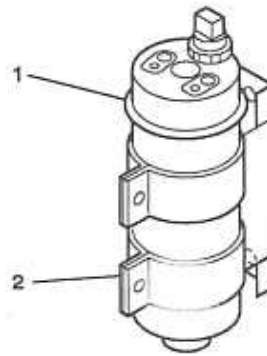
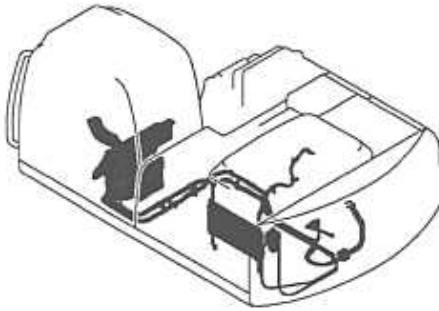


ITEM	PART NUMBER	DESCRIPTION	QTY
	YN20M00065F1	CONDITIONER ASSY, AIR	
1	LC20M00005F2	CONDITIONER, AIR	1
2	YT20M01077P1	PLATE	1
3	YT20M00009S005	MACHINE SCREW	1
4	LC20M01014D1	HOSE	2
6	YN52S00021F1	SENSOR	1
8	YN20M00016S078	CLIP	2
9	YT20M00009S006	CAP, DUCT	1
10	24100U1176S5	CLAMP	2

See 262-01-1

AIR DRYER ASSEMBLY

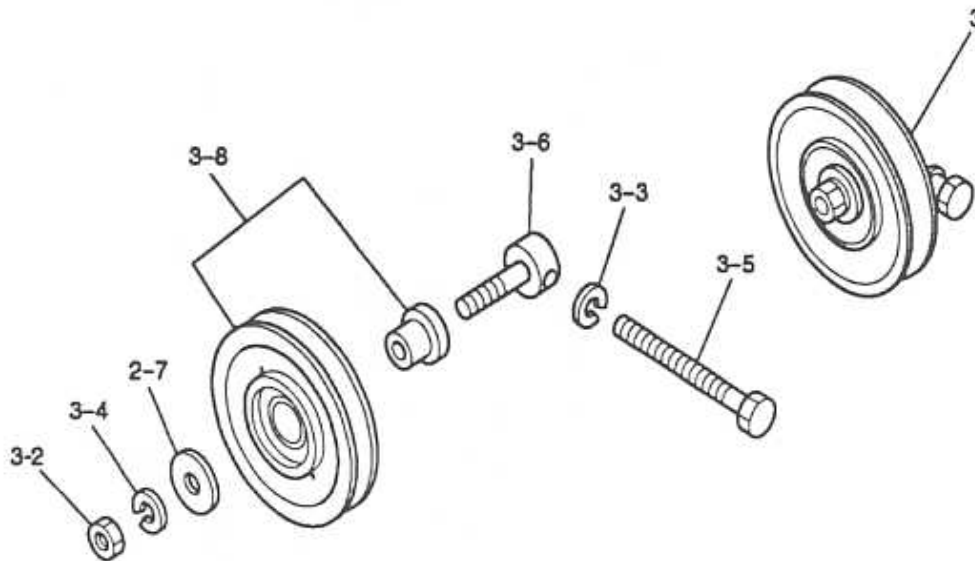
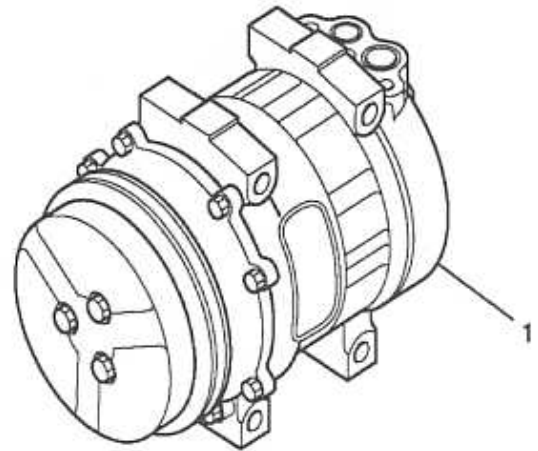
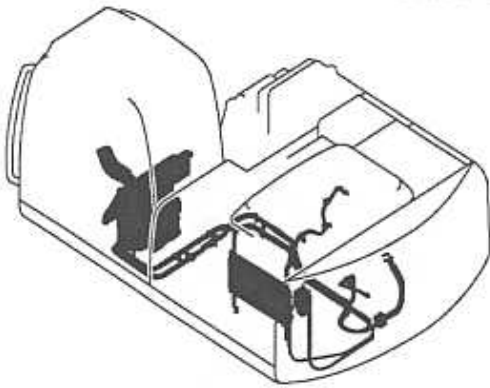
YQ08U0969~



ITEM	PART NUMBER	DESCRIPTION	QTY
	YN96V00014F1	DRYER ASSY, AIR	
1	YT54S00002P1	RECEIVER	1
2	YN20M01355P1	BRACKET	1
3	YT96V00001S010	CAPSCREW	2
4	YT96V00001S009	CAPSCREW	2
5	YN20M01278F1	HOSE ASSY	1
5-2	2445Z1604D5	O-RING	2
6	YN20M01400F1	HOSE ASSY	1
6-2	2445Z1604D4	O-RING	2
7	LQ20M01050F1	HOSE ASSY	1
7-2	2445Z1604D6	O-RING	2
8	LQ20M01051F1	HOSE ASSY	1
8-2	2445Z1604D6	O-RING	2

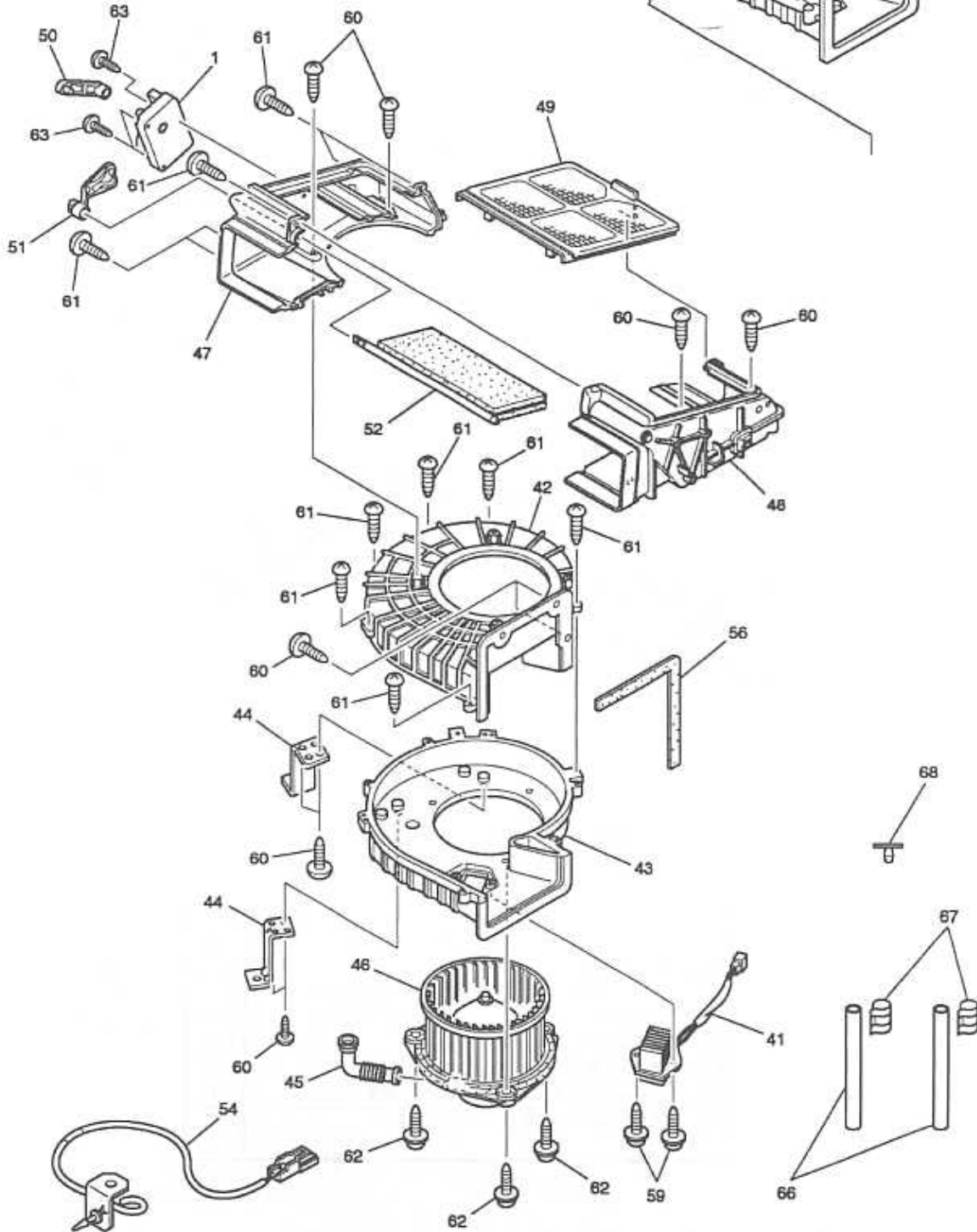
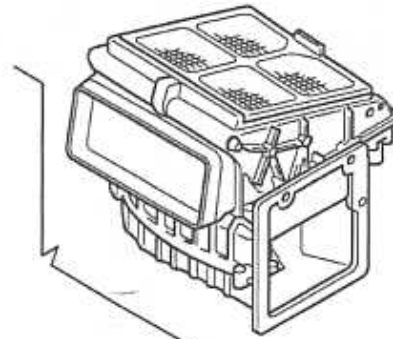
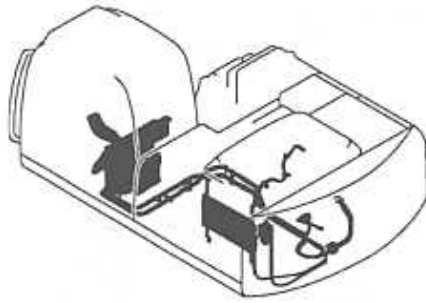
AIR COMPRESSOR ASSEMBLY

YQ08U0969-



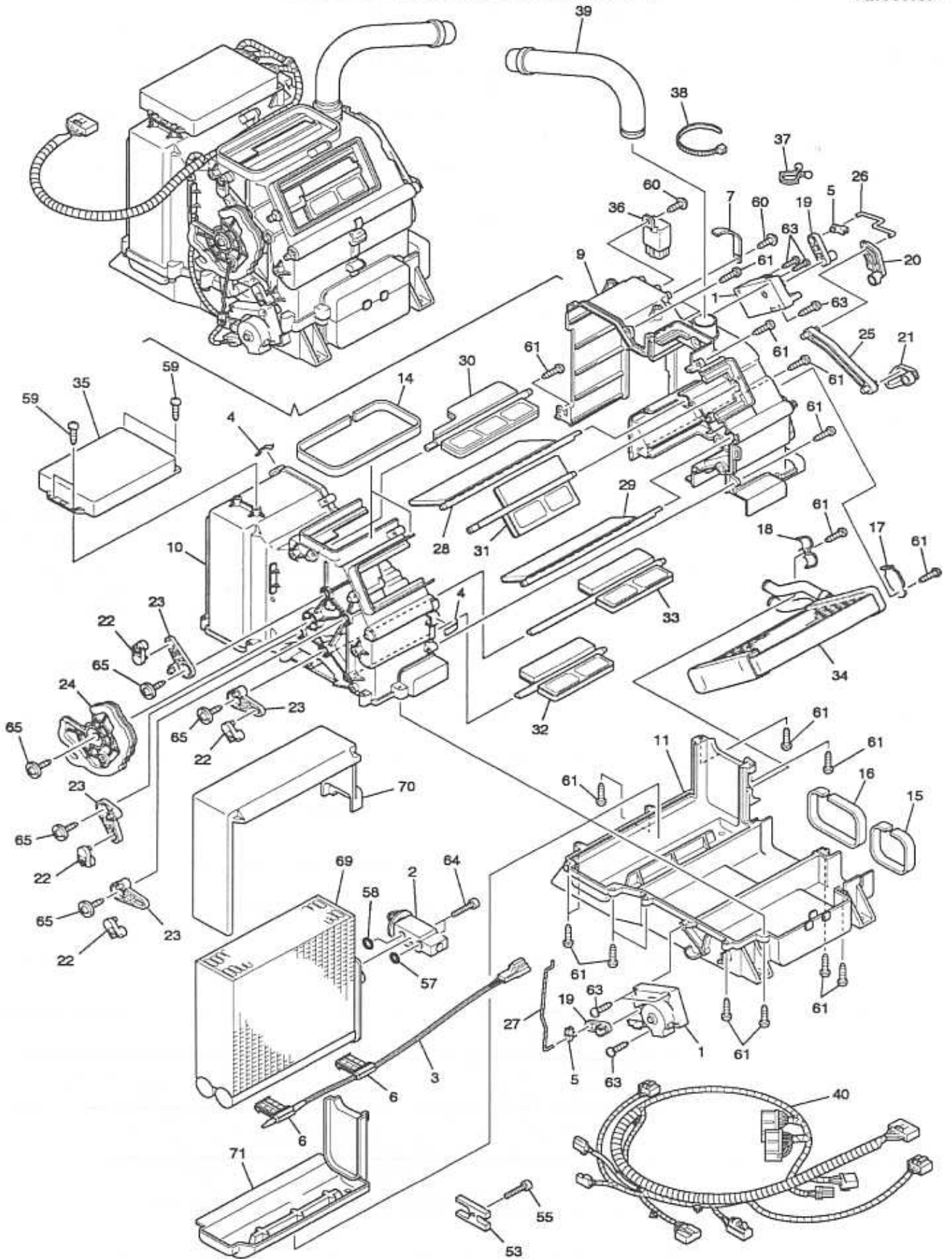
ITEM	PART NUMBER	DESCRIPTION	QTY
	LC91V00002F2	COMPRESSOR ASSY	
1	LC91V00001F1	COMPRESSOR, AIR	1
3	YX20M01029F2	PULLEY ASSY	1
3-2	24100U1176S25	NUT	1
3-3	24100U1176S27	LOCK WASHER	1
3-4	24100U1176S26	LOCK WASHER	1
3-5	24100U1176S18	BOLT	1
3-6	YX20M01029S006	SHAFT	1
3-7	24100U1176S19	STOPPER	1
3-8	LC20M01060P1	PULLEY	1

AIR CONDITIONER ASSEMBLY



AIR CONDITIONER ASSEMBLY

YQ08U0969-



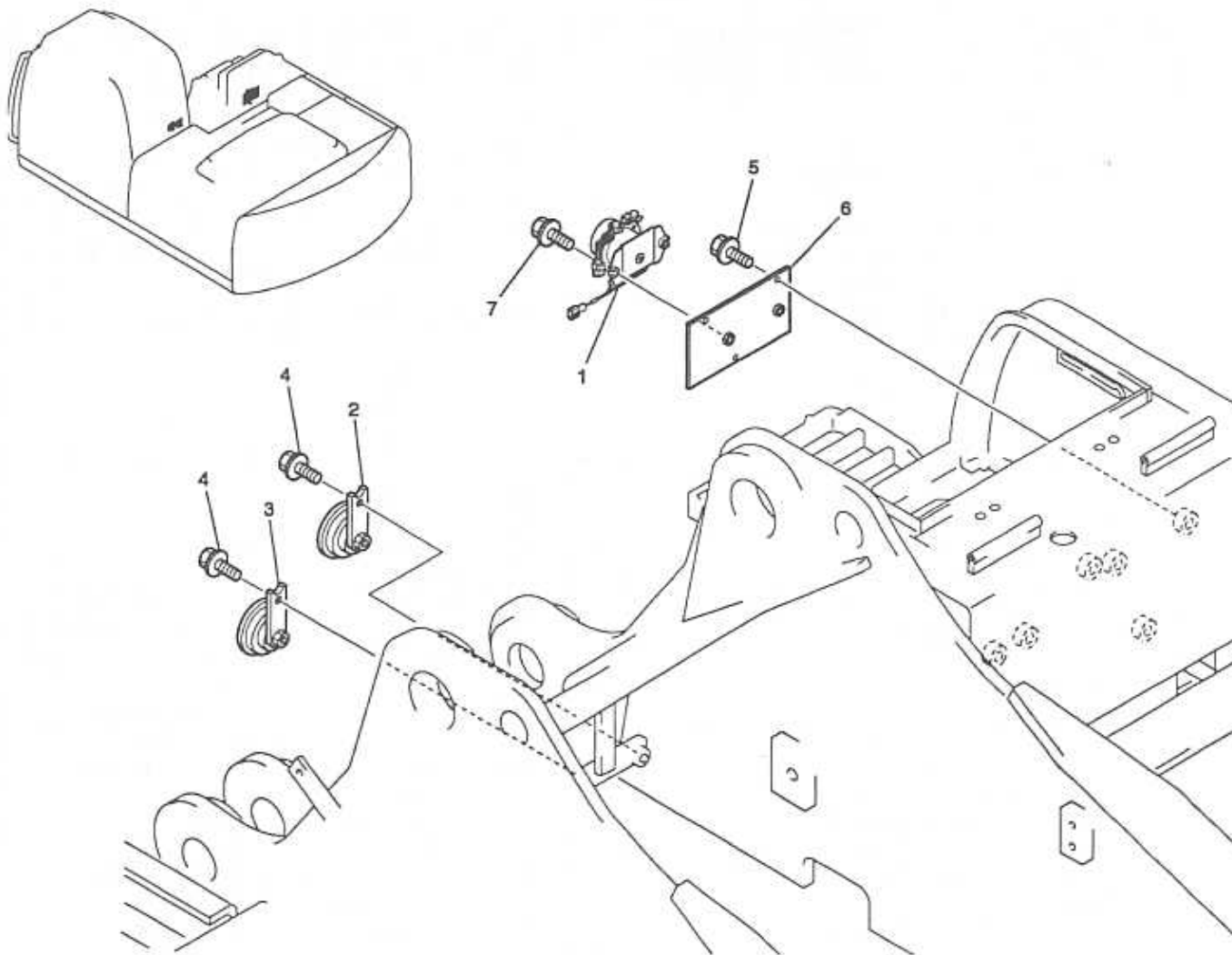
AIR CONDITIONER ASSEMBLY

YQ08U0969-

ITEM	PART NUMBER	DESCRIPTION	QTY
	LC20M00005F2	CONDITIONER ASSY, AIR	
1	YT20M00004S001	ACTUATOR	3
2	YT20M00004S002	VALVE	1
3	YT20M00004S003	THERMISTOR	1
4	24100U759S28	CLAMP	2
5	24100U1188S12	HOLDER, ROD	2
6	YT20M00004S006	HOLDER, SENSOR	2
7	24100U759S32	CLAMP	1
9	YT20M00004S009	CASE	1
10	YT20M00004S010	CASE	1
11	YT20M00004S011	CASE	1
14	YT20M00004S014	PACKING	1
15	YT20M00004S015	PACKING	1
16	YT20M00004S016	PACKING	1
17	YT20M00004S017	BRACKET	1
18	YT20M00004S018	CLAMP	1
19	YT20M00004S020	LEVER	2
20	YT20M00004S021	LEVER	1
21	YT20M00004S022	LEVER	1
22	YT20M00004S023	LEVER	4
23	YT20M00004S024	LEVER	4
24	YT20M00004S025	CAM	1
25	YT20M00004S026	ROD	1
26	YT20M00004S027	ROD	1
27	YT20M00004S028	ROD	1
28	YT20M00004S029	DAMPER	1
29	YT20M00004S030	DAMPER	1
30	LC20M00004S030	DAMPER	1
31	YT20M00004S032	DAMPER	1
32	YT20M00004S033	DAMPER	1
33	YT20M00004S034	DAMPER	1
34	YT20M00004S035	CORE, HEATER	1
35	YT20M00004S036	CONTROLLER	1
36	YN20M00016S015	RELAY	1
37	YT20M00004S038	CLAMP	1
38	YT20M00004S039	BAND	1

ITEM	PART NUMBER	DESCRIPTION	QTY
39	LC20M01015D1	HOSE, DUCT	1
40	LC20M00004S040	HARNESS	1
41	YT20M00004S042	RESISTOR	1
42	YT20M00004S043	CASE	1
43	YT20M00004S044	CASE	1
44	YT20M00004S045	BRACKET	2
45	YT20M00004S046	HOSE	1
46	YT20M00004S047	BLOWER, MOTOR	1
47	YT20M00004S048	CASE	1
48	YT20M00004S049	CASE	1
49	YT20M00004S050	FILTER	1
50	YT20M00004S051	LEVER	1
51	YT20M00004S052	LEVER	1
52	YT20M00004S053	DAMPER	1
53	YT20M00004S054	PLATE, FLANGE	1
54	YN52S00021F1	SENSOR	1
55	YT20M00004S056	SEMS-BOLT	1
56	YT20M00004S057	GASKET	1
57	YT20M00004S058	O-RING	1
58	YT20M00004S059	O-RING	1
59	YT20M00004S060	SCREW, TAPPING	6
60	YT20M00004S061	SCREW, TAPPING	13
61	YT20M00004S062	SCREW	31
62	YT20M00004S063	SEMS-BOLT	3
63	YT20M00004S064	SCREW, TAPPING	9
64	YT20M00004S066	CAPSCREW	2
65	YT20M00004S067	SCREW, TAPPING	5
66	LC20M01014D1	HOSE	2
67	24100U1176S5	CLAMP	2
68	YN20M01093S001	CLIP	2
69	YT20M00004S068	EVAPORATOR	1
70	YT20M00004S069	ADIABATIC	1
71	YT20M00004S070	ADIABATIC	1
	YT20M00004R100	REPAIR KIT	
		CONSISTS OF ITEM 69, 70, 71	

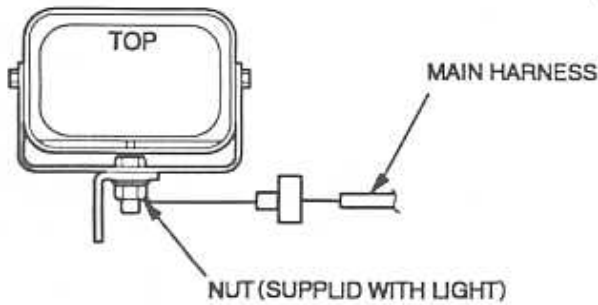
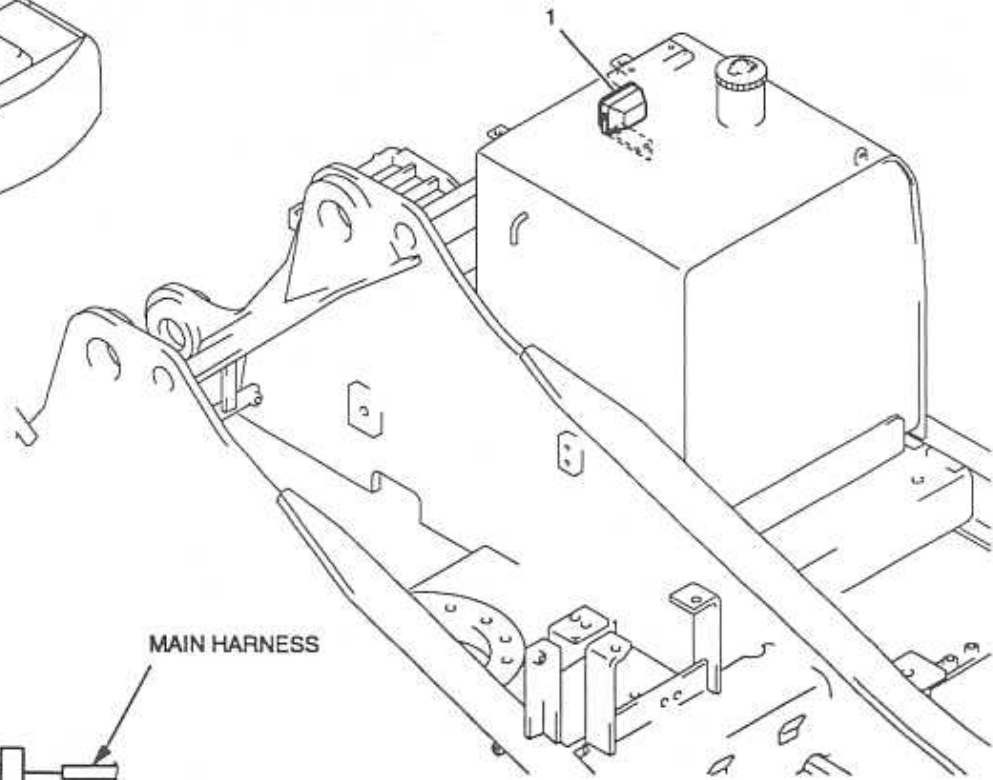
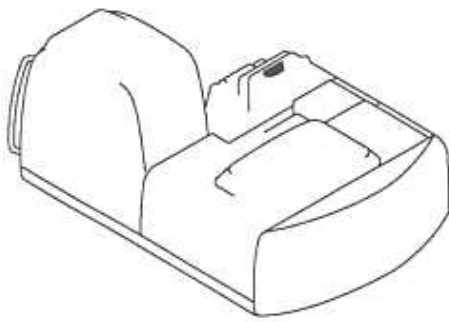
UPPER ELECTRICAL ASSEMBLY



ITEM	PART NUMBER	DESCRIPTION	QTY
	YN03E00010F1	ELECTRICAL ASSY, UPPER	
1	YN24S00003F1	RELAY, BATTERY (R-1)	1
2	2479U1009F1	HORN ASSY, HIGH (E-5)	1
3	2479U1009F2	HORN ASSY, LOW (E-6)	1
4	ZM11C08025	SEMS-BOLT (M6X25mm)	2
5	ZM22C08020	SEMS-BOLT (M6X20mm)	3
6	YN03E01014P1	BRACKET	1
7	ZM22C08030	SEMS-BOLT (M6X30mm)	2

LIGHT INSTALL

YQ08U0969-



HOW TO INSTAL LIGHT AT RIGHT SIDE DECK

ITEM	PART NUMBER	DESCRIPTION	QTY
	YN80E00025F1	LIGHT INSTL, UPPER	
1	2456R248	LIGHT	1

RT OF A HARNESS



MOTOR

4- SWING FLASHER & REAR WORKING LIGHT (RH)

SWP2: PUMP 2 PROPORTIONAL SOL

5-22: PRESSURE SENSOR - PUMP 2

5-22: PRESSURE SENSOR - PUMP 1

SWP1: PUMP 1 PROPORTIONAL SOL



- V

6-1: STARTER MOTOR

TO HARNESS (ENG. BUS)

ENG OIL LEVEL SW



X THE WHITE TAPING RT OF A HARNESS

6-10: RECEIVER DRIER

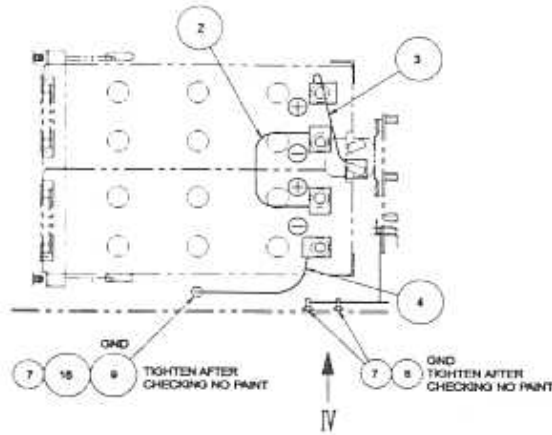
4-3: SWING FLASHER & REAR WORKING LIGHT (LH)

5: PRESSURE

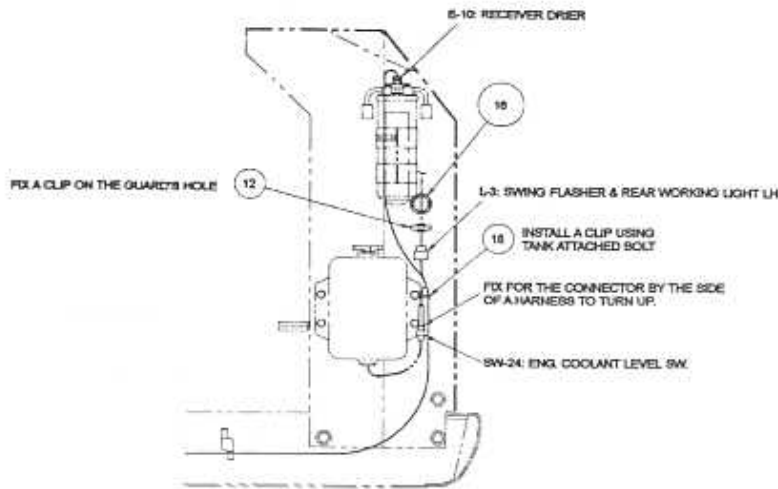
REVER DRIER

A HARNESS ON THE RECEIVER DRIER ATTACHMENT:

5-24: ENG. COOLANT LEVEL SW.

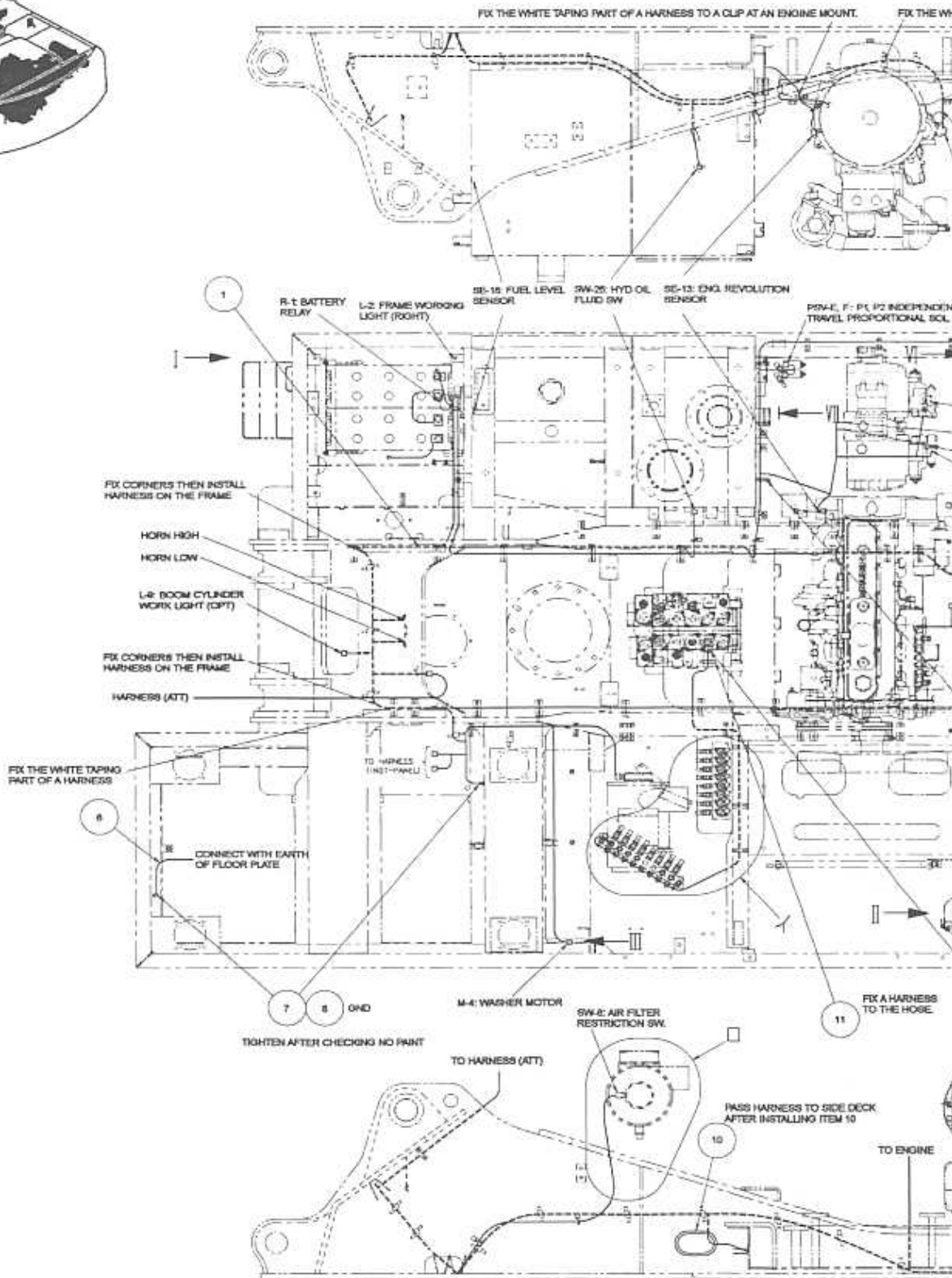
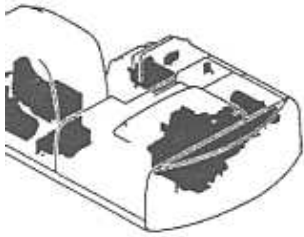


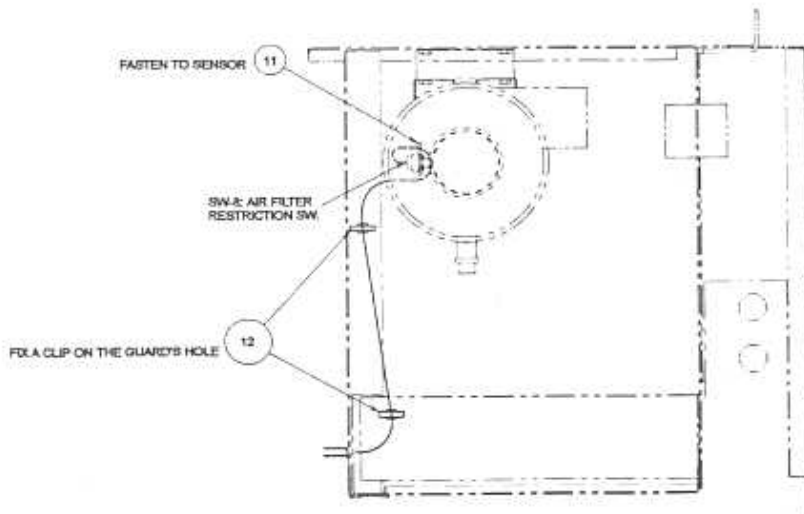
DETAIL OF BATTERY



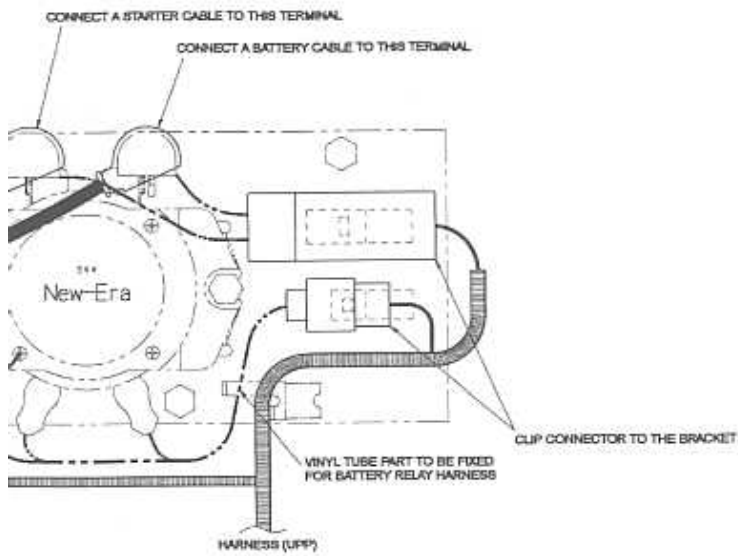
VIEW II

UPPER HARNESS



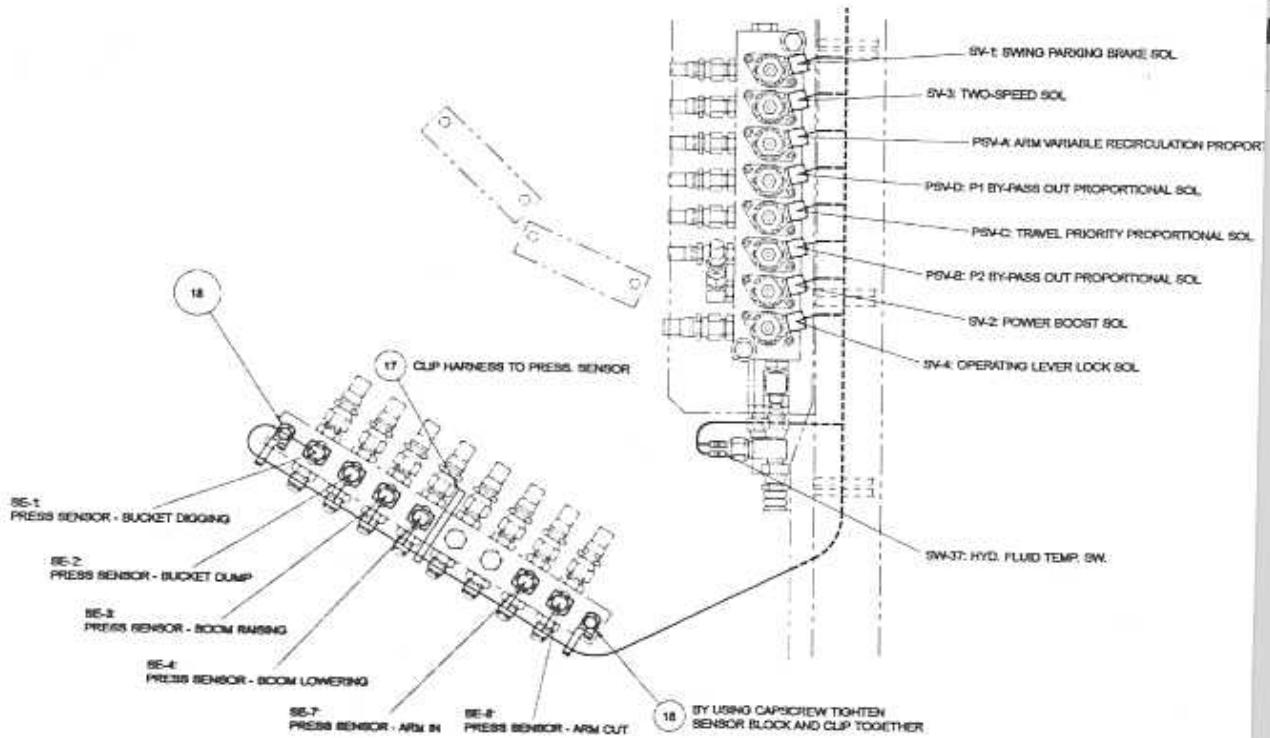


DETAIL D.

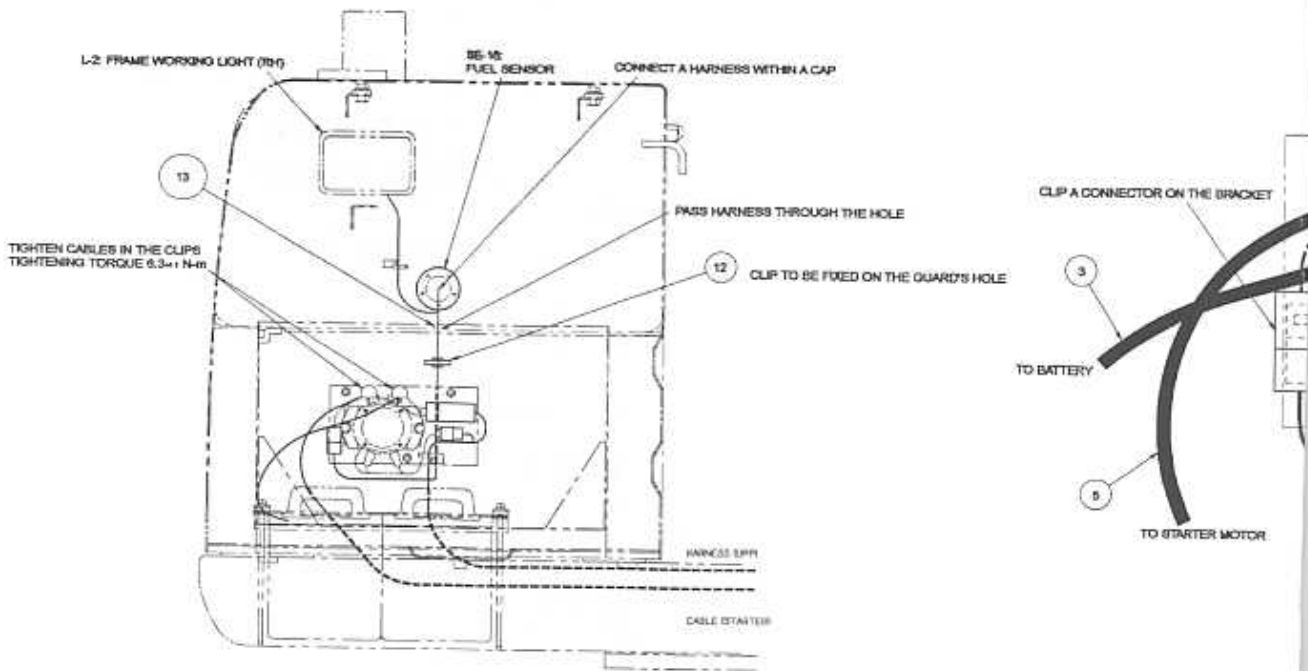


DETAIL OF BATTERY RELAY

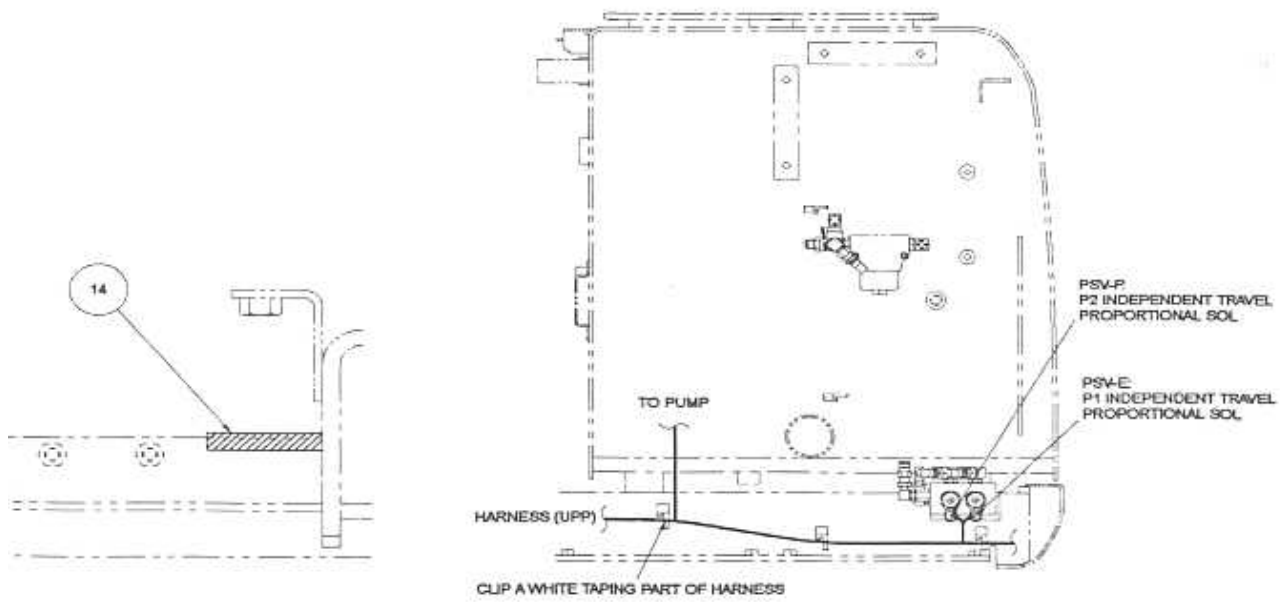
UPPER HARNESS



DETAIL OF 1.
(PV BLOCK & PRESSURE SENSOR)

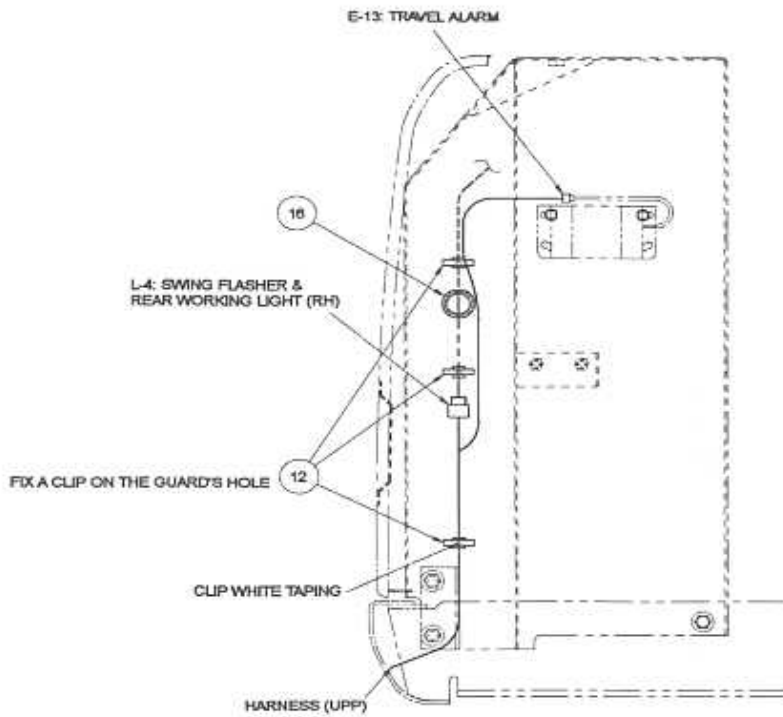


VIEW 1



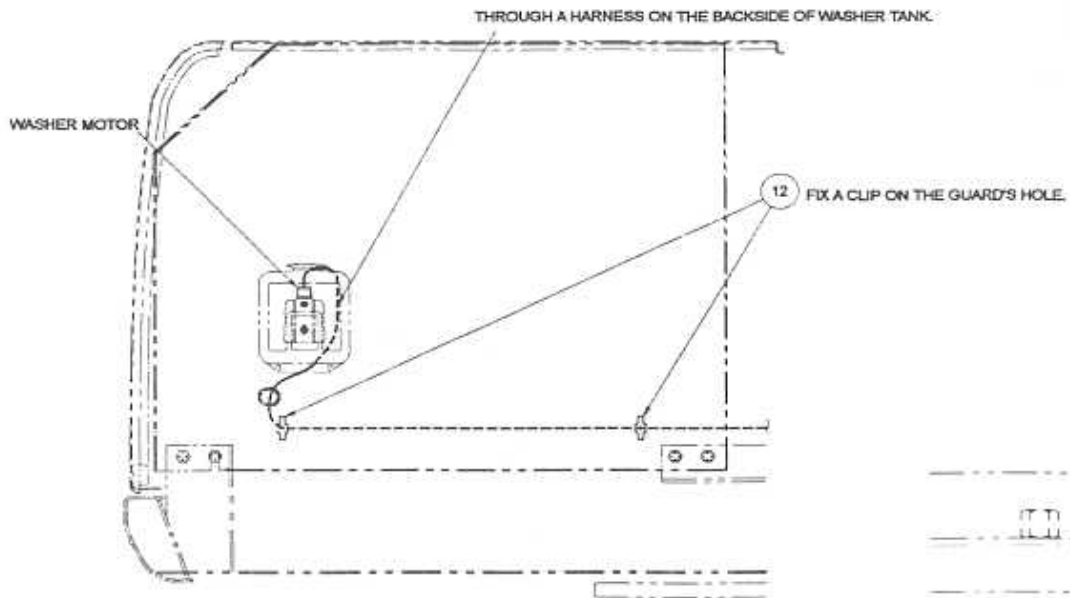
IV

VIEW VII

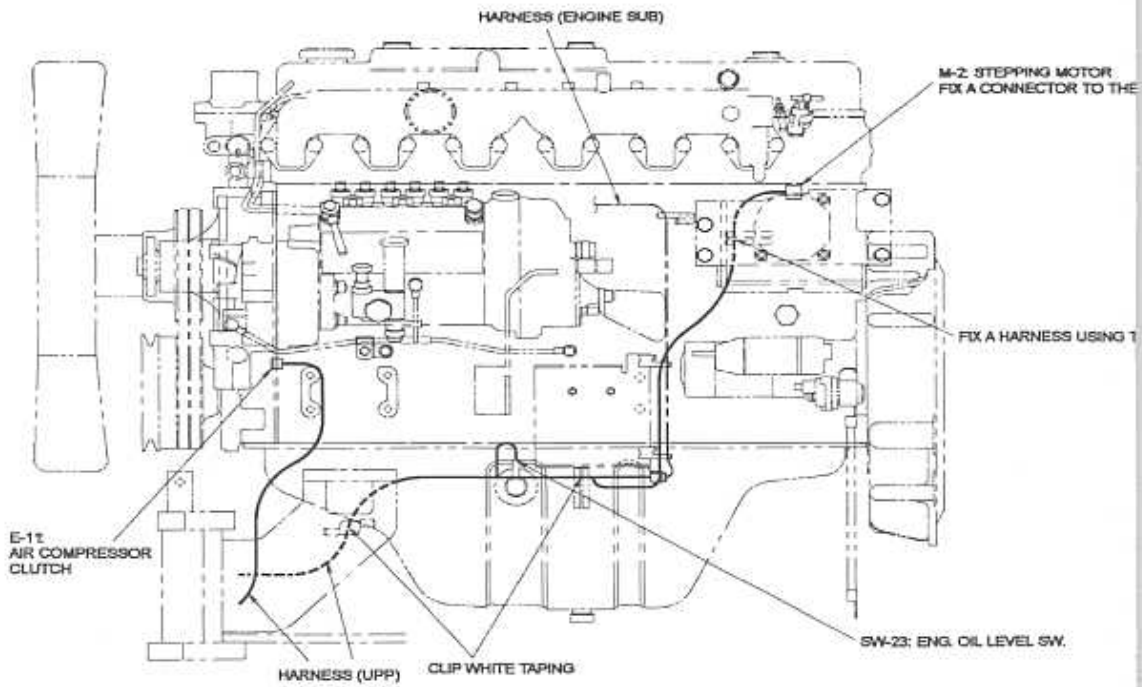


VIEW VI

UPPER HARN

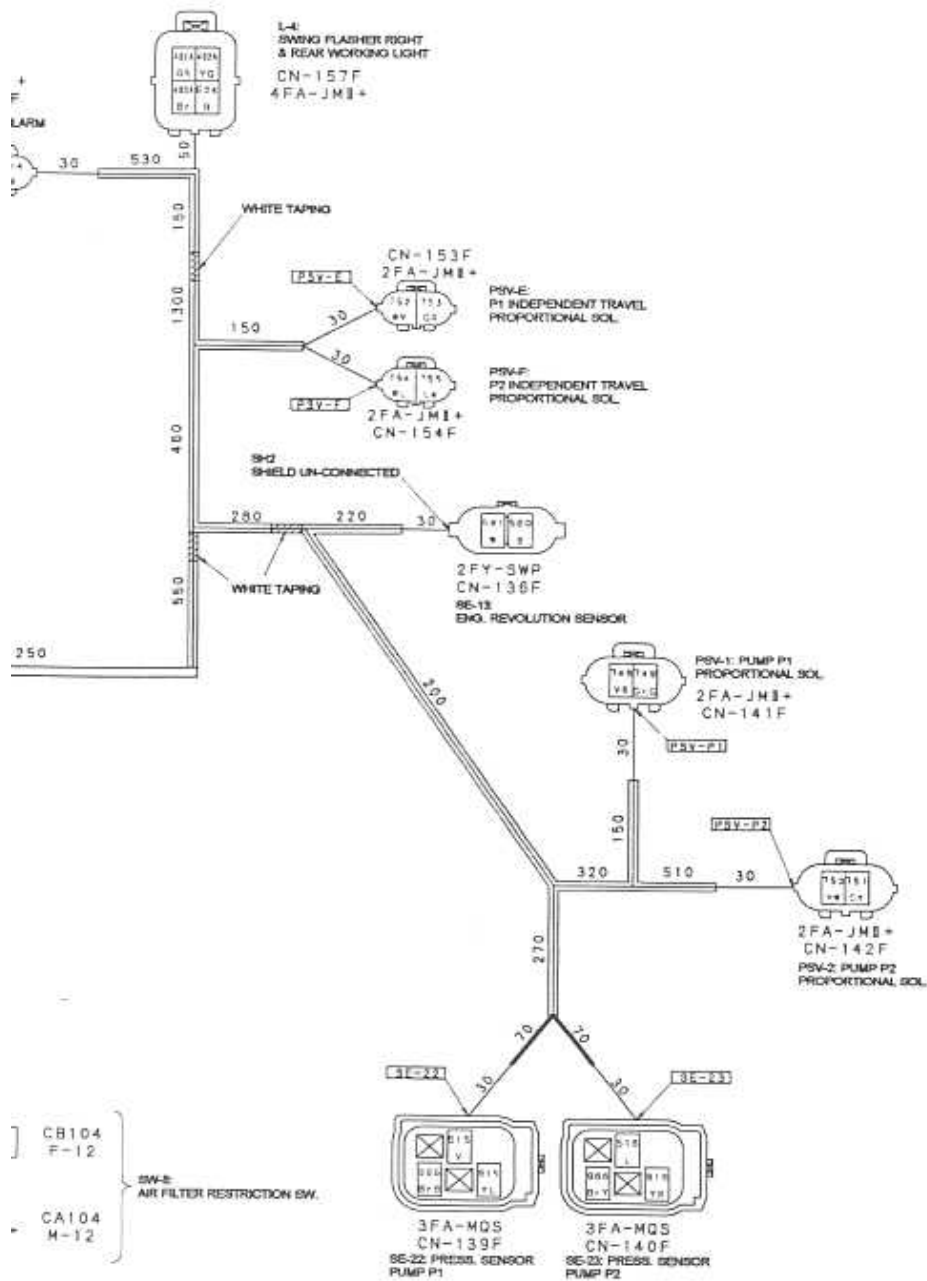


VIEW III

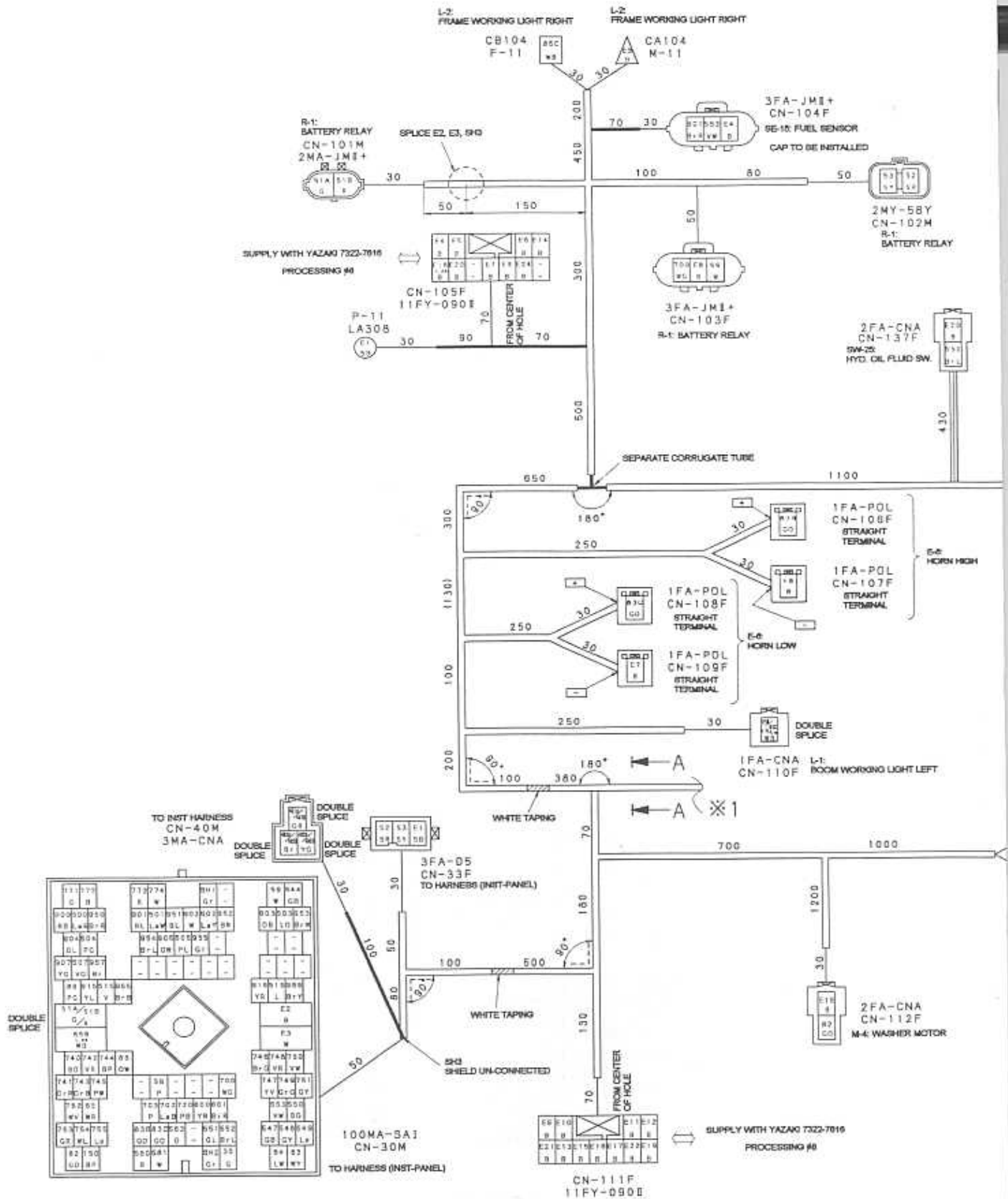


VIEW V

SEMBLY



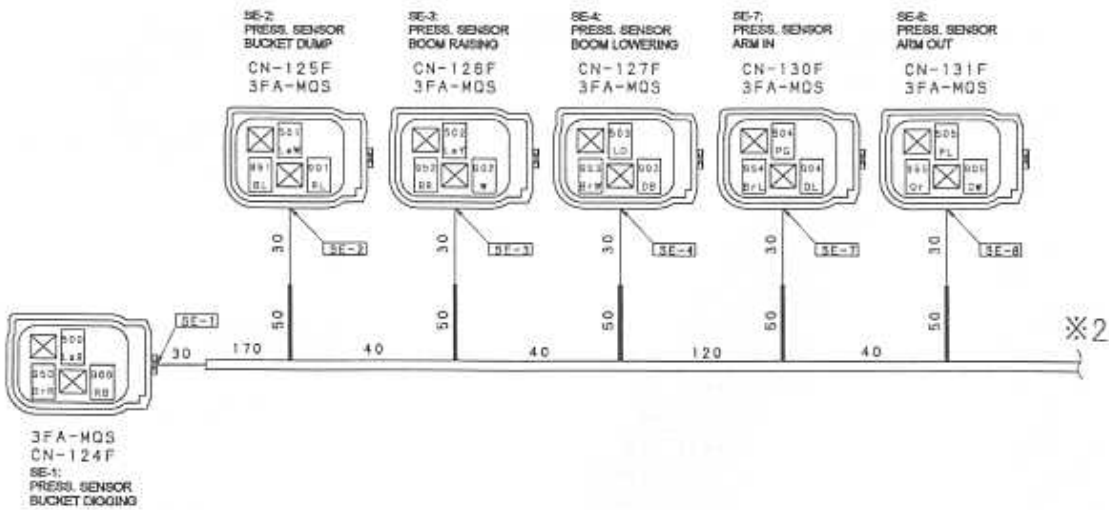
YN13E01308P1



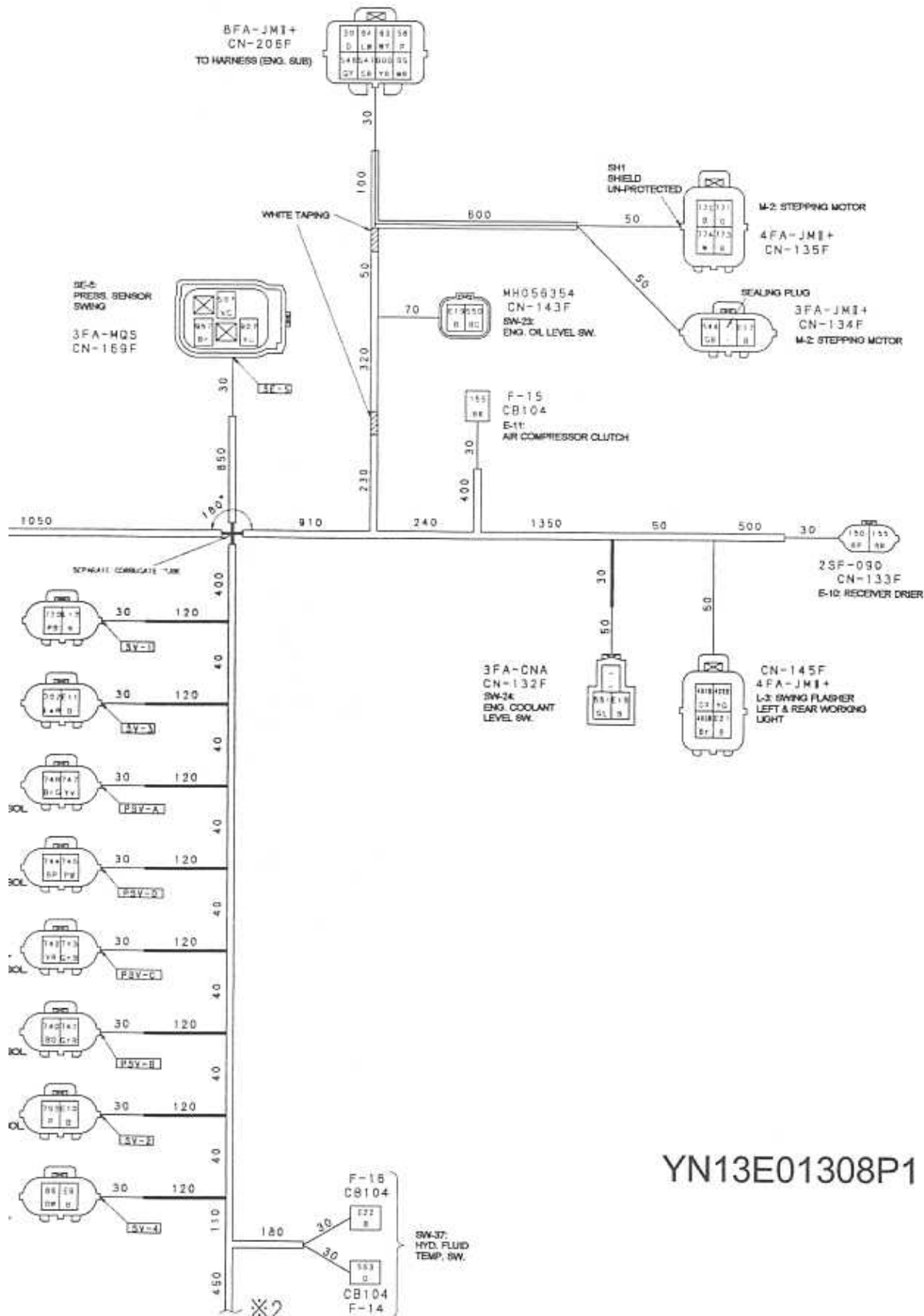
CONNECTORS SELECTION TABLE

CONNECTOR NAME (PIN NUM.)	MANUFUR	(PART NUMBER)						
		HOUSING	TERMINAL	ARMREST SEAL	RETAINER LOCK PLATE	SEALING PLUG	WIRE COVER	BOLT ASSY
1008K-SAI	AMP	179220-0	917087-5 175273-1 7114-2871				179544-1	175545-1
3FA-DS	AMP	1-179558-3	179558-22					
2FA-JME+	AMP	174352-2	171882-1	178888-2	1-174355-1			
2MA-JME+	AMP	174354-2	171881-1	178888-2	1-174355-1			
3FA-JME+	AMP	174357-2	171882-1 1-174358-1	178888-2	1-174358-1	172748-1		
4FA-JME+	AMP	174257-2	171882-1	178888-2	1-174258-1			
8FA-JME+	AMP	174882-2	171882-1	178888-2	1-174883-1			
1FA-CNA	AMP	172128-1	170032-2					
2FA-CNA	AMP	172130-1	170032-2					
3FA-CNA	AMP	172132-1	170032-2					
3MA-CNA	AMP	172131-1	170340-1					
CA104	AMP	170002-5	170887-1					
CS104	AMP	170003-5	170888-1					
1FA-PDL	AMP	171809-2	170233-1					
2MY-SBY	YAZAKI	7322-4329-39	7114-3250	7157-1580-80	7157-8800-60			
11FY-9901	YAZAKI	7283-1110	7116-4021					
2FY-SWP	YAZAKI	7123-1424-48	7116-1471	7157-7812	7157-7812-50			
2FS-699	SUMITOMO	8189-0084	1500-0110	7180-8234				
WH058354	WITSUBI SHI	FR825-82121						
3FA-MQS	AMP	3-987642-1	985908-5	987067-1				

※1



※2



YN13E01308P1

UPPER HARNESS

WIRE COLOR	WIRE SIZE	FROM	CONNECTION	TO
G	MVSS0. 75sq	CN-30M	DOUBLE SPLICE	CN-101M
R		CN-30M		CN-101M
B		CN-30M		
W		CN-30M		
Gr		UNCONNECTED	X	
B	AVSS1. 25sq	CN-105F		
G	AVSSX0. 75sq	CN-30M		CN-206F
R	AVSSsq	CN-33F		CN-102M
Y	AVSSsq	CN-33F		CN-102M
P	AVSSX0. 75sq	CN-206F		CN-30M
W	AVSS0. 75sq	CN-30M		CN-103F
WY	AVSSX0. 75sq	CN-206F		CN-30M
LW	AVSSX0. 75sq	CN-30M		CN-206F
WR	AVSSX0. 75sq	CN-30M		CN-206F
GO	AVSS0. 75sq	CN-30M		CN-112F
GO	AVSS0. 75sq	CN-30M		CN-106F
GO	AVSS0. 75sq	CN-30M		CN-108F
WB	AVSS1. 25sq	CN-30M	DOUBLE SPLICE	CN-110F
WB	AVSS0. 75sq	F-11		CN-110F
DW	AVSS0. 75sq	CN-30M		CN-116F
PG	AVSSX0. 75sq	CN-30M		CN-138F
BP	AVSS0. 75sq	CN-30M		CN-133F
BR	AVSS0. 75sq	F-15		CN-133F
GR	AVSSX0. 75sq	CN-157F	DOUBLE SPLICE	CN-40M
GR	AVSS0. 75sq	CN-145F		CN-40M
YG	AVSSX0. 75sq	CN-157F	DOUBLE SPLICE	CN-40M
YG	AVSS0. 75sq	CN-145F		CN-40M
Br	AVSSX0. 75sq	CN-157F	DOUBLE SPLICE	CN-40M
Br	AVSS0. 75sq	CN-145F		CN-40M
LeR	AVSS0. 75sq	CN-124F		CN-30M
LeW	AVSS0. 75sq	CN-125F		CN-30M
LeY	AVSS0. 75sq	CN-126F		CN-30M
LO	AVSS0. 75sq	CN-127F		CN-30M
PG	AVSS0. 75sq	CN-130F		CN-30M
PL	AVSS0. 75sq	CN-131F		CN-30M
VG	AVSS0. 75sq	CN-128F		CN-30M
V	AVSSX0. 75sq	CN-139F		CN-30M
L	AVSSX0. 75sq	CN-140F		CN-30M
GB	AVSSX0. 75sq	CN-134F		CN-30M
GB	AVSSX0. 75sq	CN-205F		CN-30M
GY	AVSSX0. 75sq	CN-206F		CN-30M
Le	AVSS0. 75sq	F-12		CN-30M
BG	AVSS0. 75sq	CN-143F		CN-30M
GL	AVSS0. 75sq	CN-132F		CN-30M
BrL	AVSSX0. 75sq	CN-137F		CN-30M
VW	AVSS0. 75sq	CN-104F		CN-30M
O	AVSS0. 75sq	F-14		CN-30M
B	PEXBS 0. 5sq	CN-136F		CN-30M
W		CN-136F		CN-30M
Gr		UNCONNECTED	X	CN-30M
YR	AVSSX0. 75sq	CN-206F		CN-30M

WIRE NO	WIRE COLOR	WIRE SIZE	FROM	CONNECTION	TO
501	BrR	AVSS0. 75sq	CN-30M		CN-104F
700	WG	AVSS0. 75sq	CN-103F		CN-30M
702	LeB	AVSS0. 75sq	CN-122F		CN-30M
703	P	AVSS0. 75sq	CN-117F		CN-30M
720	PB	AVSS0. 75sq	CN-30M		CN-123F
740	BO	AVSS0. 75sq	CN-118F		CN-30M
741	GrR	AVSS0. 75sq	CN-118F		CN-30M
742	VR	AVSS0. 75sq	CN-119F		CN-30M
743	GrB	AVSS0. 75sq	CN-119F		CN-30M
744	BP	AVSS0. 75sq	CN-120F		CN-30M
745	PW	AVSS0. 75sq	CN-120F		CN-30M
746	BrG	AVSS0. 75sq	CN-121F		CN-30M
747	YV	AVSS0. 75sq	CN-121F		CN-30M
748	VR	AVSSX0. 75sq	CN-30M		CN-141F
749	GrG	AVSSX0. 75sq	CN-30M		CN-141F
750	VW	AVSSX0. 75sq	CN-30M		CN-142F
751	GY	AVSSX0. 75sq	CN-30M		CN-142F
752	WV	AVSS0. 75sq	CN-153F		CN-30M
753	GR	AVSS0. 75sq	CN-153F		CN-30M
754	WL	AVSS0. 75sq	CN-154F		CN-30M
755	Le	AVSS0. 75sq	CN-154F		CN-30M
771	G	PEXBS 0. 5sq	CN-135F		CN-30M
772	B		CN-135F		CN-30M
773	R		CN-135F		CN-30M
774	W		CN-135F		CN-30M
SH1	Gr		UNCONNECTED	X	CN-30M
900	RB	AVSS0. 75sq	CN-124F		CN-30M
901	RL	AVSS0. 75sq	CN-125F		CN-30M
902	W	AVSS0. 75sq	CN-126F		CN-30M
903	OB	AVSS0. 75sq	CN-127F		CN-30M
904	OL	AVSS0. 75sq	CN-130F		CN-30M
905	OW	AVSS0. 75sq	CN-131F		CN-30M
907	YG	AVSS0. 75sq	CN-128F		CN-30M
915	YL	AVSSX0. 75sq	CN-139F		CN-30M
916	YR	AVSSX0. 75sq	CN-140F		CN-30M
950	BrR	AVSS0. 75sq	CN-124F		CN-30M
951	BL	AVSS0. 75sq	CN-125F		CN-30M
952	BR	AVSS0. 75sq	CN-126F		CN-30M
953	BrW	AVSS0. 75sq	CN-127F		CN-30M
954	BrL	AVSS0. 75sq	CN-130F		CN-30M
955	Gr	AVSS0. 75sq	CN-131F		CN-30M
957	Br	AVSS0. 75sq	CN-128F		CN-30M
965	BrB	AVSSX0. 75sq	CN-139F		CN-30M
966	BrY	AVSSX0. 75sq	CN-140F		CN-30M
E1	B	AVSSsq	CN-33F		P-11
E4	B	AVSS0. 75sq	CN-104F		CN-105F
E5	B	AVSS0. 75sq	M-11		CN-105F
E6	B	AVSS0. 75sq	CN-107F		CN-105F
E7	B	AVSS0. 75sq	CN-109F		CN-105F
E8	B	AVSS0. 75sq	CN-103F		CN-105F
E9	B	AVSS0. 75sq	CN-116F		CN-111F
E10	B	AVSS0. 75sq	CN-117F		CN-111F
E11	B	AVSS0. 75sq	CN-122F		CN-111F
E12	B	AVSS0. 75sq	CN-123F		CN-111F
E13	B	AVSS0. 75sq	M-12		CN-111F
E14	B	AVSSX0. 75sq	CN-138F		CN-105F

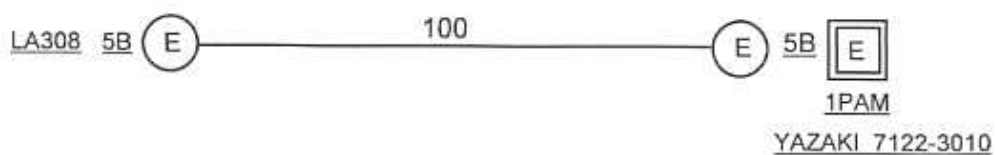
WIRE NO
E15
E16
E17
E19
E20
E21
E22
E24

YN13E01308P1

SEMBLY

WIRE SIZE	FROM	CONNECTION	TO
SS0.75sq	CN-112F	—————	CN-111F
SS0.75sq	CN-132F	—————	CN-111F
SSX0.75sq	CN-134F	—————	CN-111F
SS0.75sq	CN-143F	—————	CN-111F
SSX0.75sq	CN-137F	—————	CN-105F
SS0.75sq	CN-145F	—————	CN-111F
SS0.75sq	F-16	—————	CN-111F
SSX0.75sq	CN-157F	—————	CN-105F

YN13E01308P1

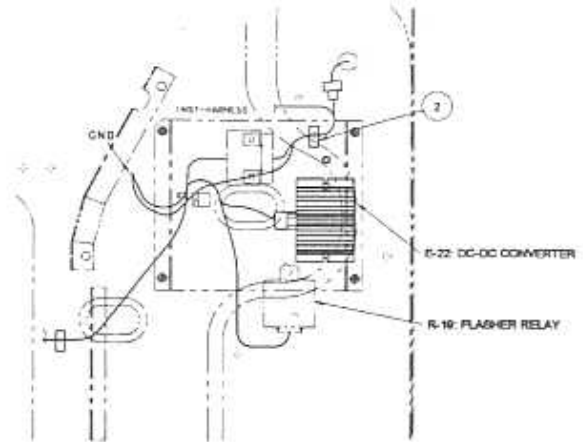
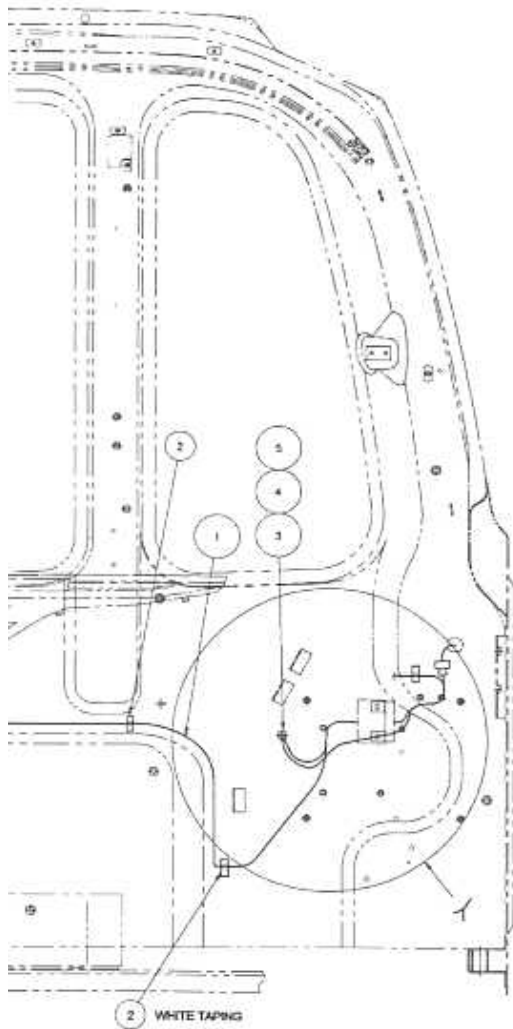
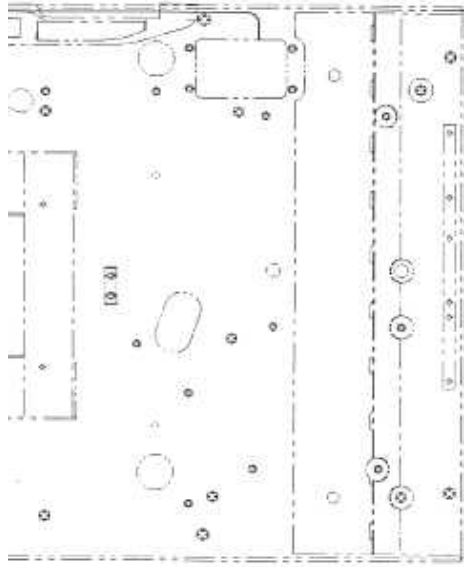


LE13E01006P1

UPPER HARNESS ASSEMBLY

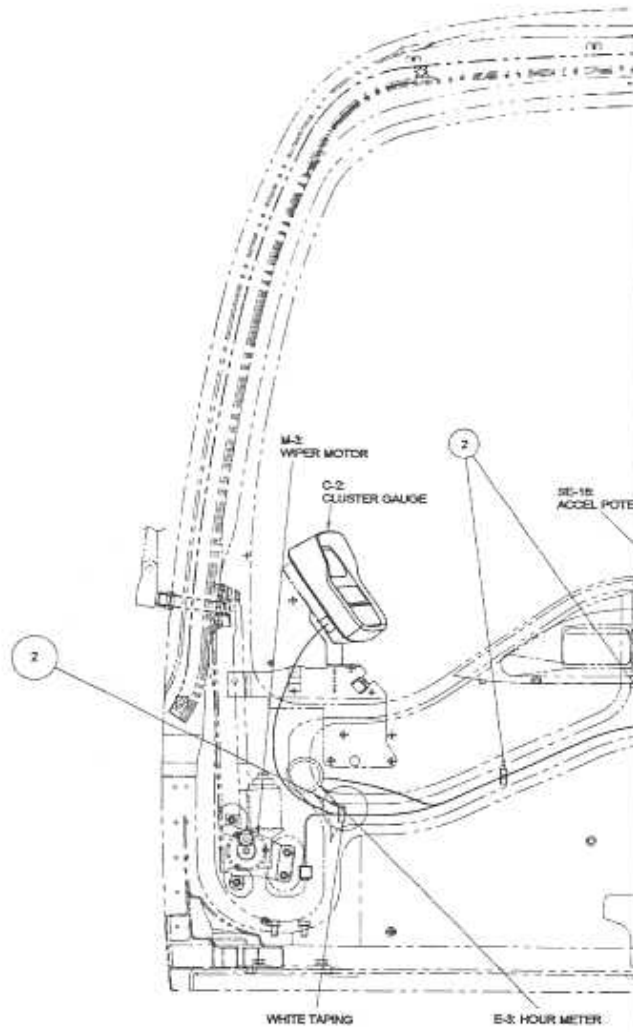
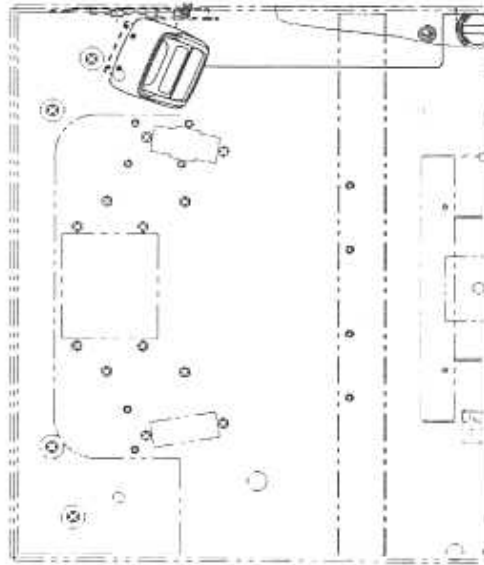
YQ08U0969-

ITEM	PART NUMBER	DESCRIPTION	QTY	
	YN13E00076F1	HARNESS ASSY, UPPER		
1	YN13E01308P1	HARNESS	1	See 266-01-4
2	YN13E01053D2	CABLE	1	
3	2486R89D5	CABLE	1	
4	YN13E01118P1	CABLE	1	See 266-01-6
5	YN13E01279P1	CABLE	1	
6	LE13E01006P1	HARNESS	1	
7	ZW26X08000	LOCK WASHER (M8)	5	
8	ZN18C08007	NUT (M8)	4	
9	ZS18C08016	CAPSCREW (M8X16mm)	1	
10	LC13E01002D1	GROMMET	1	
11	PY01P01043D3	CLIP	2	
12	YN03E01001D5	CLIP	7	
13	2420Z1330	GROMMET	1	
14	2427Z1594D006	TRIM	1	
15	ZW16X08000	WASHER (M8)	1	
16	2420R372D19	GROMMET	2	
17	PY01P01043D5	CLIP	1	
18	2432R233D3	CLIP	3	
19	ZC46X38014	CLIP	1	
20	ZW16X10000	WASHER (M10)	1	
21	ZN18C10008	NUT (M10)	1	
	YN03Z00045P1	SCHEMATIC, ELECTRICAL		(NOT SERVICABLE)



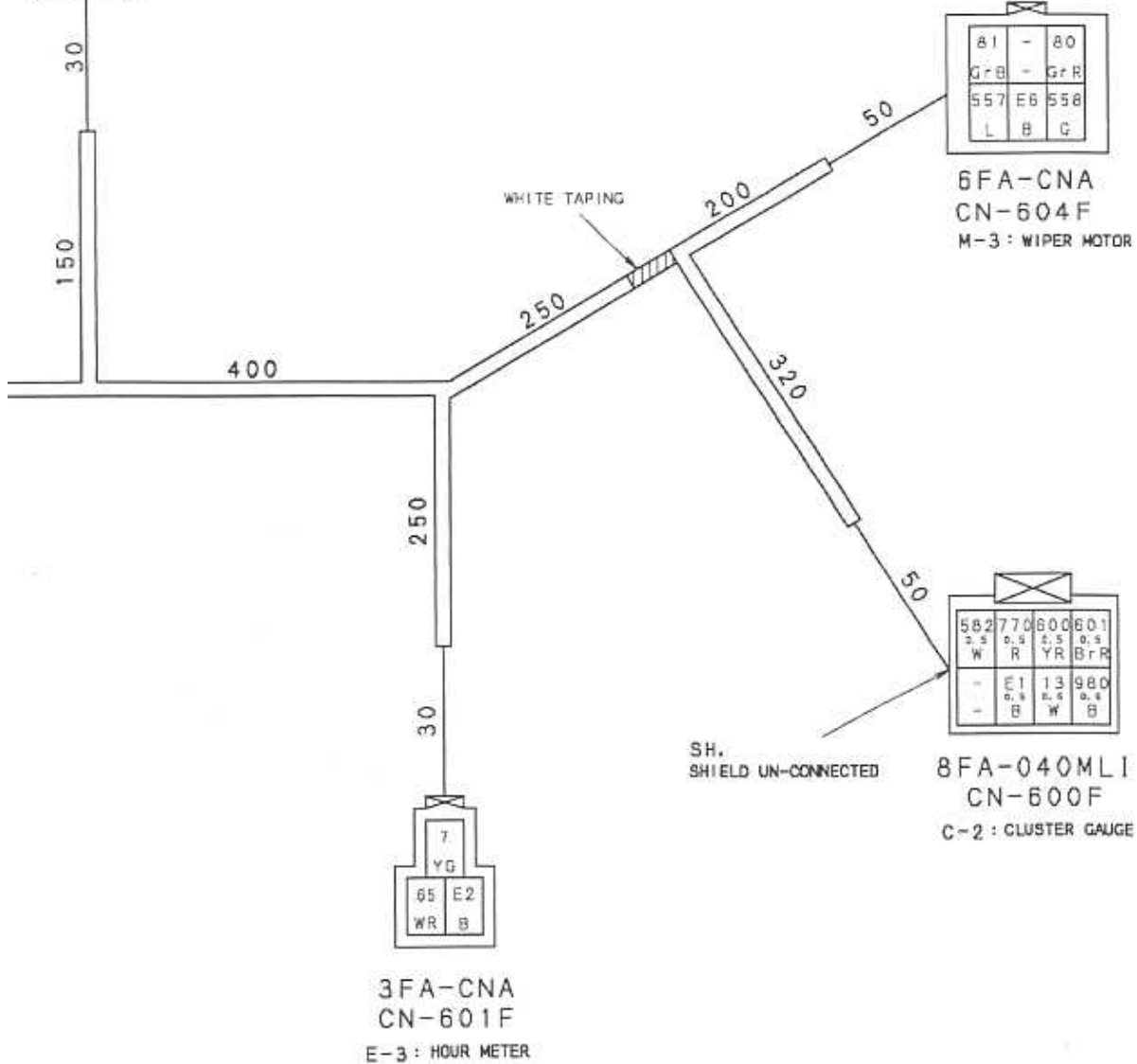
DETAIL 1

HARNES



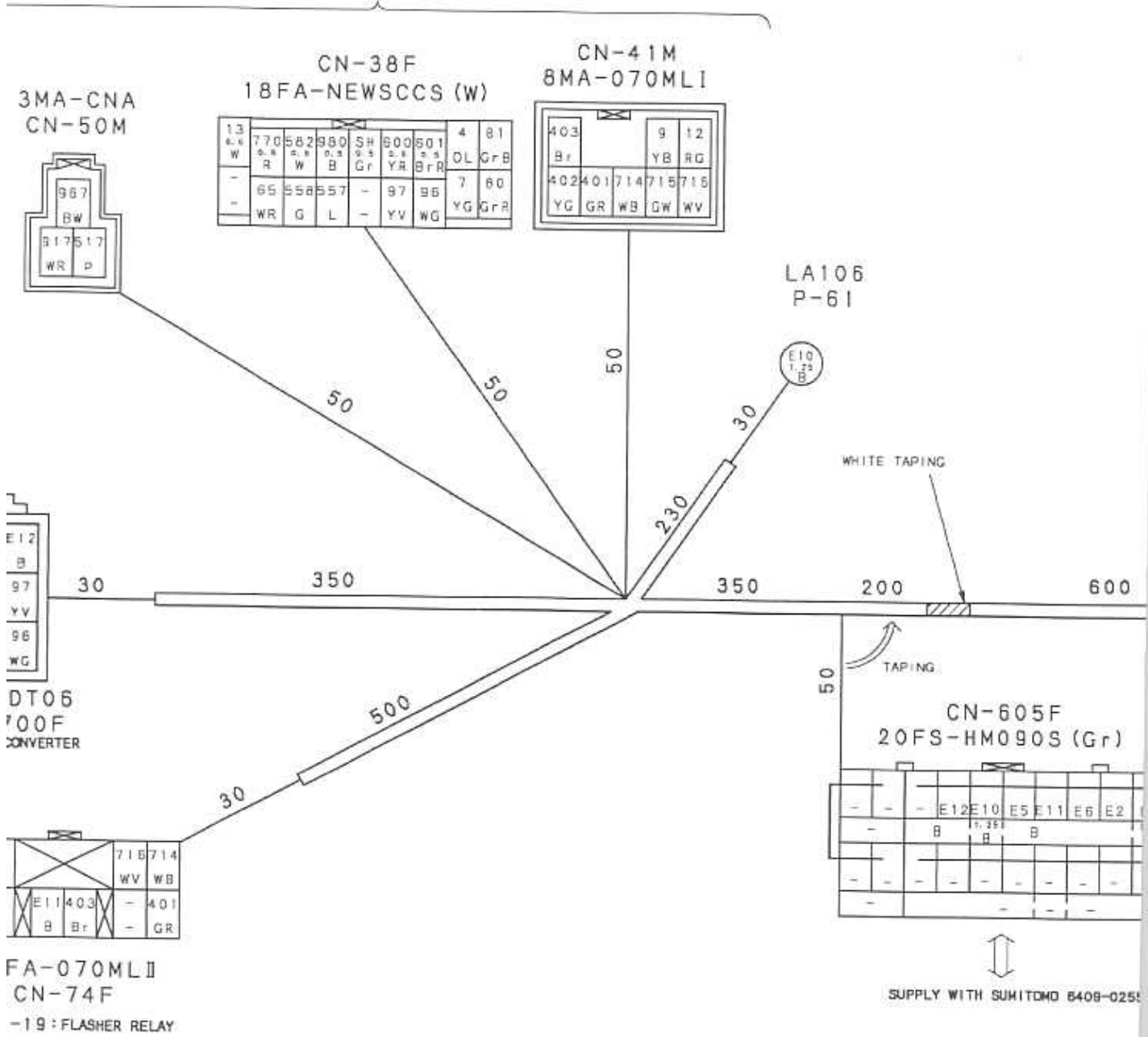
.Y

SE-16:
ACCEL POTENTIO
CN-609F
3FA-JM1+



HARNESS ASS
(CAB)

TO INST-PANEL HARNESS



YM14E01009P1

WIRE NO	WIRE COLOR	WIRE SIZE	FROM	CONNECTION	TO
4	DL	AVSS0.75sq	CN-700F	—————	CN-38F
7	YG	AVSS0.75sq	CN-601F	—————	CN-38F
9	YB	AVSS0.75sq	CN-700F	—————	CN-41M
12	RG	AVSS0.75sq	CN-74F	—————	CN-41M
13	W	AVS0.5sq	CN-600F	—————	CN-38F
55	WR	AVSS0.75sq	CN-601F	—————	CN-38F
80	GrR	AVSS0.75sq	CN-604F	—————	CN-38F
81	GrB	AVSS0.75sq	CN-604F	—————	CN-38F
95	WG	AVSS0.75sq	CN-700F	—————	CN-38F
97	YV	AVSS0.75sq	CN-700F	—————	CN-38F
401	GR	AVSS0.75sq	CN-74F	—————	CN-41M
402	YG	AVSS0.75sq	CN-74F	—————	CN-41M
403	Br	AVSS0.75sq	CN-74F	—————	CN-41M
517	P	AVSS0.75sq	CN-609F	—————	CN-50M
557	L	AVSS0.75sq	CN-604F	—————	CN-38F
558	G	AVSS0.75sq	CN-604F	—————	CN-38F
582	W	MVVS0.5f**	CN-600F	—————	CN-38F
770	R	3芯シールド線	CN-600F	—————	CN-38F
980	B		CN-600F	—————	CN-38F
SH	Gr		UN-CONNECTED	X	CN-38F
600	YR	AVS0.5sq	CN-600F	—————	CN-38F
601	BrR	AVS0.5sq	CN-600F	—————	CN-38F
714	WB	AVSS0.75sq	CN-41M	—————	CN-74F
715	GW	AVSS0.75sq	CN-41M	—————	CN-74F
716	WV	AVSS0.75sq	CN-41M	—————	CN-74F
917	WR	AVSS0.75sq	CN-50M	—————	CN-609F
967	BW	AVSS0.75sq	CN-50M	—————	CN-609F
E1	B	AVS0.5sq	CN-600F	—————●	CN-605F
E2	B	AVSS0.75sq	CN-601F	—————●	CN-605F
E5	B	AVSS0.75sq	CN-700F	—————●	CN-605F
EB	B	AVSS0.75sq	CN-604F	—————●	CN-605F
E10	B	AVSS1.25sq	P-61	—————●	CN-605F
E11	B	AVSS0.75sq	CN-74F	—————●	CN-605F
E12	B	AVSS0.75sq	CN-700F	—————●	CN-605F

CONNECTOR NAME (PIN NUM.)	MANUFUC.
3FA-CNA	AMP
8FA-CNA	AMP
8FA-040ML1	AMP
18FA-NEWSCCS (W)	AMP
20FS-HM0905 (Gr)	SUMITOMO
8NA-070ML1	AMP
12FA-070ML1	AMP
8FD-0T08	DEUTCH
3FA-JMI+	AMP
3MA-CNA	AMP

YM14

ASSEMBLY

3)

YQ08U0969~

CONNECTORS SELECTION TABLE

PART. NUMBER				
	TERMINAL	HARNESS SEAL	RETAINER LOCK PLATE	SEALING PLUG
1	170032-2			
1	170233-1			
2	170233-1			
1	175268-1 175268-2			
31 55	8240-4422			
1	173845-1			
6	173831-1			
26	1062-16-0122		W85-P012	
2	171862-1	178888-2	1-174358-1	
1	170340-1			

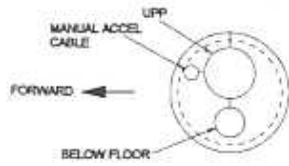
109P1

ITEM	PART NUMBER	DESCRIPTION	QTY
	YM14E00006F1	HARNESS ASSY, UPPER (CAB)	
1	YM14E01009P1	HARNESS	1
2	YN03E01001D5	CLIP	6
3	ZS18C06016	CAPSCREW (M6X16mm)	1
4	ZW26X06000	LOCK WASHER (M6)	1
5	ZW16X06000	WASHER (M6)	1

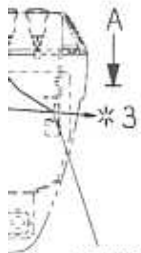
See 266-01-9

LY

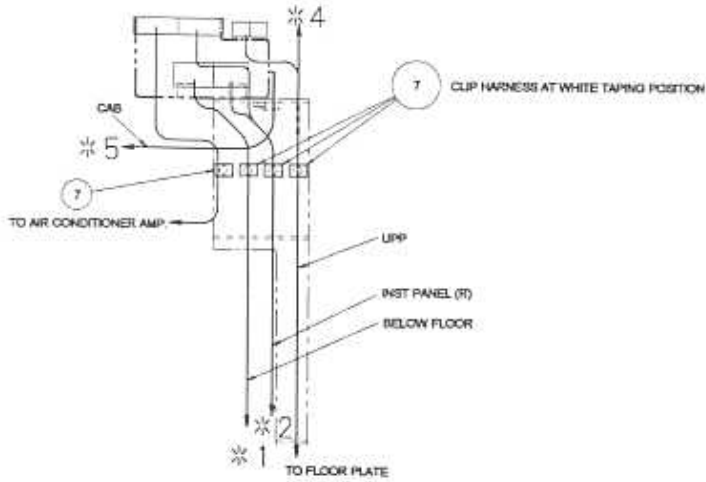
HARNESS AT WHITE TAPING POSITION



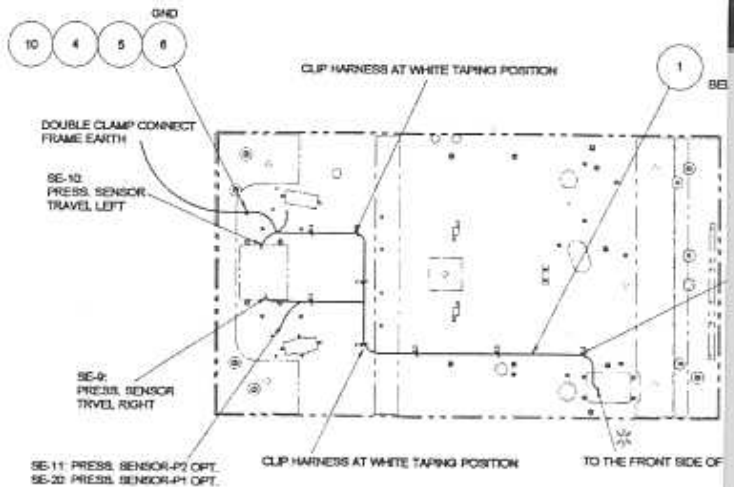
DETAIL OF ITEM 8
HOW TO TIGHTEN HARNESS



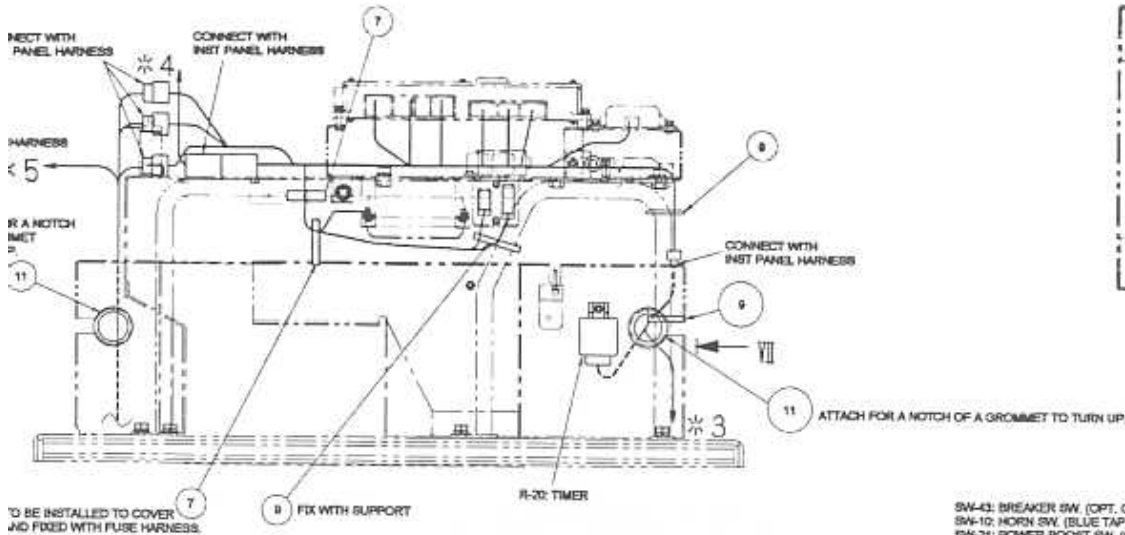
HARNASS ASS (FLOOR PLATE)



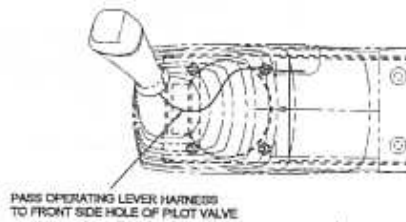
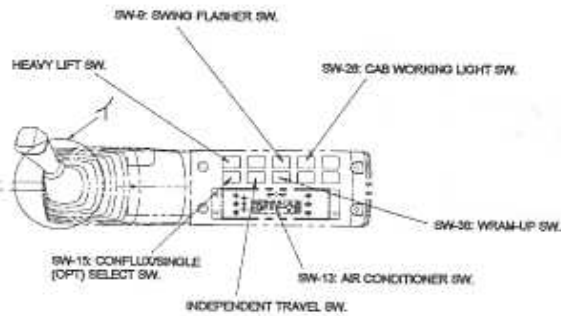
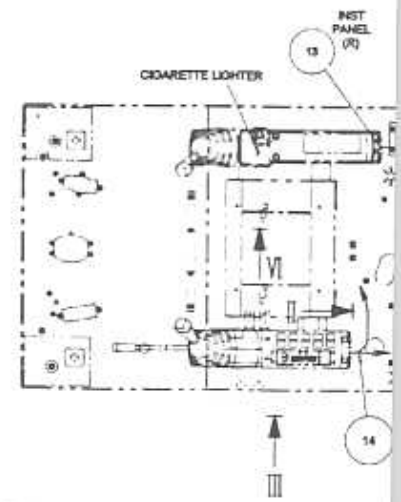
VIEW I



VIEW OF UNDERSIDE OF THE FLOOR PLATE



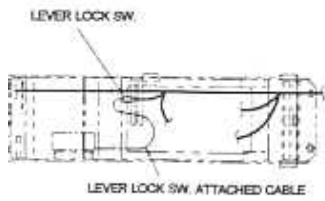
VIEW II



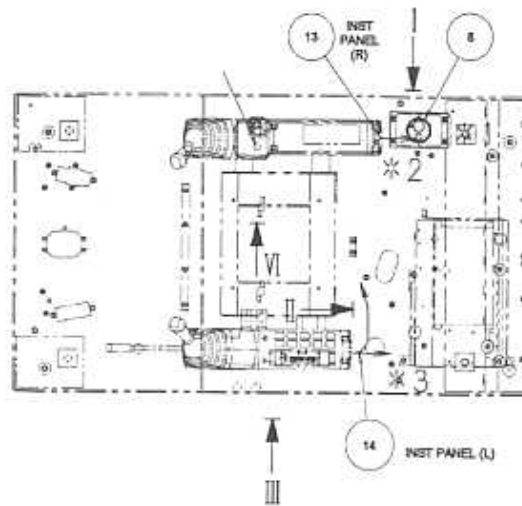
VIEW I

ASSEMBLY
(LATE)

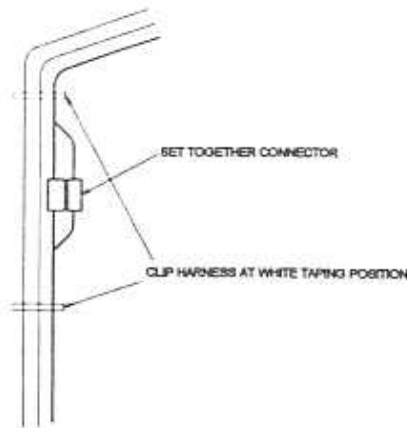
YQ08U0969-



LEVER LOCK SW CONNECTION

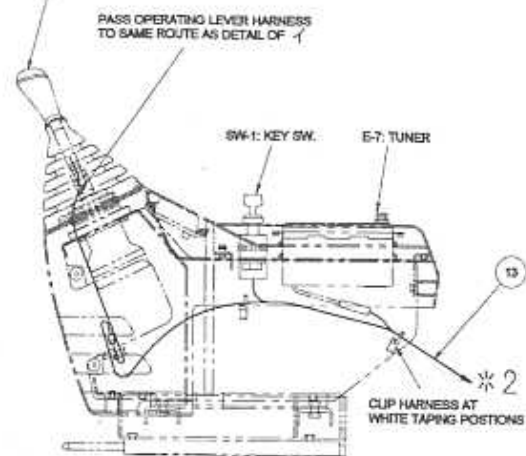
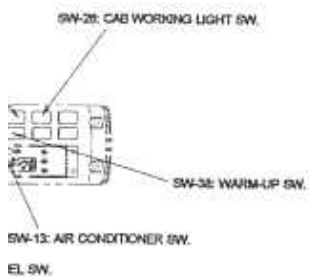


LEVER



VIEW VII

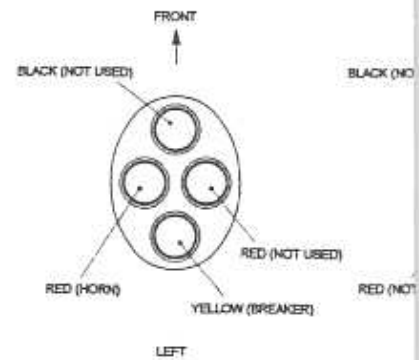
SW-21: POWER BOOST SW. (YELLOW TAPING)
SW-10: HORN SW. (OPT. BLUE TAPING)



VIEW IV

HARNES
(FLOOR

SECTION A-A PART



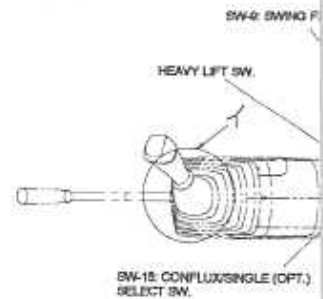
DETAIL OF GRIP (OP

ITEM	PART NUMBER	DESCRIPTION	QTY
	YN13E0074F3	HARNES ASSY, UPPER (FLOOR PLATE)	
1	YN13E01290P2	HARNES	1
4	ZW26X08000	LOCK WASHER (M8)	1
5	ZW16X08000	WASHER (M8)	1
6	ZN18C08007	NUT (M8)	1
7	YN03E01001D5	CLIP	6
8	YN13E01190P1	GROMMET	1
9	PY01P01043D3	CLIP	3
10	LE13E01005P1	CABLE	1
11	YN13E01307P1	GROMMET	2
13	YN13E01327P1	HARNES	1
14	YN13E01328P1	HARNES	1

See 266-01-13

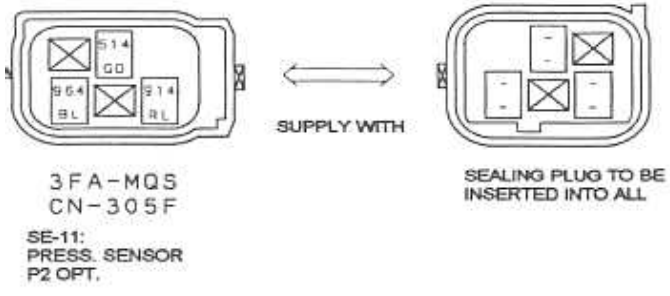
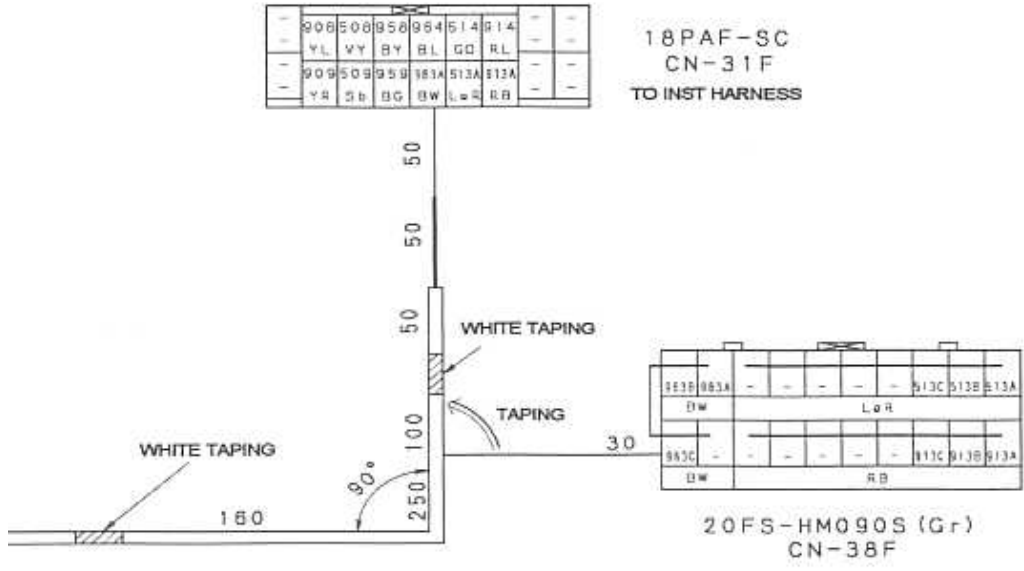
See 266-01-14

See 266-01-15



INDEX

VIEW

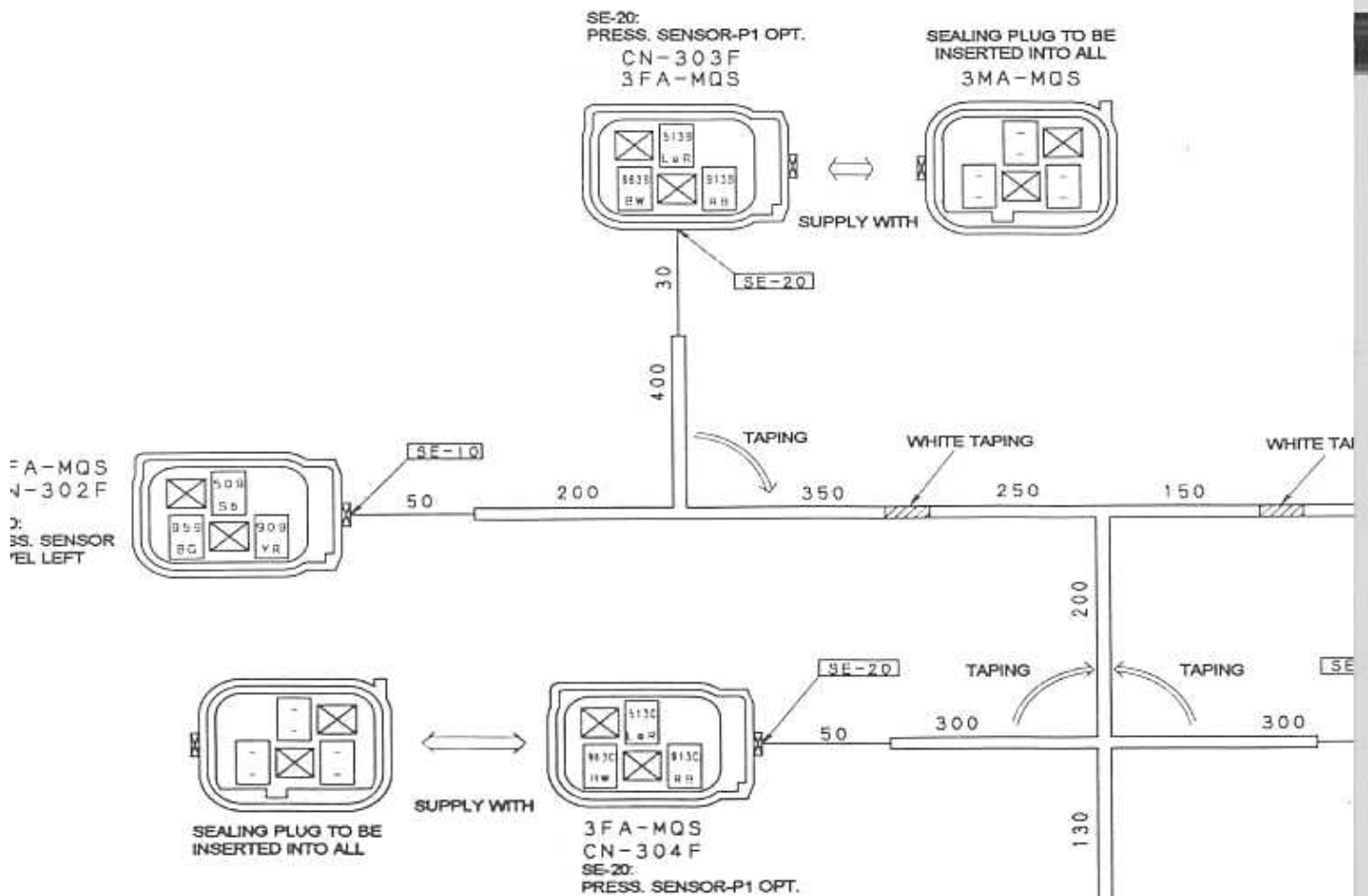


CONNECTORS SELECTION TABLE

IE	MANUFUC.	[PART. NUMBER]					
		HOUSING	TERMINAL	HARNESS SEAL	RETAINER LOCK PLATE	SEALING PLUG	CLIP
1	AMP	2-967842-1	965906-5	967087-1			
1	AMP	2-967082-1				967056-1	
2	AMP	178890-1	175266-2				
1)	SUMITOMO	8400-0061 8400-0255	8240-4422				

(1) YN13E01290P2

HARNESS ASS (FLOOR PL



3FA-MQS
CN-302F
PRESS. SENSOR
P1 OPT. LEFT

SEALING PLUG TO BE
INSERTED INTO ALL

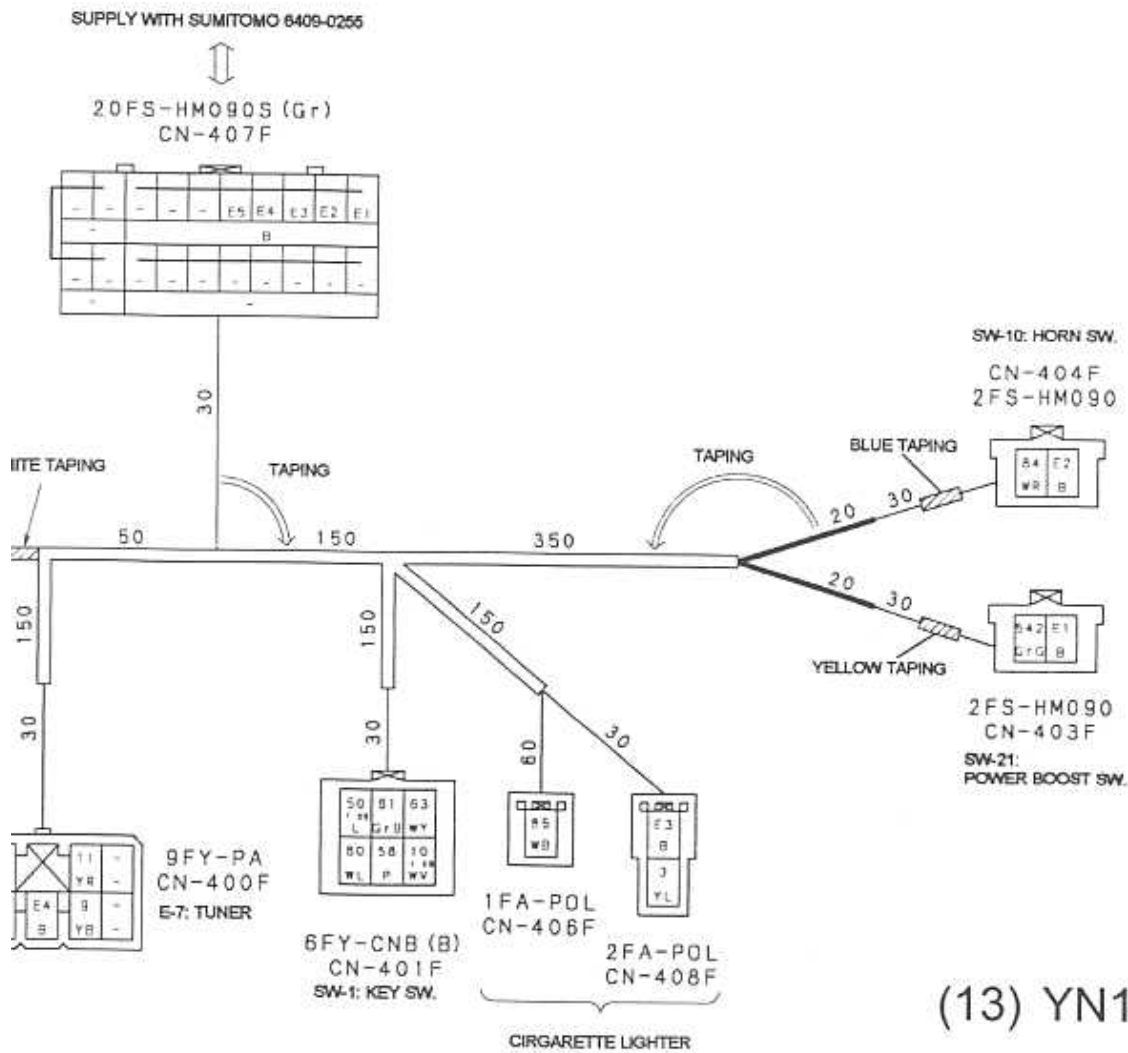
SUPPLY WITH

3FA-MQS
CN-304F
SE-20:
PRESS. SENSOR-P1 OPT.

3FA-MQS
CN-301F

SE-9:
PRESS. SENSOR
TRAVEL RIGHT

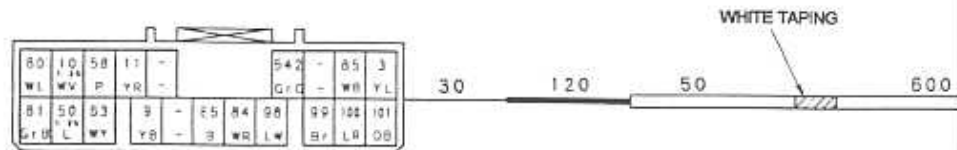
WIRE NO	WIRE COLOR	WIRE SIZE	FROM	CONNECTION	TO
508	VY	AVSS0.75sq	CN-301F	————	CN-31F
509	Sb	AVSS0.75sq	CN-302F	————	CN-31F
513A	L _g R	AVSS0.75sq	CN-31F	————●	CN-38F
513B	L _g R	AVSS0.75sq	CN-303F	————●	CN-38F
513C	L _g R	AVSS0.75sq	CN-304F	————●	CN-38F
514	GO	AVSS0.75sq	CN-305F	————	CN-31F
908	YL	AVSS0.75sq	CN-301F	————	CN-31F
909	YR	AVSS0.75sq	CN-302F	————	CN-31F
913A	RB	AVSS0.75sq	CN-31F	————●	CN-38F
913B	RB	AVSS0.75sq	CN-303F	————●	CN-38F
913C	RB	AVSS0.75sq	CN-304F	————●	CN-38F
914	RL	AVSS0.75sq	CN-305F	————	CN-31F
958	BY	AVSS0.75sq	CN-301F	————	CN-31F
959	BG	AVSS0.75sq	CN-302F	————	CN-31F
963A	BW	AVSS0.75sq	CN-31F	————●	CN-38F
963B	BW	AVSS0.75sq	CN-303F	————●	CN-38F
963C	BW	AVSS0.75sq	CN-304F	————●	CN-38F
964	BL	AVSS0.75sq	CN-305F	————	CN-31F



CONNECTORS SELECTION TABLE

CONNECTOR NAME (PIN NUM.)	MANUFUC.	(PART. NUMBER)					
		HOUSING	TERMINAL	HARNESS SEAL	RETAINER LOCK PLATE	SEALING PLUG	CLIP
20FA-SCCS8	AMP	316010-2	175258-1 175258-1				
6FY-CNB (B)	YAZAKI AMP	7123-2865-30	170032-2				
9FY-PA	YAZAKI	7119-3090	7116-1050				
20FS-HM090S (Gr)	SUMITOMO	6400-0081 6409-0255	8240-4422				
1FA-POL	AMP	154719-1	160759-3				
2FA-POL	AMP	926522-2	160759-3				
2FS-HM090	SUMITOMO	6090-1001	8240-4422				

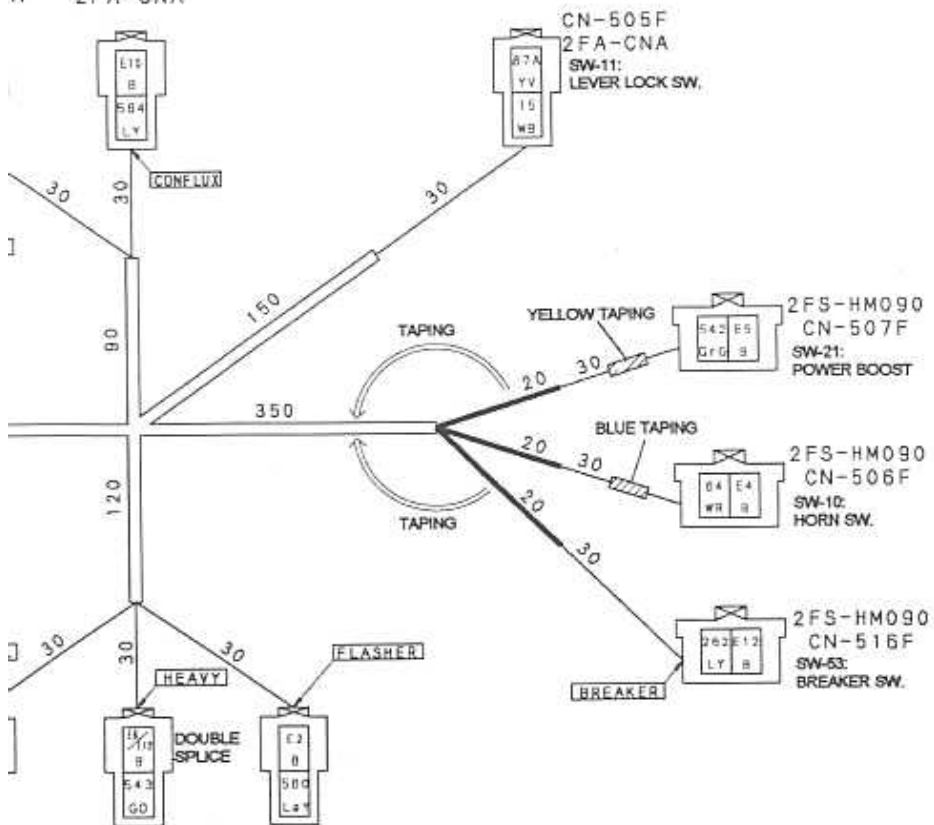
HARNES
(FLO



20FA-SCCS II
CN-36F
TO INST PANEL

WIRE NO	WIRE COLOR	WIRE SIZE	FROM	CONNECTION	TO
3	YL	AVSS0.75sq	CN-408F	—————	CN-36F
9	YB	AVSS0.75sq	CN-400F	—————	CN-36F
10	WV	AVSS1.25sq	CN-401F	—————	CN-36F
11	YR	AVSS0.75sq	CN-400F	—————	CN-36F
50	L	AVSS1.25sq	CN-401F	—————	CN-36F
58	P	AVSS0.75sq	CN-401F	—————	CN-36F
60	WL	AVSS0.75sq	CN-401F	—————	CN-36F
61	GrB	AVSS0.75sq	CN-401F	—————	CN-36F
63	WY	AVSS0.75sq	CN-401F	—————	CN-36F
84	WR	AVSS0.75sq	CN-404F	—————	CN-36F
85	WB	AVSS0.75sq	CN-406F	—————	CN-36F
98	LW	AVSS0.75sq	CN-400F	—————	CN-36F
99	Br	AVSS0.75sq	CN-400F	—————	CN-36F
100	LR	AVSS0.75sq	CN-400F	—————	CN-36F
101	OB	AVSS0.75sq	CN-400F	—————	CN-36F
542	GrG	AVSS0.75sq	CN-403F	—————	CN-36F
E1	B	AVSS0.75sq	CN-403F	—————●	CN-407F
E2	B	AVSS0.75sq	CN-404F	—————●	CN-407F
E3	B	AVSS0.75sq	CN-408F	—————●	CN-407F
E4	B	AVSS0.75sq	CN-400F	—————●	CN-407F
E5	B	AVSS0.75sq	CN-36F	—————●	CN-407F

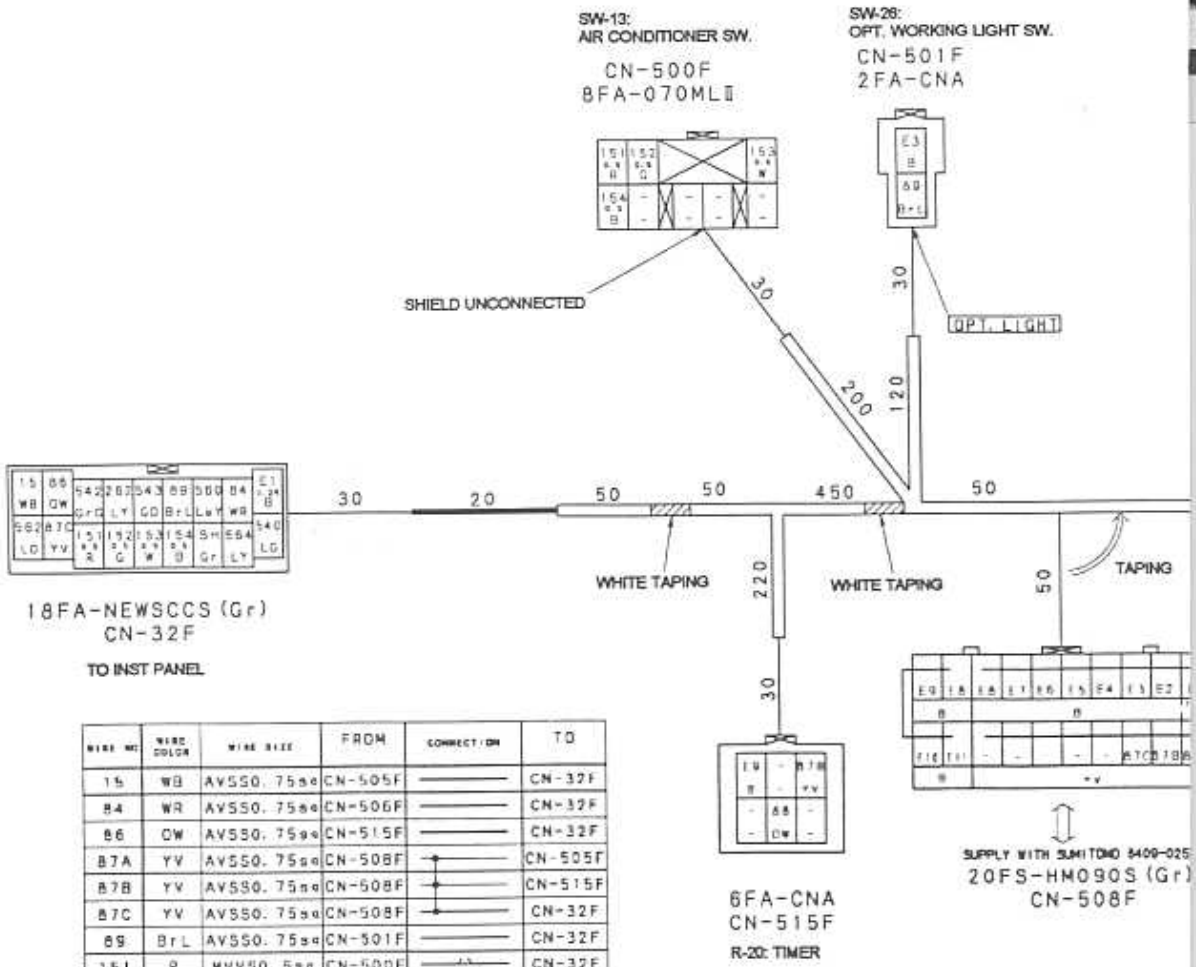
W. SW-15:
 CONFLUX/SINGLE SELECT SW.
 F CN-504F
 A 2FA-CNA



4A 2FA-CNA 2FA-CNA
 3F CN-512F CN-511F
 SW-35: SW-9:
 HEAVY LIFT SW. SWING FLASHER SW.

13E01328P1

HARNESS ASSY (FLOOR PLAN)



15	WB	542	267	543	550	544	E1
WB	GW	GrG	LY	GO	BrL	LY	WB
562	B7C	151	152	153	154	SH	564
LD	YV	R	G	W	B	Gr	LY
							540
							LG

18FA-NEWSCCS (Gr)
CN-32F
TO INST PANEL

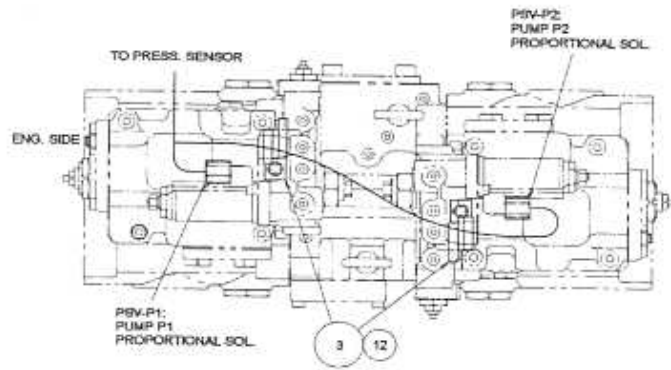
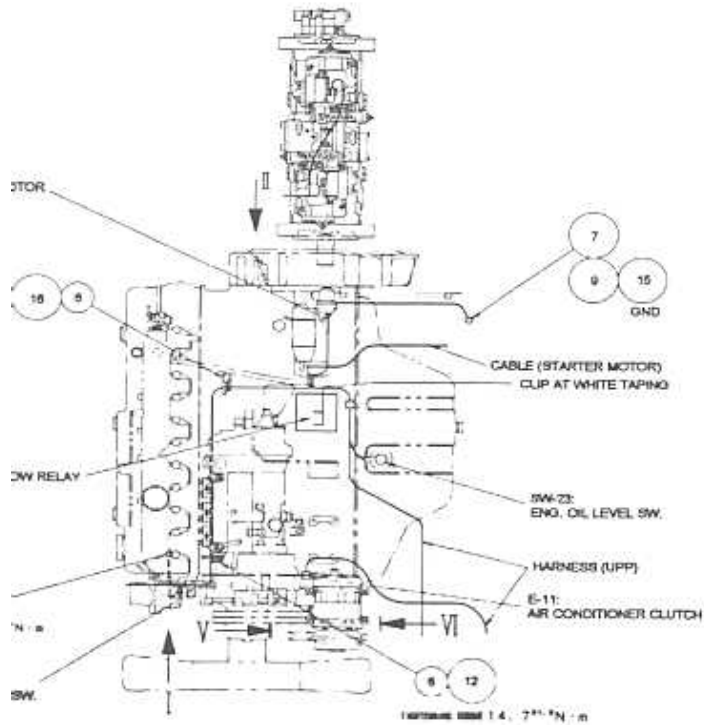
WIRE NO.	WIRE COLOR	WIRE SIZE	FROM	CONNECTION	TO
15	WB	AVSS0.75sq	CN-505F	---	CN-32F
84	WR	AVSS0.75sq	CN-506F	---	CN-32F
86	GW	AVSS0.75sq	CN-515F	---	CN-32F
87A	YV	AVSS0.75sq	CN-508F	+	CN-505F
87B	YV	AVSS0.75sq	CN-508F	+	CN-515F
87C	YV	AVSS0.75sq	CN-508F	+	CN-508F
89	BrL	AVSS0.75sq	CN-501F	---	CN-32F
151	R	MVV50.5sq	CN-500F	---	CN-32F
154	B	4ZJ-4*	CN-500F	---	CN-32F
153	W		CN-500F	---	CN-32F
152	G		CN-500F	---	CN-32F
SH	Gr		UNCONNECTED	X	CN-32F
262	LY	AVSS0.75sq	CN-32F	---	CN-516F
540	LG	AVSS0.75sq	CN-32F	---	CN-513F
542	GrG	AVSS0.75sq	CN-507F	---	CN-32F
543	GO	AVSS0.75sq	CN-32F	---	CN-512F
560	LY	AVSS0.75sq	CN-32F	---	CN-511F
562	LD	AVSS0.75sq	CN-32F	---	CN-514F
564	LY	AVSS0.75sq	CN-504F	---	CN-32F
E1	B	AVSS1.25sq	CN-508F	+	CN-32F
E2	B	AVSS0.75sq	CN-508F	+	CN-511F
E3	B	AVSS0.75sq	CN-508F	+	CN-501F
E4	B	AVSS0.75sq	CN-508F	+	CN-508F
E5	B	AVSS0.75sq	CN-508F	+	CN-507F
E6	B	AVSS0.75sq	CN-508F	+	CN-512F
E12	B	AVSS0.75sq	CN-516F	+	CN-512F
E7	B	AVSS0.75sq	CN-508F	+	CN-513F
E8	B	AVSS0.75sq	CN-508F	+	CN-508F
E9	B	AVSS0.75sq	CN-508F	+	CN-515F
E10	B	AVSS0.75sq	CN-508F	+	CN-504F
E11	B	AVSS0.75sq	CN-508F	+	CN-514F

6FA-CNA
CN-515F
R-20: TIMER

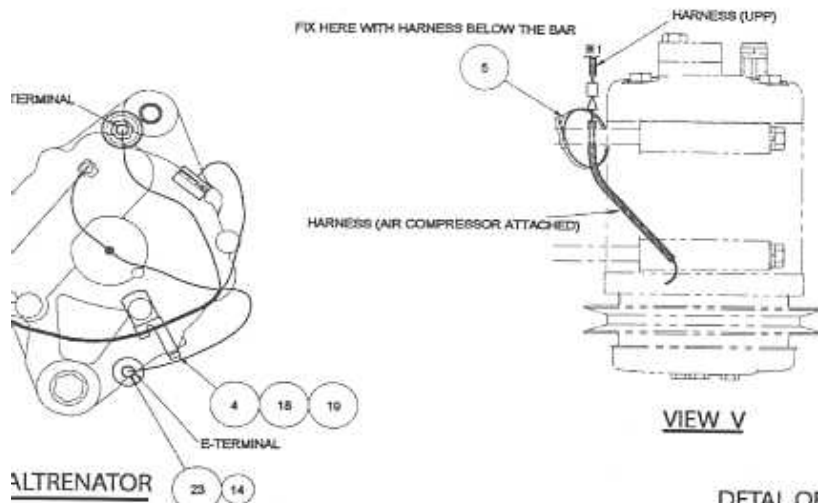
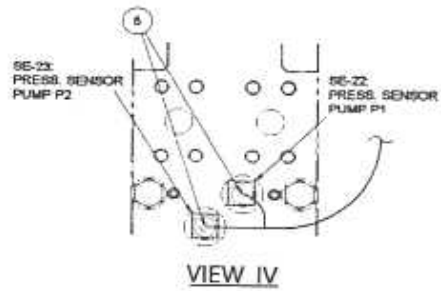
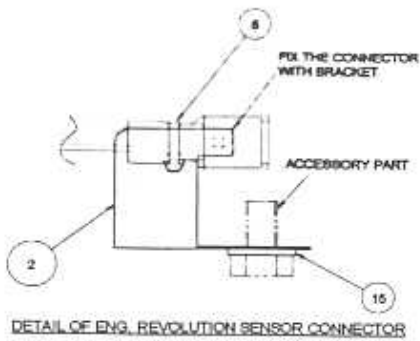
SUPPLY WITH SUNITOND 8400-025
20FS-HM090S (Gr)
CN-508F

CONNECTOR SELECTION TABLE

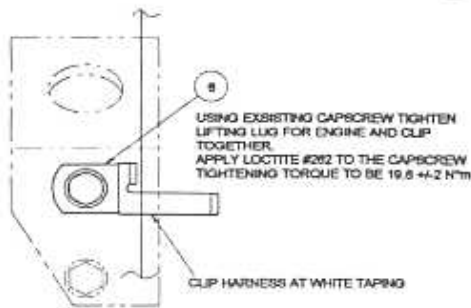
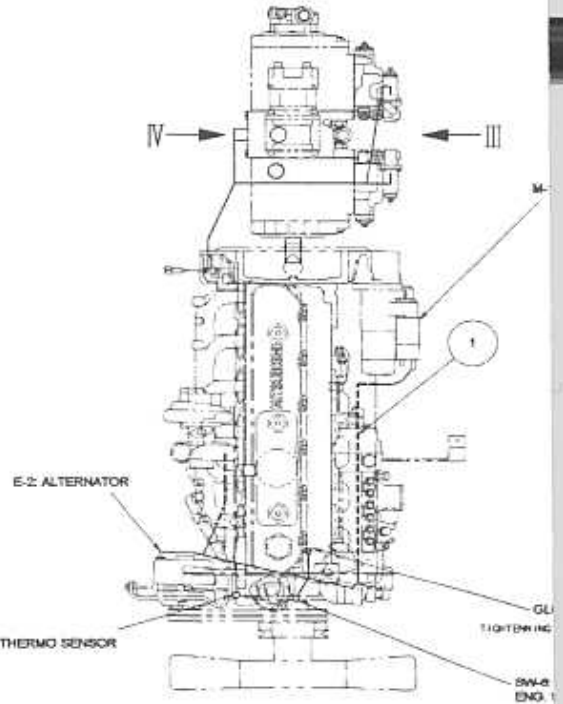
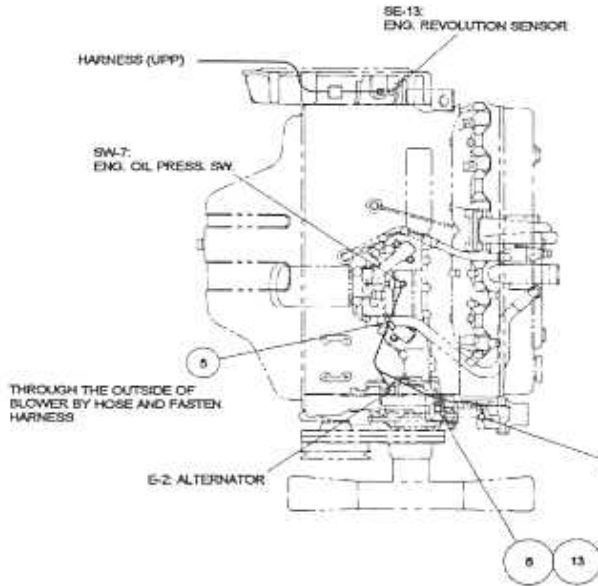
CONNECTOR NAME (PIN NO.)	MANUFACT.	PART. NUMBER			
		HOUSING	TERMINAL	FAWNER SEAL	RECTANG. LOCK PLATE
18FA-NEWSCCS	AMP	5-170592-8	175288-2		
8FA-070ML	AMP	170113-8	173031-1		
2FA-CNA	AMP	172130-1	170032-2		
20FS-HM090S	SUNITOND	8400-025	8240-4422		
20FS-HM090S	SUNITOND	8400-025G			
20FS-HM090S	SUNITOND	8030-100	8240-4422		
6FA-CNA	AMP	171888-1	170032-2		



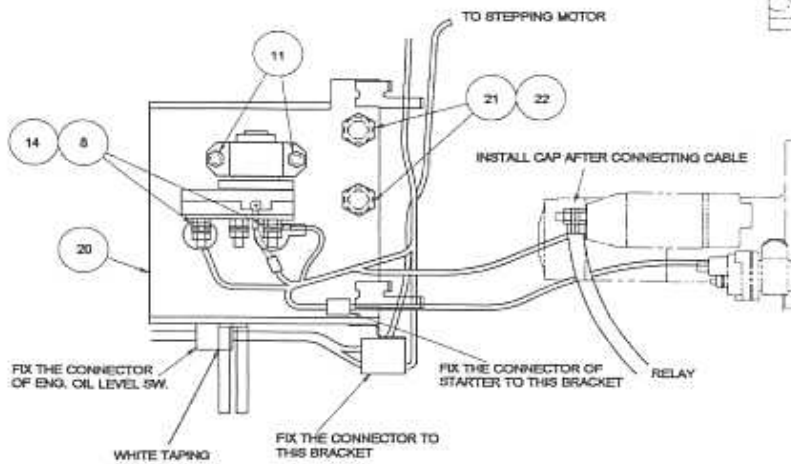
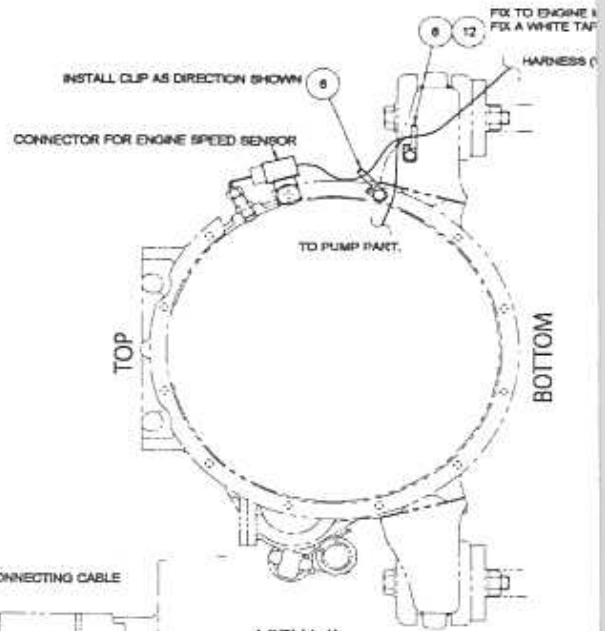
ET.
HARNES



DETAIL OF AIR COMPRESSOR



VIEW I (DETAIL OF LIFTING LUG FOR ENGINE)

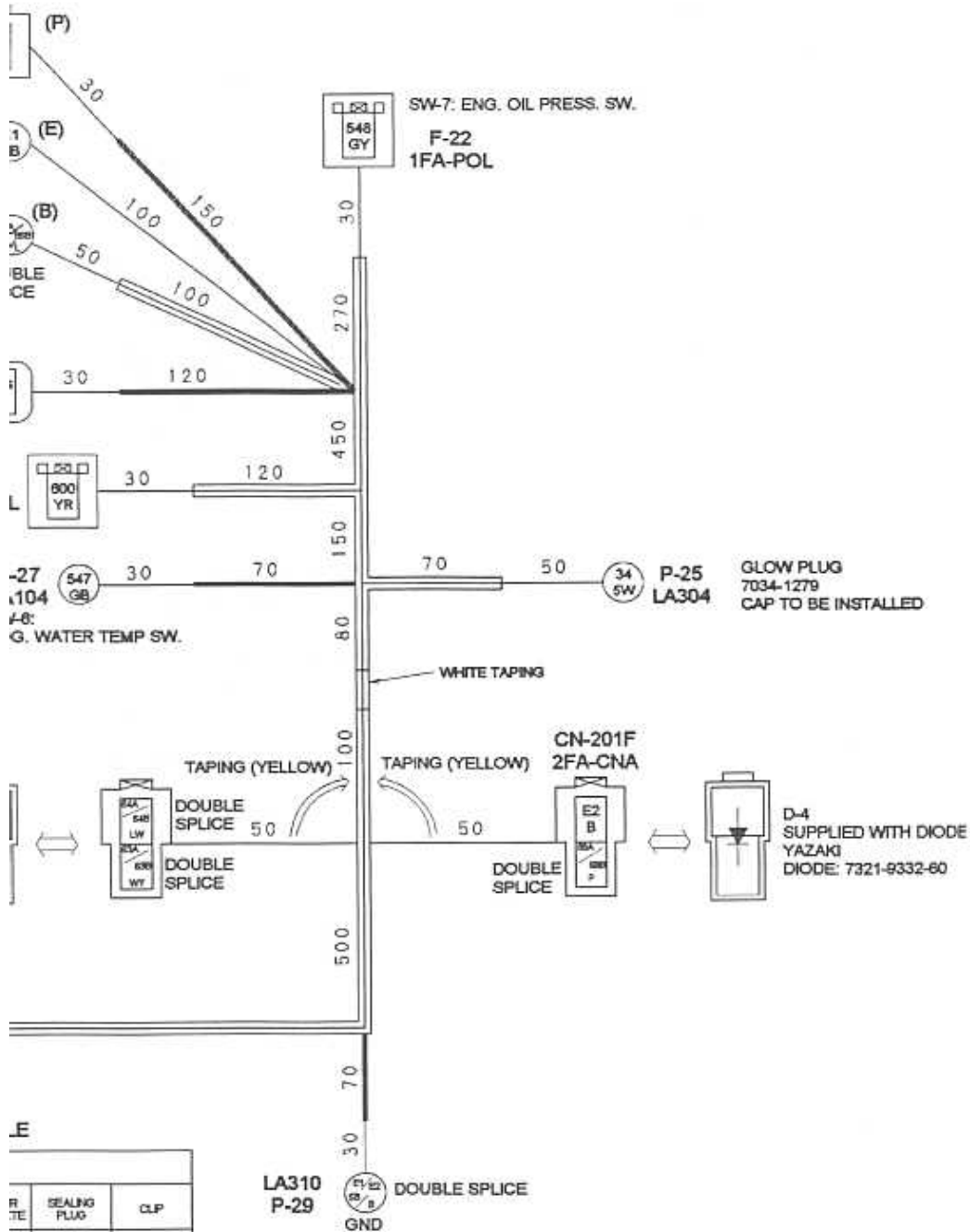


DETAIL OF GLOW RELAY AND STARTER MOTOR

HARNES (ENG)

P-TERM

DE

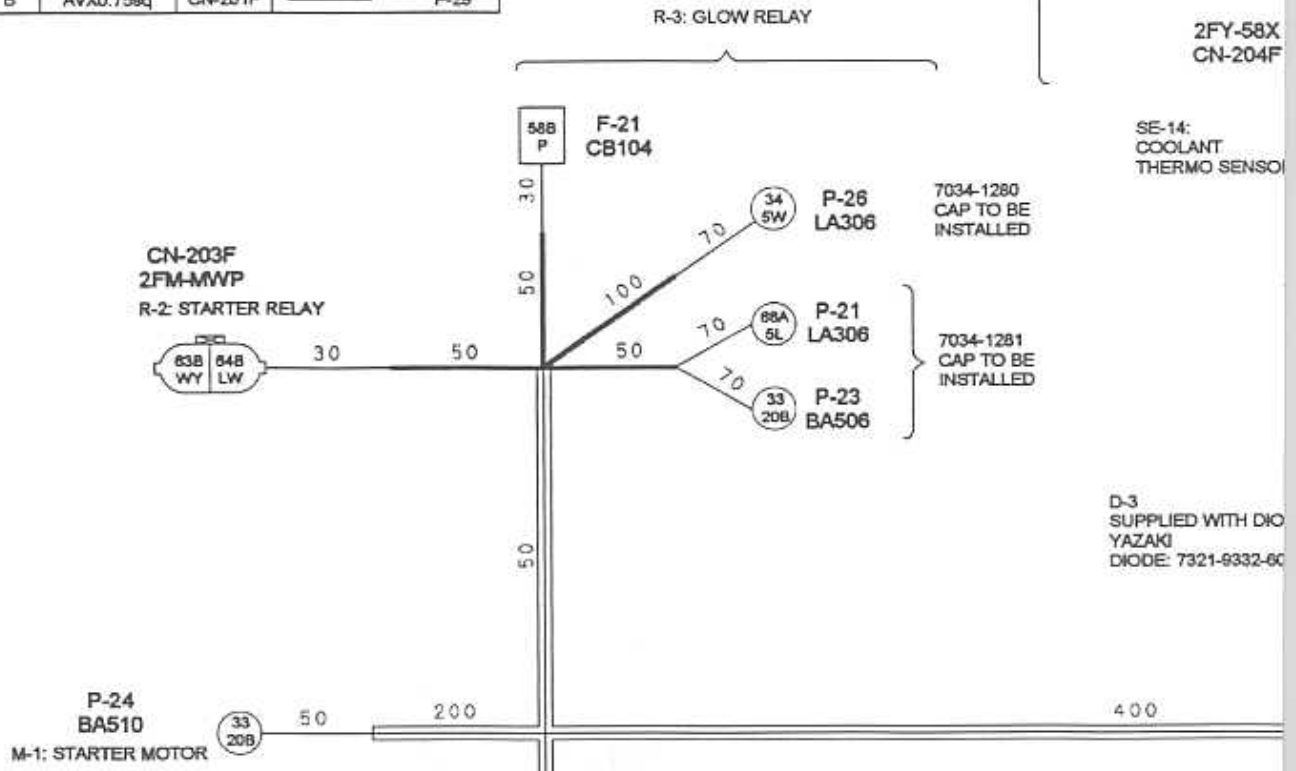


E

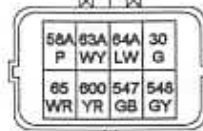
R TE	SEALING PLUG	CLP
3-1	172885-2	

HARNESS ASS (ENGINE

WIRE NO.	WIRE COLOR	WIRE SIZE	FROM	CONNECTION	TO
30	G	AVX0.75sq	CN-205F	—————	CN-206M
33	B	AV20sq	P-24	—————	P-23
34	W	AVX5sq	P-26	—————	P-25
58A	P	AVX0.75sq	CN-206M	DOUBLE SPlice	CN-201F
58B	P	AVX0.75sq	F-21	—————	CN-201F
63A	WY	AVX0.75sq	CN-206M	DOUBLE SPlice	CN-202F
63B	WY	AVX0.75sq	CN-203F	—————	CN-202F
64A	LW	AVX0.75sq	CN-206M	DOUBLE SPlice	CN-202F
64B	LW	AVX0.75sq	CN-203F	—————	CN-202F
65	WR	AVX0.75sq	CN-204F	—————	CN-206M
66A	5L	AVX5sq	P-22	DOUBLE SPlice	CN-204F
66B	L	AVX0.75sq	P-22	—————	CN-204F
547	GB	AVX0.75sq	P-27	—————	CN-206M
548	GY	AVX0.75sq	F-22	—————	CN-206M
600	YR	AVX0.75sq	F-23	—————	CN-206M
E1	B	AVX5sq	P-28	DOUBLE SPlice	P-29
E2	B	AVX0.75sq	CN-201F	—————	P-29



'N16E01021P1



CN-206M
8MA-JMII+
TO UPP HARNESS

CONNECTOR SELECT

CONNECTOR NAME (NO. OF PINS)	MANUFAC.	P.		
		HOUSING	TERMINAL	HARNESS SEAL
8MA-JMII+	AMP	174882-2	171862-1	17688
1FA-CNA	AMP	172126-1	170032-2	
2FA-CNA	AMP	172130-1	170032-2	
CB104	AMP	170003-5	170889-1	
2FM-MWP	MTSUSHI	P6025-02027	MT065-83280	RS220-0
2FY-58X	YAZAKI	7223-8234-40	7116-2873	7157-3
1FA-POL	AMP	171809-2	170233-1	

HARNES ASSEMBLY (ENGINE)

YQ08U0969~

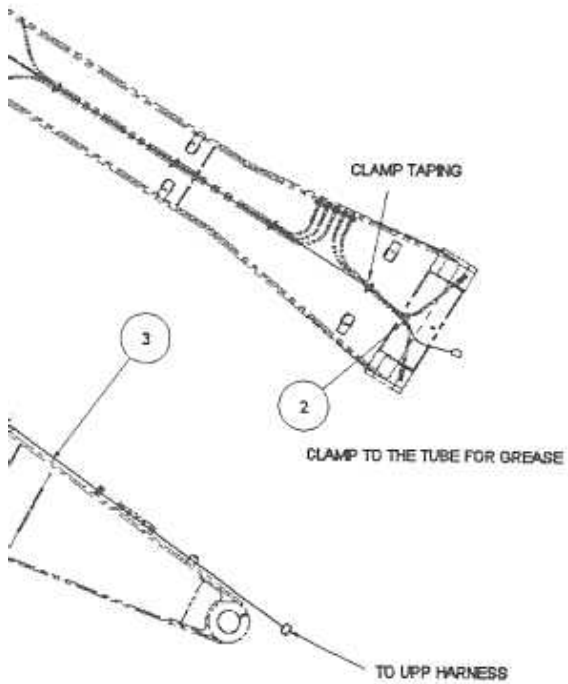
ITEM	PART NUMBER	DESCRIPTION	QTY
	YN16E00012F1	HARNES ASSY, UPPER (ENGINE)	
1	YN16E01021P1	HARNES	1
2	YN16E01018P1	BRACKET	1
3	2432R233D2	CLIP	2
4	2432R233D1	CLIP	1
5	PY01P01043D3	CLIP	5
6	2432R233D3	CLIP	6
7	ZN18C10008	NUT (M10)	1
8	ZN18C06005	NUT (M6)	2
9	ZW26X10000	LOCK WASHER (M10)	1
11	ZM66C06016	SEMS-BOLT (M6X16mm)	2
12	ZM11C08016	SEMS-BOLT (M8X16mm)	4
13	ZM22C10020	SEMS-BOLT (M10X20mm)	1
14	ZW26X06000	LOCK WASHER (M6)	3
15	ZW16X10000	WASHER (M10)	2
16	ZS18C08016	CAPSCREW (M8X16mm)	1
17	ZW26X08000	LOCK WASHER (M8)	1
18	ZS18C05010	CAPSCREW (M5X10mm)	1
19	ZW26X05000	LOCK WASHER (M5)	1
20	YN16E01022P1	BRACKET	1
21	ZM22C10040	BOLT (M10X40mm)	2
22	2418T26637D1	SPACER	2
23	ZS18C06010	CAPSCREW (M6X10mm)	1

See 266-01-17

SEMBLY

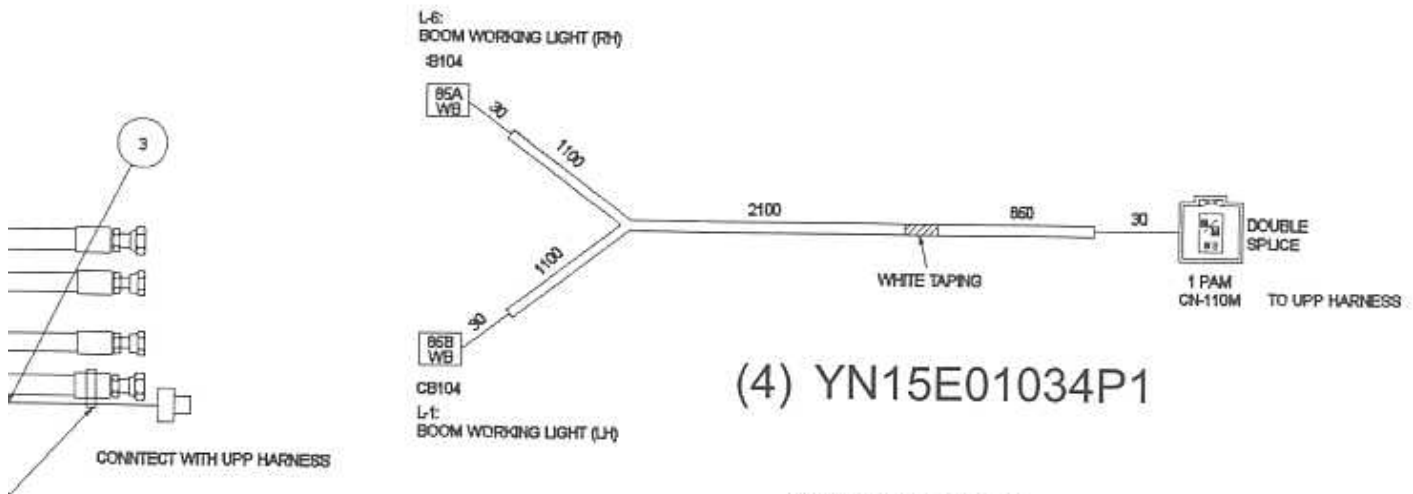
1)

YQ08U0969-



ITEM	PART NUMBER	DESCRIPTION	QTY
	YN15E0008F3	HARNESS ASSY, UPPER (BOOM)	
2	PY01P01043D7	CLIP	1
4	YN15E01034P1	HARNESS	1

See 266-01-



(4) YN15E01034P1

CONNECTOR SELECTION TABLE

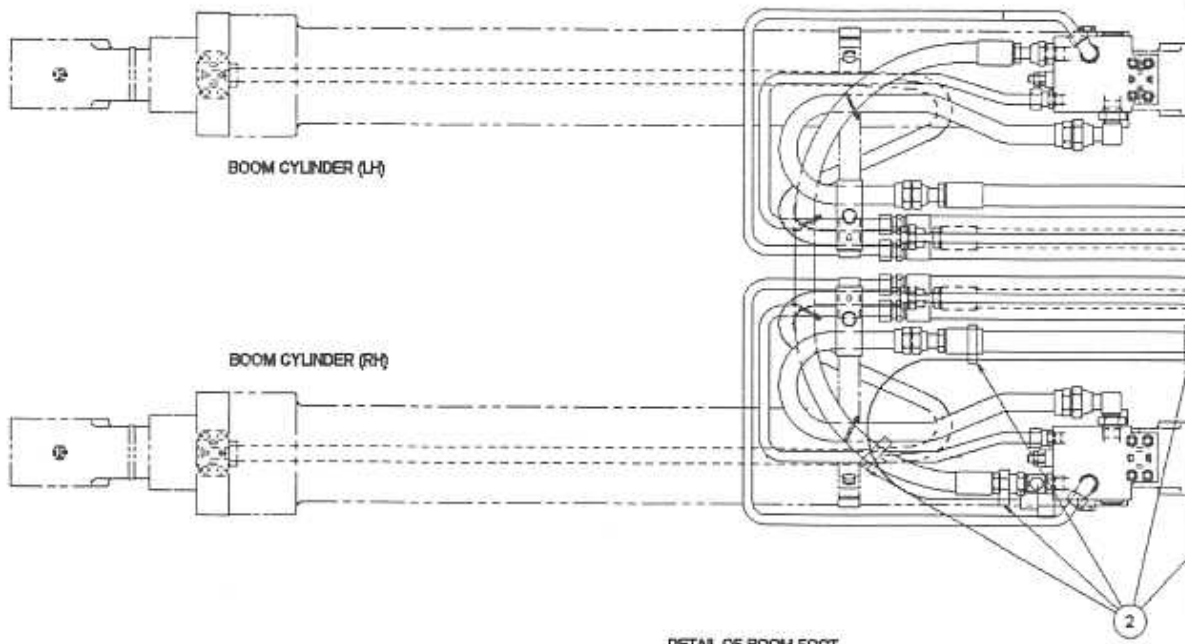
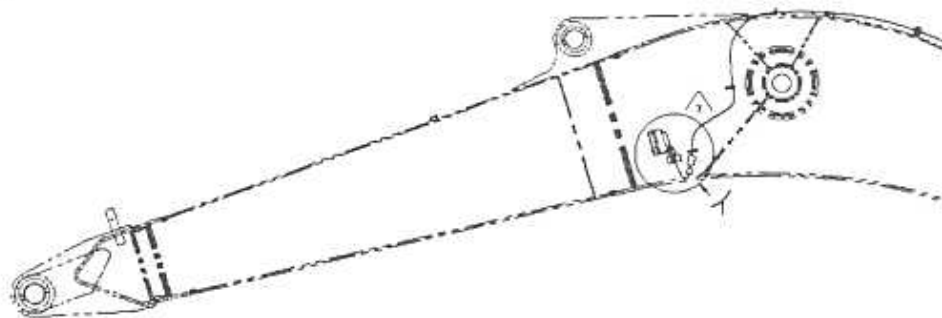
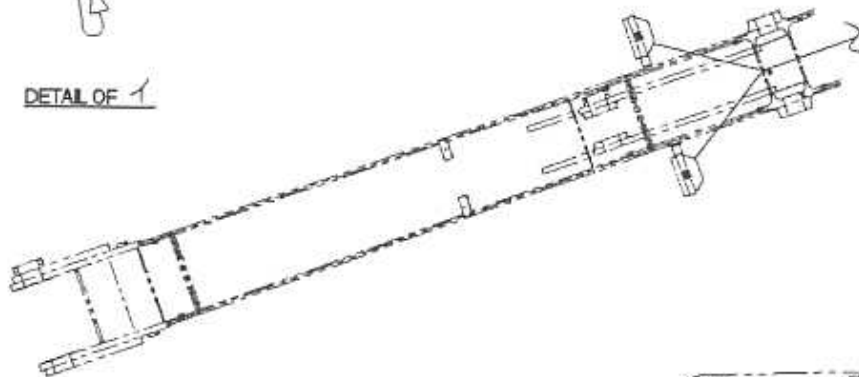
CONN. NAME (PIN NUM.)	MANUFAC.	PART NUMBER					
		HOUSING	TERMINAL	HARNESS SEAL	RETAINER LCK PLTE	SEALING PLUG	CLIP
1MA-GNA	172127-1	170340-1					
CB104	170003-5	170889-1					

HARNES

(E

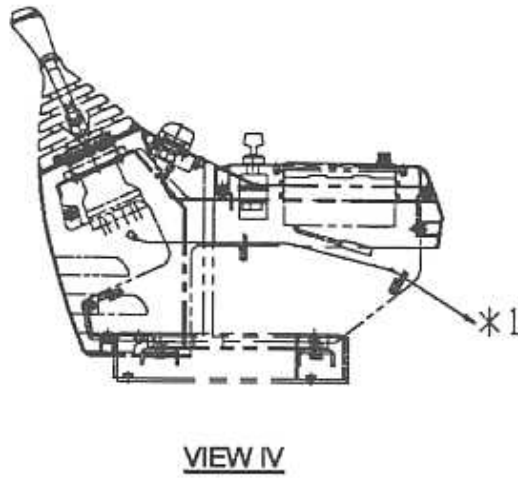
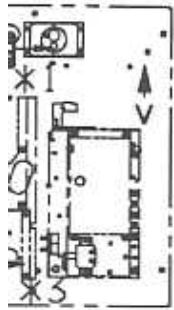
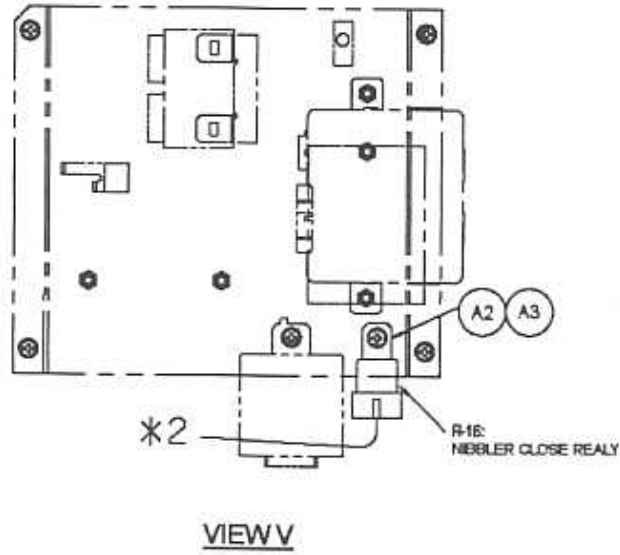
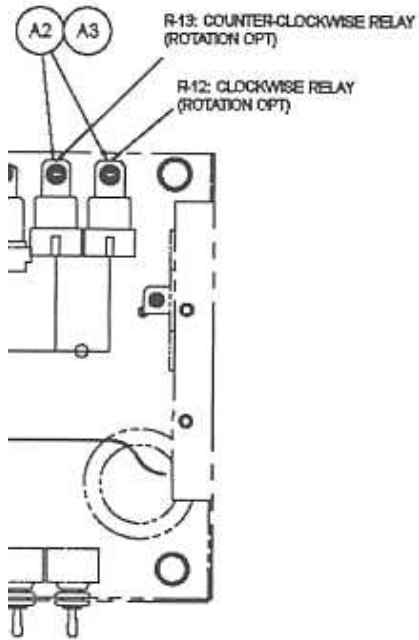


DETAIL OF 1



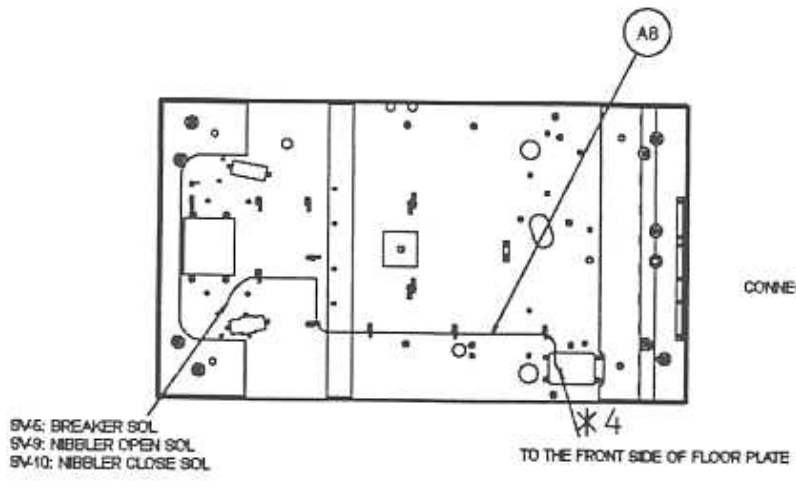
SEMBLY
:R)

YQ08U0969-

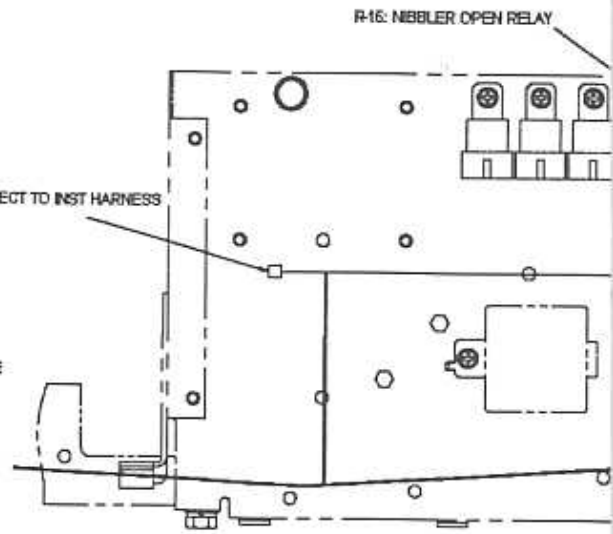


HARNES
(LC

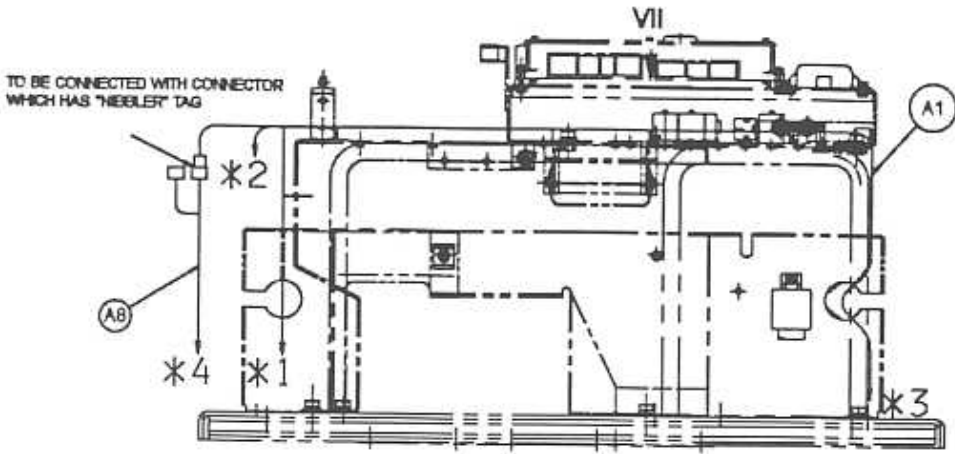
A2



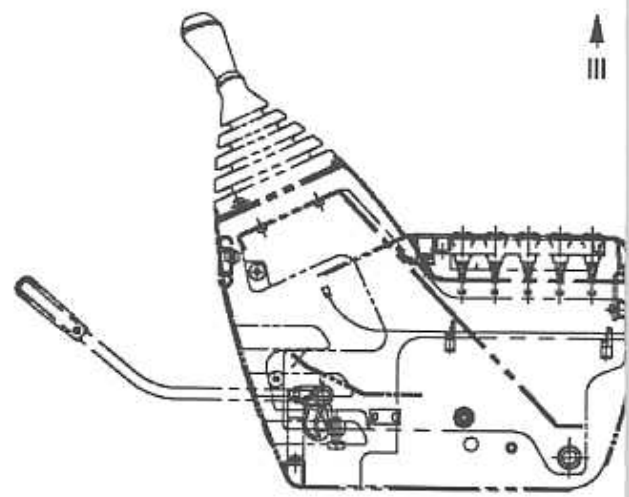
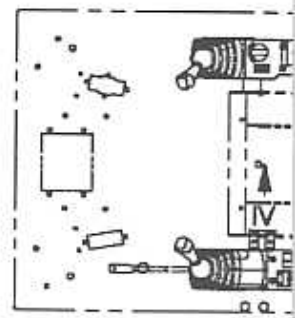
VIEW FROM THE UNDER SIDE OF FLOOR PLATE



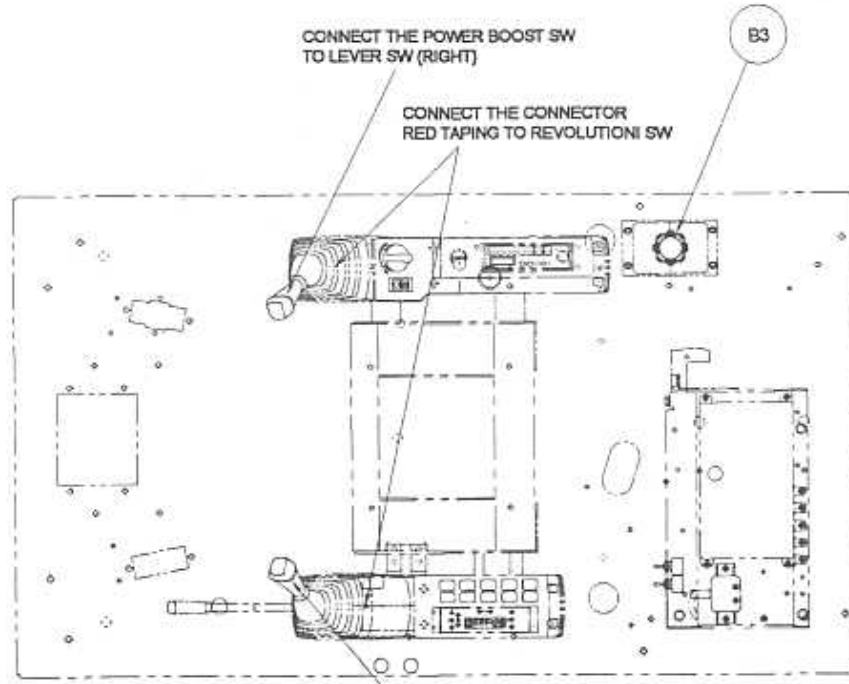
VIEW VII



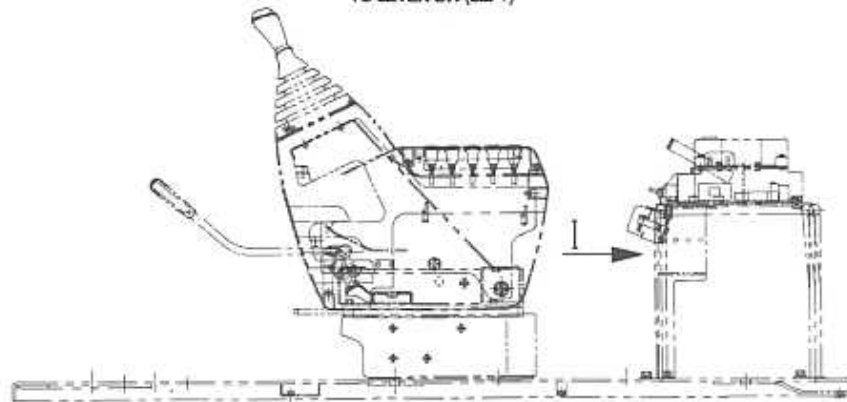
VIEW I



VIEW III



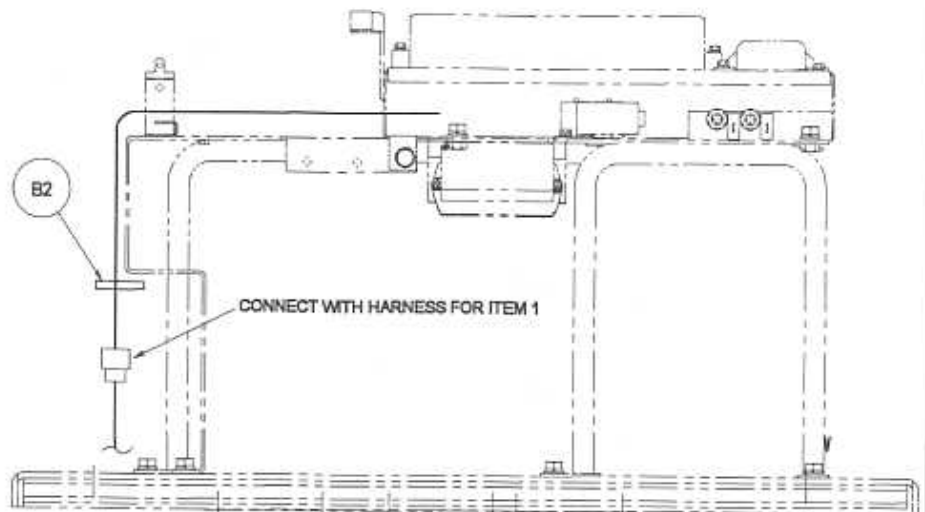
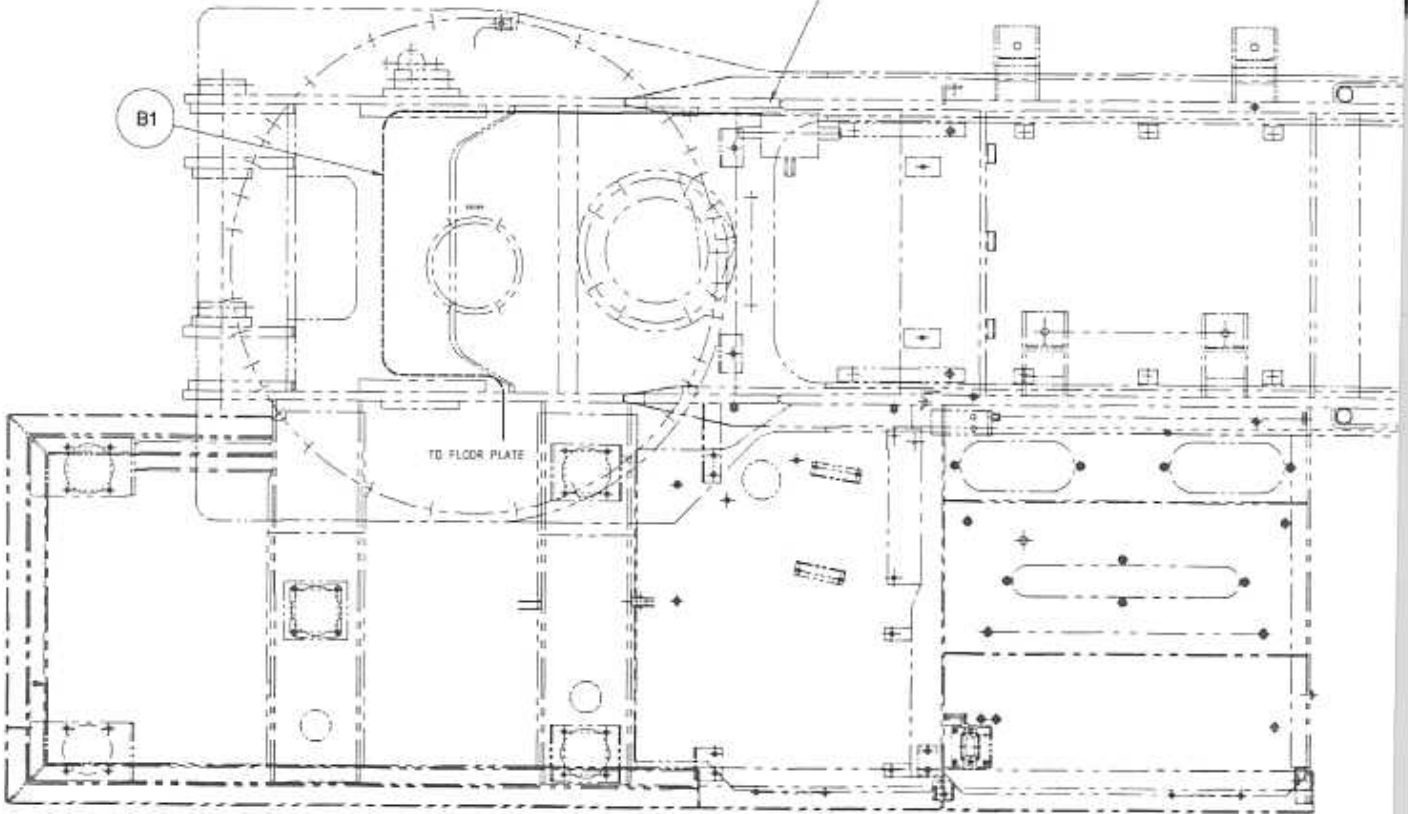
CONNECT THE HORN SW TO LEVER SW (LEFT)



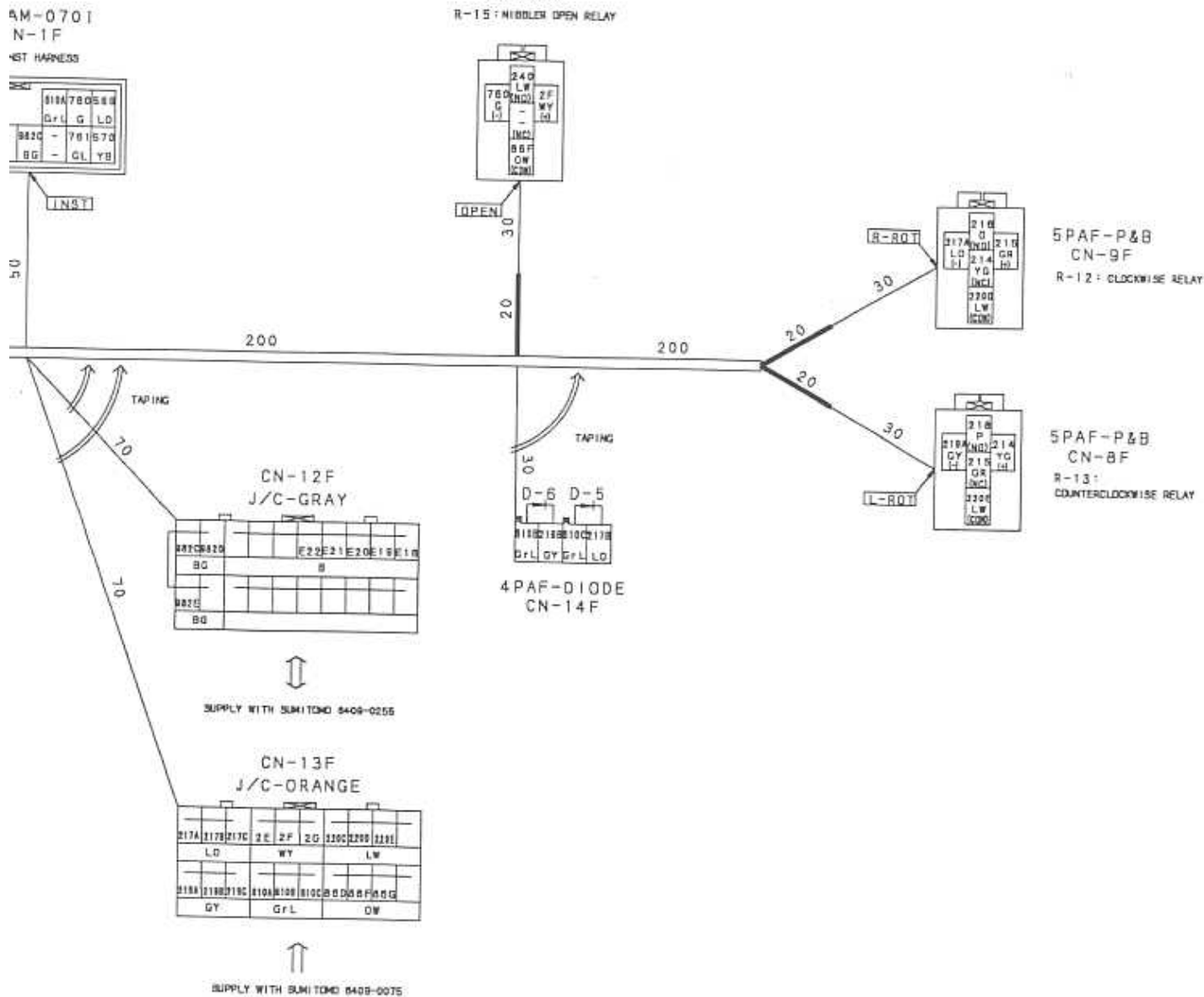
DETAIL OF FLOOR PLATE

HARNESS ASS (LOGGER

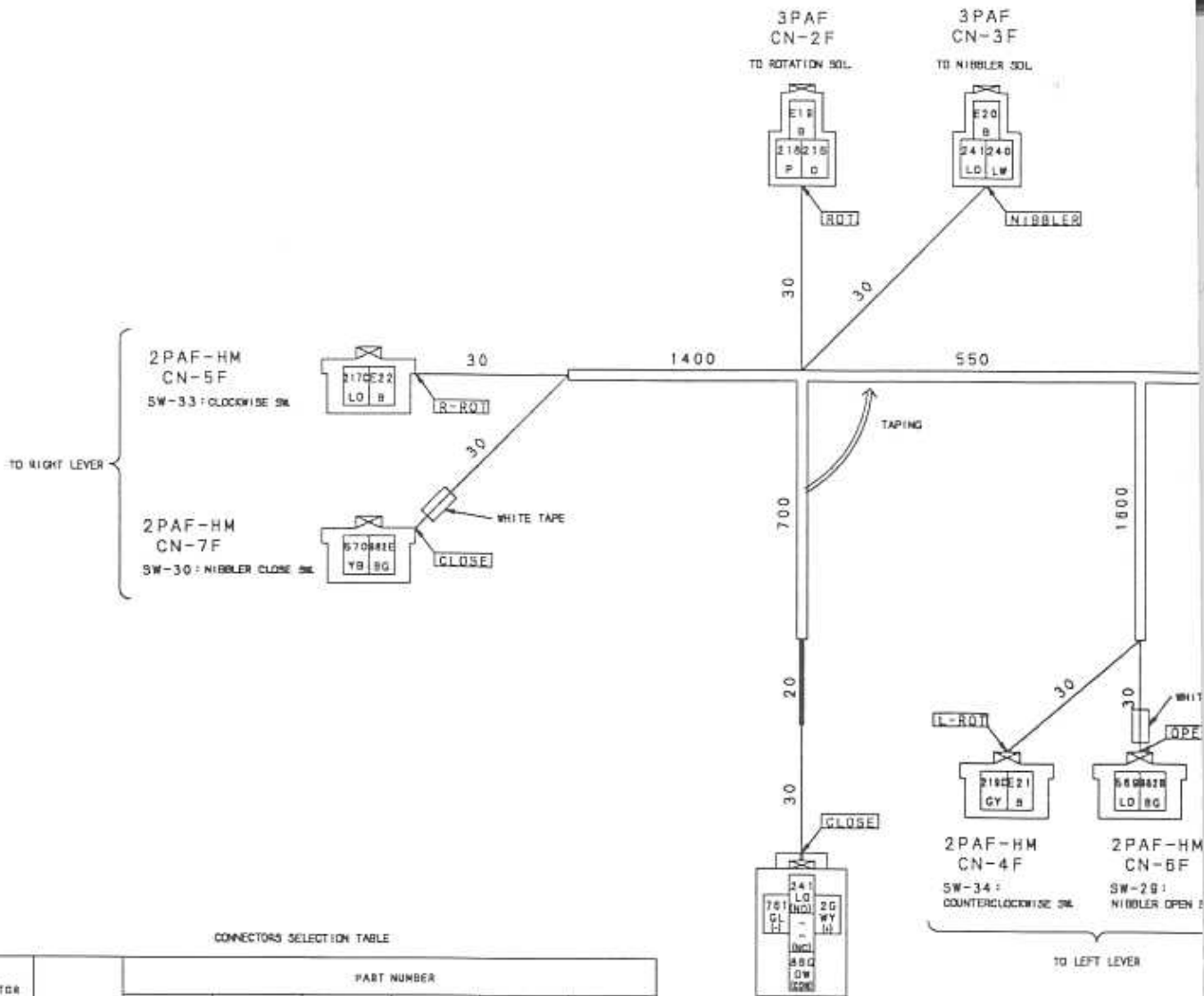
TO BE INSTALLED CONNECTORS FOLLOWING
SV-7 TO MARK "A" OF SOL AND SV-8 TO MARK "B" OF SOL



VIEW I



4E01034P1



CONNECTORS SELECTION TABLE

CONNECTOR NAME (PIN NUM.)	MANUFUC.	PART NUMBER					
		HOUSING	TERMINAL	HARNES SEAL	RETAINER LOCK PLATE	SEALING PLUG	CLIP
3PAF	YAZAKI	7122-2237	7118-2090				
2PAF	YAZAKI	7123-2228	7118-2090				
4PAF-D10DE	YAZAKI	7123-7144	7118-1181P				
5PAF-P&B	P&B PACKARD	VCF4-1003	12015885				
15PAF-J/B	SUMITOMO	8441-8595	8189-8485				
		5409-8598					
2PAF-HM	SUMITOMO	6090-1001	8240-4422				
12PAM-0701	AMP	174933-1	173845-1				
J/C-GRAY	SUMITOMO	8400-0081	8240-4422				
		8409-0255					
J/C-ORANGE	SUMITOMO	8400-0010	8240-4422				
		8409-0075					

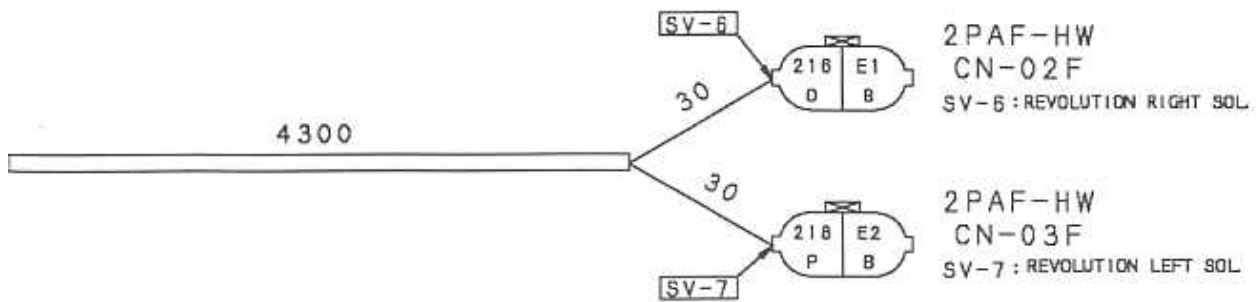
(A1)

.Y

253P1

RTED

RTED



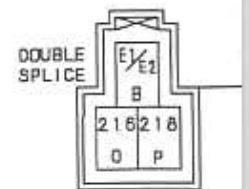
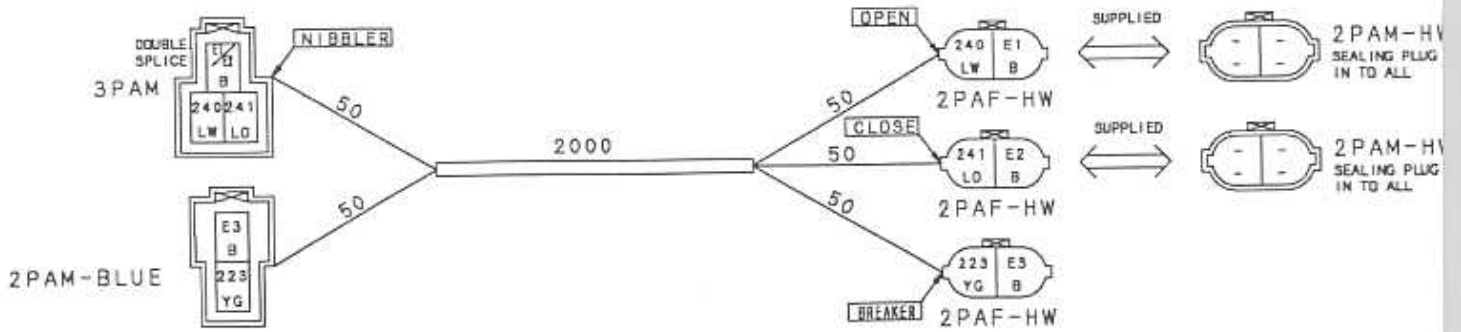
CONNECTORS SELECTION TABLE

MANUFUC.	(PART. NUMBER)					
	HOUSING	TERMINAL	HARNESS SEAL	RETAINER LOCK PLATE	SEALING PLUG	CLIP
AZAKI	7122-2237	7114-2020				
MITOMO	6189-0129	1500-0106	7185-0118	6918-0322		

CONNECTORS SELECTION TABLE

R	MANUFUC.	PART NUMBER					
		HOUSING	TERMINAL	HARNESS SEAL	RETAINER LOCK PLATE	SEALING PLUG	CLIP
W	SUMITOMO	6189-0129	1500-0106	7165-0118	5918-0322		
W	SUMITOMO	6181-0070				7161-9787	
	YAZAKI	7122-2237	7114-2020				
UE	YAZAKI	7122-2226-90	7114-2020				

(A8) YN13E



3PAM
CN-01M

(B1) YN11E01031P1

CONNECT
NAME
(PIN NU

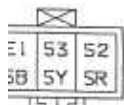
3PAM

2PAF-

SEMBLY
R)

YQ08U0969-

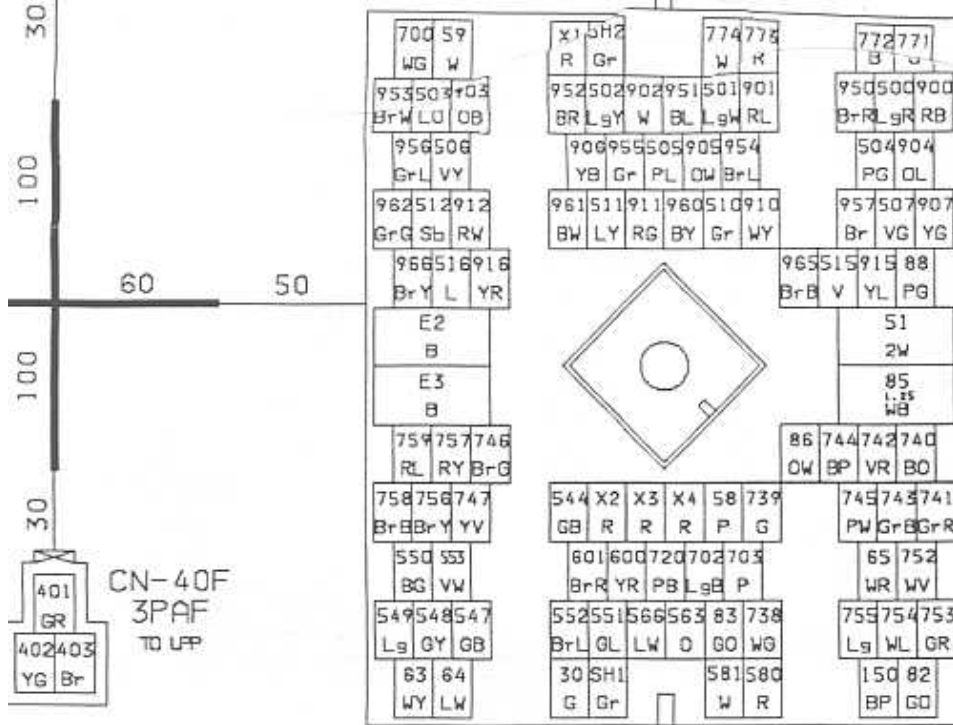
M-HD305
N-33M



HOLDER -E196800

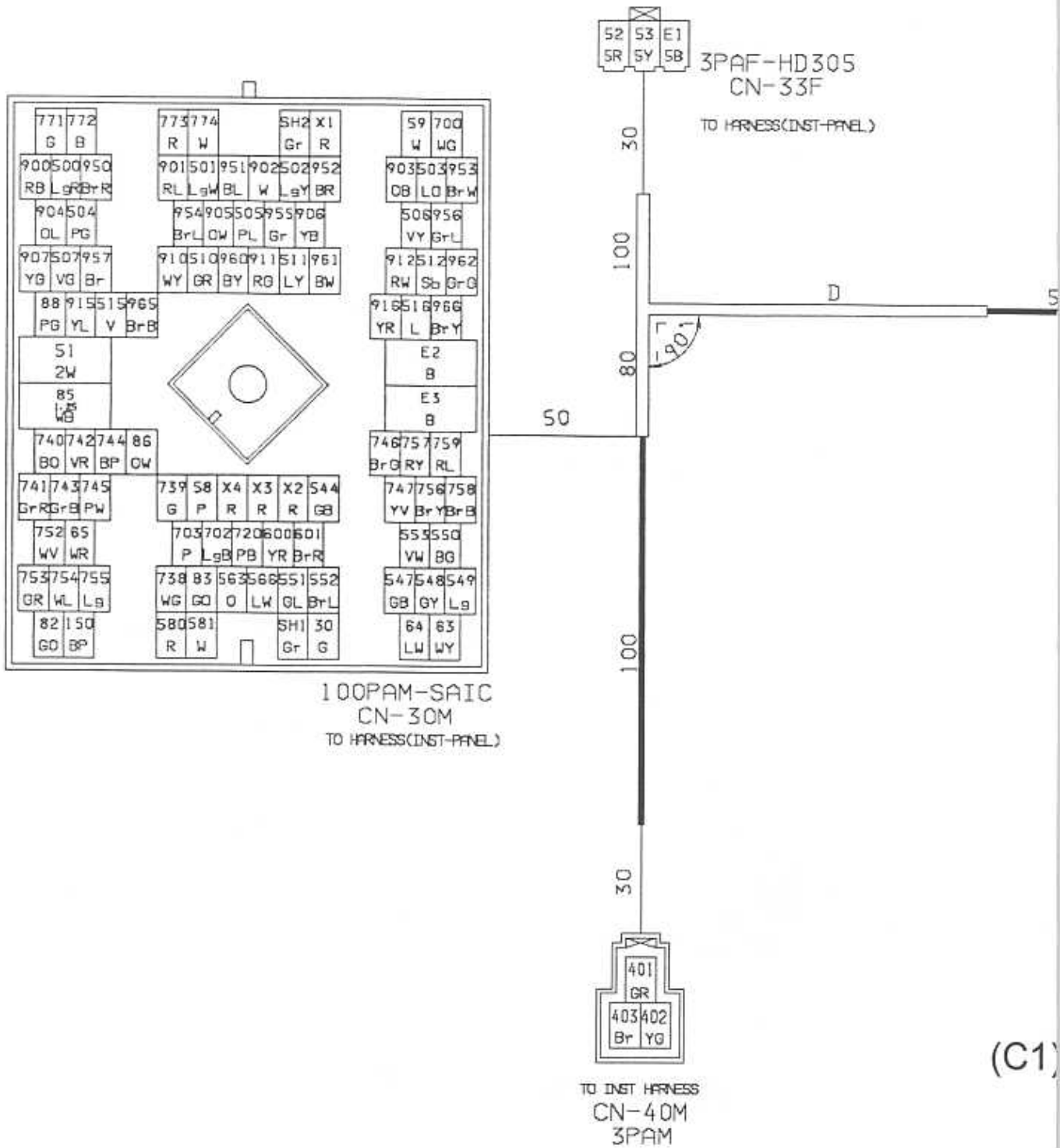


CN-30F
100PAF-SAIC TO UPP



IG NO.	DIMENSION	REMARKS
D1	500 mm	TEST ONLY
D2	4200 mm	4 FT. RISER
D3	4800 mm	6 FT. RISER
D4	6000 mm	10 FT. RISER

√14EU1001D1, D2, D3, D4



(C1)

WIRE NO	WIRE COLOR	WIRE SIZE	FROM	CONNECTION	TO	FUNCTION
544	GB	AVSS0.75sq	CN-30M	—————	CN-30F	MECHATRO CONTROLLER → STEPPING MOTOR
547	GB	AVSS0.75sq	CN-30M	—————	CN-30F	MECHATRO CONTROLLER ← ENG. WATER TEMP. SW.
548	GY	AVSS0.75sq	CN-30M	—————	CN-30F	MECHATRO CONTROLLER ← ENG. OIL PRESS. SW.
549	Lg	AVSS0.75sq	CN-30M	—————	CN-30F	MECHATRO CONTROLLER ← AIR FILTER RESTRICTION SW.
550	BG	AVSS0.75sq	CN-30M	—————	CN-30F	MECHATRO CONTROLLER ← ENG. OIL LEVEL SW.
551	GL	AVSS0.75sq	CN-30M	—————	CN-30F	MECHATRO CONTROLLER ← ENG. COOLANT LEVEL SW.
552	BrL	AVSS0.75sq	CN-30M	—————	CN-30F	MECHATRO CONTROLLER ← HYD. FLUID LEVEL SW.
553	VW	AVSS0.75sq	CN-30M	—————	CN-30F	MECHATRO CONTROLLER → ISPAF-J/B
563	O	AVSS0.75sq	CN-30M	—————	CN-30F	MECHATRO CONTROLLER ← HYD. OIL TEMP. SW.
566	LW	AVSS0.75sq	CN-30M	—————	CN-30F	MECHATRO CONTROLLER ← ENG. OIL FILTER
580	R	MVSS0.75sq	CN-30M	—————	CN-30F	MECHATRO CONTROLLER ← ENG. REVOLUTION SENSOR
581	W		CN-30M	—————	CN-30F	MECHATRO CONTROLLER ← ENG. REVOLUTION SENSOR
SH1	Gr		CN-30M	—————	CN-30F	SHIELD
600	YR	AVSS0.75sq	CN-30M	—————	CN-30F	CLUSTER GAUGE → COOLANT THERMO SENSOR
601	BrR	AVSS0.75sq	CN-30M	—————	CN-30F	CLUSTER GAUGE ← FUEL SENSOR
700	WG	AVSS0.75sq	CN-30M	—————	CN-30F	MECHATRO CONTROLLER ← BATTERY RELAY
702	LgB	AVSS0.75sq	CN-30M	—————	CN-30F	MECHATRO CONTROLLER ← TWO-SPEED SELECT SOL.
703	P	AVSS0.75sq	CN-30M	—————	CN-30F	MECHATRO CONTROLLER ← POWER BOOST SOL.
720	PB	AVSS0.75sq	CN-30M	—————	CN-30F	SWING PARKING RELEASE SW. ← SWING PARKING BRAKE SOL.
738	WG	AVSS0.75sq	CN-30M	—————	CN-30F	MECHATRO CONTROLLER → SWING PRIORITY PROPORTIONAL SOL.
	G	AVSS0.75sq	CN-30M	—————	CN-30F	MECHATRO CONTROLLER → SWING PRIORITY PROPORTIONAL SOL.
	BO	AVSS0.75sq	CN-30M	—————	CN-30F	MECHATRO CONTROLLER → P2 BY-PASS CUT PROPORTIONAL SOL.
	GrR	AVSS0.75sq	CN-30M	—————	CN-30F	MECHATRO CONTROLLER ← P2 BY-PASS CUT PROPORTIONAL SOL.
	VR	AVSS0.75sq	CN-30M	—————	CN-30F	MECHATRO CONTROLLER → TRAVEL PRIORITY PROPORTIONAL SOL.
	GrB	AVSS0.75sq	CN-30M	—————	CN-30F	MECHATRO CONTROLLER ← TRAVEL PRIORITY PROPORTIONAL SOL.
	BP	AVSS0.75sq	CN-30M	—————	CN-30F	MECHATRO CONTROLLER → P1 BY-PASS CUT PROPORTIONAL SOL.
	PW	AVSS0.75sq	CN-30M	—————	CN-30F	MECHATRO CONTROLLER ← P1 BY-PASS CUT PROPORTIONAL SOL.
	BrG	AVSS0.75sq	CN-30M	—————	CN-30F	MECHATRO CONTROLLER → AIR VARIABLE RECIRCULATION PROPORTIONAL SOL.
	YV	AVSS0.75sq	CN-30M	—————	CN-30F	MECHATRO CONTROLLER ← AIR VARIABLE RECIRCULATION PROPORTIONAL SOL.
752	WV	AVSS0.75sq	CN-30M	—————	CN-30F	MECHATRO CONTROLLER → P1 INDEPENDENT TRAVEL PROPORTIONAL SOL.
753	GR	AVSS0.75sq	CN-30M	—————	CN-30F	MECHATRO CONTROLLER ← P1 INDEPENDENT TRAVEL PROPORTIONAL SOL.
754	WL	AVSS0.75sq	CN-30M	—————	CN-30F	MECHATRO CONTROLLER → P2 INDEPENDENT TRAVEL PROPORTIONAL SOL.
755	Lg	AVSS0.75sq	CN-30M	—————	CN-30F	MECHATRO CONTROLLER ← P2 INDEPENDENT TRAVEL PROPORTIONAL SOL.

(C1) YN14EU1001D1, D2, D3, D4

HARNESS ASSY (LOGGER)

CONNECTORS SELECTION TABLE

CONNECTOR NAME (PIN NUM.)	MANUFAC	PART NUMBER							
		HOUSING	TERMINAL	HARNESS SEAL	RETAINER LOCK PLATE	SEALING PLUG	CLIP	WIRE COVER	BOLT ASS
3PAF	YAZAKI	7122-2237	7118-2090						
3PAM-HD30S	SUMITOMO	6098-0208	8232-4238				6810-1203		
100PAF-SAIC	AMP	179216-6	175266-1 175269-2 7118-2871						
3PAF	YAZAKI								
100PAM-SAIC	AMP	179220-6	917057-5 175273-1 7114-2871						
3PAF-HD30S	SUMITOMO	6098-0210	8242-4068						
3PAM	YAZAKI	7122-2237	7114-2020						

WIRE NO	WIRE COLOR	WIRE SIZE	FROM	CONNECTION	TO	FUNCTION
30	G	AVSS0.75sq		—————	CN-30F	SAFETY RELAY → ALTERNATOR
51	W	AVS2sq		—————	CN-30F	FUSE BOX ← HEATER RELAY
52	R	AVS5sq	CN-33F	—————	CN-33M	FUSE BOX ← BATTERY RELAY
53	Y	AVS5sq	CN-33F	—————	CN-33M	FUSE BOX ← BATTERY RELAY
58	P	AVSS0.75sq	CN-30M	—————	CN-30F	FUSE BOX ← BATTERY RELAY
59	W	AVSS0.75sq	CN-30M	—————	CN-30F	BATTERY RELAY → 1SPAF-J/B
63	WY	AVSS0.75sq		—————	CN-30F	KEY SW. → STARTER RELAY
64	LW	AVSS0.75sq		—————	CN-30F	SAFETY RELAY → STARTER RELAY
65	WR	AVSS0.75sq		—————	CN-30F	ALTERNATOR → 1SPAF-J/B
82	GO	AVSS0.75sq		—————	CN-30F	WASHER MOTOR ← WIPER RELAY ASSY
83	GO	AVSS0.75sq		—————	CN-30F	HORN RELAY → HORN
85	WB	AVSS1.25sq		—————	CN-30F	BOOM WORKING LIGHT → 1SPAF-J/B
86	OW	AVSS0.75sq		—————	CN-30F	TIMER → OPERATING LEV LOCK SW.
88	PG	AVSS0.75sq		—————	CN-30F	TRAVEL ALARM RELAY → TRAVEL ALARM
150	BP	AVSS0.75sq		—————	CN-30F	AIR CONDITIONER AMP. → RECEIVER DRIER
401	GR	AVSS0.75sq	CN-40M	—————	CN-40F	SWING FLASHER & REAR WORKING LIGHT → FLASHER RELAY
402	YG	AVSS0.75sq	CN-40M	—————	CN-40F	SWING FLASHER & REAR WORKING LIGHT → FLASHER RELAY
403	Br	AVSS0.75sq	CN-40M	—————	CN-40F	SWING FLASHER & REAR WORKING LIGHT → FLASHER RELAY
500	LgR	AVSS0.75sq		—————	CN-30F	MECHATRO CONTROLLER ← PRESS. SENSOR BUCKET DIGG
501	LgW	AVSS0.75sq		—————	CN-30F	MECHATRO CONTROLLER ← PRESS. SENSOR BUCKET DUMP
502	LgY	AVSS0.75sq		—————	CN-30F	MECHATRO CONTROLLER ← PRESS. SENSOR BOOM RAISE
503	LO	AVSS0.75sq		—————	CN-30F	MECHATRO CONTROLLER ← PRESS. SENSOR BOOM LOWER
504	PG	AVSS0.75sq		—————	CN-30F	MECHATRO CONTROLLER ← PRESS. SENSOR ARM IN
505	PL	AVSS0.75sq		—————	CN-30F	MECHATRO CONTROLLER ← PRESS. SENSOR ARM OUT
506	VY	AVSS0.75sq		—————	CN-30F	MECHATRO CONTROLLER ← PRESS. SENSOR SWING RIGHT
507	VG	AVSS0.75sq		—————	CN-30F	MECHATRO CONTROLLER ← PRESS. SENSOR SWING LEFT
510	Gr	AVSS0.75sq		—————	CN-30F	MECHATRO CONTROLLER ← PRESS. SENSOR P1 NEGA-COM
511	LY	AVSS0.75sq		—————	CN-30F	MECHATRO CONTROLLER ← PRESS. SENSOR P2 NEGA-COM
512	Sb	AVSS0.75sq		—————	CN-30F	MECHATRO CONTROLLER ← PRESS. SENSOR BACK PRESS.
515	V	AVSS0.75sq		—————	CN-30F	MECHATRO CONTROLLER ← PRESS. SENSOR PUMP P1
516	L	AVSS0.75sq		—————	CN-30F	MECHATRO CONTROLLER ← PRESS. SENSOR PUMP P2

SEMBLY
R)

YQ08U0969-

) YN14EU1001D1, D2, D3, D4

266-10-7

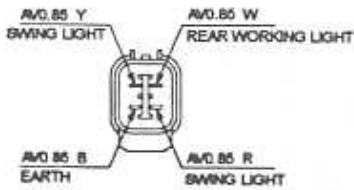
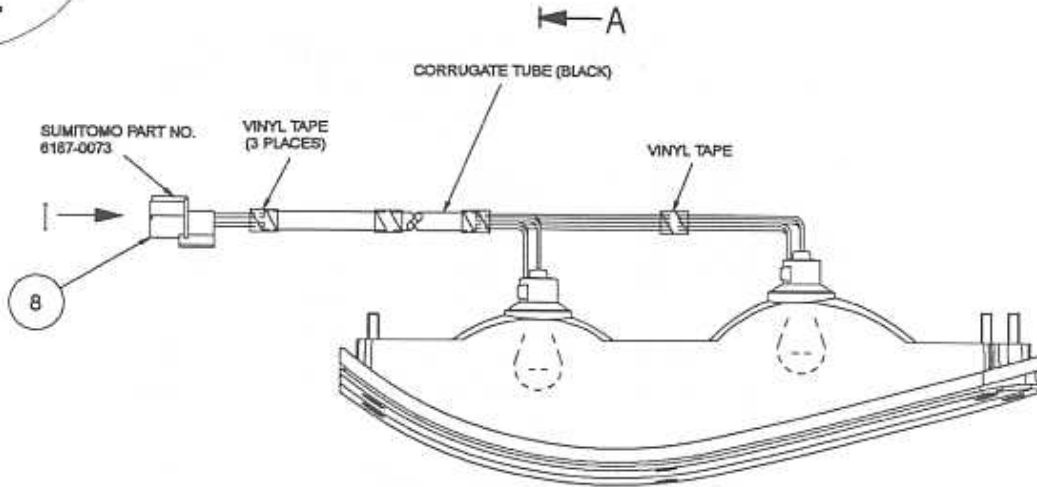
WIRE NO	WIRE COLOR	WIRE SIZE	FROM	CONNECTION	TO	FUNCTION
756	BrY	AVSS0.75sq	CN-30M	————	CN-30F	KPSS RELEASE SW. → PUMP P1 PROPORTIONAL SOL.
757	RY	AVSS0.75sq	CN-30M	————	CN-30F	KPSS RELEASE SW. ← PUMP P1 PROPORTIONAL SOL.
758	BrB	AVSS0.75sq	CN-30M	————	CN-30F	KPSS RELEASE SW. → PUMP P2 PROPORTIONAL SOL.
759	RL	AVSS0.75sq	CN-30M	————	CN-30F	KPSS RELEASE SW. ← PUMP P2 PROPORTIONAL SOL.
771	G	MVVS0.75sq	CN-30M	————	CN-30F	MECHATRO CONTROLLER → STEPPING MOTOR
772	B		CN-30M	————	CN-30F	MECHATRO CONTROLLER → STEPPING MOTOR
773	R		CN-30M	————	CN-30F	MECHATRO CONTROLLER → STEPPING MOTOR
774	W		CN-30M	————	CN-30F	MECHATRO CONTROLLER ← STEPPING MOTOR
SH2	Gr		CN-30M	————	CN-30F	SHIELD
900	RB	AVSS0.75sq	CN-30M	————	CN-30F	MECHATRO CONTROLLER → PRESS. SENSOR: BUCKET DIGGING
901	RL	AVSS0.75sq	CN-30M	————	CN-30F	MECHATRO CONTROLLER → PRESS. SENSOR: BUCKET DUMP
902	W	AVSS0.75sq	CN-30M	————	CN-30F	MECHATRO CONTROLLER → PRESS. SENSOR: BOOM RAISING
903	OB	AVSS0.75sq	CN-30M	————	CN-30F	MECHATRO CONTROLLER → PRESS. SENSOR: BOOM LOWERING
904	OL	AVSS0.75sq	CN-30M	————	CN-30F	MECHATRO CONTROLLER → PRESS. SENSOR: ARM IN
905	OW	AVSS0.75sq	CN-30M	————	CN-30F	MECHATRO CONTROLLER → PRESS. SENSOR: ARM OUT
906	YB	AVSS0.75sq	CN-30M	————	CN-30F	MECHATRO CONTROLLER → PRESS. SENSOR: SWING RIGHT
907	YG	AVSS0.75sq	CN-30M	————	CN-30F	MECHATRO CONTROLLER → PRESS. SENSOR: SWING LEFT
910	WY	AVSS0.75sq	CN-30M	————	CN-30F	MECHATRO CONTROLLER → PRESS. SENSOR: P1 NEGA-CON.
911	RG	AVSS0.75sq	CN-30M	————	CN-30F	MECHATRO CONTROLLER → PRESS. SENSOR: P2 NEGA-CON.
912	RW	AVSS0.75sq	CN-30M	————	CN-30F	MECHATRO CONTROLLER → PRESS. SENSOR: BACK PRESS.
915	YL	AVSS0.75sq	CN-30M	————	CN-30F	MECHATRO CONTROLLER → PRESS. SENSOR: PUMP P1
916	YR	AVSS0.75sq	CN-30M	————	CN-30F	MECHATRO CONTROLLER → PRESS. SENSOR: PUMP P2
950	BrR	AVSS0.75sq	CN-30M	————	CN-30F	MECHATRO CONTROLLER ← PRESS. SENSOR: BUCKET DIGGING
951	BL	AVSS0.75sq	CN-30M	————	CN-30F	MECHATRO CONTROLLER ← PRESS. SENSOR: BUCKET DUMP
952	BR	AVSS0.75sq	CN-30M	————	CN-30F	MECHATRO CONTROLLER ← PRESS. SENSOR: BOOM RAISING
953	BrW	AVSS0.75sq	CN-30M	————	CN-30F	MECHATRO CONTROLLER ← PRESS. SENSOR: BOOM LOWERING
954	BrL	AVSS0.75sq	CN-30M	————	CN-30F	MECHATRO CONTROLLER ← PRESS. SENSOR: ARM IN
955	Gr	AVSS0.75sq	CN-30M	————	CN-30F	MECHATRO CONTROLLER ← PRESS. SENSOR: ARM OUT
956	GrL	AVSS0.75sq	CN-30M	————	CN-30F	MECHATRO CONTROLLER ← PRESS. SENSOR: SWING RIGHT
957	Br	AVSS0.75sq	CN-30M	————	CN-30F	MECHATRO CONTROLLER ← PRESS. SENSOR: SWING LEFT
960	BY	AVSS0.75sq	CN-30M	————	CN-30F	MECHATRO CONTROLLER ← PRESS. SENSOR: P1 NEGA-CON.
961	BW	AVSS0.75sq	CN-30M	————	CN-30F	MECHATRO CONTROLLER ← PRESS. SENSOR: P2 NEGA-CON.
962	GrG	AVSS0.75sq	CN-30M	————	CN-30F	MECHATRO CONTROLLER ← PRESS. SENSOR: BACK PRESS.
965	BrB	AVSS0.75sq	CN-30M	————	CN-30F	MECHATRO CONTROLLER ← PRESS. SENSOR: PUMP P1
966	BrY	AVSS0.75sq	CN-30M	————	CN-30F	MECHATRO CONTROLLER ← PRESS. SENSOR: PUMP P2
E1	B	AVS5sq	CN-33F	————	CN-33M	EARTH → EARTH
E2	B	AVSS0.75sq	CN-30M	————	CN-30F	MECHATRO CONTROLLER → EARTH
E3	B	AVSS0.75sq	CN-30M	————	CN-30F	MECHATRO CONTROLLER → EARTH
X1	R	AVSS0.75sq	CN-30M	————	CN-30F	RESERVED
X2	R	AVSS0.75sq	CN-30M	————	CN-30F	RESERVED
X3	R	AVSS0.75sq	CN-30M	————	CN-30F	RESERVED
X4	R	AVSS0.75sq	CN-30M	————	CN-30F	RESERVED

UPPER HARNESS ASSEMBLY (LOGGER OPTION)

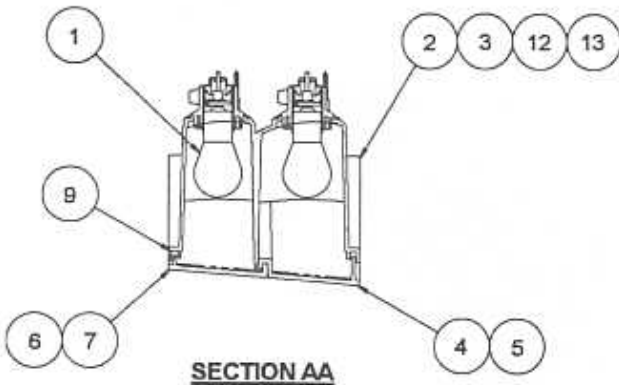
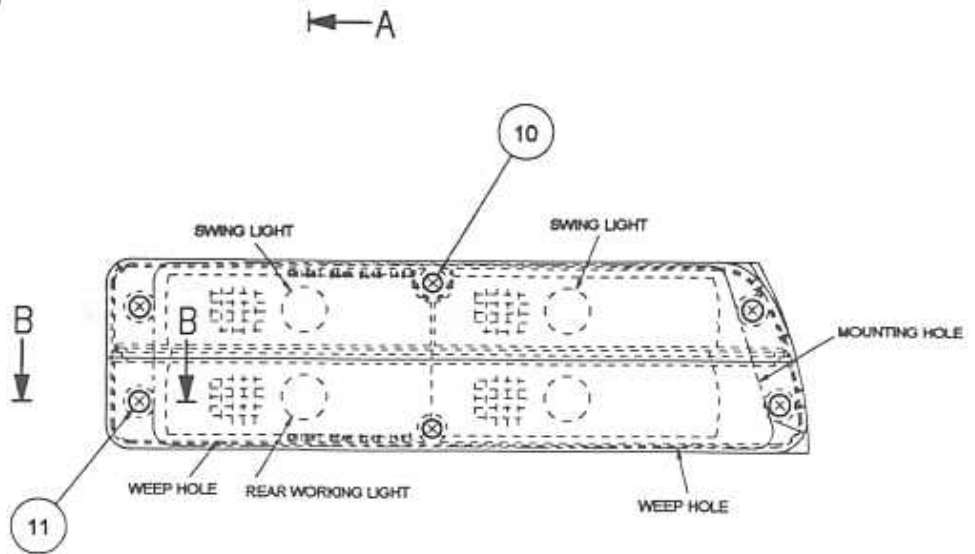
YQ08U0969-

ITEM	PART NUMBER	DESCRIPTION	QTY	
		HARNESS ASSY, UPPER (LOGGER OPTION)		
	YN13EU0001F1	HARNESS ASSY, UPP (CAB)		
A1	YN14E01034P1	HARNESS	1	See 266-10-3
A2	YR24S00002P1	RELAY (R-12: Clockwise; R-13: Counterclockwise; and R-15: Nibbler Open)	4	
A3	ZM61C06016	SEMS-BOLT (M6X16mm)	4	
A8	YN13E01253P1	HARNESS	1	See 266-10-4
	YN11E00013F1	HARNESS ASSY, UPP		
B1	YN11E01031P1	HARNESS	1	See 266-10-4
B2	PY01P01043D3	CLIP	1	
B3	YN13E01175P1	GROMMET	1	
C1	YN14EU1001D1	HARNESS EXTENTION	OP	See 266-10-5
		(L=500mm) (Test Only)		
	YN14EU1001D2	HARNESS EXTENTION	OP	
		(L=4200MM) (4ft. Riser)		
	YN14EU1001D3	HARNESS EXTENTION	OP	
		(L=4800MM) (6ft. Riser)		
	YN14EU1001D4	HARNESS EXTENTION	OP	See 266-10-5
		(L=6000mm) (10ft. Riser)		

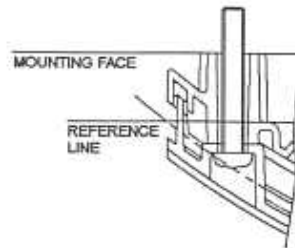
FLASHING LAMP ASSEMBLY



VIEW I



SECTION AA

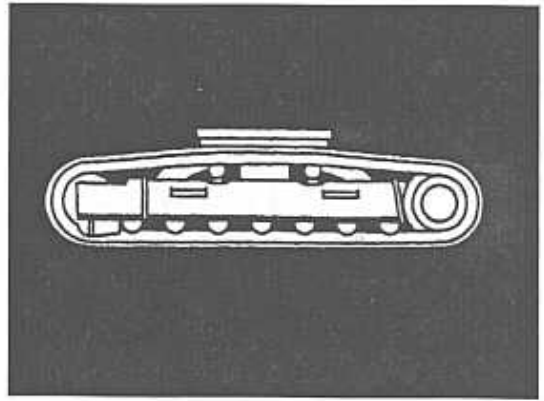


SECTION BB

FLASHING LAMP ASSEMBLY

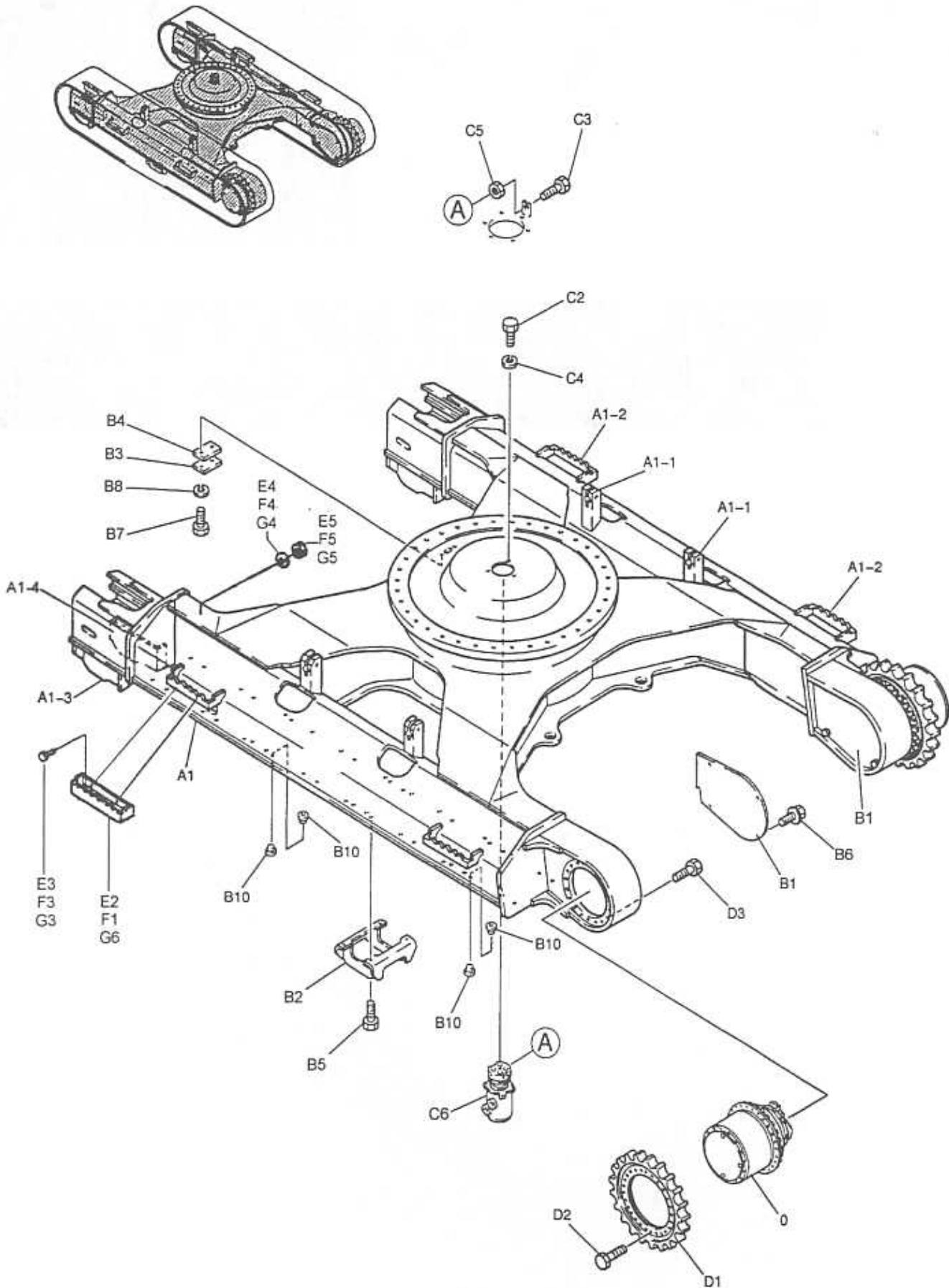
YQ08U0969-

ITEM	PART NUMBER	DESCRIPTION	QTY	
	YN80S00015F3	LAMP ASSY, FLASHING (RH)	F3	-
	YN80S00015F4	LAMP ASSY, FLASHING (LH)	-	F4
1	YN80S00015S001	BULB	4	4
4	YN80S00015S004	LENS (RH)	1	-
5	YN80S00015S005	LENS (LH)	-	1
6	YN80S00015S006	LENS (RH)	1	-
7	YN80S00015S007	LENS (LH)	-	1
8	YN80S00015S008	CABLE	1	1
9	YN80S00015S009	GASKET	1	9
10	YN80S00015S010	SCREW	2	2
11	YN80S00015S011	SCREW	4	4
12	YN80S00015S012	BODY ASSY (RH)	1	-
13	YN80S00015S013	BODY ASSY (LH)	-	1



UNDERCARRIAGE

LOWER INSTALLATION

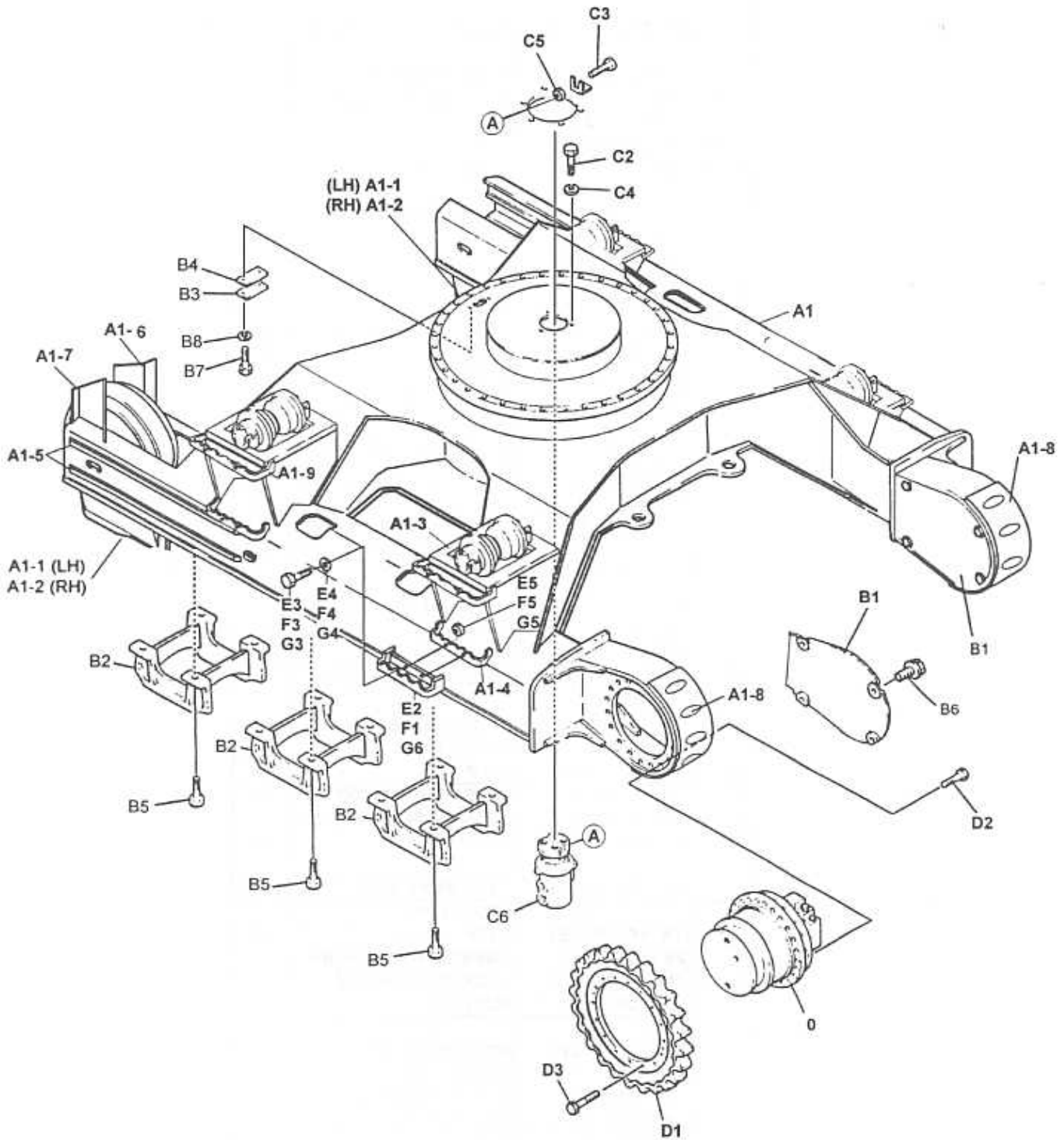


LOWER INSTALLATION

YQ08U0969-

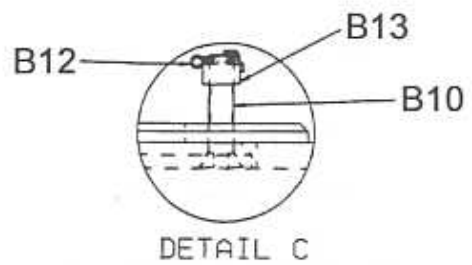
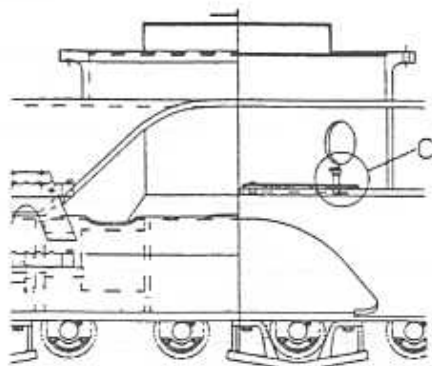
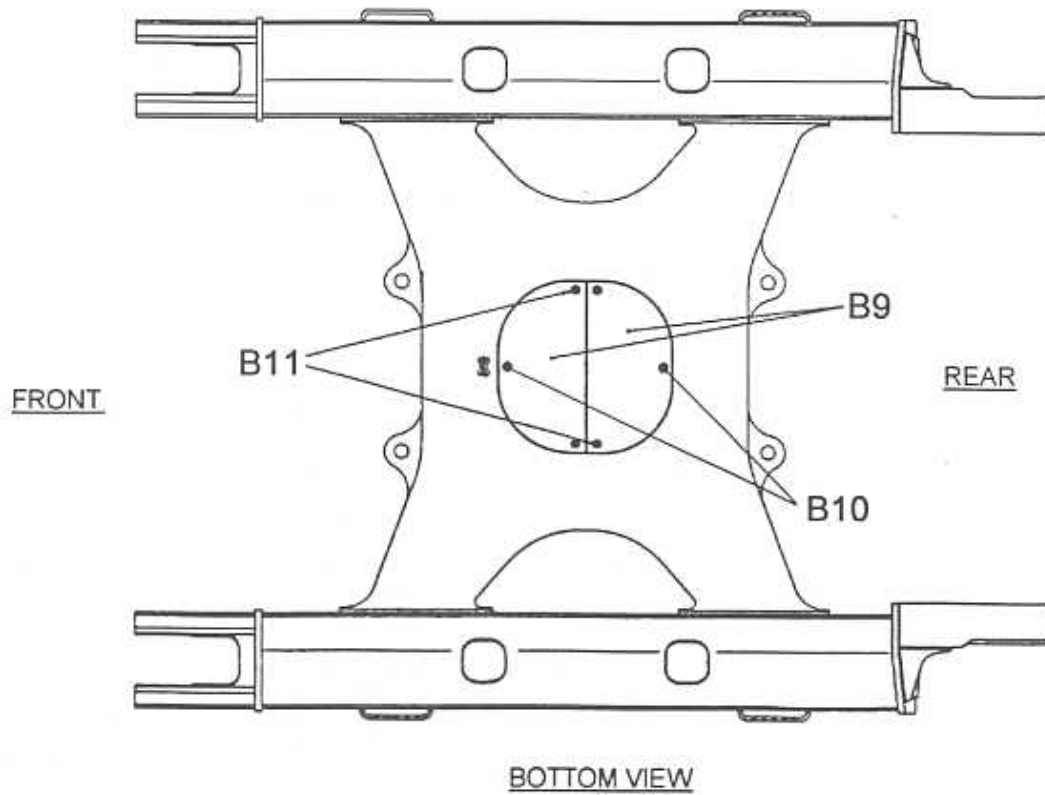
ITEM	PART NUMBER	DESCRIPTION	QTY	
		LOWER INSTALLATION		
0	YN15V00011F2	MOTOR ASSY, TRAVEL	2	See CPM
A1	YN02F00123P1	FRAME ASSY, LOWER	1	
A1-1	YN07F01103P1	SUPPORT (UFP Roller)	4	
A1-2	YN41C00037P1	STEP	4	
A1-3	YN07F01075P1	GUIDE (LH)	2	
A1-4	YN07F01076P1	GUIDE (RH)	2	
B1	YN01F00030F1	LOWER GROUP		
	YN01F01077P1	COVER	2	
B2	YN01F01039P1	GUIDE ASSY, TRACK	6	
B3	2422T556	PLATE	1	
B4	2418T12274	PACKING	1	
B5	2420P1580D1	CAPSCREW (M18X40mm)	24	
B6	2420T6786	CAPSCREW (M12X25mm)	8	
B7	ZS18C10014	CAPSCREW (M10X14mm)	2	
B8	ZW26X10000	LOCK WASHER (M10)	2	
C2	YN19H00040F2	JOINT ASSY, SWIVEL		
	ZS18C12025	CAPSCREW (M12X25mm)	3	
C3	ZS18F20120	CAPSCREW (M20X120mm)	1	
C4	ZW16X12000	WASHER (M12)	3	
C5	ZN18F20016	NUT (M20)	1	
C6	YN55V00037F2	JOINT, SWIVEL	1	See CPM
D1	YN53D00010F1	MOTOR INSTL, TRAVEL		
	2404N262	SPROCKET	2	
D2	ZS13C18055	BOLT (M18X55mm)	44	
D3	YN53D01003P1	CAPSCREW (M20X60mm)	34	
E2	YN41CU0002F2	EXTENSION, STEP (700mm Shoe)		
	YN41CU0004P1	STEP	4	
E3	ZS18C12050	CAPSCREW (M12X50mm)	8	
E4	ZW26X12000	LOCK WASHER (M12)	8	
E5	ZN18C12010	NUT (M12)	8	
F1	YN41CU0002F1	EXTENSION, STEP (800mm Shoe)		
	YN41CU0003P1	STEP	4	
F3	ZS18C12050	CAPSCREW (M12X50mm)	8	
F4	ZW26X12000	LOCK WASHER (M12)	8	
F5	ZN18C12010	NUT (M12)	8	
G3	YN41CU0002F3	EXTENSION, STEP (900mm Shoe)		
	ZS18C12050	CAPSCREW (M12X50mm)	8	
G4	ZW26X12000	LOCK WASHER (M12)	8	
G5	ZN18C12010	NUT (M12)	8	
G6	YN41CU0005P1	STEP	4	

LOWER INSTALLATION (HIGH & WIDE)



LOWER INSTALLATION (HIGH & WIDE)

YQ08U0969-

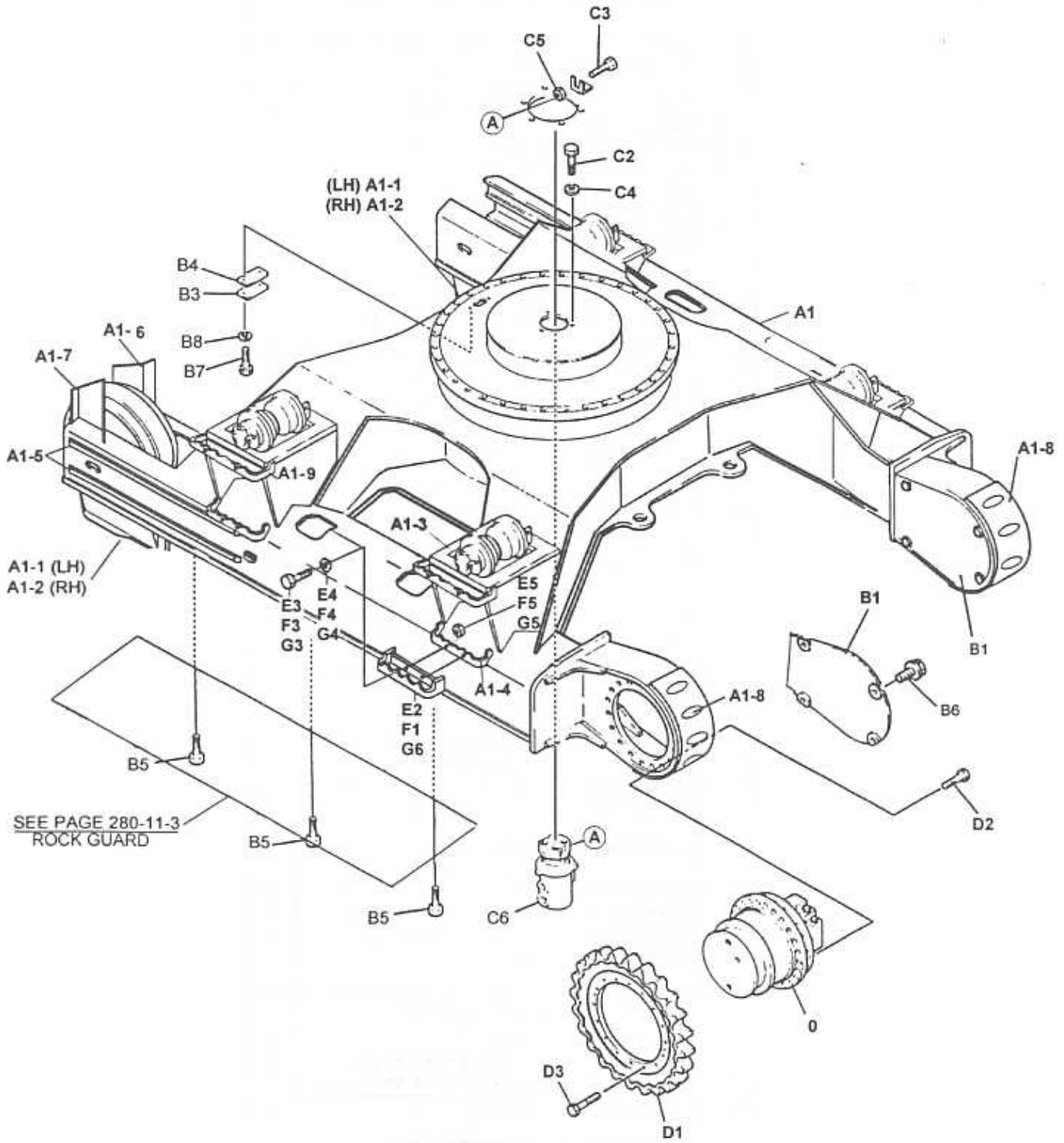


LOWER INSTALLATION

YQ08U0969-

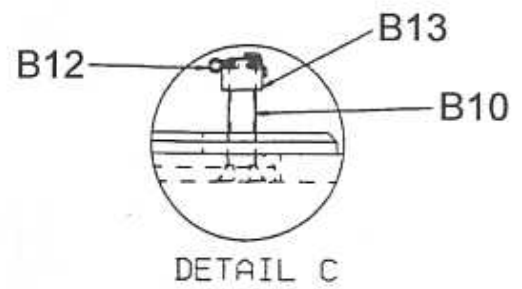
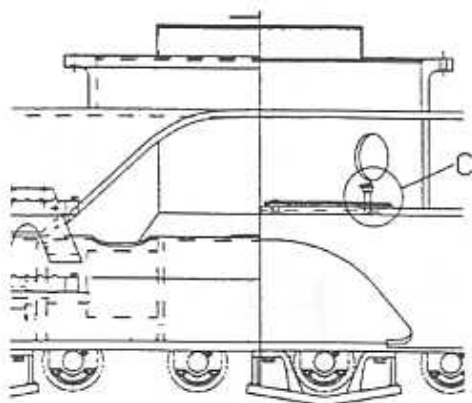
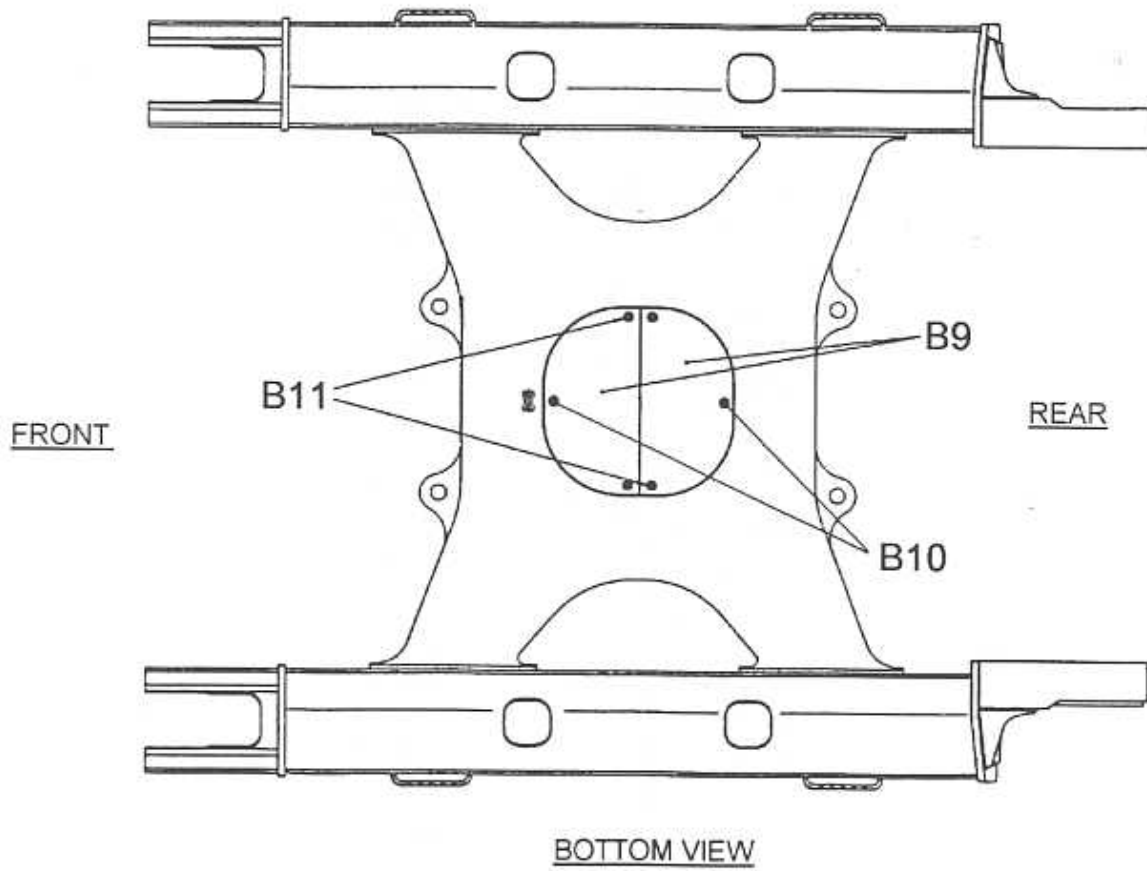
ITEM	PART NUMBER	DESCRIPTION	QTY	
		LOWER INSTALLATION (High & Wide)		
0	YN15V00011F2	MOTOR ASSY, TRAVEL	2	See CPM
A1	YN02FU0014P1	FRAME ASSY, LOWER (H&W)	1	
A1-1	YN07F01075P1	GUIDE (LH)	2	
A1-2	YN07F01076P1	GUIDE (RH)	2	
A1-3	YN02FU1044P1	SUPPORT (LFP Roller) (H&W)	4	
A1-4	YN41C00037P1	STEP	4	
A1-5	YN07FU1013P1	PLATE	4	
A1-6	LB07FU1007P1	PLATE (RH)	2	
A1-7	LB07FU1008P1	PLATE (LH)	2	
A1-8	2418P51129	PLATE	2	
A1-9	YN41CU0003P1	STEP (H&W)	4	
B1	YN01FU0002F1	LOWER GROUP (H&W)		
	YN01FU1011P1	COVER	2	
B2	YN01F01039P1	GUIDE ASSY, TRACK	6	
B3	2422T556	PLATE	1	
B4	2418T12274	PACKING	1	
B5	2420P1580D1	CAPSCREW (M18X40mm)	24	
B6	2420T6786	CAPSCREW (M12X25mm)	8	
B7	ZS18C10014	CAPSCREW (M10X14mm)	2	
B8	ZW26X10000	LOCK WASHER (M10)	2	
B9	YN01FU1012P1	COVER	2	
B10	LQ01FU1016P1	BOLT (M24X92mm)	2	
B11	LQ01FU1015P1	BOLT (M24X50mm)	4	
B12	ZP16D05045	SPLIT PIN	2	
B13	ZN23C24027	NUT	2	
C2	YN19H00040F2	JOINT ASSY, SWIVEL		
	ZS18C12025	CAPSCREW (M12X25mm)	3	
C3	ZS18F20120	CAPSCREW (M20X120mm)	1	
C4	ZW16X12000	WASHER (M12)	3	
C5	ZN18F20016	NUT (M20)	1	
C6	YN55V00037F2	JOINT, SWIVEL	1	See CPM
D1	YN53D00010F1	MOTOR INSTL, TRAVEL		
	2404N262	SPROCKET	2	
D2	ZS13C18055	BOLT (M18X55mm)	44	
D3	YN53D01003P1	CAPSCREW (M20X60mm)	34	
	YN41CU0002F2	EXTENSION, STEP (700mm Shoe)		
E2	YN41CU0004P1	STEP	4	
E3	ZS18C12050	CAPSCREW (M12X50mm)	8	
E4	ZW26X12000	LOCK WASHER (M12)	8	
E5	ZN18C12010	NUT (M12)	8	
F1	YN41CU0002F1	EXTENSION, STEP (800mm Shoe)		
	YN41CU0003P1	STEP	4	
F3	ZS18C12050	CAPSCREW (M12X50mm)	8	
F4	ZW26X12000	LOCK WASHER (M12)	8	
F5	ZN18C12010	NUT (M12)	8	
	YN41CU0002F3	EXTENSION, STEP (900mm Shoe)		
G3	ZS18C12050	CAPSCREW (M12X50mm)	8	
G4	ZW26X12000	LOCK WASHER (M12)	8	
G5	ZN18C12010	NUT (M12)	8	
G6	YN41CU0005P1	STEP	4	

LOWER INSTALLATION (LOGGER-HIGH & WIDE)

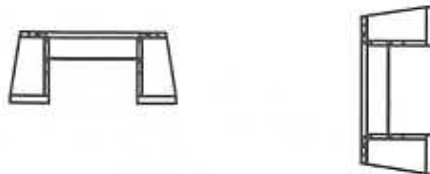
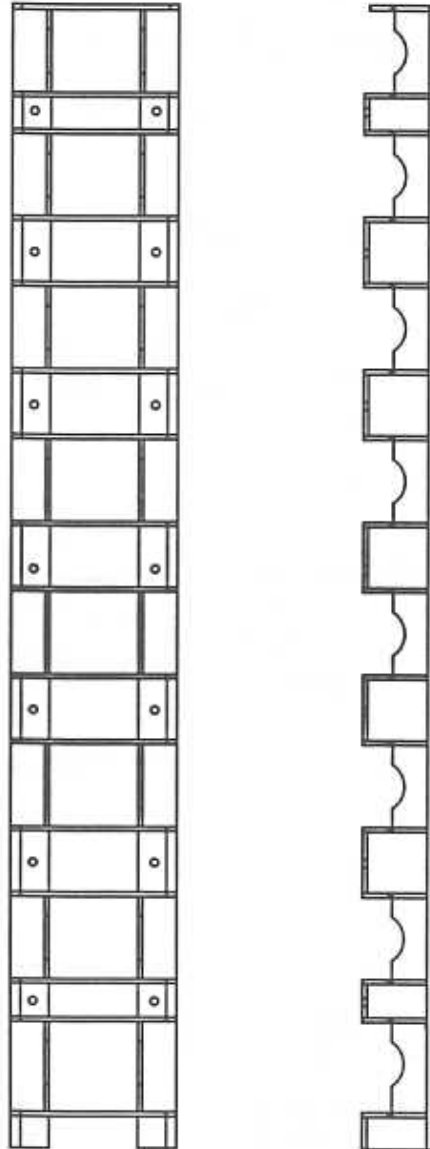


LOWER INSTALLATION (LOGGER-HIGH & WIDE)

YQ08U0969-



LOWER INSTALLATION (LOGGER-HIGH & WIDE)



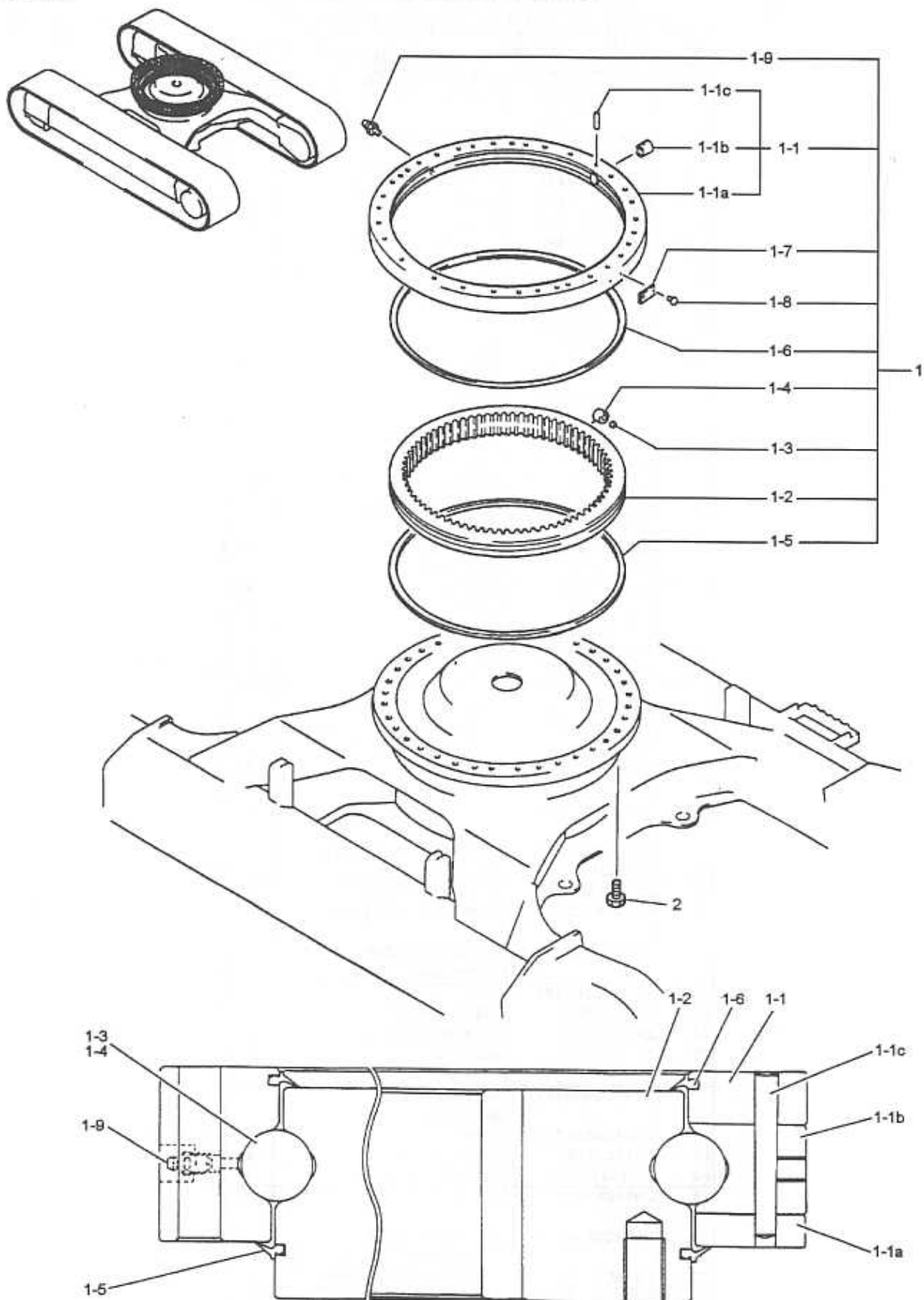
(B14) YN01FU1013P1
ROCK GUARD

LOWER INSTALLATION (LOGGER-HIGH & WIDE)

YQ08U0969-

ITEM	PART NUMBER	DESCRIPTION	QTY
		LOWER INSTALLATION (High & Wide)	
0	YN15V00011F2	MOTOR ASSY, TRAVEL	2
			See CPM
A1	YN02FU0014P1	FRAME ASSY, LOWER (H&W)	1
A1-1	YN07F01075P1	GUIDE (LH)	2
A1-2	YN07F01076P1	GUIDE (RH)	2
A1-3	YN02FU1044P1	SUPPORT (UPP Roller) (H&W)	4
A1-4	YN41C00037P1	STEP	4
A1-5	YN07FU1013P1	PLATE	4
A1-6	LB07FU1007P1	PLATE (RH)	2
A1-7	LB07FU1008P1	PLATE (LH)	2
A1-8	2418P51129	PLATE	2
A1-9	YN41CU0003P1	STEP (H&W)	4
	YN01FU0002F2	LOWER GROUP (H&W) (Full Length Track Guide)	
B1	YN01FU1011P1	COVER	2
B3	2422T556	PLATE	1
B4	2418T12274	PACKING	1
B5	2420P1580D1	CAPSCREW (M18X40mm)	24
B6	2420T6786	CAPSCREW (M12X25mm)	8
B7	ZS18C10014	CAPSCREW (M10X14mm)	2
B8	ZW26X10000	LOCK WASHER (M10)	2
B9	YN01FU1012P1	COVER	2
B10	LQ01FU1016P1	BOLT	2
B11	LQ01FU1015P1	BOLT	4
B12	ZP16D005045	SPLIT PIN	2
B14	YN01FU1013P1	GUARD, ROCK	2
			See 280-11-3
	YN19H00040F2	JOINT ASSY, SWIVEL	
C2	ZS18C12025	CAPSCREW (M12X25mm)	3
C3	ZS18F20120	CAPSCREW (M20X120mm)	1
C4	ZW16X12000	WASHER (M12)	3
C5	ZN18F20016	NUT (M20)	1
C6	YN55V00037F2	JOINT, SWIVEL	1
			See CPM
	YN53D00010F1	MOTOR INSTL, TRAVEL	
D1	2404N262	SPROCKET	2
D2	ZS13C18055	BOLT (M18X55mm)	44
D3	YN53D01003P1	CAPSCREW (M20X60mm)	34
	YN41CU0002F2	EXTENSION, STEP (700mm Shoe)	
E2	YN41CU0004P1	STEP	4
E3	ZS18C12050	CAPSCREW (M12X50mm)	8
E4	ZW26X12000	LOCK WASHER (M12)	8
E5	ZN18C12010	NUT (M12)	8
	YN41CU0002F1	EXTENSION, STEP (800mm Shoe)	
F1	YN41CU0003P1	STEP	4
F3	ZS18C12050	CAPSCREW (M12X50mm)	8
F4	ZW26X12000	LOCK WASHER (M12)	8
F5	ZN18C12010	NUT (M12)	8
	YN41CU0002F3	EXTENSION, STEP (900mm Shoe)	
G3	ZS18C12050	CAPSCREW (M12X50mm)	8
G4	ZW26X12000	LOCK WASHER (M12)	8
G5	ZN18C12010	NUT (M12)	8
G6	YN41CU0005P1	STEP	4

SLEWING RING



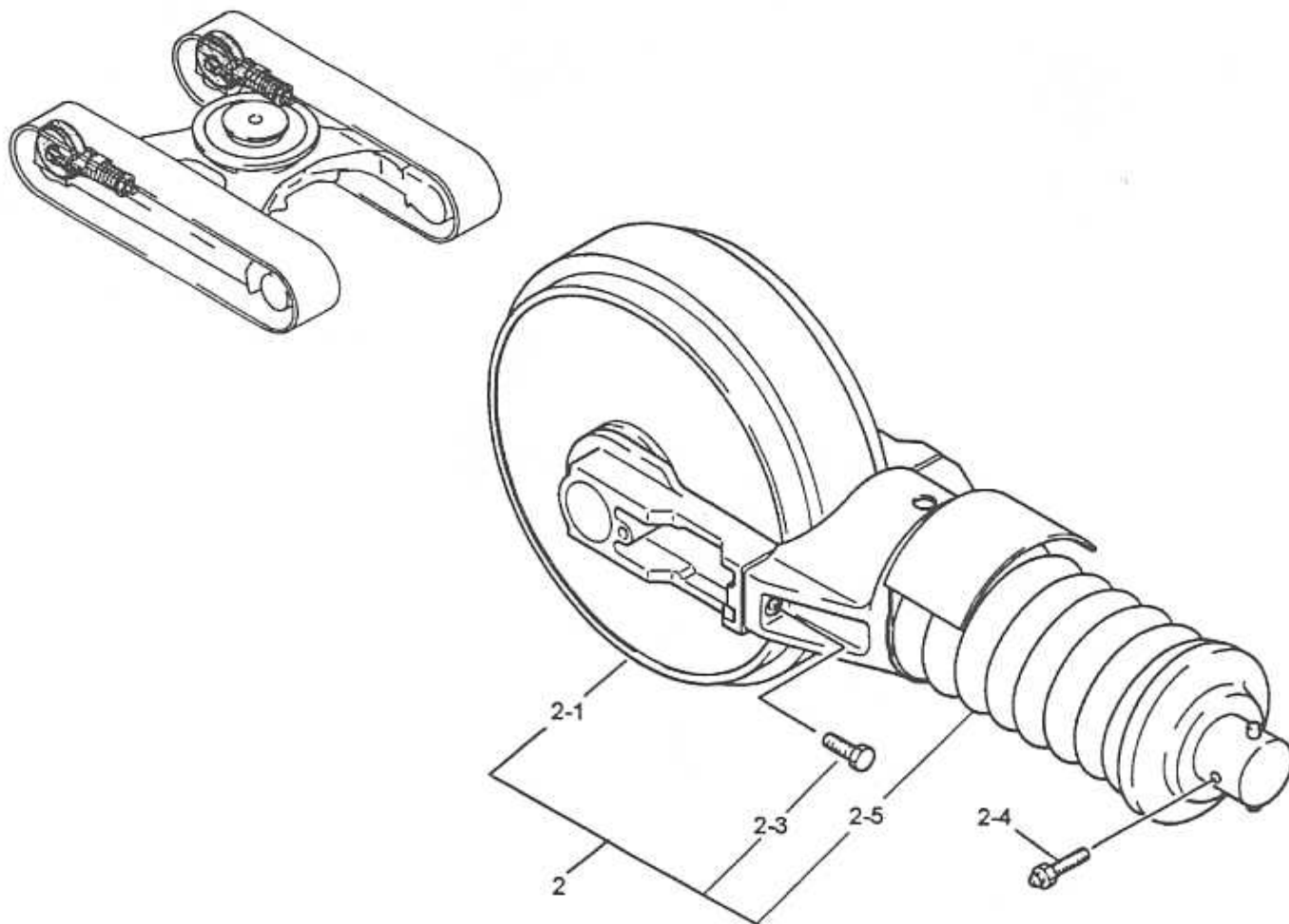
SLEWING RING

YQ08U0969-

ITEM	PART NUMBER	DESCRIPTION	QTY
	YN40F00020F1	RING ASSY, SLEWING	
1	YN40F00019F1	RING, SLEWING	1
1-1	YN40F01008P1	RACE, OUTER	1
1-1a	(N/A)	RACE, OUTER	1
1-1b	2420T4508	PLUG	1
1-1c	2419T1964D1	PIN, TAPER	1
1-2	2425N368	RACE, INNER	1
1-3	2425T380	BALL	104
1-4	2425T381	RETAINER	104
1-5	2445P165D2	SEAL	1
1-6	2445P165D1	SEAL	1
1-7	YN22T00191P1	NAME PLATE	1
1-8	4020Z64	RIVET	2
1-9	ZG91S02000	FITTING, GREASE	1
2	YN40F01001P1	CAPSCREW (M20X65mm)	36
	2445P114D7	SEAL KIT CONSISTS OF ITEM 1-5, 1-6	1

CRAWLER IDLER ASSEMBLY

YQ08U0969-

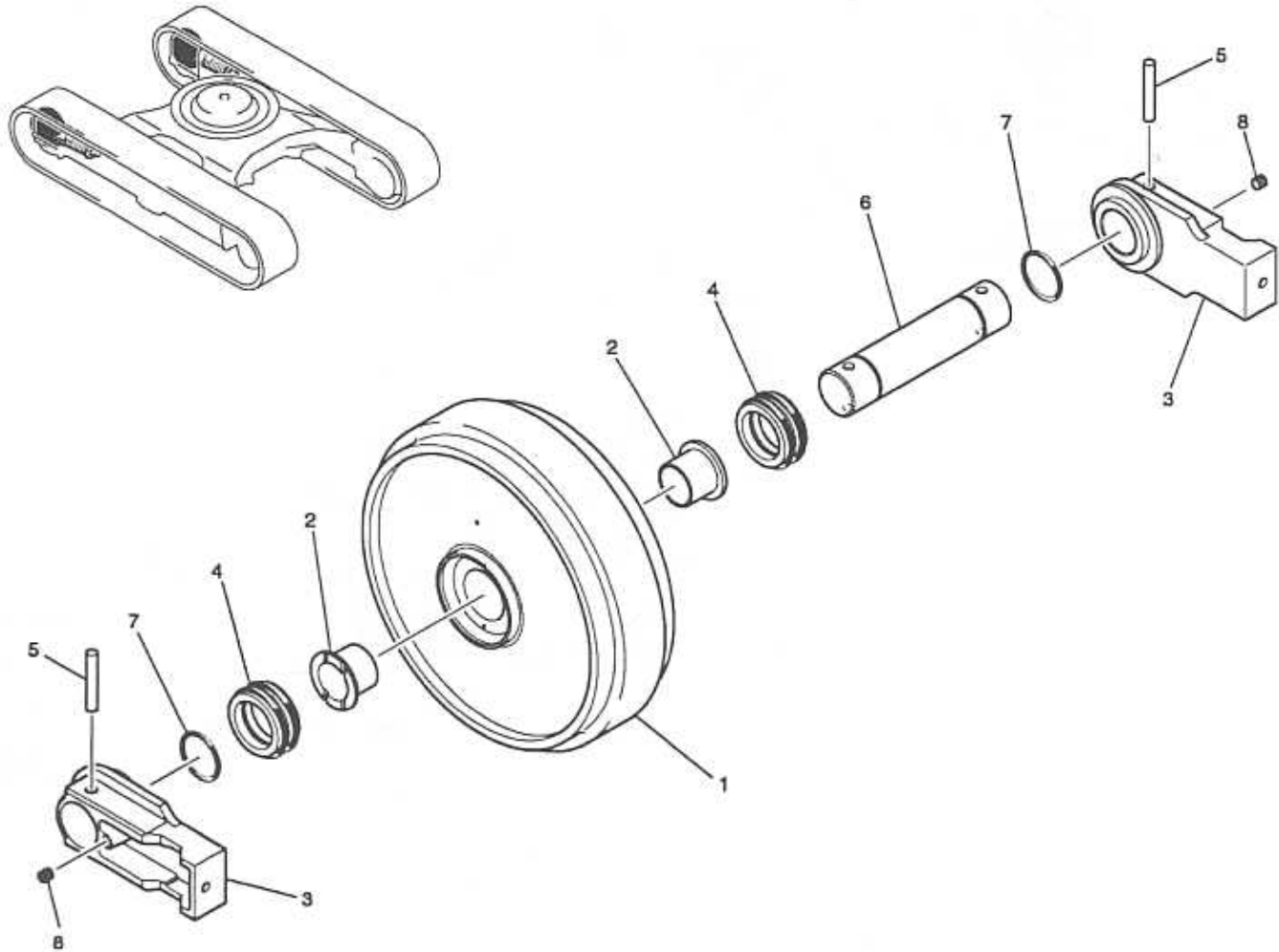


ITEM	PART NUMBER	DESCRIPTION	QTY
	YN52D00027F2	IDLER ASSY, CRAWLER	
2	YN52D00024F2	IDLER ASSY, CRAWLER	2
2-1	YN52D00009F1	IDLER ASSY	1
2-3	ZS13C16045	CAPSCREW (M16X45mm)	2
2-4	2444P803	NIPPLE, GREASE	1
2-5	YN54D00010F2	IDLER ADJUST ASSY	1

See 306-01-1

See 314-01-1

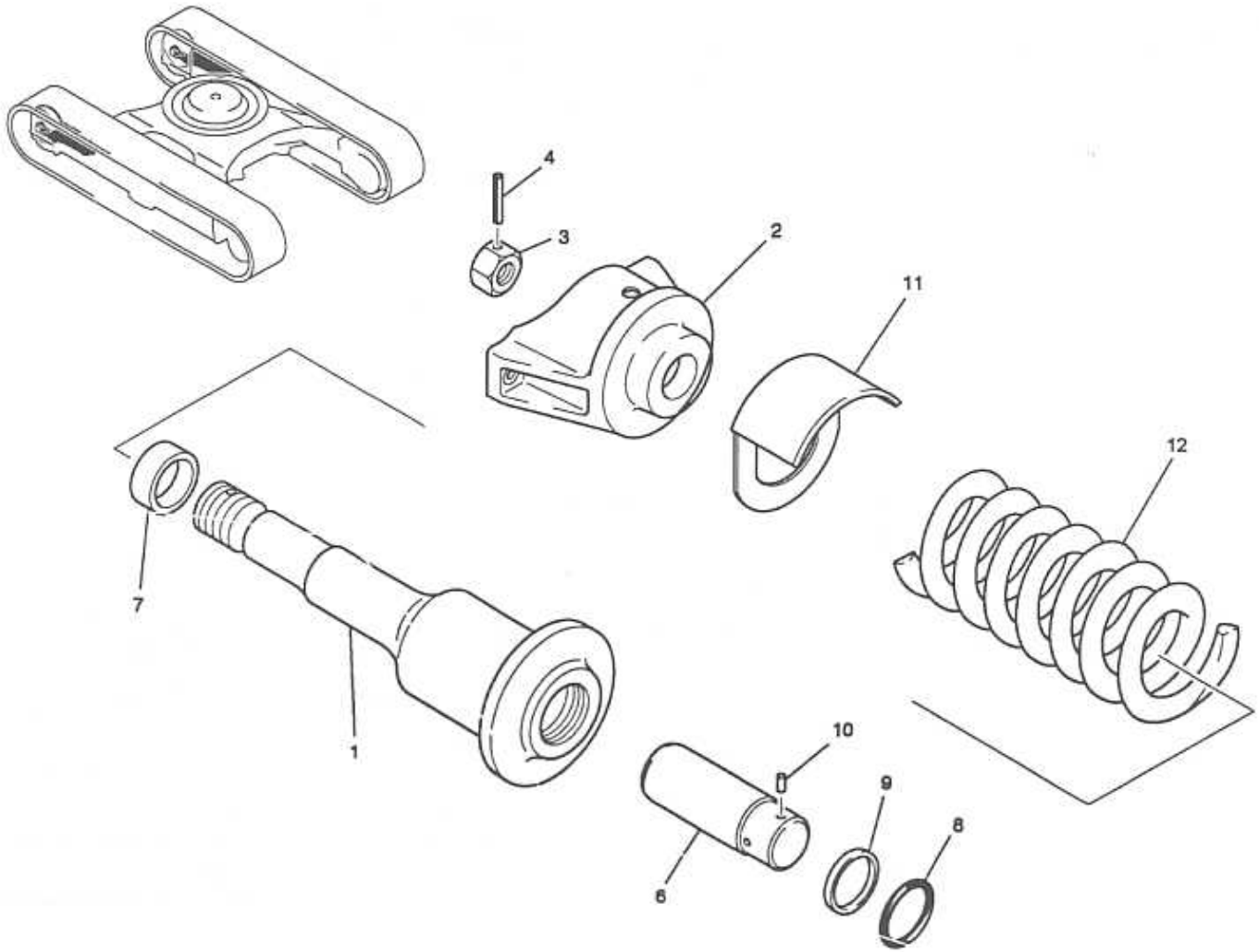
IDLER ASSEMBLY



ITEM	PART NUMBER	DESCRIPTION	QTY
	YN52D00009F1	IDLER ASSY	
1	YN52D01006P1	IDLER	1
2	2405P482	BUSHING	2
3	YN52D01011P1	COLLAR	2
4	2445R442F1	SEAL, FLOATING	2
5	YN52D01008P1	PIN	2
6	YN52D01001P1	SHAFT	1
7	ZD11G07000	O-RING	2
8	ZE82T02000	PLUG	2

IDLER ADJUSTMENT ASSEMBLY

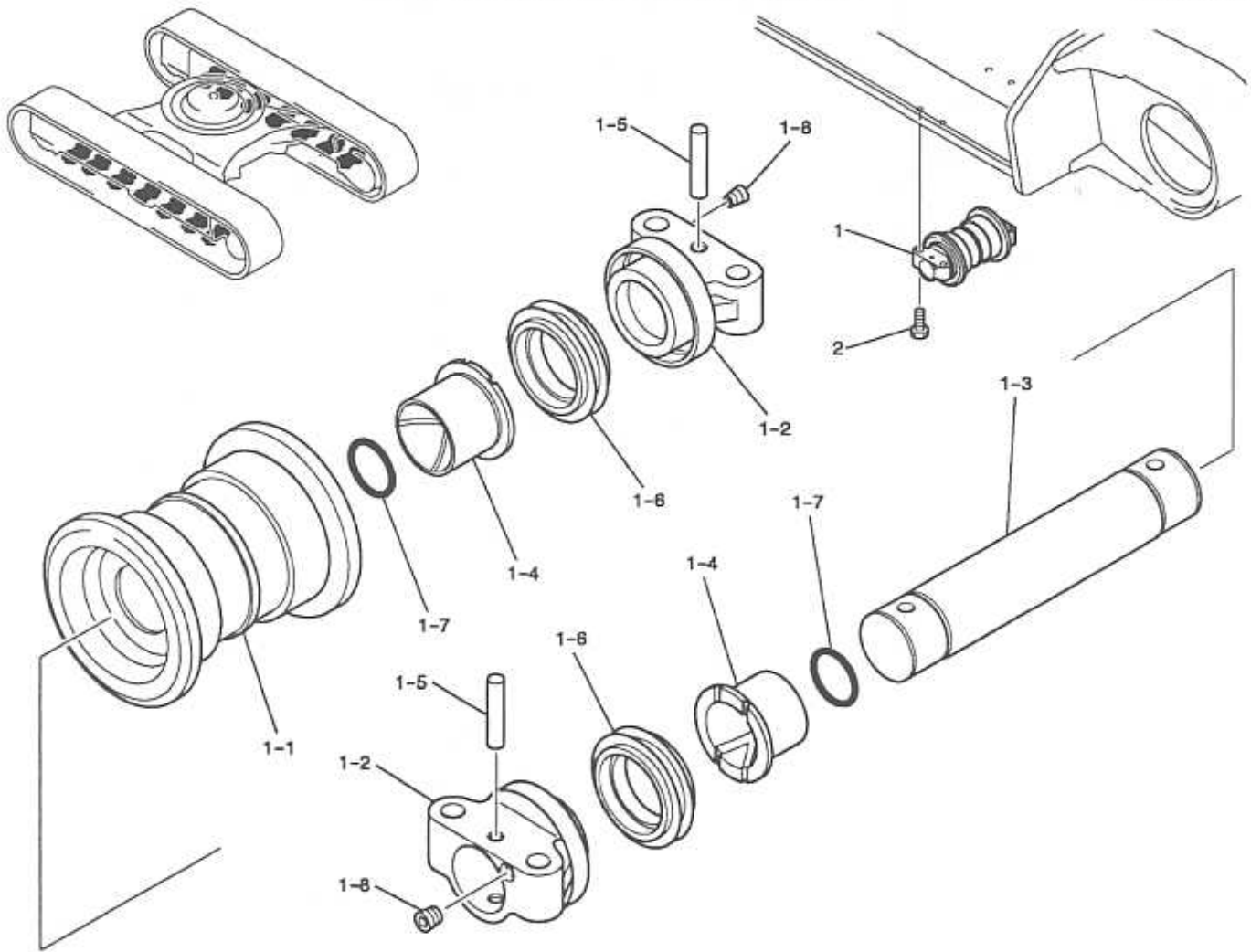
YQ08U0969-



ITEM	PART NUMBER	DESCRIPTION	QTY
	YN54D00010F2	ADJUSTER ASSY, IDLER	
1	YN70V00006P1	CYLINDER, GREASE	1
2	YN54D01041P1	BRACKET	1
3	YN54D01038P1	NUT	1
4	ZP26D08080	SPRING PIN	1
6	2439P177	PISTON	1
7	YN54D01042P1	COLLAR	1
8	ZD12G08000	O-RING	1
9	2418U130D35	U-PACKING	1
10	2419T4748	PIN	2
11	YN54D01029P1	COVER	1
12	YN54D01043P1	SPRING	1

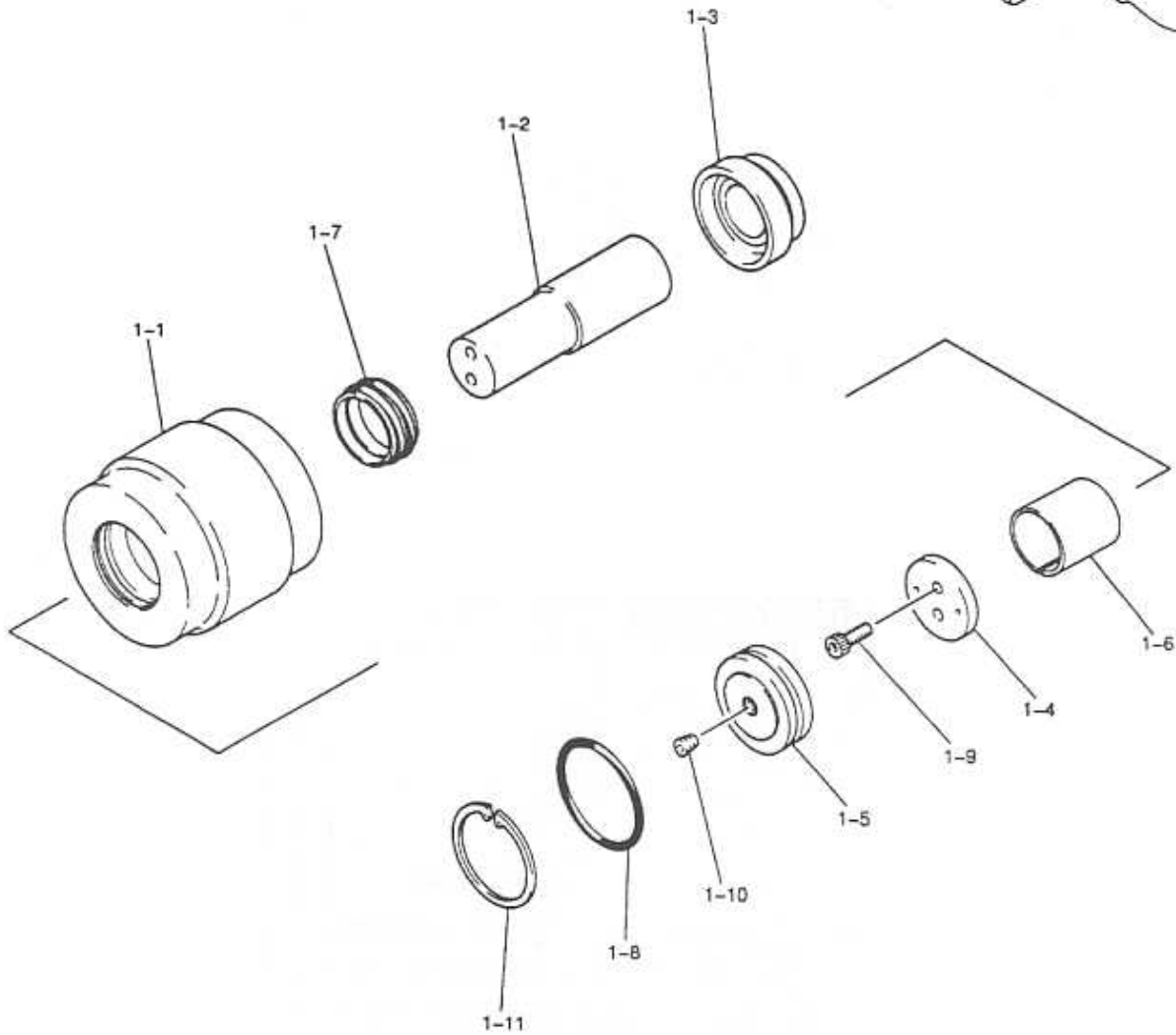
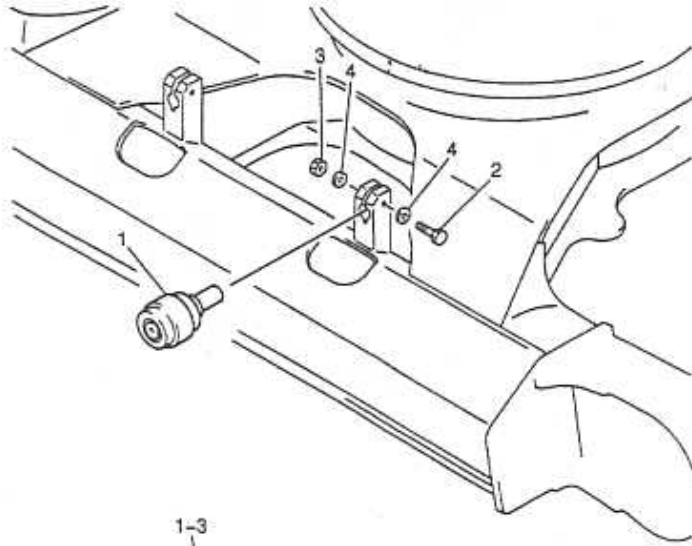
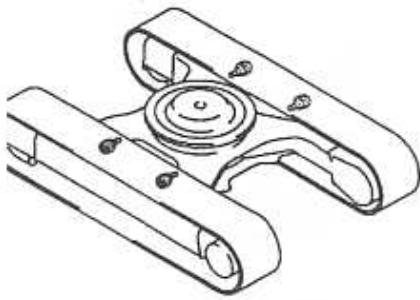
LOWER ROLLER ASSEMBLY

YQ08U0969-



ITEM	PART NUMBER	DESCRIPTION	QTY
	YN64D00010F3	ROLLER ASSY, LOWER	
1	YN64D00013F1	ROLLER, TRACK	18
1-1	YN64D01021P1	ROLLER	1
1-2	YN64D01020P1	COLLAR	2
1-3	2410N862	SHAFT	1
1-4	2405P489	BUSHING	2
1-5	2419T7353	PIN	2
1-6	2445R441F1	SEAL, FLOATING	2
1-7	ZD11G06000	O-RING	2
1-8	ZEB2T04000	PLUG	2
2	2420P1580D4	CAPSCREW (M18X80mm)	72

UPPER ROLLER ASSEMBLY

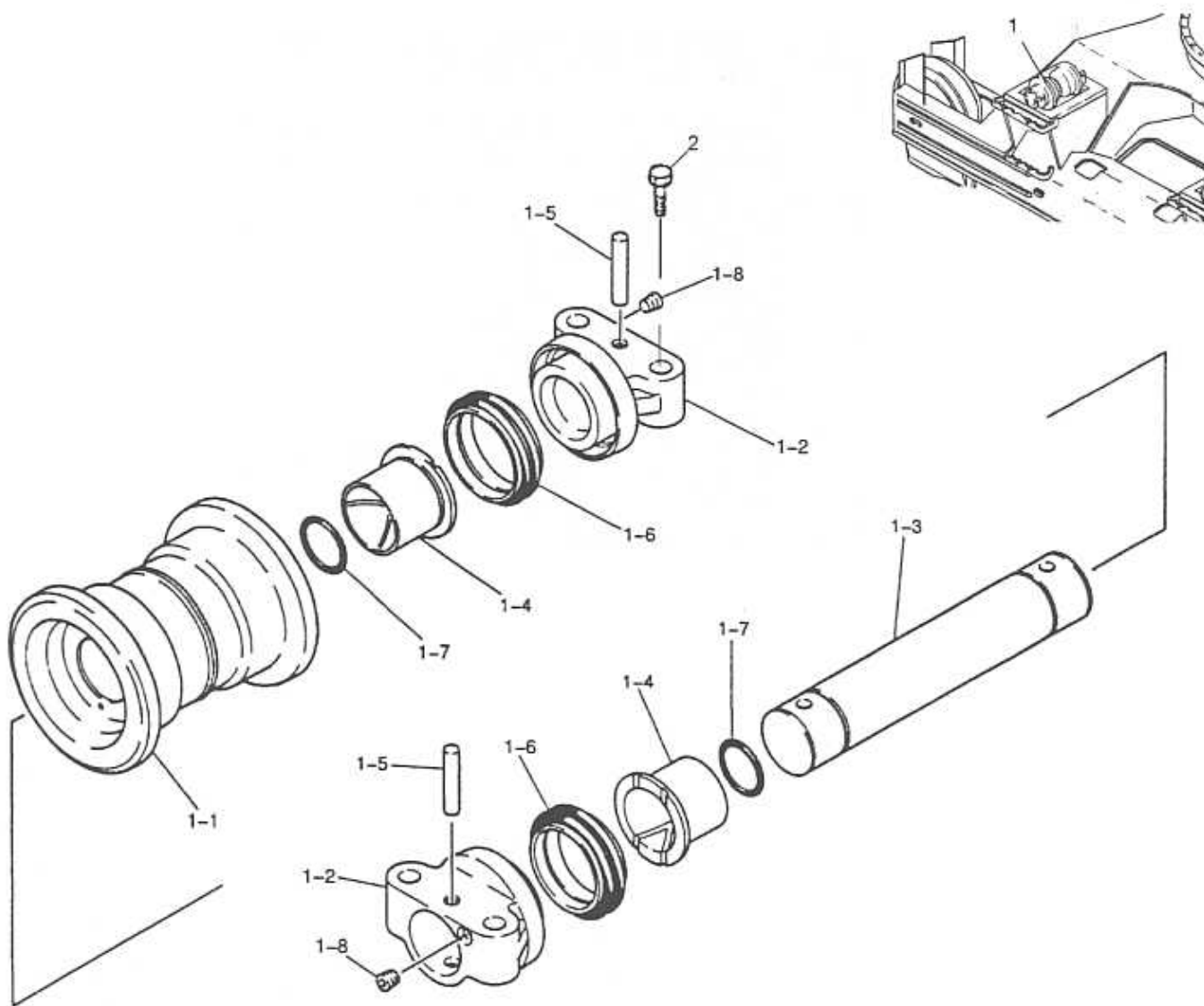


UPPER ROLLER ASSEMBLY

YQ08U0969-

ITEM	PART NUMBER	DESCRIPTION	QTY
	YN64D00014F1	ROLLER ASSY, UPPER	
1	YN64D01022F1	ROLLER ASSY	4
1-1	YN64D01023P1	ROLLER	1
1-2	YN64D01024P1	SHAFT	1
1-3	YN64D01025P1	COLLAR	1
1-4	YN64D01038P1	PLATE	1
1-5	YN64D01026P1	COVER	1
1-6	YN64D01027P1	BUSHING	1
1-7	ZD58F05827	SEAL, FLOATING	1
1-8	ZD11P06500	O-RING	1
1-9	YN64D01016P1	BOLT (M12X28mm)	2
1-10	ZE82T04000	PLUG	1
1-11	ZR26X07500	RING, SNAP	1
2	ZS13C20120	CAPSCREW (M20X120mm)	4
3	ZN13C20016	NIUT (M20)	4
4	ZW13H20000	WASHER (M20)	8

UPPER ROLLER ASSEMBLY (HIGH & WIDE)

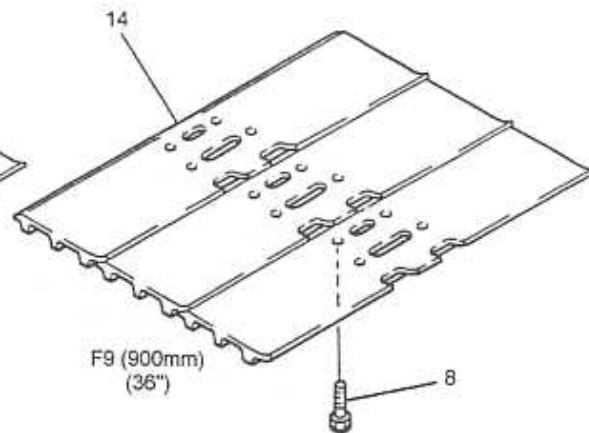
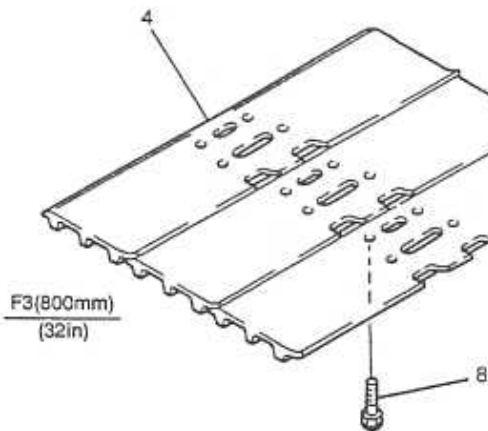
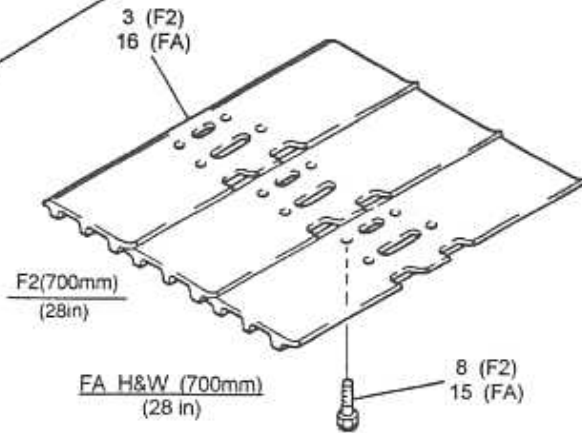
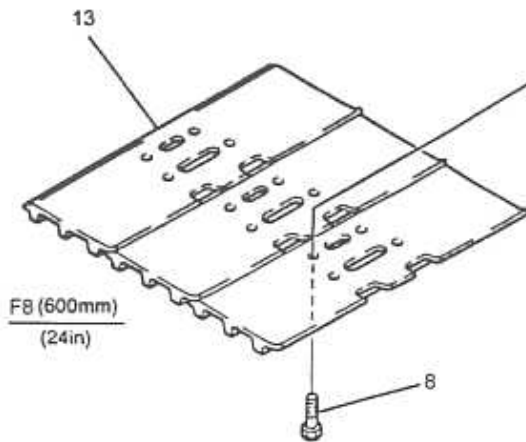
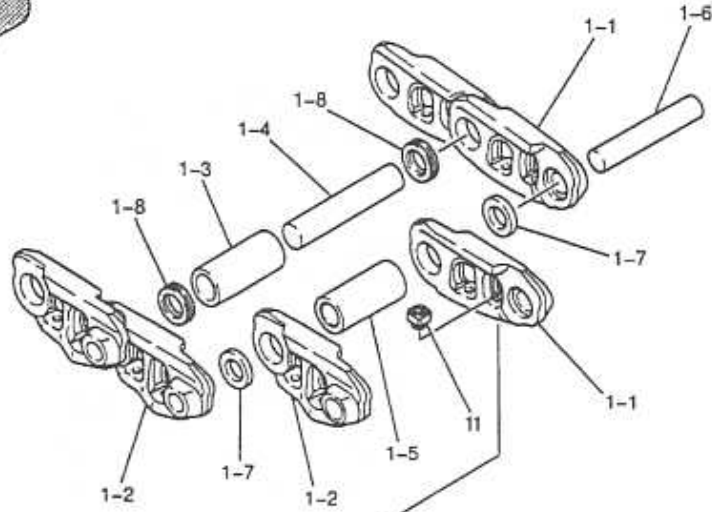
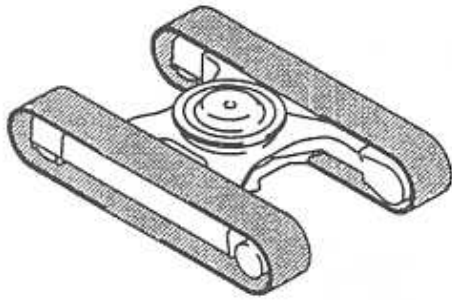


UPPER ROLLER ASSEMBLY (HIGH & WIDE)

YQ08U0969-

ITEM	PART NUMBER	DESCRIPTION	QTY
	YN64DU0001F1	ROLLER ASSY, UPPER (High & Wide)	
1	YN64D00013F1	ROLLER, TRACK,	4
1-1	YN64D01021P1	ROLLER	1
1-2	YN64D01020P1	COLLAR	2
1-3	2410N862	SHAFT	1
1-4	2405P489	BUSHING	2
1-5	2419T7353	PIN	2
1-6	2445R441F1	SEAL, FLOATING	2
1-7	ZD11G06000	O-RING	2
1-8	ZE82T04000	PLUG (PF1/4)	2
2	2420P1580D4	CAPSCREW (M18X80mm)	16

SHOE ASSEMBLY

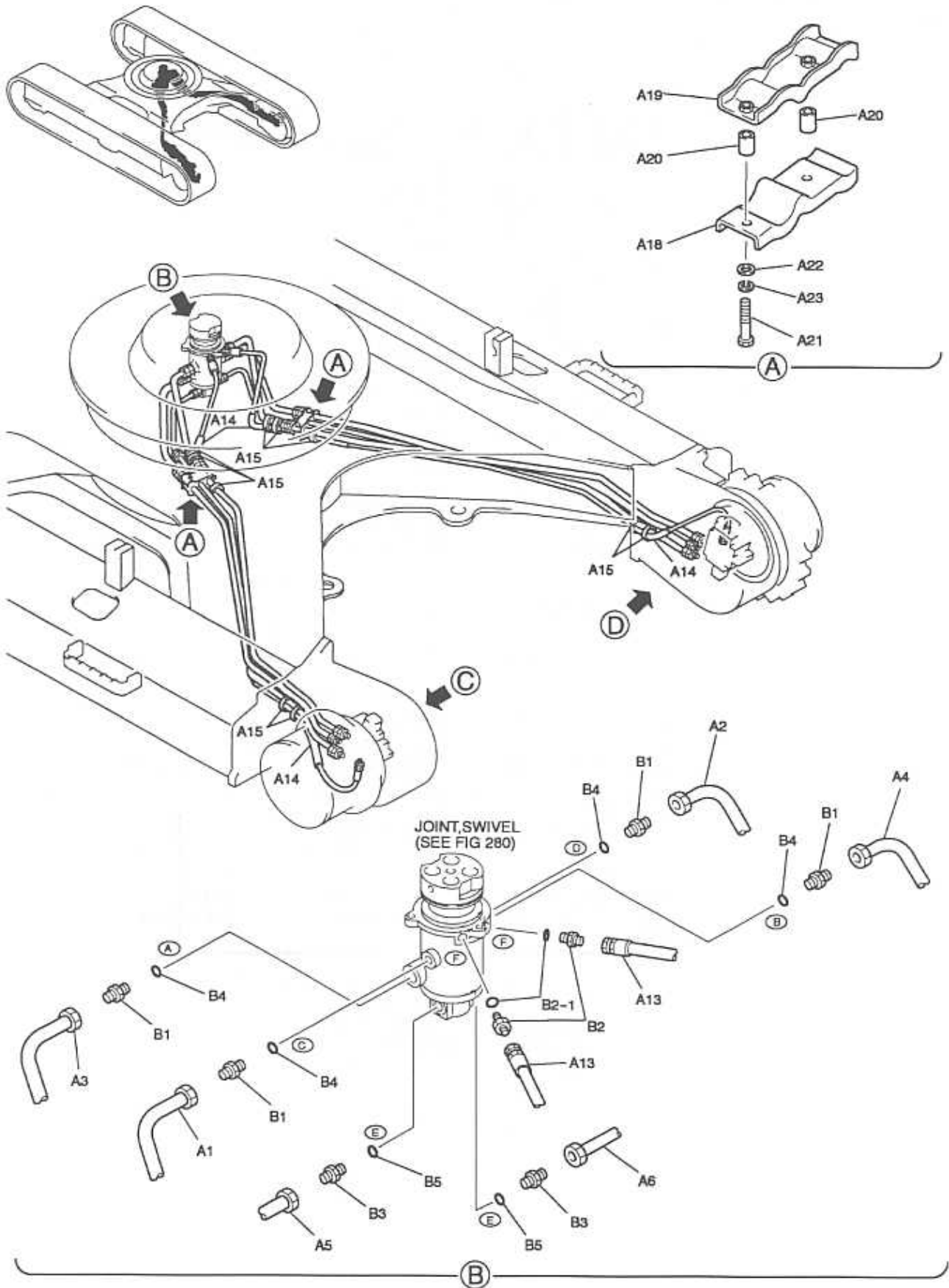


SHOE ASSEMBLY

YQ08U0969~

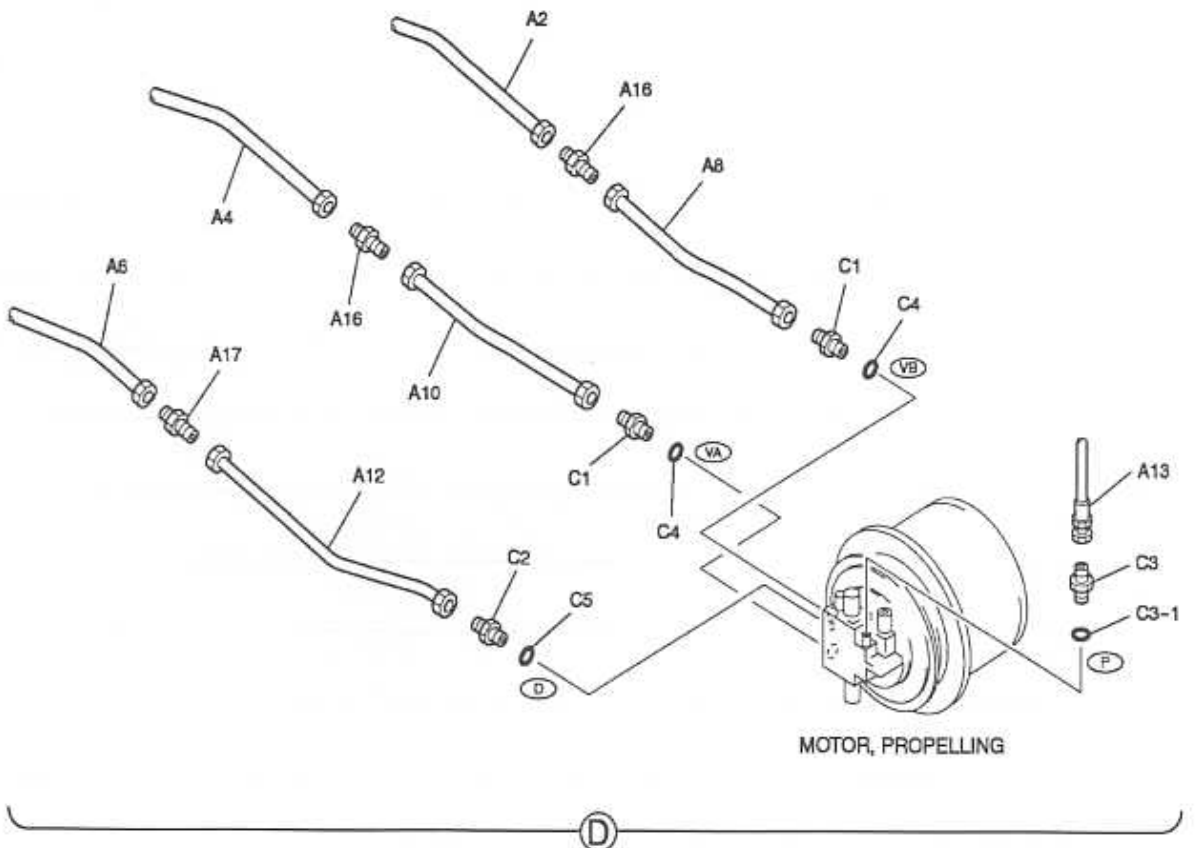
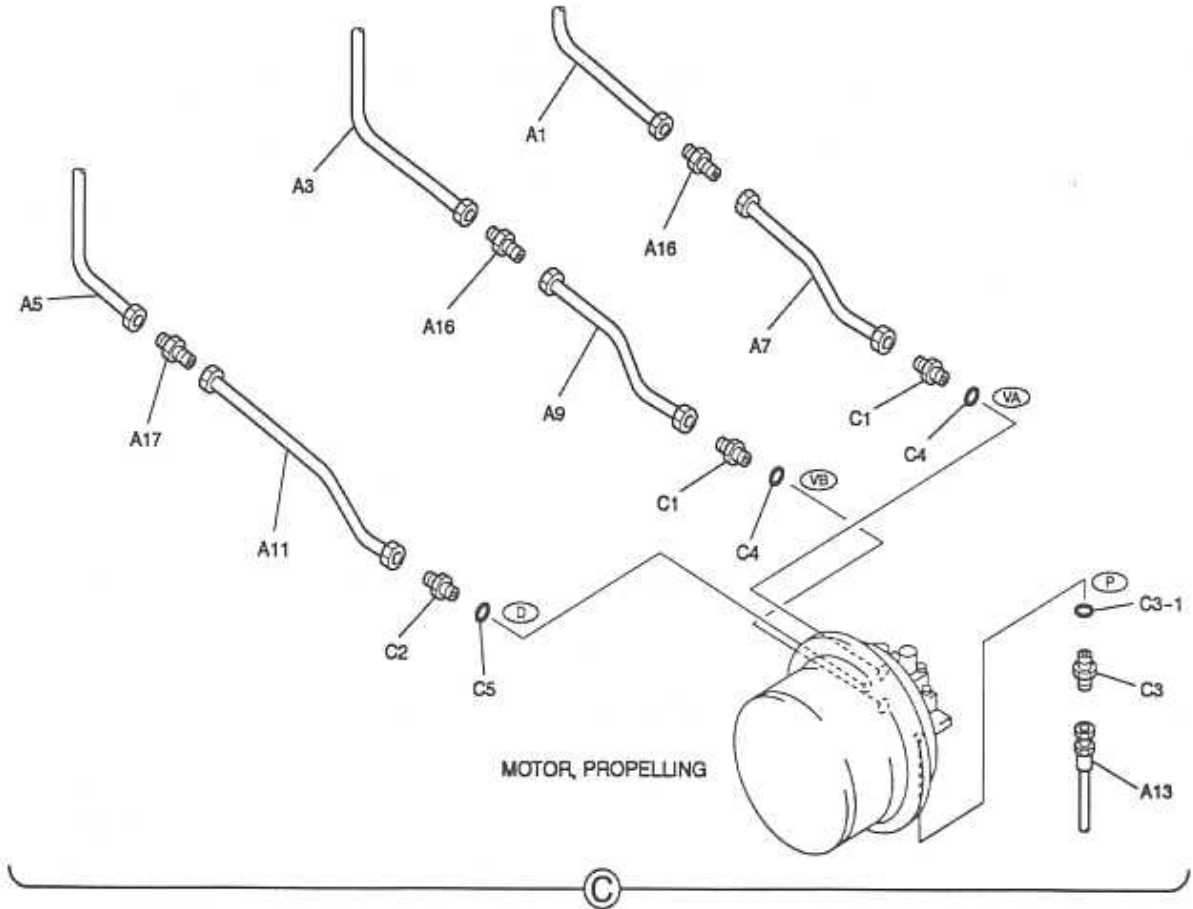
ITEM	PART NUMBER	DESCRIPTION	QTY	
	YN60D00011F8	SHOE ASSY		
1	YN62D00007F2	TRACK LINK ASSY	1	
1-1	2424J170D1	TRACK LINK, R.H	49	
1-2	2424J170D2	TRACK LINK, L.H	49	
1-3	2405P694	BUSHING, TRACK	48	
1-4	2419P3042	PIN, TRACK	48	
1-5	2405P392	BUSHING, MASTER	1	
1-6	YN62D01017P1	PIN	1	
1-7	2418T12108	COLLAR	2	
1-8	2445Z1123C2	SEAL	96	
8	2420Z1292	BOLT, SHOE (M20X58mm)	196	
11	2420Z1293	NUT (M20)	196	
13	YN60D00017P1	SHOE (600mm)	49	(24 in)
	YN60D00011F2	SHOE ASSY Consists of items 1,3,8,11	1	
3	24242N196D2	SHOE (700mm)	49	(28 in)
	YN60D00011F3	SHOE ASSY Consists of items 1,4,8,11	1	
4	2424N196D3	SHOE (800mm)	49	(32 in)
	YN60D00011F9	SHOE ASSY Consists of items 1,8,11,14	1	
14	2424N196D4	SHOE (900mm)	49	(36 in)
	YN60D00011FA	SHOE ASSY (H&W) Consists of items 1,8,11, 15, & 16	1	
15	2420T7458	BOLT (M20X60mm)	196	
16	YN60D00024P1	SHOE (700mm)	49	(28 in)

LOWER HYDRAULIC LINES



LOWER HYDRAULIC LINES

YQ08U0969-

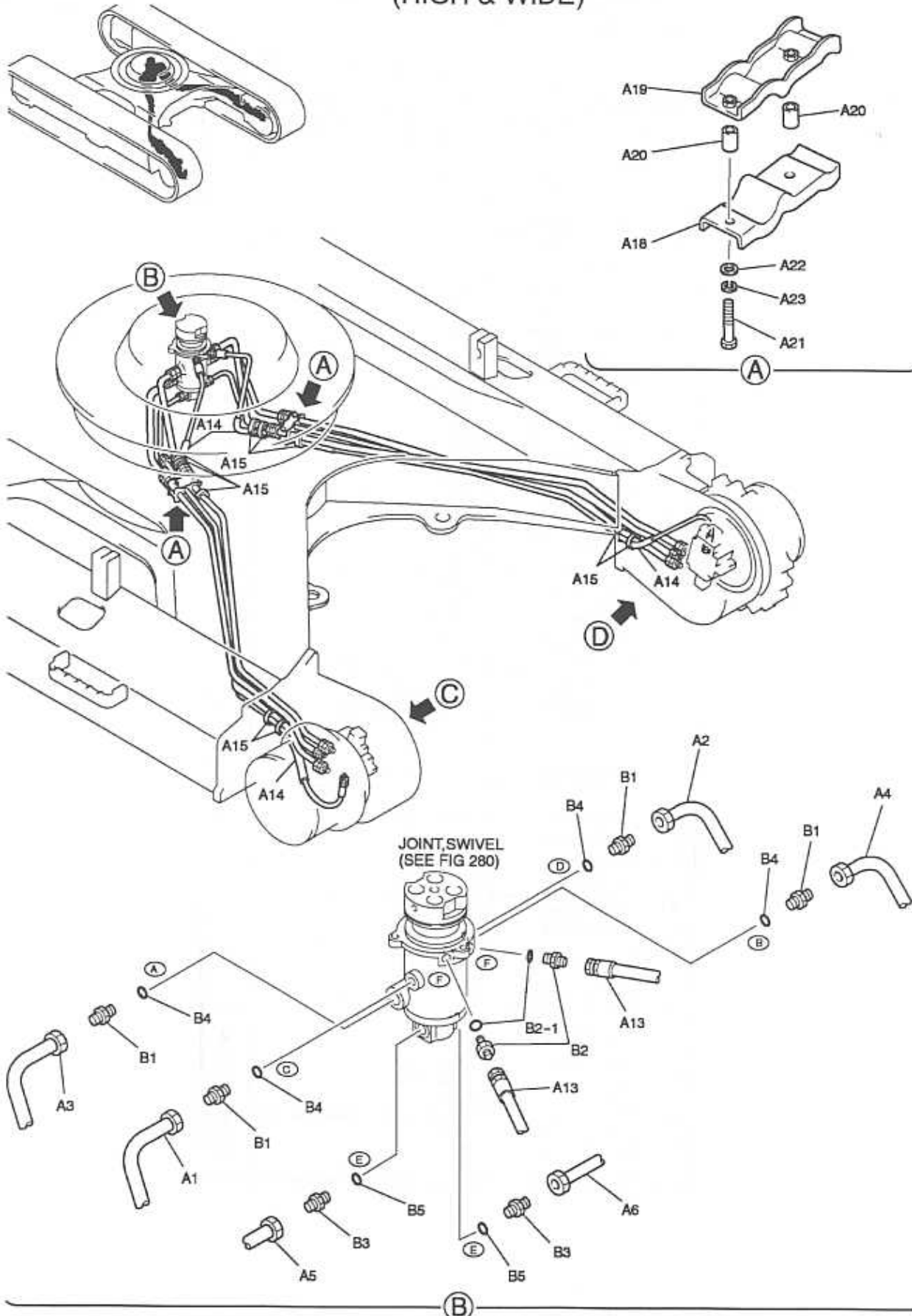


LOWER HYDRAULIC LINES

YQ08U0969~

ITEM	PART NUMBER	DESCRIPTION	QTY
		HYDRAULIC LINES, LOWER	
	YN02H00053F1	HYD LINES, LOW	
A1	YN02H01408P1	TUBE	1
A2	YN02H01409P1	TUBE	1
A3	YN02H01410P1	TUBE	1
A4	YN02H01411P1	TUBE	1
A5	YN02H01412P1	TUBE	1
A6	YN02H01413P1	TUBE	1
A7	YN02H01414P1	TUBE	1
A8	YN02H01415P1	TUBE	1
A9	YN02H01416P1	TUBE	1
A10	YN02H01417P1	TUBE	1
A11	YN02H01418P1	TUBE	1
A12	YN02H01419P1	TUBE	1
A13	ZX23M04260	HOSE ASSY (PF1/4; L=2600mm)	2
A14	2420Z1224D4	HOSE(L=300mm)	4
A15	PY01P01043D3	CLIP	10
A16	ZA23B28000	CONNECTOR	4
A17	ZA23B18000	CONNECTOR	2
A18	YN02H01187P1	CLAMP	2
A19	YN02H01188P1	CLAMP	2
A20	2418T24324D2	SPACER	4
A21	ZS18C08040	CAPSCREW (M8X40mm)	4
A22	ZW16X08000	WASHER (M8)	4
A23	ZW26X08000	LOCK WASHER (M8)	4
	YN19H00039F1	HYD LINES, SWIVEL	
B1	ZA23F28016	CONNECTOR	4
B2	ZH22X04000	CONNECTOR	2
B2-1	ZD12P01100	O-RING	1
B3	ZA23F18008	CONNECTOR	2
B4	ZD12P02900	O-RING	4
B5	ZD12P01800	O-RING	2
	YN12H0006F1	HYD LINES, TRAVEL	
C1	ZA23F28016	CONNECTOR	4
C2	ZA23F18008	CONNECTOR	2
C3	ZH22X04000	CONNECTOR	2
C3-1	ZD12P01100	O-RING	1
C4	ZD12P02900	O-RING	4
C5	ZD12P01800	O-RING	2

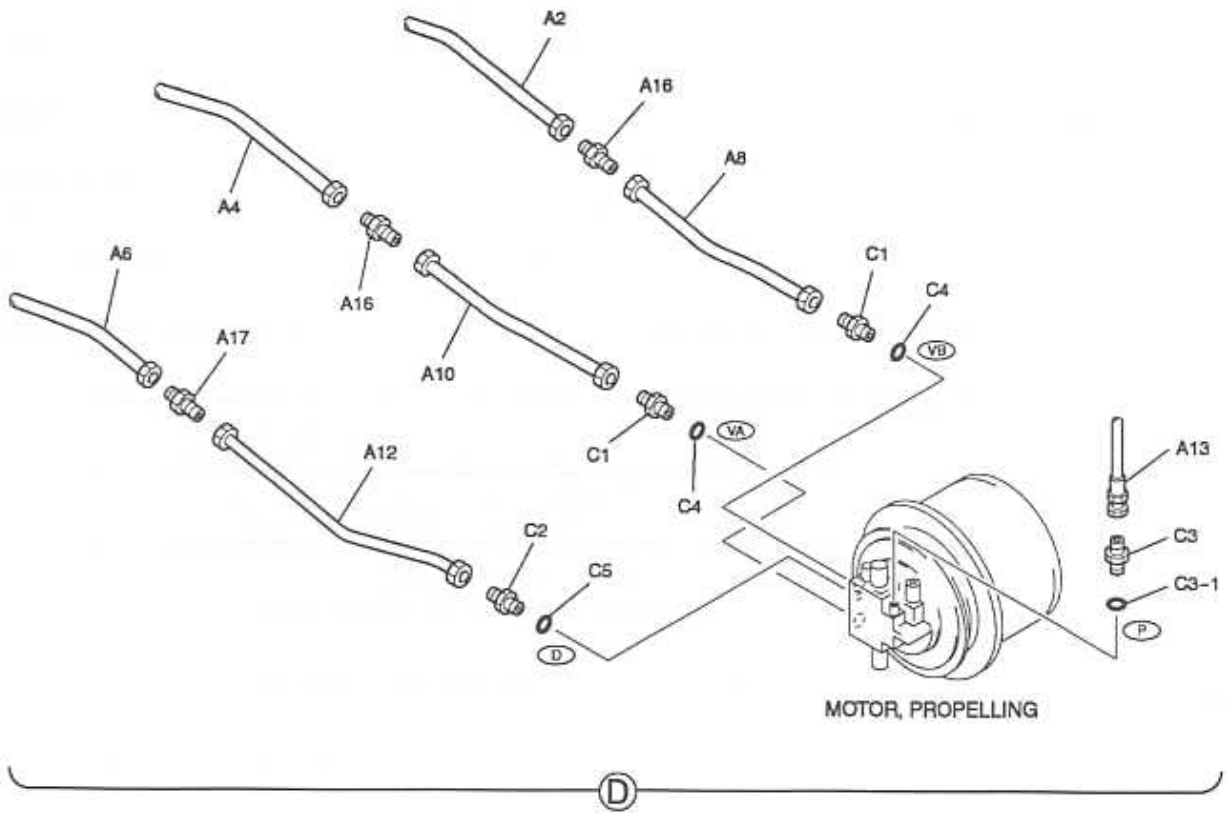
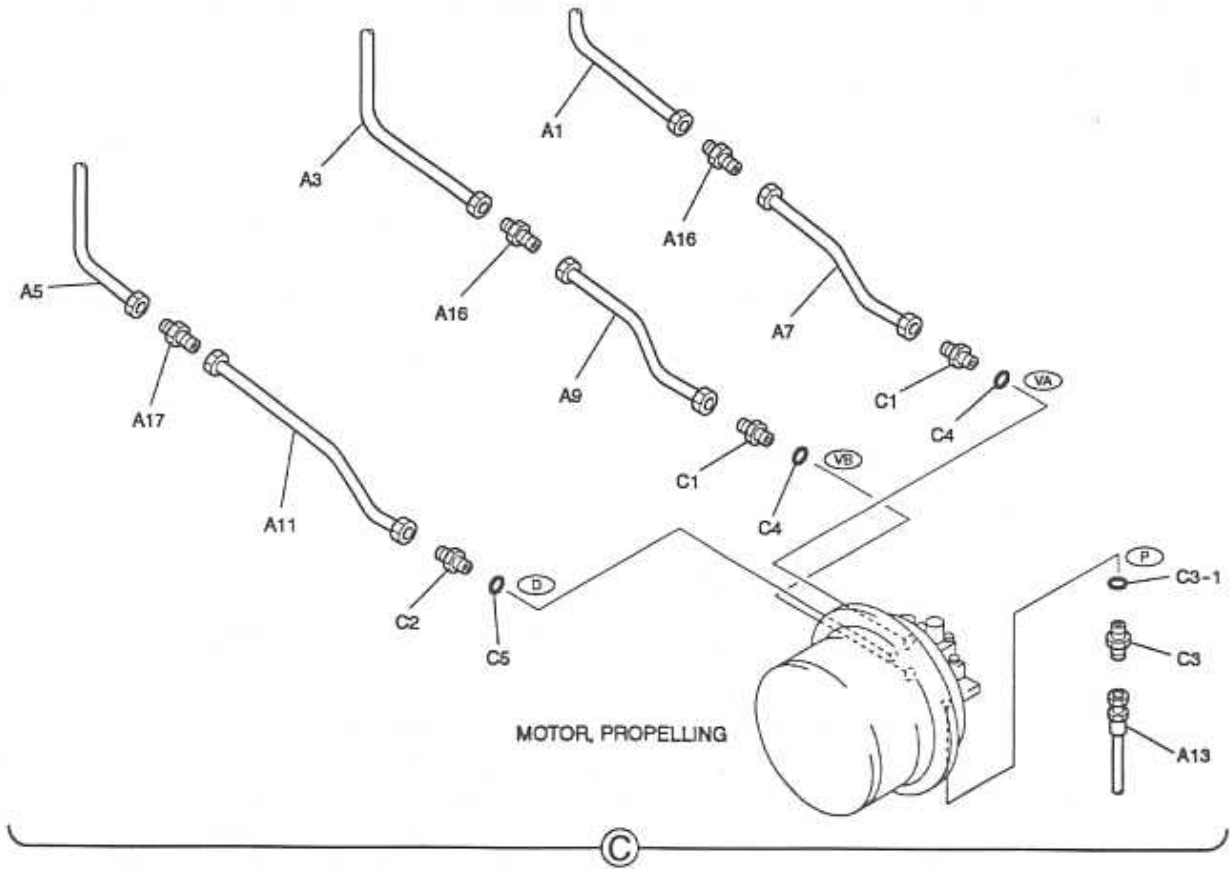
LOWER HYDRAULIC LINES (HIGH & WIDE)



JOINT, SWIVEL
(SEE FIG 280)

LOWER HYDRAULIC LINES (HIGH & WIDE)

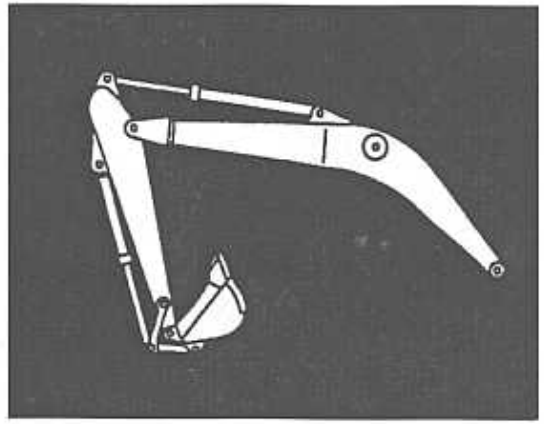
YQ08U0969-



LOWER HYDRAULIC LINES (HIGH & WIDE)

YQ08U0969~

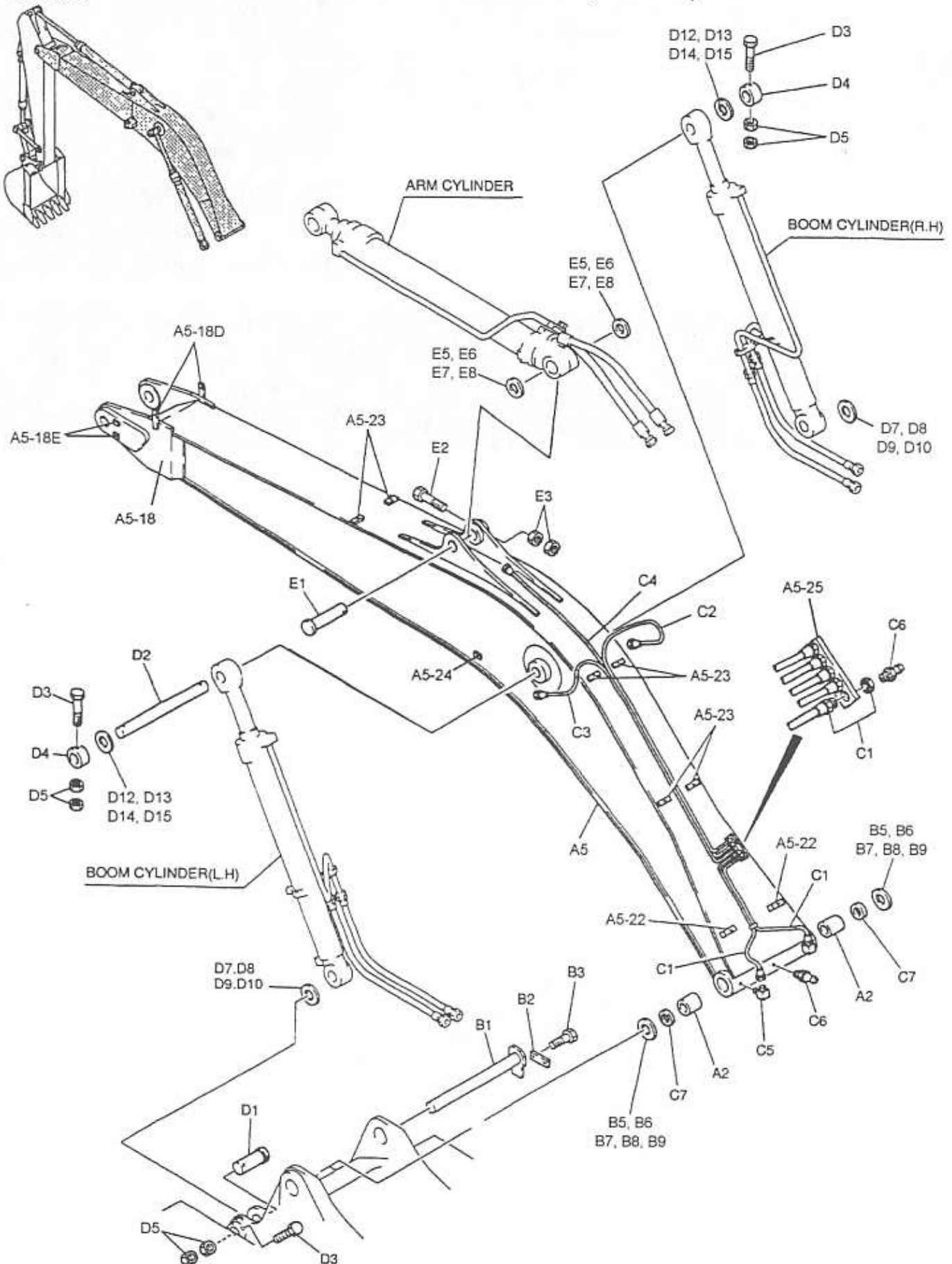
ITEM	PART NUMBER	DESCRIPTION	QTY
		HYDRAULIC LINES, LOWER (High & Wide)	
	YN02HU0002F1	HYD LINES, LOW (High & Wide)	
A1	YN02H01408P1	TUBE	1
A2	YN02H01409P1	TUBE	1
A3	YN02H01410P1	TUBE	1
A4	YN02H01411P1	TUBE	1
A5	YN02H01412P1	TUBE	1
A6	YN02H01413P1	TUBE	1
A7	YN02HU1080P1	TUBE	1
A8	YN02HU1081P1	TUBE	1
A9	YN02HU1082P1	TUBE	1
A10	YN02HU1083P1	TUBE	1
A11	YN02HU1084P1	TUBE	1
A12	YN02HU1085P1	TUBE	1
A13	ZX23M04300	HOSE (PF1/4;L=3000mm)	2
A14	2420Z1224D4	HOSE (L=300mm)	4
A15	PY01P01043D3	CLIP	10
A16	ZA23B28000	CONNECTOR	4
A17	ZA23B18000	CONNECTOR	2
A18	YN02H01187P1	CLAMP	2
A19	YN02H01188P1	CLAMP	2
A20	2418T24324D2	SPACER	4
A21	ZS18C08040	CAPSCREW (M8X40mm)	4
A22	ZW16X08000	WASHER (M8)	4
A23	ZW26X08000	LOCK WASHER (M8)	4
	YN19H00039F1	HYD LINES, SWIVEL	
B1	ZA23F28016	CONNECTOR	4
B2	ZH22X04000	CONNECTOR	2
B2-1	ZD12P01100	O-RING	1
B3	ZA23F18008	CONNECTOR	2
B4	ZD12P02900	O-RING	4
B5	ZD12P01800	O-RING	2
	YN12H0006F1	HYD LINES, TRAVEL	
C1	ZA23F28016	CONNECTOR	4
C2	ZA23F18008	CONNECTOR	2
C3	ZH22X04000	CONNECTOR	2
C3-1	ZD12P01100	O-RING	1
C4	ZD12P02900	O-RING	4
C5	ZD12P01800	O-RING	2



ATTACHMENTS

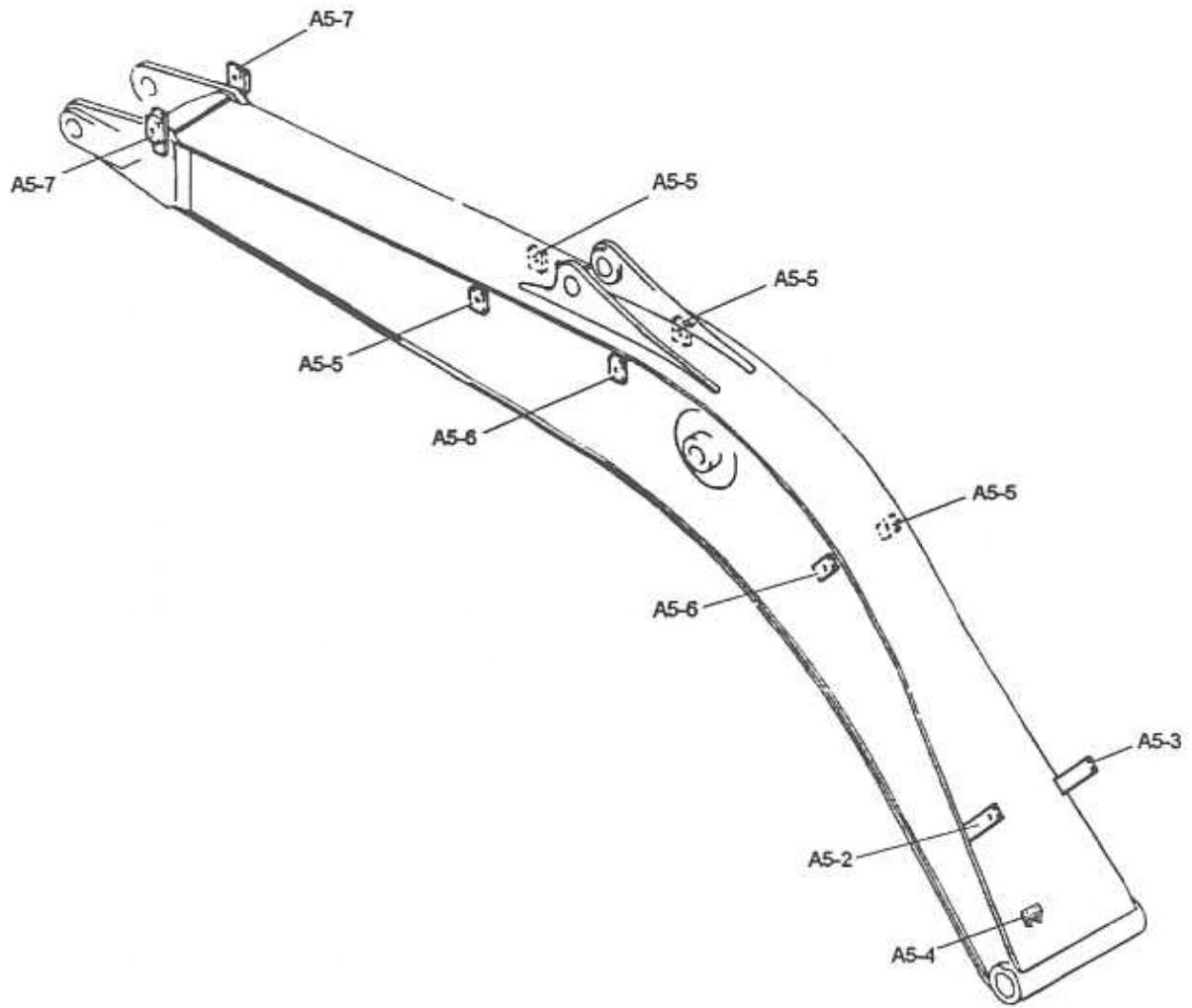
YQ08U0969-

BOOM ASSEMBLY 5.65M (18ft 6in)



BOOM ASSEMBLY 5.65M (18ft 6in)

YQ08U0969-

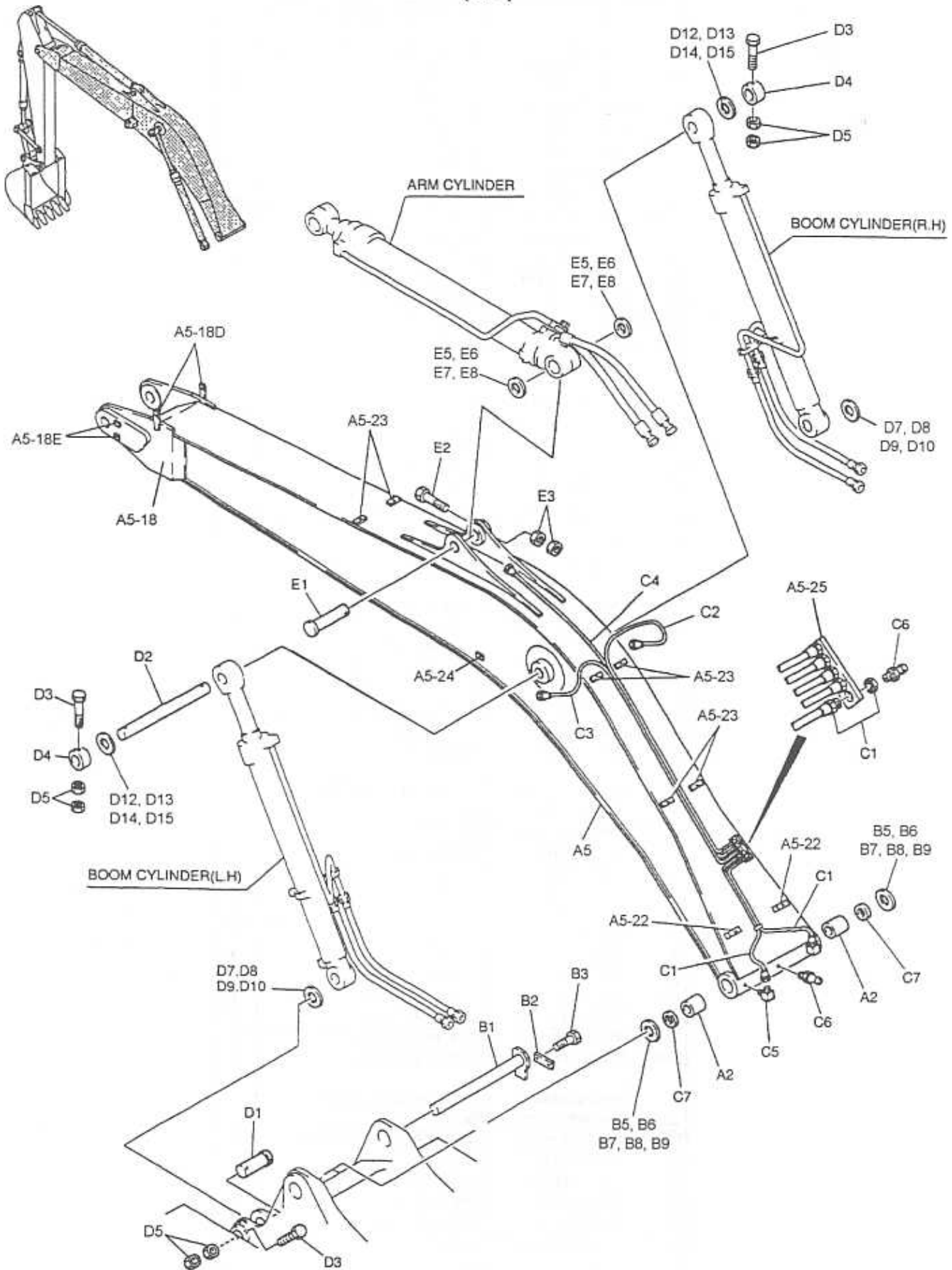


BOOM ASSEMBLY 5.65M (18ft 6in)

YQ08U0969-

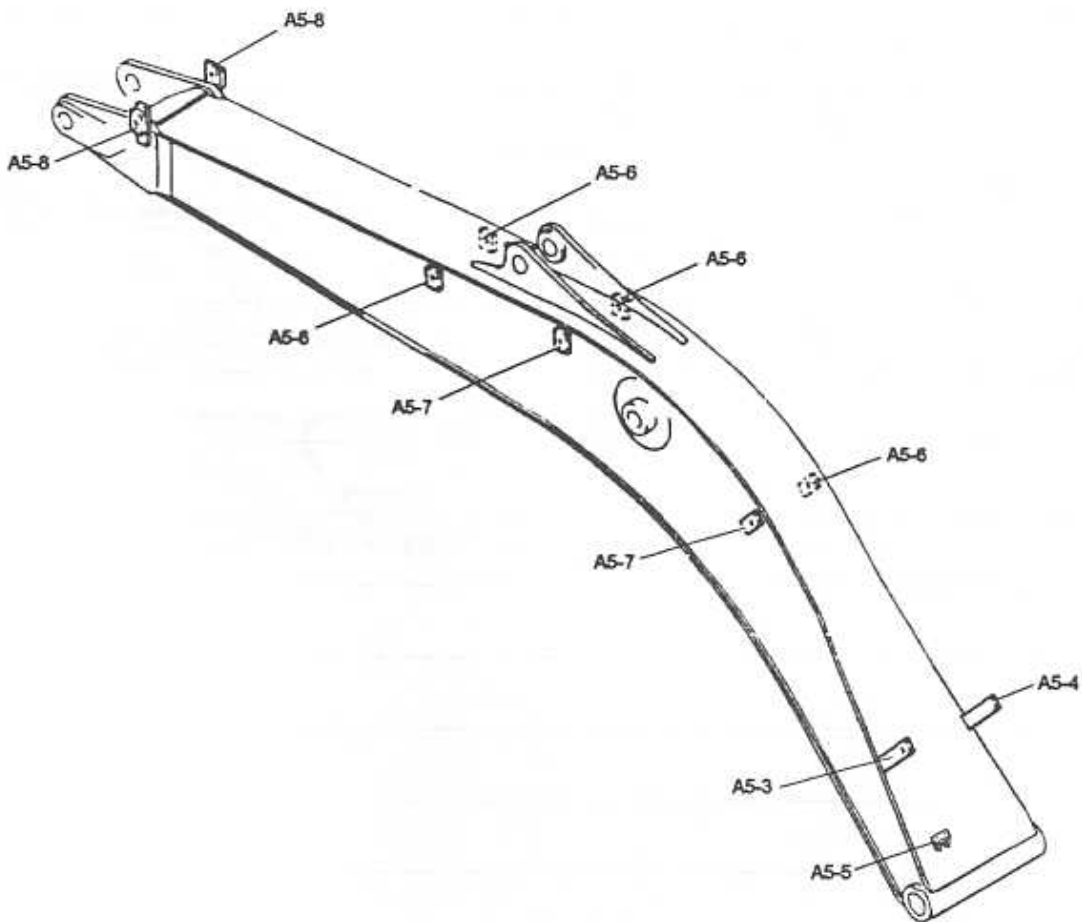
ITEM	PART NUMBER	DESCRIPTION	QTY
		BOOM ASSY 5.65 M (18FT. 6in.)	
A2	YN02B00296F4	BOOM ASSY 5.65M	
A5	YN02B01407P1 (N/A)	BUSHING BOOM, HOE	2 1
A5-2	YN02B01402P1	BRACKET	1
A5-3	YN02B01403P1	BRACKET	1
A5-4	YN02B01418P1	BRACKET	1
A5-5	YN02B01206P1	BLOCK, TAPPED	4
A5-6	YN02B01207P1	BLOCK, TAPPED	2
A5-7	YN02B01205P1	BLOCK, TAPPED	2
A5-18	YF02B01010P1	BRACKET	1
A5-18D	YF02B01009P1	BLOCK, TAPPED	2
A5-18E	YN02B01087P1	BLOCK, TAPPED	2
A5-22	2416T22607	BLOCK, TAPPED	2
A5-23	2416T21120D2	BLOCK, TAPPED	6
A5-24	2416T9878	BLOCK, TAPPED	2
A5-25	2418T22409	PLATE	1
	YN02B00242F1	BOOM INSTL	
B1	YN02B01468P1	PIN	1
B2	2418T12469	PLATE	1
B3	ZS18C14030	CAPSCREW (M14X30mm)	2
B5	B16T0442D53	SHIM, t0.5 (92 i.d.)	1
B6	B16T0442D40	SHIM, t0.9 (92 i.d.)	1
B7	B16T0442D14	SHIM, t1.6 (92 i.d.)	1
B8	B16T0442D15	SHIM, 2.3 (92 i.d.)	1
B9	YN02B01414D1	SHIM, t2.0 (92 i.d.)	2
	YN02B00139F1	BOOM GROUP	
C1	2444R1117D092	HOSE (PT1/4-PF1/4)	2
C2	2444R1117D240	HOSE (PT1/4-PF1/4)	1
C3	2444R1117D250	HOSE (PT1/4-PF1/4)	1
C4	2444R1117D302	HOSE (PT1/4-PF1/4)	1
C5	ZH32Z04000	ELBOW	2
C6	ZG91S02000	FITTING, GREASE	6
C7	2445R220D6	SEAL, DUST	2
	YN02B00243F1	CYLINDER INSTL, BOOM	
D1	YN02B01470P1	PIN	2
D2	YN02B01471P1	PIN	1
D3	HS18C16150G2	CAPSCREW (M16X150mm)	4
D4	YN02B01108P1	BOSS	2
D5	ZN18C16013	NUT (M16)	8
D7	B16T0442D14	SHIM, t1.6 (92 i.d.)	1
D8	B16T0442D15	SHIM, t2.3 (92 i.d.)	1
D9	B16T0442D53	SHIM, t0.5 (92 i.d.)	1
D10	B16T0442D40	SHIM, t0.9 (92 i.d.)	1
D12	YN02B01109D1	SHIM, t0.8 (87 i.d.)	1
D13	YN02B01109D2	SHIM, t0.9 (87 i.d.)	1
D14	YN02B01109D4	SHIM, t1.6 (87 i.d.)	1
D15	YN02B01417D1	SHIM, t2.0 (87 i.d.)	2
	YN02B00244F1	CYLINDER INSTL, ARM	
E1	YN02B01466P1	PIN	1
E2	HS18C16150G2	CAPSCREW (M16X150mm)	1
E3	ZN18C16013	NUT (M16)	2
E5	B16T0442D78	SHIM, t0.5 (87 i.d.)	1
E6	B16T0442D77	SHIM, t0.9 (87 i.d.)	1
E7	B16T0442D62	SHIM, t1.6 (87 i.d.)	1
E8	YN02B01417D1	SHIM, t2.0 (87 i.d.)	2

BOOM ASSEMBLY 5.65M (18ft 6in) (HD)



BOOM ASSEMBLY 5.65M (18ft 6in) (HD)

YQ08U0969~

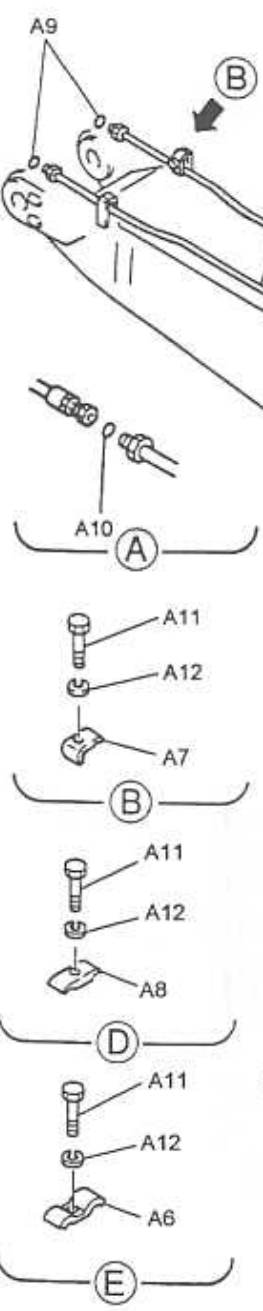
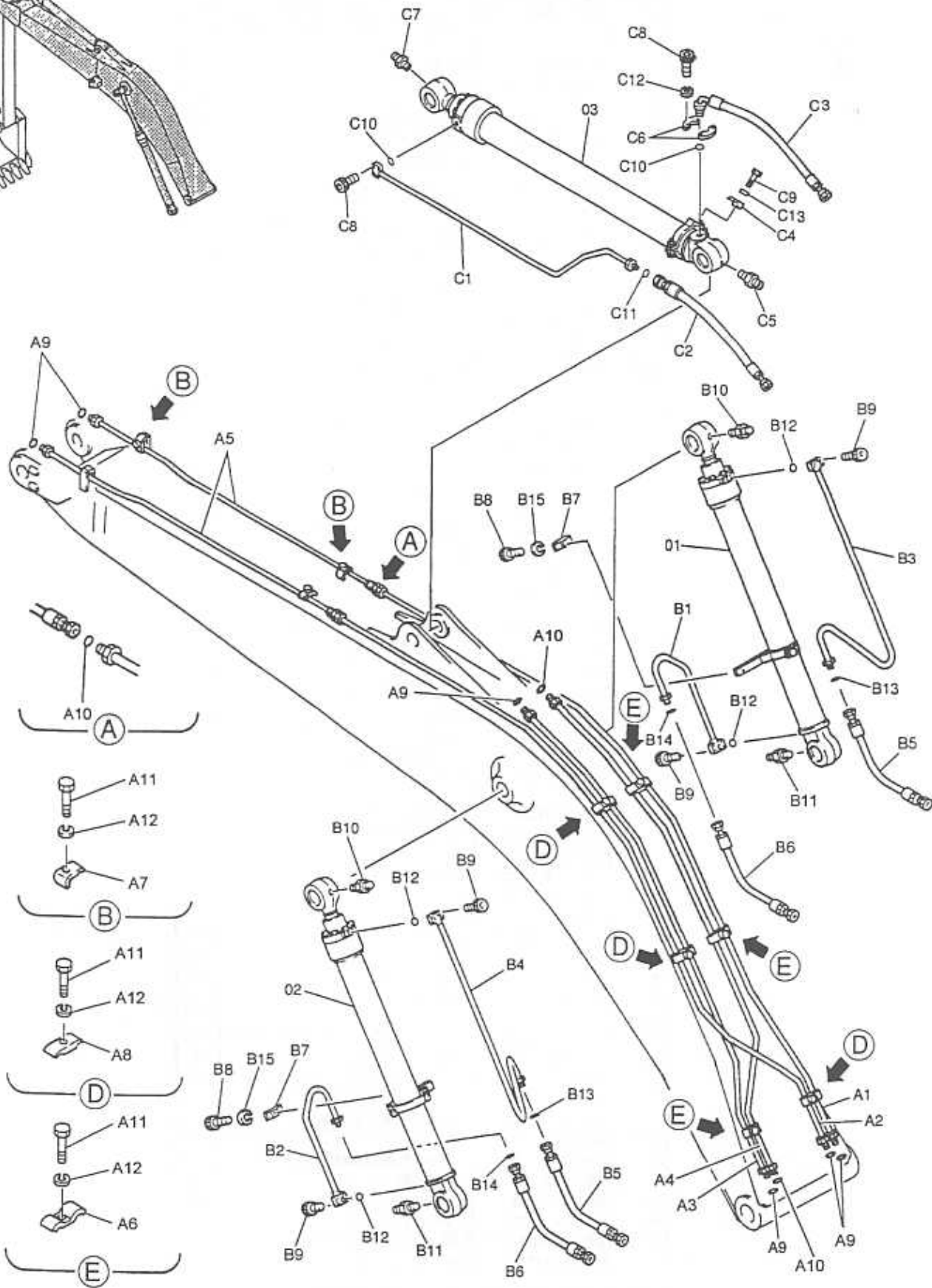
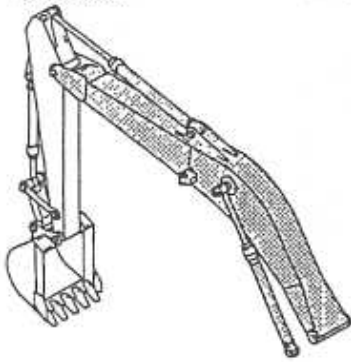


BOOM ASSEMBLY 5.65M (18ft 6in) (HD)

YQ08U0969-

ITEM	PART NUMBER	DESCRIPTION	QTY
		BOOM ASSY HD 5.65 M (18FT. 6in.)	
A2	YN02B00275F4	BOOM ASSY HD 5.65M	
A5	YN02B01407P1	BUSHING	2
A5	(N/A)	BOOM, HOE	1
A5-2	2416T9878	BLOCK, TAPPED	1
A5-3	YN02B0102P1	BRACKET	1
A5-4	YN02B01403P1	BRACKET	1
A5-5	YN02B01418P1	BRACKET	1
A5-6	YN02B01406P1	BLOCK, TAPPED	4
A5-7	YN02B01207P1	BLOCK, TAPPED	2
A5-8	YN02B01205P1	BLOCK, TAPPED	2
A5-18	YF02B01010P1	BRACKET	1
A5-18D	YF02B01009P1	BLOCK, TAPPED	2
A5-18E	YN02B01087P1	BLOCK, TAPPED	2
A5-22	2416T22607	BLOCK, TAPPED	2
A5-23	2416T21120D2	BLOCK, TAPPED	6
A5-24	2416T9878	BLOCK, TAPPED	2
A5-25	2418T22409	PLATE	1
B1	YN02B00242F1	BOOM INSTL	
B2	YN02B01468P1	PIN	1
B2	2418T12469	PLATE	1
B3	ZS18C14030	CAPSCREW (M14X30mm)	2
B5	B16T0442D53	SHIM, t0.5 (92 i.d.)	1
B6	B16T0442D40	SHIM, t0.9 (92 i.d.)	1
B7	B16T0442D14	SHIM, t1.6 (92 i.d.)	1
B8	B16T0442D15	SHIM, 2.3 (92 i.d.)	1
B9	YN02B01414D1	SHIM, t2.0 (92 i.d.)	2
C1	YN02B00139F1	BOOM GROUP	
C2	2444R1117D092	HOSE (PT1/4-PF1/4)	2
C2	2444R1117D240	HOSE (PT1/4-PF1/4)	1
C3	2444R1117D250	HOSE (PT1/4-PF1/4)	1
C4	2444R1117D302	HOSE (PT1/4-PF1/4)	1
C5	ZH32Z04000	ELBOW	2
C6	ZG91S02000	FITTING, GREASE	6
C7	2445R220D6	SEAL, DUST	2
	YN02B00243F1	CYLINDER INSTL, BOOM	
D1	YN02B01470P1	PIN	2
D2	YN02B01471P1	PIN	1
D3	HS18C16150G2	CAPSCREW (M16X150mm)	4
D4	YN02B01108P1	BOSS	2
D5	ZN18C16013	NUT (M16)	8
D7	B16T0442D14	SHIM, t1.6 (92 i.d.)	1
D8	B16T0442D15	SHIM, t2.3 (92 i.d.)	1
D9	B16T0442D53	SHIM, t0.5 (92 i.d.)	1
D10	B16T0442D40	SHIM, t0.9 (92 i.d.)	1
D12	YN02B01109D1	SHIM, t0.8 (87 i.d.)	1
D13	YN02B01109D2	SHIM, t0.9 (87 i.d.)	1
D14	YN02B01109D4	SHIM, t1.6 (87 i.d.)	1
D15	YN02B01417D1	SHIM, t2.0 (87 i.d.)	2
	YN02B00244F1	CYLINDER INSTL, ARM	
E1	YN02B01466P1	PIN	1
E2	HS18C16150G2	CAPSCREW (M16X150mm)	1
E3	ZN18C16013	NUT (M16)	2
E5	B16T0442D78	SHIM, t0.5 (87 i.d.)	1
E6	B16T0442D77	SHIM, t0.9 (87 i.d.)	1
E7	B16T0442D62	SHIM, t1.6 (87 i.d.)	1
E8	YN02B01417D1	SHIM, t2.0 (87 i.d.)	2

BOOM HYDRAULIC LINES 5.65M (18ft 6in)

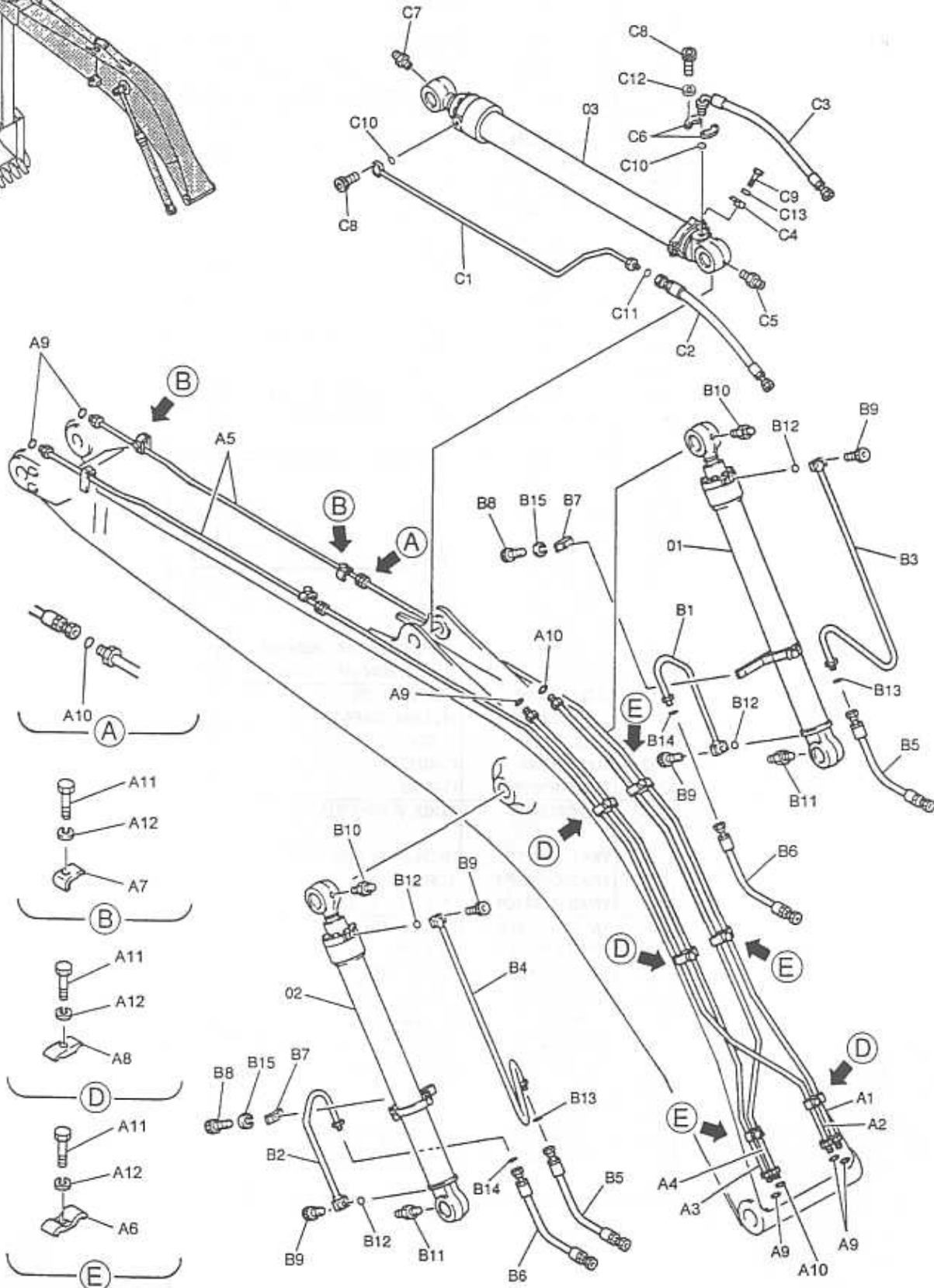
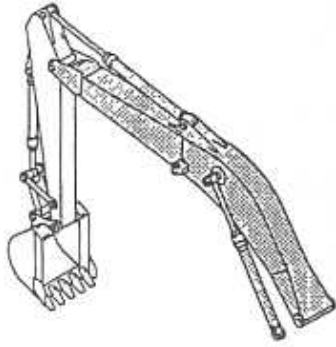


BOOM HYDRAULIC LINES 5.65M (18ft 6in)

YQ08U0969-

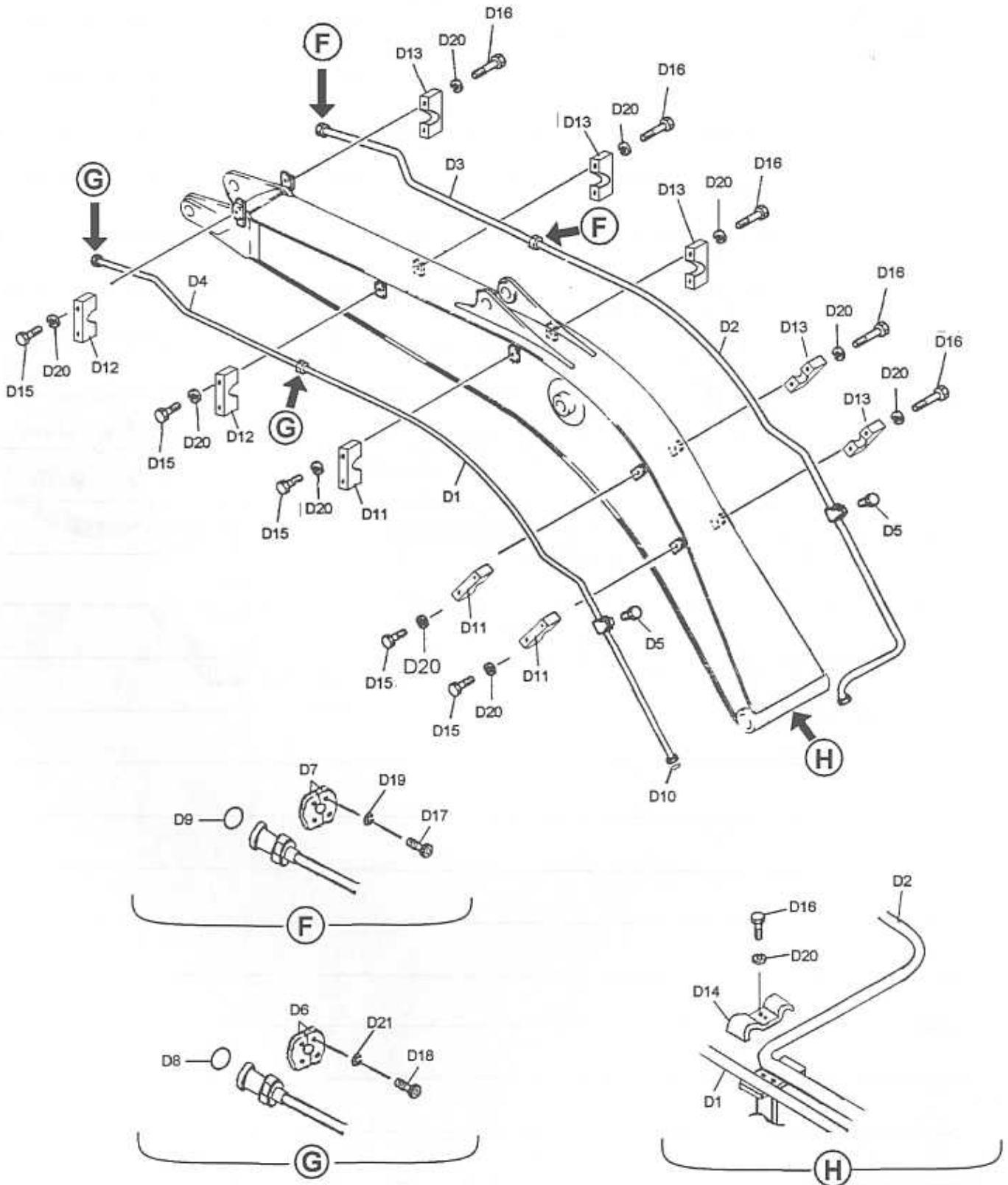
ITEM	PART NUMBER	DESCRIPTION	QTY	
		HYD LINES, BOOM 5.6M		
01	YN01V00103F2	CYLINDER ASSY, BOOM (RH)	1	See CPM
02	YN01V00104F2	CYLINDER ASSY, BOOM (LH)	1	See CPM
03	YN01V00105F2	CYLINDER ASSY, ARM	1	See CPM
A1	YN42H00228F1	HYD LINES, BOOM		
A1	YN42H01957P1	TUBE	1	
A2	YN42H01958P1	TUBE	1	
A3	YN42H01959P1	TUBE	1	
A4	YN42H01960P1	TUBE	1	
A5	YN42H01961P1	TUBE	2	
A6	2432T2434	CLAMP	3	
A7	ZC26X28014	CLAMP	4	
A8	ZC36X28014	CLAMP	3	
A9	ZD12A01800	O-RING	6	
A10	ZD12A02100	O-RING	4	
A11	ZS18C12055	CAPSCREW (M12X55mm)	10	
A12	ZW26X12000	LOCK WASHER (M12)	10	
B1	YN42H00231F1	HYD LINES, BOOM CYL		
B1	YN42H01443P2	TUBE	1	
B2	YN42H01444P2	TUBE	1	
B3	YN42H01967P1	TUBE	1	
B4	YN42H01963P1	TUBE	1	
B5	ZX20H10078	HOSE	2	
B6	ZX20H12080	HOSE	2	
B7	2432T2242	CLAMP	2	
B8	ZS18C12050	CAPSCREW (M12X50mm)	2	
B9	ZS28C10030	CAPSCREW (M10X30mm)	16	
B10	ZH22Z04000	CONNECTOR	2	
B11	ZG91S02000	FITTING, GREASE	2	
B12	ZD12P02600	O-RING	4	
B13	ZD12A01600	O-RING	2	
B14	ZD12A01800	O-RING	2	
B15	ZW26X12000	LOCK WASHER (M12)	2	
C1	YN42H00225F1	HYD LINES, ARM CYL		
C1	YN42H01951P1	TUBE	1	
C2	YN42H01934D1	HOSE (L=900mm)	1	
C3	YN02B01030D1	HOSE (L=900mm)	1	
C4	YN43H01097P1	CLAMP	1	
C5	ZH22Z04000	CONNECTOR	1	
C6	ZE13X16000	CLAMP, HALF	2	
C7	ZG91S02000	FITTING, GREASE	1	
C8	ZS28C12040	CAPSCREW (M12X40mm)	8	
C9	ZS18C12055	CAPSCREW (M12X55mm)	1	
C10	ZD12P03400	O-RING	2	
C11	ZD12A01800	O-RING	1	
C12	ZW26K12000	LOCK WASHER (M12)	4	
C13	ZW26X12000	LOCK WASHER (M12)	1	

BOOM HYDRAULIC LINES 5.65M (18ft 6in) (NIBBLER & BREAKER)



BOOM HYDRAULIC LINES 5.65M (18ft 6in) (NIBBLER & BREAKER)

YQ08U0969-



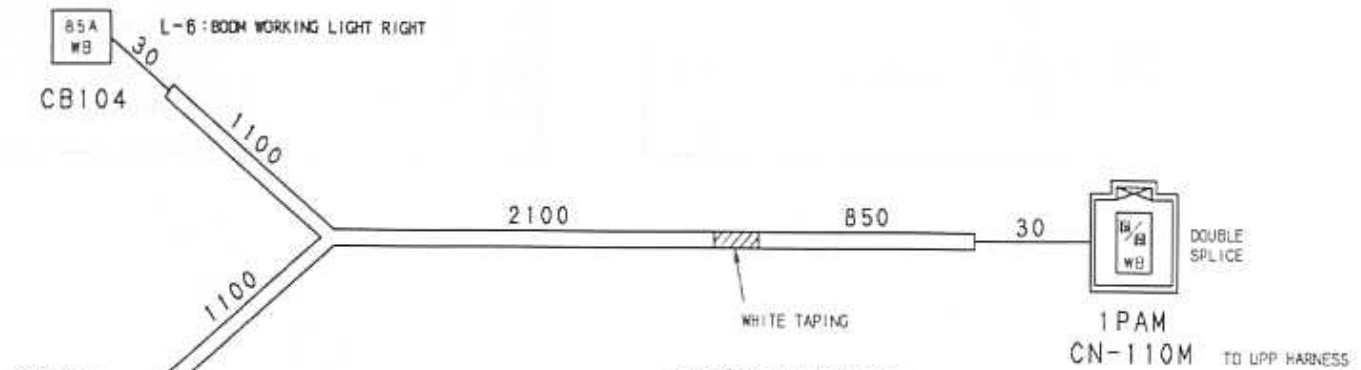
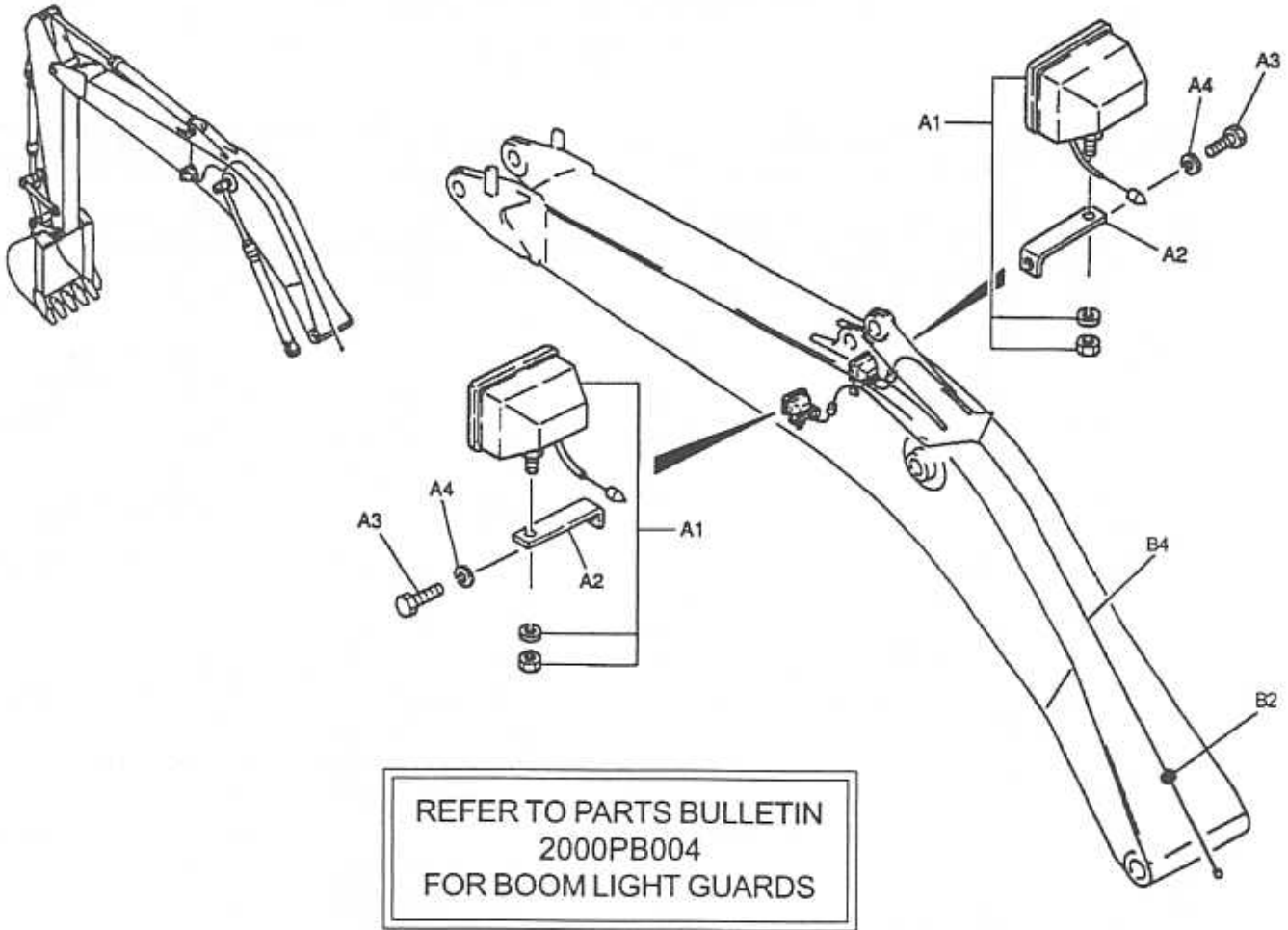
BOOM HYDRAULIC LINES 5.65M (18ft 6in) (NIBBLER & BREAKER)

YQ08U0969~

ITEM	PART NUMBER	DESCRIPTION	QTY
		HYD LINES, BOOM 5.6M (N&B)	
01	YN01B00103F2	CYLINDER ASSY, BOOM (RH)	1
02	YN01B00104F2	CYLINDER ASSY, BOOM (LH)	1
03	YN01B00105F2	CYLINDER ASSY, ARM	1
			See CPM
			See CPM
			See CPM
A1	YN42H00228F1	HYD LINES, BOOM	
A2	YN42H01957P1	TUBE	1
A3	YN42H01958P1	TUBE	1
A4	YN42H01959P1	TUBE	1
A5	YN42H01960P1	TUBE	1
A6	YN42H01961P1	TUBE	2
A7	2432T2434	CLAMP	3
A8	ZC26X28014	CLAMP	4
A9	ZC36X28014	CLAMP	3
A10	ZD12A01800	O-RING	6
A11	ZD12A02100	O-RING	4
A12	ZS18C12055	CAPSCREW (M12X55mm)	10
A13	ZW26X12000	LOCK WASHER (M12)	10
B1	YN42H00231F1	HYD LINES, BOOM CYL	
B2	YN42H01443P2	TUBE	1
B3	YN42H01444P2	TUBE	1
B4	YN42H01967P1	TUBE	1
B5	YN42H01963P1	TUBE	1
B6	ZX20H10078	HOSE	2
B7	ZX20H12080	HOSE	2
B8	2432T2242	CLAMP	2
B9	ZS18C12050	CAPSCREW (M12X50mm)	2
B10	ZS28C10030	CAPSCREW (M10X30mm)	16
B11	ZH22Z04000	CONNECTOR	2
B12	ZG91S02000	FITTING, GREASE	2
B13	ZD12P02600	O-RING	4
B14	ZD12A01600	O-RING	2
B15	ZD12A01800	O-RING	2
B16	ZW26X12000	LOCK WASHER (M12)	2

ITEM	PART NUMBER	DESCRIPTION	QTY
C1	YN42H00225F1	HYD LINES, ARM CYL	
C2	YN42H01951P1	TUBE	1
C3	YN42H01934D1	HOSE (L=900mm)	1
C4	YN02B01030D1	HOSE (L=900mm)	1
C5	YN43H01097P1	CLAMP	1
C6	ZH22Z04000	CONNECTOR	1
C7	ZE13X16000	CLAMP, HALF	2
C8	ZG91S02000	FITTING, GREASE	1
C9	ZS28C12040	CAPSCREW (M12X40mm)	8
C10	ZS18C12055	CAPSCREW (M12X55mm)	1
C11	ZD12P03400	O-RING	2
C12	ZD12A01800	O-RING	1
C13	ZW26K12000	LOCK WASHER (M12)	4
C14	ZW26X12000	LOCK WASHER (M12)	1
D1	YN42H00260F1	HYD LINES, BOOM (N&B)	
D2	YN42H01972P1	TUBE	1
D3	YN42H01970P1	TUBE	1
D4	YN42H01971P1	TUBE	1
D5	YN42H01348P1	TUBE	1
D6	ZE72X16000	PLUG	2
D7	ZE13X16000	CLAMP, HALF	4
D8	ZE13X20001	CLAMP, HALF	4
D9	ZD12P03400	O-RING	2
D10	ZD12P03800	O-RING	2
D11	ZD12A02100	O-RING	1
D12	2432T6122	CLAMP	3
D13	2432T5924	CLAMP	2
D14	LC42H01269P1	CLAMP	5
D15	YN42H01990P1	CLAMP	1
D16	ZS18C12060	CAPSCREW (M12X60mm)	10
D17	ZS18C12065	CAPSCREW (M12X65mm)	12
D18	ZS28C14050	CAPSCREW (M14X50mm)	8
D19	ZS28C12050	CAPSCREW (M12X50mm)	8
D20	ZW26K14000	LOCK WASHER (M14)	8
D21	ZW26X12000	LOCK WASHER (M12)	22
D22	ZW26K12000	LOCK WASHER (M12)	8

BOOM LIGHT INSTALLATION

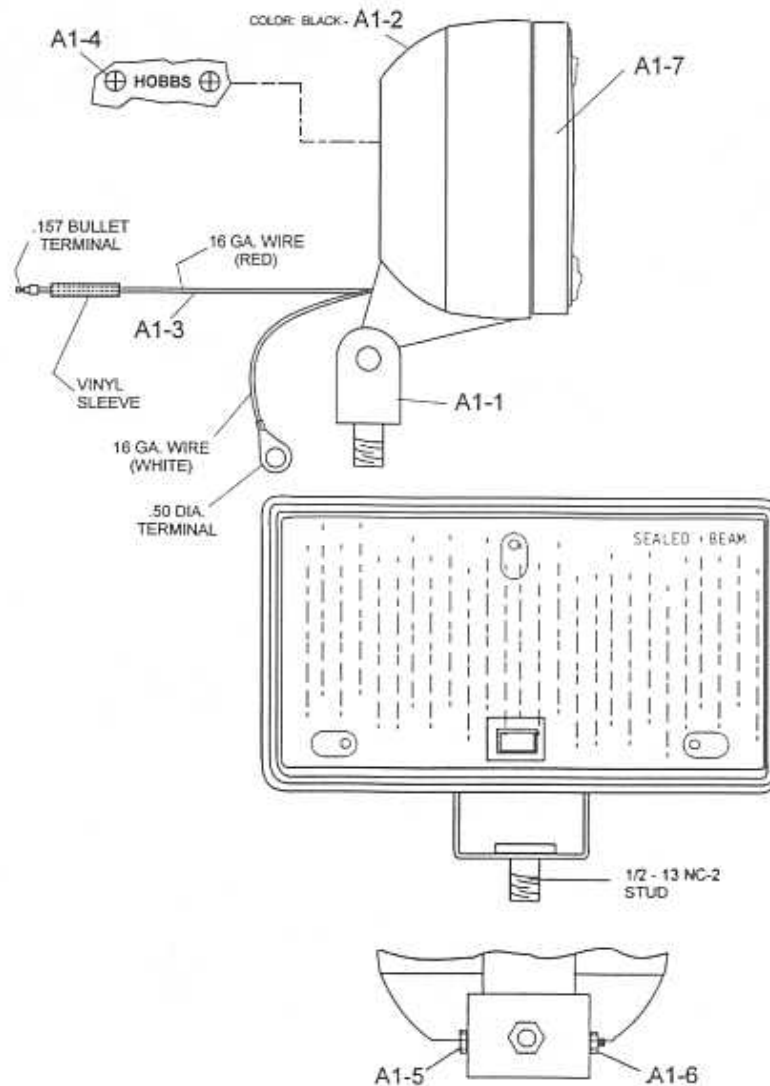


CONNECTORS SELECTION TABLE

CONNECTOR NAME (PIN NUM.)	MANUFUC.	(PART. NUMBER)					
		HOUSING	TERMINAL	HARNESS SEAL	RETAINER LOCK PLATE	SEALING PLUG	CLIP
1MA-CNA	AMP	172127-1	170340-1				
CB104	AMP	170003-5	170889-1				

WORK LIGHT INSTALLATION (HOBBS)

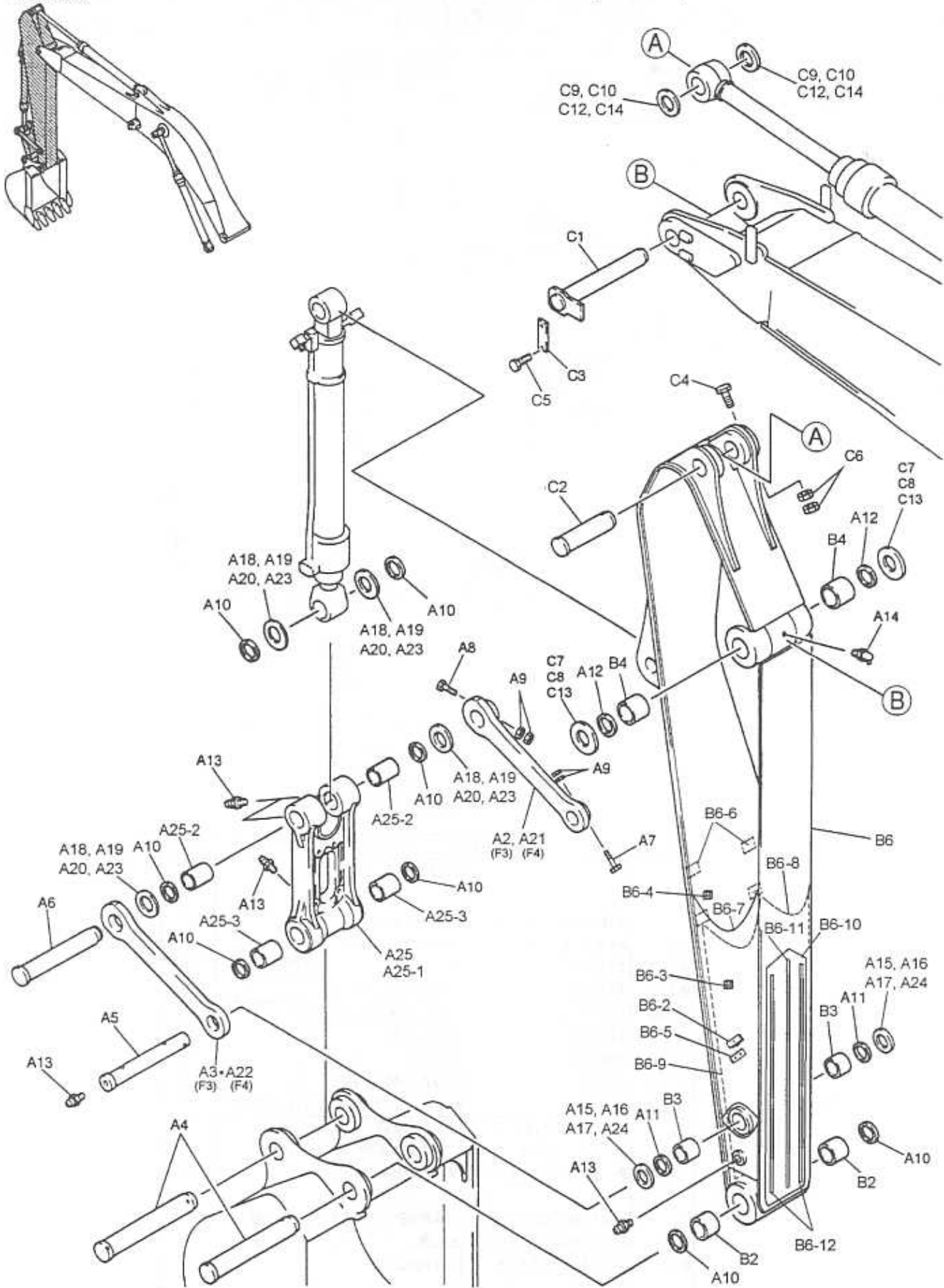
YQ08U0969-



ITEM	PART NUMBER	DESCRIPTION	QTY
		LIGHT INSTL, BOOM	
A1	YN80E00026F1	LIGHT INSTL, BOOM	2 (HOBBS)
A1-1	2456R442F1	WORK LIGHT	
A1-2	71466	BRACKET/BOLT ASSY	
A1-3	70781	HOUSING, LAMP	
A1-4	X-78710	FINAL WIRE ASSY	
A1-5	70655	SCREW	
A1-6	70830	BOLT	
A1-7	70829	NUT, 5/16" HEX	1
A1-7	72370	REFLECTOR & LENS ASSY	1
A2	2416T13056	BRACKET	2
A3	ZS18C10020	CAPSCREW (M10X20mm)	2
A4	2418R323D11	WASHER (M10)	2
B2	YN15E00008F3	HARNESS ASSY, BOOM	1
B4	PY01P01043D7	CLIP	
	YN15E01034P1	HARNESS	1

YQ08U0969-

ARM ASSEMBLY 2.94M (9ft 8in)



414-01-1

5K210LC-6E DAmc PM, REV.D 11/02

ARM ASSEMBLY 2.94M (9ft 8in)

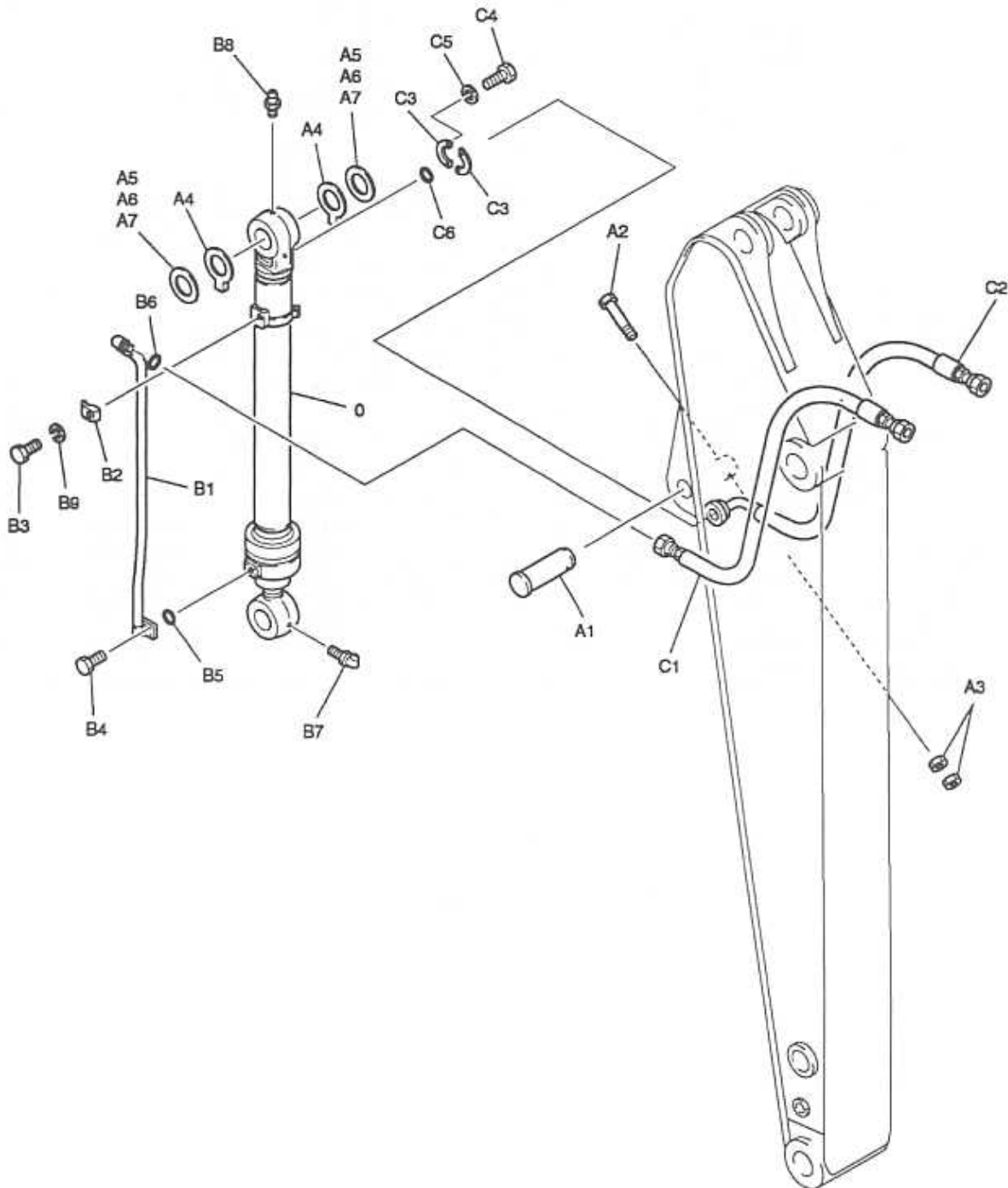
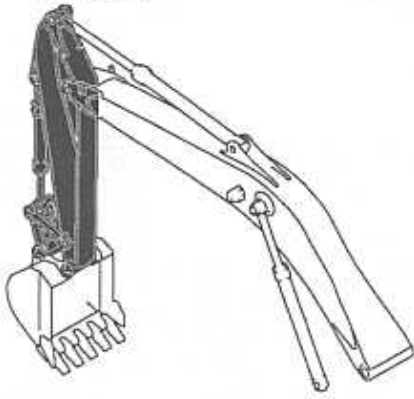
YQ08U0969-

ITEM	PART NUMBER	DESCRIPTION	QTY	
		ARM ASSY 2.94M		
	YN12B00392F3	ARM GROUP (STD)	F3	-
	YN12B00392F4	ARM GROUP (N&B)	-	F4
A2	YN12B01227P1	LINK, IDLER (R-H)	1	-
A3	YN12B01228P1	LINK, IDLER (L-H)	1	-
A4	YN12B01716P1	PIN	2	2
A5	YN12B01717P1	PIN	1	1
A6	YN12B01718P1	PIN	1	1
A7	HS18C16130G2	CAPSCREW (M16X130mm)	1	1
A8	HS18C16140G2	CAPSCREW (M16X140mm)	1	1
A9	ZN18C16013	NUT (M16)	4	4
A10	2445R220D4	SEAL, DUST	8	8
A11	2445R220D3	SEAL, DUST	2	2
A12	2445R220D6	SEAL, DUST	2	2
A13	ZG91S02000	FITTING, GREASE (PT1/8)	5	5
A14	ZG91U02000	FITTING, GREASE (PT1/8)	1	1
A15	B16T0442D57	SHIM, t0.5 (72 i.d.)	1	1
A16	B16T0442D44	SHIM, t0.9 (72 i.d.)	1	1
A17	B16T0442D2	SHIM, t1.6 (72 i.d.)	1	1
A18	YN12B01122D1	SHIM, t0.5 (82 i.d.)	2	2
A19	YN12B01122D2	SHIM, t0.9 (82 i.d.)	2	2
A20	YN12B01122D3	SHIM, t1.6 (82 i.d.)	2	2
A21	YN12B01321P1	LINK, IDLER (R-H)	-	1
A22	YN12B01322P1	LINK, IDLER (L-H)	-	1
A23	YN12B01601D1	SHIM, t2.0 (82 i.d.)	4	4
A24	YN12B01602D1	SHIM, t2.0 (72 i.d.)	2	2
A25	YN12B01622F1	LINK ASSY, BUCKET	1	1
A25-1	YN12B01623P1	LINK, BUCKET	1	1
A25-2	YN12B01599P1	BUSHING	2	2
A25-3	YN12B01596P1	BUSHING	2	2
	YN12B00524F2	ARM ASSY, OPT (N&B)	F2	-
	YN12B00524F3	ARM ASSY, STD (ROT, N&B)	-	F3
B2	YN12B01596P1	BUSHING	2	2
B3	YN12B01595P1	BUSHING	2	2
B4	YN12B01597P1	BUSHING	2	2
B5	YN12B484P2	ARM	1	-

ITEM	PART NUMBER	DESCRIPTION	QTY	
B5-1	(N/A)	ARM	1	- (not serviceable)
B5-5	YN43H01051P1	BLOCK, TAPPED	2	-
B5-6	LC02B01024P1	BLOCK, TAPPED	4	-
B5-7	YN43H01199P1	PLATE, REINFORCEMENT	1	-
B5-8	YN43H01200P1	PLATE, REINFORCEMENT	1	-
B5-9	YN43H01009P1	PLATE, REINFORCEMENT	1	-
B5-10	YN12B01351P1	PLATE, REINFORCEMENT	1	- (Rock Guard)
B5-11	YN12B01308D1	PLATE, REINFORCEMENT	1	- (Rock Guard)
B5-12	YN12B01308D2	PLATE, REINFORCEMENT	2	- (Rock Guard)
B6	YN12B00485P2	ARM	-	1
B6-1	(N/A)	ARM	-	1 (not serviceable)
B6-2	LC12B01076P1	SUPPORT	-	2
B6-3	2416T9804	BLOCK, TAPPED	-	2
B6-4	2416T9804D4	BLOCK, TAPPED	-	2
B6-5	YN43H01051P1	BLOCK, TAPPED	-	2
B6-6	LC02B01024P1	BLOCK, TAPPED	-	4
B6-7	YN43H01199P1	PLATE, REINFORCEMENT	-	1
B6-8	YN43H01200P1	PLATE, REINFORCEMENT	-	1
B6-9	YN43H01009P1	PLATE, REINFORCEMENT	-	1
B6-10	YN12B01351P1	PLATE, REINFORCEMENT	-	1 (Rock Guard)
B6-11	YN12B01308D1	PLATE, REINFORCEMENT	-	1 (Rock Guard)
B6-12	YN12B01308D2	PLATE, REINFORCEMENT	-	2 (Rock Guard)
	YN12B00357F1	ARM INSTL		
C1	YN12B01699P1	PIN	1	1
C2	YN02B01466P1	PIN	1	1
C3	2418T12469	PLATE	1	1
C4	HS18C16150G2	CAPSCREW (M16X150mm)	1	1
C5	ZS18C14025	CAPSCREW (M14X25mm)	2	2
C6	ZN18C16013	NUT (M16)	2	2
C7	B16T0442D53	SHIM, t0.5 (92 i.d.)	1	1
C8	B16T0442D40	SHIM, t0.9 (92 i.d.)	1	1
C9	B16T0442D78	SHIM, t0.5 (87 i.d.)	1	1
C10	B16T0442D77	SHIM, t0.9 (87 i.d.)	1	1
C12	B16T0442D62	SHIM, t1.6 (87 i.d.)	1	1
C13	YN02B01414D1	SHIM, t2.0 (92 i.d.)	2	2
C14	YN02B01415D1	SHIM, t2.0 (87 i.d.)	2	2

YQ08U0969~

ARM HYDRAULIC LINES 2.94M (19ft 8in)



418-01-1

SK210LC-6E DA mc PM, REV.0 11/02

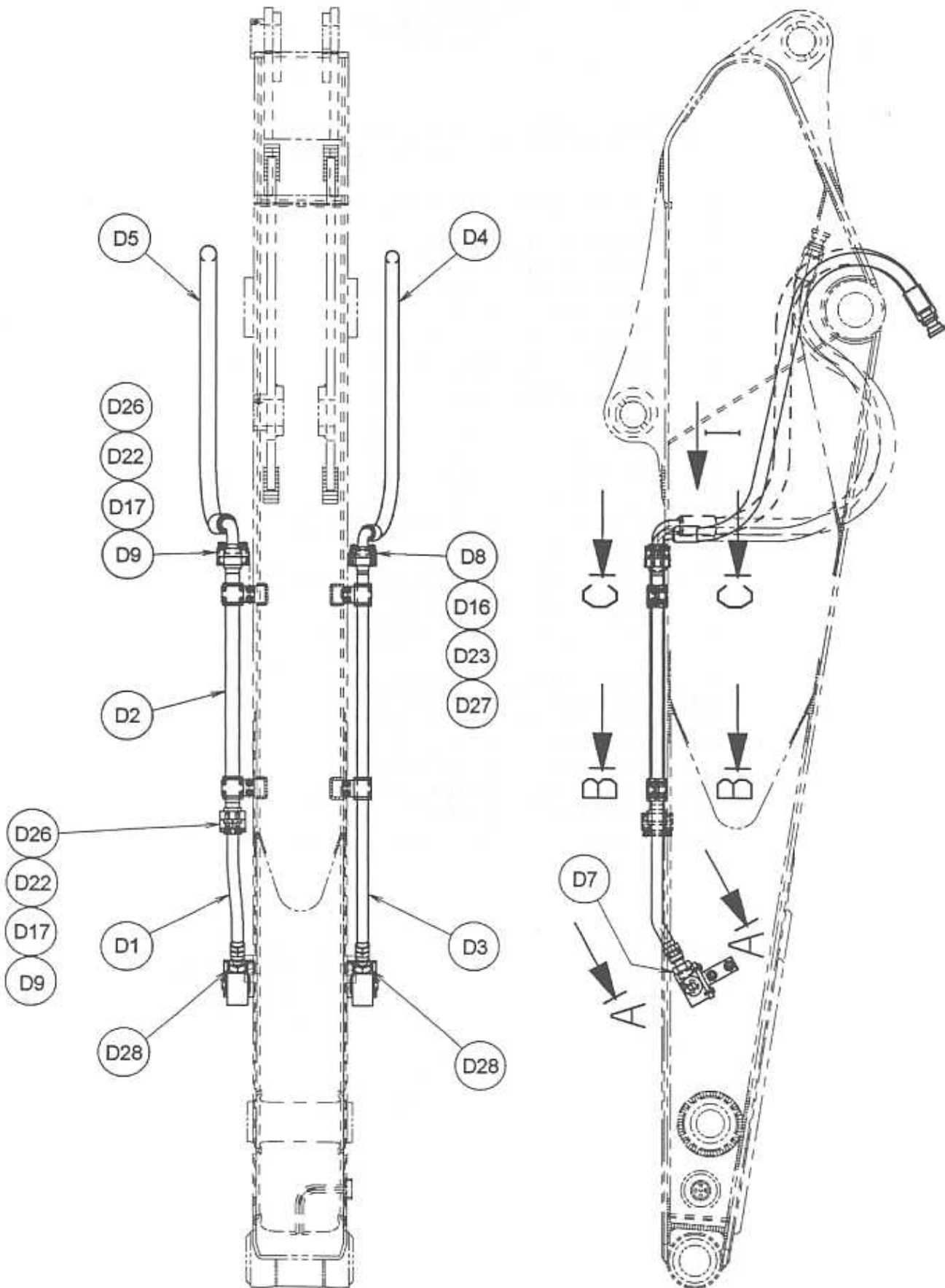
ARM HYDRAULIC LINES 2.94M (19ft 8in)

YQ08U0969-

ITEM	PART NUMBER	DESCRIPTION	QTY
		HYD LINES, ARM 2.94M	
0	YN01V00112F1	CYL. ASSY, BUCKET	1
	YN12B00358F1	CYLINDER INSTL	
A1	YN12B01707P1	PIN	1
A2	HS18C16140G2	CAPSCREW (M16X140mm)	1
A3	ZN18C16013	NUT (M16)	2
A4	YN12B01601D1	SHIM, t2.0 (82 i.d.)	2
A5	YN12B01122D1	SHIM, t0.5 (82 i.d.)	1
A6	YN12B01122D2	SHIM, t0.9 (82 i.d.)	1
A7	YN12B01122D3	SHIM, t1.6 (82 i.d.)	1
	YN43H00106F1	HYD LINES, CYLINDER	
B1	YN43H01413P1	TUBE	1
B2	YN43H01097P1	CLAMP	1
B3	ZS18C10055	CAPSCREW (M10X55mm)	1
B4	ZS28C10035	CAPSCREW (M10X35mm)	4
B5	ZD12P02600	O-RING	1
B6	ZD12A01800	O-RING	1
B7	ZG91U02000	FITTING, GREASE	1
B8	ZG91S02000	FITTING, GREASE	1
B9	ZW26X10000	LOCK WASHER (M10)	1
	YN43H00107F1	HYD LINES, ARM	
C1	ZX50H12125	HOSE (L=1250mm)	1
C2	YN43H01414D1	HOSE (L=1300mm)	1
C3	ZE13X12000	CLAMP, HALF	2
C4	ZS28C10035	CAPSCREW (M10X35mm)	4
C5	ZW26K10000	LOCK WASHER (M10)	4
C6	ZD12P02600	O-RING	1

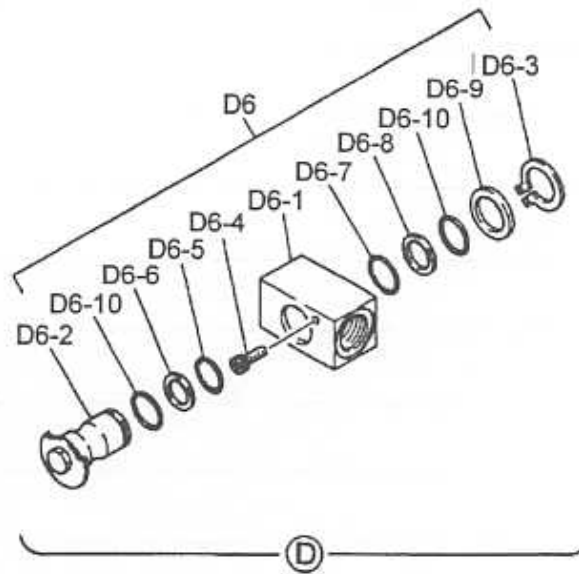
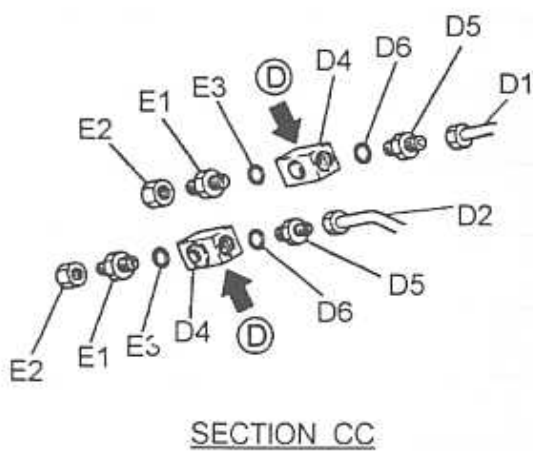
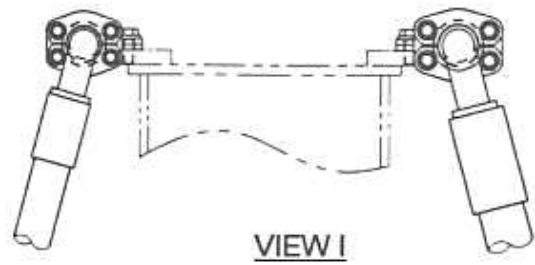
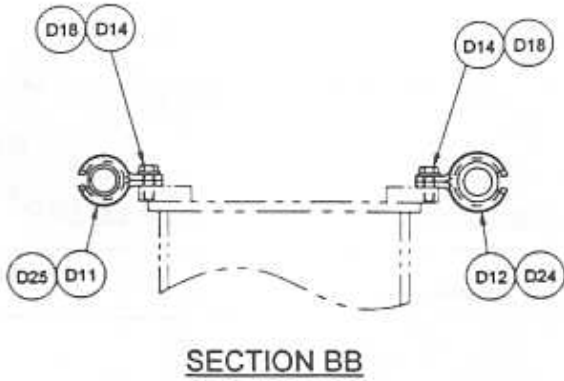
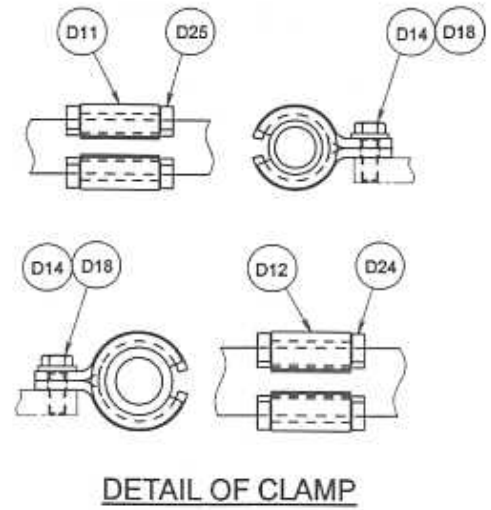
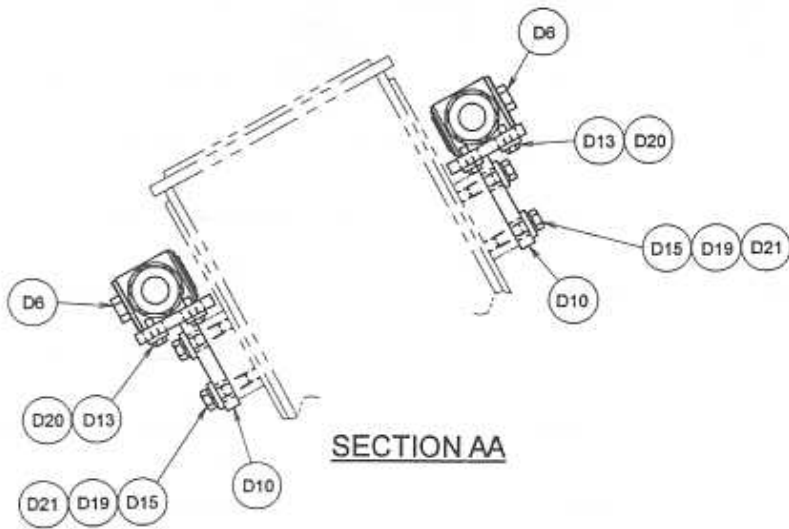
See CPM

ARM HYDRAULIC LINES 2.94M (9ft 8in) (N&B REWORK)



ARM HYDRAULIC LINES 2.94M (9ft 8in) (N&B REWORK)

YQ08U0969-



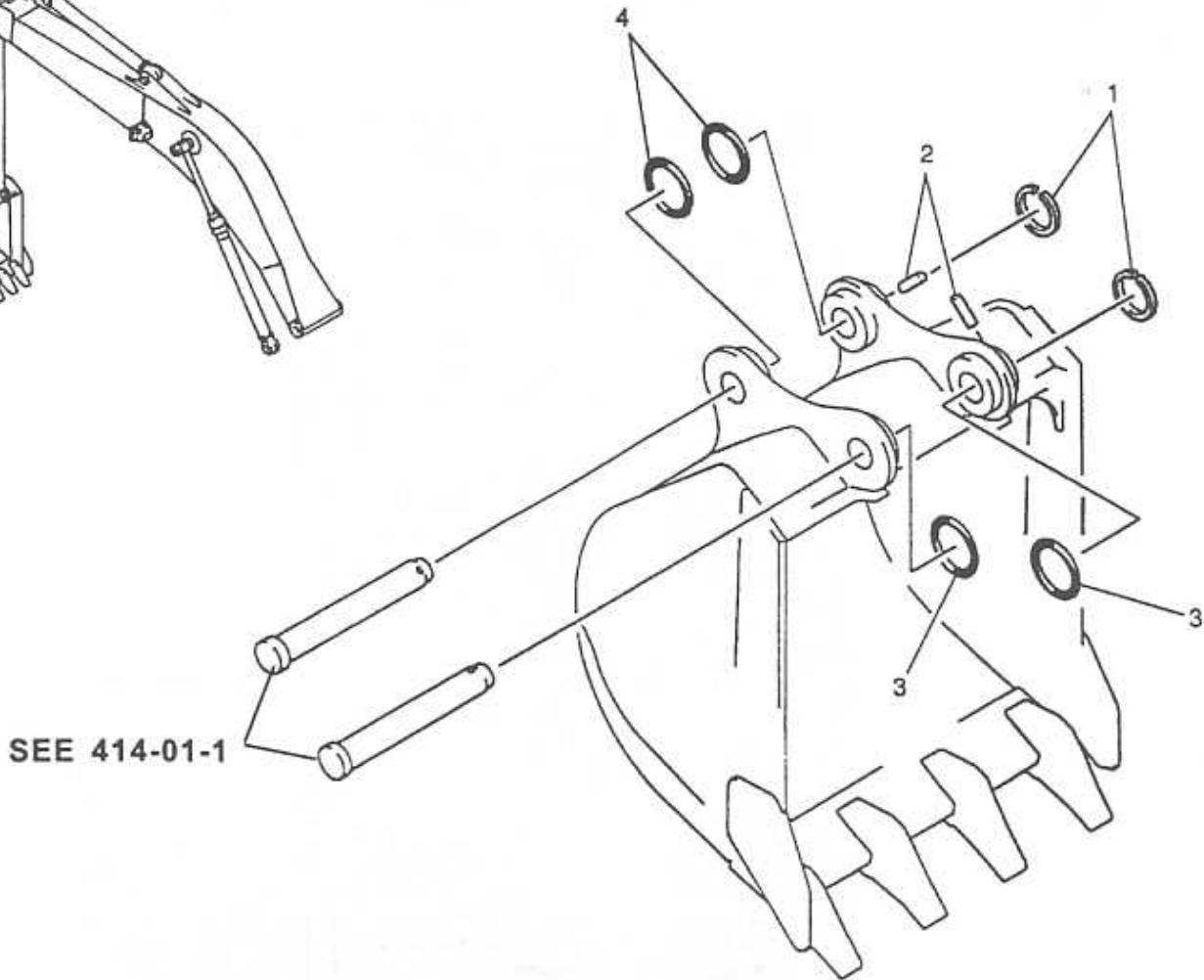
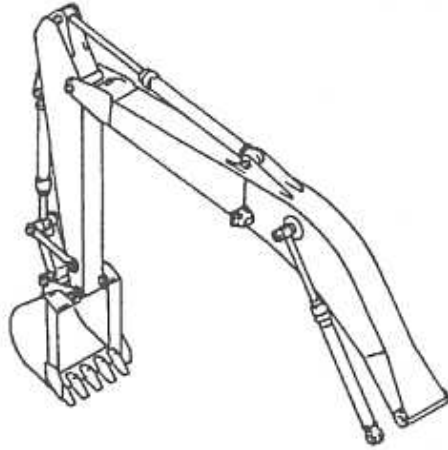
ARM HYDRAULIC LINES 2.94M (9ft 8in) (N&B REWORK)

YQ08U0969~

ITEM	PART NUMBER	DESCRIPTION	QTY
		HYD LINES, ARM 2.94M (N&B REWORK)	
	YN43H00133F1	HYD LINES, ARM (N&B)	
D1	YN43H01401P1	TUBE	1
D2	YN43H01402P1	TUBE	1
D3	YN43H01425P1	TUBE	1
D4	YN43H01211DB	HOSE (L=1500mm)	1
D5	LC43H01011D4	HOSE (L=1600mm)	1
D6	24100P3133F1	VALVE, STOP	2
D6-1	2436P317	BODY, VALVE	1
D6-2	2436T311	VALVE	1
D6-3	ZR16X04000	RETAINING RING	1
D6-4	ZS23C06010	CAPSCREW (M6X10mm)	1
D6-5	ZD12G03500	O-RING	1
D6-6	ZD85G03500	RING, BACK-UP	1
D6-7	ZD12G04000	O-RING	1
D6-8	ZD75G04000	RING, BACK-UP	1
D6-9	2418T8945D1	SPACER	1
D6-10	ZD11G04000	O-RING	2
D7	YN43H01005P1	CONNECTOR	2
D8	ZE13X16000	CLAMP, HALF	2
D9	ZE13X20001	CLAMP, HALF	4
D10	YN43H01426P1	BRACKET	2
D11	LS43H01005P1	CLAMP	4
D12	LS42H01018P1	CLAMP	4
D13	ZS18C08025	CAPSCREW (M8X25mm)	8
D14	ZS18C10030	CAPSCREW (M10X30mm)	8
D15	ZS18C12045	CAPSCREW (M12X45mm)	4
D16	ZS28C12050	CAPSCREW (M12X50mm)	4
D17	ZS28C14050	CAPSCREW (M14X50mm)	8
D18	ZW16H10000	WASHER (M10)	8
D19	ZW26X12000	LOCK WASHER (M12)	4
D20	YN43H01151P1	WASHER (M8)	8
D21	YN43H01163P1	WASHER (M13)	4
D22	ZW26K14000	LOCK WASHER (M14)	8
D23	ZW26K12000	LOCK WASHER (M12)	4
D24	LC43H01013P1	BUSHING	2
D25	LC42H01020P1	BUSHING	2
D26	ZD12P03800	O-RING	2
D27	ZD12P03400	O-RING	1
D28	ZD12A02100	O-RING	2
	YN43H00004F1	CONNECTOR ASSY	
E1	2444P1744D3	CONNECTOR	1
E2	2444T2406	PLUG	1
E3	ZD12P03800	O-RING	1

(FF1 1/4 - 1 7/16 - 12UN)

BUCKET INSTALLATION

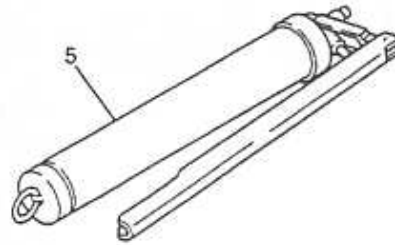
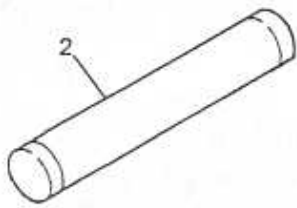


ITEM	PART NUMBER	DESCRIPTION	QTY
	YN61B00007F1	BUCKET INSTL	
1	2418T23987D2	RING	2
2	2419T6002D6	PIN	2
4	2445Z1570	O-RING	4



TOOLS AND SPARE PARTS

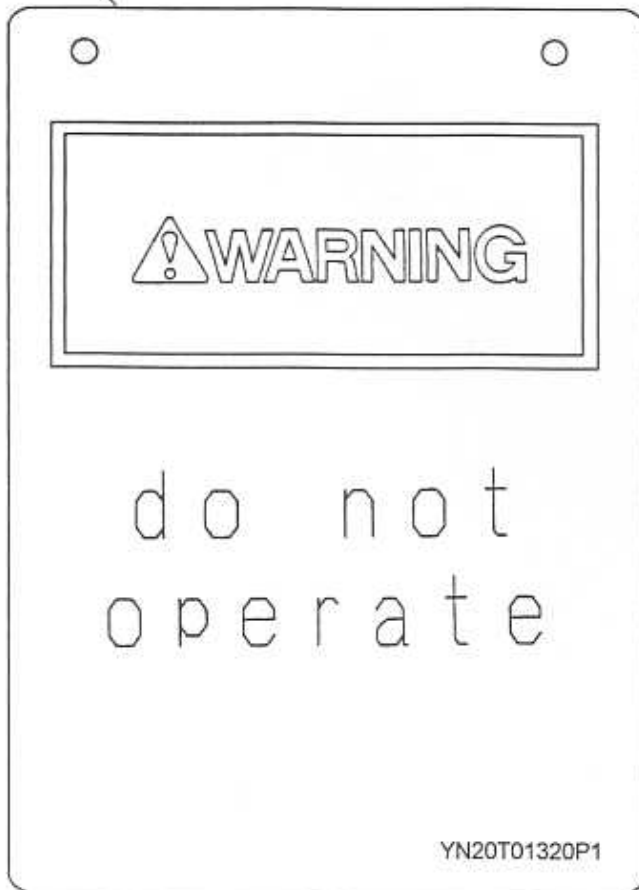
TOOLS & ACCESSORIES



3, 4, 5, 6, 7, 8,
9, 10, 11, 12, 13, 14



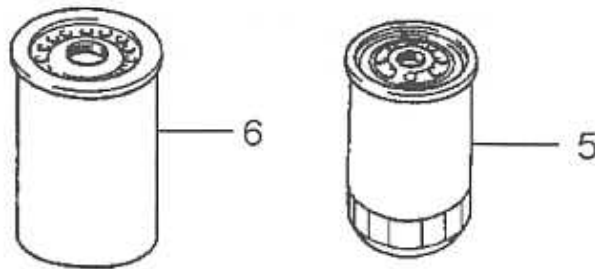
15



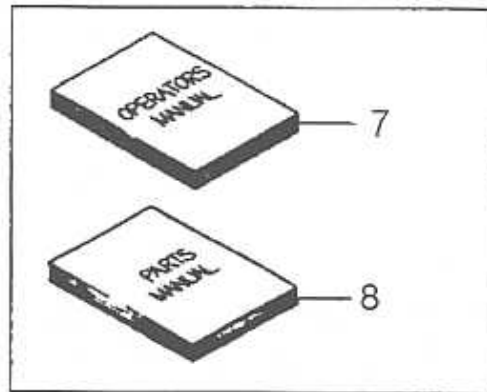
ITEM	PART NUMBER	DESCRIPTION	QTY
	YN01T00014F1	TOOL & ACCESSORY	
1	2421R380	GUN, GREASE	1
2	2421Z499	GREASE	1
3	B16T0442D3	SHIM, 1.2	5
4	B16T0442D4	SHIM, 1.6	3
5	B16T0442D6	SHIM, 2.3	1
6	B16T0442D13	SHIM, 1.2	1
7	B16T0442D14	SHIM, 1.6	1
8	B16T0442D15	SHIM, 2.3	1
9	B16T0442D28	SHIM, 2.0	3
10	B16T0442D33	SHIM, 2.0	1
11	B16T0442D37	SHIM, 1.6	1
12	B16T0442D48	SHIM, 1.2	1
13	B16T0442D49	SHIM, 2.0	1
14	B16T0442D50	SHIM, 2.3	1
15	YN20T01320P1	LABEL	1

ELEMENT KIT

YQ07U0101-



FOR MACHINE

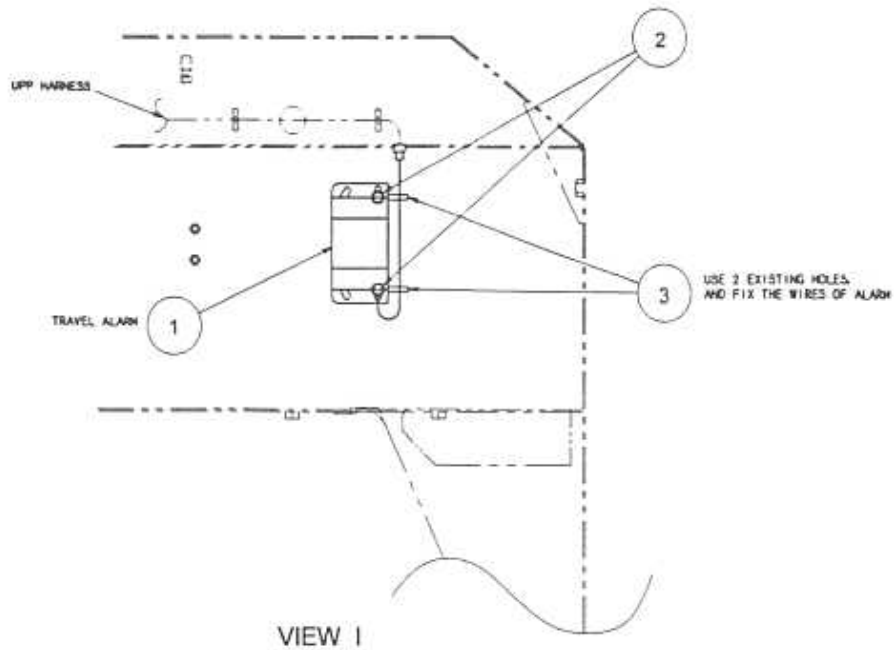
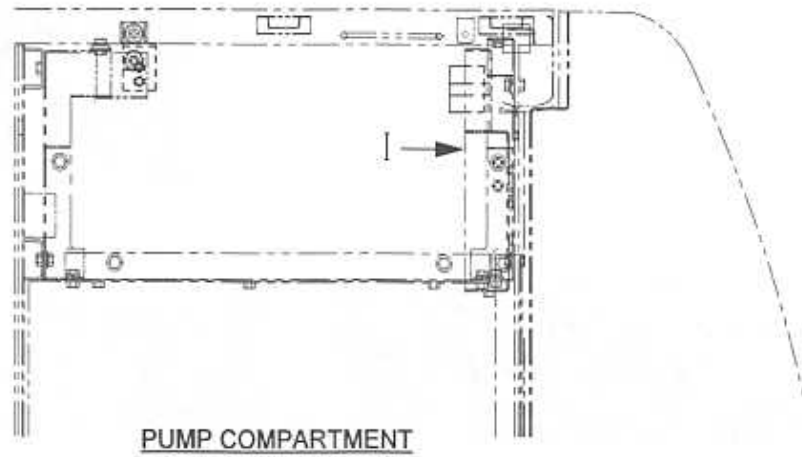


ITEM	PART NUMBER	DESCRIPTION	QTY
	YN30T00009F4	ELEMENT KIT	
5	2451U172-2A (2446R332D4)	ELEMENT, FUEL FILTER	1
6	VAME088532 (2446R332D11)	ELEMENT, OIL FILTER	1
7	YN91Z00009DB	MANUAL, OPERATOR	1
8	YN91Z00010DA	MANUAL, PARTS	1
25	2445Z1570	O-RING	4

OP

OPTIONAL PARTS

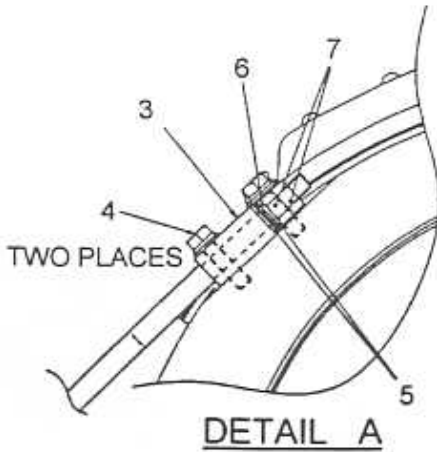
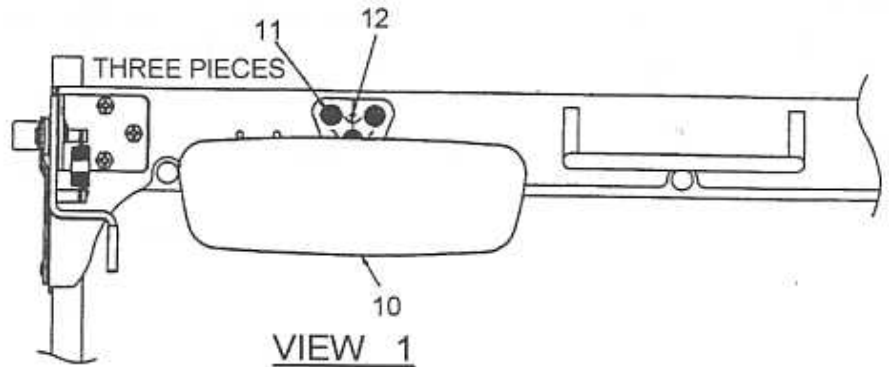
TRAVEL ALARM ASSEMBLY (STANDARD)



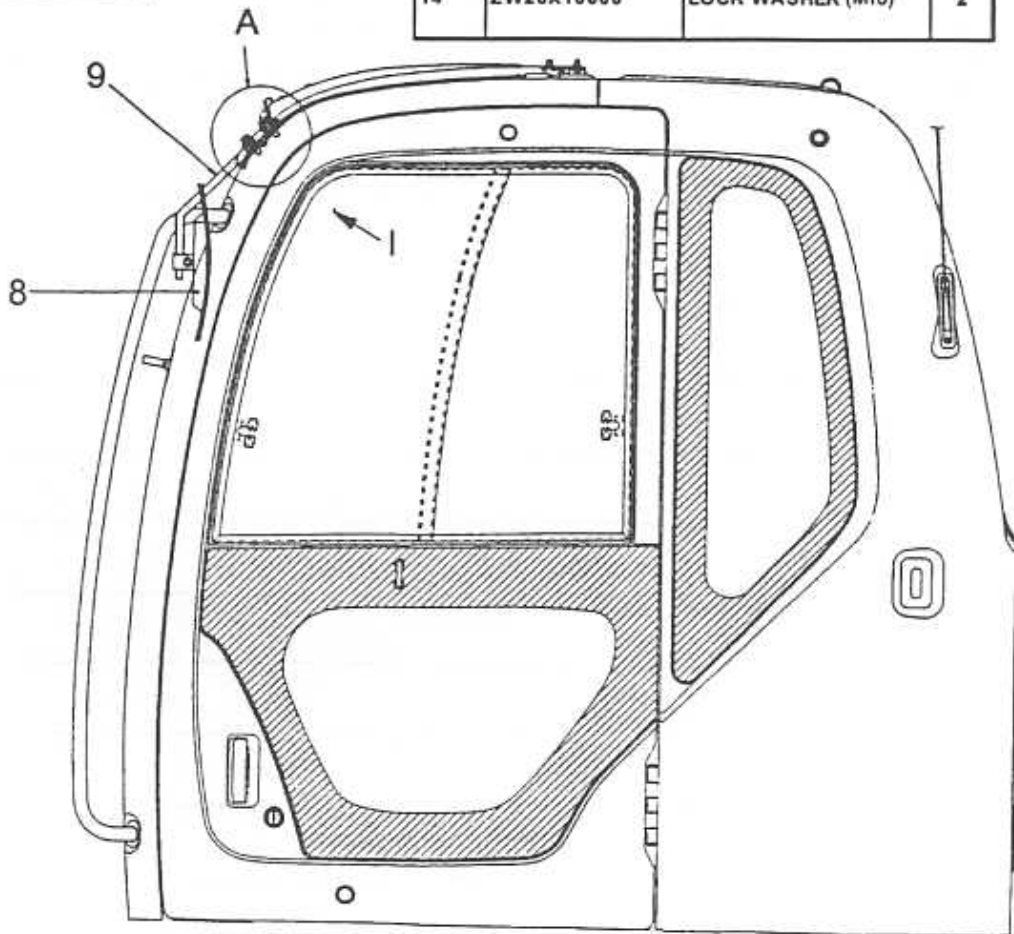
ITEM	PART NUMBER	DESCRIPTION	QTY
	YN53E00013F1	ALARM ASSY, TRAVEL	
1	YN53S00003F1	ALARM ASSY	1
2	ZM22C08020	SEMS-BOLT (M8X20mm)	2
3	PY01P01043D3	CLIP	2

MIRROR INSTALLATION (STANDARD)

YQ08U0969-

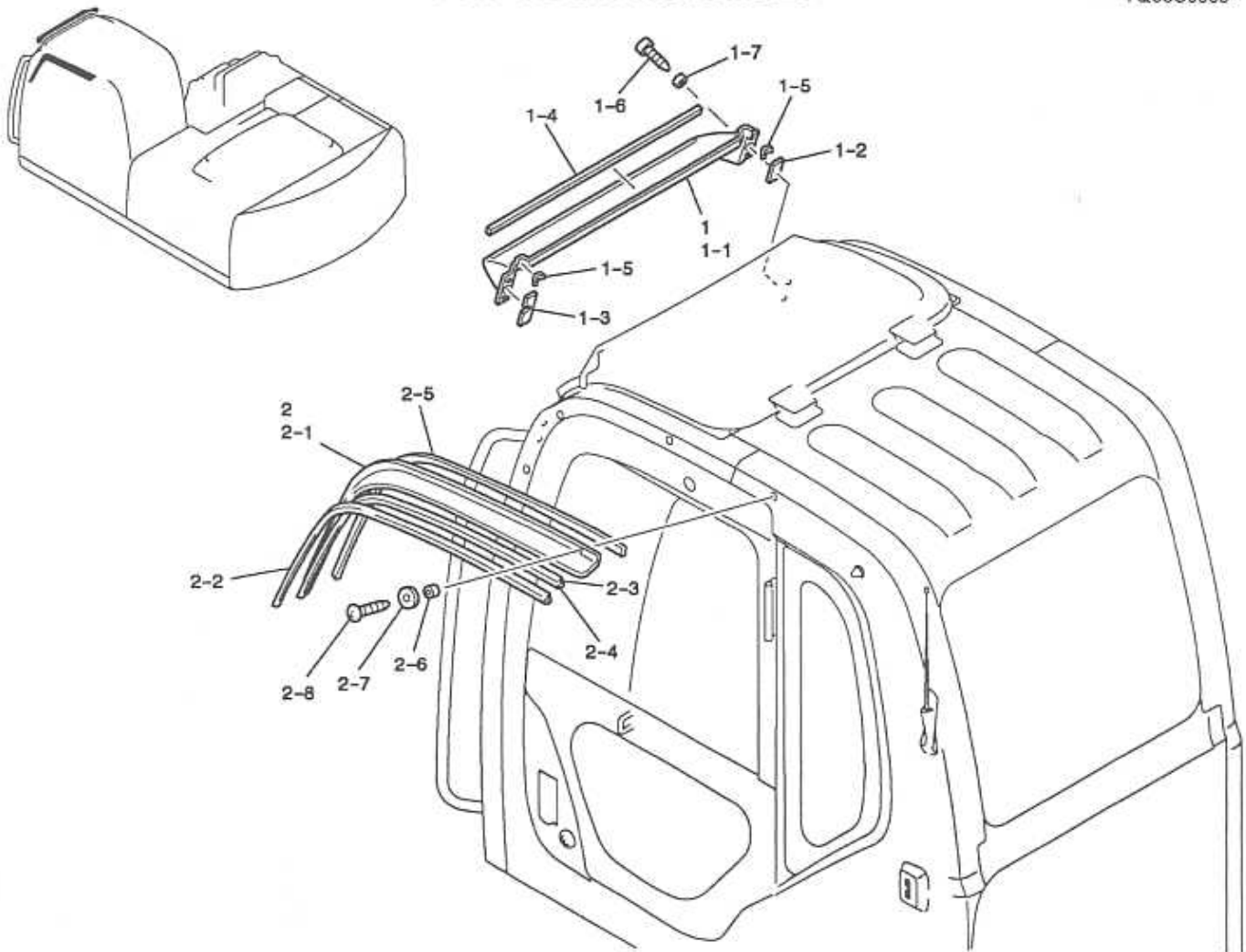


ITEM	PART NUMBER	DESCRIPTION	QTY
	YN52C00002F3	MIRROR INSTL	
3	YN02C01762P1	BRACKET	1
4	ZS18C10045	CAPSCREW (M10X45mm)	2
5	ZW16X12000	WASHER (M12)	2
6	R16T0137D1	WASHER (M12.2)	2
7	ZN18C12010	NUT (M12)	2
8	2456R351	MIRROR	1
9	YN02C01802P1	STAY	1
10	YN02C01121P1	MIRROR	1
11	ZM46C05016	SEMS-BOLT (M5X16mm)	3
12	YT50C01077P1	BLOCK, TAPPED	1
13	ZW16H10000	WASHER (M10)	2
14	ZW26X10000	LOCK WASHER (M10)	2



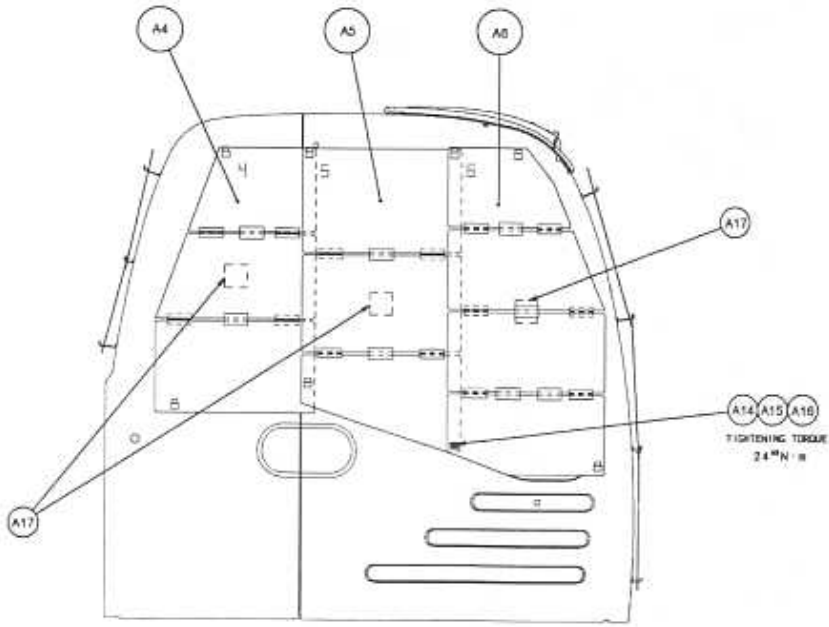
SUN VISOR ASSEMBLY

YQ08U0969~

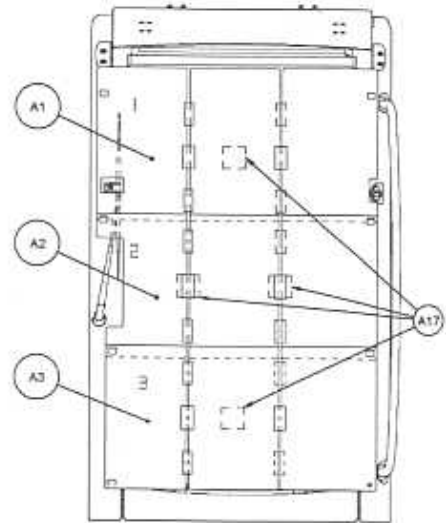


ITEM	PART NUMBER	DESCRIPTION	QTY	
	YN55C00003F1	VISOR ASSY, SUN (FRONT)	F1	-
	YN55C00003F2	VISOR ASSY, SUN (SIDE)	-	F2
1	YN55C00004F1	ROOF	1	-
1-1	YN55C00004S001	SUN VISOR	1	-
1-2	YN55C00004S002	ADHESIVE	2	-
1-3	YN55C00004S003	ADHESIVE	2	-
1-4	YN55C00004S004	INSULATION	1	-
1-5	YN55C00004S005	INSULATION	2	-
1-6	YN55C00004S006	SCREW, TAPPING	4	-
1-7	YN55C00004S007	SPACER	4	-
2	YN55C01013F1	GUTTER, RAIN	-	1
2-1	YN55C01013S001	GUARD	-	1
2-2	YN55C01013S002	SEAL	-	1
2-3	YN55C01013S003	ADHESIVE	-	1
2-4	YN55C01013S004	ADHESIVE	-	1
2-5	YN55C01013S005	ADHESIVE	-	1
2-6	YN55C01013S006	SPACER	-	5
2-7	YN55C01013S007	WASHER	-	5
2-8	YN55C01013S008	SCREW, TAPPING	-	5

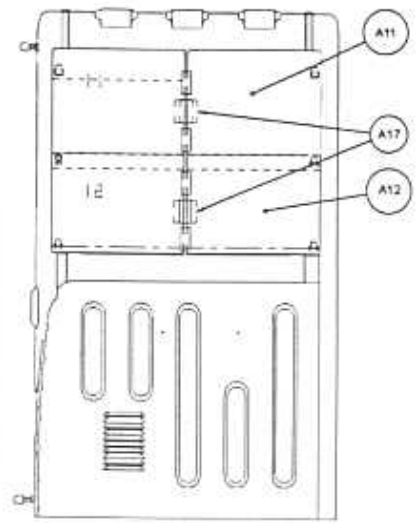
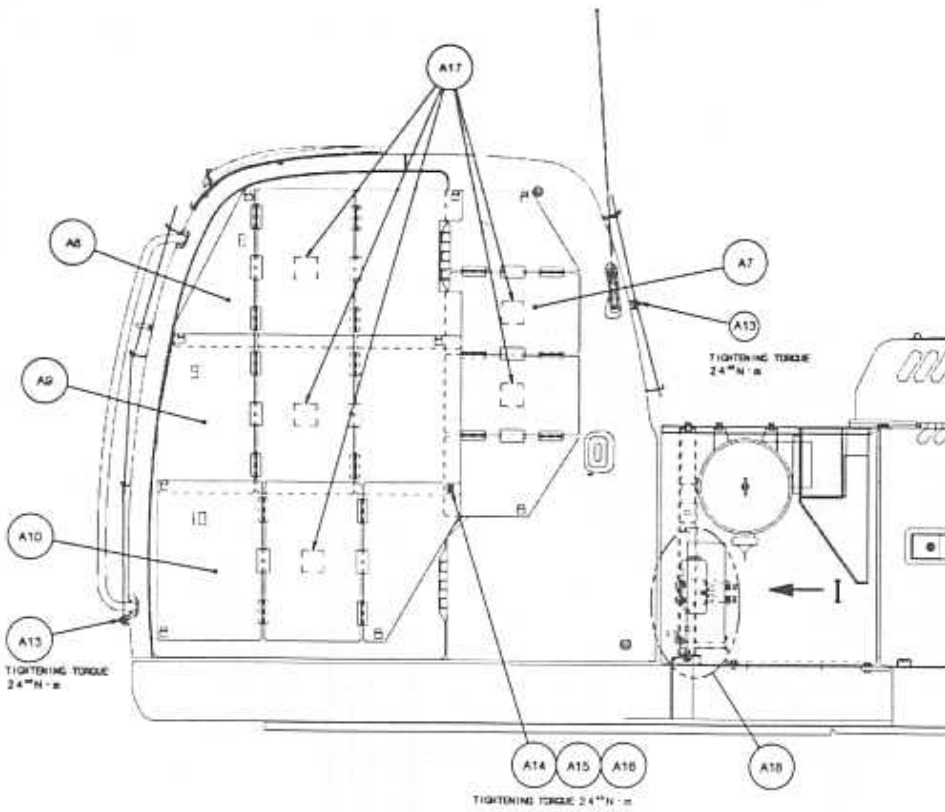
CAB VANDALISM GUARD



RIGHT SIDE OF CAB



FRONT OF CAB

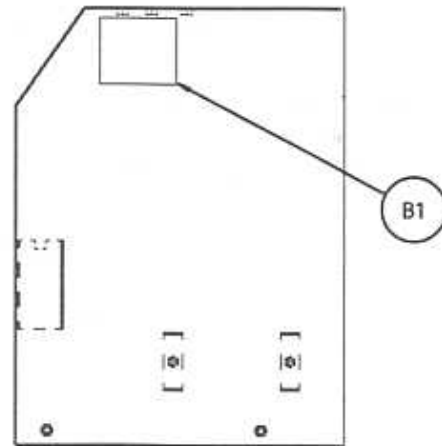
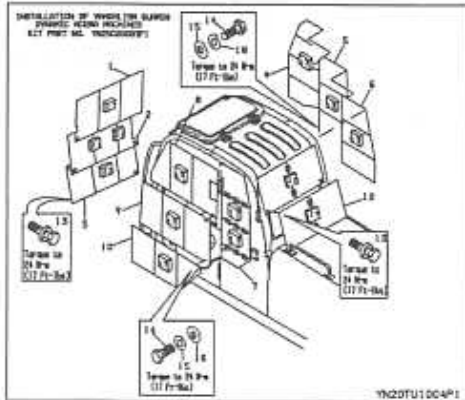


REAR OF CAB

CAB VANDALISM GUARD

YQ08U0969-

(B1) YN20TU1004P1

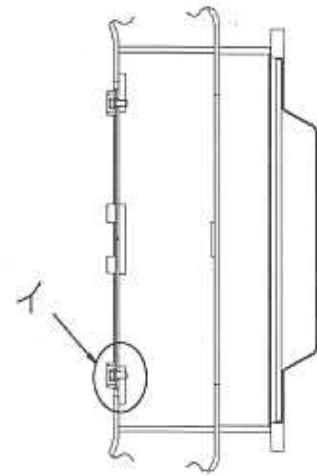
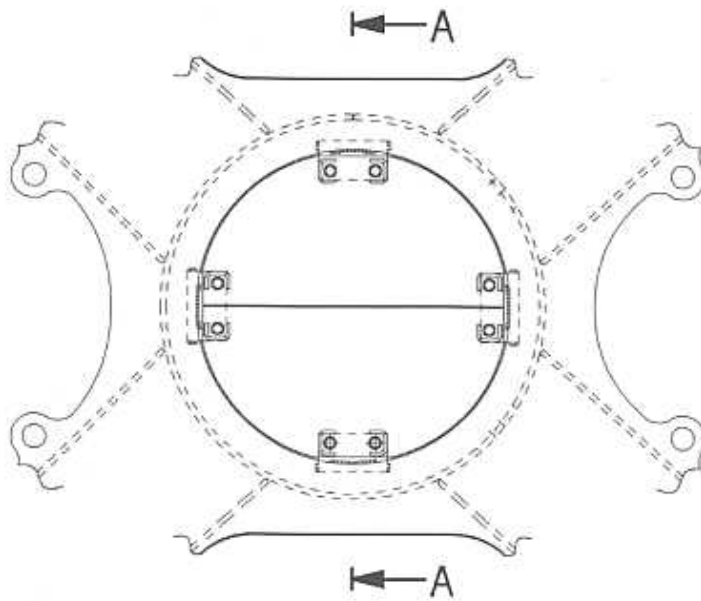


VIEW I

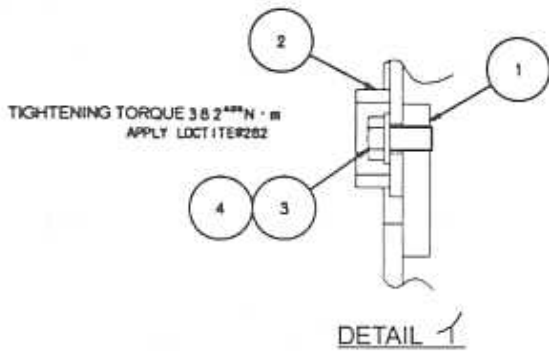
ITEM	PART NUMBER	DESCRIPTION	QTY
	YN25C00003F1	VANDALISM GUARDS	
A1	YN25C01010P1	GUARD (#1)	1
A2	YN25C01012P1	GUARD (#2)	1
A3	YN25C01011P1	GUARD (#3)	1
A4	YN25C01007P2	GUARD (#4)	1
A5	YN25C01008P2	GUARD (#5)	1
A6	YN25C01009P2	GUARD (#6)	1
A7	YN25C01006P1	GUARD (#7)	1
A8	YN25C01005P1	GUARD (#8)	1
A9	YN25C01004P1	GUARD (#9)	1
A10	YN25C01003P1	GUARD (#10)	1
A11	YN25C01002P1	GUARD (#11)	1
A12	YN25C01001P1	GUARD (#12)	1
A13	ZM22C08020	SEMS-BOLT (M8X20mm)	2
A14	ZS18C08014	CAPSCREW (M8X14mm)	2
A15	ZW26X08000	LOCK WASHER (M8)	2
A16	ZW16X08000	WASHER (M8)	2
A17	YN25C01014P1	PLATE ASSY	14
A18	LB21C01057F1	BRACKET ASSY	1
A18-1	LB21C01050P1	BRACKET	1
A18-2	LB21C01051F1	SUPPORT ASSY	1
A18-3	LB21C01053P1	PLATE	1
A18-4	LB21C01056P1	RUBBER	1
A18-5	2420R220D43	BOLT, WING (M10X25mm)	1
A18-6	2418T12346	WASHER (M10)	1
A18-7	ZM32C12025	SEMS-BOLT (M12X25mm)	10
	YN22TU0003F1	NAME-PLATE INSTL (VANDAL GUARDS)	
B1	YN20TU1004P1	LABEL	1

UNDER COVER ASSEMBLY

YQ08U0969-



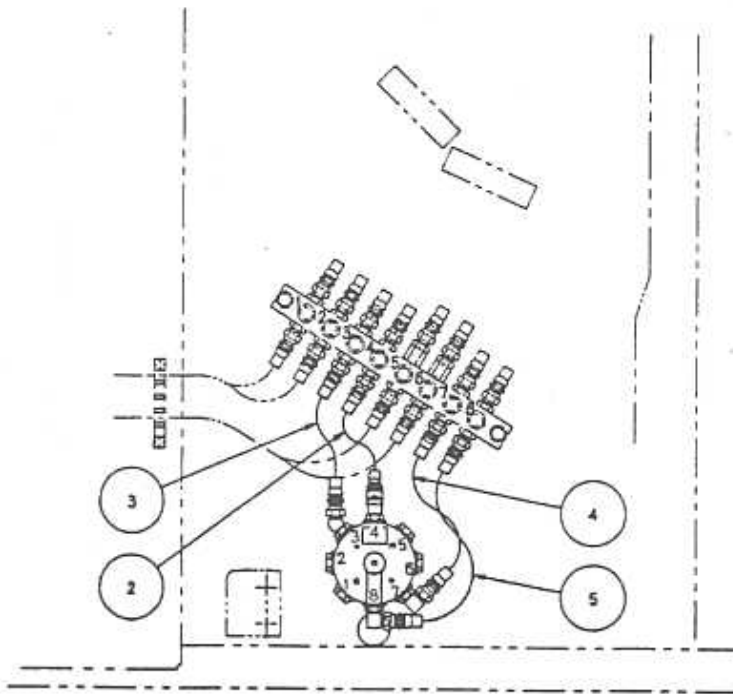
SECTION AA



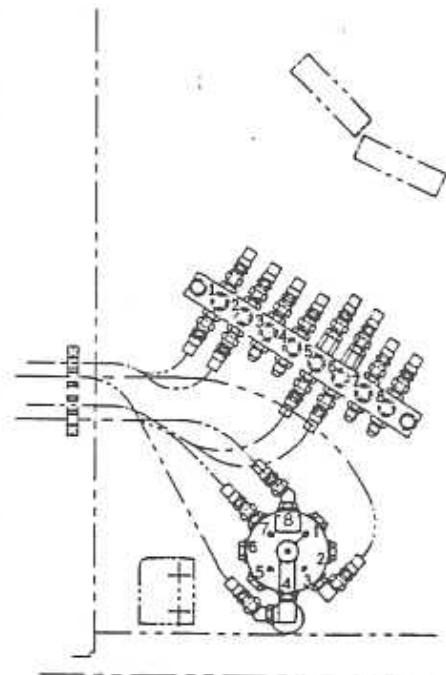
ITEM	PART NUMBER	DESCRIPTION	QTY
	YN24C00023F1	COVER ASSY, UNDER	
1	YN24C01214P1	BLOCK INSTAL	1
2	YN24C01215P1	COVER ASSY	2
3	ZS13C18035	CAPSCREW (M18X35mm)	8
5	ZW11X18000	WASHER (M18)	8

541-01-1

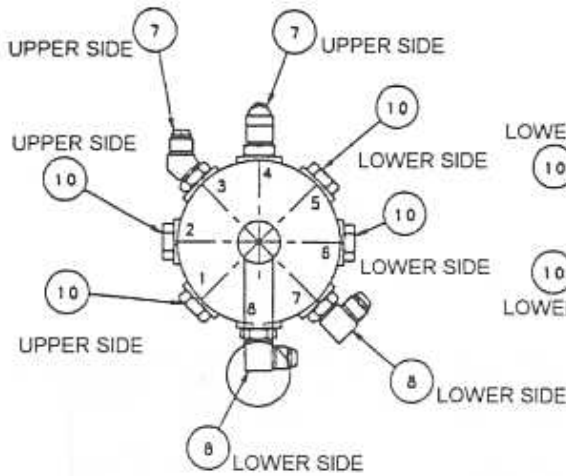
REMOTE CONTROL LINES (MULTI)



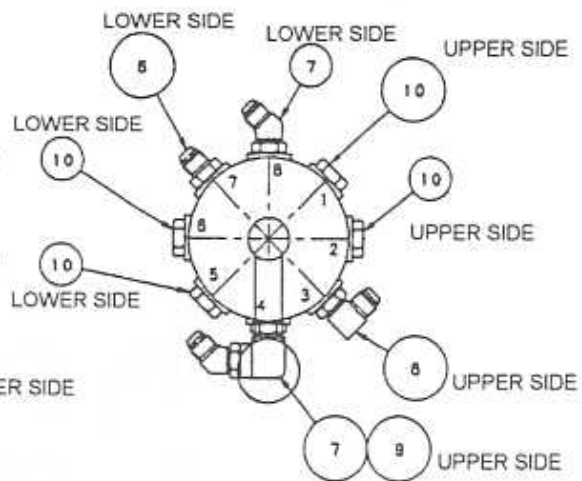
FROM MULTI TO BLOCK ASSY



FROM PILOT TO MULTI



FROM MUTLI TO BLOCK ASSY



FROM PILOT TO MULTI