

KATO

HYDRAULIC TRUCK CRANE

NK-400E-III

NK-500E-III ✓

NK-500M-III

UNIT PARTS LIST

HT56

Serial No: 812 5415

KATO WORKS CO., LTD.

注意事項 PRECAUTIONS

1. 注意事項

- (1) 「構成部品」を表しているイラストは、各構成部品を判別することを目的としているため、形状及び組立順序が多少現品と異なっている場合もあります。
- (2) 機械の補修の際は、KATO純正部品を必ずご使用ください。
もし、KATO純正部品以外の部品を使用した場合の故障や事故などに対して、KATOは保証しかねます。

1. PRECAUTIONS

- (1) The object of illustration showing "component part" is to identify each composing part, hence there might be a case where shapes and assembly sequences are slightly different from those of real parts.
- (2) When repairing the machine, be sure to use KATO's genuine parts. If parts other than KATO's genuine parts are used, KATO will not guarantee the machine against any possible troubles involving fails or damages.

部品の注文方法 HOW TO ORDER PARTS

1. 部品の注文方法

「ユニット部品」の「構成部品」を注文する場合は、以下に示す手順でその部品番号を選び出してください。

[例]

NK-500E-IIIのリターンフィルタ（ユニット部品）のフィルタエレメント（構成部品）を注文する場合

- (1) NK-500E-IIIの「本体用パーツリスト」から、リターンフィルタのアセンブリの部品番号（この例では689-37600022）を捜し出します。


1. HOW TO ORDER PARTS

When ordering "composing parts" of the "assembly unit", pick up their part number in accordance with the following procedures.

[Example]

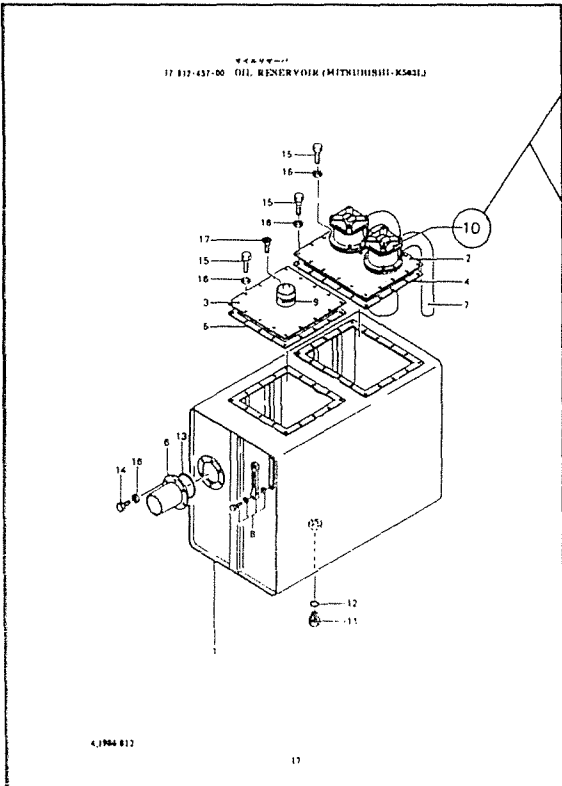
In case of ordering a filter element (composing part) of the return filter (assembly unit) on NK-500E-III.

- (1) Pick up the parts number (689-37600022 in this example) of return filter assembly from the "Machine Component Parts List" of NK-500E-III.



本体用パーツリスト
Machine Component Parts List

689-37600022
フィルタ・リターン
FILTER - RETURN



17 812-4370000 OIL RESERVOIR (MITSUBISHI-K5481J)

4,1984 812

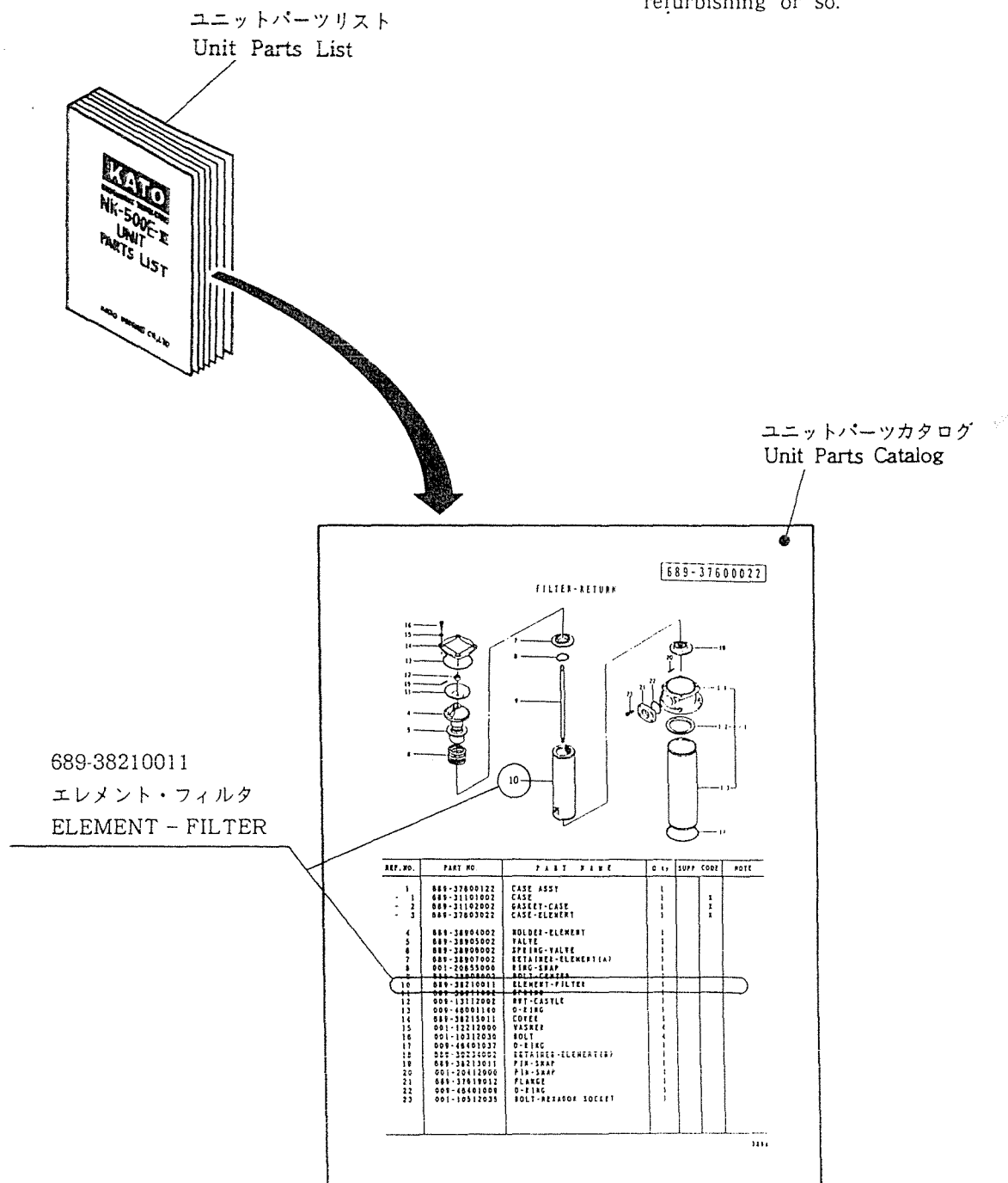
凡号 REF. NO.	部品番号 PART NO.	部品名 PART NAME	数量 QTY.	備考 NOTE
0	812-43700000	オイル・リタン OIL RESERVOIR	1 SET	
1	812-43701000	オイル・リタン RESERVOIR-OIL	1	
2	812-43702000	カバー COVER	1	
3	812-43703000	カバー COVER	1	
4	812-43704000	パッキング PACKING	1	
5	812-43705000	パッキング PACKING	1	
6	702-43008000	パイプ PIPE	1	
7	702-43007000	パイプ PIPE	2	
8	672-43004010	ゲージ・レベル GAUGE-LEVEL	1	
9	689-16600001	ブレイク・アッセンブリ BREAKER-ASST	1	
10	689-37600022	フィルタ・リターン FILTER-RETURN ASST	2	
11	782-62994000	プラグ PLUG	1	
12	001-36120280	O-RING	1	
13	009-46001120	O-RING	1	
14	001-10110035	ボルト BOLT	6	
15	001-10110025	ボルト BOLT	42	
16	001-12110002	ワッシャー・スプリング WASHER-SPRING	48	
17	001-10806020	ネジ・マシン SCREW-MACHINE	3	

(2) 次に、ユニットパーツリストより、上記(1)で探し出したアッセムブリの部品番号(この例では689-37600022)の「ユニットパーツカタログ」を開いて、注文すべきフィルタエレメントの部品番号(この例では689-38210011)を選び出します。

(2) And next, open the page of the Parts Catalog showing the number 689-37600022 (which has been picked up in (1) above) in this "Unit Parts List" and find out the part number (689-38210011) of the filter element to be ordered.

記 「本体用パーツリスト」と「ユニットパーツリスト」との発行時期の違いにより、ユニット部品のアッセムブリ部品番号が多少異なる場合があります。

Note There might be a case where the parts number of assembly unit slightly differs depending on the timing of issuing the "Machine Component Parts List" and "Unit Parts List" due to the modification, refurbishing or so.



(3) 部品のご注文は、お近くのKATO部品販売店へご
用命ください。
その際、次の事項をご連絡いただければ、それらの
資料をもとに誤りのない部品が期間を縮めて出荷で
きます。

(3) For ordering parts, please contact KATO
distributor. If the following information is
available on that occasion, it will be facilitate
own order processing.

	必要事項 Information	注文例 Example
①	注文したい部品番号 Required part number (s)	689-382100011
②	注文したい部品名称 Required part name (s)	エレメント・フィルタ ELEMENT - FILTER
③	注文したい個数 Required quantity (-ties)	1個 1 pc.
④	機種名 Model name (s)	NK-500E-Ⅲ
⑤	機体の製造番号 Machine serial number (s)	812008
⑥	ユニットパーツカタログに記載があればユニット部 品の製造番号又はロット番号 First manufacturing serial number (S/No.) or lot number(s) of assembly unit if it is described in Unit Parts Catalog	8Y11015
⑦	修理を必要とするユニット部品の打刻製造番号 Manufacturing serial number (s) on assembly unit which requires repairing	8Z11038
⑧	ユニット部品のアセンブリ部品番号及び部品名称 Part number and part name of assembly unit.	689-37600022 / フィルタ・リターン FILTER - RETURN
⑨	架装車種名及び車体番号 Chassis model and serial number (s)	三菱K203/K203 - 20001 (他、日デKG45S、いすゞP - NKR等) MITSUBISHI K203/K203 - 20001 (Others including, NISSAN DIESEL KG45S, ISUZU P-NKR, etc.)

ユニットパーツカタログ部品リストの見方

HOW TO READ THE PARTS LIST

IN THE UNIT PARTS CATALOG

1. 部品リストの見方

- (1) 部品リストの「Q'ty」欄に表示されている個数は、原則としてユニット部品の1セット分に使われている個数を表しています。(したがって、機種1台分に必要な個数を表したものではありません。)

記 「Q'ty」欄に「AR」と表示されている場合は、個々によりその調整個数又は厚みが異なることを示しています。したがって、例えば「シム」を注文する場合は「シムキット 1セット」としてください。
(ここで「AR」とは「As Required」すなわち「必要に応じて」という意味です。)

記 セット部品の個数については、次項(2)の説明を御覧ください。

- (2) 部品リストの「REF. NO.」欄に表示されている番号のうち、ハイフンの付いた番号(-1, --1, -2, --2, など)は、セット部品(サブアセンブリ、キット、セット部品など)を構成する部品であることを示しています。

1. HOW TO READ THE PARTS LIST

- (1) The quantity shown in the Q'ty column of the "Parts List" represents the number used in one set of assembly unit as a general rule. (Therefore, it is not the quantity required for a machine.)

Note "AR" in the Q'ty column shows that its adjusting quantity of thickness varies individually. When ordering "Shim" for example, please specify "Shim Kit Set". (Here, "AR" stands for "As Required".)

Note As for the quantity of set parts, refer to the following explanations in (2).

- (2) Of numbers shown in the REF. NO. column of the "Parts List", the number with hyphen (-1, --1, -2, --2, etc.) shows that it is a part which makes up the set parts (sub-assembly, kit, set parts, etc.).

[例]

表1

[Example]

Table - 1

S/NO.*****

REF. NO.	PART NO.	PART NAME	Q'ty	SUPP. CODE	NOTE
20	619-52125000	PISTON KIT	1		
- 1	619-31019001	PISTON ASSY	9	X	
-- 1	619-39421001	PISTON	1	X	
-- 2	619-31081011	SHOE	1	X	

記 表1右上の「S/NO.」は「ユニット部品の初号製造番号又はロット番号」を表しています。

Note "S/NO." on the upper right side of Table 1 refers to "First Manufacturing Serial Number (S/No.) or Lot Number(s) of Assembly Unit".

表1の部品リストを例にとると以下ようになります。

- ① ハイフンが1個付いた REF. NO. " - 1" (PISTON ASSY) は、ハイフンの付かない REF. NO. "20" (PISTON KIT) を構成している部品であることを示しています。
 また、Qty欄の "9" は、PISTON KIT の1セットが、PISTON ASSY 9セットにより構成されていることを示しています。
- ② ハイフンが2個付いた REF. NO. " - - 1" (PISTON) 及び " - - 2" (SHOE) は、ハイフンが1個付いた REF. NO. " - 1" (PISTON ASSY) を構成している部品であることを示しています。
 また、Qty欄の "1" は、PISTON ASSY の1セットが、PISTON 1個及び SHOE 1個により構成されていることを示しています。

(3) 部品リストの「SUPP. CODE」欄に表示される記号は、次の意味を表しています。

SUPP. CODE	
S ←	-----
R ←	-----
X ←	-----
E ←	-----
C ←	-----

<意味>
Meanings

Here follows an explanation taking the "Parts List" in Table - 1 as an example.

- ① REF. NO. " - 1" (PISTON ASSY) shows that it is a part which compose REF. NO. "20" (PISTON KIT).
 Also, "9" in the Q'ty column shows that 1 set of PISTON KIT is composed of 9 sets of PISTON ASSY.
- ② REF. NO. " - - 1" (PISTON) and " - - 2" (SHOE) show that it is part which compose REF. NO. " - 1" (PISTON ASSY).
 Also, "1" in the Q'ty column shows that 1 set of PISTON ASSY is composed of 1 PISTON and 1 SHOE.

(3) Marks shown in the SUPP. CODE column of the "Parts List" have the following meanings.

S ← シールキットを構成する部品を示す。
 Composing parts of SEAL KIT.

R ← リペアキットを構成する部品を示す。
 Composing parts of REPAIR KIT.

X ← 単品供給不可部品を示す。
 None-supply parts.

E ← スプリングキットを構成する部品を示す。
 Composing parts of SPRING KIT.

C ← 現地加工、予圧調整が必要な部品を示す。
 これは 一般的に非売品扱いとなりますので弊社技術サービス部にご相談ください。

It shows the parts which need on-site processing or pre-pressure adjustment.

If absolutely necessary, please contact KATO Technical Service Department.

TABLE OF CONTENTS

<< 109 >>

109-10600011 SHAFT-PROPELLER

109-19700001 SHAFT-PROPELLER

<< 309 >>

309-43700001 CYLINDER-MASTER

309-63200002 CYLINDER-POWER

309-64700001 CYLINDER-POWER (CLUTCH)

309-64800001 CYLINDER-POWER (CLUTCH)

309-66000003 CYLINDER-FRONT JACK

309-69300002 CYLINDER-HORIZONTAL

309-69700001 CYLINDER-HORIZONTAL

309-82100006 CYLINDER-DERRICK

309-82200003 CYLINDER-DERRICK

309-86600004 CYLINDER-TELESCOPIC

309-86700011 CYLINDER-TELESCOPIC

309-88500021 CYLINDER-SERVO MASTER

309-88700001 CYLINDER-POWER

309-90100013 CYLINDER-VERTICAL

309-90500004 CYLINDER-VERTICAL

309-91700001 CYLINDER-VERTICAL

309-99800001 CYLINDER-TELESCOPIC

309-99900011 CYLINDER-TELESCOPIC

<< 329 >>

329-65200001 CYLINDER-POWER

<< 609 >>

609-16900001 PUMP-GEAR
609-17100011 PUMP-GEAR
609-27700001 DIVIDER-FLOW

<< 619 >>

619-10800001 MOTOR-GEAR
619-30900012 MOTOR-PLUNGER
619-33500001 MOTOR-PLUNGER
619-56700001 MOTOR-PLUNGER

<< 629 >>

629-10400001 VALVE-NEEDLE
629-13200012 VALVE-SHUT OFF
629-24300001 VALVE-SOLENOID
629-24900011 VALVE-CLUTCH
629-27600001 PLATE-SUB
629-55900021 VALVE-CONTROL
629-61000011 VALVE-INLINE CHECK
629-62200001 VALVE-INLINE CHECK
629-62900003 VALVE-DOUBLE CHECK
629-66700012 VALVE-PILOT CHECK
629-71700002 VALVE-PILOT
629-79300003 VALVE-CONTROL
629-79400007 VALVE-CONTROL
629-79500006 VALVE-CONTROL
629-80900001 VALVE-SHUTTLE

629-81600001 VALVE-INLINE CHECK
629-81900001 VALVE-THROTTLE CHECK
629-83000001 VALVE-INLINE CHECK
629-83100001 VALVE-INLINE CHECK
629-84200011 VALVE-CHECK BLOCK
629-86600011 VALVE-PILOT CHECK
629-88100001 VALVE-SOLENOID

<< 639 >>

639-20400001 VALVE-REDUCING
639-61600001 VALVE-BALANCING
639-62100001 VALVE-BALANCING

<< 649 >>

649-33800001 VALVE-RESTRICTION

<< 669 >>

669-63700001 VALVE-CLUTCH

<< 689 >>

689-30100001 FILTER-INLINE MICRO (PT)
689-34400011 FILTER-SPIN
689-37600022 FILTER-RETURN
689-85800012 SEAL-ROTARY

<< 709 >>

709-12200002 BRUSH-ROTARY

709-14600012 REEL-CORD
709-20100003 LAMP-WORKING
709-24300003 LAMP-ROOM
709-40800001 WIPER-FRONT
709-42200001 WIPER-ROOF

<< 779 >>

779-41400001 REEL-HOSE
779-41500001 REEL-HOSE

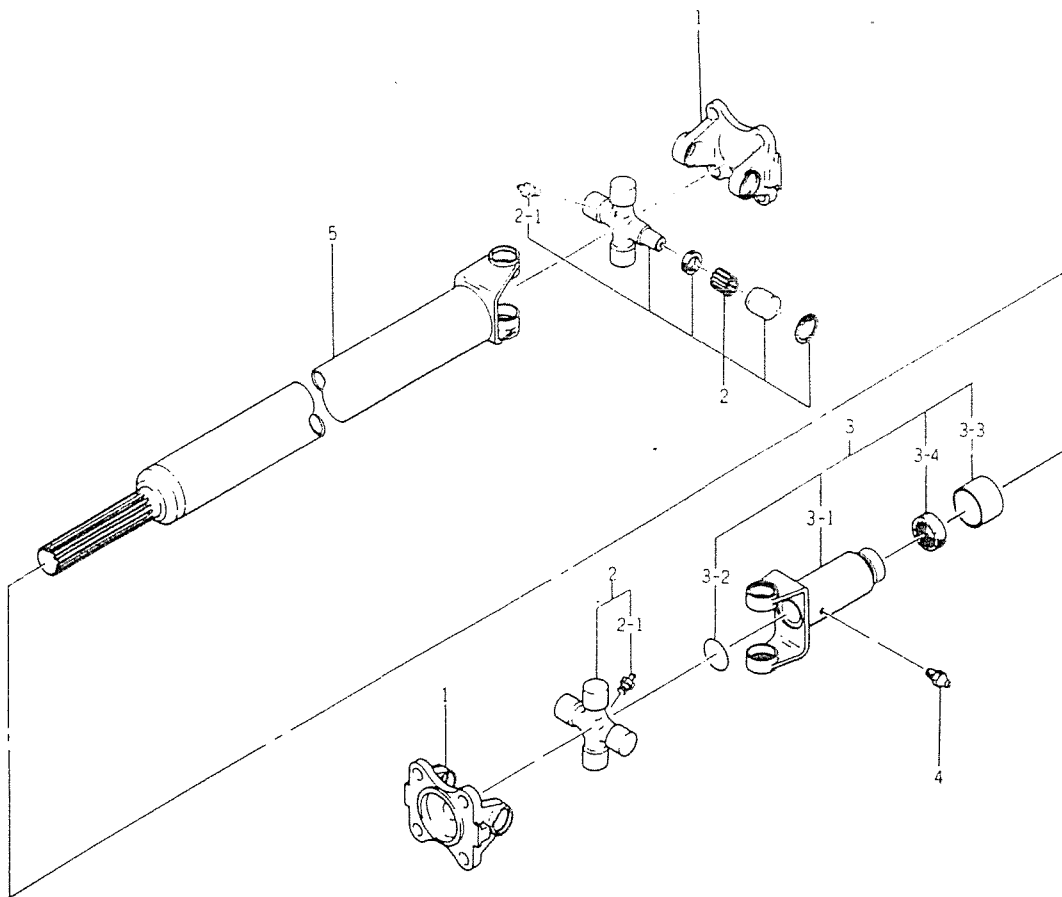
<< 819 >>

819-30200041 LIMIT SWITCH BLOCK

PARTS INDEX

109-10600011

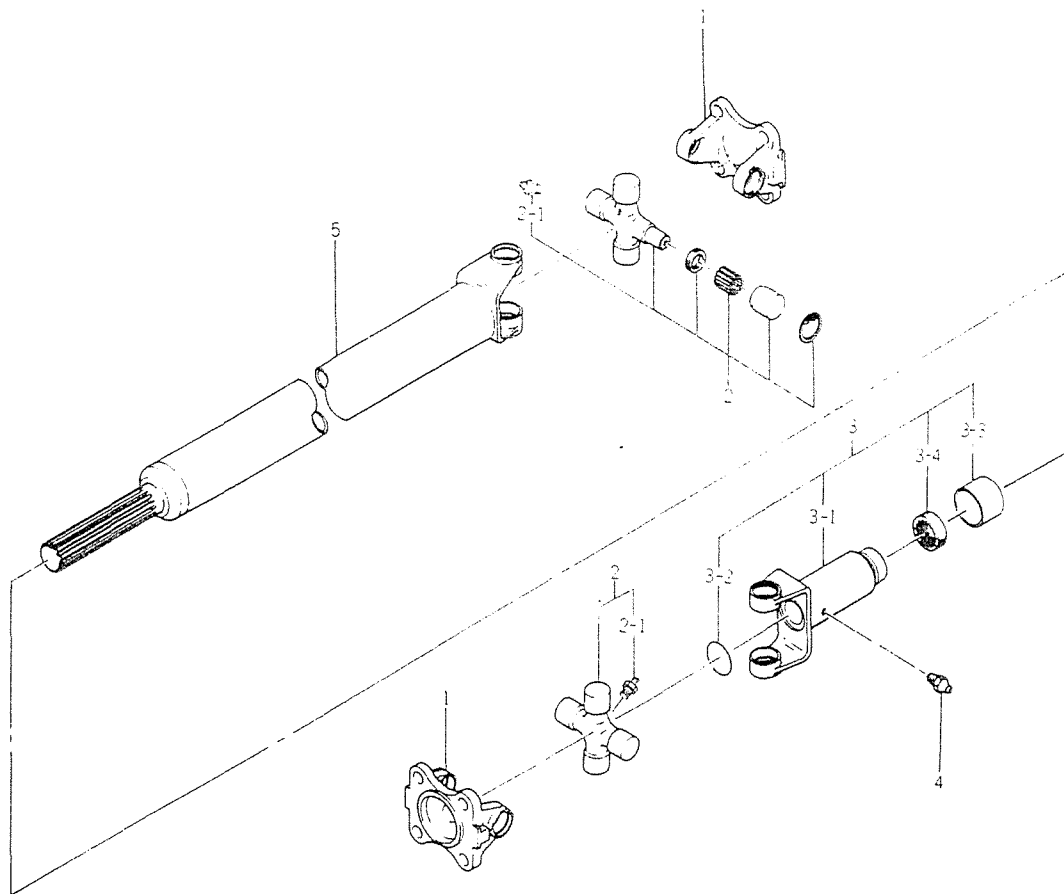
SHAFT-PROPELLER



REF. NO.	PART NO.	PART NAME	Q'ty	SUPP. CODE	NOTE
1	109-11401001	YOKE-FLANGE	2		
2	109-10606011	SPIDER ASSY	2		
- 1	109-10711001	NIPPLE-GREASE	1		
3	109-14200101	SLEEVE YOKE ASSY	1		
- 1	109-11402001	YOKE-SLEEVE	1		
- 2	109-14202101	PLUG	1		
- 3	109-14203101	COVER-DUST	1		
- 4	109-14204101	RING-FELT	1		
4	001-60101001	NIPPLE-GREASE	1		
5	109-10603001	SHAFT ASSY	1		

109-19700001

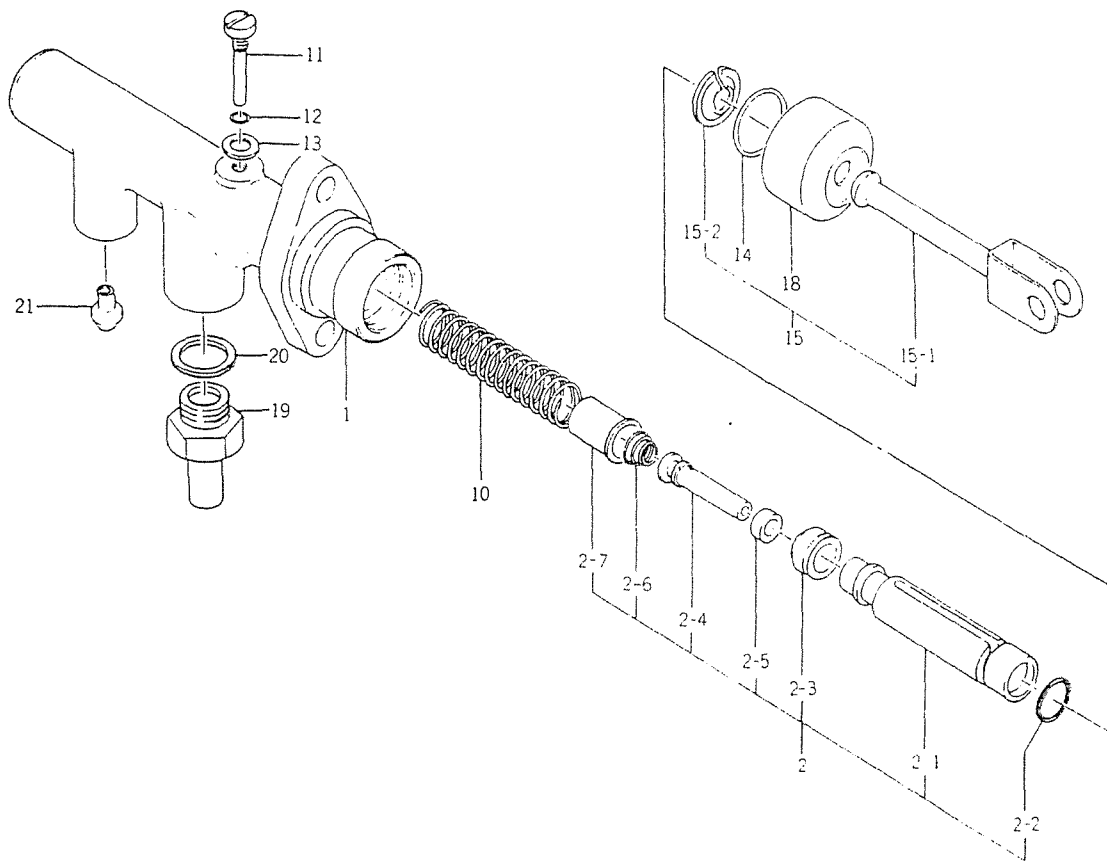
SHAFT-PROPELLER



REF. NO.	PART NO.	PART NAME	Q'ty	SUPP. CODE	NOTE
1	109-11401001	YOKE-FLANGE	2		
2	109-10606011	SPIDER ASSY	2		
- 1	109-10711001	NIPPLE-GREASE	1		
3	109-14200101	SLEEVE YOKE ASSY	1		
- 1	109-11402001	YOKE-SLEEVE	1		
- 2	109-14202101	PLUG	1		
- 3	109-14203101	COVER-DUST	1		
- 4	109-14204101	RING-FELT	1		
4	001-60101001	NIPPLE-GREASE	1		
5	109-19705001	SHAFT ASSY	1		

309-43700001

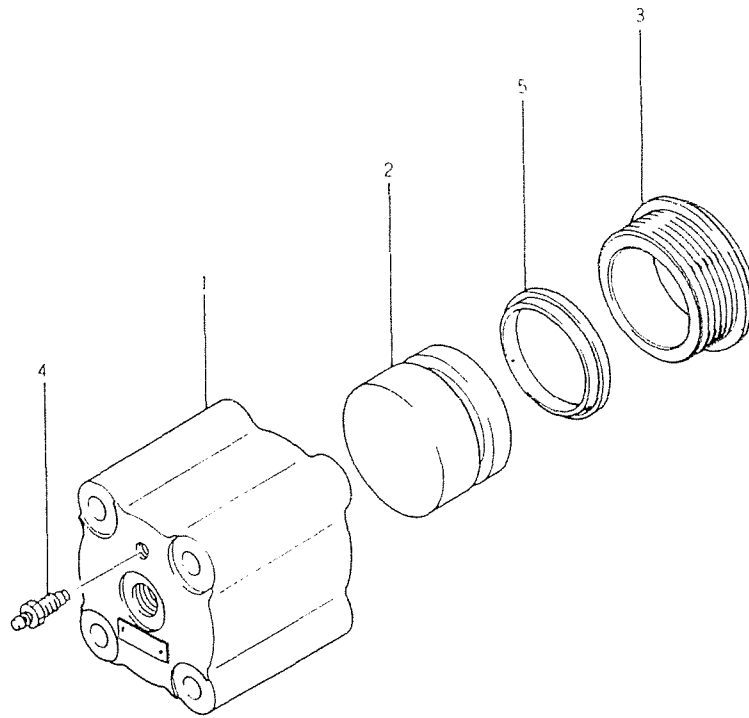
CYLINDER-MASTER



REF. NO.	PART NO.	PART NAME	Q'ty	SUPP. CODE	NOTE
	309-43790001	REPAIR KIT	1		
1	309-41001011	BODY-CYLINDER	1		
2	309-43700101	PISTON ASSY	1	R	
- 1	309-41205001	PISTON	1	R	
- 2	309-43704001	O-RING	1	R	
- 3	309-41023013	P-CUP	1	R	
- 4	309-41007001	ROD-VALVE	1	R	
- 5	309-41008013	CUP-VALVE	1	R	
- 6	309-41009001	SPRING-VALVE	1	R	
- 7	309-41010001	THIMBLE	1	R	
10	309-41011001	SPRING	1	R	
11	309-41015001	PIN-GUIDE	1		
12	309-41017013	GASKET	1	R	
13	309-41016001	GASKET	1	R	
14	309-41003001	WIRE-STOP	1	R	
15	309-43700201	PUSH ROD ASSY	1		
- 1	309-41022001	ROD-PUSH	1		X
- 2	309-41004001	PLATE-STOP	1		X
18	309-41202001	BOOT	1	R	
19	309-43719001	CONNECTOR	1		
20	309-43720001	GASKET	1		
21	309-41018001	SEAT-PIPE	1		X

309-6320002

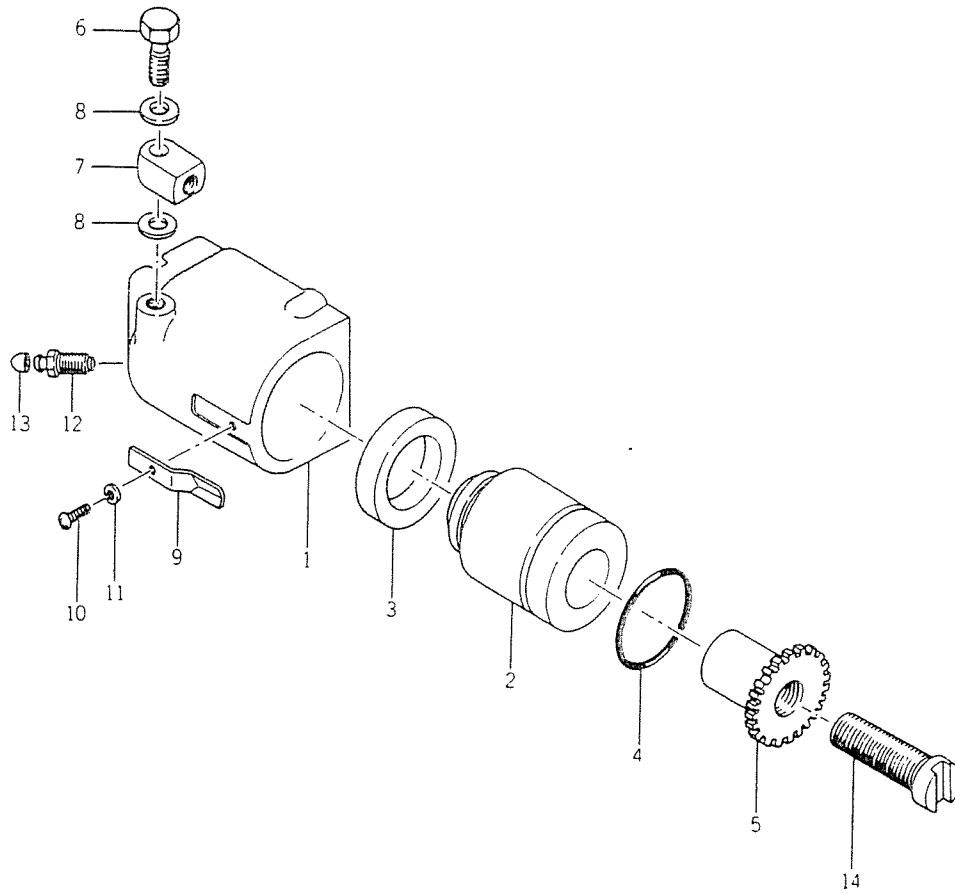
CYLINDER-POWER



REF. NO.	PART NO.	PART NAME	Q'ty	SUPP. CODE	NOTE
1	309-63201002	CYLINDER	1		
2	309-63202002	PISTON	1		
3	309-63203002	STOPPER	1		
4	629-56157001	SCREW-BLEEDER	1		
5	309-63205001	U-PACKING	1		

309-64700001

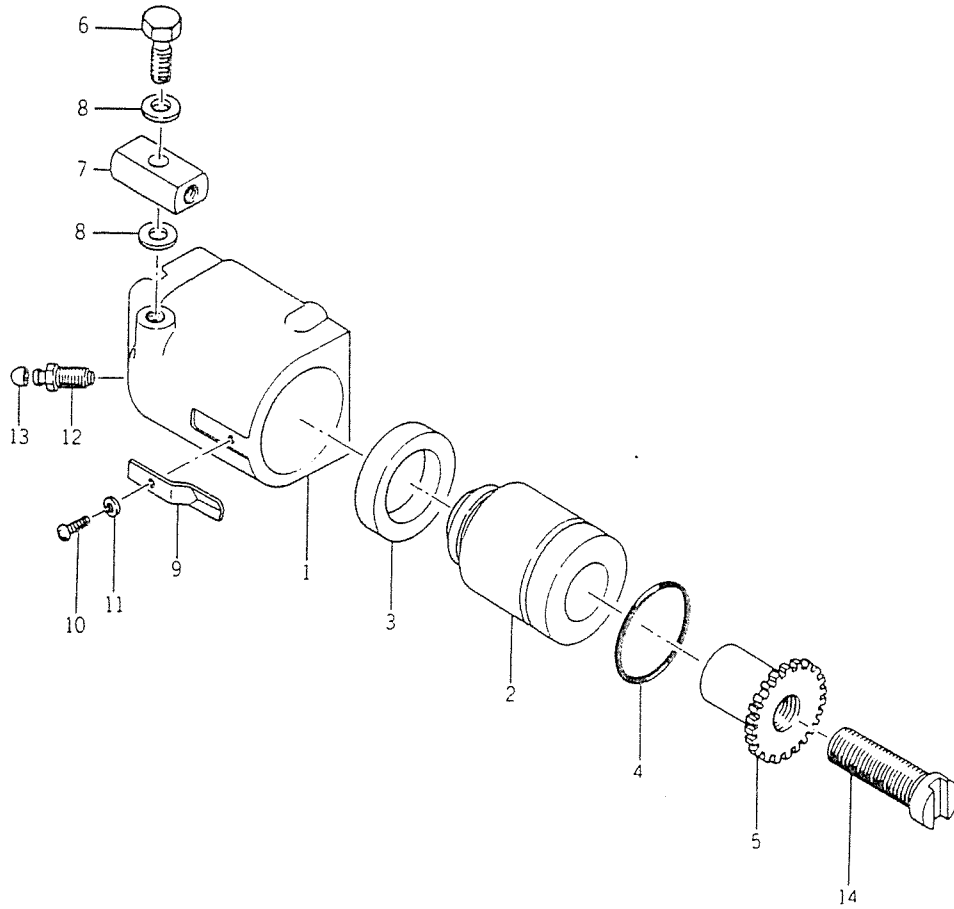
CYLINDER-POWER (CLUTCH)



REF. NO.	PART NO.	PART NAME	Q'ty	SUPP. CODE	NOTE
	309-50790001	REPAIR KIT	1		
1	309-64701001	BODY-CYLINDER	1		
2	309-50702011	PISTON	1		
3	309-50703001	CUP-PISTON	1	R	
4	309-50704001	O-RING	1	R	
5	309-50705011	ADJUSTER	1		
6	309-50113001	BOLT-UNION	1		
7	309-50112001	UNION (A)	1		
8	309-50114001	GASKET	2	R	
9	309-50109001	SPRING-LOCK	1		
10	309-50110001	SCREW	1		
11	309-50111001	WASHER-SPRING	1		
12	309-50107001	SCREW-BLEEDER	1		
13	309-50108001	CAP-BLEEDER	1	R	
14	309-50714011	SCREW-ADJUSTER	1		

309-64800001

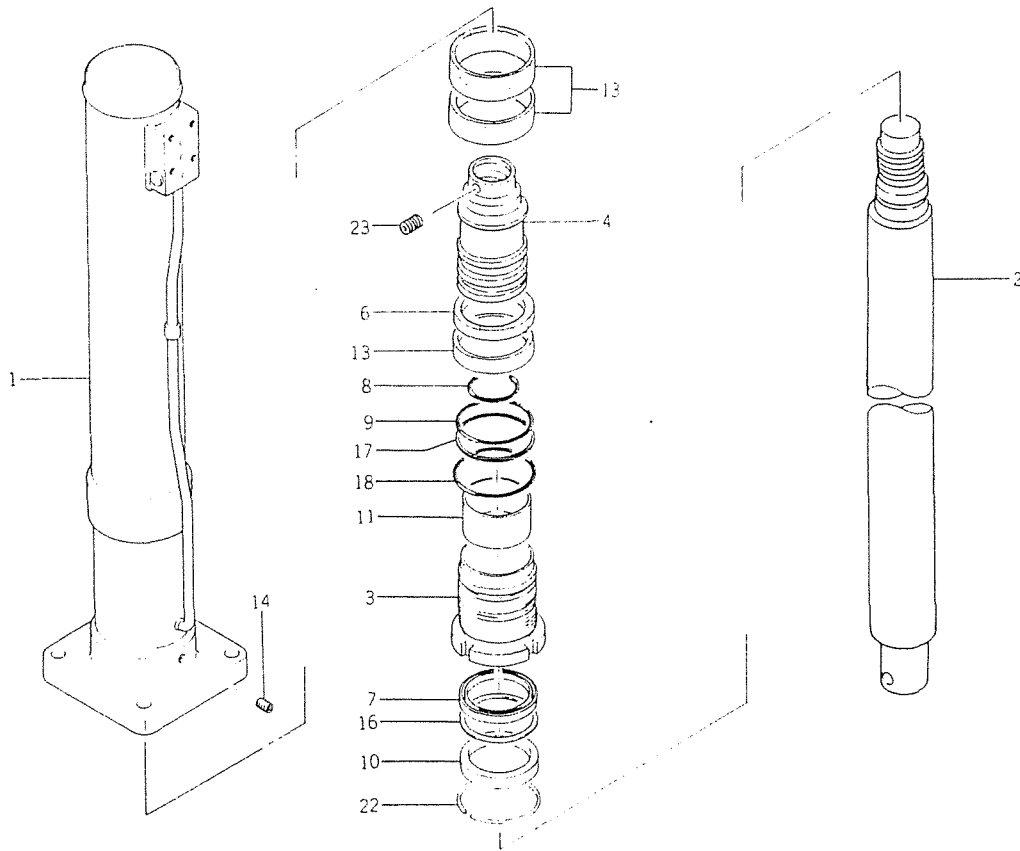
CYLINDER-POWER (CLUTCH)



REF. NO.	PART NO.	PART NAME	Q'ty	SUPP. CODE	NOTE
	309-50790001	REPAIR KIT	1		
1	309-64701001	BODY-CYLINDER	1		
2	309-50702011	PISTON	1		
3	309-50703001	CUP-PISTON	1	R	
4	309-50704001	O-RING	1	R	
5	309-50705011	ADJUSTER	1		
6	309-50113001	BOLT-UNION	1		
7	309-50807001	UNION (B)	1		
8	309-50114001	GASKET	2	R	
9	309-50109001	SPRING-LOCK	1		
10	309-50110001	SCREW	1		
11	309-50111001	WASHER-SPRING	1		
12	309-50107001	SCREW-BLEEDER	1		
13	309-50108001	CAP-BLEEDER	1	R	
14	309-50714011	SCREW-ADJUSTER	1		

309-66000003

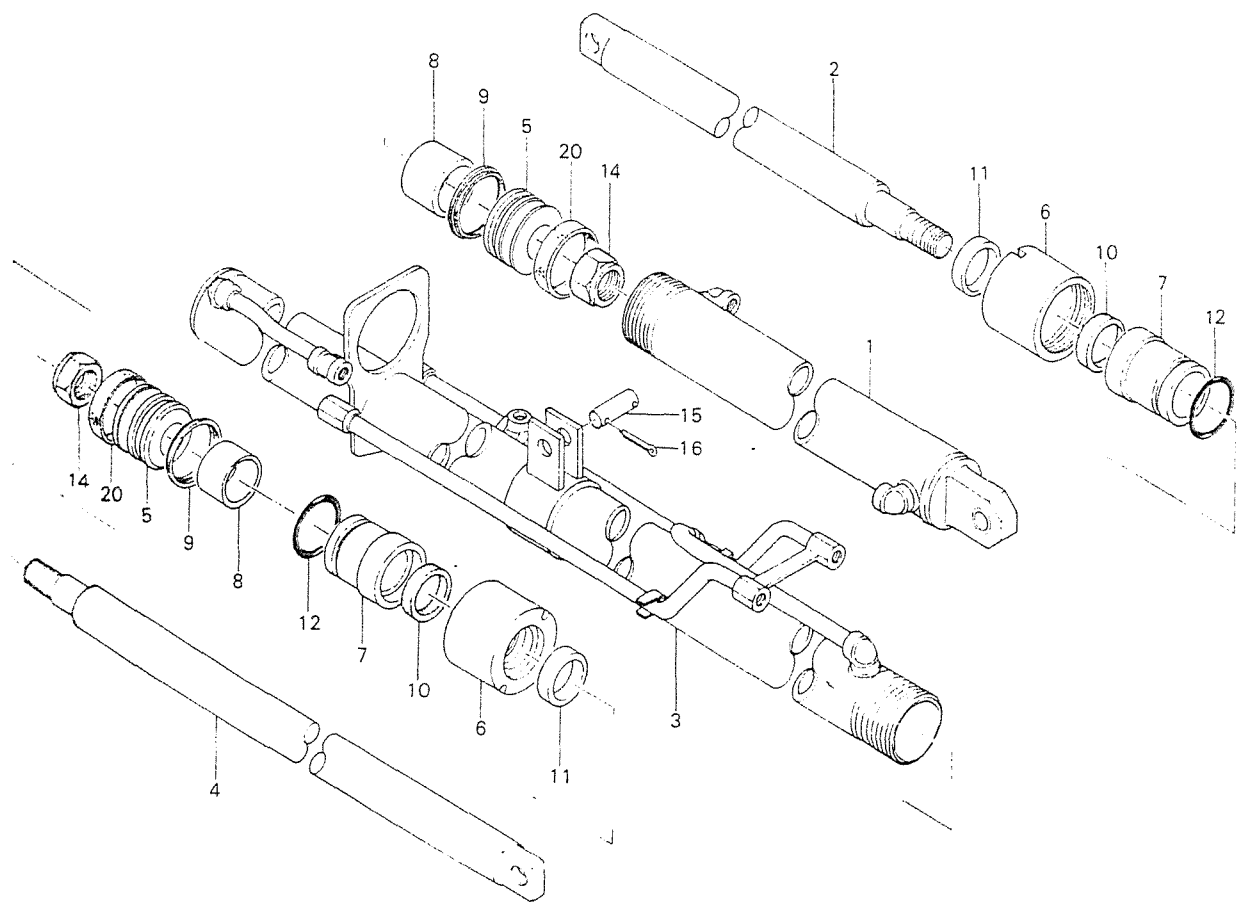
CYLINDER-FRONT JACK



REF. NO.	PART NO.	PART NAME	Q'ty	SUPP. CODE	NOTE
1	329-51690001	SEAL KIT	1		
1	309-66001003	CYLINDER	1		
2	309-66002003	ROD	1		
3	309-66003020	COVER-ROD	1		
4	309-66004020	PISTON	1		
6	329-92006001	PACKING	1	S	
7	309-56423001	PACKING-ROD	1	S	
8	009-46002055	O-RING	1	S	
9	009-46002095	O-RING	1	S	
10	309-85209000	SEAL-DUST	1	S	
11	009-25080040	BEARING-DRY	1		
13	309-32714005	RING-WEAR	3	S	
14	309-58916003	SCREW-SET	1		
16	309-56434001	RING-BACK UP	1	S	
17	309-66021020	RING-BACK UP	1	S	
18	309-58920003	O-RING	1	S	
22	009-39809500	CIR CLIP	1		
23	309-66220001	SCREW-SET	1		

309-69300002

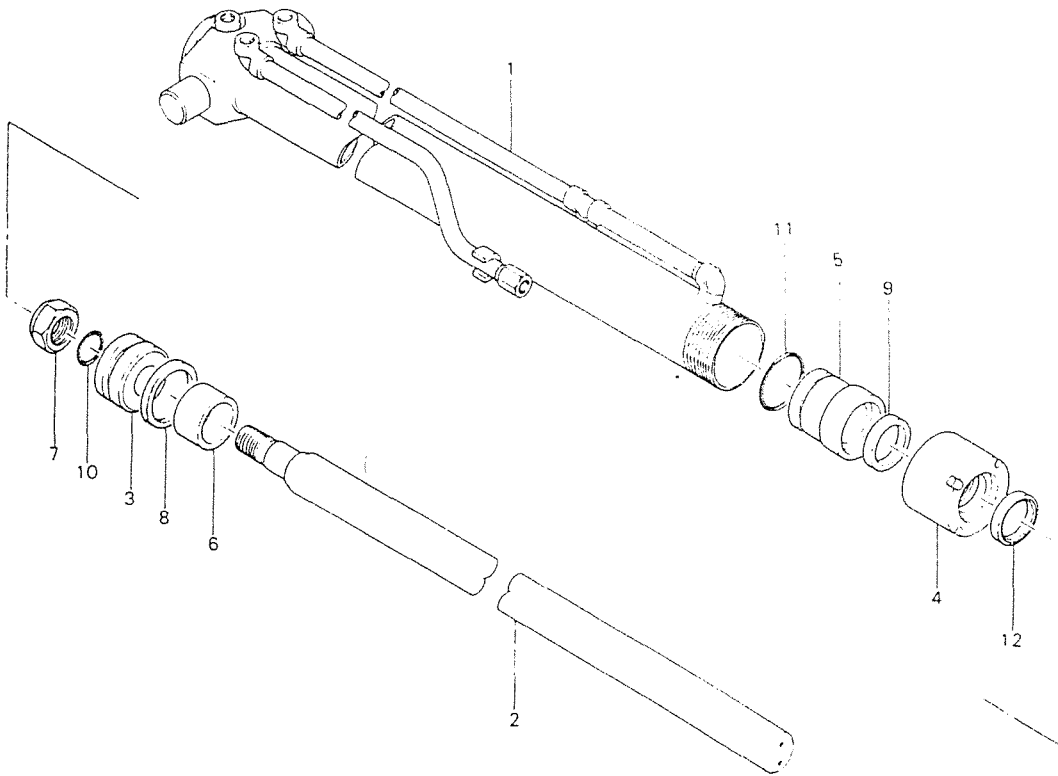
CYLINDER-HORIZONTAL



REF. NO.	PART NO.	PART NAME	Q'ty	SUPP. CODE	NOTE
	309-69390002	SEAL KIT	1		
1	309-69301001	CYLINDER (A)	1		
2	309-69302001	ROD (A)	1		
3	309-69303002	CYLINDER (B)	1		
4	309-69304001	ROD (B)	1		
5	309-93903013	PISTON	2		
6	309-93804001	CAP-CYLINDER	2		
7	309-93805001	BUSHING-GUIDE	2		
8	309-93806001	PIECE-DISTANCE	2		
9	309-66908001	PACKING-PISTON	2	S	
10	309-57209001	PACKING-ROD	2	S	
11	309-66912001	SEAL-DUST	2	S	
12	009-46002055	O-RING	2	S	
14	309-67107001	U-NUT	2		
15	309-69315001	PIN	1		
16	309-67018001	PIN-SPLIT	2		
20	309-93910013	RING-WEAR	1	S	

309-69700001

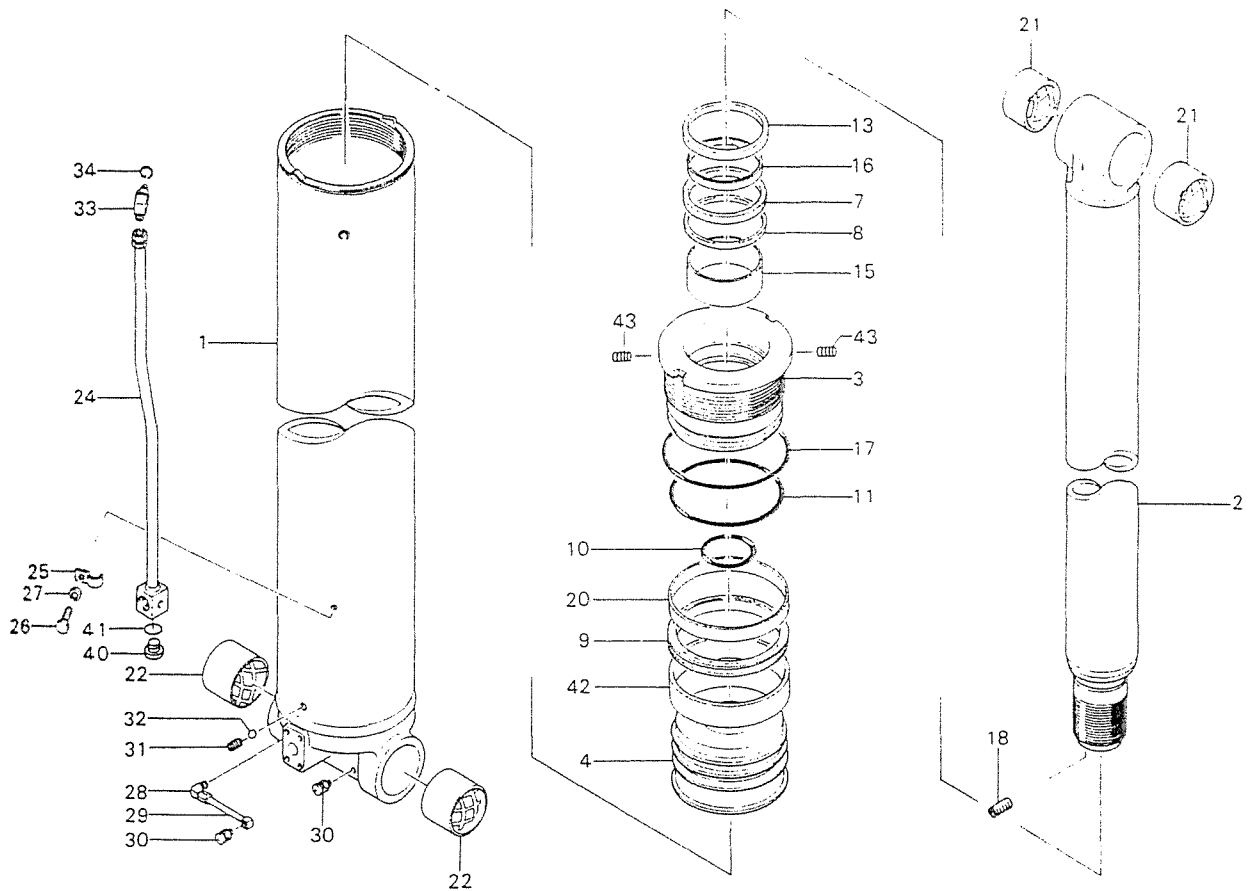
CYLINDER-HORIZONTAL



REF. NO.	PART NO.	PART NAME	Q'ty	SUPP. CODE	NOTE
	309-66990001	SEAL KIT	1		
1	309-69701001	CYLINDER	1		
2	309-69702001	ROD	1		
3	309-66903001	PISTON	1		
4	309-93804001	CAP-CYLINDER	1		
5	309-93805001	BUSHING-GUIDE	1		
6	309-66906001	PIECE-DISTANCE	1		
7	309-67107001	U-NUT	1		
8	309-66908001	PACKING-PISTON	1	S	
9	309-57209001	PACKING-ROD	1	S	
10	001-36120260	O-RING	1	S	
11	009-46002055	O-RING	1	S	
12	309-66912001	SEAL-DUST	1	S	

309-82100006

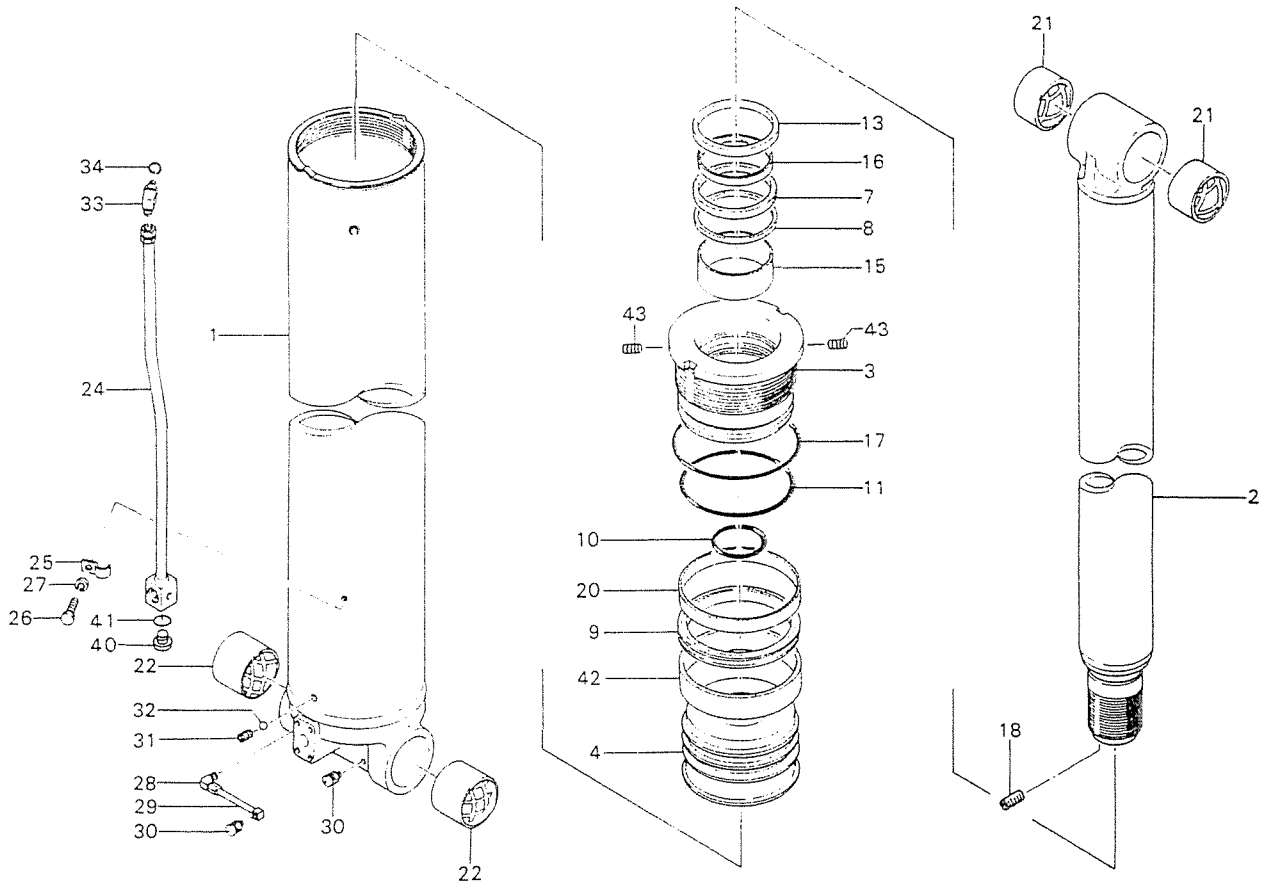
CYLINDER-DERRICK



REF. NO.	PART NO.	PART NAME	Q'ty	SUPP. CODE	NOTE
	309-99590005	SEAL KIT	1		
1	309-82101005	CYLINDER	1		
2	309-82102005	ROD	1		
3	329-31803002	COVER-ROD	1		
4	329-31404001	PISTON	1		
5	309-31505010	NUT	1		
7	309-52407001	PACKING	1	S	
8	329-31408001	RING-BUFFER	1	S	
9	329-31409001	PACKING	1	S	
10	009-46002150	O-RING	1	S	
11	001-36122850	O-RING	1	S	
13	309-52413001	SEAL-DUST	1	S	
15	329-31415000	BEARING-DRY	1		
16	309-99513005	RING-SLIDE	1		
17	309-82117001	O-RING	1	S	
18	309-80015002	SCREW-SET	1		
20	309-31529010	RING-WEAR	1	S	
21	329-31421000	BUSHING	2		
22	329-32004001	BUSHING	2		
24	309-82124005	PIPE	1		
25	309-81732001	CLAMP-PIPE	2		
26	001-10308016	BOLT	2		
27	001-12108002	WASHER-SPRING	2		

309-82100006

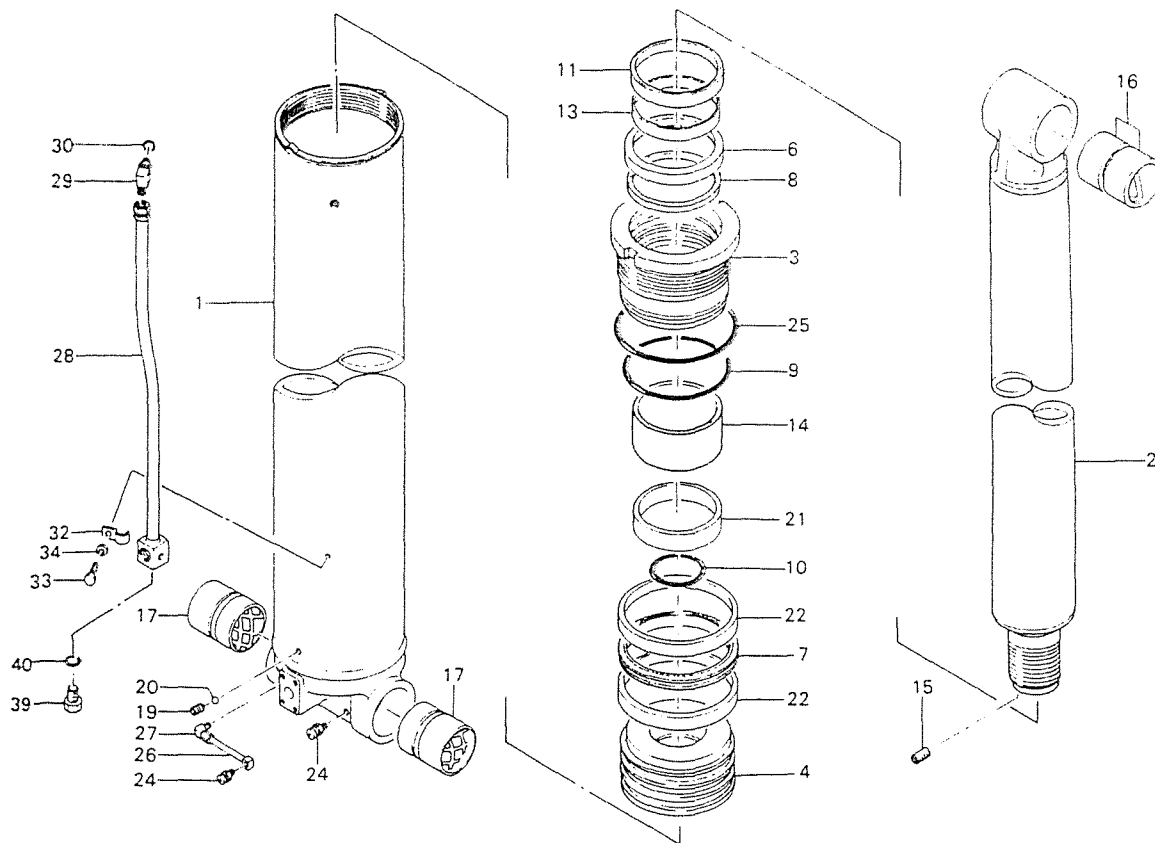
CYLINDER-DERRICK



REF. NO.	PART NO.	PART NAME	Q'ty	SUPP. CODE	NOTE
28	309-81327000	ELBOW	1		
29	329-32006001	PIPE	1		
30	001-60101002	NIPPLE-GREASE	2		
31	309-52320001	SCREW-SET	1		
32	309-72330001	BALL-STEEL	1		
33	309-81729001	ELBOW	1		
34	001-36120180	O-RING	1	S	
40	309-90523004	PLUG	1		
41	001-36120110	O-RING	1		
42	309-82311002	RING-WEAR	1		
43	309-46123001	SCREW-SET	2		

309-82200003

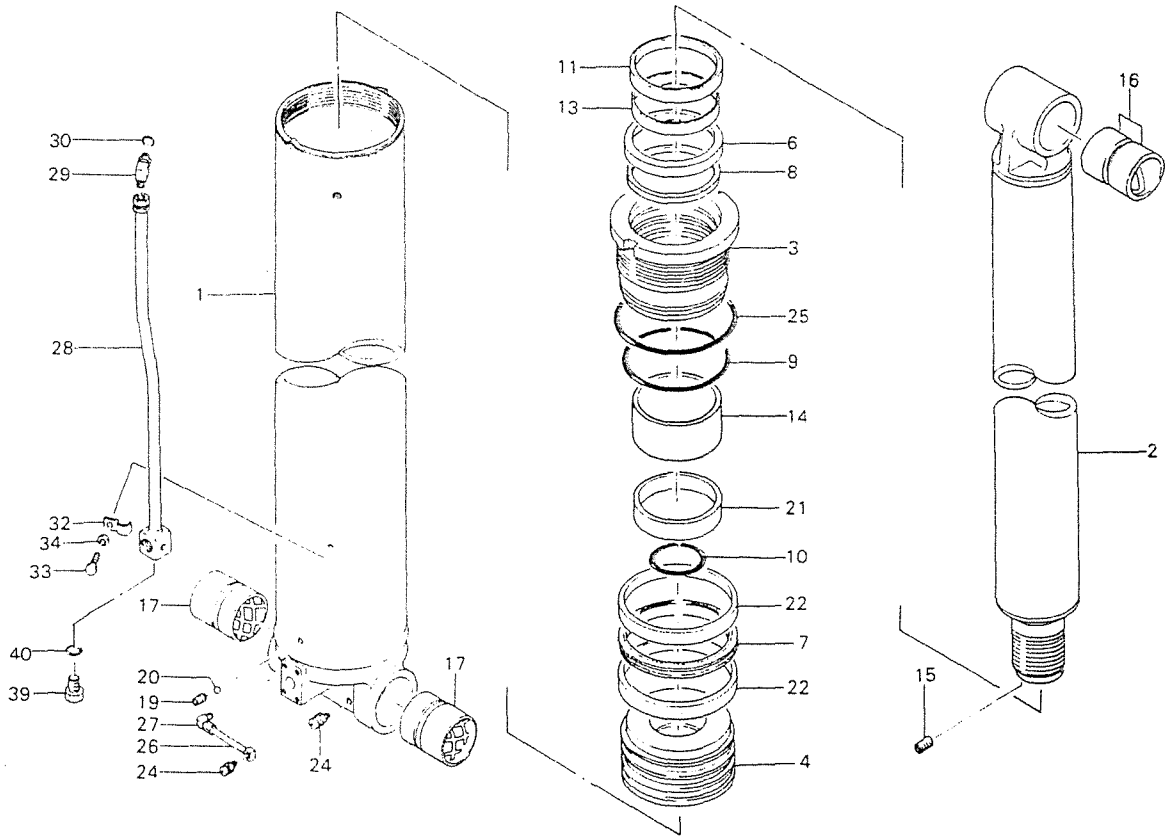
CYLINDER-DERRICK



REF.NO.	PART NO.	PART NAME	Q'ty	SUPP. CODE	NOTE
	329-32090001	SEAL KIT	1		
1	309-82201003	CYLINDER	1		
2	309-82202003	ROD	1		
3	329-32103000	COVER-ROD	1		
4	329-30304002	PISTON	1		
6	309-30906001	PACKING	1	S	
7	329-32107000	PACKING	1	S	
8	329-31008003	RING-BUFFER	1	S	
9	009-46002250	O-RING	1	S	
10	009-46002140	O-RING	1	S	
11	309-30911001	SEAL-DUST	1	S	
13	329-31013003	RING-SLIDE	1		
14	309-81911002	BEARING-DRY	1		
15	309-80015002	SCREW-SET	1		
16	329-32116000	BUSHING	2		
17	329-32004001	BUSHING	2		
19	309-52320001	SCREW-SET	1		
20	309-72330001	BALL-STEEL	1		
21	309-82221002	PIPE-DISTANCE	1		
22	309-30923011	RING-WEAR	2	S	
24	001-60101002	NIPPLE-GREASE	2		
25	009-46401052	O-RING	1	S	
26	329-32006001	PIPE	1		
27	309-81327000	ELBOW	1		

309-82200003

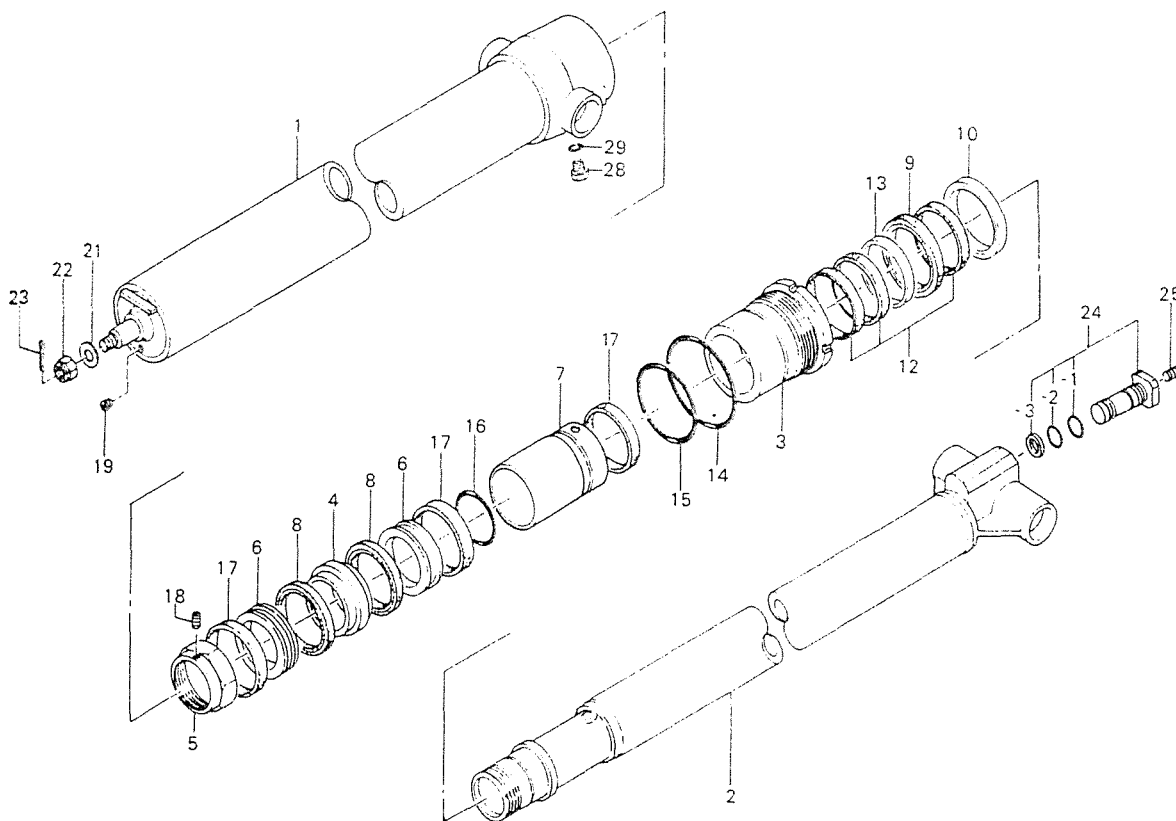
CYLINDER-DERRICK



REF. NO.	PART NO.	PART NAME	Q'ty	SUPP. CODE	NOTE
28	309-82228001	PIPE	1	S	
29	309-81729001	ELBOW	1		
30	001-36120180	O-RING	1		
32	309-81732001	CLAMP-PIPE	2		
33	001-10308016	BOLT	2		
34	001-12108002	WASHER-SPRING	2		
39	309-90523004	PLUG	1		
40	001-36120110	O-RING	1		

309-86600004

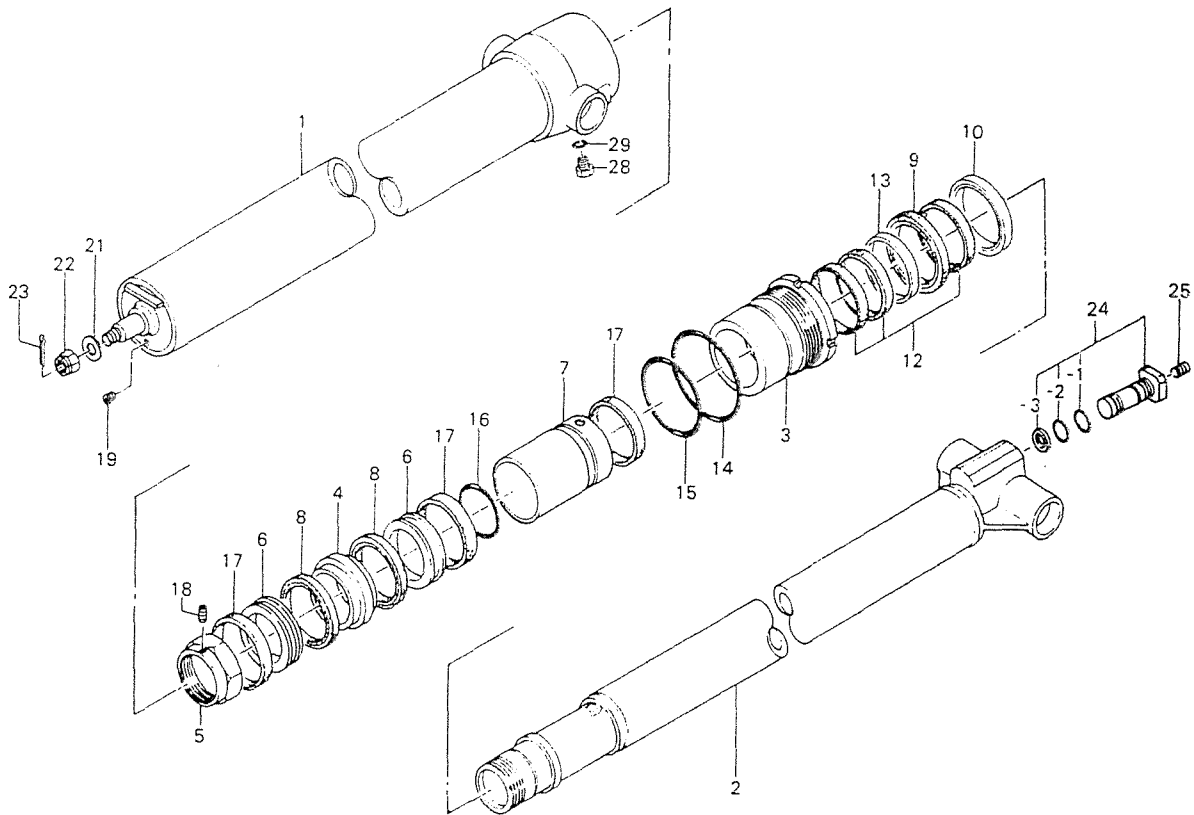
CYLINDER-TELESCOPIC



REF. NO.	PART NO.	PART NAME	Q'ty	SUPP. CODE	NOTE
	309-85990001	SEAL KIT	1		
1	309-86601004	CYLINDER	1		
2	309-86602004	ROD	1		
3	309-85903003	COVER-ROD	1		
4	309-85904001	PISTON	1		
5	309-85905001	NUT	1		
6	309-85906001	STOPPER-PACKING	2		
7	309-85907003	PIPE-DISTANCE	1		
8	309-31607001	PACKING	2	S	
9	309-85307001	PACKING	1	S	
10	309-55814001	SEAL-DUST	1	S	
12	309-99812000	RING-WEAR	3		
13	309-85308001	RING-SEAL	1	S	
14	009-46401037	O-RING	1	S	
15	009-46002145	O-RING	1	S	
16	009-46002100	O-RING	1	S	
17	309-54514002	RING-WEAR	3	S	
18	001-10810102	SCREW-SET	1		
19	309-86719003	PLUG	1		
21	309-85125001	WASHER	1		
22	309-84430001	NUT-CASTLE	1		
23	309-85525003	PIN-SPLIT	1		
24	639-46800004	HOLDING VALVE ASSY	1		
- 1	019-36120390	O-RING	1		
- 2	019-36120320	O-RING	1		
- 3	001-37103202	RING-BACK UP	1		

309-86600004

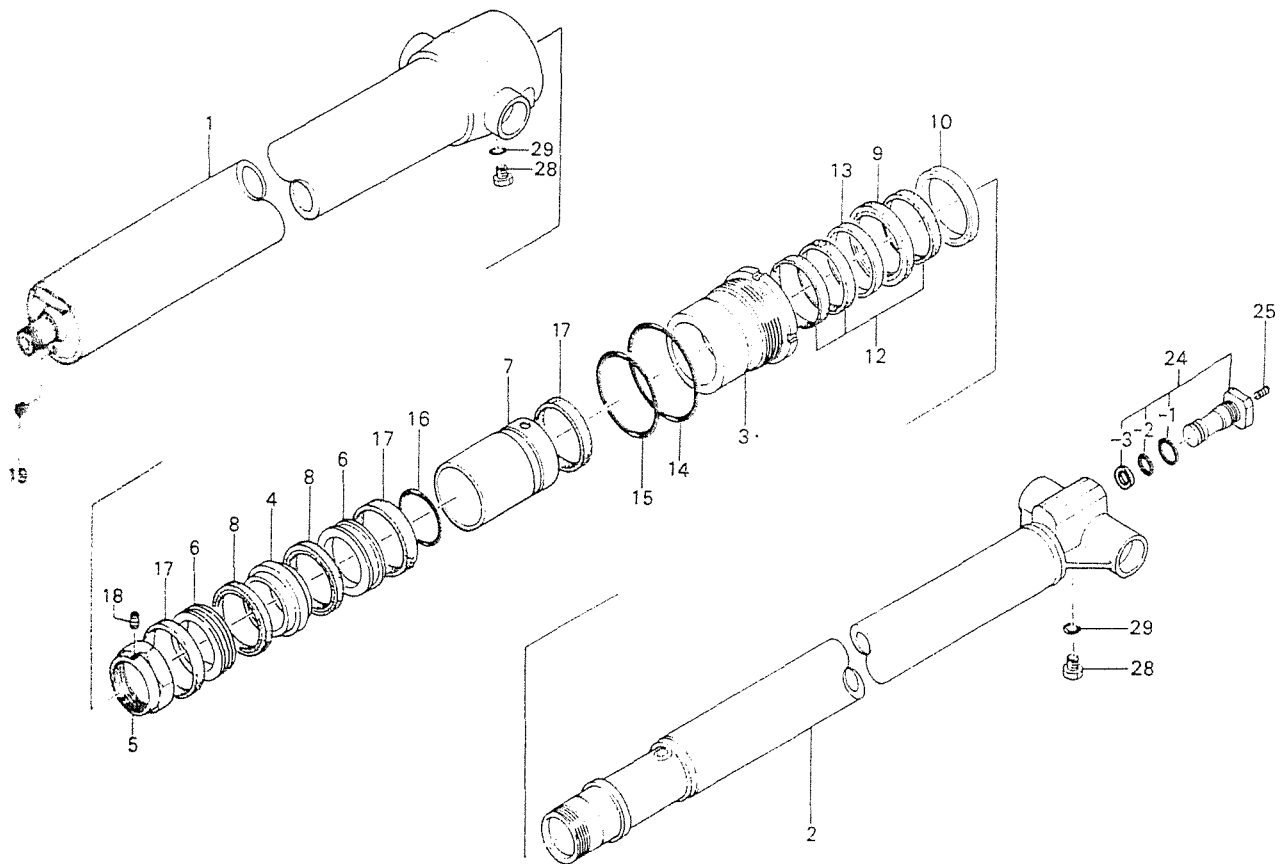
CYLINDER-TELESCOPIC



REF. NO.	PART NO.	PART NAME	Q'ty	SUPP. CODE	NOTE
25	309-32339012	SCREW-SET	1		
28	001-65306000	PLUG	1		
29	001-36120140	O-RING	1		

309-86700011

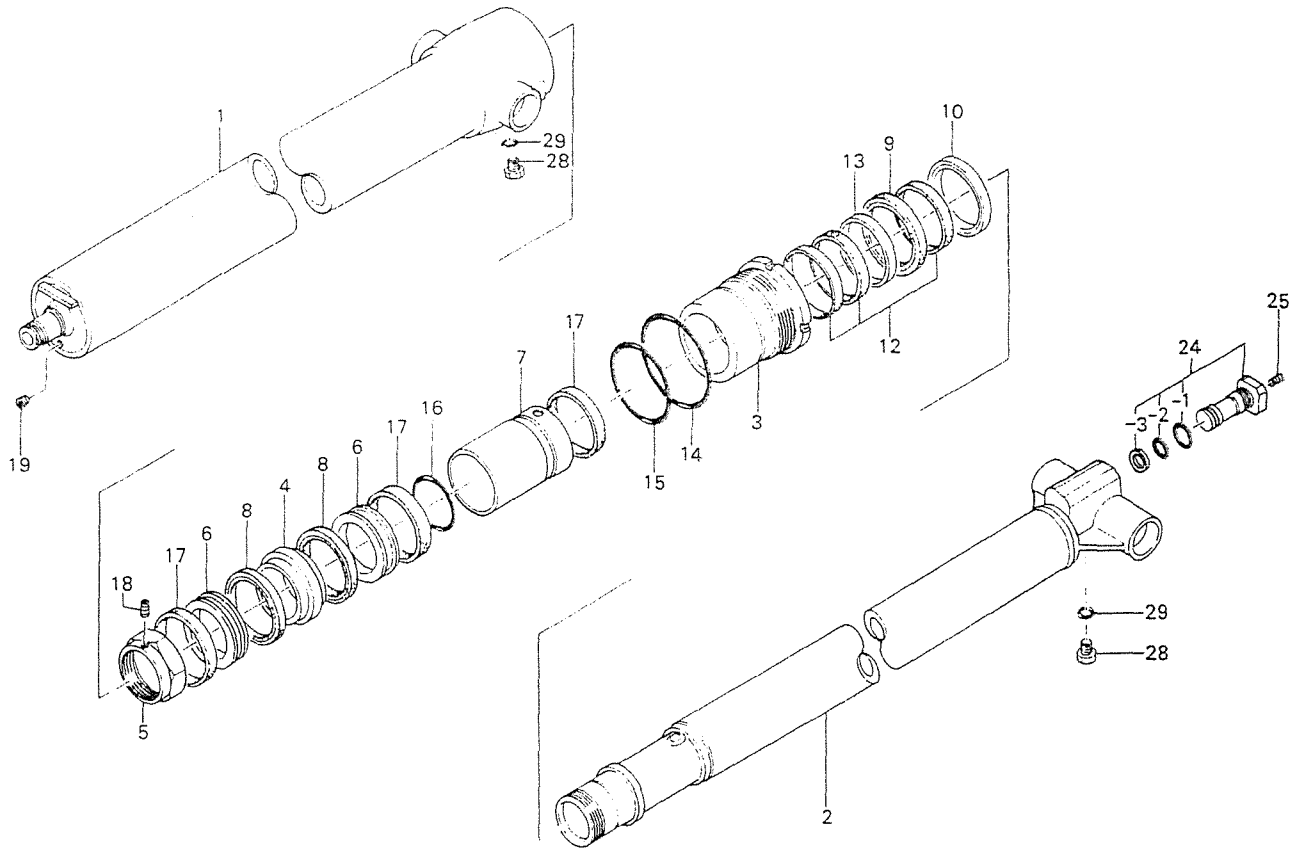
CYLINDER-TELESCOPIC



REF. NO.	PART NO.	PART NAME	Q'ty	SUPP. CODE	NOTE
	309-85990001	SEAL KIT	1		
1	309-86701011	CYLINDER	1		
2	309-86702007	ROD	1		
3	309-99603001	COVER-ROD	1		
4	309-85904001	PISTON	1		
5	309-85905001	NUT	1		
6	309-85906001	STOPPER-PACKING	2		
7	309-85907003	PIPE-DISTANCE	1		
8	309-31607001	PACKING	2	S	
9	309-85307001	PACKING	1	S	
10	309-55814001	SEAL-DUST	1	S	
12	309-99812000	RING-WEAR	3		
13	309-85308001	RING-SEAL	1	S	
14	009-46401037	O-RING	1	S	
15	009-46002145	O-RING	1	S	
16	009-46002100	O-RING	1	S	
17	309-54514002	RING-WEAR	3	S	
18	001-10810102	SCREW-SET	1		
19	309-86719003	PLUG	1		
24	639-46800004	HOLDING VALVE ASSY	1		
- 1	019-36120390	O-RING	1		
- 2	019-36120320	O-RING	1		
- 3	001-37103202	RING-BACK UP	1		
25	309-32339012	SCREW-SET	1		

309-86700011

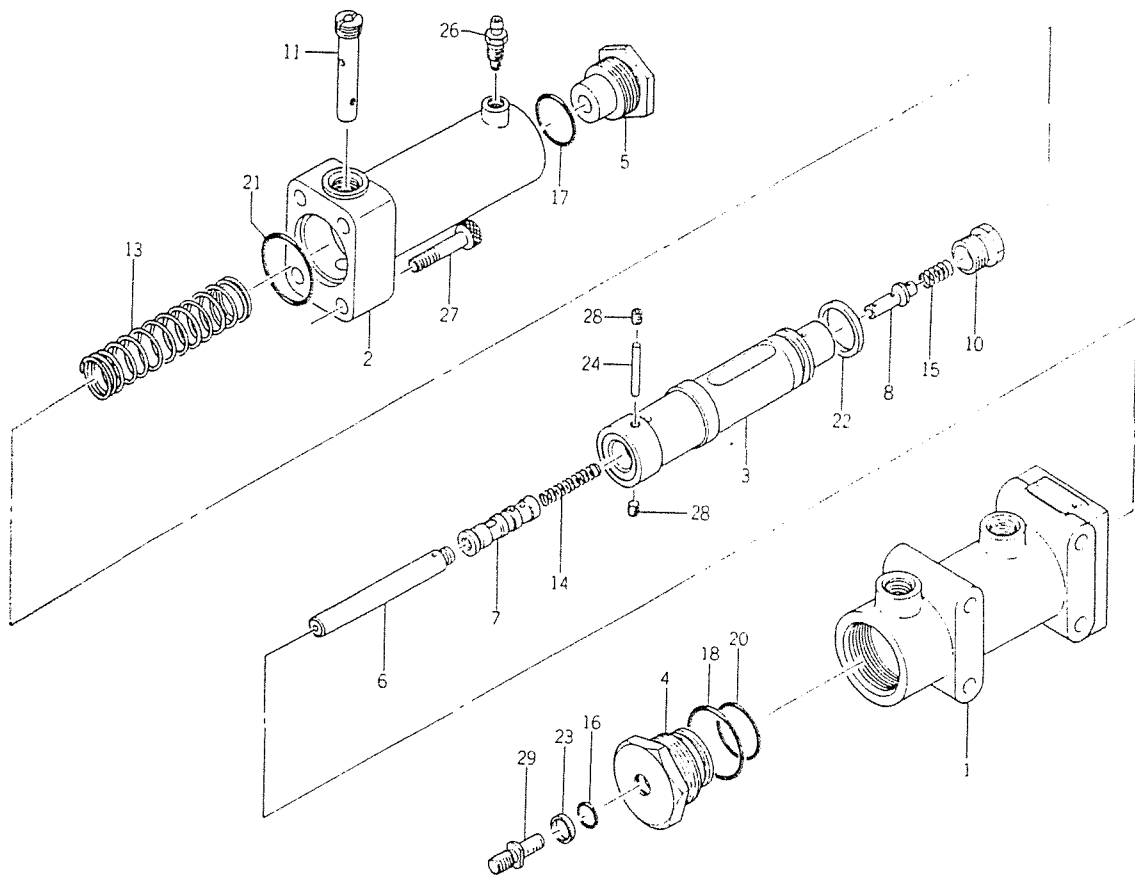
CYLINDER-TELESCOPIC



REF. NO.	PART NO.	PART NAME	Q'ty	SUPP. CODE	NOTE
28	001-65306000	PLUG	1		
29	001-36120140	O-RING	1		

309-88500021

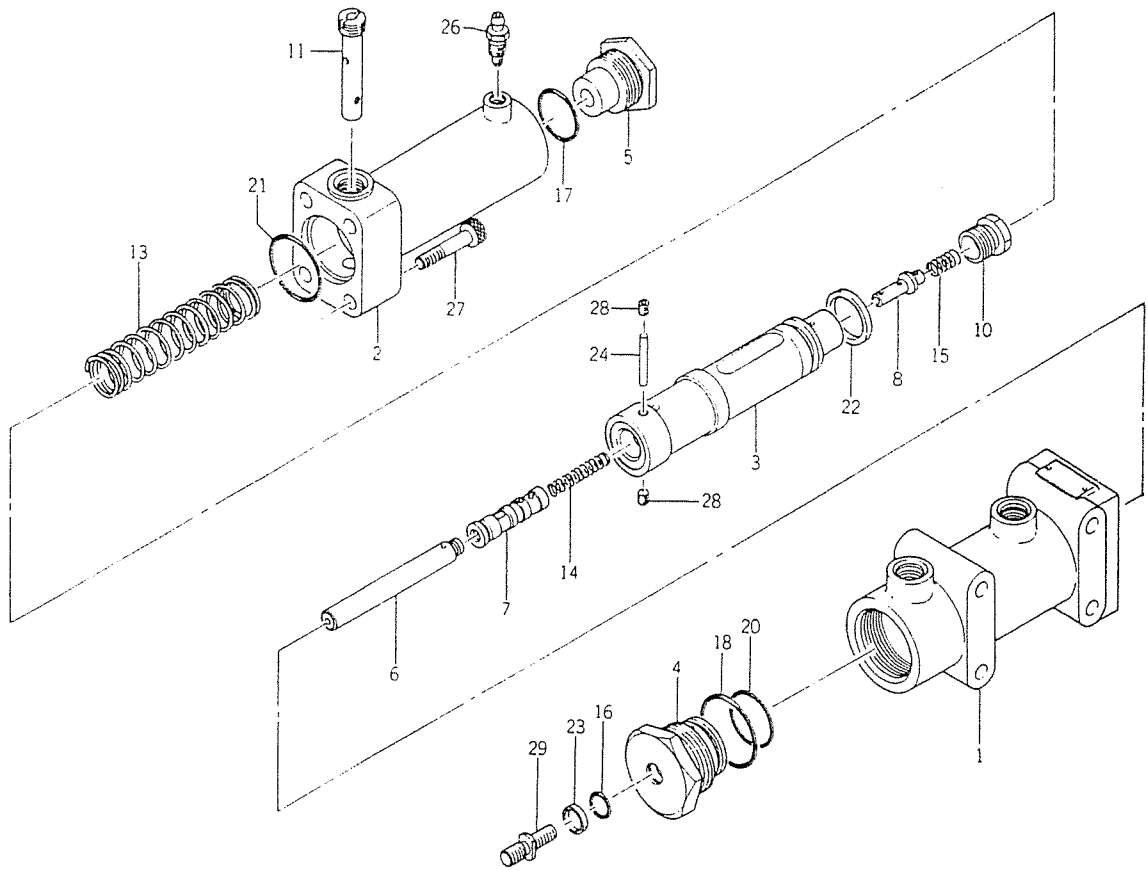
CYLINDER-SERVO MASTER



REF. NO.	PART NO.	PART NAME	Q'ty	SUPP. CODE	NOTE
1	309-88501011	BODY (A)	1		
2	309-88502011	BODY (B)	1		
3	309-88503001	PISTON-MAIN	1		
4	309-88504021	PLUG-FRONT	1		
5	309-88505011	PLUG-REAR	1		
6	309-88506021	ROD-PUSH	1		
7	309-88507001	SPOOL	1		
8	309-88508001	PLUNGER	1		
10	309-88510001	PLUG	1		
11	309-88511001	STOPPER	1		
13	309-88513001	SPRING	1		
14	309-88514001	SPRING	1		
15	639-49122001	SPRING	1		
16	001-36110180	O-RING	1		
17	001-36120310	O-RING	1		
18	001-36120380	O-RING	1		
20	009-46001030	O-RING	1		
21	009-46001040	O-RING	1		
22	309-88522001	PACKING	1		
23	309-88523021	SEAL-DUST	1		
24	309-88524011	PIN-SPRING	1		
26	639-49517001	SCREW-BLEEDER	1		
27	001-10510045	BOLT-HEXAGON SOCKET	4		
28	309-88528011	SCREW-SET	2		

309-88500021

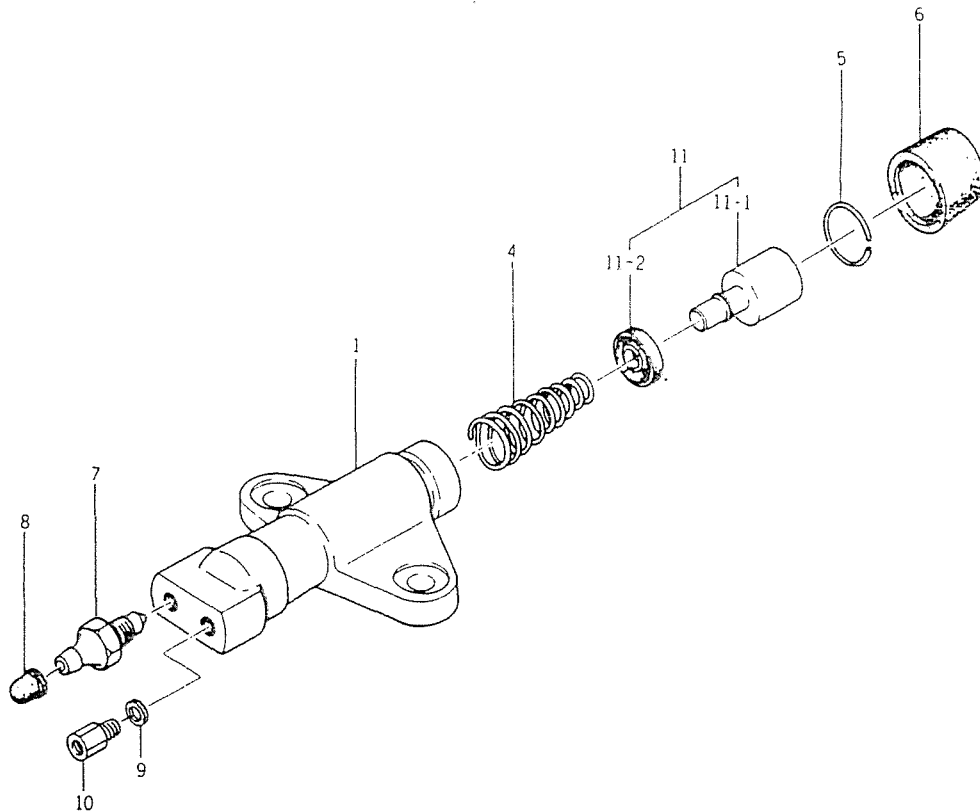
CYLINDER-SERVO MASTER



REF. NO.	PART NO.	PART NAME	Q'ty	SUPP. CODE	NOTE
29	309-88529021	SCREW-STOPPER	1		

309-88700001

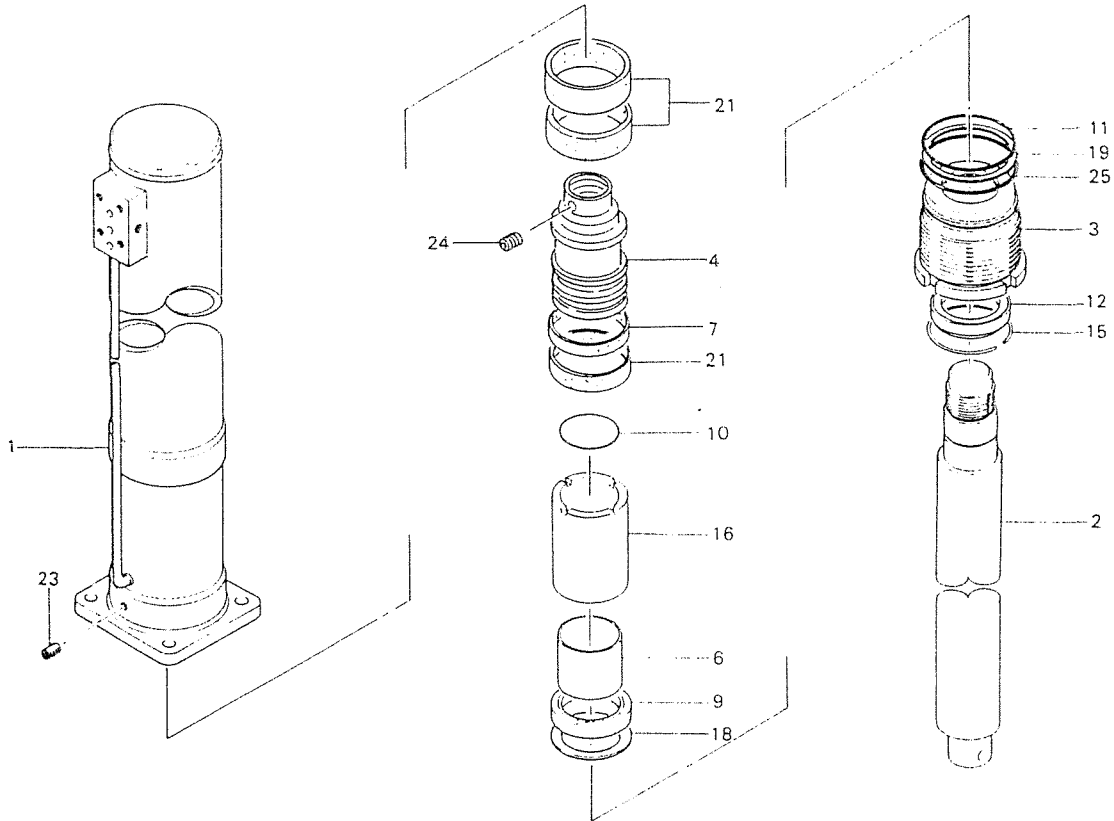
CYLINDER-POWER



REF. NO.	PART NO.	PART NAME	Q'ty	SUPP. CODE	NOTE
1	309-88790001	REPAIR KIT	1		
	309-43801001	CYLINDER	1		
4	309-44006011	SPRING	1	R	
5	309-49303001	WIRE-STOP	1	R	
6	309-43806001	BOOT	1	R	
7	309-43807001	VALVE-BLEEDER	1		
8	309-44410001	CAP-RUBBER	1		
9	309-43809001	GASKET	1		
10	309-88710001	ADAPTER	1		
11	309-88700101	PISTON ASSY	1	R	
- 1	309-44004011	PISTON	1	R	
- 2	309-43803001	CUP(R)	1	R	

309-90100013

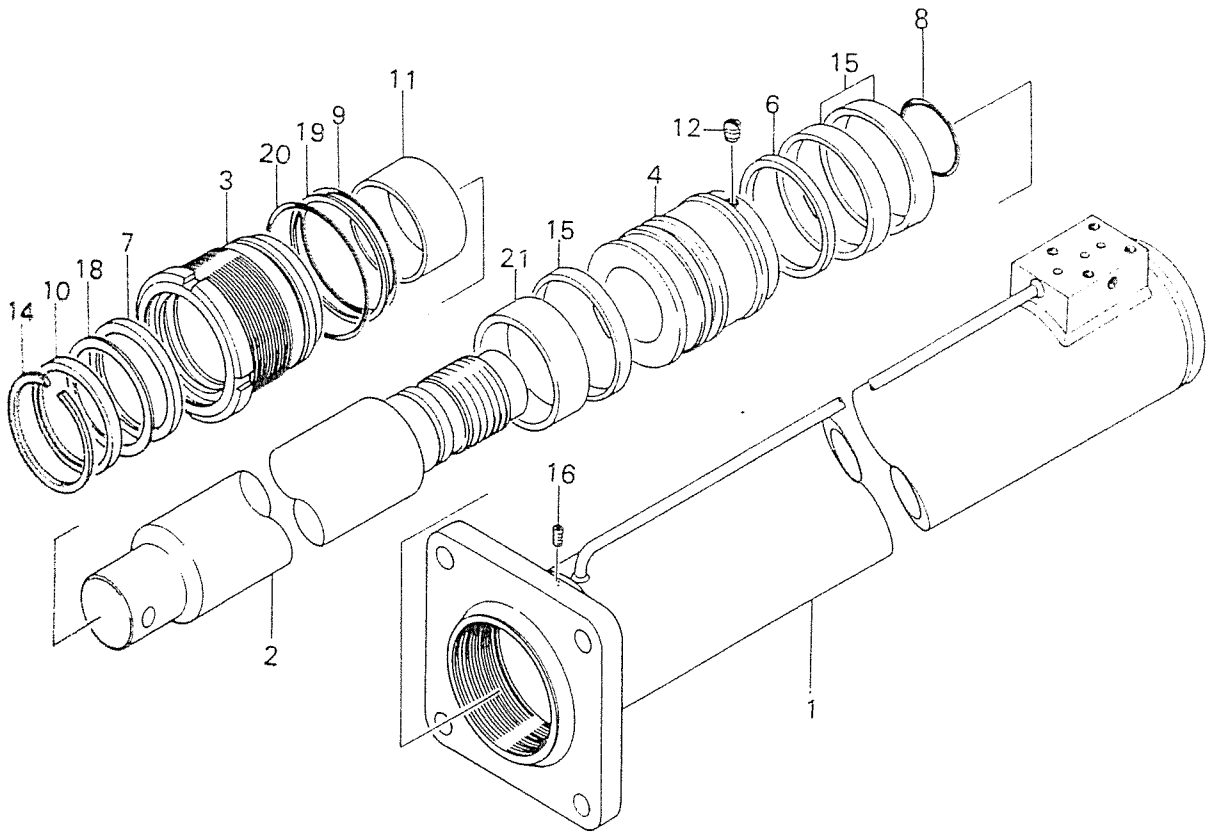
CYLINDER-VERTICAL



REF. NO.	PART NO.	PART NAME	Q'ty	SUPP. CODE	NOTE
	329-53690001	SEAL KIT	1		
1	309-90101013	CYLINDER	1		
2	309-90102013	ROD	1		
3	329-53603001	COVER-ROD	1		
4	329-53604001	PISTON	1		
6	309-48006001	BEARING-DRY	1		
7	329-53624001	PACKING	1	S	
9	309-34509001	PACKING-ROD	1	S	
10	009-46002075	O-RING	1	S	
11	009-46002115	O-RING	1	S	
12	309-90411001	SEAL-DUST	1	S	
15	009-39811500	CIR CLIP	1		
16	309-90116001	PIECE-DISTANCE	1		
18	309-56118002	RING-BACK UP	1	S	
19	329-53614001	RING-BACK UP	1	S	
21	309-32614001	RING-WEAR	3	S	
23	309-58916003	SCREW-SET	1		
24	309-66220001	SCREW-SET	1		
25	309-59920021	O-RING	1	S	

309-90500004

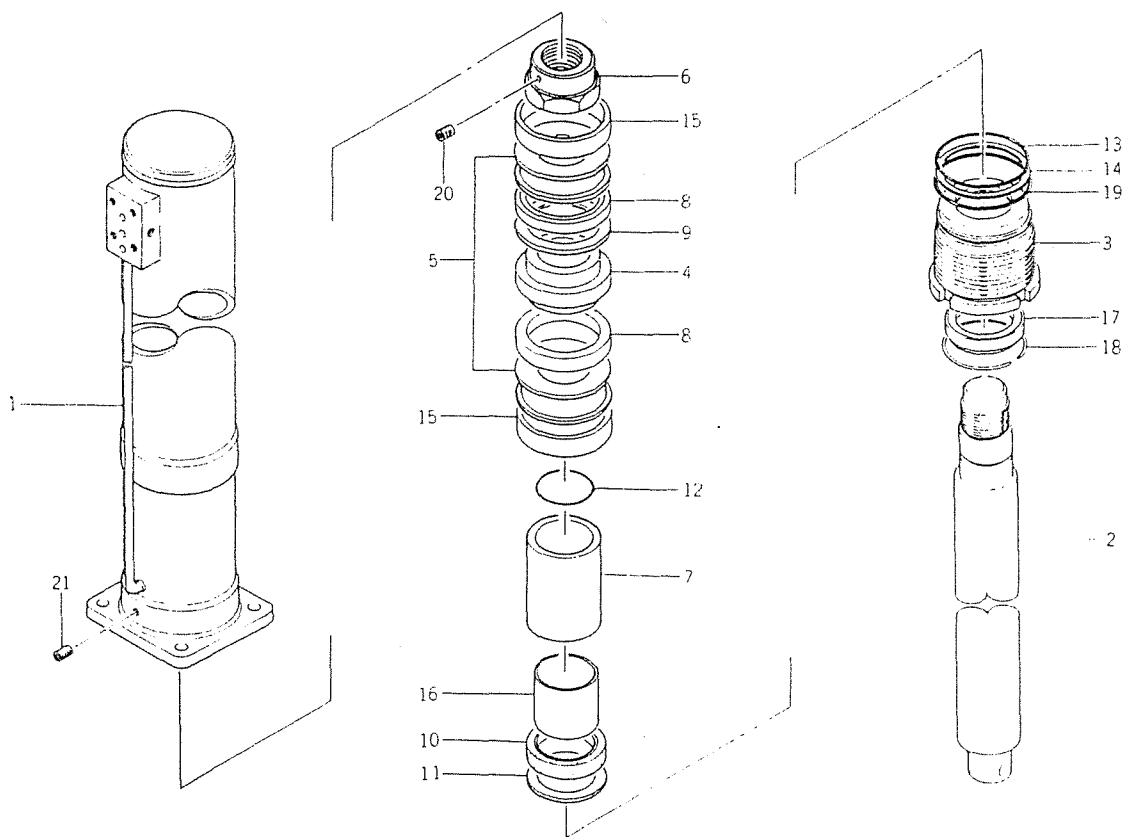
CYLINDER-VERTICAL



REF. NO.	PART NO.	PART NAME	Q'ty	SUPP. CODE	NOTE
	329-51690001	SEAL KIT	1		
1	309-90501004	CYLINDER	1		
2	309-90502004	ROD	1		
3	309-66003020	COVER-ROD	1		
4	309-66004020	PISTON	1		
6	329-92006001	PACKING	1	S	
7	309-56423001	PACKING-ROD	1	S	
8	009-46002055	O-RING	1	S	
9	009-46002095	O-RING	1	S	
10	309-85209000	SEAL-DUST	1	S	
11	009-25080040	BEARING-DRY	1		
12	309-66220001	SCREW-SET	1		
14	009-39809500	CIR-CLIP	1		
15	309-32714005	RING-WEAR	3	S	
16	309-58916003	SCREW-SET	1		
18	309-56434001	RING-BACK UP	1	S	
19	309-66021020	RING-BACK UP	1	S	
20	309-58920003	O-RING	1	S	
21	329-51613001	PIPE-DISTANCE	1		

309-91700001

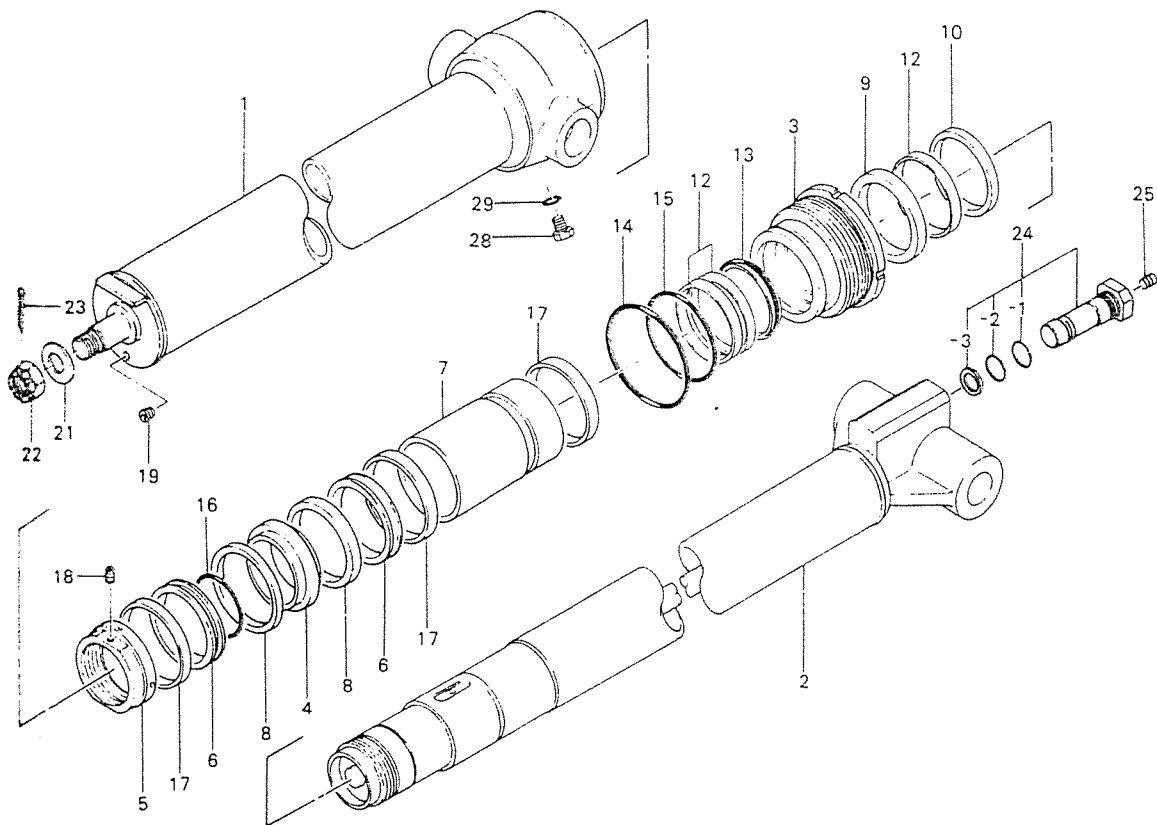
CYLINDER-VERTICAL



REF. NO.	PART NO.	PART NAME	Q'ty	SUPP. CODE	NOTE
	309-91790001	SEAL KIT	1		
1	309-91701001	CYLINDER	1		
2	309-91702001	ROD	1		
3	309-91703001	COVER-ROD	1		
4	309-91704001	PISTON	1		
5	309-66320002	STOPPER-PACKING	2		
6	309-91706001	NUT-PISTON	1		
7	309-90007001	PIPE-DISTANCE	1		
8	309-34607021	PACKING	2	S	
9	309-91709001	RING-BACK UP	1	S	
10	309-34609021	PACKING	1	S	
11	309-56219002	RING-BACK UP	1	S	
12	009-46002075	O-RING	1	S	
13	009-46002125	O-RING	1	S	
14	009-47012503	RING-BACK UP	1	S	
15	309-32314011	RING-WEAR	2	S	
16	309-34606001	BEARING-DRY	1		
17	309-72312001	SEAL-DUST	1	S	
18	009-39812700	CIR CLIP	1		
19	309-66325002	O-RING	1	S	
20	001-10808102	SCREW-SET	1		
21	309-58916003	SCREW-SET	1		

309-99800001

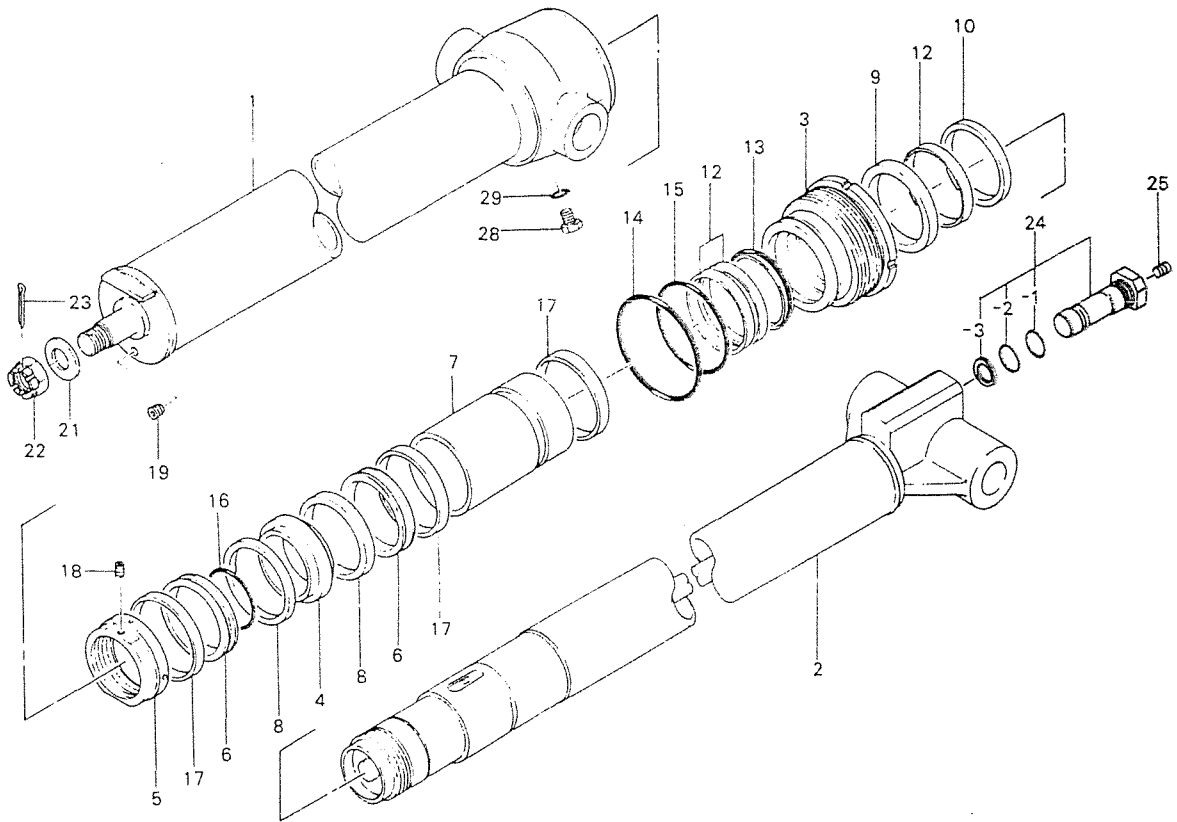
CYLINDER-TELESCOPIC



REF. NO.	PART NO.	PART NAME	Q'ty	SUPP. CODE	NOTE
	309-85990001	SEAL KIT	1		
1	309-99801001	CYLINDER	1		
2	309-99802000	ROD	1		
3	309-99603001	COVER-ROD	1		
4	309-85904001	PISTON	1		
5	309-85905001	NUT	1		
6	309-85906001	STOPPER-PACKING	2		
7	309-85907003	PIPE-DISTANCE	1		
8	309-31607001	PACKING	2	S	
9	309-85307001	PACKING	1	S	
10	309-55814001	SEAL-DUST	1	S	
12	309-99812000	RING-WEAR	3		
13	309-85308001	RING-SEAL	1	S	
14	009-46401037	O-RING	1	S	
15	009-46002145	O-RING	1	S	
16	009-46002100	O-RING	1	S	
17	309-54514002	RING-WEAR	3	S	
18	001-10810102	SCREW-SET	1		
19	309-86719003	PLUG	1		
21	309-85125001	WASHER	1		
22	309-84430001	NUT-CASTLE	1		
23	309-85525003	PIN-SPLIT	1		
24	639-46800004	HOLDING VALVE ASSY	1		
- 1	019-36120390	O-RING	1		
- 2	019-36120320	O-RING	1		
- 3	001-37103202	RING-BACK UP	1		

309-99800001

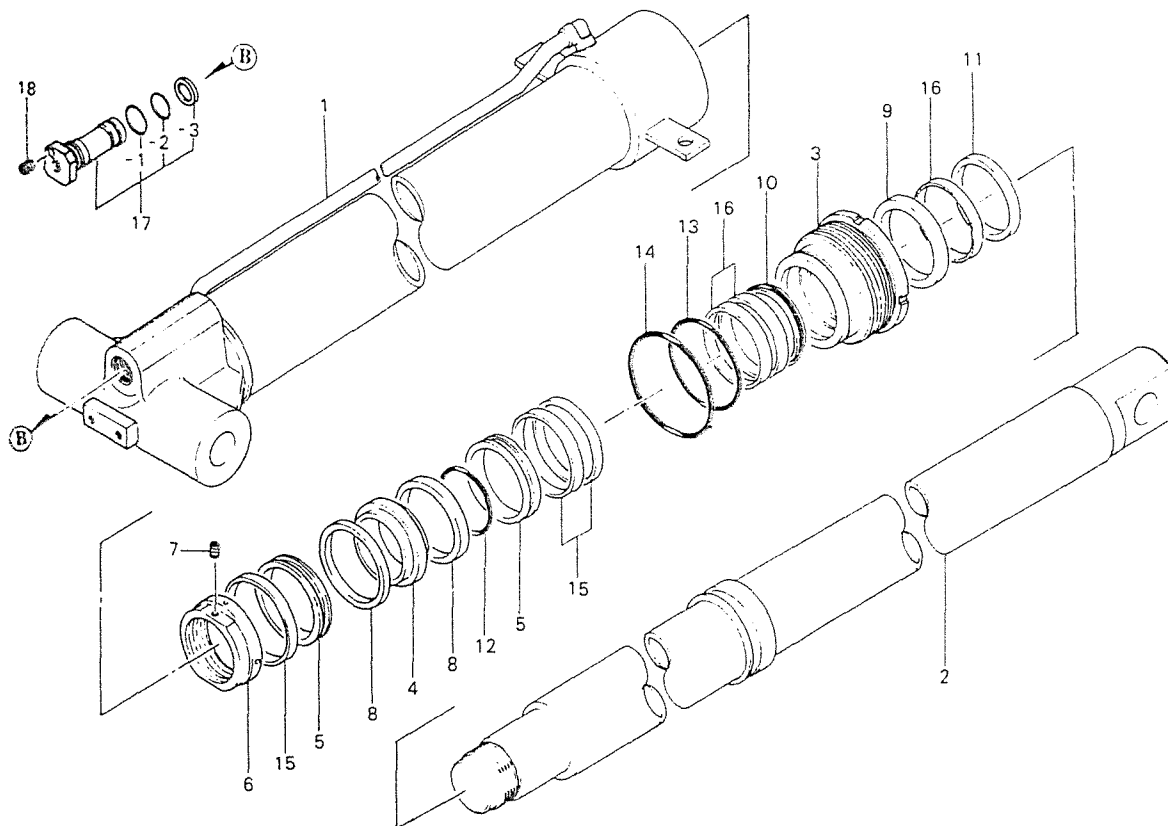
CYLINDER-TELESCOPIC



REF. NO.	PART NO.	PART NAME	Q'ty	SUPP. CODE	NOTE
25	309-32339012	SCREW-SET	1		
28	001-65306000	PLUG	1		
29	001-36120140	O-RING	1		

309-99900011

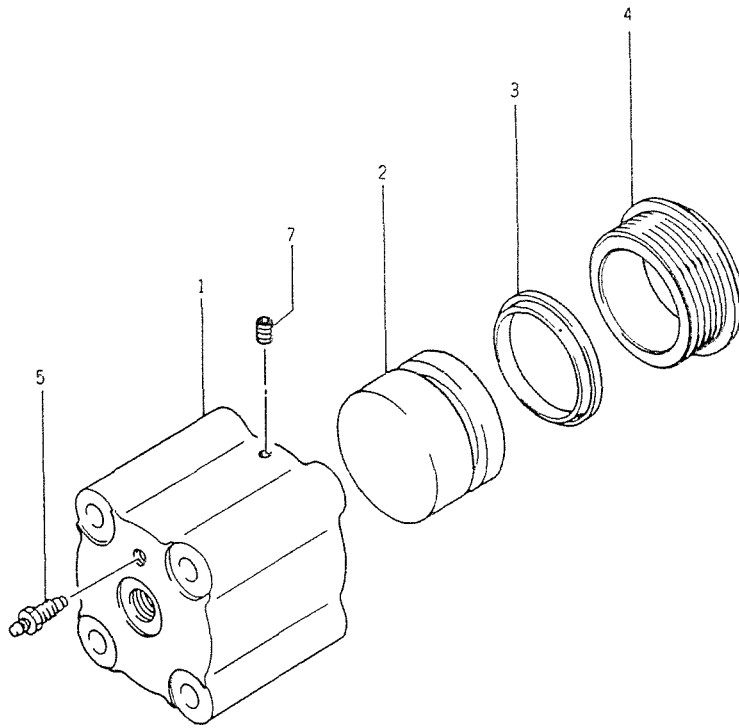
CYLINDER-TELESCOPIC



REF. NO.	PART NO.	PART NAME	Q'ty	SUPP. CODE	NOTE
	309-99990010	SEAL KIT	1		
1	309-99901011	CYLINDER	1		
2	309-99902011	ROD	1		
3	309-99903010	COVER-ROD	1		
4	309-33804004	PISTON	1		
5	309-85705001	STOPPER-PACKING	2		
6	309-33806005	NUT	1		
7	309-56223003	SCREW-SET	1		
8	309-33807001	PACKING	2	S	
9	309-45907001	PACKING	1	S	
10	309-99910010	RING-SEAL	1	S	
11	309-46617001	SEAL-DUST	1	S	
12	099-46002080	O-RING	1	S	
13	099-46002125	O-RING	1	S	
14	309-33823005	O-RING	1	S	
15	309-32614001	RING-WEAR	3	S	
16	309-46616001	RING-WEAR	3		
17	639-46800004	HOLDING VALVE ASSY	1		
- 1	019-36120390	O-RING	1		
- 2	019-36120320	O-RING	1		
- 3	001-37103202	RING-BACK UP	1		
18	309-32339012	SCREW-SET	1		

329-65200001

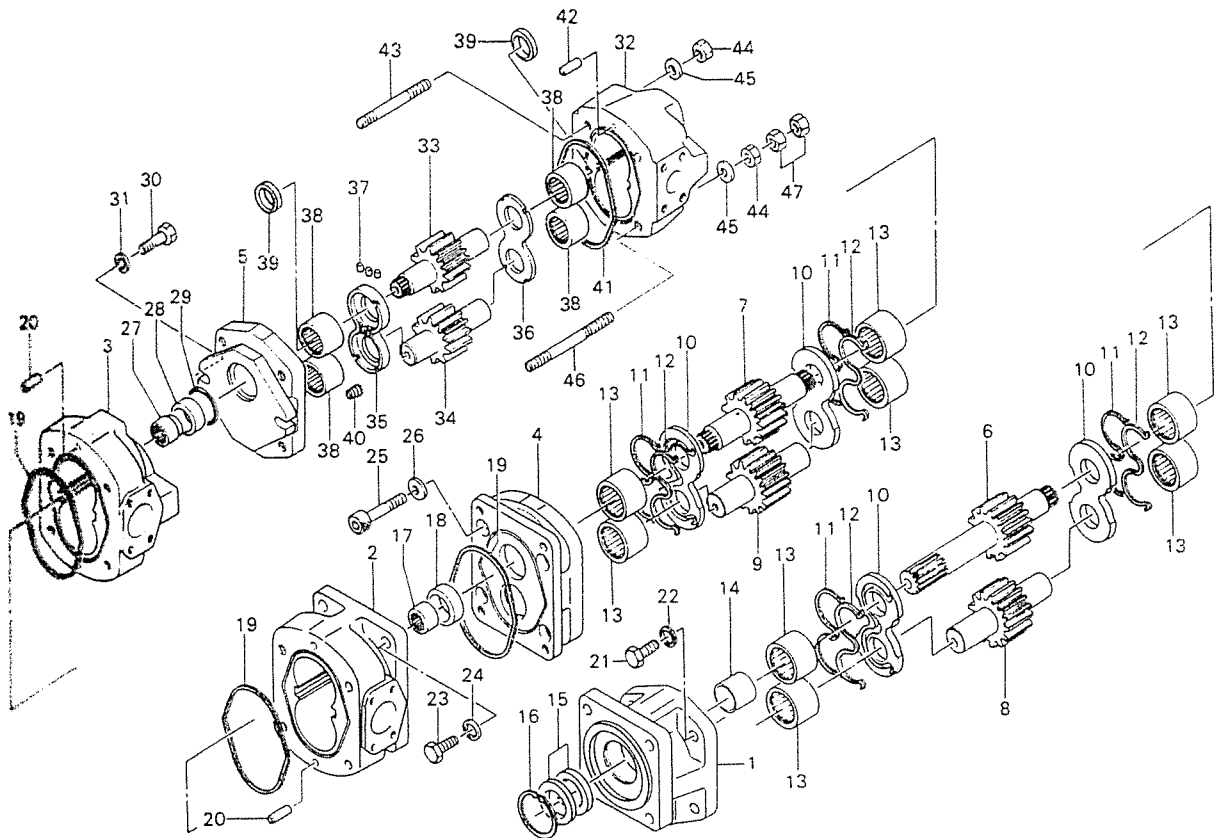
CYLINDER-POWER



REF. NO.	PART NO.	PART NAME	Q'ty	SUPP. CODE	NOTE
1	329-65201001	BODY	1		X
2	329-65202001	PISTON	1		
3	329-65203001	CUP-PISTON	1		
4	329-65204001	STOPPER	1		
5	329-65205001	SCREW-BLEEDER	1		
7	329-65207001	SCREW-SET	1		

609-16900001

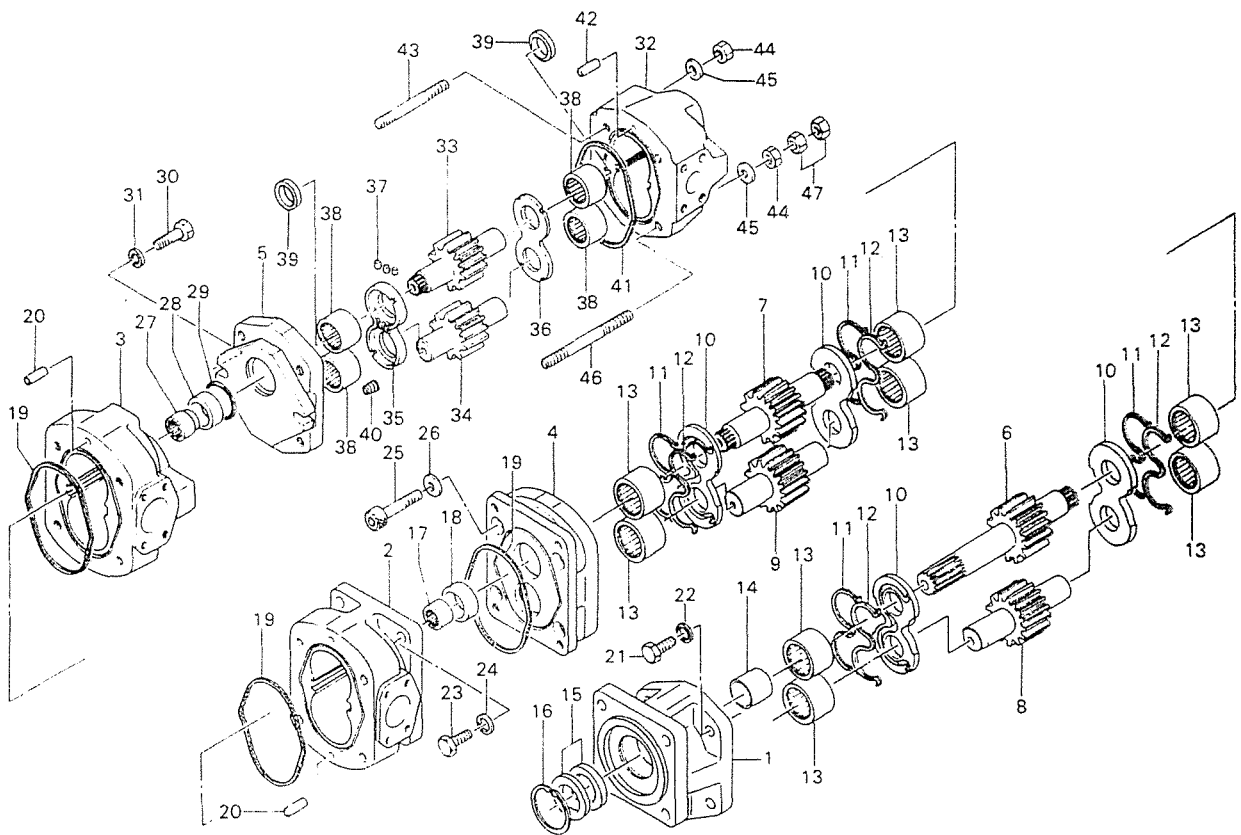
PUMP-GEAR



REF. NO.	PART NO.	PART NAME	Q'ty	SUPP. CODE	NOTE
1	609-25401000	FRAME-FRONT	1		
2	609-25704000	BODY	1		
3	609-16903001	BODY	1		
4	609-25402000	CASE-BEARING	1		
5	609-19103000	CASE-BEARING	1		
6	609-16906001	SHAFT-DRIVE GEAR	1		
7	609-29607001	GEAR-DRIVE	1		
8	609-25708000	GEAR-IDLE	1		
9	609-29609001	GEAR-IDLE	1		
10	609-29615001	PLATE-SIDE	4		
11	609-27922001	SEAL	4		
12	609-25415000	BACK UP-SEAL	4		
13	609-29620001	BEARING-NEEDLE	8		
14	609-25418000	BUSHING	1		
15	619-35827101	SEAL-OIL	2		
16	001-20752000	RING-SNAP (H)	1		
17	609-25420000	COUPLING	1		
18	609-25421000	COLLAR	1		
19	609-25413000	RING-SQUARE	3		
20	609-13908001	PIN	4		
21	609-29630001	BOLT	4		
22	001-12118002	WASHER-SPRING	4		
23	609-29631001	BOLT	4		
24	001-12112002	WASHER-SPRING	4		
25	609-29632001	BOLT-HEXAGON SOCKET	4		
26	609-25425000	WASHER	4		
27	609-29713001	COUPLING	1		
28	609-27909001	COLLAR	1		

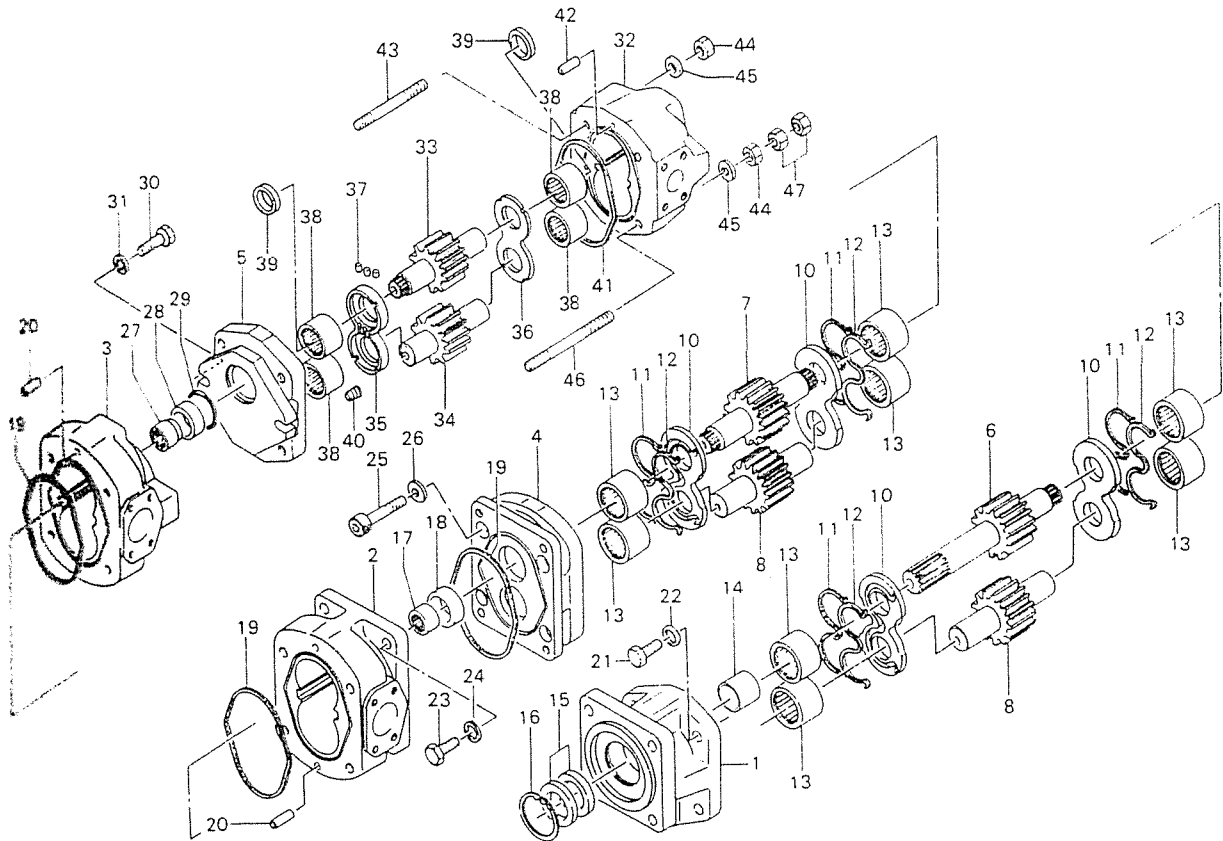
609-16900001

PUMP-GEAR



REF.NO.	PART NO.	PART NAME	Q'ty	SUPP. CODE	NOTE
29	609-29729001	O-RING	1		
30	609-27920001	BOLT	2		
31	001-12110002	WASHER-SPRING	2		
32	609-29706001	BODY(S)	1		
33	609-29709001	GEAR-DRIVE	1		
34	619-10504001	GEAR-IDLE	1		
35	609-29716001	PLATE-SIDE (A)	1		
36	609-29717001	PLATE-SIDE (B)	1		
37	609-29730001	SEAL-POCKET	6		
38	609-28615001	BEARING-NEEDLE	4		
39	619-10407001	RING-SEAL	2		
40	001-60902002	PLUG	1		
41	609-11815001	RING-SQUARE	1		
42	609-11024000	PIN	2		
43	619-10508001	BOLT-STUD	2		
44	619-10416001	NUT	4		
45	619-10415001	WASHER	4		
46	609-29732001	BOLT-STUD	2		
47	609-29244001	NUT-LOCK	4		

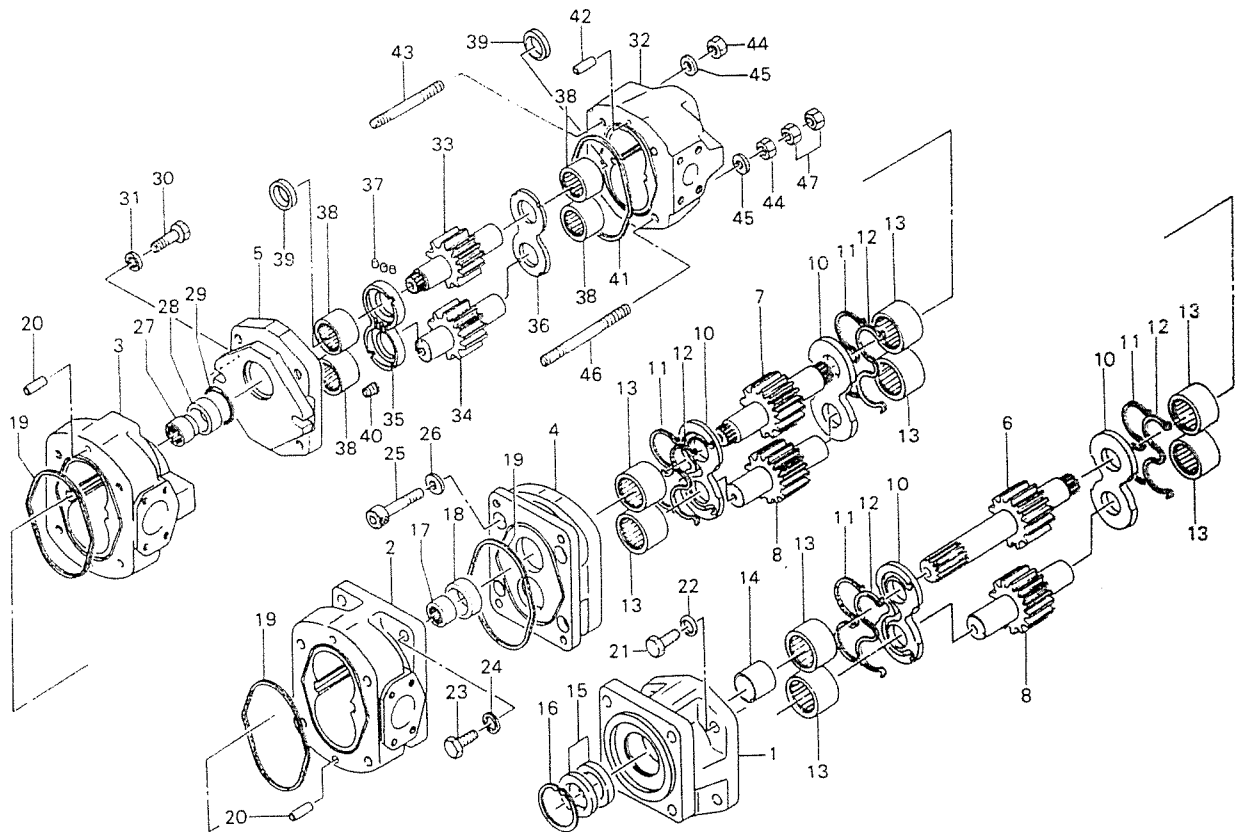
PUMP-GEAR



REF. NO.	PART NO.	PART NAME	Q'ty	SUPP. CODE	NOTE
1	609-25401000	FRAME-FRONT	1		
2	609-25404000	BODY	1		
3	609-17103001	BODY	1		
4	609-25402000	CASE-BEARING	1		
5	609-19103000	CASE-BEARING	1		
6	609-17106001	SHAFT-DRIVE GEAR	1		
7	609-25406000	GEAR-DRIVE	1		
8	609-25408000	GEAR-IDLE	2		
10	609-29615001	PLATE-SIDE	4		
11	609-27922001	SEAL	4		
12	609-25415000	BACK UP-SEAL	4		
13	609-29620001	BEARING-NEEDLE	8		
14	609-25418000	BUSHING	1		
15	619-35827101	SEAL-OIL	2		
16	001-20752000	RING-SNAP (H)	1		
17	609-25420000	COUPLING	1		
18	609-25421000	COLLAR	1		
19	609-25413000	RING-SQUARE	3		
20	609-13908001	PIN	4		
21	609-29630001	BOLT	4		
22	001-12118002	WASHER-SPRING	4		
23	609-29631001	BOLT	4		
24	001-12112002	WASHER-SPRING	4		
25	609-29632001	BOLT-HEXAGON SOCKET	4		
26	609-25425000	WASHER	4		
27	609-29713001	COUPLING	1		
28	609-27909001	COLLAR	1		

609-17100011

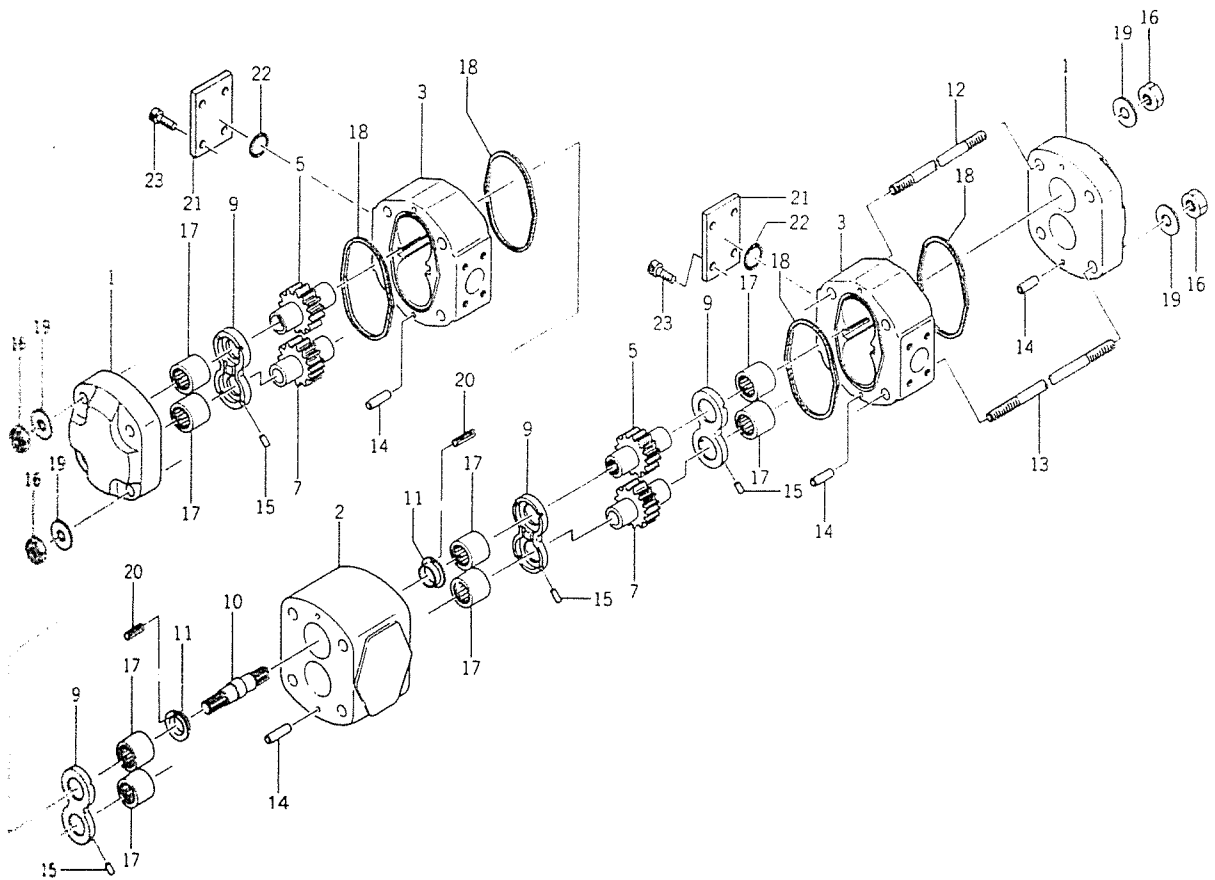
PUMP-GEAR



REF. NO.	PART NO.	PART NAME	Q'ty	SUPP. CODE	NOTE
29	609-29729001	O-RING	1		
30	609-27920001	BOLT	2		
31	001-12110002	WASHER-SPRING	2		
32	609-17132001	BODY	1		
33	609-17133001	GEAR-DRIVE	1		
34	609-25810001	GEAR-IDLE	1		
35	609-29716001	PLATE-SIDE (A)	1		
36	609-29717001	PLATE-SIDE (B)	1		
37	609-29730001	SEAL-POCKET	6		
38	609-28615001	BEARING-NEEDLE	4		
39	619-10407001	RING-SEAL	2		
40	001-60902002	PLUG	1		
41	609-11815001	RING-SQUARE	1		
42	609-11024000	PIN	2		
43	609-25822001	BOLT-STUD	2		
44	619-10416001	NUT	4		
45	619-10415001	WASHER	4		
46	609-17146001	BOLT-STUD	2		
47	609-29244001	NUT-LOCK	4		

609-27700001

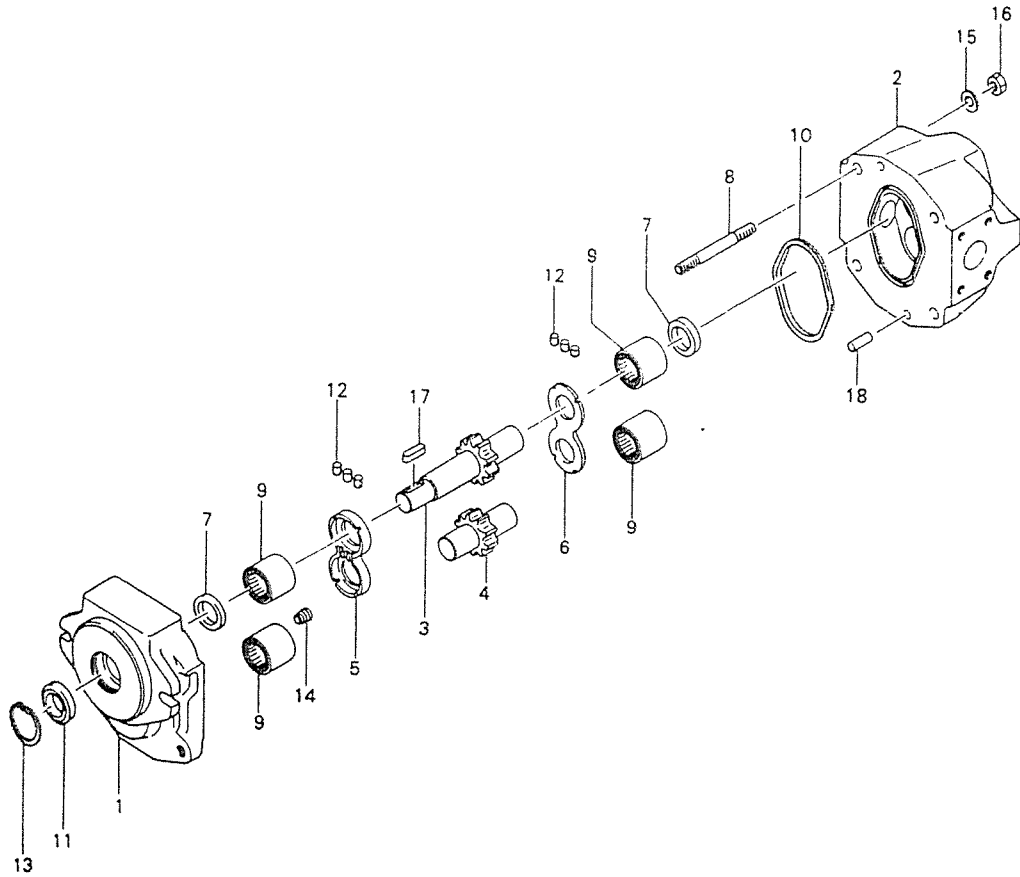
DIVIDER-FLOW



REF. NO.	PART NO.	PART NAME	Q'ty	SUPP. CODE	NOTE
1	609-20106001	FRAME-REAR	2		
2	609-27002002	CASE-BEARING	1		
3	609-20226011	CASE-GEAR	2		
5	609-27811001	GEAR-DRIVE	2		
7	609-27814001	GEAR-IDLE	2		
9	609-27013002	PLATE-SIDE	4		
10	609-27015001	SHAFT-CONNECTING	1		
11	609-11310031	RING-SEAL	2		
12	609-27712001	BOLT-STUD	2		
13	609-27713001	BOLT-STUD	2		
14	609-11024000	PIN	8		
15	609-27715001	SEAL-POCKET	24		
16	609-11913001	NUT	8		
17	609-11015000	BEARING-NEEDLE	8		
18	609-11617001	RING-SQUARE	4		
19	609-27826001	WASHER	8		
20	609-20127001	PIN-SPRING	2		
21	609-33208001	FLANGE	2		
22	009-46002035	O-RING	2		
23	001-10510030	BOLT-HEXAGON SOCKET	8		

619-10800001

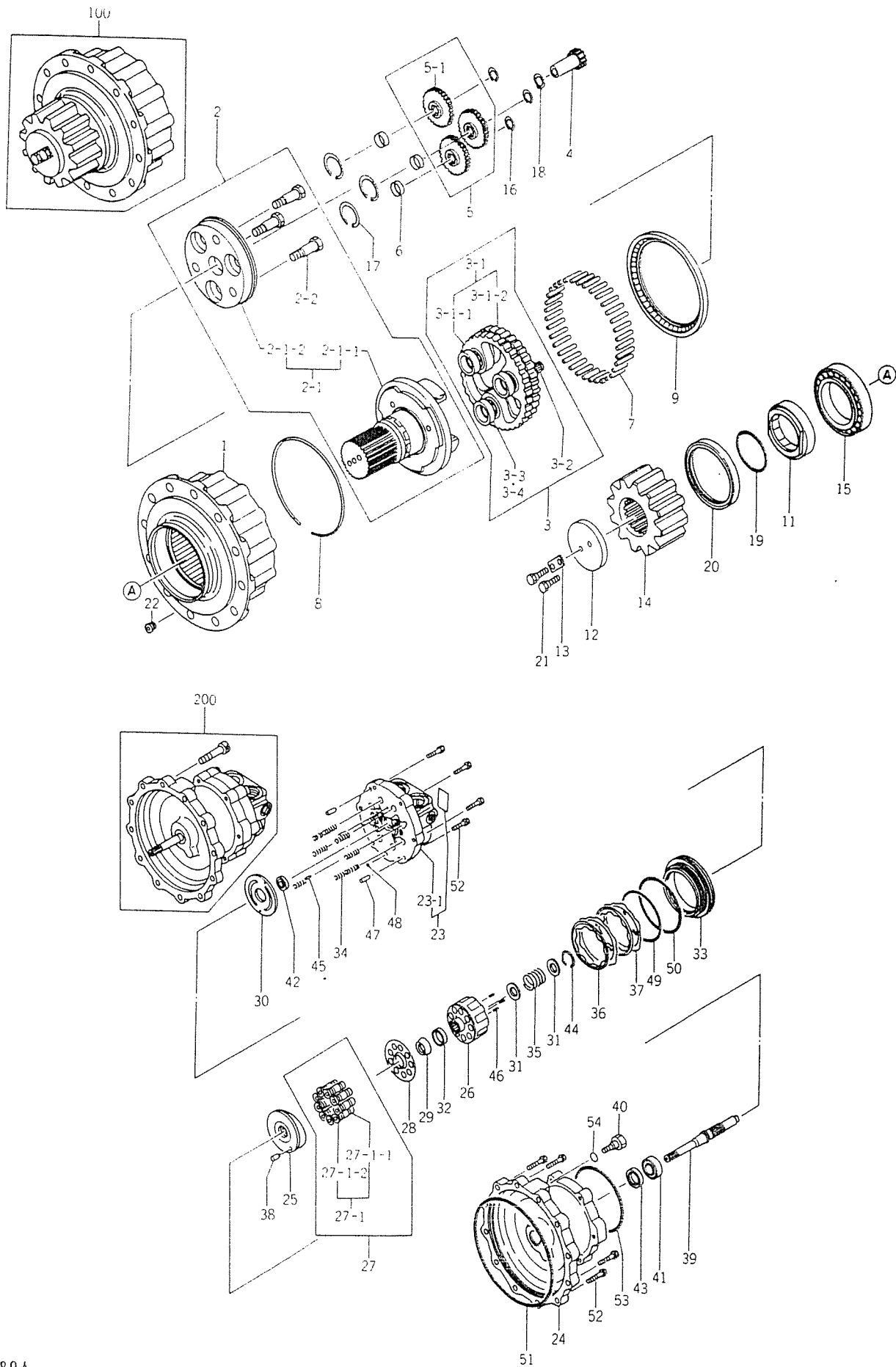
MOTOR-GEAR



REF. NO.	PART NO.	PART NAME	Q'ty	SUPP. CODE	NOTE
1	619-10401001	FRAME	1		
2	619-10802001	BODY	1		
3	619-10803001	SHAFT	1		
4	619-10804001	GEAR- IDLE	1		
5	609-11105001	PLATE-SIDE	1		
6	609-11106001	PLATE-SIDE	1		
7	619-10407001	RING-SEAL	2		
8	619-10808001	BOLT-STUD	4		
9	609-11813001	BEARING-NEEDLE	4		
10	609-11815001	RING-SQUARE	1		
11	609-11111001	SEAL-OIL	1		
12	609-29730001	SEAL-POCKET	6		
13	001-20740000	RING-SNAP (H)	1		
14	001-60902002	PLUG	2		
15	619-10415001	WASHER	4		
16	619-10416001	NUT	4		
17	619-10417001	KEY	1		
18	609-11024000	PIN	2		

619-30900012

MOTOR-PLUNGER



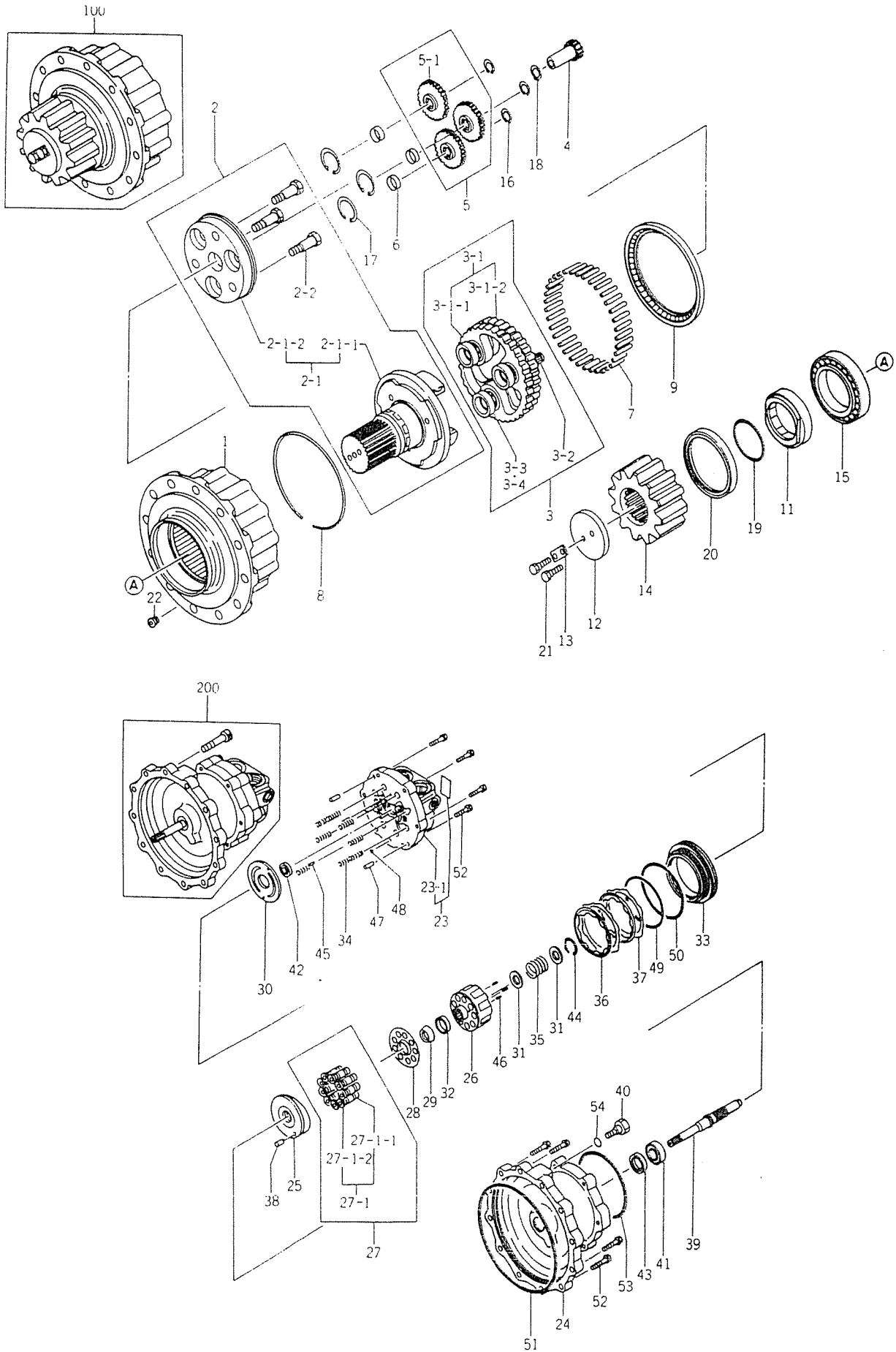
619-30900012

MOTOR-PLUNGER

REF. NO.	PART NO.	PART NAME	Q'ty	SUPP. CODE	NOTE
	619-55290002	SEAL KIT	1		
1	619-32201011	HUB	1		
2	619-54401101	SPINDLE KIT	1		
- 1	619-54402101	SPINDLE ASSY	1		
-- 1	619-51202001	SPINDLE	1	X	
-- 2	619-51203001	FLANGE-HOLD	1	X	
- 2	619-32914001	BOLT-REAMER	3		
3	619-52700201	RV GEAR ASSY	1		
- 1	619-55403101	GEAR-RV KIT	1		
-- 1	619-51204001	GEAR-RV (A)	1	X	
-- 2	619-51205001	GEAR-RV (B)	1	X	
- 2	619-51209001	SHAFT-CRANK	3		
- 3	619-32916001	BEARING-ROLLER	6		
- 4	619-55404101	BEARING-NEEDLE	6		
4	619-30904011	GEAR-INPUT	1		
5	619-52700301	SPUR GEAR KIT	1		
- 1	619-30905011	GEAR-SPUR	3	X	
6	619-32911001	PIECE-DISTANCE	3		
7	619-32207001	PIN	36		
8	619-32209001	RING	1		
9	619-32915001	BEARING-BALL	1		
11	619-32211001	PIECE-DISTANCE	1		
12	619-32212001	PLATE	1		
13	619-32213001	PLATE-LOCK	1		
14	619-32214001	PINION	1		
15	619-52732001	BEARING-ROLLER	1		
16	001-20625000	RING-SNAP (S)	3		
17	619-50617102	SNAP RING KIT	3		
18	001-20617000	RING-SNAP (S)	1		
19	009-46402016	O-RING	1	S	
20	009-45013514	SEAL-OIL	1	S	
21	619-52721002	BOLT	2		
22	619-32222001	PLUG	1		
23	619-55401201	REAR FLANGE KIT	1		
- 1	619-32223011	FLANGE-REAR	1		
24	619-32224011	CASE	1		
25	619-52743001	PLATE-SWASH	1		
26	619-32944001	BLOCK-CYLINDER	1		
27	619-52700401	PISTON KIT	1		
- 1	619-55401401	PISTON ASSY	9	X	
-- 1	619-32945001	PISTON	1	X	
-- 2	619-52746001	SHOE	1	X	
28	619-52747001	PLATE-RETAINER	1		
29	619-32948001	BOWL-THRUST	1		
30	619-52749001	PLATE-TIMING	1		
31	619-32950001	WASHER	2		

619-30900012

MOTOR-PLUNGER



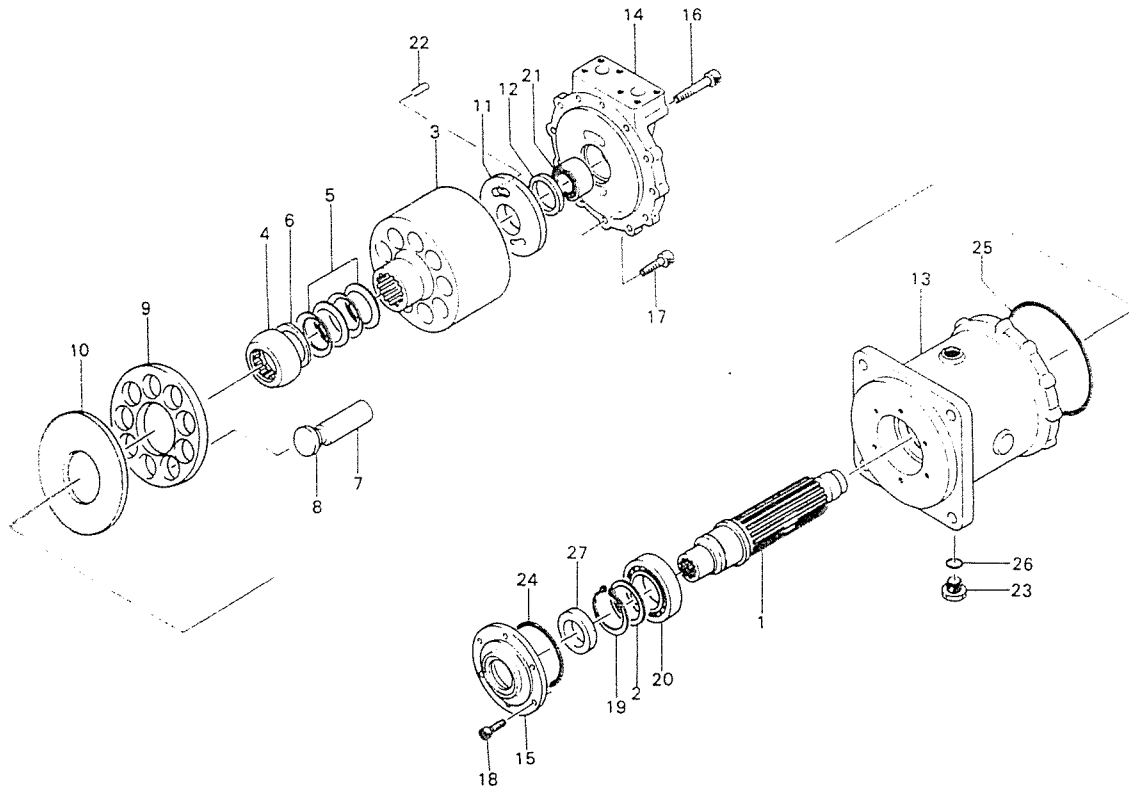
619-30900012

MOTOR-PLUNGER

REF. NO.	PART NO.	PART NAME	Q'ty	SUPP. CODE	NOTE
32	619-50632202	WASHER KIT	1		
33	619-32233011	PISTON	1		
34	619-32953001	SPRING	10		
35	619-32954001	SPRING	1		
36	619-32955001	PLATE-FRICTION	2		
37	619-32956001	PLATE-PRESSURE	2		
38	619-32957001	PIN	1		
39	619-32239001	SHAFT	1		
40	619-31141001	GAUGE-OIL	1		
41	009-35006204	BEARING-BALL	1		
42	009-35006202	BEARING-BALL	1		
43	619-32970001	SEAL-OIL	1	S	
44	619-32977001	RING-SNAP	1		
45	619-55206002	PIN	2		
46	619-55207002	PIN	3		
47	619-55208002	PIN	2		
48	001-36120060	O-RING	1	S	
49	009-46402028	O-RING	1	S	
50	009-46402033	O-RING	1	S	
51	009-46402049	O-RING	1	S	
52	001-10510035	BOLT-HEXAGON SOCKET	18		
53	009-46402036	O-RING	1	S	
54	001-36120140	O-RING	1	S	
100	619-30900112	GEAR-REDUCTION	1		
200	619-52700502	MOTOR-HYDRAULIC	1		

619-33500001

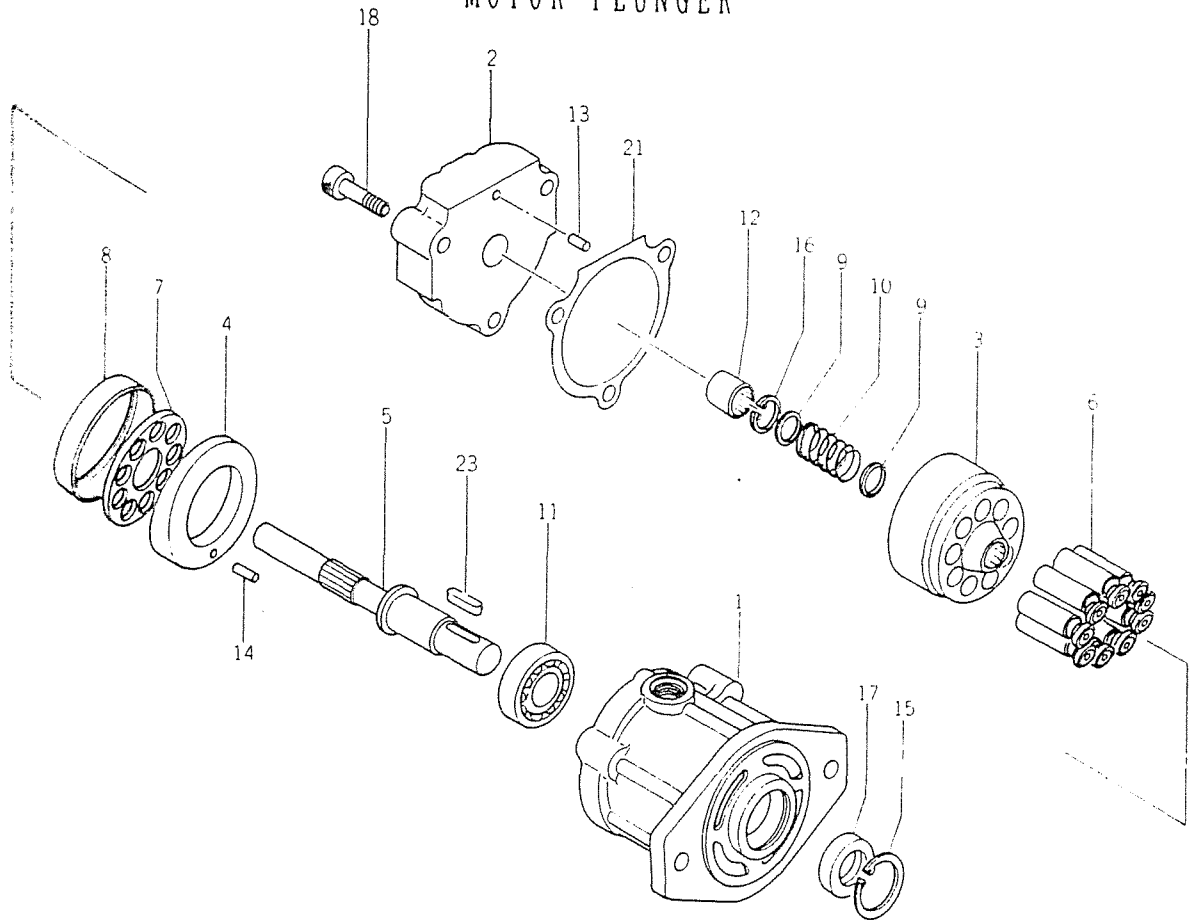
MOTOR-PLUNGER



REF. NO.	PART NO.	PART NAME	Q'ty	SUPP. CODE	NOTE
1	619-33501001	SHAFT-DRIVE	1		
2	619-33402001	SPACER-BEARING	1		
3	619-33503001	CYLINDER	1		
4	619-33404001	BUSHING-SPHERICAL	1		
5	619-33405001	SPRING-CONED DISC	4		
6	619-33406001	SHIM	1		
7	619-33407001	PISTON	9		
8	619-33408001	SHOE	9		
9	619-33409001	PLATE-SUPPORT	1		
10	619-33410001	PLATE-SHOE	1		
11	619-33411001	PLATE-VALVE	1		
12	619-33412001	RING-GUIDE	1		
13	619-33413001	CASING	1		
14	619-33514001	COVER-VALVE	1		
15	619-33415001	COVER-FRONT	1		
16	001-10512085	BOLT-HEXAGON SOCKET	1		
17	001-10512045	BOLT-HEXAGON SOCKET	15		
18	001-10508025	BOLT-HEXAGON SOCKET	6		
19	001-20680000	RING-SNAP(S)	1		
20	619-31440001	BEARING-ROLLER	1		
21	619-31441001	BEARING-NEEDLE	1		
22	619-34336001	PIN	1		
23	609-37538001	PLUG(VP)	1		
24	009-46002140	O-RING	1		
25	009-46402049	O-RING	1		
26	001-36120240	O-RING	1		
27	619-33626001	SEAL-OIL	1		

619-56700001

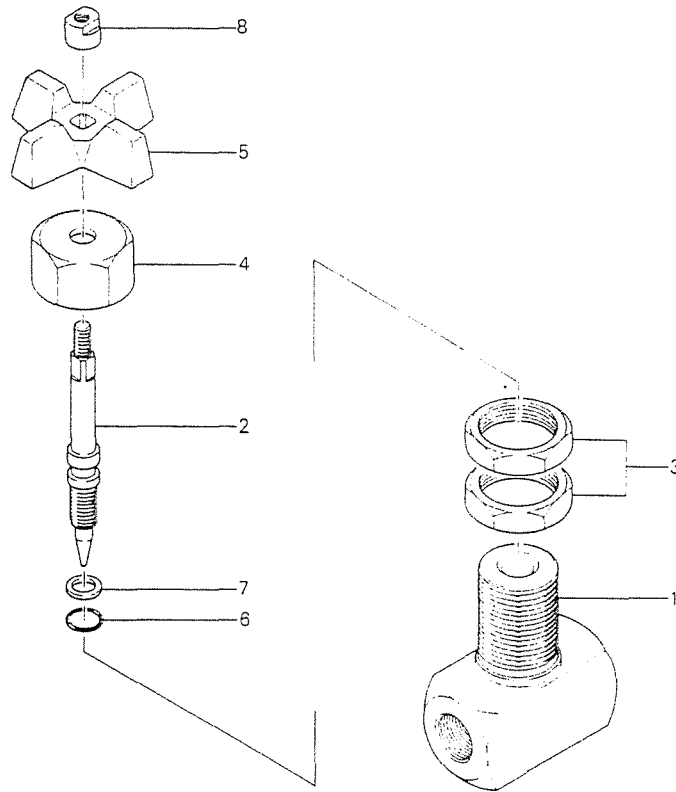
MOTOR-PLUNGER



REF. NO.	PART NO.	PART NAME	Q'ty	SUPP. CODE	NOTE
	619-56790001	SEAL KIT	1		
1	619-56701001	CASE	1	X	
2	619-56702001	BLOCK-PORT	1	X	
3	619-56703001	BLOCK-CYLINDER	1	X	
4	619-56704001	PLATE-SWASH	1	X	
5	619-56705001	SHAFT	1	X	
6	619-56707001	PISTON ASSY	9	X	
7	619-56708001	PLATE-RETAINER	1	X	
8	619-56709001	HOLDER-RETAINER	1	X	
9	619-30509001	HOLDER-SPRING	2		
10	619-56710001	SPRING	1		
11	619-56711001	BEARING-BALL	1	X	
12	619-56712001	BEARING-NEEDLE	1	X	
13	619-30514011	PIN	2	X	
14	619-56713001	PIN	1	X	
15	619-30515001	RING-SNAP	1		
16	619-56714001	RING-SNAP	1		
17	619-30517001	SEAL-OIL	1	S	
18	001-10510050	BOLT-HEXAGON SOCKET	3		
21	619-56716001	GASKET	1	S	
23	619-56717001	KEY	1		

629-10400001

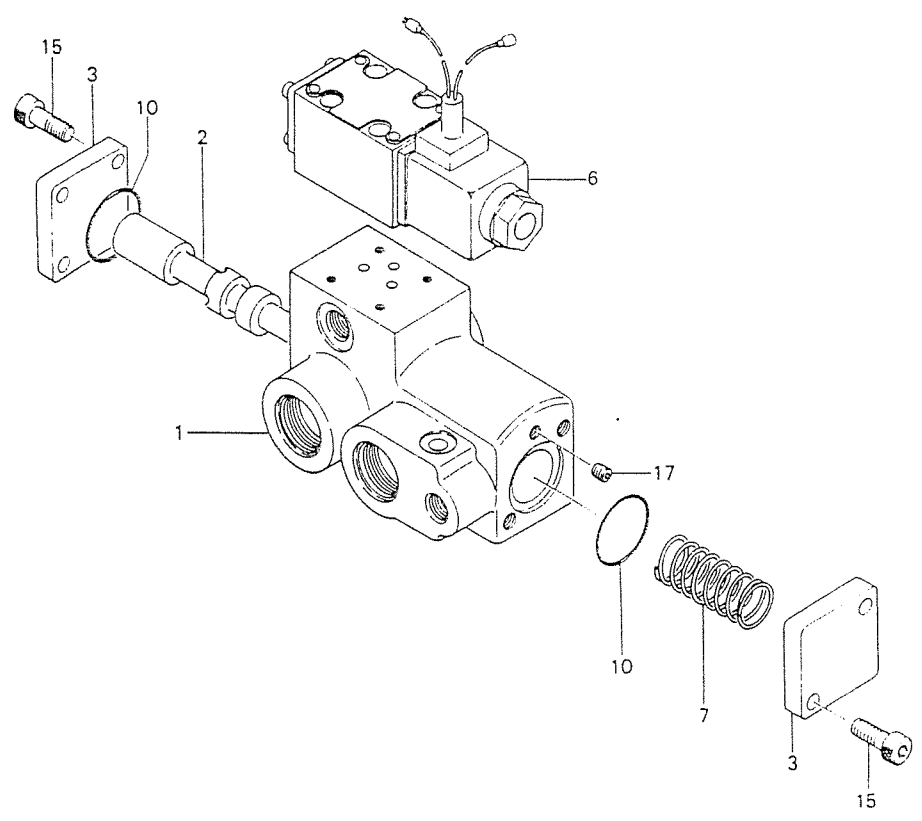
VALVE-NEEDLE



REF. NO.	PART NO.	PART NAME	Q'ty	SUPP. CODE	NOTE
1	629-10401001	BODY	1		
2	629-10402001	NEEDLE	1		
3	629-10403001	NUT	2		
4	629-10404001	NUT-CAP	1		
5	629-10405001	HANDLE	1		
6	001-36110070	O-RING	1		
7	001-37100702	RING-BACK UP	1		
8	629-10408001	NUT-LOCK	1		

629-13200012

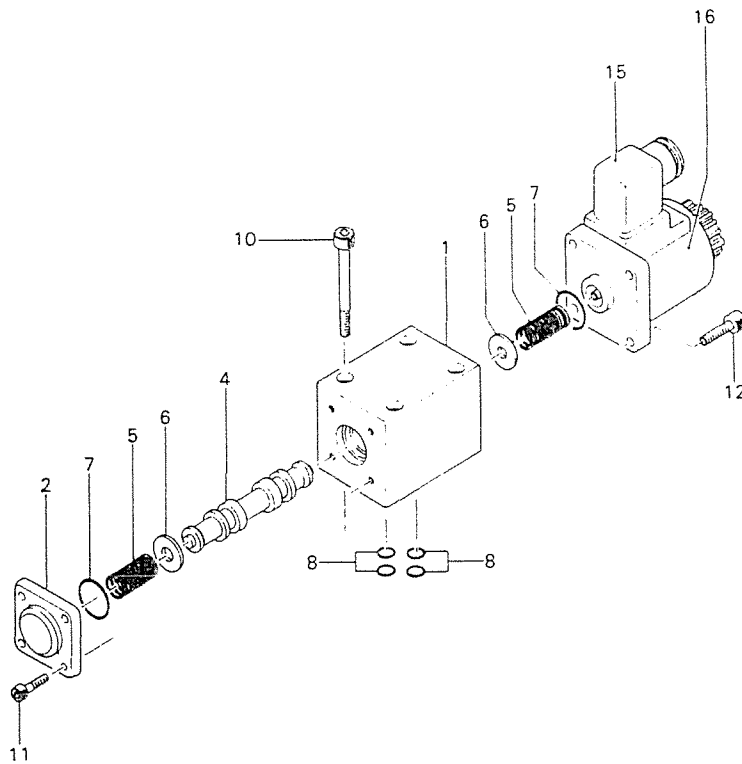
VALVE-SHUT OFF



REF. NO.	PART NO.	PART NAME	Q'ty	SUPP. CODE	NOTE
1	629-13201010	BODY	1		
2	629-13202001	SPOOL	1		
3	629-13203001	COVER	2		
6	629-13206010	VALVE-SOLENOID	1		
7	629-13207001	SPRING	1		
10	009-46001030	O-RING	2		
15	001-10508020	BOLT-HEXAGON SOCKET	6		
17	639-48512001	PLUG	1		

629-2430001

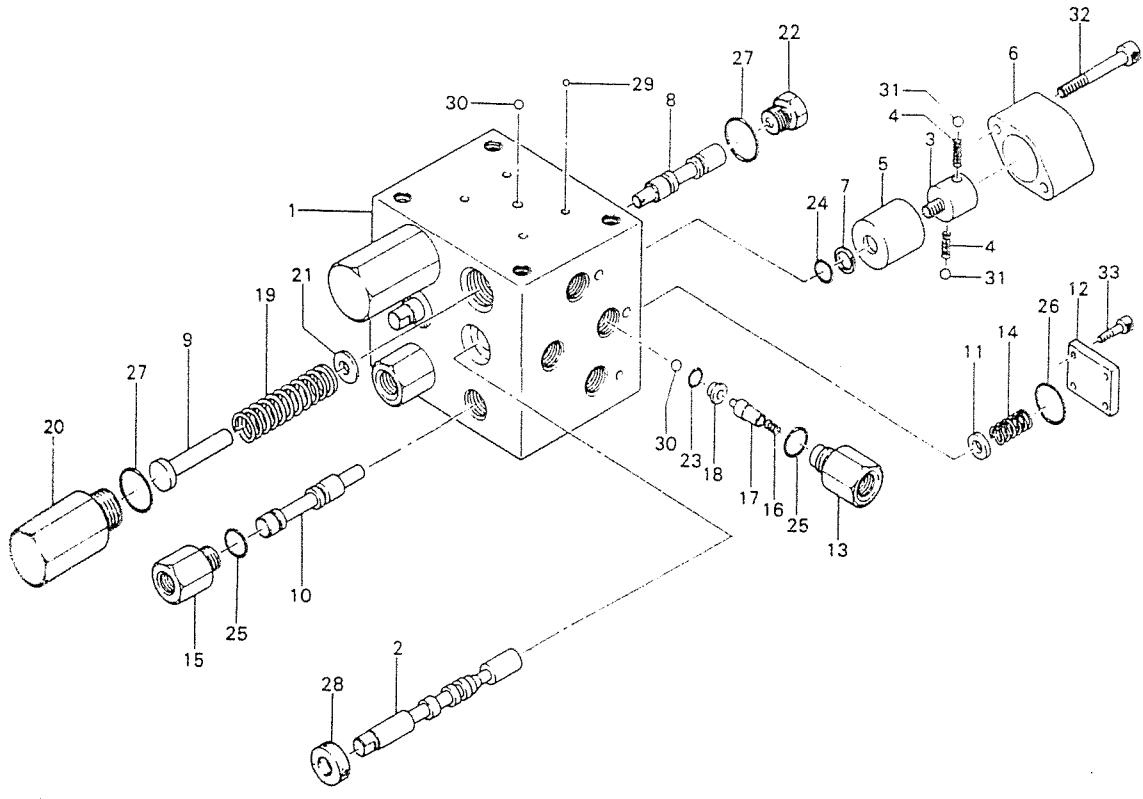
VALVE-SOLENOID



REF. NO.	PART NO.	PART NAME	Q'ty	SUPP. CODE	NOTE
1	629-24501001	BODY	1		
2	629-24502001	COVER	1		
4	629-24504001	SPOOL	1		
5	629-24305000	SPRING	2		
6	629-24506001	SEAT-SPRING	2		
7	629-24507001	O-RING	2		
8	009-46302007	O-RING	4		
10	629-24510001	BOLT-HEXAGON SOCKET	4		
11	629-24511001	BOLT-HEXAGON SOCKET	4		
12	629-24512001	BOLT-HEXAGON SOCKET	4		
15	629-24315000	CONNECTOR	1		
16	629-24316000	SOLENOID	1		

629-24900011

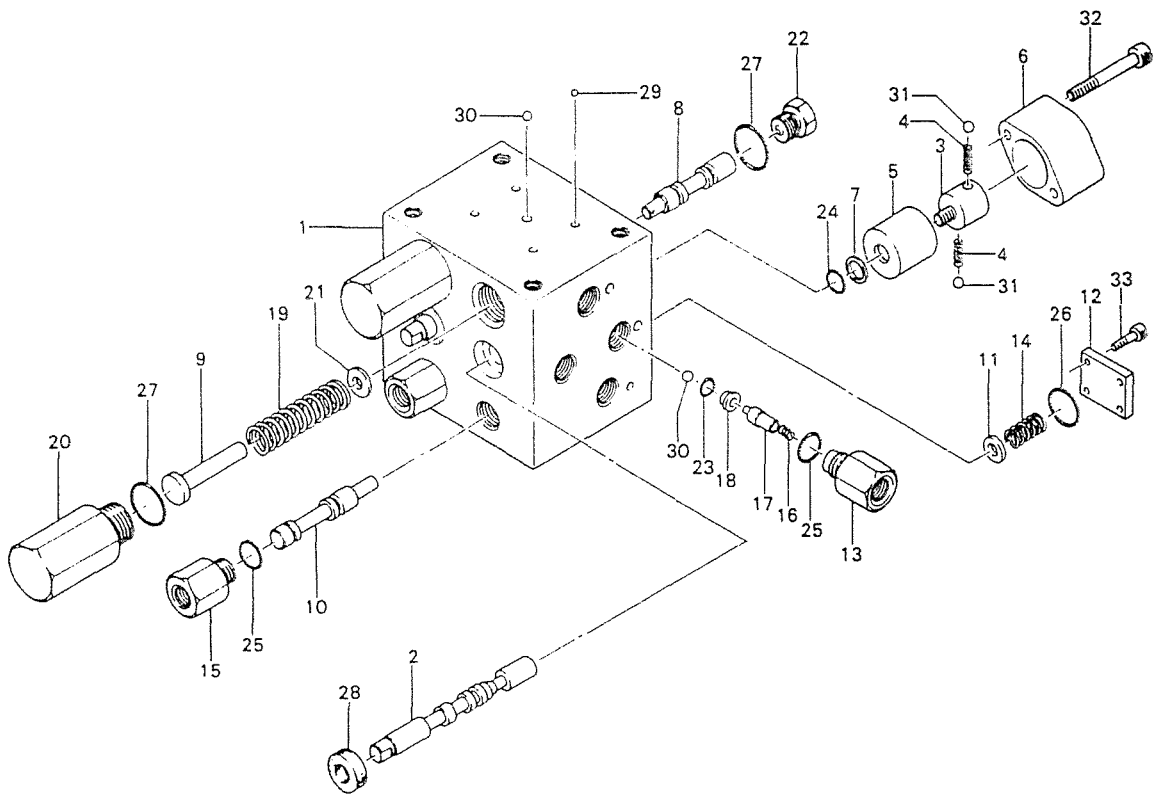
VALVE-CLUTCH



REF. NO.	PART NO.	PART NAME	Q'ty	SUPP. CODE	NOTE
1	629-24901000	BODY	1		
2	629-24902000	SPOOL	2		
3	629-24903000	HOLDER-DETENT	2		
4	629-24904000	SPRING	4		
5	629-24905000	SLEEVE	2		
6	629-24906000	COVER	2		
7	629-24907000	RING-BACK UP	2		
8	629-24908000	PLUNGER	2		
9	629-24909000	STOPPER	2		
10	629-24910011	PLUNGER	2		
11	629-24911000	WASHER	2		
12	629-24912000	COVER	2		
13	629-24913000	CASE	2		
14	629-24914011	SPRING	2		
15	629-12405001	CONNECTOR	2		
16	629-25213001	SPRING	2		
17	629-25204001	VALVE-CHECK	2		
18	629-25205001	SEAT-VALVE	2		
19	629-22603001	SPRING	2		
20	629-22604001	PLUG	2		
21	629-22606001	WASHER	2		
22	629-24922000	PLUG	2		
23	001-36120070	O-RING	2		
24	001-36110100	O-RING	2		
25	001-36120110	O-RING	6		
26	629-24926011	O-RING	2		
27	001-36120180	O-RING	2		
28	629-24928000	SEAL-OIL	2		

629-24900011

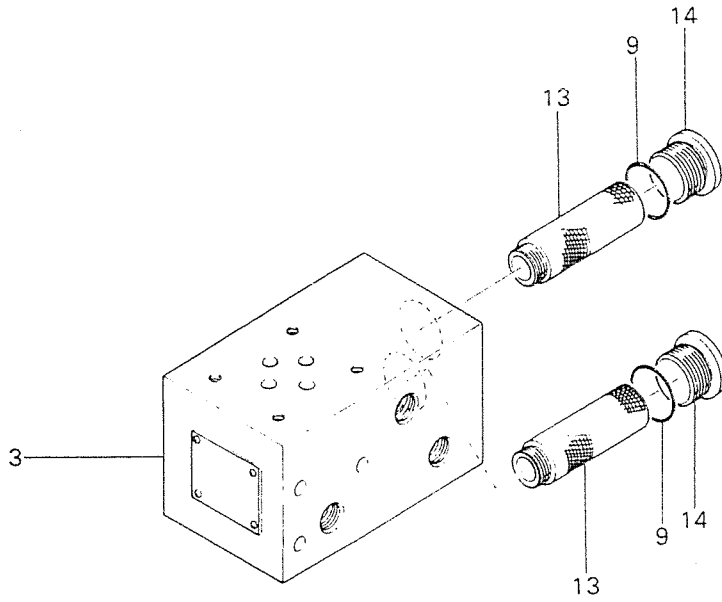
VALVE-CLUTCH



REF. NO.	PART NO.	PART NAME	Q'ty	SUPP. CODE	NOTE
29	629-57318001	BALL-STEEL	11		
30	629-21426001	BALL-STEEL	6		
31	629-80524001	BALL-STEEL	4		
32	629-24932000	BOLT-HEXAGON SOCKET	4		
33	001-10505014	BOLT-HEXAGON SOCKET	4		

629-27600001

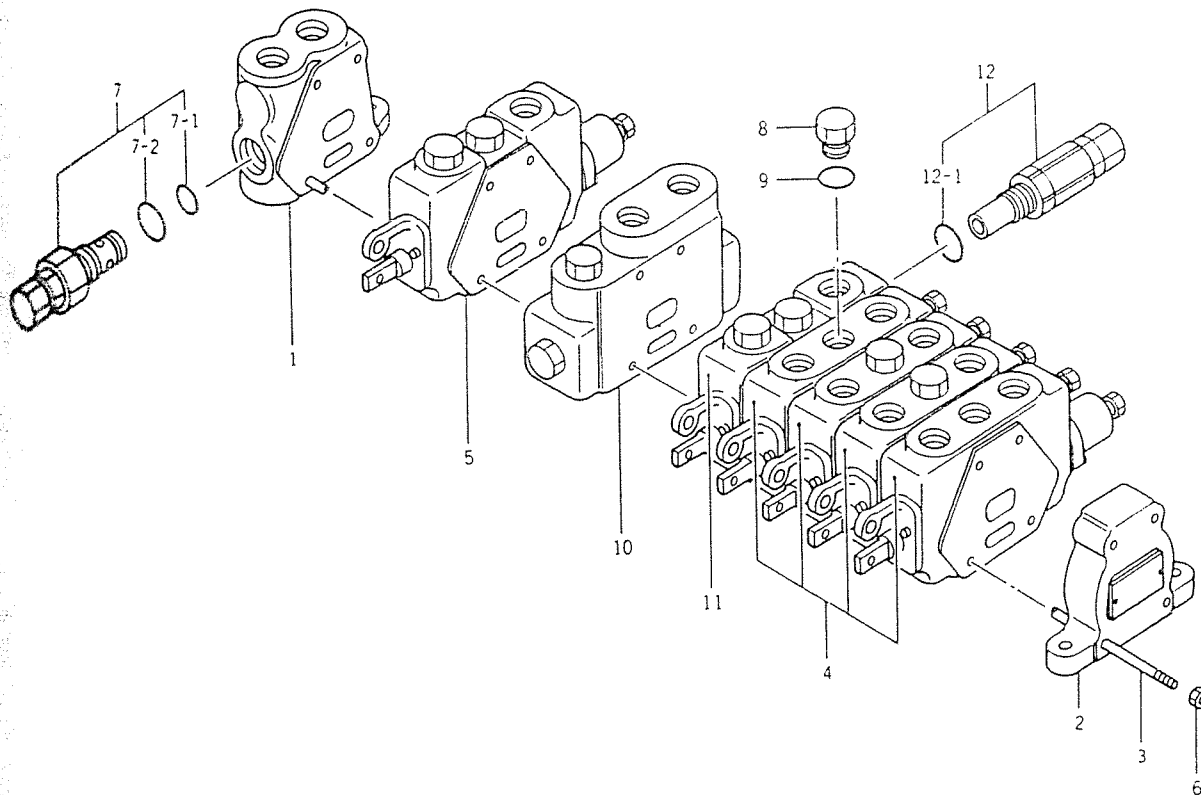
PLATE-SUB



REF. NO.	PART NO.	PART NAME	Q'ty	SUPP. CODE	NOTE
3	629-24503001	BODY	1		
9	001-36120140	O-RING	2		
13	689-30502001	FILTER	2		
14	629-24514001	PLUG	2		

629-5590021

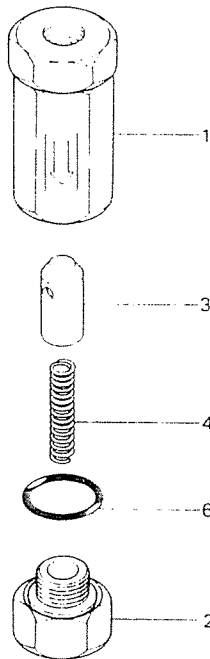
VALVE-CONTROL



REF. NO.	PART NO.	PART NAME	Q'ty	SUPP. CODE	NOTE
1	629-55900121	BODY ASSY	1		
2	629-55902021	BODY ASSY	1		
3	629-55913001	BOLT	4		
4	629-55900321	VALVE BLOCK ASSY	4		
5	629-55900221	VALVE BLOCK ASSY	1		
6	629-55906001	NUT	8		
7	629-55900501	RELIEF VALVE ASSY	1		
- 1	629-55901501	O-RING	1		
- 2	001-36120220	O-RING	1		
8	629-55908002	BUSHING	5		
9	001-36120140	O-RING	5		
10	629-55900621	BODY ASSY	1		
11	629-55900421	VALVE BLOCK ASSY	1		
12	629-55900821	RELIEF VALVE ASSY	1		
- 1	669-11309201	O-RING	1		

629-61000011

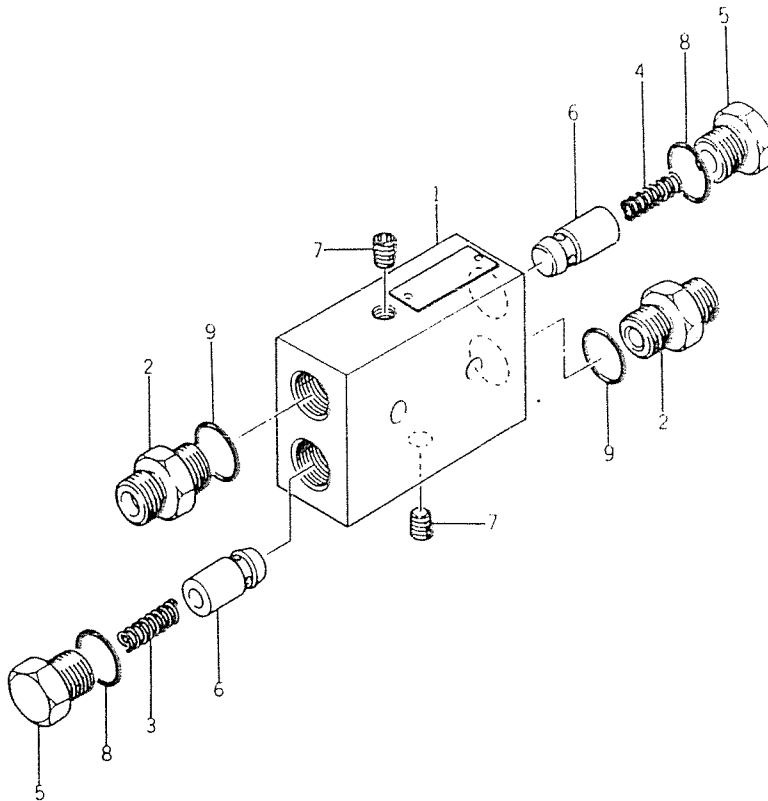
VALVE-INLINE CHECK



REF. NO.	PART NO.	PART NAME	Q'ty	SUPP. CODE	NOTE
1	629-61001011	BODY	1		
2	629-61002011	ADAPTER	1		
3	639-51412001	PLUNGER-CHECK	1		
4	639-51415001	SPRING	1		
6	009-46001025	O-RING	1		

629-6290003

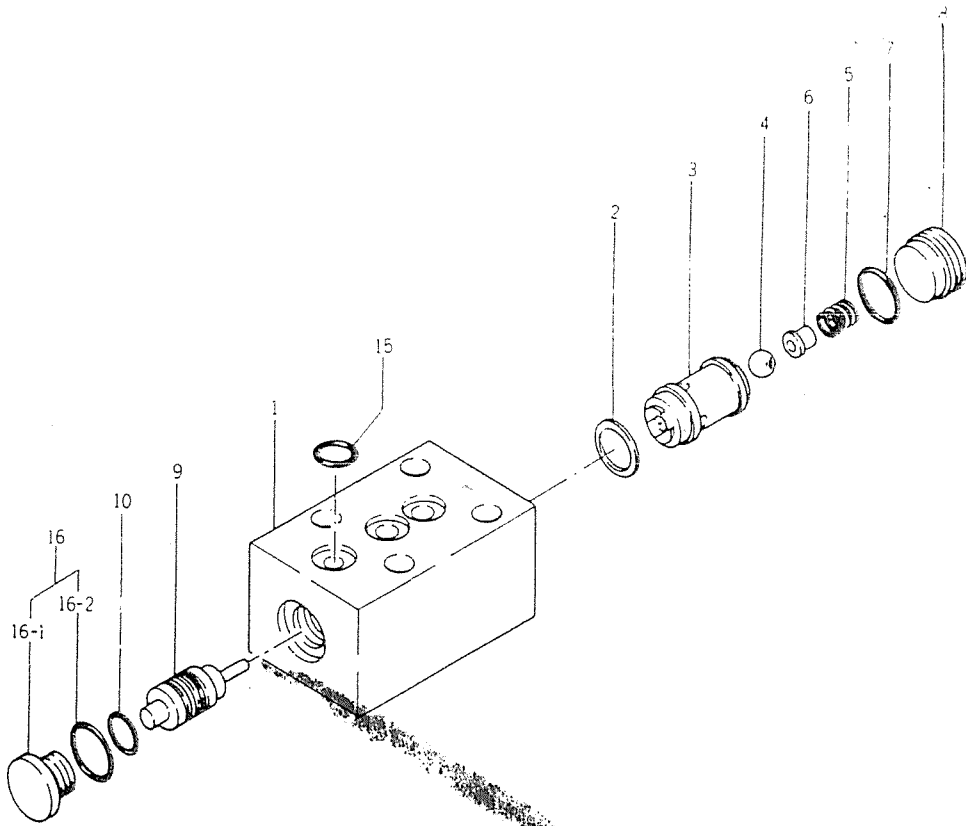
VALVE-DOUBLE CHECK



REF. NO.	PART NO.	PART NAME	Q'ty	SUPP. CODE	NOTE
1	629-83301001	BODY	1		
2	629-62902003	CONNECTOR	2		
3	629-62803003	SPRING	1		
4	629-83303001	SPRING	1		
5	629-83304001	PLUG	2		
6	629-83306001	PLUNGER-CHECK	2		
7	001-60902002	PLUG	2		
8	001-36120160	O-RING	2		
9	001-36120180	O-RING	2		

629-66700012

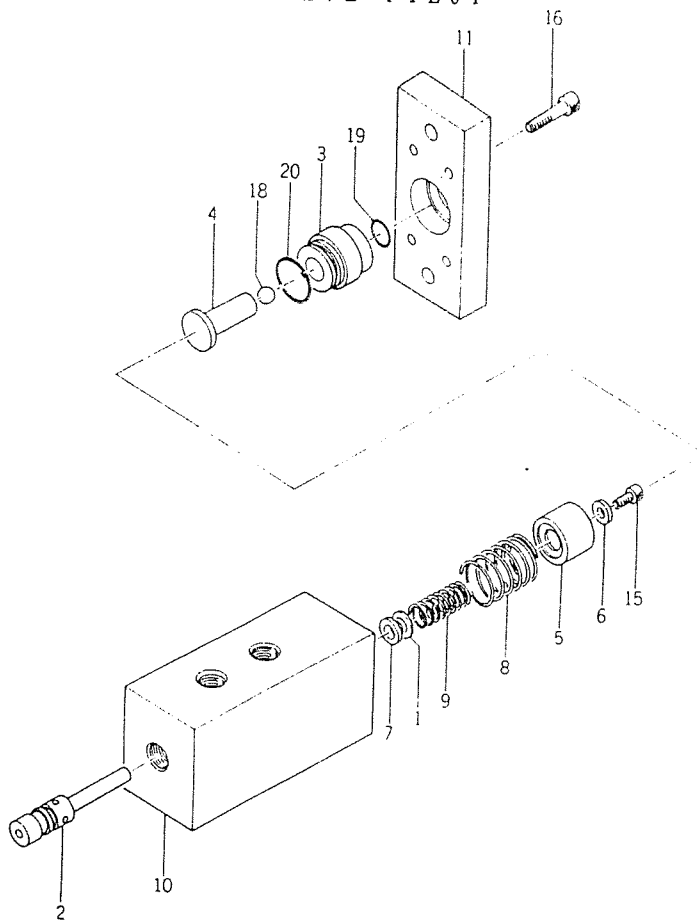
VALVE-PILOT CHECK



REF. NO.	PART NO.	PART NAME	Q'ty	SUPP. CODE	NOTE
1	629-68001001	HOUSING	1		
2	629-66502001	GASKET	1		
3	629-66503001	SEAT	1		
4	629-66504001	BALL-STEEL	1		
5	629-66505001	SPRING	1		
6	629-66510001	SEAT-SPRING	1		
7	629-66607001	O-RING	1		
8	629-66608021	PLUG	1		
9	629-66609021	PISTON	1		
10	001-36110120	O-RING	1		
15	001-36120120	O-RING	3		
16	629-81816002	PLUG SET	1		
- 1	629-68017001	PLUG	1		
- 2	001-36120160	O-RING	1		

629-71700002

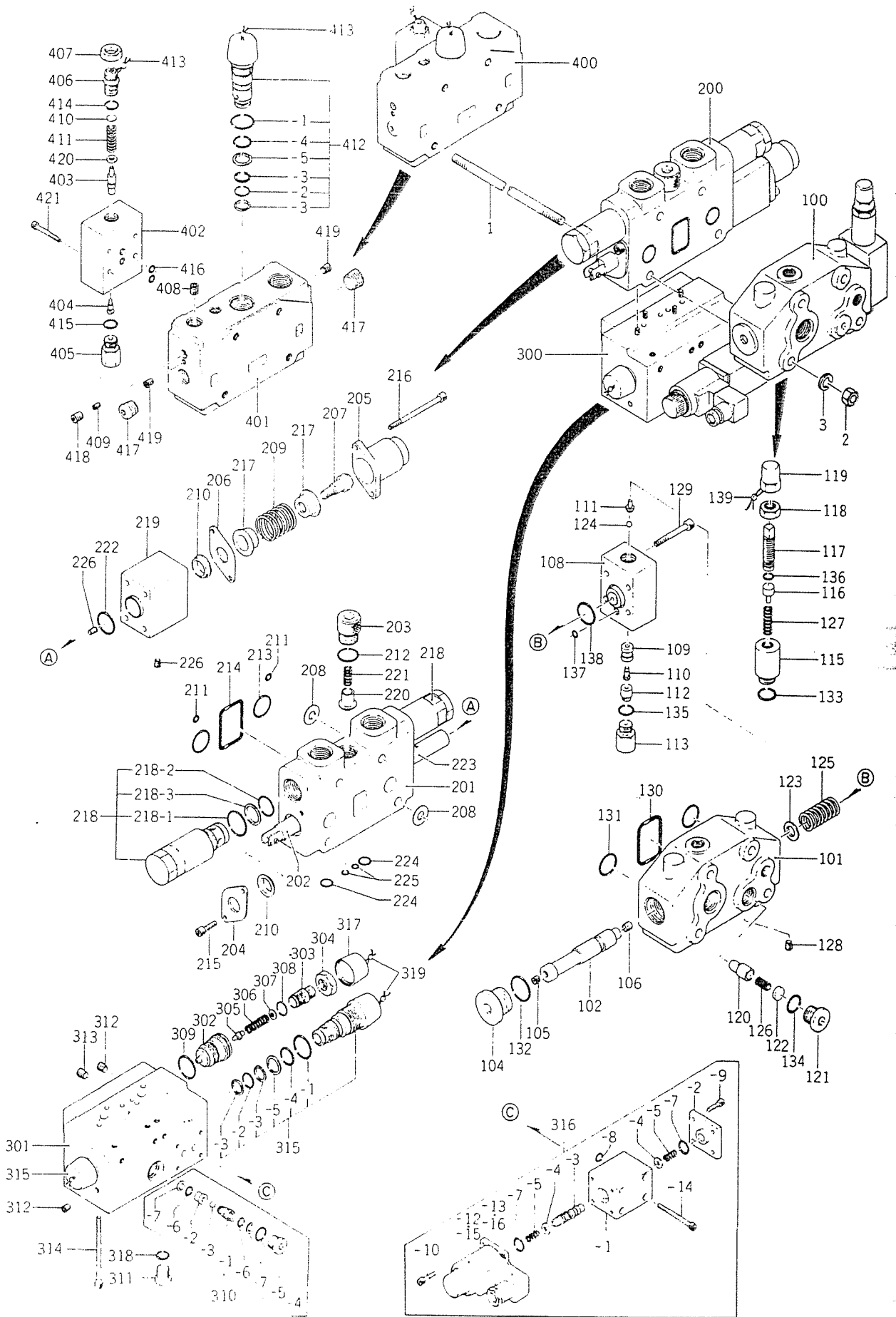
VALVE-PILOT



REF. NO.	PART NO.	PART NAME	Q'ty	SUPP. CODE	NOTE
1	629-71701001	SHIM	AR		
2	629-71702001	SPOOL	1		
3	629-71703001	SOCKET	1		
4	629-71704001	PUSHER	1		
5	629-71705001	SLEEVE	1		
6	629-71706001	WASHER	1		
7	629-71707001	HOLDER-SPRING	1		
8	629-71708001	SPRING	1		
9	629-71709001	SPRING	1		
10	629-71710001	HOUSING	1		
11	629-71711001	COVER	1		
15	629-72420001	BOLT-HEXAGON SOCKET	1		
16	001-10506025	BOLT-HEXAGON SOCKET	4		
18	629-33513001	BALL-STEEL	1		
19	001-36110100	O-RING	1		
20	001-36110160	O-RING	1		

629-79300003

VALVE-CONTROL



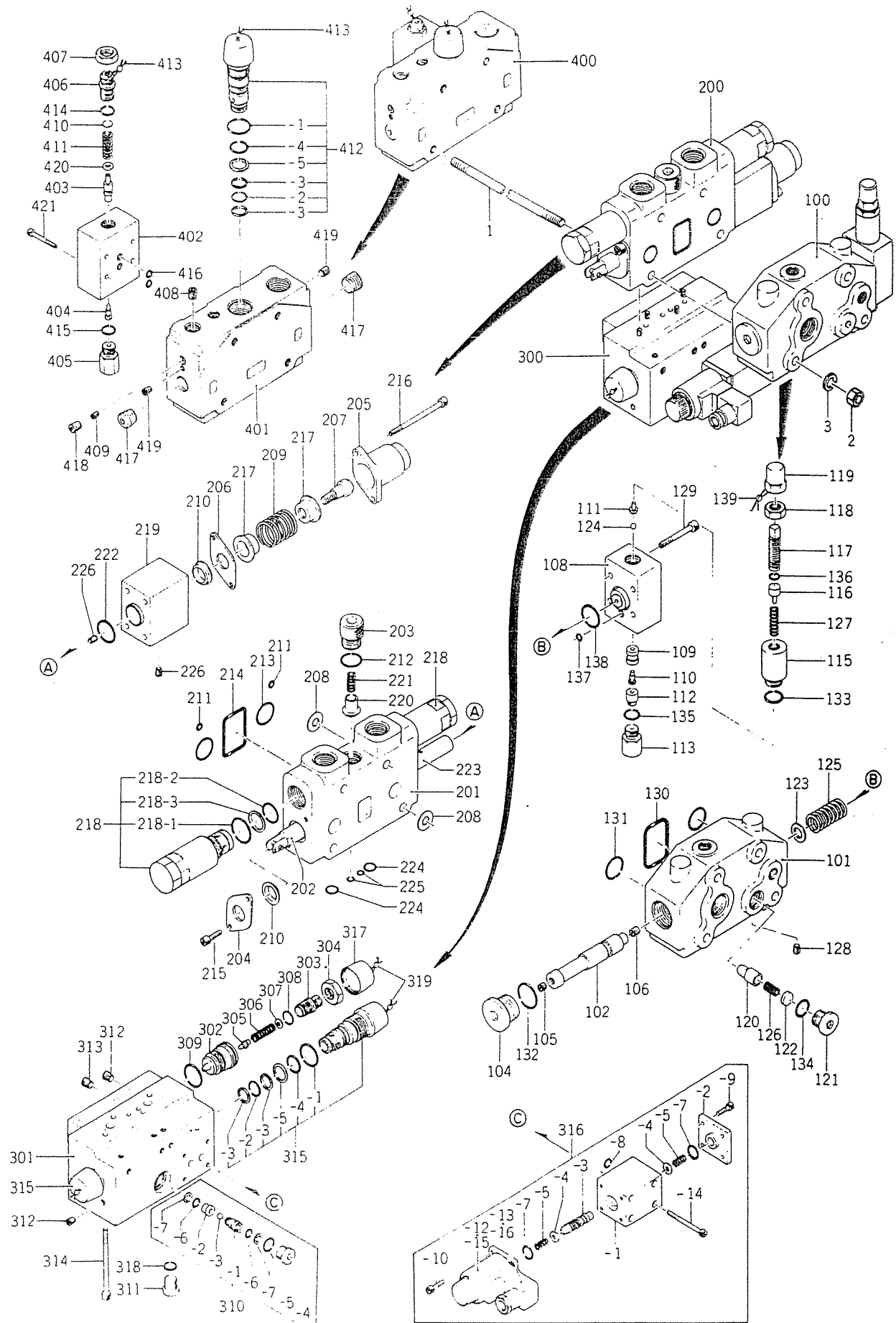
629-79300003

VALVE-CONTROL

REF. NO.	PART NO.	P A R T N A M E	Q'ty	SUPP. CODE	NOTE
1	629-76505001	BOLT-STUD	4		
2	629-37255001	NUT	4		
3	001-12112002	WASHER-SPRING	4		
100	629-76500101	COVER(P) SECTION	1		
101	629-76501101	COVER(P)	1		
102	629-76502101	SPOOL	1		
104	629-41056011	PLUG(PF1)	1		
105	629-76505101	ORIFICE	1		
106	629-76506101	ORIFICE	1		
108	629-76508101	BODY-PILOT	1		
109	629-40431001	SEAT-PILOT	1		
110	629-40430001	PISTON-CONTROL	1		
111	639-17106001	RETAINER	1		
112	629-76512101	RETAINER	1		
113	629-49654002	BUSHING	1		
115	639-17110001	GUIDE-SCREW	1		
116	639-17109001	SEAT-SPRING	1		
117	629-36913001	SCREW-ADJUST	1		
118	639-16609001	NUT-LOCK	1		
119	639-51414001	NUT-CAP	1		
120	629-34736011	PLUNGER	1		
121	629-78526001	PLUG	1		
122	629-76522101	PIECE-DISTANCE	1		
123	001-12212000	WASHER	1		
124	639-40622001	BALL-STEEL	1		
125	629-76525101	SPRING	1		
126	629-34764011	SPRING	1		
127	639-17111001	SPRING	1		
128	639-48512001	PLUG	1		
129	001-10508050	BOLT-HEXAGON SOCKET	4		
130	629-50951000	O-RING	1		
131	629-50574001	O-RING	2		
132	001-36120290	O-RING	1		
133	001-36110220	O-RING	1		
134	001-36110180	O-RING	1		
135	001-36120140	O-RING	1		
136	001-36110101	O-RING	1		
137	001-36110060	O-RING	1		
138	629-53313201	O-RING	1		
139	639-16823001	WIRE	1		
200	629-76500203	BODY SECTION	1		
201	629-76501201	BODY	1		
202	629-76502202	SPOOL(AAL)	1		
203	629-40332002	PLUG	1		
204	629-49617002	COVER	1		
205	629-44519001	COVER-REAR	1		
206	629-50918001	PLATE	1		
207	629-42210001	END-SPOOL	1		
208	629-36905001	SHIM	8		

629-79300003

VALVE-CONTROL



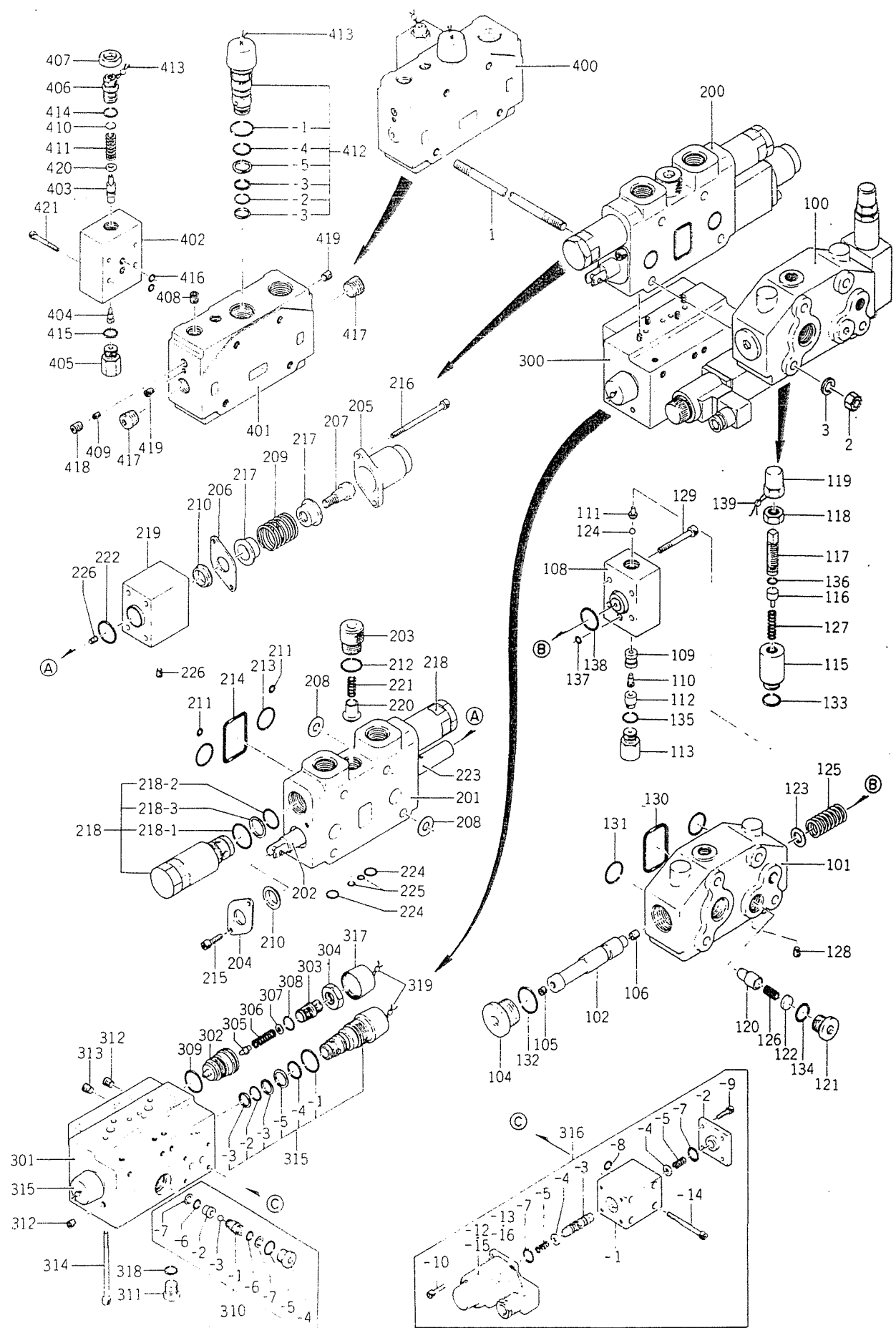
629-79300003

VALVE-CONTROL

REF. NO.	PART NO.	P A R T N A M E	Q'ty	SUPP. CODE	NOTE
209	629-55023001	SPRING	1		
210	629-34794021	PACKING	2		
211	001-36110050	O-RING	2		
212	001-36120210	O-RING	1		
213	629-50574001	O-RING	2		
214	629-50951000	O-RING	1		
215	001-10508014	BOLT-HEXAGON SOCKET	2		
216	001-10508085	BOLT-HEXAGON SOCKET	4		
217	629-40338002	SEAT-SPRING	2		
218	629-77600701	ANTICAVITATION VALVE	2		
- 1	009-46001030	O-RING	1		
- 2	001-36110210	O-RING	1		
- 3	001-37102102	RING-BACK UP	1		
219	629-76519201	COVER	1		
220	629-44526001	PLUNGER-CHECK	1		
221	629-36867001	SPRING	1		
222	629-76522201	O-RING	1		
223	629-76523203	SPOOL	1		
224	001-36120140	O-RING	2		
225	001-36120060	O-RING	2		
226	639-48512001	PLUG	2		
300	629-76500301	BRAKE VALVE SECTION	1		
301	629-77201101	BODY	1		
302	639-25805001	SEAT-VALVE	1		
303	639-40005001	SCREW-ADJUST	1		
304	639-40006001	NUT	1		
305	609-37112401	POPPET	1		
306	629-76506301	SPRING	1		
307	639-40009001	SHIM	1		
308	629-53352001	O-RING	1		
309	639-12812003	O-RING	1		
310	629-77600901	SHUTTLE VALVE ASSY	1		
- 1	629-77601901	GUIDE	1		
- 2	629-77602901	SEAT-VALVE	1		
- 3	629-24820001	BALL-STEEL	1		
- 4	629-77604901	PLUG	1		
- 5	629-77605901	O-RING	1		
- 6	629-77606901	O-RING	2		
- 7	629-77607901	RING-BACK UP	2		
311	629-20826011	PLUG	1		
312	639-48512001	PLUG	14		
313	001-60902002	PLUG	4		
314	629-77214101	BOLT-HEXAGON SOCKET	4		
315	629-77600801	RELIEF VALVE ASSY	2		
- 1	639-12812003	O-RING	1		
- 2	009-46301012	O-RING	1		
- 3	639-12810003	RING-BACK UP	2		
- 4	009-46301013	O-RING	1		
- 5	639-12811003	RING-BACK UP	1		
316	629-76500501	SOLENOID VALVE ASSY	1		

629-79300003

VALVE-CONTROL



629-79300003

VALVE-CONTROL

REF. NO.	PART NO.	PART NAME	Q'ty	SUPP. CODE	NOTE
- 1	629-24501001	BODY	1		
- 2	629-24502001	COVER	1		
- 3	629-76503501	SPOOL(A)	1		
- 4	629-24506001	SEAT-SPRING	2		
- 5	629-24505001	SPRING	2		
- 7	629-24507001	O-RING	2		
- 8	009-46302007	O-RING	4		
- 9	629-24511001	BOLT-HEXAGON SOCKET	4		
- 10	629-24512001	BOLT-HEXAGON SOCKET	4		
- 12	629-76512501	SOLENOID	1		
- 13	629-13213101	CONNECTOR(A)	1		
- 14	629-24510001	BOLT-HEXAGON SOCKET	4		
- 15	629-24616001	O-RING	2		
- 16	629-76516501	ABSORBER-SURGE	1		
317	629-77217101	CAP	1		
318	001-36110110	O-RING	1		
319	639-16823001	WIRE	3		
400	629-76500401	COVER(T) SECTION	1		
401	629-76501401	COVER(T)	1		
402	629-76502401	BODY	1		
403	629-76503401	SPOOL	1		
404	629-40430001	PISTON-CONTROL	1		
405	629-49654002	BUSHING	1		
406	639-40005001	SCREW-ADJUST	1		
407	639-40006001	NUT	1		
408	629-77624401	ORIFICE	1		
409	629-76509401	ORIFICE	1		
410	639-40009001	SHIM	1		
411	639-25808001	SPRING	1		
412	629-53300101	VALVE(PC) ASSY	1		
- 1	639-12812003	O-RING	1		
- 2	009-46301012	O-RING	1		
- 3	639-12810003	RING-BACK UP	2		
- 4	009-46301013	O-RING	1		
- 5	639-12811003	RING-BACK UP	1		
413	639-16823001	WIRE	2		
414	629-53352001	O-RING	1		
415	001-36120140	O-RING	1		
416	001-36120050	O-RING	2		
417	001-60908002	PLUG	2		
418	001-60902002	PLUG	1		
419	639-48512001	PLUG	2		
420	001-12206000	WASHER	1		
421	629-76521401	BOLT-HEXAGON SOCKET	4		

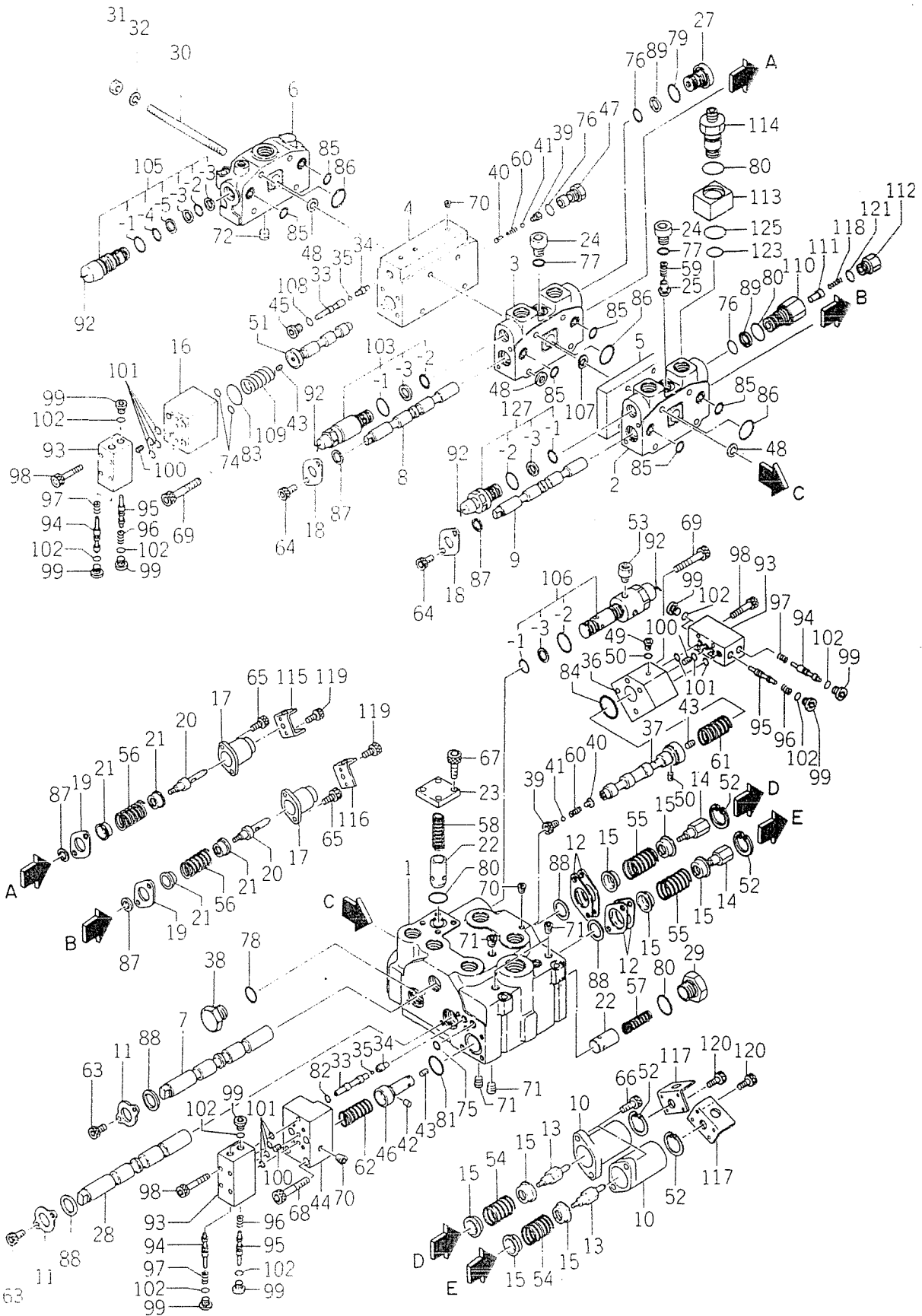
629-7940007

VALVE-CONTROL

REF. NO.	PART NO.	PART NAME	Q'ty	SUPP. CODE	NOTE
1	629-55001001	BODY	1		
2	629-44503022	BODY	1		
3	629-78203001	BODY	1		
4	629-78204001	BLOCK-VALVE	1		
5	629-44686011	PLATE-TANDEM	1		
6	629-53005001	COVER	1		
7	629-78207001	SPOOL(YJ)	1		
8	629-78208001	SPOOL(CFG)	1		
9	629-78209001	SPOOL(LD)	1		
10	629-55007001	COVER	2		
11	629-55008001	COVER	2		
12	629-39809001	PLATE	4		
13	629-55011001	END-SPOOL	2		
14	629-44546001	CONNECTOR	2		
15	629-37515002	RETAINER	8		
16	629-78216001	COVER	1		
17	629-55018001	COVER	2		
18	629-49617002	COVER	2		
19	629-50918001	PLATE	2		
20	629-55021001	END-SPOOL	2		
21	629-40338002	SEAT-SPRING	4		
22	629-60102001	PLUNGER-CHECK	2		
23	629-78223001	FLANGE	1		
24	629-40332002	PLUG	2		
25	629-44526001	PLUNGER-CHECK	1		
27	629-31545001	PLUG	1		
28	629-78228001	SPOOL(YG)	1		
29	629-55024001	PLUG	1		
30	629-19407001	BOLT-STUD	4		
31	629-37255001	NUT	4		
32	001-12112002	WASHER-SPRING	4		
33	629-55039001	BARREL	3		
34	629-55040001	SEAT-VALVE	3		
35	629-55041001	BALL-STEEL	3		
36	629-77142001	COVER	1		
37	629-55043001	SPOOL(K2)	1		
38	629-55045001	PLUG	1		
39	629-55046001	PLUG	2		
40	629-55047001	RETAINER	2		
41	639-40622001	BALL-STEEL	2		
42	629-55050001	ORIFICE	1		
43	629-50612001	ORIFICE	3		
44	629-55054001	COVER	1		
45	629-20826011	PLUG	1		
46	629-55055001	SPOOL(L1)	1		
47	629-78247001	PLUG	1		
48	629-36905001	SHIM	18		
49	639-48208001	PLUG	1		
50	001-36120080	O-RING	1		
51	629-78251001	SPOOL(M3)	1		
52	629-90516001	RING-SNAP(H)	4		
53	629-37529011	BUSHING	1		
54	629-31570001	SPRING	2		

629-79400007

VALVE-CONTROL



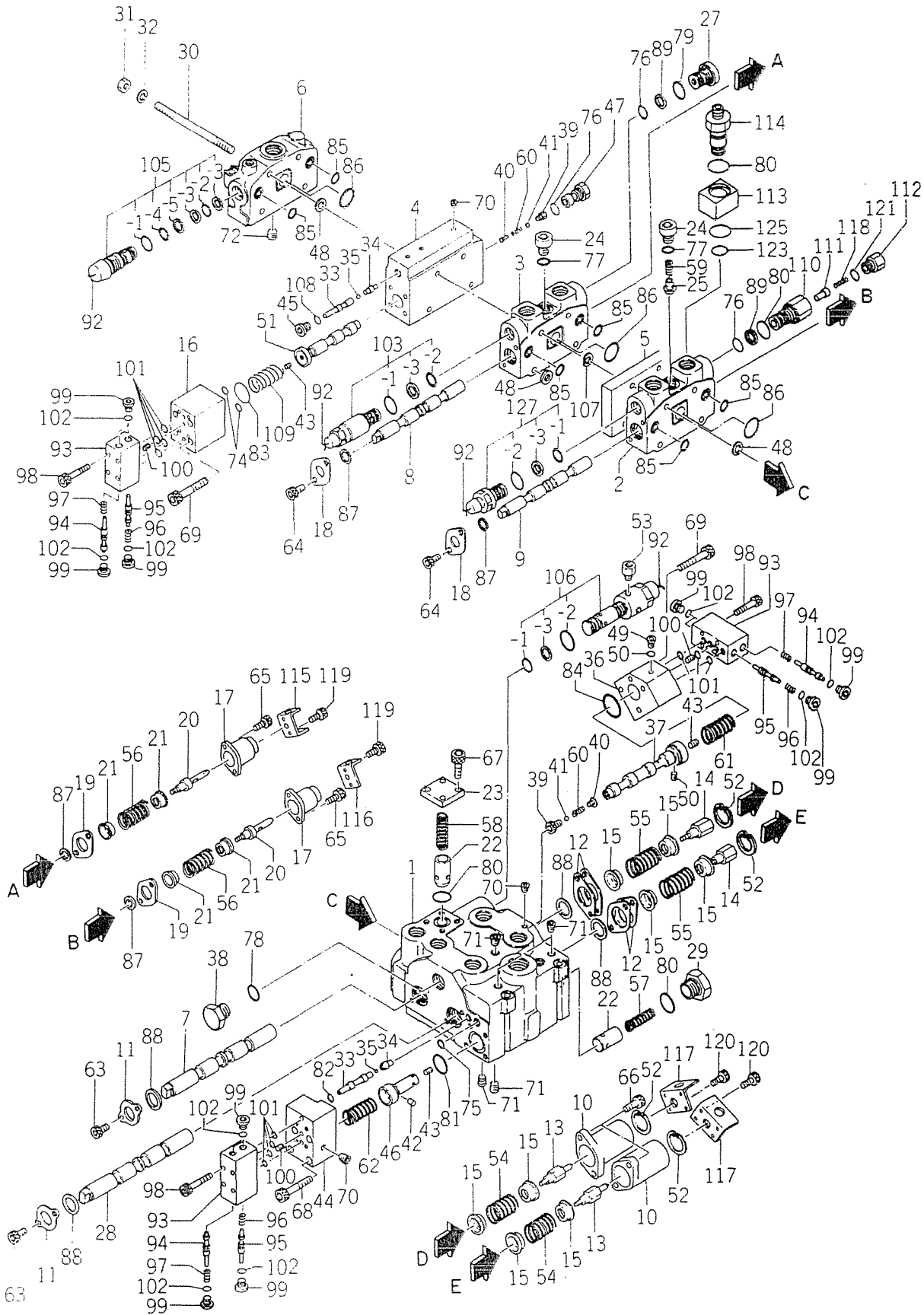
629-79400007

VALVE-CONTROL

REF. NO.	PART NO.	PART NAME	Q'ty	SUPP. CODE	NOTE
55	629-36868001	SPRING	2		
56	629-36866001	SPRING	2		
57	629-37137001	SPRING	1		
58	629-55028001	SPRING	1		
59	629-36867001	SPRING	1		
60	629-55048001	SPRING	2		
61	629-55052001	SPRING	1		
62	629-55057001	SPRING	1		
63	001-10506010	BOLT-HEXAGON SOCKET	4		
64	001-10508014	BOLT-HEXAGON SOCKET	4		
65	001-10508020	BOLT-HEXAGON SOCKET	4		
66	001-10508025	BOLT-HEXAGON SOCKET	4		
67	001-10510035	BOLT-HEXAGON SOCKET	4		
68	001-10510060	BOLT-HEXAGON SOCKET	4		
69	001-10510075	BOLT-HEXAGON SOCKET	8		
70	639-48512001	PLUG	7		
71	001-60906002	PLUG	10		
72	001-60908002	PLUG	1		
73	001-36120050	O-RING	2		
74	001-36120090	O-RING	2		
75	001-36110100	O-RING	2		
76	001-36110210	O-RING	3		
77	001-36120210	O-RING	2		
78	001-36120290	O-RING	1		
79	009-46001030	O-RING	2		
80	009-46002030	O-RING	4		
81	009-46002040	O-RING	1		
82	629-55078001	O-RING	2		
83	629-78252001	O-RING	1		
84	629-53088001	O-RING	1		
85	629-50574001	O-RING	10		
86	629-50951000	O-RING	5		
87	629-34794021	PACKING	4		
88	629-55085001	PACKING	4		
89	001-37102102	RING-BACK UP	2		
92	639-16823001	WIRE	4		
93	629-78253001	BODY-PILOT	3		
94	629-78254001	SPOOL	3		
95	629-78255001	SPOOL	3		
96	639-32309001	SPRING	3		
97	639-32308001	SPRING	3		
98	609-37115501	BOLT-HEXAGON SOCKET	12		
99	629-20826011	PLUG	12		
100	639-32305001	ORIFICE	3		
101	001-36120090	O-RING	12		
102	001-36120110	O-RING	12		
103	629-78200101	RELIEF VALVE ASSY	1		
- 1	009-46001030	O-RING	1		
- 2	001-36110210	O-RING	1		
- 3	001-37102102	RING-BACK UP	1		
105	629-32800111	RELIEF VALVE ASSY	1		
- 1	639-12812003	O-RING	1		

629-79400007

VALVE-CONTROL



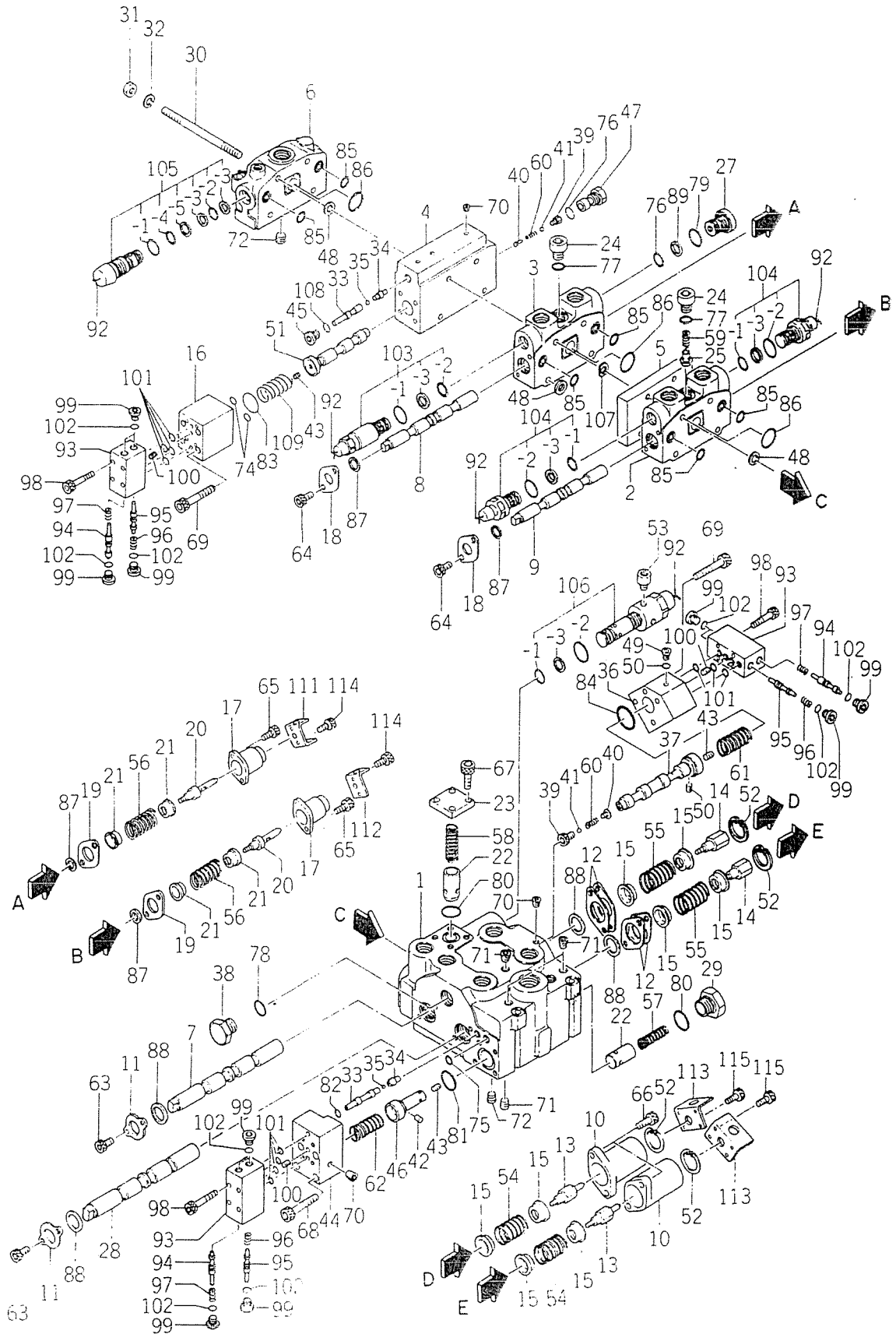
629-79400007

VALVE-CONTROL

REF. NO.	PART NO.	PART NAME	Q'ty	SUPP. CODE	NOTE
- 2	009-46301012	O-RING	1		
- 3	639-12810003	RING-BACK UP	2		
- 4	009-46301013	O-RING	1		
- 5	639-12811003	RING-BACK UP	1		
106	669-10107001	RELIEF VALVE ASSY	1		
- 1	001-36110221	O-RING	1		
- 2	009-46001035	O-RING	1		
- 3	001-37102212	RING-BACK UP	1		
107	629-78256001	SHIM	2		
108	001-36120110	O-RING	1		
109	629-78257001	SPRING	1		
110	629-78258001	BODY	1		
111	629-77604401	PISTON	1		
112	629-78259001	BUSHING	1		
113	629-78260001	PLATE	1		
114	629-78261001	BUSHING	1		
115	629-78262001	BRACKET	1		
116	629-78263001	BRACKET	1		
117	629-78264001	BRACKET	2		
118	629-77605401	SPRING	1		
119	629-78265001	BOLT-HEXAGON SOCKET	4		
120	629-53390021	BOLT-HEXAGON SOCKET	8		
121	001-36120180	O-RING	1		
123	001-36120240	O-RING	1		
125	009-46002035	O-RING	1		
127	629-55000101	RELIEF VALVE ASSY	1		
- 1	001-36110210	O-RING	1		
- 2	629-55001401	O-RING	1		
- 3	001-37102102	RING-BACK UP	1		

629-79500006

VALVE-CONTROL



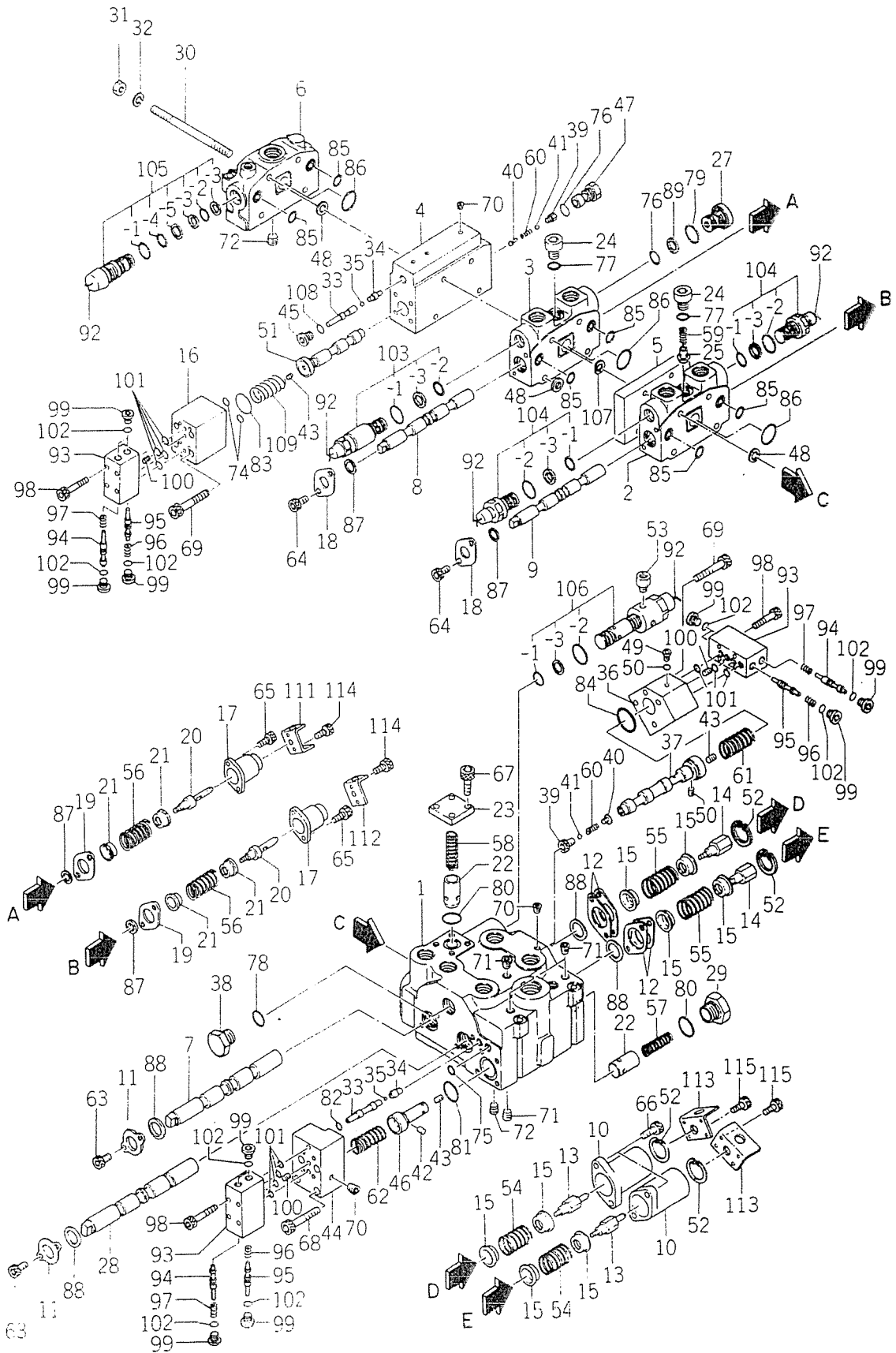
629-79500006

VALVE-CONTROL

REF. NO.	PART NO.	PART NAME	Q'ty	SUPP. CODE	NOTE
1	629-55001001	BODY	1		
2	629-44503022	BODY	1		
3	629-78203001	BODY	1		
4	629-78204001	BLOCK-VALVE	1		
5	629-44686011	PLATE-TANDEM	1		
6	629-53005001	COVER	1		
7	629-78207001	SPOOL(YJ)	1		
8	629-78208001	SPOOL(CFG)	1		
9	629-78209001	SPOOL(LD)	1		
10	629-55007001	COVER	2		
11	629-55008001	COVER	2		
12	629-39809001	PLATE	4		
13	629-55011001	END-SPOOL	2		
14	629-44546001	CONNECTOR	2		
15	629-37515002	RETAINER	8		
16	629-78216001	COVER	1		
17	629-55018001	COVER	2		
18	629-49617002	COVER	2		
19	629-50918001	PLATE	2		
20	629-55021001	END-SPOOL	2		
21	629-40338002	SEAT-SPRING	4		
22	629-60102001	PLUNGER-CHECK	2		
23	629-78223001	FLANGE	1		
24	629-40332002	PLUG	2		
25	629-44526001	PLUNGER-CHECK	1		
27	629-31545001	PLUG	2		
28	629-78228001	SPOOL(YG)	1		
29	629-55024001	PLUG	1		
30	629-19407001	BOLT-STUD	4		
31	629-37255001	NUT	4		
32	001-12112002	WASHER-SPRING	4		
33	629-55039001	BARREL	3		
34	629-55040001	SEAT-VALVE	3		
35	629-55041001	BALL-STEEL	3		
36	629-77142001	COVER	1		
37	629-55043001	SPOOL(K2)	1		
38	629-55045001	PLUG	1		
39	629-55046001	PLUG	2		
40	629-55047001	RETAINER	2		
41	639-40622001	BALL-STEEL	2		
42	629-55050001	ORIFICE	1		
43	629-50612001	ORIFICE	3		
44	629-55054001	COVER	1		
45	629-20826011	PLUG	1		
46	629-55055001	SPOOL(L1)	1		
47	629-78247001	PLUG	1		
48	629-36905001	SHIM	18		
49	639-48208001	PLUG	1		
50	001-36120080	O-RING	1		
51	629-78251001	SPOOL(M3)	1		
52	629-90516001	RING-SNAP(H)	4		
53	629-37529011	BUSHING	1		
54	629-31570001	SPRING	2		

629-79500006

VALVE-CONTROL



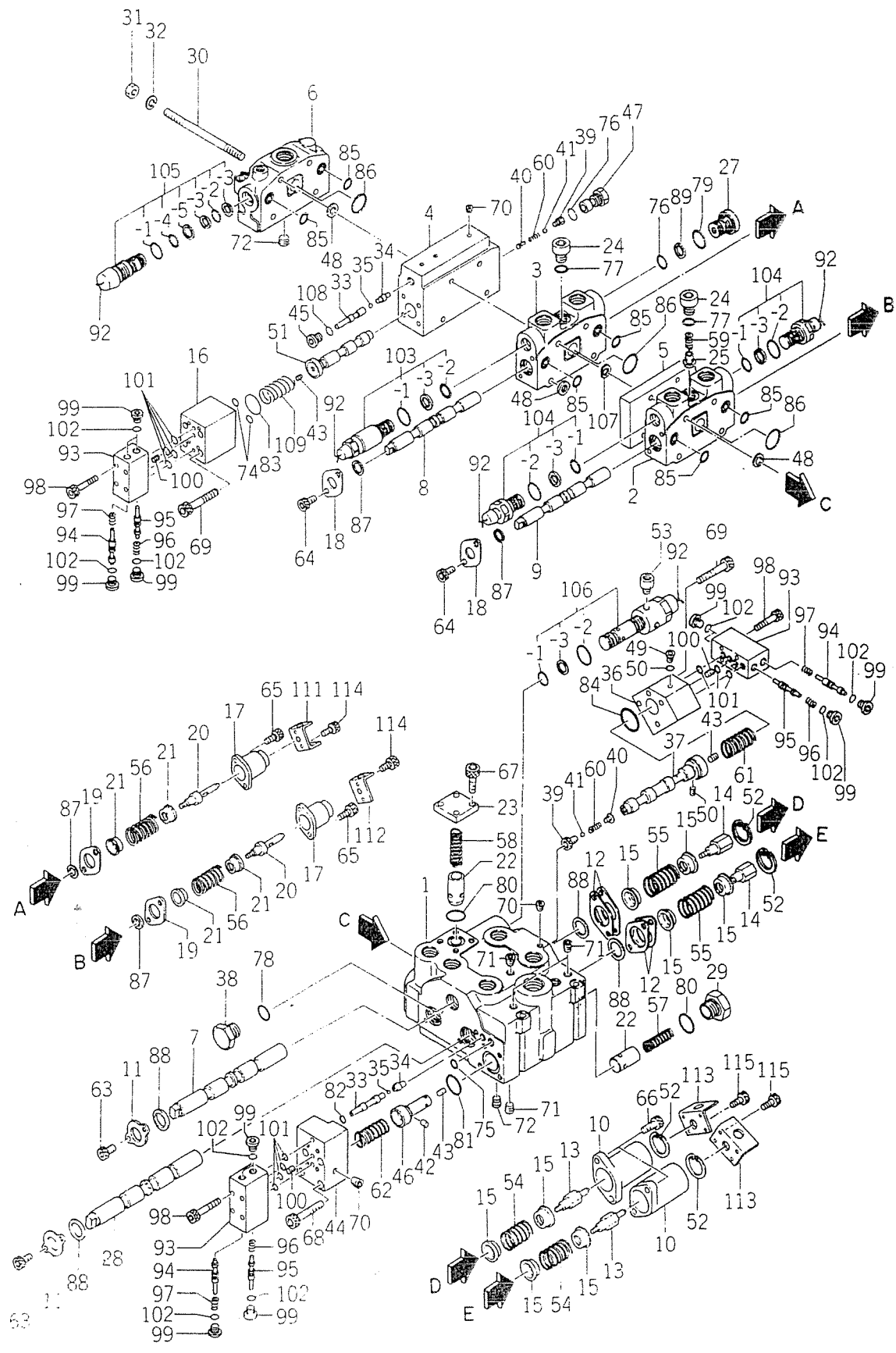
629-79500006

VALVE-CONTROL

REF. NO.	PART NO.	PART NAME	Q'ty	SUPP. CODE	NOTE
55	629-36868001	SPRING	2		
56	629-36866001	SPRING	2		
57	629-37137001	SPRING	1		
58	629-55028001	SPRING	1		
59	629-36867001	SPRING	1		
60	629-55048001	SPRING	2		
61	629-55052001	SPRING	1		
62	629-55057001	SPRING	1		
63	001-10506010	BOLT-HEXAGON SOCKET	4		
64	001-10508014	BOLT-HEXAGON SOCKET	4		
65	001-10508020	BOLT-HEXAGON SOCKET	4		
66	001-10508025	BOLT-HEXAGON SOCKET	4		
67	001-10510035	BOLT-HEXAGON SOCKET	4		
68	001-10510060	BOLT-HEXAGON SOCKET	4		
69	001-10510075	BOLT-HEXAGON SOCKET	8		
70	639-48512001	PLUG	7		
71	001-60906002	PLUG	10		
72	001-60908002	PLUG	1		
73	001-36120050	O-RING	2		
74	001-36120090	O-RING	2		
75	001-36110100	O-RING	2		
76	001-36110210	O-RING	3		
77	001-36120210	O-RING	2		
78	001-36120290	O-RING	1		
79	009-46001030	O-RING	2		
80	009-46002030	O-RING	2		
81	009-46002040	O-RING	1		
82	629-55078001	O-RING	2		
83	629-78252001	O-RING	1		
84	629-53088001	O-RING	1		
85	629-50574001	O-RING	10		
86	629-50951000	O-RING	5		
87	629-34794021	PACKING	4		
88	629-55085001	PACKING	4		
89	001-37102102	RING-BACK UP	2		
92	639-16823001	WIRE	4		
93	629-78253001	BODY-PILOT	3		
94	629-78254001	SPOOL	3		
95	629-78255001	SPOOL	3		
96	639-32309001	SPRING	3		
97	639-32308001	SPRING	3		
98	609-37115501	BOLT-HEXAGON SOCKET	12		
99	629-20826011	PLUG	12		
100	639-32305001	ORIFICE	3		
101	001-36120090	O-RING	12		
102	001-36120110	O-RING	12		
103	629-78200101	RELIEF VALVE ASSY	1		
- 1	009-46001030	O-RING	1		
- 2	001-36110210	O-RING	1		
- 3	001-37102102	RING-BACK UP	1		
104	629-55000101	RELIEF VALVE ASSY	1		
- 1	001-36110210	O-RING	1		

629-79500006

VALVE-CONTROL



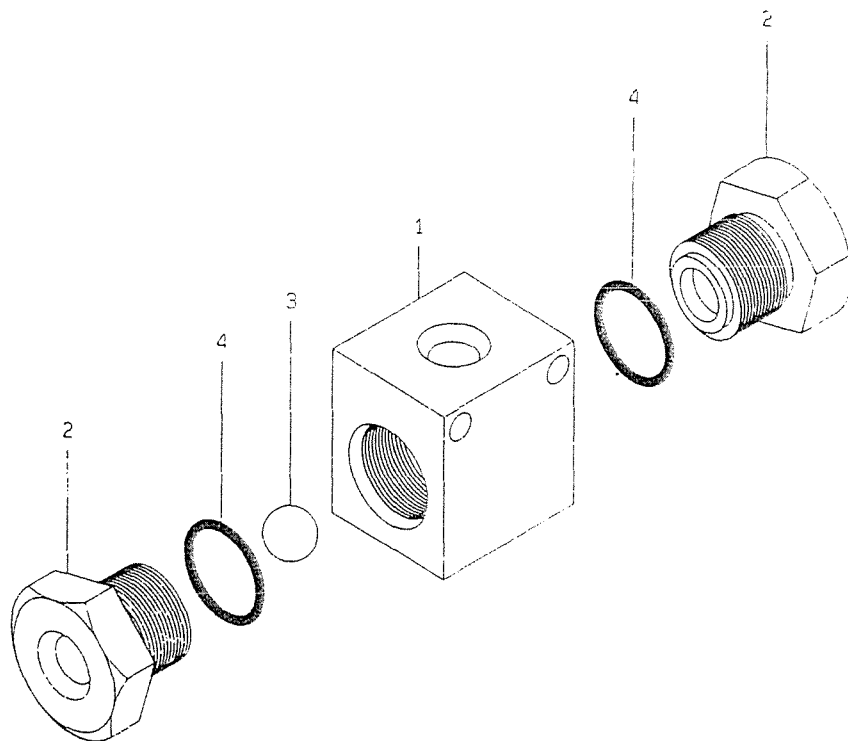
629-79500006

VALVE-CONTROL

REF. NO.	PART NO.	PART NAME	Q'ty	SUPP. CODE	NOTE
- 2	629-55001401	O-RING	1		
- 3	001-37102102	RING-BACK UP	1		
105	629-32800111	RELIEF VALVE ASSY	1		
- 1	639-12812003	O-RING	1		
- 2	009-46301012	O-RING	1		
- 3	639-12810003	RING-BACK UP	2		
- 4	009-46301013	O-RING	1		
- 5	639-12811003	RING-BACK UP	1		
106	669-10107001	RELIEF VALVE ASSY	1		
- 1	001-36110221	O-RING	1		
- 2	009-46001035	O-RING	1		
- 3	001-37102212	RING-BACK UP	1		
107	629-78256001	SHIM	2		
108	001-36120110	O-RING	1		
109	629-78257001	SPRING	1		
111	629-78262001	BRACKET	1		
112	629-78263001	BRACKET	1		
113	629-78264001	BRACKET	2		
114	629-78265001	BOLT-HEXAGON SOCKET	4		
115	629-53390021	BOLT-HEXAGON SOCKET	8		

629-80900001

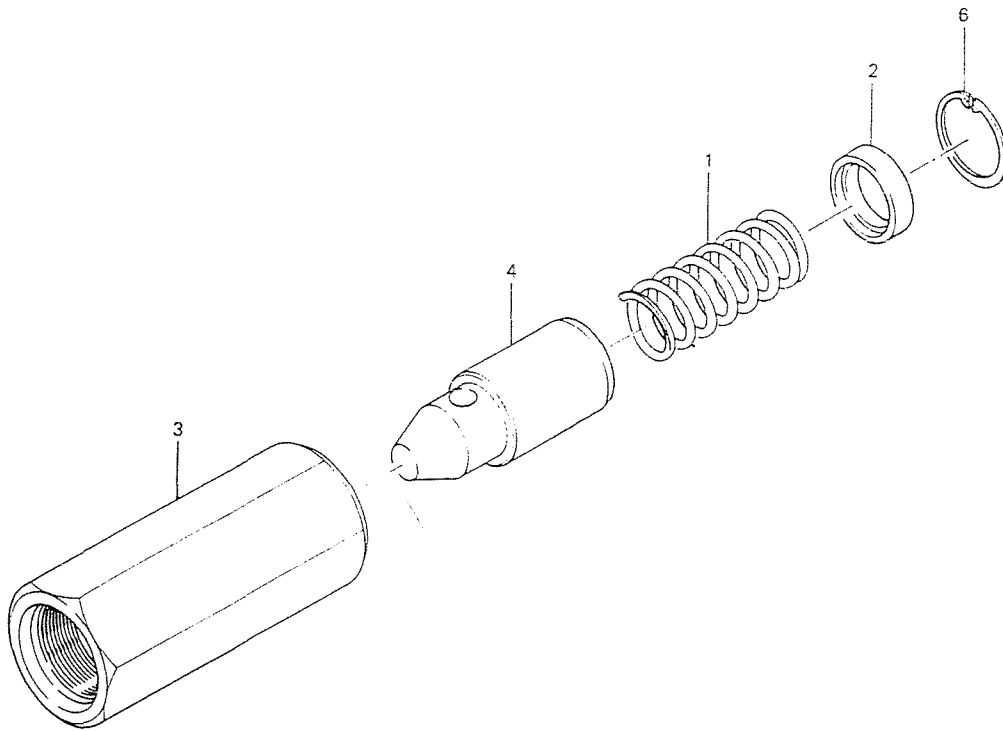
VALVE-SHUTTLE



REF. NO.	PART NO.	PART NAME	Q'ty	SUPP. CODE	NOTE
1	629-80901001	BODY	1		
2	629-80902001	PLUG	2		
3	629-80903001	BALL-STEEL	1		
4	001-36120200	O-RING	2		

629-81600001

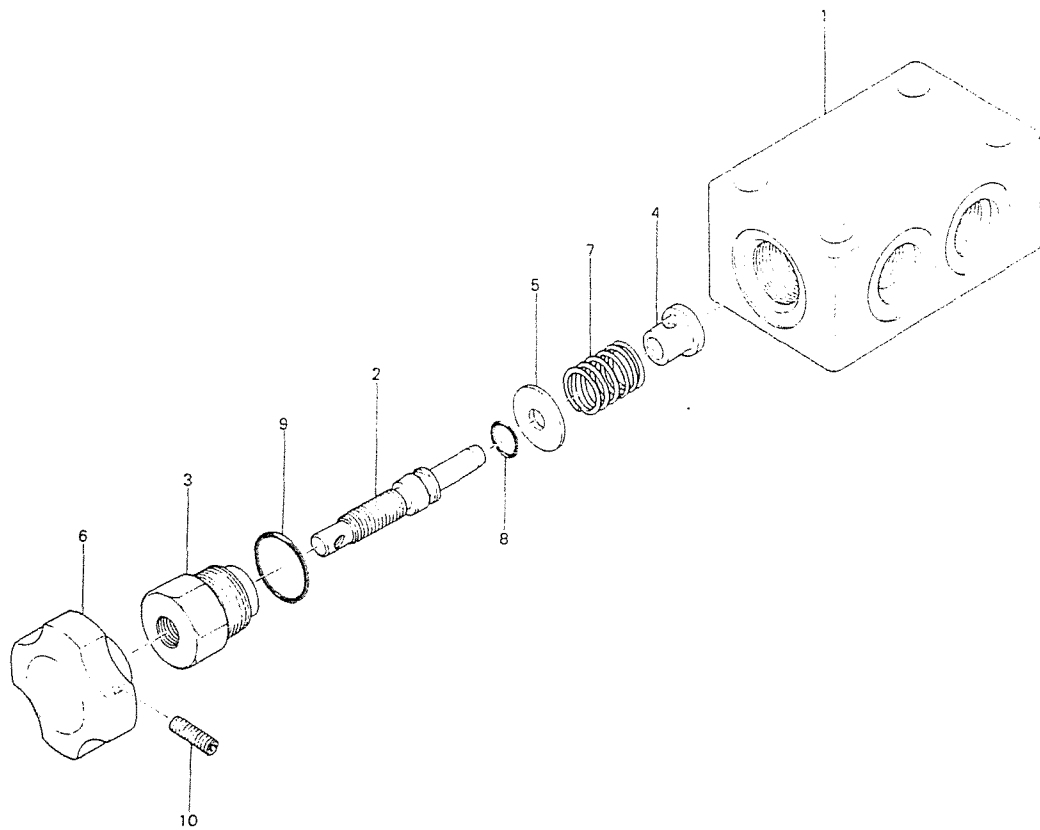
VALVE-INLINE CHECK



REF. NO.	PART NO.	PART NAME	Q'ty	SUPP. CODE	NOTE
1	629-81601001	SPRING	1		
2	629-81602001	WASHER	1		
3	629-81603001	CASE	1		
4	629-56145001	PLUNGER	1		
6	629-56182001	RING-SNAP	1		

629-81900001

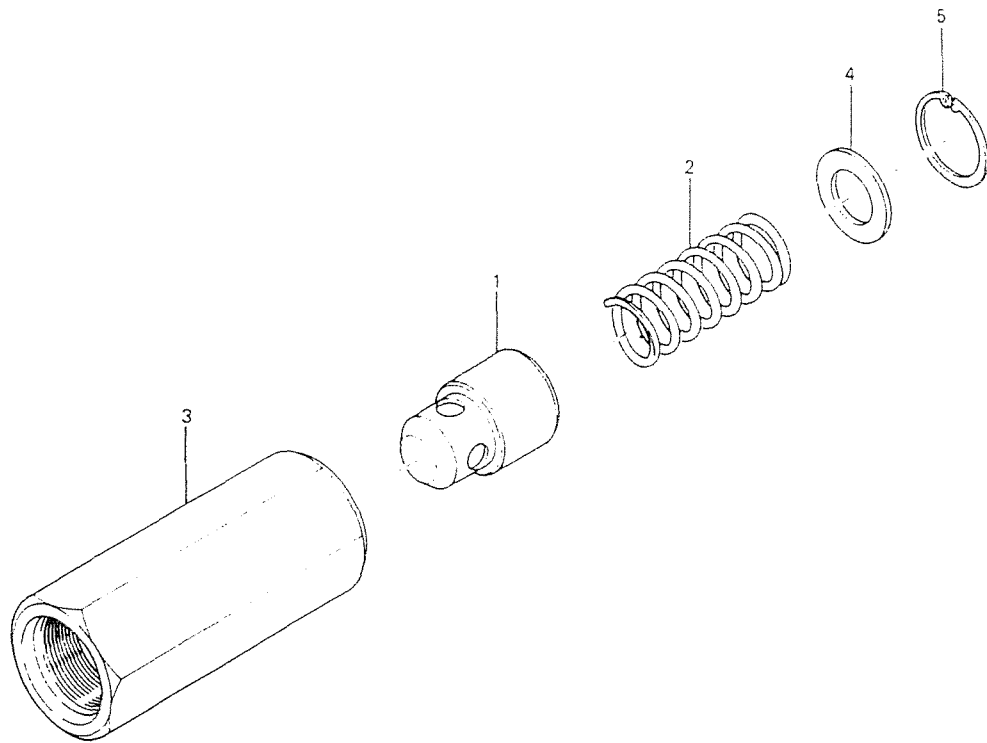
VALVE-THROTTLE CHECK



REF. NO.	PART NO.	PART NAME	Q'ty	SUPP. CODE	NOTE
1	629-81901001	BODY-VALVE	1		
2	629-81902001	SCREW-ADJUST	1		
3	629-81903001	CAP	1		
4	629-81904001	POPPET	1		
5	629-81905001	WASHER	1		
6	629-81906001	HANDLE	1		
7	629-81907001	SPRING	1		
8	009-46301005	O-RING	1		
9	009-46301012	O-RING	1		
10	629-81910001	SCREW-SET	1		

629-83000001

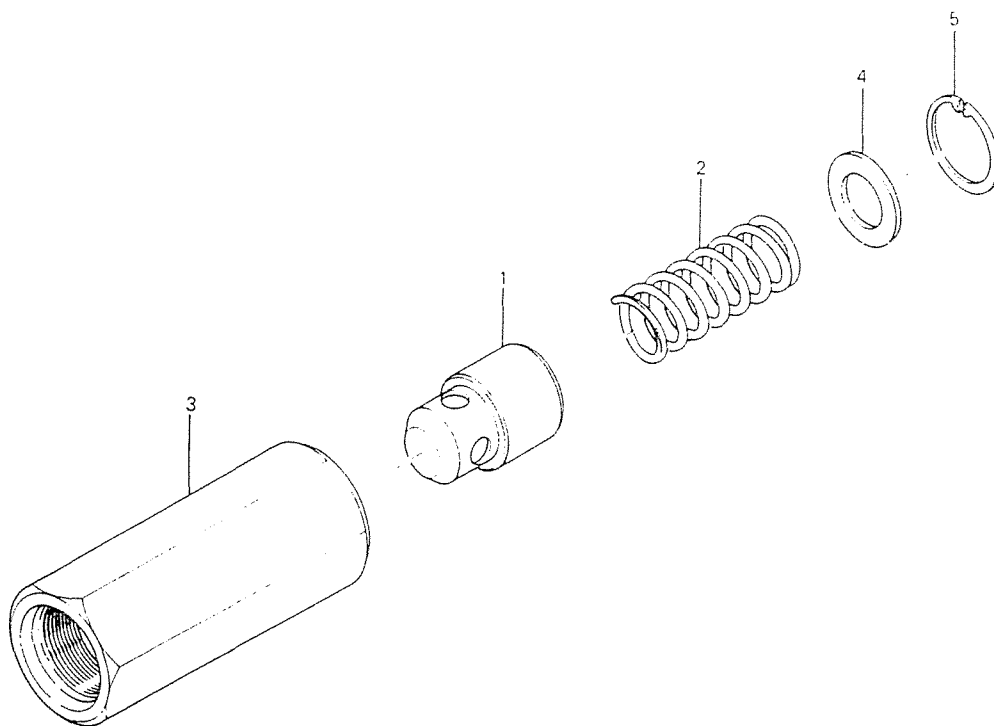
VALVE-INLINE CHECK



REF. NO.	PART NO.	PART NAME	Q'ty	SUPP. CODE		NOTE
1	629-83001001	PLUNGER	1			
2	629-83002001	SPRING	1			
3	629-83003001	CASE	1			
4	629-83004001	WASHER	1			
5	629-83005001	RING-SNAP	1			

629-83100001

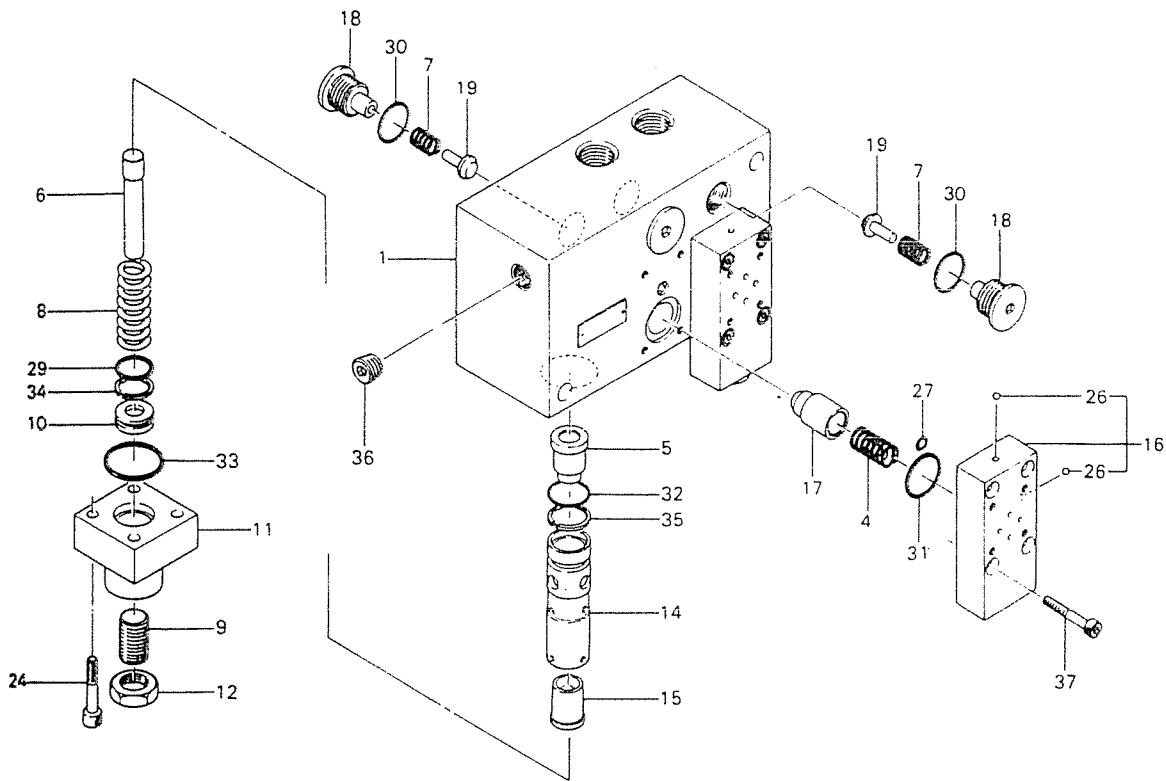
VALVE-INLINE CHECK



REF. NO.	PART NO.	PART NAME	Q'ty	SUPP. CODE	NOTE
1	629-83001001	PLUNGER	1		
2	629-83102001	SPRING	1		
3	629-83003001	CASE	1		
4	629-83004001	WASHER	1		
5	629-83005001	RING-SNAP	1		

629-84200011

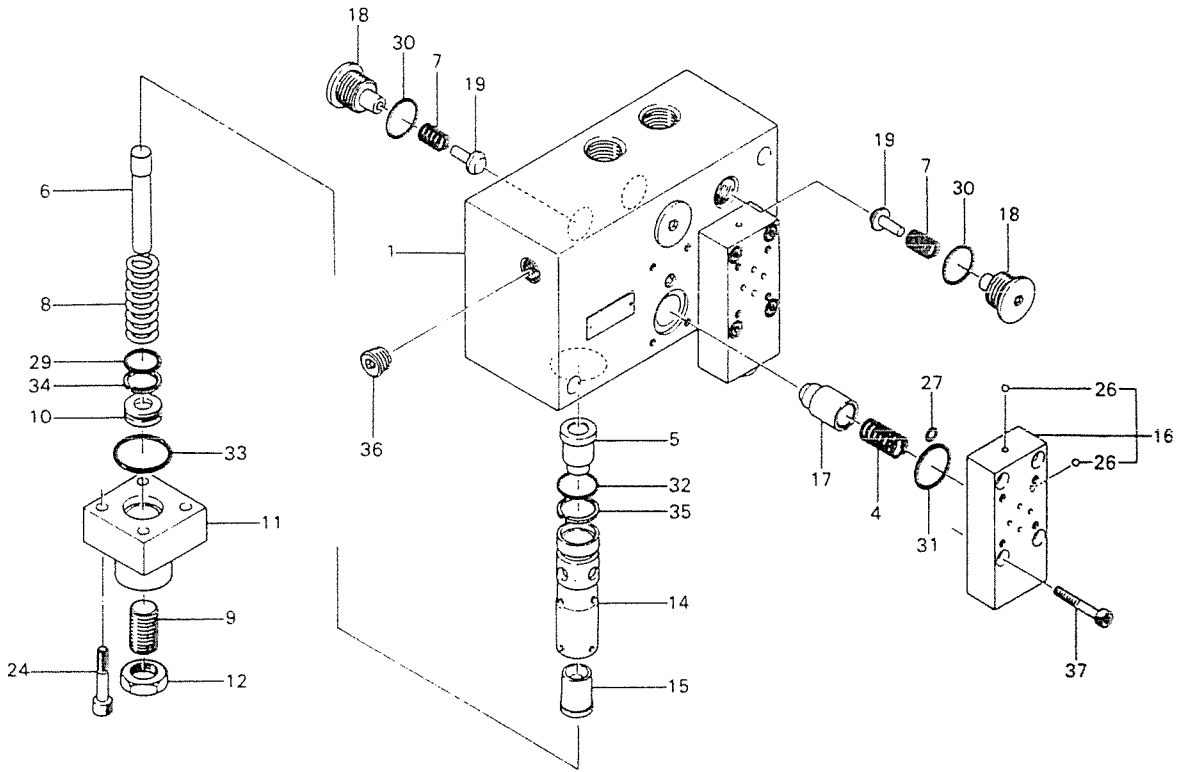
VALVE-CHECK BLOCK



REF. NO.	PART NO.	PART NAME	Q'ty	SUPP. CODE	NOTE
1	629-84201001	BODY	1		
4	629-84204001	SPRING	2		
5	629-84205001	SEAT	1		
6	629-84206001	PISTON	1		
7	629-84207001	SPRING	4		
8	629-84208001	SPRING	1		
9	629-84209001	SCREW-ADJUST	1		
10	629-84310002	PLUG	1		
11	629-84211001	COVER	1		
12	629-84212001	NUT	1		
14	629-84214001	SLEEVE	1		
15	629-84215001	POPPET	1		
16	629-95216001	PLATE-SUB	2		
17	629-84217001	PLUNGER	2		
18	629-84218001	PLUG	4		
19	629-84219001	CHECK	4		
24	001-10510045	BOLT-HEXAGON SOCKET	4		
26	629-57318001	BALL-STEEL	6		
27	001-36120070	O-RING	2		
29	001-36120210	O-RING	1		
30	001-36120240	O-RING	4		
31	001-36120280	O-RING	2		
32	009-46002025	O-RING	1		

629-84200011

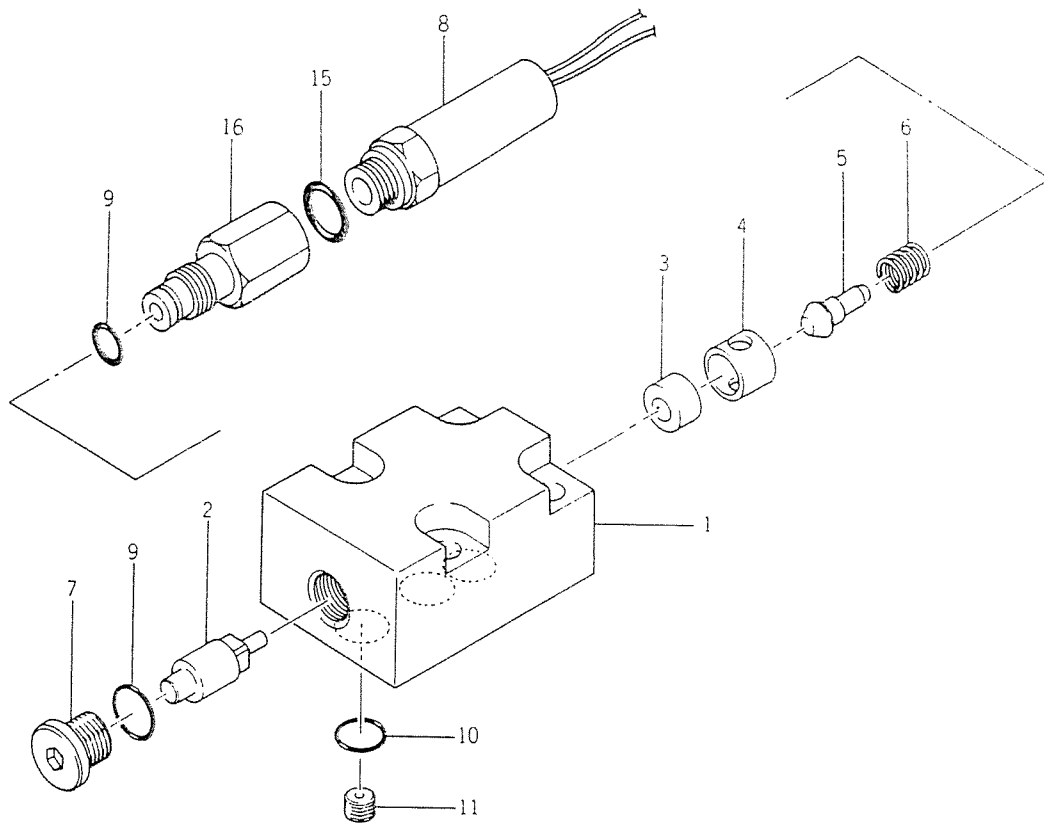
VALVE-CHECK BLOCK



REF. NO.	PART NO.	PART NAME	Q'ty	SUPP. CODE	NOTE
33	009-46002035	O-RING	1		
34	001-37102102	RING-BACK UP	1		
35	009-47002502	RING-BACK UP	1		
36	001-60908002	PLUG	1		
37	001-10508020	BOLT-HEXAGON SOCKET	8		

629-86600011

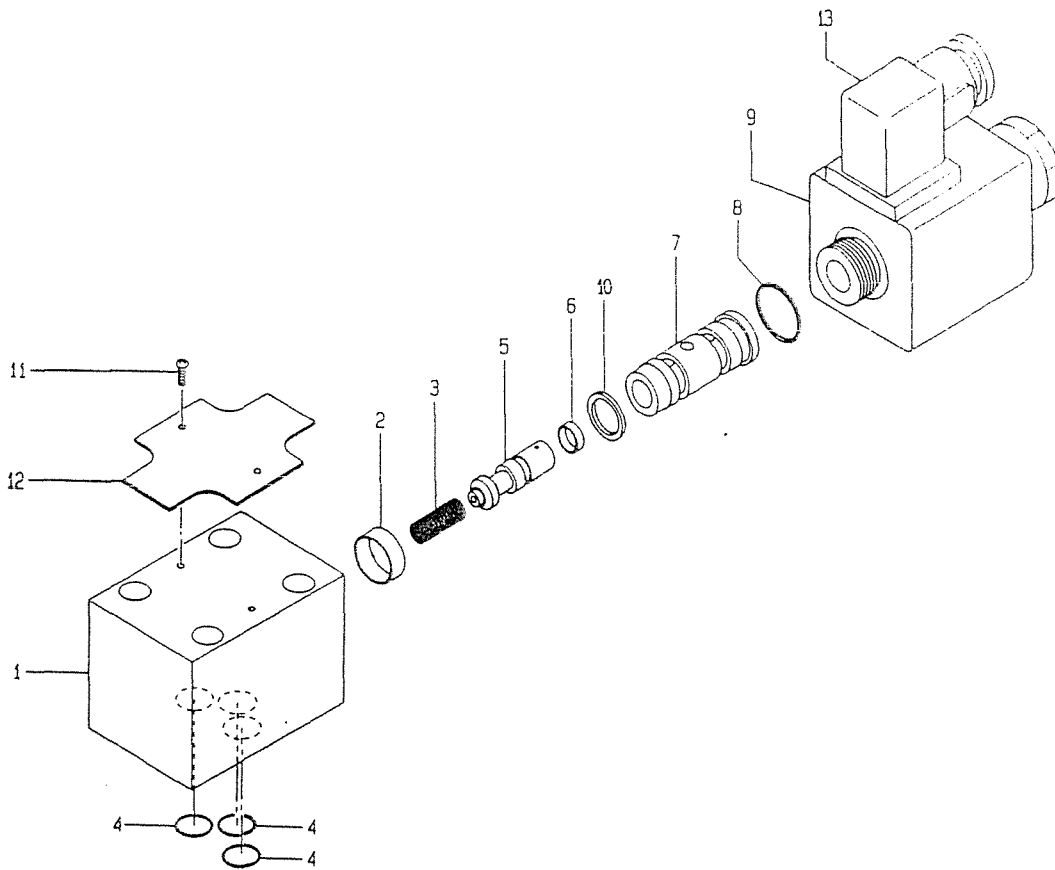
VALVE-PILOT CHECK



REF. NO.	PART NO.	PART NAME	Q'ty	SUPP. CODE	NOTE
1	629-86501001	BODY	1		
2	629-86602011	PISTON	1		
3	629-86603011	SEAT	1		
4	629-86504001	RETAINER	1		
5	629-86605011	POPPET	1		
6	629-86506001	SPRING	1		
7	629-84001001	PLUG	1		
8	629-86608011	SWITCT-PRESSURE	1		
9	001-36120140	O-RING	2		
10	001-36120120	O-RING	3		
11	629-86511001	ORIFICE	1		
15	009-46202008	O-RING	1		
16	629-86615011	ADAPTER	1		

629-88100001

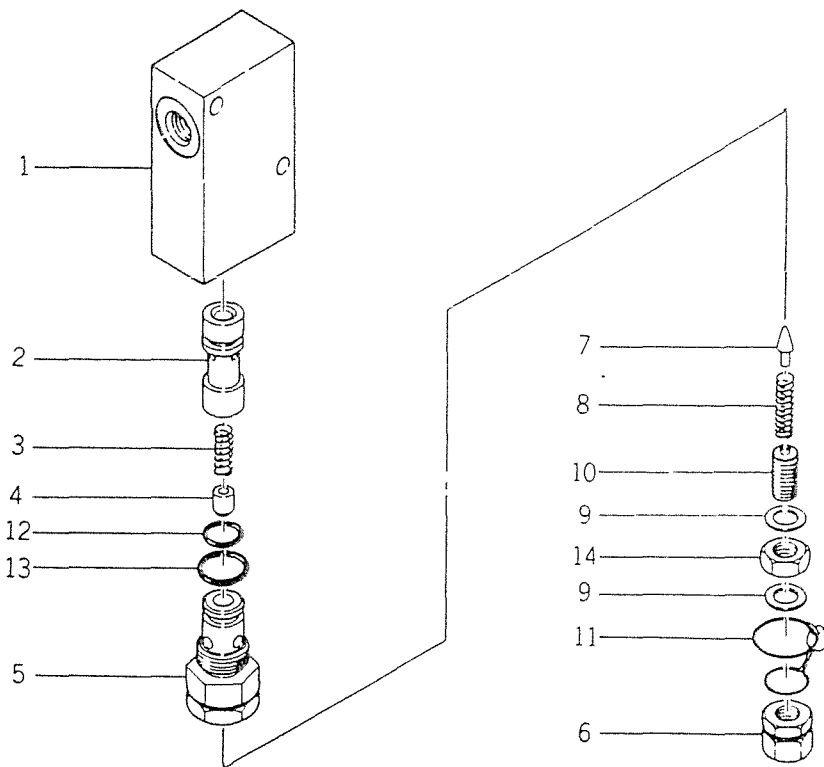
VALVE-SOLENOID



REF. NO.	PART NO.	PART NAME	Q'ty	SUPP. CODE	NOTE
1	629-88101001	BODY ASSY	1		
2	629-88412000	SEAT	1		
3	629-88413000	SPRING	1		
4	009-46301007	O-RING	3		
5	629-88411000	PISTON	1		
6	629-88410000	SEAL	1		
7	629-88409000	SLEEVE	1		
8	001-36110160	O-RING	1		
9	629-88407000	SOLENOID ASSY	1		
10	629-88112001	SPACER	1		
11	629-88110000	SCREW-MACHINE	2		
12	629-88111000	PLATE-NAME	1		
13	629-88113001	CONNECTOR	1		

639-20400001

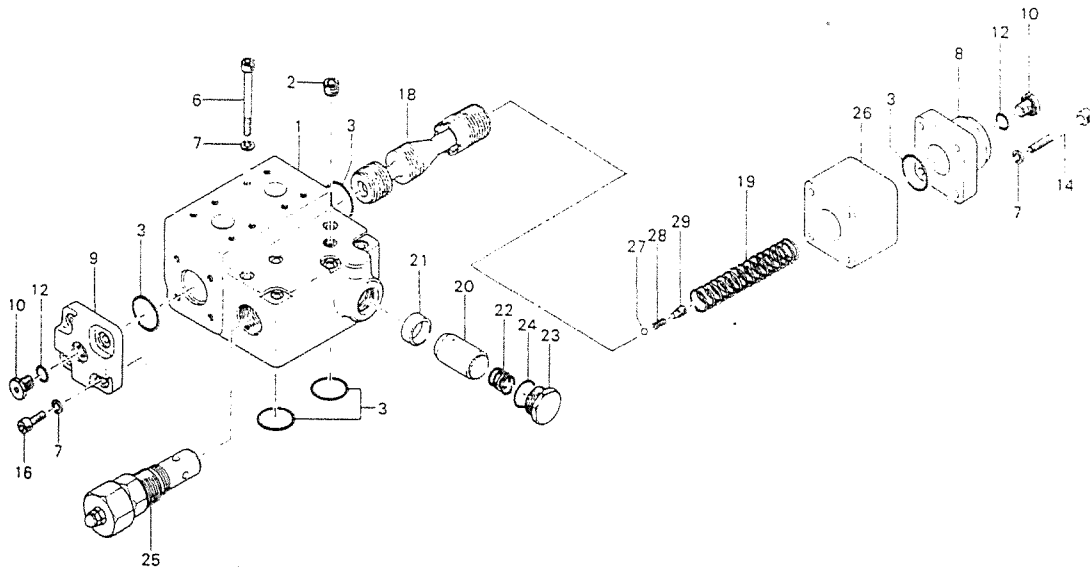
VALVE-REDUCING



REF. NO.	PART NO.	PART NAME	Q'ty	SUPP. CODE	NOTE
1	639-20401001	HOUSING	1		
2	639-20402001	SPOOL	1		
3	639-20403001	SPRING	1		
4	639-20404001	SEAT-VALVE	1		
5	639-20405001	SLEEVE-PILOT	1		
6	639-20406001	NUT	1		
7	639-20407001	VALVE-NEEDLE	1		
8	639-20408001	SPRING	1		
9	629-69005001	GASKET-RING	2		
10	639-20410001	SCREW-ADJUST	1		
11	639-20411001	SEAL	1		
12	001-36120120	O-RING	1		
13	001-36120160	O-RING	1		
14	009-14210000	NUT	1		

639-61600001

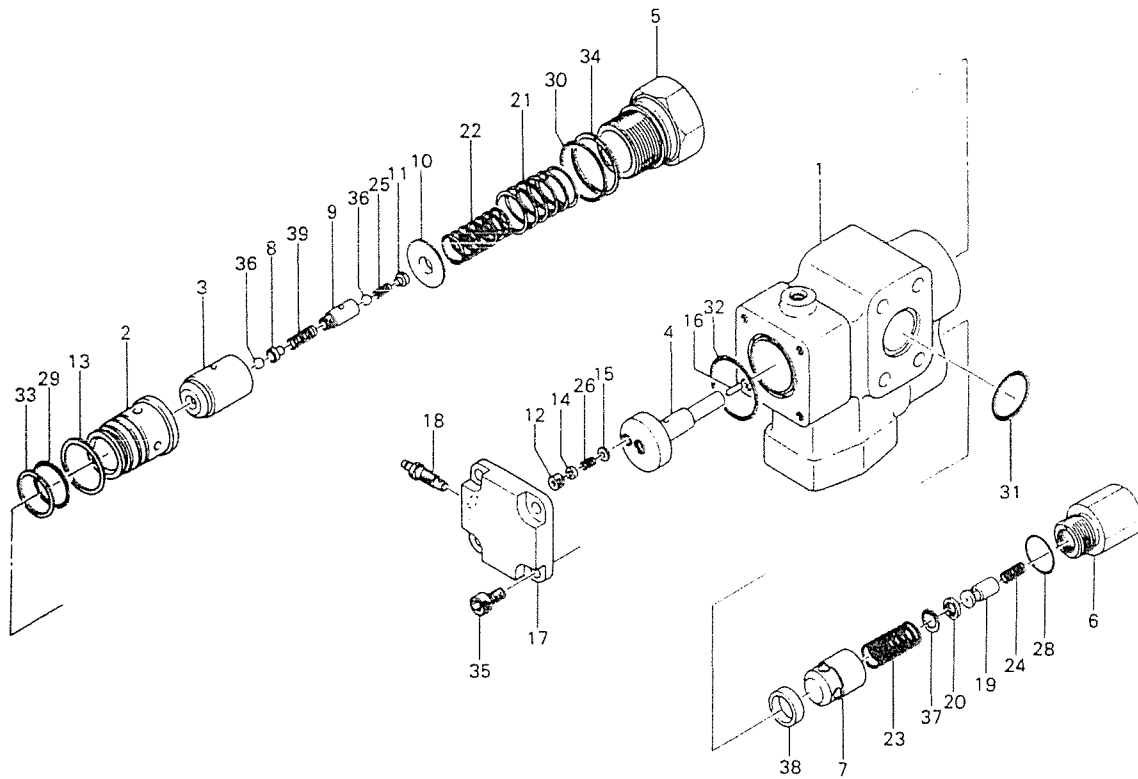
VALVE-BALANCING



REF. NO.	PART NO.	PART NAME	Q'ty	SUPP. CODE	NOTE
1	639-61601001	CASING	1		
2	639-50002000	PLUG	1		
3	009-46002035	O-RING	5		
6	001-10512100	BOLT-HEXAGON SOCKET	6		
7	619-90326000	WASHER-SQUARE SPRING	14		
8	639-41905002	COVER (1)	1		
9	639-61609001	COVER (2)	1		
10	619-90334000	PLUG (PO)	2		
12	001-36120160	O-RING	2		
14	001-10512085	BOLT-HEXAGON SOCKET	4		
16	001-10512035	BOLT-HEXAGON SOCKET	4		
18	639-61618001	SPOOL	1		
19	639-61619001	SPRING	1		
20	639-61620001	PLUNGER	1		
21	639-50022000	SEAT	1		
22	639-61622001	SPRING	1		
23	639-61623001	PLUG	1		
24	001-36120300	O-RING	1		
25	639-61625001	VALVE-RELIEF ASSY	1		
26	639-61626001	SPACER	1		
27	639-51215001	BALL-STEEL	1		
28	639-61628001	SPRING	1		
29	639-61629001	RESTRICTION	1		

639-6210001

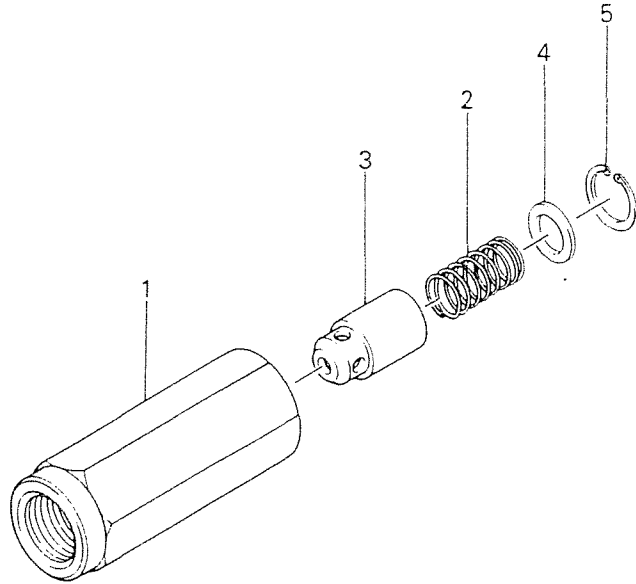
VALVE-BALANCING



REF. NO.	PART NO.	PART NAME	Q'ty	SUPP. CODE	NOTE
1	639-49501001	BODY-VALVE	1		
2	639-49502001	BARREL	1		
3	639-49503001	PLUNGER	1		
4	639-49504001	PISTON-PILOT	1		
5	639-49505001	CASE-SPRING	1		
6	639-62106001	CARTRIDGE	1		
7	639-61907001	PLUNGER-CHECK	1		
8	639-49108001	PUSH-BALL	1		
9	639-49109001	PLUG-ORIFICE	1		
10	639-61910001	SEAT-SPRING	1		
11	639-49111001	PLUG (A)	1		
12	639-61934001	PLUG (B)	1		
13	639-49513001	SHIM	1		
14	639-61912001	CHECK-ORIFICE	1		
15	639-61935001	PLATE-ORIFICE	1		
16	639-49515001	PIN	1		
17	639-49516001	COVER-PISTON	1		
18	639-49517001	SCREW-BLEEDER	1		
19	639-49118001	SPOOL-SHUT OFF	1		
20	639-49119001	STOPPER	1		
21	639-61918001	SPRING (C)	1		
22	639-61919001	SPRING (D)	1		
23	639-49520001	SPRING	1		
24	639-49125001	SPRING	1		
25	639-49124001	SPRING	1		
26	639-49523001	SPRING	1		
28	001-36120290	O-RING	1		

649-33800001

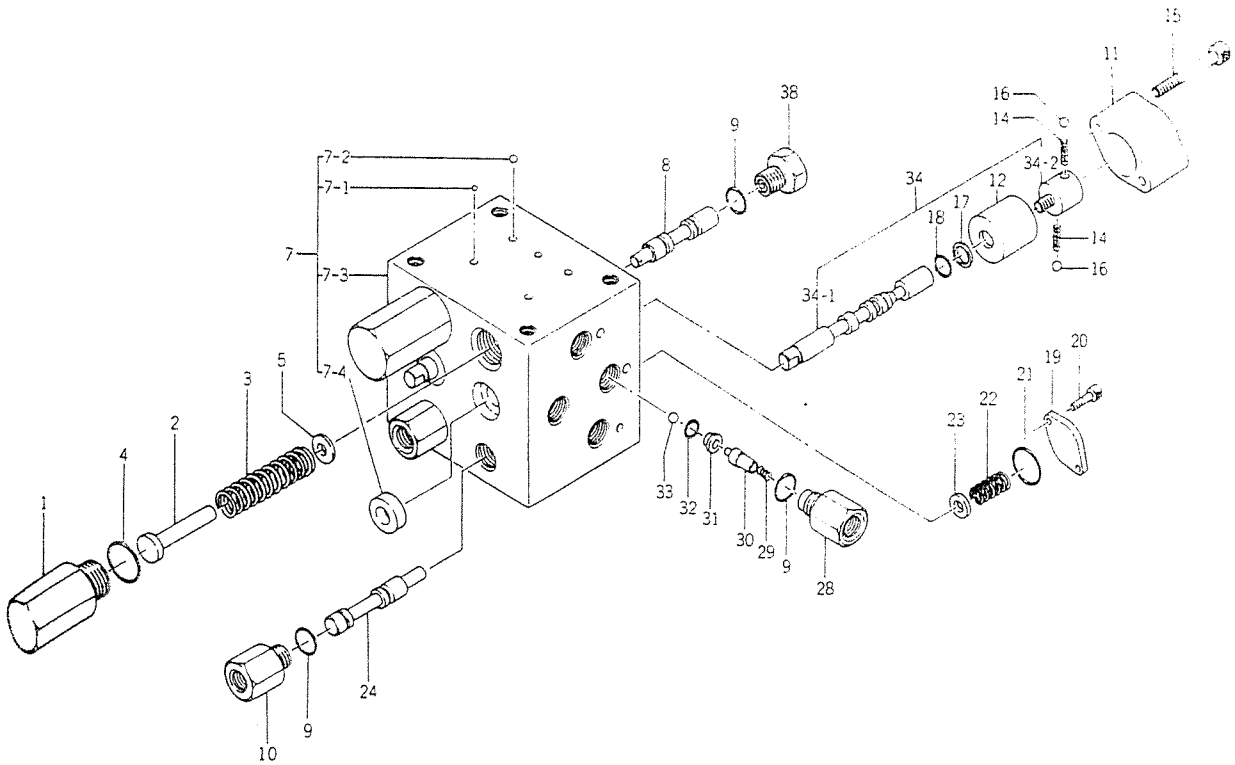
VALVE-RESTRICTION



REF. NO.	PART NO.	PART NAME	Q'ty	SUPP. CODE	NOTE
1	649-33801001	BODY	1		
2	649-33802001	SPRING	1		
3	649-33803001	PLUNGER	1		
4	649-33804001	WASHER-PLATE	1		
5	649-34912001	RING-SNAP	1		

669-63700001

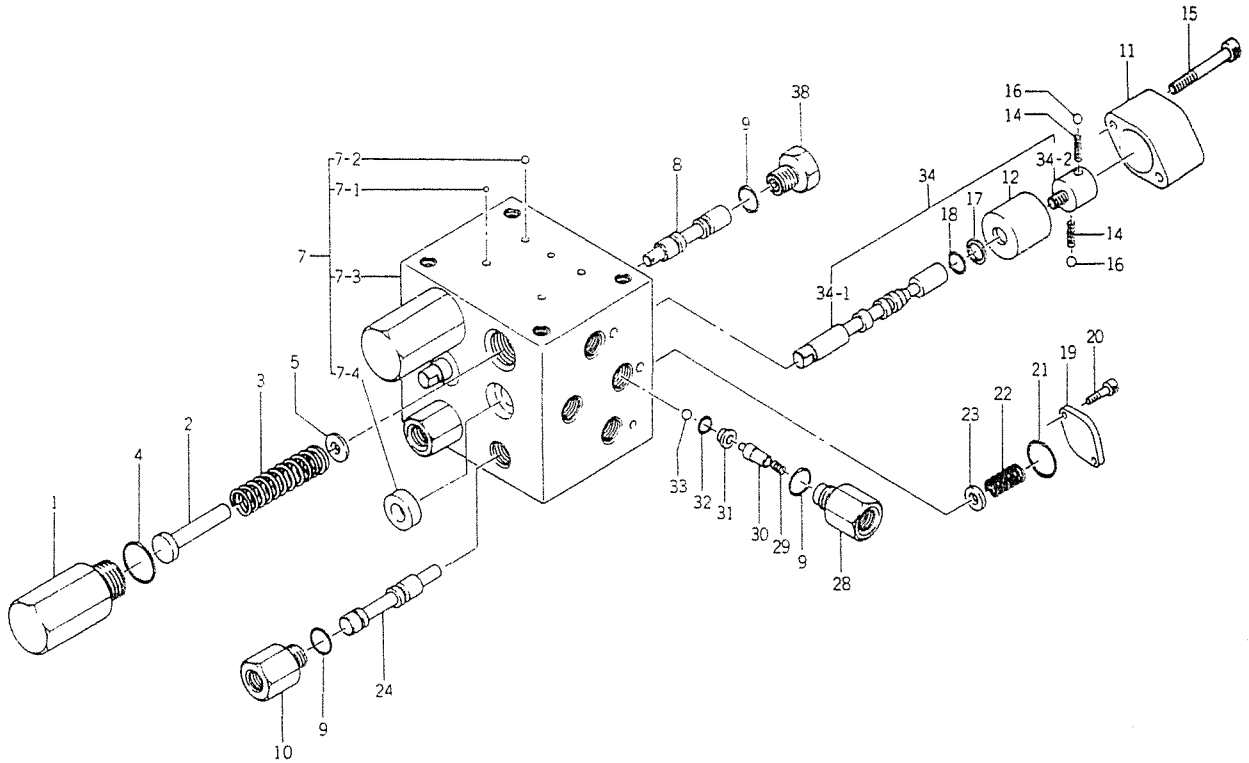
VALVE-CLUTCH



REF. NO.	PART NO.	PART NAME	Q'ty	SUPP. CODE	NOTE
1	669-63501001	COVER-SPRING	2		
2	669-63502001	STOPPER	2		
3	669-63503001	SPRING	2		
4	001-36120180	O-RING	2		
5	669-63505001	WASHER	2		
7	669-63707001	BODY SUB ASSY	1		
- 1	669-63535001	PLUG-EXPANDER	10	X	
- 2	669-63536001	PLUG-EXPANDER	7	X	
- 3	669-63737001	BODY	1	X	
- 4	669-63527001	SEAL-OIL	2		
8	669-63508001	SPOOL(1)	2		
9	001-36120110	O-RING	6		
10	669-63510001	COUPLING	2		
11	669-63511001	COVER-DETENT	2		
12	669-63512001	SLEEVE	2		
14	669-12309001	SPRING	2		
15	669-63515002	BOLT-HEXAGON SOCKET	4		
16	669-12310001	BALL-STEEL	4		
17	001-37101003	RING-BACK UP	2		
18	001-36110100	O-RING	2		
19	669-63519001	COVER	2		
20	669-63520002	BOLT-HEXAGON SOCKET	4		
21	001-36120150	O-RING	2		
22	669-63522001	SPRING	2		
23	669-63523001	WASHER	2		

669-63700001

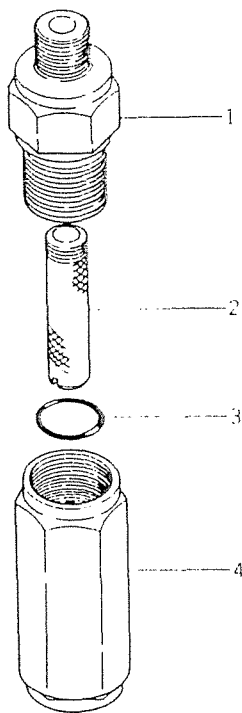
VALVE-CLUTCH



REF. NO.	PART NO.	PART NAME	Q'ty	SUPP. CODE	NOTES
24	669-63524001	SPOOL (3)	2		
28	669-12323001	COUPLING	2		
29	669-12329001	SPRING	2		
30	669-12325001	VALVE	2		
31	669-12326001	SEAT	2		
32	001-36120070	O-RING	2		
33	669-12328001	BALL-STEEL	2		
34	669-63534001	SPOOL SUB ASSY	2		
- 1	669-63506001	SPOOL (2)	1	X	
- 2	669-63513001	HOLDER-BALL	1	X	
38	669-63738001	PLUG	2		

689-30100001

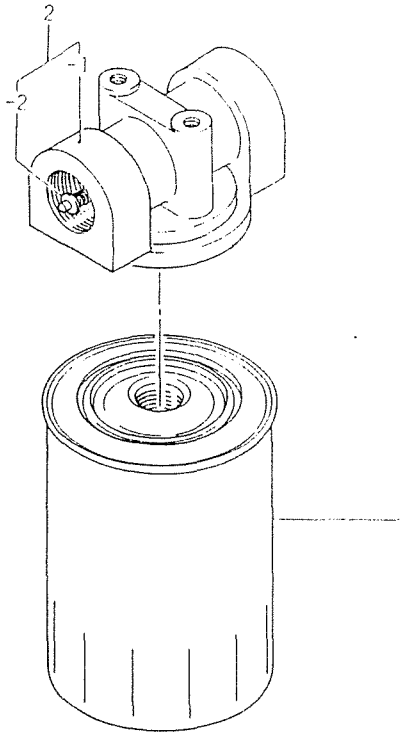
FILTER-INLINE MICRO (PT)



REF. NO.	PART NO.	PART NAME	Q'ty	SUPP. CODE	NOTE
1	689-30101001	NIPPLE	1		
2	689-30502001	FILTER	1		
3	001-36110160	O-RING	1		
4	689-30104000	NUT	1		

689-3440011

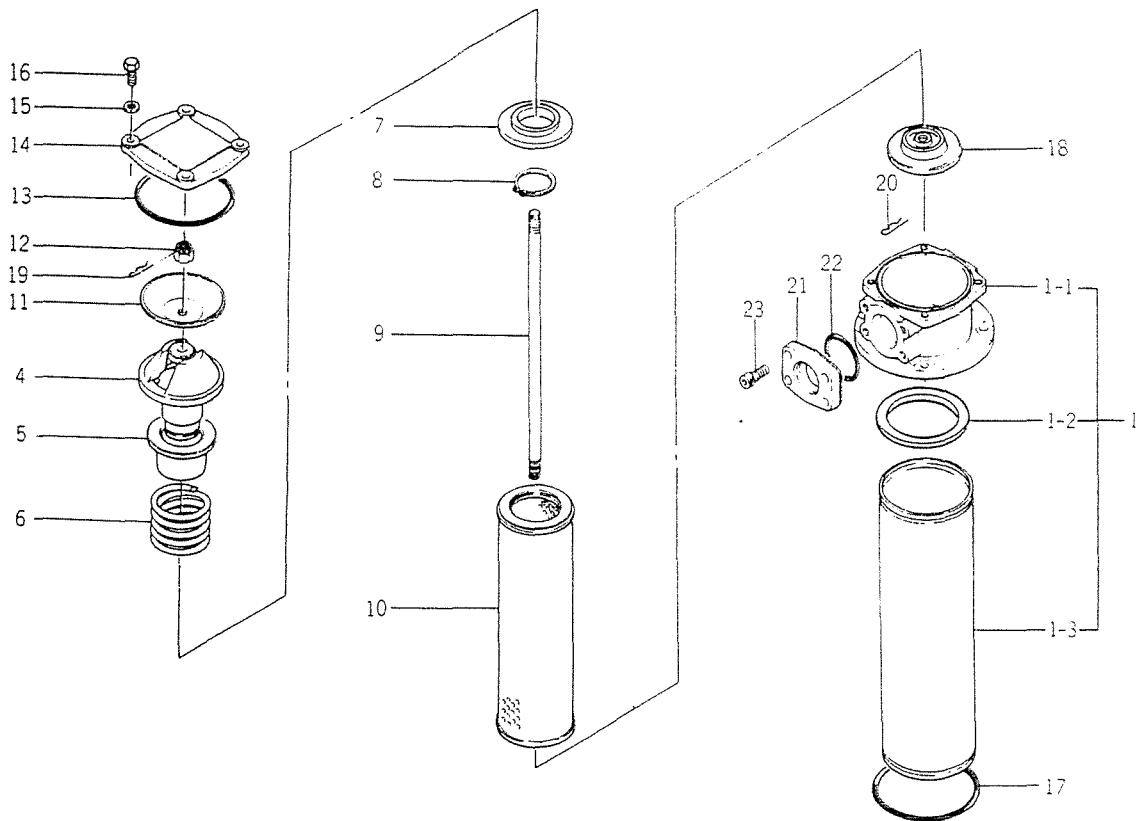
FILTER-SPIN



REF. NO.	PART NO.	PART NAME	Q'ty	SUPP. CODE	NOTE
1	689-34401001	FILTER-CARTRIDGE	1		
2	689-34400111	HEAD COVER ASSY	1		
- 1	689-34402011	COVER-HEAD	1	X	
- 2	689-34402111	VALVE-RELIEF	1	X	

689-37600022

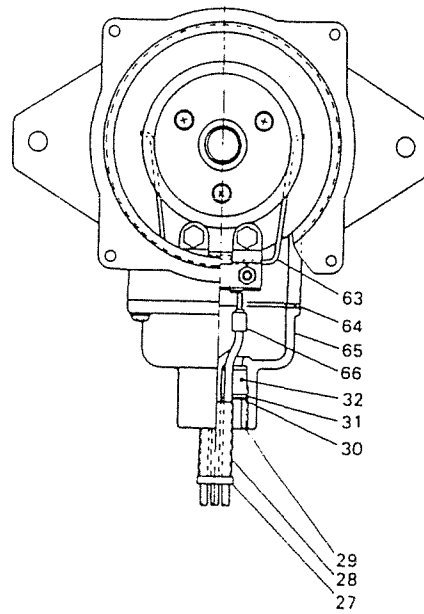
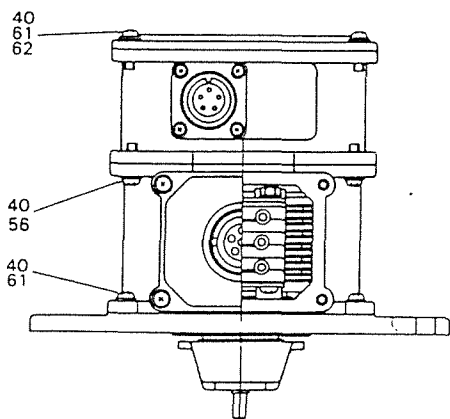
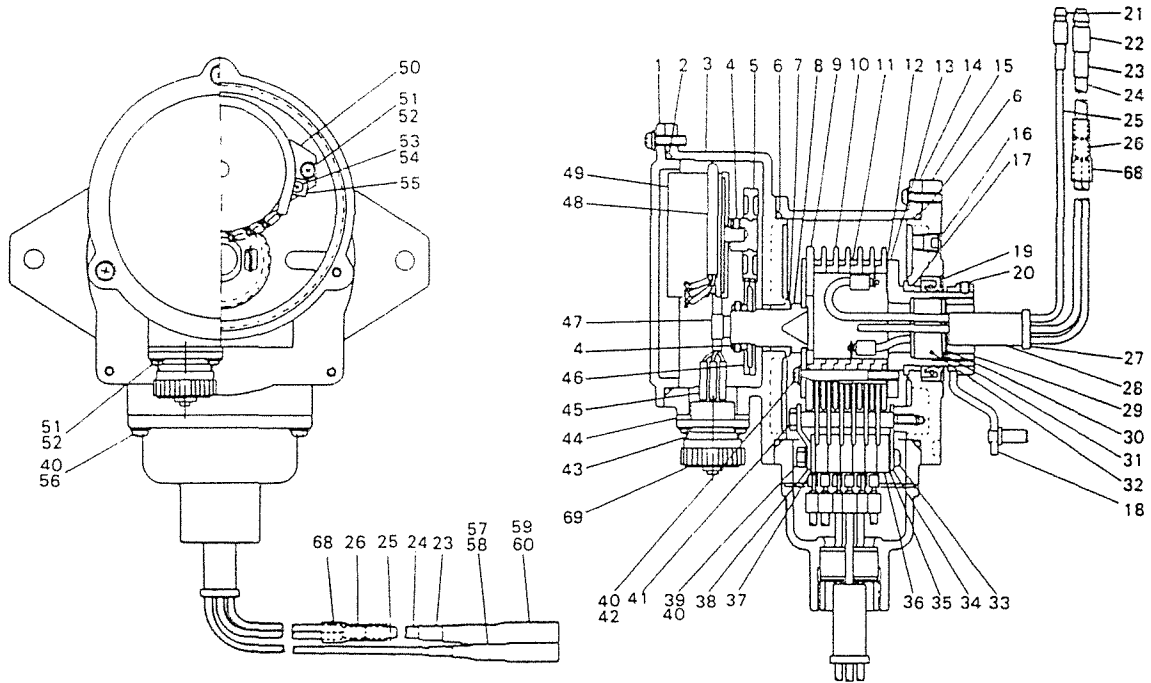
FILTER-RETURN



REF. NO.	PART NO.	PART NAME	Q'ty	SUPP. CODE	NOTE
1	689-37600122	CASE ASSY	1		
- 1	689-31101002	CASE	1	X	
- 2	689-31102002	GASKET-CASE	1	X	
- 3	689-37603022	CASE-ELEMENT	1	X	
4	689-38904002	HOLDER-ELEMENT	1		
5	689-38905002	VALVE	1		
6	689-38906002	SPRING-VALVE	1		
7	689-38907002	RETAINER-ELEMENT (A)	1		
8	001-20655000	RING-SNAP	1		
9	689-38909002	BOLT-CENTER	1		
10	689-38210011	ELEMENT-FILTER	1		
11	689-38911002	SPRING	1		
12	009-13112002	NUT-CASTLE	1		
13	009-46001140	O-RING	1		
14	689-38215011	COVER	1		
15	001-12212000	WASHER	4		
16	001-10312030	BOLT	4		
17	009-46401037	O-RING	1		
18	689-39234002	RETAINER-ELEMENT (B)	1		
19	689-38213011	PIN-SNAP	1		
20	001-20412000	PIN-SNAP	1		
21	689-37619012	FLANGE	1		
22	009-46401009	O-RING	1		
23	001-10512035	BOLT-HEXAGON SOCKET	1		

709-12200002

BRUSH-ROTARY



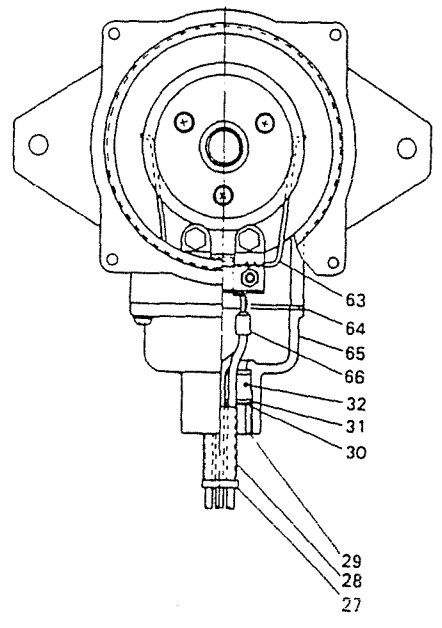
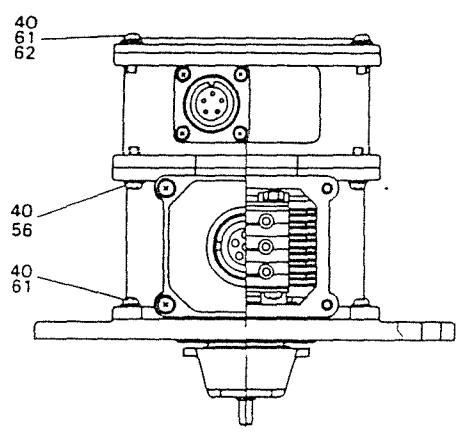
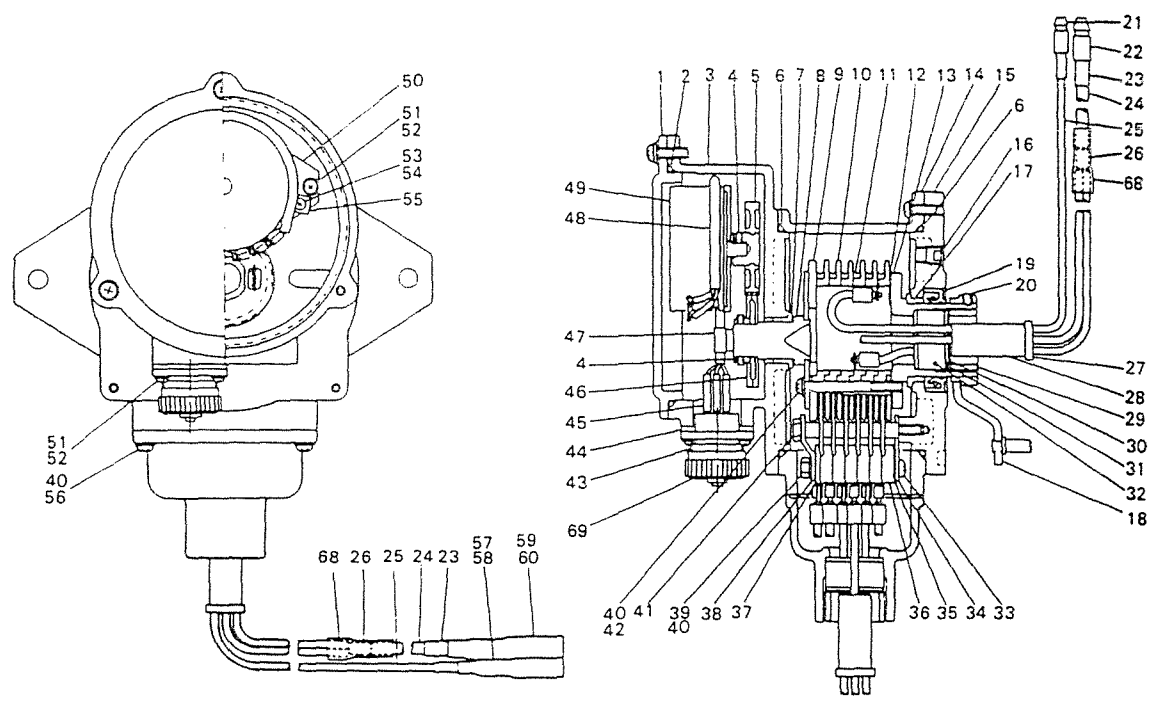
709-12200002

BRUSH-ROTARY

REF. NO.	PART NO.	PART NAME	Q'ty	SUPP. CODE	NOTE
1	709-12201002	COVER	1		
2	709-12202002	O-RING	1		
3	709-12203002	HOUSING-UPPER	1		
4	709-12204002	SCREW-SET	3		
5	709-12205002	GEAR	1		
6	709-12206002	O-RING	2		
7	709-12207002	BUSHING-SHAFT	1		
8	709-12208002	SHAFT-UPPER ASSY	1		
9	709-12209002	INSULATOR	1		
10	709-12210002	INSULATOR	6		
11	709-12211002	RING-SLIP	6		
12	709-12212002	INSULATOR	1		
13	709-12513001	SHAFT-LOWER	1		
14	709-12214002	HOUSING-LOWER	1		
15	709-12215002	PLATE	1		
16	629-71918001	PLUG	1		
17	709-12217002	BUSHING-SHAFT	1		
18	709-12218002	COUPLING ASSY	1		
19	709-12219002	SEAL-OIL	1		
20	709-12220002	SCREW-SET	4		
21	709-12221002	PLUG	4		
22	709-12222001	PLUG	1		
23	709-12223002	TUBE	10		
24	709-12224002	CORD	2		
25	709-12225002	CORD	12		
26	709-12226001	SLEEVE	2		
27	709-12227001	BAND	2		
28	709-12228002	TUBE	2		
29	709-12229002	GLAND	2		
30	709-12230002	RING	4		
31	709-12231002	WASHER	4		
32	709-12232002	PACKING	2		
33	001-10704040	SCREW-MACHINE	2		
34	709-12234002	PLATE-SUPPORT	1		
35	709-12235002	SPACER	1		
36	709-12236002	INSULATOR	6		
37	709-12237002	INSULATOR	1		
38	709-12238002	PLATE-SUPPORT	1		
39	709-12239001	NUT	2		
40	001-12104002	WASHER-SPRING	19		
41	709-12241002	BOLT	2		
42	709-12242002	SCREW-MACHINE	3		
43	709-12243002	RECEPTACLE	1		
44	709-12244002	PACKING	1		
45	709-12245002	TUBE-INSULATOR	10		
46	709-12246002	GEAR ASSY	1		
47	709-12247002	CLAMP	1		
48	709-12248002	CORD	1		
49	709-12457001	POTENTIOMETER	1		
50	709-12250002	BASE	1		
51	709-12251001	SCREW-MACHINE	7		
52	709-12650001	WASHER-SPRING	7		
53	709-12253001	SCREW	2		
54	709-12254001	WASHER-SPRING	2		

709-12200002

BRUSH-ROTARY



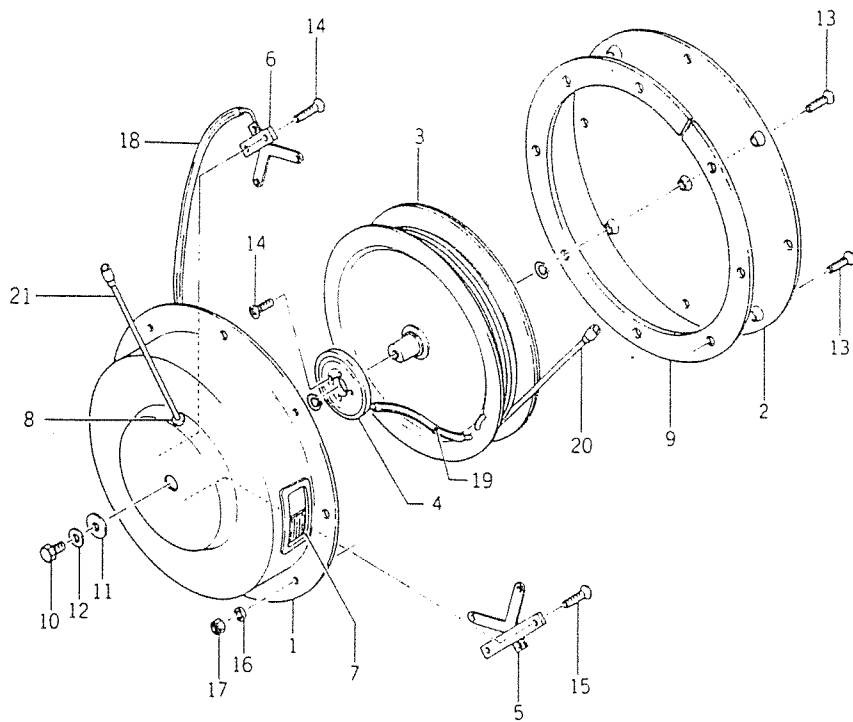
709-12200002

BRUSH-ROTARY

REF. NO.	PART NO.	P A R T N A M E	Q'ty	SUPP. CODE	NOTE
55	709-12255001	PLATE-LOCK	2		
56	001-10704012	SCREW-MACHINE	11		
57	709-12257002	RECEPTACLE	4		
58	709-12258002	CAP	4		
59	709-12259001	RECEPTACLE	1		
60	709-12260001	CAP	1		
61	709-12261001	SCREW-MACHINE	3		
62	709-12262001	WASHER	3		
63	709-12263002	BRUSH ASSY	6		
64	709-12264002	PACKING	1		
65	709-12265002	MOUTH	1		
66	709-12266002	PACKING	12		
68	709-12268002	TUBE-INSULATOR	2		
69	709-12269002	CAP (R)	1		

709-14600012

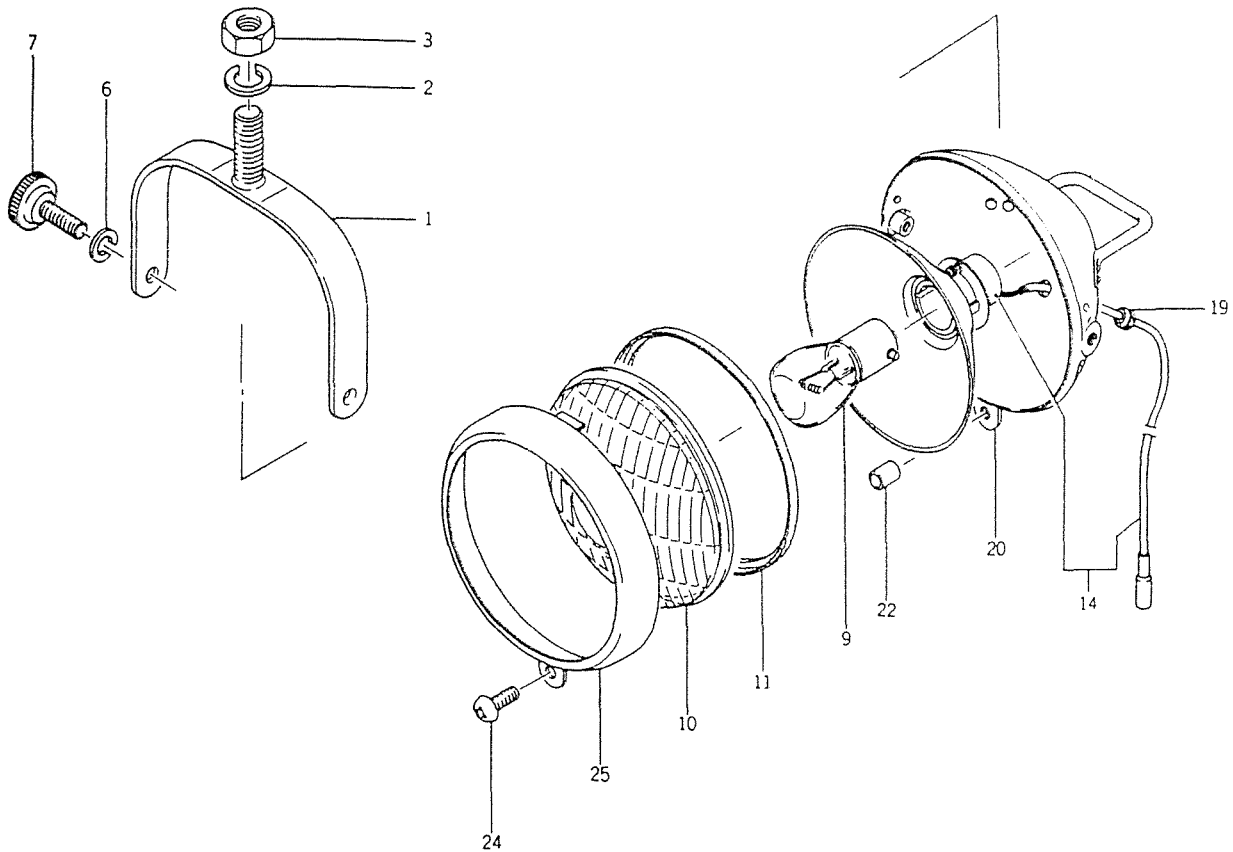
REEL-CORD



REF. NO.	PART NO.	PART NAME	Q'ty	SUPP. CODE	NOTE
1	709-14401002	CASE	1		
2	709-14602001	PLATE-BASE	1		
3	709-14403002	DRUM ASSY	1		
4	709-14616001	RING ASSY	1		
5	709-13509005	POINT ASSY	1		
6	709-14627001	POINT ASSY	1		
7	709-14408002	GUIDE-CORD	1		
8	709-13511005	BUSHING	1		
9	709-14614001	PACKING	1		
10	709-14411002	BOLT	1		
11	709-14412002	WASHER	1		
12	709-14413002	WASHER-PLATE	1		
13	001-10605010	SCREW-MACHINE	5		
14	001-10604006	SCREW-MACHINE	5		
15	709-14416002	SCREW-MACHINE	2		
16	001-12105002	WASHER-SPRING	4		
17	001-13205000	NUT	4		
18	709-14419002	TUBE-VINYL	1		
19	709-14420011	TUBE-VINYL	1		
20	709-14501012	CORD	1		
21	709-14421012	CORD-SUB	1		

709-2010003

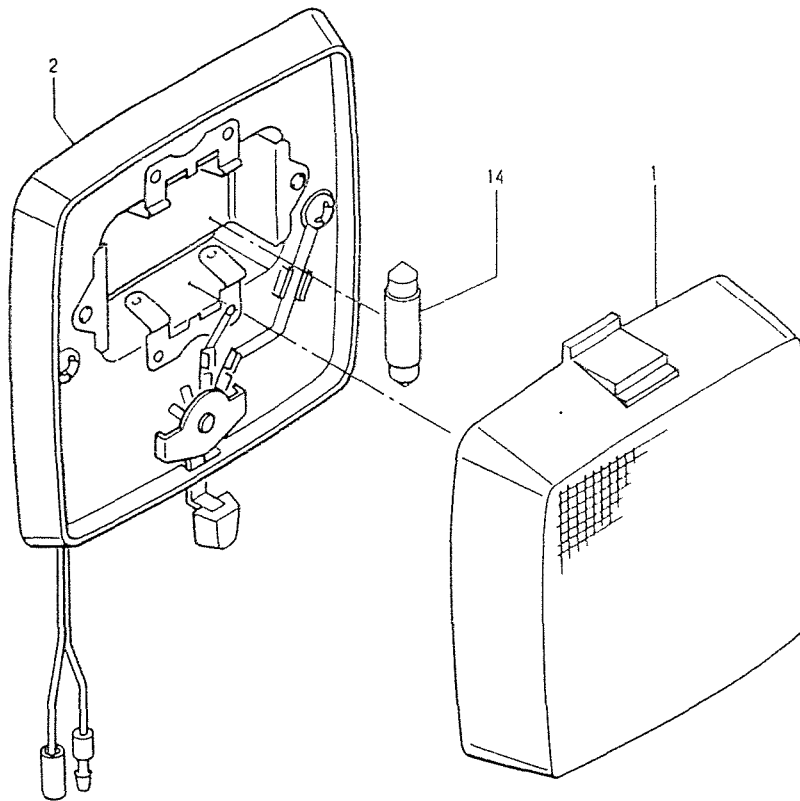
LIGHT-WORKING



REF. NO.	PART NO.	PART NAME	Q'ty	SUPP. CODE	NOTE
1	709-20101003	STAY	1		
2	001-12116002	WASHER-SPRING	1		
3	001-13216000	NUT	1		
6	001-12108002	WASHER-SPRING	2		
7	709-20107003	KNOB	2		
9	709-20109003	BULB	1		
10	709-20110003	LENS	1		
11	709-20111003	PACKING	1		
14	709-20114003	SOCKET & CORD	1		
19	709-20119003	GROMMET	1		
20	709-20120003	BODY	1		
22	709-20122003	COLLAR	1		
24	709-20124003	SCREW-SET	1		
25	709-20125003	RING-STOPPER	1		

709-2430003

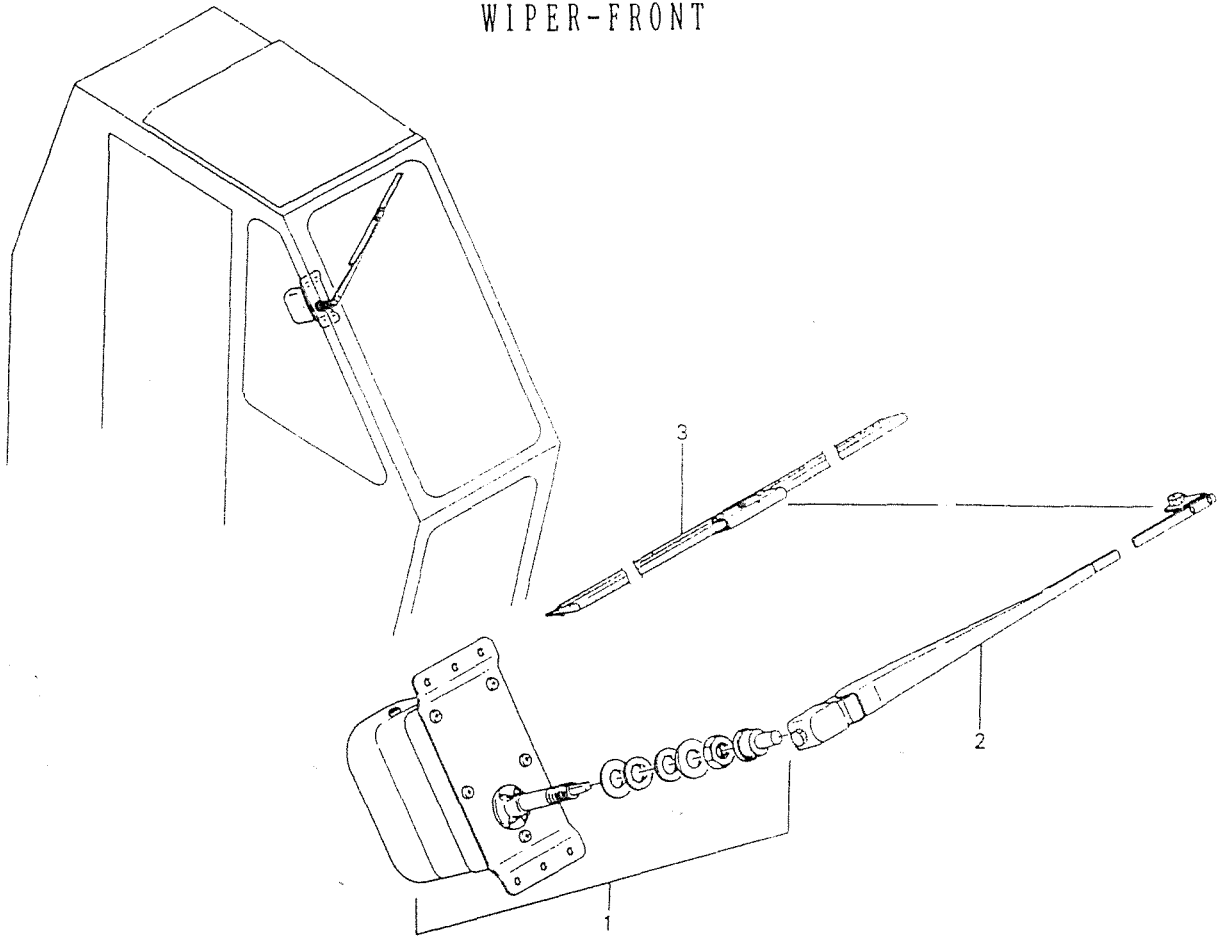
LAMP-ROOM



REF. NO.	PART NO.	PART NAME	Q'ty	SUPP. CODE	NOTE
1	709-24301001	LENS	1		
2	709-24302002	HOUSING ASSY	1		
14	709-24314001	BULB	2		

709-40800001

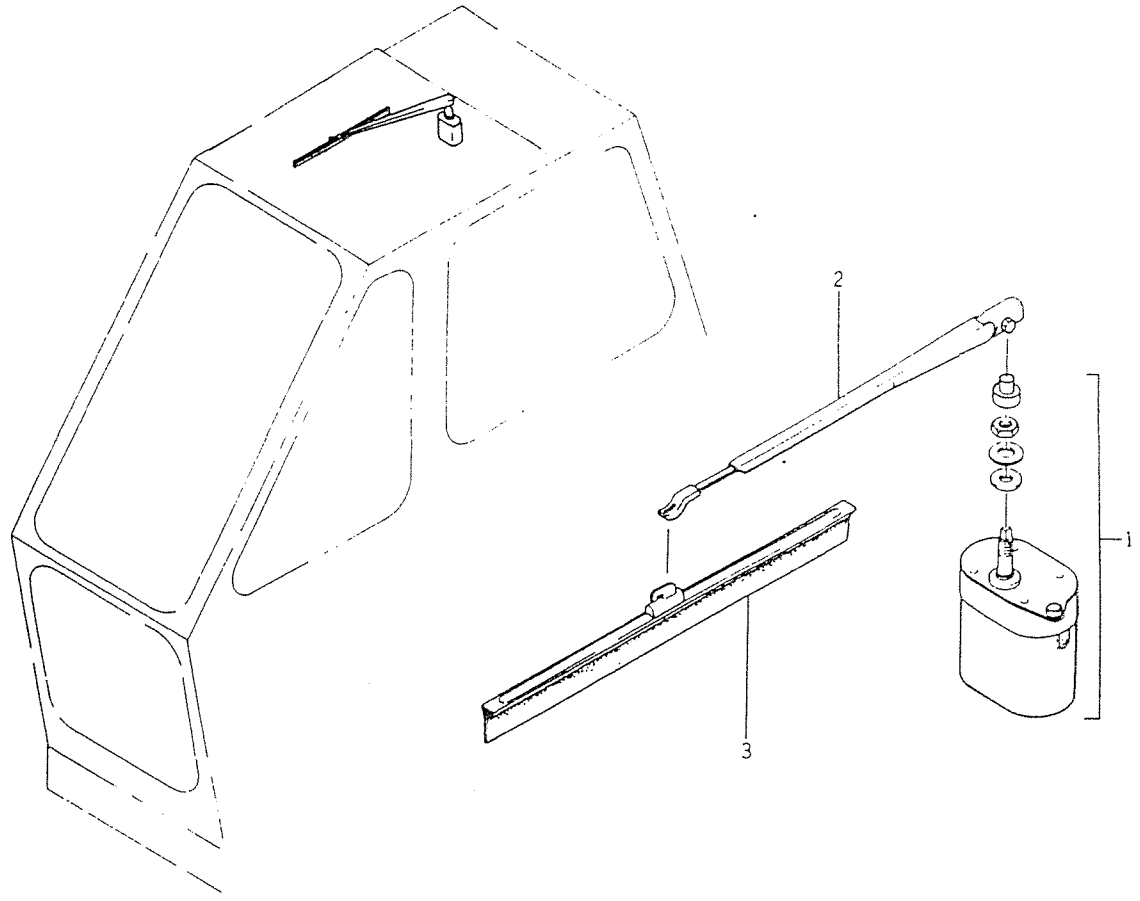
WIPER-FRONT



REF. NO.	PART NO.	PART NAME	Q'ty	SUPP. CODE	NOTE
1	709-40801001	MOTOR-WIPER	1		
2	709-40202001	ARM-WIPER	1		
3	709-40203001	BLADE-WIPER	1		

709-42200001

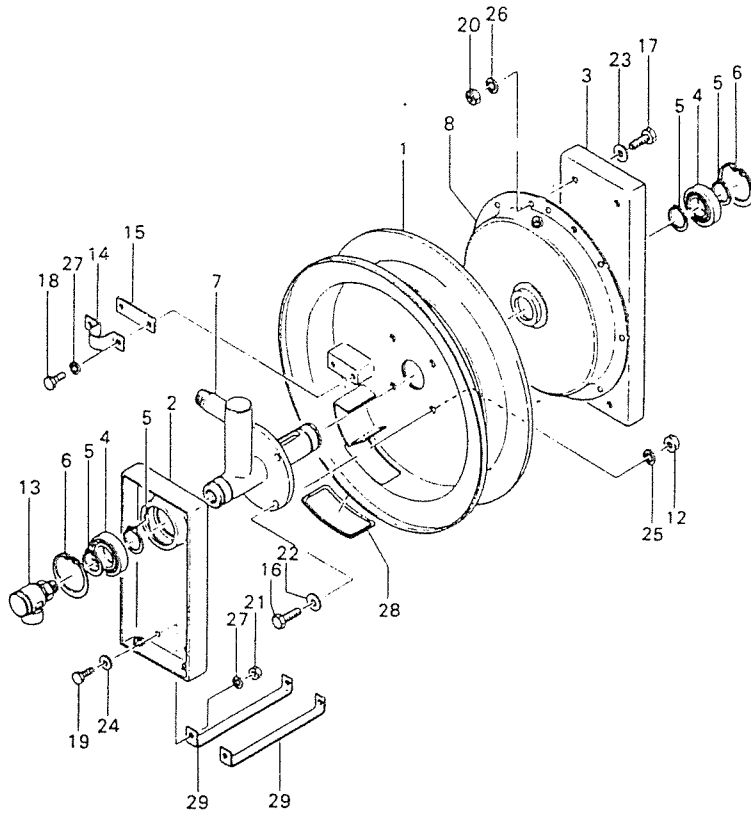
WIPER-ROOF



REF. NO.	PART NO.	PART NAME	Q'ty	SUPP. CODE	NOTE
1	709-42201001	MOTOR-WIPER	1		
2	709-40502001	ARM-WIPER	1		
3	709-40503001	BLADE-WIPER	1		

779-41400001

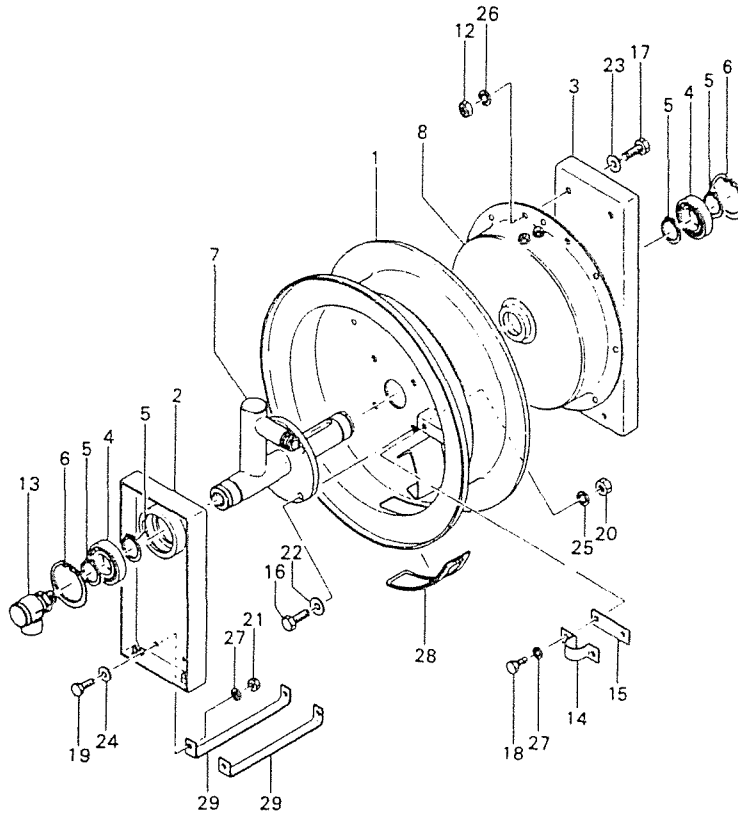
REEL-HOSE



REF. NO.	PART NO.	PART NAME	Q'ty	SUPP. CODE	NOTE
1	779-41401000	DRUM ASSY	1		
2	779-41402000	FRAME (R)	1		
3	779-41403000	FRAME (L)	1		
4	009-35306008	BEARING-BALL	2		
5	001-20640000	RING-SNAP (S)	4		
6	001-20768000	RING-SNAP (H)	2		
7	779-41407000	SHAFT ASSY	1		
8	779-41408000	SPRING ASSY	1		
12	001-13212000	NUT	4		
13	779-41413000	JOINT-ROTARY	1		
14	779-41414000	BAND-HOSE	1		
15	779-41415000	BAND-HOSE	1		
16	001-10312035	BOLT	4		
17	001-10310025	BOLT	4		
18	001-10308025	BOLT	2		
19	001-10308020	BOLT	4		
20	001-13210000	NUT	4		
21	001-13208000	NUT	4		
22	779-41522001	WASHER	4		
23	779-41523001	WASHER	4		
24	779-41524001	WASHER	4		
25	001-12112002	WASHER-SPRING	4		
26	001-12110002	WASHER-SPRING	4		
27	001-12108002	WASHER-SPRING	6		
28	779-41428000	RUBBER	1		
29	779-41429000	PLATE-STOPPER	2		

779-41500001

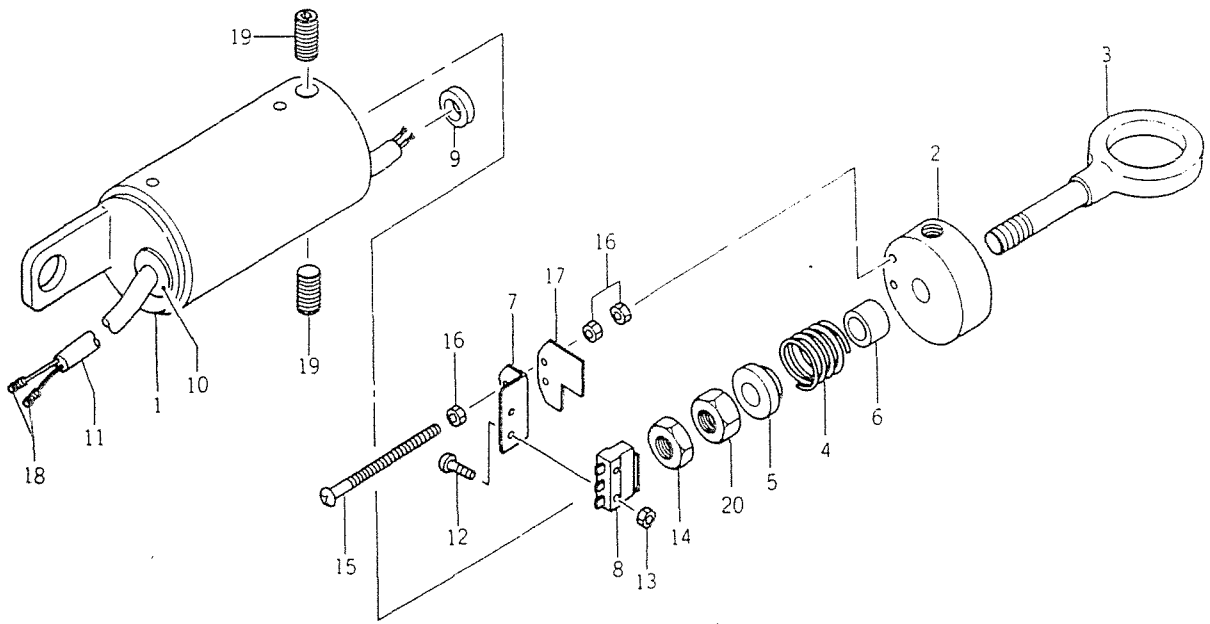
REEL-HOSE



REF. NO.	PART NO.	PART NAME	Q'ty	SUPP. CODE	NOTE
1	779-41501000	DRUM ASSY	1		
2	779-41402000	FRAME(R)	1		
3	779-41503000	FRAME(L)	1		
4	009-35306008	BEARING-BALL	2		
5	001-20640000	RING-SNAP(S)	4		
6	001-20768000	RING-SNAP(H)	2		
7	779-41507000	SHAFT ASSY	1		
8	779-41508000	SPRING ASSY	1		
12	001-13210000	NUT	4		
13	779-41413000	JOINT-ROTARY	1		
14	779-41414000	BAND-HOSE	1		
15	779-41415000	BAND-HOSE	1		
16	001-10312035	BOLT	4		
17	001-10310025	BOLT	4		
18	001-10308025	BOLT	2		
19	001-10308020	BOLT	4		
20	001-13212000	NUT	4		
21	001-13208000	NUT	4		
22	779-41522001	WASHER	4		
23	779-41523001	WASHER	6		
24	779-41524001	WASHER	4		
25	001-12112002	WASHER-SPRING	4		
26	001-12110002	WASHER-SPRING	4		
27	001-12108002	WASHER-SPRING	6		
28	779-41428000	RUBBER	1		
29	779-41429000	PLATE-STOPPER	2		

819-30200041

LIMIT SWITCH BLOCK



REF. NO.	PART NO.	PART NAME	Q'ty	SUPP. CODE	NOTE
1	819-30201032	CASE	1		
2	819-30202051	PLATE	1		
3	819-30203021	SHAFT	1		
4	819-30204001	SPRING	1		
5	819-30205011	SUPPORT-SPRING	1		
6	819-30206012	COLLAR	1		
7	819-30207022	BRACKET	1		
8	819-30208003	SWITCH-LIMIT	1		
9	819-30209001	STOPPER	1		
10	819-30210001	GROMMET	1		
11	819-30211001	CORD	1		
12	819-30212002	SCREW	2		
13	819-30213001	NUT	2		
14	819-30214012	NUT	1		
15	819-30215011	SCREW	2		
16	819-30217011	NUT	6		
17	819-30218002	SPACER	1		
18	102-77547000	TERMINAL-CONTINUOUS	2		
19	001-10808162	SCREW-SET	2		
20	819-30219001	NUT	1		

パーツ インデックス PARTS INDEX

INDEX

目次 CONTENTS

	頁 Page
001	1
009	2
019	2
099	3
102	3
109	3
309	3
329	5
609	5
619	6
629	7
639	10
669	11
689	11
709	11
779	12
819	12

PART INDEX

PART NO	INDEX NO	PART NO	INDEX NO
* < 001 > *		001-12206000	629-793-03
001-10308016	309-821-06, 309-822-03	001-12212000	629-793-03, 689-376-22
001-10308020	779-414-01, 779-415-01	001-13205000	709-146-12
001-10308025	779-414-01, 779-415-01	001-13208000	779-414-01, 779-415-01
001-10310025	779-414-01, 779-415-01	001-13210000	779-414-01, 779-415-01
001-10312030	689-376-22	001-13212000	779-414-01, 779-415-01
001-10312035	779-414-01, 779-415-01	001-13216000	709-201-03
001-10505014	629-249-11	001-20617000	619-309-12
001-10506010	629-794-07, 629-795-06	001-20625000	619-309-12
001-10506025	629-717-02	001-20640000	779-414-01, 779-415-01
001-10508014	629-793-03, 629-794-07, 629-795-06	001-20655000	689-376-22
001-10508020	629-132-12, 629-794-07, 629-795-06, 629-842-11	001-20680000	619-335-01
001-10508025	619-335-01, 629-794-07, 629-795-06	001-20740000	619-108-01
001-10508050	629-793-03	001-20752000	609-169-01, 609-171-11
001-10508085	629-793-03	001-20768000	779-414-01, 779-415-01
001-10510030	609-277-01	001-36110050	629-793-03
001-10510035	619-309-12, 629-794-07, 629-795-06	001-36110060	629-793-03
001-10510040	689-858-12	001-36110070	629-104-01
001-10510045	309-885-21, 629-842-11	001-36110100	629-249-11, 629-717-02, 629-794-07, 629-795-06, 669-637-01
001-10510050	619-567-01	001-36110101	629-793-03
001-10510060	629-794-07, 629-795-06	001-36110110	629-793-03
001-10510075	629-794-07, 629-795-06	001-36110120	629-667-12
001-10512025	639-621-01	001-36110160	629-717-02, 629-881-01, 689-301-01
001-10512035	639-616-01, 689-376-22	001-36110180	309-885-21, 629-793-03
001-10512045	619-335-01	001-36110210	629-793-03, 629-794-07, 629-794-07, 629-794-07, 629-795-06, 629-795-06, 629-795-06
001-10512085	619-335-01, 639-616-01	001-36110220	629-793-03
001-10512100	639-616-01	001-36110221	629-794-07, 629-795-06
001-10604006	709-146-12	001-36110300	639-621-01
001-10605010	709-146-12	001-36110440	639-621-01
001-10704012	709-122-02	001-36120050	629-793-03, 629-794-07, 629-795-06
001-10704040	709-122-02	001-36120060	619-309-12, 629-793-03
001-10705010	689-858-12	001-36120070	629-249-11, 629-842-11, 669-637-01
001-10808102	309-917-01	001-36120080	629-794-07, 629-795-06
001-10808162	819-302-41	001-36120090	629-794-07, 629-794-07, 629-795-06, 629-795-06
001-10810102	309-866-04, 309-867-11, 309-998-01	001-36120110	309-821-06, 309-822-03, 629-249-11, 629-794-07, 629-794-07, 629-795-06, 629-795-06, 669-637-01
001-12104002	709-122-02	001-36120120	629-667-12, 629-866-11, 639-204-01
001-12105002	709-146-12	001-36120140	309-660-03, 309-866-04, 309-867-11, 309-998-01, 619-309-12, 629-276-01, 629-559-21, 629-793-03, 629-793-03, 629-793-03
001-12108002	309-821-06, 309-822-03, 709-201-03, 779-414-01, 779-415-01		
001-12110002	609-169-01, 609-171-11, 689-858-12, 779-414-01, 779-415-01		
001-12112002	609-169-01, 609-171-11, 629-793-03, 629-794-07, 629-795-06, 779-414-01, 779-415-01		
001-12116002	709-201-03		
001-12118002	609-169-01, 609-171-11		

PART NO	INDEX NO	PART NO	INDEX NO
	629-866-11	009-39811500	309-901-13
001-36120150	669-637-01	009-39812700	309-917-01
001-36120160	629-629-03, 629-667-12,	009-45013514	619-309-12
	639-204-01, 639-616-01	009-46001025	629-610-11
001-36120180	309-821-06, 309-822-03,	009-46001030	309-885-21, 629-132-12,
	629-249-11, 629-629-03,		629-793-03, 629-794-07,
	629-794-07, 669-637-01		629-794-07, 629-795-06,
001-36120200	629-809-01		629-795-06
001-36120210	629-793-03, 629-794-07,	009-46001035	629-794-07, 629-795-06,
	629-795-06, 629-842-11		639-621-01
001-36120220	629-559-21	009-46001040	309-885-21
001-36120240	619-335-01, 629-794-07,	009-46001050	639-621-01
	629-842-11	009-46001140	689-376-22
001-36120260	309-697-01	009-46002025	629-842-11
001-36120280	629-842-11	009-46002030	629-794-07, 629-795-06
001-36120290	629-793-03, 629-794-07,	009-46002035	609-277-01, 629-794-07,
	629-795-06, 639-621-01		629-842-11, 639-616-01
001-36120300	639-616-01	009-46002040	629-794-07, 629-795-06
001-36120310	309-885-21	009-46002055	309-660-03, 309-693-02,
001-36120380	309-885-21		309-697-01, 309-905-04
001-36121100	689-858-12	009-46002075	309-901-13, 309-917-01
001-36122850	309-821-06	009-46002095	309-660-03, 309-905-04
001-37100702	629-104-01	009-46002100	309-866-04, 309-867-11,
001-37101003	669-637-01		309-998-01
001-37102102	629-793-03, 629-794-07,	009-46002115	309-901-13
	629-794-07, 629-794-07,	009-46002125	309-917-01
	629-795-06, 629-795-06,	009-46002140	309-822-03, 619-335-01
	629-795-06, 629-842-11	009-46002145	309-866-04, 309-867-11,
001-37102212	629-794-07, 629-795-06		309-998-01
001-37103002	639-621-01	009-46002150	309-821-06, 689-858-12
001-37103202	309-866-04, 309-867-11,	009-46002250	309-822-03
	309-998-01, 309-999-11	009-46202008	629-866-11
001-37104402	639-621-01	009-46301005	629-819-01
001-371111002	689-858-12	009-46301007	629-881-01
001-60101001	109-106-11, 109-197-01	009-46301012	629-793-03, 629-793-03,
001-60101002	309-821-06, 309-822-03,		629-794-07, 629-795-06,
	689-858-12		629-819-01
001-60902002	609-169-01, 609-171-11,	009-46301013	629-793-03, 629-793-03,
	619-108-01, 629-629-03,		629-794-07, 629-795-06
	629-793-03, 629-793-03	009-46302007	629-243-01, 629-793-03
001-60906002	629-794-07, 629-795-06	009-46401009	689-376-22
001-60908002	629-793-03, 629-794-07,	009-46401037	309-866-04, 309-867-11,
	629-795-06, 629-842-11		309-998-01, 689-376-22
001-65306000	309-866-04, 309-867-11,	009-46401052	309-822-03
	309-998-01	009-46402016	619-309-12
* < 009 > *		009-46402028	619-309-12
009-13112002	689-376-22	009-46402033	619-309-12
009-14210000	639-204-01	009-46402036	619-309-12
009-20717000	639-621-01	009-46402049	619-309-12, 619-335-01
009-25080040	309-660-03, 309-905-04	009-47002502	629-842-11
009-35006202	619-309-12	009-47012503	309-917-01
009-35006204	619-309-12	* < 019 > *	
009-35306008	779-414-01, 779-415-01	019-36120320	309-866-04, 309-867-11,
009-39809500	309-660-03, 309-905-04		309-998-01, 309-999-11

PART NO	INDEX NO
019-36120390	309-866-04, 309-867-11, 309-998-01, 309-999-11,
* < 099 > *	
099-46002080	309-999-11
099-46002125	309-999-11
* < 102 > *	
102-77547000	819-302-41
* < 109 > *	
109-10603001	109-106-11
109-10606011	109-106-11, 109-197-01
109-10711001	109-106-11, 109-197-01
109-11401001	109-106-11, 109-197-01
109-11402001	109-106-11, 109-197-01
109-14200101	109-106-11, 109-197-01
109-14202101	109-106-11, 109-197-01
109-14203101	109-106-11, 109-197-01
109-14204101	109-106-11, 109-197-01
109-19705001	109-197-01
* < 309 > *	
309-30906001	309-822-03
309-30911001	309-822-03
309-30923011	309-822-03
309-31505010	309-821-06
309-31529010	309-821-06
309-31607001	309-866-04, 309-867-11, 309-998-01
309-32314011	309-917-01
309-32339012	309-866-04, 309-867-11, 309-998-01, 309-999-11
309-32614001	309-901-13, 309-999-11
309-32714005	309-660-03, 309-905-04
309-33804004	309-999-11
309-33806005	309-999-11
309-33807001	309-999-11
309-33823005	309-999-11
309-34509001	309-901-13
309-34606001	309-917-01
309-34607021	309-917-01
309-34609021	309-917-01
309-41001011	309-437-01
309-41003001	309-437-01
309-41004001	309-437-01
309-41007001	309-437-01
309-41008013	309-437-01
309-41009001	309-437-01
309-41010001	309-437-01
309-41011001	309-437-01
309-41015001	309-437-01
309-41016001	309-437-01
309-41017013	309-437-01
309-41018001	309-437-01
309-41022001	309-437-01
309-41023013	309-437-01
309-41202001	309-437-01

PART NO	INDEX NO
309-41205001	309-437-01
309-43700101	309-437-01
309-43700201	309-437-01
309-43704001	309-437-01
309-43719001	309-437-01
309-43720001	309-437-01
309-43790001	309-437-01
309-43801001	309-887-01
309-43803001	309-887-01
309-43806001	309-887-01
309-43807001	309-887-01
309-43809001	309-887-01
309-44004011	309-887-01
309-44006011	309-887-01
309-44410001	309-887-01
309-45907001	309-999-11
309-46123001	309-821-06
309-46616001	309-999-11
309-46617001	309-999-11
309-48006001	309-901-13
309-49303001	309-887-01
309-50107001	309-647-01, 309-648-01
309-50108001	309-647-01, 309-648-01
309-50109001	309-647-01, 309-648-01
309-50110001	309-647-01, 309-648-01
309-50111001	309-647-01, 309-648-01
309-50112001	309-647-01
309-50113001	309-647-01, 309-648-01
309-50114001	309-647-01, 309-648-01
309-50702011	309-647-01, 309-648-01
309-50703001	309-647-01, 309-648-01
309-50704001	309-647-01, 309-648-01
309-50705011	309-647-01, 309-648-01
309-50714011	309-647-01, 309-648-01
309-50790001	309-647-01, 309-648-01
309-50807001	309-648-01
309-52320001	309-821-06, 309-822-03
309-52407001	309-821-06
309-52413001	309-821-06
309-54514002	309-866-04, 309-867-11, 309-998-01
309-55814001	309-866-04, 309-867-11, 309-998-01
309-56118002	309-901-13
309-56219002	309-917-01
309-56223003	309-999-11
309-56423001	309-660-03, 309-905-04
309-56434001	309-660-03, 309-905-04
309-57209001	309-693-02, 309-697-01
309-58916003	309-660-03, 309-901-13, 309-905-04, 309-917-01
309-58920003	309-660-03, 309-905-04
309-59920021	309-901-13
309-63201002	309-632-02

PART NO	INDEX NO	PART NO	INDEX NO
309-63202002	309-632-02	309-85904001	309-866-04, 309-867-11,
309-63203002	309-632-02		309-998-01, 309-867-11,
309-63205001	309-632-02	309-85905001	309-866-04, 309-867-11,
309-64701001	309-647-01, 309-648-01		309-998-01
309-66001003	309-660-03	309-85906001	309-866-04, 309-867-11,
309-66002003	309-660-03		309-998-01
309-66003020	309-660-03, 309-905-04	309-85907003	309-866-04, 309-867-11,
309-66004020	309-660-03, 309-905-04		309-998-01
309-66021020	309-660-03, 309-905-04	309-85990001	309-866-04, 309-867-11,
309-66220001	309-660-03, 309-901-13,		309-998-01
	309-905-04	309-86601004	309-866-04
309-66320002	309-917-01	309-86602004	309-866-04
309-66325002	309-917-01	309-86701011	309-867-11
309-66903001	309-697-01	309-86702007	309-867-11
309-66906001	309-697-01	309-86719003	309-866-04, 309-867-11,
309-66908001	309-693-02, 309-697-01		309-998-01
309-66912001	309-693-02, 309-697-01	309-88501011	309-885-21
309-66990001	309-697-01	309-88502011	309-885-21
309-67018001	309-693-02	309-88503001	309-885-21
309-67107001	309-693-02, 309-697-01	309-88504021	309-885-21
309-69301001	309-693-02	309-88505011	309-885-21
309-69302001	309-693-02	309-88506021	309-885-21
309-69303002	309-693-02	309-88507001	309-885-21
309-69304001	309-693-02	309-88508001	309-885-21
309-69315001	309-693-02	309-88510001	309-885-21
309-69390002	309-693-02	309-88511001	309-885-21
309-69701001	309-697-01	309-88513001	309-885-21
309-69702001	309-697-01	309-88514001	309-885-21
309-72312001	309-917-01	309-88522001	309-885-21
309-72330001	309-821-06, 309-822-03	309-88523021	309-885-21
309-80015002	309-821-06, 309-822-03	309-88524011	309-885-21
309-81327000	309-821-06, 309-822-03	309-88528011	309-885-21
309-81729001	309-821-06, 309-822-03	309-88529021	309-885-21
309-81732001	309-821-06, 309-822-03	309-88700101	309-887-01
309-81911002	309-822-03	309-88710001	309-887-01
309-82101005	309-821-06	309-88790001	309-887-01
309-82102005	309-821-06	309-90007001	309-917-01
309-82117001	309-821-06	309-90101013	309-901-13
309-82124005	309-821-06	309-90102013	309-901-13
309-82201003	309-822-03	309-90116001	309-901-13
309-82202003	309-822-03	309-90411001	309-901-13
309-82221002	309-822-03	309-90501004	309-905-04
309-82228001	309-822-03	309-90502004	309-905-04
309-82311002	309-821-06	309-90523004	309-821-06, 309-822-03
309-84430001	309-866-04, 309-998-01	309-91701001	309-917-01
309-85125001	309-866-04, 309-998-01	309-91702001	309-917-01
309-85209000	309-660-03, 309-905-04	309-91703001	309-917-01
309-85307001	309-866-04, 309-867-11,	309-91704001	309-917-01
	309-998-01	309-91706001	309-917-01
309-85308001	309-866-04, 309-867-11,	309-91709001	309-917-01
	309-998-01	309-91790001	309-917-01
309-85525003	309-866-04, 309-998-01	309-93804001	309-693-02, 309-697-01
309-85705001	309-999-11	309-93805001	309-693-02, 309-697-01
309-85903003	309-866-04	309-93806001	309-693-02

PART NO	INDEX NO	PART NO	INDEX NO
309-93903013	309-693-02	609-11813001	619-108-01
309-93910013	309-693-02	609-11815001	609-169-01, 609-171-11,
309-99513005	309-821-06		619-108-01
309-99590005	309-821-06	609-11913001	609-277-01
309-99603001	309-867-11, 309-998-01	609-13908001	609-169-01, 609-171-11
309-99801001	309-998-01	609-16903001	609-169-01
309-99802000	309-998-01	609-16906001	609-169-01
309-99812000	309-866-04, 309-867-11,	609-17103001	609-171-11
	309-998-01	609-17106001	609-171-11
309-99901011	309-999-11	609-17132001	609-171-11
309-99902011	309-999-11	609-17133001	609-171-11
309-99903010	309-999-11	609-17146001	609-171-11
309-99910010	309-999-11	609-19103000	609-169-01, 609-171-11
309-99990010	309-999-11	609-20106001	609-277-01
* < 329 > *		609-20127001	609-277-01
329-30304002	309-822-03	609-20226011	609-277-01
329-31008003	309-822-03	609-25401000	609-169-01, 609-171-11
329-31013003	309-822-03	609-25402000	609-169-01, 609-171-11
329-31404001	309-821-06	609-25404000	609-171-11
329-31408001	309-821-06	609-25406000	609-171-11
329-31409001	309-821-06	609-25408000	609-171-11
329-31415000	309-821-06	609-25413000	609-169-01, 609-171-11
329-31421000	309-821-06	609-25415000	609-169-01, 609-171-11
329-31803002	309-821-06	609-25418000	609-169-01, 609-171-11
329-32004001	309-821-06, 309-822-03	609-25420000	609-169-01, 609-171-11
329-32006001	309-821-06, 309-822-03	609-25421000	609-169-01, 609-171-11
329-32090001	309-822-03	609-25425000	609-169-01, 609-171-11
329-32103000	309-822-03	609-25704000	609-169-01
329-32107000	309-822-03	609-25708000	609-169-01
329-32116000	309-822-03	609-25810001	609-171-11
329-51613001	309-905-04	609-25822001	609-171-11
329-51690001	309-660-03, 309-905-04	609-27002002	609-277-01
329-52215002	309-660-03	609-27013002	609-277-01
329-53603001	309-901-13	609-27015001	609-277-01
329-53604001	309-901-13	609-27712001	609-277-01
329-53614001	309-901-13	609-27713001	609-277-01
329-53624001	309-901-13	609-27715001	609-277-01
329-53690001	309-901-13	609-27811001	609-277-01
329-65201001	329-652-01	609-27814001	609-277-01
329-65202001	329-652-01	609-27826001	609-277-01
329-65203001	329-652-01	609-27909001	609-169-01, 609-171-11
329-65204001	329-652-01	609-27920001	609-169-01, 609-171-11
329-65205001	329-652-01	609-27922001	609-169-01, 609-171-11
329-65207001	329-652-01	609-28615001	609-169-01, 609-171-11
329-92006001	309-660-03, 309-905-04	609-29244001	609-169-01, 609-171-11
* < 609 > *		609-29607001	609-169-01
609-11015000	609-277-01	609-29609001	609-169-01
609-11024000	609-169-01, 609-171-11,	609-29615001	609-169-01, 609-171-11
	609-277-01, 619-108-01	609-29620001	609-169-01, 609-171-11
609-11105001	619-108-01	609-29630001	609-169-01, 609-171-11
609-11106001	619-108-01	609-29631001	609-169-01, 609-171-11
609-11111001	619-108-01	609-29632001	609-169-01, 609-171-11
609-11310031	609-277-01	609-29706001	609-169-01
609-11617001	609-277-01	609-29709001	609-169-01

PART NO	INDEX NO	PART NO	INDEX NO
609-29713001	609-169-01, 609-171-11	619-32948001	619-309-12
609-29716001	609-169-01, 609-171-11	619-32950001	619-309-12
609-29717001	609-169-01, 609-171-11	619-32953001	619-309-12
609-29729001	609-169-01, 609-171-11	619-32954001	619-309-12
609-29730001	609-169-01, 609-171-11, 619-108-01	619-32955001	619-309-12
609-29732001	609-169-01	619-32956001	619-309-12
609-33208001	609-277-01	619-32957001	619-309-12
609-37112401	629-793-03	619-32970001	619-309-12
609-37115501	629-794-07, 629-795-06	619-32977001	619-309-12
609-37538001	619-335-01	619-33402001	619-335-01
* < 619 > *		619-33404001	619-335-01
619-10401001	619-108-01	619-33405001	619-335-01
619-10407001	609-169-01, 609-171-11, 619-108-01	619-33406001	619-335-01
619-10415001	609-169-01, 609-171-11, 619-108-01	619-33407001	619-335-01
619-10416001	609-169-01, 609-171-11, 619-108-01	619-33408001	619-335-01
619-10417001	619-108-01	619-33409001	619-335-01
619-10504001	609-169-01	619-33410001	619-335-01
619-10508001	609-169-01	619-33411001	619-335-01
619-10802001	619-108-01	619-33412001	619-335-01
619-10803001	619-108-01	619-33413001	619-335-01
619-10804001	619-108-01	619-33415001	619-335-01
619-10808001	619-108-01	619-33501001	619-335-01
619-30509001	619-567-01	619-33503001	619-335-01
619-30514011	619-567-01	619-33514001	619-335-01
619-30515001	619-567-01	619-33626001	619-335-01
619-30517001	619-567-01	619-34336001	619-335-01
619-30900112	619-309-12	619-35827101	609-169-01, 609-171-11
619-30904011	619-309-12	619-50617102	619-309-12
619-30905011	619-309-12	619-50632202	619-309-12
619-31141001	619-309-12	619-51202001	619-309-12
619-31440001	619-335-01	619-51203001	619-309-12
619-31441001	619-335-01	619-51204001	619-309-12
619-32201011	619-309-12	619-51205001	619-309-12
619-32207001	619-309-12	619-51209001	619-309-12
619-32209001	619-309-12	619-52700201	619-309-12
619-32211001	619-309-12	619-52700301	619-309-12
619-32212001	619-309-12	619-52700401	619-309-12
619-32213001	619-309-12	619-52700502	619-309-12
619-32214001	619-309-12	619-52721002	619-309-12
619-32222001	619-309-12	619-52732001	619-309-12
619-32223011	619-309-12	619-52743001	619-309-12
619-32224011	619-309-12	619-52746001	619-309-12
619-32233011	619-309-12	619-52747001	619-309-12
619-32239001	619-309-12	619-52749001	619-309-12
619-32911001	619-309-12	619-54401101	619-309-12
619-32914001	619-309-12	619-54402101	619-309-12
619-32915001	619-309-12	619-55206002	619-309-12
619-32916001	619-309-12	619-55207002	619-309-12
619-32944001	619-309-12	619-55208002	619-309-12
619-32945001	619-309-12	619-55290002	619-309-12
		619-55401201	619-309-12
		619-55401401	619-309-12
		619-55403101	619-309-12
		619-55404101	619-309-12

PART NO	INDEX NO	PART NO	INDEX NO
619-56701001	619-567-01	629-24514001	629-276-01
619-56702001	619-567-01	629-24616001	629-793-03
619-56703001	619-567-01	629-24820001	629-793-03
619-56704001	619-567-01	629-24901000	629-249-11
619-56705001	619-567-01	629-24902000	629-249-11
619-56707001	619-567-01	629-24903000	629-249-11
619-56708001	619-567-01	629-24904000	629-249-11
619-56709001	619-567-01	629-24905000	629-249-11
619-56710001	619-567-01	629-24906000	629-249-11
619-56711001	619-567-01	629-24907000	629-249-11
619-56712001	619-567-01	629-24908000	629-249-11
619-56713001	619-567-01	629-24909000	629-249-11
619-56714001	619-567-01	629-24910011	629-249-11
619-56716001	619-567-01	629-24911000	629-249-11
619-56717001	619-567-01	629-24912000	629-249-11
619-56790001	619-567-01	629-24913000	629-249-11
619-90326000	639-616-01	629-24914011	629-249-11
619-90334000	639-616-01	629-24922000	629-249-11
* < 629 > *		629-24926011	629-249-11
629-10401001	629-104-01	629-24928000	629-249-11
629-10402001	629-104-01	629-24932000	629-249-11
629-10403001	629-104-01	629-25204001	629-249-11
629-10404001	629-104-01	629-25205001	629-249-11
629-10405001	629-104-01	629-25213001	629-249-11
629-10408001	629-104-01	629-31545001	629-794-07, 629-795-06
629-12405001	629-249-11	629-31570001	629-794-07, 629-795-06
629-13201010	629-132-12	629-32800111	629-794-07, 629-795-06
629-13202001	629-132-12	629-33513001	629-717-02
629-13203001	629-132-12	629-34736011	629-793-03
629-13206010	629-132-12	629-34764011	629-793-03
629-13207001	629-132-12	629-34794021	629-793-03, 629-794-07,
629-13211101	629-793-03		629-795-06
629-13213101	629-793-03	629-36866001	629-794-07, 629-795-06
629-19407001	629-794-07, 629-795-06	629-36867001	629-793-03, 629-794-07,
629-20826011	629-793-03, 629-794-07,		629-795-06
	629-794-07, 629-795-06,	629-36868001	629-794-07, 629-795-06
	629-795-06	629-36905001	629-793-03, 629-794-07,
629-21426001	629-249-11		629-795-06
629-22603001	629-249-11	629-36913001	629-793-03
629-22604001	629-249-11	629-37137001	629-794-07, 629-795-06
629-22606001	629-249-11	629-37255001	629-793-03, 629-794-07,
629-24305000	629-243-01		629-795-06
629-24315000	629-243-01	629-37515002	629-794-07, 629-795-06
629-24316000	629-243-01	629-37529011	629-794-07, 629-795-06
629-24501001	629-243-01, 629-793-03	629-39809001	629-794-07, 629-795-06
629-24502001	629-243-01, 629-793-03	629-40332002	629-793-03, 629-794-07,
629-24503001	629-276-01		629-795-06
629-24504001	629-243-01	629-40338002	629-793-03, 629-794-07,
629-24505001	629-793-03		629-795-06
629-24506001	629-243-01, 629-793-03	629-40430001	629-793-03, 629-793-03
629-24507001	629-243-01, 629-793-03	629-40431001	629-793-03
629-24510001	629-243-01, 629-793-03	629-41056011	629-793-03
629-24511001	629-243-01, 629-793-03	629-42210001	629-793-03
629-24512001	629-243-01, 629-793-03	629-44503022	629-794-07, 629-795-06

PART NO	INDEX NO	PART NO	INDEX NO
629-44519001	629-793-03	629-55901501	629-559-21
629-44526001	629-793-03, 629-794-07, 629-795-06	629-55902021	629-559-21
629-44546001	629-794-07, 629-795-06	629-55906001	629-559-21
629-44686011	629-794-07, 629-795-06	629-55908002	629-559-21
629-49617002	629-793-03, 629-794-07, 629-795-06	629-55913001	629-559-21
629-49654002	629-793-03, 629-793-03	629-56145001	629-816-01
629-50574001	629-793-03, 629-793-03, 629-794-07, 629-795-06	629-56157001	309-632-02
629-50612001	629-794-07, 629-795-06	629-56182001	629-816-01
629-50918001	629-793-03, 629-794-07, 629-795-06	629-57318001	629-249-11, 629-842-11
629-50951000	629-793-03, 629-793-03, 629-794-07, 629-795-06	629-60102001	629-794-07, 629-795-06
629-53005001	629-794-07, 629-795-06	629-61001011	629-610-11
629-53088001	629-794-07, 629-795-06	629-61002011	629-610-11
629-53300101	629-793-03	629-62201001	629-622-01
629-53313201	629-793-03	629-62202001	629-622-01
629-53352001	629-793-03, 629-793-03	629-62203001	629-622-01
629-53390021	629-794-07, 629-795-06	629-62204001	629-622-01
629-55000101	629-794-07, 629-795-06	629-62205001	629-622-01
629-55001001	629-794-07, 629-795-06	629-62206001	629-622-01
629-55001401	629-794-07, 629-795-06	629-62208001	629-622-01
629-55007001	629-794-07, 629-795-06	629-62209001	629-622-01
629-55008001	629-794-07, 629-795-06	629-62803003	629-629-03
629-55011001	629-794-07, 629-795-06	629-62902003	629-629-03
629-55018001	629-794-07, 629-795-06	629-66502001	629-667-12
629-55021001	629-794-07, 629-795-06	629-66503001	629-667-12
629-55023001	629-793-03	629-66504001	629-667-12
629-55024001	629-794-07, 629-795-06	629-66505001	629-667-12
629-55028001	629-794-07, 629-795-06	629-66510001	629-667-12
629-55039001	629-794-07, 629-795-06	629-66607001	629-667-12
629-55040001	629-794-07, 629-795-06	629-66608021	629-667-12
629-55041001	629-794-07, 629-795-06	629-66609021	629-667-12
629-55043001	629-794-07, 629-795-06	629-68001001	629-667-12
629-55045001	629-794-07, 629-795-06	629-68017001	629-667-12
629-55046001	629-794-07, 629-795-06	629-69005001	639-204-01
629-55047001	629-794-07, 629-795-06	629-71701001	629-717-02
629-55048001	629-794-07, 629-795-06	629-71702001	629-717-02
629-55050001	629-794-07, 629-795-06	629-71703001	629-717-02
629-55052001	629-794-07, 629-795-06	629-71704001	629-717-02
629-55054001	629-794-07, 629-795-06	629-71705001	629-717-02
629-55055001	629-794-07, 629-795-06	629-71706001	629-717-02
629-55057001	629-794-07, 629-795-06	629-71707001	629-717-02
629-55078001	629-794-07, 629-795-06	629-71708001	629-717-02
629-55085001	629-794-07, 629-795-06	629-71709001	629-717-02
629-55900121	629-559-21	629-71710001	629-717-02
629-55900221	629-559-21	629-71711001	629-717-02
629-55900321	629-559-21	629-71918001	709-122-02
629-55900421	629-559-21	629-72420001	629-717-02
629-55900501	629-559-21	629-76500101	629-793-03
629-55900621	629-559-21	629-76500203	629-793-03
629-55900821	629-559-21	629-76500301	629-793-03
		629-76500401	629-793-03
		629-76500501	629-793-03
		629-76501101	629-793-03
		629-76501201	629-793-03
		629-76501401	629-793-03

PART NO	INDEX NO
629-76502101	629-793-03
629-76502202	629-793-03
629-76502401	629-793-03
629-76503401	629-793-03
629-76503501	629-793-03
629-76505001	629-793-03
629-76505101	629-793-03
629-76506101	629-793-03
629-76506301	629-793-03
629-76508101	629-793-03
629-76509401	629-793-03
629-76512101	629-793-03
629-76512501	629-793-03
629-76516501	629-793-03
629-76519201	629-793-03
629-76521401	629-793-03
629-76522101	629-793-03
629-76522201	629-793-03
629-76523203	629-793-03
629-76525101	629-793-03
629-77142001	629-794-07, 629-795-06
629-77201101	629-793-03
629-77214101	629-793-03
629-77217101	629-793-03
629-77600701	629-793-03
629-77600801	629-793-03
629-77600901	629-793-03
629-77601901	629-793-03
629-77602901	629-793-03
629-77604401	629-794-07
629-77604901	629-793-03
629-77605401	629-794-07
629-77605901	629-793-03
629-77606901	629-793-03
629-77607901	629-793-03
629-77624401	629-793-03
629-78200101	629-794-07, 629-795-06
629-78203001	629-794-07, 629-795-06
629-78204001	629-794-07, 629-795-06
629-78207001	629-794-07, 629-795-06
629-78208001	629-794-07, 629-795-06
629-78209001	629-794-07, 629-795-06
629-78216001	629-794-07, 629-795-06
629-78223001	629-794-07, 629-795-06
629-78228001	629-794-07, 629-795-06
629-78247001	629-794-07, 629-795-06
629-78251001	629-794-07, 629-795-06
629-78252001	629-794-07, 629-795-06
629-78253001	629-794-07, 629-795-06
629-78254001	629-794-07, 629-795-06
629-78255001	629-794-07, 629-795-06
629-78256001	629-794-07, 629-795-06
629-78257001	629-794-07, 629-795-06
629-78258001	629-794-07

PART NO	INDEX NO
629-78259001	629-794-07
629-78260001	629-794-07
629-78261001	629-794-07
629-78262001	629-794-07, 629-795-06
629-78263001	629-794-07, 629-795-06
629-78264001	629-794-07, 629-795-06
629-78265001	629-794-07, 629-795-06
629-78526001	629-793-03
629-80524001	629-249-11
629-80901001	629-809-01
629-80902001	629-809-01
629-80903001	629-809-01
629-81601001	629-816-01
629-81602001	629-816-01
629-81603001	629-816-01
629-81816002	629-667-12
629-81901001	629-819-01
629-81902001	629-819-01
629-81903001	629-819-01
629-81904001	629-819-01
629-81905001	629-819-01
629-81906001	629-819-01
629-81907001	629-819-01
629-81910001	629-819-01
629-82918011	639-621-01
629-83001001	629-830-01, 629-831-01
629-83002001	629-830-01
629-83003001	629-830-01, 629-831-01
629-83004001	629-830-01, 629-831-01
629-83005001	629-830-01, 629-831-01
629-83102001	629-831-01
629-83301001	629-629-03
629-83303001	629-629-03
629-83304001	629-629-03
629-83306001	629-629-03
629-84001001	629-866-11
629-84201001	629-842-11
629-84204001	629-842-11
629-84205001	629-842-11
629-84206001	629-842-11
629-84207001	629-842-11
629-84208001	629-842-11
629-84209001	629-842-11
629-84211001	629-842-11
629-84212001	629-842-11
629-84214001	629-842-11
629-84215001	629-842-11
629-84217001	629-842-11
629-84218001	629-842-11
629-84219001	629-842-11
629-84310002	629-842-11
629-86501001	629-866-11
629-86504001	629-866-11
629-86506001	629-866-11

PART NO	INDEX NO
629-86511001	629-866-11
629-86602011	629-866-11
629-86603011	629-866-11
629-86605011	629-866-11
629-86608011	629-866-11
629-86615011	629-866-11
629-88101001	629-881-01
629-88110000	629-881-01
629-88111000	629-881-01
629-88112001	629-881-01
629-88113001	629-881-01
629-88407000	629-881-01
629-88409000	629-881-01
629-88410000	629-881-01
629-88411000	629-881-01
629-88412000	629-881-01
629-88413000	629-881-01
629-90516001	629-794-07, 629-795-06
629-95216001	629-842-11
* < 639 > *	
639-12810003	629-793-03, 629-793-03, 629-794-07, 629-795-06
639-12811003	629-793-03, 629-793-03, 629-794-07, 629-795-06
639-12812003	629-793-03, 629-793-03, 629-793-03, 629-794-07, 629-795-06
639-16609001	629-793-03
639-16823001	629-793-03, 629-793-03, 629-793-03, 629-794-07, 629-795-06
639-17106001	629-793-03
639-17109001	629-793-03
639-17110001	629-793-03
639-17111001	629-793-03
639-20401001	639-204-01
639-20402001	639-204-01
639-20403001	639-204-01
639-20404001	639-204-01
639-20405001	639-204-01
639-20406001	639-204-01
639-20407001	639-204-01
639-20408001	639-204-01
639-20410001	639-204-01
639-20411001	639-204-01
639-25805001	629-793-03
639-25808001	629-793-03
639-32305001	629-794-07, 629-795-06
639-32308001	629-794-07, 629-795-06
639-32309001	629-794-07, 629-795-06
639-40005001	629-793-03, 629-793-03
639-40006001	629-793-03, 629-793-03
639-40009001	629-793-03, 629-793-03
639-40622001	629-793-03, 629-794-07,

PART NO	INDEX NO
	629-795-06
639-41905002	639-616-01
639-46800004	309-866-04, 309-867-11, 309-998-01, 309-999-11
639-48208001	629-794-07, 629-795-06
639-48512001	629-132-12, 629-793-03, 629-793-03, 629-793-03, 629-793-03, 629-794-07, 629-795-06
639-49108001	639-621-01
639-49109001	639-621-01
639-49111001	639-621-01
639-49118001	639-621-01
639-49119001	639-621-01
639-49122001	309-885-21
639-49123001	639-621-01
639-49124001	639-621-01
639-49125001	639-621-01
639-49501001	639-621-01
639-49502001	639-621-01
639-49503001	639-621-01
639-49504001	639-621-01
639-49505001	639-621-01
639-49513001	639-621-01
639-49515001	639-621-01
639-49516001	639-621-01
639-49517001	309-885-21, 639-621-01
639-49520001	639-621-01
639-49523001	639-621-01
639-50002000	639-616-01
639-50022000	639-616-01
639-51215001	639-616-01
639-51412001	629-610-11
639-51414001	629-793-03
639-51415001	629-610-11
639-61601001	639-616-01
639-61609001	639-616-01
639-61618001	639-616-01
639-61619001	639-616-01
639-61620001	639-616-01
639-61622001	639-616-01
639-61623001	639-616-01
639-61625001	639-616-01
639-61626001	639-616-01
639-61628001	639-616-01
639-61629001	639-616-01
639-61907001	639-621-01
639-61910001	639-621-01
639-61912001	639-621-01
639-61918001	639-621-01
639-61919001	639-621-01
639-61934001	639-621-01
639-61935001	639-621-01
639-61936001	639-621-01

PART NO	INDEX NO	PART NO	INDEX NO
639-62106001	639-621-01	689-38213011	689-376-22
649-62106001	639-621-01	689-38215011	689-376-22
649-33801001	649-338-01	689-38904002	689-376-22
649-33802001	649-338-01	689-38905002	689-376-22
649-33803001	649-338-01	689-38906002	689-376-22
649-33804001	649-338-01	689-38907002	689-376-22
649-34912001	649-338-01	689-38909002	689-376-22
* < 669 > *		689-38911002	689-376-22
669-10107001	629-794-07, 629-795-06	689-39230002	689-376-22
669-11309201	629-559-21	689-39234002	689-376-22
669-12309001	669-637-01	689-85801011	689-858-12
669-12310001	669-637-01	689-85802012	689-858-12
669-12323001	669-637-01	689-85803011	689-858-12
669-12325001	669-637-01	689-85804011	689-858-12
669-12326001	669-637-01	689-85805011	689-858-12
669-12328001	669-637-01	689-85806011	689-858-12
669-12329001	669-637-01	689-85811011	689-858-12
669-63501001	669-637-01	689-85815011	689-858-12
669-63502001	669-637-01	689-85816011	689-858-12
669-63503001	669-637-01	689-85817011	689-858-12
669-63505001	669-637-01	* < 709 > *	
669-63506001	669-637-01	709-12201002	709-122-02
669-63508001	669-637-01	709-12202002	709-122-02
669-63510001	669-637-01	709-12203002	709-122-02
669-63511001	669-637-01	709-12204002	709-122-02
669-63512001	669-637-01	709-12205002	709-122-02
669-63513001	669-637-01	709-12206002	709-122-02
669-63515002	669-637-01	709-12207002	709-122-02
669-63519001	669-637-01	709-12208002	709-122-02
669-63520002	669-637-01	709-12209002	709-122-02
669-63522001	669-637-01	709-12210002	709-122-02
669-63523001	669-637-01	709-12211002	709-122-02
669-63524001	669-637-01	709-12212002	709-122-02
669-63527001	669-637-01	709-12214002	709-122-02
669-63534001	669-637-01	709-12215002	709-122-02
669-63535001	669-637-01	709-12217002	709-122-02
669-63536001	669-637-01	709-12218002	709-122-02
669-63707001	669-637-01	709-12219002	709-122-02
669-63737001	669-637-01	709-12220002	709-122-02
669-63738001	669-637-01	709-12221002	709-122-02
* < 689 > *		709-12222001	709-122-02
689-30101001	689-301-01	709-12223002	709-122-02
689-30104000	689-301-01	709-12224002	709-122-02
689-30502001	629-276-01, 689-301-01	709-12225002	709-122-02
689-31101002	689-376-22	709-12226001	709-122-02
689-31102002	689-376-22	709-12227001	709-122-02
689-34400111	689-344-11	709-12228002	709-122-02
689-34401001	689-344-11	709-12229002	709-122-02
689-34402011	689-344-11	709-12230002	709-122-02
689-34402111	689-344-11	709-12231002	709-122-02
689-37600122	689-376-22	709-12232002	709-122-02
689-37603022	689-376-22	709-12234002	709-122-02
689-37619012	689-376-22	709-12235002	709-122-02
689-38210011	689-376-22	709-12236002	709-122-02

PART NO	INDEX NO
709-12237002	709-122-02
709-12238002	709-122-02
709-12239001	709-122-02
709-12241002	709-122-02
709-12242002	709-122-02
709-12243002	709-122-02
709-12244002	709-122-02
709-12245002	709-122-02
709-12246002	709-122-02
709-12247002	709-122-02
709-12248002	709-122-02
709-12250002	709-122-02
709-12251001	709-122-02
709-12253001	709-122-02
709-12254001	709-122-02
709-12255001	709-122-02
709-12257002	709-122-02
709-12258002	709-122-02
709-12259001	709-122-02
709-12260001	709-122-02
709-12261001	709-122-02
709-12262001	709-122-02
709-12263002	709-122-02
709-12264002	709-122-02
709-12265002	709-122-02
709-12266002	709-122-02
709-12268002	709-122-02
709-12269002	709-122-02
709-12457001	709-122-02
709-12513001	709-122-02
709-12650001	709-122-02
709-13509005	709-146-12
709-13511005	709-146-12
709-14401002	709-146-12
709-14403002	709-146-12
709-14408002	709-146-12
709-14411002	709-146-12
709-14412002	709-146-12
709-14413002	709-146-12
709-14416002	709-146-12
709-14419002	709-146-12
709-14420011	709-146-12
709-14421012	709-146-12
709-14501012	709-146-12
709-14602001	709-146-12
709-14614001	709-146-12
709-14616001	709-146-12
709-14627001	709-146-12
709-20101003	709-201-03
709-20107003	709-201-03
709-20109003	709-201-03
709-20110003	709-201-03
709-20111003	709-201-03
709-20114003	709-201-03

PART NO	INDEX NO
709-20119003	709-201-03
709-20120003	709-201-03
709-20122003	709-201-03
709-20124003	709-201-03
709-20125003	709-201-03
709-24301001	709-243-03
709-24302002	709-243-03
709-24314001	709-243-03
709-40202001	709-408-01
709-40203001	709-408-01
709-40502001	709-422-01
709-40503001	709-422-01
709-40801001	709-408-01
709-42201001	709-422-01
* < 779 > *	
779-41401000	779-414-01
779-41402000	779-414-01, 779-415-01
779-41403000	779-414-01
779-41407000	779-414-01
779-41408000	779-414-01
779-41413000	779-414-01, 779-415-01
779-41414000	779-414-01, 779-415-01
779-41415000	779-414-01, 779-415-01
779-41428000	779-414-01, 779-415-01
779-41429000	779-414-01, 779-415-01
779-41501000	779-415-01
779-41503000	779-415-01
779-41507000	779-415-01
779-41508000	779-415-01
779-41522001	779-414-01, 779-415-01
779-41523001	779-414-01, 779-415-01
779-41524001	779-414-01, 779-415-01
* < 819 > *	
819-30201032	819-302-41
819-30202051	819-302-41
819-30203021	819-302-41
819-30204001	819-302-41
819-30205011	819-302-41
819-30206012	819-302-41
819-30207022	819-302-41
819-30208003	819-302-41
819-30209001	819-302-41
819-30210001	819-302-41
819-30211001	819-302-41
819-30212002	819-302-41
819-30213001	819-302-41
819-30214012	819-302-41
819-30215011	819-302-41
819-30217011	819-302-41
819-30218002	819-302-41
819-30219001	819-302-41

KATO WORKS CO.,LTD.

HEAD OFFICE: 9-37, Higashi-ohi 1-chome, Shinagawa-ku,
(EXPORT DEPT.) Tokyo, 140 Japan
Telephone: Tokyo (03)458-1111
Telex Number: 222-4519 (CRKATO J)
Cable Address: CRANEKATO TOKYO

KATO

UX81231