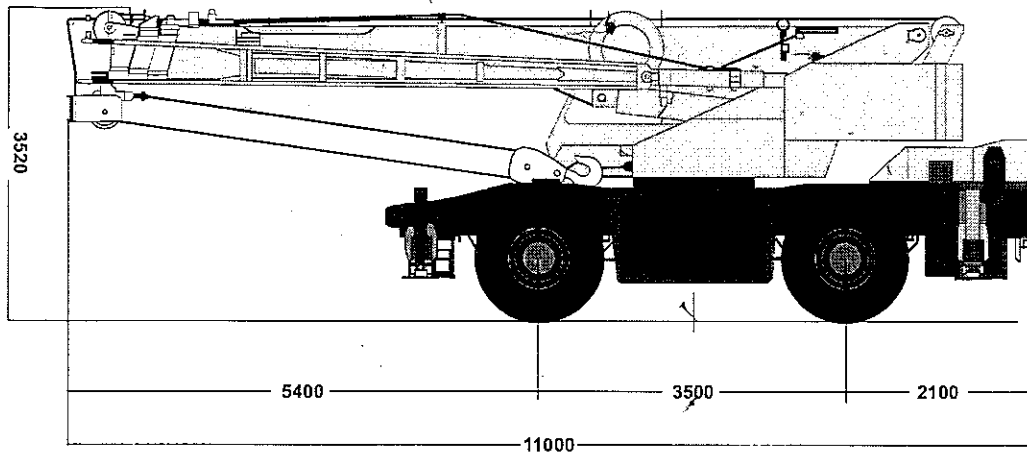
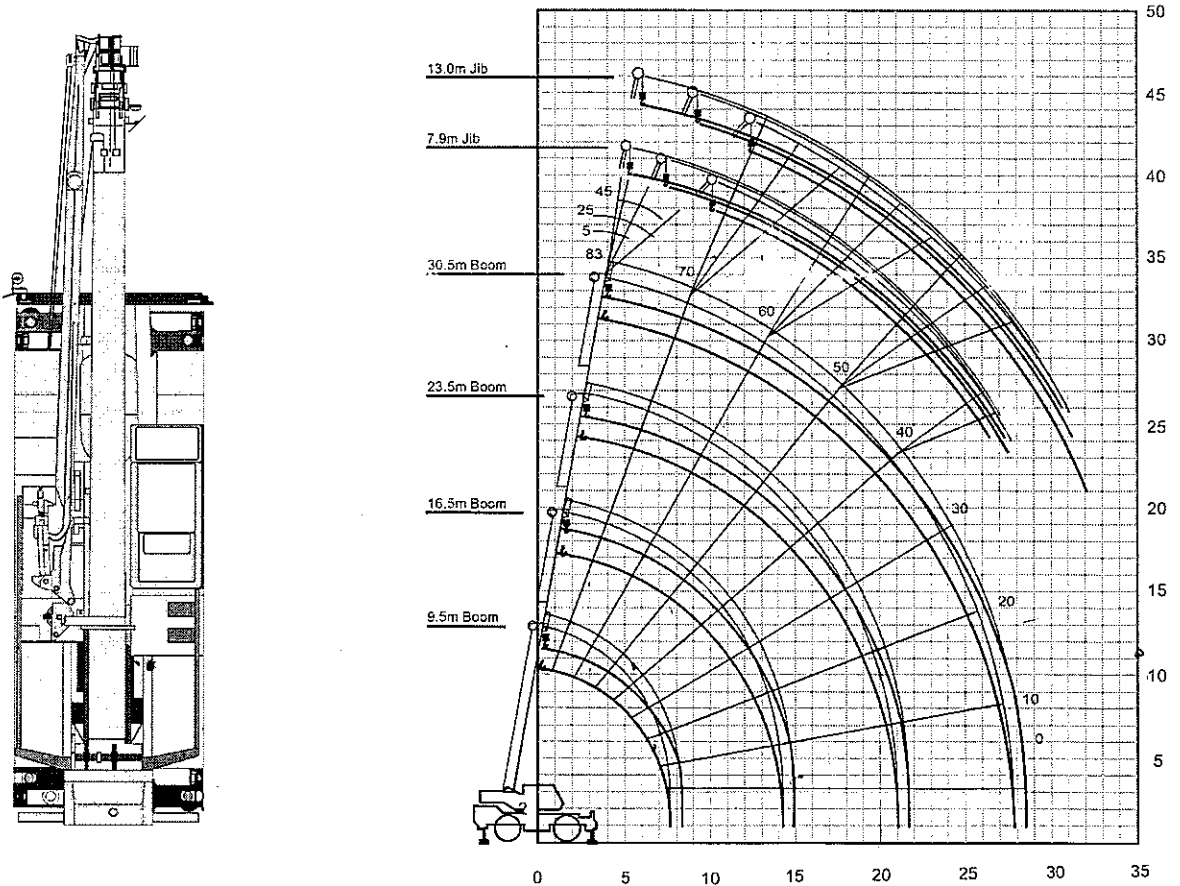


25 TONNE ROUGH TERRAIN CRANE



GENERAL DIMENSIONS

WORKING RANGE





KATO KR-25H

25 TONNE ROUGH TERRAIN CRANE

LOAD RATINGS IN TONNES

360°

BS 1757

MAIN BOOM RATED LOADS

Working Radius (m)	Outriggers Fully Extended (6.3m) 360° Full Range				Outriggers Intermediately Extended (5.1m) Over Side				Outriggers Intermediately Extended (3.8m) Over Side				Outriggers Fully Retracted (2.2m) Over Side				
	9.5m Boom	16.5m Boom	23.5m Boom	30.5m Boom	9.5m Boom	16.5m Boom	23.5m Boom	30.5m Boom	9.5m Boom	16.5m Boom	23.5m Boom	30.5m Boom	9.5m Boom	16.5m Boom	23.5m Boom	30.5m Boom	
2.5	25.00	18.00			25.00	18.00			25.00	18.00			12.00	11.60			
3.0	25.00	18.00	12.50		25.00	18.00	12.50		25.00	18.00	12.50		12.00	11.60	9.70		
3.5	25.00	18.00	12.50		25.00	18.00	12.50		20.00	18.00	12.50		9.35	8.95	9.70		
4.0	23.00	18.00	12.50	7.00	23.00	18.00	12.50	7.00	15.70	15.60	12.50	7.00	7.55	7.15	7.80	5.50	
4.5	21.20	18.00	12.50	7.00	21.20	18.00	12.50	7.00	12.60	12.60	12.50	7.00	6.20	5.80	6.45	5.50	
5.0	19.40	16.70	12.50	7.00	18.40	16.70	12.50	7.00	10.60	10.40	10.70	7.00	5.15	4.80	5.40	5.50	
5.5	17.80	15.50	11.75	7.00	15.40	15.00	11.75	7.00	9.05	8.80	9.30	7.00	4.35	4.00	4.60	4.75	
6.0	16.30	14.40	11.19	7.00	13.00	12.60	11.10	7.00	7.70	7.60	8.20	7.00	3.70	3.40	3.95	4.15	
6.5	15.10	13.45	10.40	7.00	11.20	10.80	10.40	7.00	6.80	6.50	7.25	7.00	3.15	2.85	3.40	3.65	
7.0		12.65	9.80	7.00		9.40	9.00	7.00		5.80	6.40	6.55		2.40	2.95	3.20	
7.5		11.50	9.25	7.00		8.25	8.00	7.00		4.90	5.70	5.90		2.05	2.55	2.80	
8.0		10.65	8.75	6.75		7.30	8.00	6.75		4.40	5.05	5.30		1.70	2.25	2.50	
9.0		8.40	7.65	6.15		5.80	6.50	6.15		3.50	4.05	4.35		1.10	1.75	1.95	
10.0		6.90	7.00	5.60		4.70	5.40	5.60		2.80	3.30	3.65		0.85	1.35	1.65	
11.0		5.70	6.40	5.15		3.80	4.55			2.15	2.75	3.05			0.95	1.20	
12.0		4.80	5.45	4.70		3.25	3.85	4.15		1.65	2.30	2.60				0.90	
13.0		4.10	4.70	4.35		2.70	3.25	3.55		1.30	1.90	2.20					
13.5		3.80	4.40	4.20		2.50	3.05	3.30		1.10	1.75	2.00					
14.0			4.10	4.05			2.85	3.10			1.55	1.85					
15.0			3.60	3.80			2.45	2.70			1.30	1.55					
15.5			3.40	3.65			2.25	2.50			1.15	1.45					
16.0			3.15	3.45			2.10	2.35			1.00	1.30					
17.0			2.80	3.05			1.80	2.10			0.75	1.10					
18.0			2.45	2.70			1.50	1.80			0.55	0.90					
19.0			2.15	2.45			1.25	1.60			0.40	0.70					
20.0			1.90	2.20			1.05	1.40				0.55					
20.5			1.80	2.05				1.30									
21.0				1.95				1.20									
22.0				1.75				1.00									
24.0				1.40				0.70									
26.0				1.15				0.45									
27.5				0.95													
Boom Critical Angle										20°	40°		40°	53°	60°		
Standard Hook		25t Hook				25t Hook				25t Hook				25t Hook			
Hook Weight		230 kg				230 kg				230 kg				230 kg			
Parts of Line	8	6	4	4	8	6	4	4	8	6	4	4	8	6	4	4	

Working Radius (m)	Stationary on Rubber (Without Outriggers)						Pick & Carry (Less than 2 km/hr) (Without Outriggers)						
	9.5m Boom		16.5m Boom		23.5m Boom		9.5m Boom		16.5m Boom		23.5m Boom		
	Over Front	360° Full Range	Over Front	360° Full Range	Over Front	360° Full Range	Over Front	360° Full Range	Over Front	360° Full Range	Over Front	360° Full Range	
3.0	14.00	9.00	9.00	7.30			10.50	7.00	7.50	5.10			
3.5	14.00	7.60	9.00	7.30	6.50	4.50	10.50	6.20	7.50	5.10	5.50	3.20	
4.0	12.50	6.30	9.00	5.85	6.50	4.50	9.50	5.30	7.50	4.90	5.50	3.20	
4.5	10.90	5.20	9.00	4.75	6.50	4.50	8.70	4.40	7.50	3.95	5.50	3.20	
5.0	9.55	4.30	8.20	4.00	6.50	4.30	7.70	3.60	7.00	3.30	5.50	3.20	
5.5	8.30	3.90	7.40	3.30	6.05	3.70	6.80	3.00	6.20	2.70	5.15	3.10	
6.0	7.20	3.00	6.60	2.80	5.65	3.20	5.90	2.50	5.50	2.30	4.80	2.70	
6.5	6.25	2.50	5.90	2.35	5.25	2.75	5.10	2.10	4.90	1.90	4.45	2.30	
7.0			5.25	1.95	4.85	2.40			4.35	1.60	4.15	2.00	
8.0			4.10	1.35	4.10	1.60			3.40	1.00	3.50	1.50	
9.0			3.25	0.85	3.50	1.40			2.70	0.80	2.95	1.10	
10.0			2.60	0.45	3.00	1.05			2.10		2.45	0.75	
11.0			2.10		2.55	0.75			1.65		2.05	0.55	
12.0			1.70		2.20				1.30		1.70		
13.0			1.35		1.85				1.00		1.40		
14.0					1.60						1.15		
15.0					1.25						0.95		
16.0					1.00						0.75		
17.0					0.80						0.60		
18.0					0.60								
Critical Boom Angle				40°		53°				45°	30°	54°	
Standard Hook		25t Hook						25t Hook					
Hook Weight		230 kg						230 kg					
Parts of Line	8	8	6	6	4	4	8	8	6	6	4	4	



KATO KR-25H

25 TONNE ROUGH TERRAIN CRANE

LOAD RATINGS IN TONNES

360°

BS 1757

FLY JIB RATED LOADS

30.5m Boom + 13.0m Jib (Standard Hook: for 3.0 ton (Hook Weight: 60 kg), Parts of Line: 1)													
Boom Angle (°)	Outriggers Fully Extended (6.3m)						Outriggers Intermediately Extended (5.1m)						
	5° Offset		25° Offset		45° Offset		Boom Angle (°)	5° Offset		25° Offset		45° Offset	
	Working Radius (m)	Load (ton)	Working Radius (m)	Load (ton)	Working Radius (m)	Load (ton)		Working Radius (m)	Load (ton)	Working Radius (m)	Load (ton)	Working Radius (m)	Load (ton)
83.0	5.8	2.00	10.3	1.26	13.3	0.80	83.0	5.8	2.00	10.3	1.25	13.3	0.80
77.5	10.4	2.00	14.4	1.25	17.1	0.80	77.5	10.4	2.00	14.4	1.25	17.1	0.80
76.0	11.6	2.00	15.5	1.20	18.0	0.80	76.0	11.6	2.00	15.5	1.20	18.0	0.80
69.0	18.8	1.55	20.2	1.00	22.3	0.80	69.0	18.8	1.55	20.2	1.00	22.3	0.80
65.0	19.5	1.35	22.7	0.95	24.5	0.77	65.0	19.5	1.35	22.7	0.95	24.5	0.77
60.0	22.8	1.05	25.7	0.90	27.0	0.73	61.5	21.8	1.15	24.9	0.90	26.3	0.75
55.0	25.8	0.95	28.5	0.85	29.4	0.67	58.5	23.5	0.90	26.4	0.75	27.7	0.70
52.0	27.6	0.85	30.0	0.80	30.7	0.64	55.0	25.4	0.80	28.2	0.50	29.2	0.50
50.0	28.6	0.75	31.0	0.65	31.5	0.62	53.0	26.5	0.45	29.1	0.40	30.1	0.40
47.5	29.8	0.60	32.0	0.55	32.4	0.60	Critical Boom Angle	51°		51°		51°	
45.0	31.0	0.50	33.0	0.45	33.2	0.45							
Critical Boom Angle	42°		42°		42°								

30.5m Boom + 7.9m Jib (Standard Hook: for 3.0 ton (Hook Weight: 60 kg), Parts of Line: 1)													
Boom Angle (°)	Outriggers Fully Extended (6.3m)						Outriggers Intermediately Extended (5.1m)						
	5° Offset		25° Offset		45° Offset		Boom Angle (°)	5° Offset		25° Offset		45° Offset	
	Working Radius (m)	Load (ton)	Working Radius (m)	Load (ton)	Working Radius (m)	Load (ton)		Working Radius (m)	Load (ton)	Working Radius (m)	Load (ton)	Working Radius (m)	Load (ton)
83.0	4.5	3.00	7.0	2.10	9.0	1.80	83.0	4.5	3.00	7.0	2.10	9.0	1.80
72.5	11.8	3.00	13.9	2.10	16.0	1.60	72.5	11.8	3.00	13.9	2.10	15.9	1.60
71.5	12.6	3.00	14.6	2.10	16.4	1.55	71.5	12.6	3.00	14.6	2.10	16.4	1.55
70.0	13.4	2.80	15.5	2.00	17.1	1.50	70.0	13.4	2.80	15.5	2.00	17.1	1.50
65.0	16.5	2.30	18.4	1.70	19.6	1.35	67.0	15.3	2.45	17.3	1.80	18.6	1.40
60.0	19.4	1.90	21.1	1.50	22.0	1.20	64.0	17.0	1.95	19.0	1.65	20.1	1.30
57.0	21.0	1.75	22.6	1.40	23.3	1.15	61.5	18.3	1.60	20.2	1.35	21.4	1.25
54.0	22.5	1.40	24.0	1.30	24.6	1.10	60.0	19.1	1.40	20.9	1.20	22.0	1.10
51.5	23.7	1.15	25.2	1.05	25.7	1.05	55.0	21.7	0.85	23.3	0.75	24.1	0.70
50.0	24.4	1.05	25.9	0.95	26.3	0.95	50.0	24.1	0.45	25.5	0.40	26.0	0.40
45.0	26.6	0.70	27.8	0.65	28.1	0.65	Critical Boom Angle	48°		48°		48°	
40.0	28.6	0.40	29.6	0.40									
Critical Boom Angle	37°		37°		42°								

OTHER RATINGS AVAILABLE ON REQUEST