



# PARTS MANUAL

## LOAD KING

### POLE TRAILER

REV A

JAN 4, 2018

# TABLE OF CONTENTS

INTRODUCTION .....	3
DEFINITIONS USED IN THIS MANUAL .....	4
CAPACITY INFORMATION .....	5
TPT00300, LK112PT POLE TRAILER ASSEMBLY .....	6
TPT00250, LK111PT POLE TRAILER ASSEMBLY .....	8
TPT00140, LK122PT POLE TRAILER ASSEMBLY .....	10
TPT00002, SLIDE ASSEMBLY .....	12
TPT00135, WELDMENT, STANCHION .....	13
PARTS CATALOG .....	14
TPT00020, TOOL BOX ASSEMBLY .....	23
HARDWARE .....	24
LIGHTS .....	28
TIRES AND WHEELS .....	29
LOAD KING POLE TRAILER LABELS .....	30
LOAD KING WARRANTY .....	32
LIMITATION OF LIABILITY .....	32
LOAD KING WARRANTY DATA RECORD .....	33
REVISION CONTENT .....	34

## Company

Load King has been producing quality trailers since 1956. We are located in Elk Point, South Dakota.

Although the trailer industry is an ever-changing environment and we've seen many changes over the years, we have remained committed to the simple philosophy that we will make a reasonable profit through the designing, manufacturing, and marketing of top quality products that we can always be proud to call Load King. We have not, and will not, compromise in this area.

Quality shows in all facets of an operation, from the moment you make your first phone call for a product inquiry to the time you sell your used equipment and realize you've received top dollar on your sale. We continue to strive for excellence in every area and never quit trying to improve. We have earned our reputation believing that quality is value and value sells products.

Through our shared Engineering, Marketing and Sales teams, Load King and Custom Truck One Source bring that tradition of quality and value to another market with the Load King Pole Trailer.

## About Custom Truck One Source

Beginning in February of 2015, three family-owned and operated companies (Custom Truck & Equipment, Utility Fleet Sales and Forestry Equipment of VA) joined together to form what is now Custom Truck One Source. Shortly after its inception, UCO Equipment became a part of the CTOS family along with TNT Equipment six months later. In December 2015, CTOS welcomed its sixth company under its brand, Load King, a leading manufacturer of high-quality and customizable trailers.


The announcement of the partnership represented the platform's collective commitment to the continued growth and dominance of each legacy company's individual offerings, now compounded to leverage the expertise of the team and, ultimately, better serve loyal CTOS customers all over the world. CTOS will build upon the market positions of each legacy company, while serving as a single source supplier of specialty equipment and services for the utility and heavy equipment industries. The utility and heavy equipment platform collectively offers sales, rentals, parts and after market services, remanufacturing, customized equipment and transportation.

## Online Access

Load King provides the latest parts and operators manuals for our products online. Download the latest updates at <https://loadkingtrailers.com/>


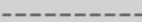


## Definitions Used in this Manual

The following table describes text and symbols used to highlight important information.

Signal Word	Symbol	Explanation
WARNING		WARNING IS USED TO ALERT READERS ABOUT THE POTENTIAL FOR SERIOUS INJURY OR DEATH OR SERIOUS DAMAGE TO EQUIPMENT.

Table—1

The following table describes line types in the parts drawings.

LINE FONTS		DESCRIPTION
	SOLID LINE FONT	INDICATES PART OUTLINES IN THE DRAWINGS.
	DASHED LINE FONT	INDICATES HOW TWO OR MORE PARTS ASSEMBLE.
	KEYED BOX/BRACKET	INDICATES PARTS INSIDE OF A SUB ASSEMBLY.
	DASHED KEY	INDICATES PART NOT VISIBLE OR HIDDEN IN VIEW

Table—2

## SAFETY WARNINGS



**WARNING: All repairs, adjustments and maintenance not described in the Operator's Manual must be performed by Qualified Service Personnel.**



**WARNING: Hydraulic system components can contain high pressures of which, if suddenly or unexpectedly released, can cause serious injury or death by direct contact with the pressurized oil or by contact with moving machine components.**

---

## CAPACITY INFORMATION

---



The Following information is specific to each of the different models of the Load King pole trailer. Be aware of your specific model when referencing the information below.

### **LK112PT – Load King tandem axle, dual wheel, open deck pole trailer**

Tandem 12K axles with leaf spring suspension

235/75R17.5H radial tires on 17.5" X 6.75" steel wheels (dual)

19,500 pound (8864 KG) rated frame capacity at 60 MPH

24,000 pound (10909 KG) GVWR – GVWR determined by traditional Load King methodology – it can be estimated slightly higher if you assume 10% weight transfer to tow vehicle

12,000 pound (5455 KG) GAWR

### **LK111PT – Load King single axle, dual wheel, open deck pole trailer**

Single 16K axle w/ leaf spring suspension

235/75R17.5H radial tires on 17.5" X 6.75" steel wheels (single)

12,500 pound (5682 KG) rated frame capacity at 60 MPH

16,000 pound (7273 KG) GVWR – GVWR determined by traditional Load King methodology – it can be estimated slightly higher if you assume 10% weight transfer to tow vehicle

16,000 pound (7273 KG) GAWR

### **LK122PT – Load King tandem axle, single wheel, box style pole trailer**

Tandem 10K torsion beam axles

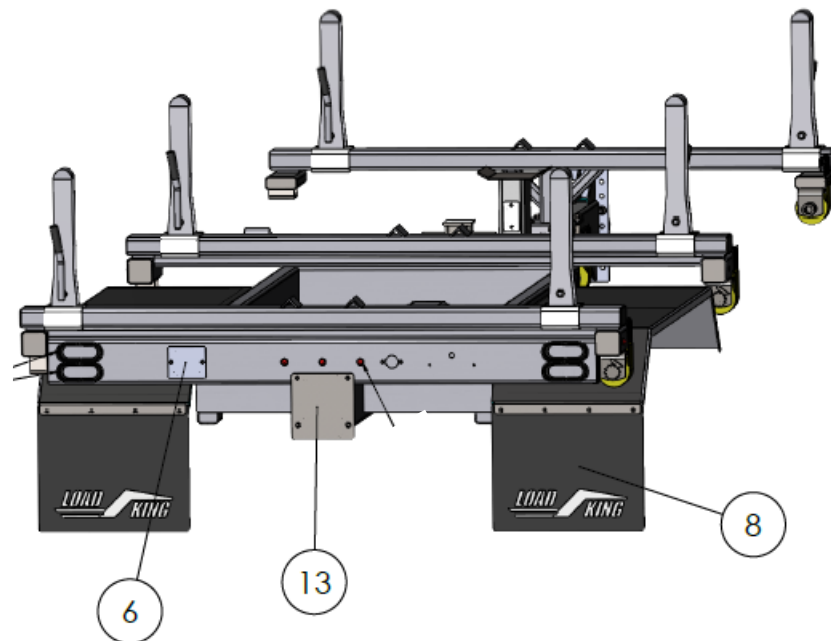
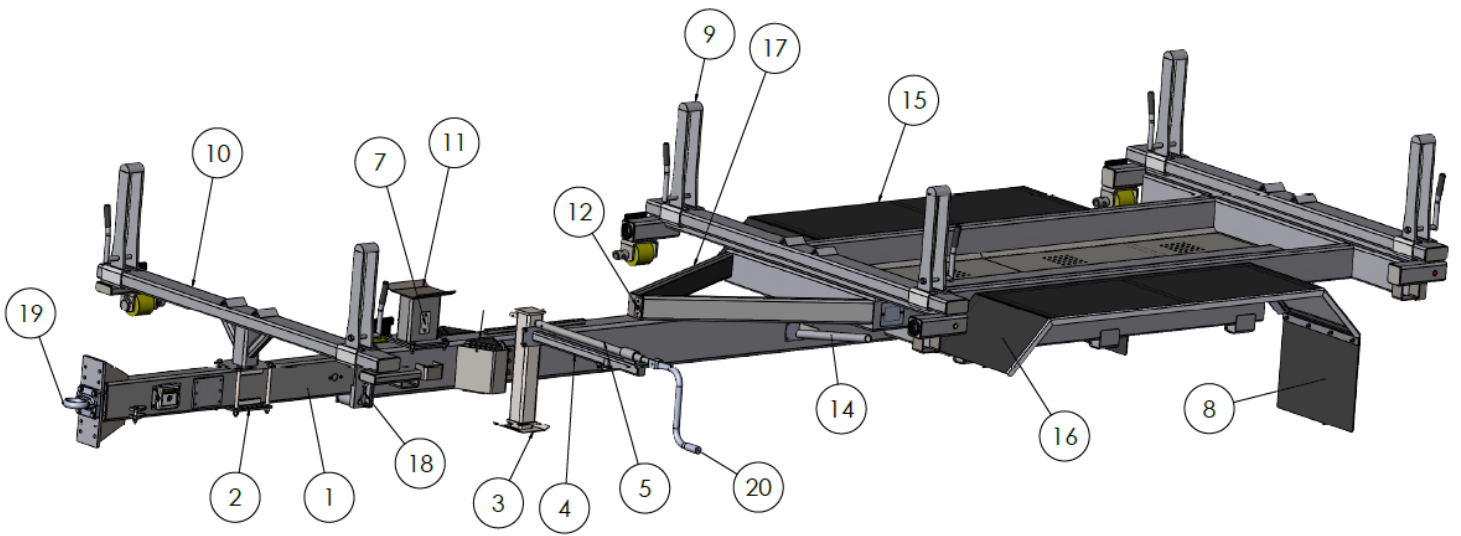
235/75R17.5H radial tires on 17.5" X 6.75" steel wheels (single)

14,500 pound (6591 KG) rated frame capacity at 60 MPH

20,000 pound (9091 KG) GVWR – GVWR determined by traditional Load King methodology – it can be estimated slightly higher if you assume 10% weight transfer to tow vehicle

10,000 pound (4545 KG) GAWR

**TPT00300, LK112PT POLE TRAILER ASSEMBLY**



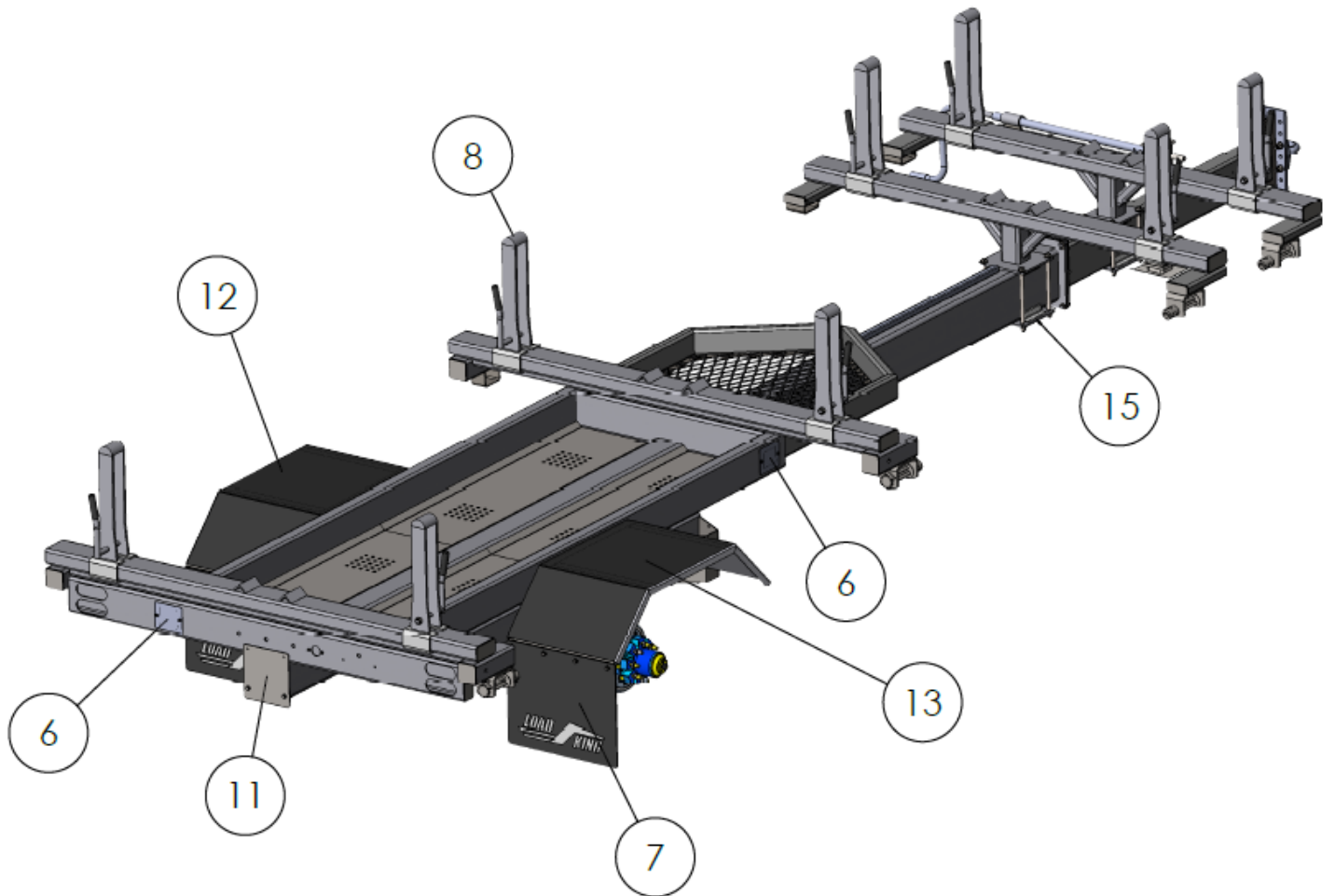
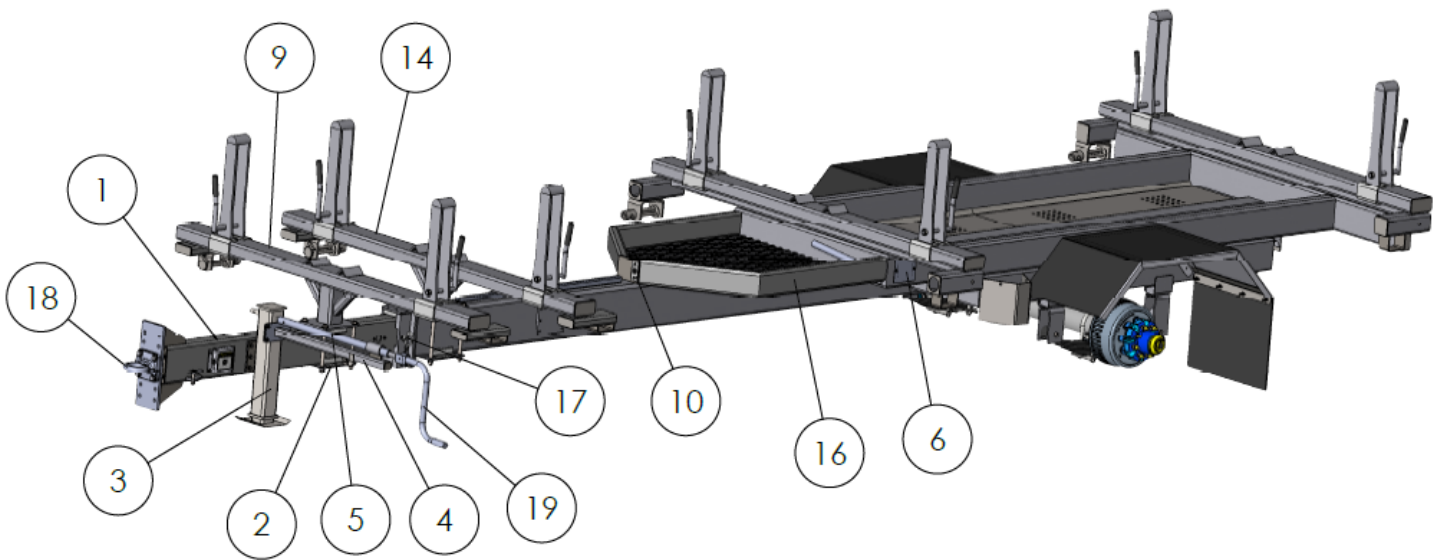
**TPT00300, LK112PT POLE TRAILER ASSEMBLY (Cont.)**

ITEM NO.	PART NUMBER	DESCRIPTION	QTY.	PAGE NO.
1	TPT00002*	SLIDE ASSEMBLY	1	12
2	TPT00045	WELDMENT, BOLSTER BOT PLT	1	15
3	TPT00055	WELDMENT, JACK	1	15
4	TPT00060	WELDMENT, JACK EXTENSION	1	16
5	TPT00065	WELDMENT, CRANK EXT.	1	16
6	TPT00101	REAR ELECTRICAL COVER	1	16
7	TPT00106	ELECTRIC COVER	2	16
8	TPT00113	MUD FLAP	2	17
9	TPT00135*	WELDMENT, STANCHION	6	13
10	TPT00220	WELDMENT, FRONT BOLSTER	1	17
11	TPT00230	WELDMENT, CTR BOLSTER	1	17
12	TPT00237	ELECTRIC COVER	1	17
13	TPT00238	REAR CLOSE PLATE	1	18
14	TPT00304	WELDMENT - WINCH BAR HOLDER	1	18
15	TPT00305	WELDMENT, FENDER RH	1	18
16	TPT00306	WELDMENT, FENDER LH	1	18
17	TPT00310	WELDMENT, FRAME	1	22
18	TPT00314	1" DIA. STAINLESS HITCH PIN W/ TETHERED LINCH PIN	1	18
19	TPT00315	BOLT-ON PINTLE EYE	1	18
20	TPT00323	JACK CRANK	1	19

\*TPT00002 parts breakdown located on page 12

\*TPT00135 parts breakdown located on page 13

**TPT00250, LK111PT POLE TRAILER ASSEMBLY**





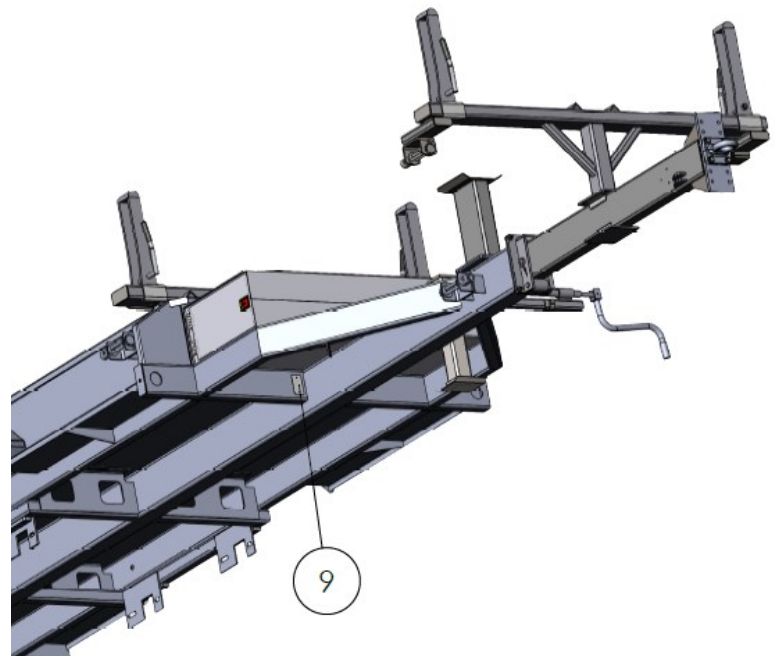
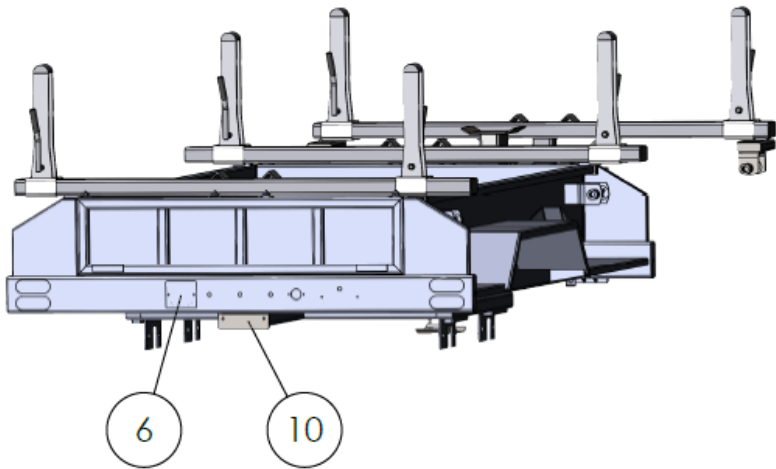
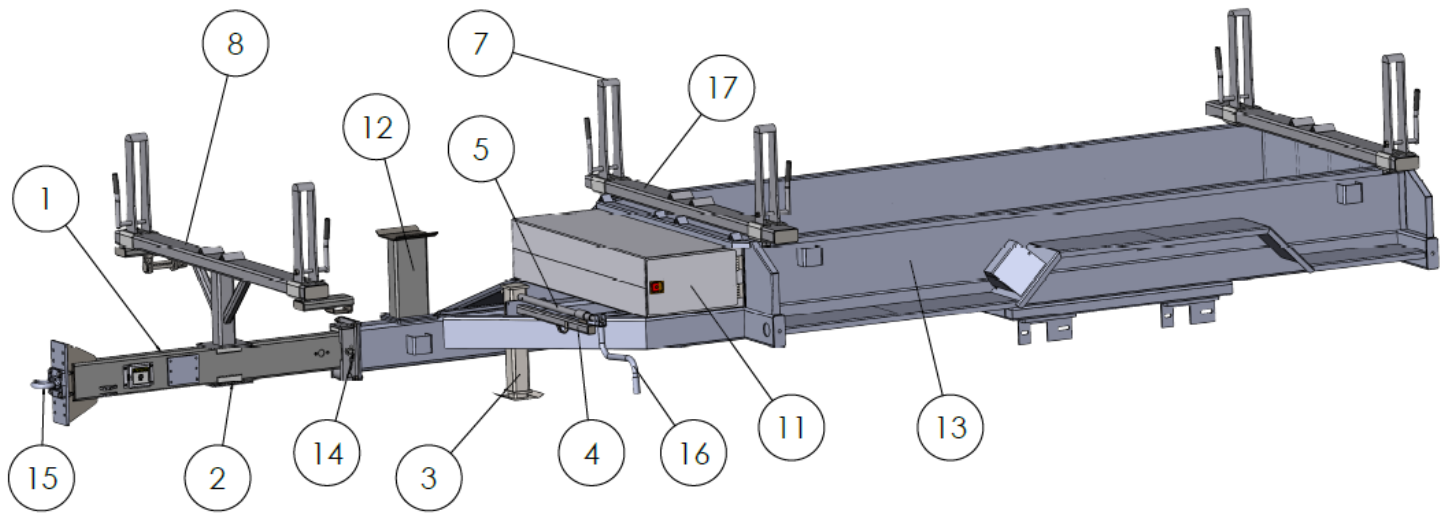
**TPT00250, LK111PT POLE TRAILER ASSEMBLY (Cont.)**

ITEM NO.	PART NUMBER	DESCRIPTION	QTY.	PAGE NO.
1	TPT00002*	SLIDE ASSEMBLY	1	12
2	TPT00045	WELDMENT, BOLSTER BOT PLT	1	15
3	TPT00055	WELDMENT, JACK	1	15
4	TPT00060	WELDMENT, JACK EXTENSION	1	16
5	TPT00065	WELDMENT, CRANK EXT.	1	16
6	TPT00101	REAR ELECTRICAL COVER	3	16
7	TPT00113	MUD FLAP	2	17
8	TPT00135*	WELDMENT, STANCHION	8	13
9	TPT00220	WELDMENT, FRONT BOLSTER	1	17
10	TPT00237	ELECTRIC COVER	1	17
11	TPT00238	REAR CLOSE PLATE	1	18
12	TPT00240	WELDMENT, FENDER LH	1	19
13	TPT00245	WELDMENT, FENDER RH	1	19
14	TPT00255	WELDMENT, FRONT BOLSTER	1	20
15	TPT00258	WELDMENT, BOLSTER BOT PLT	1	20
16	TPT00260	WELDMENT, FRAME	1	22
17	TPT00314	1" DIA. STAINLESS HITCH PIN W/ TETHERED LINCH PIN	1	18
18	TPT00315	BOLT-ON PINTLE EYE	1	18
19	TPT00323	JACK CRANK	1	19

\*TPT00002 parts breakdown located on page 12

\*TPT00135 parts breakdown located on page 13

**TPT00140, LK122PT POLE TRAILER ASSEMBLY**



**TPT00140, LK122PT POLE TRAILER ASSEMBLY (Cont.)**

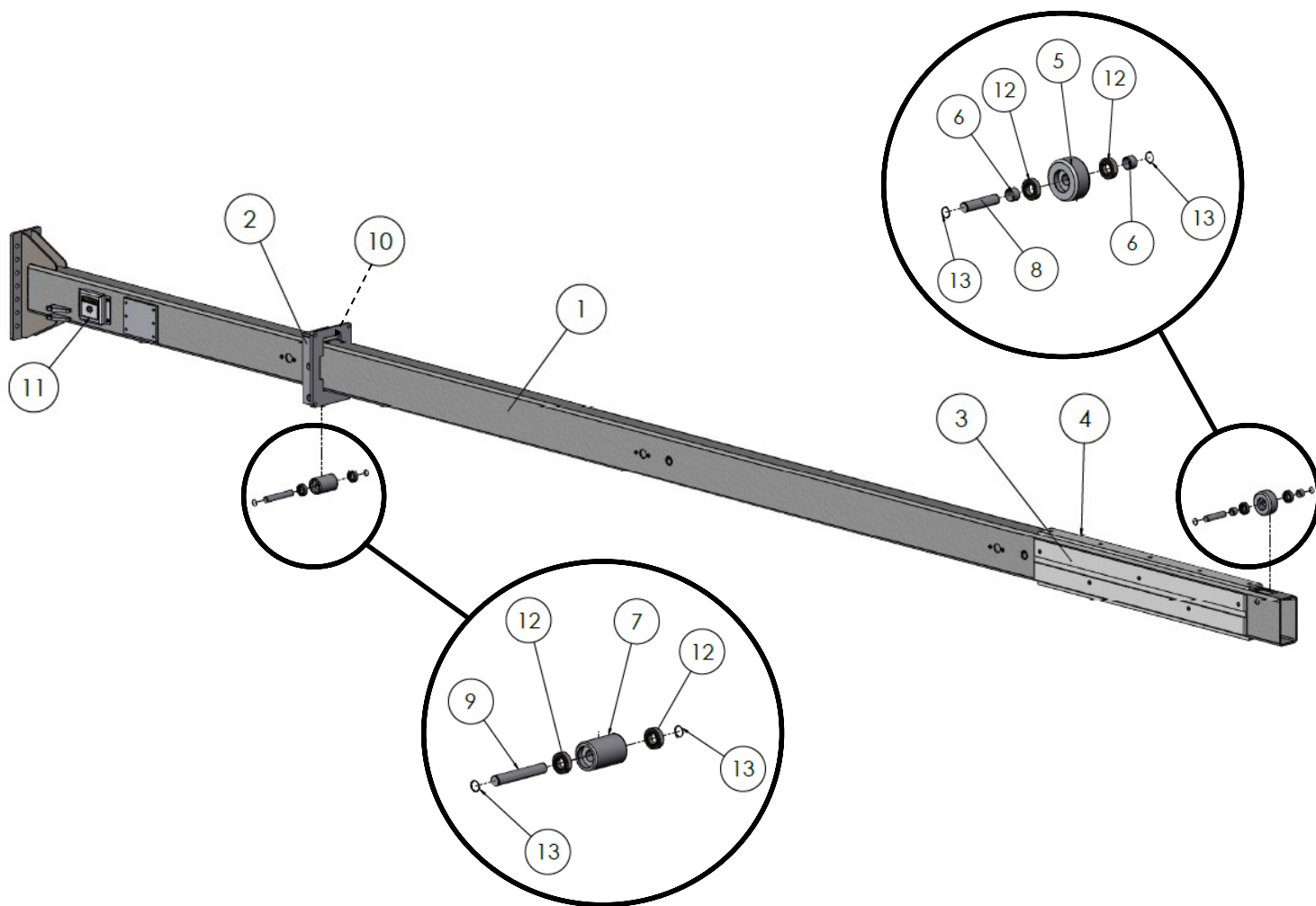
ITEM NO.	PART NUMBER	DESCRIPTION	QTY.	PAGE NO.
1	TPT00002*	SLIDE ASSEMBLY	1	12
2	TPT00045	WELDMENT, BOLSTER BOT PLT	1	15
3	TPT00055	WELDMENT, JACK	1	15
4	TPT00060	WELDMENT, JACK EXTENSION	1	16
5	TPT00065	WELDMENT, CRANK EXT.	1	16
6	TPT00101	REAR ELECTRICAL COVER	1	16
7	TPT00135*	WELDMENT, STANCHION	6	13
8	TPT00085	WELDMENT, FRONT BOLSTER	1	21
9	TPT00106	ELECTRIC COVER	2	16
10	TPT00077	REAR CLOSE PLATE	1	20
11	TPT00020*	TOOL BOX ASSEMBLY	1	21
12	TPT00090	WELDMENT, CTR BOLSTER	1	21
13	TPT00145	WELDMENT, FRAME	1	22
14	TPT00314	1" DIA. STAINLESS HITCH PIN W/ TETHERED LINCH PIN	1	18
15	TPT00315	BOLT-ON PINTLE EYE	1	18
16	TPT00323	JACK CRANK	1	19
17	TPT00080	WELDMENT, BOLSTER	2	20

\*TPT00002 parts breakdown located on page 12

\*TPT00135 parts breakdown located on page 13

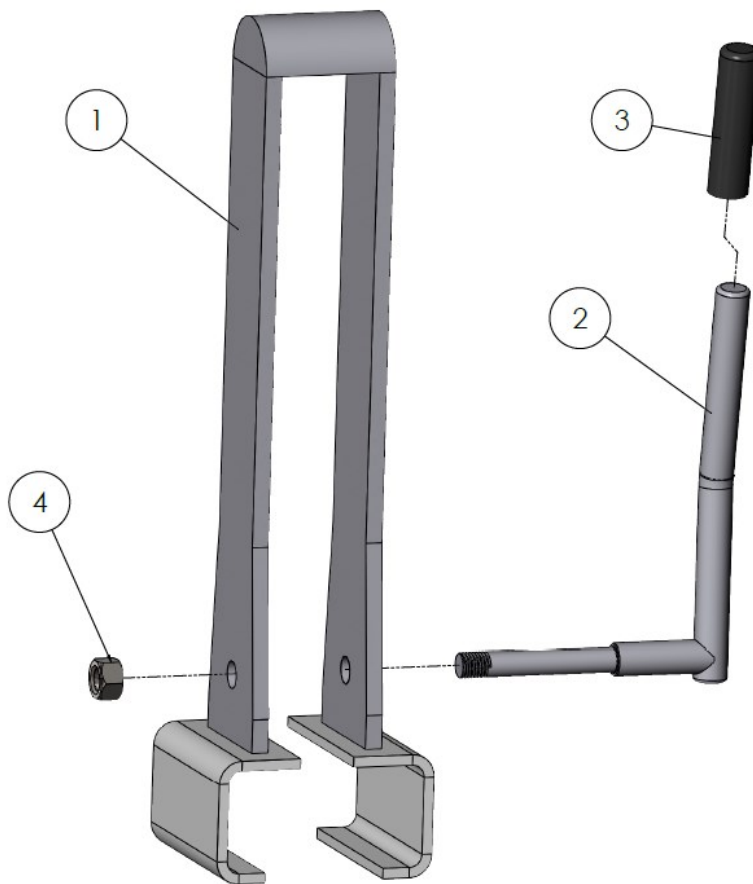
\*TPT00020 parts breakdown located on page 23

**TPT00002, SLIDE ASSEMBLY**



ITEM NO.	PARTNUMBER	DESCRIPTION	QTY.	PAGE NO.
1	TPT00015	WELDMENT, SLIDE TUBE	1	14
2	TPT00225	WELDMENT, PIN FLANGE	1	14
3	TPT00032	SIDE SLIDE	2	14
4	TPT00033	TOP SLIDE	2	14
5	TPT00041	REAR SLIDE ROLLER	1	14
6	TPT00042	REAR ROLLER SPACER	2	14
7	TPT00043	FRONT SLIDE ROLLER	1	15
8	TPT00044	REAR ROLLER SHAFT	1	15
9	TPT00046	FRONT ROLLER SHAFT	1	15
10	TPT00049	FRONT SLIDE	1	15
11	TPT00061	SUPPORT TUBE PLATE	1	16
12	TPT00319	2" OD X 1" ID SEALED ROLLER BEARING - 1.5K STATIC - 2.9K DYNAMIC CAPACITY	4	19
13	TPT00320	1" EXTERNAL RETAINING RING - YELLOW CHROMATE	4	19

**TPT00135, WELDMENT, STANCHION**



ITEM NO.	PART NUMBER	DESCRIPTION	QTY.	PAGE NO.
1	TPT00139	WELDMENT, STANCHION FRAME, UNIVERSAL	1	17
2	TPT00110	WELDMENT, HANDLE	1	16
3	MP5-1051	HAND GRIP	1	
4	MP5-0851-1207	LOCK NUT, 3/4"	1	

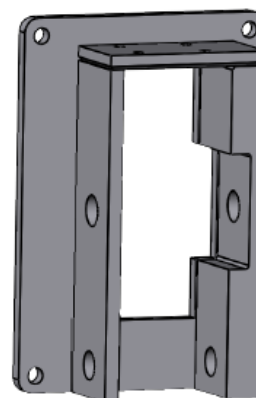
**PARTS CATALOG**

**TPT00015**



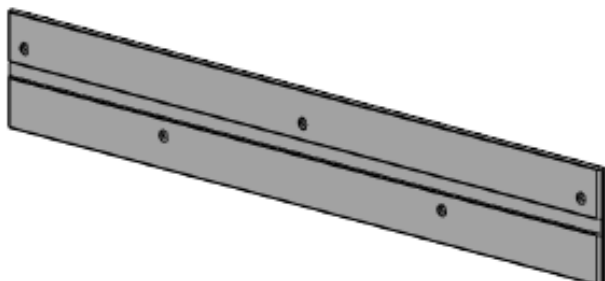
PART NO.	DESCRIPTION
TPT00015	WELDMENT, SLIDE TUBE

**TPT00225**



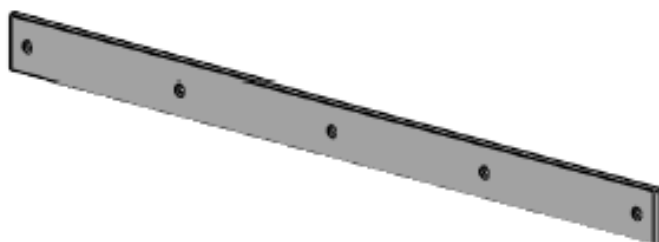
PART NO.	DESCRIPTION
TPT00225	WELDMENT, PIN FLANGE

**TPT00032**



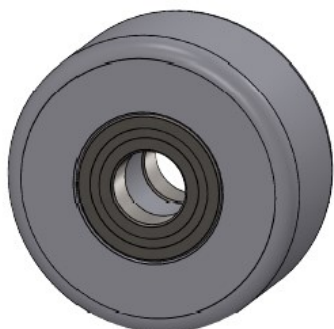
PART NO.	DESCRIPTION
TPT00032	SIDE SLIDE

**TPT00033**



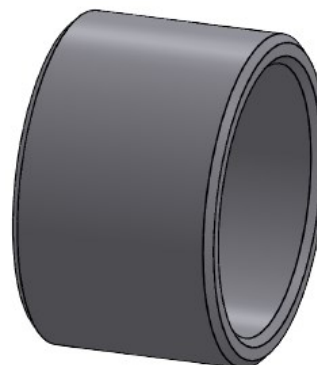
PART NO.	DESCRIPTION
TPT00033	TOP SLIDE

**TPT00041**



PART NO.	DESCRIPTION
TPT00041	REAR SLIDE ROLLER

**TPT00042**



PART NO.	DESCRIPTION
TPT00042	REAR ROLLER SPACER

**PARTS CATALOG (Cont.)**

**TPT00043**



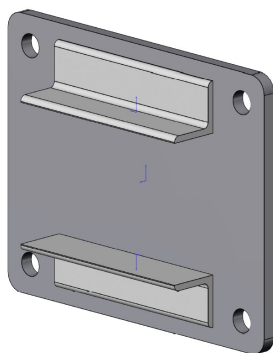
PART NO.	DESCRIPTION
TPT00043	FRONT SLIDE ROLLER

**TPT00044**



PART NO.	DESCRIPTION
TPT00044	REAR ROLLER SHAFT

**TPT00045**



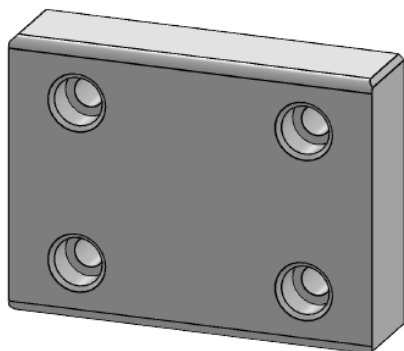
PART NO.	DESCRIPTION
TPT00045	WELDMENT, BOLSTER BOT PLT

**TPT00046**



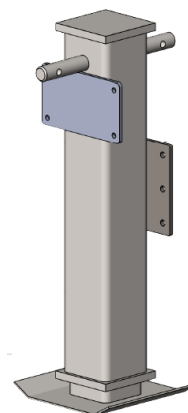
PART NO.	DESCRIPTION
TPT00046	FRONT ROLLER SHAFT

**TPT00049**



PART NO.	DESCRIPTION
TPT00049	FRONT SLIDE

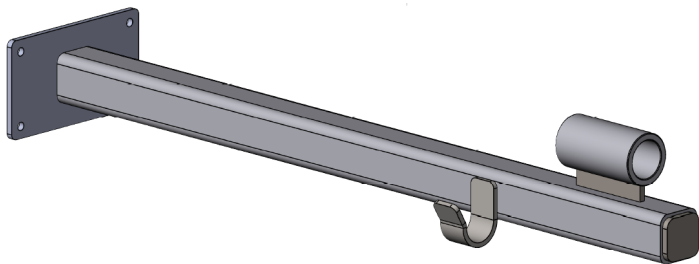
**TPT00055**



PART NO.	DESCRIPTION
TPT00055	WELDMENT, JACK

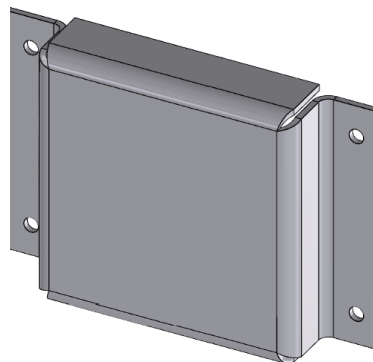
**PARTS CATALOG (Cont.)**

**TPT00060**



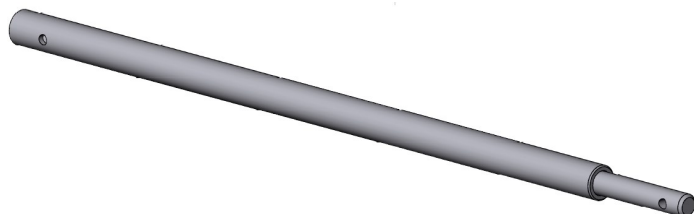
PART NO.	DESCRIPTION
TPT00060	WELDMENT, JACK EXTENSION

**TPT00061**



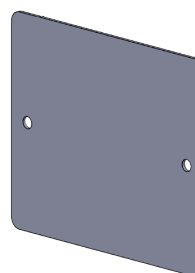
PART NO.	DESCRIPTION
TPT00061	SUPPORT TUBE PLATE

**TPT00065**



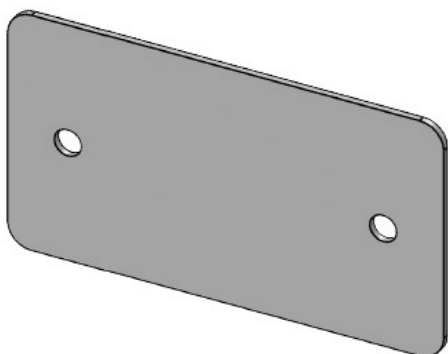
PART NO.	DESCRIPTION
TPT00065	WELDMENT, CRANK EXT.

**TPT00101**



PART NO.	DESCRIPTION
TPT00101	REAR ELECTRICAL COVER

**TPT00106**



PART NO.	DESCRIPTION
TPT00106	ELECTRIC COVER

**TPT00110**

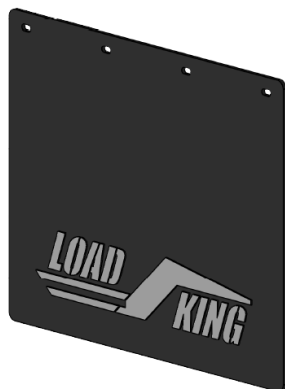


PART NO.	DESCRIPTION
TPT00110	WELDMENT, HANDLE



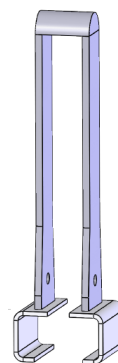
**PARTS CATALOG (Cont.)**

**TPT00113**



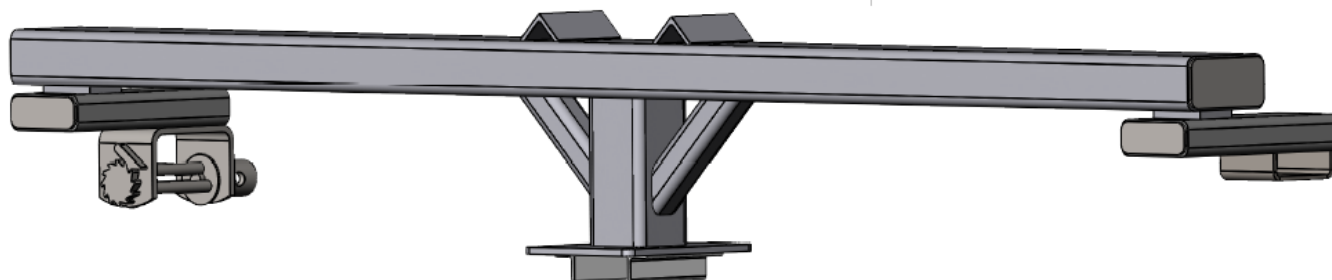
PART NO.	DESCRIPTION
TPT00113	MUD FLAP

**TPT00139**



PART NO.	DESCRIPTION
TPT00139	WELDMENT, STANCHION FRAME, UNIVERSAL

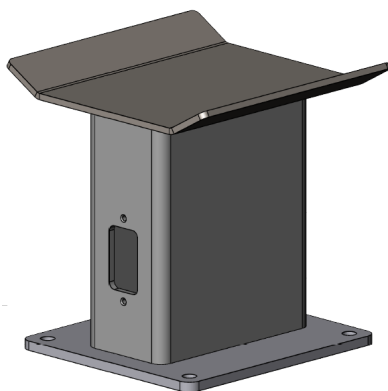
**TPT00220**



PART NO.	DESCRIPTION
TPT00220	WELDMENT, FRONT BOLSTER

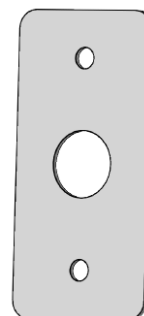
\*parts breakdown located on page 24

**TPT00230**



PART NO.	DESCRIPTION
TPT00230	WELDMENT, CTR BOLSTER

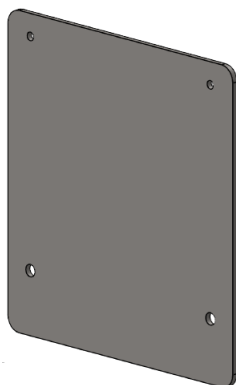
**TPT00237**



PART NO.	DESCRIPTION
TPT00237	ELECTRIC COVER

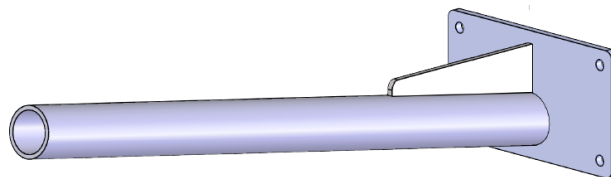
**PARTS CATALOG (Cont.)**

**TPT00238**



PART NO.	DESCRIPTION
TPT00238	REAR CLOSE PLATE

**TPT00304**



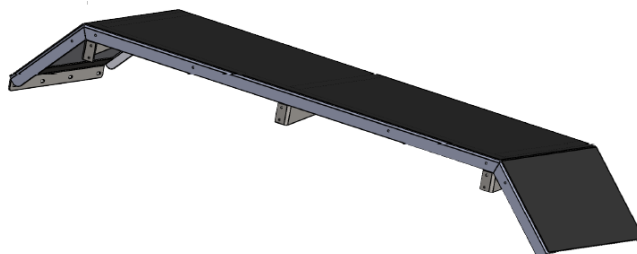
PART NO.	DESCRIPTION
TPT00304	WELDMENT - WINCH BAR HOLDER

**TPT00305**



PART NO.	DESCRIPTION
TPT00305	WELDMENT, FENDER RH

**TPT00306**



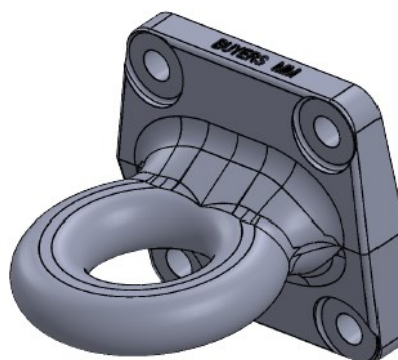
PART NO.	DESCRIPTION
TPT00306	WELDMENT, FENDER LH

**TPT00314**



PART NO.	DESCRIPTION
TPT00314	1" DIA. STAINLESS HITCH PIN W/ TETHERED LINCH PIN

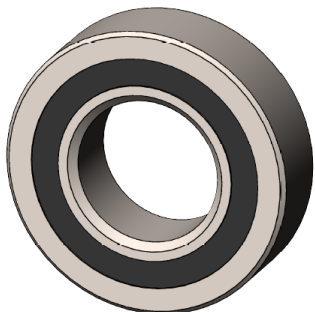
**TPT00315**



PART NO.	DESCRIPTION
TPT00315	BOLT-ON PINTLE EYE

**PARTS CATALOG (Cont.)**

**TPT00319**



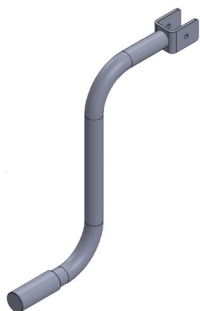
PART NO.	DESCRIPTION
TPT00319	2" OD X 1" ID SEALED ROLLER BEARING - 1.5K STATIC - 2.9K DYNAMIC CAPACITY

**TPT00320**



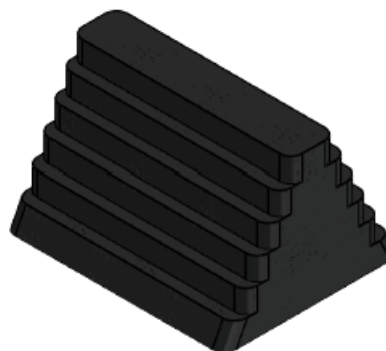
PART NO.	DESCRIPTION
TPT00320	1" EXTERNAL RETAINING RING - YELLOW CHROMATE

**TPT00323**



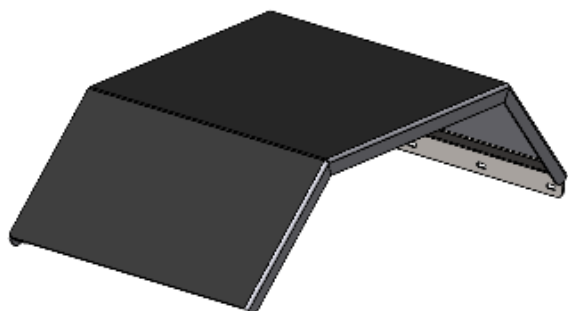
PART NO.	DESCRIPTION
TPT00323	JACK CRANK

**SLR00088**



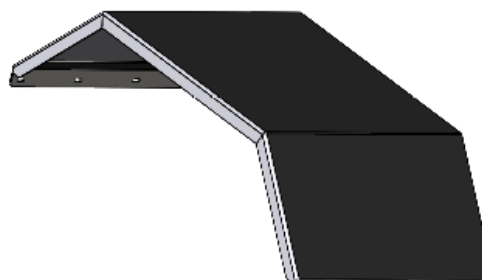
PART NO.	DESCRIPTION
SLR00088	CHOCK

**TPT00240**



PART NO.	DESCRIPTION
TPT00240	WELDMENT, FENDER LH

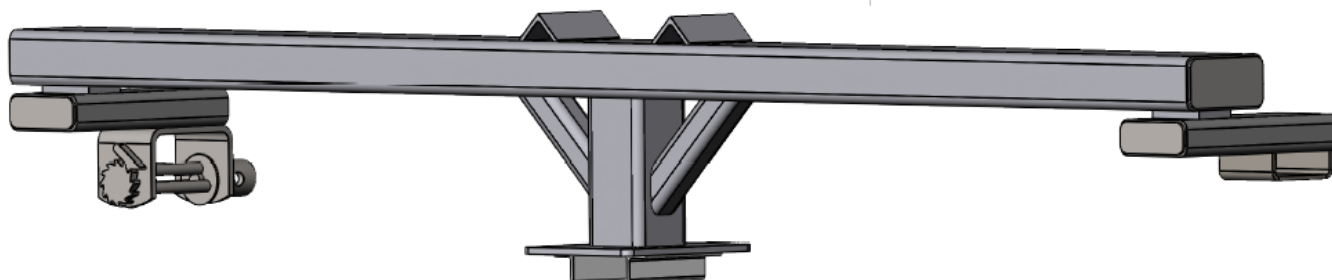
**TPT00245**



PART NO.	DESCRIPTION
TPT00245	WELDMENT, FENDER RH

**PARTS CATALOG (Cont.)**

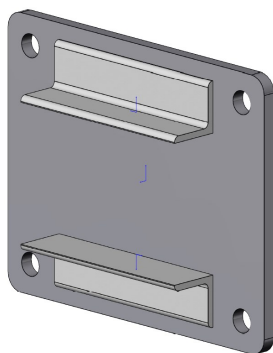
**TPT00255**



PART NO.	DESCRIPTION
TPT00255	WELDMENT, FRONT BOLSTER

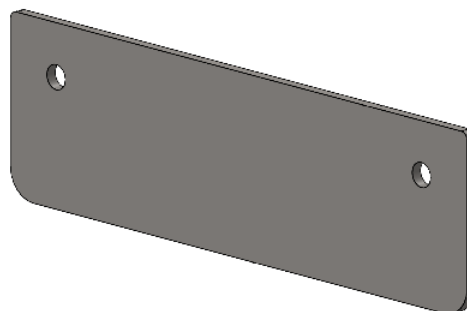
\*parts breakdown located on page 24

**TPT00258**



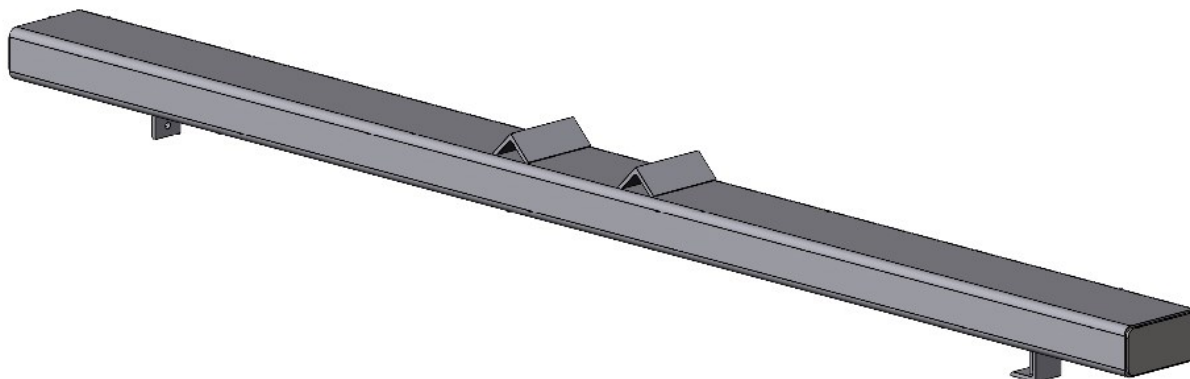
PART NO.	DESCRIPTION
TPT00258	WELDMENT, BOLSTER BOT PLT

**TPT00077**



PART NO.	DESCRIPTION
TPT00077	REAR CLOSE PLATE

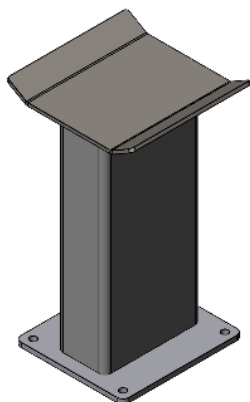
**TPT00080**



PART NO.	DESCRIPTION
TPT00255	WELDMENT, BOLSTER

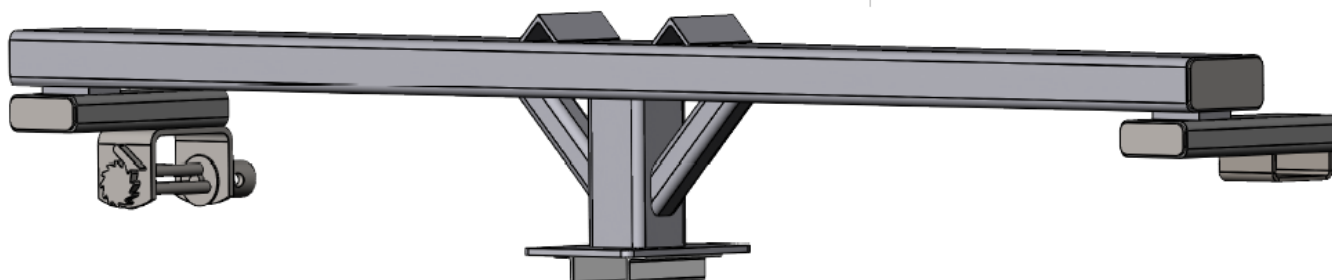
**PARTS CATALOG (Cont.)**

**TPT00090**



PART NO.	DESCRIPTION
TPT00090	WELDMENT, CTR BOLSTER

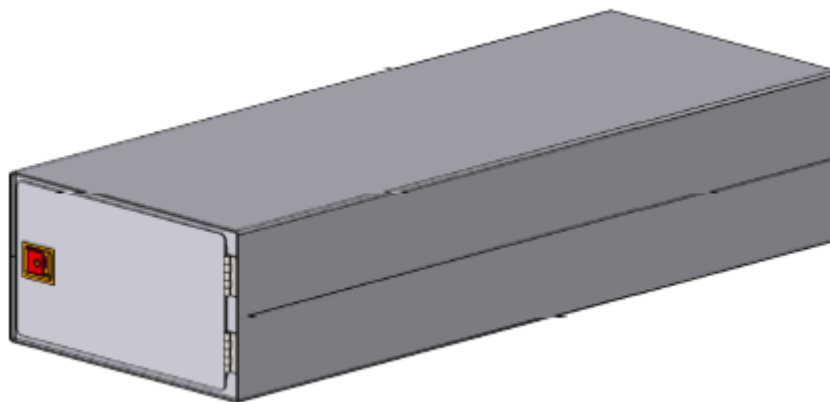
**TPT00085**



PART NO.	DESCRIPTION
TPT00085	WELDMENT, FRONT BOLSTER

\*parts breakdown located on page 24

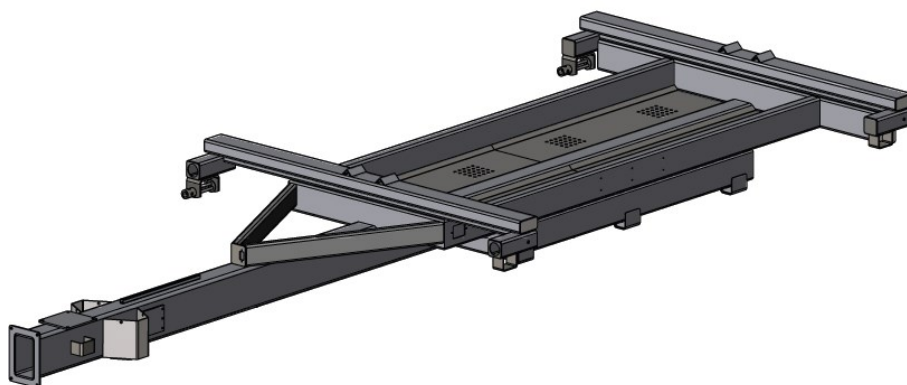
**TPT00020**



PART NO.	DESCRIPTION
TPT00020	TOOL BOX ASSEMBLY

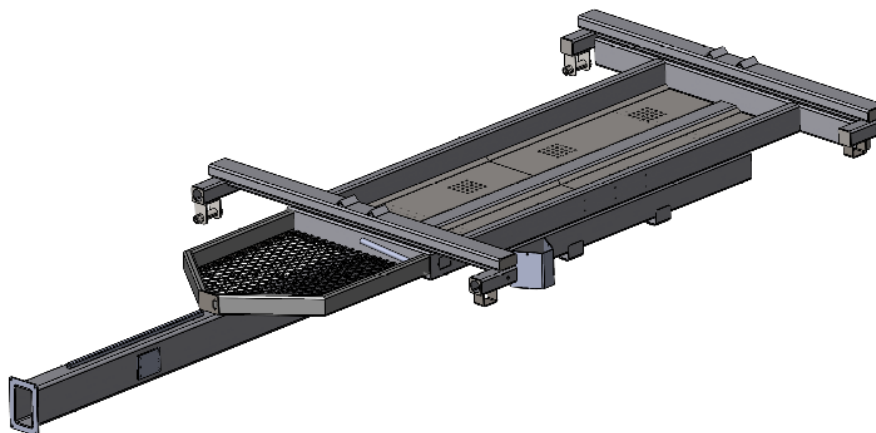
**PARTS CATALOG (Cont.)**

**TPT00310**



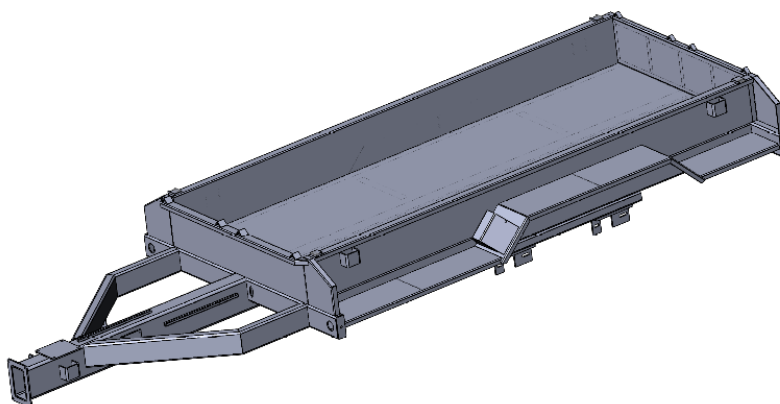
PART NO.	DESCRIPTION
TPT00310	WELDMENT, FRAME

**TPT00260**



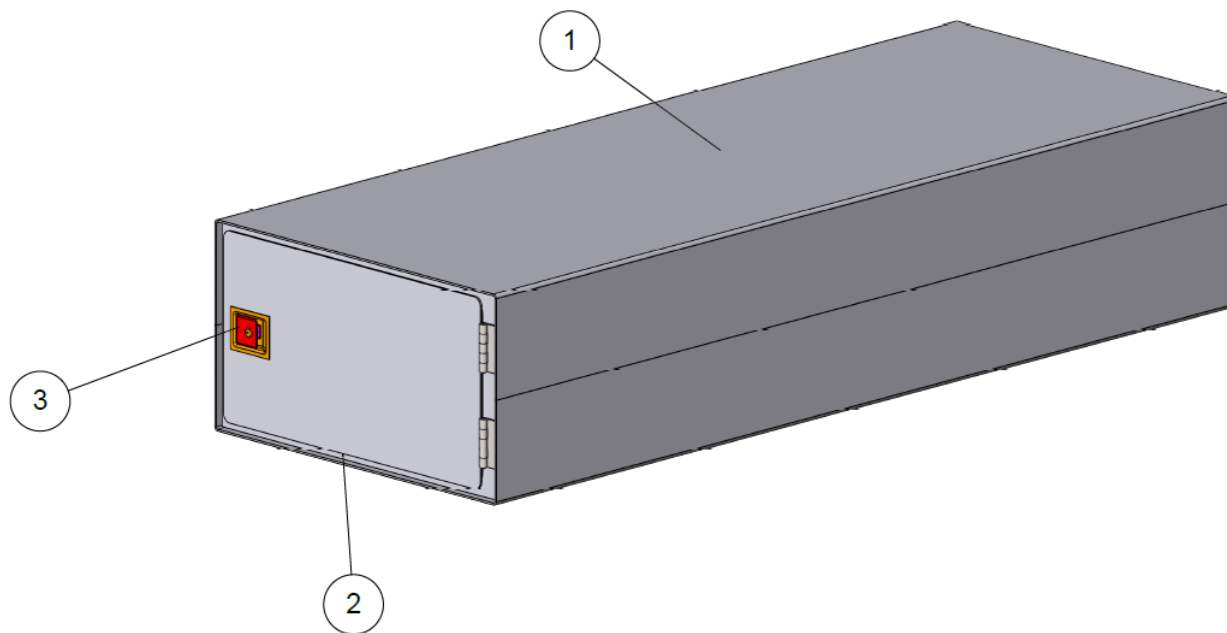
PART NO.	DESCRIPTION
TPT00260	WELDMENT, FRAME

**TPT00145**



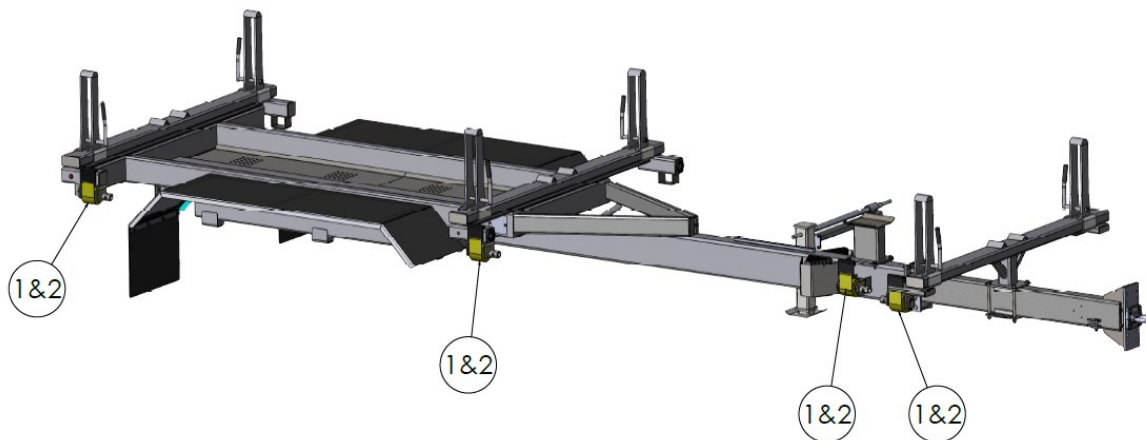
PART NO.	DESCRIPTION
TPT00145	WELDMENT, FRAME

**TPT00020, TOOL BOX ASSEMBLY**



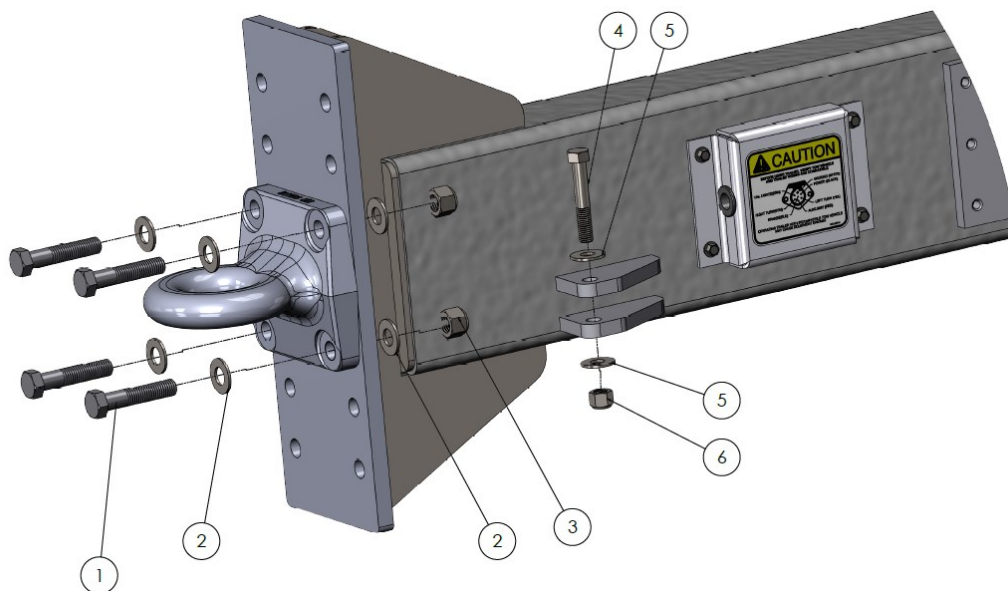
ITEM NO.	PART NUMBER	DESCRIPTION	QTY.
1	TPT00030	WELDMENT, TOOL BOX	1
2	TPT00048	DOOR SEAL	2
3	MP5-5799	TOOL BOX LATCH	2

**HARDWARE**



ITEM NO.	PART NUMBER	DESCRIPTION	QTY.
1	MP5-4752	LOW PROFILE, 3-BAR CARGO WINCH	4
2	MP5-4583	4" WIDE X 27'-0" FLAT HOOK RATCHET STRAP	4

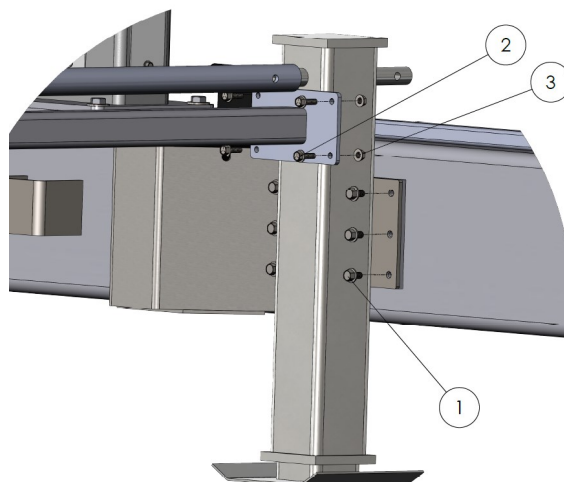
\*Later models have MP5-1394 higher capacity slot ratchet



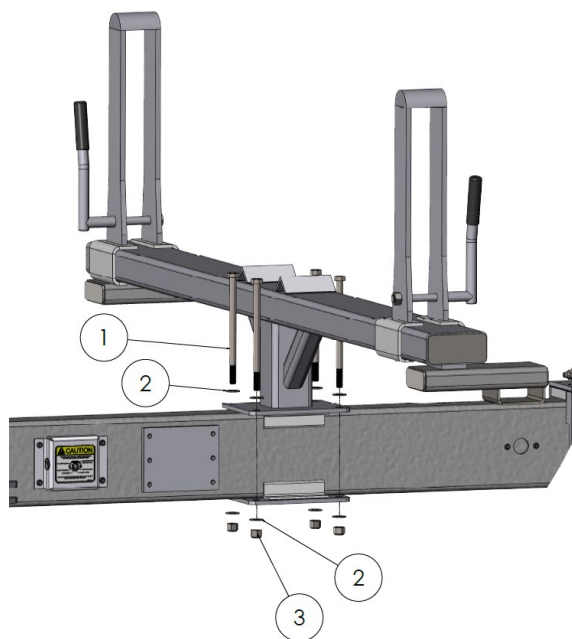
ITEM NO.	PART NUMBER	DESCRIPTION	QTY.
1	MP5-0096-168	HEX BOLT, 5/8 UNC X 3 LG	4
2	MP5-2567-20.5	WASHER, 5/8" FLAT, HARDENED, CZ	8
3	MP5-5771-1007	NYLON LOCK NUT - 5/8"-11 UNC - GRADE 8	4
4	MP5-0096-119	HEX HEAD BOLT, 1/2-13UNC x 3" LG.	2
5	MP5-2567-17	GRADE 8 FLAT WASHER - 1/2"	4
6	MP5-5771-807	GRADE 8 NYLOCK - 1/2"-11 UNC - YELLOW ZINC	2



**HARDWARE (Cont.)**

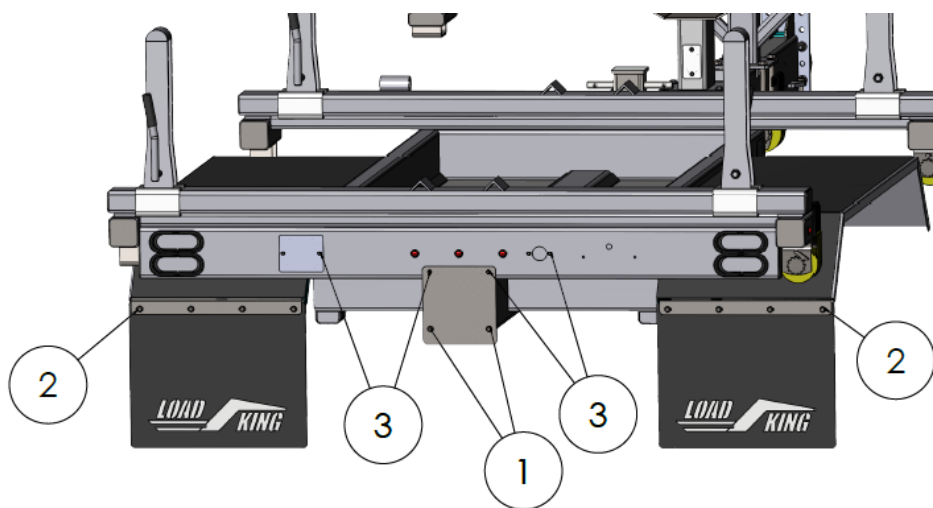


ITEM NO.	PART NUMBER	DESCRIPTION	QTY.
1	MP5-4897	FLANGE HEAD CAP SCREW - 3/8-16 UNC X 5/8" - GRADE 5 PLATED	6
2	MP5-5796	BOLT - 5/16"-18 UNC X 1" SERRATED FLANGE - GRD 5 PLATED	4
3	MP5-5795	NUT - 5/16" -18 UNC FLANGE - GRD 5 PLATED	4

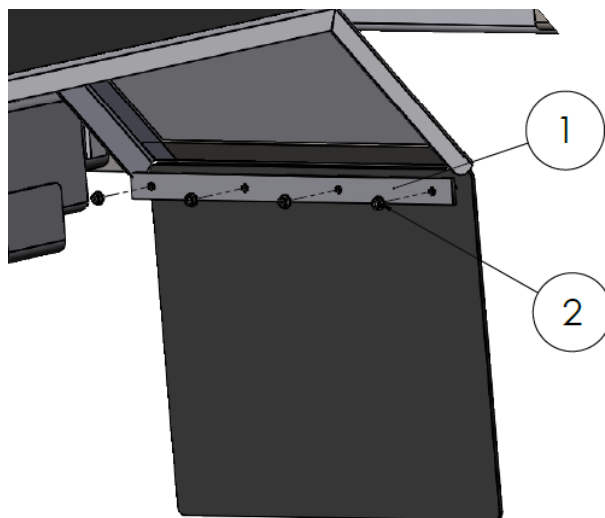


ITEM NO.	PART NUMBER	DESCRIPTION	QTY.
1	MP5-0096-460	HEX BOLT - 5/8"-11 UNC X 10" - GRADE 8 - YELLOW ZINC	4
2	MP5-2567-20.5	WASHER, 5/8" FLAT, HARDENED, CZ	8
3	MP5-5771-1007	NYLON LOCK NUT - 5/8"-11 UNC - GRADE 8	4

**HARDWARE (Cont.)**

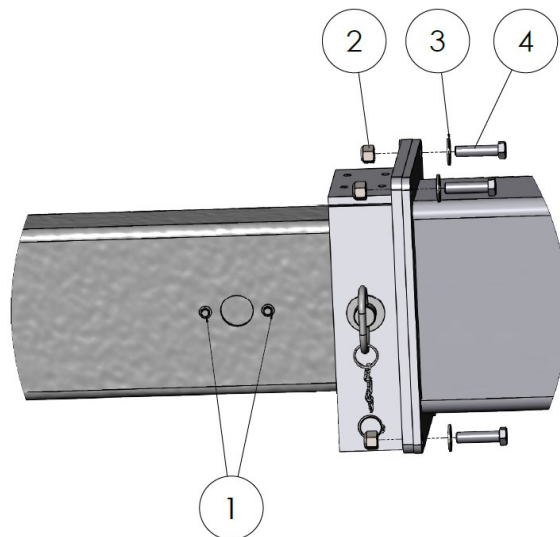


ITEM NO.	PART NUMBER	DESCRIPTION	QTY.
1	MP5-4897	FLANGE HEAD CAP SCREW - 3/8-16 UNC X 5/8" - GRADE 5 PLATED	2
2	MP5-4850	BOLT - 3/8-16 UNC X 1-1/2" SERRATED FLANGE HEAD - STAINLESS STEEL	8
3	MP5-5257	1/4-20 UNC X 1" SERRATED FLANGE HEAD CAP SCREW - 18-8 STAINLESS	6

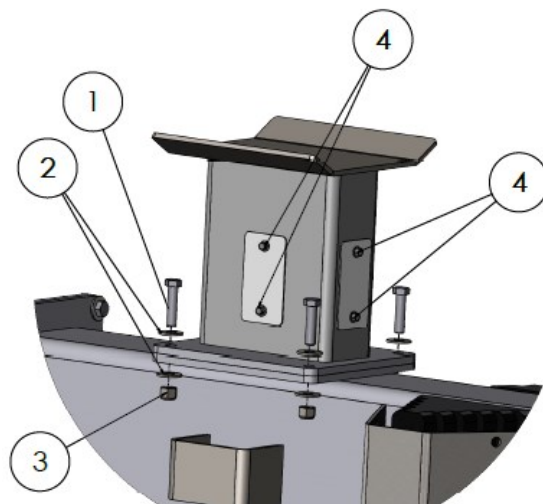


ITEM NO.	PART NUMBER	DESCRIPTION	QTY.
1	BB0-0080	Retainer Bar	2
2	MP5-4633	NUT - 3/8-16 UNC SERRATED FLANGE STAINLESS STEEL	8

**HARDWARE (Cont.)**

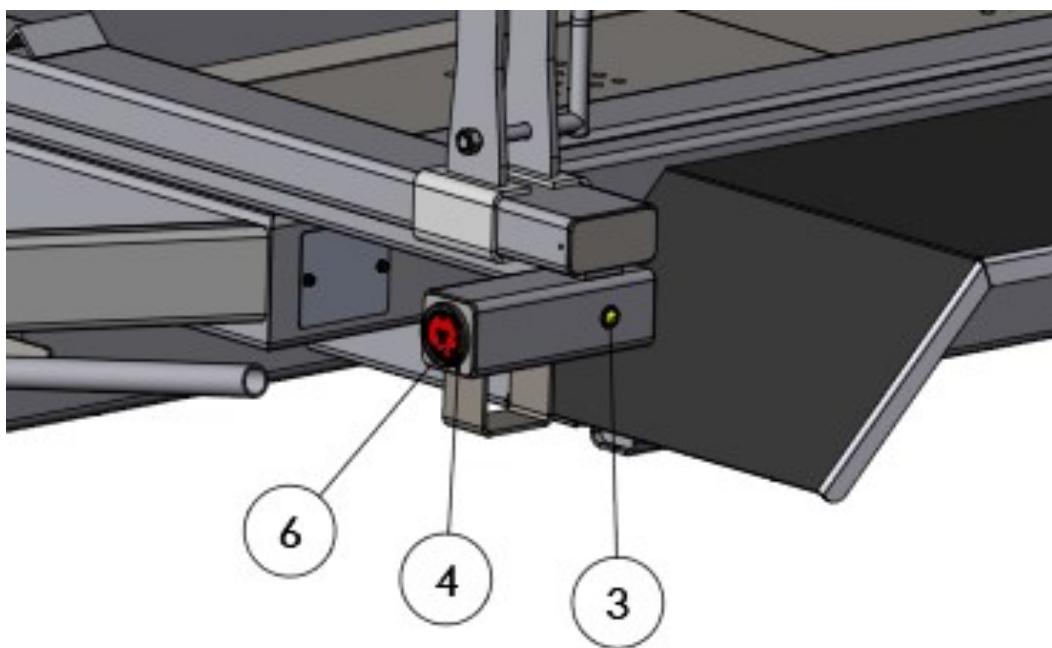
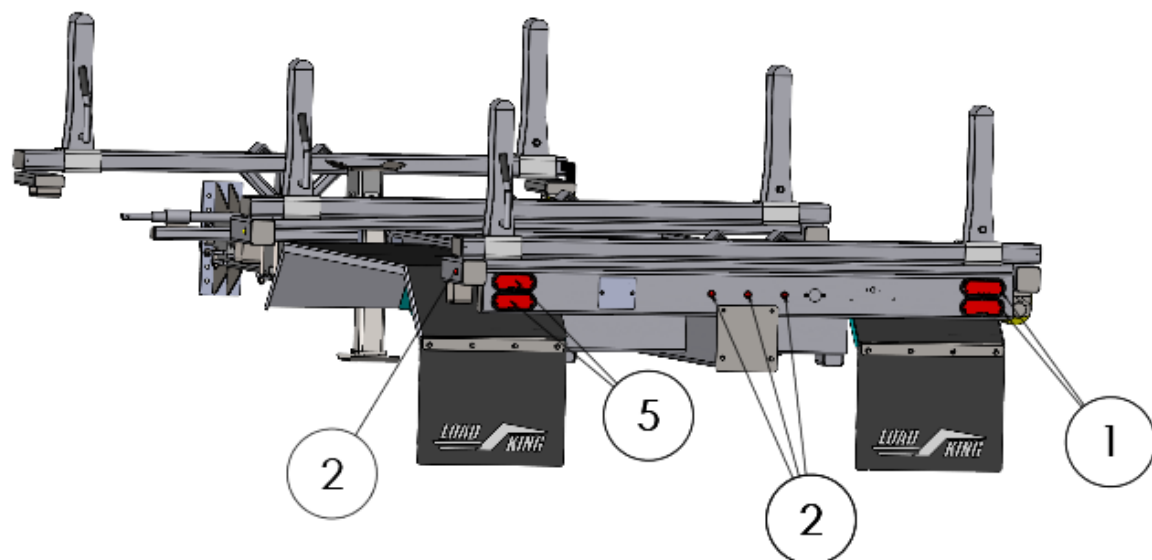


ITEM NO.	PART NUMBER	DESCRIPTION	QTY.
1	MP5-5257	1/4-20 UNC X 1" SERRATED FLANGE HEAD CAP SCREW - 18-8 STAINLESS	2
2	MP5-5771-807	GRADE 8 NYLOCK - 1/2"-11 UNC - YELLOW ZINC	4
3	MP5-2567-17	GRADE 8 FLAT WASHER - 1/2"	4
4	MP5-0096-115	HEX HEAD BOLT, 1/2-13 UNC X 2 LG	4



ITEM NO.	PART NUMBER	DESCRIPTION	QTY.
1	MP5-0096-115	HEX HEAD BOLT, 1/2-13 UNC X 2 LG	4
2	MP5-2567-17	GRADE 8 FLAT WASHER - 1/2"	8
3	MP5-5771-807	GRADE 8 NYLOCK - 1/2"-11 UNC - YELLOW ZINC	4
4	MP5-5257	1/4-20 UNC X 1" SERRATED FLANGE HEAD CAP SCREW - 18-8 STAINLESS	4

**LIGHTS**



ITEM NO.	PART NUMBER	DESCRIPTION	QTY.
1	JP001004	6" OVAL GROMMET	4
2	MP5-5669	SINGLE DIODE, DUAL INTENSITY SIDE / CLEARANCE - RED - .180 BULLETS	5
3	MP5-5670	SINGLE DIODE, DUAL INTENSITY SIDE / CLEARANCE - AMBER - .180 BULLETS	2
4	JP000752	GROMMET FOR 2 1/2" LIGHTS	2
5	MP5-5797	6" OVAL S/T/T—LED HARDSHELL	4
6	MP5-5725	2-1/2" RED MARKER LIGHT - HARDSHELL	2

---

**TIRES AND WHEELS**

---

**LK112PT**

PART NUMBER	DESCRIPTION
TRG0082001SM	235/75R17.5 TIRE W/STEEL WHEEL


**LK111PT**

PART NUMBER	DESCRIPTION
TRD0082001SM	235/75R17.5H DURA TURN DT23 ON 10 STUD X 8.75 BC WHEEL

**LK122PT**

PART NUMBER	DESCRIPTION
TRG0082001SM	235/75R17.5 TIRE W/STEEL WHEEL

**LOAD KING POLE TRAILER LABELS**

<b>⚠ DANGER</b>	<b>⚠ CAUTION</b>	BEFORE TOWING THIS TRAILER CHECK THAT:	<b>⚠ WARNING</b>
SERIOUS INJURY AND/OR PROPERTY DAMAGE CAN RESULT IF THIS VEHICLE IS TOWED BEFORE FAMILIARIZING YOURSELF WITH THE MANUFACTURER'S OPERATING INSTRUCTIONS AND CAUTIONS LISTED TO THE RIGHT.	 *COUPLER HITCH AND TRAILER BALL ARE THE SAME SIZE. *COUPLER IS LATCHED.  *SAFETY CHAINS ARE CRISSCROSSED UNDER TONGUE AND ATTACHED TO TOWING VEHICLE. *ALL TRAILER LIGHTING IS WORKING CORRECTLY. *LOAD IS SECURED TO TRAILER FRONT AND REAR. *TONGUE JACK ( IF TRAILER IS EQUIPPED ) IS RETRACTED. *TILT PIN IS LATCHED. *WHEEL LUG BOLTS ARE PROPERLY TIGHTENED.  *TIRES ARE INFLATED TO PRESSURE INDICATED ON TIRE. *TRAILER BRAKES ( IF TRAILER IS EQUIPPED ) ARE PROPERLY ADJUSTED AND BREAK-AWAY DEVICE IS ATTACHED TO TOWING VEHICLE. *LOAD IS WITHIN TRAILER CAPACITY AND DISTRIBUTED PROPERLY TO MAINTAIN PROPER TONGUE WEIGHT.		YOU ARE REQUIRED TO COMPLY WITH LOCAL AND STATE REQUIREMENTS REGARDING BRAKES, LICENSING AND ANY ADDITIONAL EQUIPMENT THAT MAY BE NECESSARY. CONTACT YOUR STATE MOTOR VEHICLE DEPARTMENT FOR MORE INFORMATION. DCL00702

1

**⚠ WARNING**

**Check following points each time before towing trailer.**

- ✓ Make sure all parts, bolts and nuts are tight.
- ✓ Secure load to trailer- check tilt and the down mechanisms- use extra rope as a safety measure.
- ✓ Check tire air pressure when tire is cold.
- ✓ Repack wheel bearings once a year, preferably in the Fall before storing trailer.
- ✓ Make sure you are not exceeding trailer capacity.
- ✓ Make sure the coupler is securely latched to the hitch ball.
- ✓ Check each time you stop and leave trailer.
- ✓ Cross safety chains under tongue and secure to towing vehicle.
- ✓ If equipped, hook up break-away brake chain with slack to permit cornering.
- ✓ Make sure the trailer electrical connector is properly connected and all lights are operating.
- ✓ Check brake operation.
- ✓ Make sure the jack is raised to its highest position.
- ✓ Make sure all gates and latches are secured.

DCL00703

2

**GROUNDING**

**LUG**

↓

DCL00707

3

**⚠ WARNING**

**Uncoupling will cause trailer to come loose from tow vehicle.**

1. CHECK that pintle LOAD RATING is same or greater than ring LOAD RATING.
2. LOCK the clamp in place using a pin or lock.



Open clamp

Pin removed



Pin in place

Closed clamp

DCL00710

4

**⚠ WARNING**

Tire, wheel or lugnut failure can cause loss of control. Before towing, you must CHECK:

1. Tire pressure and tread.
2. Tires and wheels for damage.
3. Lug nuts for tightness.

for new and remounted wheels, re-tighten lug nuts at the first 10, 25 and 50 miles of driving.

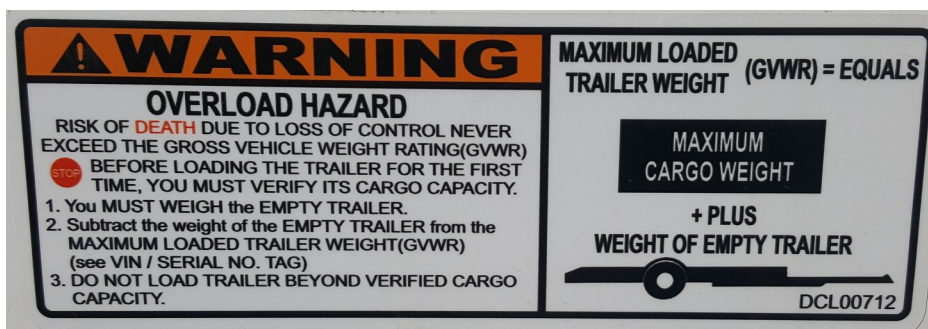


Lug Nuts TIGHT?

Tires and Wheels OK? DCL00711

5

**LOAD KING POLE TRAILER LABELS (Cont.)**



6



7



8

ITEM NO.	PART NUMBER	DESCRIPTION	QTY.
1	DCL00702	DECAL - DANGER/CAUTION/DANGER	1
2	DCL00703	DECAL - WARNING/INSPECT	1
3	DCL00707	DECAL - GROUNDING LUG	1
4	DCL00710	DECAL - WARNING COUPLER	1
5	DCL00711	DECAL - WARNING - LUG NUTS	1
6	DCL00712	DECAL - WARNING OVERLOAD HAZARD	1
7	DCL00720-B	DECAL - CTOS LOAD KING - 2" X 7" BLACK LETTERS	2
8	DCL00721-B	DECAL - CTOS LOAD KING - 3" X 9" BLACK	2

## LOAD KING WARRANTY

*Load King (herein after referred to as the COMPANY) warrants all products manufactured by it and purchased by you to be free from defects in material and manufacture at the time of shipment, for one (1) year from date of delivery. The COMPANY will furnish replacements for such parts as the COMPANY finds to have been defective at the time of delivery or, at the COMPANY's option, will make or authorize repairs to such parts, provided that, upon request, such parts are returned, transportation is prepaid to the factory from which they were shipped.*

*This warranty shall not apply to any Product which has been subjected to misuse, misapplication, overloading, neglect (including but not limited to use of unauthorized parts or attachments), adjustments or repair. Engines, motor, tires, wheels, suspensions, axles, etc. and any accessories furnished with or used in the COMPANY's products, but which are not manufactured by the COMPANY, are not warranted by the COMPANY but are sold only with the express warranty, if any, or the manufacturers thereof. This warranted is limited to the first purchaser/user and is not transferable.*

**THE FOREGOING IS IN LIEU OF ALL OTHER WARRANTIES, WHETHER EXPRESSED OR IMPLIED (INCLUDING, WITHOUT LIMITATIONS, OF MERCHANTABILITY AND FITNESS OF ANY PRODUCT FOR A PARTICULAR PURPOSE), AND OF ANY OTHER OBLIGATION OR LIABILITY ON THE PART OF THE COMPANY. THERE ARE NO WARRANTIES WHICH EXTEND BEYOND THE DESCRIPTION OF THE FACE THEREOF.**

## LIMITATION OF LIABILITY

It is expressly understood and agreed by you that the COMPANY's liability for its products, whether due to breach of warranty, or otherwise is limited to the furnishing of such replacement parts, F.O.B. factory, and the COMPANY will not be liable for any other injury, loss, damage, or expense, whether direct or consequential, including but not limited to loss of use, income, profit, or production, injury to person or increase in cost of operation, spoilage of or damage to material, arising out of or in connection with the sale, installation, use or inability to use, or the repair or replacement of the COMPANY's products. All used vehicles and/or bodies are sold in the "AS IS" condition and no expressed or implied warranty is made.

All of COMPANY'S Products are of high quality and are manufactured in conformity with the best commercial practices in the various lines. The COMPANY guarantees all Products manufactured by it to be free from defects in material and manufactured at the time of shipment, for one (1) year from date of delivery. In addition, the COMPANY guarantees the portion of the product to be considered structural for one (1) year from date of manufacture.

While Load King, LLC. designs and manufactures its specific equipment configurations to industry standards, it is ultimate responsibility of the buyer/operator to assure that all loads are properly loaded and distributed. All loads must comply with the applicable state and federal load limits.



# LOAD KING WARRANTY DATA RECORD

Pole Trailer Warranty Form Submission			Date	
Date of Delivery				
Model Number				
S/N				
Dealer				
Address				
Customer				
Address				

Record this information at the time that warranty registration form is completed and returned to Load King

## REVISION CONTENT

REVISION	DATE	DESCRIPTION	LOCATION
A	1/4/18	INITIAL RELEASE	



Revisions to parts manual will be updated on the load king website, continue to check <https://loadkingtrailers.com/> for the latest version.



Load King

PO Box 427

Elk Point, South Dakota, USA 57025-0427

Toll Free: (888) 264-5522