

Aluminium Tank Semitrailers





Pan-European competency.

For 150 years, Schwarz Müller has been making commercial vehicles for specific demands. Our customers benefit from this experience by the value added to their purchases.

Schwarz Müller Group is a family-owned enterprise based in Austria yet active internationally. Considered one of today's leading European commercial vehicle suppliers the Group centres its currently 21 sites in Central and Eastern Europe.

Schwarz Müller provides not only a broad range of vehicles but also optimised solutions for almost any industry. More than once, the premium manufacturer and innovation leader has set the pace regarding payload and handling and is thus decidedly adding value to everyday applications.

Another factor that has been speaking in Schwarz Müller's favour for decades is the Group's extensive service offering covering the entire product lifecycle: Significantly extends for vehicle's useful life. Services include everything from maintenance and OEM spare parts availability to rentals and leasing.

Schwarz Müller Group produces at four sites: Special-purpose vehicles are made at its Upper Austrian headquarters. Standard and near-stand-

ard vehicles are made in the Czech Republic and Hungary, whereas skip container vehicles are made in Neustadt/Dosse. Our annual production output amounts to about 11,000 vehicles. Over 350 service centres located along the major European transport routes ensure that your vehicles will remain available for everyday use.

Since 1871, Schwarz Müller has been working to win and retain industrial innovation and technology leadership based on the competency and know-how of its employees. Lightweight design and its benchmarks set by Schwarz Müller for over 25 years is but one example.

Other areas include construction, metal structures or welding where Schwarz Müller periodically kicks off new developments or often is the first supplier using new vehicle manufacturing technologies. This is how turn innovation into mass production. Thus, if you are looking for smart vehicle solutions, special requirements or top quality, try Schwarz Müller to find an ideal partner.

Smart visionary vehicles.

A Schwarz Müller vehicle must successfully face various challenges. This is why construction makes the first difference.

Compared to towing vehicles, the role of commercial trailers will further gain in importance because, owing to current traffic densities as well as infrastructural and legal constraints, the number of towing vehicles will grow but slowly. The performance of both trailers and bodies therefore needs to increase. Schwarz Müller is driving this development with smart designs: Bodies and trailers provide many improvement options from payloads, longer useful lives and simplified handling to cost reductions.

A competent and innovative team of over 2,150 development, design and manufacturing personnel share Schwarz Müller's vision and turn it into smart vehicle. Latest innovations such as the POWER LINE semitrailer, the first walking floor weighing less than seven tons or the thermo-tipper trailer for transporting temperature-controlled asphalt are impressive examples of this spirit of innovation.

And quality is not an accidental feature of Schwarz Müller either: 3D design down to the

smallest detail and highly efficient quality assurance methods ensure that the vehicles are powerful performers in everyday practice.

A typical characteristic of Schwarz Müller is the specialised handling of steel and aluminium in production. It is one of fundamentals of the premium quality that Schwarz Müller vehicles are distinguished by.

The vehicles of the two Schwarz Müller and Hüf-fermann brands roll out to the construction sec-

tor, infrastructure companies, raw materials and reusables industries and short-distance & long haul forwarders. The enterprise is the only full-range supplier at premium level to make eight groups including a total of 150 different types of vehicles. Our more than 1,000 model variants satisfy almost any specific wish a customer may have. All of these vehicles share top-level quality, sturdiness, toughness and an optimised payload.



Customised by Means of Intelligent Design.

Schwarz Müller combines low weight with robust stability and superior functionality in its mineral oil tank vehicles.

Mineral oil tank vehicles from Schwarz Müller have to meet the highest standards, as much in the supply of filling stations and distribution haulage as on the air field. Premium manufacturer Schwarz Müller has broad expertise when it comes to sophisticated tank vehicles, setting standards in design, production and assembly. The double conical-shape design favoured by Schwarz Müller provides very specific advantages in daily use. This,

combined with Schwarz Müller's lightweight construction, equals an intelligent, light tank vehicle with extended service life.

Each vehicle corresponds specifically to individual customer requirements. The equipment is just as custom, and we mean that literally: Schwarz Müller equips its tank vehicles exactly to customer specifications - even if that means deviating from the current option list.



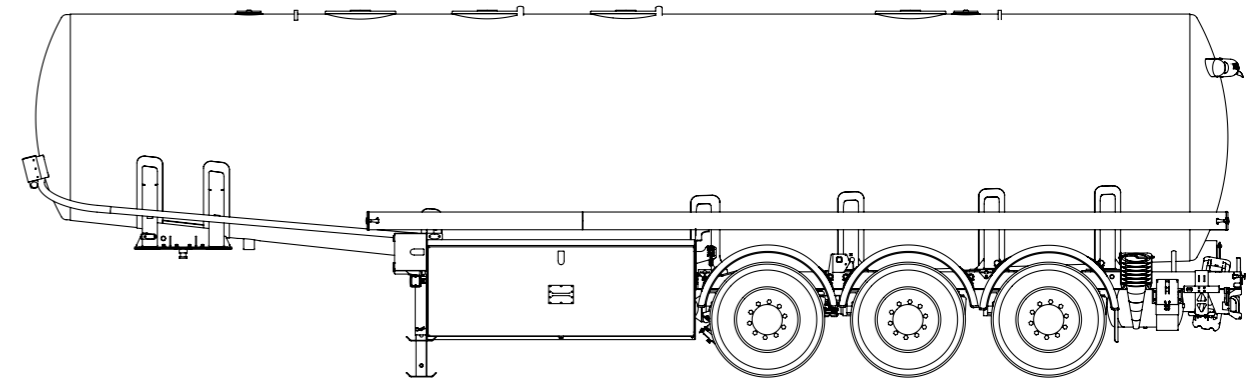
The Iconic Double-Conical.

Aluminium tank semitrailers from Schwarzmüller are recognisable by their double-conical shape. The two conical cylinders form a natural inclination which allows unloading to proceed faster and left-over quantities to be avoided. Tanks without any remaining quantities can be loaded up again immediately.

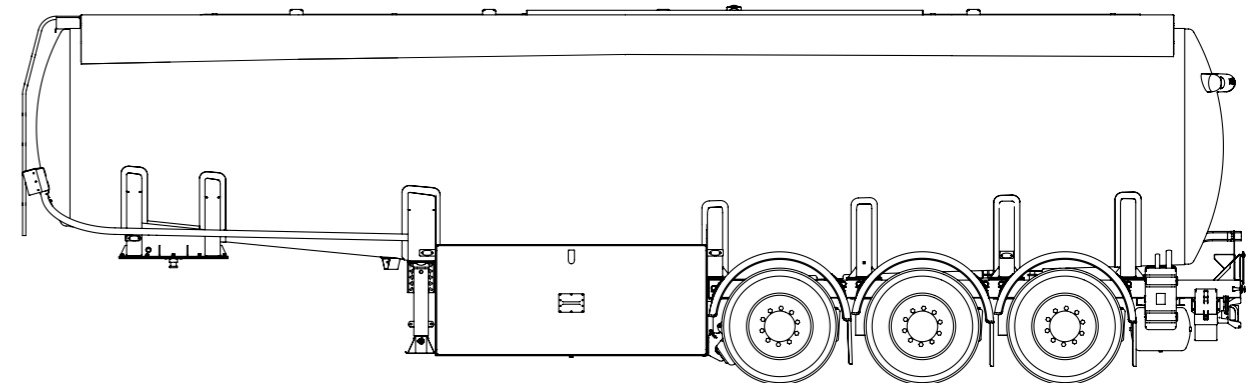
Optional electronic solutions, such as Dipstick Measurement System, GPS site monitoring or valve monitoring (S.P.D.) ensure added security during transportation.

The chassis and tank are bolted together in Schwarzmüller vehicles. Screwed connections are more flexible and make replacing the chassis easier. At Schwarzmüller, we paint our tank vehicles in-house, meaning custom design and top quality are matter of course.

All tank vehicles are designed with highest detail precision using 3-D technology, according to individual customer specification. The transmission of data to the production division is automated: optimised planning that facilitates detailed design.



38,000 l aluminium tank semitrailer



43,500 l aluminium tank semitrailer

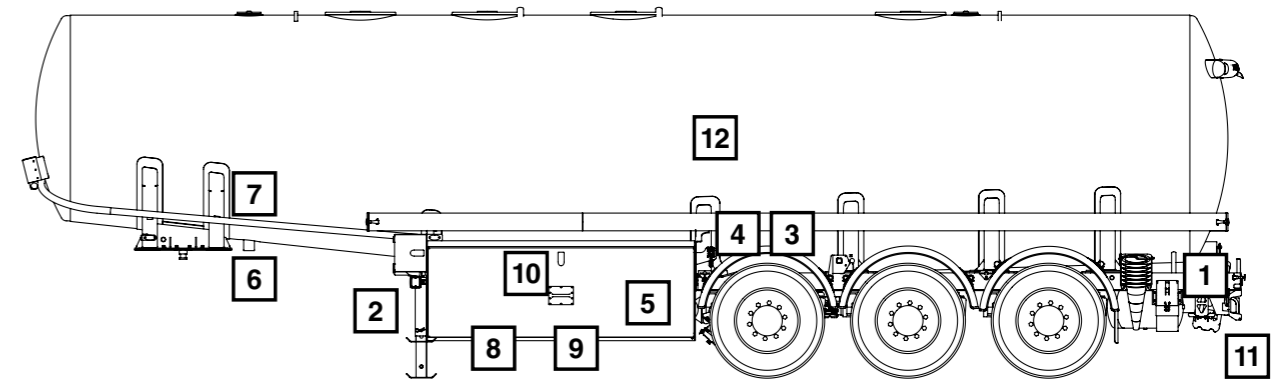
	38,000 l	43,500 l
Wheelbase	2 x 1.31 m	2 x 1.31 m
Technical axle loads	3 x 9 t	3 x 9 t
Imposed load	12 t	12 t
Technical total weight	39 t	39 t
Tare weight	from 4.5 t	from 4.8 t
Total length	Approx. 11,160 mm	Approx. 11,345 mm
Total height	Approx. 3,460 mm	Approx. 3,400 mm

Standard Equipment.

Schwarz Müller places great emphasis on secure, simple and efficient handling when it comes to its aluminium tank vehicles - even in the standard configuration. After all, no other product segment places higher demands on safety, cleanliness and performance capability.

LEGEND

- ⊖ Efficiency
- ⊙ Stability
- ⚠ Driver safety
- ⊕ Added value



1 Aluminium frame

The aluminium frame provides space for two 3" hoses of approx. 4.6 m in length. It is bolted to the tank.



2 Removable landing leg

Removable landing leg, can be uncoupled when empty



3 Single-wheel mud guards

Schwarz Müller tank vehicles feature single-wheel mud guards. These are equipped with a spray protection system in line with EC directives.



4 Lifting and lowering device

Air suspension with lifting and lowering device.



5 Single aluminium cabinets

Left: aluminium bottom-loading cabinet with API filling and discharge couplings. Right: cabinet for direct discharge lines.



6 Dipstick measurement system

Electronic dipstick measurement system with display device on the left and right side.



7 Fibreglass-reinforced plastic printer cabinet

Fibreglass-reinforced plastic cabinet with compression seal for printer on the right side.



8 Direct discharge lines

Aluminium direct discharge lines on the right side with tank vehicle connection couplings.



9 Loading pipes

Loading pipes on the left side with API couplings including caps.



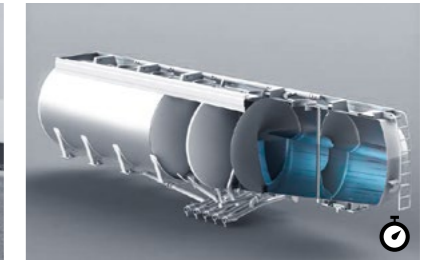
10 Cabinet light

Explosion-protected LED cabinet light.



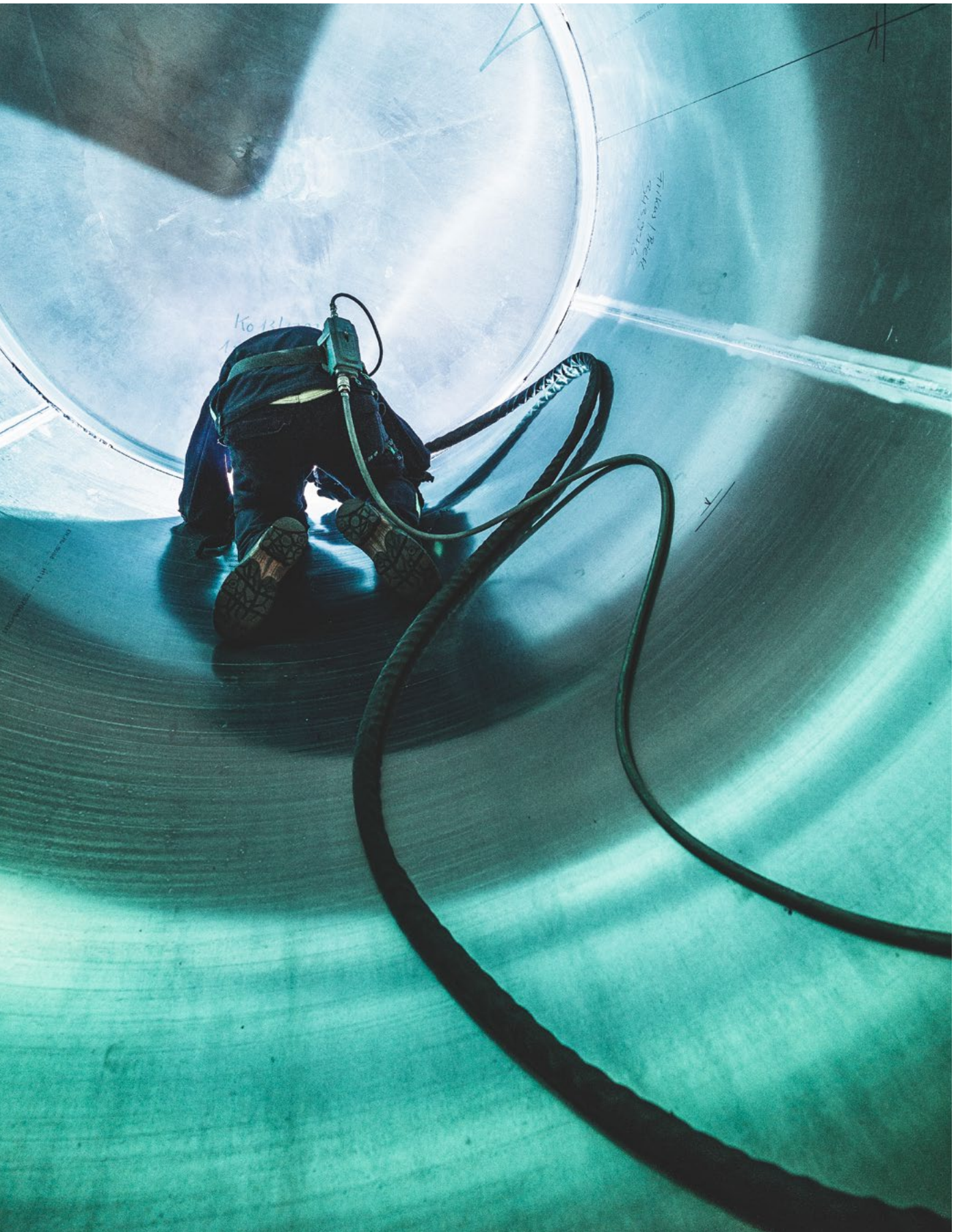
11 Aluminium under-run protection

Aluminium under-run protection in line with EC directives with full LED-type lighting



12 Tank vessel

Cylindrical tank vessel in double-conical shape.

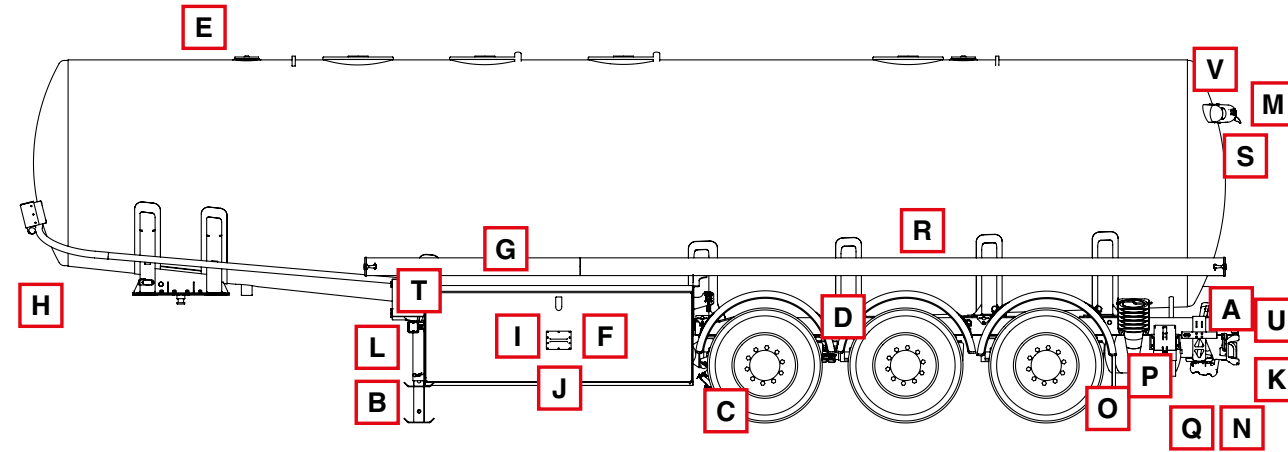


Optional Equipment.

Schwarz Müller features more than 20 of the most essential configuration elements in its range of options for its aluminium tank vehicles. The leading premium manufacturer drew on all of its expertise in developing these details in order to further optimise the usage possibilities of the vehicles. Each tank vehicle is produced in line with specific customer requirements.

LEGEND

- ⊙ Efficiency
- ⊙ Stability
- ⚠ Driver safety
- ⊕ Added value



A **Stainless-steel frame**
The stainless-steel frame provides highest strength for bad road conditions.



B **Landing legs**
Schwarz Müller offers a choice of landing legs: either in the form of a steel or aluminium crank-handle leg or steel or aluminium support legs.



C **Lifting axle**
Lifting axle reduce tyre wear by means of automatic axle raising during empty runs. These also serve as a starting aid.



D **SmartBoard**
The SmartBoard from Wabco displays various vehicle data on an integrated display.



E **Top-loading (overflow tray)**
The overflow tray is equipped with a runway, foldable handrail and dome-cover including quick-fill lid and access ladder.



F **Solid fittings cabinet**
Made of aluminium with product-collecting channel on both sides. Left: gas return connection and API filling couplings. Right: individual drains.



G **Hose storage**
The vehicle can be equipped with an additional 7.5m long hose storage.



H **Emergency-stop switch**
There is an easily accessible emergency-stop switch on the left and the right side which immediately suspends loading and unloading.



I **Pump and measurement system**
Available as an alternative to the electronic dipstick for empty and full hose delivery.



J **Gravity measurement system**
Instead of an electronic dipstick, there is the option of a PD-meter measurement system for discharging by gravity.



K **LED-type lighting**
The tail lights feature partial LED in the standard version. The full LED version is also available as an optional configuration variation.



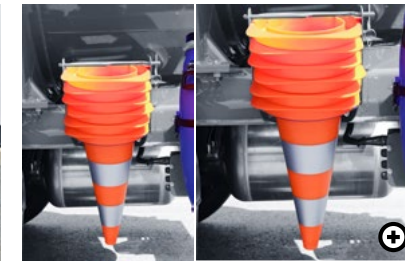
L **Working lights**
The LED lights provide extra lighting during the loading and unloading process.



M **High-level combination marker lights**
2 high-level combination marker lights including light mouldings for improved alertness.



N **Stainless-steel under-run protection**
High-shine stainless-steel under-run protection.



O **Traffic cones**
Traffic Cones, 500 mm-high, with holder.



P **Aluminium toolbox**
The side-opening door with compression seal enables ease of use and added space for various accessories.



Q **UN-approved container**
UN-approved 30-litre container for carrying binding agents.



R **Sign panels**
Two removable lateral sign panels in mounting frame. Can be used on either side. Dimensions approx. 80 x 80 cm.



S **Rear view camera**
This offers added safety for reversing; the camera cap opens pneumatically.



T **Fibreglass-reinforced plastic cabinet for control panel**
The separate fibreglass-reinforced plastic cabinet offers optimum protection for the control panel and enables ergonomic operation.



U **Wabco tailGUARD™**
Safety system with three sensors that combines rear-area monitoring with automatic braking.



V **Flashlight**
The LED flashlight warns other road users.

Best-in-class customer service.

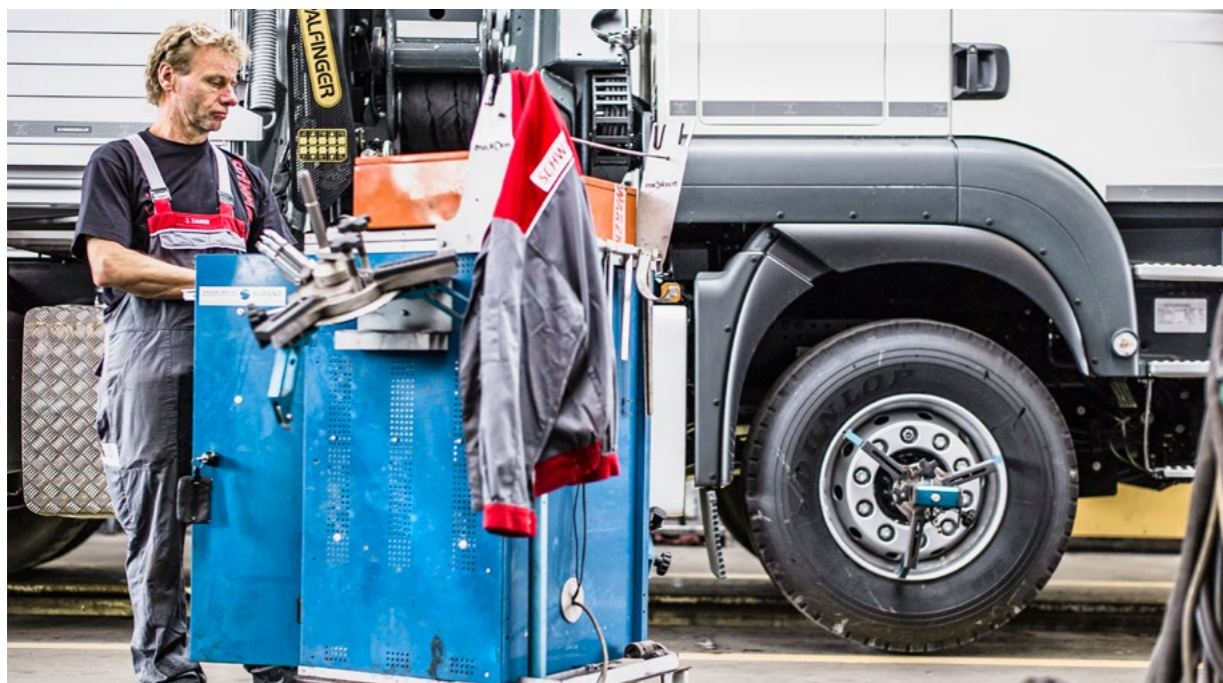
Single source for solutions matching any Schwarz Müller vehicle requirement.

Schwarz Müller benefits its customers not only with an extensive product portfolio but also with a complete system services offering. Customers can rely on pinpoint solutions throughout their vehicles' entire lifecycle - in currently 21 countries.

Our own network of garages plus 350 further service partners ensure that your Schwarz Müller will always be and remain a Schwarz Müller. Our experts know exactly how to best maintain and service a Schwarz Müller vehicle. An international logistics

network allows permanently available OEM spares to be supplied rapidly.

Schwarz Müller runs one of Europe's largest fleet of hired standard and special-purpose vehicles. It helps you buffer peak demands without having to do without premium quality. Also ask for Schwarz Müller's tailored leasing opportunities. Schwarz Müller's own Financial Service or an external partner's service with or without a service agreement: It is always up to the customer to opt for the perfect answer to their needs.



Close to our customers in 21 countries.

Schwarz Müller Group and our sales partners currently run own sites (production, sales and service) in 21 Central and Eastern European countries. This international network and its about 2,150 employees are the basis of suc-

cessful relations with customers of many industries requiring challenging transport solutions. It allows Schwarz Müller to penetrate the entire market region with new vehicles and a portfolio of services throughout the entire lifecycle of its products.

- **MANUFACTURING SITES**
Dunaharaszti (Hungary),
Freinberg (Austria),
Neustadt/Dosse (Germany),
Žebrák (Czech Republic)
- **SALES COUNTRIES**
Austria, Belgium, Bosnia,
Bulgaria, Croatia, Czech Republic,
Germany, Hungary, Italy, Latvia,
Lithuania, Luxemburg, Netherlands,
Poland, Romania, Russia, Switzerland,
Serbia, Slovakia, Slovenia, Ukraine



Intelligent full-range portfolio.

Schwarz Müller vehicles satisfy almost any transport need. From aluminium tank semi-trailer to centre-axle tipper trailers.

Schwarz Müller is proud of being able to supply its customers with smart vehicle for practically every application. Our eight product groups cover over 150 types of vehicles with more than one thousand model variants. All types of vehicles benefit from the know-how, core com-

petence and innovative power of the entire Group. They provide the perfect answer to the transport needs of the industries served. All Schwarz Müller vehicles stand for uncompromising premium quality to create real added value in everyday use.



Timber/stanchion vehicles

Timber



Tipper vehicles

Construction industry, agriculture, waste management



Body building vehicles

Construction industry, shipping/long haul transport, waste management



Platform vehicles

Shipping/long haul transport, construction industry



Walking-floor vehicles

Shipping/long haul transport, timber, waste management



Tank vehicles

Mineral oil



Low-loader vehicles

Construction industry



Container transport vehicles

Waste management

Schwarz Müller Group

Hanzing 11 · 4785 Freinberg · Austria

Tel.: +43 7713 800-0

office@schwarzmueller.com

www.schwarzmueller.com

SCHWARZMÜLLER

Art.-Nr. 120615EN