



**JINAN SHUNHE AUTO PARTS CO.,LTD**

**PRODUCT CATALOG**

**HOWO PARTS**

**2005-2007**

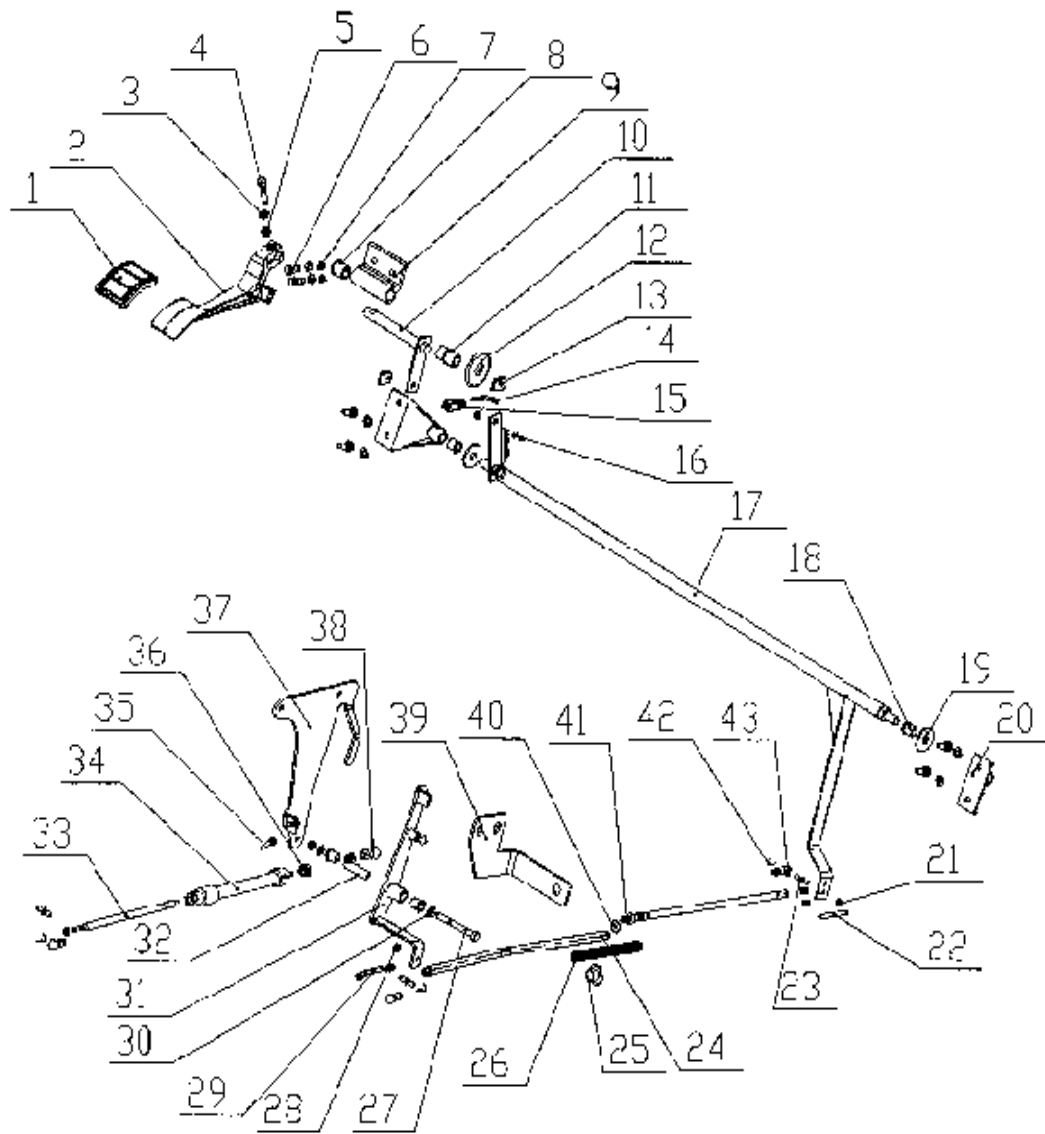
**JINAN SHUNHE AUTO PARTS CO.,LTD**

**WWW.AUTOCOMP.COM.CN**

C1-1

OPERATION DEVICE/加速踏板操纵装置

Fig. C1-1



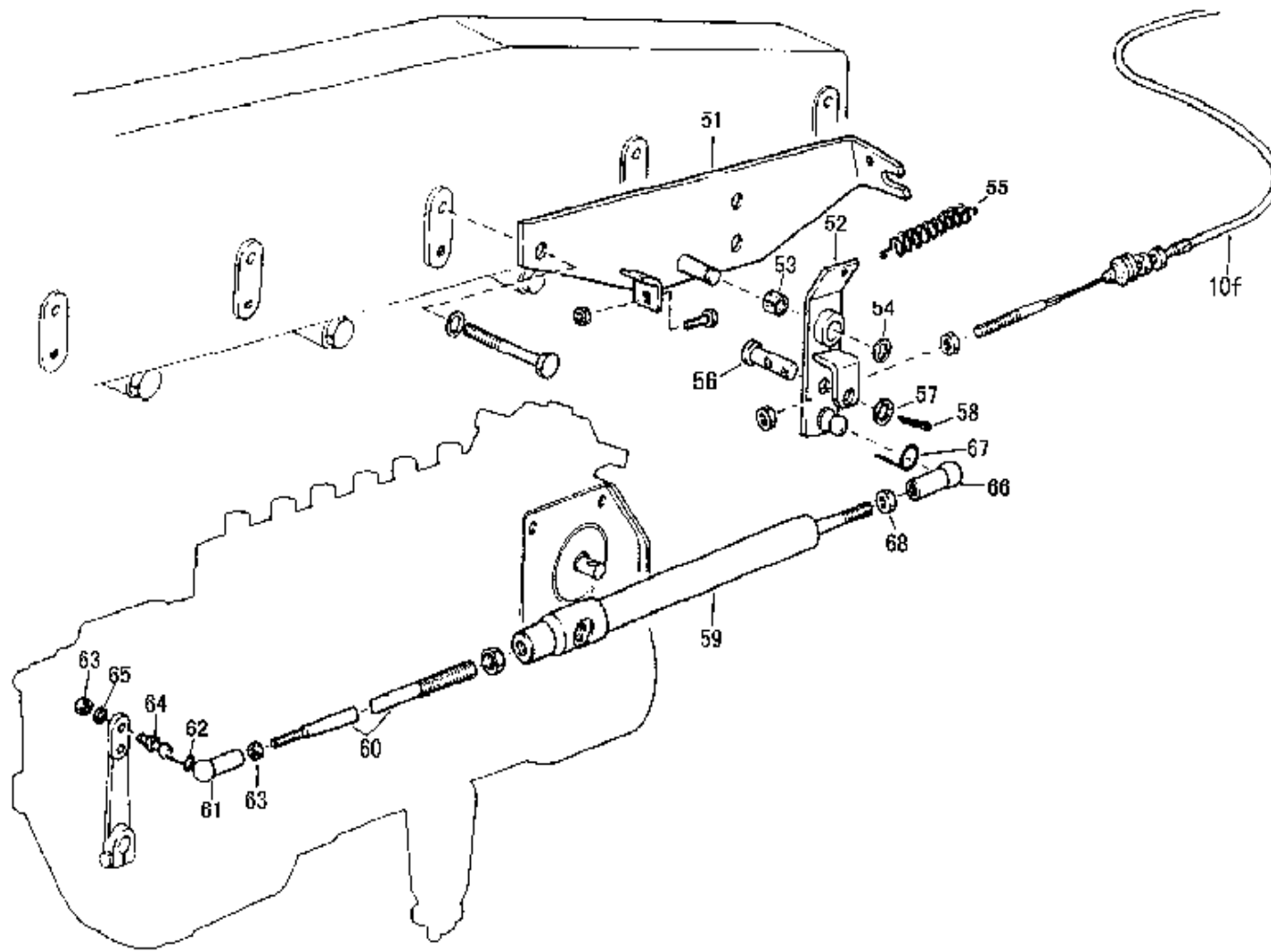
C1-1

OPERATION DEVICE/加速踏板操纵装置

No	Number of part	Quantity	Description	Applicability	Designation
1	AZ9719570001	1			Rubber footboard
2	AZ9719470002	1			Pedal
3	Q40108	8			Washer
4	Q150B0835	1			Screw
5	Q340B08	3			Nut
6	Q150B0820	6			Screw
7	Q40308	2			Spring washer
8	AZ9719570006	1			Bush
9	AZ9719570007	1			Bracket
10	WG9719570003	1		WD615	Control shaft
10	WG9719570085	1		WD618	Control shaft
10a	AZ9719570085	1		WD618	Plate
10b	Q150B0640	1		WD618	Screw
10c	Q340B06	1		WD618	Nut
10d	AZ9719570073	1		WD618	Bracket
10e	1288 570057	1		WD618	Spring
10f	WG972557000	1		WD618	Control cable
10g	Q350B06T15	2		WD618	Nut
10h	1680 580023	1		WD618	Clip
11	AZ9719570008	1			Bush
12	AZ9719570009	1			Rubber ring
13	AZ9719570012	2		WD615	Plastic clamp
14	AZ9719570011	1		WD615	Adjusting screw
15	190003964412	1		WD615	Fork head
16	Q43650	2		WD615	Snap ring
17	WG9719570015	1		WD615	Lever
18	AZ9719570023	4		WD615	Bush
19	Q40212	2		WD615	Washer
20	AZ9719570010	2		WD615	Bracket
21	Q340B06	8		WD615	Nut
22	AZ9719570051	1		WD615	Threaded bar
23	190003963313	3		WD615	Ball pivot
24	AZ9719570040	1		WD615	Brace rod
25	AZ9719570060	1		WD615	Sleeve
26	AZ9719570061	1		WD615	Spring
27	Q150B0870	1		WD615	Screw
28	Q33206	1		WD615	Nut
29	AZ9719570052	1		WD615	Threaded bar

30	AZ9719570034	1		WD615	Rubber pad
31	AZ9719570029	1		WD615	Lever
32	AZ9719570033	1		WD615	Spacer
33	199012570062	1		WD615	Threaded rod
34	WG9100570002	1		WD615	Operating cylinder
35	Q150B0625	1		WD615	Screw
36	Q340B10	1		WD615	Nut
37	AZ9719570026	1		WD615	Bracket
38	1900003963623	1		WD615	Ball cup
39	AZ9719570062	1		WD615	Bracket
40	Q40206	1		WD615	Washer
41	AZ9719570045	1		WD615	Brace rod

C1-1 OPERATION DEVICE/加速踏板操纵装置 Fig. C1-2

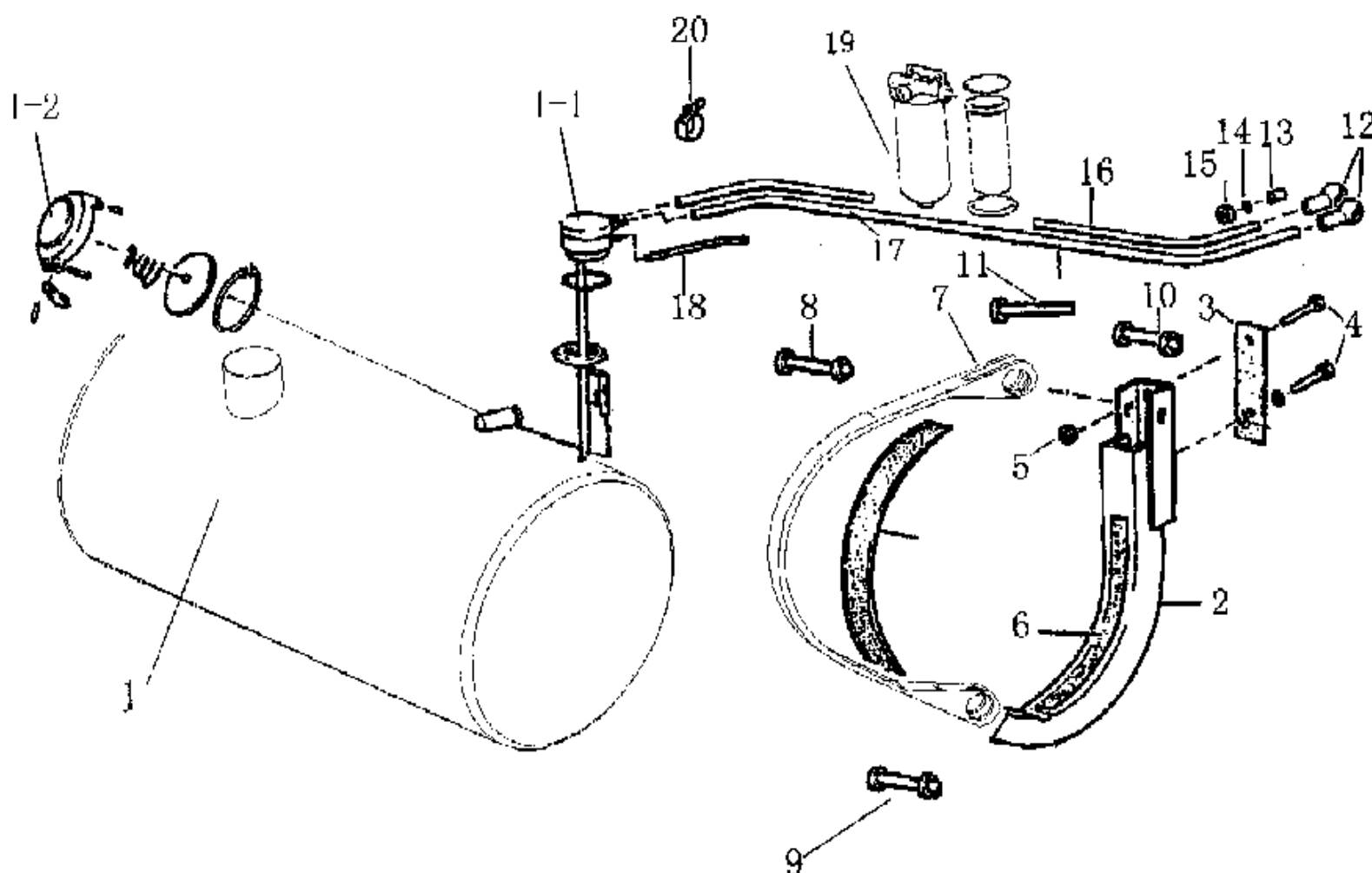


C1-1 OPERATION DEVICE/加速踏板操纵装置

No	Number of part	Quantity	Description	Applicability	Designation
42	190003936513	3		WD615	Clip
43	WG92 570025	3		WD615	Ball cup
51	AZ9118570011	1		WD618	Bracket
52	199100570018	1		WD618	Lever
53	WG99014180012	1		WD618	Bush
54	Q43680	1	8	WD618	Snap ring
55	199100570065	1		WD618	Spring
56	199012570084	1		WD618	Bolt
57	Q40110	1	10	WD618	Washer
58	Q5003216	1	3.2×16	WD618	Split pin
59	WG9100570002	1		WD618	Operating cylinder
60	AZ9118570003	1		WD618	Threaded rod
61	WG92 570025	1	B10	WD618	Ball cup
62	190003936513	1	S10	WD618	Clip
63	Q340B06	2	M6	WD618	Nut
64	190003963313	1	A10	WD618	Ball pivot
65	Q40506	1	B6	WD618	Spring washer
66	190003963623	1	B13	WD618	Ball cup
67	190003936514	1	S13	WD618	Clip
68	Q340B08	1	M8	WD618	Nut

C1-2 350L, 380L FUEL AL-TANK/350L, 380L铝制燃油箱

Fig. C1-3



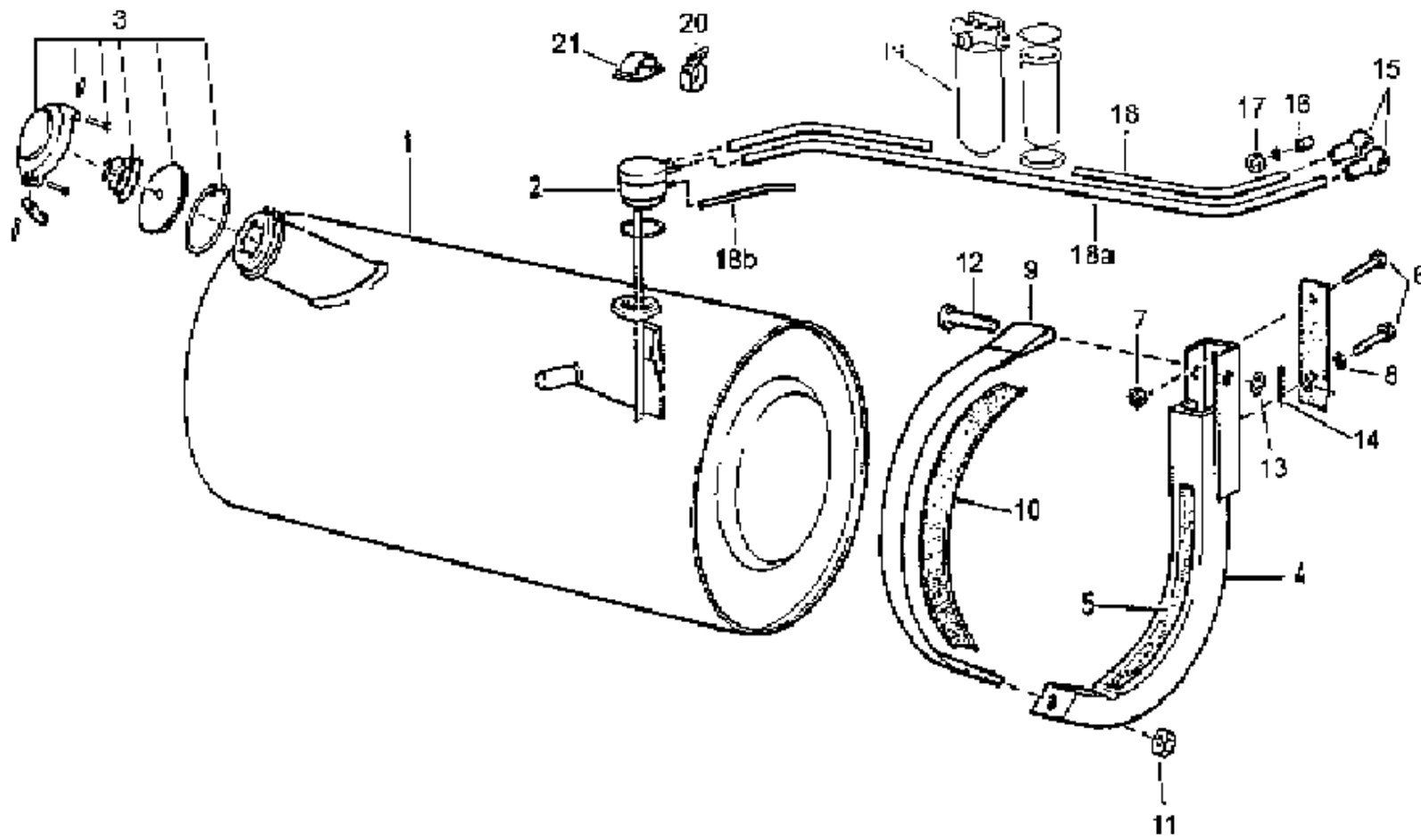
C1-2 350L, 380L FUEL AL-TANK/350L, 380L铝制燃油箱

No	Number of part	Quantity	Description	Applicability	Designation
1	AZ9112550210	1	Φ700×1020		380LFuel tank
1—1	AZ9112550210-1	1			Fuel gauge
1—2	AZ9112550210-2	1			Cover
1	ZW9725550001	1			350LFuel tank
1—1	ZW9725550001-1	1			Fuel gauge
1—2	ZW9725550001-1	1			Cover
2	AZ9112550220	2			Support
3	199112550128	2			Plate
4	Q151B1650TF2	4			Screw
5	190003888627	4			Nut
6	AZ9112550226	2			Base
7	AZ9112550225	2			Strap
8	AZ9112550227	2			Tension bolt
9	AZ9112550228	2			Tension bolt
10	AZ9112550229	2			Tension bolt
11	AZ9112550230	2			Screw
12	WG9014230017	3			Hose connector
13	190003962621	2			Female screw
14	Q72314T5F	4			Washer
15	Q33210	2			Nut
16	AZ9112550120	105			Suction line
17	AZ9112550120	110			Return line
18	AZ9112550121	50			Pipe
19	WG9725550002	1			Fuel prefilter C
1—19	WG9725550002-1	1			Prefilter element
20	190003171697	6			Cable binder
20a	1397 350169	1			Angle
20b	WG9100360134	1			Clamp
20c	Q340B06	1			Nut
20d	Q40106	1			Washer

C1-3

200L FUEL AL-TANK/200L铝制燃油箱及管路

Fig. C1-4



C1-3

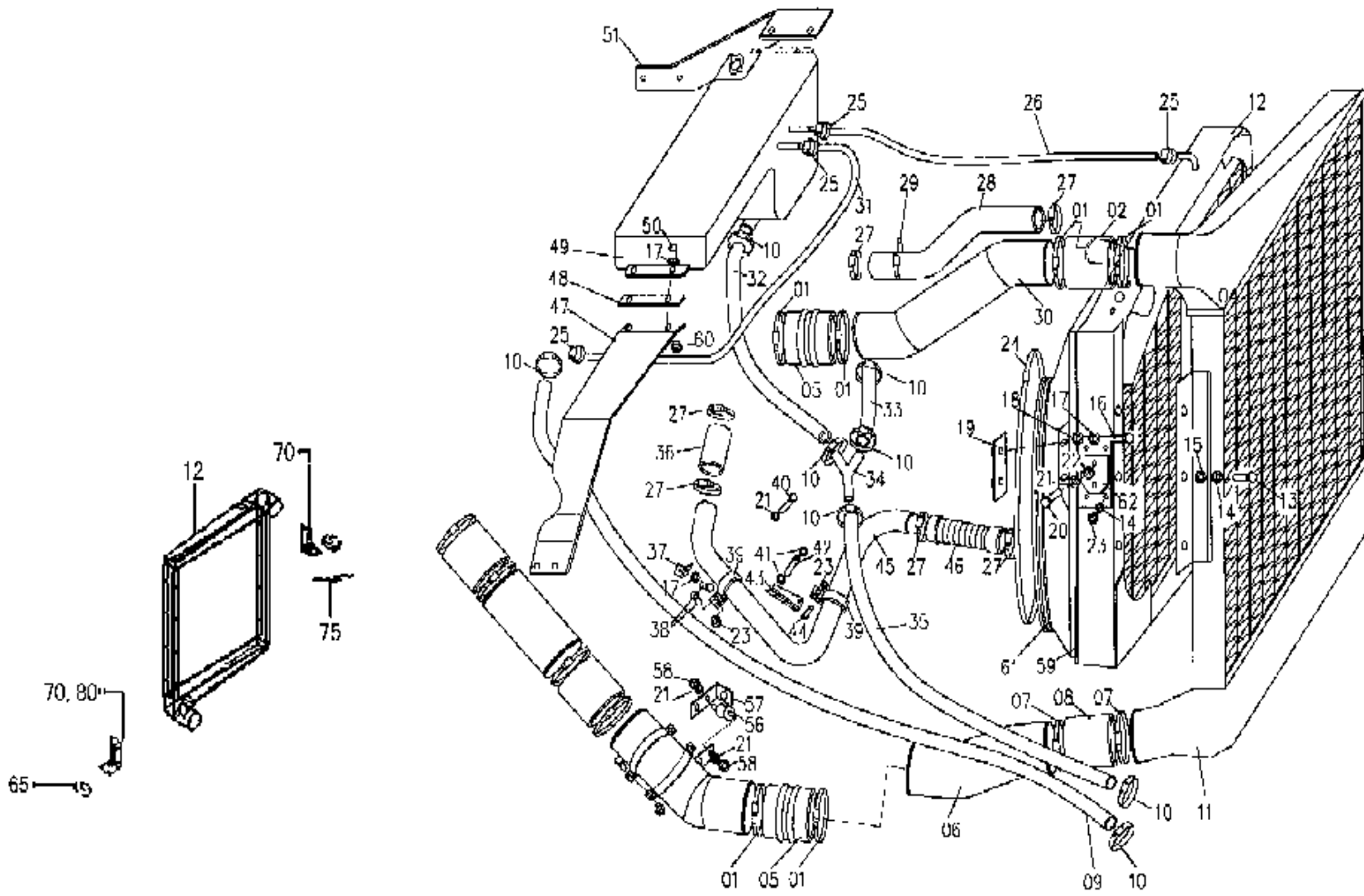
200L FUEL AL-TANK/200L铝制燃油箱及管路

No	Number of part	Quantity	Description	Applicability	Designation
1	AZ9718559001	1			200L Fuel AL-tank
2	AZ9718559001-1	1			Fuel gauge
3	AZ9718559001-2	1			Cover
4	199100550006	2			Support
5	199100550009	2			Base
6	Q150B1440	4			Screw
7	19000388458	2			Nut
8	Q40314	2			Spring washer
9	WG9100550011	2			Strap
10	WG9100550081	2			Base
11	Q33210	2			Nut
12	Q5101075	2			Bolt
13	Q40110	2			Washer
14	Q5003214	2			Split pin
15	WG9014230017	2			Hose connector
16	190003962621	2			Female screw
17	Q33210	2			Nut
17a	Q72314T5F	4			Gasket
18	AZ9112550120	190	10×1		Suction line
18a	AZ9112550120	195	10×1		Return line
18c	199114550021	1			Connector
18d	1397 350169	1			Angle
18e	WG9100360134	1			Space
18f	Q150B0630	1			Screw
18g	Q340B06	1			Nut
18h	Q40106	1			Washer
19	WG9725550002	1			Fuel prefilter C
19-1	WG9725550002-1	1			Prefilter element
20	190003171393	2	A5×180		Cable binder
21	199000770296	1			Clamp

C1-4

COOLING SYSTEM /冷却系统

Fig. C1-5



C1-4

COOLING SYSTEM /冷却系统

No	Number of part	Quantity	Description	Applicability	Designation
1	190003989315	10			Clamp
2	WG9719530108	1			Hose
2	WG9725538041	1		HHR	Hose
5	WG9719530107	2			Hose connector
5	WG9725538043	1		HHR	Hose
8	WG9725530070	2		62,87	Hose
8	WG9719530108	1		47,69,82	Hose
8	WG9725538042	1		HHR	Hose
9	WG1620840060	1		47	Hose
9	WG1600840029	1		62,87,69,HHR	Hose
10	1900043989301	8			Clamp
11	WG9719530250	1		47	Aftercooler
11	WG9725530020	1		62,87,69	Aftercooler
11	WG9725530090	1		82	Aftercooler
11	WG9725538060	1		HHR	Aftercooler
12	WG9719530230	1		47	Radiator
12	WG9719530010	1		62,87,69	Radiator
12	WG9725537070	1		82	Radiator
12	WG9725538050	1		HHR	Radiator
13	Q150B0816	6			Screw
14	Q40008	14			Washer
15	Q41208	6			Spring washer
16	Q150B0820	4			Screw
17	Q40308	9			Spring washer
18	Q40108	4			Washer
19	1780 530009	2			Fastening sheet
20	Q150B1018	4			Screw
21	Q40310	9			Spring washer
22	Q40110	4			Washer
23	Q33208	10			Nut
24	190003980204	1			Clamp
25	190003989300	4			Clamp
26	WG9114530138	4			Hose
27	AZ9003980010	6			Clamp
28	WG9719530111	1		62,87,69,47	Inletwater pipe
28	WG9725537005	1		82	Inletwater pipe
28	WG9725538008	1		HHR	Inletwater pipe
30	AZ9719530122	1		62,87,69,47	Outlet air pipe
30	WG9725537004	1		82	Outlet air pipe
30	WG9725538044	1		HHR	Outlet air pipe

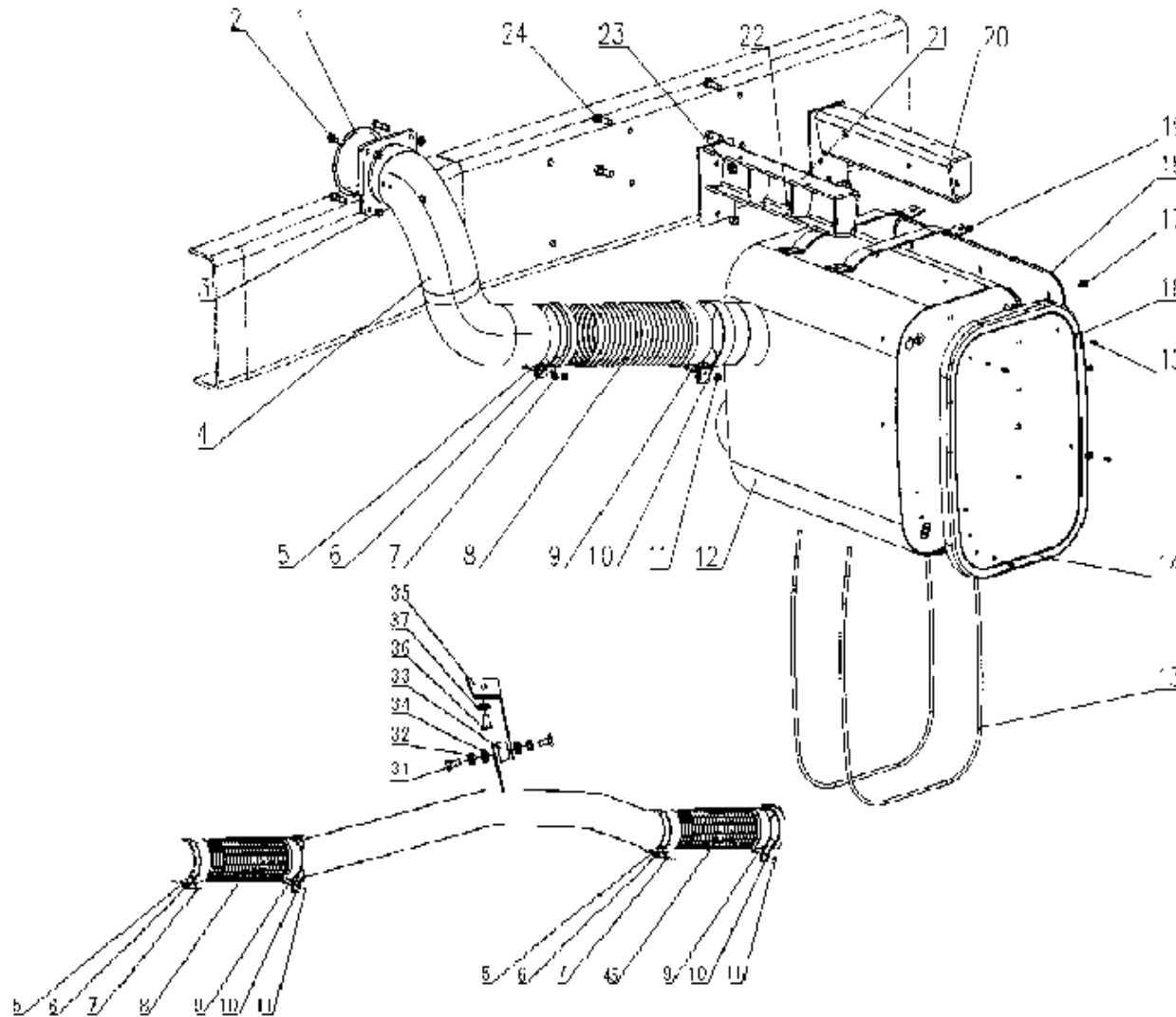
31	WG9114530139	1			Hose
32	WG9716530307	1			Hose
33	WG9716530305	1			Hose
34	WG9716530510	1			Junction pipe
35	WG9112530468	1			Hose
36	WG9719530228	1			Hose
45	WG9719530212	1		47	Outlet water pipe
45	WG9719530003	1		62,87,69	Outlet water pipe
45	WG9719537007			82	Outlet water pipe
45	WG9725538014	1		HHR	Outlet water pipe
46	WG9719530227	1			Hose
46	WG9725537021	1		82	Hose
46	WG9725538063	1		HHR	Hose
46a	AZ9716530505	1		47,82	Bracket
46a	AZ9716530521	1		62,87,69	Bracket
49	WG9719530260	1			Expansion tank
49	AZ9112530333	1		HHR	Expansion tank
49a	AZ9725538099	1		HHR	Bracket
49b	AZ9725538125	1		HHR	Bottom bracket
61	AZ9725538055	1		HHR	Shroud
61	WG9725537001	1		82	Shroud
61	AZ9719530132	1		47	Shroud
61	AZ9725530401	1		87,62	Shroud
61	AZ9725533037	1		69	Shroud
65	AZ9719530272	2			Rubber support
65a	Q40010	8			Washer
65b	Q40310	8			Spring washer
65c	Q33210	8			Nut
70	AZ9719530201	1			Bracket left for radiator
70a	AZ9719530202	1			Bracket right for radiator
70b	Q150B01816	8			Screw
70c	Q40308	8			Spring washer
75	AZ9719530205	1			Supporting plate left
75a	AZ9719530206	1			Supporting plate right
75b	Q150B1025	2			Screw
75c	Q340B10	2			Nut
80	AZ9725538065	1		HHR	Top supporter for radiator
80a	AZ9725538066	1		HHR	Bottom supporter for radiator
81	AZ9725538073	1		HHR	Left bracket for radiator
85	AZ9725538076	1		HHR	Right bracket for radiator
※ HHR—HOWO with HINO engine,drive right					
62—WD615.62 87—WD615.87 69—WD615.69 47—WD615.47					
82—WD618.82 PIIC—HINO engine PIIC					



C1-5

EXHAUST PIPING/排气管及消声器

Fig. C1-6



C1-5

EXHAUST PIPING/排气管及消声器

No	Number of part	Quantity	Description	Applicability	Designation
1	AZ9719540019	1			Gasket
1	WG9112540015			8×4,HHR	Gasket
2	Q150B1045	4			Screw
2	181560110187	6		HHR	Stud
3	Q33210	4		HHR	Nut
3	190003888470	6		HHR	Nut
4	WG9719540009	1		For standard cab	Exhaust line
4	WG9719540012	1		For long,high-roof cab	Exhaust line
4	WG9731540001	1		8×4	Exhaust line
4	WG9725540001	1		HHR	Exhaust line
4a	AZ9725540012	1		HHR	Heat shield
4b	Q150B0835	2		HHR	Screw
4c	Q40108	2		HHR	Washer
4d	Q40308	2		HHR	Spring washer
5	Q150B0830	2			Screw
6	WG9719540016	1			Clamp
6	WG9725540009	4		HHR	Clamp
6a	Q150B0845	4		HHR	Screw
6b	Q33208	4		HHR	Nut
7	Q33208	2			Nut
8	WG9719540021	1			Corrugated flexible metal tube
8	WG9731540002	1		8×4	Corrugated flexible metal tube
8	WG9725540007	1		HHR	Corrugated flexible metal tube
9	Q150B0830	1			Screw
10	AZ9719540018	1			Clamp
11	Q33208	1			Nut
12	WG9725540002	1			Muffler
12	WG9725540010	1		HHR	Muffler
13	AZ9719540008	2			Strap
14	WG9719540025	1			Garnish plate
15	Q150B0620	4			Screw
16	Q40306	4			Spring washer
17	Q150B0610	9			Screw
18	WG9719540026	1			Heat shield
19	AZ9719540007	2			Stop plate
20	AZ9719540002	1			Rear bracket
21	AZ9719540003	1			Front bracket
22	Q33208	4			Nut
23	Q33212	4			Nut
24	Q150B1235	4			Screw

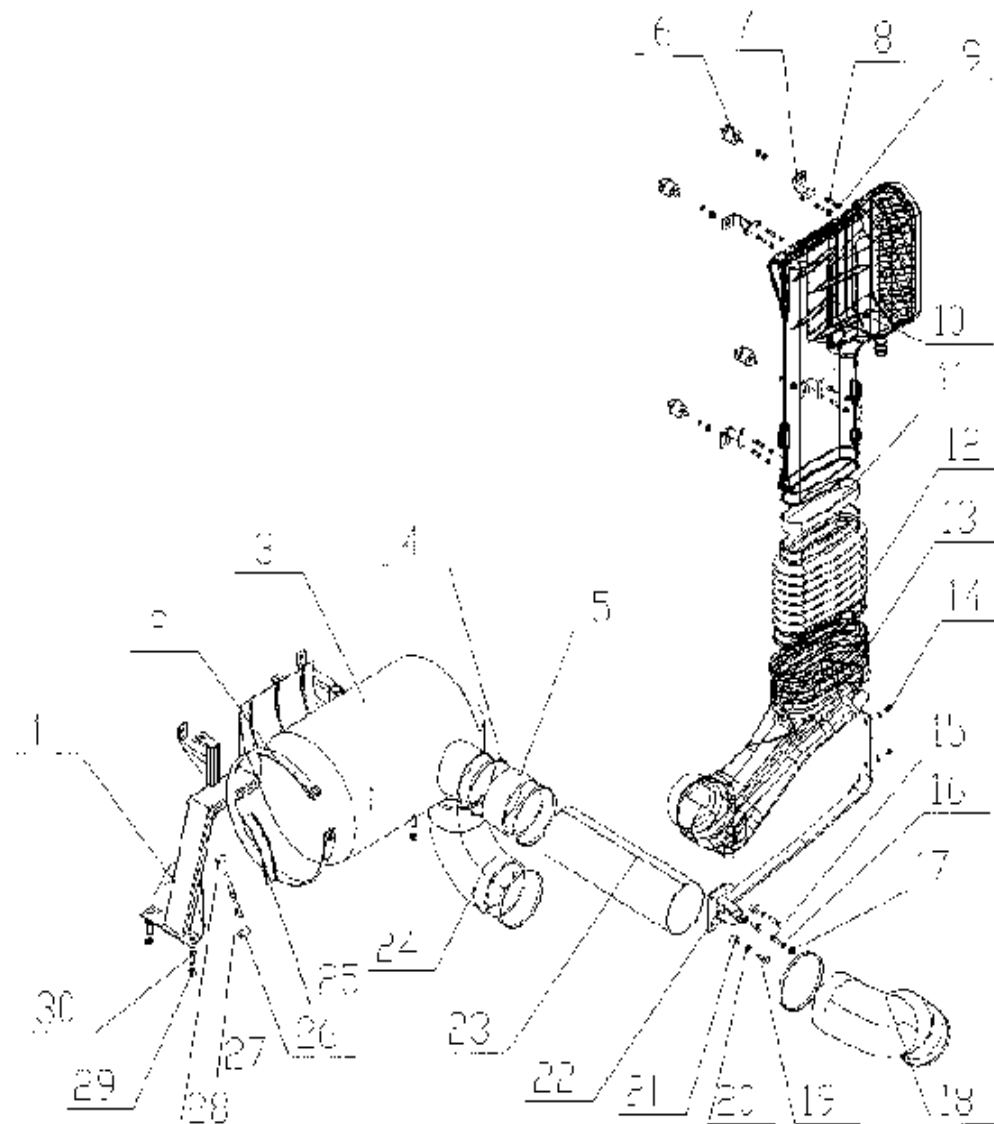
30	WG9731540003	1		8×4	Exhaust line
31	Q150B1025	4		8×4	Screw
32	Q40310	4		8×4	Spring washer
33	WG84D410007	4		8×4	Rubber pad
34	Q40210	4		8×4	Washer
35	AZ9731540004	2		8×4	Bracket
36	Q150B1016	4		8×4	Screw
37	Q40310	4		8×4	Spring washer
40	AZ9731540005	2		8×4	Clamp
41	AZ9731540006	2		8×4	Clamp
42	Q150B1035	4		8×4	Screw
43	Q150B1025	2		8×4	Screw
44	Q33210	6		8×4	Nut
45	WG9719540021	1		8×4	Corrugated flexible metal tube

※ HHR——HOWO with HINO engine,long cab and drive right.

C1-6

AIR FILTER/空滤器系统

Fig. C1-7



C1-6

AIR FILTER/空滤器系统

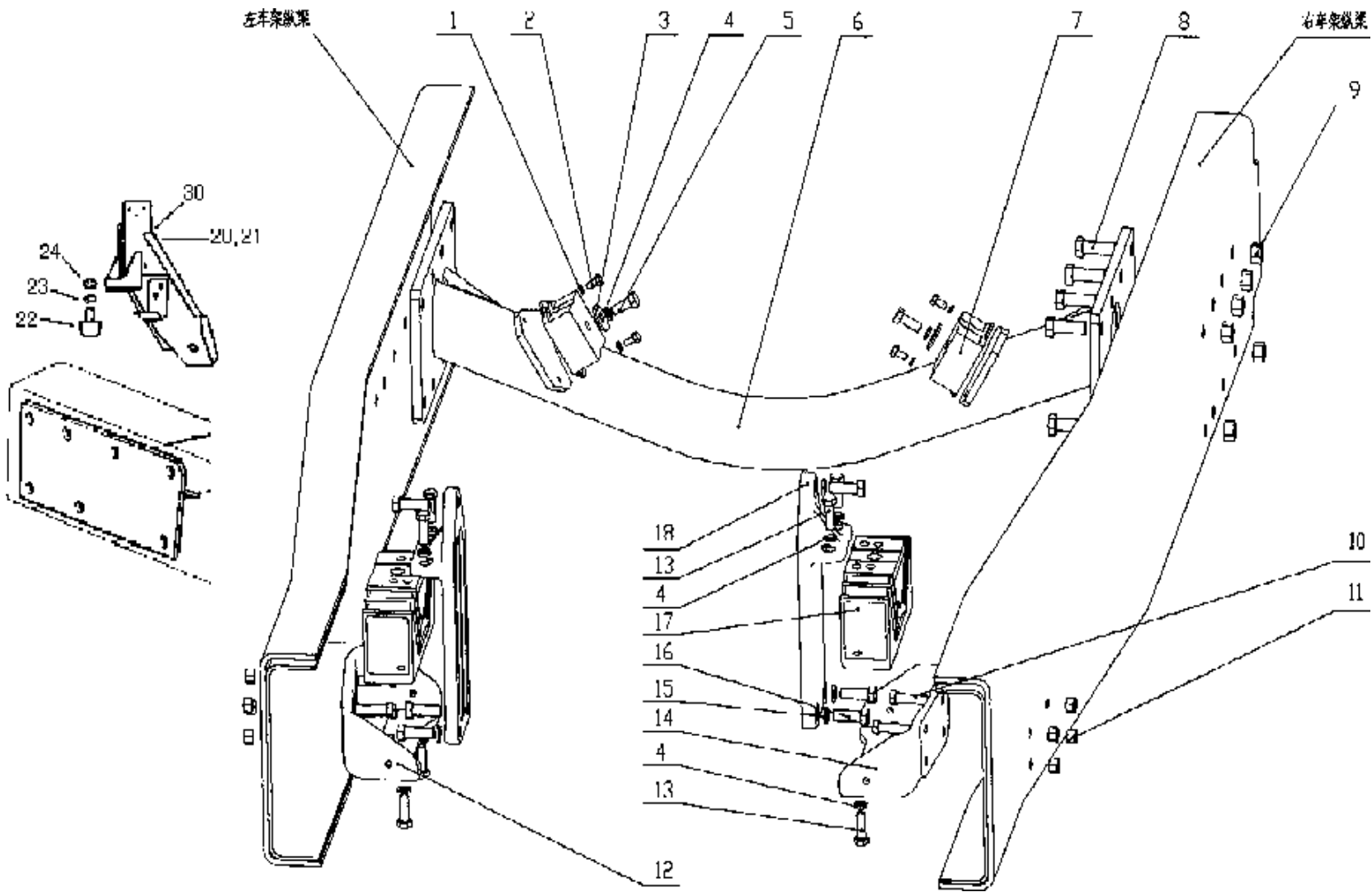
No	Number of part	Quantity	Description	Applicability	Designation
1	AZ9725190001	1		HHR	Supporter
1	WG9719190002	1		For WD615	Supporter
1	AZ9725190065	1		For WD618	Supporter
2	WG9100190026	1			Strap
3	WG9725190063	1		For WD618	Air filter
3	WG9719190001	1			Air filter
3	WG9725190045	1		HHR	Air filter
3a	WG1200190040	1			Sensor
3-1	WG9719190001-1	1			Filter element
3-1	WG9725190063-1	1		WD618	Filter element
3-1	WG9725190045-1	1		HHR	Filter element
4	AZ9003980025	6			Clamp
5	WG9719190046	1			Hose
5	AZ9725190062	1		For WD618	Hose
5	WG9725190042	1		HHR	Hose
6	WG9719190033	4			Rubber block
7	WG9719190030	4			Bracket
7	AZ9719190036	4		For high roof cab	Bracket
8	Q1840825	8			Screw
9	Q33208	8			Nut
10	WG9719190013	1			Air intake line I
11	WG9719190016	1			Strap
12	WG9719190015	1			Siphon
13	WG9719190014	1			Air intake line II
13	WG9725190061	1		For WD618,HHR	Air intake line II
14	Q150B0810	2			Screw
15	Q150B0825	1			Screw
16	Q40108	7			Washer
17	Q33008	5			Nut
18	WG9719190009	1			Hose
19	Q150B1030	3			Screw
20	Q40610	3			Spring washer
21	1113 010043	3			Spacer
22	WG9719190040	1			Bracket
22	AZ9725190081	1		For WD618,HHR	Bracket
22a	AZ9725190079	1		ForWD618,HHR	Bracket
23	WG9719190050	1		For long cab,high roof cab	Pipe
24	WG9725190041	1		HHR	Hose
24	WG9719190008	1			Hose

25	199100190065	1			Sheet
26	1280 550028	1			Bolt
27	1280 550029	1			Screw
28	1280 550027	1			Bolt
29	Q33212	4			Nut
30	Q150B1235	4			Screw

C1-7

SUSPENSION FOR ENGINE/发动机悬置

Fig. C1-9



C1-7

SUSPENSION FOR ENGINE/发动机悬置

No	Number of part	Quantity	Description	Applicability	Designation
1	Q40308	4			Spring washer
2	Q150B0816	4			Screw
3	1480A360058	2			Washer
4	Q40312	10			Spring washer
5	190003802622	2			Screw
6	WG9719590001	1		WD615	Crossbar
6	WG9731590001	1		8×4,WD615	Crossbar
6	AZ9725590029	1		WD618	Crossbar
6	AZ9725590007	1		PIIC	Crossbar
7	WG1680590095	2			Rubber support
7	AZ9725592000	2		PIIC	Rubber support
8	Q151B1645	6			Screw
9	190003888459	6			Nut
10	Q150B1245	8			Screw
11	Q33212	8			Nut
12	AZ9731590015	1		WD615/618	Bracket left
12	AZ9731590017	1		PIIC	Bracket
13	Q151C1235	8			Screw
14	AZ9731590016	1		WD615/618	Bracket right
14	AZ9731590017	1		PIIC	Bracket
15	Q151B1440	6			Screw
16	Q40314	6			Spring washer
17	AZ9725590031	2			Bearing
18	AZ9731590020	2		WD615/618	Support
18	AZ9725590002	1		WD615 with P.T.O rear	Bracket left
18a	AZ9725590006	1		WD615 with P.T.O rear	Bracket right
18	AZ9725590081			PIIC	Bracket right
18a	AZ9725590082			PIIC	Bracket left
20	AZ9725590046	1		WD618	Support left
20	AZ9725596020	1		WD615.47	Support left
20a	AZ9725590045	1		WD618	Aux.support left
21	AZ9725590047	1		WD618	Support right
21	AZ9725596030	1		WD615.47	Support right
21a	AZ9725590048	1		WD618	Aux.support right
22	WG9100590082	2		WD618,WD615.47	Stop block
23	Q40312	2		WD618	Washer
24	Q34012	2		WD618	Nut
30	AZ9725590020	2		PIIC	Bearing
30a	AZ9725590023	2		PIIC	Connecting plate

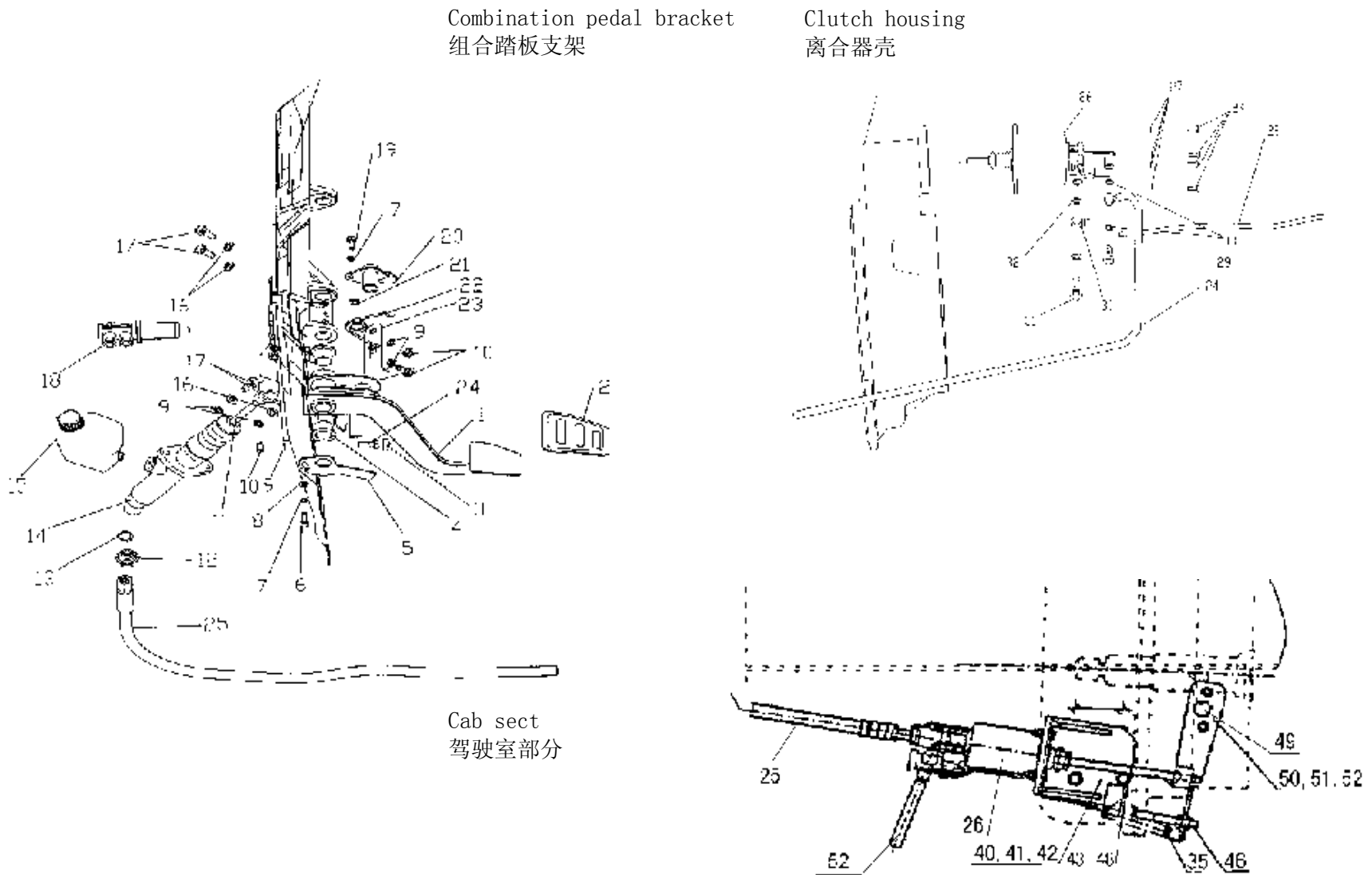
## C1-8 SPECIAL PARTS OF WD615 FOR HOWO/HOWO车用WD615发动机专用件

No	Number of part	Quantity	Description	Applicability	Designation
1	612600130125	1		WD615.62,87,69,47	Air compressor
2	612600130127	1		WD615.62,87,69,47	Water pipe
3	AZ9719570027	1		WD615.62,87,69,47	Bracket
4	612600120103	1		WD615.47	Bracket
5	612600120122	1		WD615.69,87,62	Bracket
6	612600120121	1		WD615.69,87,62	Air intake manifold
7	612600111141	1		For engine PTO.rear	Connecting pipe
8	612600111144	1		For engine PTO.rear	Air intake manifold
9	612600111136			WD615.62,87,69,47	Exhaust manifold rear
10	612600111137			WD615.62,87,69,47	Exhaust manifold front
11	612600111182			For engine PTO.rear	Oil intake pipe
12	612600010898			WD615.62,87,69,47	Oil dipstick
13	612600010899			WD615.62,87,69,47	Jauge
14	612600111197			WD615.62,87,69,47	Screw
15	612600010919			WD615.62,87,69,47	Nozzle
16	612600111196			WD615.62,87,69,47	Air intake pipe
17	612600111138			WD615.62,87,69,47	Heat shield
18	612600111139			WD615.62,87,69,47	Heat shield
19	612600111200			WD615.62,87,69,47	Screw
20	612600111051			WD615.62,87,69,47	Oil pipe
21	612600120100			WD615.62,87,69,47	Air intake manifold of aftercooler
22	612600111213			WD615.69,87,62	Bracket
23	612600111078			WD615.62,87,69,47	Connecting pipe
24	612600120101			For WD615.47	Bottom air intake pipe of aftercooler
27	612600830080			WD615.62,87,69,47	Cover
28	612600070155			WD615.62,87,69,47	Washer
29	612600010909			WD615.62,87,69,47	Washer
30	AZ9719530035			WD618.82	Air intake pipe of compressor
31	612600111052			WD615.62,87,69,47	Screw for exhaust manifold
32	612600130121			WD615.62,87,69,47	Rubber hose
33	61560116227D			For engine P.T.O rear	Turbochager
34	61560118227D		Option	For engine P.T.O rear	Turbochager
35	612600111413			WD618.82	Pipe of aftercooler
36	612600111419			WD618.82	Air intake pipe of aftercooler
37	612600111424			WD618.82	Bracket
38	612600111425			WD618.82	Bracket
39	612600060659			WD618.82	Water intake pipe
40	61560118227			WD615.62,87,69	Turbochager
41	61560110227			WD615.47	Turbochager
42	612600081161			WD615.62	Injection pump
43	612600081162			WD615.87	Injection pump
44	612600080446			WD615.87,bosch	Injection pump,Bosch
45	612600083151			WD615.69	Injection pump
46	612600082115			WD615.69,bosch	Injection pump,Bosch
47	61560080302			WD615.47,bosch	Injection pump,Bosch
48	612600060215			WD618.82	Φ 620 fan
49	612600060166			WD615.62	Φ 750 fan
50	612600060445			WD615.87,62	Φ 590 ring fan
51	612600060446			WD615.47,69	Φ 640 ring fan
52	81500060228			WD615.47,69	V-belt(speed ratio 3.39)
53	61500060217			WD615.87,62	V-belt(speed ratio 3.15)
54	612600090065			WD615.62,87,69,47	V-belt(altemater)
55	AZ1500098058			WD615.62,87,69,47	1kw altemater
56	612600098155		Option	WD615.62,87,69,47	1.5kw altemater

C2-1

CLUTCH OPERATION SYSTEM/离合器操纵系统

Fig. C2-1



C2-1

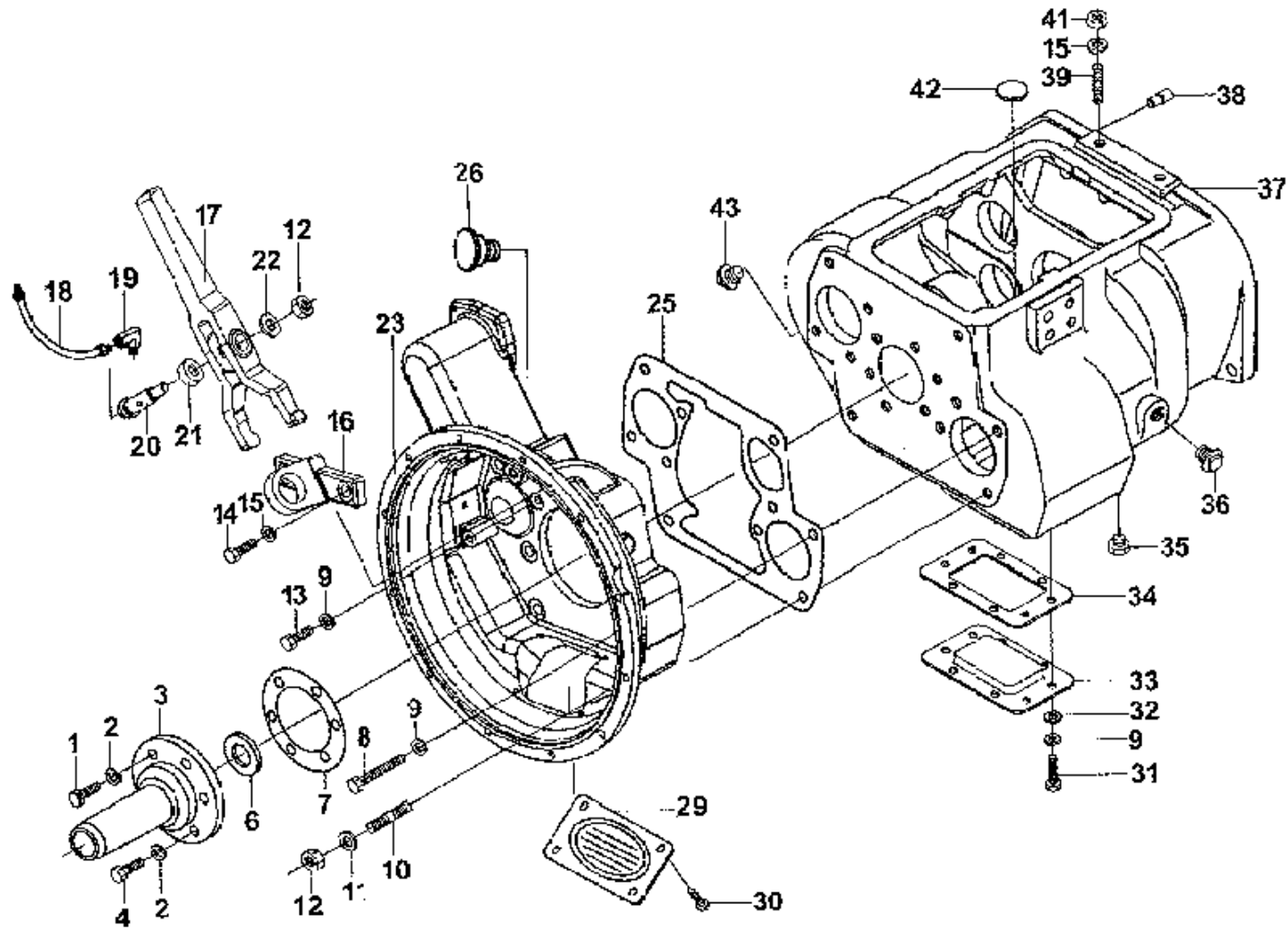
CLUTCH OPERATION SYSTEM/离合器操纵系统

No	Number of part	Quantity	Description	Applicability	Designation
0	AZ9719360051	1			Shaft
0	AZ9719360050	1			Combination bracket
1	AZ9719230045	1			Clutch pedal
1	AZ9719230070	1		For drive right	Clutch pedal
2	AZ9123230226	1			Rubber footboard
3	AZ9123360067	1			Plug
4	AZ9719360060	2			Bush
5	AZ9719230019	1			Stop bracket
6	Q150B0620	1			Screw
7	Q40306	1			Spring washer
8	Q40106	1			Washer
9	Q40308	3			Spring washer
10	Q340B08	1			Nut
11	AZ9719230016	1			Push rod
12	AZ9160230092	1			Connector
13	Q72314T5F	3			Gasket
14	WG9719230015	1			Driving cylinder
15	WG9719230014	1			Clutch oil tank
16	Q40108	4			Washer
17	Q150B0820	4			Screw
18	WG9719230011	1		For FAST gearbox	Clutch brake valve
19	Q150B0615	1			screw
20	AZ9719230012	1			Bracket C.
21	Q340B06	1			Nut
22	AZ9719230009	1			Spring
23	AZ9719230007	1			Spring bracket
24	Q150B0830	5			Screw
25	WG9719230027	1		For Φ430 clutch	High pressure hose
25	WG9632230010	1		For drive right	High pressure hose
25	WG9123230026	1		For Φ420 clutch	High pressure hose
26	WG9114230018	1		For Φ430 clutch	Operating cylinder
26	WG9114230023	1		For Φ 420 clutch,FAST gear box	Operating cylinder
26	WG9114230029	1		For Φ 420 clutch,QJ S6-120	Operating cylinder
26	WG9719230030	1		For Φ 420 clutch,QJ 5S-150GP	Operating cylinder
27	Q41208	4			Washer
28	190003179781	100cm			Plastic pipe

29	190003962621	1			Female screw
30	WG99100270119	1			Hose connector
31	190003962627	1			Female screw
32	Q72316T5F	1			Gasket
40	AZ9114230016	1			Bracket
41	Q151B1425	2			Screw
42	Q40314	2			Spring washer
43	12054230100	1			Spring
44	AZ9114230039	1			Bracket
45	Q150B0825	4			Screw
46	Q340B08	4			Nut
47	Q40108	4			Washer
48	Q40308	4			Spring washer
49	199112230033	1			Release shaft
50	AZ9114230004	1			Release lever
51	Q40310	2			Spring washer
52	Q340B10	2			Nut
53	AZ9160230272	1			Screw
54	Q41810	2			Washer
55	Q340B10	2			Nut



C2-2 Φ430 CLUTCH HOUSING FOR FAST RT-11509C/富勒RT-11509C装用Φ430离合器壳 Fig. C2-2



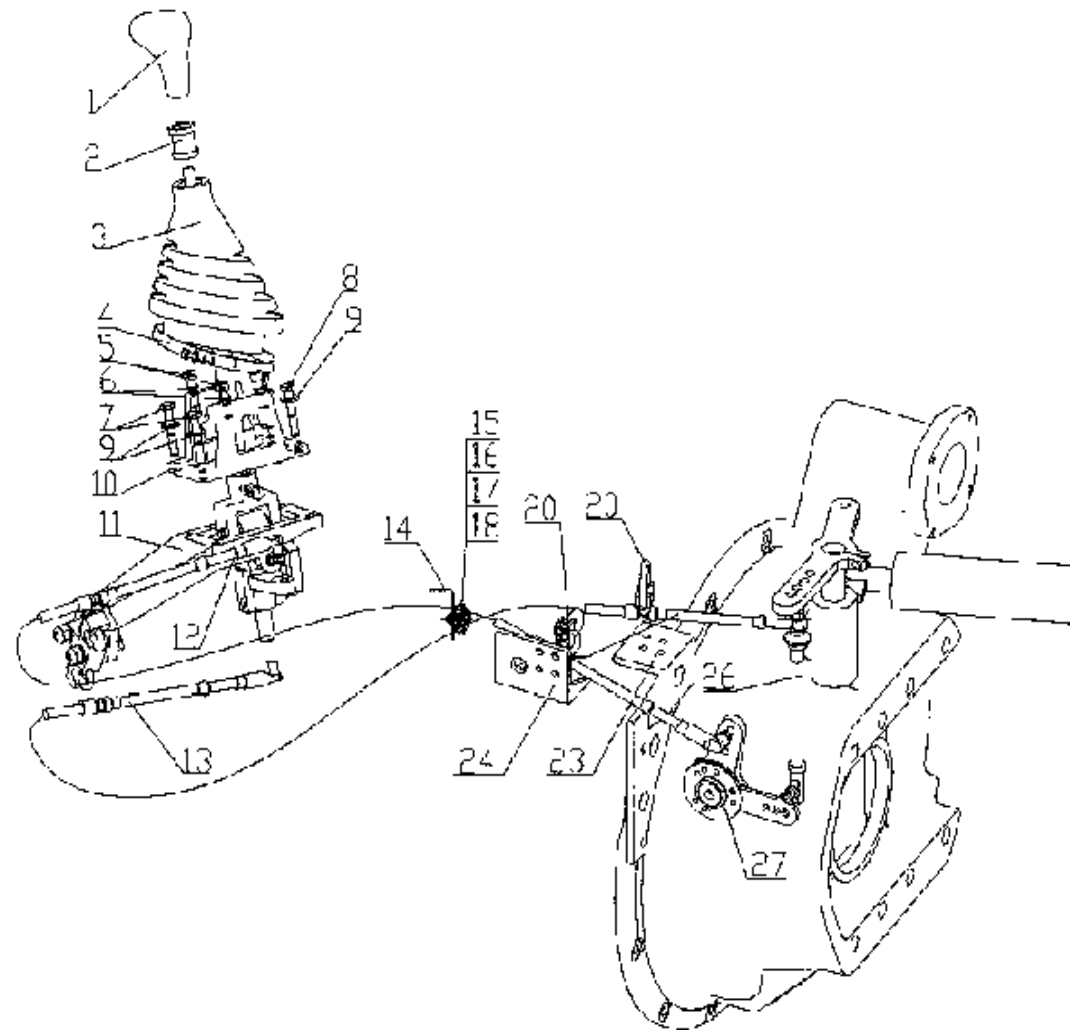
C2-2 Φ430 CLUTCH HOUSING FOR FAST RT-11509C/富勒RT-11509C装用Φ430离合器壳

No	Number of part	Quantity	Description	Applicability	Designation
1	Q1701032	2			Screw
2	Q40310	6			Spring washer
3	JS180-1701040-1	1			Cover
4	M10×32	4			Screw
6	F500A-1802191	1			Oil seal
7	14311	1			Gasket
8	M12×90	2			Screw
9	Q40312	12			Spring washer
10	C01056	6			Stud
11	Q40016	6			Washer
12	Q33216	7			Nut
13	Q150B1238	2			Screw
14	Q150B1645	2			Screw
15	Q40316	4			Spring washer
16	JS180-1601024-2	1			T Style board
17	JS180-1601021-2	1			Shift fork
18	51016	1			Oil pipe
19	12880	1			Connector
20	JS180-1601023-1	1			Shift fork shaft
21	GB304-64UC25	1			Joint bearing
22	JS180-1601022-1	1			Washer
23	JS180-1601015-5	1			Clutch housing
25	20822	1			Clutch housing gasket
26	A-6	1	GB1154-79		Grease cup
29	JS180-1701016-3	1			Cover
30	Q150B0812	4			Screw
31	Q150B1225	8			Screw
32	Q40112	8			Washer
33	16596	1			Window cover
34	16929	1			Gasket
35	Q614B06	1			Plug
36	Q614B12	1			Plug
37	18686	1			Gearbox housing
38	14334	2			Stop pin
39	Q1231630	2			Stud
41	Q33216	2			Nut
42	14373	3			Magnet
43	Q61304	1			Plug

C3-1

GEARBOX GEAR CHANGE SYSTEM/变速器换档操纵装置

Fig. C3-1



C3-1

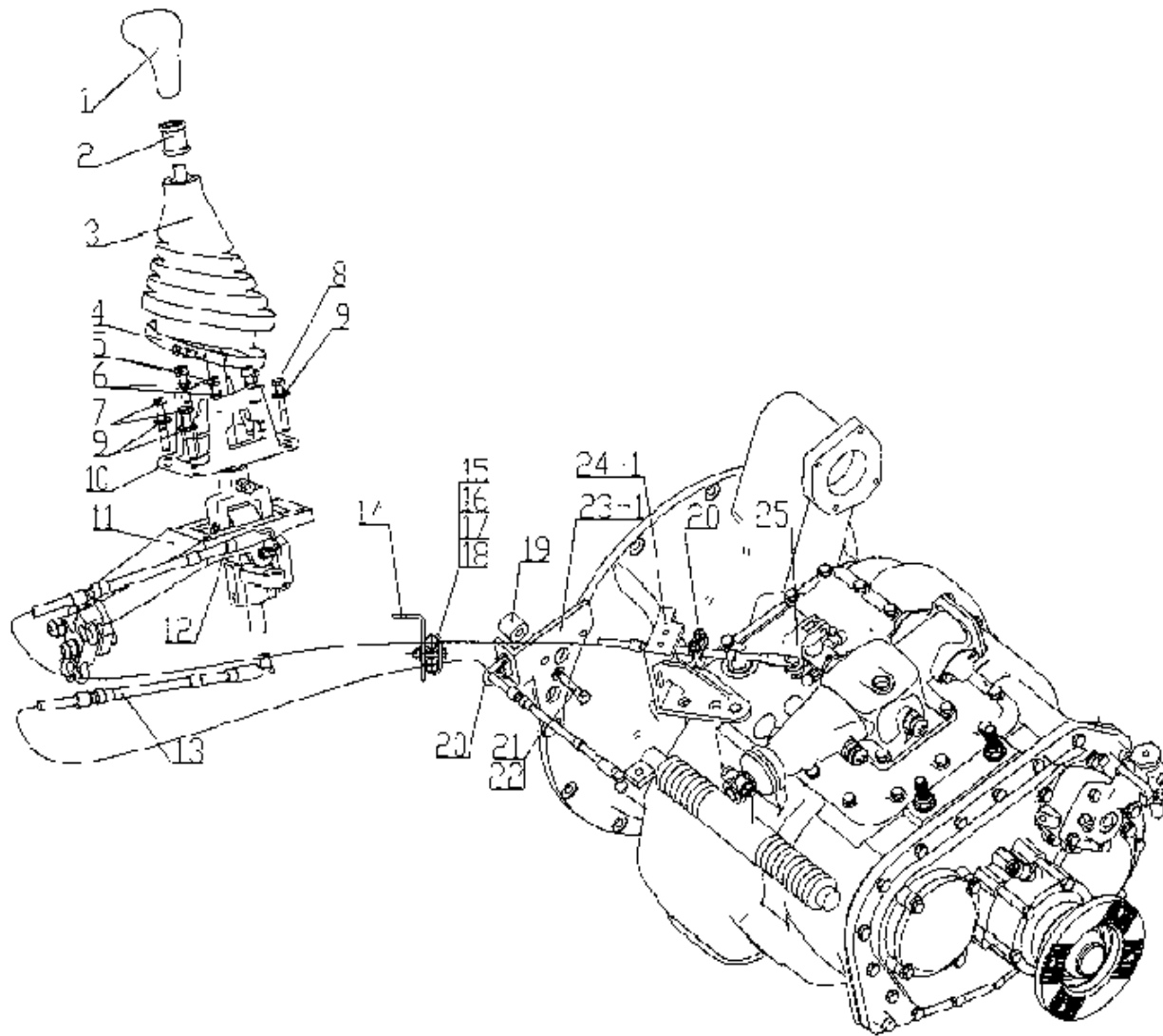
GEARBOX GEAR CHANGE SYSTEM/变速器换档操纵装置

No	Number of part	Quantity	Description	Applicability	Designation
1	AZ9100240060	1			Gear shift knob
1	AZ9123240214	1			Gear shift knob
1	AZ9100240061	1			Gear shift knob
1	AZ9716240001	1			Gear shift knob
1	AZ9123240211				Gear shift knob
2	179200240075	1			Cable sleeve
3	AZ9719240002	1			Siphon
4	190003989318	1			Circlip
5	Q218B0825	4			Screw
6	Q40308	4			Spring washer
7	Q150B0850	2			Screw
8	Q150B0835	2			Screw
9	Q40308	4			Spring washer
10	AZ9719240032	1			Connecting block
11	WG9716240010	1			Operator assembly
11-1	WG9716240008	1			Operator
11-2	WG9725240009	1			Gear shift lever
11	WG9719240031	1			Operator assembly
11-1	WG9719240028	1			Operator
11-2	WG9725240009	1			Gear shift lever
12	WG9719240007	1			Positioning cable
12	WG9719240111	1			Positioning cable
12	WG9716240011	1			Positioning cable
13	WG9725240008	1			Gear shift cable
13	WG9719240112	1			Gear shift cable
13	WG9716240013	1			Gear shift cable

C3-1

GEARBOX GEAR CHANGE SYSTEM/变速器换档操纵装置

Fig. C3-2



C3-1

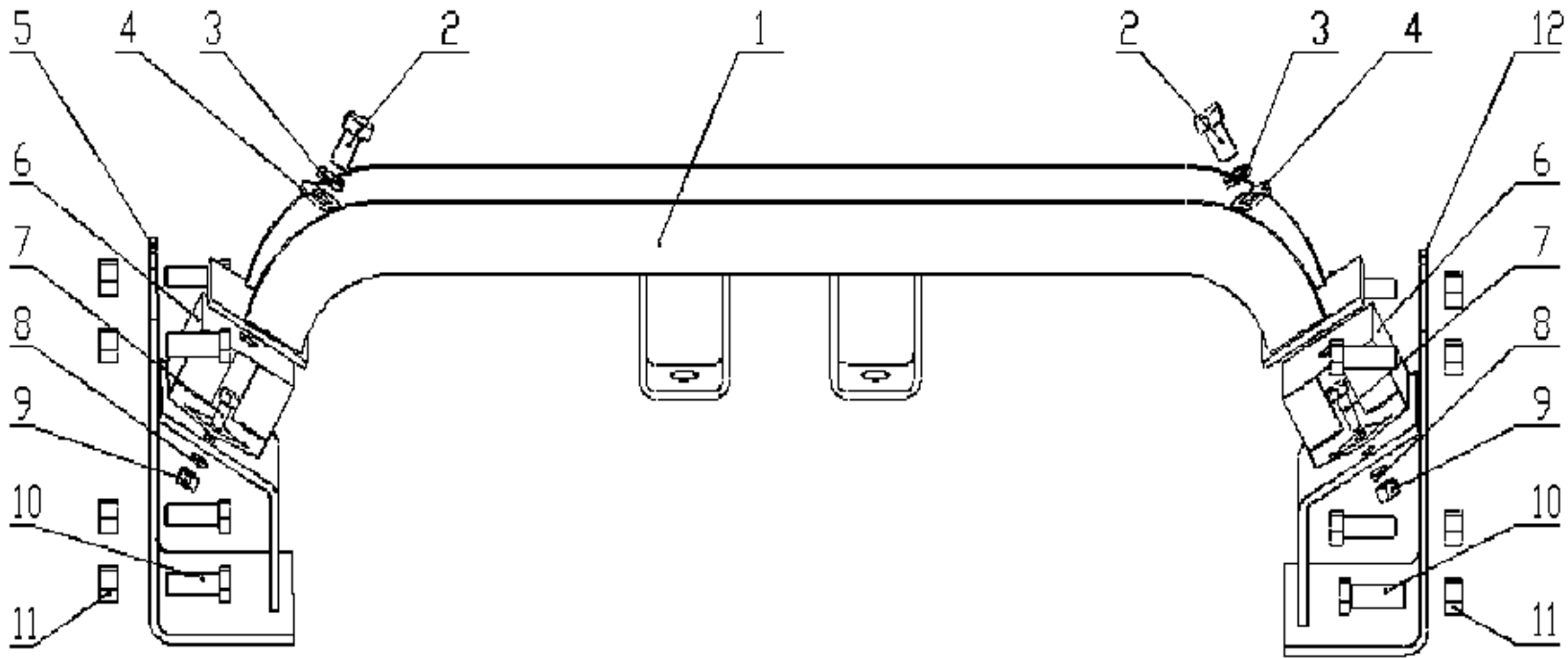
GEARBOX GEAR CHANGE SYSTEM/变速器换档操纵装置

No	Number of part	Quantity	Description	Applicability	Designation
14	1397 350169	3			Angle
15	Q150B0840	3			Screw
16	Q40308	3			Spring washer
17	Q340B08	3			Nut
18	1188 730187	3			Clamp
19	AZ9719240017	3			Sleeve
20	WG9719240008	2			Clamp
21	Q150B0835	1			Screw
22	Q40108	1			Washer
23	AZ9725240024	1			Bracket for gear shift cable
23	AZ9717240027	1			Bracket for gear shift cable
23	AZ9719240026	1			Bracket for gear shift cable
24	AZ9719240025	1			Bracket for positioning cable
24	AZ9719240029	1			Bracket for positioning cable
25	AZ9719240023	1			Positioning lever
26	WG9719240117	1			Support bar
27	WG9719240116	1			Positioning bar
28	WG9719240118	1			Gear shift bar
29	AZ9725240026	6			Protect sleeve for cable

C3-2

GEARBOX SUSPENSION/变速器支承装置

Fig. C3-3



C3-2

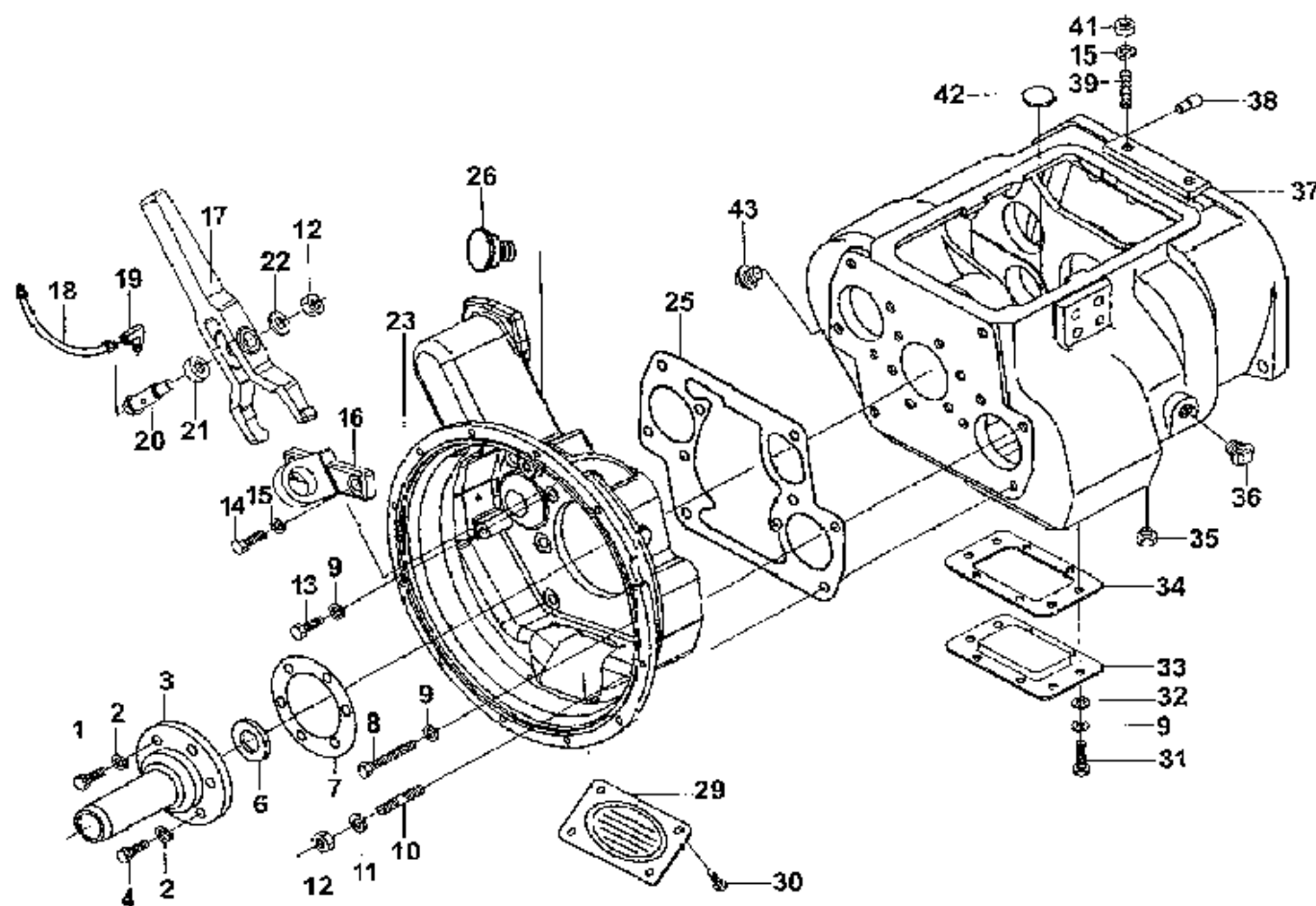
GEARBOX SUSPENSION/变速器支承装置

No	Number of part	Quantity	Description	Applicability	Designation
1	AZ9725596010	1		For FAST	Cross member
1	AZ9725590008	1		For 9JS180	Cross member
1	AZ9731596160	1		For 8×4 with FAST	Cross member
1	AZ9725590090	1		For QJ5S-111(150)GP	Cross member
2	Q150B1222	2			Screw
3	Q40312	2			Spring washer
4	1480A 360058	2			Washer
5	AZ9725590095	1		For QJ5S-111(150)GP with Φ420 clutch	Left bracket
5	AZ9725596120	1		For FAST	Left bracket
5	AZ9725590063	1		For 9JS180	Left bracket
5	AZ9731596170	1		For 8×4 with FAST	Left bracket
5	AZ9725596140	1		For engine with P.T.O rear	Left bracket
5	AZ9725590093	1		For QJ5S-111(150)GP with Φ430 clutch	Left bracket
6	WG1680590095	2			Support front
7	Q150B0822	4			Screw
8	Q40308	4			Spring washer
9	Q340B08	4			Nut
10	Q150B1235	8			Screw
11	Q33212	8			Nut
12	AZ9725596130	1			Right bracket
12	AZ9725590060	1		For 9JS180	Right bracket
12	AZ9731596180	1		8×4	Right bracket
12	AZ9725590018	2		HHR	Bracket
12	AZ9725596150	1		For engine with P.T.O rear	Right bracket
12	AZ9725590096	1		For QJ5S-111(150)GP with Φ420 clutch	Right bracket
12	AZ9725590094	1		For QJ5S-111(150)GP with Φ430 clutch	Right bracket

C4-1

9JS150T GEARBOX HOUSING/9JS150T变速器壳体

Fig. C4-1



C4-1

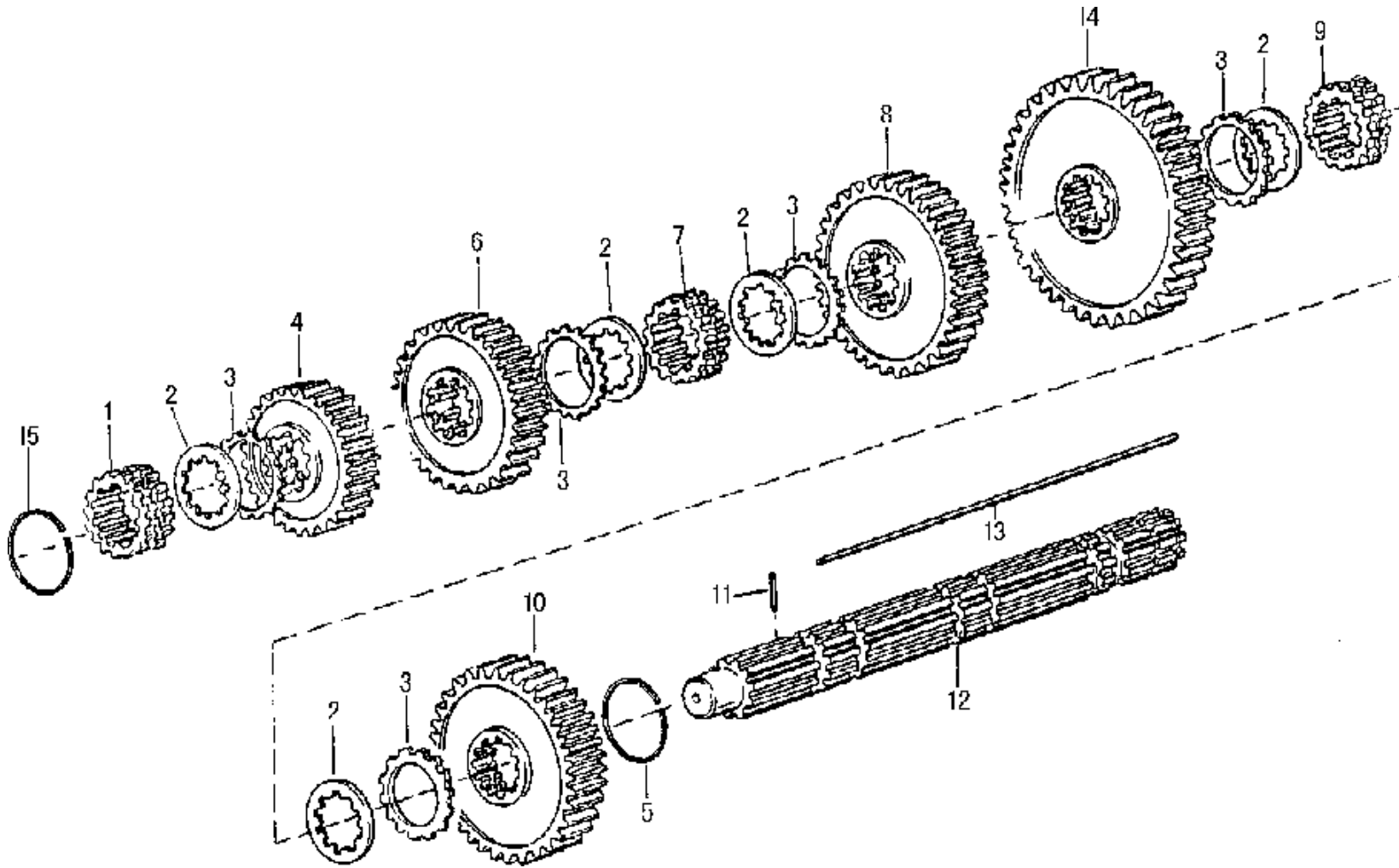
9JS150T GEARBOX HOUSING/9JS150T变速器壳体

No	Number of part	Quantity	Description	Applicability	Designation
1	Q1701032	2			Screw
2	Q40310	6			Spring washer
3	JS180-1701040-1	1			Cover
4	M10×32	4			Screw
6	F500A-1802191	1			Oil seal
7	14311	1			Gasket
8	M12×90	2			Screw
9	Q40312	12			Spring washer
10	C01056	6			Stud
11	Q40016	6			Washer
12	M16×1.5	7			Nut
13	M12×38	2			Screw
14	M16×45	2			Screw
15	Q40316	4			Spring washer
16	JS180-1601024-2	1			T style board
17	JS180-1601021-2	1			Shifting fork
18	51016	1			Oil pipe
19	12880	1			Connector
20	JS180-1601023-1	1			Shifting fork shaft
21	GB304-64UC25	1			Joint bearing
22	JS180-1601022-1	1			Washer
23	JS180-1601015-5	1			Clutch housing
25	20822	1			Clutch housing gasket
26	A-6	1			Grease cup
29	JS180-1701016-3	1			Clutch cover
30	Q150B0812	4			Screw
31	Q150B1225	8			Screw
32	Q40112	8			Washer
33	16596	1			Window cover
34	16929	1			Gasket
35	Q614B06	1			Plug
36	Q614B12	1			Plug
37	18686	1			Gearbox housing
38	14334	2			Stop pin
39	Q1231630	2			Stud
41	M16×1.5	2			Nut
42	14373	3			Magnet
43	Q61304	1			plug

C4-2

9JS150T MAIN SHAFT/二轴总成

Fig. C4-2



C4-2

9JS150T MAIN SHAFT/二轴总成

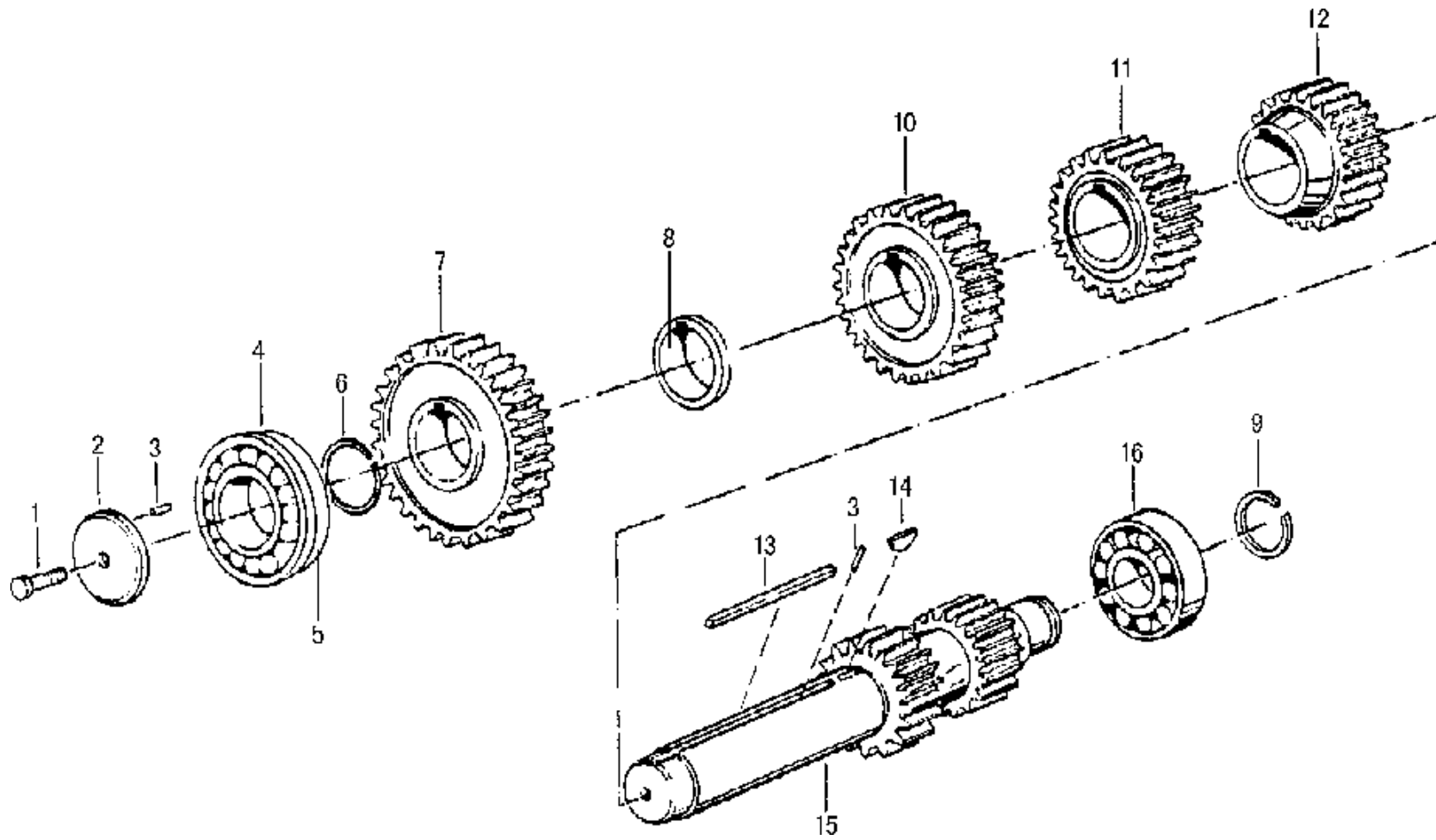
No	Number of part	Quantity	Description	Applicability	Designation ※
1	JS150T-1701150				Synchronization 3-4 gear
2	18701				Washer
3	14749				Washer
4	JS150T-1701113				Gear M/S 3rd gear
5	14750				Snap ring
6	JS150T-1701112				Gear M/S 2nd gear
7	JS150T-1701140				Synchronization 1-2 gear
8	JS150T-1701111				Gear M/S 1st gear
9	JS150T-1701108				Sliding clutch
10	JS150T-1701109				Gear M/S reverse gear
11	62504				Flexibility roll pin
12	JS150T-1701105				Main shaft
13	17109				Cotter
14	JS150T-1701110				Gear M/S Low gear
15	16763				Snap ring

※ MS—Main shaft

C4-3

9JS150T LAY SHAFT/中间轴总成

Fig. C4-3



C4-3

9JS150T LAY SHAFT/中间轴总成

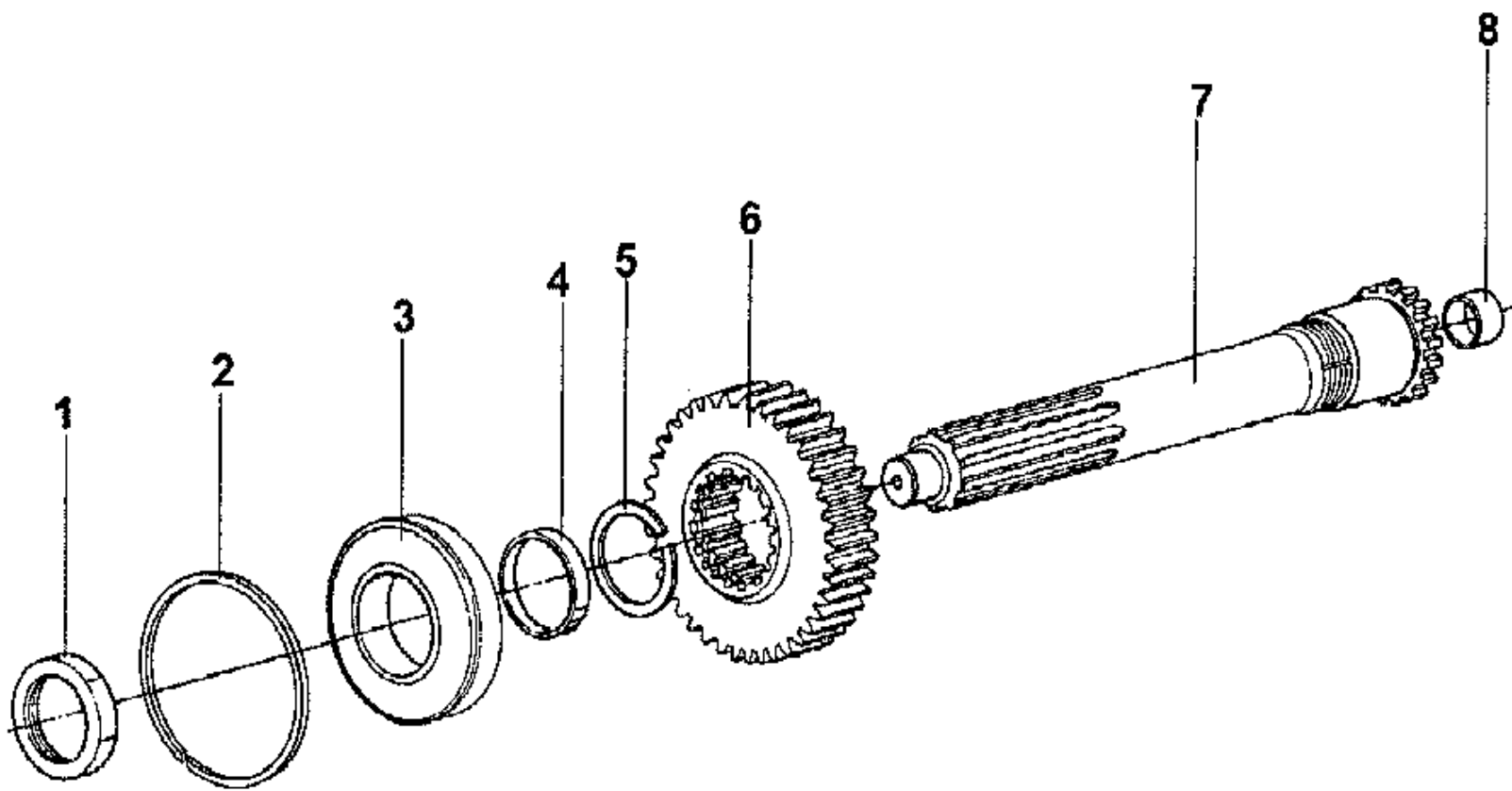
No	Number of part	Quantity	Description	Applicability	Designation ※
1	M16×1.5×45				Screw
2	19668				Retainer
3	62511				Flexibility roll pin
4	370309Y				Ball bearing
5	C01021				Snap ring
6	19198				Stop ring
7	JS180T-1701056				C/S driven gear
8	JS150T-1701055				Spacer
9	14317				Snap ring
10	JS180T-1701051				Gear C/S 3rd gear
11	JS150T-1701050				Gear C/S 2nd gear
12	JS150T-1701049				Gear C/S 1st gear
13	19673				Cotter
14	X-6-E				Key
15	JS150T-1701048				Counter shaft
16	102308E				Roller bearing

※ C/S—Counter shaft

C4-4

9JS150T CLUTCH SHAFT/一轴总成

Fig. C4-4



C4-4

9JS150T CLUTCH SHAFT/一轴总成

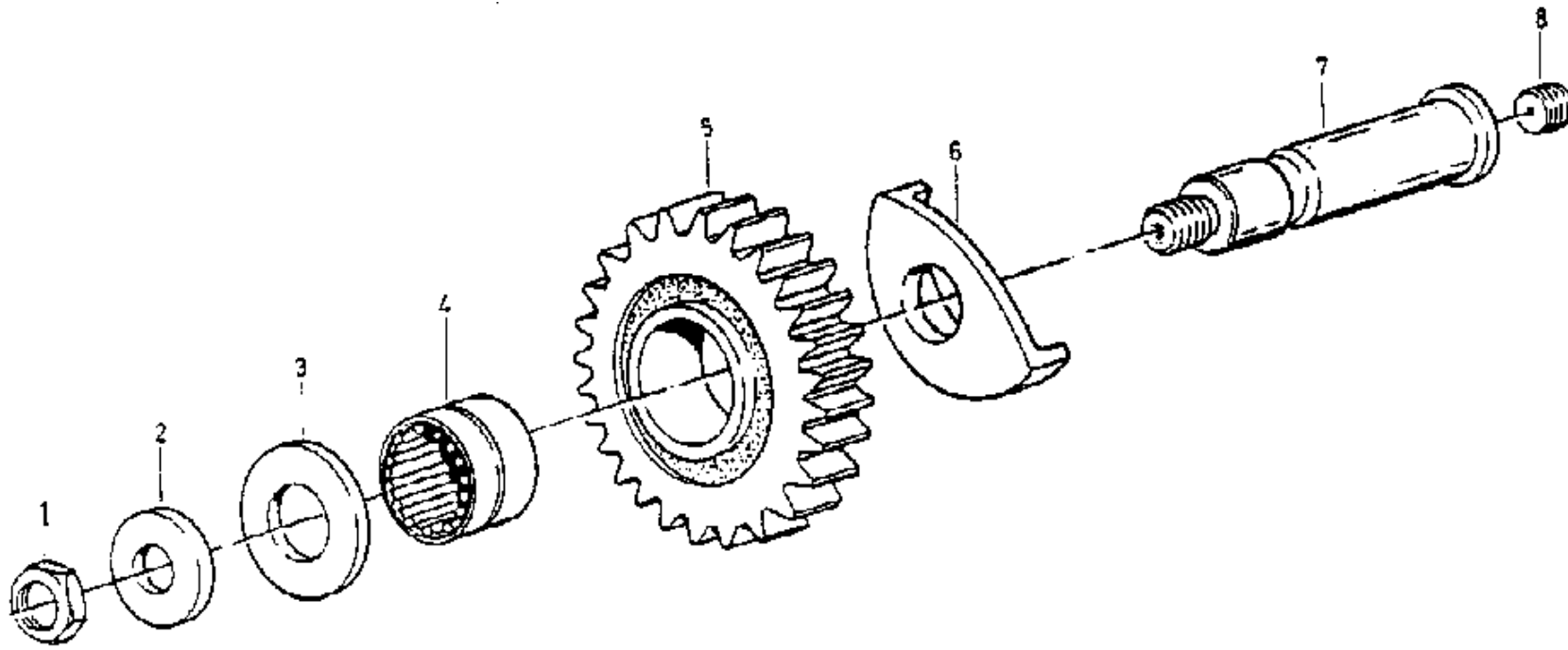
No	Number of part	Quantity	Description	Applicability	Designation
1	JS180A-1701036	1			Nut
2	C01021	1			Stop ring
3	150212K	1			Ball bearig
4	16463	1			Spacer
5	14750	1			Stop ring
6	JS150T-1701031	1			Gear input shaft
7	19694	1			Input shaft
8	JS180-1701030-1	1			Bushing



C4-5

9JS150T REVERSE SHAFT/倒档轴

Fig. C4-5



C4-5

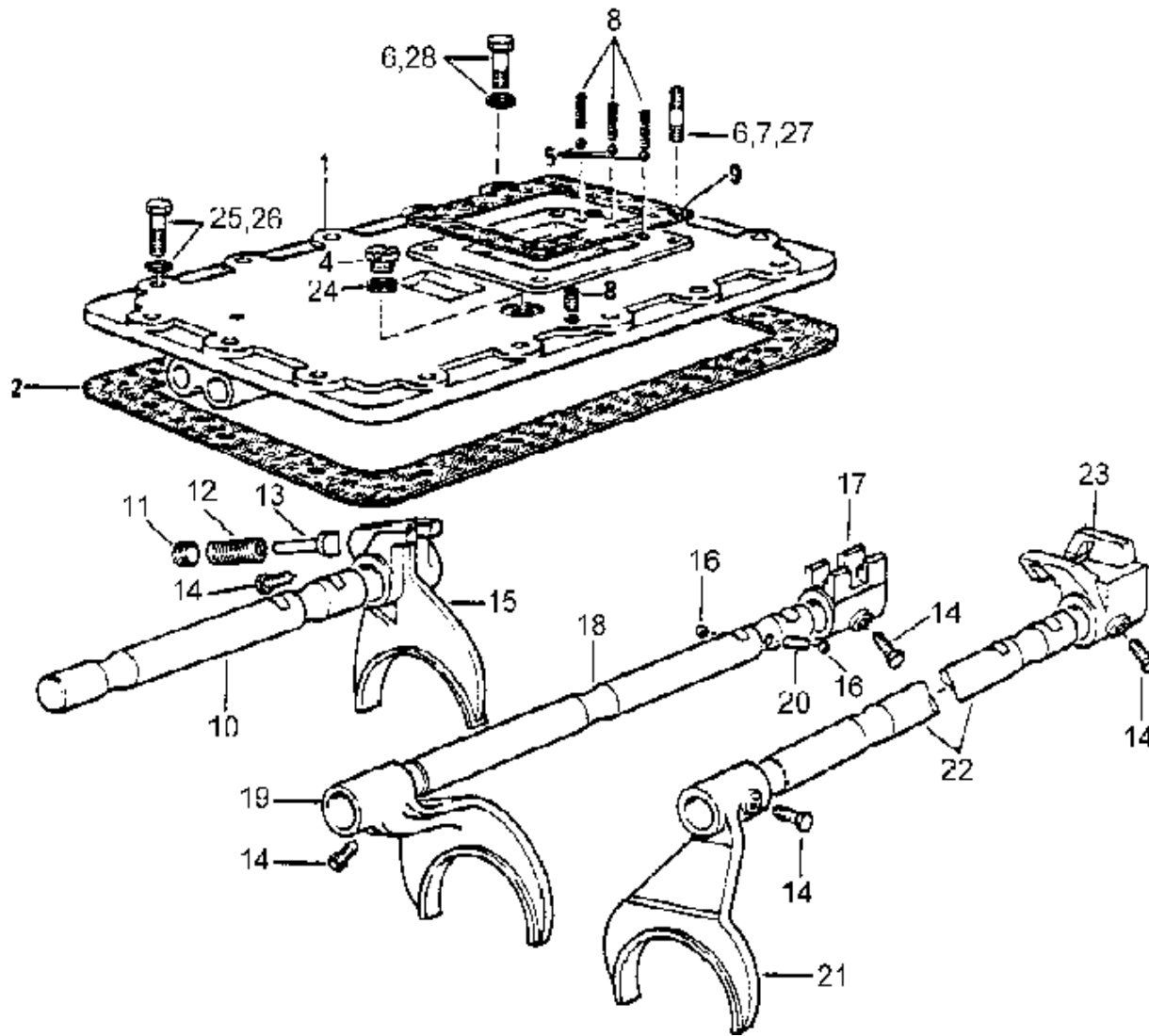
9JS150T REVERSE SHAFT/倒档轴

No	Number of part	Quantity	Description	Applicability	Designation
1	M16×1.5	2			Nut
2	14283	2			Washer
3	14282	2			Washer
4	14287	2			Roller bearing
5	16757	2			Reverse gear idle
6	16403	2			Washer
7	16405	2			Reverse shaft
8	M12×12	2			Screw

C4-6

9JS150T SWITCH GEAR/换档机构

Fig. C4-6



C4-6

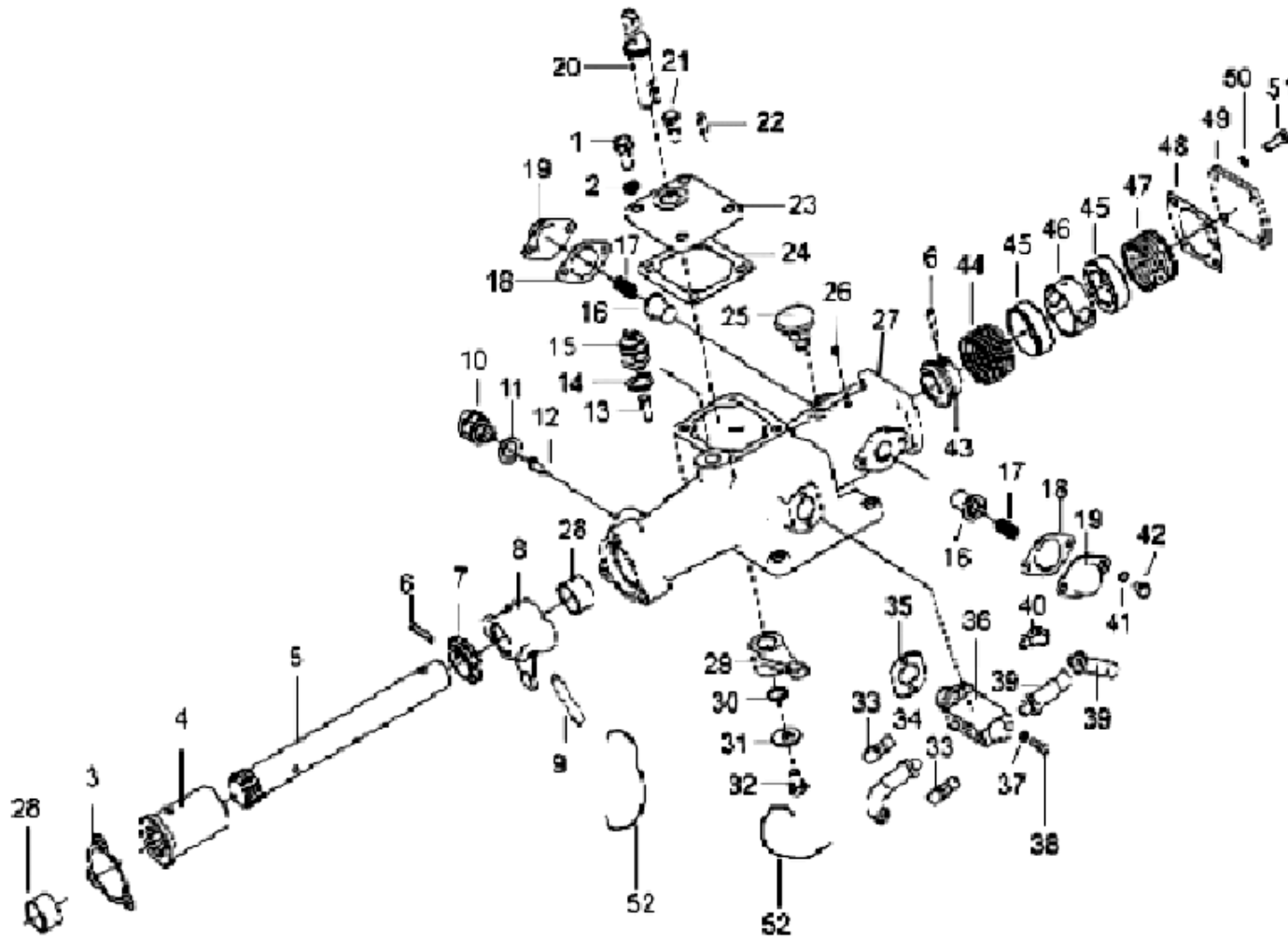
9JS150T SWITCH GEAR/换档机构

No	Number of part	Quantity	Description	Applicability	Designation
1	JS130T-1702015	1			Cover
2	14918	1			Gasket
3	M10×35	2			Screw
3	Q40310	2			Spring washer
4	Q614B10	1			Plug
5	1/2"	3			Steel ball
6	11066	4			Stud
7	X-1-603	2			Nut
7	Q40310	2			Spring washer
8	F96084	3			Spring
9	1642	1			Gasket
10	JS150T-1702064	1			Yoke shaft low/reverse gear
11	8968	1			Plug
12	2510738	1			Spring
13	F99671	1			Plug
14	3220	5			Screw
15	JS150T-1702054	1			Shifting fork
16	3/4"	2			Steel ball
17	JS150T-1702052	1			Shifting block 1/2 gear and 5/6 gear
18	JS150T-1702065	1			Yoke shaft 1/2 gear
19	JS150T-1702055	1			Shifting fork 1/2 gear
20	1634	1			Locking pin
21	JS150T-1702056	1			Shifting fork 3/4 gear
22	JS150T-1702066	1			Yoke shaft 3/4 gear
23	F99589	1			Shifting block 1/2 gear and 5/6 gear
24	20815	2			Lifting eye
25	M10×32	12			Screw
25	Q40310	12			Spring washer
26	M10×32	2			Screw
26	Q40310	2			Spring washer
27	Q351B10	2			Nut
28	Q361B10	2			Nut

C4-7

9JS150T DOUBLE H OPERATION/双H换挡控制机构

Fig. C4-7



C4-7

9JS150T DOUBLE H OPERATION/双H换挡控制机构

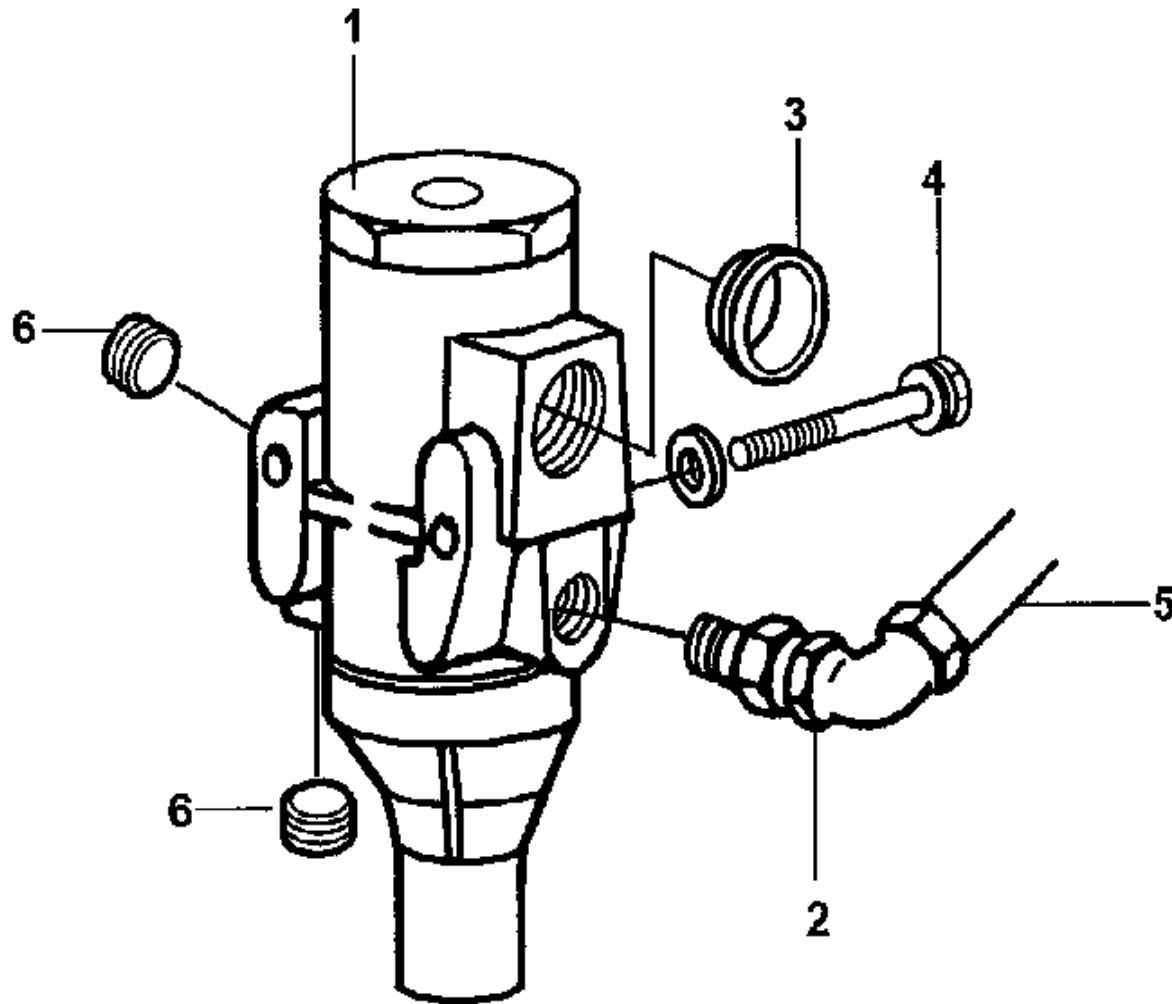
No	Number of part	Quantity	Description	Applicability	Designation
1	Q150B1025	2			Screw
2	Q40310	2			Spring washer
3	C03034-1	1			Gasket
4	C03031-1	1			Sleeve
5	F99679-8	1			Gearshift shaft
6	Q5000635	2			Flexibility roll pin
7	F99681	1			shift block for reverse switch
8	F99585-1	1			Shift finger
9	C03030	1			Roll pin
10	9912710041	1			Pressure switch(neutral position)
11	Q72318T5	1			Seal ring
12	F99702-1	1			Pin
13	15899	1			Pin
14	C03015	1			Seal ring
15	79100710068	1			Pressure switch(reverse gear)
16	F99670	2			Plug
17	F96037-2	2			Spring
18	F96140	2			Gasket
19	F96141	2			Spring cover
20	C03038-1	1			Shift joint
21	C03040-1	2			Screw
22	Q5510628	1			Key
23	C03036-1	1			Cover
24	C03037-7	1			Gasket
25	15276	1			Plug
26	C03004	1			Screw
27	F96194-6	1			Housing
28	F91345	2			Bush
29	C03035-1	1			Shift finger
30	HG4-333-66	1			O Ring
31	C03039-1	1			Washer
32	Q170B1016	1			Screw
33	7935	2			Plug
34	55521	1			Hose
35	F91353	1			Double H valve gasket
36	F99660	1			Double H valve
37	Q40306	2			Spring washer
38	M6×18	2			Screw

39	55506	2			Hose
40	12880	1			Angle screwing
41	Q40308	4			Spring washer
42	M8×12	4			Screw
43	F99675	1			Snap ring
44	F99983	1			Spring
45	F99673	2			Spring bracket
46	F99674	1			Spring sleeve
47	F99983	1			Spring
48	F99672	1			Gasket
49	F99666	1			Plate
50	Q40308	4			Spring washer
51	M8×22	4			Screw
52	1819				Wire

C4-8

AIR REGULATOR VALVE/空气滤清调节器

Fig. C4-8



C4-8

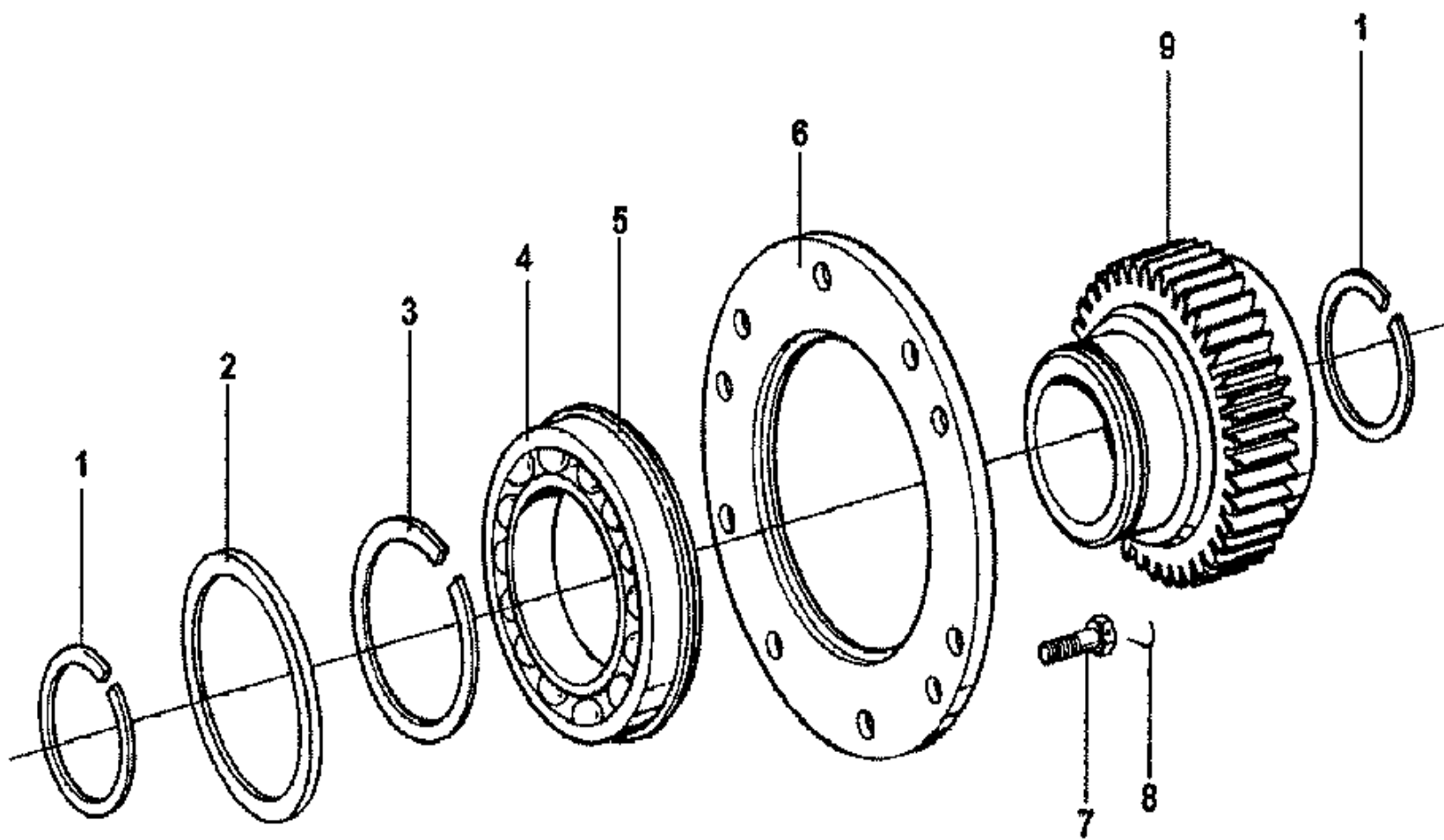
AIR REGULATOR VALVE/空气滤清调节器

No	Number of part	Quantity	Description	Applicability	Designation
1	A-4740	1			Air filter
2	12845	1			Angle screwing
3	54015	1			Plug
4	M6×60	2			Screw
4	GB93-87	2			Washer
5	55518	1			Pipe
6	Q618B01	2			Plug

C4-9

9JS150T AUX. GEARBOX DRIVE GEAR/副箱驱动齿轮

Fig. C4-9



C4-9

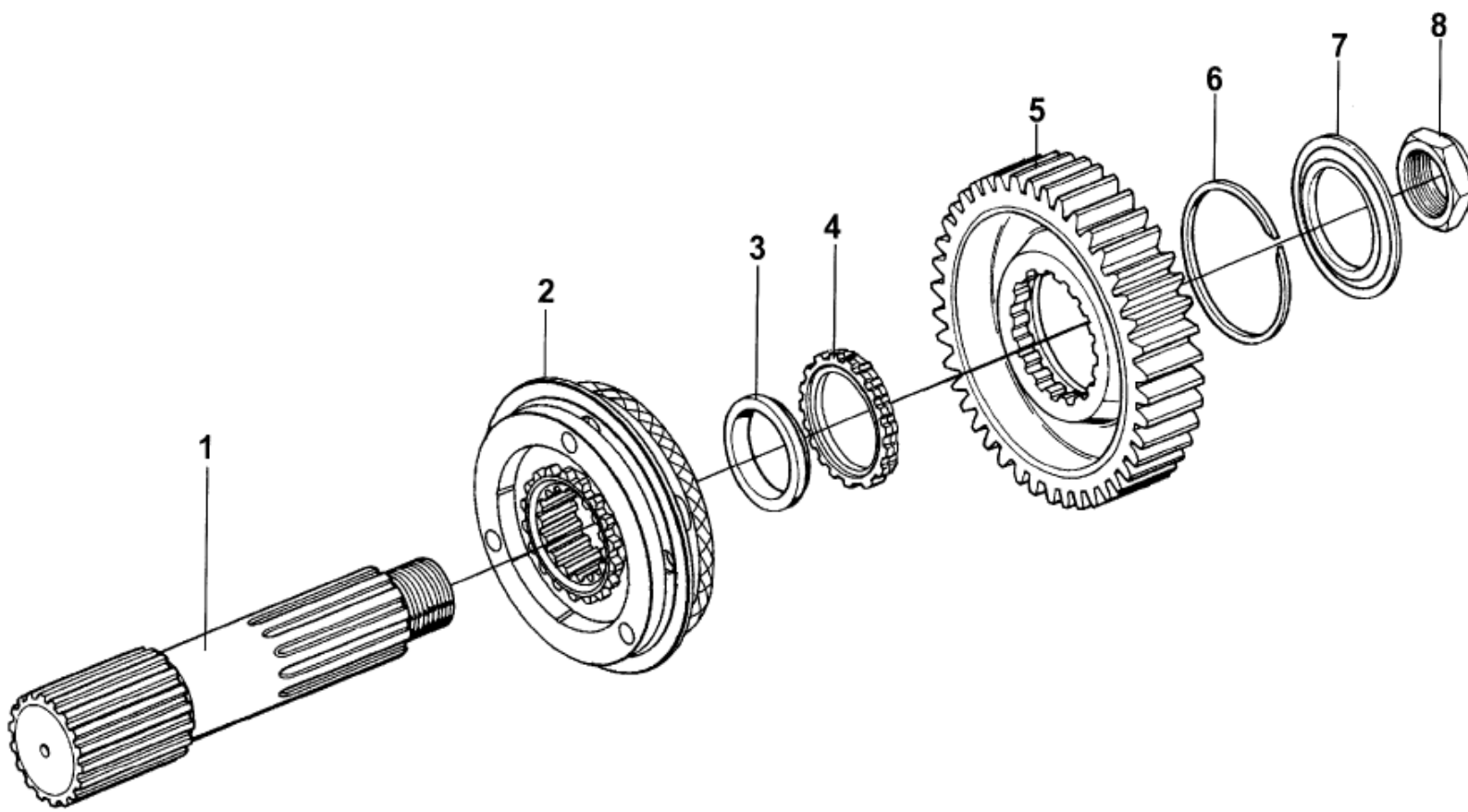
9JS150T AUX. GEARBOX DRIVE GEAR/副箱驱动齿轮

No	Number of part	Quantity	Description	Applicability	Designation
1	16763	2			Snap ring
2	C01033	1			Locking ring
3	16628	1			Snap ring
4	50118	1			Ball bearing
5	C01019	1			Snap ring
6	16138	1			Retainer
7	M10×22	6			Screw
8	1819				Wire
9	18869	1			Drive gear

C4-10

9JS150T AUX. GEARBOX OUTPUTSHAFT/副箱主轴总成

Fig. C4-10



C4-10

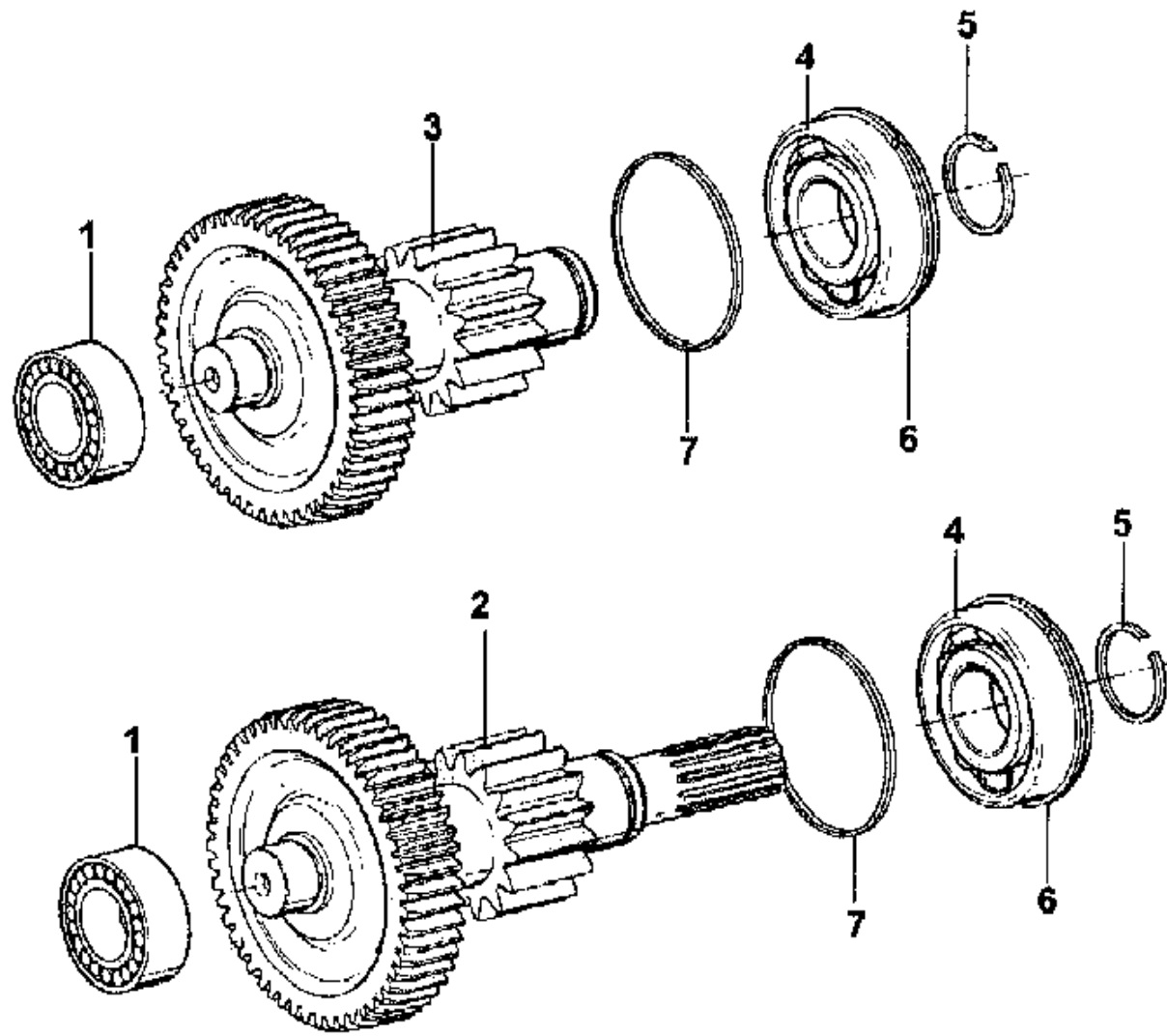
9JS150T AUX. GEARBOX OUTPUTSHAFT/副箱主轴总成

No	Number of part	Quantity	Description	Applicability	Designation
1	F99882	1			Main shaft
2	A-C09005	1			Synchronisation high-Low gear
3	14332	1			Main shaft washer
4	14331	1			Main shaft washer
5	19726	1			Reduction gear
6	14327	1			Snap ring
7	19466	1			Washer
8	F96006	1			Nut

C4-11

9JS150T AUX. GEARBOX LAY SHAFT/副箱中间轴总成

Fig. C4-11



C4-11

9JS150T AUX. GEARBOX LAY SHAFT/副箱中间轴总成

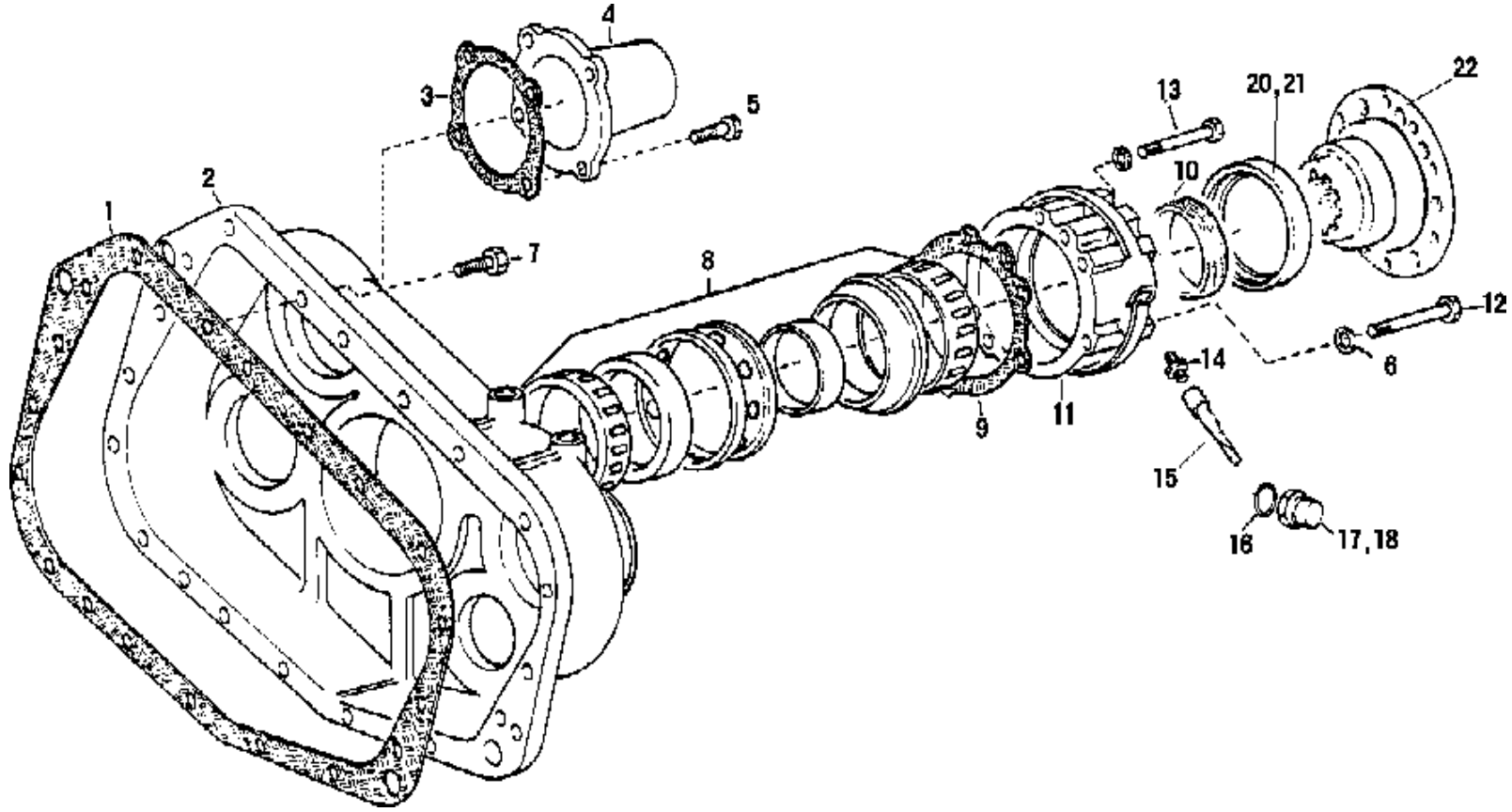
No	Number of part	Quantity	Description	Applicability	Designation
1	42307E	2			Roller bearing
2	A-5119	1			Long lay shaft C
3	A-C09019	1			Long lay shaft
4	192310E	2			Roller bearing
5	16723	2			Snap ring
6	C01020	2			Snap ring
7	17384	2			Washer



C4-12

9JS150T REAR COVER/后盖总成

Fig. C4-12



C4-12

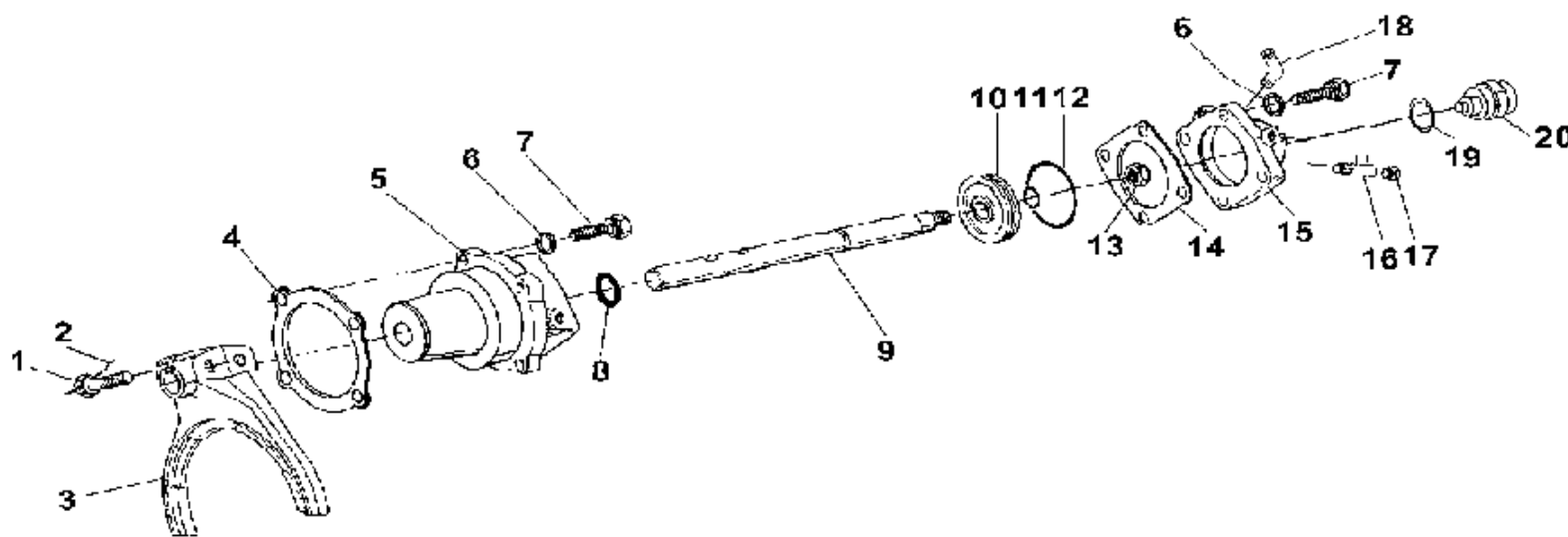
9JS150T REAR COVER/后盖总成

No	Number of part	Quantity	Description	Applicability	Designation
1	14335	1			Gasket
2	F99975	1			Housing
3	17352	1			Gasket
4	17376	2			Bearing cover
5	A-C09008	8			Screw
6	Q40310	22			Washer
7	M10	18			Screw
8	717813	1			Bearing
9	15532	1			Gasket
10	F91054	1			Drive gear for speed meter
11	F99967	1			Bearing cover
12	M10×75	5			Screw
13	A-C09009	1			Screw
14	7992	1			Sleeve of driven gear shaft
15	F91055	1			Driven gear
16	F96005	1			Gasket
17	F93060	1			Joint
18	X11412	1			Cover
19	19109	1			Oil seal
20	C01032	1			Oil seal
21	F96119	1			Cover
22	F99900-4	1			Φ165 Plane flange
22	F99900-5	1			Φ165 Toothed flange

C4-13

9JS150T SHIFTING CYLINDER/9JS150T换挡气缸

Fig. C4-13



C4-13

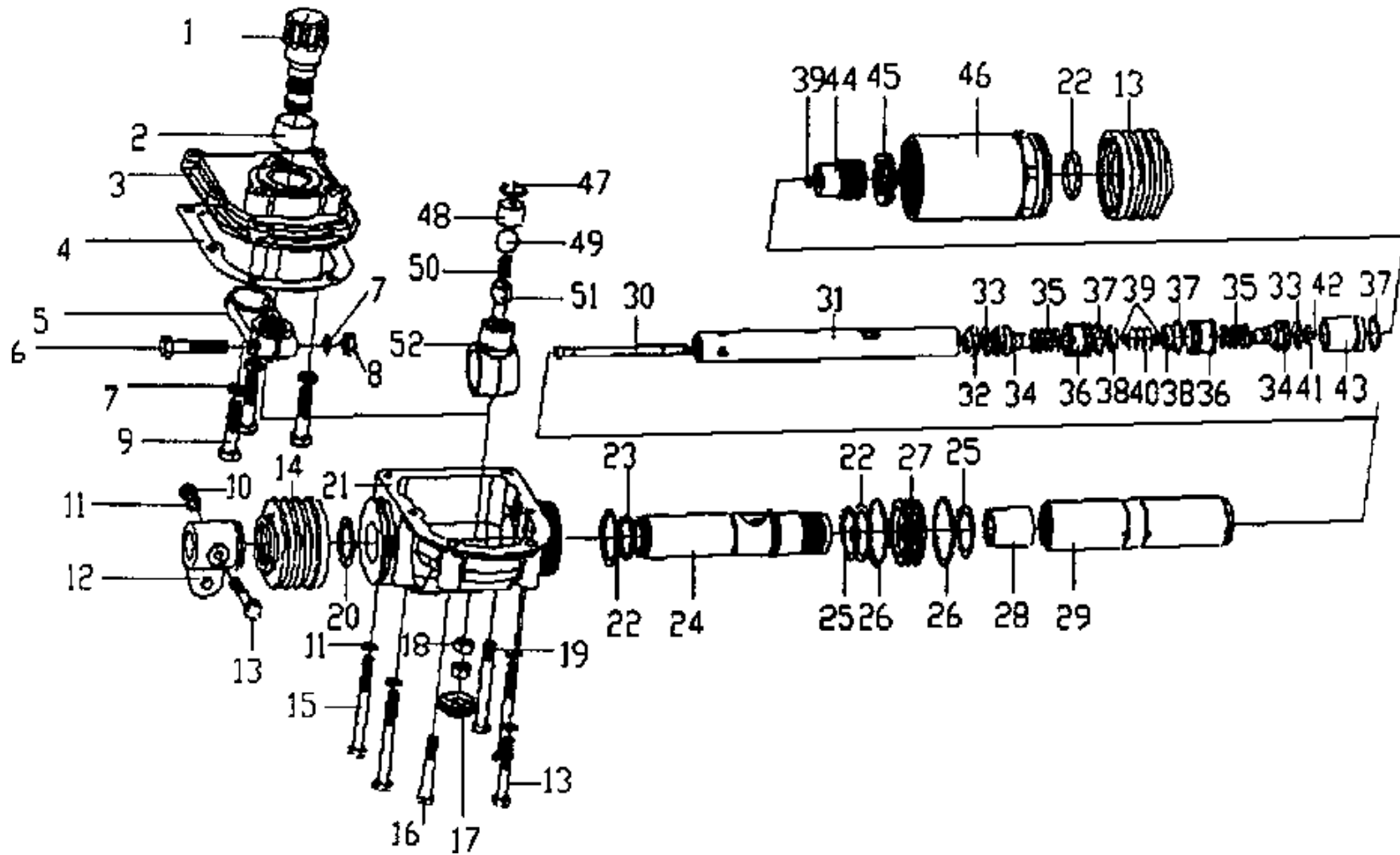
9JS150T SHIFTING CYLINDER/9JS150T换挡气缸

No	Number of part	Quantity	Description	Applicability	Designation
1	M12×1.25×50	2			Screw
2	1819				Wire
3	16775	1			Shift fork
4	14347	1			Gasket
5	16778	1			Range gear cylinder
6	Q40310	8			Spring washer
7	M10×32	8			screw
8	14765	1			O ring
9	16993	1			Range gear cylirder shift shaft
10	14341	1			Piston
11	14345	1			O ring
12	14344	1			O ring
13	M16×1.5	1			Nut
14	14349	1			Gasket
15	F99857	1			Cover
16	C03052	1			Nozzle
17	Q618B01	1			Plug
18	12880	1			Angle screwing
19	X11511	4			Washer
20	79100710069	1			Pressure switch

C4-14

ASSISTOR FOR SHIFTING GEAR/换档助力器

Fig. C4-14



C4-14

ASSISTOR FOR SHIFTING GEAR/换档助力器

No	Number of part	Quantity	Description	Applicability	Designation
1	ZHLQ-1703023-1	1			Connector
2	F91345	1			Bush
3	ZHLQ-1703025-3	1			Cover
4	ZHLQ-1703024	1			Gasket
5	ZHLQ-1703022	1			Lever
6	Q151B1050	1			Screw
7	Q40310	4			Spring washer
8	Q34110	1			Nut
9	Q150B1045	3			Screw
10	Q34008	1			Nut
11	Q40308	5			Spring washer
12	ZHLQ-1703049	1			Connector
13	Q150B0855	2			Screw
14	ZHLQ-1703020	2			Cover
15	Q150B0883	3			Screw
16	ZHLQ-1703013	1			Screw
17	ZHLQ-1703018	1			Rubber plug
18	ZHLQ-1703046	2			Nut
19	ZHLQ-1703026	1			Screw
20	ZHLQ-1703036	1			O ring
21	ZHLQ-1703011-1	1			Assistor for shifting gear
22	ZHLQ-1703034	3			O ring
23	Q43134	1			Circlip
24	ZHLQ-1703014	1			Connecting rod
25	Q43140	2			Circlip
26	ZHLQ-1703047	2			O ring
27	ZHLQ-1703016	1			Piston
28	ZHLQ-1703050	1			Bush
29	ZHLQ-1703017	1			Shaft for piston
30	ZHLQ-1703027	1			Air intake line
31	ZHLQ-1703042	1			Lever
32	ZHLQ-1703043	1			Plug
33	ZHLQ-1703031	2			O ring
34	ZHLQ-1703032	2			valve
35	ZHLQ-1703040	2			Spring
36	ZHLQ-1703037	2			Airpipe
37	ZHLQ-1703035	3			O ring
38	ZHLQ-1703038	2			Valve
39	ZHLQ-1703028	3			O ring
40	ZHLQ-1703039	1			Spring
41	ZHLQ-1703030	1			Washer

42	Q43207	1			Snap ring
43	ZHLQ-1703029	1			Sleeve
44	ZHLQ-1703021	1			Plug
45	ZHLQ-1703019	1			Nut
46	ZHLQ-1703015	1			Cylinder
47	Q43022	1			Circlip
48	ZHLQ-1703044	1			Spring plug
49	GB308-89	1			Steel ball
50	ZHLQ-1703045	1			Spring
51	ZHLQ-1703048	1			Screw
52	ZHLQ-1703012	1			Shift finger

C5-1 4×2, 6×2 PROPELLER SHAFTS/4×2, 6×2后桥传动轴

No	Number of part	Quantity	Description	Applicability	Designation
55	Q151C1230				Screw
56	190003888457				Nut
57	Q151B1440				Screw
58	Q40114				Washer
59	190003888458				Nut
60	WG9000310049				Screw
61	190003888459				Nut
62	Q151C1245			For toothed flange	Screw
63	190003888457			For toothed flange	Nut
※ PF165—Plane flange/平面法兰, Φd=Φ 165mm;TF165—Toothed flange/端面齿法兰, Φd=Φ 165mm					
PF180—Plane flange/平面法兰, Φd=Φ 180mm;TF180—Toothed flange/端面齿法兰, Φd=Φ 180mm					
※※ Example:ZZ1167M4611(W)/L include ZZ1167M4611/L and ZZ1167M4611W/L					

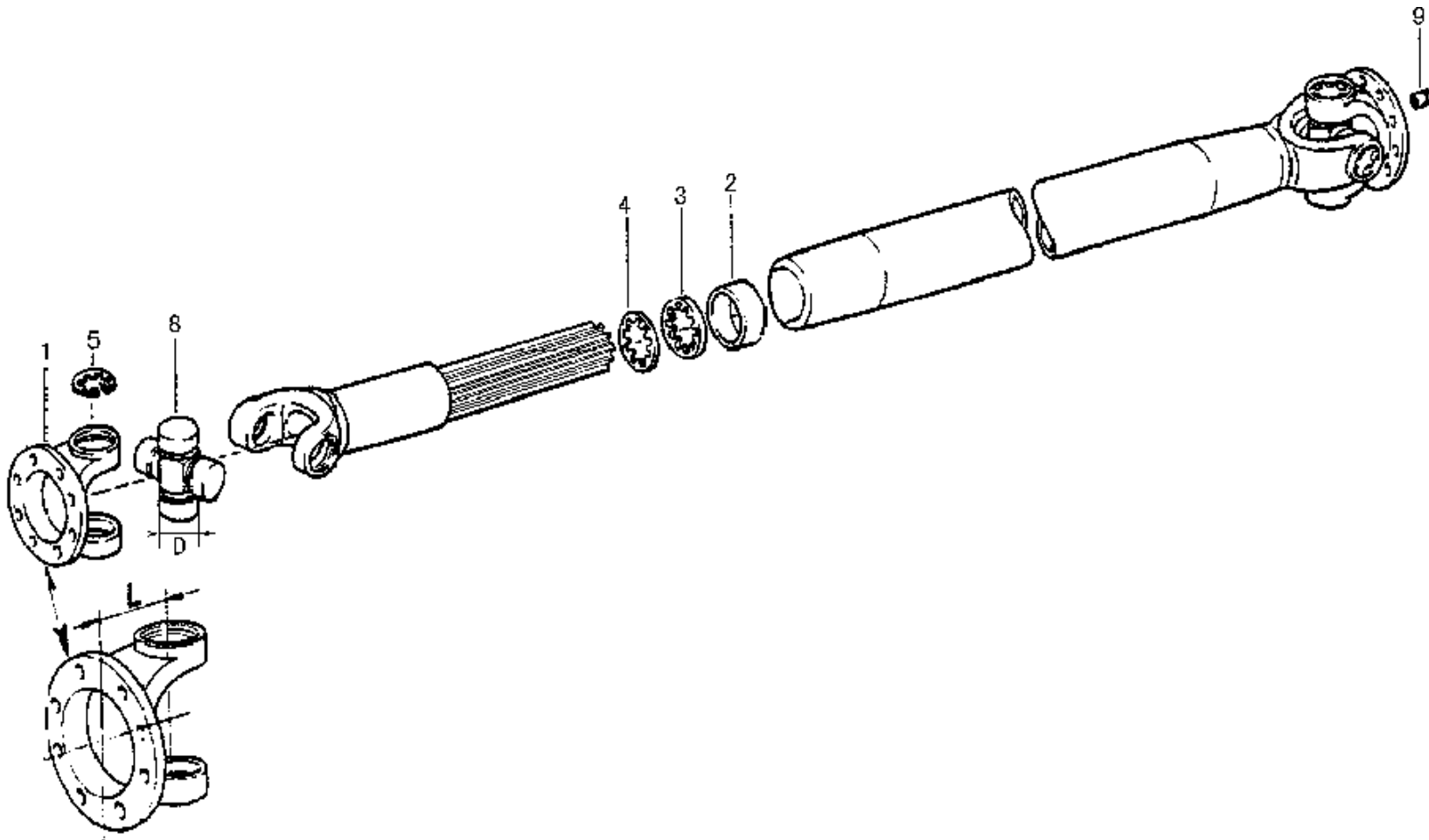
C5-2 6×4, 8×4 PROPELLER SHAFTS/6×4, 8×4传动轴

No	Number of part	Quantity	Description	Applicability	Designation
55	WG9000310049			For plane flange	Screw
55	Q151C1245			For toothed flange	Screw
56	190003888457			For toothed flange	Nut
56	190003888459			For plane flange	Nut
58	Q151B1440				Screw
59	Q40114				Washer
60	190003888458				Nut
61	Q151C1230				Screw
62	190003888457				Nut
Note: ※) Example:ZZ4257S3241W(V) include ZZ4257S3241W and ZZ4257S3241V					
ZZ1167M5611(W)/M include ZZ1167M5611/M and ZZ1167M5611W/M					
※※) Flange means output flange of gearbox and input flange of the first rear axle.TF165-toothed flange and Φd=Φ 165,PF180-plane flange and Φd=Φ 180					
※※※) The flange of WG9014310125 and AZ9716310590 is toothed flange ( Φd=Φ 165)					

C5-3

PROPELLER SHAFTS/后桥传动轴

Fig. C5-3



C5-3

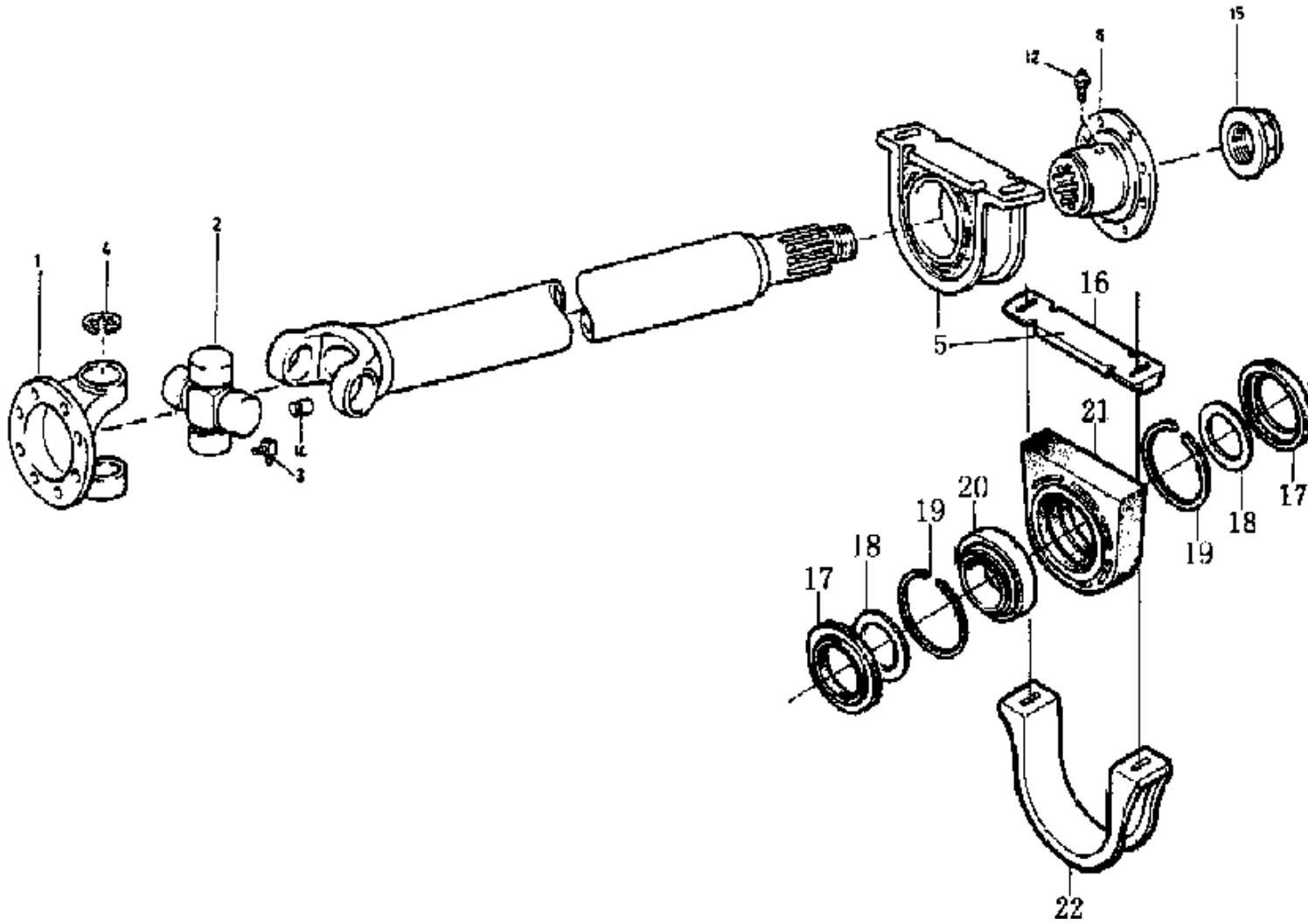
PROPELLER SHAFTS/后桥传动轴

No	Number of part	Quantity	Description	Applicability	Designation
Φ 52 Propeller shaft with spider D. Φ 52					
1	26013314062	2			Φ 165 Plane Flange
1	AZ9113314062	2		Option	Φ 165 toothed flange
2	26013315024	1			Scraper
3	26013315023	1			Gasket
4	26013314022	8			Spacer
5	26013314063	8		Option	Circlip
5	26013314064	8		Option	Circlip
5	26013314065	8		Option	Circlip
5	26013314066	8		Option	Circlip
5	26013314068	8		Option	Circlip
8	26013314080	2			Spider
9	26013314098	1			Overpressure Valve
Φ 57 Propeller shaft with spider D. Φ 57					
1	19036311062	2			Φ 165 Plane Flange
1	AZ9136311062	2		Option	Φ 165 toothed flange
1	AZ9114311062	1		Option	Φ 180 Plane Flange
2	19036311024	1			Scraper
3	19036311023	1			Gasket
4	19036311022				Spacer
5	19036311063			Option	Circlip
5	19036311064			Option	Circlip
5	19036311065			Option	Circlip
5	19036311066			Option	Circlip
5	19036311067			Option	Circlip
8	19036311080	2			Spider
9	26013311098	1			Overpressure Valve
Φ 62 Propeller shaft with spider D. Φ 62					
1	AZ9115311010	2			Φ 180 toothed Flange
2	AZ9115311055	1			Scraper
3	AZ9115311053	1			Gasket
4	AZ9115311052	1			Spacer
5	AZ9115311063			Option	Circlip
5	AZ9115311064			Option	Circlip
5	AZ9115311065			Option	Circlip
5	AZ9115311066			Option	Circlip
5	AZ9115311067			Option	Circlip
8	AZ9115311060	2			Spider
9	26013311098	1			Overpressure Valve

C5-4

INTERMEDIATE SHAFTS/中间传动轴

Fig. C5-4



C5-4

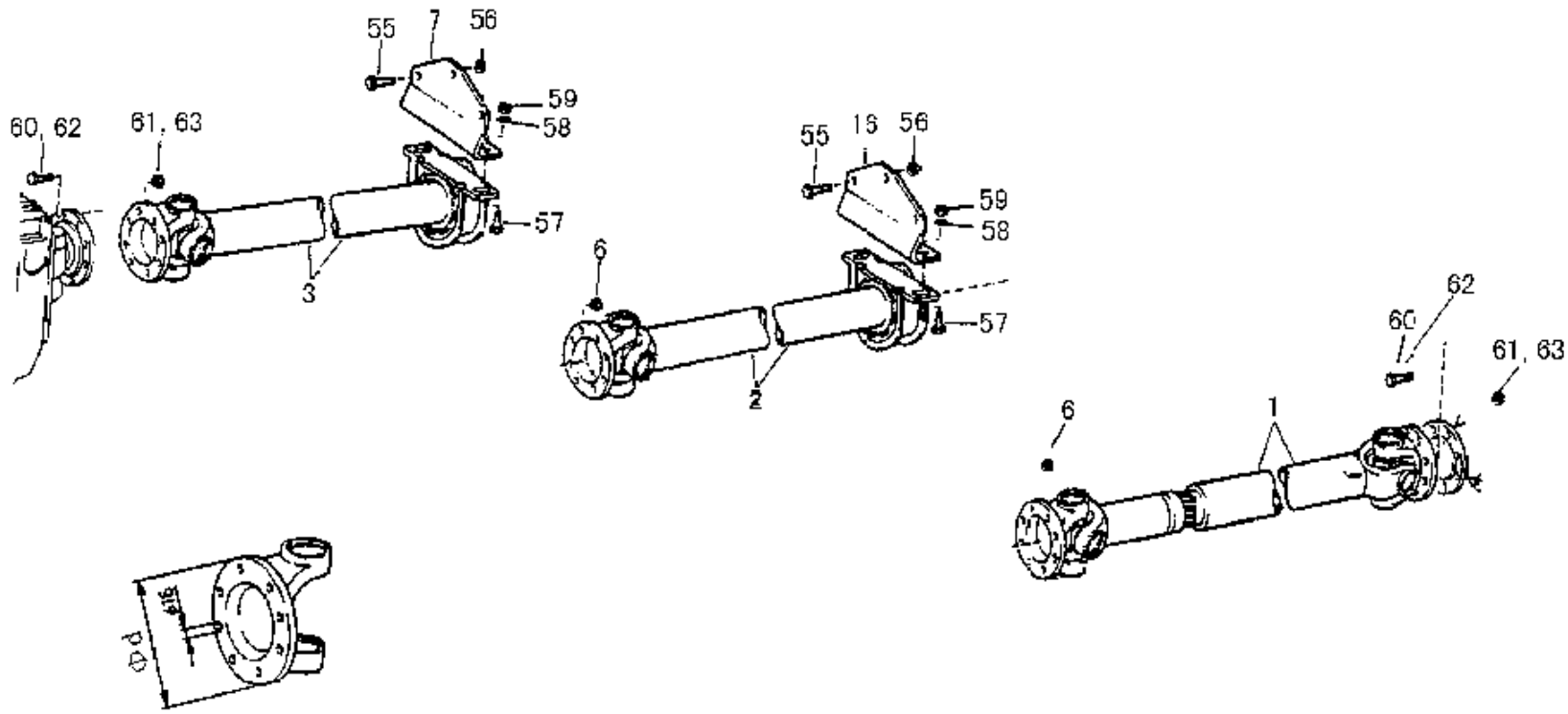
INTERMEDIATE SHAFTS/中间传动轴

No	Number of part	Quantity	Description	Applicability	Designation
Φ 52 Inter mediate shaft wath spider D. Φ 52					
1	26013314062	1			Φ 165 Plane Flange
1	AZ9113314062	1			Φ 165 toothed flange
2	26013314080	1			Spider
4	26013314063				Circlip
4	26013314064				Circlip
4	26013314065				Circlip
4	26013314066				Circlip
4	26013314067				Circlip
5	26013314030	1		Include 16~22	Bearing Assembly
6	26013314051	1			Plane flange Φ 165
12	Q700B01	1			Grease Nipple
15	26013314052	1			Nut
16	26013314042	1			Plate
17	26013314032	2			Gasket
18	26013314033	2			Scraper
19	26013314037	2			Circlip
20	26013314045	1			Bearing
21	26013314035	1			Bearing assembly
22	26013314020	1			Connecting plate
Φ 57 Inter mediate shaft wath spider D. Φ 57					
1	19036311062	1			Φ 165 Plane Flange
1	AZ9114311062	1	Option		Φ 180 Plane Flange
1	AZ9136311062	1	Option		Φ 165 toothed flange
2	19036311080	1			Spider
4	19036311063		Option		Circlip
4	19036311064		Option		Circlip
4	19036311065		Option		Circlip
4	19036311066		Option		Circlip
4	19036311067		Option		Circlip
5	26013314030	1			Bearing Assemble
6	26013314051	1			Φ 165 plane flange
6	AZ9114314051	1			Φ 180 plane flange
12	Q700B01	1			Grease Nipple
15	26013314052	1			Nut
16	26013314042	1			Plate
17	26013314032	2			Gasket
18	26013314033	2			Scraper
19	26013314037	2			Circlip
20	26013314045	1			Bearing
21	26013314035	1			Bearing assembly
22	26013314020	1			Connecting plate

C5-1

4×2, 6×2 PROPELLER SHAFTS/4×2, 6×2后桥传动轴

Fig. C5-1



C5-1

4×2, 6×2 PROPELLER SHAFTS/4×2, 6×2后桥传动轴

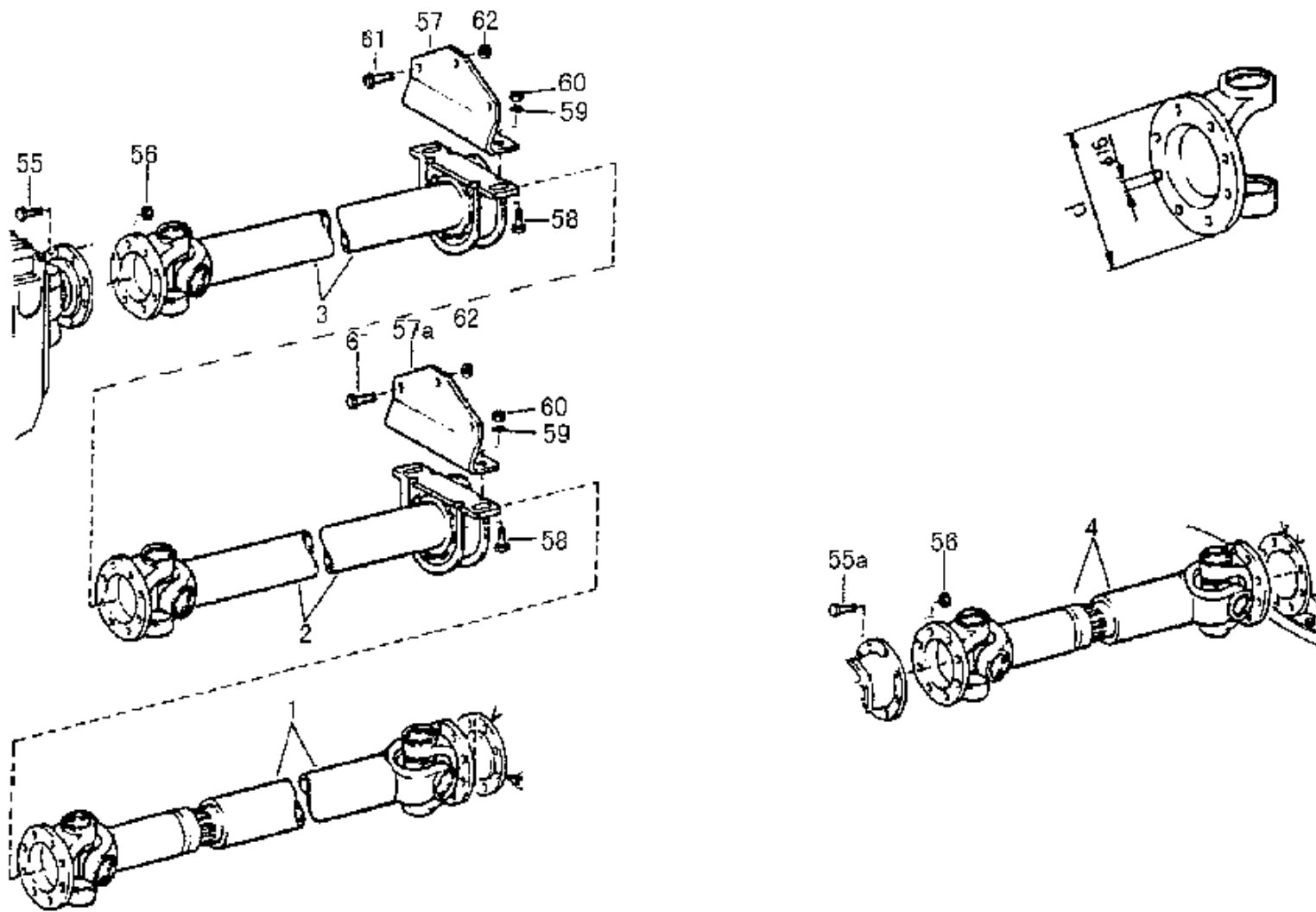
No	※※ 车型/ vehicle model	适应范围/Applicability ※			传动轴1 /Propeller shaft 1
		变速器 /Gear box	驱动桥 /Drive axle	连接法兰/Flange	
1	ZZ1167M4611(W)/L	RT11509C	HW1667	PF165	AZ9638310001
		8JS100B	HW1667	PF165	AZ9638310001
		QJS6-120	HW1667	PF165	AZ9638310001
2	ZZ1167M4611(W)/M	RT11509C	HW1667	PF165	AZ9638310001
		9JS119	HW1667	PF165	AZ9638310001
		QJS-150GP	HW1667	PF165	AZ9638310001
		QJS-111GP	HW1667	PF165	AZ9638310001
3	ZZ1167M5611(W)/L	RT11509C	HW1667	PF165	AZ9238311930
		8JS100B	HW1667	PF165	AZ9238311930
4	ZZ1167M5611(W)/M	RT11509C	HW1667	PF165	AZ9238311930
		9JS119	HW1667	PF165	AZ9238311930
		QJS6-120	HW1667	PF165	AZ9238311930
5	ZZ3167M4611/M ZZ3167M4611/L	RT11509C	STEYR	PF165	AZ9114310018
6	ZZ4187M3511W(V)/L ZZ4187M3511W(V)/M	RT11509C	HW1667	PF165	AZ9219311676
		9JS119	HW1667	PF165	AZ9219311676
		QJS-150GP	HW1667	PF165	199118310036
		QJS-111GP	HW1667	PF165	199118310036
7	ZZ4257M3231W(V)/L	RT11509C	STEYR	PF165	199114310093
		9JS119	STEYR	PF165	199114310093
		QJS6-120	STEYR	PF165	AZ9115310001
8	ZZ4257M3231W(V)/M	RT11509C	STEYR	PF165	199114310093
		9JS119	STEYR	PF165	199114310093
8	ZZ4257M3231W(V)/M	QJS-150GP	STEYR	PF165	AZ9638310001
		QJS-111GP	STEYR	PF165	AZ9638310001
9	ZZ4187N3511W(V)	RT11509C	HW1667	TF165	AZ9113311676
		QJS-150GP	HW1667	TF165	AZ9113311610
		RT11509C	STEYR	TF165	AZ9113310100
10	ZZ4257N3231W(V)	RT11509C	STEYR	TF165	AZ9113310103
		QJS-150GP	STEYR	TF165	AZ9113311400
11	ZZ4187S3511W(V)	RT11509C	HW1667	TF180	AZ9719311690
		9JS150T	HW1667	TF180	AZ9719311690
		QJS-150GP	HW1667	TF180	AZ9115311580
12	ZZ4257S3231W(V)	RT11509C	STEYR	TF180	AZ9115311110
		9JS150T	STEYR	TF180	AZ9115311110
		QJS-150GP	STEYR	TF180	AZ9632311375
13	ZZ4187V3511W(V)	9JS180	HW1667	TF180	AZ9632311645
14	ZZ1257M3231/L	RT11509C	STEYR	TF165	AZ9113311441
		8JS100B	STEYR	TF165	AZ9113311441
		QJS6-120	STEYR	TF165	AZ9113311470
15	ZZ1257M3231/M	RT11509C	STEYR	TF165	AZ9113311441
		9JS119	STEYR	TF165	AZ9113311441
		QJS-150GP	STEYR	TF165	AZ9113311355
		QJS-111GP	STEYR	TF165	AZ9113311355



C5-2

6×4, 8×4 PROPELLER SHAFTS/6×4, 8×4传动轴

Fig. C5-2



C5-2

6×4, 8×4 PROPELLER SHAFTS/6×4, 8×4传动轴

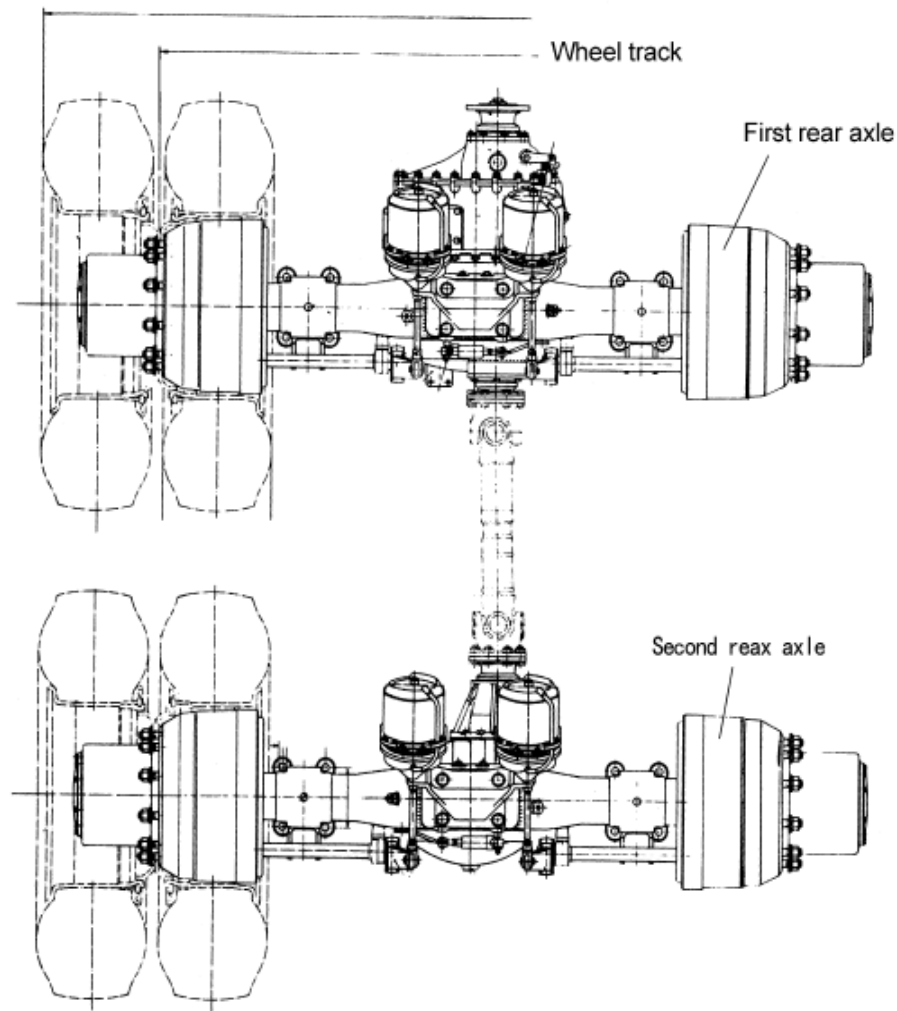
No	车型/※vehicle model	适应范围/Applicability ※※			传动轴1 /Propeller shaft 1
		变速器 /Gear box	驱动桥/Drive axle	法兰/Flange	
1	ZZ1257M3241/L	RT11509C	STEYR	PF165	JS1943110105
		8JS100B	STEYR	PF165	JS1943110105
		QJS6-120	STEYR	PF165	JS1943110106
2	ZZ1257M3641(W)/L ZZ3257M3641/L ZZ3257M3641/M	RT11509C	STEYR	PF165	AZ9219311676
		8JS100B	STEYR	PF165	AZ9219311676
		QJS6-120	STEYR	PF165	AZ9112310090
3	ZZ1257M3847W/L	RT11509C	STEYR	PF165	AZ9114311880
		8JS100B	STEYR	PF165	AZ9114311880
		QJS6-120	STEYR	PF165	199114310088
4	ZZ1257M4341W(V)/L	RT11509C	HW1697	PF165	AZ9114310990
		8JS100B	HW1697	PF165	AZ9114310990
		QJS6-120	HW1697	PF165	AZ9114310990
		RT11509C	STEYR	PF165	AZ9123311101
5	ZZ1257M4641W(V)/L	RT11509C	HW1697	PF165	199114310197
		8JS100B	HW1697	PF165	199114310197
		QJS6-120	HW1697	PF165	199114310197
		RT11509C	STEYR	PF165	AZ9114310011
6	ZZ1257M5241W(V)/L	RT11509C	HW1697	PF165	AZ9114311512
		8JS100B	HW1697	PF165	AZ9114311512
		QJS6-120	HW1697	PF165	AZ9114311512
		RT11509C	STEYR	PF165	AZ9114311629
7	ZZ1257M5841W(V)/L	RT11509C	HW1697	PF165	199114310082
		8JS100B	HW1697	PF165	199114310082
7	ZZ1257M5841W(V)/L	QJS6-120	HW1697	PF165	199114310082
		RT11509C	STEYR	PF165	AZ9123311101
8	ZZ1257M3241/M	RT11509C	STEYR	PF165	JS1943110105
		5S-150GP	STEYR	PF165	199114310197
9	ZZ1257M3641(W)/M	RT11509C	STEYR	PF165	AZ9219311676
		5S-150GP	STEYR	PF165	199118310036
10	ZZ1257M3841W/M	RT11509C	STEYR	PF165	AZ9114311880
		5S-150GP	STEYR	PF165	WG9114310016
11	ZZ1257M4341W(V)/M	RT11509C	HW1697	PF165	AZ9114310990
		QJS6-120	HW1697	PF165	AZ9114310990
		RT11509C	STEYR	PF165	AZ9123311101
12	ZZ1257M4641W(V)/M ZZ1257N4641W(V)	RT11509C	HW1697	PF165	199114310197
		QJS6-120	HW1697	PF165	199114310197
		RT11509C	STEYR	PF165	AZ9114310011

13	ZZ1257M5241W(V)/M	RT11509C	HW1697	PF165	AZ9114311512
		QJ5S-150GP	HW1697	PF165	AZ9114311512
		RT11509C	STEYR	PF165	AZ9114311629
14	ZZ1257M5841M	RT11509C	HW1697	PF165	199114310082
		QJ5S-150GP	HW1697	PF165	199114310082
		RT11509C	STEYR	PF165	AZ9123311101
15	ZZ1257N3241	RT11509C	STEYR	TF165	AZ9132310071
		QJ5S-150GP	STEYR	TF165	AZ9113311200
16	ZZ1257N3641	RT11509C	STEYR	TF165	AZ9113311676
16	ZZ1257N3641	QJ5S-150GP	STEYR	TF165	AZ9113311591
17	ZZ1257N4341W(V) ZZ3257N4341W	RT11509C	HW1697	PF165	AZ9114310990
		QJ5S-150GP	HW1697	PF165	AZ9114310990
		RT11509C	STEYR	PF165	AZ9123311101
18	ZZ1257N3841W	RT11509C	STEYR	TF165	AZ9114311880
		QJ5S-150GP	STEYR	TF165	AZ9113310100
19	ZZ1257S3241	QJ5S-150GP	STEYR	TF180	AZ9115311170
		RT11509C	STEYR	TF180	AZ9232311285
20	ZZ1257S4341W(V)	QJ5S-150GP	HW1697	PF180	AZ9114310114
		RT11509C	HW1697	PF180	AZ9114310114
		QJ5S-150GP	STEYR	PF180	AZ9114311117
21	ZZ1257S4641W(V)	QJ5S-150GP	HW1697	PF165	199114310197
		RT11509C	HW1697	PF165	199114310197
		QJ5S-150GP	STEYR	PF165	AZ9114310011
22	ZZ1317M3261W/L	8JS100B	STEYR	PF165	AZ9114311441
		RT11509C	STEYR	PF165	AZ9114311441
		S6-120	STEYR	PF165	AZ9114311441
23	ZZ1317M3861W/L	8JS100B	HW1697	PF165	AZ9114310019
		RT11509C	HW1697	PF165	AZ9114310019
		S6-120	HW1697	PF165	AZ9114310019
		FAST	STEYR	PF165	AZ9114311880
24	ZZ1317M4267W(V)/L ZZ1317M4267W(V)/M ZZ1317N4267W(V)	FAST	HW1697	PF165	199114310082
		FAST	STEYR	PF165	AZ9123311101
25	ZZ1317M4661W(V)/L ZZ1317M4661W(V)/M	FAST	HW1697	PF165	AZ9114310990
		S6-120	HW1697	PF165	AZ9114310990
		FAST	STEYR	PF165	AZ9123311101
26	ZZ1317M3261W/M	FAST	HW1697	PF165	JS1943110106
		QJ5S-150GP	HW1697	PF165	JS1943110106
		FAST	STEYR	PF165	AZ9114311441
27	ZZ1317M3861W(V)/M	FAST	HW1697	PF165	AZ9114310019
		FAST	STEYR	PF165	AZ9114311880
28	ZZ1317N3261(W)	FAST	STEYR	PF165	AZ9114311441
		QJ5S-150GP	STEYR	PF165	AZ9114311441
29	ZZ1317N4661W(V)	FAST	HW1697	PF165	AZ9114310990
		QJ5S-150GP	HW1697	PF165	AZ9114310990
		FAST	STEYR	PF165	AZ9123311101
30	ZZ1317S3261W	QJ5S-150GP	STEYR	PF165	AZ9114311441
		FAST	STEYR	PF165	AZ9114311441
31	ZZ1317S4661W(V)	QJ5S-150GP	HW1697	PF180	AZ9114310114
		FAST	HW1697	PF180	AZ9114310114
		QJ5S-150GP	STEYR	PF180	AZ9114311117
32	ZZ1387N30B1W(V) ZZ1387M30B1W(V)/M	FAST	HW1697	PF165	AZ9114310990
		QJ5S-150GP	HW1697	PF165	AZ9114310990
		FAST	STEYR	PF165	AZ9123311101
33	ZZ3257M2941/L ZZ3257M2941/M	FAST	STEYR	PF165	WG9114310091
		QJS6-120	STEYR	PF165	199114310092
34	ZZ3257M3241/L ZZ3257M3241/M	FAST	STEYR	PF165	AZ9114310011
		QJS6-120	STEYR	PF165	AZ9114310017
35	ZZ3257M3841/L ZZ3257M3841/M	FAST	STEYR	PF165	AZ9238311930
		QJS6-120	STEYR	PF165	AZ9114311951
36	ZZ3257M4641/L ZZ3257M4641/M	FAST	STEYR	PF165	AZ9114310011
37	ZZ3317M2861/M ZZ3317M2861/L	QJ5S-111GP	STEYR	PF165	WG9114310091
		FAST	STEYR	PF165	WG9114310091
38	ZZ3317M3061/L ZZ3317M3061/M	QJ5S-111GP	STEYR	PF165	AZ9114310012
		FAST	STEYR	PF165	AZ9114310012
39	ZZ3317M3261/L ZZ3317M3261/M	FAST	STEYR	PF165	AZ9114311441
		QJ5S-111GP	STEYR	PF165	AZ9114311441
40	ZZ4257M3241W(V)/L ZZ4257M3241W(V)/M	QJ5S-150GP	STEYR	PF165	AZ9114310012
		FAST	HW1697	PF165	199114310197
		QJ5S-111GP	HW1697	PF165	AZ9123311101
		FAST	STEYR	PF165	AZ9114310011
41	ZZ4257N3241W(V)	FAST	HW1697	TF165	AZ9113311200
		QJ5S-150GP	HW1697	TF165	AZ9113311113
		FAST	STEYR	TF165	AZ9113310102
42	ZZ4257S3241W(V)	QJ5S-150GP	HW1697	TF180	AZ9731311001
		FAST	HW1697	TF180	AZ9115311205
		QJ5S-150GP	STEYR	TF180	AZ9115311205
43	ZZ4257V3241W(V)	9JS180	HW1697	TF180	AZ9632311170

C6-1

HOWO REAR DRIVE AXLE/后驱动桥总成

Fig. C6-1



C6-1

HOWO REAR DRIVE AXLE/后驱动桥总成

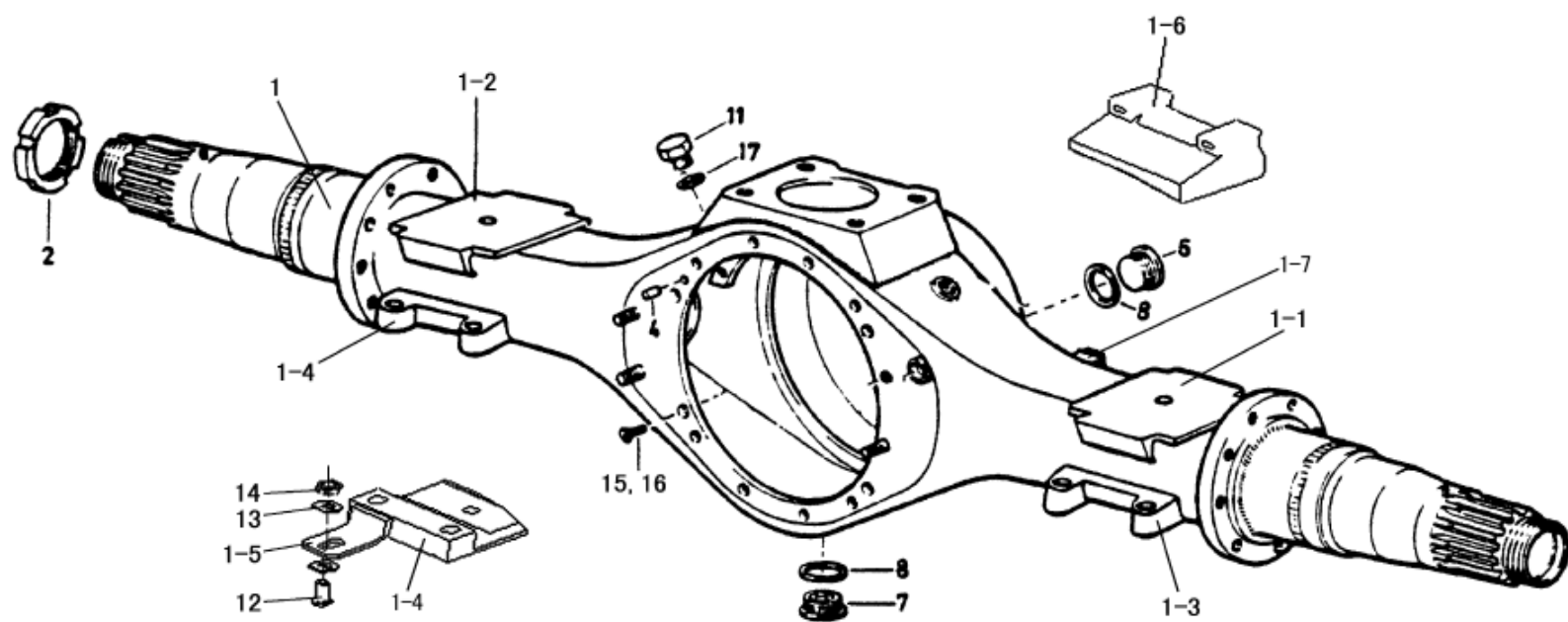
No	Number of part	Quantity	Description	Applicability	Designation ※
1	AH71361500210	1			HW1667 single reax axle (i=4.22,TF180)
2	AH71361500211	1			HW1667 single reax axle (i=4.22,TF165)
3	AH71361500212	1			HW1667 single reax axle (i=4.22,PF165)
4	AH71361500700	1			HW1667 single reax axle (i=3.73,PF165)
5	AH71361501200	1			HW1667 single rear axle (I=4.22,TF180,ABS)
6	AH71361501201	1			HW1667 single rear axle (I=4.22,TF165,ABS)
7	AH71361501202	1			HW1667 single rear axle (I=4.22,PF165,ABS)
8	AH71361500200	1			HW1667 single rear axle (I=4.22,TF180,ABS,SRAD)
9	AH71361500201	1			HW1667 single rear axle (I=4.22,TF165,ABS,SRAD)
10	AH71361500202	1			HW1667 single rear axle (I=4.22,PF165,ABS,SRAD)
11	AH71361401502	1			First rear axle of HW1697 double axle (I=4.22,PF165)
12	AH71361401506	1			First rear axle of HW1697 double axle (I=4.22,TF165)
13	AH71361401510	1			First rear axle of HW1697 double axle (I=4.22,TF180)
14	AH71361400502	1			First rear axle of HW1697 double axle (I=4.22,PF165,SRAD)
15	AH71361400506	1			First rear axle of HW1697 double axle (I=4.22,TF165,SRAD)
16	AH71361400508	1			First rear axle of HW1697 double axle (I=4.22,PF180,SRAD)
17	AH71361400510	1			First rear axle of HW1697 double axle (I=4.22,TF180,SRAD)
18	AH71361400522	1			First rear axle of HW1697 double axle (I=4.22,PF165,ABS)
19	AH71361400526	1			First rear axle of HW1697 double axle (I=4.22,TF165,ABS)
20	AH71361400610	1			First rear axle of HW1697 double axle (I=4.22,TF180,ABS)

21	AH71361400701	1			First rear axle of HW1697 double axle (I=3.73,PF165,ABS)
22	AH71361400512	1			First rear axle of HW1697 double axle (I=4.22,PF165,ABS,SRAD)
23	AH71361400516	1			First rear axle of HW1697 double axle (I=4.22,TF165,ABS,SRAD)
24	AH71361400420	1			Second rear axle of HW1697 double axle (I=4.22,TF165,ABS,SRAD,10×4)
25	AH71361400520	1			Second rear axle of HW1697 double axle (I=4.22,TF165,ABS,SRAD)
26	AH71361401420	1			Second rear axle of HW1697 double axle (I=4.22,TF165,ABS, 10×4)
27	Ah71361401520	1			Second rear axle of HW1697 double axle (I=4.22,TF165,ABS,)
28	AH71361400620	1			Second rear axle of HW1697 double axle (I=4.22, Φ 165TF)
29	AH71361400630	1			Second rear axle of HW1697 double axle (I=4.22, TF 165,10×4)
30	AH71361400702	1			Second rear axle of HW1697 double axle (I=3.73, TF 165)
※PF165,PF180 —— Φ 165, Φ 180 Plane input flange					
TF165,TF180 —— Φ 165, Φ 180Toothed input flange					
SRAD—— self rod adjusting device					

C6-2

REAR AXLE HOUSING/后桥壳

Fig. C6-2



C6-2

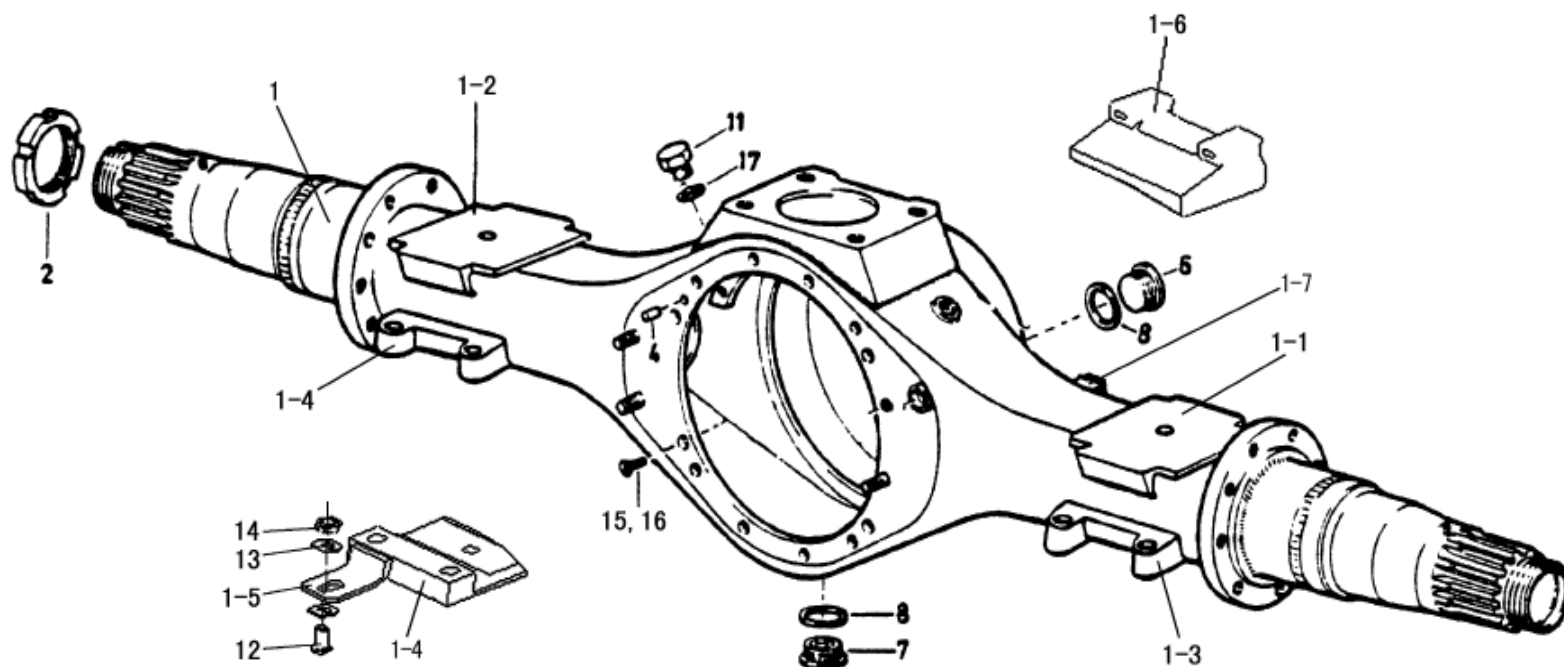
REAR AXLE HOUSING/后桥壳

No	Number of part	Quantity	Description	Applicability	Designation
1	AZ9761330065	1			HW1667 single rear axle housing
1	AZ9761330660	1			Second rear axle housing of HW1697 double axle
1-1	AZ9118330013	1			Upper base left
1-2	AZ9118330019	1			Upper base right
1-3	AZ9118330014	1			Bottom base left
1-4	AZ9118330020	1			Bottom base right
1-5	AZ9761336005	2			Support for sensor
1-6	AZ9761330002	1		For HW1697 second rear axle	Base for brace rod
1-7	AZ9118330015	1		For single rear axle	Bracket for stabilizer
2	1227N1184	2			Inter adjusting nut
2a	1227P1186	2			Outer adjusting nut
6	181500010163	1			Screw
7	1586 330015	1			Magnet plug
8	Q72336	2			Gasket
11	199000330006	1			Breather
12	WG41X1090	2			Screw
13	WG1229N1626	4			Washer
14	WG40X1182	2			Locking nut
15	MS216060	8			Screw
15a	MS216120	6			Screw
16	MWA516	14			Washer

C6-3

FIRST REAR AXLE HOUSING/中桥壳

Fig. C6-3



C6-3

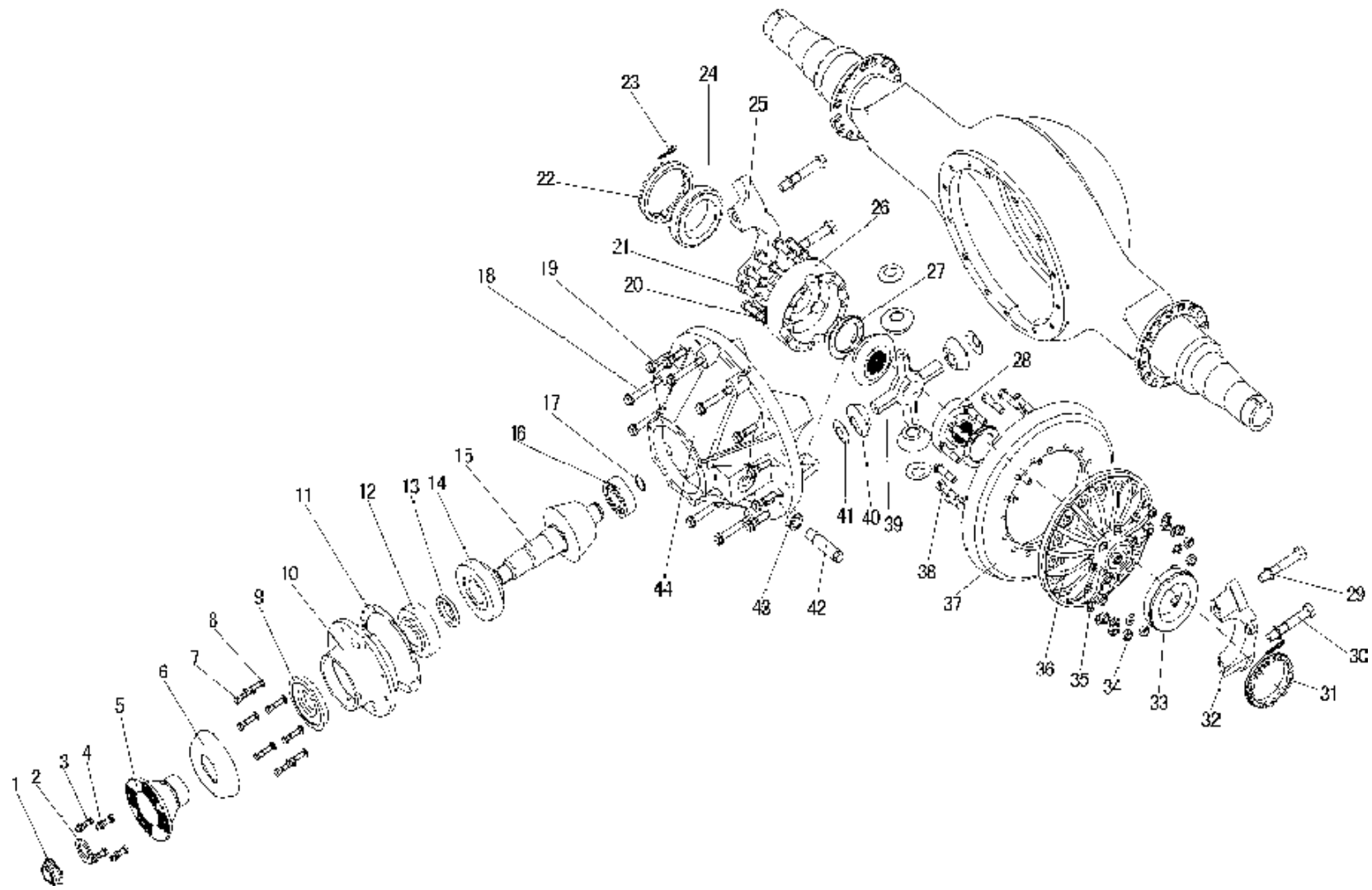
FIRST REAR AXLE HOUSING/中桥壳

No	Number of part	Quantity	Description	Applicability	Designation
1	AZ9761330560	1		6×4,6×6,8×4	HW1697 first rear axle housing
1	AZ9761330662	1		10×4	HW1697 first rear axle housing
1-1	AZ9118330013	1			Upper base left
1-2	AZ9118330019	1			Upper base right
1-3	AZ9118330014	1			Bottom base left
1-4	AZ9118330020	1			Bottom base right
1-5	AZ9761336005	2			Support for sensor
1-6	AZ9761330001	1			Base for brace rod
1-6	AZ9761330002	1		For 10×4	Base for brace rod
2	1227N1184	2			Inter adjusting nut
2a	1227P1186	2			Outer adjusting nut
6	199000330006	1			Breather
7	190003962021	2			Screw
8	1586 330015	1			Magnet plug
9	Q72336	1			Gasket
12	WG41X1090	2			Screw
13	WG1229N1626	4			Washer
14	WG40X1182	2			Locking nut
15	MS2160601	8			Screw
15a	MS2161201	6			Screw
16	MWA516	14			Washer

C6-4

REAR AXLE DRIVE/后桥驱动装置

Fig. C6-4



C6-4

REAR AXLE DRIVE/后桥驱动装置

No	Number of part	Quantity	Description	Applicability	Designation
0	AC71313200660	1			Rear axle drive (I=4.22,TF180)
0	AC71613200130	1			Rear axle drive (I=4.22,TF165)
0	AC71613200662	1			Rear axle drive (I=4.22,PF165)
0	AC71613200663	1			Rear axle drive (I=3.73,PF165)
1	WG40X1233	1			Locking nut
2	1229N1730	1			Washer
3	Q151C1245	4			Screw
4	190003888457	4			Locking nut
5	AZ9761320380	1			Φ 165 toothed flange C
5-1	AZ9761320381	1			Φ 165 toothed flange body
5	AZ9118320280	1			Φ 180 Toothed flange C
5-1	AZ9118320281	1			Φ 180 Toothed flange body
5	AZ9761320167	1			Φ 165 plane flange C
5-1	AZ9761320168	1			Φ 165 plane flange body
6	3264G189	1			Cover
7	41X1408	8			Screw
8	1229C1511	1			Gasket
9	A1205Q2591	1			Oil sealing
10	AZ9761320001	1			Bearing seat
11	2803Y2755	4			Shim
11	2803Z2756	3			Shim
11	2803A2757	4			Shim
11	2803B2758	1			Shim
12	HY15311-H715334	1			Bearing
13	S2203H8536	1			Adjusting shim set
14	9220-9278	1			Bearing
15	AZ9118321014	1			Pinion and crown wheel 38/9
15	AZ9761321014	1			Pinion and crown wheel 41/11
16	WG1228S1267	1			Roller bearing
17	1229L1624	1			Snap ring
18	MS2161201	6			Screw
19	MS2160601	8			Screw
20	1229U1503	12			Washer
21	WG41X1275	12			Screw

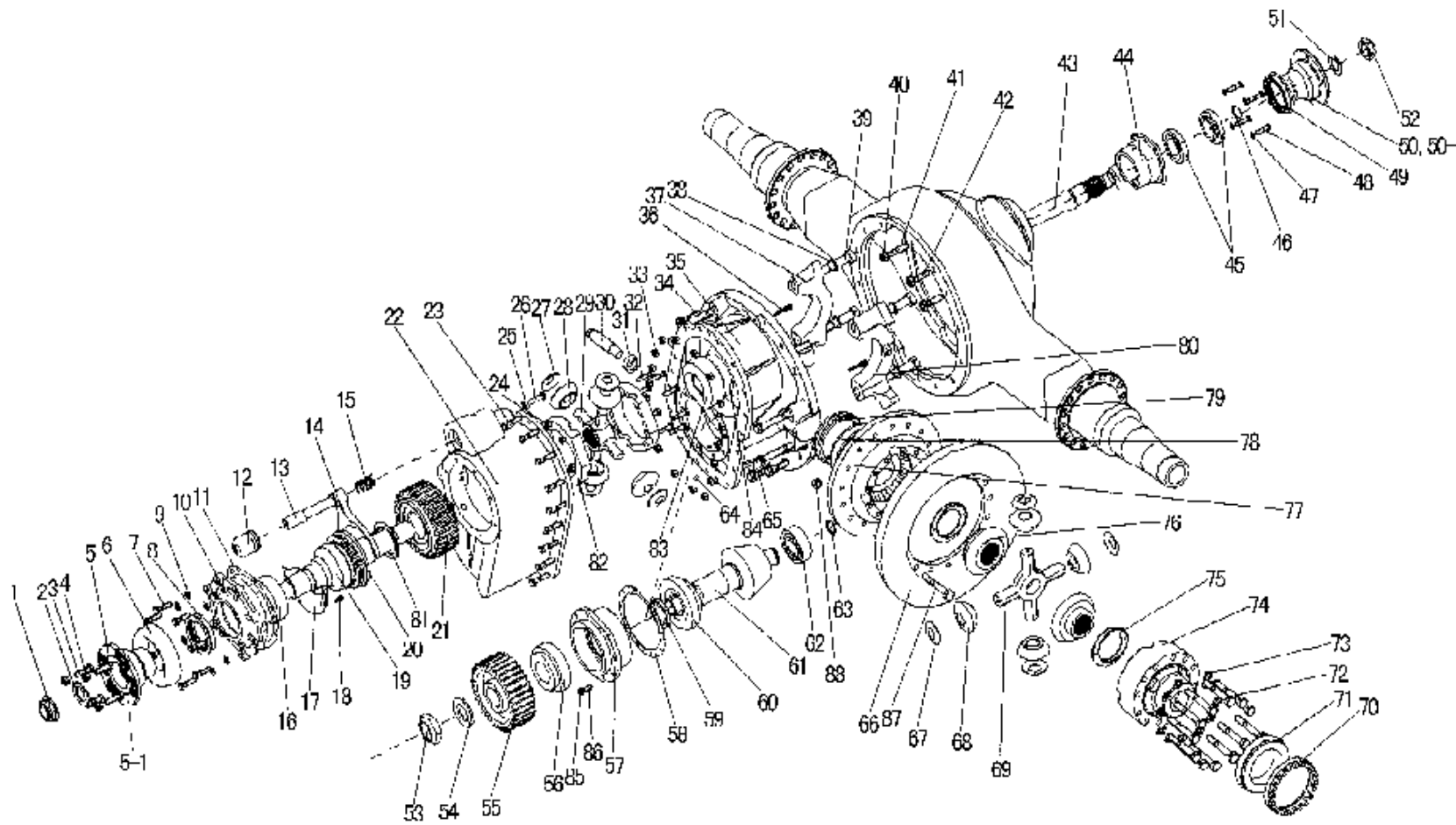
22	2214S1137	1		Adjusting nut
23	1199R2176	1		Split pin
24	JM822010-JM822049	1		Bearing
25	A3212X1194	1		Cover
26	3235F2138	1		Diff.half housing without flange
27	1229L3002	2		Spacer
28	2234Z1066	2		Bevel pinion
29	42X1024	4		Washer
30	41X1018	4		Screw
31	2214G1125	1		Adjusting nut
32	A3212Z1196	1		Cover
33	NP022042-NP579116	1		Bearing
34	WG40X1182	16		Locking nut
35	1229W1557	16		Washer
36	AZ9761322143	1		Diff.half housing with flange
38	AZ9118321334	16		Screw
39	3278W335	1		Diff.spider
40	AZ9118321001	1		Bevel pinion
41	1229K3001	4		Spacer
42	AZ9761321167	4		Screw
43	1227D472	1		Nut
44	AZ9761321890	1		Drive housing C.
44—1	AZ9761321899	1		Drive housing
45	A2 3235K2143I			DIFF.Assembly
46	A1 3235K2143I			DIFF.Housing C
47	KIT 2318			DIFF.Parts



C6-5

FIRST REAR AXLE DRIVE/中桥驱动装置

Fig. C6-5



C6-5

FIRST REAR AXLE DRIVE/中桥驱动装置

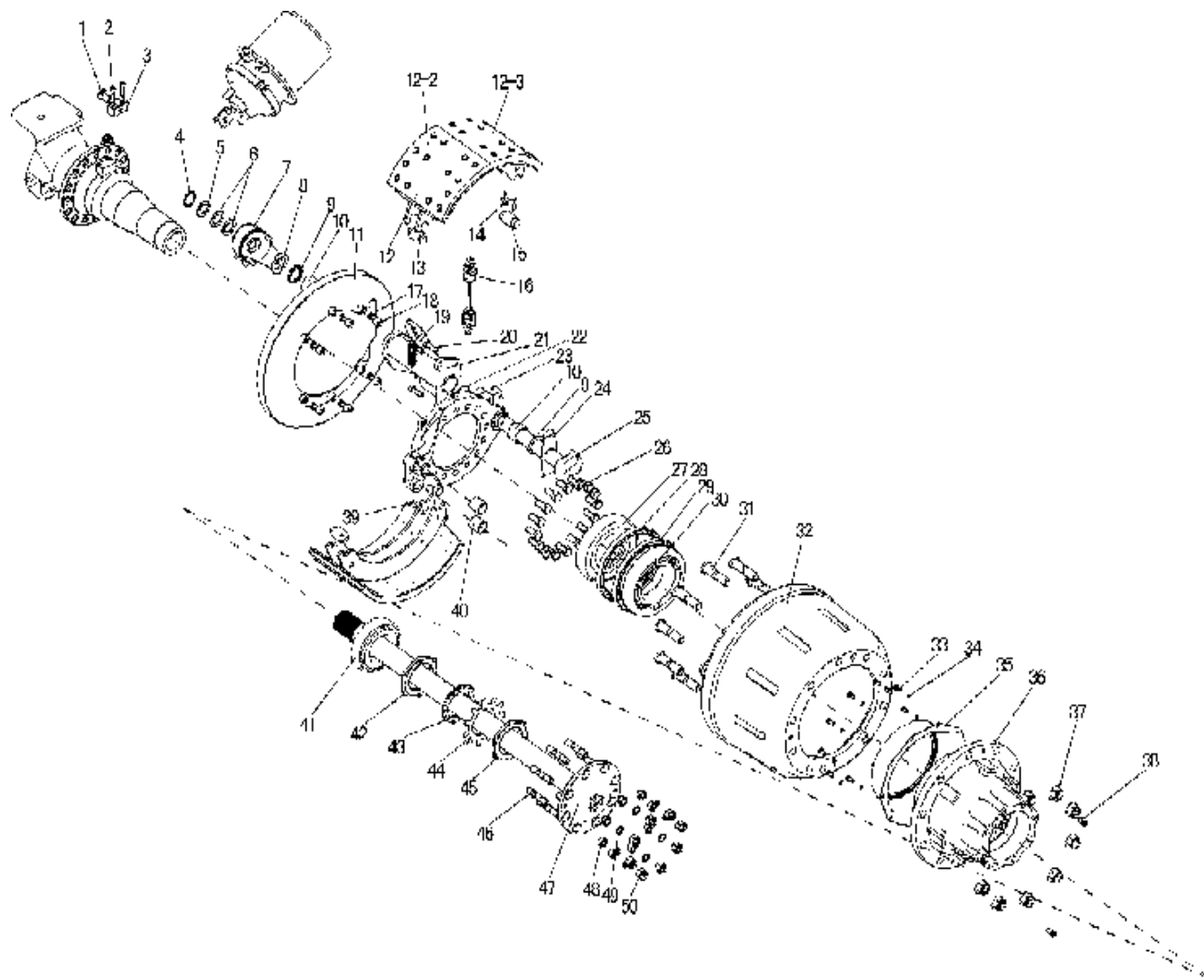
No	Number of part	Quantity	Description	Applicability	Designation
0	AC71613200110	1			First rear axle drive I=4.22 TF180(input),TF165(output)
0	AC71613200111	1			First rear axle drive I=4.22 PF165(input),TF165(output)
0	AC71613200112	1			First rear axle drive I=4.22 TF165(input),TF165(output)
0	AC71613200113	1			First rear axle drive I=4.22 PF180(input),TF165(output)
0	AZ9761320422				First rear axle drive I=4.22 without flange
0	AZ9761320421				First rear axle drive I=3.73 without flange
0	AC71613200114				First rear axle drive I=3.73 PF165(input),TF165(output)
1	WG40X1233	1			Locking nut
2	1229N1730	1			Washer
3	Q150B1445TF2	4			Screw
4	Q33414T13F2	4			Locking nut
5	AZ9761320280	1			Φ 180 toothed flange C
5-1	AZ9761320281	1			Φ 180 toothed flange body
5	AZ9761320166				Φ 165 Toothed flange C
5-1	AZ9761320163				Φ 165 Toothed flange body
5	AZ9761320182				Φ 180 Plane flange C
5-1	AZ9761320183				Φ 180 Plane flange body
5	AZ9761320165				Φ 165 Plane flange C
5-1	AZ9761320164				Φ 165 plane flange body
6	3264G189	1			Cover
7	MS212045 1	7			Screw
8	A 1205J2428	1			Gasket
9	1229D4632	7			Washer
10	A 3226H1126	1			Bearing seat C
10-1	3226H1126	1			Bearing seat
10-2	HM813820	1			Outer ring of bearing
11	2203K9241	3			Shim
11	2203L9242	2			Shim
11	2203M9243	1			Shim
12	A2 3261Q1057	1			Cylinder C
12-1	2230J1180	1			Piston
12-2	5X1198	1			O-ring
12-3	3261Q1057	1			Cylinder
13	2244K1025	1			Push rod
14	AZ9761321086	1			Shifting fork

15	2258U411	1		Spring
16	HM813810-HM813844	1		Bearing
17	AZ9111320020	1		Cover
18	Q150B0816	3		Screw
18a	Q40308	3		Spring washer
19	AZ9761321195	1		Input shaft C
19—1	AZ9161321196	1		Input shaft
19—2	1228K37	1		Steel ball
20	3107U1061	1		Shifting dog
21	AZ9761320085	1		Drive gear C
21—1	AZ9761320086	1		Drive gear
21—2	WG9761320084	1		Bush
22	AZ9761321312	1		Housing
23	Q150B1250	18		Screw
24	Q340B10	8		Nut
24a	1229K1597	8		Washer
25	MN312 1	1		Nut
26	41X1208	1		Screw
27	1229Q2929	4		Spacer
28	2233K245	4		Bevel pinion
29	3278N300	1		Diff.spider
30	AZ9761321167	1		Screw
31	1227D472	1		Nut
32	MS210080A 1	8		Screw
33	Q340B12	8		Nut
33a	Q40312	8		Spring washer
34	MS216120 1	5		Screw
35	AZ9761320411			Housing C
35—1	AZ9761321894	1		Housing
36	1199R2176	2		Split pin
37	A 3212Z1196	1		Cover
38	42X1024	4		Washer
39	41X1018	4		Screw
40	MN 3161	3		Nut
41	4X1746	1		Stud
42	4X1740	2		Stud
43	AZ9761321010	1		Driving shaft
44	AZ9761321112	1		Bearing seat
45	385A-382A	2		Bearing
46	AZ9761322590	1		Circlip set
47	Q40110	4		Washer
48	Q150B1025	4		Screw
49	AZ9761322430	1		Oil sealing
50	AZ9761320285	1		Φ 165 toothed flange C
50—1	AZ9761320282	1		Φ 165 toothed flange body
50—2	AZ9761320283	1		Cover
51	1229T1736	1		Washer
52	AZ9761321237	1		Nut
52a	Q5005060	1		Split pin
53	WG40X1145	1		Locking nut
54	1229G4063	1		Washer
55	AZ9761320016	1		Driven gear
56	H715311-H715341	1		Bearing
57	AZ9761320017	1		Bearing seat
58	AZ9761322785	1		Shim set
59	AZ9761320020	1		Shim set
60	9185-9121	1		Bearing
61	AZ9761320120	1		Pinion and crown wheel 38/9
61—1	AZ9761320124	1		Pinion 9
61—2	AZ9761320125	1		Crown wheel 38
61	AZ9761320121	1		Pinion and crown wheel 41/11
61—1	AZ9761320224	1		Pinion 11
61—2	AZ9761320225	1		Crown wheel 41
62	WG1228S1267	1		Roller bearing
63	1229L1624	1		Snap ring
64	Q5211016	2		Pin
65	MS2160601	6		Screw
67	1229K3001	4		Spacer
68	AZ118321001	4		Bevel pinion
69	3278W335	1		Diff.spider
70	2214S1137	1		Adjusting nut
71	JM822010-JM822049	1		Bearing
72	WG41X1275	12		Screw
73	1229U1503	12		Washer
74	3235F2138	1		Diff.half housing without flange
75	1229L3002	2		Spacer
76	2234Z1066	2		Bevel pinion
77	AZ9761322143	1		Diff.half housing with flange
78	NP011042-NP579116	1		Bearing

79	2214G1125	1		Adjusting nut
80	A 3212X1194	1		Cover
81	AZ9761324785	1		Washer
82	3235Q1967	2		Axle diff.housing front
83	AZ9761321190	1		Bevel pinion of axle diff.
84	JM714210-JM714249	1		Bearing
85	Q340B12	9		Nut
85a	Q40312	9		Spping washer
86	Q1201232	9		Stud
87	AZ9118321334	16		Screw
88	WG40X1182	16		Nut
88a	1229W1557	16		Washer
90	WG9000310049	8		Screw
91	190003888459	8		Nut
95	A2 3235K2143I			Diff.assembly
96	A1 3235K2143I			Diff.housing C
97	KIT 2318			Diff.parts

C6-6

REAR BRAKE/后制动器



C6-6

REAR BRAKE/后制动器

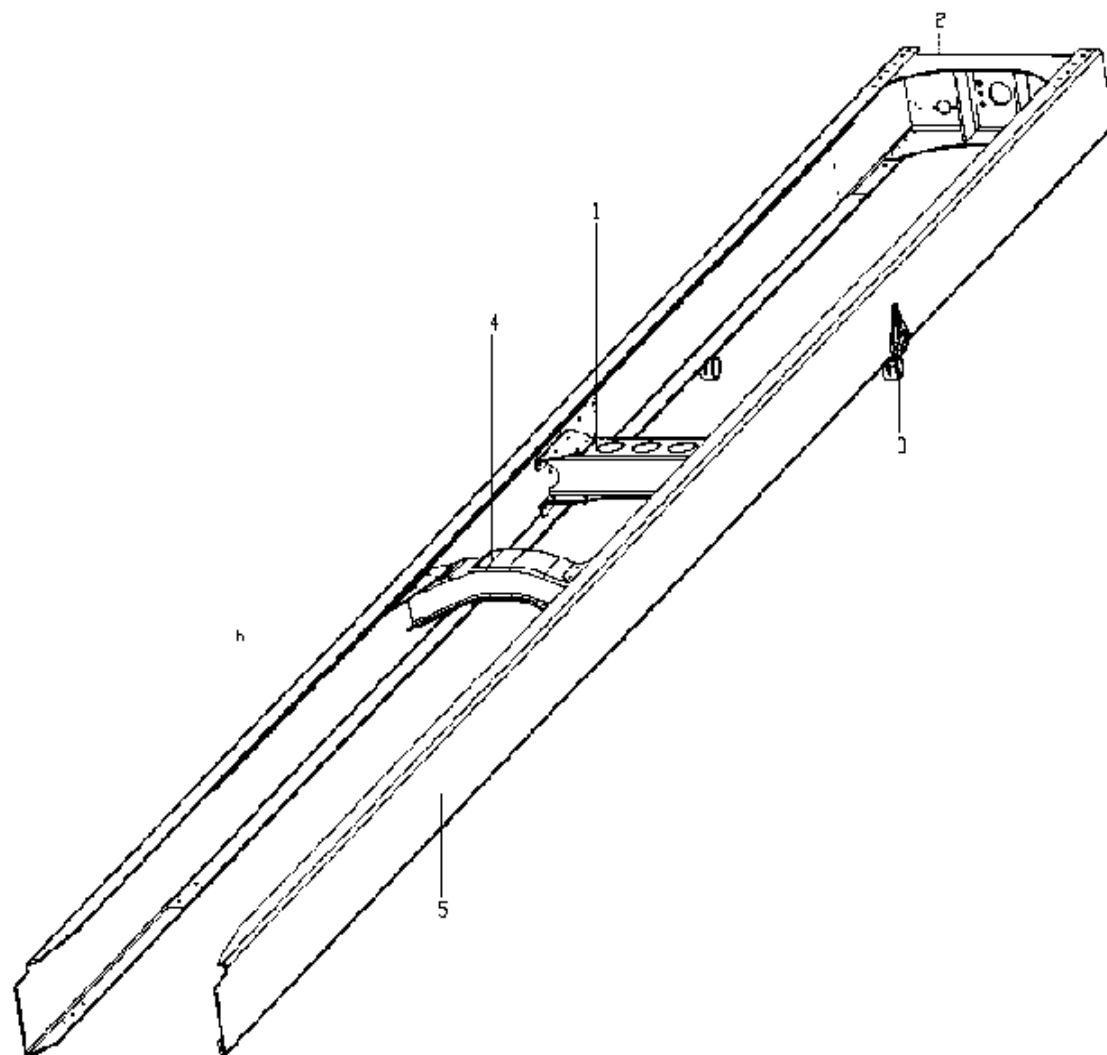
No	Number of part	Quantity	Description	Applicability	Designation
1	AZ9107346010	2			ABS sensor bellows
2	Q218B0835	4			Screw
3	AZ9107346006	2			ABS sensor bracket
4	1229D2942	2			Circlip
5	1229W3117	2			Washer
6	1229J3130	4			Washer
7	AZ9111340040	2			Rod adjusting device
7	WG9111340045	2		Option	Self rod adjusting device
7a	AZ9111340025	2		For WG9111340045	Support
7b	Q33208	2		For WG9111340045	Nut
8	1229H4090	2			Washer
9	A 1205V1556	4			Oil seal
10	WG1225L1208	4			Bush
11	A 3236R2124	2			Brake cover
11a	A 3236Q2123	2			Brake cover
12	AZ9761340106	2			Brake shoe C
12-1	AZ9761340105	2			Shoe
12-2	AZ9761340103	2			Brake lining
12-3	AZ9761340104	2			Brake lining
12-4	5-60730	2			Brake spacer
12-5	WG9761340108	28			Rivet
13	1259N274	4			Bolt
14	3105B210	4			Support
15	1779R18	4			Roller
16	2258W803	2			Spring
17	Q150B1028	12			Screw
18	AZ9118340012	12			Spacer
19	2258H1230	4			Spring
20	Q150B1235	8			Screw
21	AZ9761345541	1		For second rear axle	Bracret left
21a	AZ9761345542	1		For second rear axle	Bracket right
21	AZ9761345555	1		For single rear axle	Bracket left
21a	AZ9761345556	1		For single rear axle	Bracket right
21	AZ9761345543	1		For first rear axle	Bracket left
21a	AZ9761345544	1		For first rear axle	Bracket right
22	1205G761	2			O-ring
23	3211W6003	1			Brake anchor left
23a	3211W6004	2			Brake anchor right

24	I229G4089	2		Washer
25	AZ9761348144	1		Brake camshaft left
25a	AZ9761348143	1		Brake camshaft right
26	Q151B1635TF2	2		Screw
27	AZ9111340017	2		Spacer
28	WG9112340114	2		Oil seal
29	WG9112340113	2		Oil seal
30	190003326067	2		Bevel roller bearing
31	WG9107340002	20		Wheel stud
32	AZ9118340006	2		Brake drum
33	Q150B0816	20		Screw
34	Q40308	20		Washer
35	AZ9761340021	2		Cover
36	AZ9761340082	2		Rear wheel hub
36a	WG9112340008	2	For ABS	Gear ring
37	WG9003884160	20		Wheel nut
38	Q2541025	4		Screw
39	I218G85	4		Pin
40	WG1225L1208	4		Bush
41	32217	2		Bevel roller bearing
42	I227N1184	2		Inter adjusting nut
43	I229M3003	2		Locking sheet
44	AZ9107334673	2		Locking sheet
45	I227P1186	2		Outer adjusting nut
46	WG9107340003	16		Stud
47	AZ9761341020	1		Drive shaft left
47a	AZ9761341010	1		Drive shaft right
48	I246V1166	16		Bevel sleeve
49	I229X518	16		Locking sheet
50	190003888627	16		Locking nut

C7-1

CHASSIS FRAME FOR 4×2 TIPPER TRUCK/4×2自卸车车架

Fig. C7-1



C7-1

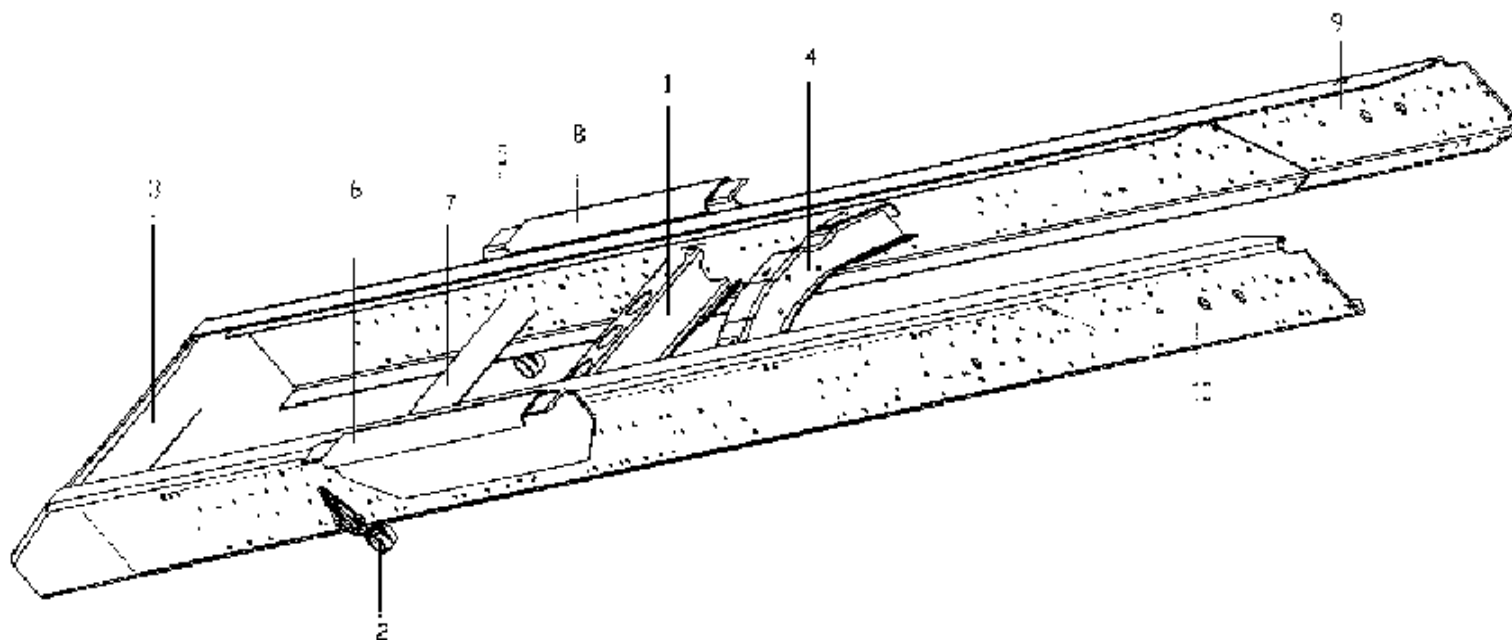
CHASSIS FRAME FOR 4×2 TIPPER TRUCK/4×2自卸车车架

No	Number of part	Quantity	Description	Applicability ※	Designation
—	AZ9716513800	1		K38/4×2	Chassis frame
—	AZ9716514620	1		K46/4×2	Chassis frame
1	AZ9719510020	1			Cross member
2	AZ9632512020	1			Cross member
3	199100510008	2			Bracket
4	AZ9719510010	1		K38/4×2	Cross member
4	AZ9716510010	1		K46/4×2	Cross member
5	AZ9716513801	1		K38/4×2	Left longeron
5	AZ9716514621	1		K46/4×2	Left longeron
6	AZ9716513802	1		K38/4×2	Right longeron
6	AZ9716514622	1		K46/4×2	Right longeron
Note: K38/4×2					
K38— Model,K—Tipper truck					
4×2—driving type					

C7-2

CHASSIS FRAME FOR 4×2 TRACTOR TRUCK/4×2牵引车车架

Fig. C7-2



C7-2

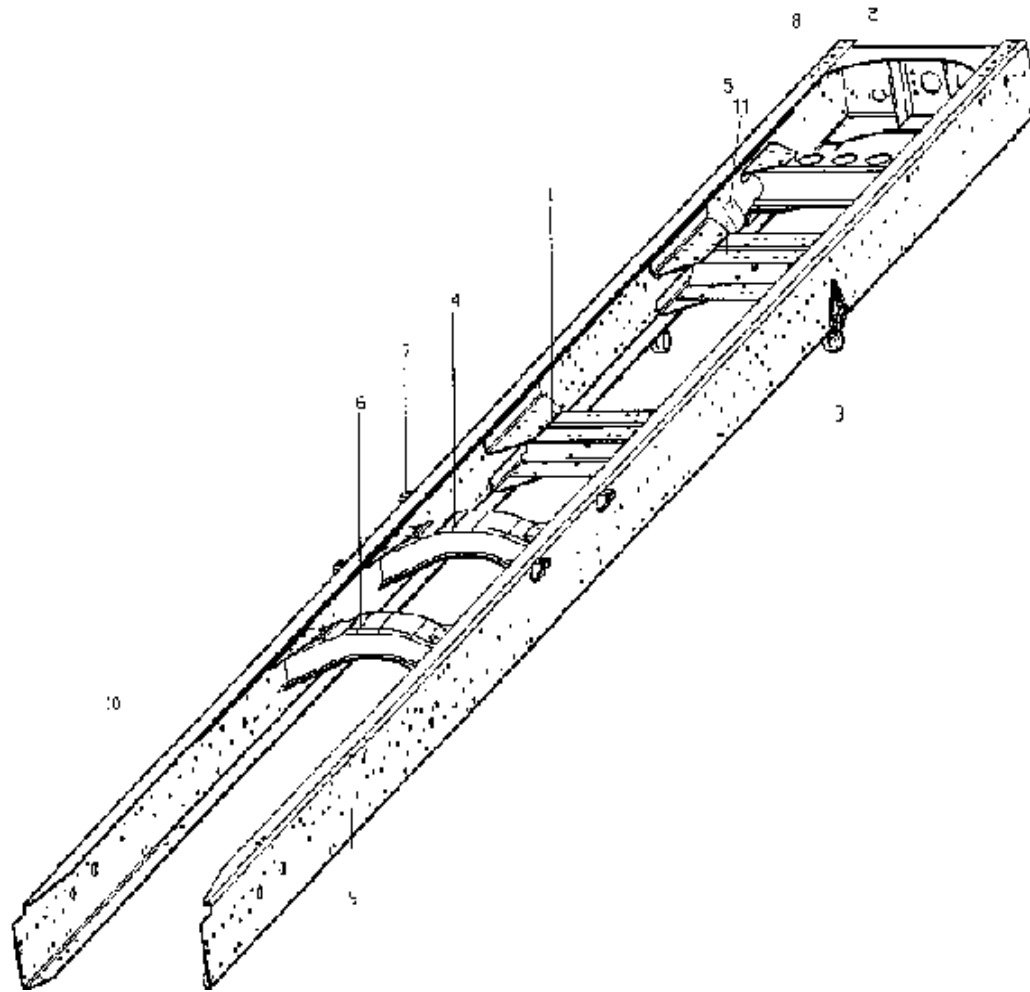
CHASSIS FRAME FOR 4×2 TRACTOR TRUCK/4×2牵引车车架

No	Number of part	Quantity	Description	Applicability ※	Designation
—	AZ9719510000	1		S35/4×2	Chassis frame
1	AZ9719510020	1		S35/4×2	Cross member
2	199100510008	2		S35/4×2	Bracket
3	AZ9719510030	1		S35/4×2	Cross member
4	AZ9719510010	1		S35/4×2	Cross member
5	AZ9719510051	1		S35/4×2	Angle support
6	AZ9719510052	1		S35/4×2	Angle support
7	AZ9719510040	1		S35/4×2	Cross member for shock absorber
9	AZ9719510001	1		S35/4×2	Left longeron
10	AZ9719510002	1		S35/4×2	Right longeron
11	199014510226	2		S35/4×2	Bracket

※ S35—S:tractor truck, 35:wheel base=3500mm

C7-3 CHASSIS FRAME FOR 4×2 CARGO TRUCK/4×2载货车车架

Fig. C7-3



C7-3 CHASSIS FRAME FOR 4×2 CARGO TRUCK/4×2载货车车架

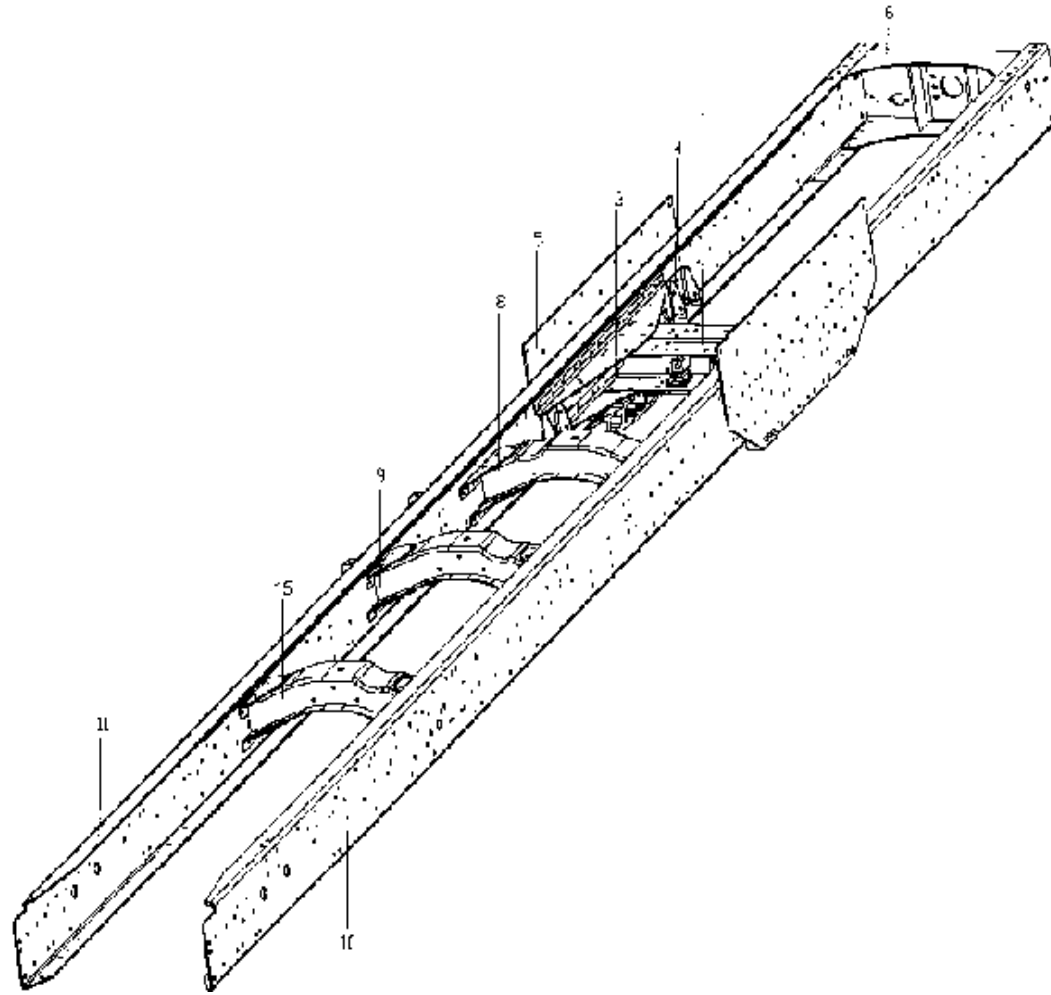
No	Number of part	Quantity	Description	Applicability ※	Designation
—	AZ9716514630	1		O46/4×2	Chassis frame
—	AZ9716515600	1		N56/4×2	Chassis frame
1	AZ9719510020	1			Cross member
2	AZ9632512020	1			Cross member
3	199100510008	1			Cross member
4	AZ9719510010	1			Cross member
5	AZ9719510040	1			Cross member for shock absorber
6	AZ9716510010	1			Cross member
7	1780 510196	2			Bracket
8	AZ9716510030	1			Cross member
9	AZ9716514631	1		O46/4×2	Left longeron
9	AZ9716515601	1		N56/4×2	Left longeron
10	AZ9716514632	1		O46/4×2	Right longeron
10	AZ9716515602	1		N56/4×2	Right longeron
11	199014510226	2			Bracket
※ O46——O: Cargo truck, 46: wheel base=4600mm					
N56——N: Cargo truck, 56: wheel base=5600mm					



C7-4

CHASSIS FRAME FOR 6×4 TIPPER TRUCK/6×4自卸车车架

Fig. C7-4



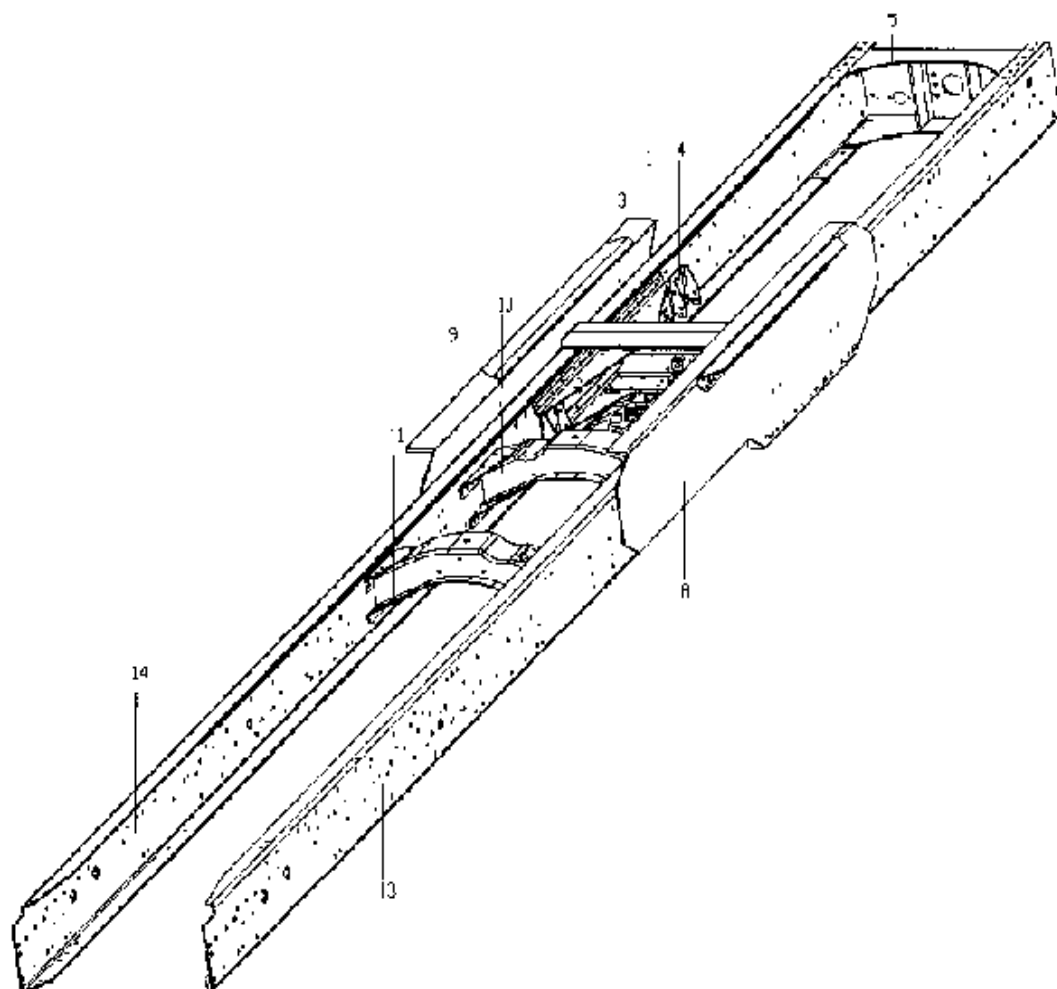
C7-4

CHASSIS FRAME FOR 6×4 TIPPER TRUCK/6×4自卸车车架

No	Number of part	Quantity	Description	Applicability	Designation
—	AZ9725513230	1		K32/6×4	Chassis frame
—	AZ9725512900	1		K29/6×4	Chassis frame
—	AZ9725513600	1		K36/6×4	Chassis frame
—	AZ9725513800	1		K38/6×4	Chassis frame
—	AZ9725511300	1		K46/6×4	Chassis frame
1	AZ9725510040	1			Cross member
3	AZ9725510015	2			Bracket
5	AZ9725510021	2			Plate
6	AZ9632512020	1			Cross member
8	AZ9725510050	4			Cross member
9	AZ9725510070	1		K29/K32/K36	Cross member
9	AZ9719510010	1		K38/K46	Cross member
10	AZ9725512901	1		K29/6×4	Left longeron
10	AZ9725513231	1		K32/6×4	Left longeron
10	AZ9725513601	1		K36/6×4	Left longeron
10	AZ9725513801	1		K38/6×4	Left longeron
10	AZ9725511301	1		K46/6×4	Left longeron
11	AZ9725512902	1		K29/6×4	Right longeron
11	AZ9725513232	1		K32/6×4	Right longeron
11	AZ9725513602	1		K36/6×4	Right longeron
11	AZ9725513802	1		K38/6×4	Right longeron
11	AZ9725511302	1		K46/6×4	Right longeron
15	AZ9725510070	1		K38	Cross member
15	AZ9719510010	1		K46	Cross member

C7-5 CHASSIS FRAME FOR 6×4 TRACTOR TRUCK/6×4牵引车车架

Fig. C7-5

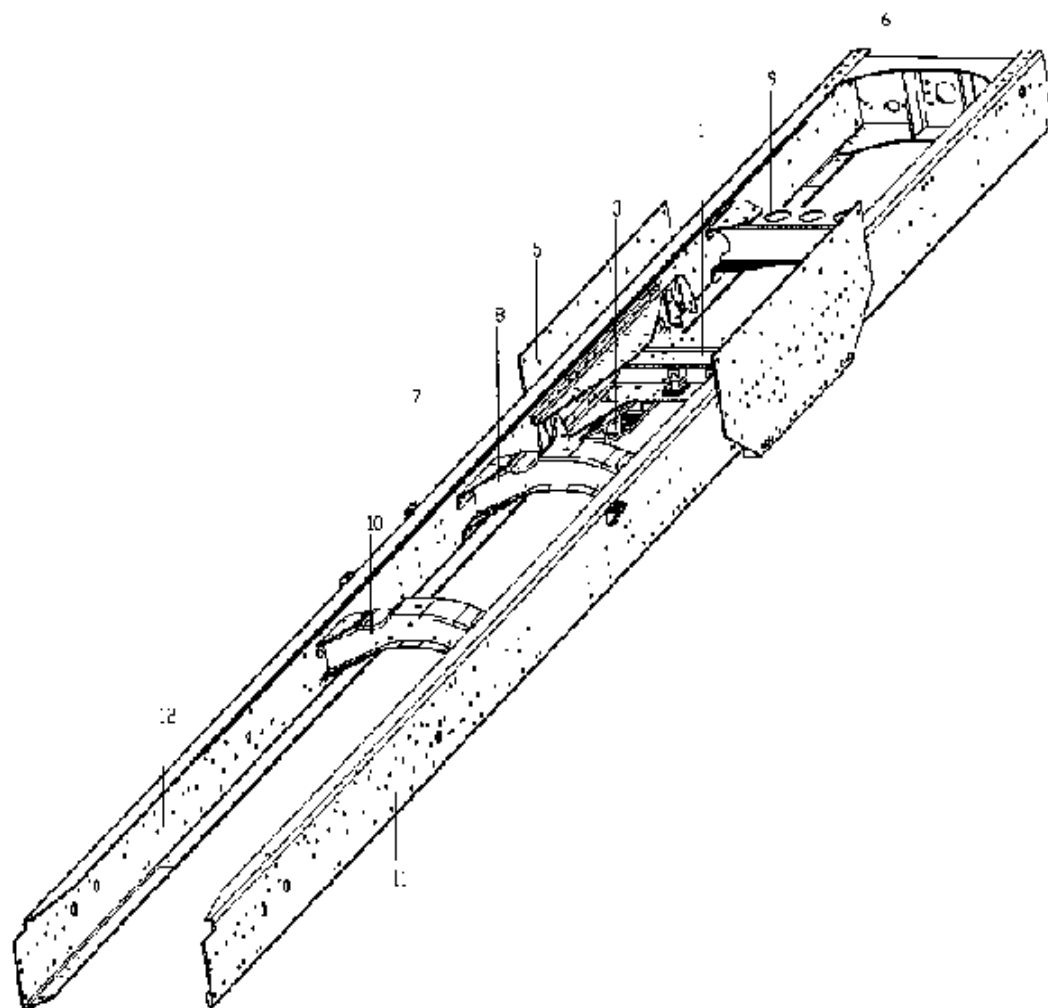


C7-5 CHASSIS FRAME FOR 6×4 TRACTOR TRUCK/6×4牵引车车架

No	Number of part	Quantity	Description	Applicability	Designation
—	AZ9725512000	1		S32/6×4	Chassis frame
—	AZ9725513260	1		S32/6×4/420ps	Chassis frame
—	AZ9725513240	1		S32/6×2	Chassis frame
1	AZ9725510040	1			Cross member
3	AZ9725510015	2			Bracket
5	AZ9632512020	1			Cross member
8	AZ9725512022	1			Plate left
9	AZ9725512021	1			Plate right
10	AZ9725510050	1			Cross member
11	AZ9719510010	1			Cross member
13	AZ9725512001	1			Left longeron
13	AZ9725513261	1		420ps	Left longeron
14	AZ9725512002	1			Right longeron
14	AZ9725513262	1		420ps	Right longeron

C7-6 CHASSIS FRAME FOR 6×4 CARGO TRUCK/6×4载货车车架

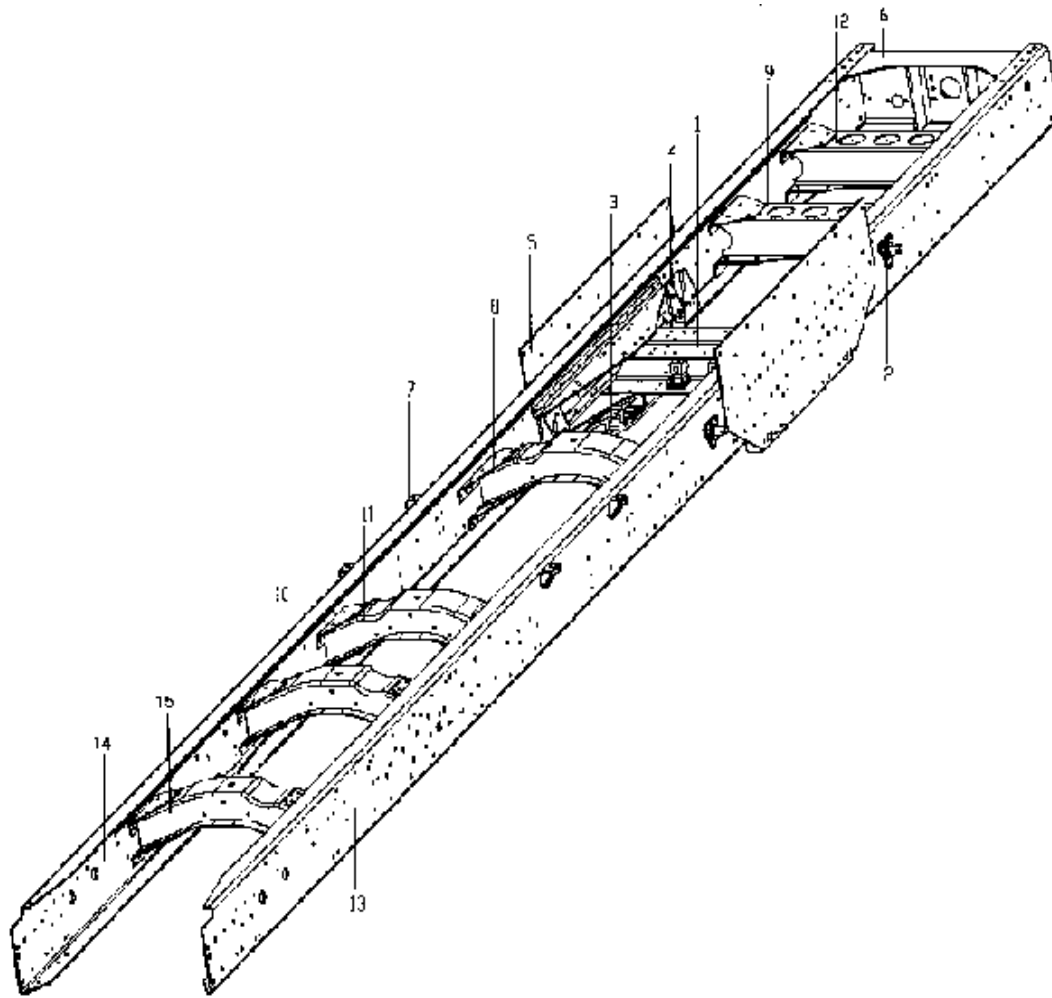
Fig. C7-6



C7-6 CHASSIS FRAME FOR 6×4 CARGO TRUCK/6×4载货车车架

No	Number of part	Quantity	Description	Applicability	Designation
—	AZ9725511200	1		B32/6×4	Chassis frame
—	AZ9725511100	1		B36/6×4	Chassis frame
—	AZ9725513200	1		B32/6×2	Chassis frame
1	AZ9725510040	1			Cross member
3	AZ9725510015	2			Bracket
5	AZ9725510021	2			Plate
6	AZ9632512020	1			Cross member
7	1780 510196	2			Bracket
8	AZ9725510050	1			Cross member
9	AZ9719510060	1			Cross member
10	AZ9725510060	1			Cross member
11	AZ9725511101	1		B36/6×4	Left longeron
11	AZ9725511201	1		B32/6×4	Left longeron
12	AZ9725511102	1		B36/6×4	Right longeron
12	AZ9725511202	1		B32/6×4	Right longeron

C7-7 CHASSIS FRAME FOR 6×4 GARGO TRUCK WITH LONG WHEEL BASE/6×4长轴距载货车车架 Fig.C7-7



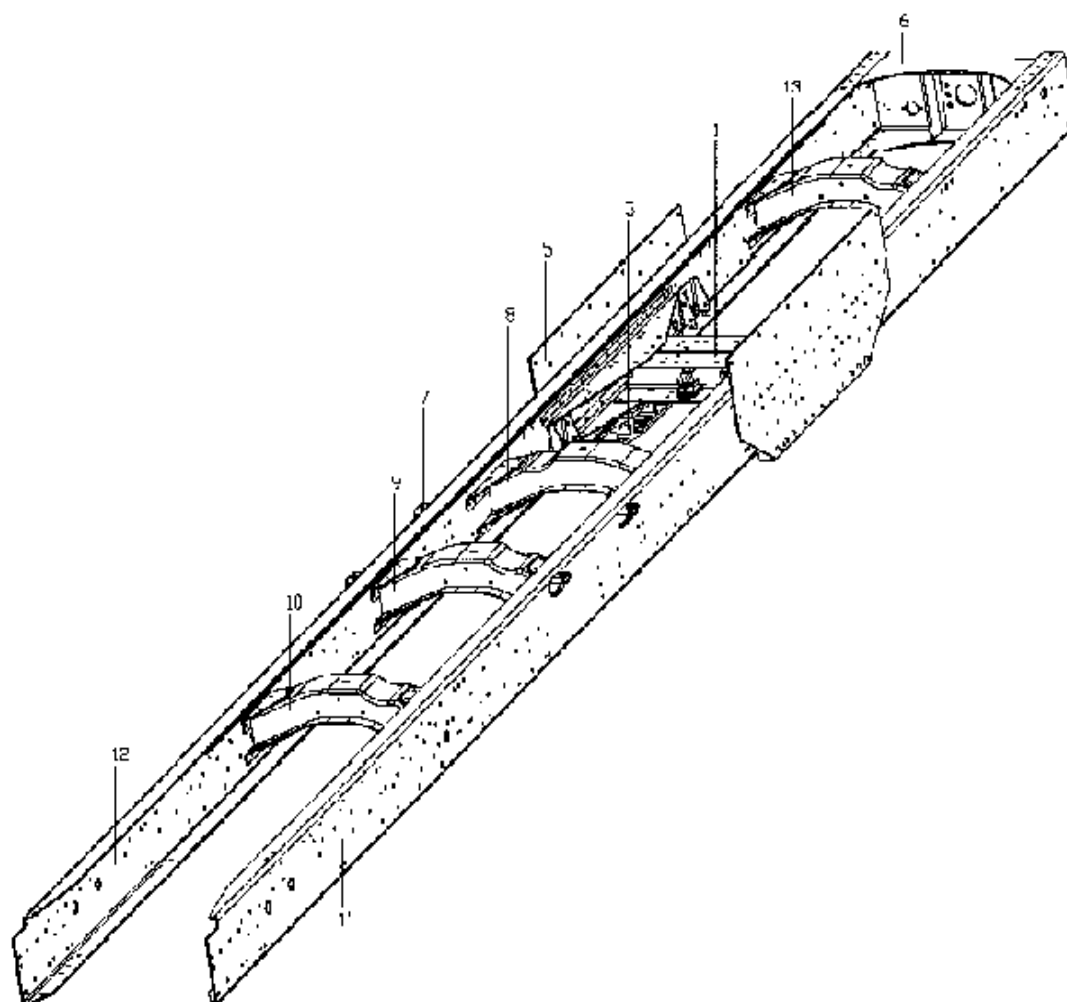
C7-7 CHASSIS FRAME FOR 6×4 GARGO TRUCK WITH LONG WHEEL BASE/6×4长轴距载货车车架

No	Number of part	Quantity	Description	Applicability	Designation
—	AZ9725513820	1		B38/6×4	Chassis frame
—	AZ9725514000	1		O43/6×4	Chassis frame
—	AZ9725511000	1		O46/6×4	Chassis frame
—	AZ9725513000	1		N52/6×4	Chassis frame
—	AZ9725515000	1		N58/6×4	Chassis frame
1	AZ9725510040	1			Cross member
3	AZ9725510015	2			Bracket
5	AZ9725510021	2			Plate
6	AZ9632512020	1			Cross member
7	1780 510196	2			Bracket
8	AZ9725510050	1			Cross member
9	AZ9716510010	1			Cross member
10	AZ9719510010	1			Cross member
11	AZ9719510010	1			Cross member
12	AZ9716510010	1			Cross member
13	AZ9725513821	1		B38/6×4	Left longeron
13	AZ9725514001	1		O43/6×4	Left longeron
13	AZ9725511001	1		O46/6×4	Left longeron
13	AZ9725513001	1		N52/6×4	Left longeron
13	AZ9725515001	1		N58/6×4	Left longeron
14	AZ9725511002	1		O46/6×4	Right longeron
14	AZ9725513002	1		N52/6×4	Right longeron
14	AZ9725515002	1		N58/6×4	Right longeron
14	AZ9725513822	1		B38/6×4	Right longeron
14	AZ9725514002	1		O43/6×4	Right longeron
15	AZ9719510010	1		N58/6×4	Cross member

C7-8

CHASSIS FRAME FOR 8×4 TIPPER TRUCK/8×4自卸车车架

Fig.C7-8



C7-8

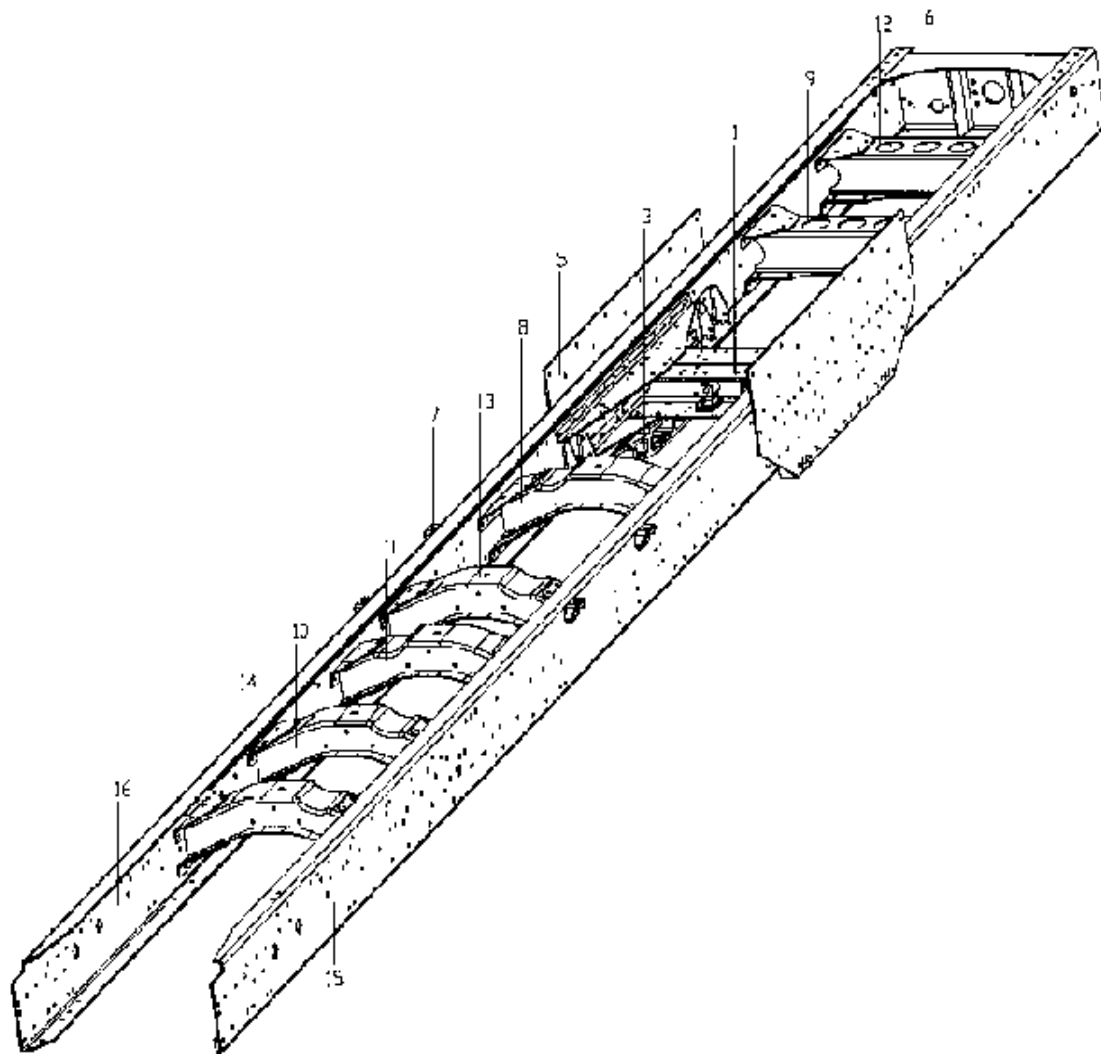
CHASSIS FRAME FOR 8×4 TIPPER TRUCK/8×4自卸车车架

No	Number of part	Quantity	Description	Applicability	Designation
—	AZ9731513210	1		K32/8×4	Chassis frame
—	AZ9731512800	1		K28/8×4	Chassis frame
—	AZ9731511000	1		K30/8×4	Chassis frame
1	AZ9725510040	1			Cross member
3	AZ9725510015	2			Bracket
5	AZ9725510021	2			Plate
6	AZ9632512020	1			Cross member
7	1780 510196	2		K32/8×4	Bracket
8	AZ9725510050	1			Cross member
9	AZ9731510010	1			Cross member
10	AZ9719510010	1			Cross member
11	AZ9731513211	1		K32/8×4	Left longeron
11	AZ9731512801	1		K28/8×4	Left longeron
11	AZ9731511001	1		K30/8×4	Left longeron
12	AZ9731513212	1		K32/8×4	Right longeron
12	AZ9731512802	1		K28/8×4	Right longeron
12	AZ9731511002	1		K30/8×4	Right longeron
13	AZ9716510010	1		K32/8×4	Cross member

C7-9

CHASSIS FRAME FOR 8×4 CARGO TRUCK/8×4载货车车架

Fig. C7-9



C7-9

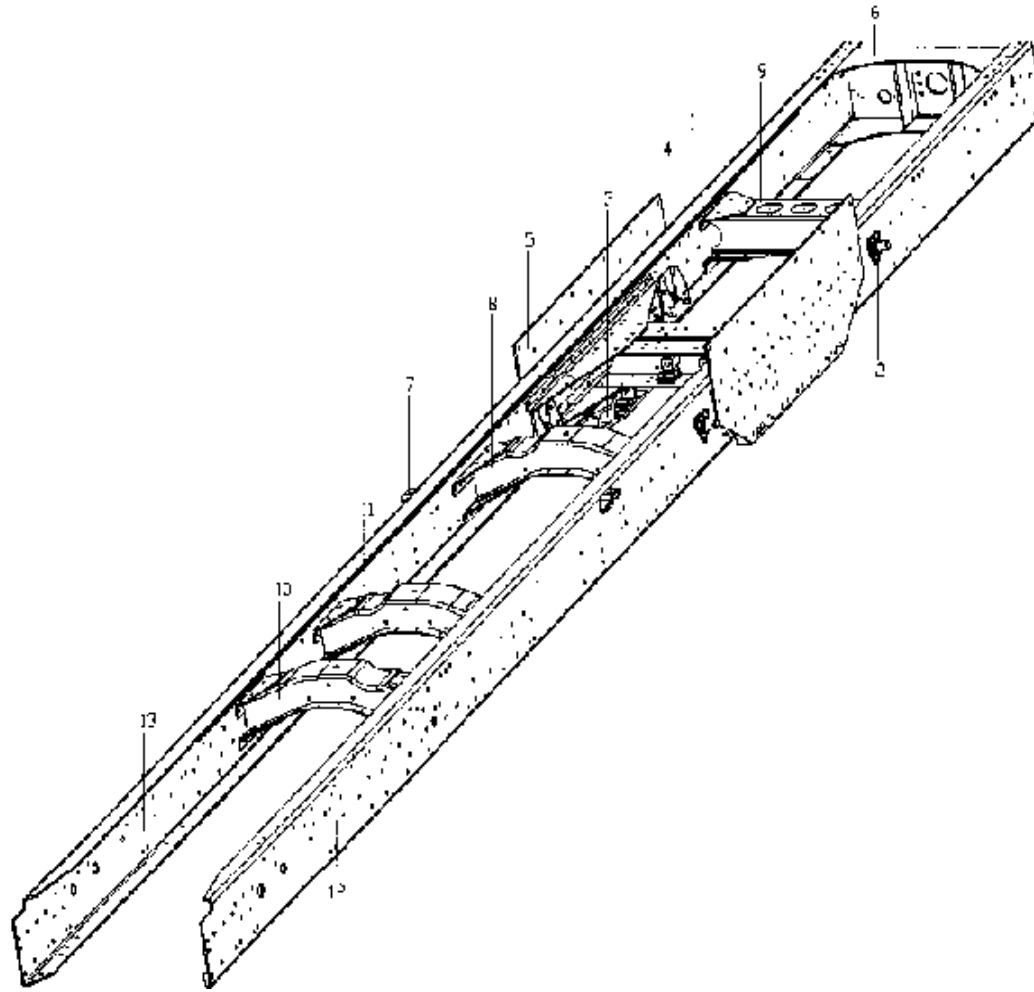
CHASSIS FRAME FOR 8×4 CARGO TRUCK/8×4载货车车架

No	Number of part	Quantity	Description	Applicability	Designation
—	AZ9731513800	1		O38/8×4	Chassis frame
—	AZ9731510000	1		O46/8×4	Chassis frame
1	AZ9725510040	1			Cross member
3	AZ9725510015	2			Bracket
5	AZ9725510021	2			Plate
6	AZ9632512020	1			Cross member
7	1780 510196	4			Bracket
8	AZ9725510050	1			Cross member
9	AZ9716510010	1			Cross member
10	AZ9719510010	1			Cross member
11	AZ9719510010	1			Cross member
12	AZ9716510010	1			Cross member
13	AZ9719510010	1		O46/8×4	Cross member
13	AZ9731513810	1		O38/8×4	Cross member
14	AZ9719510010	1			Cross member
15	AZ9731510001	1		O46/8×4	Left longeron
15	AZ9731513801	1		O38/8×4	Left longeron
16	AZ9731510002	1		O46/8×4	Right longeron
16	AZ9731513802	1		O38/8×4	Right longeron

C7-10

CHASSIS FRAME FOR B32/8×4/B32/8×4车架

Fig. C7-10

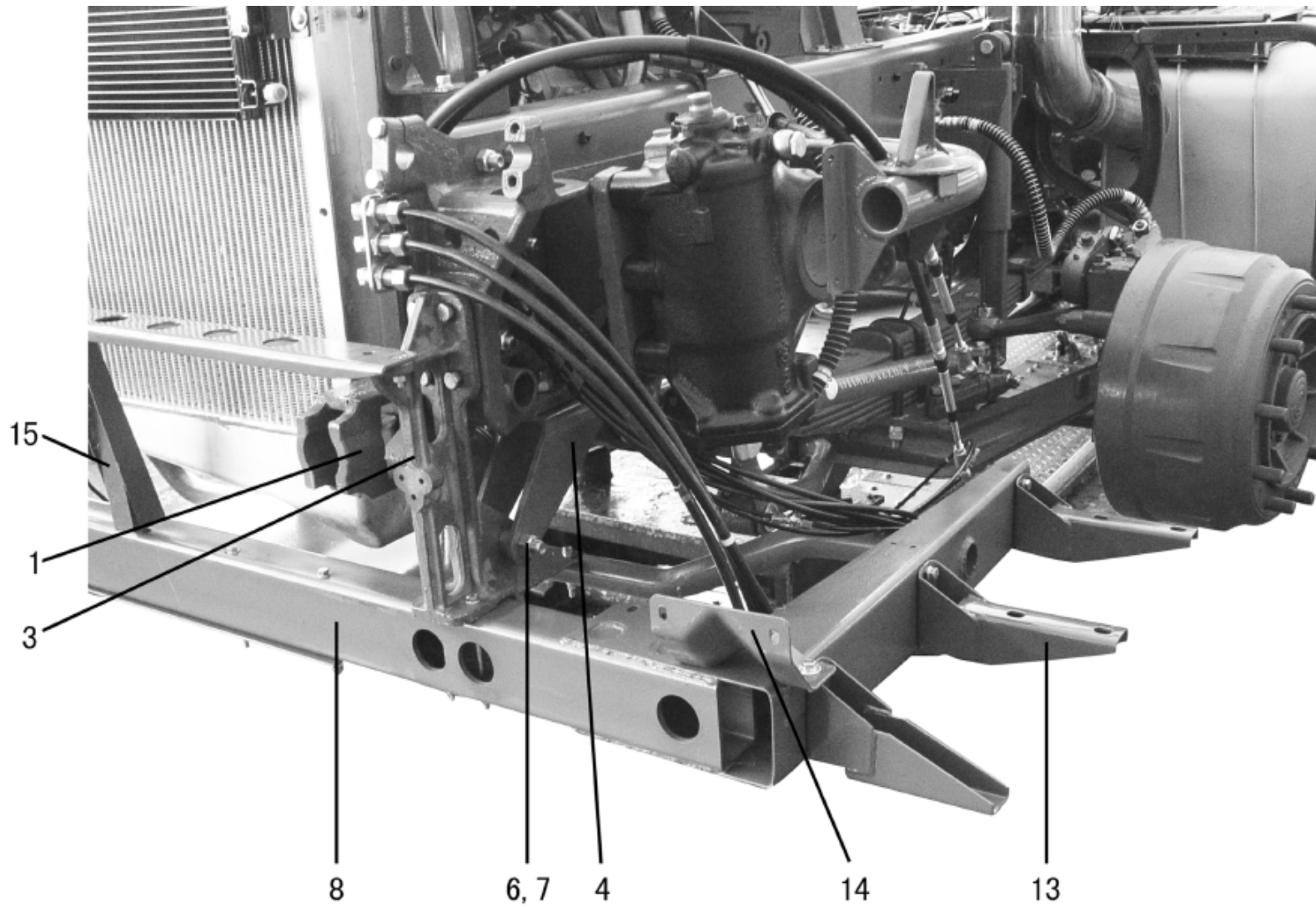


C7-10

CHASSIS FRAME FOR B32/8×4/B32/8×4车架

No	Number of part	Quantity	Description	Applicability	Designation
—	AZ9731513210	1			Chassis frame
1	AZ9725510040	1			Cross member
3	AZ9725510015	2			Bracket
5	AZ9725510021	2			Plate
6	AZ9632512020	1			Cross member
7	1780 510196	2			Bracket
8	AZ9725510050	1			Cross member
9	AZ9716510010	1			Cross member
10	AZ9719510010	1			Cross member
11	AZ9731510010	1			Cross member
12	AZ9731513211	1			Left longeron
13	AZ9731513212	1			Right longeron

C7-11 BRACKET FOR BUMPER, TOWING HOOK FRONT/保险杠支架, 前牵引装置 Fig. C7-11



C7-11 BRACKET FOR BUMPER, TOWING HOOK FRONT/保险杠支架, 前牵引装置

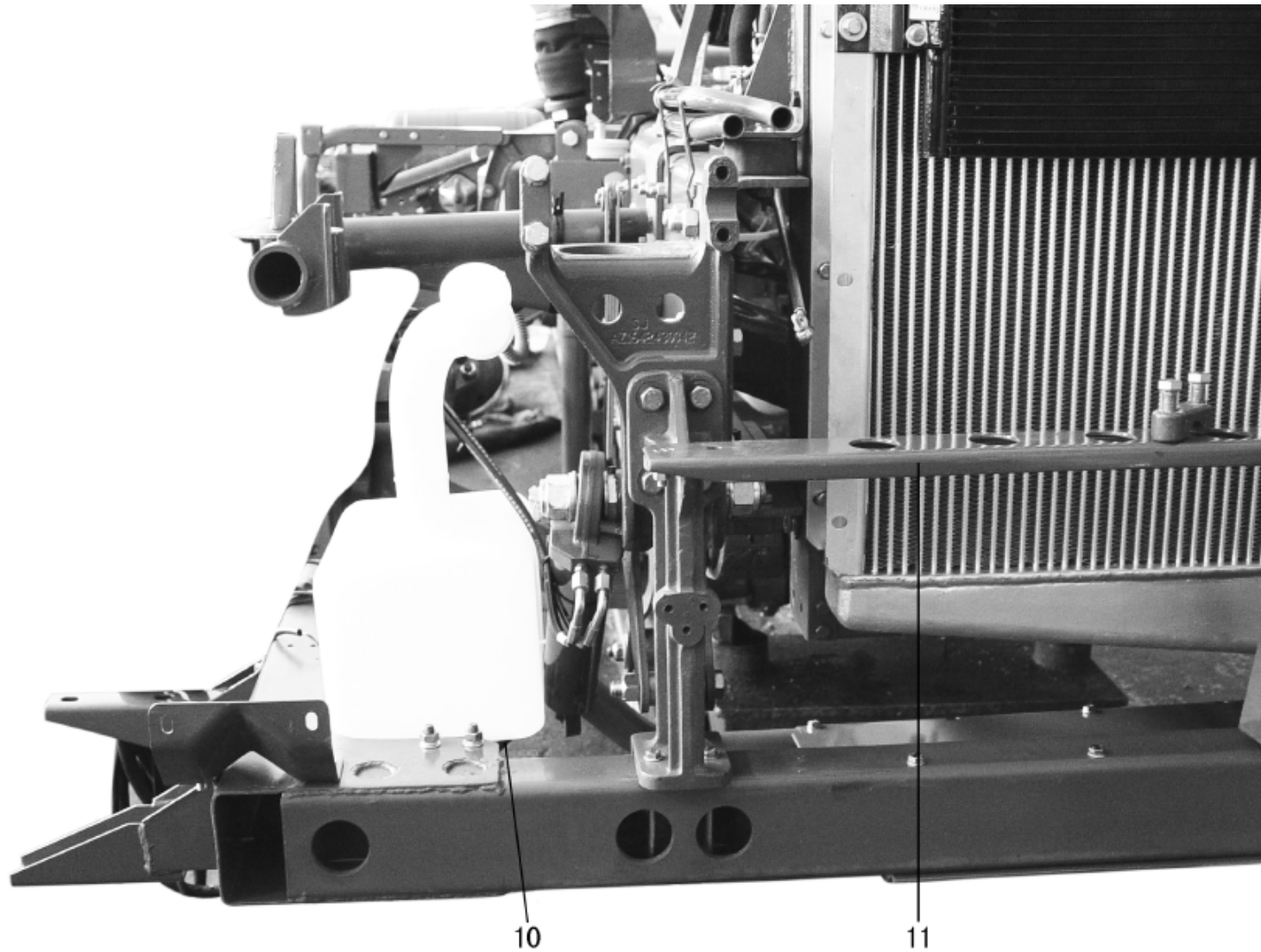
No	Number of part	Quantity	Description	Applicability	Designation
1	AZ9725930028	1			Towing seat
1a	Q151B1660	2			Screw
1b	190003888459	2			Nut
1c	Q151B1465	3			Screw
1d	190003888458	3			Nut
2	AZ9114930094	1			Towing hitch
2a	AZ9114930093	1			Towing hook
3	AZ9725930002	2			Bracket for bumper
3	AZ9725930007	2		For high bumper	Bracket for bumper
3a	Q151C1230	8			Screw
3b	Q40312	8			Spring washer
4	AZ9725930003	2			Aux.support
4a	Q151B1445	4			Screw
4b	190003888458	4			Nut
6	AZ9725930004	2			Sleeve
7	AZ9725930005	2			Sleeve
7a	Q151B1690	2			Screw
7b	190003888459	2			Nut
8	WG9725930010	1			Protector
8	WG9725930060	1		For high bumper	Protector
8a	Q150B1025	8			Screw
8b	Q33210	8			Nut
9	AZ9725930006	2			Front bracket for bumper
9	AZ9725930008			For high bumper	Front bracket for bumper
9a	Q150B1025	4			Screw
9b	Q40210	4			Washer
9c	Q33210	4			Nut



C7-11

BRACKET FOR BUMPER, TOWING HOOK FRONT/保险杠支架, 前牵引装置

Fig. C7-12



C7-11

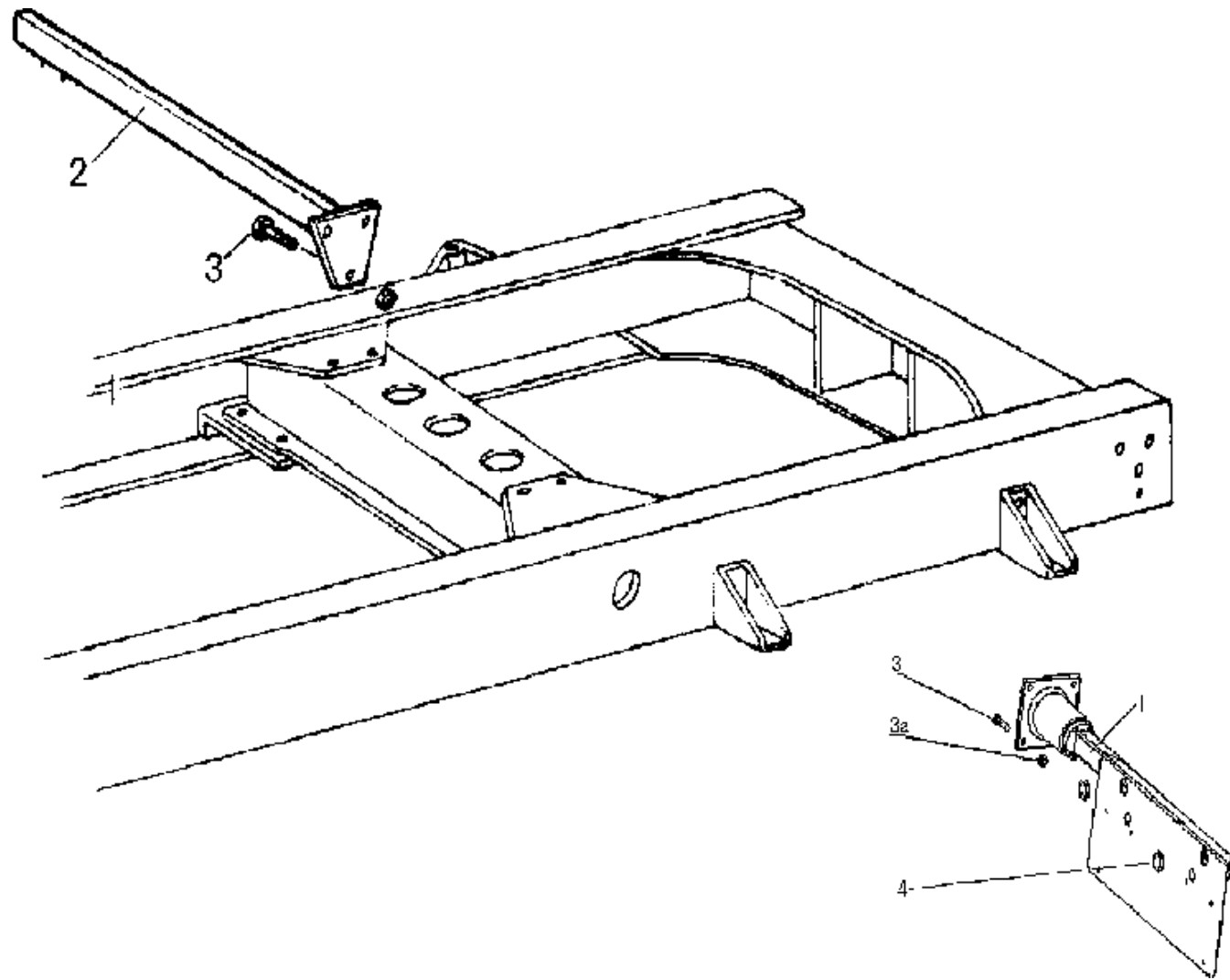
BRACKET FOR BUMPER, TOWING HOOK FRONT/保险杠支架, 前牵引装置

No	Number of part	Quantity	Description	Applicability	Designation
10	AZ9725930040	1			Bracket for windscreen washing water tank
10	AZ9725930045	1		For high bumper	Bracket for windscreen washing water tank
10a	Q40210	2			Washer
10b	Q33210	2			Nut
10c	Q150B0860	1			Screw
10d	Q40208	2			Washer
10e	Q33208	1			Nut
11	AZ9725930050	1			Protector for after cooler
11	AZ9725930053			For high bumper	Protector for after cooler
11a	Q150B08130	5			Screw
11b	Q150B0860	5			Screw
11c	Q40208	10			Washer
11d	Q33208	10			Nut
12	WG9725930009	2			Bottom bracket for bumper
12	AZ9725930054	2		For high bumper	Bottom bracket for bumper
12a	Q150B0825	4			Screw
12b	Q40208	4			Washer
12c	Q40308	4			Spring washer
13	WG9725930017	4			Bracket for step
13	AZ9725930049	4		For high bumper	Bracket for step
13a	Q150B0825	8			Screw
13b	Q40208	8			Washer
13c	Q40308	8			Spring washer
14	WG9725930029	1			Support for bumper
14a	Q2540825	2			Screw
14b	Q33208	2			Nut
15	AZ9725930037	1			Middle bracket for bumper
15	AZ9725930034			For high bumper	Middle bracket for bumper
15a	Q2540820	1			Screw
15b	Q33208	1			Nut

C7-12

TAIL LIGHTS AND NUMBER PLATE CARRIER/牌照及尾灯支架

Fig. C7-13



C7-12

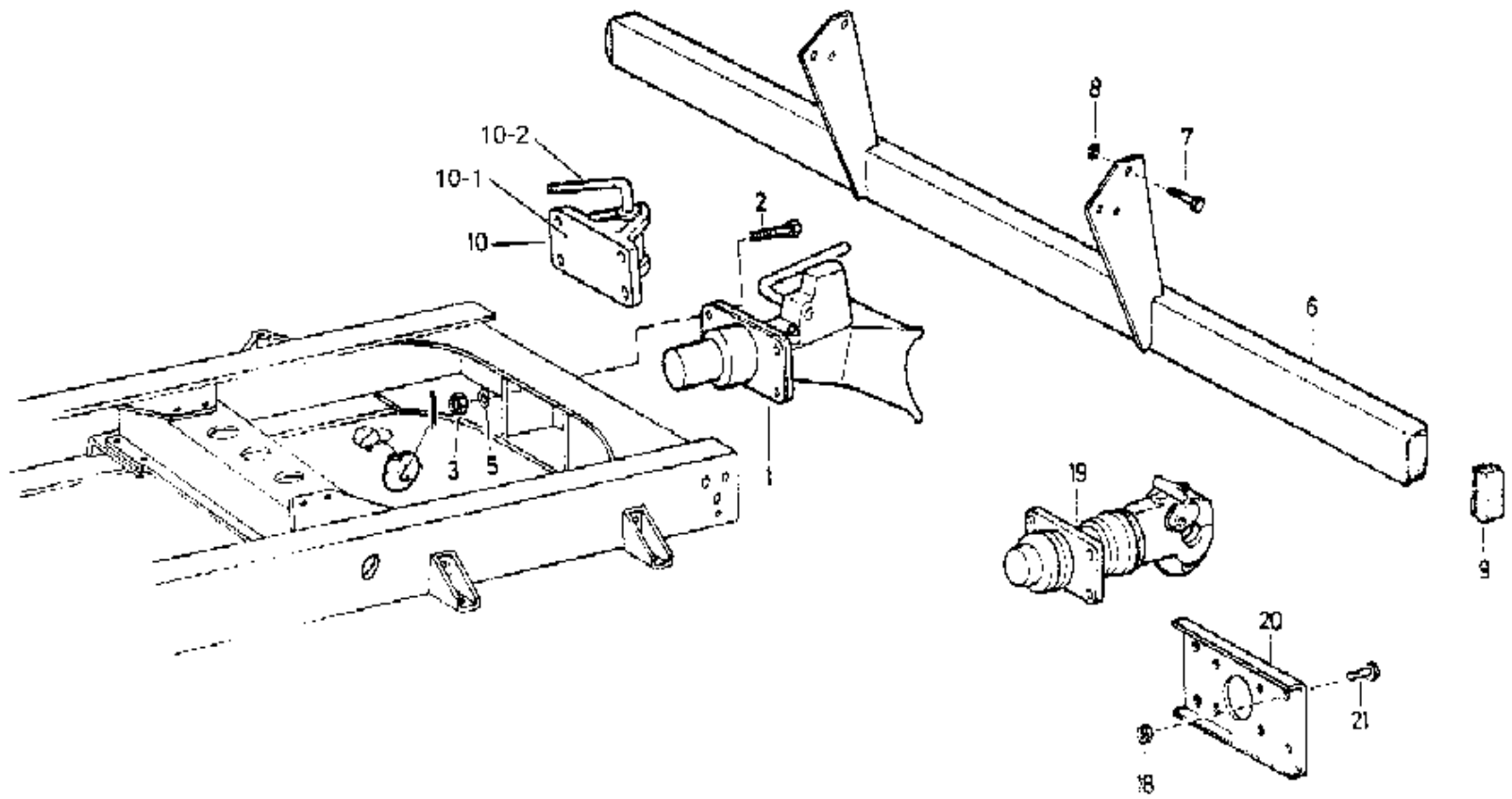
TAIL LIGHTS AND NUMBER PLATE CARRIER/牌照及尾灯支架

No	Number of part	Quantity	Description	Applicability	Designation
1	AZ9716940001	1		No incl.tractor truck	Tail light bracket left
2	AZ9716940007	1		No incl.tractor truck	Tail light bracket right
3	Q150B1030	6		No incl.tractor truck	Screw
3a	Q33210	6		No incl.tractor truck	Nut
4	AZ9716940004	1		No incl.tractor truck	Rubber plug

C7-13

BOTTOM PROTECTION, TRAILER COUPLING/后保险杠及牵引装置

Fig. C7-14



C7-13

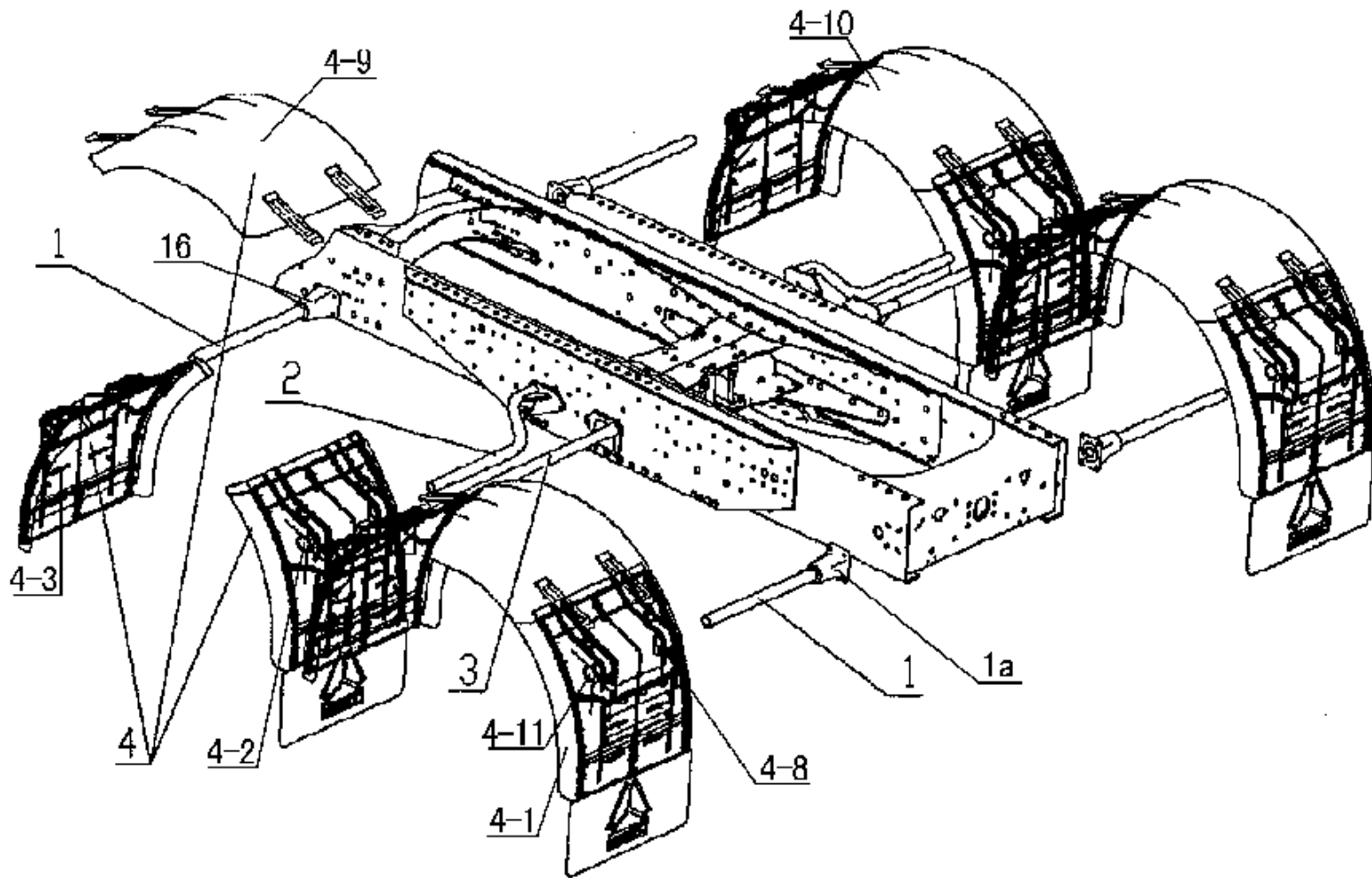
BOTTOM PROTECTION, TRAILER COUPLING/后保险杠及牵引装置

No	Number of part	Quantity	Description	Applicability	Designation
1	199000930113	1		Optional	Trailer coupling
2	Q150B1660	4			Screw
3	Q33216	4			Nut
6	AZ9725930104	1		No inc.tractor truck	Bumper rear
6	AZ9124930015	1		No inc.tractor truck	Bumper rear
7	Q150B1655	4		No inc.tractor truck	Screw
7a	190003937830	6		No inc.tractor truck	Washer
7b	199400930003	2		No inc.tractor truck	Sleeve
8	Q33216	4		No inc.tractor truck	Nut
9	WG9100930150	2		No inc.tractor truck	Cover
9	AZ9725930103	2		No inc.tractor truck	Cover
10	WG9000930047				Trailer coupling
10-1	WG9000930047-1	1			Towing seat
10-2	WG9000930047-2	1			Towing hitch
19	199114930110	1		Optional	Trailer coupling

C7-14

REAR MUDGUARD FOR TRACTOR/牵引车后挡泥板

Fig. C7-15



C7-14

REAR MUDGUARD FOR TRACTOR/牵引车后挡泥板

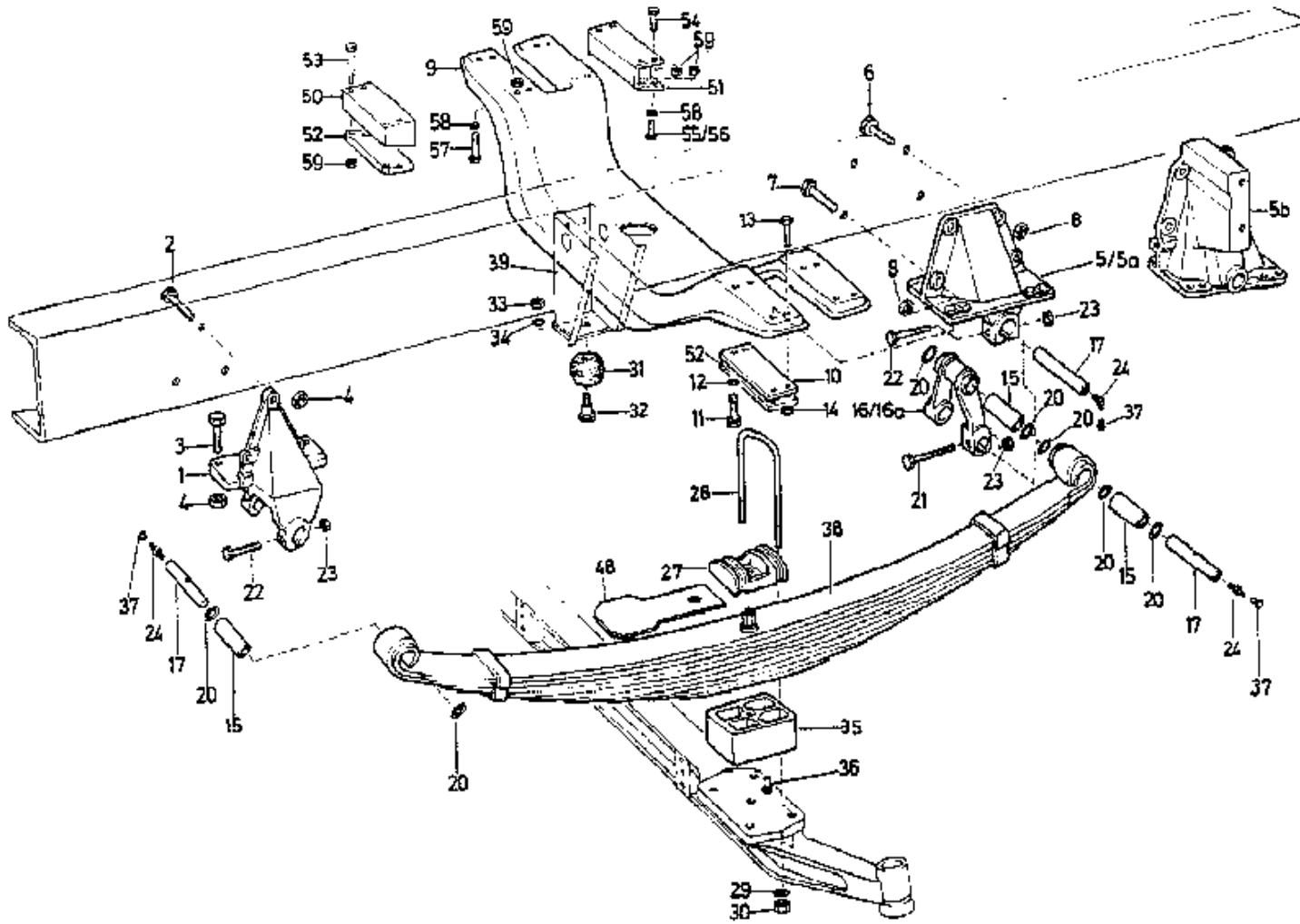
No	Number of part	Quantity	Description	Applicability	Designation
1	AZ9725952020	4		6×4, 8×4	Tubular beam
1	WG9719950026	4		4×2	Tubular beam
1a	AZ9719950028	2		4×2	Rear connecting block
1b	AZ9719950029	2		4×2	Front connecting block
1	AZ9725950012	1		6×2	Front bracket left
1a	AZ9725950012	1		6×2	Front bracket right
1b	AZ9112951201	2		6×2	Rear bracket
2	WG9725952010	2		6×4, 8×4	Tubular beam
3	WG9725952011	2		6×4, 8×4	Tubular beam
4	WG9725950120	1		6×4, 8×4	Rear mudguard
4	WG9719950110	1		4×2	Rear mudguard
4	WG9719950111	1		6×2	Rear mudguard
4-1	WG9719950130/1	8		6×4, 8×4	Segment mudguard
4-1	WG9719950130/1	4		4×2, 6×2	Segment mudguard
4-2	WG9719950135/1	4		6×4, 8×4	Sheet rear
4-2	WG9719950135/1	2		4×2, 6×2	Sheet rear
4-3	WG9719950137/1	4		6×4, 8×4	Sheet front
4-3	WG9719950137/1	2		4×2, 6×2	Sheet front
4-4	WG9719950141/1	24		6×4, 8×4	Pressure plate I
4-4	WG9719950141/1	12		4×2, 6×2	Pressure plate I
4-5	WG9719950142/1	8		6×4, 8×4	Pressure plate II
4-5	WG9719950142/1	4		4×2, 6×2	Pressure plate II
4-6	WG9719950143/1	4		6×4, 8×4	Pressure plate III
4-6	WG9719950143/1	2		4×2, 6×2	Pressure plate III
4-7	WG9719950144/1	12		6×4, 8×4	Washer
4-7	WG9719950144/1	6		4×2, 6×2	Washer
4-8	WG9719950150/1	2			Tail light bracket
4-9	WG9719950155/1	4		6×4, 8×4	Top cover
4-9	WG9719950155/1	2		4×2, 6×2	Top cover
4-10	WG9719950156/1	16		6×4, 8×4	Rubber hook
4-10	WG9719950156/1	8		4×2, 6×2	Rubber hook
4-11	WG9719950159/1	8		6×4, 8×4	Plug
4-11	WG9719950159/1	4		4×2, 6×2	Plug
4-12	WG9719950161/1	16		6×4, 8×4	Inter bracket
4-12	WG9719950161/1	8		4×2, 6×2	Inter bracket
4-13	WG9719950162/1	16		6×4, 8×4	Outer bracket
4-13	WG9719950162/1	8		4×2, 6×2	Outer bracket
4-14	WG9719950163/1	16		6×4, 8×4	Washer
4-14	WG9719950163/1	8		4×2, 6×2	Washer

4—15	Q1840860	16		6×4, 8×4	Screw
4—15	Q1840860	8		4×2, 6×2	Screw
4—16	Q33008	16		6×4, 8×4	Nut
4—16	Q33008	8		4×2, 6×2	Nut
4—17	Q2716319	200		6×4, 8×4	Screw
4—17	Q2716319	100		4×2, 6×2	Screw

C8-1

4×2、6×2、6×4 FRONT SPRING/4×2、6×2、6×4前悬架

Fig. C8-1



C8-1

4×2、6×2、6×4 FRONT SPRING/4×2、6×2、6×4前悬架

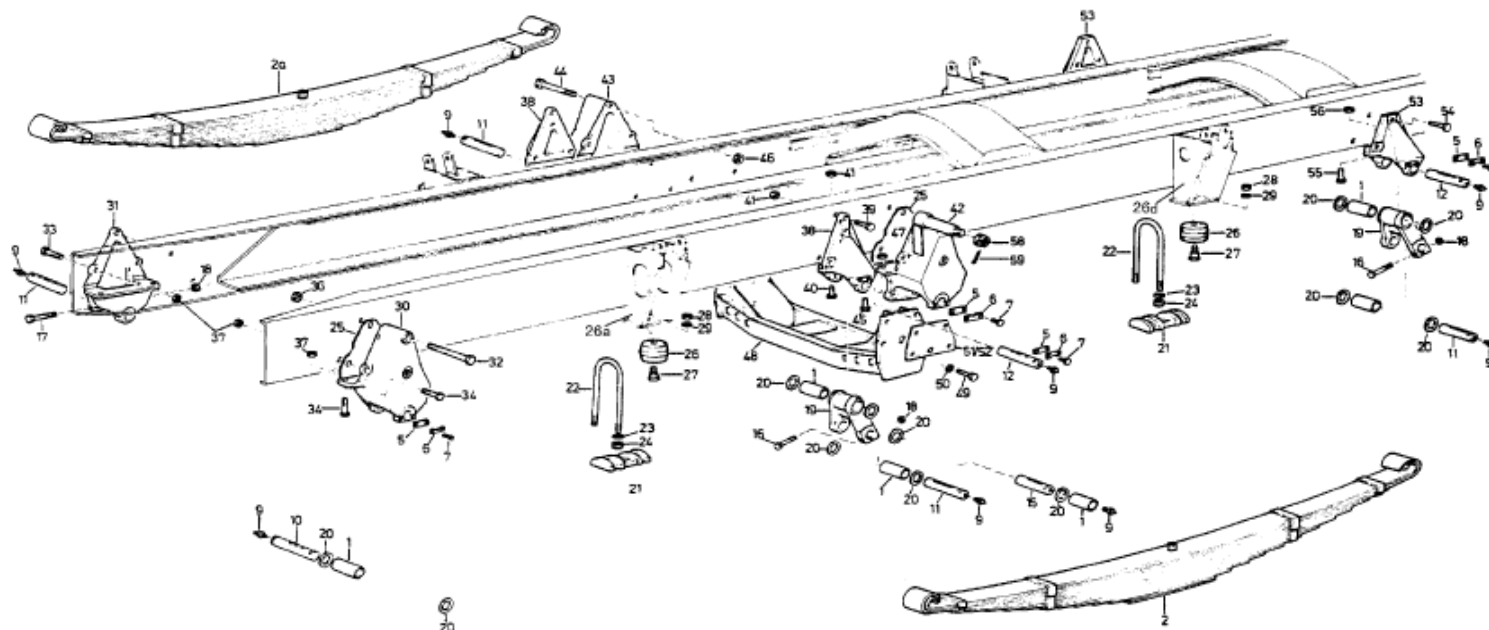
No	Number of part	Quantity	Description	Applicability ※	Designation
1	AZ9719520005	2			Spring bracket front
2	Q151B1665	6			Screw
3	Q151B1650	4			Screw
4	19003888459	10			Nut
5	AZ9232520010	1			Spring bracket rear,left
5a	AZ9232520011	1			Spring bracket rear,right
6	Q151B1650	8			Screw
8	190003888459	8			Lock nut
9	WG9114510510	1			Cross member
10	199100520025	8			Plate
13	Q151G1260	16			Screw
14	190003888457	16			Lock nut
15	WG9000520078	4			Bush
16	WG9100520034	2			Spring shackle front C
17	WG9100520065	6			Spring bolt
20	1680 520050	12			Washer
21	Q151C1270	2			Screw
22	Q151C1275	4			Screw
23	190003888457	6			Nut
24	190003963115	2			Grease nipple
26	190003963127	4			Grease nipple
27	WG80 52 0002	2			Plate
28	AZ9100520015	4		K/4×2, 0, S	Spring clip
28	199014520259	4		K/6×4	Spring clip
29	1680 52 0056	8			Washer
30	190003888626	8			Lock nut
31	WG9323520010	2			Spring stop
32	1880520019	2			Screw
33	Q340B10	2			Nut
34	Q40310	2			Spring washer
38	WG9100520002	1		K/4×2, 0, S	Front spring C,left
38	WG9100520042	1		K/4×2, 0, S	Front spring C,right
38	WG9725520072	1		K/6×4	Front spring C,left
38	WG9725520073	1		K/6×4	Front spring C,right
39	AZ9731520034	2			Bracket for spring stop
39a	Q150B1240	4			Screw
39b	Q150B1230	4			Screw
39c	Q33212	8			Lock nut

※ K—Tipper truck O—Cargo truck S—Tractor truck

C8-2

8×4 FRONT SPRING/8×4前悬架

Fig. C8-2



C8-2

8×4 FRONT SPRING/8×4前悬架

No	Number of part	Quantity	Description	Applicability	Designation
1	WG9000520078	12			Bush
2	WG9731520011	2			Front spring C,left
2a	WG9731520012	2			Front spring C,right
3	199000520006	4			Guide bolt
5	147000520019	7			Latch
6	147000520020	7			Security sheet
7	Q150B0820	14			Screw
9	190003963115	7			Grease nipple
9a	190003963127	5			Grease nipple
10	189000520015	1			Spring bolt
11	WG9100520065	5			Spring bolt
12	199100520080	4			Spring bolt
15	179000520040	2			Spring bolt
16	Q151C1270	4			screw
17	Q151C1275	1			Screw
18	190003888457	5			Lock nut
19	WG9100520034	4			Spring shackle front C
20	1680 51 0050	24			Washer
21	WG80 52 0002	4			Plate
22	199000520086	4			Spring clip
22a	1990 520003	4			Spring clip
23	1680 52 0043	16			Washer
24	190003888626	16			Lock nut
26	WG9232520010	4			Spring stop
26a	AZ9731520034	2			Bracket
26b	Q150B1240	4			Screw
26c	Q150B1230	4			Screw
26d	AZ9731520007	2			Bracket
26e	Q150B12105	4			Screw
26f	Q33212	12			Nut
30	AZ9719520005	2			Spring bracket front
32	Q151B1665	4			Screw
33	Q151B1650	4			Screw
36	190003888459	1			Lock nut
38	179000520050	2			Spring bracket rear
39	Q151B1460	6			Screw
40	Q151B1455	4			Screw
41	190003888458	10			Lock nut
42	AZ9731520024	1			Spring bracket left
43	AZ9731520021	1			Spring bracket right
43a	AZ9731520005	2			Bracket
43b	AZ9731520010	2			Washer
44	Q151B16140	2			Screw
44a	Q151B14120	4			Screw

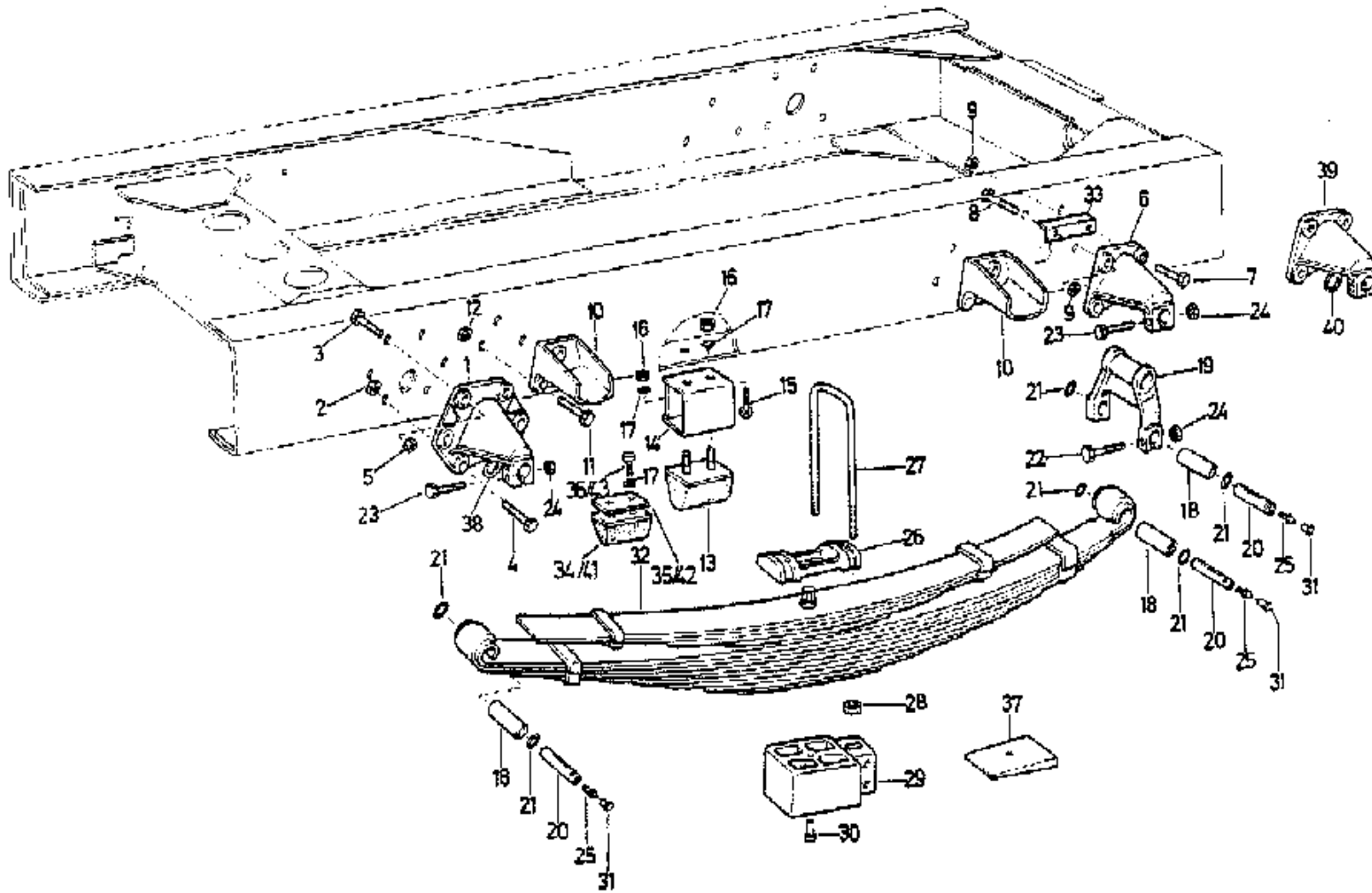
45	Q151B1650	4			Screw
46	190003888459	2			Lock nut
47	190003888458	8			Lock nut
48	AZ9731510020	1			Bracket C
49	Q151B1440	8			Screw
50	Q41214	8			Toothed washer
53	AZ9731520004	2			Spring bracket rear
53a	AZ9731520005	2			Bracket
53b	AZ9731520010	2			Washer
54	Q151B1460	6			Screw
55	Q151B1455	2			Screw
56	190003888458	8			Lock nut



C8-3

4×2 REAR SPRING/4×2后悬架

Fig. C8-3



C8-3

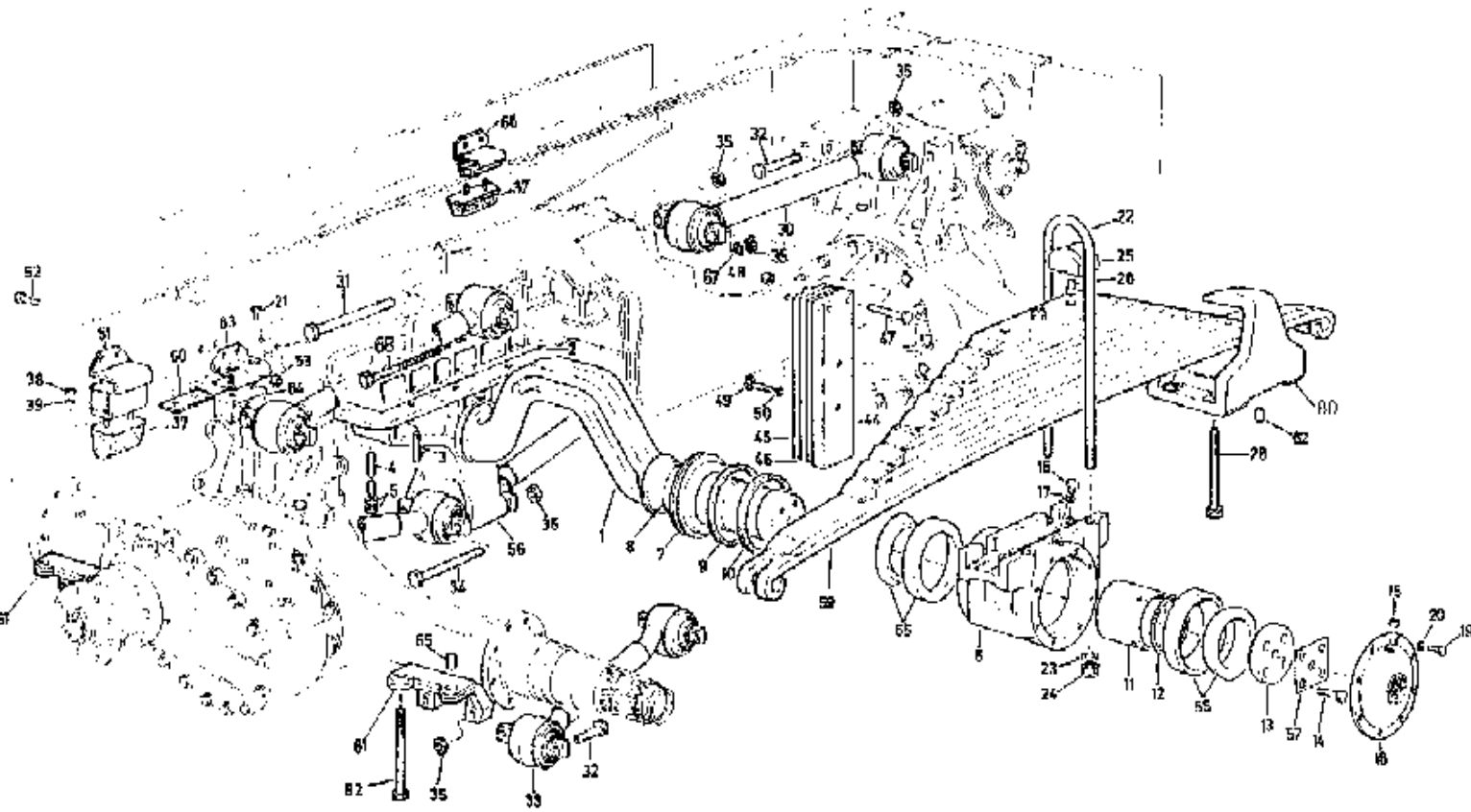
4×2 REAR SPRING/4×2后悬架

No	Number of part	Quantity	Description	Applicability	Designation
1	AZ9719520007	2			Spring bracket rear
1a	AZ9719520018	2			Washer
3	Q151B1655	8			Screw
3a	190003888459	8			Lock nut
4	Q151B1855TF2	4			Screw
5	190003888626	4			Nut
6	AZ9719520019	2		S/4×2	Spring bracket rear
6	AZ9719520008	2		O/K/4×2	Spring bracket rear
6a	AZ9719520018	2			Washer
7	Q151B1650	8			Screw
9	190003888459	8			Lock nut
10	AZ9719520140	4		O/K/4×2	Stop bracket
10	AZ9719520010	1		S/4×2	Stop bracket, left, front
10a	AZ9719520011	1		S/4×2	Stop bracket, right, front
10b	AZ9719520012	1		S/4×2	Stop bracket, left, rear
10c	AZ9719520013	1		S/4×2	Stop bracket, right, rear
10d	AZ9719520016	4		S/4×2	Plug
11	Q151B1445	16			Screw
12	190003888458	14			Nut
14	199100520112	2			Plate
17	Q40310	4			Spring washer
18	WG9000520079	4			Bush
19	WG9100520018	2			Spring shackle C
20	199100520006	6			Spring bolt
21	1680 52 0050	12			Washer
22	Q151C1270	2			Screw
23	Q151C1275	4			Screw
24	190003888457	6			Lock nut
25	190003963124	6			Grease nipple
26	AZ9719520009	2		S/O/4×2	Plate
26	199014520295	2		K/4×2	Plate
27	AZ9112520312	4			Spring clip
27	199000520109	4		K/4×2	Spring clip
32	WG9719520020	2			Spring rear
34	AZ9725520048	2		O/S/4×2	Stop C for rear axle
34	AZ9725520047	2		K/4×2	Stop C for rear axle
35	AZ9725520041	2		K/4×2	Plate
36	Q151B1260	4			Screw
36a	Q33212	4			Nut
38	WG9000520089	2			Washer

C8-4

6×4, 8×4 SWIVEL SPRING AND SUSPENSION/6×4, 8×4平衡悬架

Fig. C8-4



C8-4

6×4, 8×4 SWIVEL SPRING AND SUSPENSION/6×4, 8×4平衡悬架

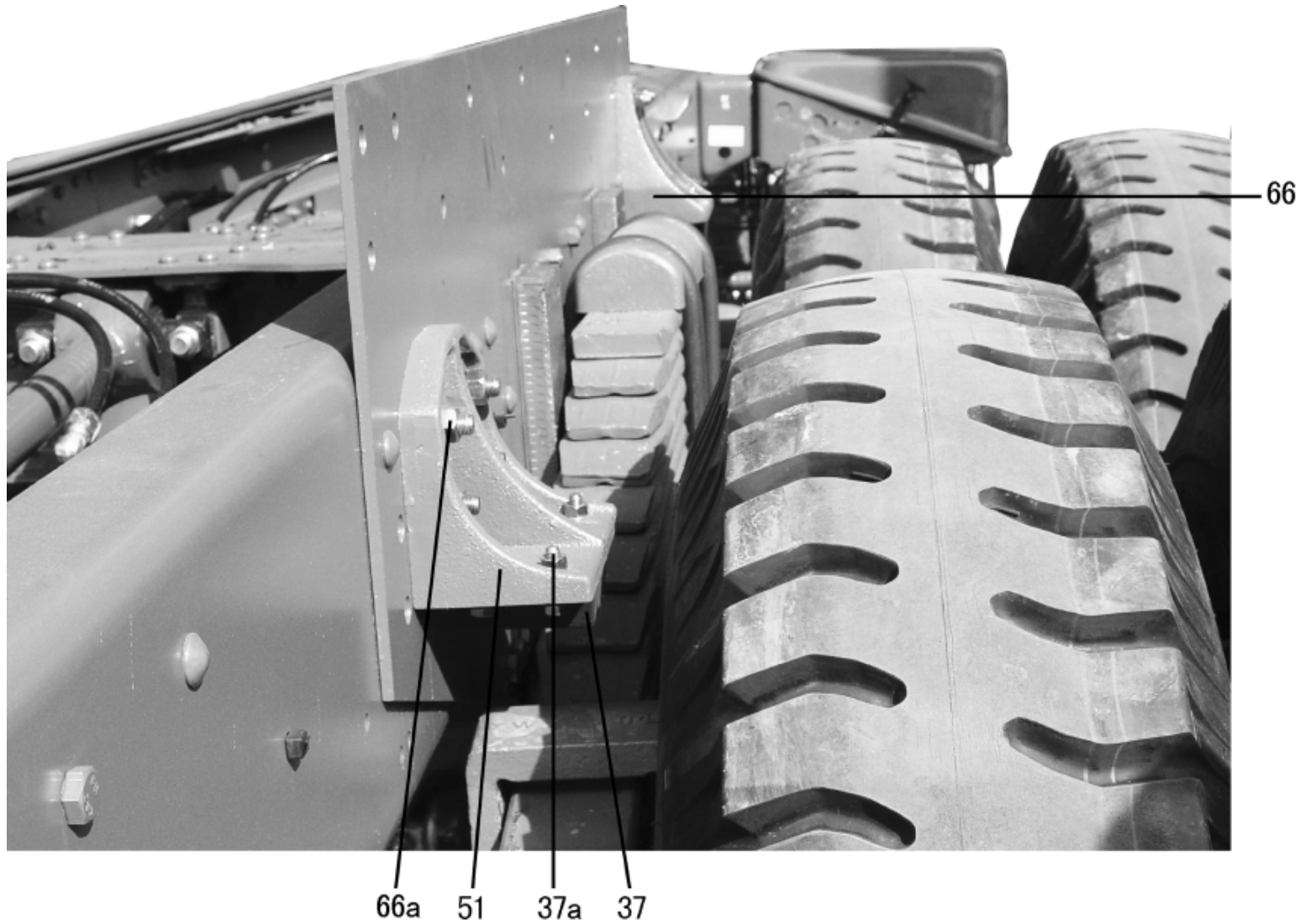
No	Number of part	Quantity	Description	Applicability	Designation
0	AZ9725520110	1			Balance shaft C with housing(inc.1~20,55)
0	AZ9725520100	1		S/6×4/8×4	Balance shaft C with housing(inc.1~20,55)
0	AZ9725520022	1		0, K/6×4/8×4	Balance shaft C with housing(inc.1~20,55)
1	AZ9232520004	1			Balance shaft
3	Q5211645	2			Pin
4	WG9014520227	28			Stud
5	190003871353	28			Nut
6	199114520035	2			Balance shaft housing
6	199114520233	2			Balance shaft housing
7	199114520136	2			Bearing sealing cover
8	1614 130062	2			Sealing ring
9	AZ9114520223	2			Sealing ring
10	AZ9114520222	2			Ring
11	199014520191	2			Bush
12	199014520192	2			Space washer
12a	199014520193	2			Space washer
12b	199014520194	2			Space washer
12c	199014520303	2			Space washer
12d	199014520306	2			Space washer
12e	99114520059	2			Space washer
12f	AZ9100520008	2			Space washer
13	199014520265	2			Stop washer
14	Q171B1655TF2	8			Screw
14a	WG9114520041	2			Screw
15	190003962021	2			Screw
15	190003962021	2			Screw
16	Q150B0810	2			Screw
17	Q72308T5F	2			Gasket
18	199014520311	2			Cover
19	Q150B0820	16			Screw
20	Q40308	16			Spring washer
22	AZ9725520037	4		For WG9232520008	Spring clip
22	AZ9725520053	4		For WG9638520008	Spring clip
22	AZ9725520055	4		For WG9731520013	Spring clip
22	199114520234	4		For WG9232520232	Spring clip
23	1880340022	8			Washer
24	190003888749	8			Lock nut
25	AZ9638520005	2			Spring clip plate
26	199000520006	4			Guide bolt
27	AZ9725520001	1			Bracket left,front
27a	AZ9725520002	1			Bracket right,front
27b	AZ9725520003	1			Bracket left,rear
27c	AZ9725520004	1			Bracket right,rear
27	AZ9725520011	1			Bracket left,front

27a	AZ9725520012	1			Bracket right,front
27b	AZ9725520058	1			Bracket left,rear
27c	AZ9725520059	1			Bracket right,rear
27	AZ9638520001	1		For WG9638520008	Bracket left,frowt
27a	AZ9638520002	1		For WG9638520008	Bracket right,frowt
27b	AZ9638520003	1		For WG9638520008	Bracket left,rear
27c	AZ9638520004	1		For WG9638520008	Bracket right,rear
28	Q151B22230	16			Screw
30	WG9114521174	4			Bottom brace rod C
30	199114520038	4			Bottom brace rod C
30	DZ9114520175	4			Bottom brace rod C
30	DZ9114520175	4			Bottom brace rod C
31	Q151B2090	2			Screw
32	190003803974	12			Screw
33	WG9114521175	2			Top brace rod C
33	199114520169	2		For 12.00R24	Top brace rod C
33	DZ9114520174	2			Top brace rod C
34	Q151B20200	4			Screw
35	190003888467	18			Lock nut

C8-4

6×4, 8×4 SWIVEL SPRING AND SUSPENSION/6×4, 8×4平衡悬架

Fig. C8-5

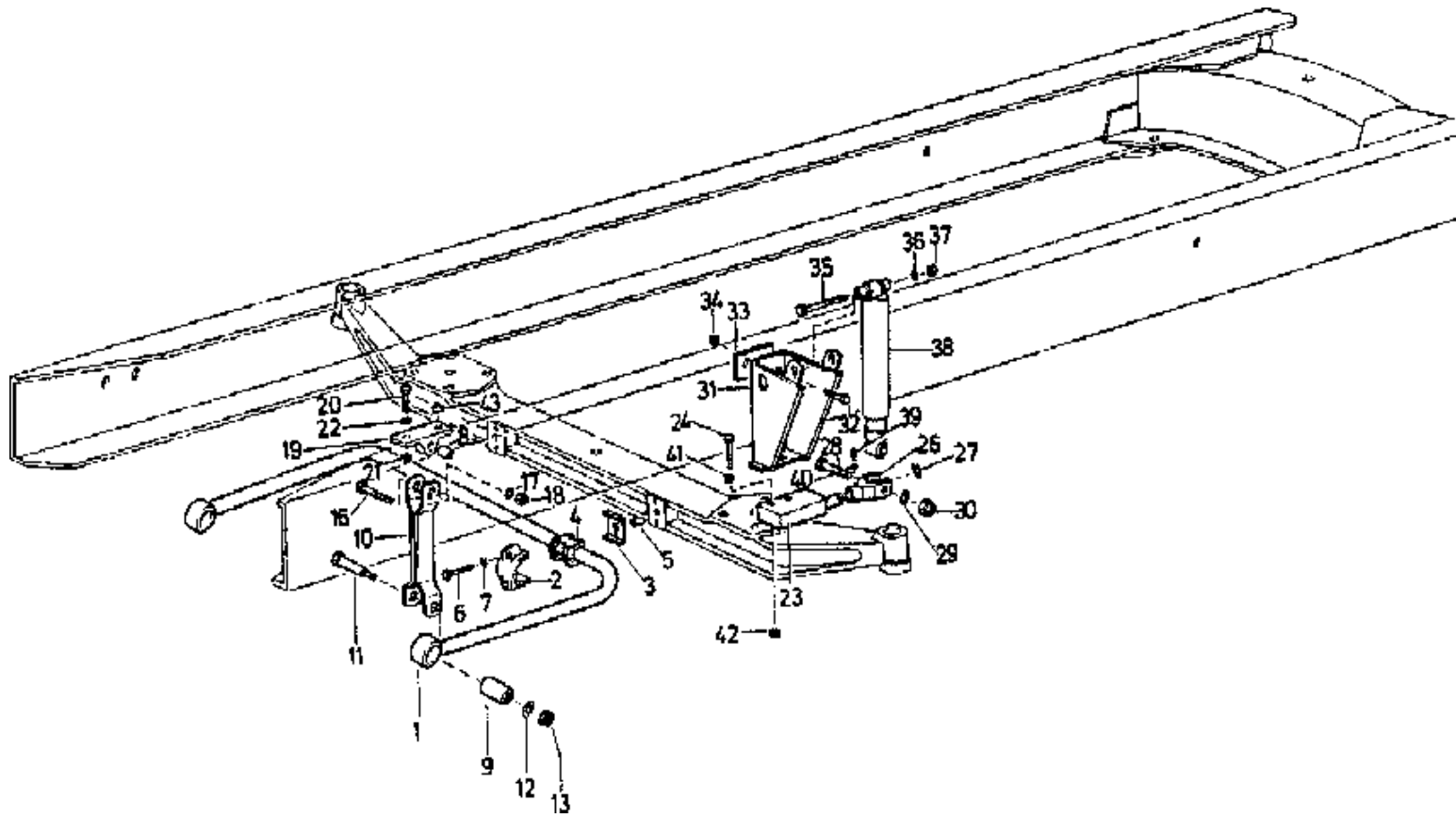


C8-4

6×4, 8×4 SWIVEL SPRING AND SUSPENSION/6×4, 8×4平衡悬架

No	Number of part	Quantity	Description	Applicability	Designation
37	AZ9114520091	4			Stop C
37a	Q150B1035	16			Screw
38	Q340B10	16			Nut
39	Q40310	16			Spring washer
45	WG9232520005	4			Diff.sheet
45	199014520224	4			Diff.sheet
46	199014520224	4			Diff.sheet
46a	199014520204	4			Diff.sheet
47	Q151C1260	12			Screw
48	190003888457	16			Lock nut
49	Q151C1255	4			Screw
50	Q40312	16			Spring washer
51	AZ9232520003	2			Stop bracket
51	AZ9114520098	4		For WG9638520008	Stop bracket
54	199014520019	4			Bolt
55	WG9114520042	4			Ball bearing
55a	199014520188	2			Retaining plate of bearing
56	199014520217	2			Bracket
57	199014520265	2			Lock washer
59	WG9232520008	2		S/O/6×4	Self-stop rear spring C
59	WG9725520010	2		O/S/6×4	Self-stop rear spring C
59	WG9232520028	2		K/6×4, 8×4	Self-stop rear spring C
59	WG9731520013	2		K/6×4, 8×4	Self-stop rear spring C
59	WG9638520008	2	Four main-leaf	K/6×4, 8×4	Self-stop rear spring C
59	WG9232520232	2		For 12.00R24	Self-stop rear spring C
60	199100520112	4			Plate
61	199014520292	2			Bracket left
61a	199014520293	2			Bracket right
61	AZ9725520016	1			Bracket left,front
61a	AZ9725520017	1			Bracket right,front
61b	AZ9725520018	1			Bracket left,rear
61c	AZ9725520019	1			Bracket right,rear
62	199014520256	4			Pin
65	1990003901905	4			Pin
66	AZ9232520002	4			Stop bracket
66	AZ9114520098	4			Stop bracket
66a	Q150B1460	16			Screw
66b	Q340B14	16			Nut
66c	Q40314	16			Spring washer
67	Q40020	1			Washer
69	Q40312	8			Spring washer

C8-5 4×2, 6×4 STABILIZER, SHOCK ABSORBER FRONT/4×2, 6×4前稳定杆与减振器 Fig. C8-6



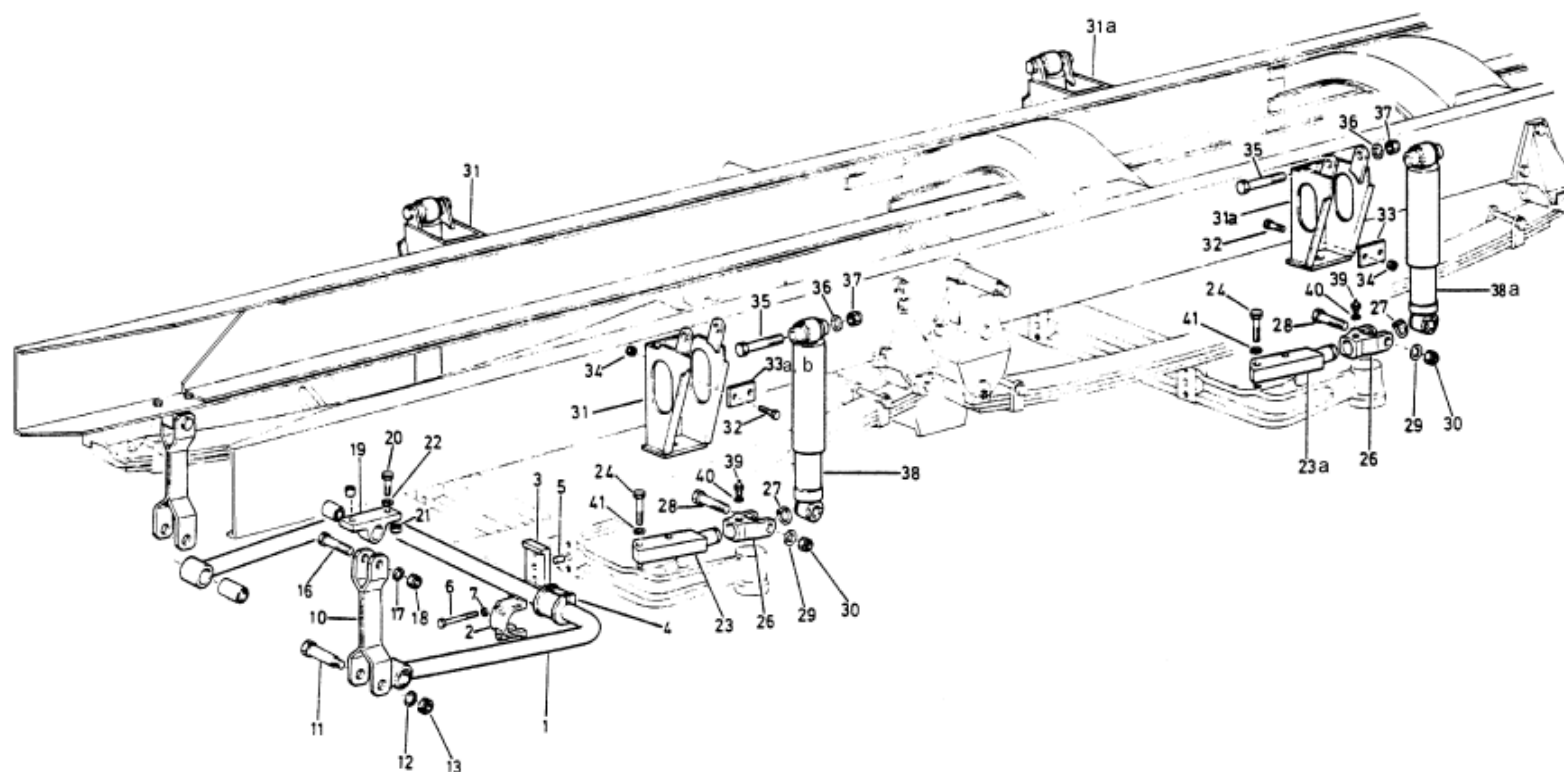
C8-5 4×2, 6×4 STABILIZER, SHOCK ABSORBER FRONT/4×2, 6×4前稳定杆与减振器

No	Number of part	Quantity	Description	Applicability	Designation
1	AZ9719680003	1			Stabilizer C
2	1880 680024	2			Connect plate
3	WG880 680027	2			Plate
4	199100680068	2			Rubber bearing
5	Q5211424	2			Bolt
6	Q150B1095TF2Q	4			Screw
7	Q40310	4			Spring washer
10	WG9100680055	2			Plate
11	199100680069	2			Screw
12	Q40214	2			Washer
13	190003888458	2			Lock nut
16	199100680057	2			Screw
17	Q40016	2			Washer
18	190003888459	2			Lock nut
19	AZ9719680013	2			Bracket C
20	Q151C1240	4			Screw
21	190003888457	4			Lock nut
22	190003936012	2			Washer
23	199100680065	2			Bracket
24	Q151B1660	4			Screw
26	199012680025	2			Fork
27	190003933242	2			Snap ring
28	199012680009	2			Screw
29	Q40116	2			Washer
30	90003888459	2			Nut
31	WG9719680008	1		For long,high-roof cab	Shock absorber bracket C
32	Q151C1240	8			Screw
33	199100680021	4			Plate
34	190003888457	8			Lock nut
35	199100680036	2			Screw
36	Q40016	2			Washer
37	190003888459	2			Lock nut
38	WG9100680001	2			Shock absorber
39	190003963112	2			Grease nipple
41	Q40316	2			Washer

C8-6

8×4 STABLIZER, SHOCK ABSORBER FRONT/8×4前稳定杆与减振器

Fig. C8-7



C8-6

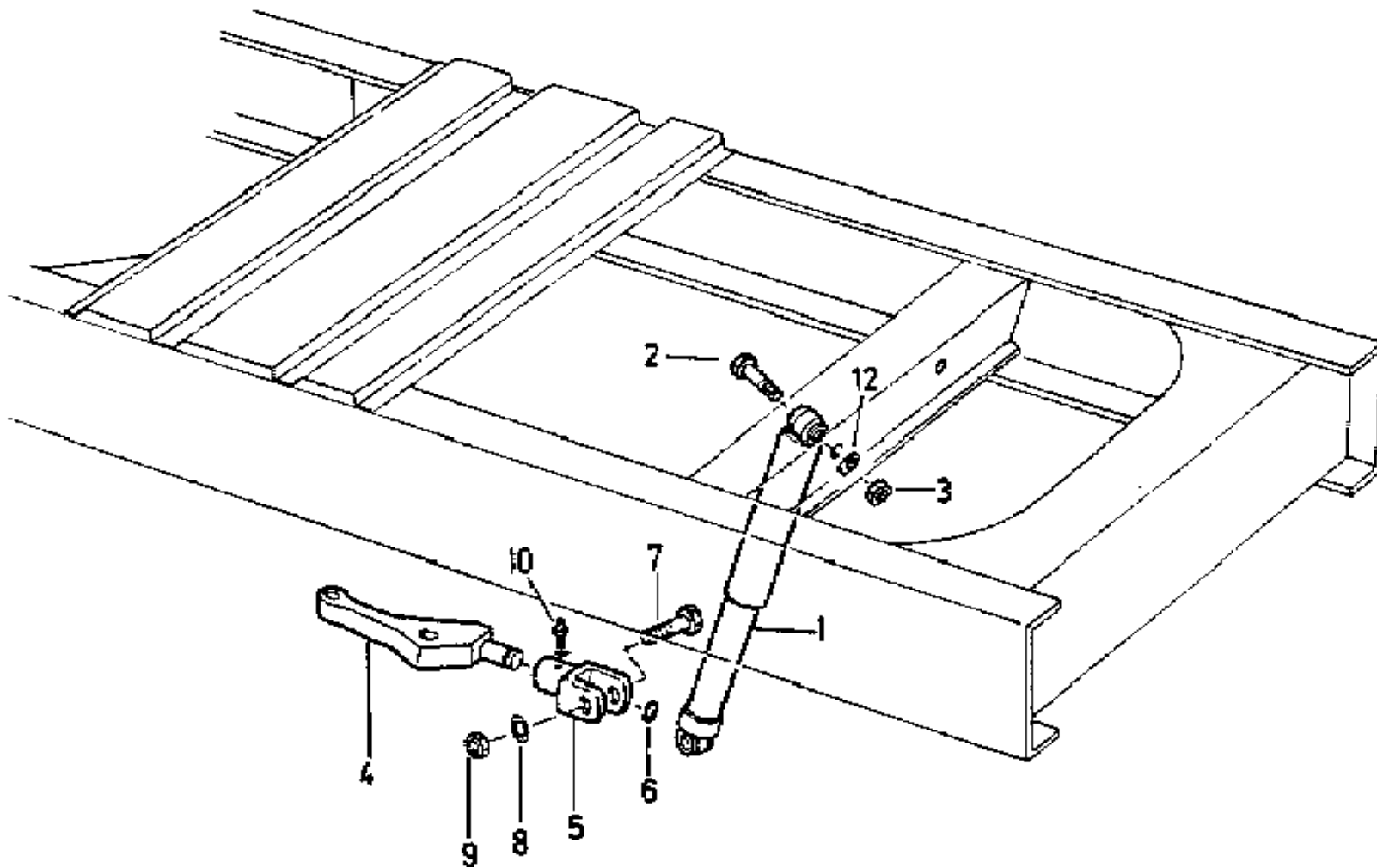
8×4 STABLIZER, SHOCK ABSORBER FRONT/8×4前稳定杆与减振器

No	Number of part	Quantity	Description	Applicability	Designation
1	AZ9719680003	1			Stabilizer
2	1880 680024	2			Connect plate
3	WG880 680027	2			Plate
4	199100680068	2			Rubber bearing
5	Q5211424	2			Pin
6	Q150B1095TF2Q	4			Screw
7	Q40310	42			Spring washer
10	WG9100680055	2			Plate
11	199100680069	2			Screw
12	Q40214	2			Washer
13	190003888458	2			Lock nut
16	199100680057	2			Screw
17	Q40016	2			Washer
18	190003888459	2			Lock nut
19	AZ9719680013	2			Bracket C
20	Q151C1250	4			Screw
21	190003888457	4			Lock nut
23	AZ9731680001	2			Bracket
23a	199100680065	2			Bracket
24	Q151B1660	8			Screw
26	199012680025	4			Joint fork
27	190003933242	4			Circlip
28	199012680009	4			Screw
30	190003888459	4			Lock nut
31	WG9731680005	2			Shock absorber bracket C
31a	WG9731680006	2			Shock absorber bracket C
32	Q151C1240	16			Screw
33	199100680021	4			Connect sheet
33a	AZ9731680007	2			Connect sheet
33b	AZ9731680008	2			Connect sheet
34	190003888457	16			Lock nut
35	199100680036	4			Screw
37	190003888459	4			Lock nut
38	WG9114680004	2			Shock absorber
38a	WG9100680001	2			Shock absorber
39	190003963112	2			Grease nipple
41	Q40316	8			Spring washer

C8-7

4×2 SHOCK ABSORBER/4×2后减振器

Fig. C8-8



C8-7

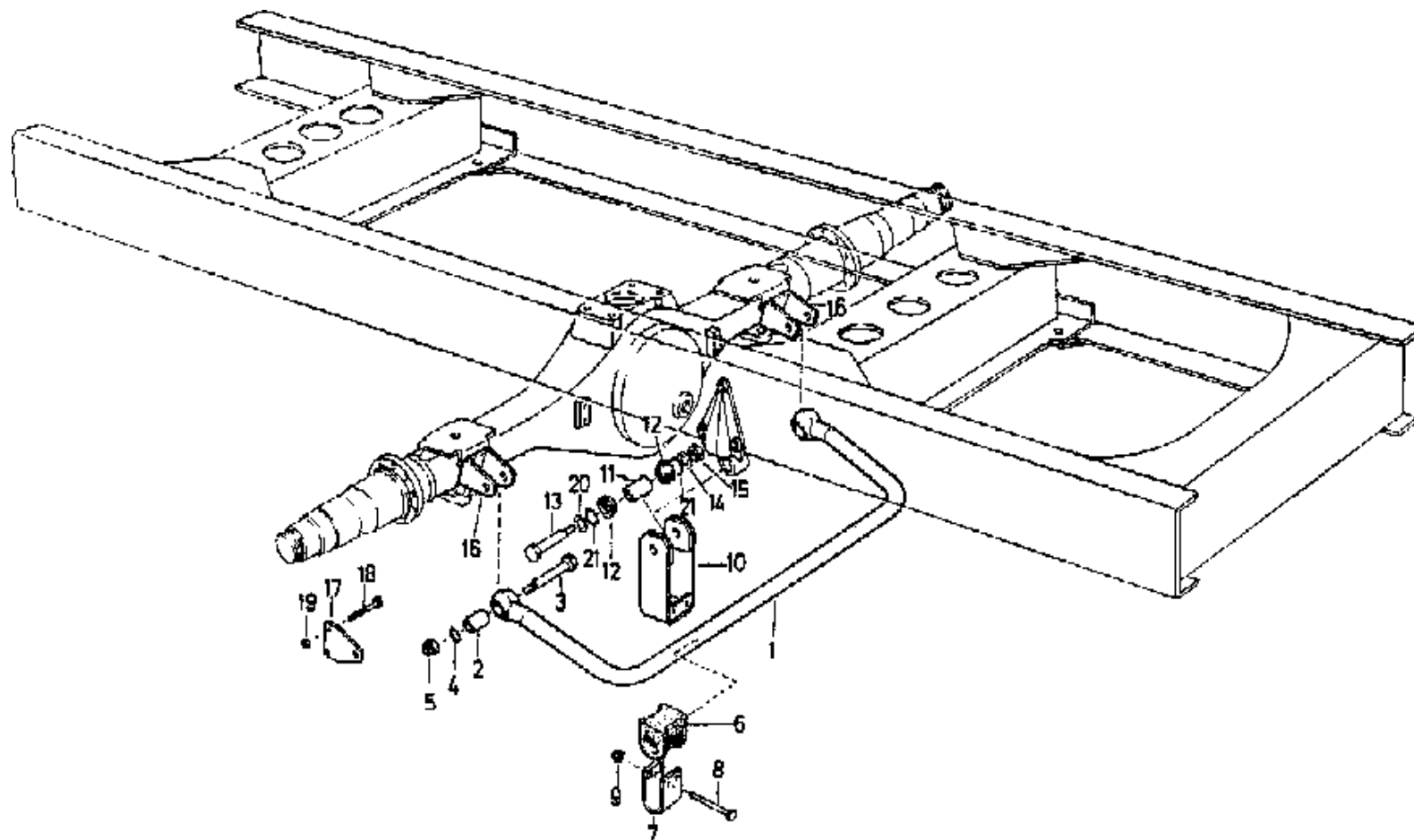
4×2 SHOCK ABSORBER/4×2后减振器

No	Number of part	Quantity	Description	Applicability	Designation
1	WG9100680046	2		S/O/4×2	Shock absorber
2	199100680036	2			Screw
3	190003888459	2			Lock nut
4	AZ9719680010	2			Bracket
5	199012680025	2			Joint fork
6	190003933242	2			Snap ring
7	199012680009	2			Screw
8	Q40116	2			Lock nut
9	190003888459	2			Grease nipple
10	190003953112	2			Washer
12	190003932965	2			Washer

C8-8

4×2 STABLIZER REAR/4×2后稳定器

Fig. C8-9



C8-8

4×2 STABLIZER REAR/4×2后稳定器

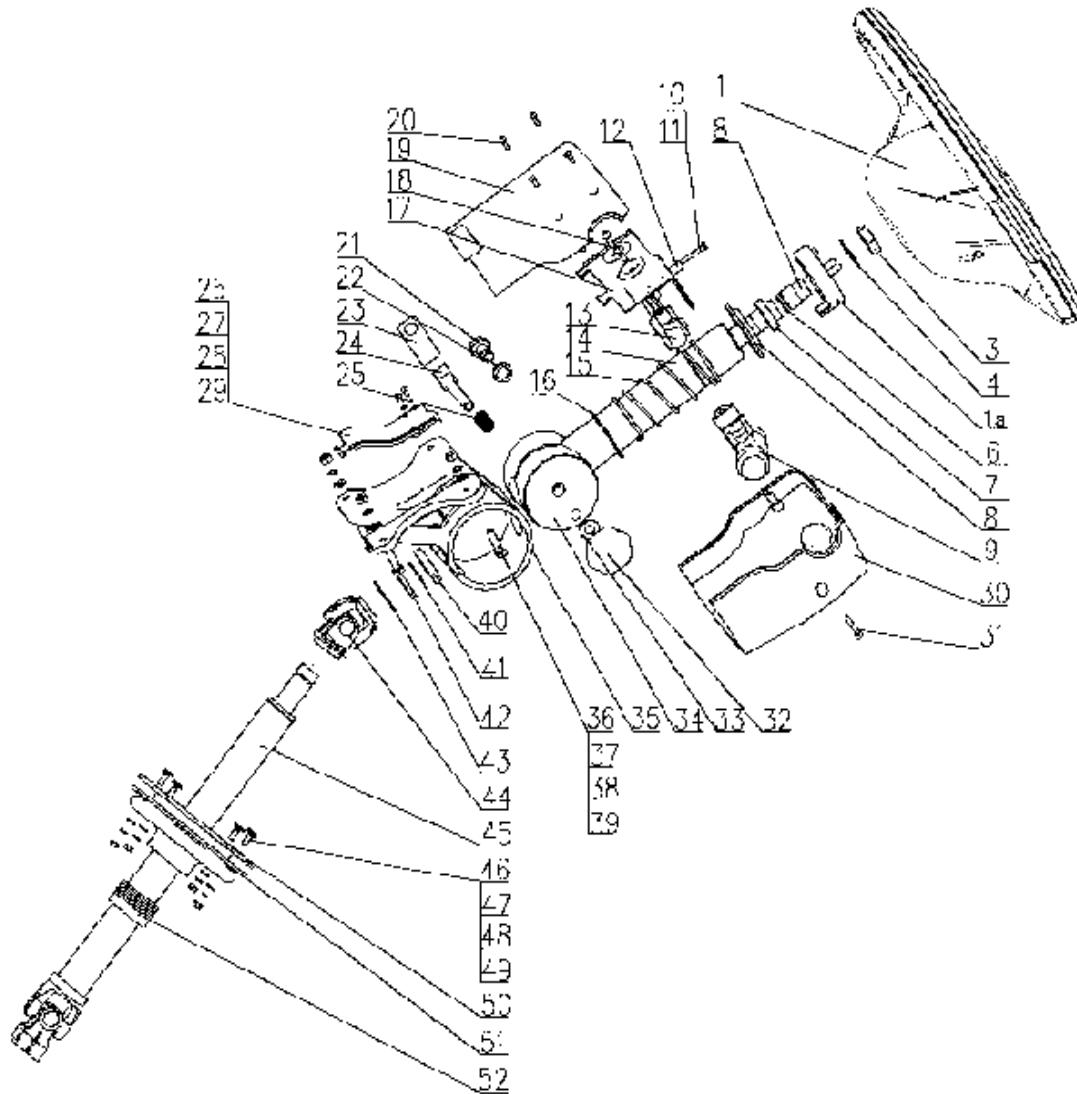
No	Number of part	Quantity	Description	Applicability	Designation
1	AZ9719680006	1			Stabilizer C
2	1780680035	2			Bush
3	WG80 680029	2			Screw
4	1780 680030	2			Washer
5	190003888459	2			Lock nut
6	199100680067	2			Rubber bearing
7	WG780 680032	2			Bearing clip
8	Q151C12100	4			Screw
9	190003888457	4			Lock nut
10	WG9719680011	2			Connecting clip
11	199100680037	2			Bush
12	199100680066	4			Bearing
13	WG80 680029	2			Screw
14	1780 680030	2			Washer
15	190003888459	2			Lock nut
20	199100680071	2			Washer
21	190003930010	2			Washer



C9-1

STEERING DEVICE/转向操纵装置

Fig. C9-1



C9-1

STEERING DEVICE/转向操纵装置

No	Number of part	Quantity	Description	Applicability	Designation
1	AZ9719470100	1			Steering wheel
2	AZ9130583024	1			Touch ring
	AZ9719470050	1		No incl.1,2,19,30,46~52	Steering tube assembly
3	Q351B22T15	1			Nut
4	Q41822	1			Spring washer
6	Q43125	1			Snap ring
7	AZ9003320012	1			Ball bearing
8	AZ9719470053	1			Steering shaft
9	WG9130583019	1			Start switch
10	Q150B0530	1			Screw
11	Q340B05	1			Nut
12	81.95801.0071	1			Roller
13	81.46433.0005	1			Clip
14	AZ9719470051	1			Sleeve
15	AZ9123470129	1			Spring
16	AZ9123470130	1			Washer
17	AZ9100470424	1			Support
18	Q150B0865	2			Screw
19	AZ9719470041	1			Cover of the steering column rear
20	Q2720412	4			Screw
21	AZ9719470057	1			Screw
	Q40316	1			Screw
22	Q40316	1			Spring washer
23	AZ9719470058	1			Plate
24	AZ9719470055	1			Adjusting screw
25	AZ9123470153	1			Spring
26	AZ9719470052	1			Bracket for electrical line
27	Q150B0408	2			Screw
28	Q40304	2			Spring washer
29	Q40104	2			Washer
30	AZ9719470042	1			Cover of the steering column front
31	Q2714250	2			Screw
32	AZ9123470150	1			Hand wheel
33	AZ9123470155	1			Washer
34	AZ9719470054	1			Sleeve
35	AZ9719470056	1			Support
36	Q150B0830	4			Screw
37	Q340B08	4			Nut

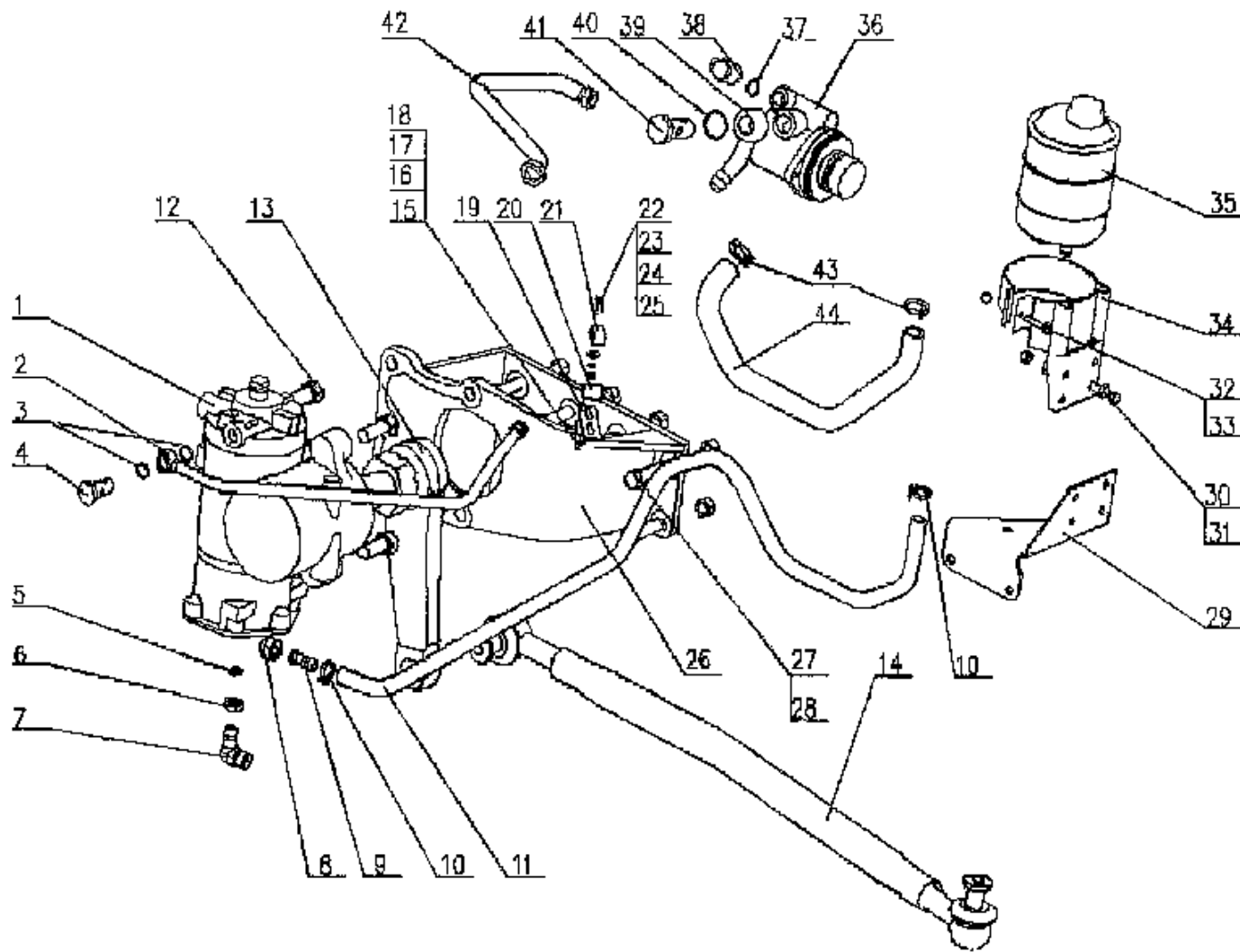
38	Q40308	4			Spring washer
39	Q40108	4			Washer
40	AZ9003320013	1			Ball bearing
41	Q43130	1			Snap ring
42	81.91710.0459	1			Ring
43	Q43042	1			Snap ring
44	AZ9719470043	1			Gimbal -assembly
45	AZ9719470044	1			Telescopic shaft
46	Q199B0616	4			Screw
47	Q340B06	4			Nut
48	Q40306	4			Spring washer
49	Q40106	4			Washer
50	AZ9719470045	1			Bellow
51	AZ9719470046	2			Plate
52	AZ9100470410	1			Bush

C9-2

4×2, 6×4HYDRAULIC STEERING SYSTEM

4×2, 6×4液压力转向系统

Fig. C9-2



C9-2

4×2, 6×4HYDRAULIC STEERING SYSTEM

4×2, 6×4液压力转向系统

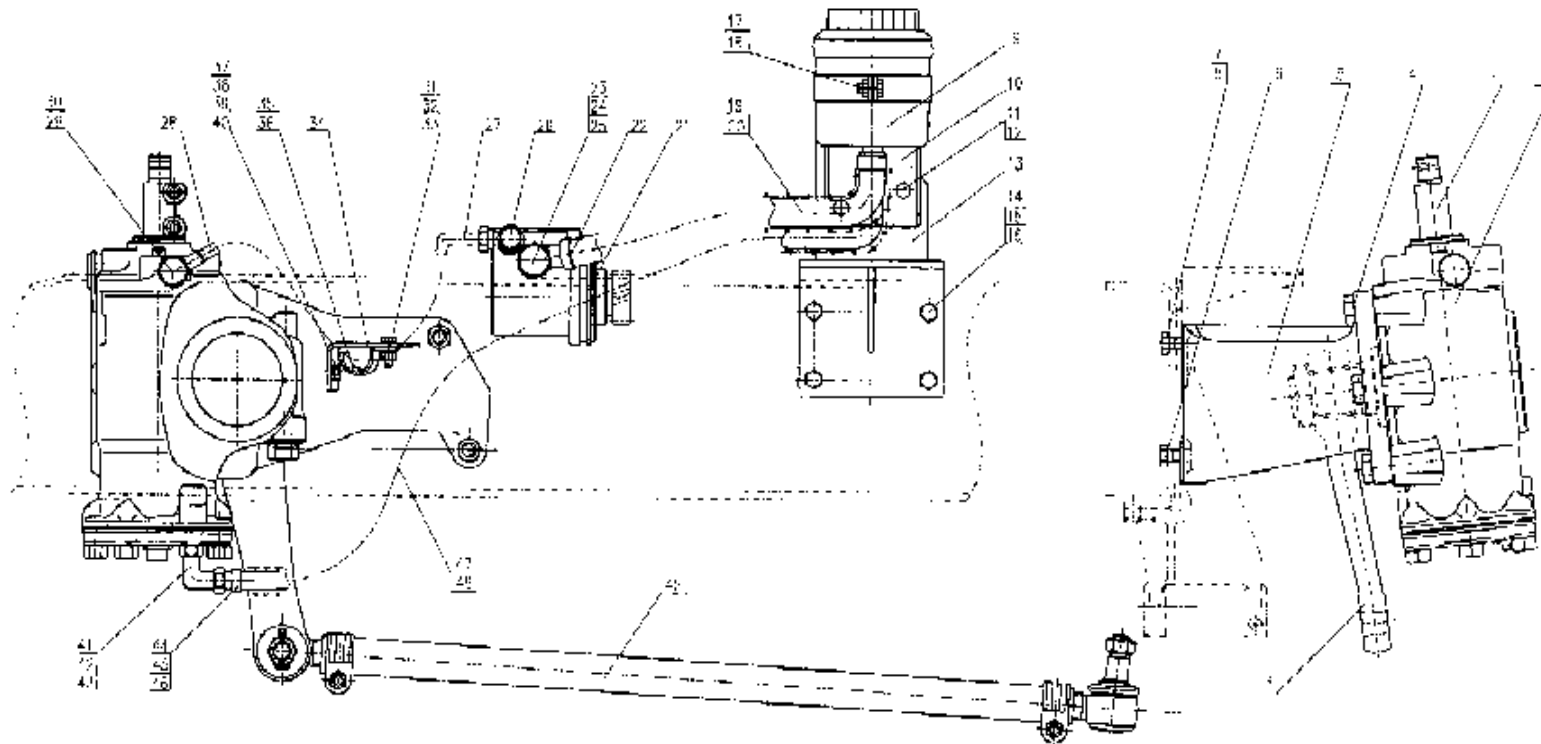
No	Number of part	Quantity	Description	Applicability	Designation
1	AZ9719470228	1			Steering gear(ZF8098)
1	AZ9100470225	1			Steering gear(ZF8095)
1	WG9716470150	1			Steering gear(ZF8098)
2	AZ9719470029	1			Delivery line
2	AZ9725470229	1			Delivery line
2	AZ9716470050	1			Delivery line
3	T071800	2			Gasket
4	190003962632	1			Female screw
5	252-3407054	1			Gasket
6	252-3407055	1			Nut
7	252-3407056	1			Nozzle
8	190003883242	1			Nut
9	WG9100470078	1			Nozzle
10	190003989336	2			Hose clamp
11	WG9725470050	1			Rubber hose
11	AZ9716470060	1			Rubber hose
11a	17017470015	1			Spring protect ring
12	Q151B2045TF2	5			Screw
13	WG9719470020	1			Drop arm
13	WG9725470298	1			Drop arm
13	WG9716470020	1			Drop arm
15	Q150B0630	2			Screw
16	Q340B06	2			Nut
17	Q40206	2			Washer
18	Q40306	2			Spring washer
19	1397 350169	1			Angle
20	190003489292	1			Sleeve
21	Q68225	1			clamp
22	Q150B0620	4			Screw
23	Q340B06	5			Nut
24	Q40306	5			Spring washer
26	AZ9731470020	1			Steering bracket
26	AZ9725470295				Steering bracket
26	AZ9725470238	1		For ZF 8098	Steering bracket
27	Q151B1660TF2	6			Screw
28	190003888627	5			Nut
29	AZ9725470020	1			Bracket assembly

29	AZ9725470025	1			Bracket assembly
30	Q151B1020	2			Screw
31	Q33210	2			Nut
32	Q150B0835	1			Screw
33	Q33208	1			Nut
34	AZ9100470040	1			Bracket
34	AZ9100470049	1			Support
35	WG9719470033	1			Oil tank
36	WG9719470037	1			Hydraulic pump
36	WG9619470080	1			Hydraulic pump
36	WG9631470060	1			Hydraulic pump
36a	161800130047	1			Gasket
36b	Q218B1025	1			Screw
36c	Q218B1035				Screw
37	T071800	1			Gasket
38	WG9100470110	1			Screwing
39	WG9100470076	1			Joint
40	190003098031	2			Gasket
41	190003962651	1			Female screw
42	WG9100470107	1			High pressure hose
42	WG2032470140	1			High pressure hose
42	AZ9716470070	1			High pressure hose
43	190003989301	2			Hose clamp
44	WG9725470120	1			Hose
44	AZ9725470175	1			Hose
44a	AZ9725470084	1			Spring protect ring
44b	AZ9123360300	120			Protect sleeve

C9-3

6×2HYDRAULIC STEERING SYSTEM/6×2液压转向系统

Fig. C9-3



C9-3

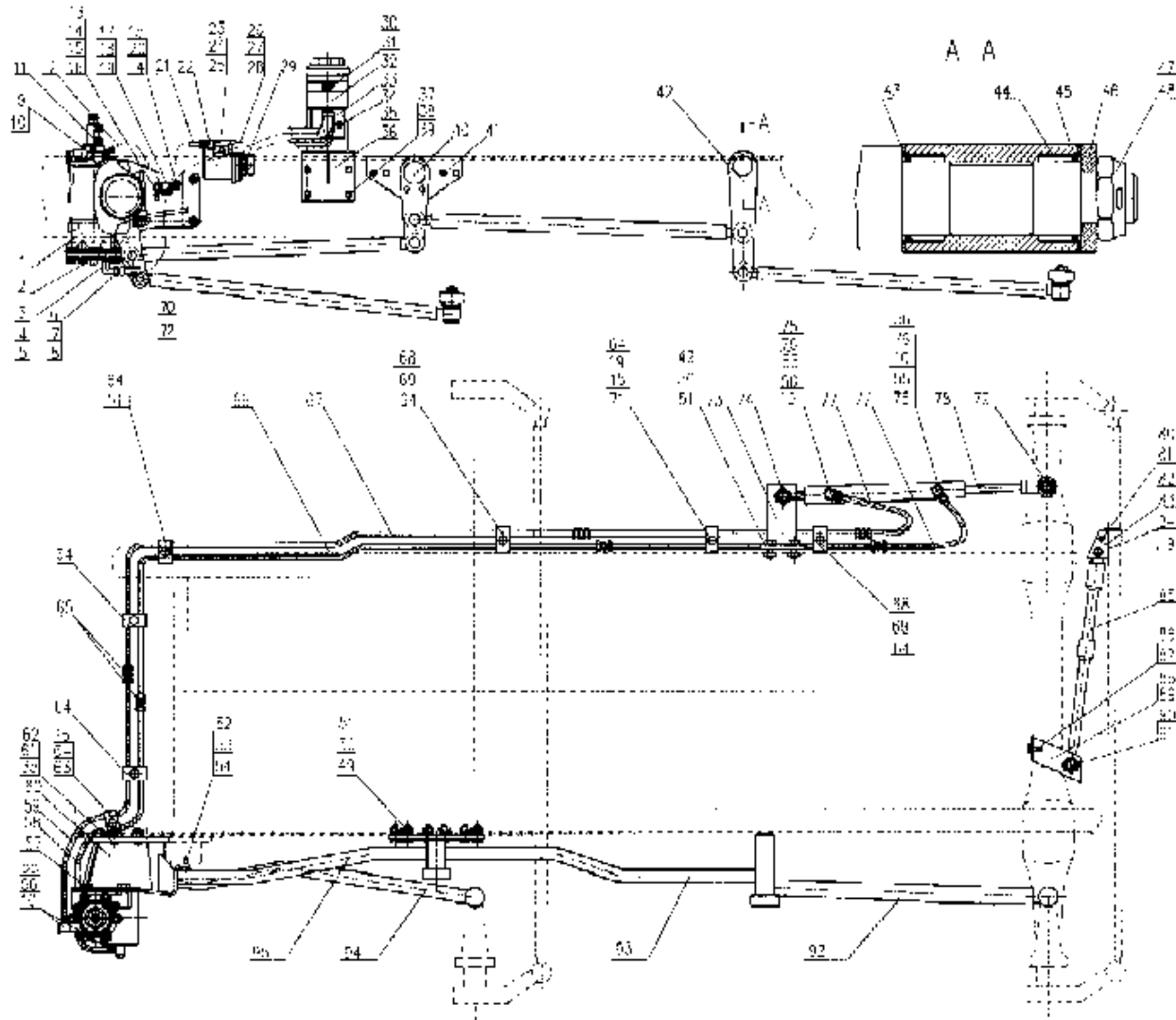
6×2HYDRAULIC STEERING SYSTEM/6×2液压转向系统

No	Number of part	Quantity	Description	Applicability	Designation
1	AZ9719470228	1			Steering gear(ZF8098)
3	WG9719470020	1			Drop arm
4	Q151B2045TF2	5			Screw
5	AZ9731470020	1			Steering bracket
6	Q151B1660TF2	5			Screw
8	190003888627	5			Nut
9	Q81714	3			Tie-in
10	Q81818	3			Screw
11	T071800	6			Gasket
12	Q80014	6			Ring
13	Q80114	6			Nut
14	Q80414	6			Tie-in
15	AZ9725470091	1			Steel tube
15a	AZ9725470092	1			Steel tube
16	AZ9725470093	1			Steel tube
16a	AZ9725470094	1			Steel tube
17	Q80314	2			Tie-in
18	WG9725470060	1			Oil tank C
19	AZ9725470040	1			Bracket assembly
20	Q150B1020	4			Screw
21	Q33210	4			Nut
26	Q150B0835	1			Screw
27	Q33208	1			Nut
28	190003989301	2			Hose clamp
29	WG9725470120	1			Hose
30	AZ9725470084	1			Spring protect ring
31	WG9719470037	1			Hydraulic pump
31	WG9631470060	1			Hydraulic pump
32	AZ9725470090	1			Hight pressure hose
32a	AZ9725470097	1			Hight pressure hose
33	AZ9160470090	1			Tie-in
34	190003098031	2			Gasket
35	WG9719470029	1			Steel tube
36	Q150B0620	4			Screw
37	Q40306	5			Spring washer
38	Q340B06	5			Nut
39	1397350169	1			Angle
40	138091360181	1			Clamp
41	161000060211	1			Rubber hose
42	Q150B0630	4			Screw
43	Q340B06	5			Nut
44	Q40206	4			Washer
45	252-3407056	1			Nozzle
46	252-3407054	1			Gasket
47	252-3407055	1			Nut
48	WG9100470078	1			Tie-in
49	190003989336				Hose clamp
50	190003883242				Nut
51	WG9725470050				Rubber hose
52	17017470015				Spring protect ring

C9-4

8×4 HYDRAULIC STEERING SYSTEM/8×4液动力转向系统

Fig. C9-4



C9-4

8×4 HYDRAULIC STEERING SYSTEM/8×4液动力转向系统

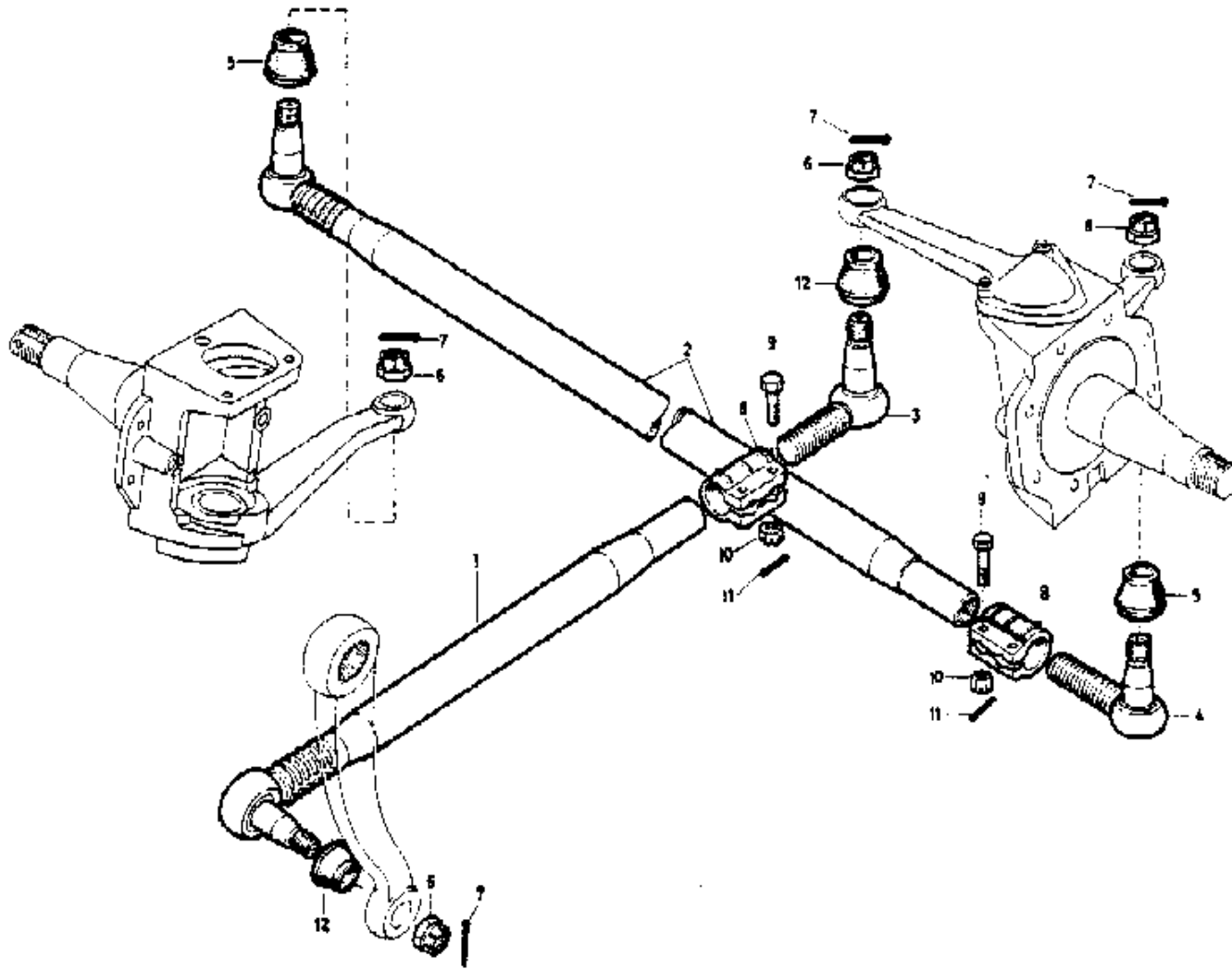
No	Number of part	Quantity	Description	Applicability	Designation
27	AZ9100470084	1			Spring protect ring
28	190003989301	2			Hose clamp
29	WG9719470037	1			Hydr.pump
30	Q150B0835	1			Screw
31	Q33208	1			Nut
32	WG9719470033	1			Oil tank C
33	AZ9100470040	1			Support
34	Q150B1020Q	2			Screw
35	Q40310	2			Spring washer
36	AZ9725470020	1			Bracket
37	Q150B1230	6			Screw
38	Q340B12	6			Nut
39	Q40312	6			Spring washer
40	AZ9731470030	1			Lever
41	AZ9731470035	1			Bracket
42	WG9018470016	1			Lever
43	199018470014	4			Washer
44	WG90 410228	4			Needle bearing
45	1880 340023	4			"O"ring
46	199018470015	2			Washer
47	190003872383	2			Nut
48	Q5006350	2			Split pin
49	190003888458	2			Locknut
50	Q151B1445	2			Screw
51	Q40020	2			washer
54	190003888459	1			Locknut
55	Q81714	3			Tie-in
56	Q81818	3			Screw
57	Q151B2035TF2	5			Screw
58	AZ9731470050	1			Pressure oil pipe
59	AZ9731470051	1			Pressure oil pipe
60	AZ9731470020	1			Steering bracket
61	Q151B1660TF2	6			Screw
62	190003888627	6			Nut
63	199100820050	2			Lashing
64	1188 730187	6			Clamp
65	Q80314	4			Nozzle
66	AZ9731470052	1			Pressure oil pipe
67	AZ9731470053	1			Pressure oil pipe

70	WG9725470050	1			Return hose
71	Q40506	5			Spring washer
72	17017470015	1			Spring protect ring
73	199018510018	1			Bracket assembly
74	AZ9118470024	1			Ball joint C
75	Q80114	12			Nut
76	Q80014	12			Ring
77	WG2032470140	2			High pressure hose
78	WG9014470008	1			Operating cylinder
79	AZ9118470025	1			Ball joint C
80	Q151C1270	2			Screw
81	190003888457	2			Locknut
82	199118470035	1			Bracket
83	199118470036	1			Bracket
84	Q151B1480	1			Screw
85	19003888458	1			Locknut
86	WG9114470106	1			Absorber
87	Q150B1025	2			Screw
88	Q5211424	1			Column pin
89	199118470033	1			Angle
90	Q271B14	1			Nut
91	Q5003225	1			Split pin

C9-5

4×2, 6×2, 6×4 STEERING LINKAGE/4×2, 6×2, 6×4转向拉杆

Fig. C9-5



C9-5

4×2, 6×2, 6×4 STEERING LINKAGE/4×2, 6×2, 6×4转向拉杆

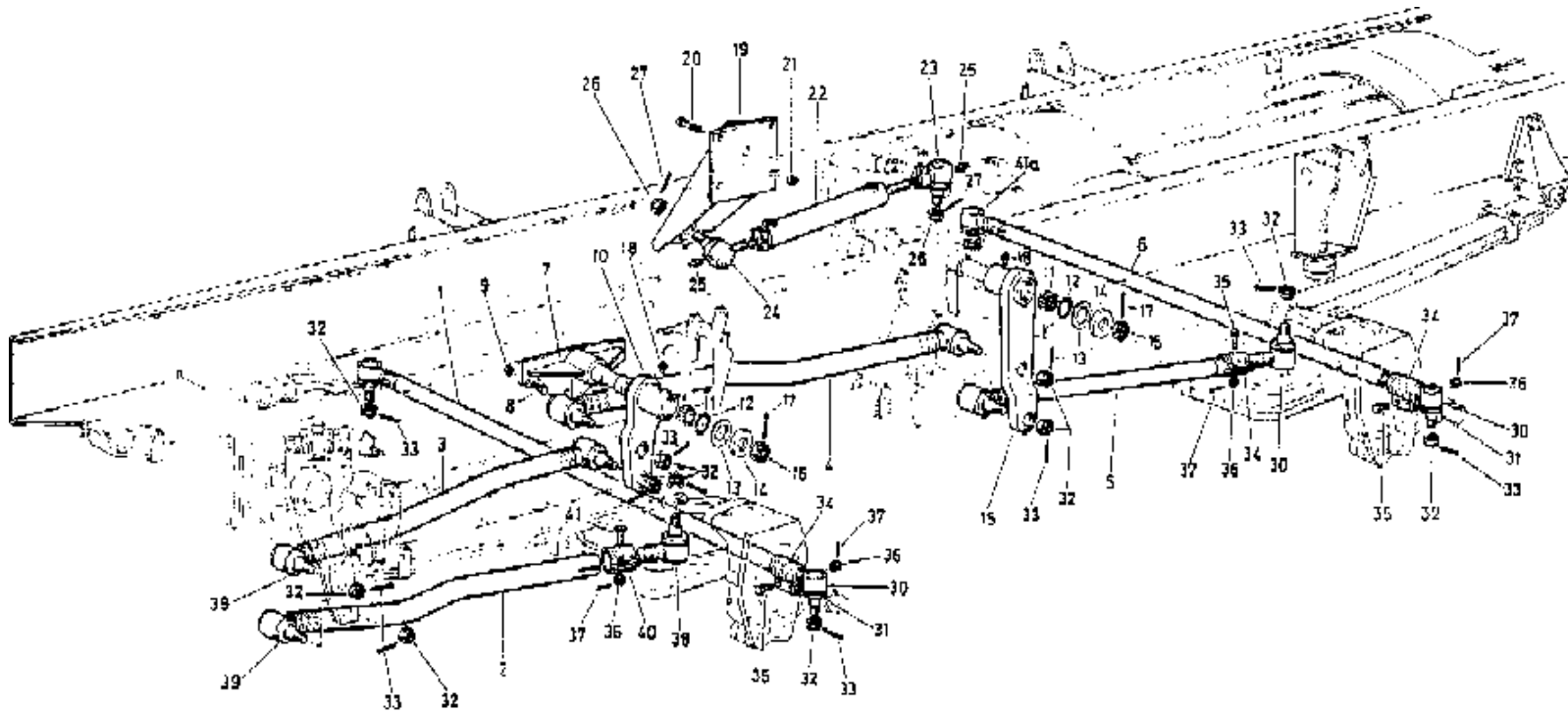
No	Number of part	Quantity	Description	Applicability	Designation
1	AZ9719430010	1			Drag link
2	AZ9112430003	1			Tie rod
6	Q387B20T15	1			Nut
7	Q5004036	4			Split pin



C9-6

8×4 STEERING LINKAGE/8×4转向拉杆

Fig. C9-6



C9-6

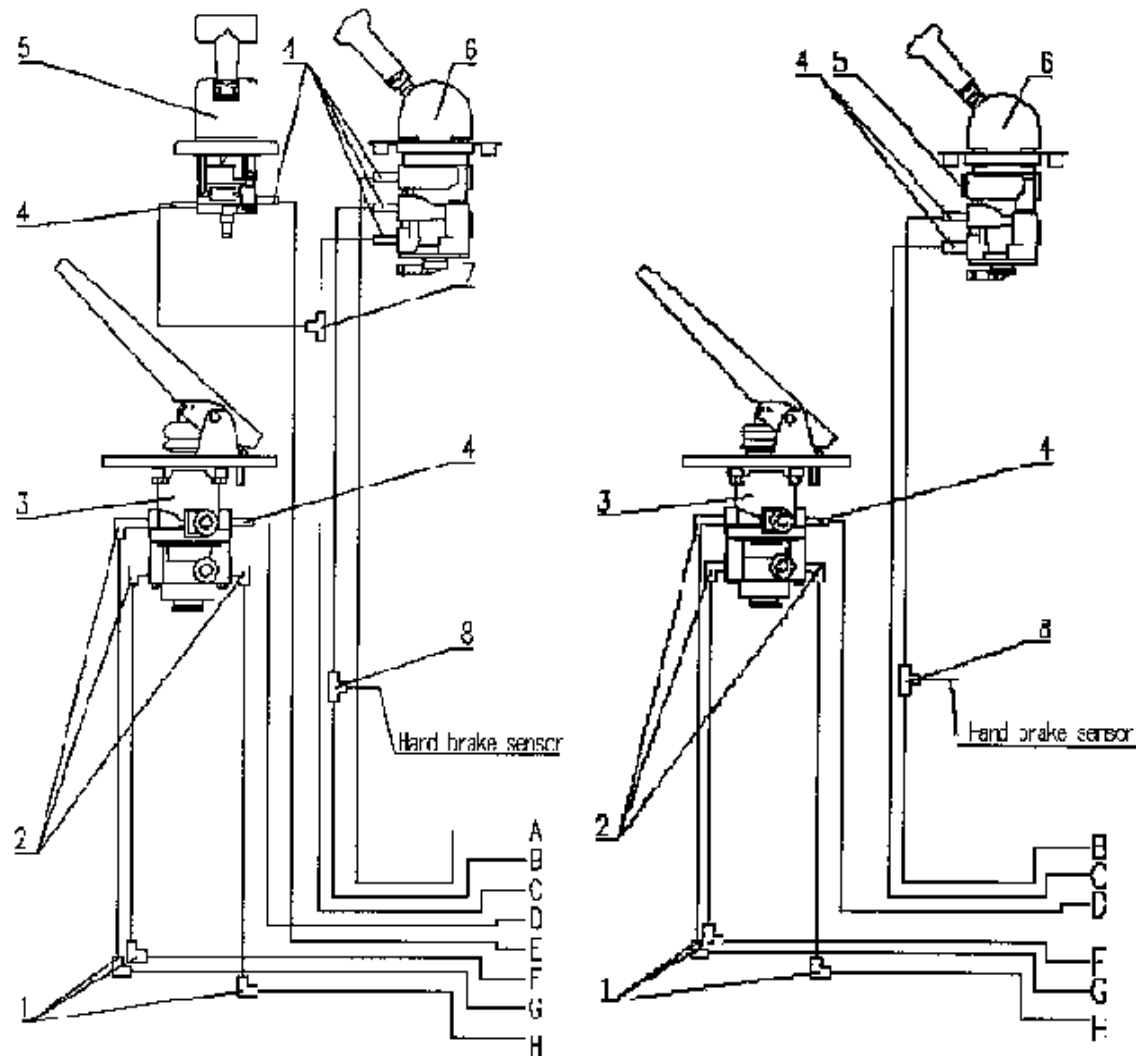
8×4 STEERING LINKAGE/8×4转向拉杆

No	Number of part	Quantity	Description	Applicability	Designation
1	11031430066	1			Tie rod
2	AZ9731430010	1			Drag link
3	AZ9731430020	1			Drag link
4	AZ9731430030	1			Drag link
5	AZ9731430040	1			Drag link
6	AZ9731430002	1			Tie rod
7	AZ9731470035	1			Support plate
8	Q151B1445	6			Screw
9	Q33014	6			Lock nut
10	AZ9731470030	1			Lever
11	WG90 410228	4			Needle bearing
12	1880 340023	4			O-ring
13	199018470014	4			Washer
14	199018470015	2			Washer
15	WG018470016	1			Lever
16	190003872383	2			Castle nut
17	Q5006350	2			Split pin
18	19000396612	2			Grease nipple
19	199018510018	1			Bracket
20	Q151B1445	4			Screw
21	Q33014	2			Lock nut
22	WG9014470008	1			Operating cylinder
23	AZ9118470025	1			Ball joint C
24	AZ9115470024	1			Ball joint C
25	190003963112	1			Grease nipple
26	Q387B20T15	1			Castle nut
27	Q5004036	1			Split pin
32	Q387B20T15	2			Castle nut
33	Q5004036	2			Split pin
34	199118470037	1			Clamp
35	Q151C1255	1			Screw
36	Q341C12	1			Lock nut

C10-1

BRAKE MECHANISM IN CAB/驾驶室制动操纵机构

Fig. C10-1



C10-1

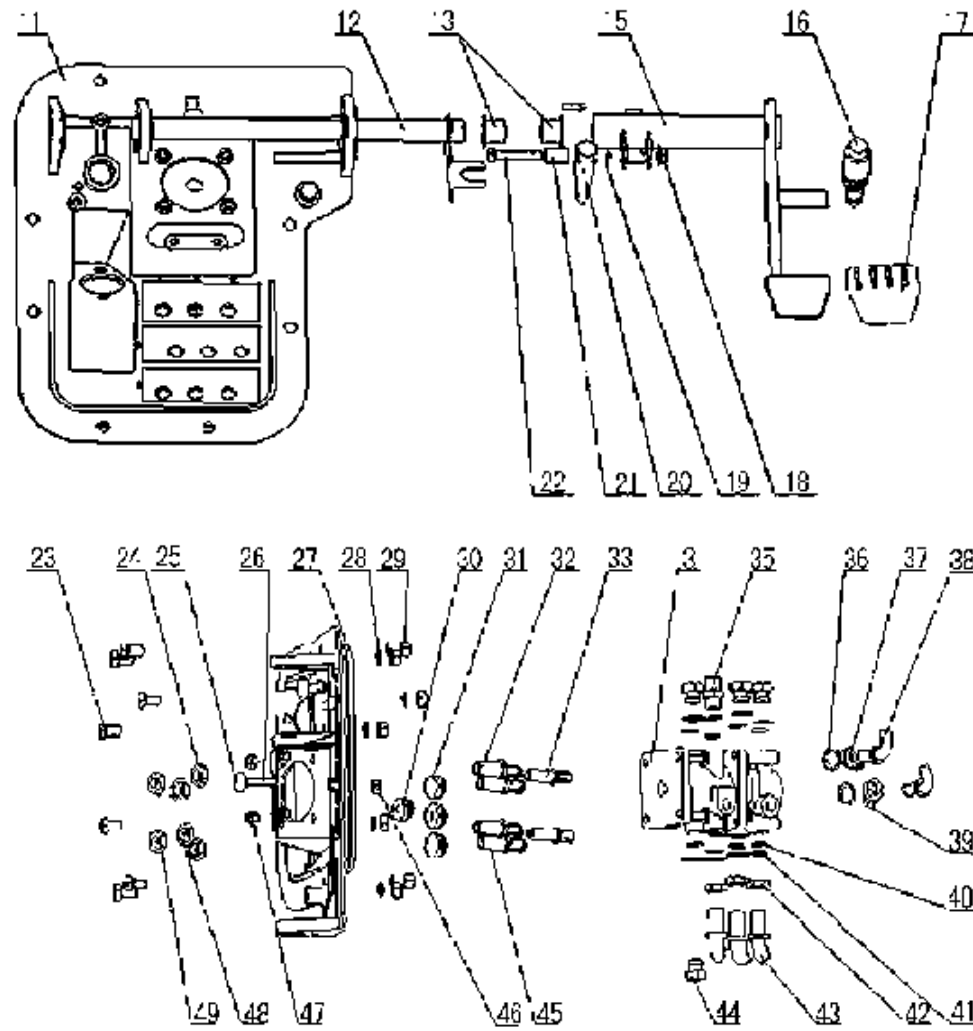
BRAKE MECHANISM IN CAB/驾驶室制动操纵机构

No	Number of part	Quantity	Description	Applicability	Designation
1	190003559479	3	Φ 12		Nozzle
2	190003559946	3	Φ 12		Angle nozzle
3	WG9719360005	1			Service brake valve
4	190003559945	6	Φ 8		Nozzle
5	WG9719360030	1			Hand brake valve for trailer
5a	Q617B16	1			Screw
6	WG9000360165	1			Hand brake valve
7	190003559483	1	Φ 8		Nozzle
8	WG99100360111	1	Φ 8/Φ 6		Nozzle
11	AZ9719360050	1			Combination bracket
12	AZ9719360051	1			Shaft
13	AZ9719360060	2			Bush
14	Q1840616	1			Screw
15	AZ9719360055	1			Brake foot pedal
15	AZ9719364055	1			Brake foot pedal
16	WG9100710006	1			Brake lamp switch
17	AZ9123230226	1			Rubber cover
18	Q341B08	1			Nut
19	Q5002016	1			Split pin
20	AZ9719360063	1			Push rod
21	AZ9719360062	1			Bolt
22	Q173B0845	1			Screw
23	Q150B1016	7			Screw
24	Q351B14T15	2			Nut
25	AZ9123360067	1			Plug

C10-1

BRAKE MECHANISM IN CAB/驾驶室制动操纵机构

Fig. C10-2

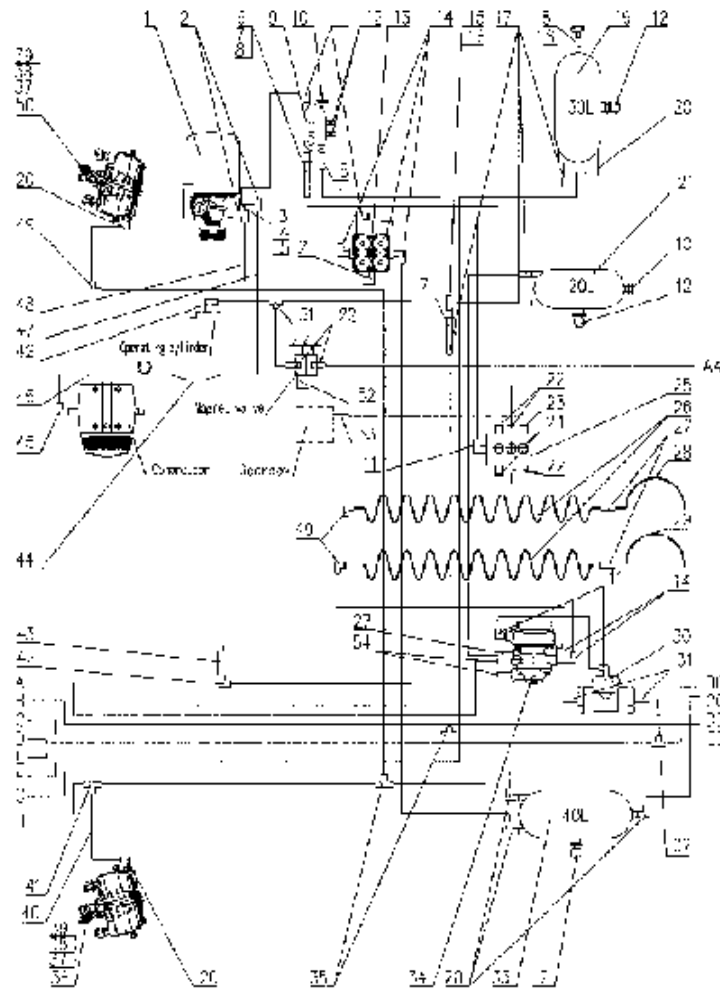


C10-1

BRAKE MECHANISM IN CAB/驾驶室制动操纵机构

No	Number of part	Quantity	Description	Applicability	Designation
26	Q150B0845	1			Screw
27	AZ9719360099	1			Seal profile
28	Q40310	7			Spring washer
29	Q340B10	7			Nut
30	AZ9719360018	2			Rubber sleeve
31	AZ9719360019	2			Plug
32	AZ9719360010	2			Joint
33	AZ9719360009	2			Angle screwing
35	190003559945	1			Screwing
36	1288 730061	2			Gasket
37	Q351C12T15	2			Nut
38	WG9100361003	2			Angle screwing
39	199000360477	2			Gasket
40	1406 070015	8			Gasket
41	WG9000360292	8			Gasket
42	Q351B16T15	3			Nut
43	190003559946	3			Angle screwing
44	Q617B16	4			Screw
45	AZ9719360010	2			Angle nozzle
46	Q150B0830	4			Screw
47	Q340B08	1			Nut
48	Q33208	4			Nut
49	Q351C12T15	2			Nut
49	Q351B15T15	2			Nut

C10-2 BRAKE PARTS IN FRONT SECT OF CHASSIS/底盘前部制动部件 Fig.C10-3



A~H line connected with A~H line in cab.  
AA~EE line connected with AA~EE in rear sect of chassis.

C10-2 BRAKE PARTS IN FRONT SECT OF CHASSIS/底盘前部制动部件

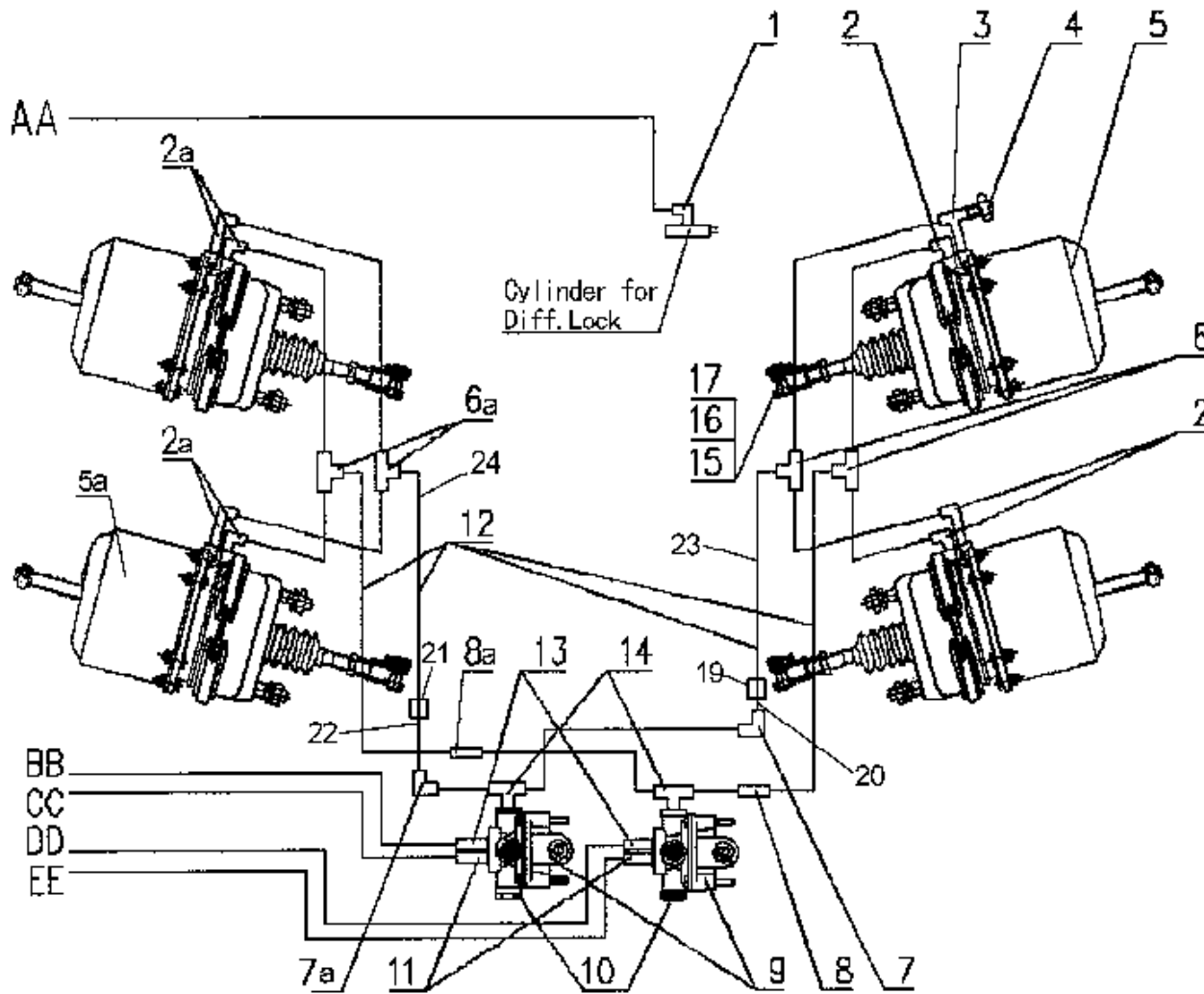
No	Number of part	Quantity	Description	Applicability	Designation
1	WG9100368471	1			Air dryer
2	190003559653	3			Angle nozzle
3	190003962612	1			Female screw
4	WG99100270117	1			Connector
5	Q72312T5F	2			Gasket
6	190003559385	1			Nozzle
7	WG9000360112	2			Check valve
8	190003559963	3			Nozzle
9	WG9719360001	1			Air reservoir(5L+5L)
9	WG9100360044			For tractor	Air reservoir(5L)
10	190003962038	2			Screw
11	WG9114360010	5			nozzle
12	WG9000360115	5			Drain valve
13	WG9000360366	1			4-circuit protecting valve
14	190003559946	3			Angle nozzle
15	WG99100360115	1			Distributor
16	WG99100360161	1			Nozzle
17	190003559948	4			Nozzle
18	WG9000360314	1			Test connector
19	WG9014362117	1		S/6×4,S/4×2,K/4×2	Air reservoir(Φ275/30L)
19	WG9003550098	1		S/6×2	Air reservoir(40L)
19	WG9003550098	2		O/6×2	Air reservoir(40L)
19	WG9003550094	2		O/4×2/6×4,K/6×4	Air reservoir(30L)
19	WG9014362009	2		O/8×4,K/8×4	Air reservoir(35L)
20	190003559955	6			Angle nozzle
21	WG9003550087	1		S/6×4,S/4×2,O/6×2	Air reservoir(20L)
21	WG9003550087	2		O/4×2/6×4/8×4,K/6×4	Air reservoir(20L)
21	WG9003550087	3		K/4×2	Air reservoir(20L)
22	190003559766	4			Nozzle
23	Q80408	2			Nozzle
24	190003962019	4			Screw
25	AZ9100366156	1			Nozzle
26	WG9000360140	2		For Tractor	Screwy line
27	190003559490	3			Nozzle
28	WG9000360170	1		Tractor	Coupling
29	WG9000360171	1		Tractor	Coupling
30	WG9000360188	1		Tractor	Two way valve

31	190003559947	2			Nozzle
32	190003559483	1			Distributor
33	WG9003550098	1		S/6×4,S/6×2	Air reservoir(40L)
33	WG9014362009	1		S/4×2	Air reservoir(35L)
34	WG9000360180	1		Tractor	Trailer control valve
35	WG17017360203	2			Distributor
36	WG9000360100	1			Diaphragm cylinder left
37	190003903661	2			Bolt
38	Q40114	2			Washer
39	Q5004022	2			Split pin
40	WG17017360450	2			Brake hose
40a	WG17017361000	2			Screw protecting sleeve
40b	WG9123360300	900			Protection sleeve(Φ30)
40c	WG9123360200	900			Protection sleeve(Φ20)
41	WG9100360112	1			Screwing
42	190003559496	2			Screwing
43	WG9719180010	1			Exhaust brake
44	WG99100360184	1			Hose
45	WG99000360410	1			Screwing
46	AZ9719360101	1			Pipe(Air compressor--hose)
47	AZ9719360103	1			Pipe(Hose—Air dryer)
48	AZ9719360102	1			Pipe(dryer—4-cir.protection valve)
49	190003559479	3			Nozzle
50	WG9000360101	1			Diaphragm cylinder right
51	190003559482	1			Nozzle
52	WG9100361003	2			Screwing
53	WG99112280010	1			Screwing
54	190003559945	2			Screwing
55	AZ9725360101	1			Pipe(22 Hole of 4-cir.protection valve-reservoir for rear axle)
56	AZ9725360103	1			Pipe(21 Hole of 4-cir.protection valve-reservoir for front axle)
57	AZ9725360106	1			Pipe(24 Hole of 4-cir.protection valve-reservoir for hand brake)
60	WG9718360002	2		Option	WABCO/ABS magnetic valve
60	WG9718360001	2		Option	KNORR/ABS magnetic valve
60a	AZ9725360108	1		For ABS	Pipe
60b	AZ9725360109	1		For ABS	Pipe

C10-3

BRAKE PARTS IN REAR SECT OF CHASSIS/底盘后部制动部件

Fig. C10-5



C10-3

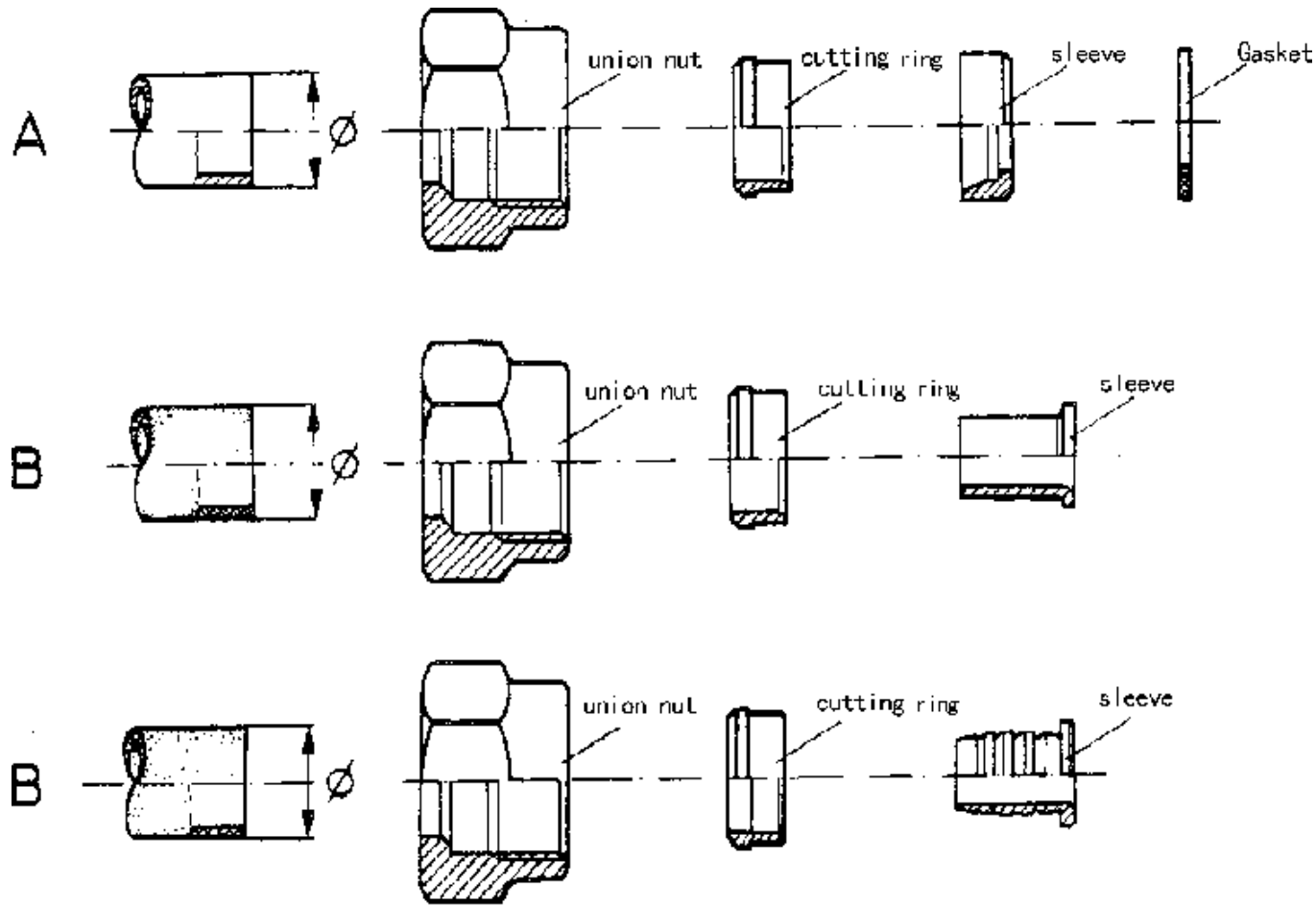
BRAKE PARTS IN REAR SECT OF CHASSIS/底盘后部制动部件

No	Number of part	Quantity	Description	Applicability	Designation
1	190003559496	1	Φ6		Angle nozzle
2	190003559946	7	Φ12		Angle nozzle
3	WG99100360114	1	Φ12		T-nozzle
4	WG9000360314	1			Test connector
5	WG9000360108	2		4×2,6×4,8×4,6×2	Spring brake actuator
5a	WG9000360108	2		6×4,8×4,6×2	Spring brake actuator
5	WG9100360303	2		STEYR Axle	Spring brake actuator
5a	WG9100360303	2		6×2,6×4,8×4 STEYR Axle	Spring brake actuator
5	WG9100360011	2		6×2 STEYR Axle	Spring brake actuator
6	WG9003550006	2		4×2,6×4,8×4,6×2	T-nozzle
6a	WG9003550006	2		6×4,8×4,6×2	T-nozzle
7	190003559479	1		4×2,6×4,8×4,6×2	Nozzle
7a	190003559479	1		6×4,8×4,6×2	Nozzle
8	190003559474	1		4×2,6×4,8×4,6×2	Nozzle
8a	190003559474	1		6×4,8×4,6×2	Nozzle
9	WG9000360134	2			Relay valve
10	190003962038	2			Screw
11	190003559948	2	Φ12		Nozzle
12	WG17017360470	4	Φ12	6×4,8×4	Brake Hose
12	WG17017360470	2	Φ12	4×2	Brake Hose
12	WG17017360470	1	Φ12	6×2	Brake Hose
12a	WG17017360460	3	Φ12	6×2	Brake Hose
13	190003559947	2	Φ8		Nozzle
14	WG99100360112	2	Φ12		T-nozzle
14	190003559946	2	Φ12	4×2	Angle nozzle
15	190003903661	4			Bolt
16	Q40114	4			Washer
19	WG9718360002	1			ABS Magnetic valve/WABCO
19	WG9718360001	1			ABS Magnetic valve/KNORR
20	WG17017360480	1		4×2/ABS	Brake hose
21	WG17017360480	1		6×4,8×4,6×2/ABS	Brake hose
22	WG9718360002	1		6×4,8×4,6×2/ABS	ABS Magnetic valve/WABCO
22	WG9718360001	1		6×4,8×4,6×2/ABS	ABS Magnetic valve/KNORR
23	WG17017360460	2			Brake hose
23	WG17017360470	2		4×2/ABS/KNORR	Brake hose
24	WG17017360460	2		6×4,8×4,6×2/ABS	Brake hose

C10-4

CONNECTOR FOR LINE/管路连接件

Fig. C10-6



C10-4

CONNECTOR FOR LINE/管路连接件

No	Number of part	Quantity	Description	Applicability	Designation
A					Connector for steel pipe
1	190003559516		Φ6		Union nut
2	190003559508		Φ6		Union nut
3	190003559561		Φ6		Cutting ring
4	190003559509		Φ8		Union nut
5	190003559558		Φ8		Cutting ring
6	190003559518		Φ10		Union nut
7	190003559564		Φ10		Cutting ring
8	190003559514		Φ12		Union nut
9	190003559563		Φ12		Cutting ring
10	190003559520		Φ15		Union nut
11	190003559562		Φ15		Cutting ring
12	190003559538		Φ15		Pressure ring
13	190003559539		Φ15		Gasket
B					Connector for hose
1	190003559507		Φ4		Union nut
2	190003559556		Φ4		Cutting ring
3	199014280040		Φ4		Sleeve
4	190003559516		Φ6		Union nut
5	190003559561		Φ6		Cutting ring
6	199014280016		Φ6		Sleeve
7	190003559509		Φ8		Union nut
8	190003559558		Φ8		Cutting ring
9	199014280041		Φ8		Sleeve
10	190003559518		Φ10		Union nut
11	190003559564		Φ10		Cutting ring
12	199014280042		Φ10		Sleeve
13	190003559514		Φ12		Union nut
14	WG99100360253		Φ12		Ring
15	WG99100360252		Φ12		Sleeve
16	190003179778		Φ4×1		Plastic pipe
17	190003179782		Φ6×1		Plastic pipe
18	190003179781		Φ8×1		Plastic pipe
19	190003179784		Φ10×1		Plastic pipe
20	190003179785		Φ12×1.5		Plastic pipe

C10-5

## BRACKET FOR BRAKE/制动用支架

No	Number of part	Quantity	Description	Applicability	Designation
1	AZ9719360013				Bracket for 4-cir.protection valve
2	199014360140				Angle for relay valve
3	AZ961836001				Angle for relay valve
6	AZ9130360003				Angle for trailer control valve
7	AZ9719360014				Bracket for air dryer
8	1880 360083				Carrier
9	199000360315				Carrier
10	199012360441				Angle
11	199000362186				Angle
12	199100360165				Angle
13	1397 350169				Angle
14	199100360168				Angle
15	199100360241				Angle
16	199100360207				Support
17	199100360228				Lashing
18	199100360229				Angle
19	199114360101				Angle
20	AZ9718360007				Connecting plate
21	AZ9100360120				Angle
22	26600360022				Angle
23	199100360166				Angle
24	AZ9719360031				Combination bracket
25	AZ9719360028				U-Bracket
26	AZ9719360029				Bracket for coupling

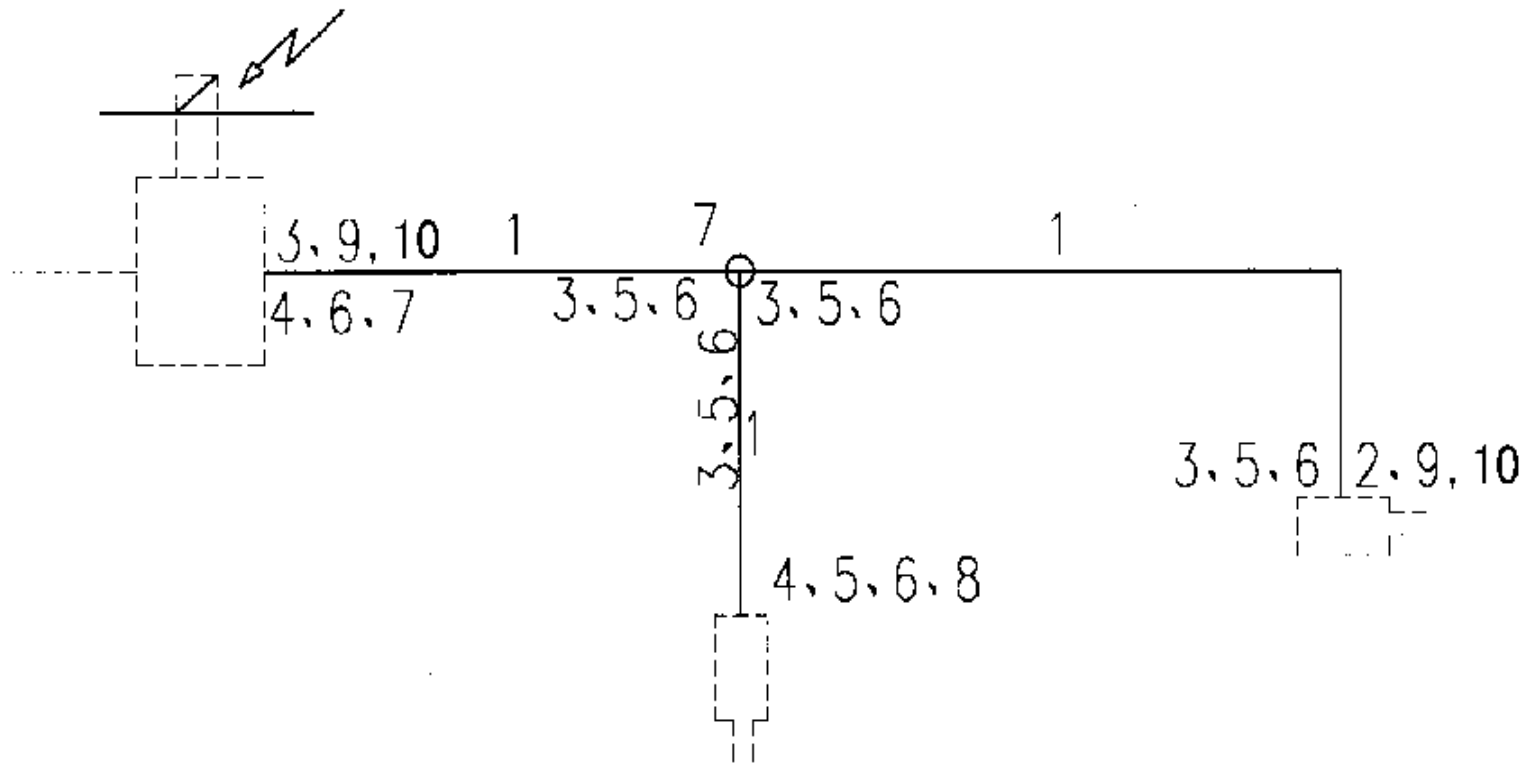


C10-6

## PARTS FOR BRAKE/制动零部件

No	Number of part	Quantity	Description	Applicability	Designation
1	Q72312T5F				Gasket
2	190003098031				Gasket
3	190003098015				Gasket
4	WG9000360292				Gasket
5	1406 070015				Gasket
6	WG9100360319				Gasket
7	1680 250092				Gasket
8	138091360181				Clamp
9	1188 730187				Clamp
10	199000360408				Clamp
11	1 93 760081				Angle
12	199100360174				Clamp
13	1280 770028				Clamp
14	199100360234				Clamp
15	199100360134				Distance sleeve
16	199100360135				Distance sleeve
17	190003171390				Wire fastener
18	190003171392				Wire fastener
19	190003171393				Wire fastener
20	190003559539				Gasket
21	19900360477				Gasket
22	1288730061				O-ring
23	190003179045				Protection sleeve
24	1381F140090				Protection sleeve

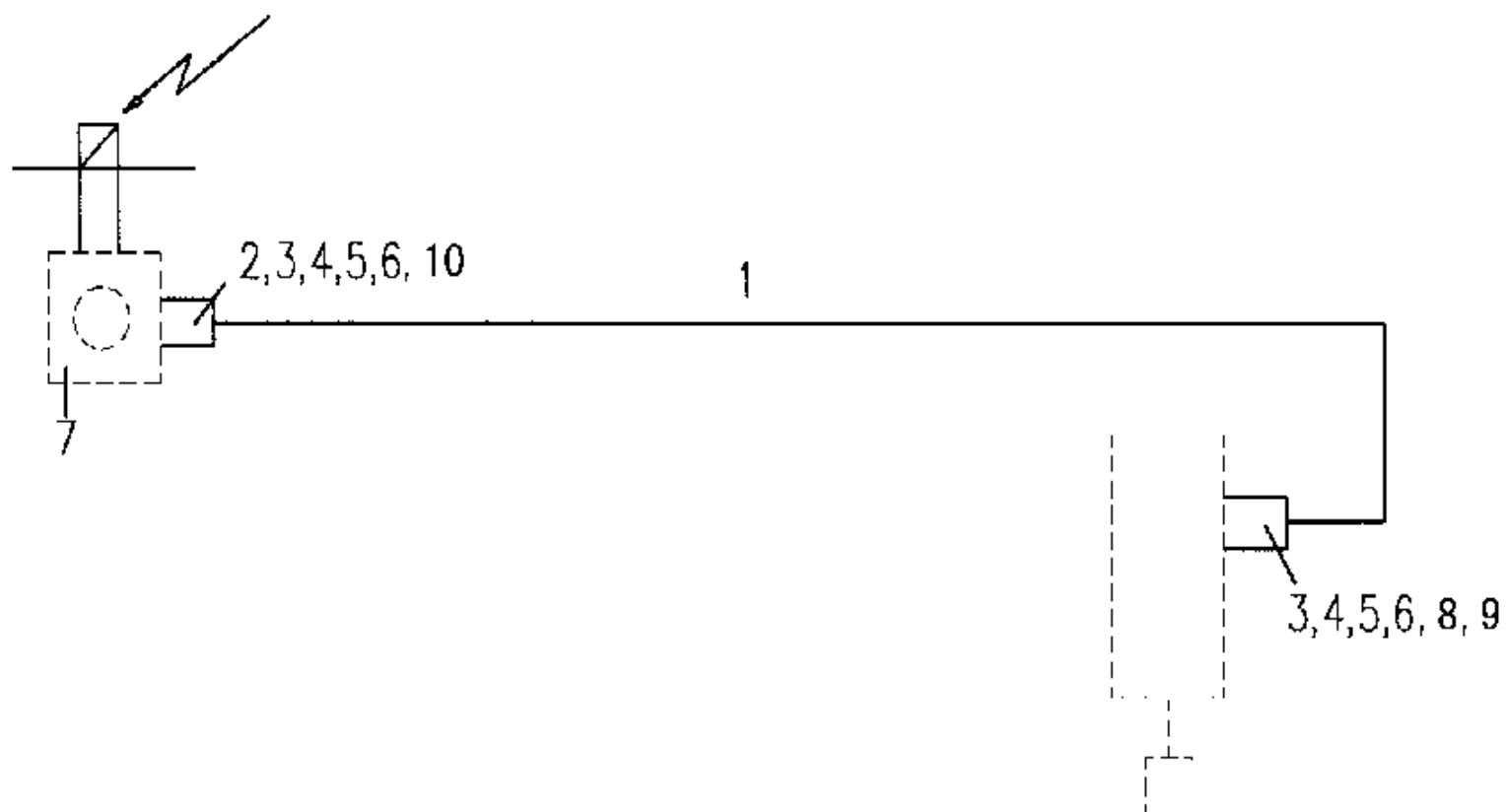
C10-8 6×4, 8×4WHEEL PNEU. DIFF. LOCK FOR STEYR AXLE/STEYR双桥轮间差速锁操纵管路 Fig. C10-8



C10-8 6×4, 8×4WHEEL PNEU. DIFF. LOCK FOR STEYR AXLE/STEYR双桥轮间差速锁操纵管路

No	Number of part	Quantity	Description	Applicability	Designation
1	190003179782	7	Φ6×1		Plastic pipe
2	190003559766	2			Nozzle
3	190003559516	5			Union nut
4	190003559508	1			Union nut
5	190003559561	6			Cutting ring
6	199014280016	6			Sleeve
7	190003559482	1			Nozzle
8	190003559497	1			Nozzle
9	199000360477	2			Gasket
10	1288 730061	2			O-ring

C10-9 4×2 PNEUMATIC DIFFERENTIAL LOCK FOR STEYR AXLE/单桥轮间差速锁操纵管路 Fig.C10-9



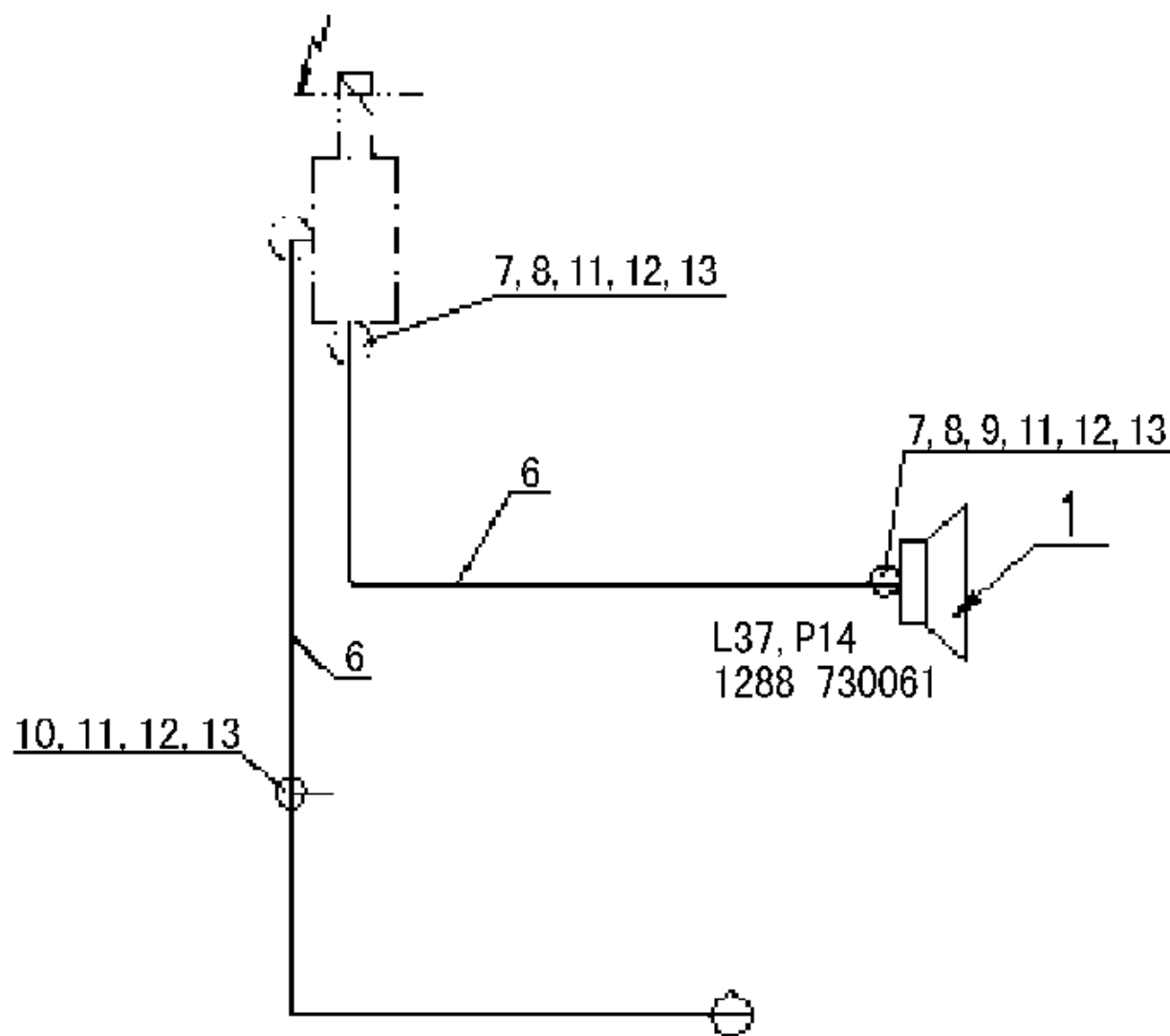
C10-9 4×2 PNEUMATIC DIFFERENTIAL LOCK FOR STEYR AXLE/单桥轮间差速锁操纵管路

No	Number of part	Quantity	Description	Applicability	Designation
1	190003179782	5	Φ6×1		Plastic tube
2	190003559766	1			Nozzle
3	190003559516	1			Union nut
4	190003559561	2			Cutting ring
5	199014280016	2			Sleeve
6	199000360477	1			Gasket
7	WG9100710008	1			Magnetic valve
8	190003559497	1			Nozzle
9	190003559508	1			Union nut
10	1288730061	1			O-ring

C10-10

DOUBLE VOICE PENUMATIC HORN/双音气喇叭操纵管路

Fig. C10-10



C10-10

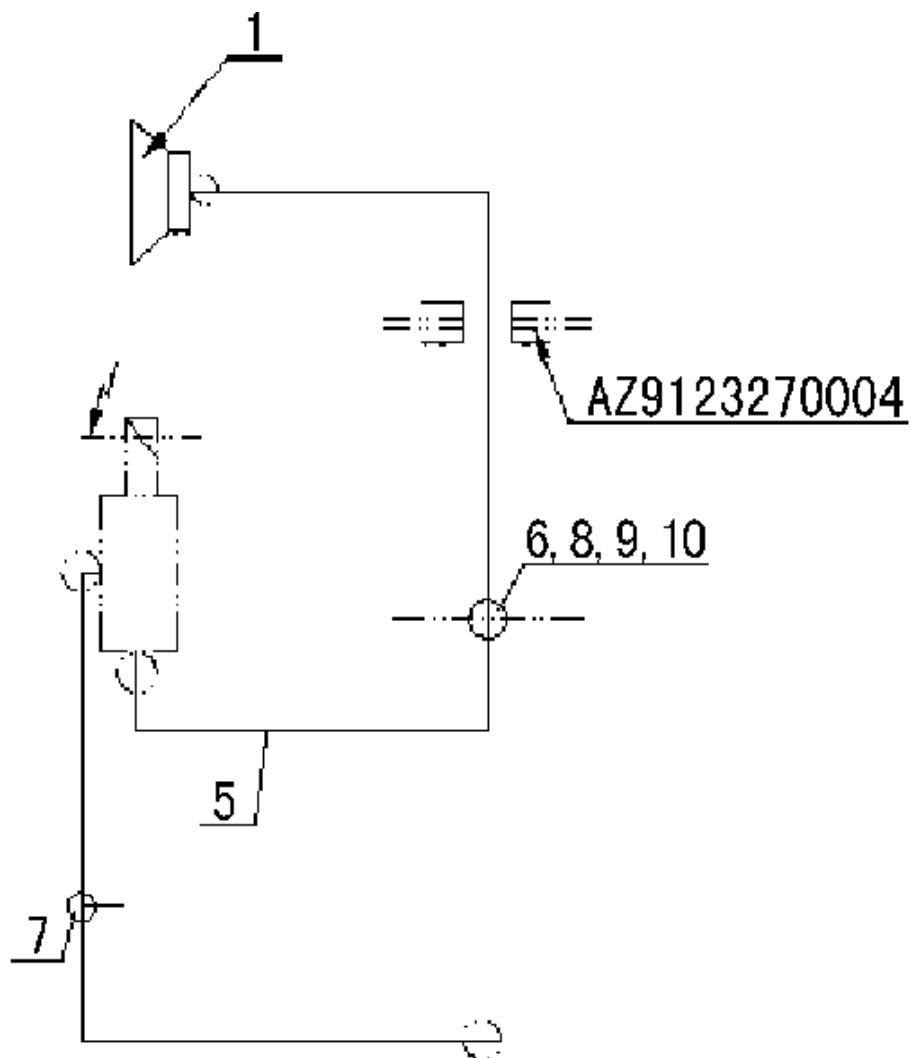
DOUBLE VOICE PENUMATIC HORN/双音气喇叭操纵管路

No	Number of part	Quantity	Description	Applicability	Designation
1	WG9716270003	1			Double-voice horn
2	AZ9716270005	1			Bracket for horn
3	Q150B0620	4			Screw
4	Q40306	4			Washer
5	Q340B06	4			Nut
6	190003179782	5	Φ6		Plastic pipe
7	190003559766	1	Φ6		Nozzle
8	199000360477	1			Gasket
9	1288 730061	1			O-ring
10	190003559482	1	Φ6		T-nozzle
11	199014280016	6			Union nut
12	190003559561	6			Cutting ring
13	190003559516	6			sleeve

C10-11

LOW VOICE PENUMATIC HORN ON ROOF/顶置低音喇叭操纵管路

Fig. C10-11



C10-11

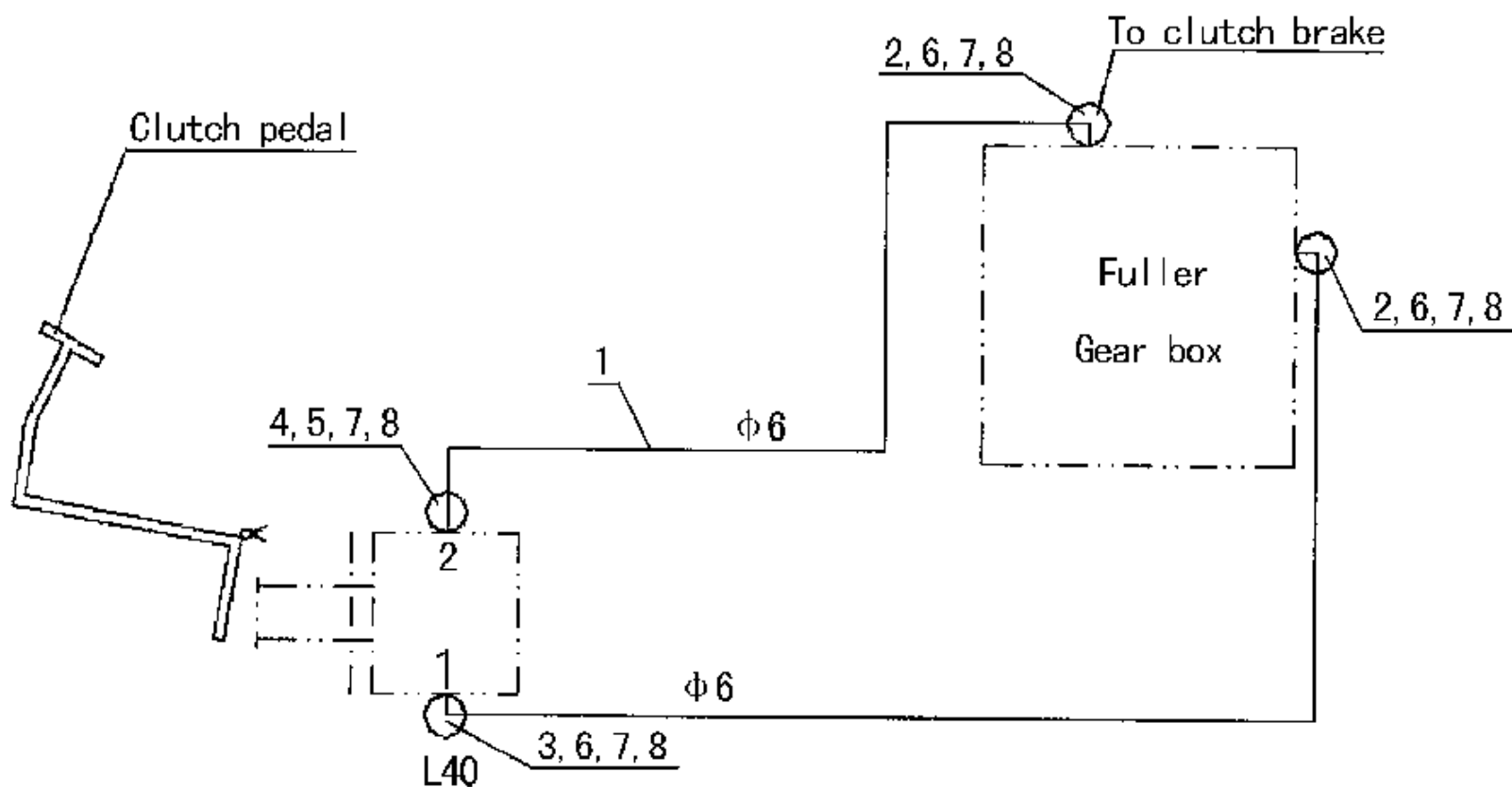
LOW VOICE PENUMATIC HORN ON ROOF/顶置低音喇叭操纵管路

No	Number of part	Quantity	Description	Applicability	Designation
1	WG9716270004	1			Low voice penumatic horn
2	Q150B0625	3			Screw
3	Q40106	3			Washer
4	Q40306	3			Spring washer
5	190003179782	10	Φ6		Plastic pipe
6	AZ9718360009	1			Rubber sleeve
7	190003559482	1	Φ6		Nozzle
8	WG9719360009	1	Φ6		Nozzle
9	Q351C12T15	1			Nut
10	Q41212	1			Toothed washer
11	199014280016	8			Union nut
12	190003559561	8			Cutting ring
13	190003559516	8			Sleeve

C10-12

AIR LINE FOR CLUTCH BRAKE/离合器制动器气操纵管路

Fig. C10-12

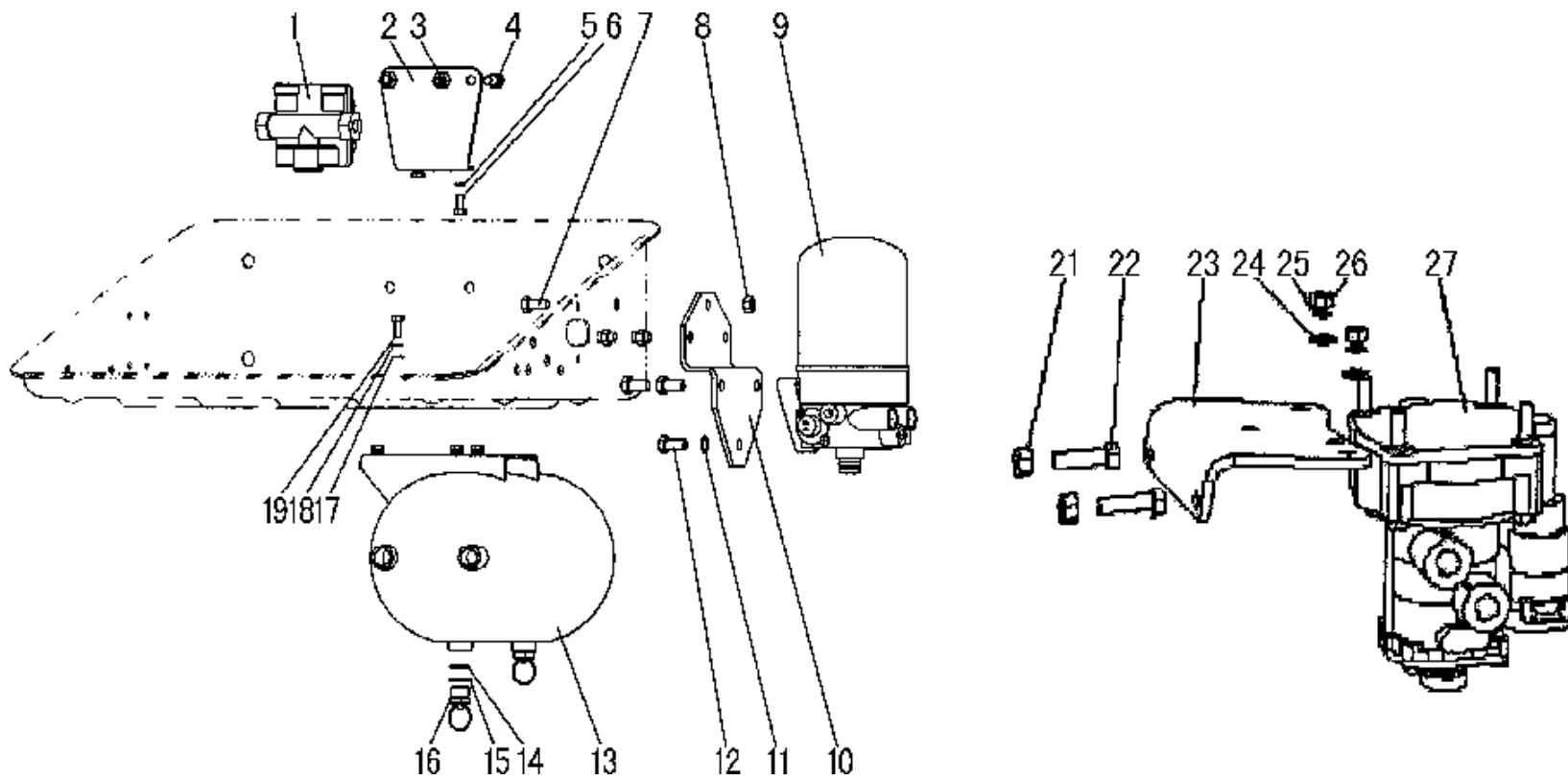


C10-12

AIR LINE FOR CLUTCH BRAKE/离合器制动器气操纵管路

No	Number of part	Quantity	Description	Applicability	Designation
1	190003179782	8	Φ6		Plastic pipe
2	WG99112280014	2	Φ6		Nozzle
3	190003559496	1	Φ6		Nozzle
4	Q80406	1	Φ6		Nozzle
5	Q80106	1			Union nut
6	190003559516	3			Union nut
7	190003559561	4			Cutting ring
8	199014280016	4			Sleeve

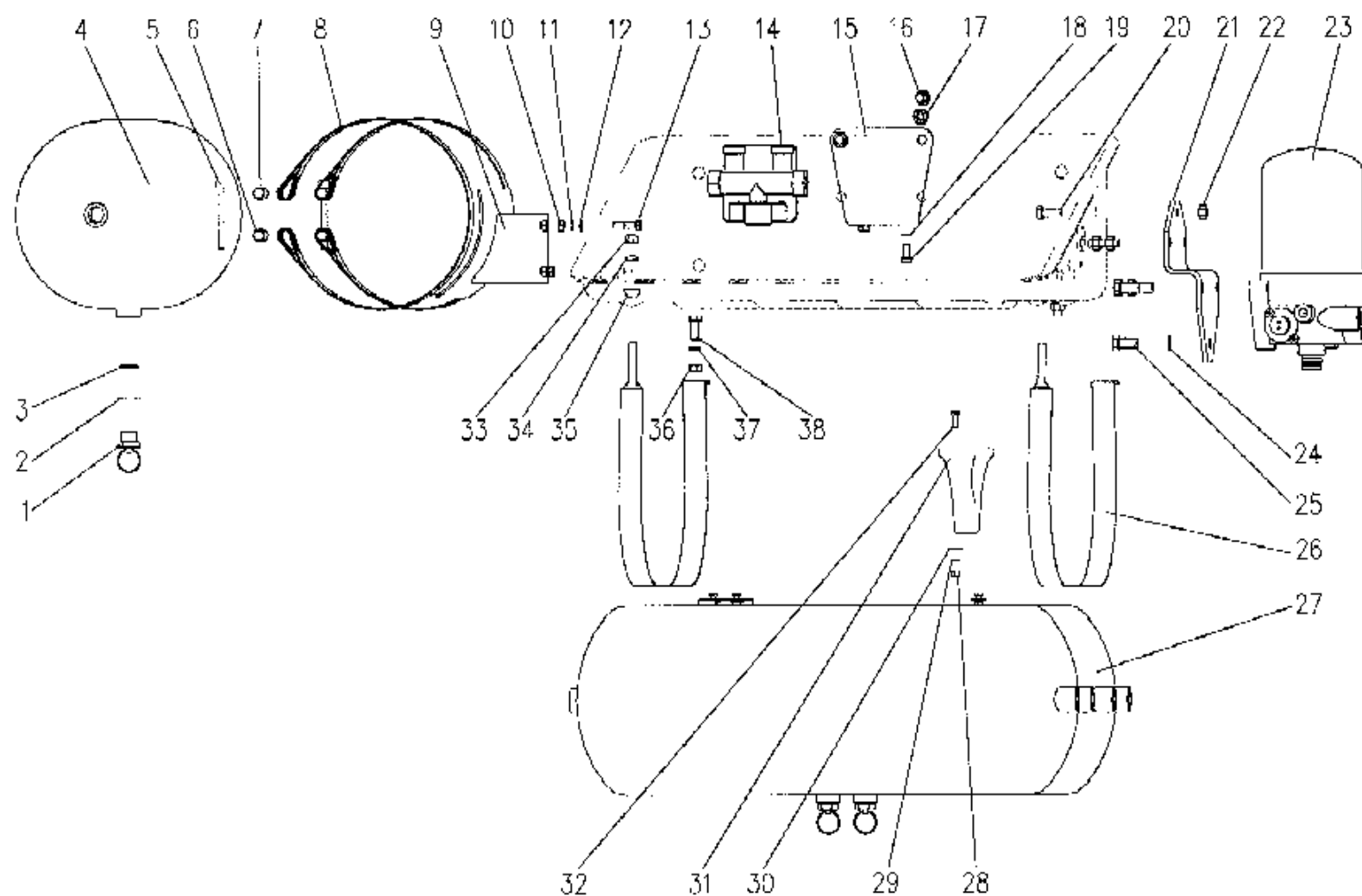
C10-13 AIR RESERVOIR FIXATION FOR TRACTOR TRUCK I/牵引车贮气筒固定 I Fig. C10-13



C10-13 AIR RESERVOIR FIXATION FOR TRACTOR TRUCK I/牵引车贮气筒固定 I

No	Number of part	Quantity	Description	Applicability	Designation
1	WG9000360366	1			4-Cir.protection valve
2	AZ9719360013	2			Bracket for protection valve
3	Q33212	2			Nut
4	Q150B1220	2			Screw
5	Q40308	2			Spring washer
6	Q150B0818	2			Screw
7	Q150B1030	3			Screw
8	Q33210	3			Nut
9	WG9100368471	1			Air dryer
10	AZ9719360014	1			Bracket for air dryer
11	Q41212	3			Toothed washer
12	Q151C1225	3			Screw
13	WG9719360001	1			Air reservoir
14	WG9100360319	2			Gasket
15	1680 250092	2			Gasket
16	WG9000360115				Drain valve
17	Q40108	4			Washer
18	Q40308	4			Spring washer
19	Q150B0820	4			Screw
21	Q33210	2			Nut
22	Q150B1035	2			Screw
23	AZ9130360003	1			Bracket for trailer control valve
24	Q40108	2			Washer
25	Q40308	2			Spring washer
26	Q340B08	2			Nut
27	WG9000360180	1			Trailer control valve

C10-14 AIR RESERVOIR FIXATION FOR CARGO TRUCK I /载货车储气筒固定 I Fig. C10-14

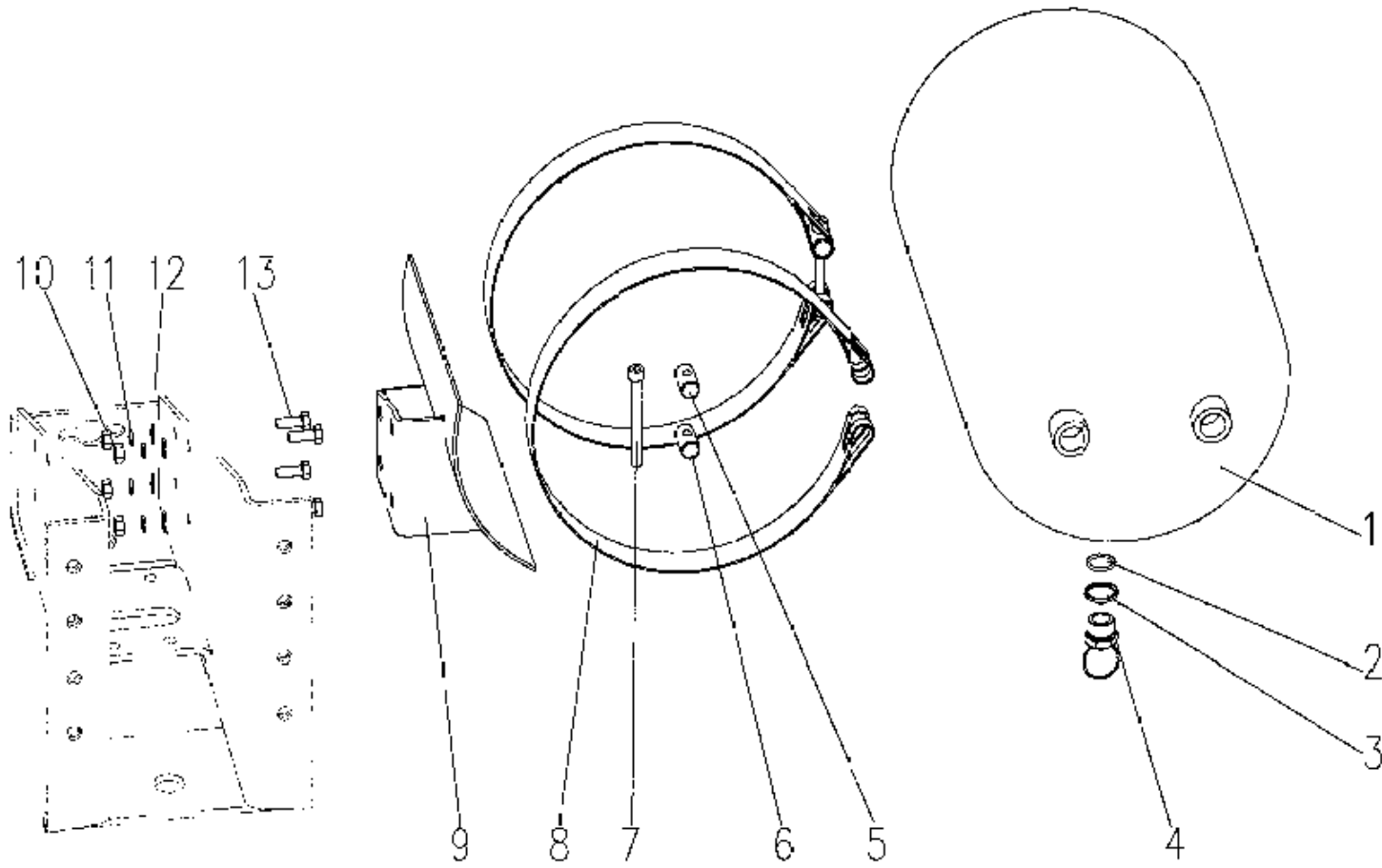


C10-14 AIR RESERVOIR FIXATION FOR CARGO TRUCK I /载货车储气筒固定 I

No	Number of part	Quantity	Description	Applicability	Designation
1	WG9000360115	3			Drain valve
2	1680 250092	3			Gasket
3	WG9100360319	3			Gasket
4	WG9003550087	1			Air reser voir 20L
5	Q218B0880	2			Screw
6	WG09 190017	2			Tension bolt
7	WG700550013	2			Tension bolt
8	WG99112270012	2			Tension strap
9	17017360105	1			Bracket
10	Q340B08	4			Nut
11	Q40308	4			Spring washer
12	Q40108	4			Washer
13	Q150B0830	4			Screw
14	WG9000360366	1			4-Cir.protection valve
15	AZ9719360013	1			Bracket for protection valve
16	Q150B1220	2			Screw
17	Q33212	2			Nut
18	Q40308	2			Spring washer
19	Q150B0818	2			Screw
20	Q150B1030	3			Screw
21	AZ9719360014	1			Bracket for air dryer
22	Q33210	3			Nut
23	WG9100368471	1			Air dryer
24	Q41212	3			Toothed washer
25	Q151C1225	3			Screw
26	WG99100360173	2			Tension strap
27	WG9003550094	2			30L air reservoir
28	Q340B06	4			Nut
29	Q40506	4			Spring washer
30	Q40206	4			Washer
31	199100360101	2			Distance piece
32	Q150B0616	4			Screw
33	Q340B10	2			Nut
34	Q40310	2			Spring washer
35	190003961510	2			Washer
36	Q340B10	2			Nut
37	Q40310	2			Spring washer
38	Q150B1025	2			Screw



C10-15 AIR RESERVOIR FIXATION FOR TRACTOR TRUCK II / 牵引车储气筒固定 II Fig. C10-15



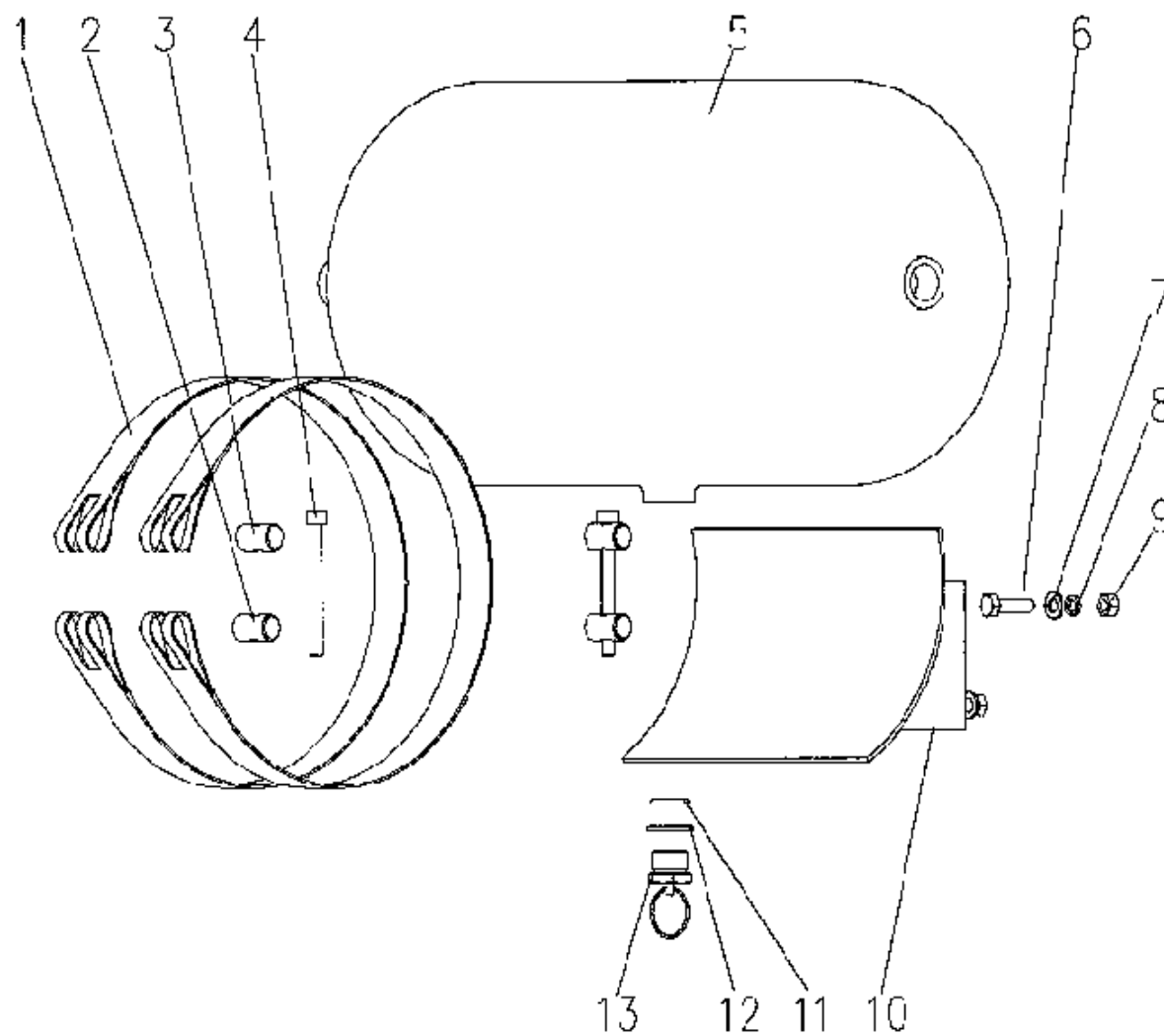
C10-15 AIR RESERVOIR FIXATION FOR TRACTOR TRUCK II / 牵引车储气筒固定 II

No	Number of part	Quantity	Description	Applicability	Designation
1	WG9014362117	1			30L reservoir
2	1680 250092	1			Gasket
3	WG9100360319	1			Gasket
4	WG9000360115	1			Drain valve
5	WG700550013	2			Tension bolt
6	WG09 190017	2			Tension bolt
7	Q218B0880	2			Screw
8	WG9719360024	2			Tension strap
9	AZ9718360005	1			Support
10	Q340B08	4			Nut
11	Q40308	4			Spring washer
12	Q40108	4			Washer
13	Q150B0822	4			Screw

C10-16

20L AIR RESERVOIR FIXATION/20L储气筒的固定

Fig. C10-16

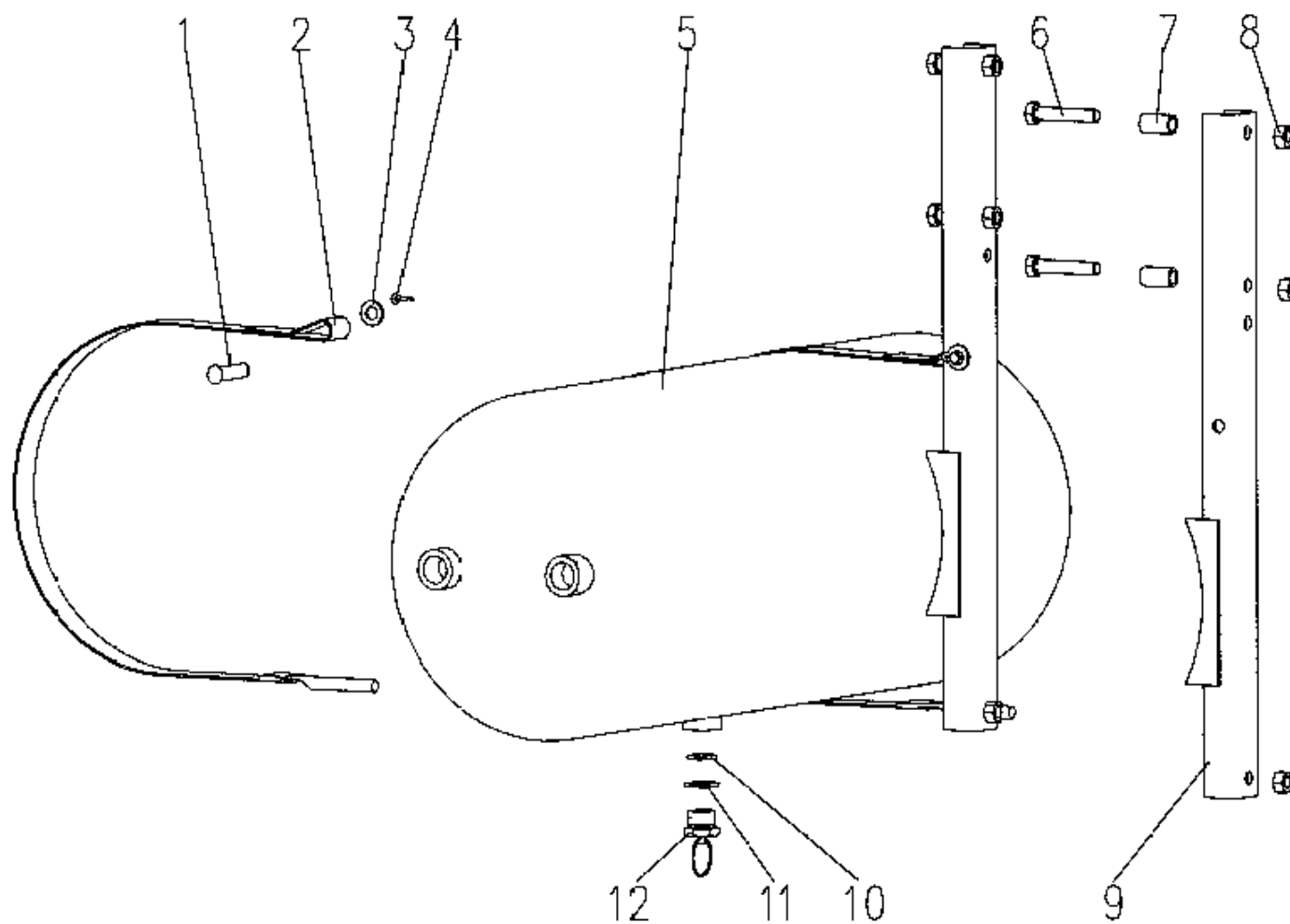


C10-16

20L AIR RESERVOIR FIXATION/20L储气筒的固定

No	Number of part	Quantity	Description	Applicability	Designation
1	WG99112270012	2			Tension strap
2	WG09 190017	2			Tension bolt
3	WG700550013	2			Tension bolt
4	Q218B0880	2			Screw
5	WG9003550087	2			Air reservoir
6	Q150B0830	4			Screw
7	Q40108	4			Washer
8	Q40308	4			Spring washer
9	Q340B08	4			Nut
10	199100360105	1			Bracket
11	WG9100360319	1			Gasket
12	1680 250092	1			Gasket
13	WG9000360115	1			Drain valve

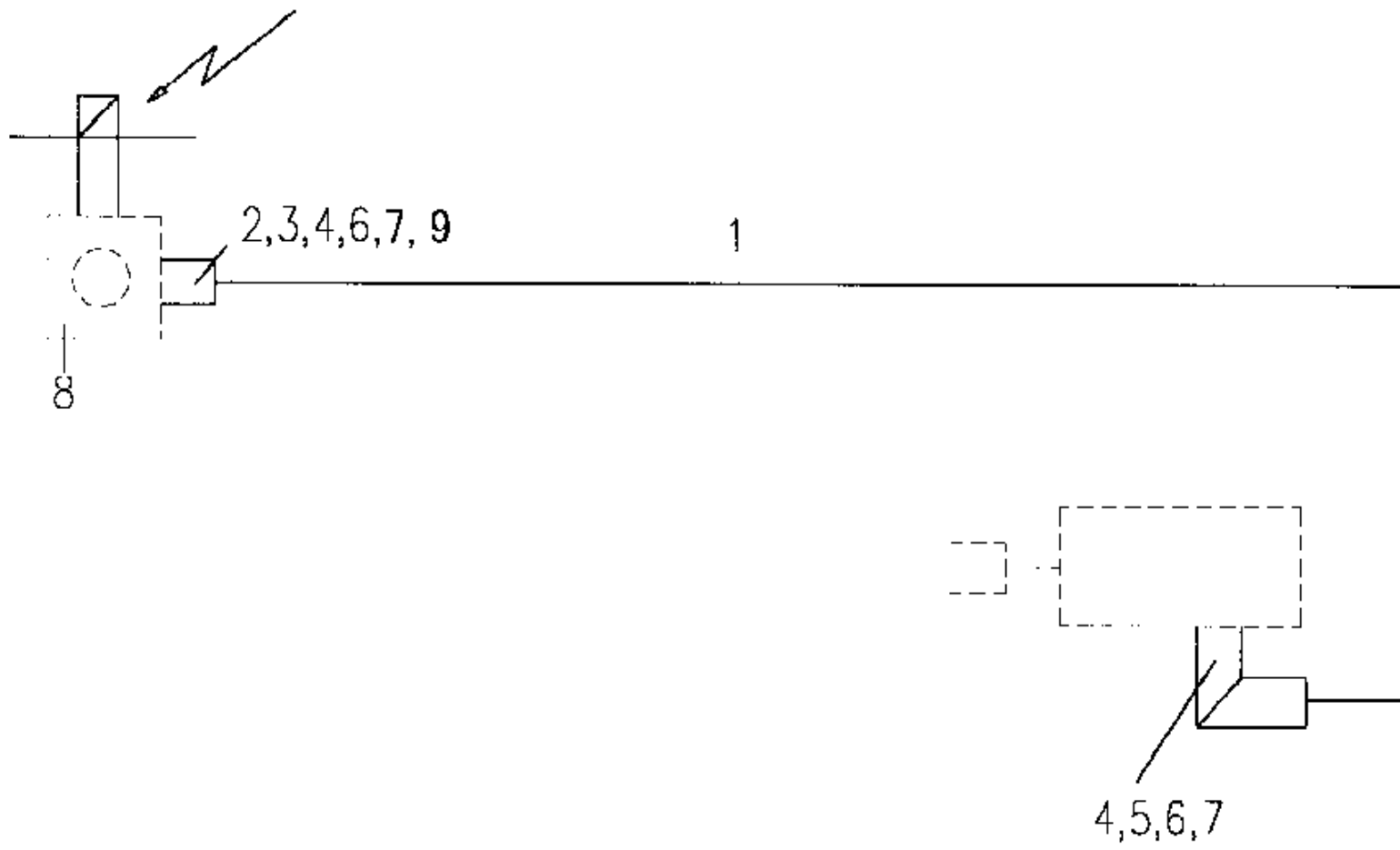
C10-17 AIR RESERVOIR FIXATION FOR TRACTOR TRUCK III/牵引车储气筒固定III Fig.C10-17



C10-17 AIR RESERVOIR FIXATION FOR TRACTOR TRUCK III/牵引车储气筒固定III

No	Number of part	Quantity	Description	Applicability	Designation
1	Q5101048	2			Bolt
2	WG99118360019	2			Tension strap
3	Q40110	2			Washer
4	Q5003214	2			Split pin
5	WG9003550098	1	Φ6×4		40Lair reservoir
5	WG9014362117	1	4×2		30Lair reservoir
6	Q150B1055	4			Screw
7	1293 250096	4			Distance sleeve
8	Q33210	6			Nut
9	AZ9118360004	2			Bracket
10	WG9100360319	1			Gasket
11	1680 250092	1			Gasket
12	WG9000360115	1			Drain valve

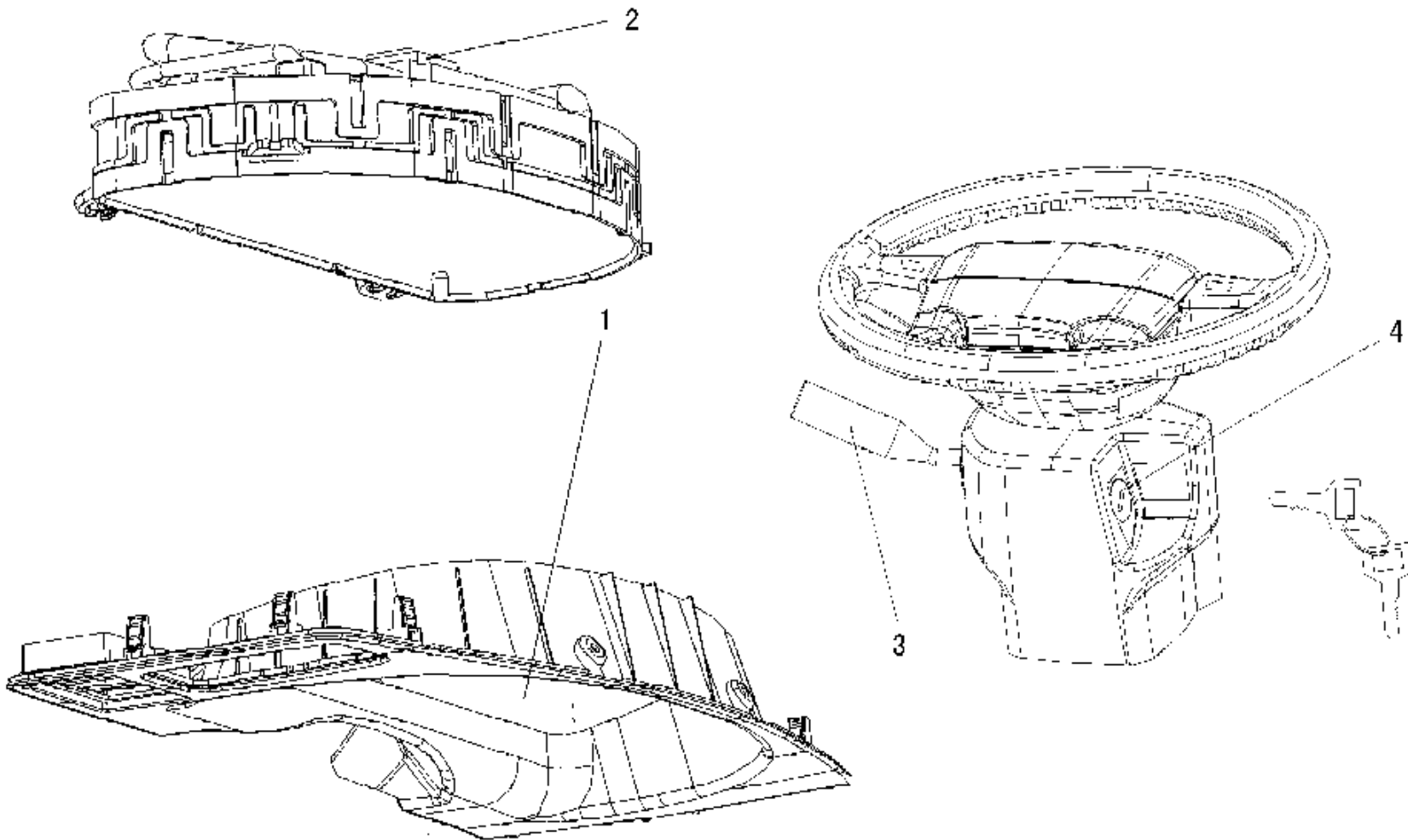
C10-7 AIR LINE FOR AXLE PNEU. DIFF. LOCK/轴间差速锁操纵管路 Fig. C10-7



C10-7 AIR LINE FOR AXLE PNEU. DIFF. LOCK/轴间差速锁操纵管路

No	Number of part	Quantity	Description	Applicability	
				4×2	6×4
1	190003179782	200	Φ6×1		√
2	190003559766	1			√
3	199000360477	1			√
4	199014280016	2			√
5	190003559497	1			√
6	190003559561	2			√
7	190003559516	2			√
8	WG9100710008	1			√
9	1288 730061	1			√

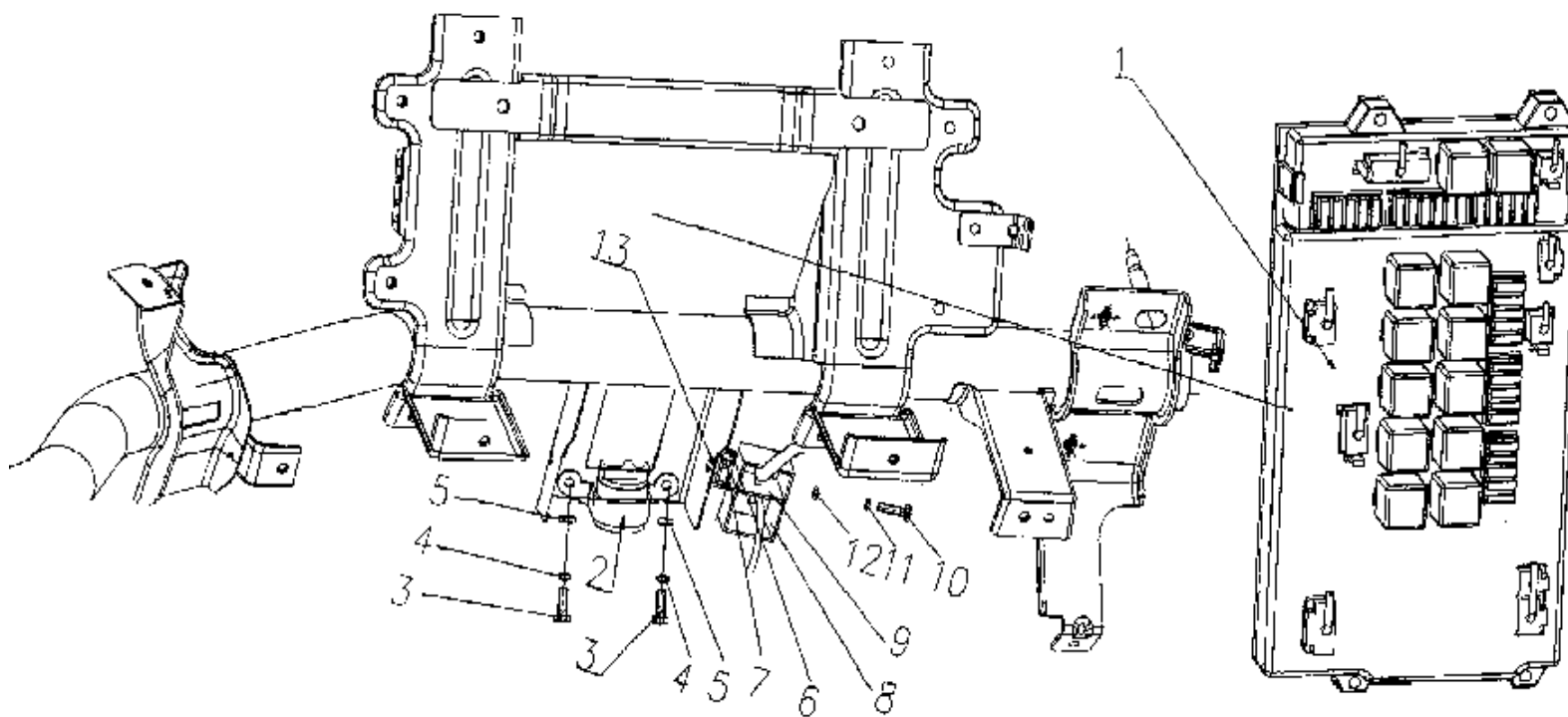
C11-1 CAN MAIN CIRCUIT ELECTRICAL DASHBOARD/CAN总线控制电气系统组合仪表盘 Fig. C11-1



C11-1 CAN MAIN CIRCUIT ELECTRICAL DASHBOARD/CAN总线控制电气系统组合仪表盘

No	Number of part	Quantity	Description	Applicability	Designation
1	AZ9719580005	1			Combination instrument panel
2	AZ9719580001	1			Center control block left
3	WG9130583017	1			Combination switch
4	AZ9130583019	1			Start switch by key
10	WG9100583056	1			Sensor for speedmeter

C11-2 CONTROL BLOCK RIGHT, RELAY, FUSE/右控制模块, 继电器, 保险丝 Fig. C11-2



C11-2 CONTROL BLOCK RIGHT, RELAY, FUSE/右控制模块, 继电器, 保险丝

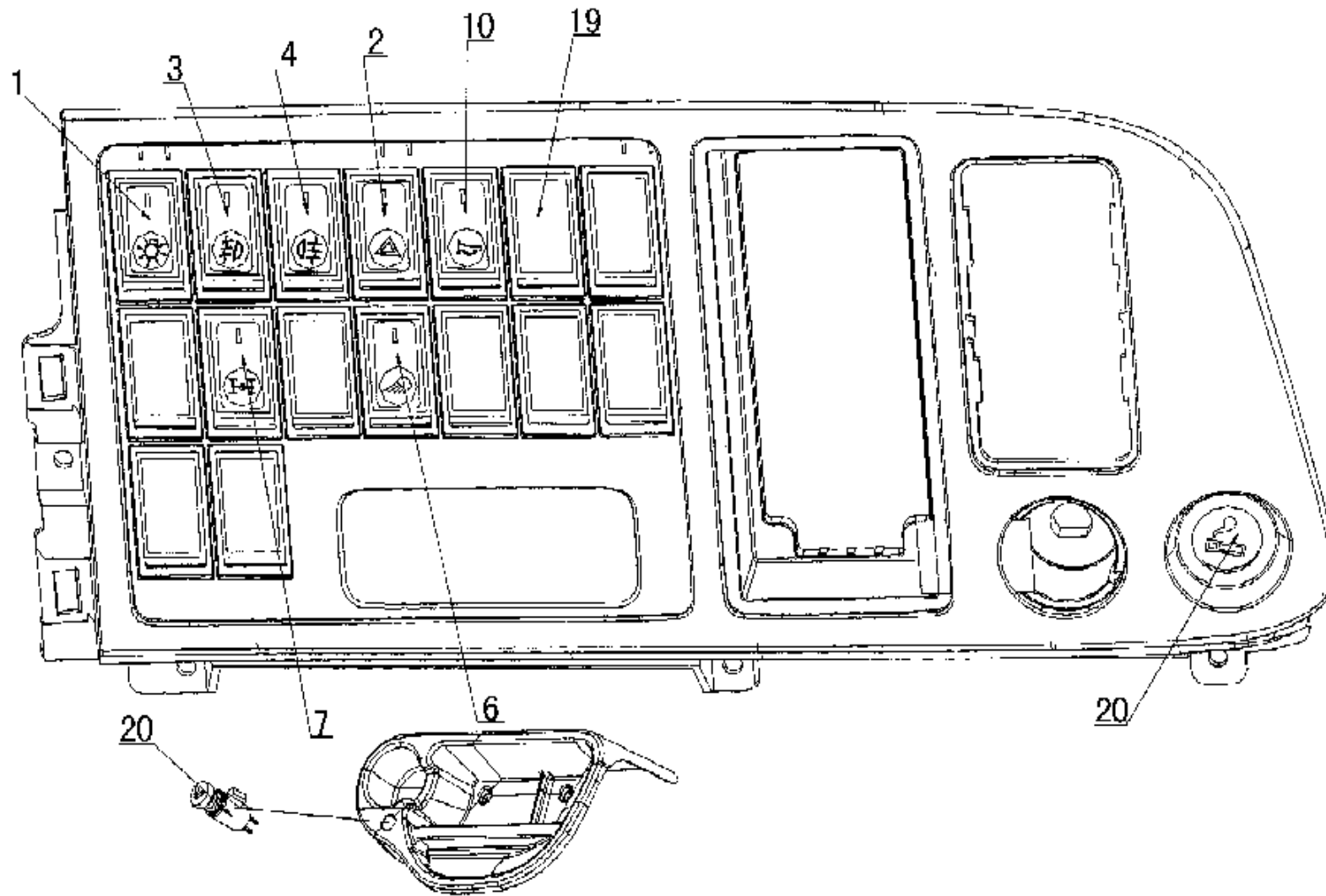
No	Number of part	Quantity	Description	Applicability	Designation
1	AZ9719580002	1			Control block right
1-1	AZ9719580002-1	1			Control block right without relay
1-2	F1-1	1	15A		Fuse for seat adjusting
1-3	F1-2	1	15A		Fuse for start switch
1-4	F1-3	1	25A		Fuse for ABS of trailer
1-5	F1-4	1	15A		Fuse for cigar lighter left
1-6	F1-5	1	15A		Fuse for radio and cigar lighter right
1-7	F2-1	1	15A		Fuse for ECAS
1-8	F2-2	1	25A		Fuse for ABS(30#)
1-9	F2-3	1	15A		Fuse for ABS(30#)
1-10	F2-4	1	15A		Fuse for electrodynamic window left
1-11	F2-5	1	15A		Fuse for electrodynamic window right
1-12	F3-1	1	15A		Fuse for spare relay
1-13	F3-2	1	15A		Fuse for spare relay
1-14	F3-3	1	10A		Fuse for ABS(15#)
1-15	F3-4	1	15A		Fuse for ECAS(15#)
1-16	F3-5	1	15A		Fuse for 15# electroline
1-17	F4-1	1	15A		Fuse for steering lights
1-18	F4-2	1	25A		Fuse for 30#electroline
1-19	F4-3	1	10A		Fuse for electrothermal seat
1-20	F4-4	1	10A		Fuse for 15# electroline
1-21	F4-5	1	10A		Fuse for air dryer
1-22	F5-1	1	10A		Fuse for combination instrument and control block left
1-23	F5-2	1	10A		Fuse for wiper
1-24	F5-3	1	25A		Fuse for electroline of air conditioner
1-25	F5-4	1	10A		Fuse for low beam
1-26	F5-5	1	25A		Fuse for high beam
1-27	F6-1	1	25A		Fuse for position light
1-28	F6-2	1	15 A		Fuse for electroline D <sup>+</sup>
1-29	F6-3	1	10:00 AM		Fuse for front fog lamp
1-30	F6-4	1	15 A		Spare fuse
1-31	F6-5	1	10:00 AM		Spare fuse
1-32	J1	1			Relay for steering lamp right
1-33	J2	1			Relay for air dryer and electrothermal seat
1-34	J3	1			Relay for air conditioner
1-35	J4	1			Relay for high beam
1-36	J5	1			Relay for fog lamp front
1-37	J6	1			Relay for steering lamp left
1-38	J7	1			Relay for wiper intermission control
1-39	J8	1			Relay for low beam
1-40	J9	1			Relay for position light
1-41	J10	1			Spare relay
1-42	J11	1			Spare relay
2	WG9100583049	1			Start relay (80A)
3	Q150B0516	2			Screw
4	Q40305	2			Spring washer
5	Q340B05	2			Nut
6	Q340B05	2			Nut

7	Q40405	2			Spring washer
8	189100770103	1			Line connector( I )
9	189100770104	2			Line connector( II )
10	Q150B0518	1			Screw
11	Q41205	1			Toothed washer
12	Q340B05	1			Nut
13	AZ9719770040	1			Bracket
14	WG9160580501	1		Option	ABS(4S/4M)electrical control unit(WABCO)
14a	AZ9718580002	1		Option	ECU bracket(WABCO)
15	WG9718580001	1		Option	ABS(4S/4M)electrical control unit(KNORR)
15a	AZ9718580003	1		Option	ECU bracket(KNORR)

C11-3

SWITCHS, CIGAR LIGHTER/翘板开关, 点烟器

Fig. C11-3



C11-3

SWITCHS, CIGAR LIGHTER/翘板开关, 点烟器

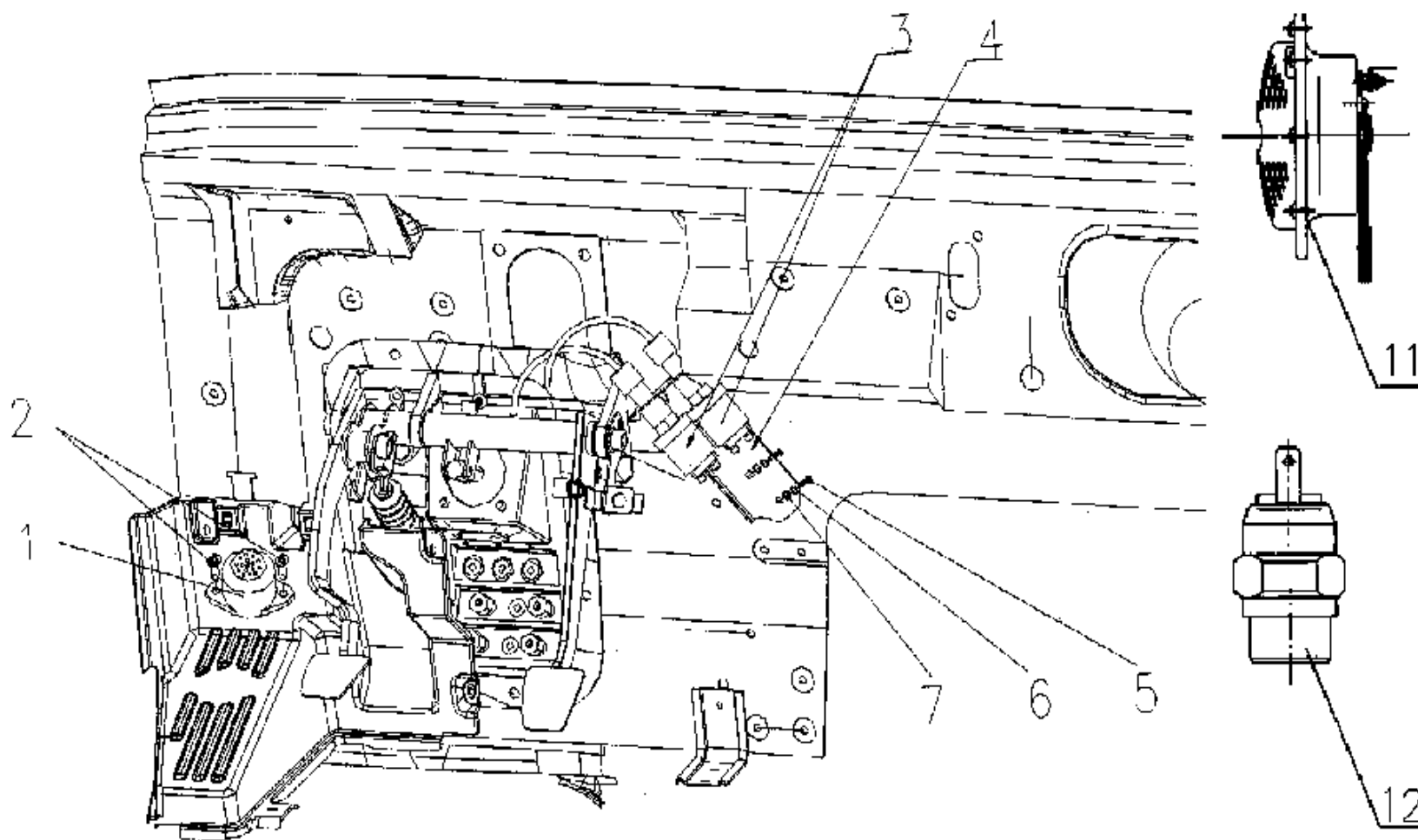
No	Number of part	Quantity	Description	Applicability	Designation
1	WG9719582001	1			Light switch
2	WG9719582004	1			Emer.blinker system switch
3	WG9719582002	1			Front fog lamp switch
4	WG9719582004	1			Rear fog lamp switch
5	WG9719582007	1			Working lamp switch
6	WG9719582011	1			Wheel diff.lock switch
7	WG9719582012	1			Axle diff.lock switch
8	WG9719582013	1			All-wheel-drive switch
9	WG9719582010	1			Power take off switch
10	WG9719582005	1			Horn switch
11	WG9719582018	1			Transfer case high/low speed switch
12	WG9719582017	1			Transfer case neutral switch
13	WG9719582009	1			PTO neutral switch
14	WG9719582008	1			Cool start switch
15	WG9719582014	1			ABS check switch
16	WG9719582019	1			Lifting switch for trailing axle
17	WG9719582020	1			ECU check switch
18	WG9719582030	1			Switch for ECU check lamp
19	WG9900580021	1			Cover
20	WG9100580141	2			Cigar lighter
21	WG9725580001				Outer cover for check connector



C11-4

ELECTRICAL EQUIPMENT ON THE CHASSIS/底盘电器

Fig. C11-4



C11-4

ELECTRICAL EQUIPMENT ON THE CHASSIS/底盘电器

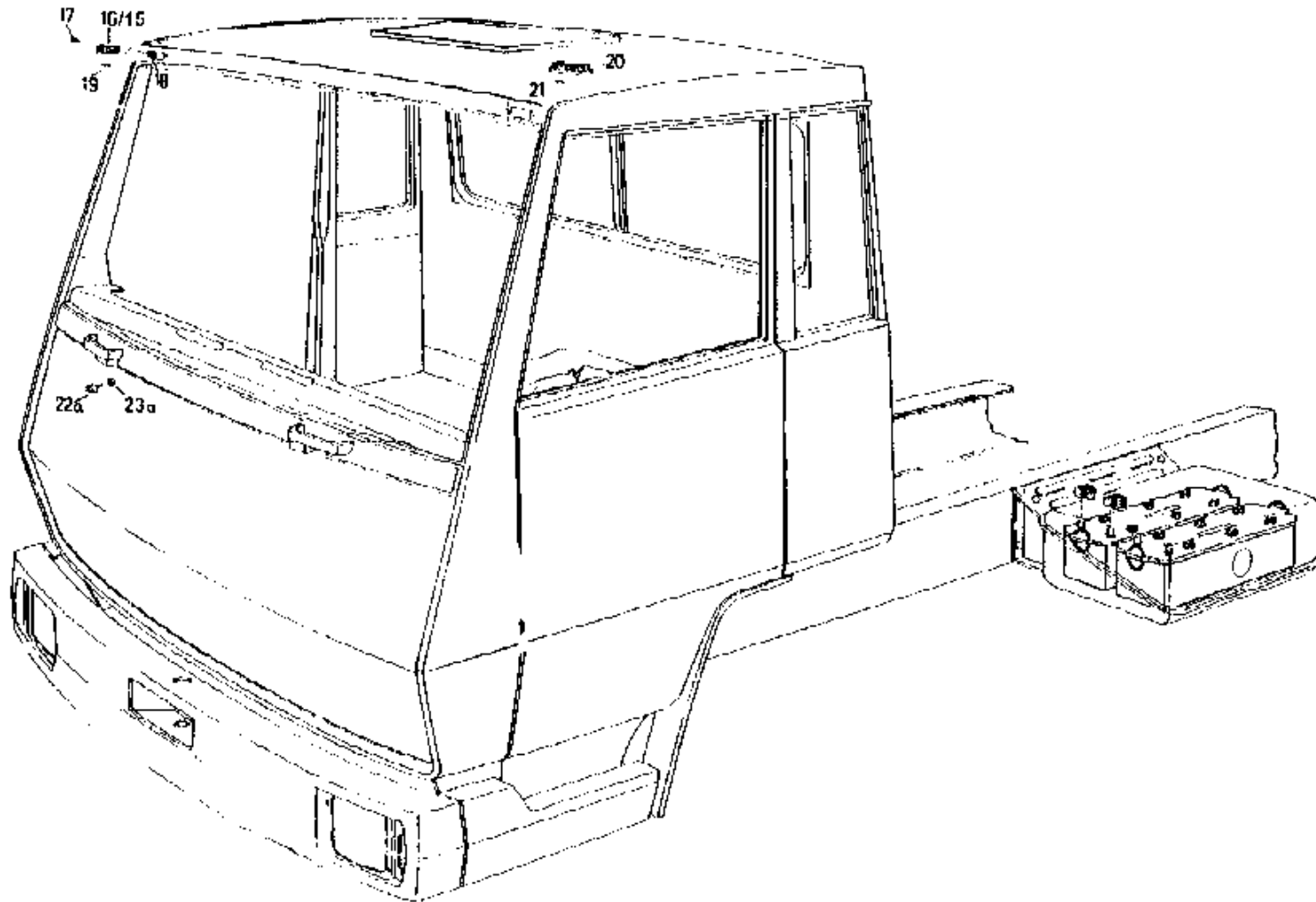
No	Number of part	Quantity	Description	Applicability※	Designation
1	WG9719710001	1			Exhaust brake switch
1	WG9719710002	1		For drive right	Exhaust brake switch
2	Q2714216	2			Screw
3	WG9130713001	2			Air pressure sensor
4	AZ9725710001	1			Bracket
5	Q150B0616	2			Screw
6	Q40306	2			Spring washer
7	Q41206	2			Washer
8	WG9100580141	1			Cigar lighter
9	WG9718710001	1			Electromagnetic valve for pneumatic horn
9a	Q150B0816	3			Screw
9b	Q40308	3			Spring washer
10	WG9100710008	5			Electromagnetic valve
10a	Q150B08110	2			Screw
10b	190003800497	2			Screw
10c	190003962019	4			Screw
10d	Q72312T5F	3			Gasket
10e	Q33208	4			Nut
11	WG9718710002	1			Electro horn
11a	Q1460825	1			Combination screw
11b	Q33208	1			Nut
12	WG9100710004	2			Air pressure signal lamp switch
13	WG9725580028	1		For HHR	Water temeroture sensor
14	WG9725580029	1		For HHR	Oil pressure sensor
15	WG9725580006	1		For HHR	100Aprotector
16	WG9725580009	1		For HHR	5A protector
17	AZ9725580015	1		For HHR	Relay for battery
18	AZ9725580011	1		For HHR	Cutout relay
19	190003499855	1		For tractor	Seven hole socket
20	WG9160710522	4			ABS sensor(WABCO)
21	WG9160710523	4			Sleeve for ABS sensor(WABCO)
22	WG9718580005	4			ABS sensor(KNORR)
23	WG9718580006	4			Sleeve for ABS sensor(KNORR)

※ HHR—HOWO with HINO engine

C11-5

ELECTRICAL EQUIPMENT IN DRIVER CAB/驾驶室电器

Fig. C11-5



C11-5

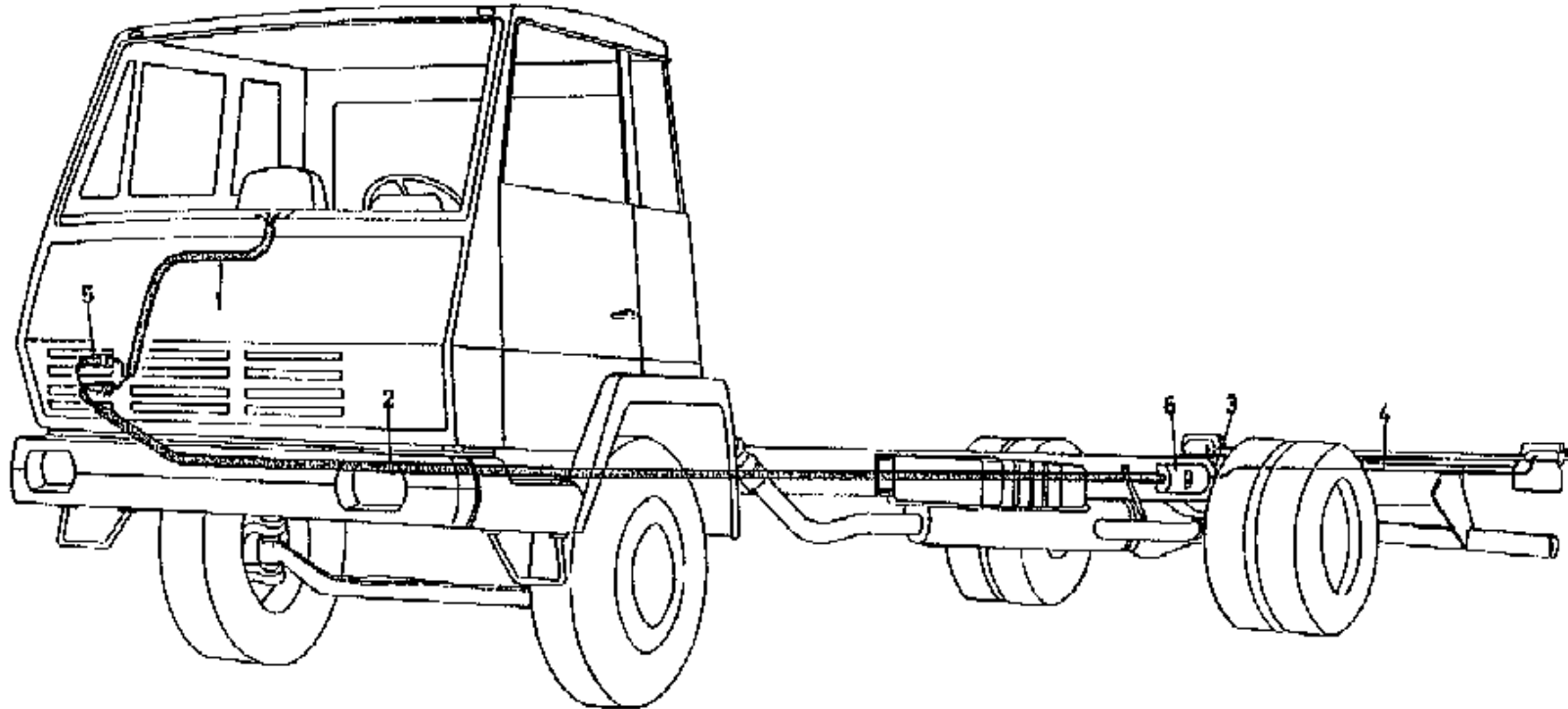
ELECTRICAL EQUIPMENT IN DRIVER CAB/驾驶室电器

No	Number of part	Quantity	Description	Applicability	Designation
15	WG9719790007	2		For standard, long cab	Side lamp
15	WG9719790005	1		High-roof cab	Left, front side lamp
16	WG9719790008	1		High-roof cab	Right, front side lamp
16a	WG9719790006	2		High-roof cab	Rear side lamp
17	Q2764825	8			Screw
18	Q39748202	4			Spring nut
19	169200720016	4	24V 5W		Bulb
20	WG9719790002	4			Internal light
20a	WG9719790003	4	24V 5W	Standard, long cab	Internal light
20b	WG9719790004	2		High-roof cab	Reading lamp
21	179100810051	4			Bulb
22	WG9719790001	2			Door contact
23	Q2764216	2			Screw
25	AZ9719770006	1		Standard, long cab	Roof line of cab
25	AZ9719770015	1		High-roof cab	Roof line of cab
26	AZ9719770005	1		Standard cab	Line for driver's cab
26	AZ9719770009	1		Long, high-roof cab	Line for driver's cab
27	AZ9719770007	1			Reading lamp line
55	WG1642440052	1			Lock signal switch for cab

C11-6

ELECTRICAL LINES/电线线束

Fig. C11-6



C11-6

ELECTRICAL LINES/电线线束

No	Number of part	Quantity	Description	Applicability※	Designation
1	AZ9719770001	1			Driver's cab-line
1	AZ9716770001	1		For drive right	Driver's cab-line
1	AZ9130775038	1			Driver's cab-line ABS(Wabco)
1	AZ9718770061	1		S35/4×2	Gearbox-connector negative line(240)
1	AZ9718770062	1		K29/6×4	Gearbox-connector negative line(300)
1	AZ9718770063	1		K46/4×2,K32,S32/6×4	Gearbox-connector negative line(350)
1	AZ9718770064	1		B32,K36,K38/6×4	Gearbox-connector negative line(410)
1	AZ9718770065	1		O46/4×2,B36/6×4	Gearbox-connector negative line(470)
1	AZ9718770066	1		O50/4×2,K28,K30,K38/6×4	Gearbox-connector negative line(540)
1	AZ9718770067	1		O43,O46/6×4,B32/8×4	Gearbox-connector negative line(610)
1	AZ9718770068	1		N56/4×2,K32/8×4	Gearbox-connector negative line(690)
1	AZ9718770069	1		O52/6×4,O38/8×4	Gearbox-connector negative line(760)
1	AZ9718770070	1		N58/6×4,O46/8×4	Gearbox-connector negative line(830)
1	AZ9719770002	1			Switch-line
1	AZ9719770041	1			Electro-line for ABS(Wabco)
1	AZ9718770020	1			Electro-line for ABS(Knorr)
1	AZ9719770010	1			Chassis-line for air conditioner
1	AZ9718770085	1			Speedmeter cable (470)
2	AZ9731770012	1		K(B)28,32,30/8×4	Starter-line
2	AZ9731770013	1		B30,O46/8×4	Starter-line
2	AZ9719770013	1			Starter-line
2	WG9130773086	1			Speedometer-line
2	AZ9719770051	1			Electro-line for ABS on trailer
2	AZ9718770051	1			Electro-line for ABS on trailer
2	WG9100773029	1		8×4	Air dryer-line
2	AZ9719770028	1		O46/4×2,s、k32/6×4	Chassis frame-line
2	AZ9719770026	1		S35/4×2	Chassis frame-line
2	AZ9719770027	1		K29/6×4	Chassis frame-line
2	AZ9719770029	1		B32,K36,K38/6×4	Chassis frame-line
2	AZ9719770030	1		O46/4×2,B36/6×4	Chassis frame-line
2	AZ9719770031	1		O50/4×2,O38/6×4, K28,K30/8×4	Chassis frame-line
2	AZ9719770035	1		O40,O46/8×4,K58/6×4	Chassis frame-line
2	AZ9719770032	1		S,B32/8×4,O43,O46/6×4	Chassis frame-line
2	AZ9130775051	1		S32/6×4	ABS(4S/4M)chassis line
2	AZ9719770033	1		N56/4×2,K32/8×4	Chassis frame-line
2	AZ9719770034	1		N52/6×4,O38/8×4	Chassis frame-line
2	AZ9719770014	1		FAST gearbox	Transmission and air filter-line
2	AZ9718770014	1		QJ gearbox	Transmission-line
2	AZ9731770024	1		O46/8×4	Fuel tank,solenoid valve and air dryer-line
2	AZ9731770027	1		K,B32-40/8×4	Fuel tank,solenoid valve and air dryer-line
2	AZ9719770023	1		O46,N58/6×4,S32/6×4	Fuel tank,solenoid valve and air dryer-line
2	AZ9731770026	1		O46/8×4	Fuel tank,solenoid valve and air dryer-line
2	AZ9731770025	1		K,B28,32,38/8×4	Fuel tank,solenoid valve and air dryer-line
2	AZ9719770021	1		O,S/4×2	Fuel tank,solenoid valve and air dryer-line
2	AZ9719770022	1		S32/6×4	Fuel tank,solenoid valve and air dryer-line
2	AZ9719770024	1		O,K/32-38/6×4	Fuel tank,solenoid valve and air dryer-line

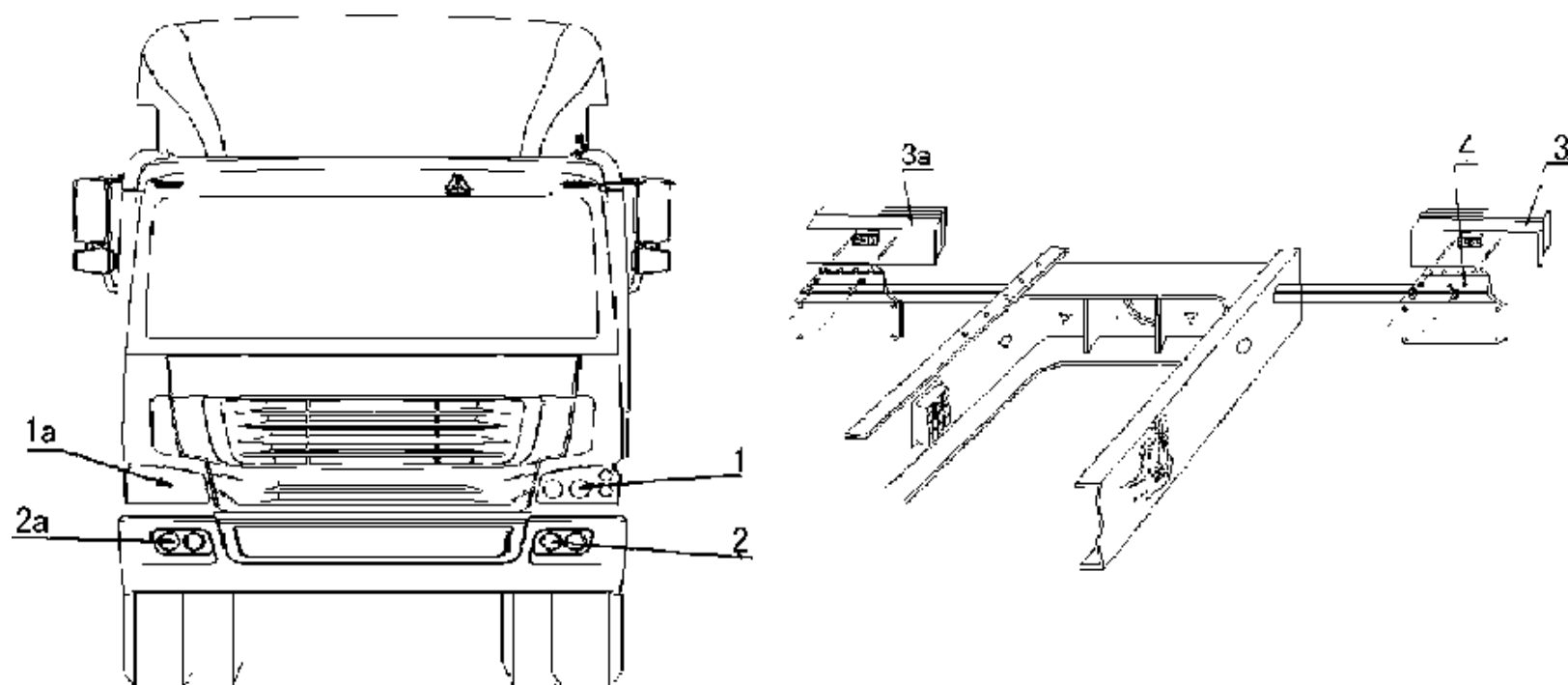
2	AZ9719770012	1			Engine-line
2	AZ9716770020	1			Power take off-line
2	WG9130775007	1			Work lamp chassis-line
2	189100770068	1			Seven hole socket-line
2	AZ9719770054	1			ABS socket-line
2	AZ9718770054	1			ABS socket-line
2	WG9100770255	1		For Tractor	Flexible spirality cable-line
2	AZ9719770052	1		For Tractor	Flexible spirality cable-line for ABS
2	AZ9725770001	1		For tractor	Side lamp-line
2	AZ9731770020	1			Lifting magnetic valve-line
2	AZ9718770052	1			Flexible spirality cable-line for ABS
2	AZ9731770042	1		O46/8×4	ABS chassis-line(6S/6M)
2	AZ9731770043			O38/8×4	ABS chassis-line(6S/6M)
2	AZ9731770044			O46/8×4	ABS chassis-line(6S/6M)
2	AZ9731770045			K28/8×4	ABS chassis-line(6S/6M)
2	AZ9719770053	1			ABS socket
2	AZ9718770026	1		3800/4×2	ABS chassis frame line(Knorr)
2	AZ9718770024	1		4600/4×2	ABS chassis frame line(Knorr)
2	AZ9718770026	1		5600/4×2	ABS chassis frame line(Knorr)
2	AZ9718770031	1		2900/6×4	ABS chassis frame line(Knorr)
2	AZ9718770032	1		3400/6×4	ABS chassis frame line(Knorr)
2	AZ9718770033	1		3800/6×4	ABS chassis frame line(Knorr)
2	AZ9718770035	1		4600/6×4	ABS chassis frame line(Knorr)
2	AZ9718770037			5800/6×4	ABS chassis frame line(Knorr)
3	189100770082	1			Axle diff.lock and wheel diff.lock-line
4	AZ9719770019	1		K46/4×2	Right,rear combination lamp-line
4	AZ9719770017	1		B,K,O,S	Right,rear combination lamp-line
4	AZ9719770016	1		B,K,O,S	Left,rear combination lamp-line
4	AZ9719770018	1		K46/4×2	Left,rear combination lamp-line
4	AZ9718770060	1			Connector negative-line
4	AZ9716770016			O	Left rear combination lamp-line
4	AZ9716770017			O	Right rear combination lamp-line
5	189100770103				Connecting box I
5a	189100770104				Connecting box I
6	WG9100770392	1			Line connector body
6a	179100770391	1			Line connector
6b	WG9100770394	1			Line connector cover

※O—Cargo truck K—Tipper truck S—Tractor truck B—Concrete mixer

C11-7

LIGHTS/灯具

Fig. C11-7



C11-7

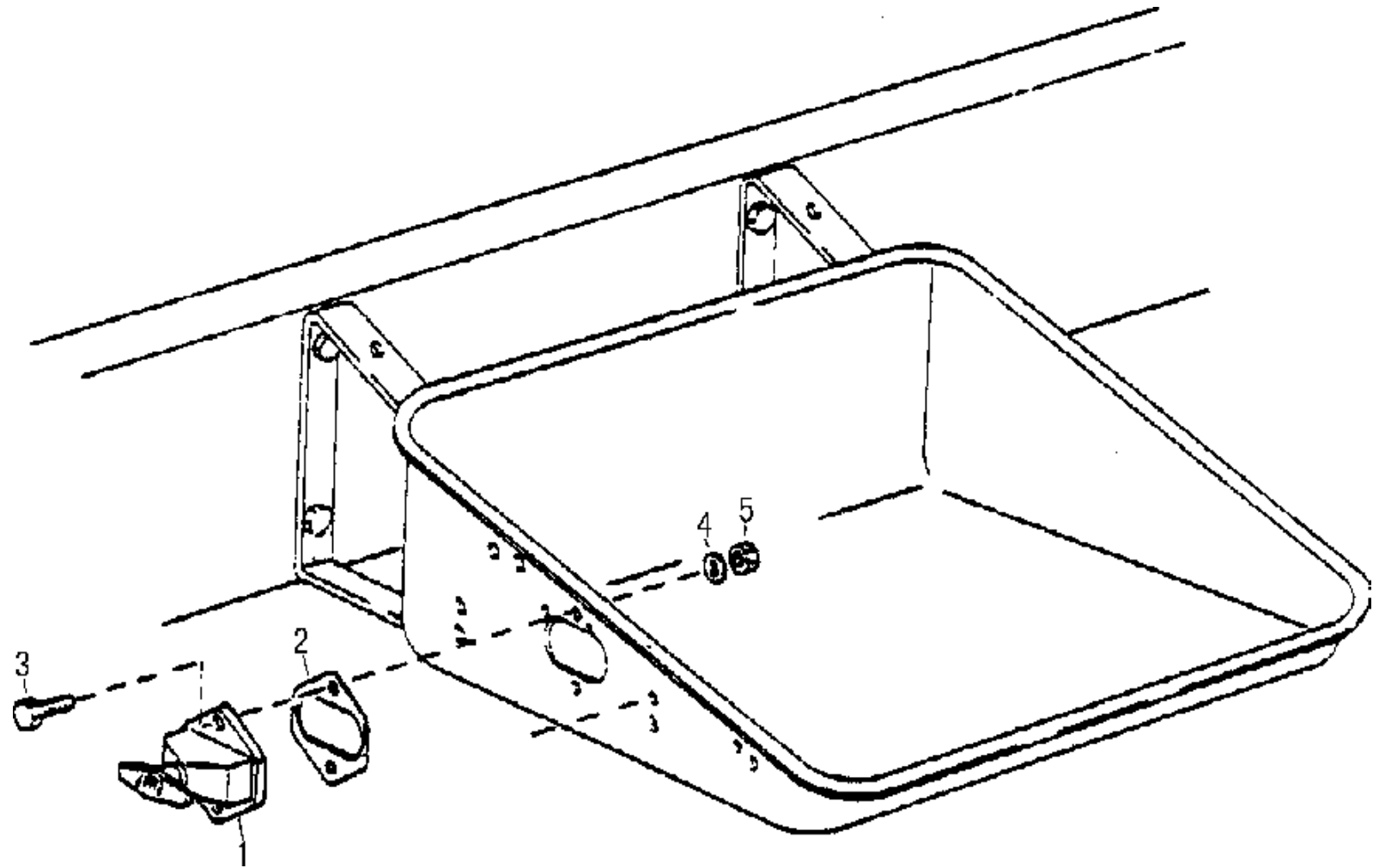
LIGHTS/灯具

No	Number of part	Quantity	Description	Applicability	Designation
1	WG9719720001	1			Left head lamp
1a	WG9719720002	1			Right head lamp
1	WG9716720001	1		For drive right	Left head lamp
1a	WG9716720002	1		For drive right	Right head lamp
2	WG9719720005	1			Front left combinatory lamp
2a	WG9719720006	1			Front right combinatory lamp
3	WG9719810001	1			Rear left combinatory lamp
3a	WG9719810002	1			Rear right combinatory lamp
4	AZ9725810001	1			Spacing plate for tail light
5	1-34-172-010	1		For tractor	Working lamp
6	WG9100720012	2		For tractor	Side lamp

C11-8

BATTERY, MAIN SWITCH/蓄电池, 电源总开关

Fig. C11-8



C11-8

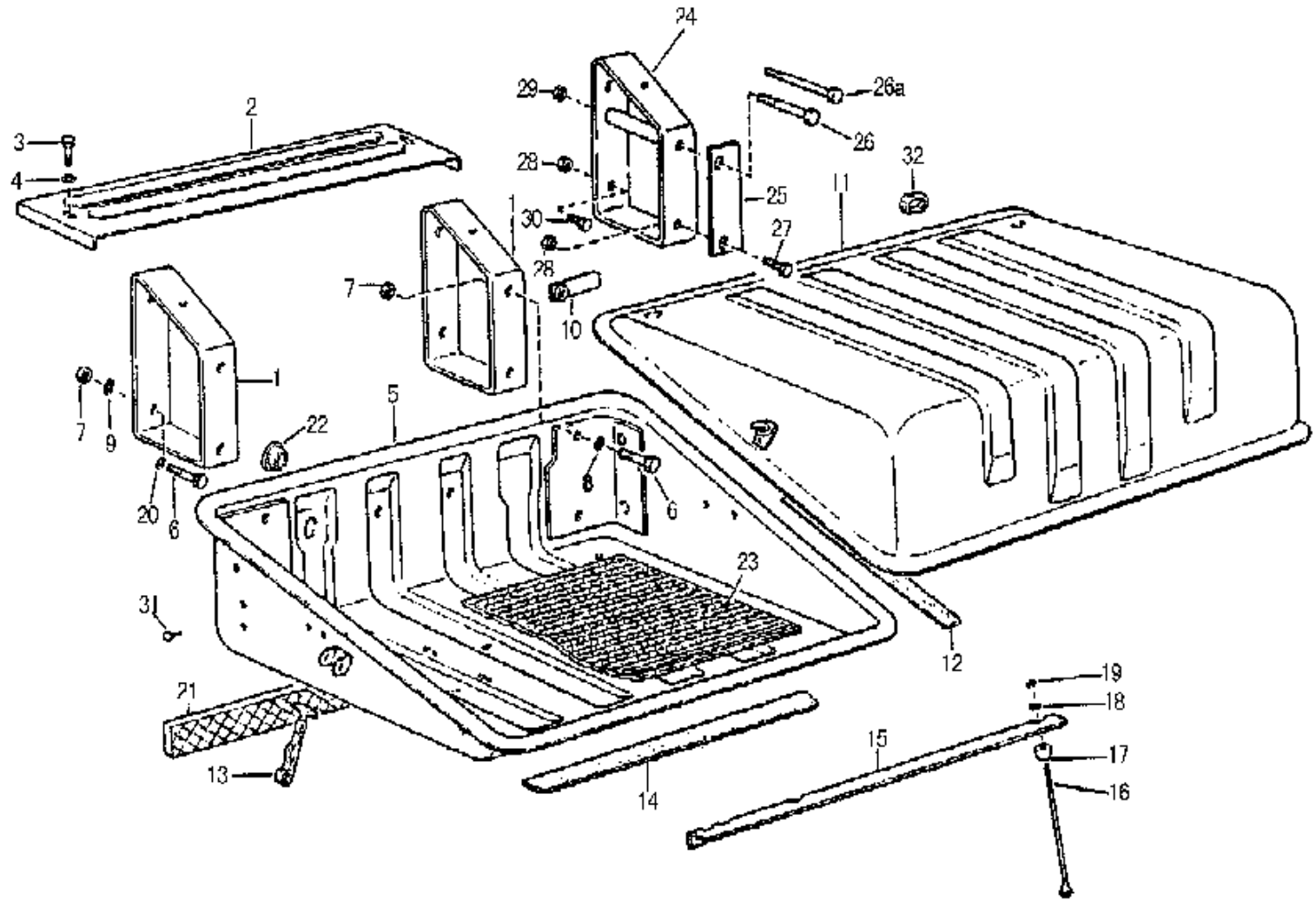
BATTERY, MAIN SWITCH/蓄电池, 电源总开关

No	Number of part	Quantity	Description	Applicability	Designation
1	WG9100760100	1			Battery main switch
2	199100760099	1			Gasket
3	Q150B0835	2			Screw
4	Q40308	2			Spring washer
5	Q340B08	2			Nut
6	WG9100760064	2	135Ah		Battery
6	WG9100760065	2	165Ah		Battery
6	WG9100760001	2	180Ah		Battery

C11-9

BATTERY BOX/蓄电池箱

Fig. C11-9



C11-9

## BATTERY BOX/蓄电池箱

No	Number of part	Quantity	Description	Applicability	Designation
2	199100760011	1			Cover
3	190003846410	2			Screw
4	Q40008	2			Washer
5	WG9719760004	1			Battery case bottom
6	Q151B16200	4			Screw
7	Q33216	4			Nut
8	Q40016	4			Washer
11	WG9100760002	1			Battery case top
13	WG9100760021	2			Hood carrier
14	190003179044	4			Edge protection
15	179200760024	4			Angle
16	AZ9100760143	4			Screwy rod
17	1682 110021	4			Rubber buffer
18	Q40008	4			Washer
19	Q33408	4			Nut
21	WG9100760066	1			Spacing plate
22	190003179425	8			Plug
23	WG9100760084	1			Rubber base
24	199114760004	2			Bracket
25	AZ9100760001	1			Plate
26a	Q150B16200	2			Screw
27	Q151B1645	4			Screw
28	190003888459	6			Nut
31	1293 13 0067	4			Rubber buffer



C12-1

DRIVER' S CAB/驾驶室

Fig. C12-1



HW79高顶型  
HW79/79R  
High-roof driver' s cab

HW70标准型  
HW70/70R  
Standard driver' s cab

C12-1

DRIVER' S CAB/驾驶室

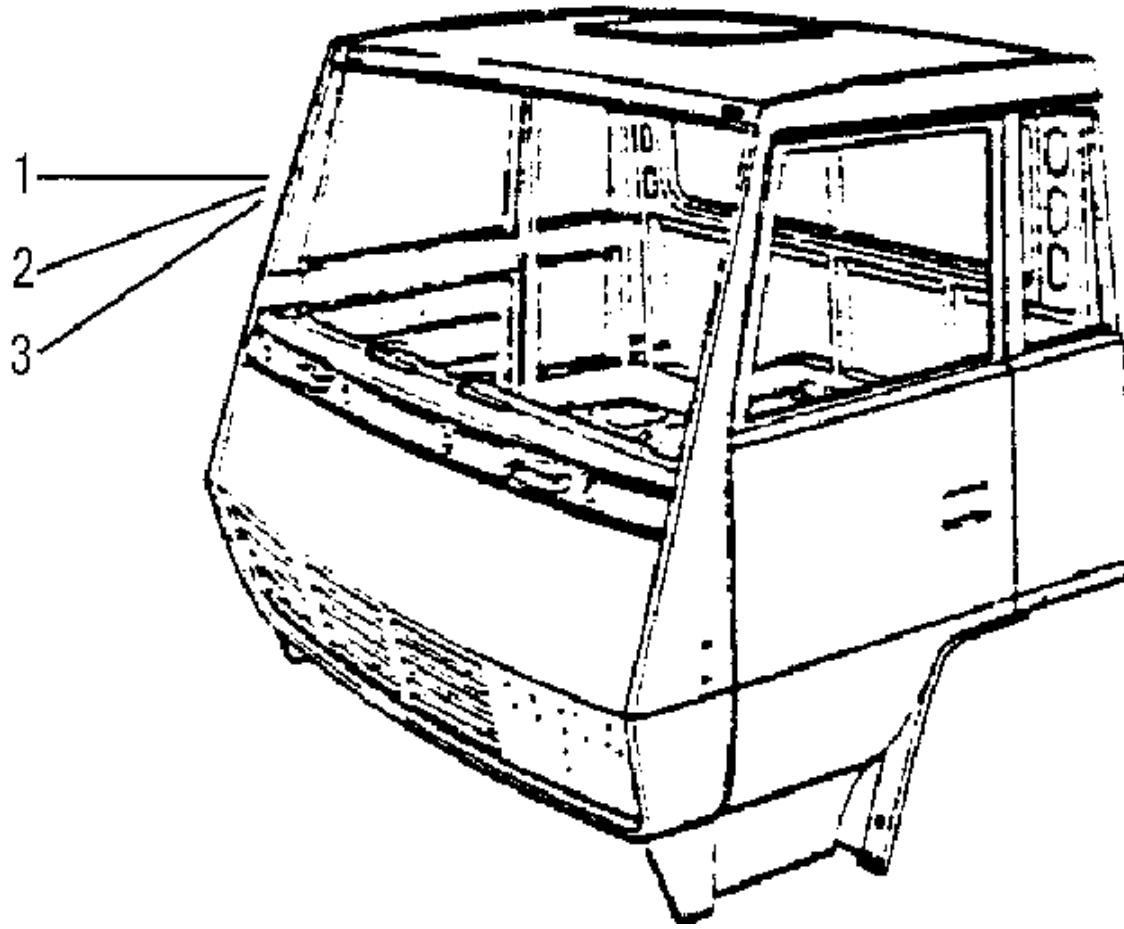
No	TYPE	Mark	Description	Applicability	Designation ※
1	HW70	A			HW 70 Standard driver's Cab
2	HW70R	AR			HW 70 Standard driver's Cab r.
3	HW76	B			HW 76 Long driver's Cab
4	HW76R	BR			HW 76 Long driver's Cab r.
5	HW79	C			HW 79 high-roof driver's Cab
6	HW79R	CR			HW 79 high-roof driver's Cab r.

※ r.—— Drive right

C12-2

CAB BODY SHELL/驾驶室本体

Fig. C12-2



C12-2

CAB BODY SHELL/驾驶室本体

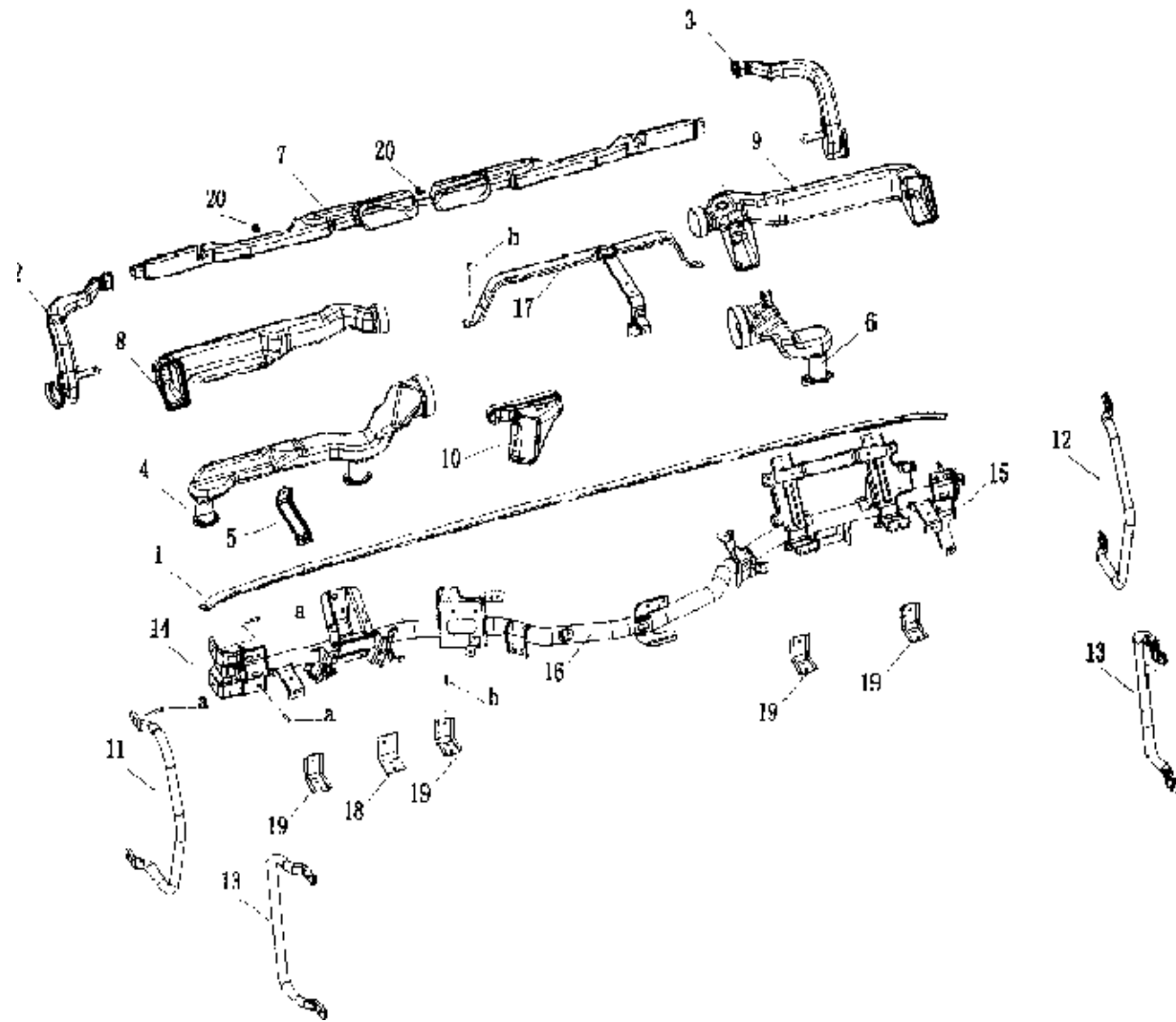
No	Number of part	Quantity	Description	Applicability	Designation ※
1	AZ1641100001	1			HW70 standard body shell C
1	AZ1646100001	1			HW70 standard body shell C r.
1—1	AZ1642180029	1			HW70 standard body shell
1—1	AZ1646186001	1			HW70 standard body shell r.
2	AZ1642100001	1			HW76 long body shell C
2—1	AZ1642180001	1			HW76 long body shell
2	AZ1646100002	1			HW76 long body shell C r.
2—1	AZ1646180001	1			HW76 long body shell r.
3	AC16410.00401	1			HW79 high-roof cab body C
3—1	AZ1644100001	1			HW79 high-roof cab body shell C
3—1	AZ1644181001	1			HW79 high-roof cab body shell
3—2	WG1644170001	1			High roof
3—3	WG1644170005	1			Front right bracket for high roof
3—4	WG1644170006	1			Front left bracket for high roof
3—5	WG1644170007	1			Middle bracket for high roof
3—6	WG1644170008	1			Rear bracket for high roof
3	AC16410.00402	1			HW79 high-roof cab body r.
3—1	AZ1646100004	1			HW79 high-roof cab body shell C r.
3—1	AZ1646180004	1			HW79 high-roof cab body shell r.
3—2	WG1644171001	1			High roof r.

※ r.—drive right

C12-3

DASHBOARD/驾驶室仪表台

Fig. C12-3



C12-3

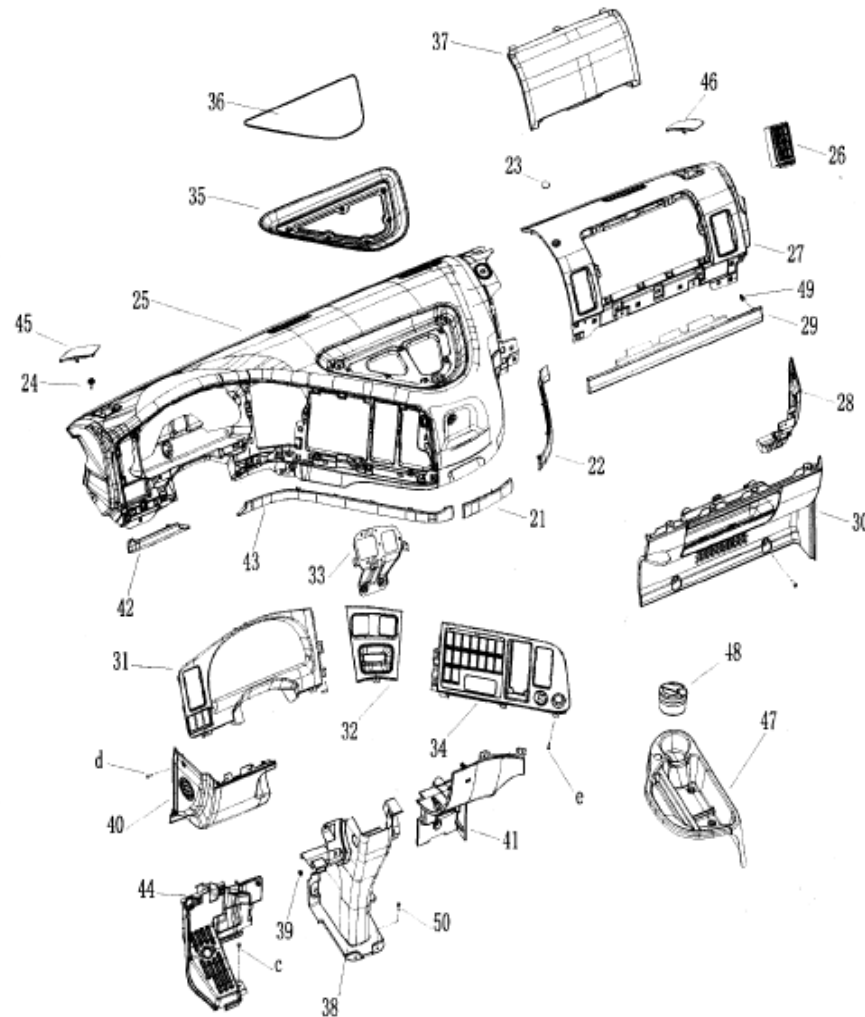
DASHBOARD/驾驶室仪表台

No	Number of part	Quantity	Description	Applicability	Designation
1	AZ1642160010	1			Front seal profile
2	AZ1642160011	1			Left air pipe
3	AZ1642160014	1			Right air pipe
4	AZ1642160017	1			Bottom left air pipe
5	AZ1642160021	1			Bracket
6	AZ1642160023	1			Bottom right air pipe
7	AZ1642160025	1			Air pipe front
8	AZ1642160031	1			Air pipe left
9	AZ1642160037	1			Air pipe right
10	AZ1642160042	1			Middle rear air pipe
11	WG1642160047	1			Front grip left
12	WG1642160050	1			Front grip right
13	WG1642160052	2			Rear grip
14	AZ1642160060	1			Support left
15	AZ1642160062	1			Support right
16	AZ1642160064	1			Crossbar
17	AZ1642160109	1			Bracket
18	AZ1642160251	1			Bracket
19	AZ1642160181	4			Bracket
20	AZ1642160146	2			Bearing
20a	Q1460825	22			Combination screw
20b	Q1460620	28			Combination screw
21	AZ1642160124	1			Cover
22	AZ1642160138	1			Garnish profile
23	AZ1642930010	7			Cover

C12-3

DASHBOARD/驾驶室仪表台

Fig. C12-4



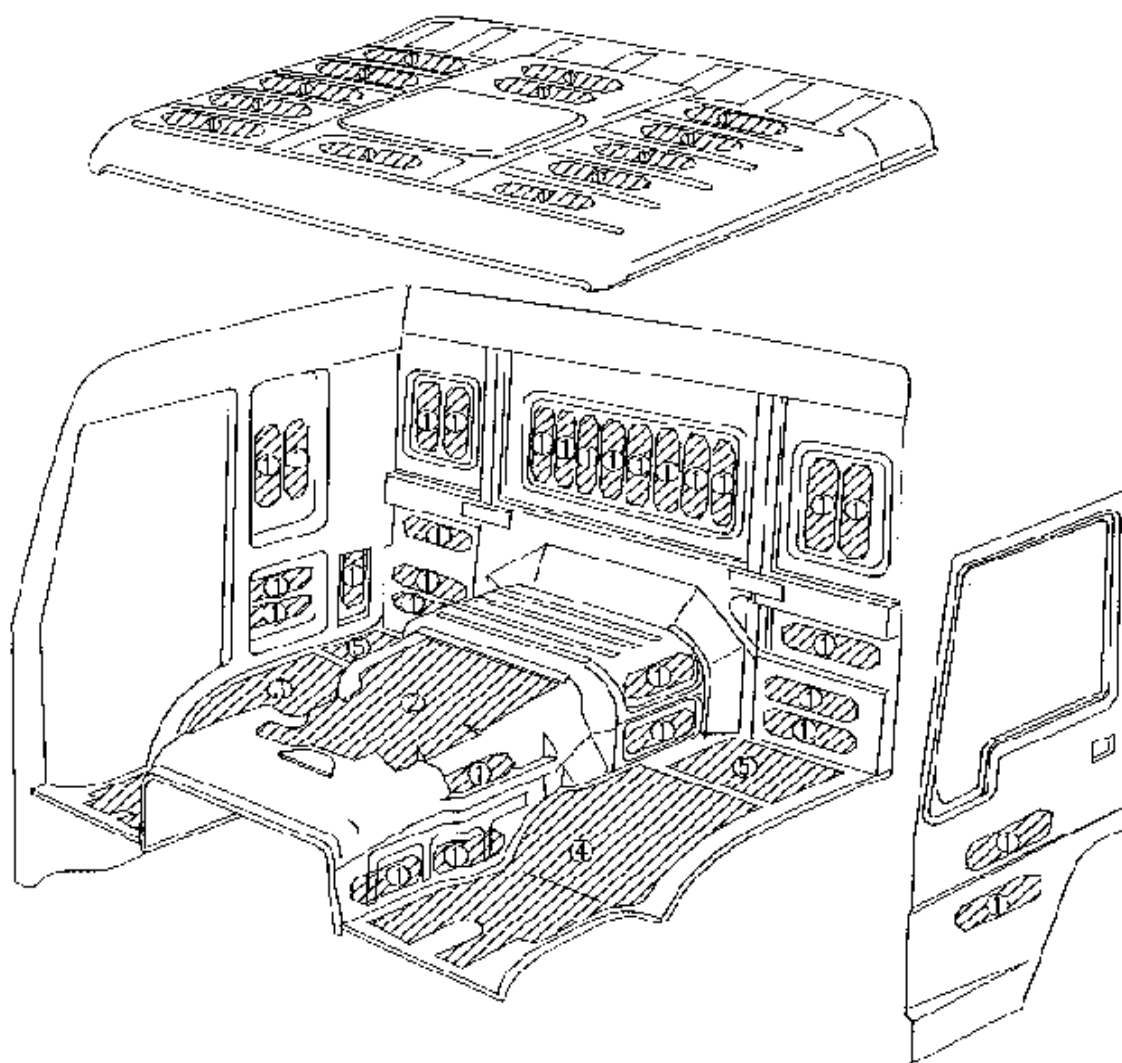
C12-3

DASHBOARD/驾驶室仪表台

No	Number of part	Quantity	Description	Applicability	Designation
24	AZ1642930011	2			Combination screw
25	WG1642160120	1			Switch panel left
26	AZ1642160150	4			Air nozzle
27	WG1642160170	1			Switch panel right
28	WG1642160172	1			Side cover
29	AZ1642160175	1			Profile
30	WG1642160177	1			Protection plate
31	WG1642160183	1			Cover
32	WG1642160186	1			Cover
33	AZ1642160188	1			Bracket
34	WG1642160190	1			Switch panel
35	WG1642160213	1			Cover
36	AZ1642160214	1			Facing
37	WG1642160215	1			Cover
38	AZ1642160217	1			Protection cover
39	WG1642930009	2			Nut
40	WG1642160218	1			Protection cover left
41	WG1642160230	1			Protection cover right
42	AZ1642160232	1			Garnish profile left
43	AZ1642160234	1			Garnish profile right
44	WG1642160236	1			Step
45	WG1642160238	1			Cover left
46	WG1642160239	1			Cover right
47	WG1642160242	1			Box
48	AZ1642160243	1			Ashtray
49	AZ1642160137	1			Latch
50	AZ1642930620	22			Combination screw
51	Q2140820	1			Screw
52	Q2140516	2			Screw
53	Q2714816	35			Screw

C12-4 SOUND PROOF FOR LONG, HIGH-ROOF CAB/中长, 高顶驾驶室隔音材料

Fig. C12-5



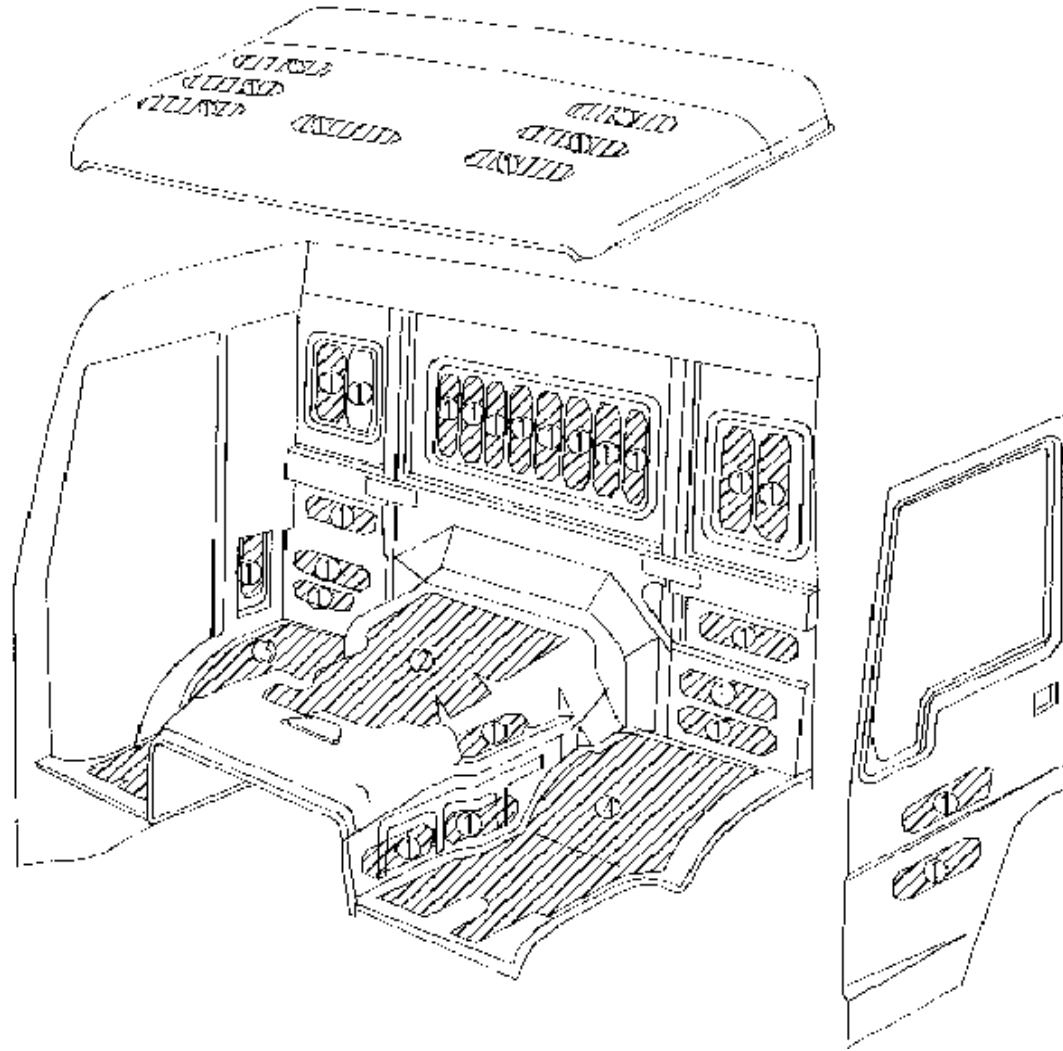
C12-4 SOUND PROOF FOR LONG, HIGH-ROOF CAB/中长, 高顶驾驶室隔音材料

No	Number of part	Quantity	Description	Applicability	Designation
1	WG1642910006				Insulating slab
2	WG1642910001	1			Insulating slab
3	WG1642910002	1			Insulating slab
3	WG1646910001	1		For drive right	Insulating slab
4	WG1642910007	1			Insulating slab
4	WG1646910002	1		For drive right	Insulating slab
5	WG1642910003	2			Insulating slab

C12-5

SOUNDPROOF FOR STANDARD CAB/标准驾驶室隔音材料

Fig.C12-6

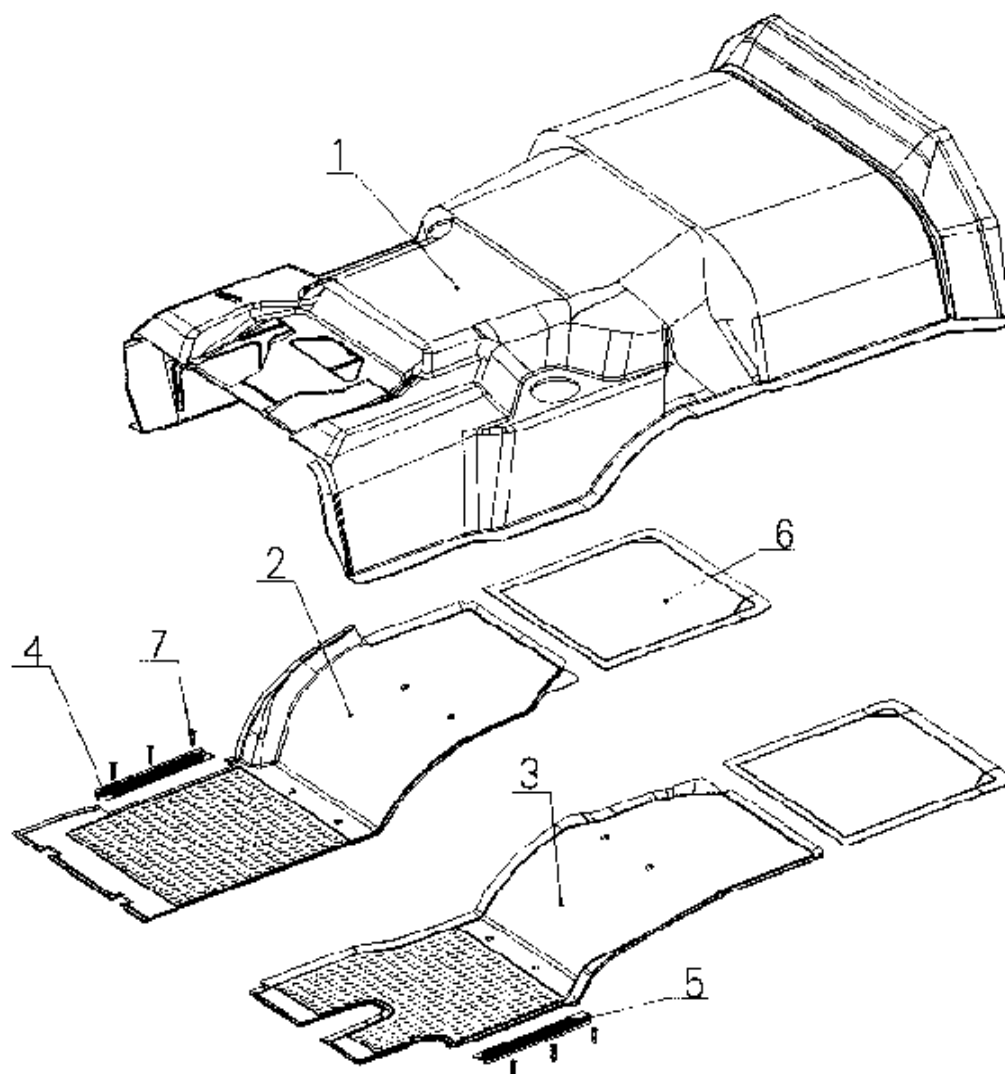


C12-5

SOUNDPROOF FOR STANDARD CAB/标准驾驶室隔音材料

No	Number of part	Quantity	Description	Applicability	Designation
1	WG1642910006				Insulating slab
2	WG1642910001	1			Insulating slab
3	WG1642910002	1			Insulating slab
3	WG1646910001	1		For drive right	Insulating slab
4	WG1642910007	1			Insulating slab
4	WG1646910002	1		For drive right	Insulating slab

C12-6 ENGINE HOOD, FLOOR LINING FOR LONG, HIGH-ROOF CAB/中长, 高顶驾驶室发动机罩、地板 Fig.C12-7

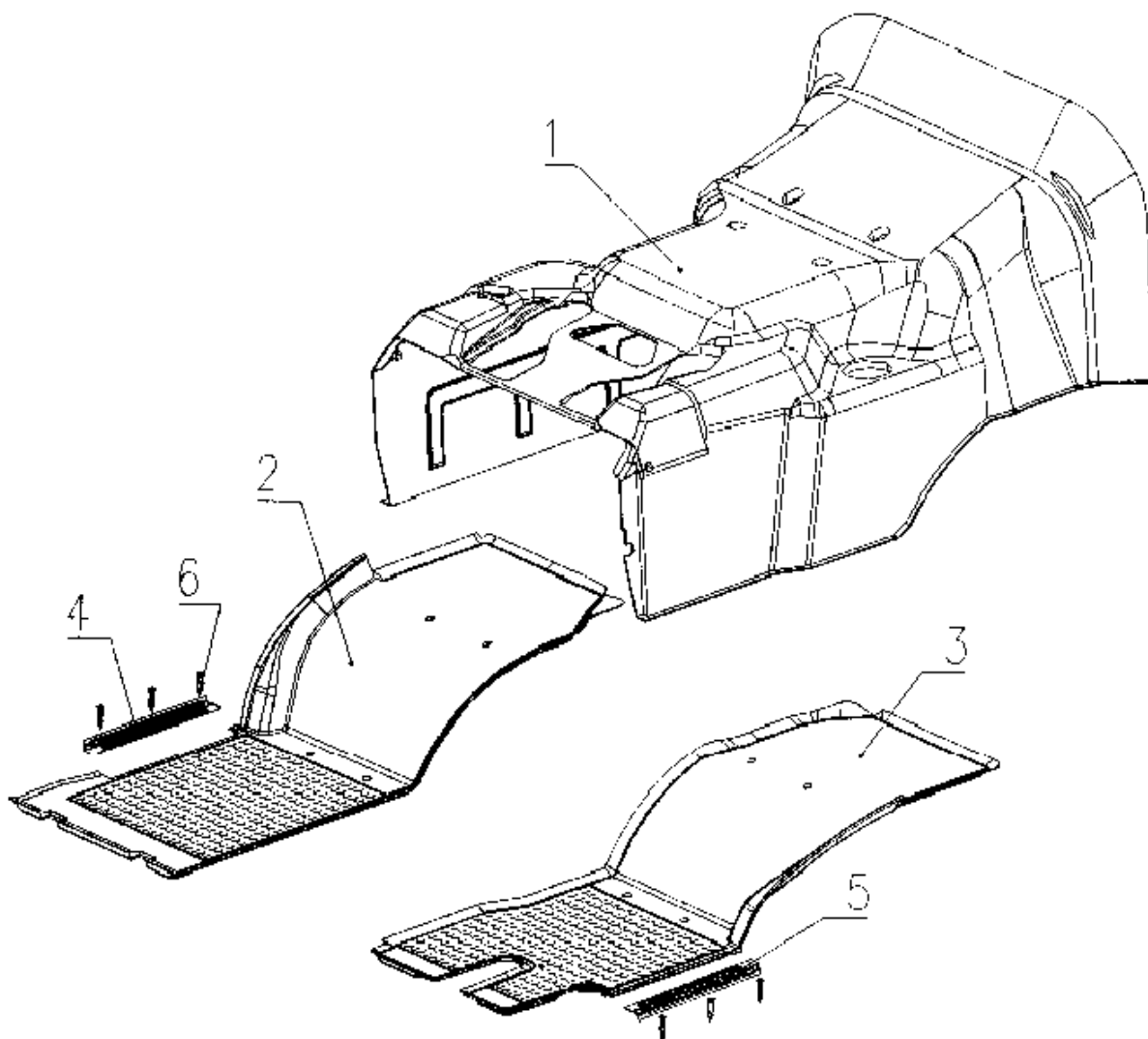


C12-6 ENGINE HOOD, FLOOR LINING FOR LONG, HIGH-ROOF CAB/中长, 高顶驾驶室发动机罩、地板

No	Number of part	Quantity	Description	Applicability	Designation ※
1	AZ1642620005	1			Carpet to engine hood
2	AZ1642620002	1			Front lining r.
2a	WG1642620010				Thermal insulation plate r.
2	WG1646620002	1		For drive right	Front lining r.
2a	WG1646620004	1		For drive right	Thermal insulation plate r.
3	AZ1642620001	1			Front lining l.
3a	WG1642620008				Thermal insulation plate l.
3	WG1646620001	1		For drive right	Front lining l.
3a	WG1646620003	1		For drive right	Thermal insulation plate l.
4	WG1642620007	1			Step plate r.
5	WG1642620006	1			Step plate l.
6	AZ1642620003	2			Rear lining
7	Q2714219	6			Screw

※ r.—right l.—left

C12-7 ENGINE HOOD, FLOOR LINING FOR STANDARD CAB/标准驾驶室发动机罩、地板 Fig. C12-8



C12-7 ENGINE HOOD, FLOOR LINING FOR STANDARD CAB/标准驾驶室发动机罩、地板

No	Number of part	Quantity	Description	Applicability	Designation ※
1	AZ1642620005	1			Carpet to engine hood
1	ZW1641626003	1		For drive right	Carpet to engine hood
2	AZ1642620002	1			Lining r.
2a	WG1642670010	1			Thermal insulation plate r.
2	ZW1641626002	1		For drive right	Lining r.
2a	WG1646620004	1		For drive right	Thermal insulation plate r.
3	AZ1642620001	1			Lining l.
3a	WG1642620008	1			Thermal insulation plate l.
3	ZW1641626001	1		For drive right	Lining l.
3a	WG1646620003	1		For drive right	Thermal insulation plate l.
4	WG1642620007	1			Setp plate r.
5	WG1642620006	1			Setp plate l.
6	Q2714219	6			Screw

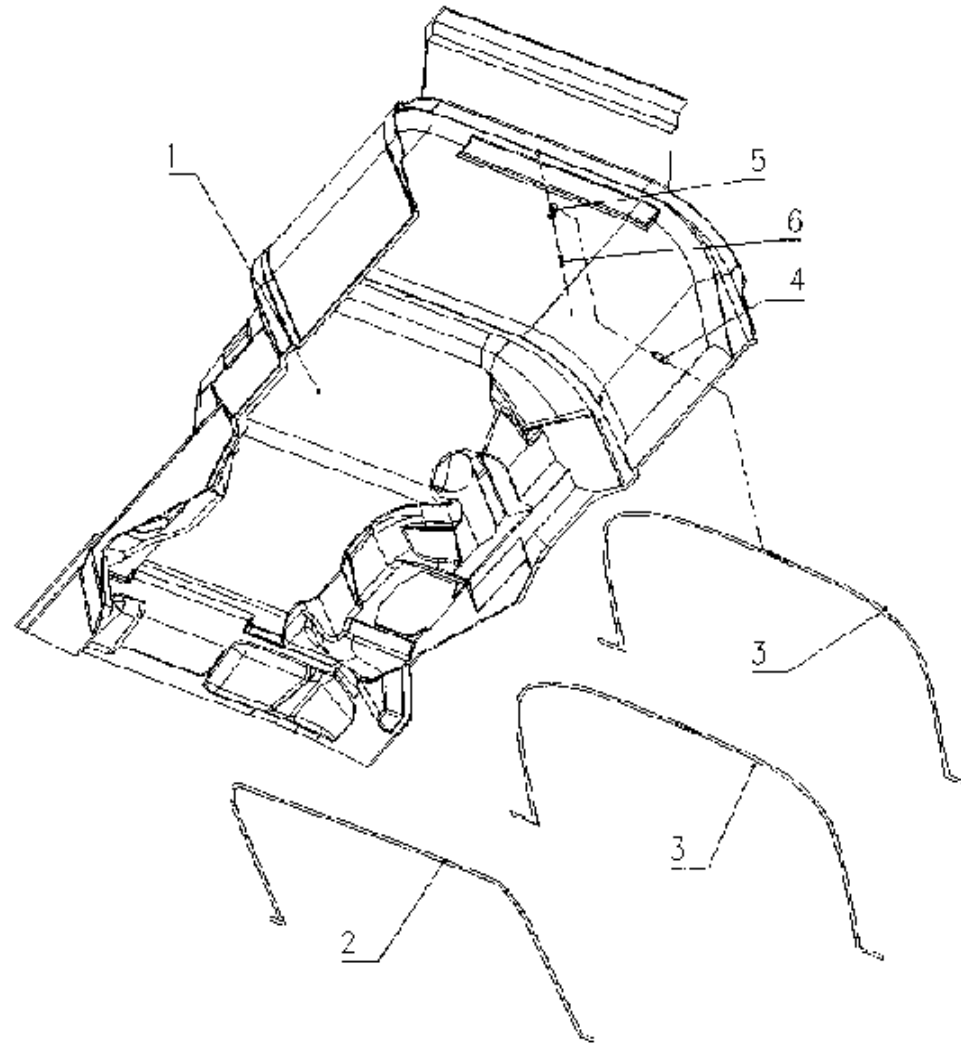
※ r.—right l.—left



C12-8

SOUNDPROOF ON BOTTOM OF CAB/驾驶室底部隔音材料

Fig.C12-9



C12-8

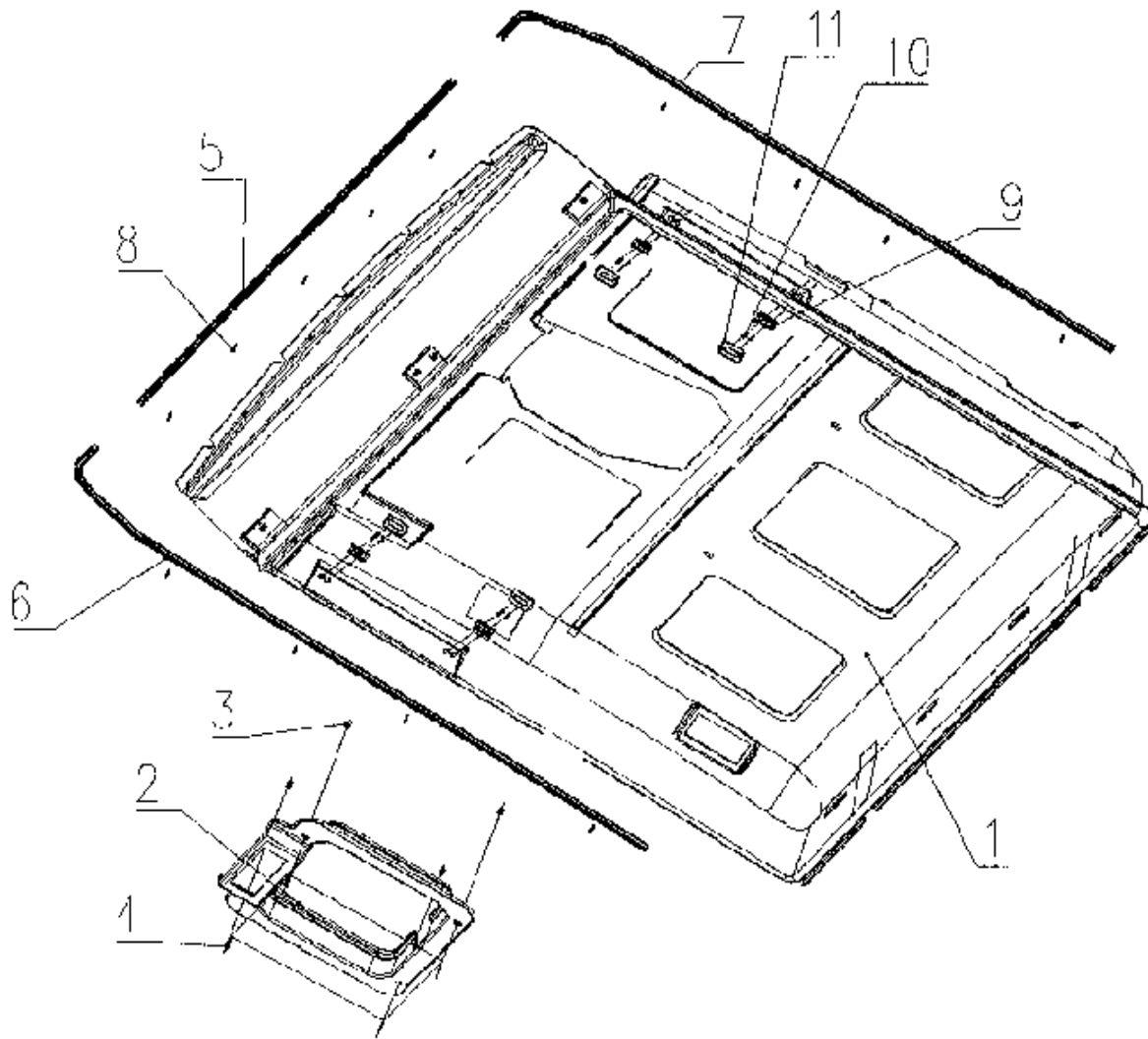
SOUNDPROOF ON BOTTOM OF CAB/驾驶室底部隔音材料

No	Number of part	Quantity	Description	Applicability	Designation
1	WG1642690001	1		For long,high-roof cab	Insulating slab
1	WG1642690002	1		For standard cab	Insulating slab
2	WG1642690003	1			Front support
3	WG1642610005	2			Rear support
4	WG1642690006	1			Rubber block
5	Q68610	1			Clamp
6	Q2714819	1			Screw

C12-9

INTERNAL LINING ON ROOF/顶盖内饰件

Fig. C12-10



C12-9

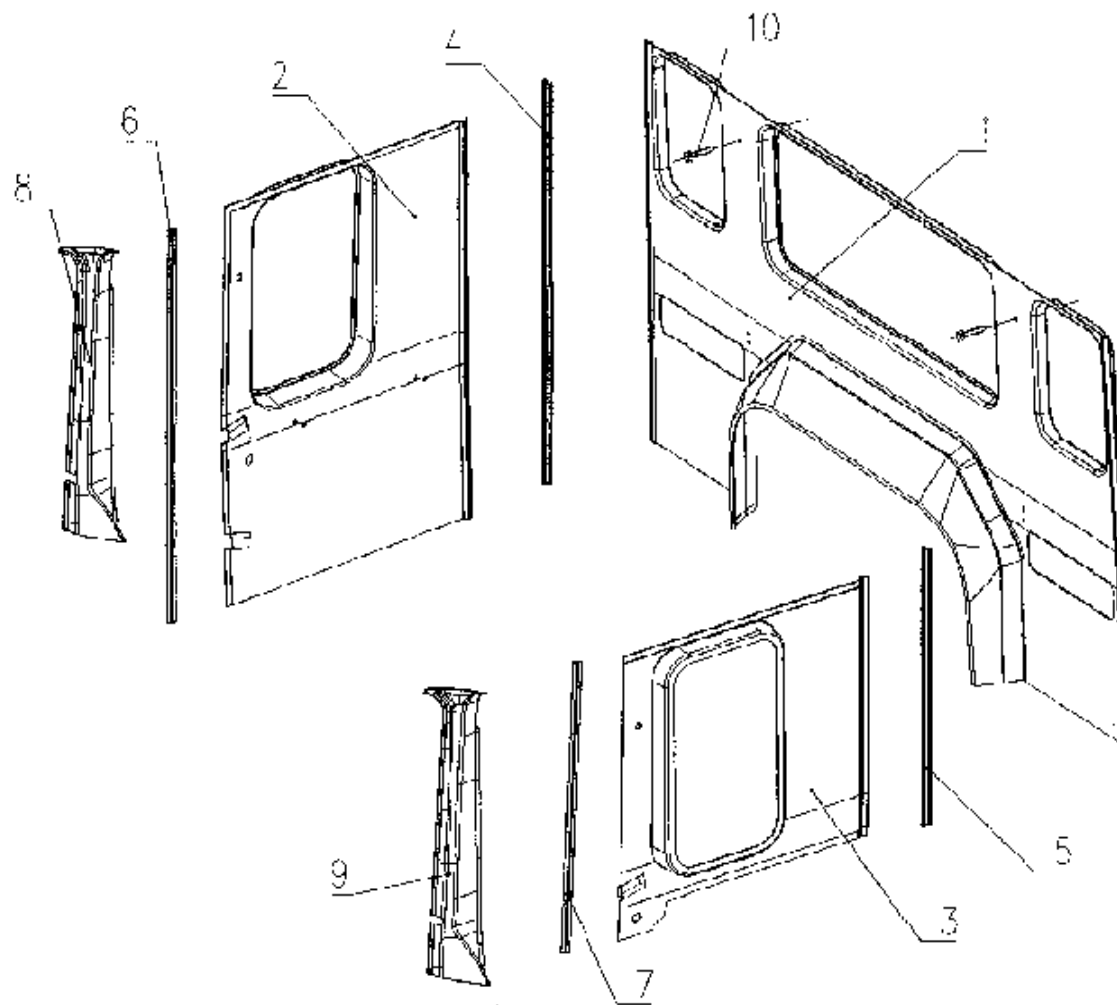
INTERNAL LINING ON ROOF/顶盖内饰件

No	Number of part	Quantity	Description	Applicability	Designation
1	WG1642610001	1		For long cab	Roof plate
1	WG1641610001			For standard cab	Roof plate
1	WG1644610005			For high-roof cab	Roof plate
2	WG1642610018	1		For long,standard cab	Protecting frame
3	AZ1642610014	4		For long,standard cab	Nut-plate
4	Q2713519	4		For long,standard cab	Screw
5	WG1642610032	1			Front guide for window cloth
6	WG1642610003	1		For long,hight-roof cab	Right guide for window cloth
6	WG1641610003	1		For standard cab	Right guide for window cloth
7	WG1642610004	1		For long,hight-roof cab	Left guide for window cloth
7	WG1641610004	1		For standard cab	Left guide for window cloth
8	Q2713519	13			Screw
9	WG1642610016	4		For long,standard cab	Bearing
10	Q2714219	8		For long,standard cab	Screw
11	WG1642610017	4		For long,standard cab	Cover
12	AZ1642610015	2			Window cloth
13	AZ1644610008	1		For high-roof cab	Guide
14	WG1642610034	1		For high-roof cab	Stop block for guide
15	AZ1644610009	1		For high-roof cab	Window cloth
16	WG1644610007	2		For high-roof cab	Bearing for read-lamp
17	WG1644610002	1		For high-roof cab	Front internal lining for high-roof
18	WG1644610003	1		For high-roof cab	Left internal lining for high-roof
19	WG1644610001	1		For high-roof cab	Right internal lining for high-roof
20	WG1644610006	1		For high-roof cab	Rear internal lining for high-roof
21	WG1642610021	1		For high-roof cab	Air nozzle
22	116000770023	2			Hook for clothing

C12-10

INTERNAL LINING ON WALL/周围内饰件

Fig. C12-11



C12-10

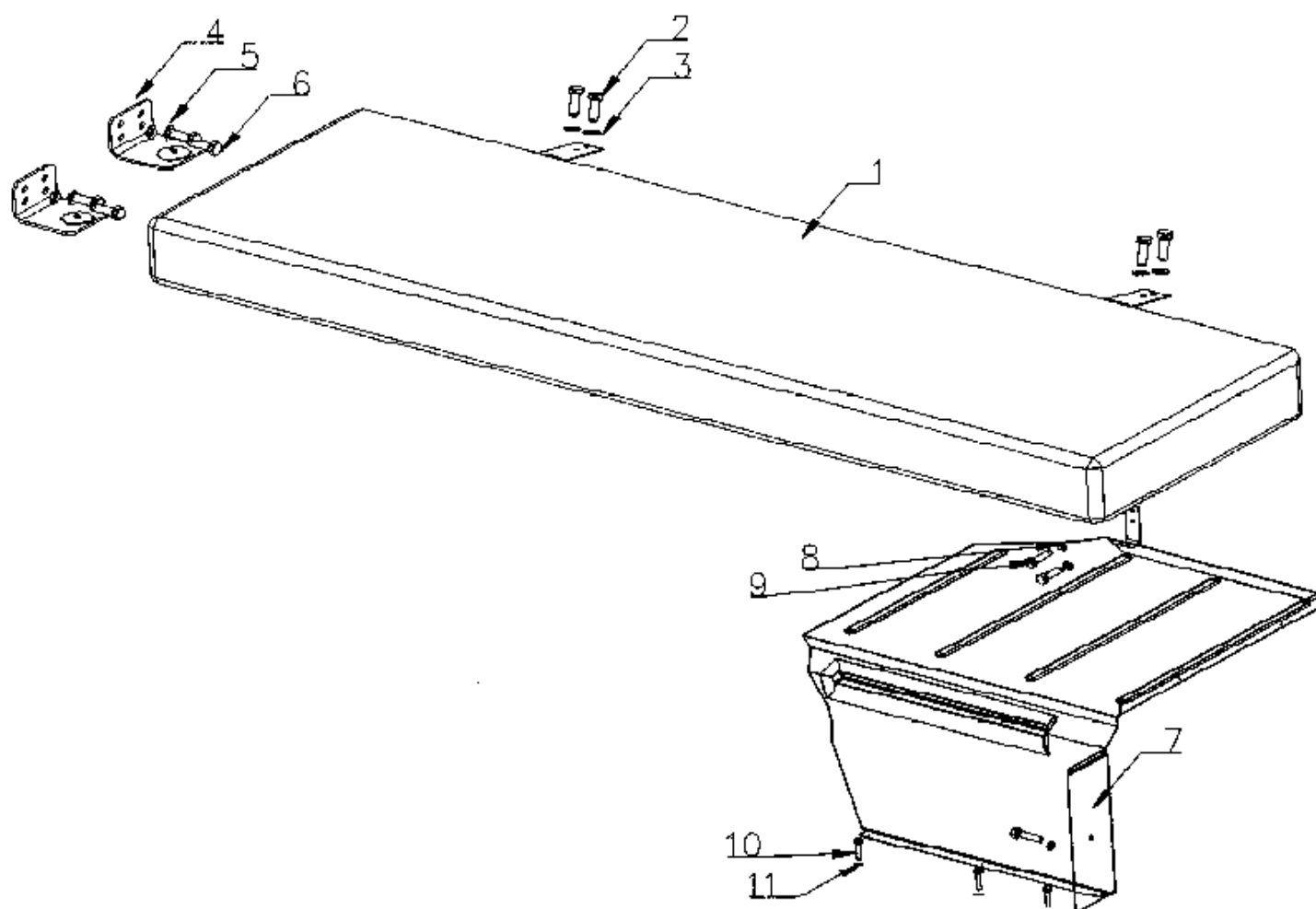
INTERNAL LINING ON WALL/周围内饰件

No	Number of part	Quantity	Description	Applicability	Designation
1	WG1642610006	1		For long,standard cab	Rear panelling
1	WG1644610011	1		For high-roof cab	Rear panelling
2	WG1642610009	1		For long,high-roof cab	Right panelling
2	WG1641610005	1		For standard cab	Right panelling
3	WG1642610007	1		For long,high-roof cab	Left panelling
3	WG1641610006	1		For standard cab	Left panelling
4	WG1642610010	1		For long,high-roof cab	Strip right
4	WG1642610010	2		For standard cab	Strip right
5	WG1642610008	1		For long,high-roof cab	Strip left
6	WG1642610029	1		For long,high-roof cab	Door strip right
6	WG1642610029	2		For standard cab	Door strip right
7	WG1642610028	1			Door strip left
8	WG1642610012	1			Panelling for A pole right
9	WG1642610011	1			Panelling for A pole left
10	190003172951	2			Plastic rivet
11	WG1642610019	1			Strap
12	WG1642610013	2			Seal strip for door

C12-11

SLEEPER FOR LONG CAB/中长驾驶室卧铺

Fig. C12-12



C12-11

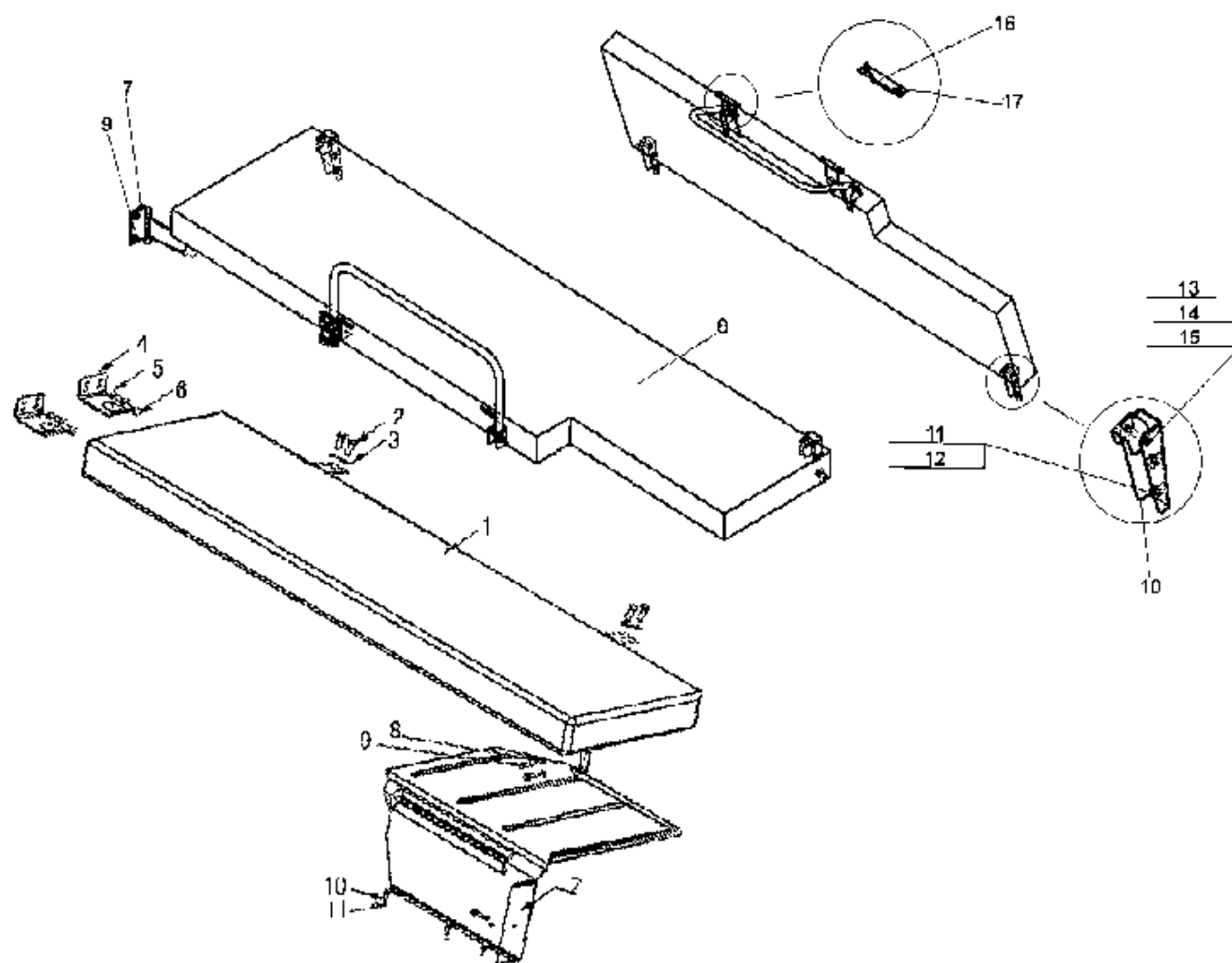
SLEEPER FOR LONG CAB/中长驾驶室卧铺

No	Number of part	Quantity	Description	Applicability	Designation
1	AZ1643570001	1			Sleeper
2	Q150B0825	4			Screw
3	Q40008	4			Washer
4	WG1643570008	2			Support right
5	Q150B0825	4			Screw
6	Q40008	4			Washer
7	WG1643570010	1			Support
8	Q150B0625	3			Screw
9	Q40006	3			Washer
10	Q150B0420	3			Screw
11	Q40004	3			Washer

C12-12

SLEEPER FOR HIGH-ROOF CAB/高顶驾驶室卧铺

Fig. C12-13



C12-12

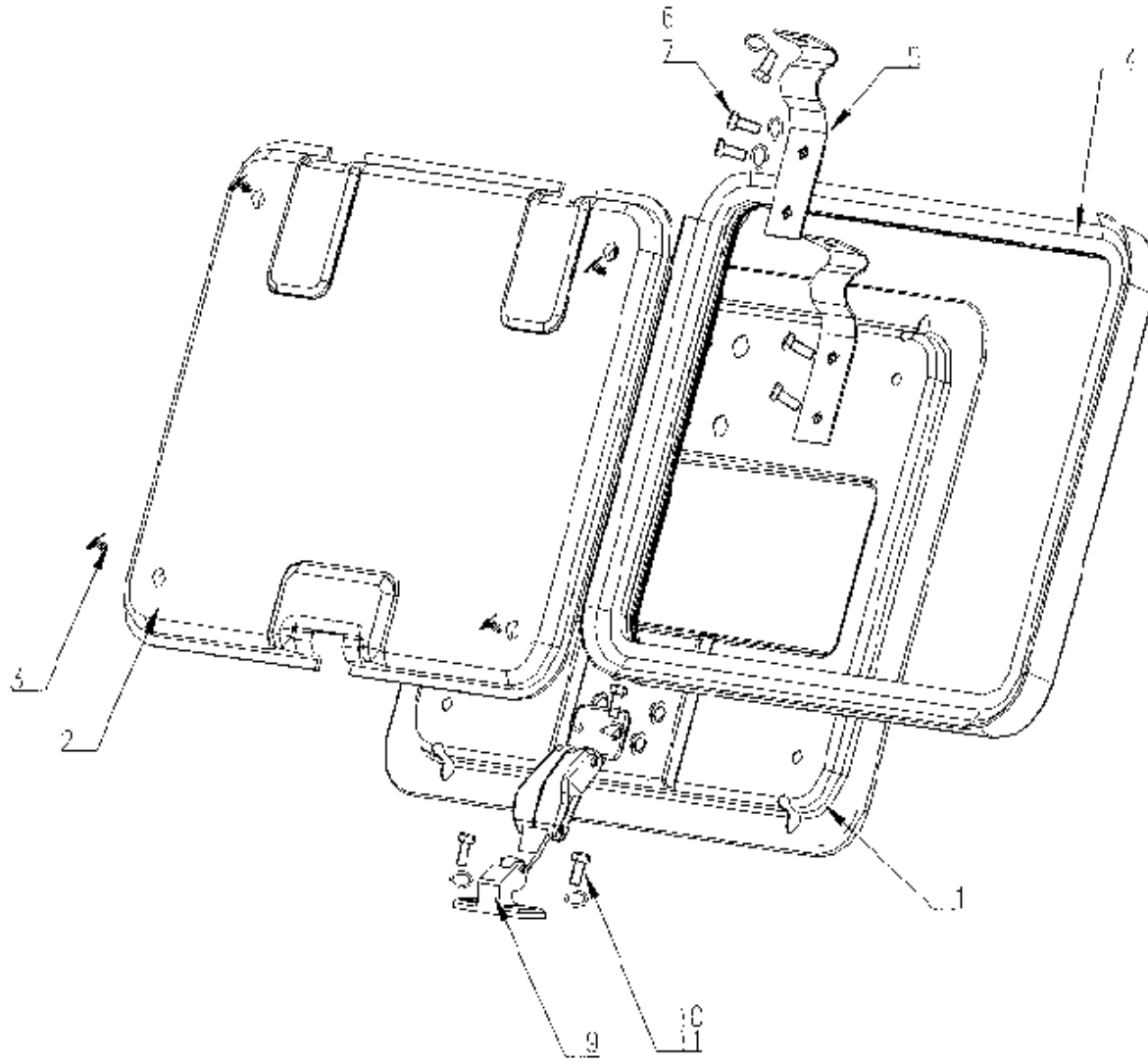
SLEEPER FOR HIGH-ROOF CAB/高顶驾驶室卧铺

No	Number of part	Quantity	Description	Applicability	Designation
1	AZ1643570001	1			Sleeper
2	Q150B0825	4			Screw
3	Q40008	4			Washer
4	WG1643570008	2			Support right
5	Q150B0825	4			Screw
6	Q40008	4			Washer
7	WG1643570010	1			Support
8	Q150B0625	3			Screw
9	Q40006	3			Washer
10	Q150B0420	3			Screw
11	Q40004	3			Washer
12	AZ1644570001	1			Upper sleeper
13	AZ1644570192	2			Fixed plate
13a	Q150B0820	8			Screw
13b	Q40108	8			Washer
13c	Q40308	8			Spring washer
14	AZ1672570020	2			Rear hinge
15	Q150B0825	4			Screw
16	Q40008	4			Washer
17	Q5100850	2			Bolt
18	Q5003220	2			Split pin

C12-13

ROOF FLAP/车顶窗

Fig. C12-14



C12-13

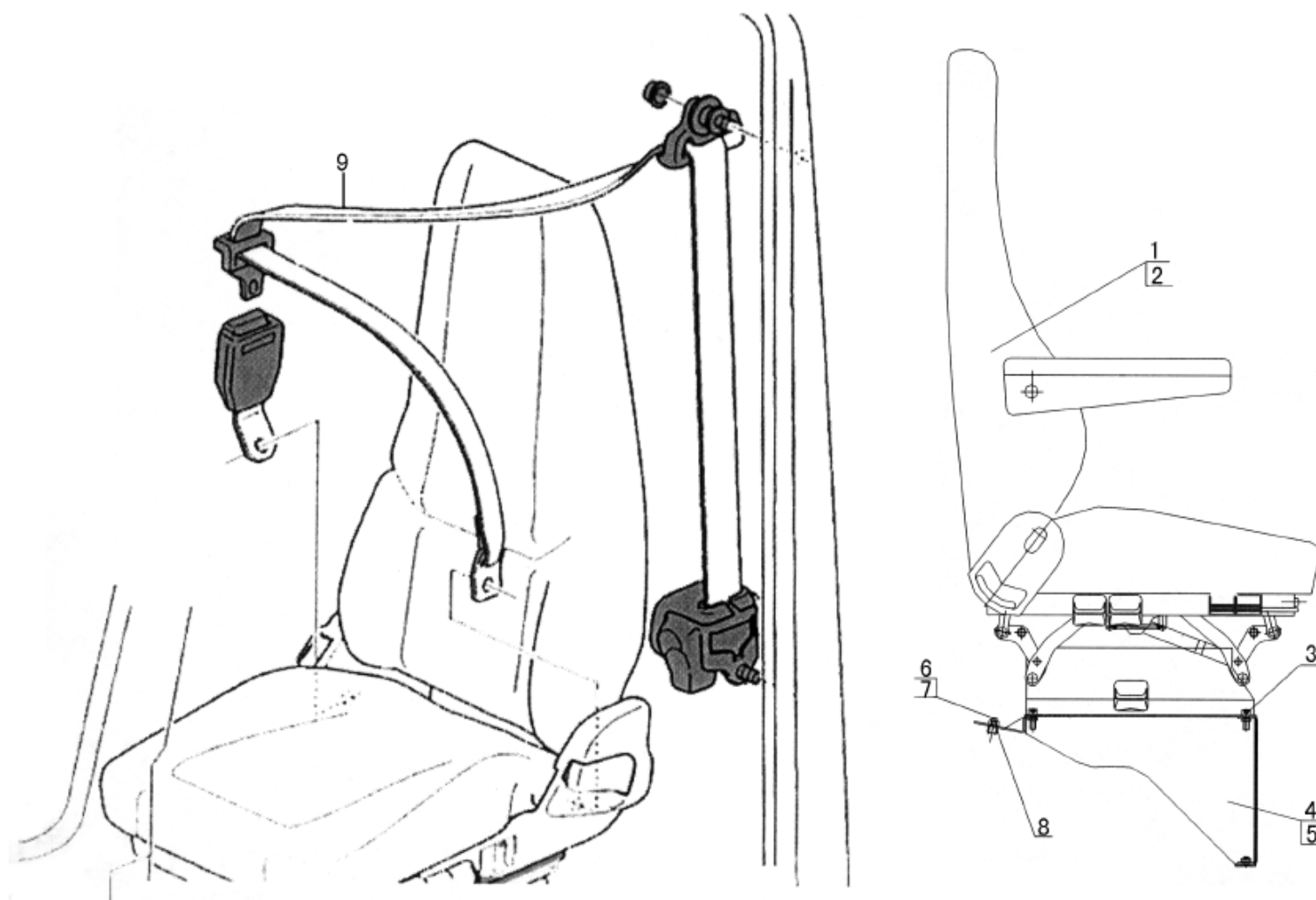
ROOF FLAP/车顶窗

No	Number of part	Quantity	Description	Applicability	Designation
1	WG1642770006	1			Roof flap
2	WG1642770008	1			Internal lining
3	WG1642770005	4			Rivet
4	WG1642770009	1			Seal profile
5	WG1642770011	2			Hinge
6	Q2140620	6			Scrow
7	Q40206	6			Washer
8	WG1642930021	2			Washer
9	WG1642770007	1			Switch
10	Q2140620	4			Screw
11	Q40206	4			Washer

C12-14

SEATS, SAFETY BELT/座椅, 安全带

Fig. C12-15

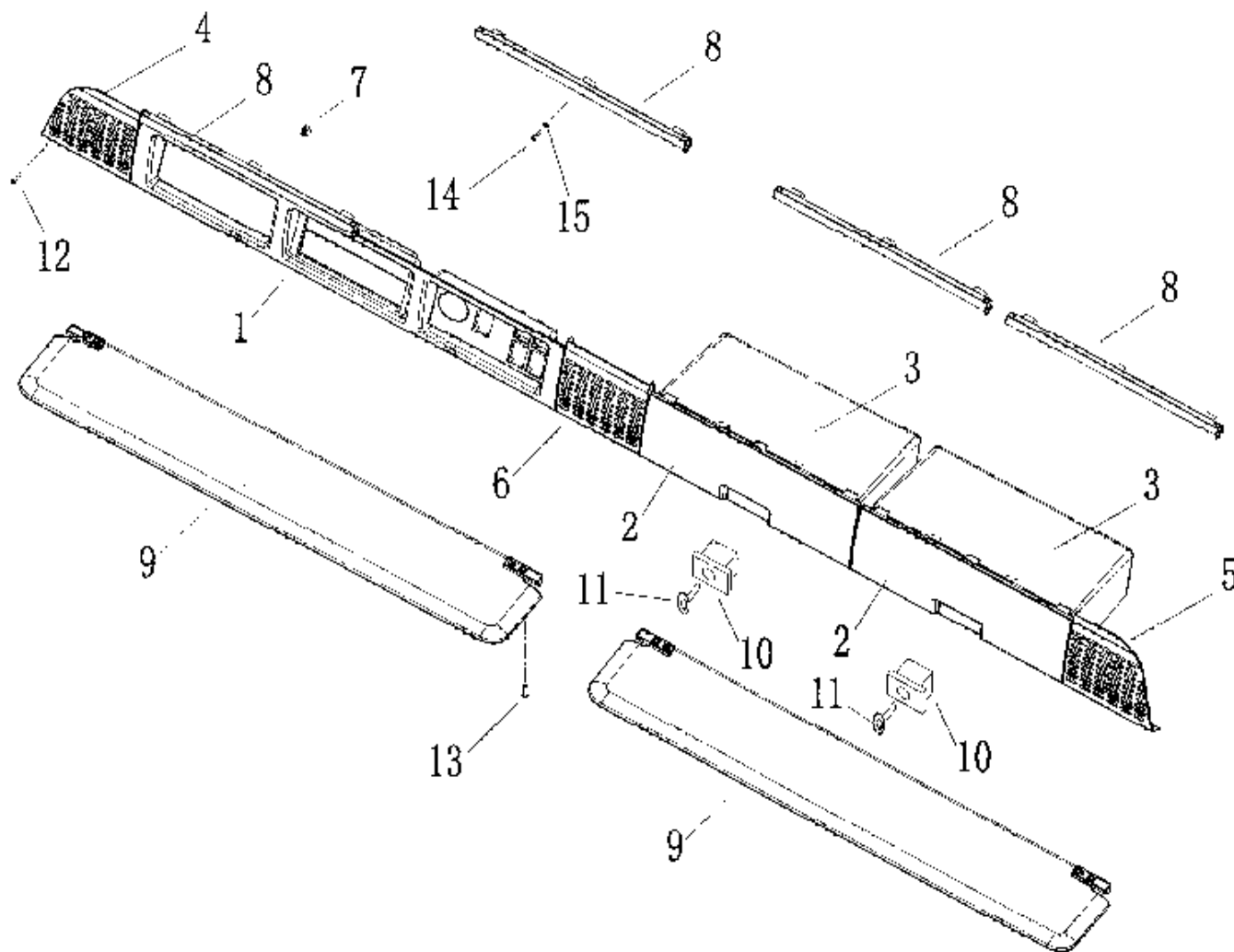


C12-14

SEATS, SAFETY BELT/座椅, 安全带

No	Number of part	Quantity	Description	Applicability	Designation
1	AZ1642510001	1			Right seat
1	AZ1646510021			For drive right	Right seat
2	AZ1642510002	1			Left seat
2	AZ1646510022			For drive right	Left seat
3	190003862130	8			Screw
4	AZ1642510005	1			Support right
5	AZ1642510003	1			Support left
6	Q341B10	8			Nut
7	Q40010	8			Washer
8	AZ1642930020	8			Washer
9	WG1641560010	2		For standard cab	Safety belt
9	WG1642560010	2		For long,high-roof cab	Safety belt

C12-15 SUN VISOR, SHELF FOR STANDARD、LONG CAB/标准、加长驾驶室遮阳板，上杂品箱 Fig.C12-16



C12-15 SUN VISOR, SHELF FOR STANDARD、LONG CAB/标准、加长驾驶室遮阳板，上杂品箱

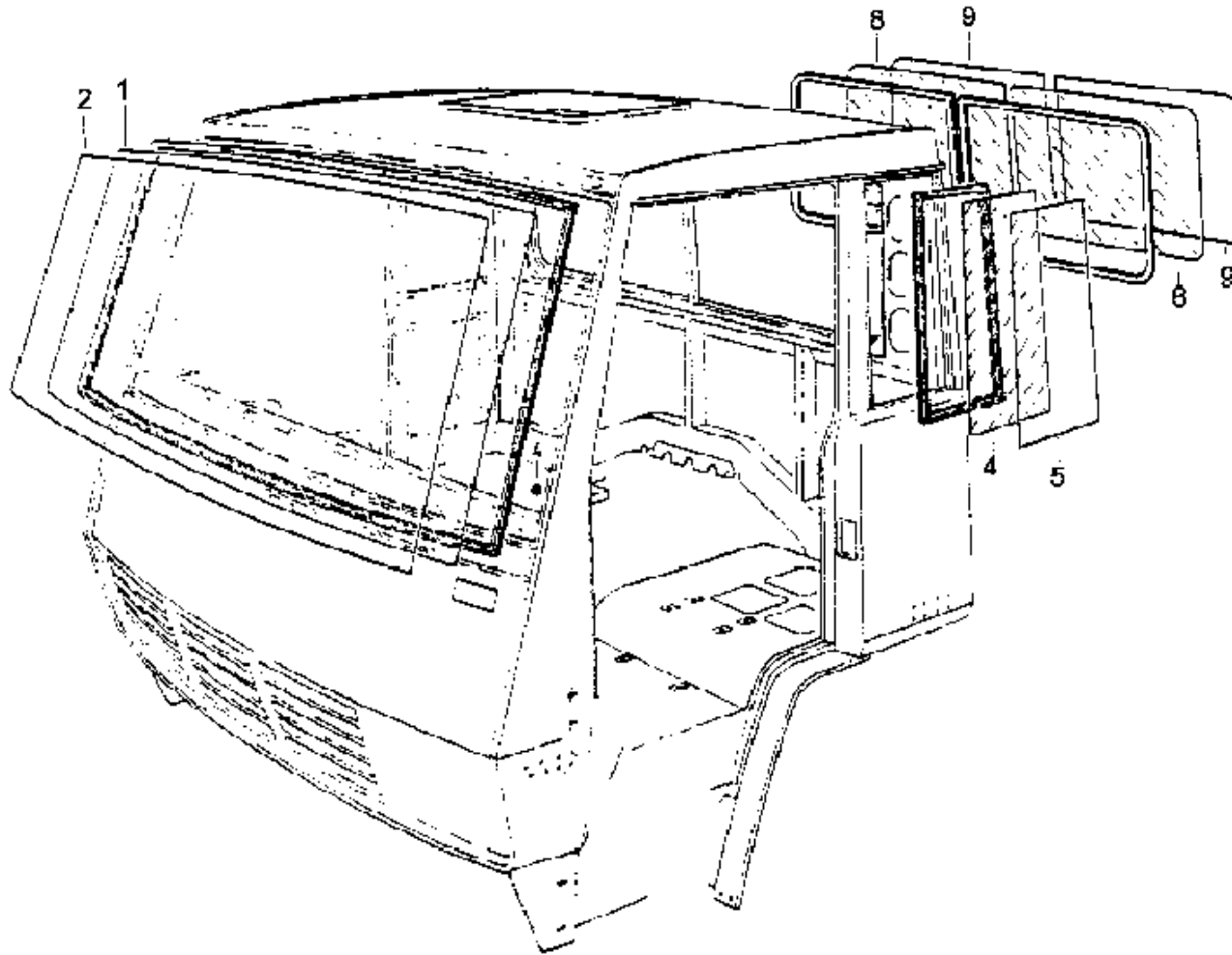
No	Number of part	Quantity	Description	Applicability	Designation
1	WG1642770012	1			Protection lining
2	WG1642770013	2			Cover
3	WG1642770014	2			Housing
4	WG1642770015	1			Cover for horn left
5	WG1642770016	1			Cover for horn right
6	WG1642770017	1			Cover for horn middle
7	AZ1642770017	14			Sleeve
8	WG1642770018	4			Hinge
9	WG1642770010	2		For standard,long cab	Sun visor
10	I15200160094	2			Lock
11	I15200160098	2			Key
12	Q2713516	14			Screw
13	Q2140520	8			Screw
14	Q2714216	12			Screw
15	Q40004	12			Washer
16	WG1644770146	2		For high-roof cab	Sun visor



C12-16

WINDOW GLASS/车窗玻璃

Fig. C12-17



C12-16

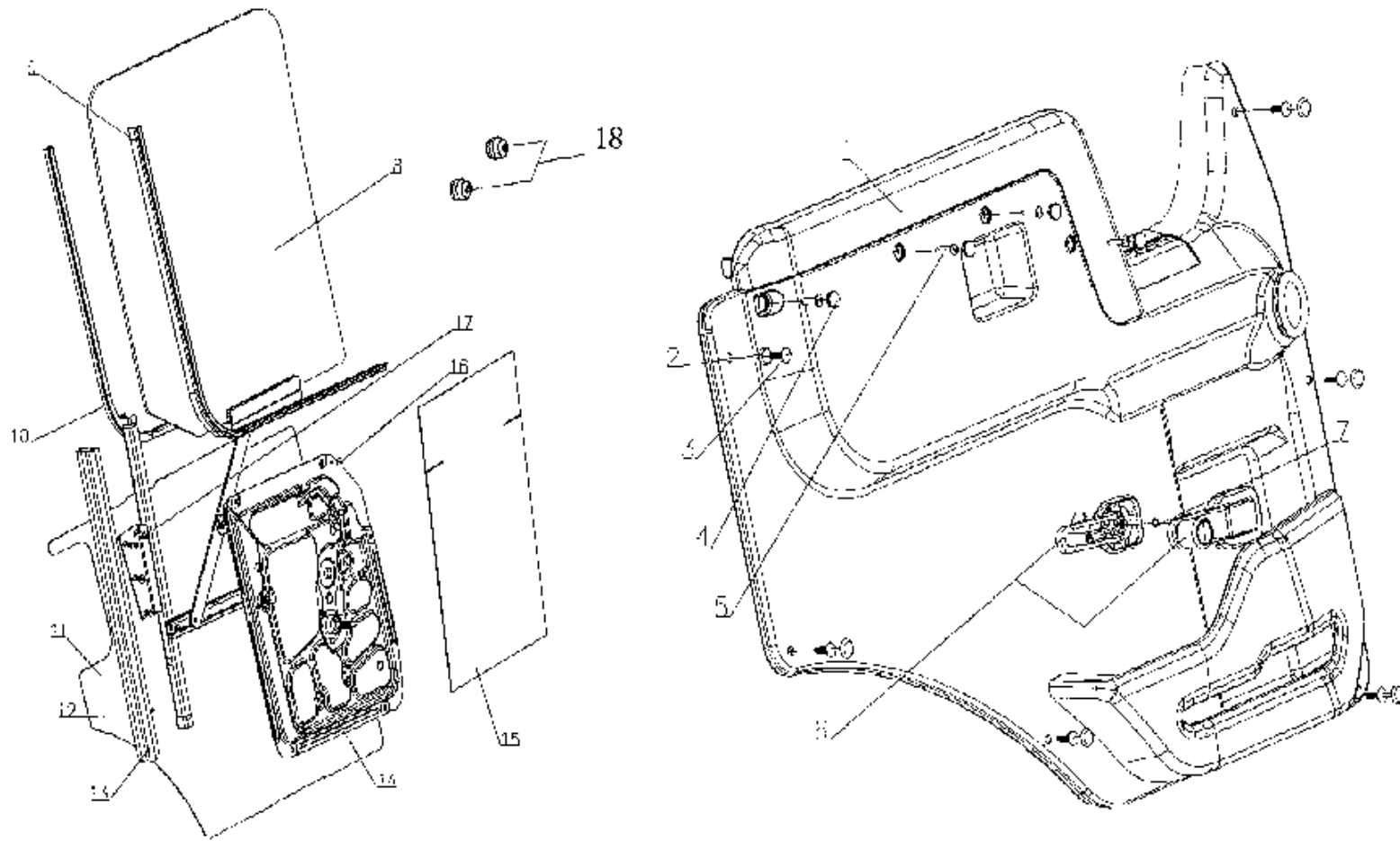
WINDOW GLASS/车窗玻璃

No	Number of part	Quantity	Description	Applicability	Designation
1	WG1642710001	1			HOWO windshield
2	WG1642710002	1			Sealing frame for windshield
4	WG1642710003	2		For long,high-roof cab	Side window glass
5	WG1642710004	2		For long,high-roof cab	Sealing frame for side window glass
8	WG1642710005	2			Rear window glass
9	WG1642710006	2			Sealing frame for rear window glass

C12-17

DOOR, GLASS AND FITTINGS/车门, 玻璃及附件

Fig. C12-18



C12-17

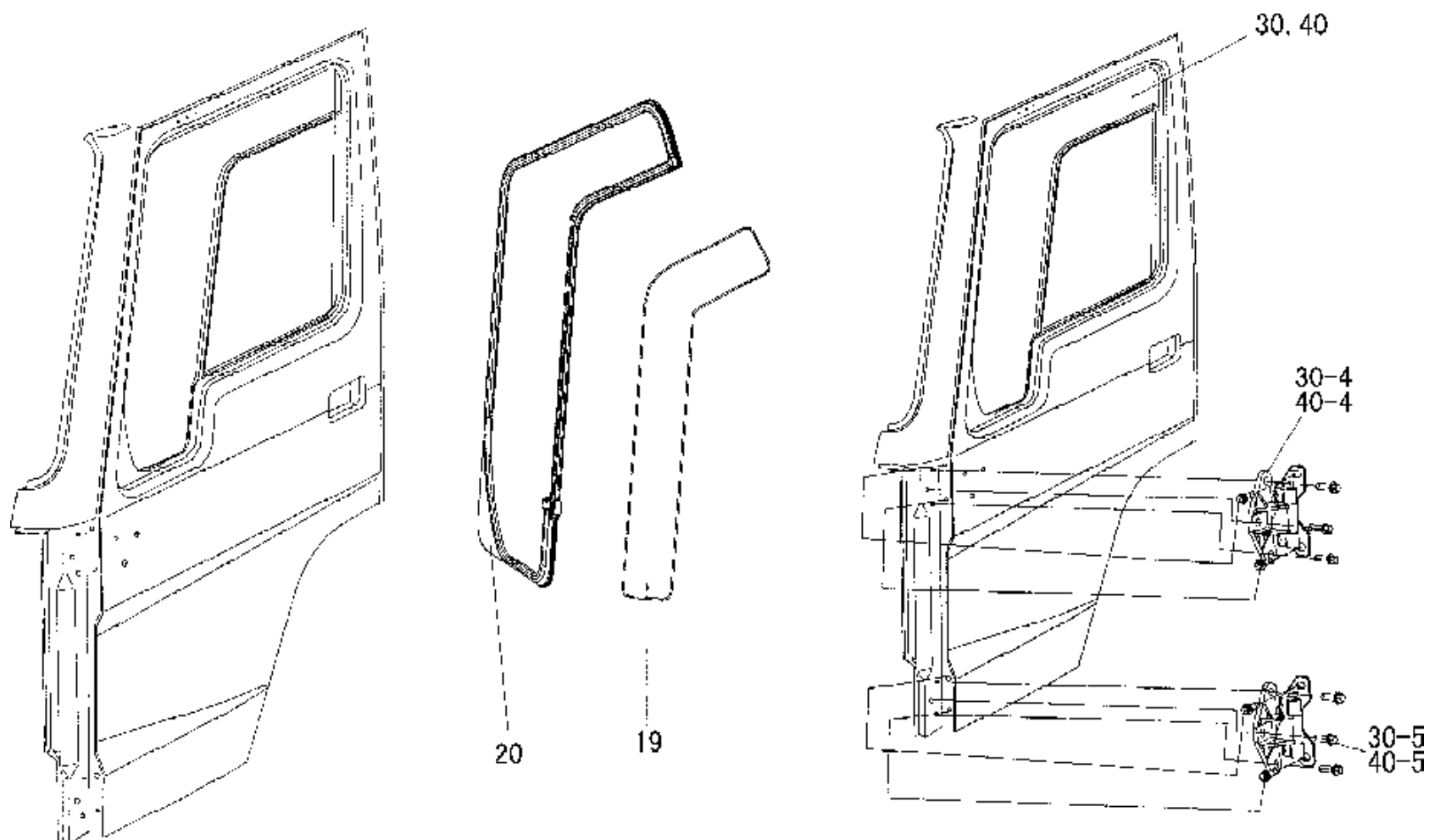
DOOR, GLASS AND FITTINGS/车门, 玻璃及附件

No	Number of part	Quantity	Description	Applicability	Designation
1	WG1642330020	1			Internal lining for left door
1a	WG1642330040	1			Internal lining for right door
2	AZ1642930005	14			Plastic rivet
3	AZ1642930006	14			Plastic rivet
4	AZ1642930007	8			Cover
5	Q2140620	8			Screw
6	WG1642330001	2			Grip
7	Q43107	2			Snap ring
8	AZ1642330060	1			Door glass left
8a	AZ1642330061	1			Door glass right
9	WG1642330011	2			Inter sealing profile
10	WG1642330013	2			Outer sealing profile
11	AZ1642330019	2			Protection of door
12	WG1642330009	1			Glass guide left
12a	WG1642330010	1			Glass guide right
13	WG1642330015	2			Sealing profile
14	WG1642330003	1			Window lifter left
14a	WG1642330004	1			Window lifter right
15	AZ1642330051	2			Plasticon
16	Q2140612	10			Screw
17	Q2140610	6			Screw
18	AZ1642930030	2			Rubber plug
19	WG1642350003	1			Ventilation glass left
19a	WG1642350004	1			Ventilation glass right
20	WG1642350001	1			Sealing profile left

C12-17

DOOR, GLASS AND FITTINGS/车门, 玻璃及附件

Fig. C12-19



C12-17

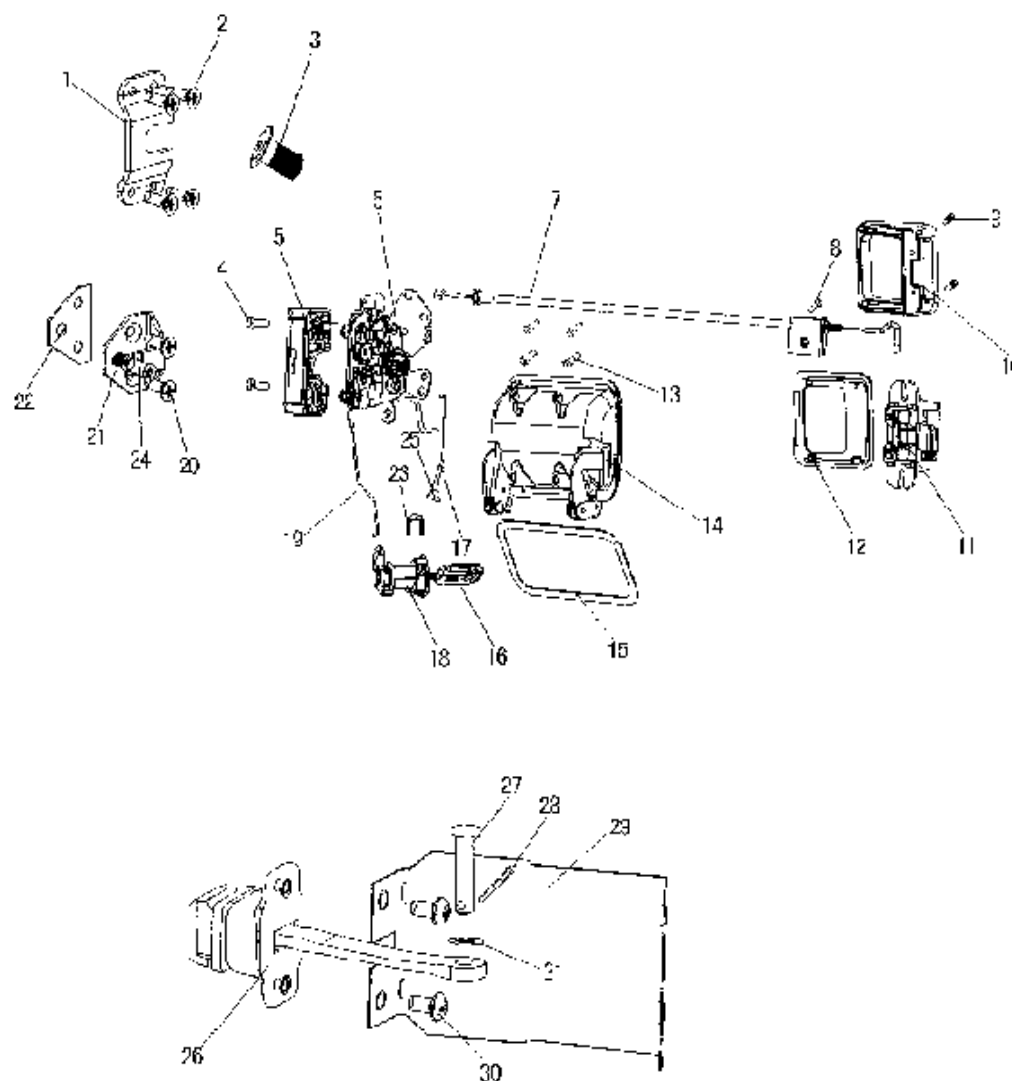
DOOR, GLASS AND FITTINGS/车门, 玻璃及附件

No	Number of part	Quantity	Description	Applicability	Designation
20	WG1642350002	1			Sealing profile right
30	AZ1642210001A	1			Left door assembly with glass,lock,and fittings
30	AZ1642210001	1			Left door assembly
30-1	AZ1642210003	1			Outer piece
30-2	AZ1642210005	1			Inter piece
30-3	WG1642210007	1			Left door glass guide
30-4	AZ1642210009	2			Door hinge
30-5	Q1840825	6			Screw
40	AZ1642210002	1			Right door assembly
40-1	AZ1642210004	1			Outer piece
40-2	AZ1642210006	1			Inter piece
40-3	WG1642210008	1			Right door glass guide
40-4	AZ1642210009	2			Door hinge
40-5	Q1840825	6			Screw
40	AZ1642210002A	1			Right door assembly with glass,lock and fittings

C12-18

DOOR LOCK/门锁

Fig. C12-20



C12-18

DOOR LOCK/门锁

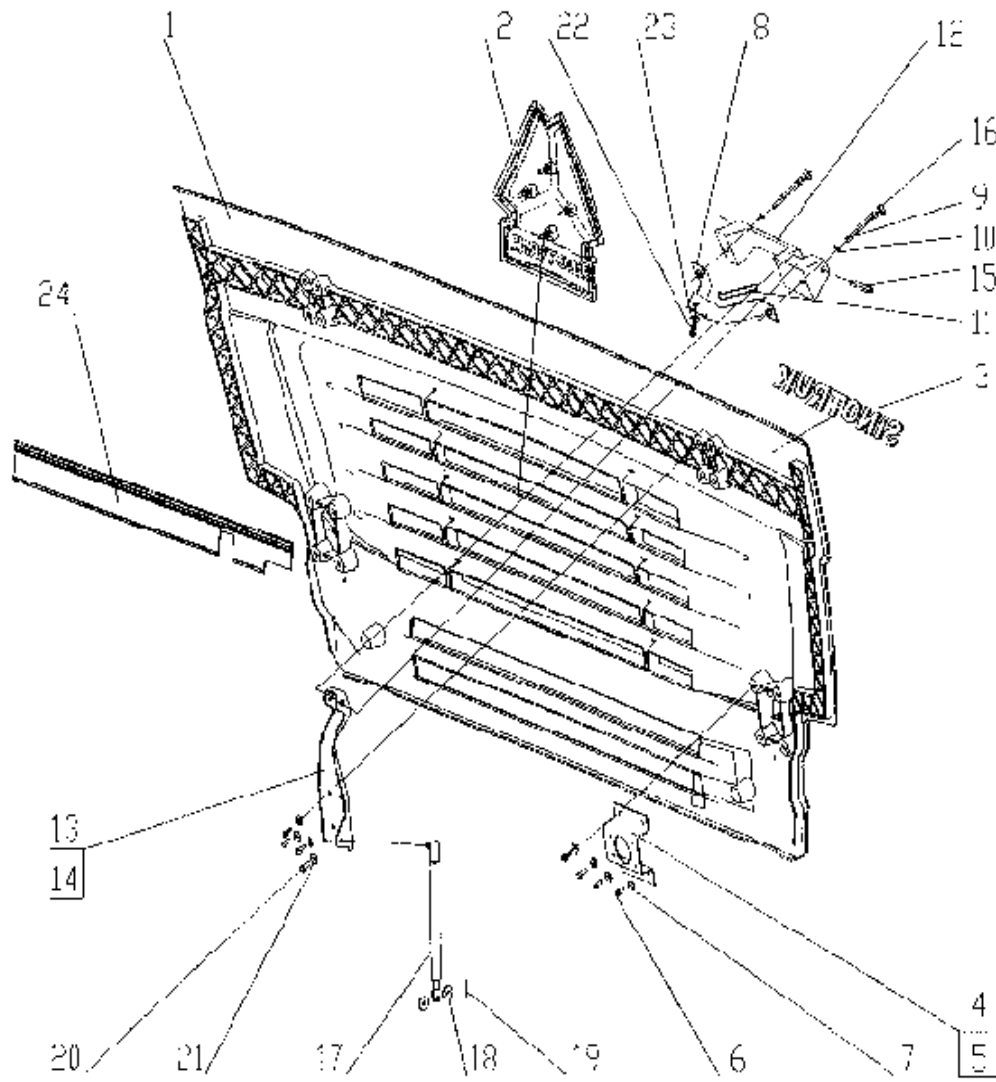
No	Number of part	Quantity	Description	Applicability	Designation
1	WG1642340020/1	2			Bearing for aux.support
1	WG1642340020/2	2			Bearing for aux.support
2	Q2540820	8			Screw
3	WG1642340021/1	2			Pin
3	WG1642340021/2	2			Pin
4	Q2540830	4			Screw
5	WG1642340012/1	1			Latch left
5	WG1642340012/2	1			Latch left
5a	WG1642340013/1	1			Latch right
5a	WG1642340013/2	1			Latch right
6	WG1642340014/1	1			Lock left
6	WG1642340014/2	1			Lock left
6a	WG1642340015/1	1			Lock right
6a	WG1642340015/2	1			Lock right
7	WG1642340028/1	2			Cable
7	WG1642340028/2	2			Cable
8	Q150B0612	2			Screw
9	Q2300612	4			Comb.screw
10	WG1642340033/1	2			Inter handle
10	WG1642340033/2	2			Inter handle
11	WG1642340031/1	2			Aux.lock
11	WG1642340031/2	2			Aux.lock
12	WG1642340032/1	2			Cover
12	WG1642340032/2	2			Cover
13	Q150B0616	8			Screw
14	WG1642340001/1	2			Outer handle
14	WG1642340001/2	2			Outer handle
15	WG1642340002/1	2			Washer
15	WG1642340002/2	2			Washer
16	WG1642340011/1	2			Key
16	WG1642340011/2	2			Key
17	WG1642340018/1	1		For left door	Control rod
17	WG1642340018/2	1		For left door	Control rod
17a	WG1642340029/1	1		For right door	Control rod
17a	WG1642340029/2	1		For right door	Control rod
18	WG1642340008/1	1		For left door	Lock element
18	WG1642340008/2	1		For left door	Lock element
18a	WG1642340009/1	1		For right door	Lock element
18a	WG1642340009/2	1		For right door	Lock element

19	WG1642340016/1	2			Control rod I
19	WG1642340016/2	2			Control rod I
20	Q2540820	4			Screw
21	WG1642340022/1	2			Bracket
21	WG1642340022/2	2			Bracket
22	WG1642340023/1	2			Plate
22	WG1642340023/2	2			Plate
23	WG1642340010/1	2			Lock piece
23	WG1642340010/2	2			Lock piece
24	WG1642340024/1	2			Pin
24	WG1642340024/2	2			Pin
25	WG1642340030/1	2			Rubber sleeve
25	WG1642340030/2	2			Rubber sleeve
26	WG1642340026/1	2			Strap
26	WG1642340026/2	2			Strap
27	Q5100835	2			Bolt
28	Q5002526	2			Split pin
29	WG1642340027/1	2			Fixing plate
29	WG1642340027/2	2			Fixing plate
30	Q2140612	4			Screw
31	Q41806	4			Washer

C12-19

FRONT COVER/面罩

Fig. C12-21



C12-19

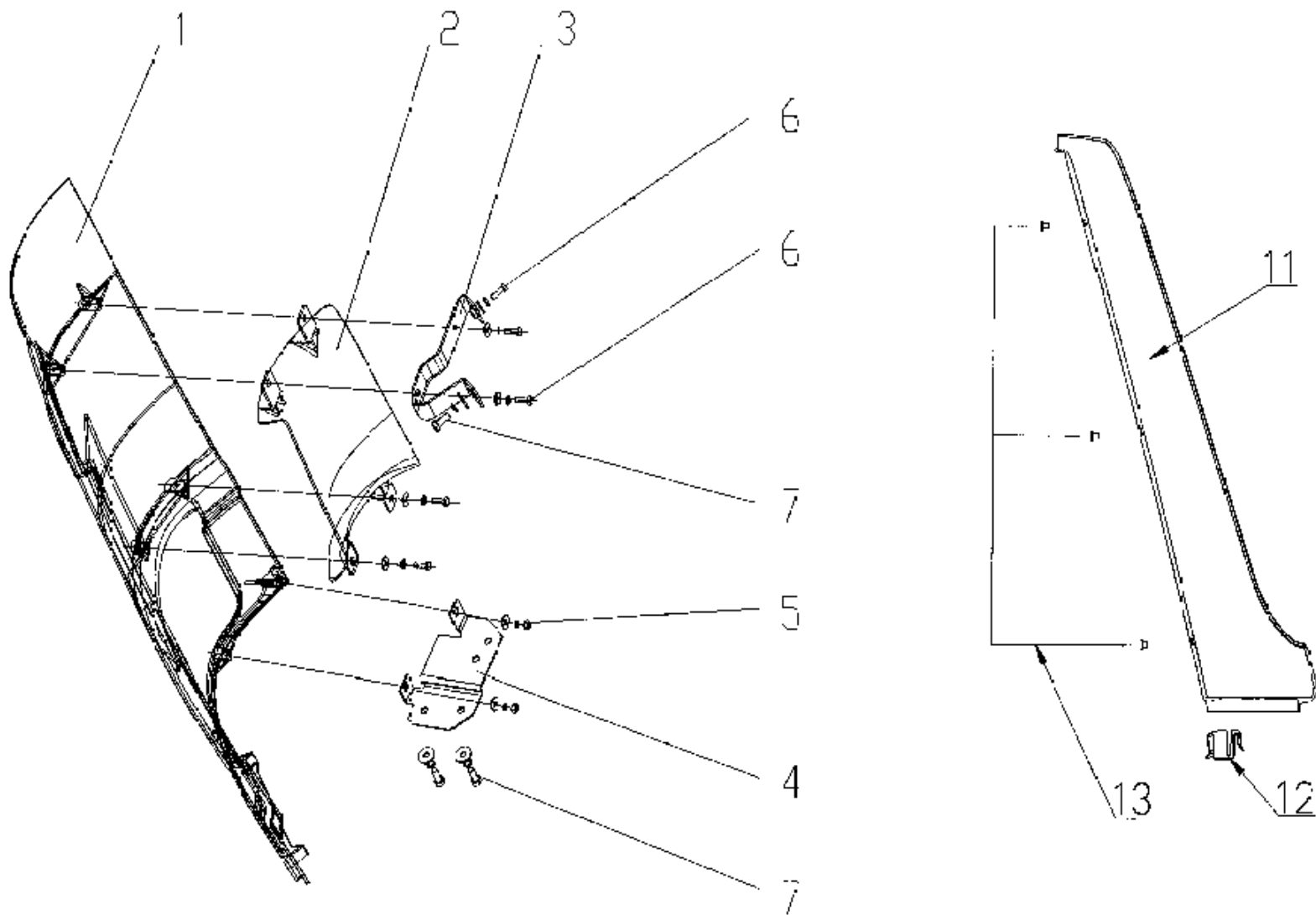
FRONT COVER/面罩

No	Number of part	Quantity	Description	Applicability	Designation
1	WG1642110013	1			Front cover
2	AZ1646950001	1			Logo shield
3	AZ1646950002	1			Shield 'sinotruk'
4	WG1642110027	1			Right lock C
5	WG1642110028	1			Left lock C
6	Q150B0616	10			Screw
7	Q40206	10			Washer
8	AZ1642110014	2			Bracket
9	Q218B0870	4			Screw
10	Q40008	4			Washer
11	WG1642110018	2			Protecting strip
12	WG1642110016	2			Base for hinge
13	AZ1642110032	1			Left hinge
14	AZ1642110033	1			Right hinge
15	AZ1642110017	2			Hinge pin
16	WG1642930003	4			Plug
17	WG1642110024	2			Spring
18	WG9100360134	4			Spacer
19	Q5002014	2			Split pin
20	Q150B0616	8			Screw
21	Q40206	8			Washer
22	Q150B0816	2			Screw
23	Q40208	2			Washer
24	WG1642110034	1			Plate

C12-20

SIDE COVER, 'A' POLE GARNISH/侧导风罩, A立柱装饰

Fig. C12-22



C12-20

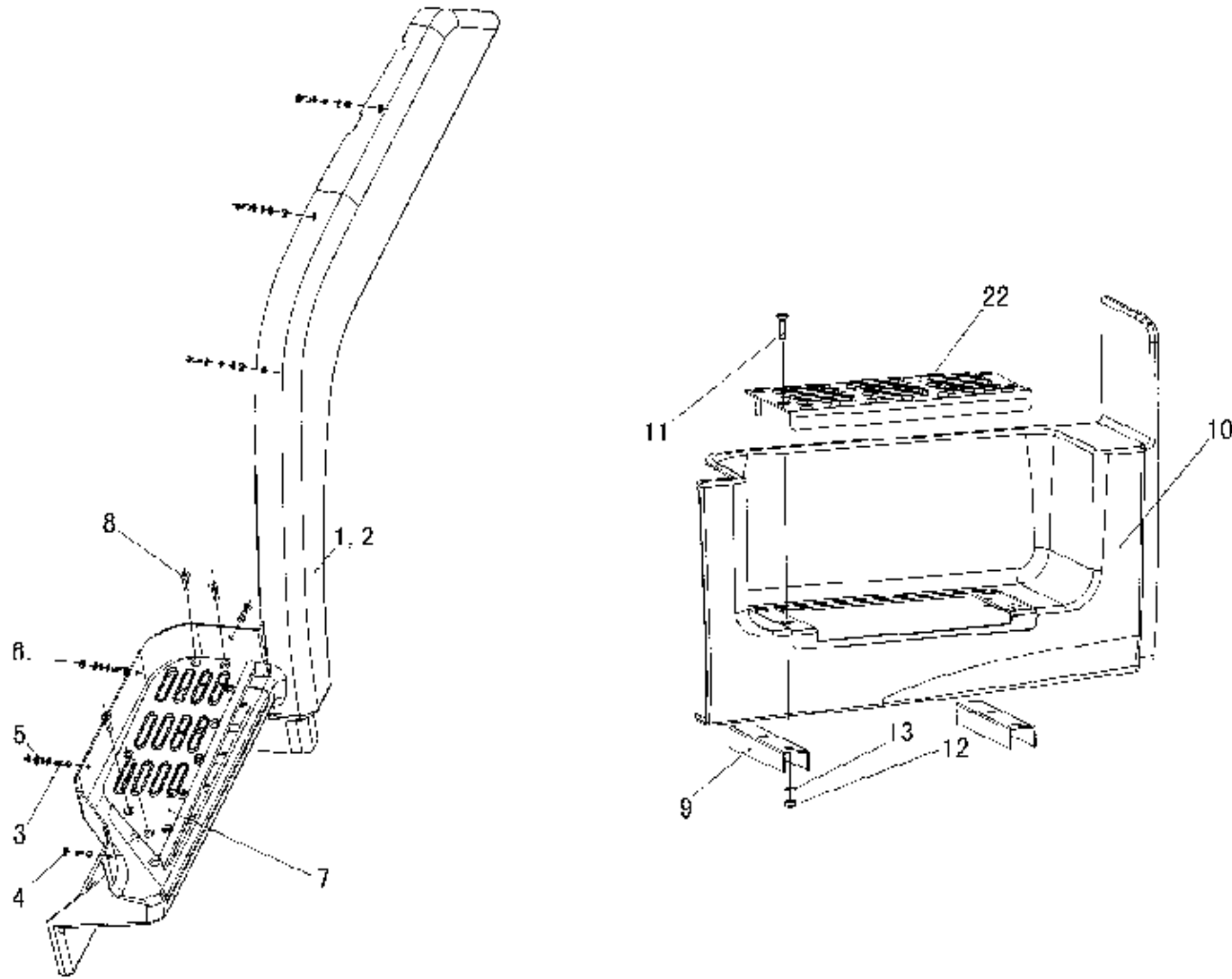
SIDE COVER, 'A' POLE GARNISH/侧导风罩, A立柱装饰

No	Number of part	Quantity	Description	Applicability	Designation
1	WG1642110001	1			Outer side cover right
1a	WG1642110002	1			Outer side cover left
2	WG1642110003	1			Inter plate right
2a	WG1642110004	1			Inter plate left
3	AZ1642110006	2			Bracket
4	AZ1642110007	1			Bracket right
4a	AZ1642110008	1			Bracket left
5	Q350B06	4			Nut
5a	Q40206	4			Washer
5b	Q40306	4			Spring washer
6	Q150B0620	10			Screw
6a	Q40206	10			Washer
6b	Q40306	10			Spring washer
7	Q150B0820	6			Screw
7a	Q40208	6			Washer
7b	Q40308	6			Spring washer
10	WG1642110019	1			'A'pole garnish left
10a	WG1642110020	1			'A'pole garnish right
12	WG1642110021	2			Clip
13	WG1642110022	6			Rivet

C12-21

MUDGUARD/翼子板

Fig. C12-23



C12-21

MUDGUARD/翼子板

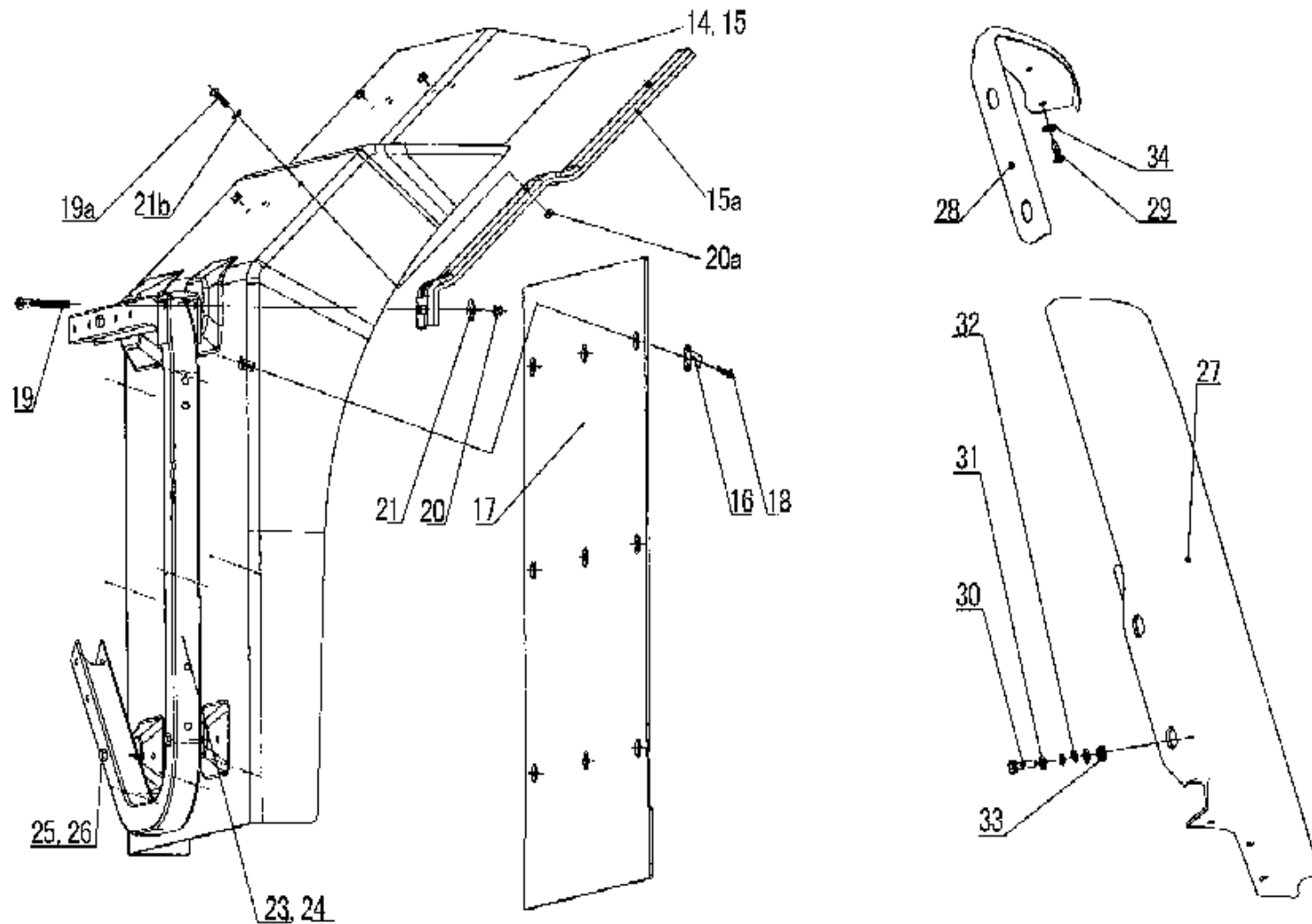
No	Number of part	Quantity	Description	Applicability ※	Designation
1	WG1642230012	1		B, BR, C, CR	Left wheel fender
1	WG1641230020	1		A, AR	Left wheel fender
2	WG1642230013	1		B, C, BR, CR	Right wheel fender
2	WG1641230021	1		A, AR	Right wheel fender
3	Q150B0620	14			Screw
4	Q40106	14			Washer
5	Q40306	14			Spring washer
6	Q340B06	14			Nut
7	WG1642230018	1			Step left
7a	WG1642230019	1			Step right
8	Q2540830	8			Screw
9	AZ9725930049	4			Bracket for step bow
9	WG9725930017	4		B, BR, C, CR	Bracket for step bow
10	WG1641240011	1			Right step bow
10a	WG1641240012	1			Left step bow
10	WG1642240030				Left step bow bottom
10a	WG1642240031				Right step bow bottom
11	Q150B0825	8			Screw
12	Q340B08	8			Nut
13	Q40308	8			Spring washer
14	WG1642230003	1			Left rear wheel fender
15	WG1642230004	1			Right rear wheel fender
15a	WG1642230005	4			Aux.plate for wheel fender
16	AZ1642230008	18			Washer
17	AZ1642230007	2			Pad for rear wheel fender



C12-21

MUDGUARD/翼子板

Fig. C12-24



C12-21

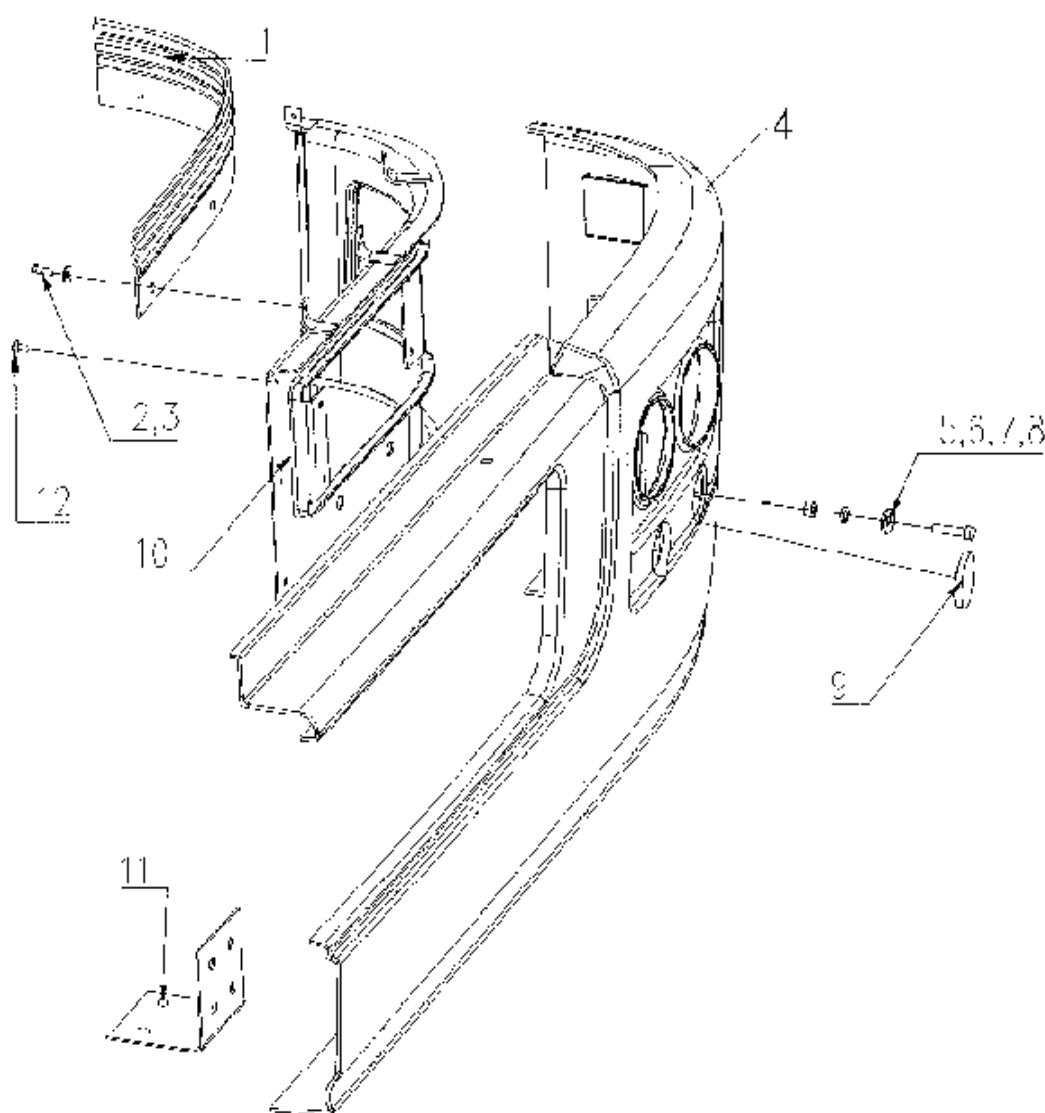
MUDGUARD/翼子板

No	Number of part	Quantity	Description	Applicability	Designation
18	Q2713516	18			Screw
19	Q150B0860	8			Screw
19a	Q150B0620	8			Screw
20	Q340B08	8			Nut
20a	Q340B06	8			Nut
21	Q40308	8			Spring washer
21a	Q40306	8			Spring washer
21b	Q40106	8			Washer
22	WG1642240032	1			Bottom step left
22a	WG1642240033	1			Bottom step right
22b	Q2540830	8			Screw
22c	Q40308	8			Spring washer
22d	Q340B08	8			Nut
23	WG9719930315	1			Bracket for left rear mudguard
23	WG9731930010	1		8×4	Bracket for left rear mudguard
24	WG9731930015	1		8×4	Bracket for right rear mudguard
24	WG9719930313	1			Bracket for right rear mudguard
24a	WG9719930321	2			Plate
24a	WG9731930014	2		8×4	Plate
25	Q151B1445	2			Screw
26	190003888468	2			Nut
27	WG1641230028	1		A, AR	Rear cover
28	WG1641230030	1		A, AR	Bracket for rear cover
29	Q2714816	3		A, AR	Screw
30	Q150B0620	3		A, AR	Screw
31	Q40206	8		A, AR	Washer
32	Q40306	8		A, AR	Spring washer
33	Q340B06	4		A, AR	Nut
34	Q40204	3		A, AR	Washer
41	WG1641230025	1			Left mudguard
42	WG1641230026	1			Right mudguard
43	AZ1641230027	2			Strip for mudguard

C12-22

BUMPER/保险杠

Fig. C12-25



C12-22

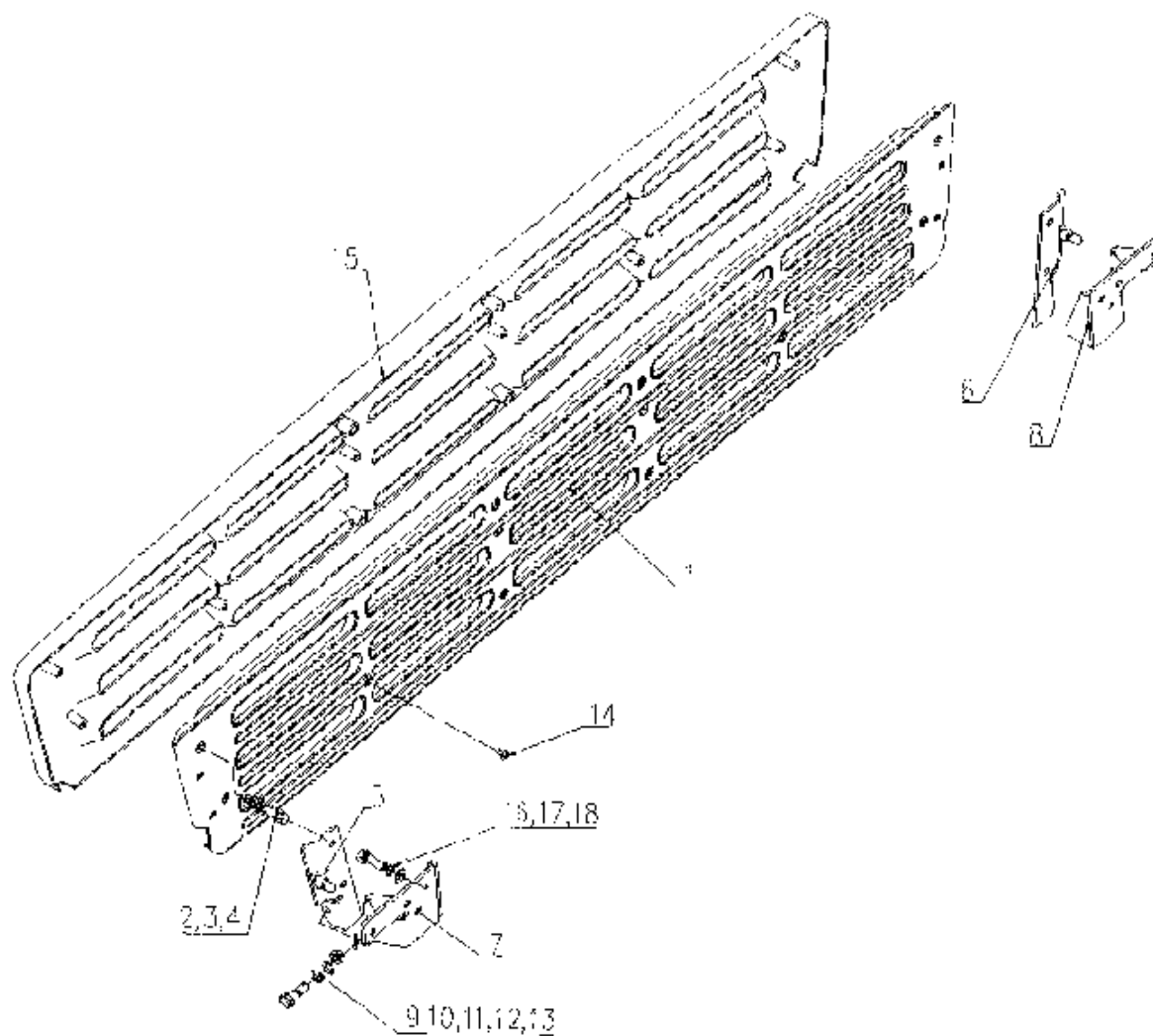
BUMPER/保险杠

No	Number of part	Quantity	Description	Applicability	Designation
1	AZ1642240050	1			Garnish plate left
1a	AZ1642240051	1			Garnish plate right
1b	WG1642930009	4			Nut
1c	AZ1608240074	4			Rubber pad
2	Q2714819	4			Screw
3	Q40206	4			Washer
4	WG1642240002	1			Bumper
4	WG1641240001	1			High bumper
5	Q150B0835	8			Screw
6	Q340B08	8			Nut
7	Q40208	8			Washer
8	Q40508	8			Spring washer
9	WG1642240050	1			Inter plug right
9	WG1642240052	1			Outer plug right
9	WG1642240051	1			Inter plug left
9	WG1642240053	1			Outer plug left
10	WG1642240040	1			Bracket left
10	WG1642240041	1			Bracket right
11	WG1642240042	2			Middle bracket
12	Q2764816	20			Screw

C12-23

GRILLE OF BUMPER/保险杠格栅

Fig. C12-26



C12-23

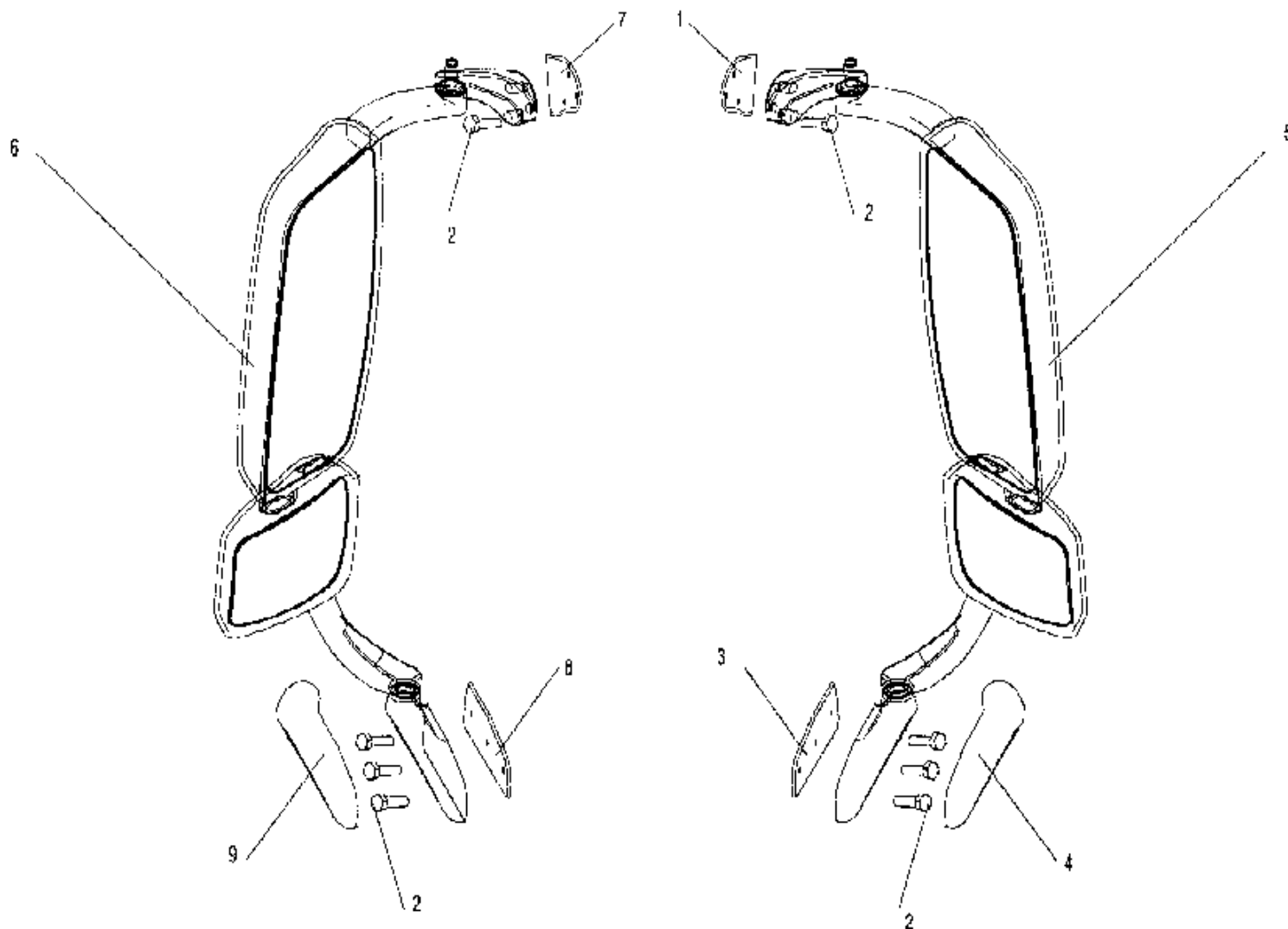
GRILLE OF BUMPER/保险杠格栅

No	Number of part	Quantity	Description	Applicability	Designation
0	AZ1642240011	1			Grille assembly
1	AZ1642240012	1			Grille body
2	Q1840816	4			Screw
3	Q340B08	4			Nut
4	Q40408	4			Spring washer
5	AZ1642240005	1			Connecting plate left
6	AZ1642240006	1			Connecting plate right
7	AZ1642240019	1			Bracket left
8	AZ1642240020	1			Bracket right
9	WG1642240080	2			Bolt
10	Q40508	4			Spring washer
11	Q340B08	2			Nut
12	Q40008	2			Washer
13	Q5000214	2			Split pin
14	Q2764813	8			Screw
15	WG1642240018	1			Grille
16	Q150B0825	4			Screw
17	Q40008	4			Washer
18	Q40408	4			Spring washer

C12-24

REAR VIEW MIRROR/后视镜

Fig. C12-27



C12-24

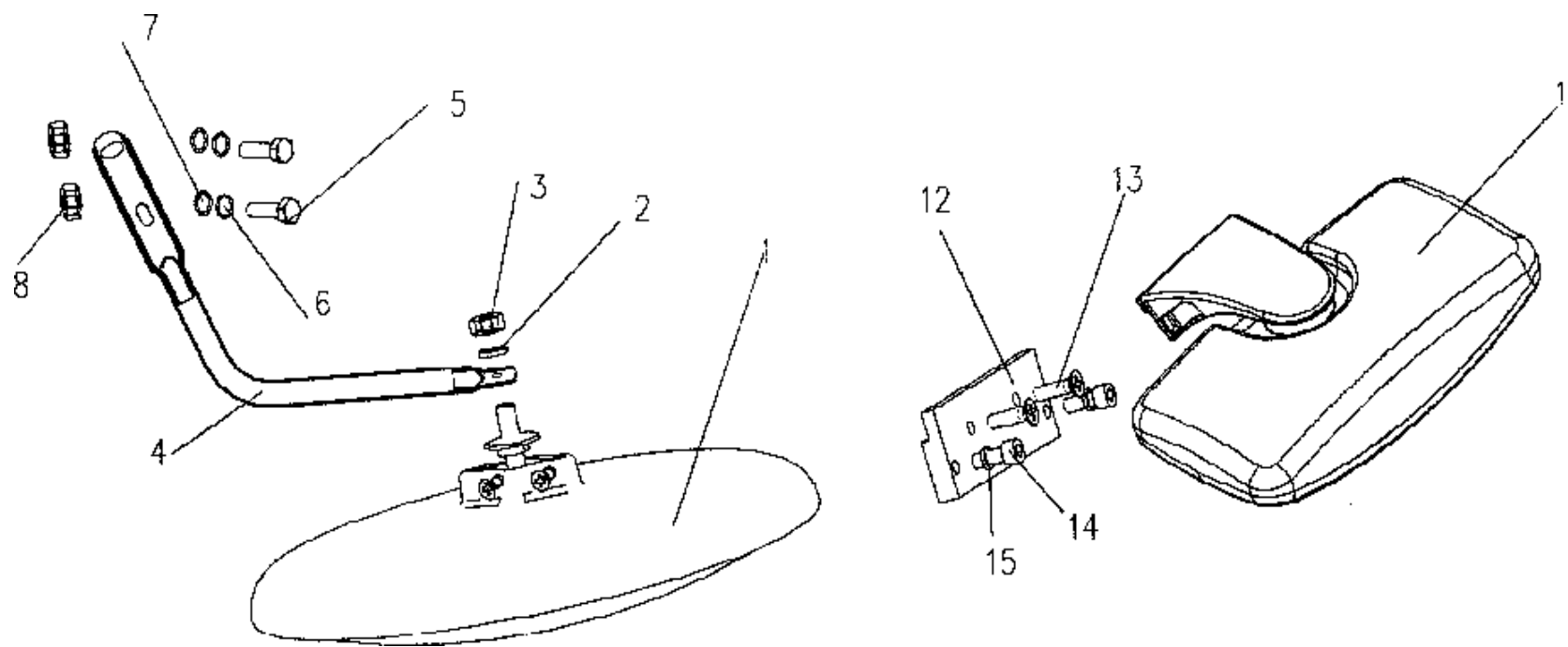
REAR VIEW MIRROR/后视镜

No	Number of part	Quantity	Description	Applicability	Designation
1	WG1642770001-1	1			Rubber block
2	Q218B0635	12			Screw
3	WG1642770001-2	1			Rubber block
4	WG1642770001-3	1			Cover garnish
5	WG1642770001	1			Rear view mirror left
5	WG1646770001	1		For drive right	Rear view mirror left
6	WG1642770003	1			Rear view block right
6	WG1646770002	1		For drive right	Rear view mirror right
7	WG1642770003-1	1			Rubber block
8	WG1642770003-2	1			Rubber block
9	WG1642770003-3	1			Cover garnish
10	WG1642770001-4	1			Bottom rear view mirror left
10	WG1642770003-4	1			Bottom rear view mirror right
10	WG1646770001-4	1		For drive right	Bottom rear view mirror left
10	WG1646770002-4	1		For drive right	Bottom rear view mirror right
11	WG1642770001-5	1			Above rear view mirror left
11	WG1642770003-6	1			Above rear view mirror right
11	WG1646770001-5	1		For drive right	Above rear view mirror left
11	WG1646770002-6	1		For drive right	Above rear view mirror right

C12-25

DOWN VIEW MIRROR, SIDE MIRROR/下视镜, 路面镜

Fig. C12-28



C12-25

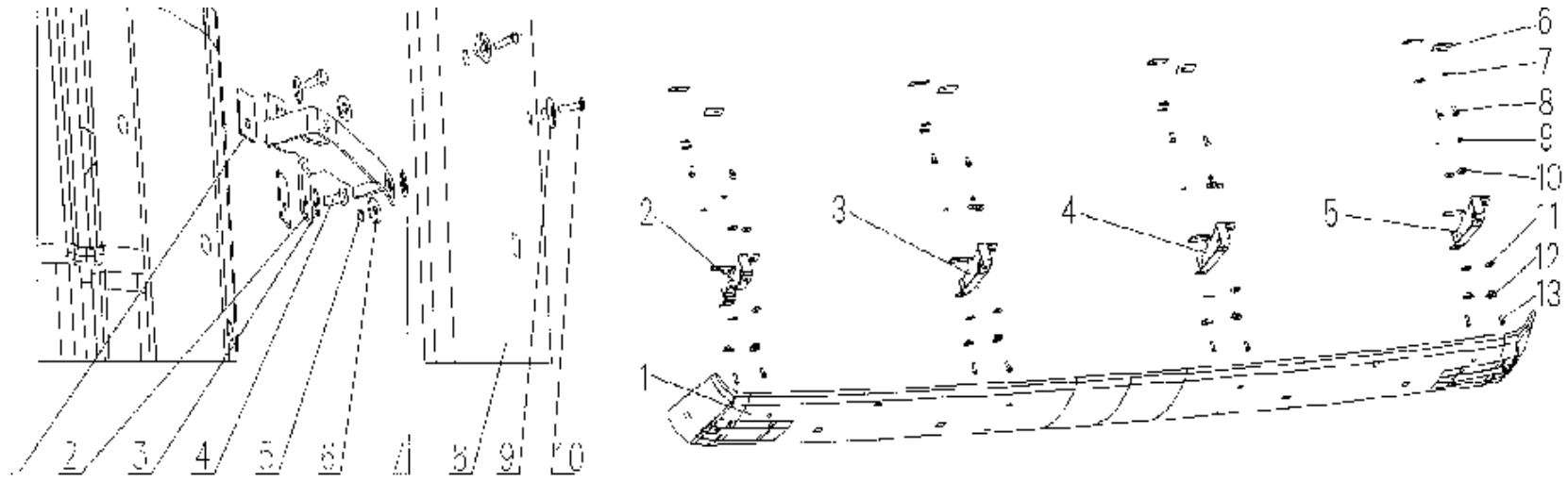
DOWN VIEW MIRROR, SIDE MIRROR/下视镜, 路面镜

No	Number of part	Quantity	Description	Applicability	Designation
1	WG1642770004	1			Down view mirror
2	WG1642770004-1	1			Nut
3	WG1642770004-2	1			Washer
4	AZ1642770054	1		For standard, long cab	Bracket
4	AZ1644771000	1		For high-roof cab	Bracket
4	AZ1646771000	1		For high-roof and drive right	Bracket
4	AZ1646770054	1		For drive right, standard, long cab	Bracket
5	Q150B0825	2			Screw
6	Q40308	2			Spring washer
7	Q40208	4			Washer
8	Q340B08	2			Nut
11	WG1600770007	1			Side mirror
12	AZ1642770098	1			Base
13	Q2540620	2			Screw
14	Q218B0616	2			Screw
15	Q40306	2			Spring washer

C12-26

SUN VISOR/遮阳罩

Fig. C12-29



C12-26

SUN VISOR/遮阳罩

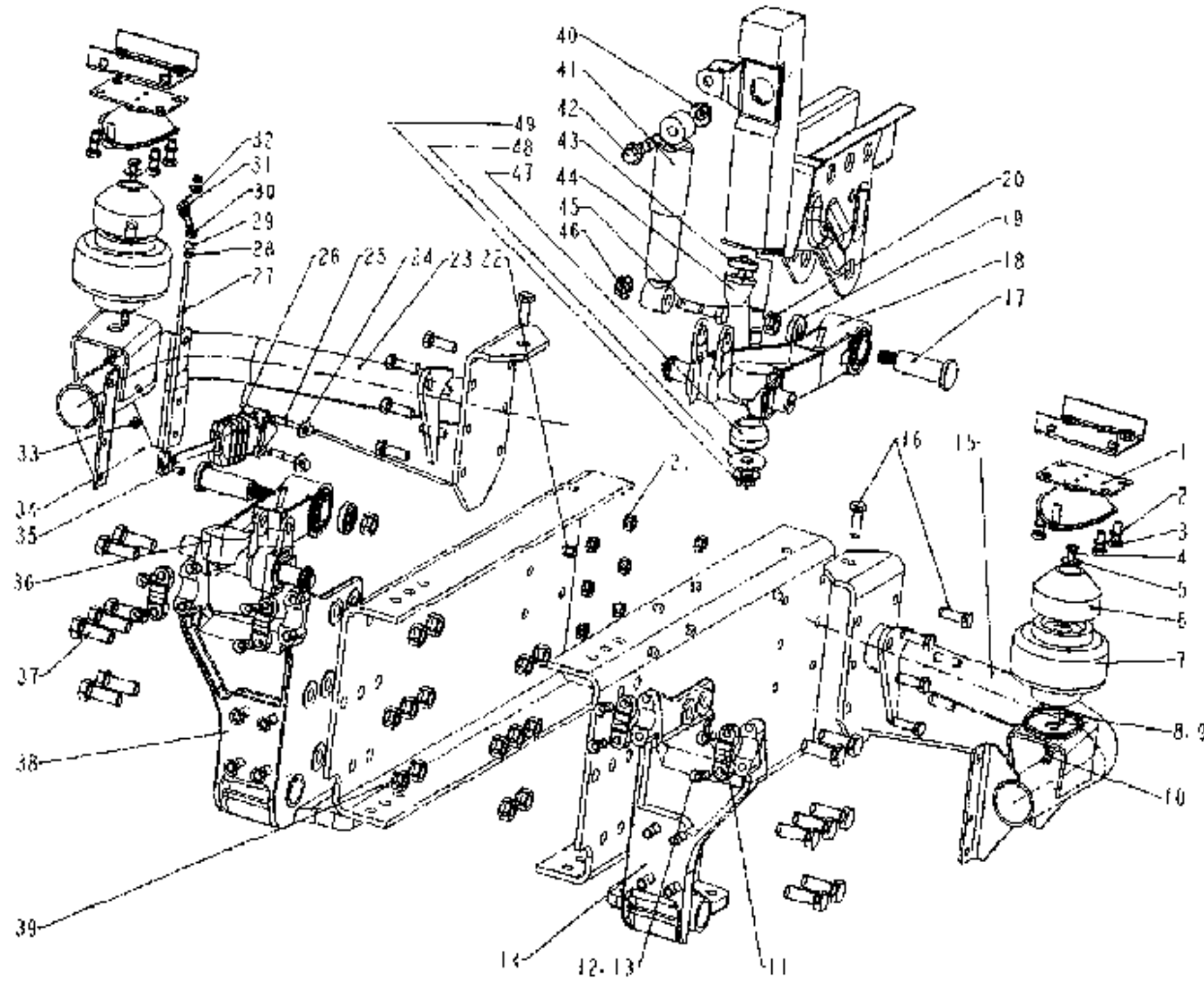
No	Number of part	Quantity	Description	Applicability ※	Designation
1	WG1642870231	1		A, AR, B, BR	Sun visor
1	WG1644870002	1		C, CR	Sun visor
2	WG1642870232	1		A, AR, B, BR	Side bracket right
2	AZ1644870003	1		C, CR	Bracket
3	WG1642870234	1		A, AR, B, BR	Middle bracket right
4	WG1642870235	1		A, AR, B, BR	Middle bracket left
5	WG1642870233	1		A, AR, B, BR	Side bracket left
5	AZ1644870003	1		C, CR	Bracket
6	AZ1672870121	8		A, AR, B, BR	Rubber pad
6	AZ1672870121	6		C, CR	Rubber pad
7	Q40208	8			Washer
8	Q150B0820	8			Screw
9	Q340B06	8			Nut
10	Q40206	8			Washer
11	AZ1642870043	8		A, AR, B, BR	Rubber pad
11	AZ1642870043	4		C, CR	Rubber pad
11	AZ1644870004	2		C, CR	Bracket
12	AZ1608870008	8		A, AR, B, BR	Washer
12	AZ1608870008	6		C, CR	Washer
13	Q2140625	8			Screw
14	WG1642870236	2		A, AR, B, BR	Side bracket
15	Q150B0820	2		A, AR, B, BR	Screw
16	Q40208	2		A, AR, B, BR	Washer
17	AZ1672870121	2		A, AR, B, BR	Rubber pad
18	Q150B0825	2		A, AR, B, BR	Screw
19	Q40208	4		A, AR, B, BR	Washer
20	Q340B08	2		A, AR, B, BR	Nut

※ A~CR—Mark of cab

C12-27

FRONT SUSPENSION OF DRIVER 轿 CAB/驾驶室前悬置

Fig. C12-30



C12-27

FRONT SUSPENSION OF DRIVER 轿 CAB/驾驶室前悬置

No	Number of part	Quantity	Description	Applicability ※	Designation
1	AZ1642430030	2			Above base for air spring
1	AZ1642430125	2		SS	Above base for screwy spring
2	Q40310	8			Spring washer
3	Q150B1025	8			Screw
4	Q150B0820	2		AS	Screw
5	Q41208	2		AS	Washer
6	WG1642430033	2		AS	Guide
6	AZ1642430116	2		SS	Washer
7	AZ1642430085	2		AS	Air spring
7	WG1642430118	2		SS	Screwy spring
7	WG1642430117	2		SSH	Screwy spring
8	Q40308	2			Spring washer
9	Q150B0820	2			Screw
10	WG1642430086	2		AS	Nozzle
11	AZ1642430043	4			Cover
12	Q40312	8			Spring washer
13	Q150B1235	8			Screw
14	AZ1642430041	1			Front support left
15	WG1642430010	1		AS	Bottom spring bracket left
15	AZ1642430110	1		SS	Bottom spring bracket left
15	AZ1642430126	1		AS,drive right	Bottom spring bracket left
16	Q151C1235	14			Screw
17	AZ1642430071	2			Screw
18	AZ1642430051	1			Left swing arm
19	AZ1642430072	2			Washer
20	190003888459	2			Nut
21	190003888457	2			Nut
22	190003888457	2			Nut
23	WG1642430020	1		AS	Bottom spring bracket right
23	WG1642430120	1		SS	Bottom spring bracket right
23	AZ1642430127	1		AS,drive right	Bottom spring bracket right
24	Q40208	2			Washer
25	Q150B0855	2		AS	Screw
26	WG1642440051	1		AS	Height control valve
27	WG1642430035	1		AS	Brace rad I
28	Q340B09	4		AS	Nut
29	AZ1642430036	2		AS	Ball washer
30	AZ1642430034	1		AS	Connecting rod
31	Q340B08	1		AS	Nut

32	Q41208	1		AS	Toothed washer
33	Q340B08	2		AS	Nut
34	Q5002012	1		AS	Split pin
35	Q5100614	1		AS	Bolt
36	AZ1642430052	1			Right swing arm
37	Q151B1645	14			Screw
38	AZ1642430042	1			Front support right
39	190003888459	14			Nut
40	Q33014	2			Nut
41	AZ1642430091	2			Shock absorber
42	Q1841470	2			Nut
43	AZ1642430082	2			Washer
44	WG1642430081	2			Spring stop
45	Q150B1460	2			Screw
46	Q33014	2			Nut
47	AZ1642430097	2			Rubber stop
48	Q40216	2			Washer
49	Q33016	2			Nut

※ AS— Air suspension of cab, 驾驶室空气悬挂

※ SS— Screwy spring suspension of cab, 驾驶室螺旋弹簧悬挂

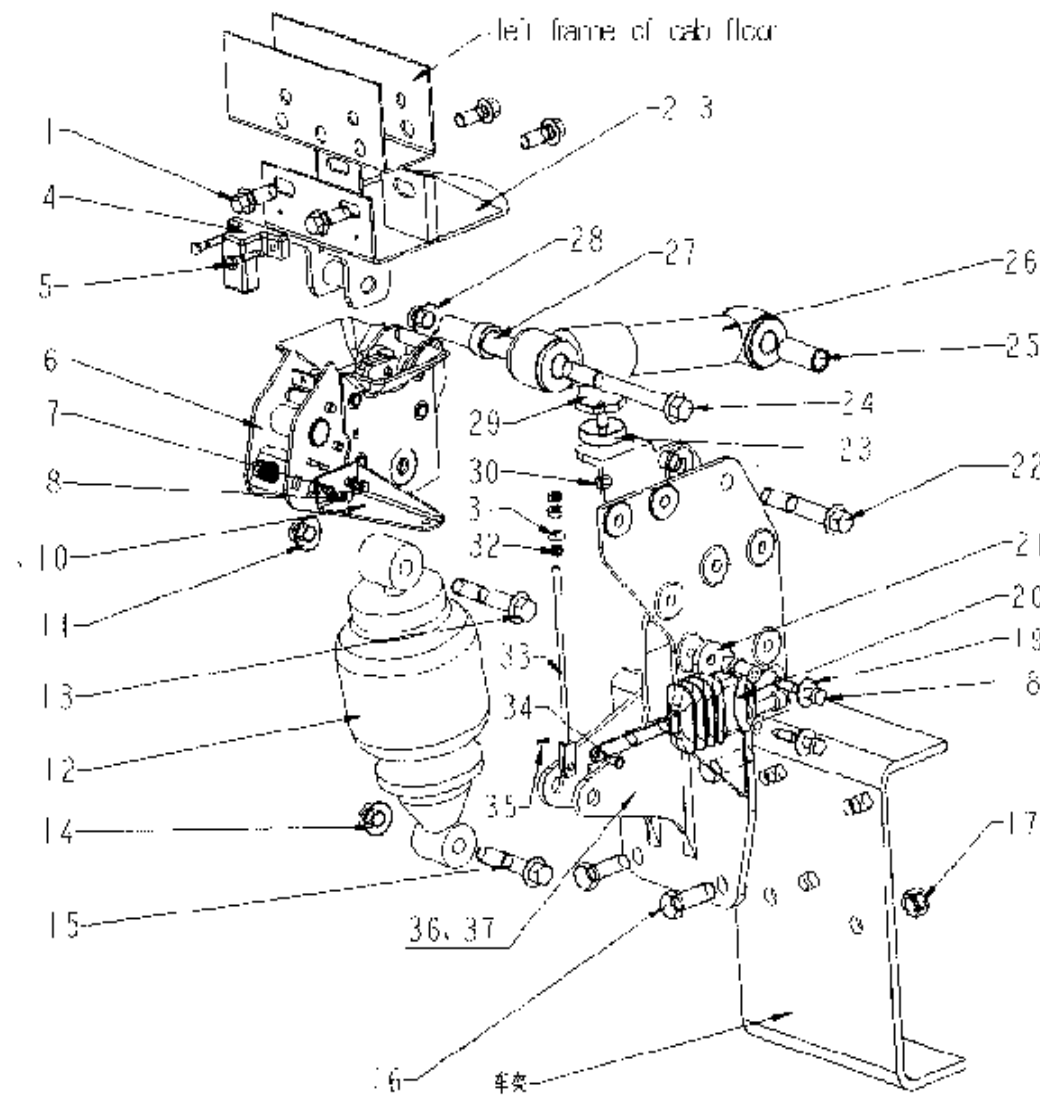
※ SSH— Screwy spring suspension of Long cab and high-roof cab, 中长, 高项驾驶室螺旋弹簧悬挂



C12-28

REAR SUSPENSION OF DRIVER' S CAB/驾驶室后悬置

Fig.C12-31



C12-28

REAR SUSPENSION OF DRIVER' S CAB/驾驶室后悬置

No	Number of part	Quantity	Description	Applicability ※	Designation
1	Q1841230	8			Screw
2	WG1642440040	1			Above bracket left
3	WG1642440041	1			Above bracket right
4	WG1642440052	2			Sensor for cab lock
5	Q150B0630	4			Screw
6	WG1642440101	2			Hyd.lock
7	Q40306	4			Spring washer
8	Q150B0610	4			Screw
9	WG1642440055	1		AS	Left bracket
10	WG1642440056	1		AS	Right bracket
11	Q33014	2			Nut
12	AZ1642440025	2		AS	Shock absorber
12	AZ1642440027	2		SSH	Shock absorber(screwy spring)
12	WG1642440028	2		SSS	Shock absorber(screwy spring)
13	Q1841480	2			Screw
14	Q33014	2			Nut
15	Q1841470	2			Screw
16	Q151B1445	8			Screw
17	190003888458	8			Nut
18	Q150B0850	4			Screw
19	Q40208	4			Washer
20	WG1642440051	2		AS	Height control valve
21	AZ1642440035	2		AS	Plate
22	Q1841490	2			Screw
23	AZ1642430082	2			Washer
24	Q18414140	2			Screw
25	AZ1642440032	2			Bush II
26	AZ1642440021	2			Stabilizer
27	AZ1642440031	2			Bush I
28	Q33014	2			Nut
29	WG1642430081	2			Stop
30	Q340B10	2			Nut
31	AZ1642430036	4		AS	Ball washer
32	Q340B06	8		AS	Nut
33	WG1642440060	2		AS	Brace rod
34	Q5100614	2		AS	Bolt
35	Q5002012	2		AS	Split pin
36	AZ1642440011	1		B, BR, C, CR	Bottom bracket left

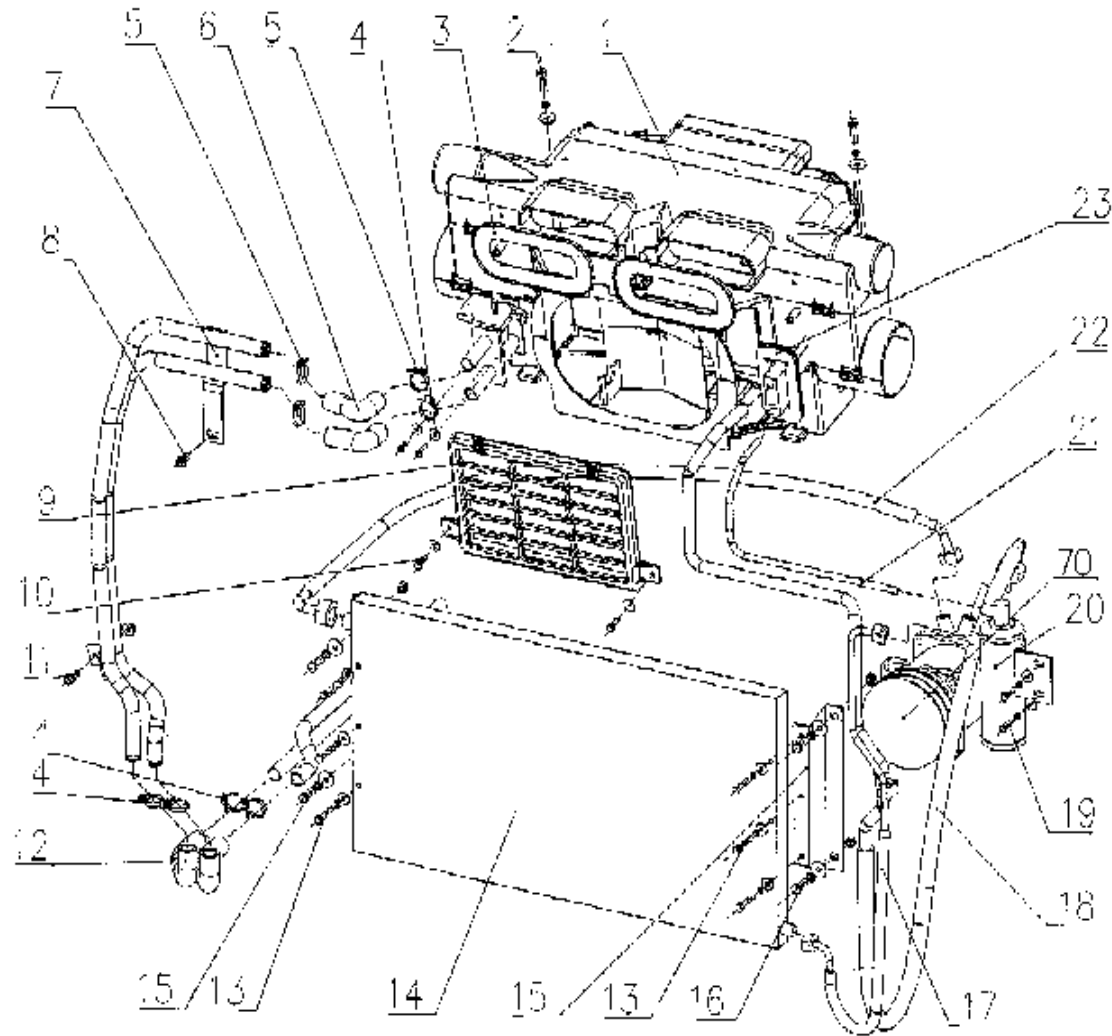
36	AZ1642440013	1		A, AR	Bottom bracket left
36	AZ1642440015			8×4and ASS,SSS	Bottom bracket left
37	AZ1642440012	1		B, BR, C, CR	Bottom bracket right
37	AZ1642440014	1		A, AR	Bottom bracket right
37	AZ1642440016			8×4and ASS,SSS	Bottom bracket right
38	WG1642440070	1			T-nozzle
39	WG1642440072	1			Hose
※ SSS—Spring suspension of standard cab, 标准驾驶室螺旋弹簧悬挂					
※ ASS—Air suspension of standard cab, 标准驾驶室空气弹簧悬挂					



C12-30

AIR CONDITIONER/空调装置

Fig. C12-33



C12-30

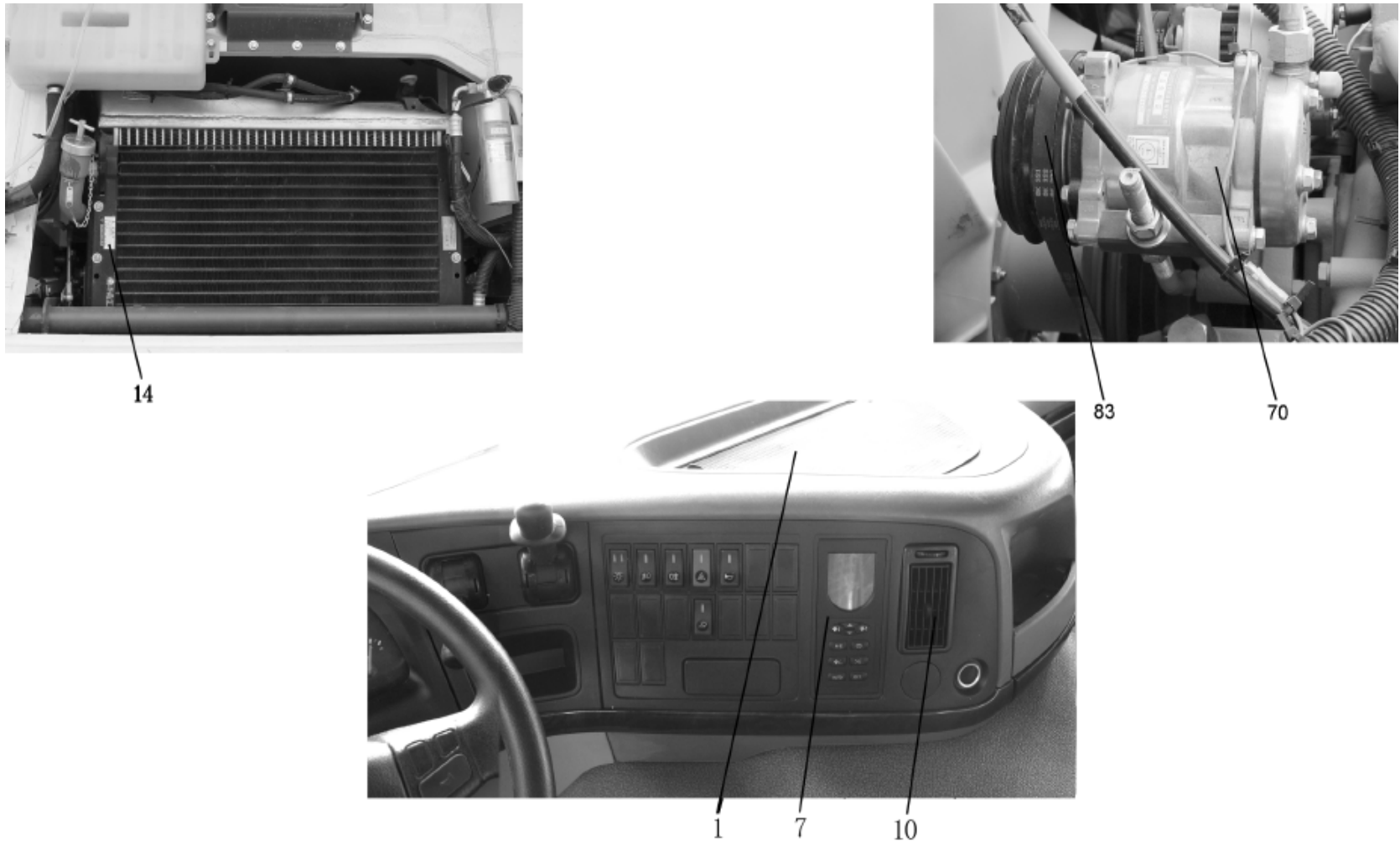
AIR CONDITIONER/空调装置

No	Number of part	Quantity	Description	Applicability	Designation
1	WG1642820002	1			Air conditioner with electro air intake
1-1	AZ1630840013	1			Bottom housing
1-2	AZ1630840091	2			Water pipe
1-3	AZ1630840319	1			Water tank with electro valve
1-3-1	AZ1630840074	1			Water tank
1-3-2	AZ1630840073	1			Water inlet pipe assembly
1-3-3	AZ1630840066	3			O-ring
1-3-4	AZ1630840072	1			Water outlet pipe assembly
1-3-5	AZ1630840320	1			Water valve with electro switch
1-4	AZ1630840326	1			3#water changer
1-5	Q2723525	2			Screw
1-6	AZ1642820010	1			Evaporator assembly
1-6-1	AZ1642820010-1	1			Expansion valve
1-6-2	AZ1642820010-2	1			Temprature sensor
1-7	AZ1630840015	2			Air intake assembly
1-8	AZ1630840312	1			Middle housing
1-9	AZ1630840092	1			Seal strip
1-10	AZ1630840063	9			Clip
1-11	AZ1642820010	1			Fan
1-12	AZ1630840323	1			Electrical line for fan
1-13	Q2714216	3			Screw
1-14	AZ1630840321	1			Fan speed changer
1-15	AZ1630840049	1			Rotary plate
1-16	AZ1630840050	1			Rotary arm
1-17	AZ1630840051	2			Torsion spring

C12-30

AIR CONDITIONER/空调装置

Fig. C12-34



C12-30

AIR CONDITIONER/空调装置

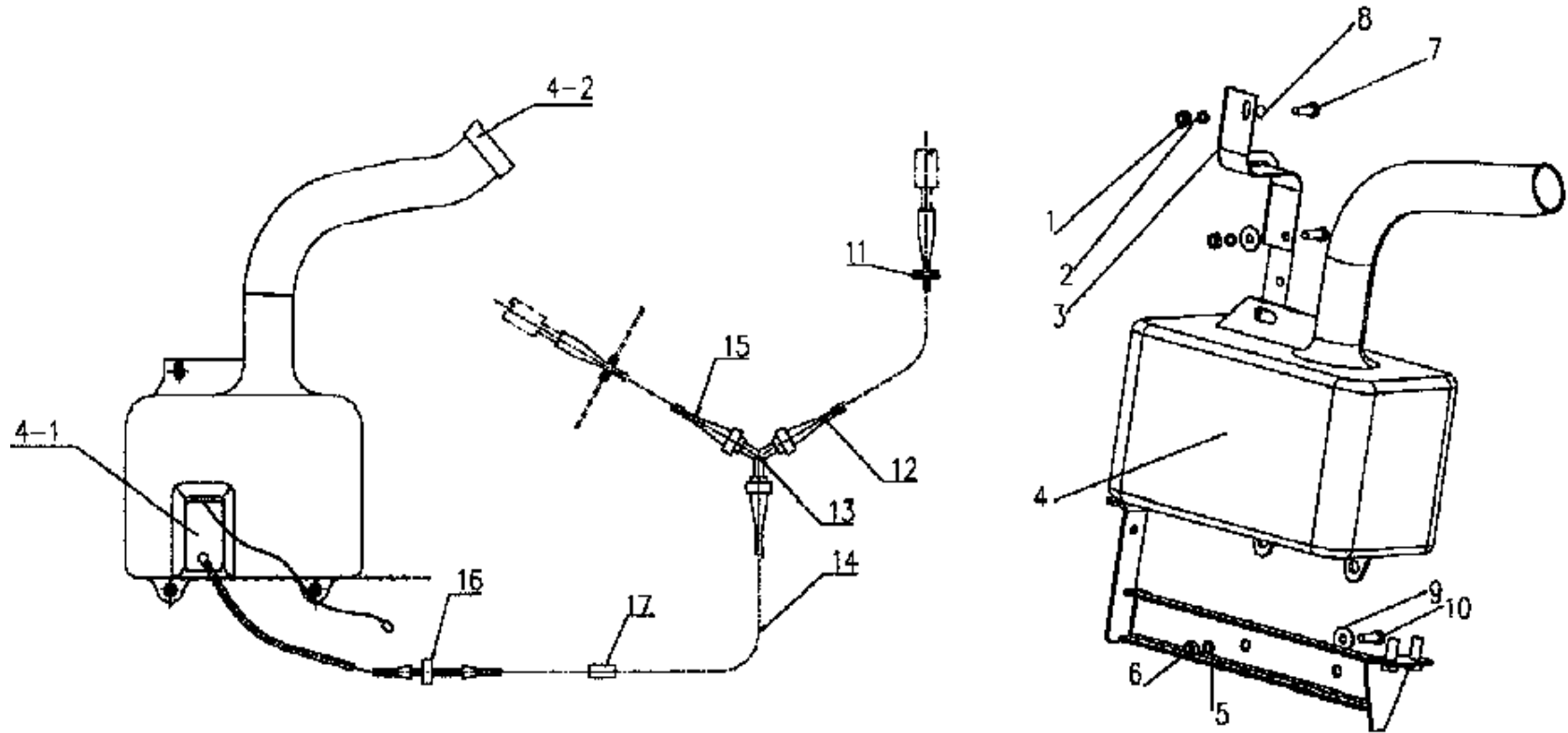
No	Number of part	Quantity	Description	Applicability	Designation
1-18	AZ1630840052	1			Washer
1-19	AZ1630840065	1			Snap ring
1-20	AZ1630840045	2			Rod II
1-21	AZ1630840046	1			Rod III
1-22	AZ1630840047	1			Rod IV
1-23	AZ1630840047	1			2# water changer
1-24	Q2723525	2			Screw
1-25	AZ1630840313	1			Lever
1-26	AZ1630840314	1			Rod
1-27	AZ1630840053	2			Base
1-28	AZ1630840311	1			Above housing
1-29	AZ1630840401	1			Gasket
1-30	AZ1630840093	1			Seal strip II
1-31	AZ1630840063	8			Clip
1-32	AZ1630840037	1			Air intake left
1-33	AZ1630840038	1			Air intake right
1-34	AZ1630840040	1			Air intake front
1-35	AZ1630840041	2			Rod
1-36	AZ1630840035	1			Shaft
1-37	AZ1630840036	1			Air intake rear
1-38	AZ1630840039	1			Rod I
1-39	AZ1630840053	1			Base
1-40	AZ1630840034	2			Bevel gear
1-41	AZ1630840315	1			Shaft for bevel gear
1-42	Q43660	1			Snap ring
1-43	AZ1630840324	1			1# waler changer
1-44	Q2723525	2			Screw
1-45	AZ1630840016	1			Seal ring
1-46	AZ1630840021	1			Plate
1a	Q150B0830	2			Screw
1b	Q40308	2			Spring washer
1c	Q40208	2			Washer
3	AZ1630840062	2			Rubber sleeve
4	Q2714825	2			Screw

4a	Q40206	2			Washer
5	190003989340	6			Circlip
6	WG1642840091	2			Hose I
7	AZ1642840013	1			Steel pipe
8	Q1840816	1			Screw
9	AZ1642840084	1			Protect net
10	Q150B0620	2			Screw
10a	Q40206	2			Washer
11	Q1840825	1			Screw
11a	Q33008	1			Nut
12	WG1642840092	2			Hose II
13	Q150B0640	6			Screw
13a	Q40306	6			Spring washer
13b	Q40206	6			Washer
14	WG1630820073	1			Condenser assembly
15	WG1642820011	1			Bracket left for condenser
15a	WG1642828011	1		For drive right	Bracket left for condenser
15	WG1642820012	1			Bracket right for condenser
15a	WG1642828012			For drive right	Bracket right for condenser
16	Q150B0825	4			Screw
16a	Q40308	8			Spring washer
16b	Q40208	4			Washer
16c	Q340B08	4			Nut
17	WG1642820017	1			Condenser-receiver connect tube
18	WG1642820019	1			Evaporator-compressor connect tube
18	WG1642828019	1		For drive right	Evaporator-compressor connect tube
19	Q150B0625	2			screw
19	Q40306	2			Spring washer
19	Q40206	2			Washer
20	WG1642820015	1			Receiver tank
21	WG1642820018/1	1			Receiver-evaporator connect tube
22	WG1642820016	1			Compressor-condenser connect tube
22	WG1642828016	1		For drive right	Compressor-condenser connect tube
23	WG1630820019	1			Rubber sleeve
24	WG1630840032	1			Control panel
25	WG1630820313	1			Temperature sensor
26	AZ1630820312	1			Electrical line for air conditioner
70	WG1500139000	1			Compressor
70—1	WG1500139000/3	1			Compressor
71	1581C160018	2			Sleeve
72	AZ1500130018	1			Bracket
72	AZ1500130107	1		HINO engine	Bracket
73	Q150B10130	2			Screw
74	161500130027	1			Spacing plate
76	Q150B0825	2			Screw
77	Q40008	2			Washer
78	Q41808	2			Spring washer
79	AZ1500090026	1			Collar bolt
79	AZ1500130105	1		HINO engine	Collar bolt
80	Q40110	3			Washer
81	Q340B10	2			Flat nut
82	Q33208	1			Lock nut
83	WG1500130110	1		HINO engine	V-belt
83	WG1500130016	1		WD615	V-belt
83—1	WG1500130016/3	1		WD615	V-belt

C12-31

WINDSCREEN WASHING EQUIPMENT/风窗洗涤装置

Fig. C12-35



C12-31

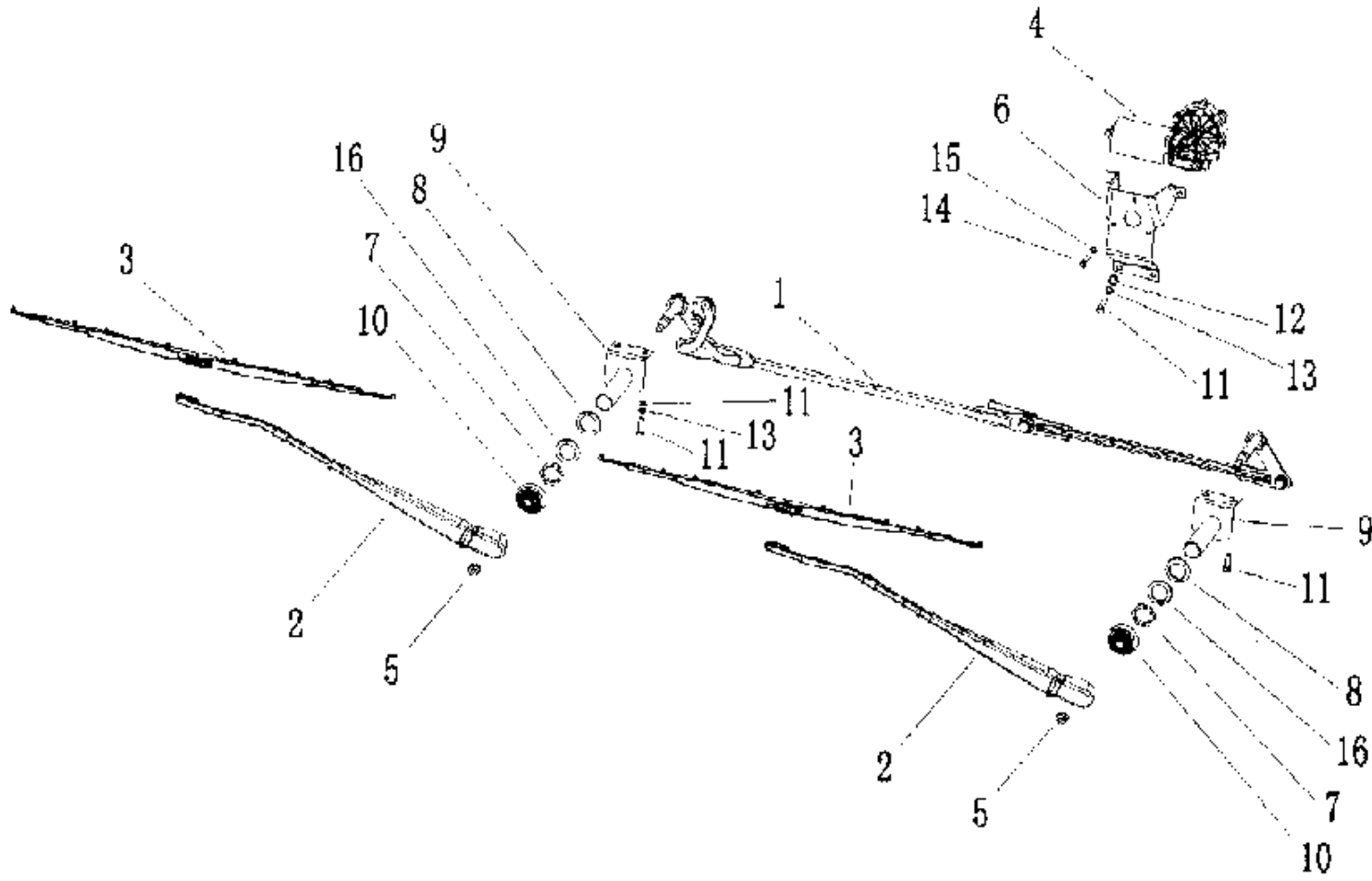
WINDSCREEN WASHING EQUIPMENT/风窗洗涤装置

No	Number of part	Quantity	Description	Applicability	Designation
1	Q340B06	2			Nut
2	Q40306	2			Spring washer
3	AZ1642860009	1			Bracket
3	AZ1646860005	1		For drive right	Bracket
4	WG1642860001/1	1			Washing equipment
4	WG1646860001	1		For drive right	Reservoir/pump
4-1	WG1642860001-1	1			Pump
4-2	WG1642860001-2	1			Cover
5	Q40308	2			Spring washer
6	340B08	2			Nut
7	Q150B0625	2			Screw
8	Q40206	2			Washer
9	Q40208	2			Washer
10	Q150B0830	2			Screw
11	AZ1642860007	2			Protect ring
12	AZ1642860003	2			Hose I
13	116100770121	1			V nozzle
14	AZ1642860005	1			Hose III
15	AZ1642860004	1			Hose II
16	AZ1600860121	1			Nozzle
17	WG1600860008	3			Clip
18	AZ1646860004	1		For drive right	Bracket

C12-32

WINDSCREEN WIPER/雨刮器

Fig. C12-36



C12-32

WINDSCREEN WIPER/雨刮器

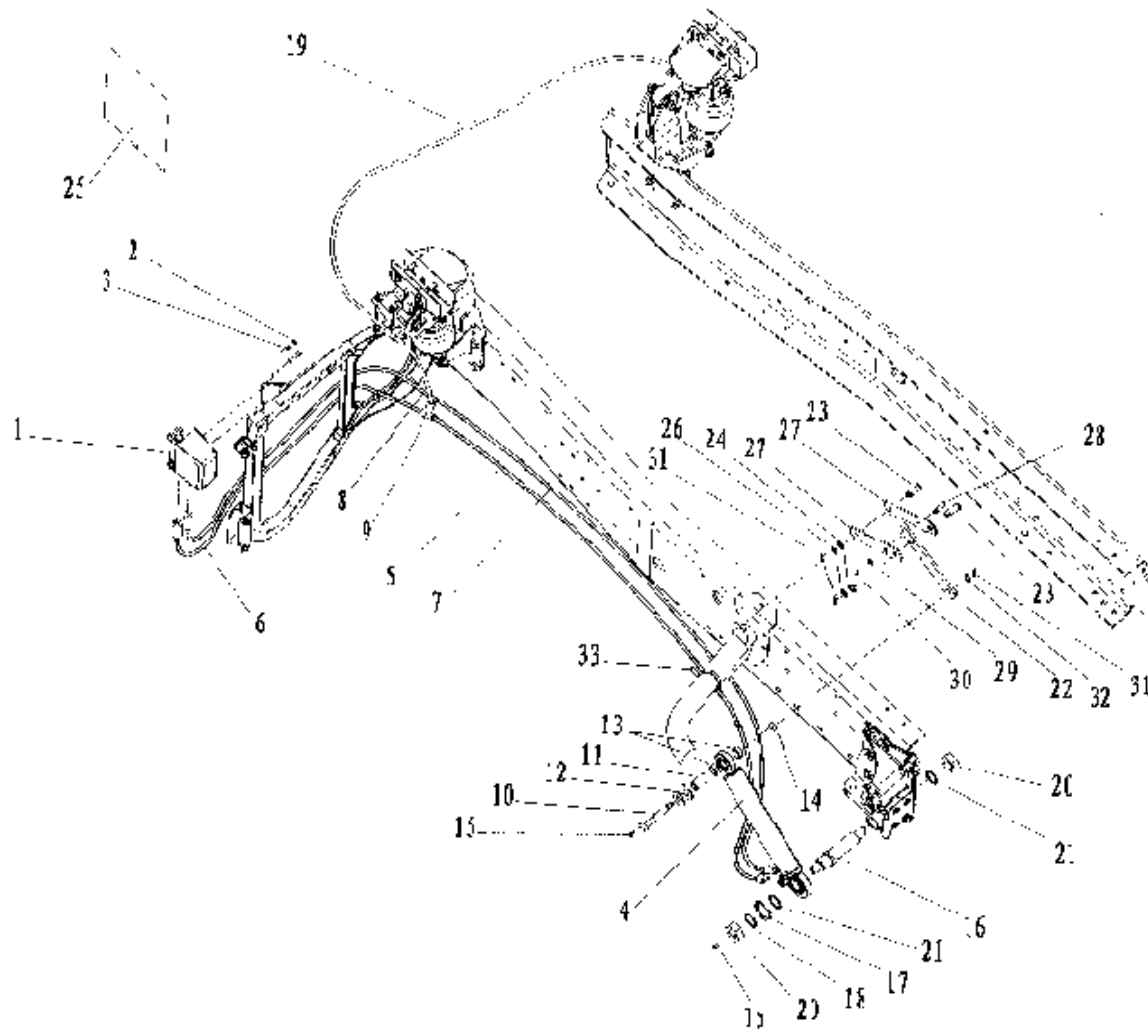
No	Number of part	Quantity	Description	Applicability	Designation
0	WG1642740002				Wiper (incl.1~5)
0	WG1646740002				Wiper (incl.1~5)
1	WG1642740009/1	1			Rod
1	WG1642740009/2	1		Option	Rod
1	WG1646740009	1		For drive right	Rod
2	WG1642740010/1	2			Wiper arm
2	WG1642740010/2	2		Option	Wiper arm
2	WG1646740001	1		For drive right	Wiper arm
3	WG1642740011/1	2			Wiper rubber
3	WG1642740011/2	2		Option	Wiper rubber
4	WG1642740008/1	1			Wiper anchor
4	WG1642740008/2	1		Option	Wiper anchor
5	Q33010	2			Lock nut
6	WG1642740003/1	1			Bracket for anchor
6	WG1642740003/2	1		Option	Bracket for anchor
7	AZ1642740004	2			Nut
8	AZ1642740005	2			Washer
9	AZ1642740006	2			Base
10	AZ1642740007	2			Protect cover
11	Q150B0812	8			Screw
12	Q40108	8			Washer
13	Q40308	8			Spring washer
14	Q150B0616	3			Screw
15	Q40306	3			Spring washer
16	Q40126	2			Washer



C12-33

TILTING EQUIPMENT/翻转装置

Fig. C12-37



C12-33

TILTING EQUIPMENT/翻转装置

No	Number of part	Quantity	Description	Applicability	Designation
1	WG9719820001	1			Hydr.hand pump
1	WG9719826001	1		For drive right	Hydr.hand pump
2	Q150B1020	2			Screw
3	Q40310	2			Spring washer
4	WG9719820002	1			Hydr.cylinder
5	WG9719821005	1		B,BR,C,CR	High pressure hose
5	WG9719820005	1		A,AR	High pressure hose
6	WG9719821006	1		B,BR,C,CR	High pressure hose
6	WG9719820006	1		A,AR	High pressure hose
7	WG9719820007	1			High pressure hose
8	WG1642440075	1			High pressure hose
9	190003559482	1			T-nozzle
10	AZ9719820008	1			Support shaft I
11	AZ9719820009	1			Bush
12	Q40216	1			Washer
13	AZ9719820012	2			Bush
14	190003888459	1			Lock nut
15	Q700B06	2			Grease nipple
16	AZ9719820010	1			Support shaft II
17	WG9719820011	1			Washer
18	Q40124	1			Washer
19	WG1642440072	1			Hose
20	Q33424	2			Lock nut
21	WG9719820013	2			Washer
22	AZ9719820021	1			Above brace
23	Q5101428	2			Bolt
24	Q40114	2			Washer
26	Q41814	2			Washer
27	AZ9719820022	2			Bottom brace
28	190003903452	1			Bolt
29	Q41710	1			Washer
30	Q5003216	1			Split pin
31	Q5004028	2			Split pin
32	Q40112	1			Washer
33	190003171356	15			Plastic circlip

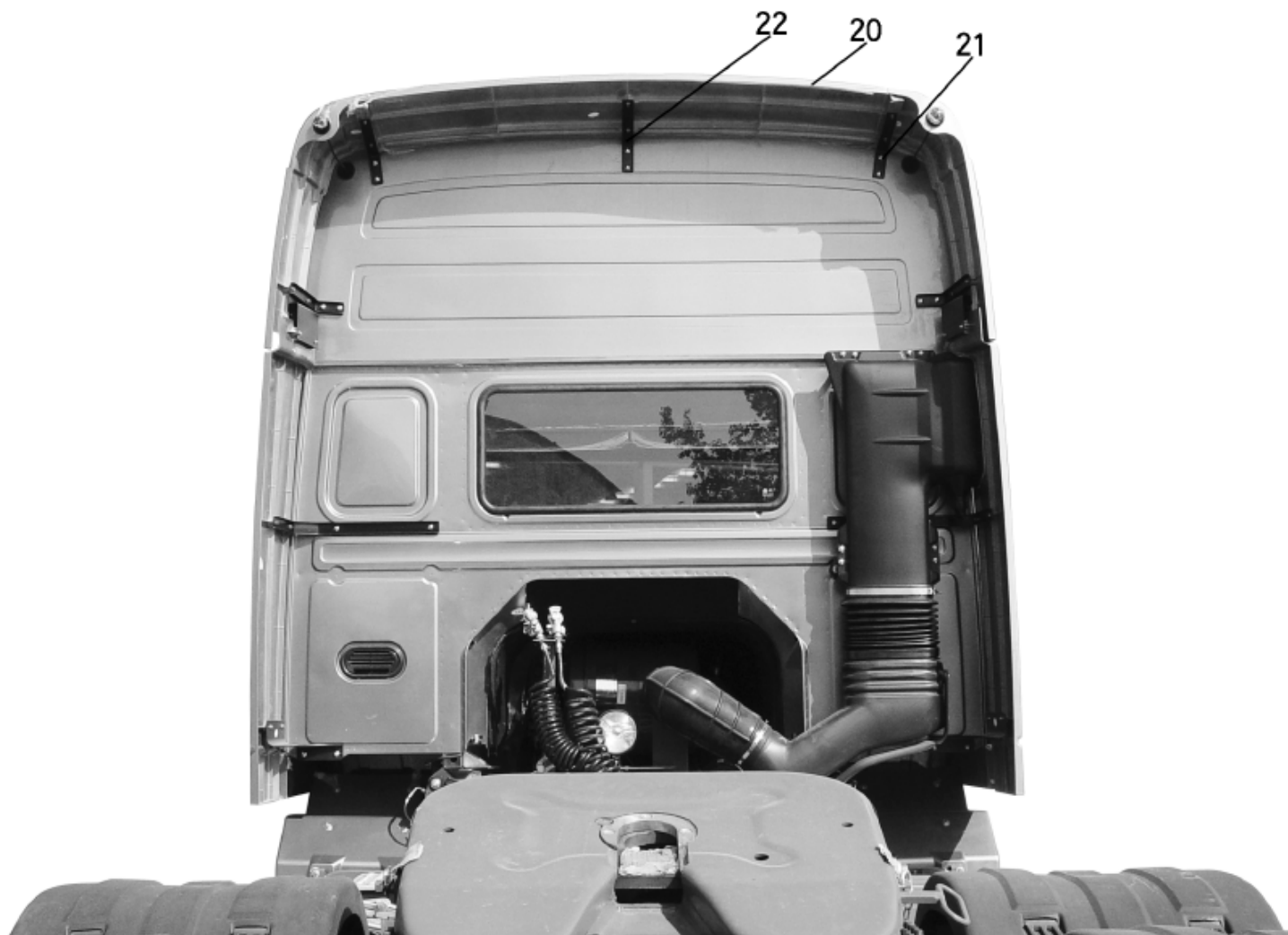


9a	Q150B0820	8			Screw
9b	Q40208	8			Washer
9c	Q40308	8			Spring washer
10	AZ1644870015	1			Bottom bracket right
10a	AZ1644870018	1			Bottom bracket left
10b	Q150B0820	8			Screw
10c	Q40208	8			Washer
10d	Q40308	8			Spring washer
11	AZ1630230125	4			Rubber pad
12	AZ1672870121	12			Rubber pad
13	AZ1642930061	2			Plate with nut
20	WG1644870016	1		For high-roof cab	Top wind sheet

C12-34

WING, WIND SHEET/导流罩, 导风板

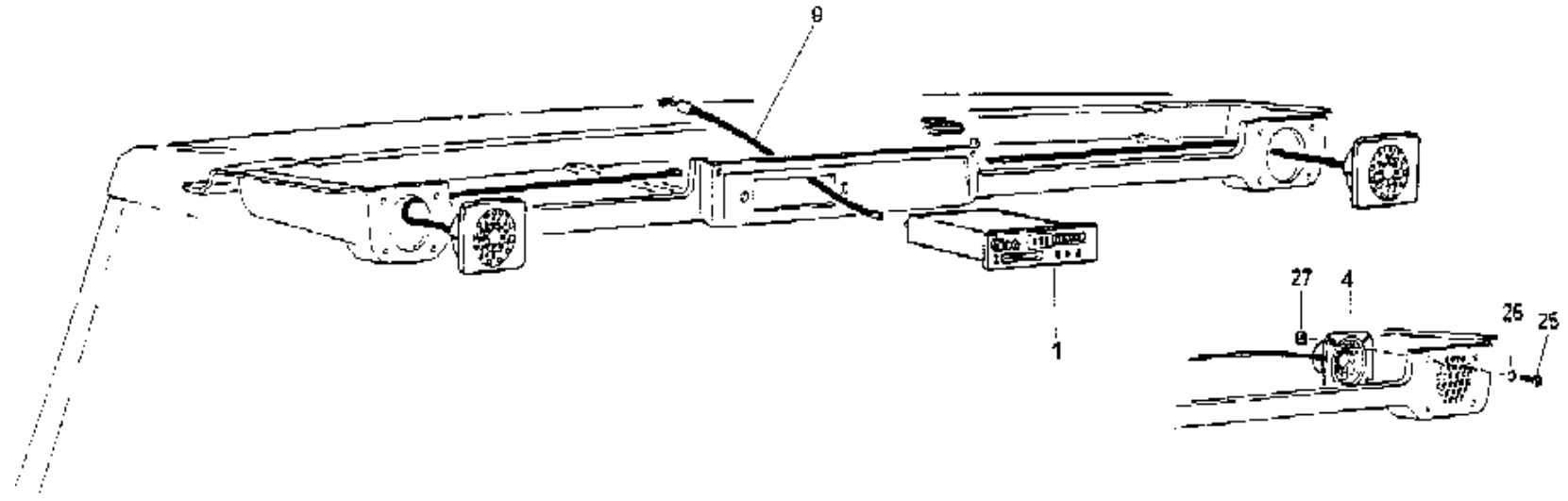
Fig. C12-38



C12-34

WING, WIND SHEET/导流罩, 导风板

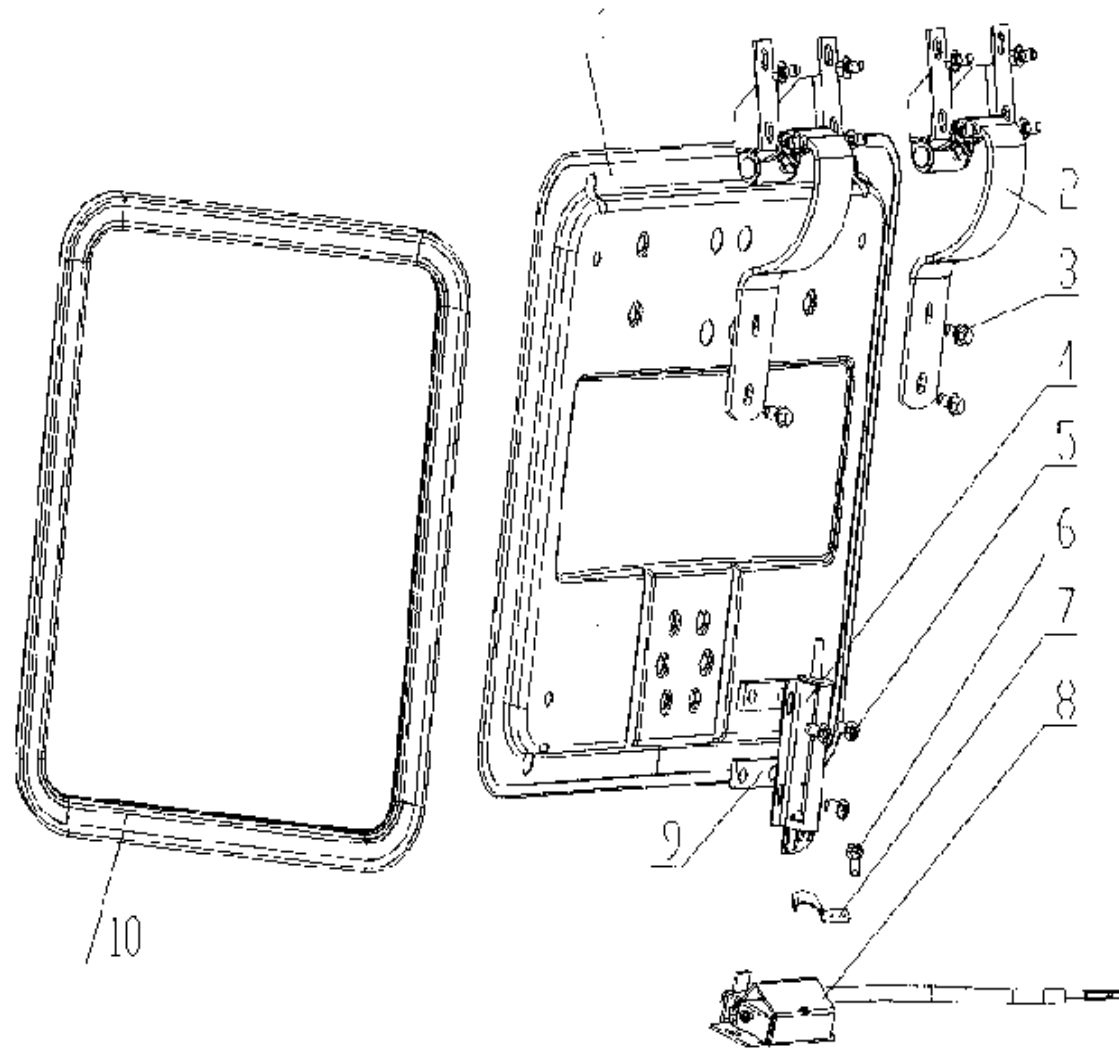
No	Number of part	Quantity	Description	Applicability	Designation
21	WG1644870017	4		For high-roof cab	Side bracket for top wind sheet
22	WG1644870020	1		For high-roof cab	Middle bracket for top wind sheet




C12-36

TOOL BOX FOR LONG AND HIGH-ROOF CAB/中长, 高顶驾驶室工具箱

Fig.C12-40



C12-36

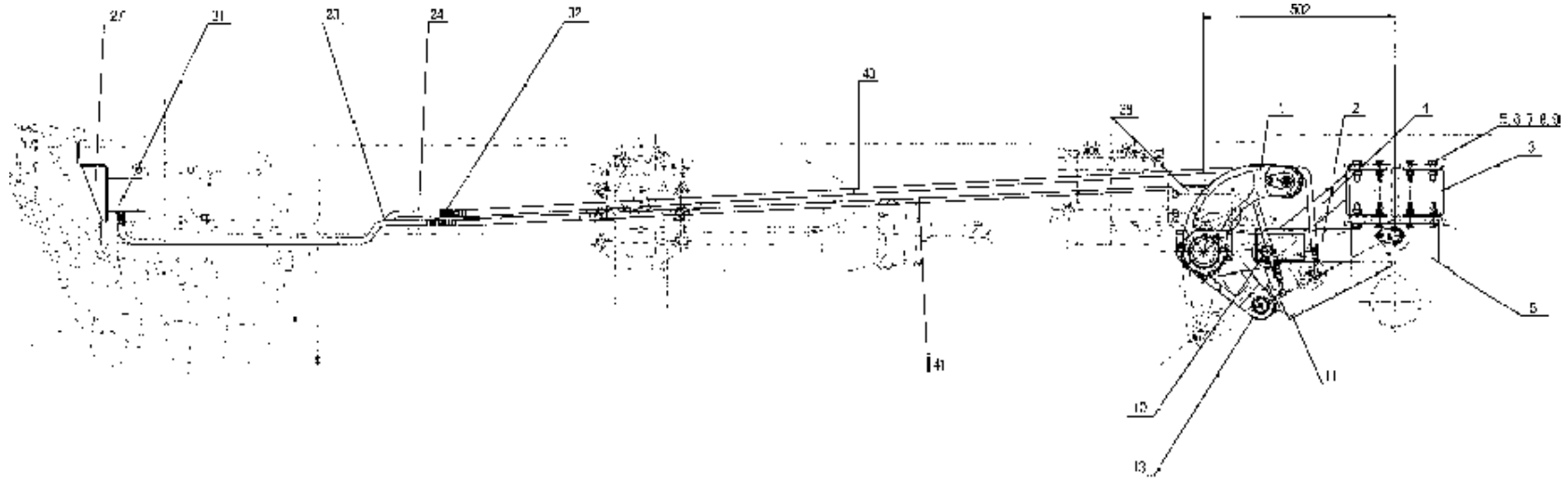
TOOL BOX FOR LONG AND HIGH-ROOF CAB/中长, 高顶驾驶室工具箱

No	Number of part	Quantity	Description	Applicability	Designation
1	WG1642270006	1			Cover for top window
2	WG1642290002	2			Hinge
3	Q1840612	12			Screw
4	WG1642290005	1			Locking pin
5	Q2100612	4			Screw
6	Q218B0616	2			Screw
7	Q68108	1			Clamp
8	WG1642290003	1			Lock of tool box
9	WG1642290004	2			Pad
10	WG1642290006	1			Sealing strip

C13-1

HYDRAULIC DEVICE FOR 6×2 TRAILING AXLE/后支承桥液压提升装置

Fig. C13-1



C13-1

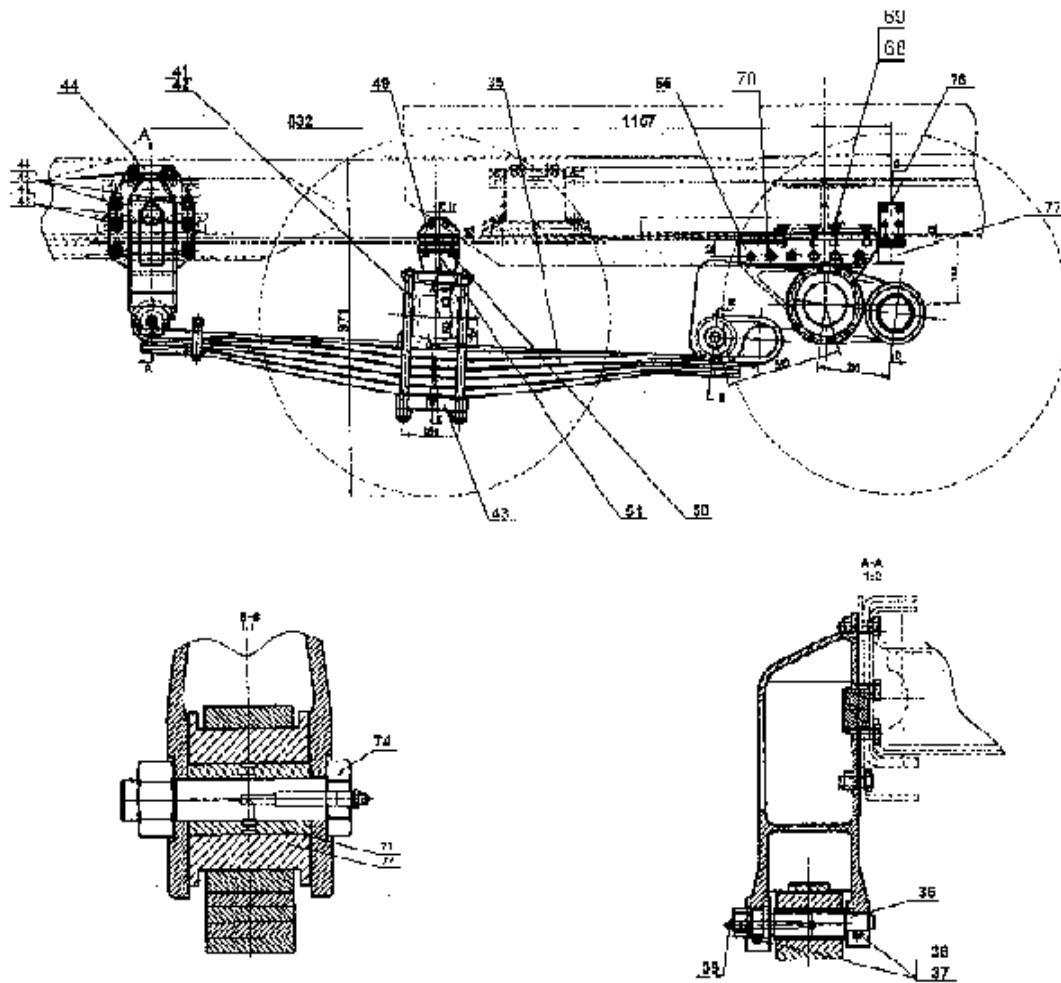
HYDRAULIC DEVICE FOR 6×2 TRAILING AXLE/后支承桥液压提升装置

No	Number of part	Quantity	Description	Applicability	Designation
1	AZ9725730010	1			Rotor
2	AZ9114730130	1			Bracket
3	AZ9725730005	1			Girder
4	AZ9725730004	1			Bracket
5	Q150B1240	10			Screw
6	Q150B1250	8			Screw
7	Q40112	18			Washer
8	Q40312	18			Spring washer
9	Q340B12	18			Nut
10	AZ9114730021	1			Pin
10a	Q40130	1			Washer
10b	Q5008050	1			Pin
11	WG9114730161	1			Hydraulic cylinder
12	Q43130	2			Circlip
13	AZ9114730022	1			Pin
13a	AZ9114730115	1			Washer
13b	Q5008060	2			Pin
15	AZ9114730023	1			Bolt
16	Q150B0816	1			Nut
17	Q40308	1			Spring washer
18	Q700B01	7			Grease nipple
19	Q80410	2			Nozzle
20	Q80414	2			Nozzle
21	Q72318T3	2			Gasket
22	Q72314	2			Gasket
23	AZ9725730025	1			Vitta( I )
24	AZ9725730026	1			Vitta( II )
25	Q80114	8			Nut
26	Q80014	8			Cutting ring
27	AZ9114730140	1			Bracket
28	Q340B08	4			Nut
29	Q40308	4			Spring washer
30	Q218B0870	4			Screw
31	WG9114730001	1			Hydraulic valve
32	AZ9114730145	2			Nozzle
33	Q150B0630	6			Screw
34	Q340B06	6			Nut
35	Q40206	6			Washer
36	Q40306	6			Spring washer
37	1397 350169	2			Angle
38	WG9114730002	2			Hose
39	1188 730187	6			Clamp
40	199100820050	1			Lashing
41	AZ9725730027	1			Pipe(III)
42	Q80314	2			Nozzle
43	AZ9725730028	1			Pipe(IV)

C13-2

6×2 REAR SPRING/6×2后悬挂

Fig. C13-2

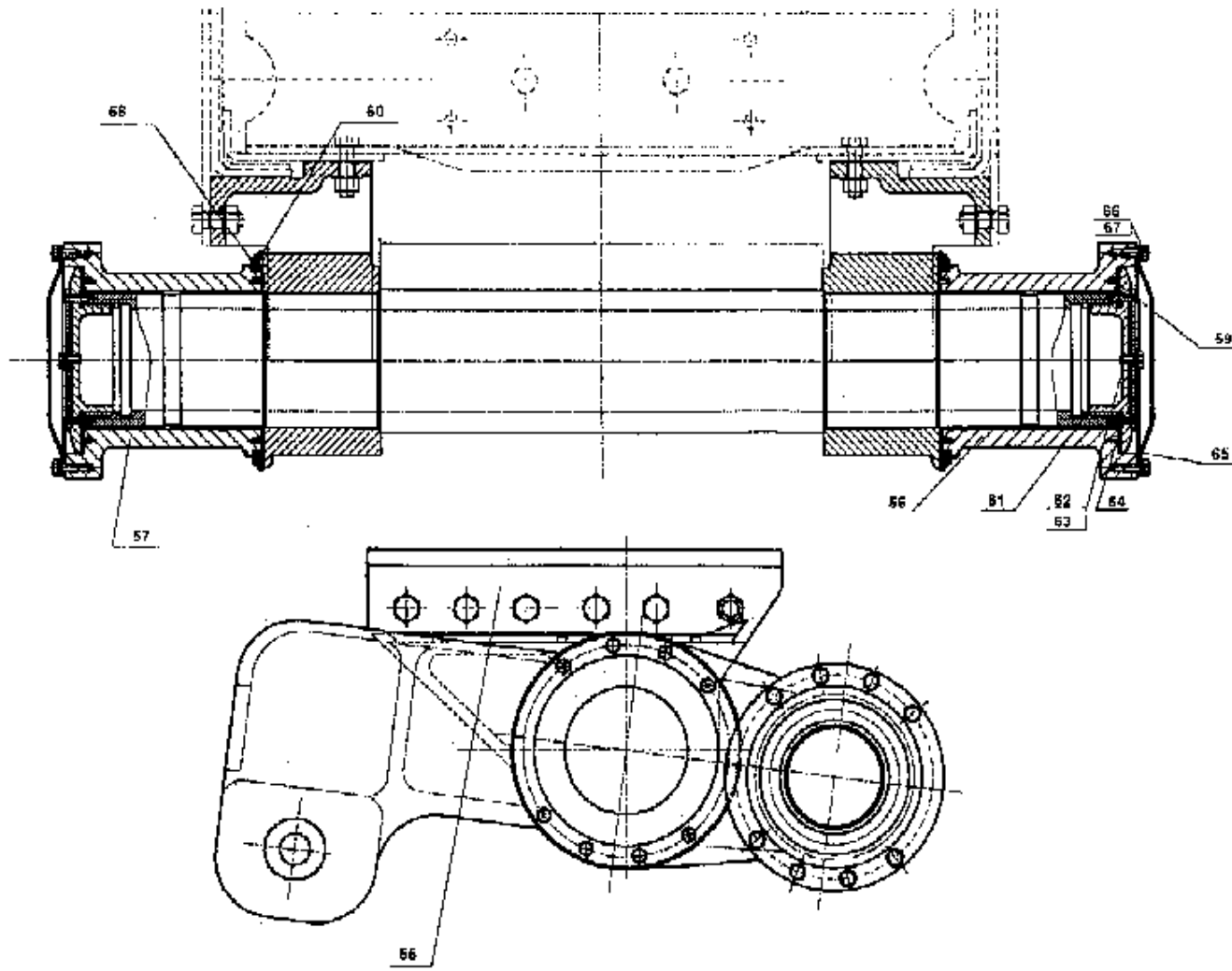


C13-2

6×2 REAR SPRING/6×2后悬挂

No	Number of part	Quantity	Description	Applicability	Designation
35	WG9725520030	1			6×2 rear spring left
35a	WG9725520031	1			6×2 rear spring right
36	AZ9114520075	2			Bolt
37	Q151C1290	4			Screw
38	190003888457	4			Nut
39	190003963124	4			Grease nipple
40	AZ9114520408	2			Plate
41	AZ9114520052	4			Spring clip
42	190003888630	8			Nut
43	AZ9114520376	2			Plate
44	AZ9725520028	2			Rear spring front hanger
45	Q151B1650	8			Screw
46	Q151B1655	4			Screw
47	Q151B1640	4			Screw
48	190003888459	16			Nut
49	199114520028	2			Bracket
50	199012520012	2			Plate
51	WG9012520011	2			Stop
52	Q33210	4			Nut
53	Q151B1035	4			Screw
54	Q2581035	4			Screw
55	AZ9725520032	1			Trailing axle C
68	Q151B1460	8			Screw
69	Q341B14T13F2	8			Nut
70	Q151B1655	12			Screw
71	190003888459	12			Nut
72	AZ9114520386	2			Rotate wheel
73	AZ9114520387	2			Bush
74	AZ9114520328	2			Pin
75	Q341B30	2			Nut
76	AZ9114520379	2			Stop bracket
77	12054520640	2			Stop
78	Q150B1250	4			Screw
79	Q150B1255	4			Screw
80	Q340B12	12			Nut
81	Q40312	12			Spring washer
82	AZ9624520380	2			Protect cover for stop

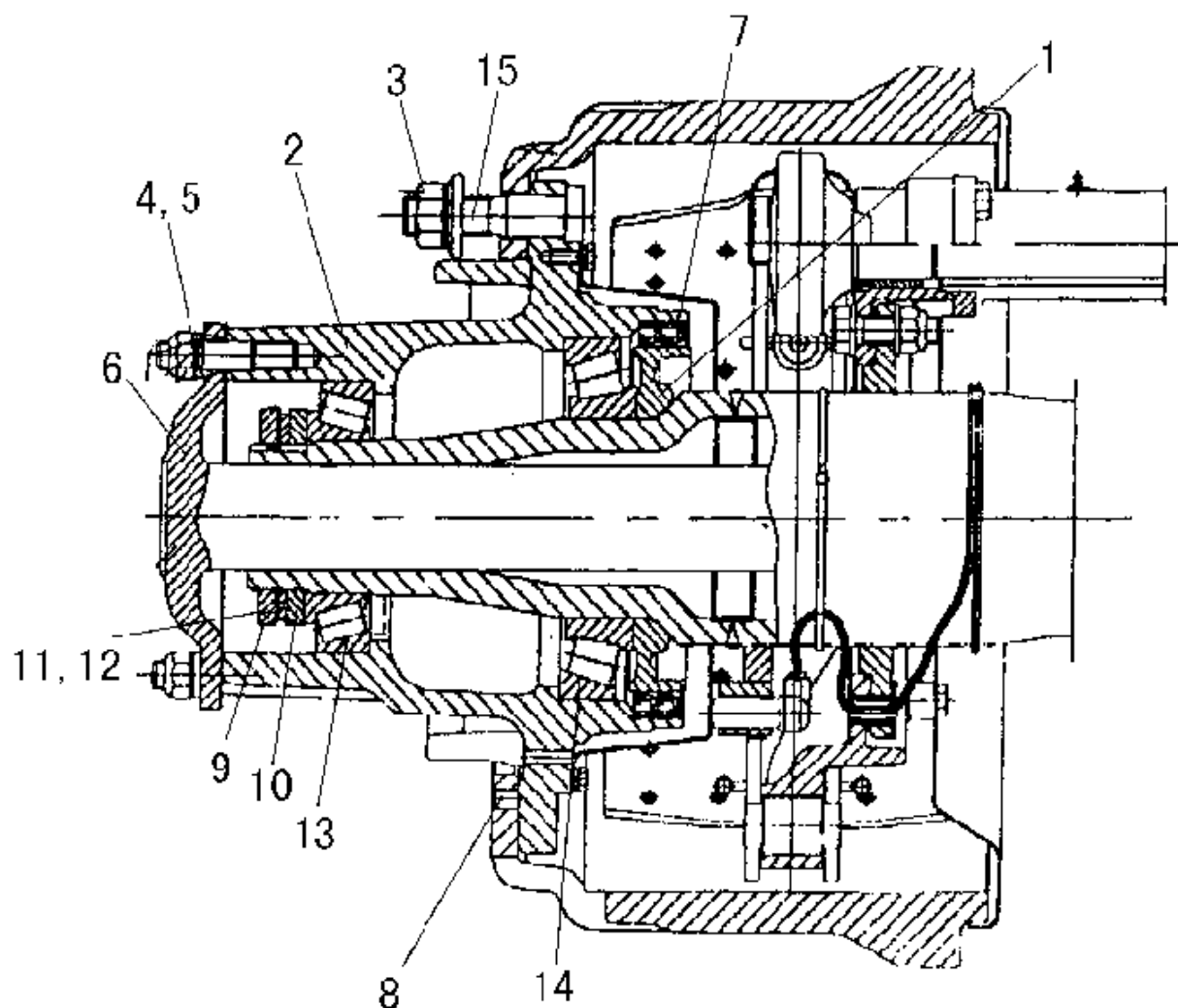





C13-4

WHEEL HUB OF TRAILING AXLE/支承轴轮毂

Fig.C13-4



C13-4

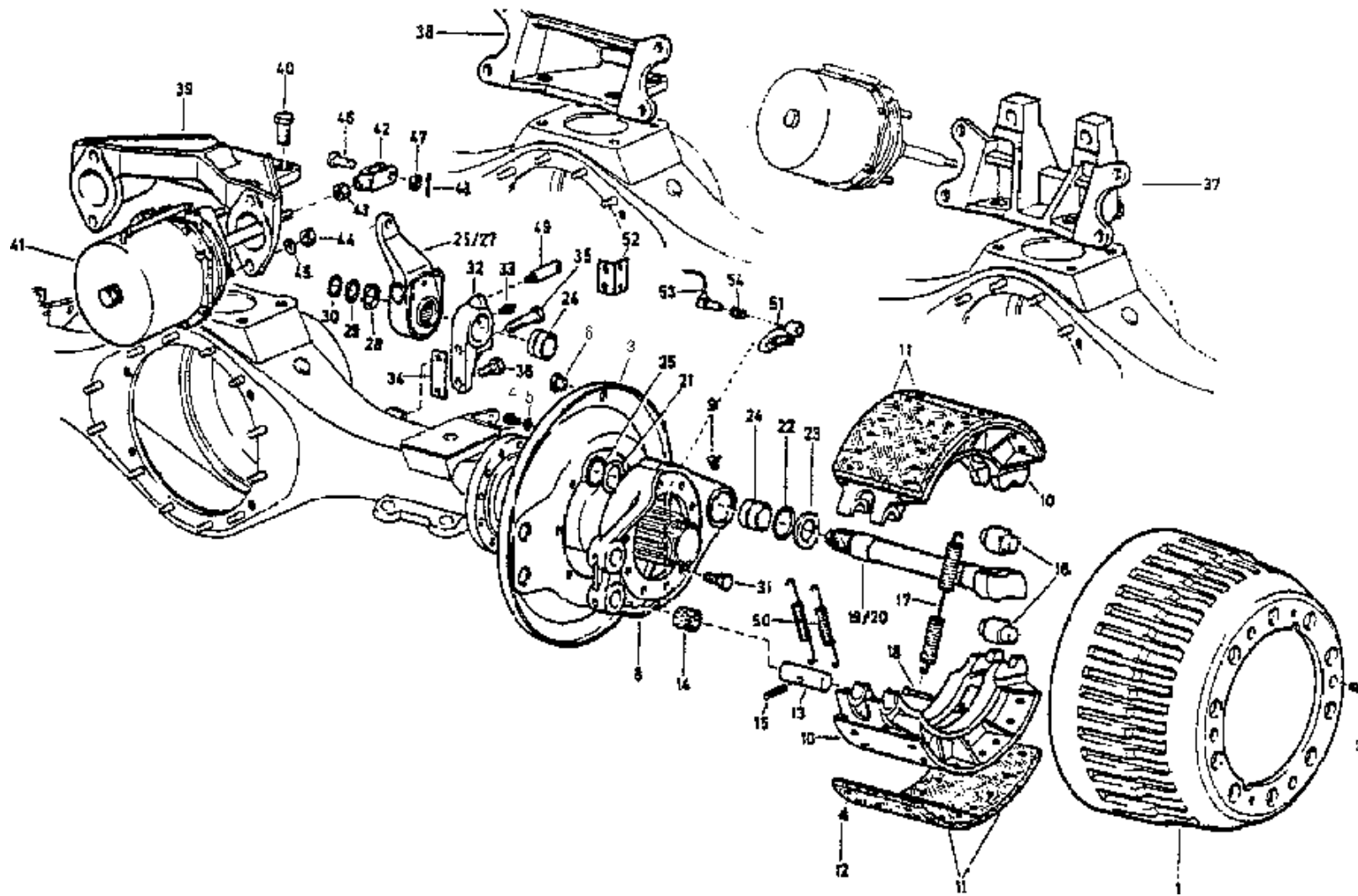
WHEEL HUB OF TRAILING AXLE/支承轴轮毂

No	Number of part	Quantity	Description	Applicability	Designation
1	AZ9111340017	2			Spacer
2	AZ9111340082	2			Rear wheel hub
3	WG9003884160	20			Wheel nut
4	Q150B0816	16			Screw
5	Q40308	16			Spring washer
6	AZ9114340043	2			Cover
7	190003078956	2			Gasket
8	Q2541025	4			Screw
9	1227P1186	2			Outer adjusting nut
10	1227N1184	2			Inter adjusting nut
11	1229M3003	2			Locking sheet
12	AZ9017334673	2			Locking sheet
13	32217	2			Bevel roller bearing
14	190003326067	2			Bevel roller bearing
15	WG9107340002	20			Wheel stud

C13-5

BRAKE OF TRAILING AXLE/支承轴制动器

Fig. C13-5



C13-5

BRAKE OF TRAILING AXLE/支承轴制动器

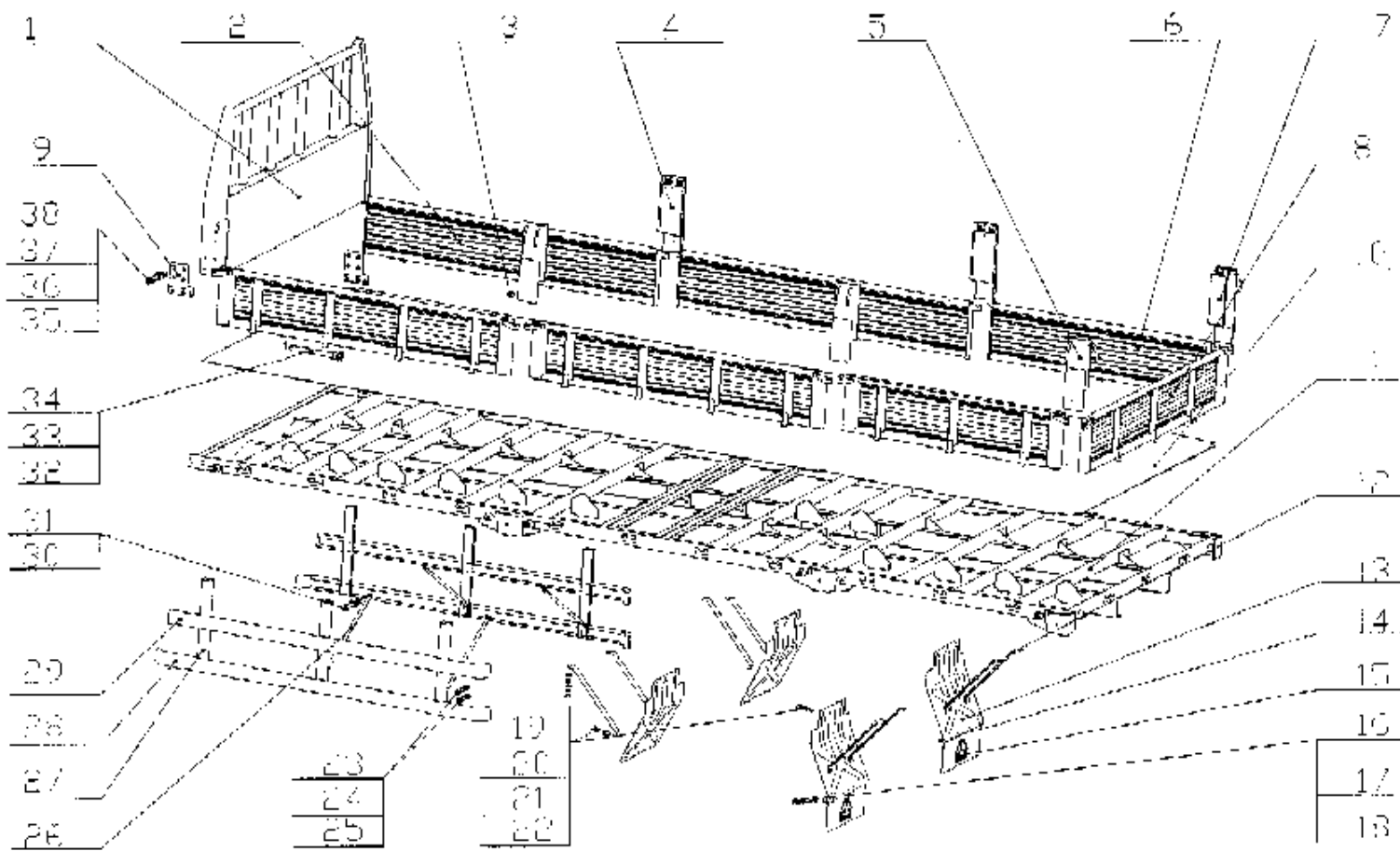
No	Number of part	Quantity	Description	Applicability	Designation
1	AZ9112340006	2			Brake drum
2	190003825513	4			Screw
3	1880 34 0018	2			Brake cover
4	150B0816	12			Screw
5	Q40308	12			Spring washer
6	1880 340037	2			Seal-ring
8	AZ9107340062	2			Brake anchor
9	190003963114	4			Grease nipple
10	199000340070	4			Brake shoe C
10-1	199000340061	4			Brake shoe
11	WG9200340068	8			Brake Lining
12	189000340068	64			Rivet
13	199000340064	4			Bolt
14	18880 34 0016	4			Bush
16	199000340027	4			Pressure roller
17	AZ9100340012	2			Spring
18	1880 44 0032	4			Bolt
19	199112340026	1			Brake camshaft left
20	199112340027	1			Brake camshaft right
21	1880440010	2			Washer
22	1880340023	2			Gasket
23	1880440010	2			Washer
24	WG9100340017	4			Bush
25	190003933300	2			Snap ring
26	199100340003	1			Rod adjusting device left
27	199100340004	1			Rod adjusting device right
28	1880340022	2			Washer
29	1880320028	nB			Shim
29	1880320029	nB			Shim
29	1880320030	nB			Shim
29	1880320046	nB			Shim
30	190003933116	2			Circlip
31	Q151B1635TF2	20			Screw
32	199014340041	2			Bracket
33	190003963112	2			Grease nipple
34	1880340031	nB			Shim
34	1880340032	nB			Shim
34	1880340033	nB			Shim
34	1880340034	nB			Shim
34	13809470031	nB			Shim

34	13809470032	nB			Shim
34	13809470033	nb			Shim
37	AZ9114340061	1			Bracket left
37a	AZ9114340062	1			Bracket right
40	Q151B2040TF2	4			Screw
41	WG9100360011	2			Diaphragm cylinder
46	190003903661	2			Bolt
47	Q40114	2			Washer
48	Q5004022	2			Split pin

C14-1

CARGO BODY/车厢

Fig. C14-1



C14-1

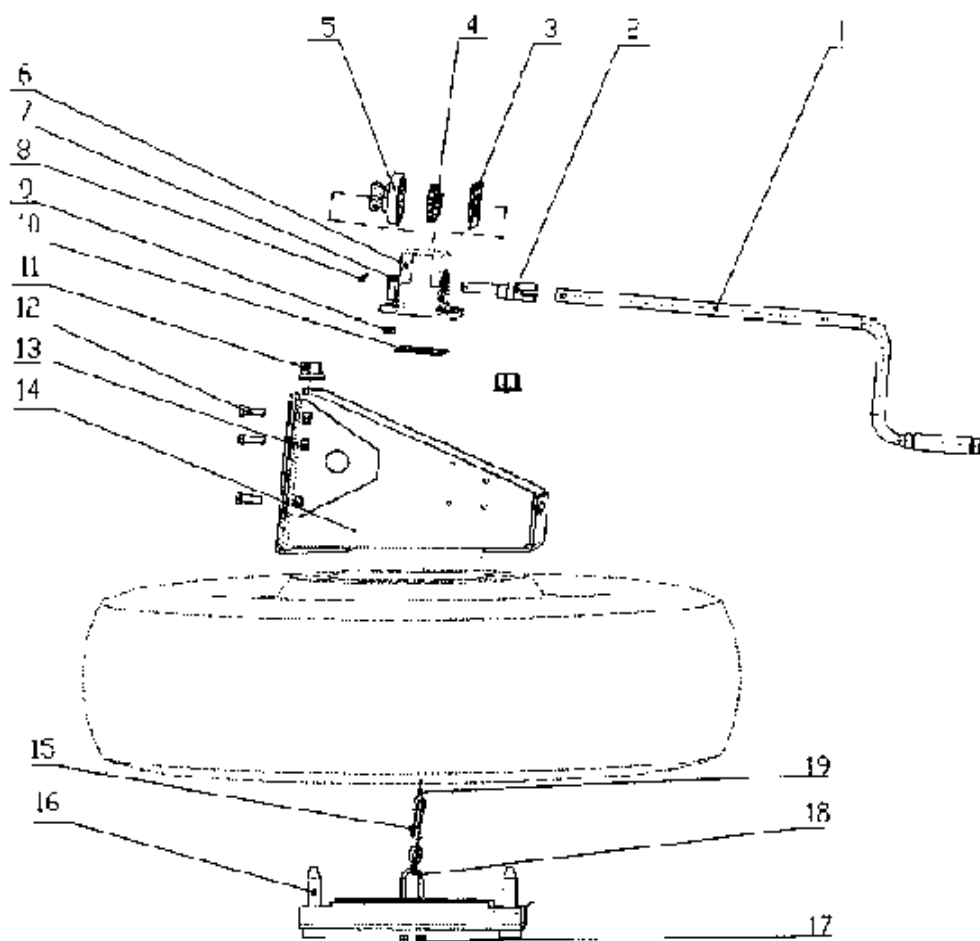
CARGO BODY/车厢

No	Number of part	Quantity	Description	Applicability	Designation
1	CZ9114505220	1			Front board
2	DZ9725500115	4		ZZ1257S4341W	Side board
3	Q2140612	6			Screw
4	CZ9114505230	4			Middle strut
5	CZ9114505233	1			Rear strut left
6	CZ9725500117	2			Side board
7	CZ9114505234	1			Rear strut right
8	DZ9725500119	1			Rear board
9	17017500021	2			Connecting plate
10	AZ9725500202	1		ZZ1257S4341W	Bottom board
11	DZ9725500101	1		ZZ1257S4341W	Frame
12	17017950004	8			Support
13	11600950004	4			Rear mudguard
14	17017950006	4			Strap
15	11600950003	2			Rubber madguard
16	Q150B0620	8			Screw
17	Q340B06	8			Nut
18	Q40306	8			Spring washer
19	Q150B0822	22			Screw
20	Q340B08	22			Nut
21	Q40108	22			Washer
22	Q40308	22			Spring washer
23	Q340B08	24			Nut
24	Q40108	24			Washer
25	Q40308	24			Spring washer
26	AZ9725990201	4			Support
27	AZ9114992007	6			Bar
28	AZ9114992005	2		ZZ1257S4341W	Side protector
29	AZ9114992003	2		ZZ1257S4341W	Side protector
30	Q150B1230	4		ZZ1257S4341W	Screw
31	Q33212	4		ZZ1257S4341W	Nut
32	Q51016115	25		ZZ1257S4341W	Bolt
33	Q40116	25		ZZ1257S4341W	Washer
34	Q5004020	25		ZZ1257S4341W	Split pin
35	Q150B1435	18		ZZ1257S4341W	Screw
36	Q340B14	18		ZZ1257S4341W	Nut
37	Q40114	18		ZZ1257S4341W	Washer
38	Q40314	18S		ZZ1257S4341W	Spring washer

C15-1

SPARE WHEEL CARRIER/备轮架

Fig. C15-1



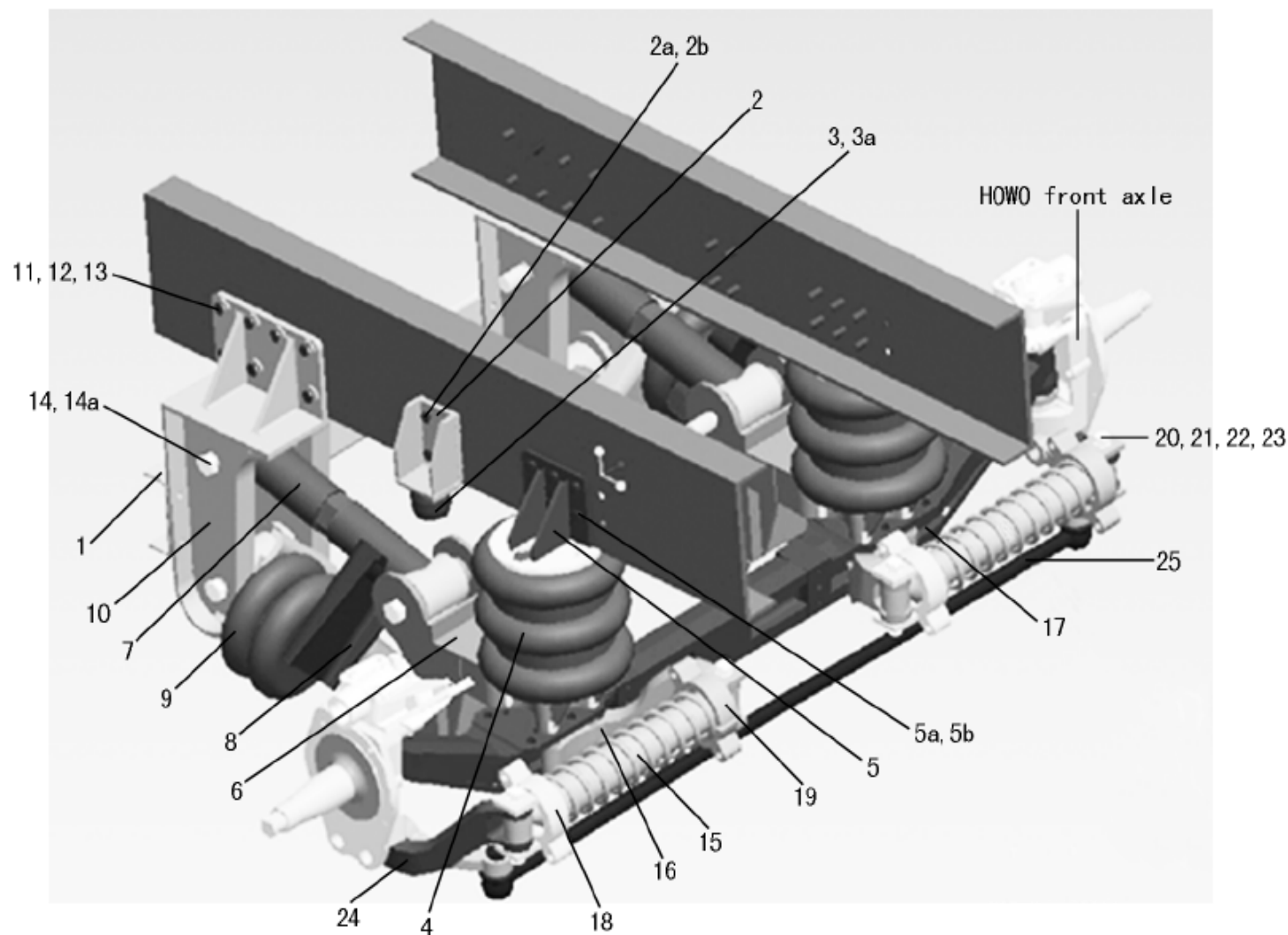
C15-1

SPARE WHEEL CARRIER/备轮架

No	Number of part	Quantity	Description	Applicability	Designation
0	AZ9719860018	1		Incl.2~10,15~19	Drive device
1	AZ9719860014	1			Cranker
2	AZ9719860012	1			Shaft
3	17017860022	1			Locking sheet
4	17017860023	1			Drive wheel
5	17017860024	1			Driven wheel
6	AZ9719860007	1			Housing
7	Q150B1035	4			Screw
8	Q5004030	1			Split pin
9	Q33210	4			Nut
10	17017860027	1			Coveer
11	WG9003884160	2			Wheel nut
12	Q150B1235	6			Screw
13	Q33212	6			Nut
14	AZ9719860021	1			Bracket
15	17017860031	1			Cable
16	AZ9112860046	2			Screw
17	Q340B08	4			Nut
18	AZ9112860097	1			Hook
19	Q5004030	1			Split pin

C16-1 TRAILING AXLE WITH AIR SUSPENSION, SELF STEERING, PNEUMATIC LIFTING DEVICE  
可提升自转向空气悬挂支承桥

Fig. C16-1



C16-1 TRAILING AXLE WITH AIR SUSPENSION, SELF STEERING, PNEUMATIC LIFTING DEVICE  
可提升自转向空气悬挂支承桥

No	Number of part	Quantity	Description	Applicability	Designation
0	AZ9738520000	1			HOWO air suspension assembly
1	AZ9738520011	1			Cross member
1a	Q151B1460	8			Screw
1b	190003888458	8			Nut
2	AZ9738520001	2			Stop bracket
2a	Q151B1245	6			Screw
2b	190003888457	6			Nut
3	WG9012520011	2			Sotp
3a	Q2541020	4			Screw
4	AZ9636520009	2			Siphon C
4a	Q151B0825	4			Screw
4b	Q40108	4			Washer
5	AZ9738520006	2			Top cover
5a	Q151B1460	12			Screw
5b	190003888458	12			Nut
6	AZ9738520010	1			Support left
6a	AZ9738520013	1			Support right
6b	WG9636520048	4			Washer
6c	Q151B20120TF2	4			Screw
6d	190003888467	4			Nut
6e	AZ9636520024	2			Positioning pin
7	AZ9636520024	1			Top brace rod left
7a	AZ9636520033	1			Top brace rod right
8	AZ9636520027	1			Bottom brace rod left
8a	AZ9636520034	1			Bottom brace rod right
9	AZ9636520007	2			Lifting siphon
9a	Q151B0825	4			Screw
9b	Q40108	4			Washer
10	AZ9738520008	1			Bracket left
10a	AZ9738520009	1			Bracket right
11	AZ9636520021	16			Plastic washer
12	Q151B1660	16			Screw
13	190003888459	16			Nut
14	AZ9636520028	8			Bolt
14a	190003888749	8			Nut
15	AZ9738520014	2			Shock absorber

15—1	AZ9738520014-1	2			Spring
16	AZ9636520035	1		For shock absorber	Bracket right
17	AZ9636520036	1		For shock absorber	Bracket left
17a	Q151B20200TF2	4			Screw
17b	190003888467	4			Nut
17c	WG9636520029	4			Washer
18	AZ9636520019	2			Spring seat left
19	AZ9636520045	2			Spring seat right
20	AZ9636520046	8			Bush
21	AZ9636520022	4			Bolt
22	Q381B18	4			Nut
23	Q5000445	4			Split pin
24	AZ9636410061	1			Bracket left
24a	AZ9636410060	1			Bracket right
25	AZ9100430218	1			Tie rod
26	AZ9128710002	1			Pneutronic valve
27	AZ9632710001				Bracket for pneutronic valve