

TRUCKS AND BUSES

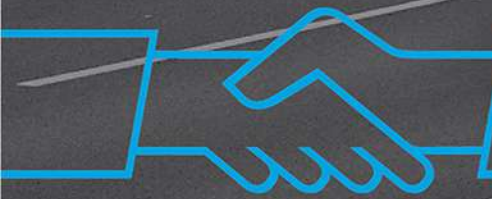


EXPERIENCE THE EXTREME.

Eicher Pro 8055
The 55 Ton GCW Tractor



EU[↑]TECH 6



EUTECH 6

Eicher is creating a new benchmark in the Indian commercial vehicle industry, with a revolutionary BSVI solution that combines global technology with innovative support services. This solution not only makes your vehicle BSVI compliant but also ensures higher productivity of the truck and profitability of your business.



Euro VI Expertise for 6 years

VECV has been manufacturing and supplying base engines to the Volvo Group since 2013. Over 1,00,000 Euro VI base engines supplied, operating in 41 countries. First to roll-out BSVI CV range in India, incorporating expertise of Euro VI technology.



Efficient EATS and engine technology

Best fluid economy: Lower fuel consumption + DEF consumption combined. Reliable EATS + engine technology tested for over 56,00,000 km. Duty cycle based SCR for high reliability & low maintenance.



Enhanced UPTIME

Eicher Uptime Centre for 24x7 support by specialists. GPS-enabled service vans just a phone call away. Remote diagnostics for quick repair of BSVI vehicles.



COMPACT BOX TYPE EATS FOR EFFICIENT THERMAL MANAGEMENT



The new Eicher Pro 8055 is the next-gen 55T GCW articulated Tractor powered with proven VEDX8 engine delivering 350 hp meant for developing mid-premium segment that requires a higher power and torque combination and superior driver comfort. These superior levels will completely revolutionize the way you look at trucks and help to **Experience the Extreme.**

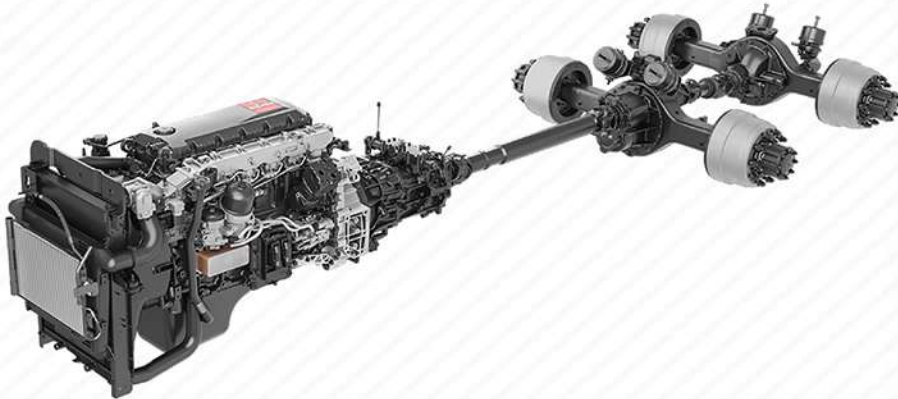




More Km per Litre.

The new Eicher Pro 8055 is built to deliver best-in-class fuel efficiency, thereby reducing the overall operational costs and increasing profitability.

With the proven **VEDX8 engine** and Volvo Group's EMS, Pro 8055 is capable of delivering flat torque curve over a wide range of rpm and high torque at low revolutions for unmatched fuel efficiency, longer life and superior performance.



More Trips. Faster Turnaround.

Our trucks are made with robustness and strength built in every component. Built with robust and **optimized driveline**, Pro 8055 delivers more power & **higher torque at wheels** for faster turnaround and running extra miles.

The high tensile strength roll-form **DOMEX chassis** provides superior torsional strength, flexibility and **high payload ability**.



Superior Uptime.

For applications that are critical, you need trucks that are on road and available to haul always. Eicher Pro 8055 is **designed and rigorously tested** for delivering high performance in tough and challenging conditions.

Built with strong and robust aggregates and world-class features like Engine Protection System and engine brake, Pro 8055 offers higher reliability, durability and more product life. Clubbed with the **fully equipped Eicher Service Network**, preventive maintenance is ensured thus, delivering superior uptime.



More Comfort. Longer Drives.

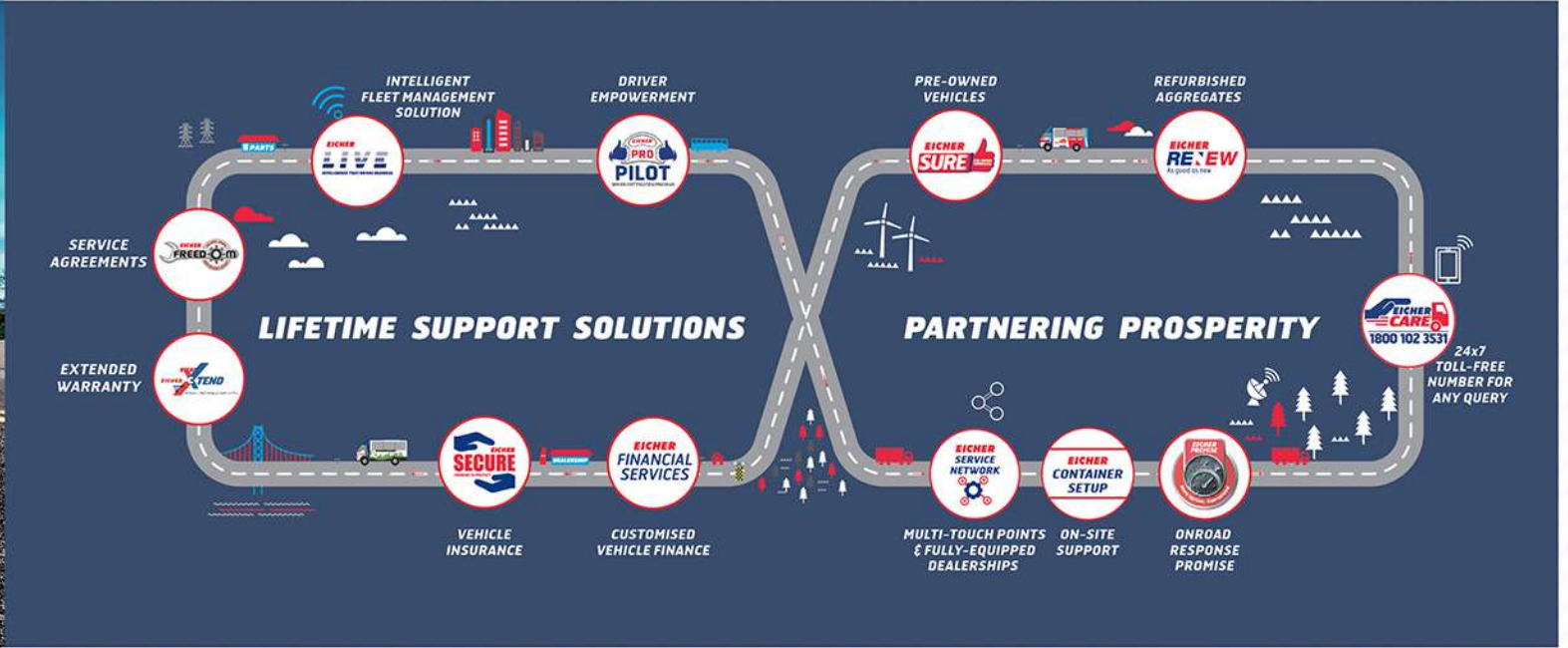
Pro 8055 has been designed keeping in mind the tough conditions the drivers have to work in. The **globally used cabin** meets the stringent **European safety standards ECE R29** for cab strength test. It is safe, comfortable and spacious for the driver to drive extra distances.

The modern, aerodynamically designed and practical cabin with 4 point suspension, wider windscreen and all-side mirrors ensures that the driver enjoys every ride and delivers maximum productivity.



Lifetime Support Solutions.

With our Lifetime Support Solutions, we ensure a seamless and hassle-free experience from the time you consider buying an Eicher vehicle to the time you think of selling it. Our continuously improving and holistic services will ensure higher uptime and productivity for your BSVI vehicles.



Eicher has taken a step towards achieving Superior Uptime with a responsive attitude, that will set us apart and create a differentiated experience for our customers. With our new Uptime Center and Uptime Certified Workshops, we are now geared up with a proactive support system for diagnostic assistance with advanced diagnostic tools.

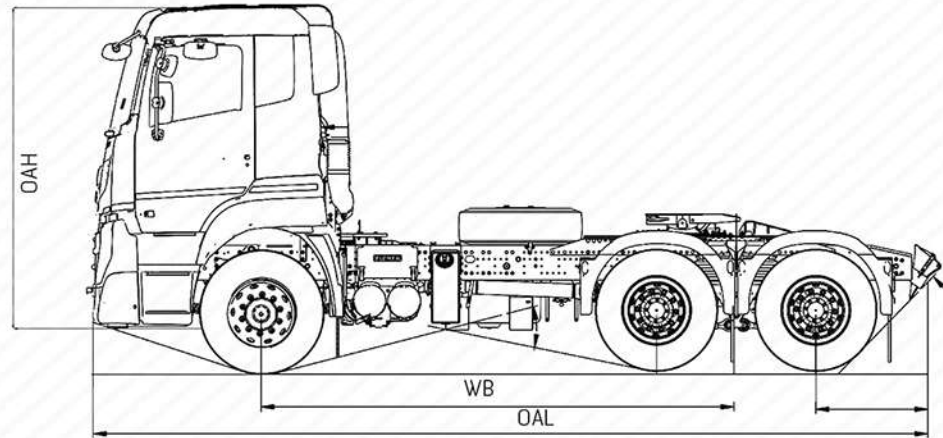
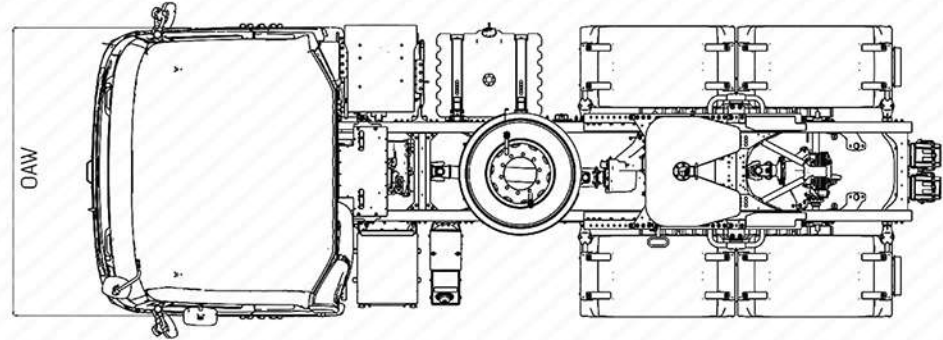


At Uptime Certified Workshops only
*T&C Apply



Model Eicher Pro 8055

GCW (kg)	55000
Engine Model	VEDX8, 6 Cylinder, BSVI
Max. Power	350 hp @ 2200 rpm
Max. Torque	1350 Nm @ 1200-1600 rpm
Clutch (mm)	430, Organic Clutch
Transmission	ET140S9
Chassis Dimension (mm)	300X90X8
Brakes	Dual Circuit Full Air 's' cam with ABS
Rear Axle (mm)	440 Hub Reduction
FDR	6.37
Suspension	Front: Parabolic; Rear: Bogie
Tyres	11R20-16PR
Fuel Tank (L)	350; Polymer Tank
DEF Tank (L)	50
Battery (V)	24
Gradeability (%)	42
Wheelbase (mm)	4085
Applications	ODC, Tip Trailers, Bulker



Vehicle Model	Wheelbase (WB) mm	Overall Length (OAL) mm	Overall Width (OAW) mm	Overall Height (OAH) mm
Pro 8055 (CBC)	4085	7195	2590	3325

VE COMMERCIAL VEHICLES
A VOLVO GROUP AND EICHER MOTORS JOINT VENTURE

eichertrucksandbuses.com, Eicher Care: 1800 102 3531

VE COMMERCIAL VEHICLES LTD.
Registered Address – 3rd Floor Select Citywalk,
A -3 District Centre, Saket, New Delhi 110017, India.
CIN – U74900DL2008PLC175032

CORPORATE ADDRESS
Eicher Trucks & Buses
#96, Sector – 32, Gurgaon
122001, Haryana, India.

Caution: *Do not weld or drill on chassis frame. *Accessories and features shown in pictures or elsewhere may not constitute standard fitment. *Weight mentioned is for standard configuration with standard body sizes and will change due to optional fitments. *As a result of continuous research and innovation carried out, specifications are merely indicative and are subject to change without notice.