

TRUCKS AND BUSES



PROFITABLE FOR LIFE.

Eicher Pro 6035

The 35 Tonne GVW Truck



EUTECH6



EUTECH 6

Eicher is creating a new benchmark in the Indian commercial vehicle industry, through a revolutionary BSVI solution that combines global technology with innovative support services. This solution doesn't just make your vehicle BSVI compliant but ensures higher productivity of the truck and profitability of your business.



Euro VI Expertise for 6 years

VECV has been manufacturing and supplying base engines to the Volvo Group since 2013. Over 1,00,000 Euro VI base engines supplied, operating in 41 countries. First to rollout BSVI CV range in India, incorporating expertise of Euro VI technology.



Efficient EATS and engine technology

Best fluid economy: Lower fuel consumption + DEF consumption combined. Reliable EATS + engine technology tested for over 56,00,000 km. Vanadium based SCR for high reliability & low maintenance.



Enhanced UPTIME

Eicher Uptime Centre for 24x7 support by specialists. GPS enabled service vans just a phone call away. Remote diagnostics for quick repair of BSVI vehicles.



COMPACT BOX TYPE EATS FOR EFFICIENT THERMAL MANAGEMENT

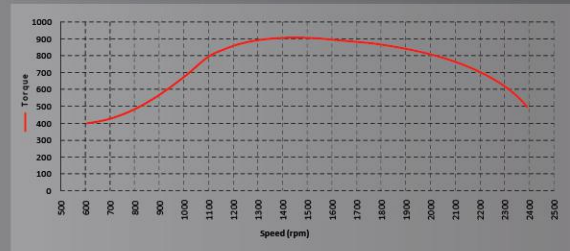


The new Eicher Pro 6035 is the 35 Tonne GVW rigid haulage truck, powered with the proven VEDX5 engine delivering the best power and torque combination in its segment. It offers best-in-class fuel efficiency, maximum payload and optimized performance making Eicher Pro 6035 *Profitable for Life*.



More Km per Litre.

The new Eicher Pro 6035 is designed to deliver best in class fuel efficiency thereby reducing the overall operational costs and increase profitability. The proven **VEDXS** engine clubbed with Volvo Group's EMS, delivers **high peak torque over a wide range of RPM**, thereby resulting in more trips with lesser fuel consumption.



FIE system



Volvo Group's EMS



ESS compressor



- » Proven VEDX5 CRS Engine- 240HP @2200 RPM
- » Flat torque delivery of 900 Nm over a wide rpm range (1200-1600 rpm)
- » 'M Booster+' to optimize acceleration and maximize fuel efficiency
- » First in industry **Fuel coaching** providing real time guidance for improved driver efficiency and fuel economics
- » Energy saving components like Viscotronic fan, ESS compressor

More Trips. Extra Miles.

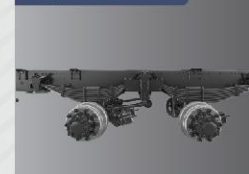
Robust, rigorously tested and **optimized driveline** delivers more power and higher torque which enables higher productivity. **Quick gear shifts**, minimal RPM and torque disruptions enable better pick up. High torque to weight ratios ensures **outstanding gradeability**. All this together leads to **faster turnaround** and more trips.

- » High power to weight ratio for increased load pulling ability.
- » Modular DOMEX chassis for high tensile strength.
- » Parabolic suspension with Anti roll bar at front for better vehicle stability at sharp turns.
- » Slipper suspension at rear for low maintenance and better load carrying capacity.
- » Ergonomically designed cabin for increased driver productivity.

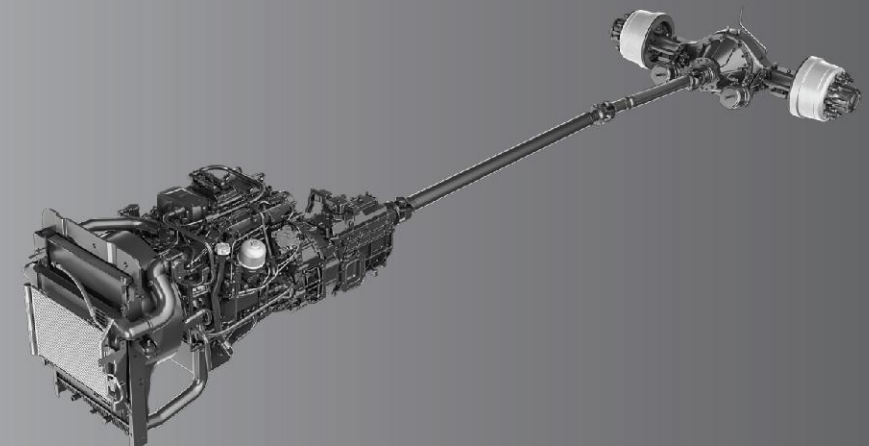
Parabolic suspension



Slipper suspension



M Booster+



Superior Uptime.

Higher strength and lower weight composite material derive **maximum component life** ensuring truck is on road and available to haul always. With **the fully equipped Eicher Service Network**, preventive maintenance of the truck is ensured thus delivering superior uptime.



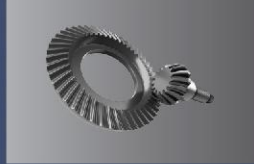
On Board Diagnostics



ET90 6 Speed Gearbox



Bigger Crown Wheel



- » Advance on-Board Diagnostics system that displays fault indicators in the form of visual signals, messages and alarms.
- » Engine Protection System ensuring 4 way protection.
- » Exhaust brake to prevent engine over-running
- » Longer and synchronized service intervals

More Comfort. Longer Drives.

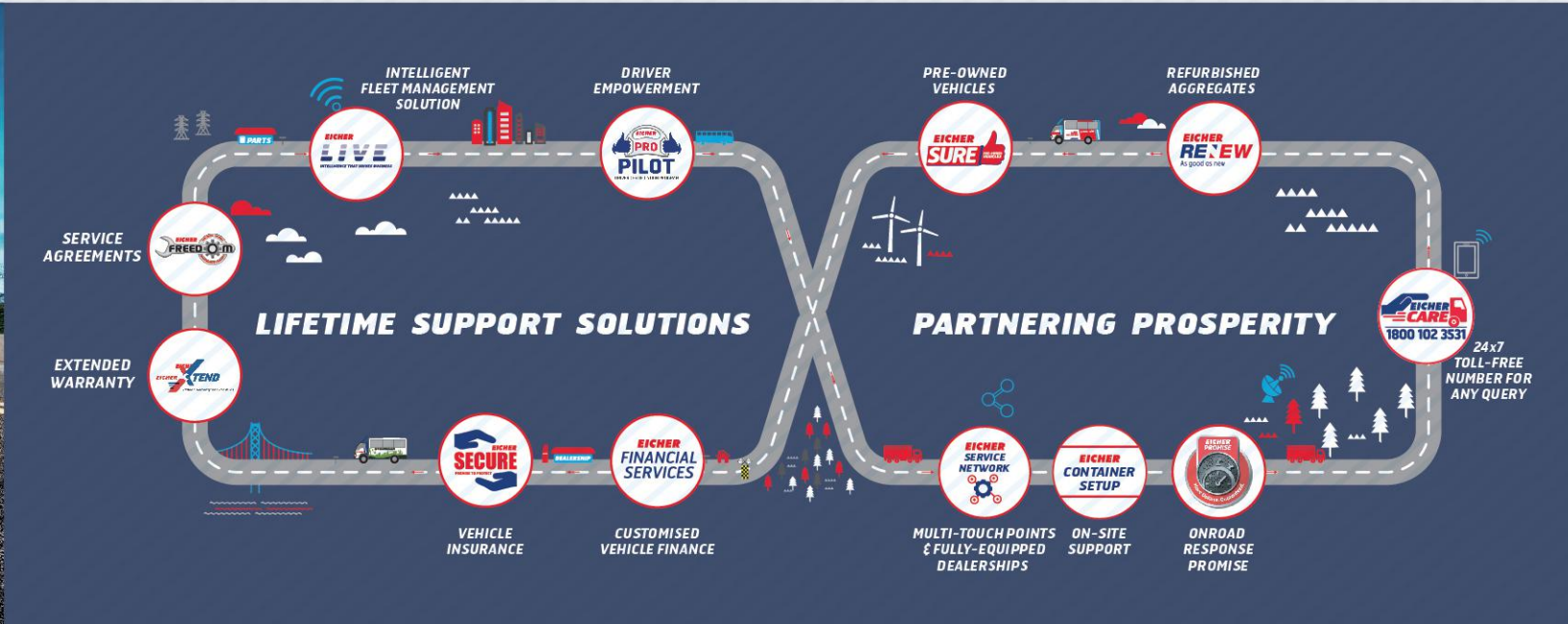
Pro 6035 Cabin has been designed keeping in mind the long and tiring journeys, the drivers have to travel in. The **global cabin** provides a **comfortable workspace** that ensures they are not only comfortable, but also safe while on their long runs.

- » Sleeper cabin for better comfort (HVAC optional).
- » Meeting AIS 029 cabin strength test.
- » Dual panel cabin for structural strength.
- » Intelligent Driver information system (IDIS) that provides truck operational parameters.
- » Tilt & telescopic power steering & 6 way adjustable seat for better driving posture.
- » Cruise Control for fatigue-free driving experience.



Lifetime Support Solutions.

Through our Lifetime Support Solutions, we ensure a seamless and hassle free experience from the time you consider buying an Eicher vehicle to the time you think of selling. Our continuously improving and holistic services will ensure higher uptime and productivity for your BSVI vehicles.



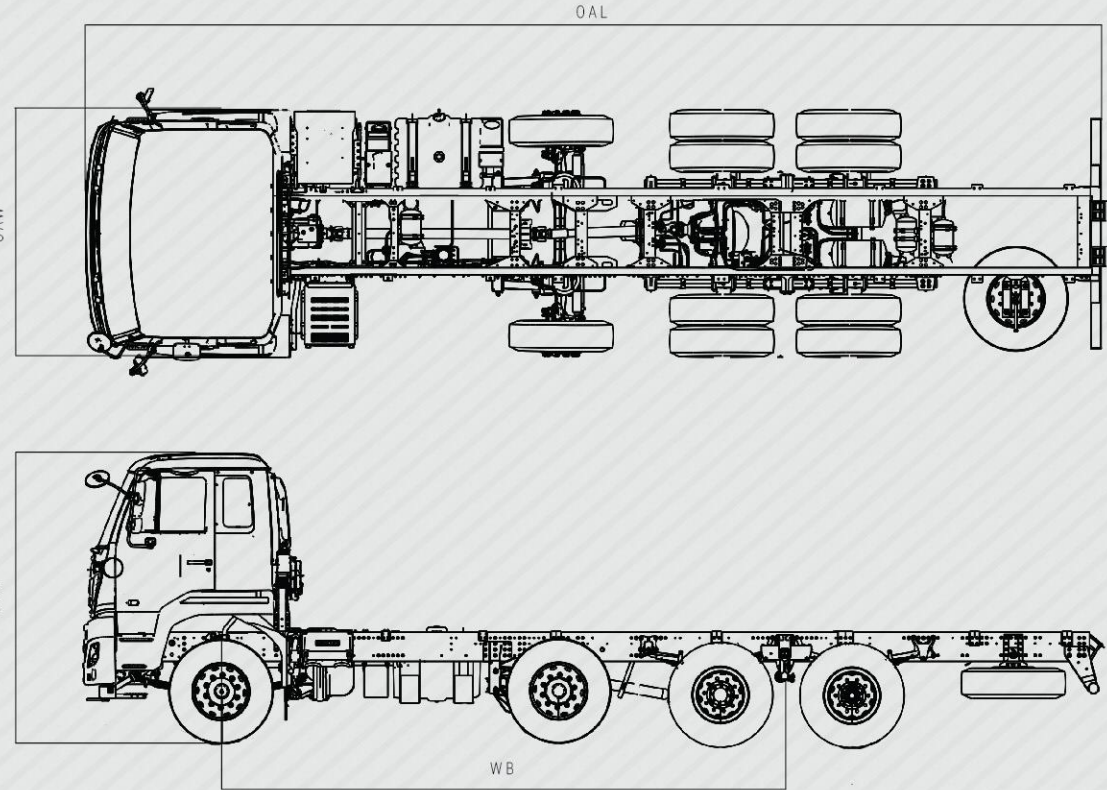
Eicher has taken a step towards achieving Superior Uptime, with a responsive attitude, that will set us apart and create a differentiated experience for our customer. With our new UPTIME CENTER and UPTIME CERTIFIED WORKSHOPS, we are now geared up with a pro- active support system for diagnostic assistance through advanced diagnostic tools.



At Uptime Certified Workshops only
*T&C Apply

Model Eicher Pro 6035

GVW (kg)	35000			
Engine	VEDX 5, 4 Cylinder - BSVI			
Max Power	240 hp @ 2200 rpm			
Max Torque	900 Nm @ 1200-1600 RPM			
Clutch (mm)	395			
Gearbox	ET 90 S6, Manual			
Rear Axle	Heavy Duty fully floating single reduction, 458 mm drive head			
FDR	5.28			
Chassis Dimensions (mm)	300x76x6			
Brakes	Dual circuit full air 'S' Cam with ABS			
Front Suspension	Parabolic			
Rear Suspension	Semi elliptic slipper			
Cabin	Sleeper cabin			
Steering	Tilt and telescopic power steering			
Ground Clearance	235			
Tyres	Front: 295/90R20 Rear: 10R20			
Fuel Tank (Litres)	350			
DEF Tank (Litres)	50			
Battery	24V			
Gradeability (%)	18			
Wheelbase (mm)	5800		6800	
Variants	CBC	HSD/ FSD	CBC	HSD
Load body Span (mm)	7917	7946/7851	8822 9422	8866
Applications	Market load, Tankers, Parcel & logistics, Cement, Fly ash, Minerals surface transportation, Container, Reefer			



Vehicle Model	Overall Length (OAL) mm	Overall Width (OAW) mm	Overall Height (OAH) mm	Wheelbase (mm)
Pro 6035 CBC (7917mm)	10340	2510	2940	5800
Pro 6035 CBC (8822mm)	11235	2510	2940	6800
Pro 6035 CBC (9422mm)	11830	2510	2940	6800

