

TRUCKS AND BUSES



Do More.

Eicher Pro 6028T

The 28 Tonne GVW Tipper



EUTECH 6

EUTECH 6

Eicher is creating a new benchmark in the Indian commercial vehicle industry, through a revolutionary BSVI solution that combines global technology with innovative support services. This solution doesn't just make your vehicle BSVI compliant but ensures higher productivity of the truck and profitability of your business.



Euro VI Expertise for 6 years

VECV has been manufacturing and supplying base engines to the Volvo Group since 2013. Over 1,00,000 Euro VI base engines supplied, operating in 41 countries. First to rollout BSVI CV range in India, incorporating expertise of Euro VI technology.



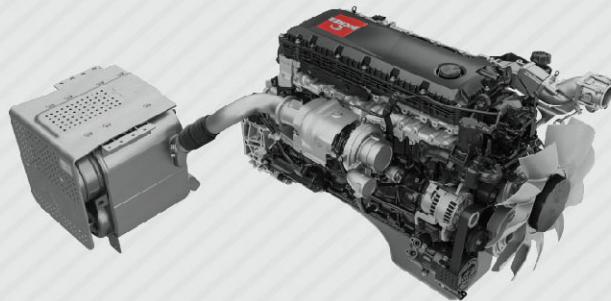
Efficient EATS and engine technology

Best fluid economy: Lower fuel consumption + DEF consumption combined. Reliable EATS + engine technology tested for over 56,00,000 km. Vanadium based SCR for high reliability & low maintenance.



Enhanced UPTIME

Eicher Uptime Centre for 24x7 support by specialists. GPS enabled service vans just a phone call away. Remote diagnostics for quick repair of BSVI vehicles.



Compact Box type EATS for efficient thermal management



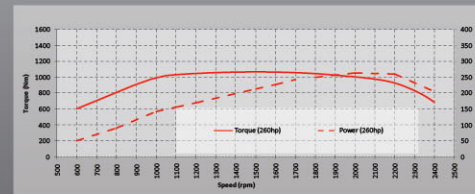
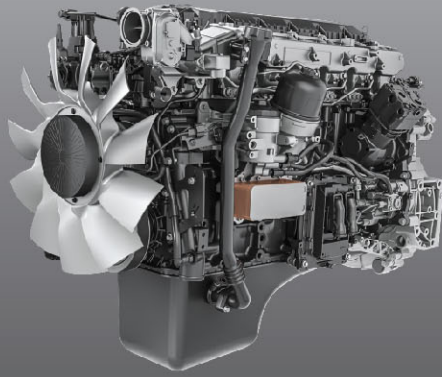
The new Eicher Pro 6028T is the next generation 28 tonne GVW Tipper. With the increased power of 260HP and higher torque output of 1000Nm, the Eicher Pro 6028T is built on the philosophy to *DO MORE* and deliver superior performance, reliability, higher productivity and greater revenues.



More Tonnes per Litre.

The new Eicher Pro 6028T is built to deliver best in class fuel efficiency thereby **reducing the operational costs.**

The proven **VEDX8** engine clubbed with Volvo Group's EMS, delivers **high peak torque over a wide range of RPM**, ensuring Pro 6028T makes the most out of every drop of the fuel.



More Trips. Faster turnaround.

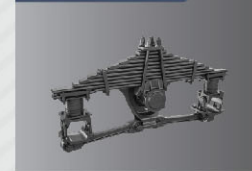
Pro 6028T is made with a robust and optimized driveline which delivers **high torque at wheels** to carry higher loads in the toughest of terrain. **Higher power to weight ratios** provide higher pulling power and superior grade-ability leading to **faster turnaround and more trips.**

- » High peak torque of 1000 NM.
- » High Gradeability – 52% and Low TCD –14.3M.
- » High Torque at wheels with 5.29 FDR.
- » Higher power to weight ratio.
- » Heavy duty bogie suspension with 10 leaf springs.
- » Inter-axle differential lock.
- » Ergonomically designed cabin for driver productivity.

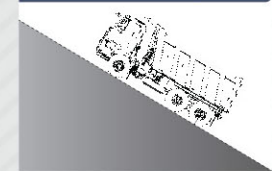
Parabolic suspension



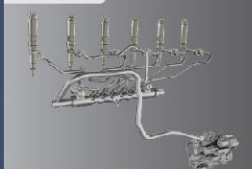
Bogie Suspension



Maximum Gradeability - 52%



FIE system



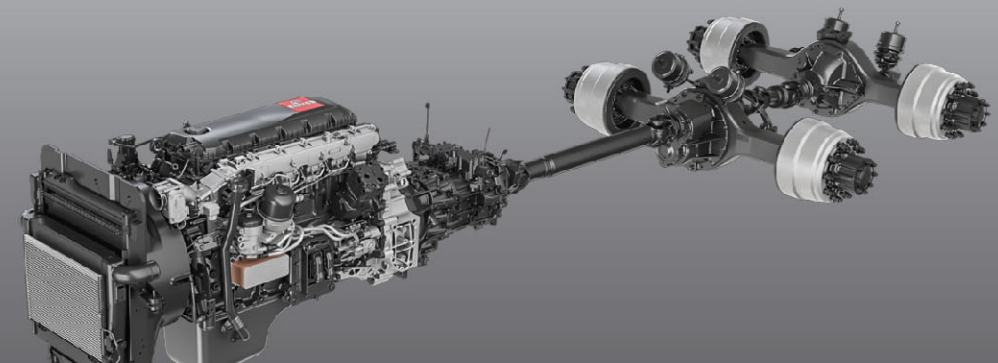
Volvo Group's EMS



ESS compressor



- » Next Gen VEDX8 Common Rail engine.
- » Optimum engine design with wider flat torque curve 1000-1700 rpm.
- » Higher power of 260 HP @ lower 2200 rpm.
- » Aerodynamic cabin to reduce air drag.
- » First in Industry **Fuel coaching** for improved driver performance.



Superior Uptime.

In construction & mining, **Uptime is everything** and Pro 6028T is **designed to ensure optimum utilization of all your assets**. Along with the fully equipped service network, Pro 6028T delivers superior uptime ensuring that the operations never stop.



Clutch wear indicator



ET140 9 Speed Gearbox



Bigger Crown Wheel



- » Reliable VEDX8 engine with longer L10 Life.
- » Reliable and robust aggregates for higher uptime.
- » High strength DOMEX Chassis.
- » Engine Protection System.
- » On-Board Diagnostics & **Eicher LIVE**.
- » Designed for easy maintenance.
- » Synchronized Service Intervals for lesser visits to workshops.

More Comfort. Enhanced Safety.

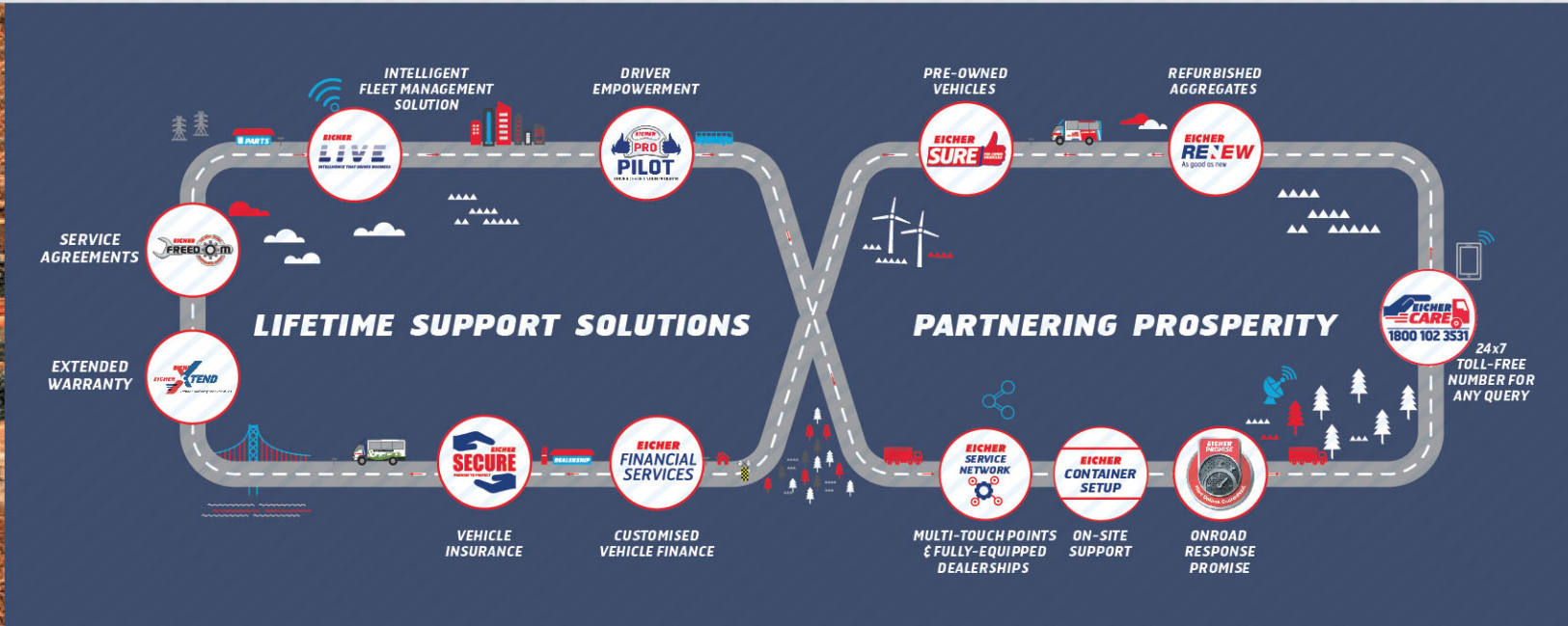
Pro 6028T Cabin has been designed keeping in mind the harsh conditions the drivers have to operate in construction and mining applications. The **global cabin** provides a **comfortable workspace** that ensures they are not only comfortable, but alert for longer hours.

- » Standard HVAC for better comfort.
- » Improved front parabolic suspension.
- » Tilt and telescopic power steering.
- » 6-way adjustable driver seat.
- » Intelligent Driver information system (IDIS) & Fuel coaching.
- » All round mirrors, electronic battery cut-off switch and optional DGMS compliant features for enhanced safety.



Lifetime Support Solutions.

Through our Lifetime Support Solutions, we ensure a seamless and hassle free experience from the time you consider buying an Eicher vehicle to the time you think of selling. Our continuously improving and holistic services will ensure higher uptime and productivity for your BSVI vehicles.



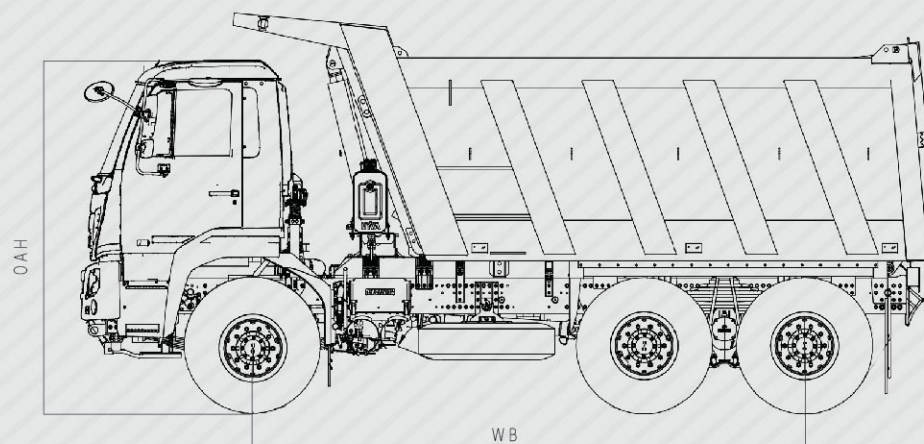
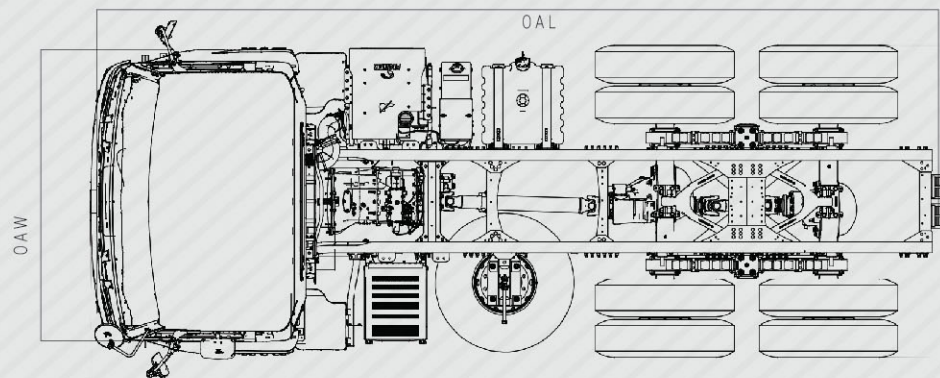
Eicher has taken a step towards achieving Superior Uptime, with a responsive attitude, that will set us apart and create a differentiated experience for our customer. With our new UPTIME CENTER and UPTIME CERTIFIED WORKSHOPS, we are now geared up with a pro- active support system for diagnostic assistance through advanced diagnostic tools.



At Uptime Certified Workshops only
*T&C Apply

Model Eicher Pro 6028T

GVW (kg)	28000	
Engine	VEDX8, BS-VI	
Max Power	260 hp @ 2200 rpm	
Max Torque	1000 Nm @ 1000-1700 rpm	
Clutch (mm)	430mm, Pull Type, Single Dry Plate	
Gearbox	ET 140S9, 9 speed	
Front Axle	Forged Reverse Elliot Type	
Rear Axle	VECV 440DH Single Reduction Tandem Fully Floating Banjo	
Rear Axle Ratio	5.29	
Chassis Dimensions (mm)	300x90x8 with 5mm Full length inner liner	
Service brake	S-Cam Dual line with ABS	
Parking brake	Pneumatically operated hand control valve	
Front Suspension	Parabolic	
Rear Suspension	Bogie	
Cabin	HVAC Day Cabin	
Steering	Tilt and Telescopic Power steering	
Tyres	11x20 (Nylon, Mining, Radial)	
Wheel Rims & Tyres	7.5x20 Nylon/ Mining, 8.0x20 Radial	
Fuel Tank (Litres)	220	
DEF Tank (Litres)	33	
Battery	24V 120 Ah	
Wheelbase (mm)	4000	4585
Turning Circle Diameter (m)	14.3	16.3
Gradeability (%)	52% Crawler	
Ground Clearance (mm)	255	
Body Variants (mm)	14 Cum (Rock), 16 Cum (Box), 20 Cum (Box)	
Standard Features	Eicher Live, Fuel Coaching, Cruise Control, M Booster+	



Vehicle Model	Wheelbase (mm)	Overall Length (OAL) mm	Overall Width (OAW) mm	Overall Height (OAH) mm
Pro 6028T (14 Cum Rock)	4000	7663	2590	3660
Pro 6028T (16 Cum Box)	4000	7208	2590	3547



VE COMMERCIAL VEHICLES
A VOLVO GROUP AND EICHER MOTORS JOINT VENTURE
eichertrucksandbuses.com, Eicher Care- 1800 102 3531

VE COMMERCIAL VEHICLES LTD.
Registered Address – 3rd Floor Select Citywalk,
A -3 District Centre, Saket, New Delhi 110 107, India
CIN – U74900DL2008PLC175032

CORPORATE ADDRESS
Eicher Trucks & Buses
#96, Sector – 32, Gurgaon
122001, Haryana, India

Caution: *do not weld or drill on chassis frame. *Accessories, colours and features shown in pictures or elsewhere may not constitute standard fitment. *Weight mentioned is for standard configuration with standard body sizes and will change due to optional fitments. *as a result of continuous research and innovation carried out, specifications are merely indicative and are subject to change without notice.