

**DFA1101GZ5AD6J-907**

**LIGHT COMMERCIAL VEHICLE**

**SPARE PARTS CATALOG**

**PEOPLE'S REPUBLIC OF CHINA**

**DONGFENG AUTOMOBILE CO., LTD.**

# FOREWORD

1. The catalog has compiled the spare parts numbers, part names, quantities of the parts in the assemblies of DFA1101GZ5AD6J-907 commercial light truck and the assembling figures of those assembly mechanisms for the reference of customers when they purchase or order spare parts. This catalog can also provide references for customers to get to know the assembling relations between those parts of the assembly mechanisms of the vehicles.

2. When you submit your request of purchasing our parts or when ordering, please offer correct and complete part numbers and clarify the part names and quantities.

3. The same assembly of the same model may be chosen from different suppliers. When you purchase spare parts, please choose the right ones according to the actual configurations of your vehicle.

4. The spare part catalog is compiled on base of the production drawings before May., 2006. Due to continuous improvements and perfections of our product construction, the structure, size or number of some parts may be changed, so please clarify the production date of your vehicle when putting spare part orders.

5. Application File Section of Test Department of Commercial Product R&D Institute of Dongfeng Automobile Co., Ltd. is responsible for the compiling of this spare part catalog. No copy to part of or all content of this catalog is allowed before written approval.

**DONGFENG AUTOMOBILE CO., LTD.**

May., 2006

# INSTRUCTION

The catalog has compiled the spare part numbers, part names, quantities of the parts in the assemblies of DFA1101GZ5AD6J-907 commercial light truck and the assembling figures of those assembly mechanisms for the customers as reference to purchasing or ordering spare parts.

## 1. Compiling Method of the Figure Numbers

Fig. No.: □ × × ○ ○

- ----Representing letter of the English name of the assembly
- × × --Representing number of the systems of the vehicle
- ○ --Series number of the disassembling figure of the part in this system

## 2. Signification of the Representing Letters of the Systems:

5AD--EQB140-20 engine	E---Engine system
CL----Clutch	T---Transmission
S-----Frame & suspension system	P---Propeller shaft
F-----Front axle	R---Rear axle
W----Wheel & spare wheel carrier	ST--Steering system
B-----Brake system	EL--Electric system
CA-- Cab	OT-- Tools & cargo body

## 3. Compiling Method of Page Numbers

Page: ○ ○ △ - × ×

- ○ --Series number of the assembly or the system
- △ ----Identification number
- × × --Page number of the part figure and words of the assembly or the system

# **CONTENTS**

- 1. Engine**
- 2. Enging System**
- 3. Clutch**
- 4. Transmission**
- 5. Propellor Shaft**
- 6. Front Axle**
- 7. Rear Axle**
- 8. Frame, Suspension System**
- 9. Wheel, Spare Wheel Carrier**
- 10. Steering System**
- 11. Brake System**
- 12. Electric System**
- 13. Cab**
- 14. Tools, Cargo Body**

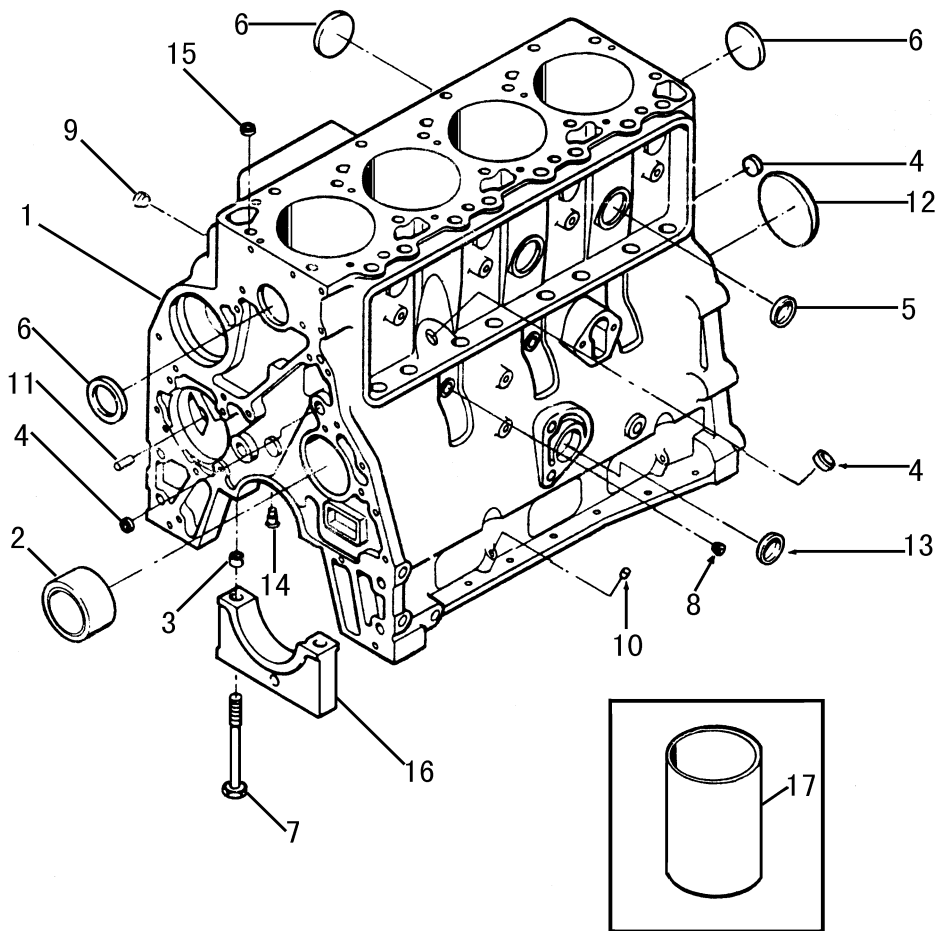
# 1. Engine

---

Fig.5AD01	Cylinder Block.....	1-2
Fig.5AD02	Crankshaft.....	1-4
Fig.5AD03	Piston, Connecting Rod.....	1-6
Fig.5AD04	Gear Cover.....	1-8
Fig.5AD05	Camshaft.....	1-10
Fig.5AD06	Oil Pump.....	1-12
Fig.5AD07	Oil Filter, Oil Cooler.....	1-14
Fig.5AD08	Water Pump.....	1-16
Fig.5AD09	Cylinder Head And Rocker Train.....	1-18
Fig.5AD10	Fan And Bracket.....	1-21
Fig.5AD11	Injection Pump, Injector And High Pressure Pipes.....	1-23
Fig.5AD12	Supply Pump.....	1-26
Fig.5AD13	Fuel Filter.....	1-28
Fig.5AD14	Turbocharger, Exhaust Manifold.....	1-30
Fig.5AD15	Oil Level Dipstick.....	1-32
Fig.5AD16	Oil Sump.....	1-34
Fig.5AD17	Push Rod Chamber Cover.....	1-36
Fig.5AD18	Flywheel.....	1-38
Fig.5AD19	Flywheel Housing.....	1-40
Fig.5AD20	Valve Chamber Cover.....	1-42
Fig.5AD21	Starter, Alternator.....	1-44
Fig.5AD22	Thermostat And Alternator Bracket.....	1-46
Fig.5AD23	Pulley Tensioner, Air-condition Comperssor, Intake Pipe And Installation Console.....	1-48

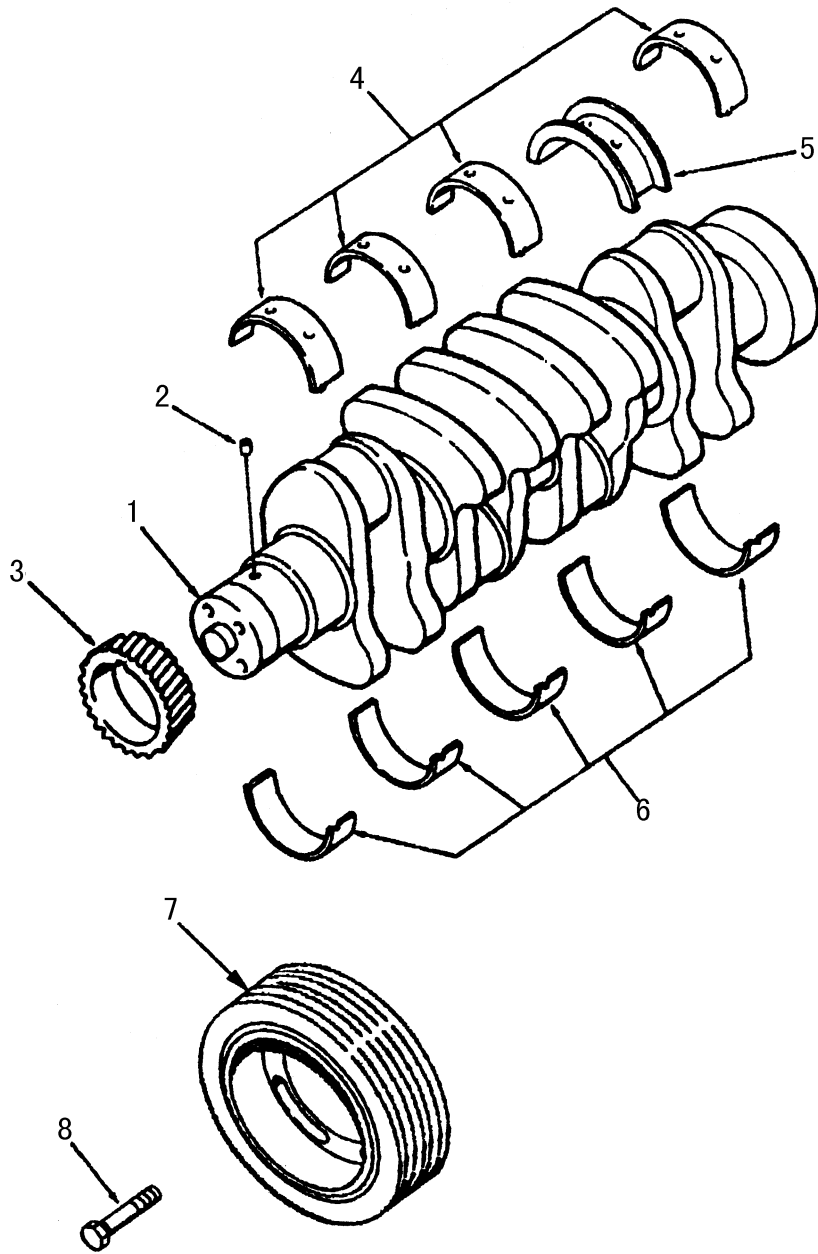




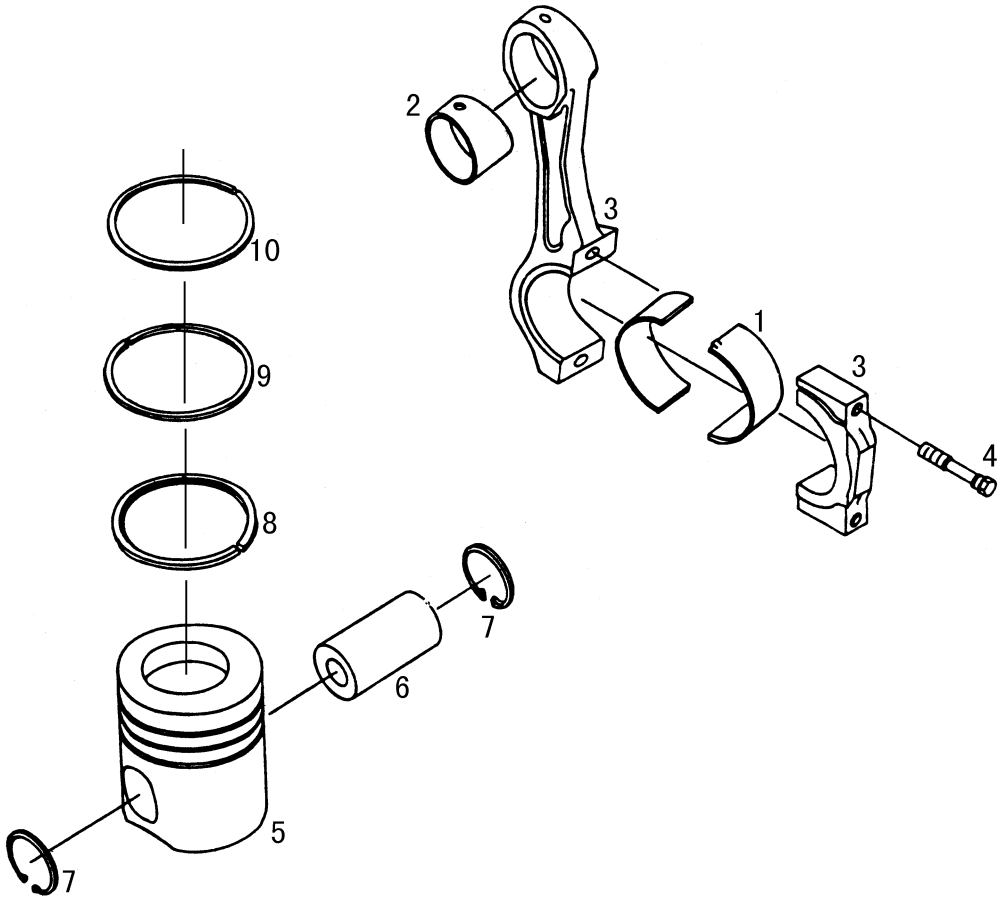




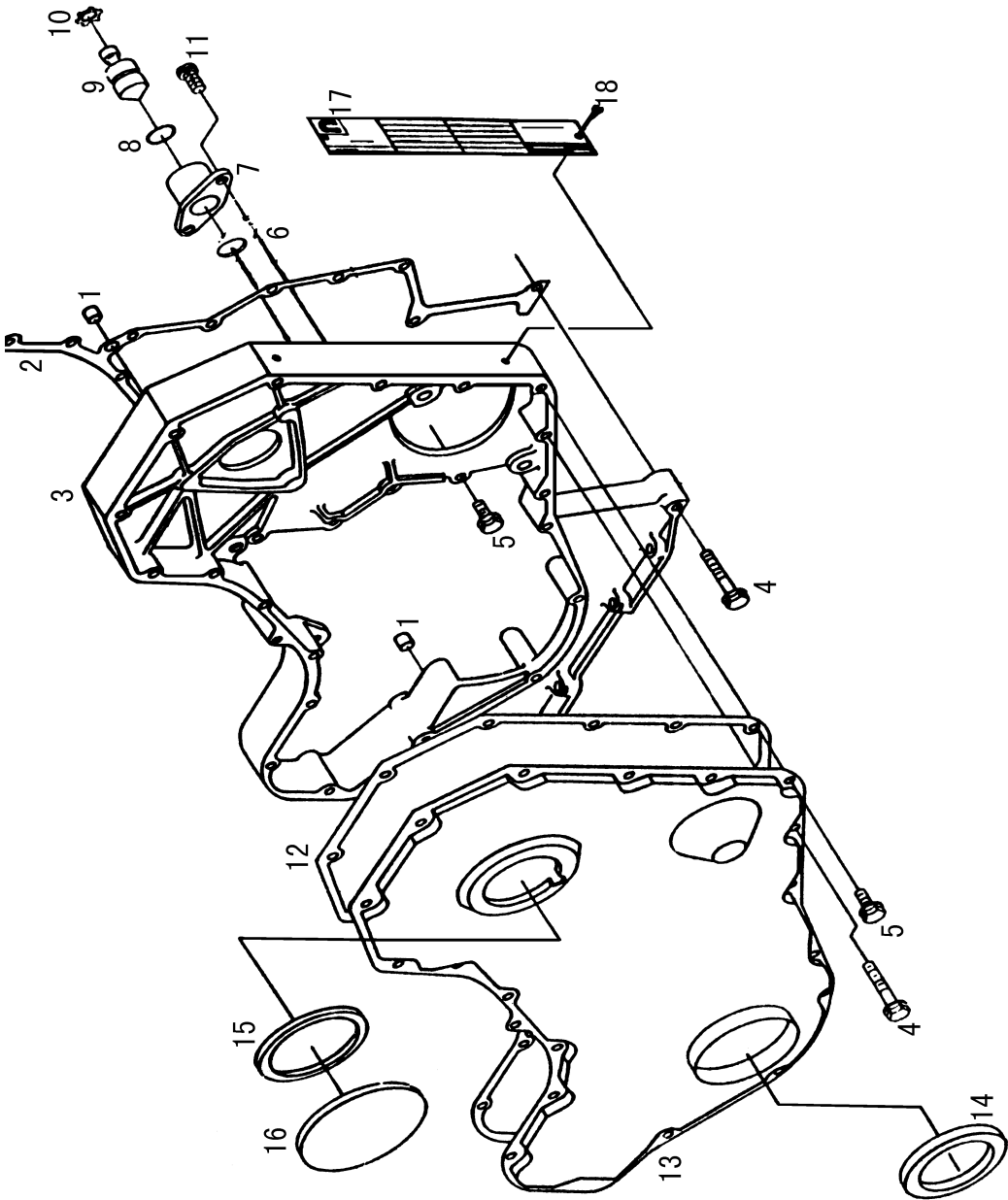
Cylinder Block			Fig • 5AD01
No.	Part No.	Part Name & Description	Qty.
1	A3903920	Cylinder block ass'y(Inc No.2,3,4,6,7,17)	1
2	A3901306	Bushing, camshaft	1
3	A3900068	Ring, setting	10
4	A3900635	Plug, expansion	3
5	A3007956	Plug, expansion	2
6	A3900965	Plug, expansion	4
7	A3904217	Bolt, cover, main bearing	8
8	C3906619	Plug	1
9	C3008468	Plug	1
10	A3900955	Plug, expansion	2
11	C3900257	Dowel	2
12	A3900687	Spacer	1
13	A3900958	Plug, expansion	1
14	A3919002	Nozzle	4
15	A3902343	Ring, setting	2
16	A3913917	Main bearing cap ass'y (Inc No.3)	5
17	A3904166	Liner, cylinder (only used for repair)	



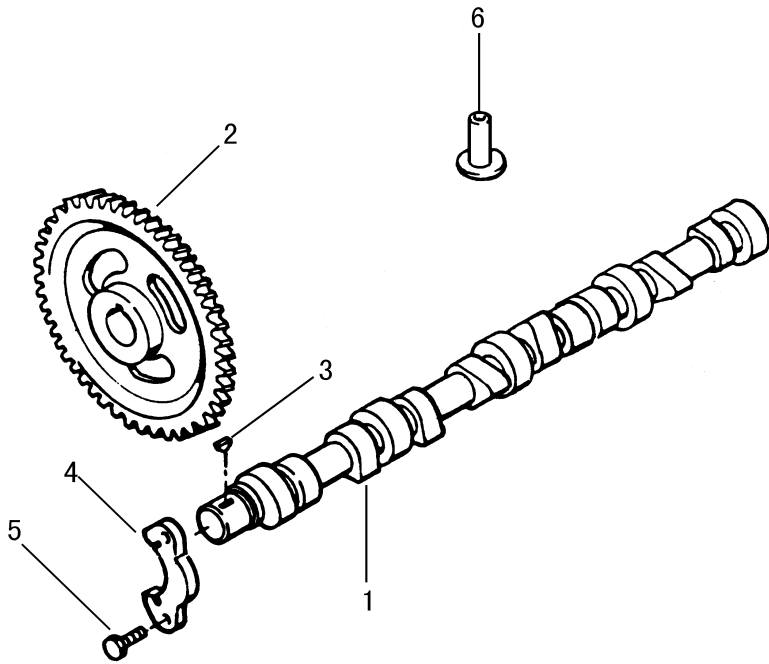




Piston, Connecting Rod			Fig • 5AD03
No.	Part No.	Part Name & Description	Qty.
	A3901569	Connecting rod ass'y (Inc No.2,3,4)	4
1	A3901170	Bearing, connecting rod	8
2	A3941476	Bushing, connecting rod	1
3	A3901572B	Connecting rod	1
4	A3900919	Bolt, connecting rod	2
5	A3926631	Piston	4
6	A3919053	Pin, piston	4
7	A3901706	Ring, snap	8
8	A3903384	Ring ass'y, oil, piece	4
9	A3902286	Compression ring, middle	4
10	A3902401	Ring, upper, compression	4

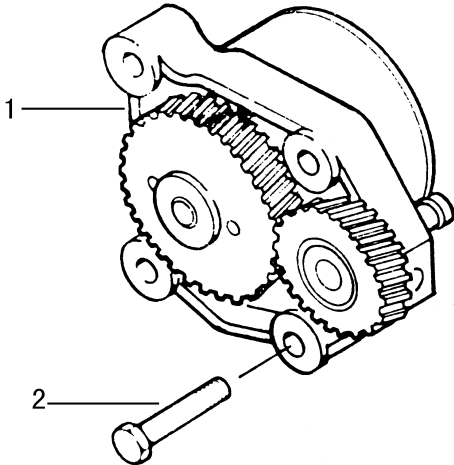


Gear Cover			Fig • 5AD04
No.	Part No.	Part Name & Description	Qty.
1	A3900257	Dowel	2
2	A3960061	Gasket	1
3	A3960071	Gear chamber	1
4	A3900633	Bolt	11
5	A3900629	Bolt	16
6	A3914092	Ring, seal	1
7	C3919683	Seat, timing pin	1
8	A3913994	O-ring	1
9	A3903924	Pin, timing gear	1
10	A3904849	Ring, snap	1
11	C3907998	Screw	2
12	A3960319	Gasket	1
13	A3903794	Cover, gear chamber	1
14	A3900709	Oil seal, front	1
15	A3914092	Gasket	1
16	A3903463	Cover, hole	1
17	C3911314	Spec plate	1
18	RQ541255	Nail, spec plate	2

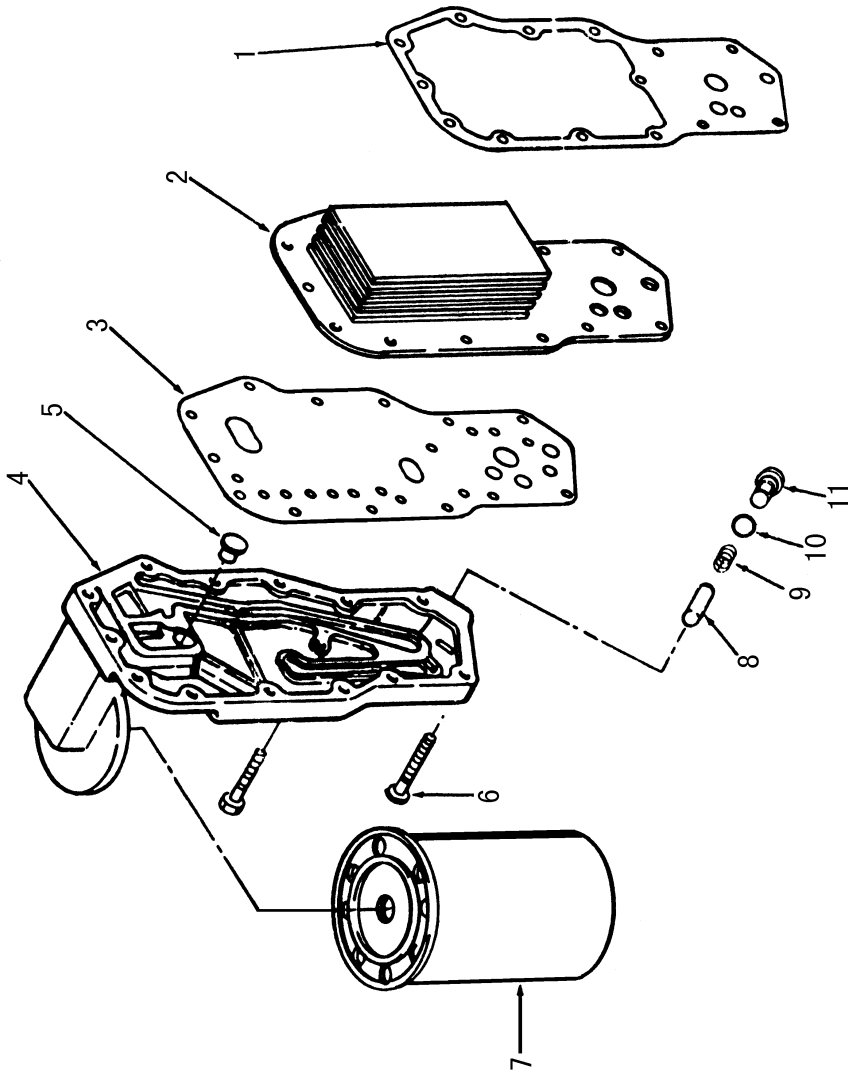




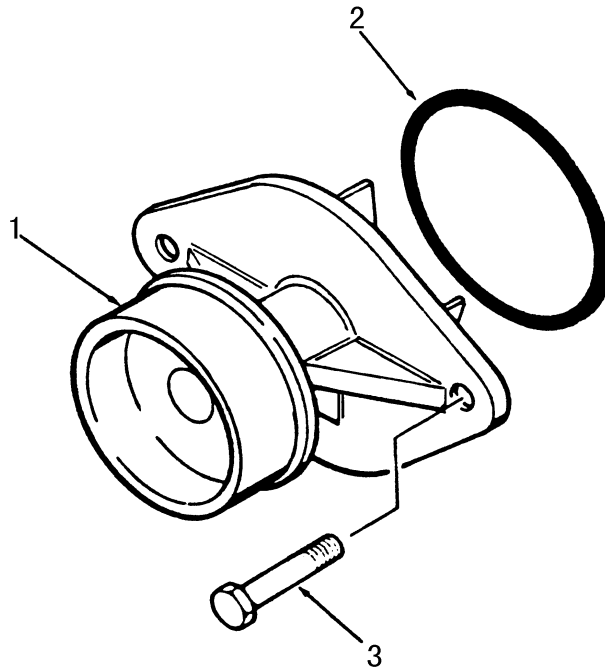




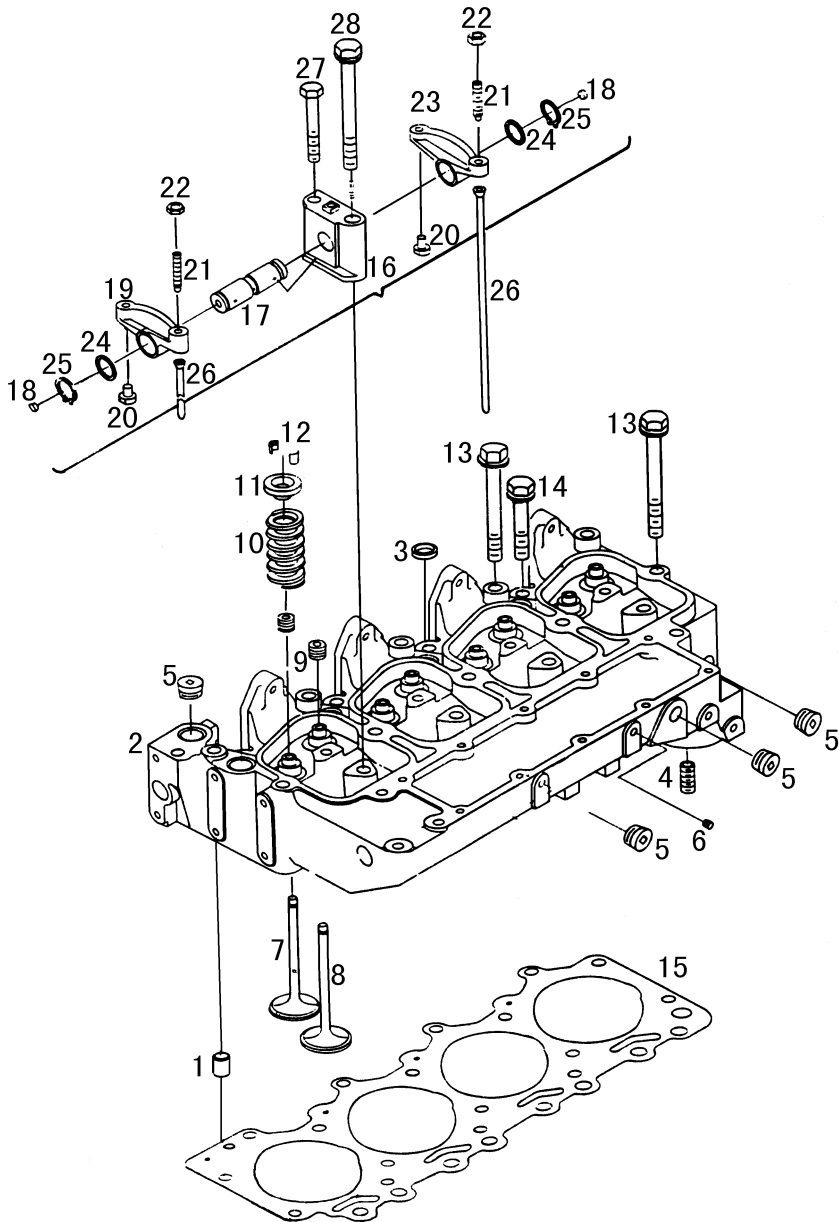




Oil Filter, Oil Cooler			Fig • 5AD07
No.	Part No.	Part Name & Description	Qty.
1	A3960317	Seal gasket, oil cooler	1
2	A3921557	Oil cooler	1
3	A3960320	Gasket	1
4	A3913967	Seat ass'y, oil filter	1
5	A3902338	Valve, bypass	1
6	A3900632	Bolt	14
7	1012Q01-001	Oil filter ass'y	1
8	A3918428	Plug	1
9	A3918427	Spring	1
10	A3909397	O-ring	1
11	A3915787	Plug	1



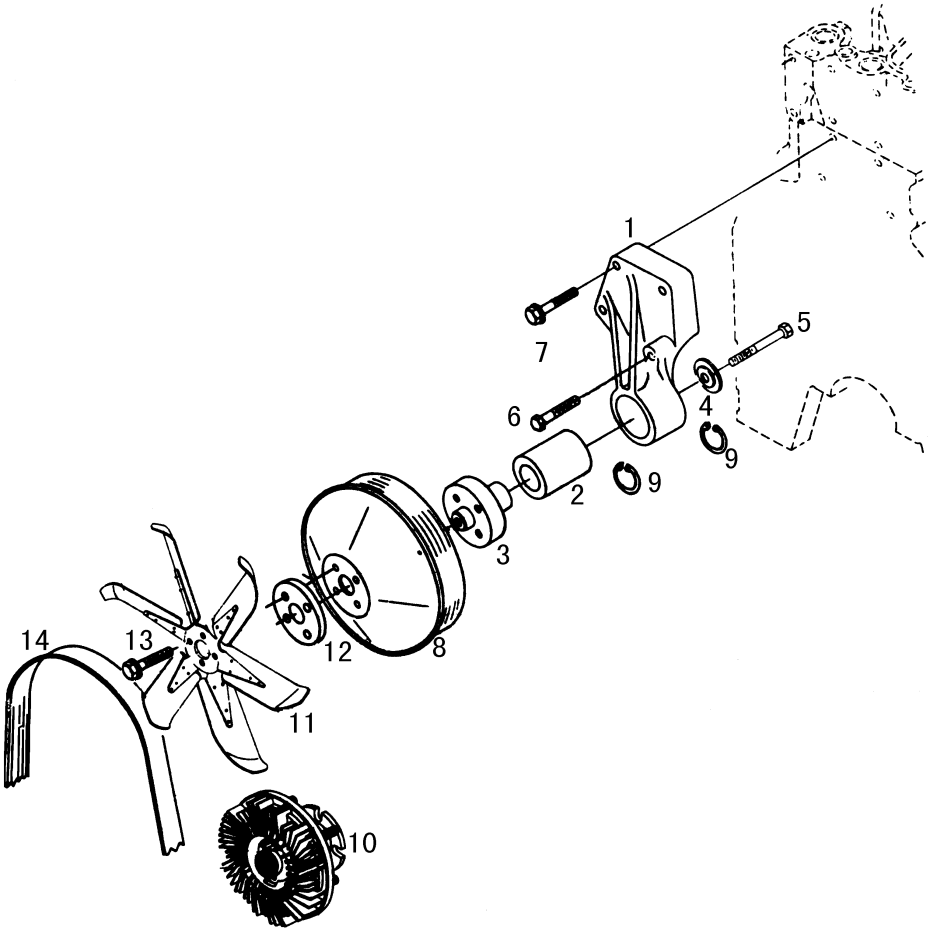




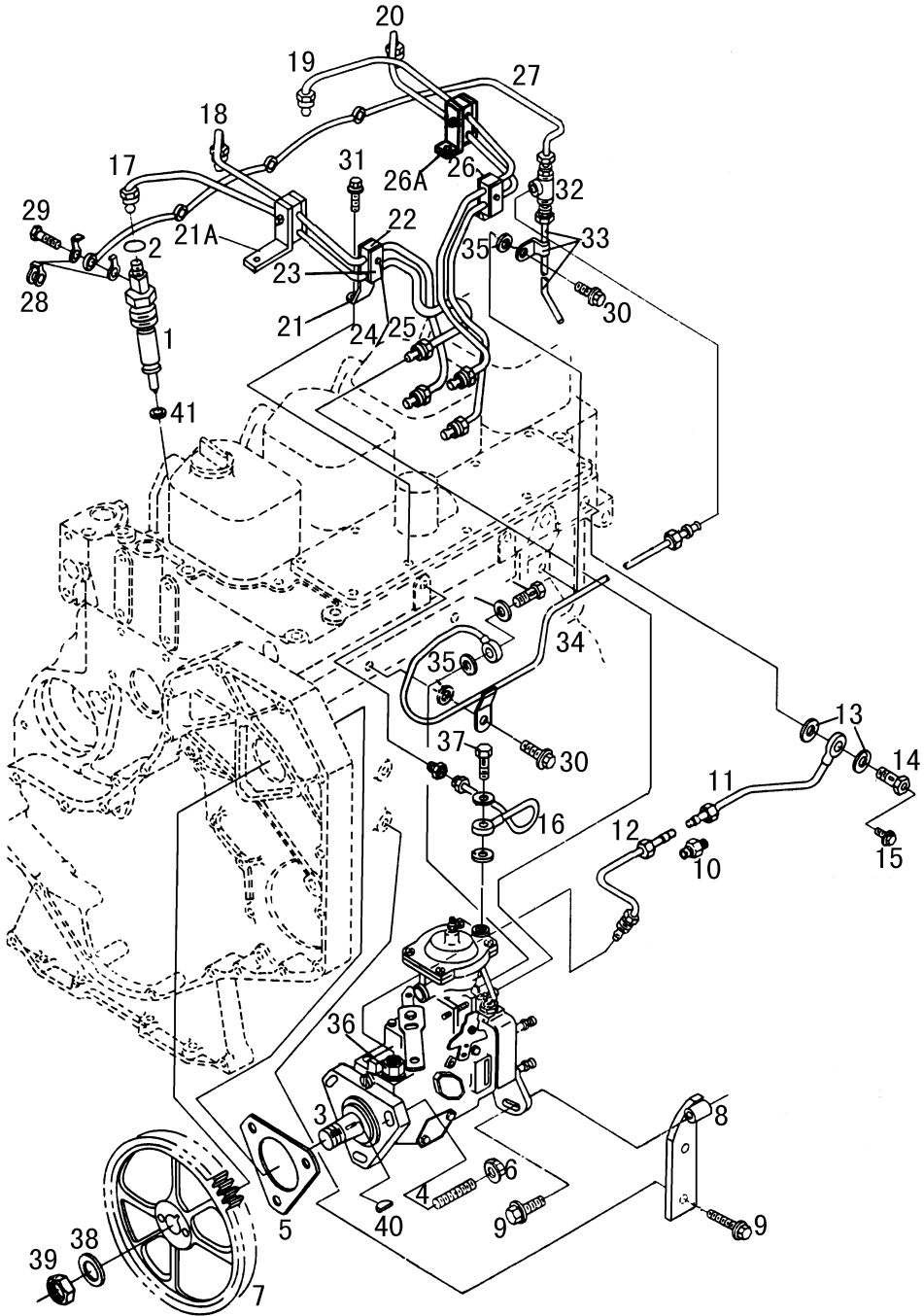


Cylinder Head And Rocker Train			Fig • 5AD09
No.	Part No.	Part Name & Description	Qty.
1	A3902343	Ring, setting	2
2	A3933422	Cylinder head with expansion plug	1
3	A3902606	Plug, expansion	3
4	A3903845	Flange	1
5	C3008468	Plug	2
6	RQ61901-J8	Plug	1
7	A3901117	Valve, inlet	4
8	A3901607	Valve, exhaust	4
9	3921640	Oil seal	8
10	A3900276	Spring, valve (inlet)	4
	A3916691	Spring, valve (exhaust)	4
11	A3900299	Retainer, spring, valve	8
12	3900250	Lock cone, valve	16
13	A3903939	Bolt	10
14	A3903938	Bolt	4
15	A3921393	Gasket	1
16	A3910815	Rocker shaft base with arm ass'y (Inc No.17~25)	4
	A3910810	Rock arm ass'y, exhaust (Inc No.20~23)	4
	A3910811	Rock arm ass'y, intake (Inc No.19~22)	4
17	A3910814	Rocker shaft support ass'y	4
18	A3907555	Plug, expansion	8
19	A3910809	Rock arm, intake	4
20	A3900705	Insert, rock arm	8
21	A3900706	Bolt	8
22	A3960358	Nut	8
23	A3910808	Rock arm, exhaust	4
24	A3900245	Washer	8
25	Q43119	Ring, spring	8



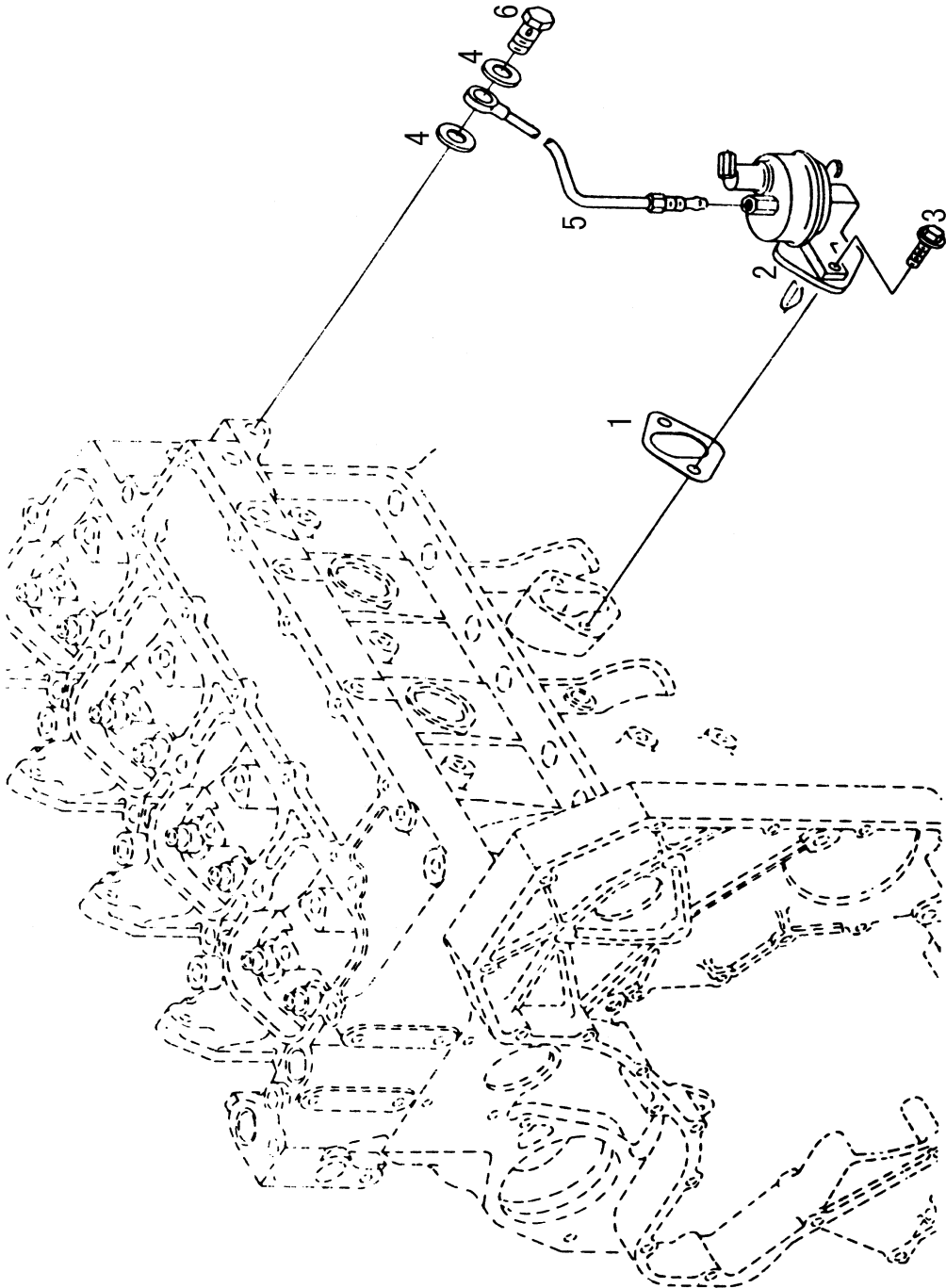


Fan And Bracket			Fig • 5AD10
No.	Part No.	Part Name & Description	Qty.
1	A3960076	Bracket ass'y, fan(Inc No.2,3,4,5,9)	1
2	A3910739	Bearing	1
3	A3911924	Fan hub	1
4	A3910410	Hub ring, fan	1
5	Q150B1070-2H1	Bolt	1
6	C3901447	Bolt	1
7	A3902114	Bolt	3
8	A3914462	Pulley, fan belt	1
9	Q43065	Ring, snap	2
10	1308D5-050-A	Silicon oil fan clutch ass'y	1
11	1308D5-010	Fan ass'y	1
12	13Q01-08006	Flange	1
13	Q150B1020	Bolt	4
14	A3911584	Belt	1



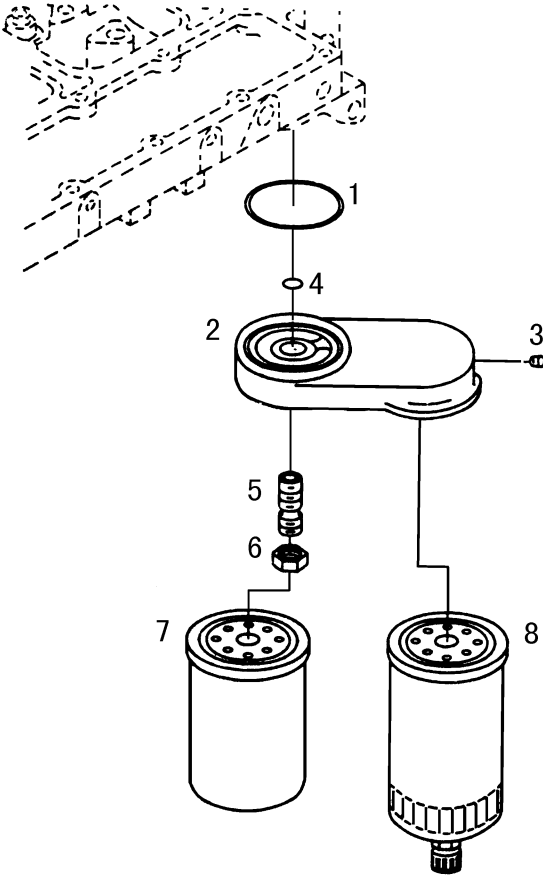
Injection Pump, Injector And High Pressure Pipes			Fig • 5AD11
No.	Part No.	Part Name & Description	Qty.
	A3356586ZZ	Injector ass'y (Inc No.1,2)	1
1	A3356587	Injector with gasket ass'y	4
2	A3909356	Gasket	4
3	A3960901	Injection pump	1
4	A3902501	Stud	3
5	A3960318	Gasket	1
6	Q32008	Nut	3
7	A3911331	Gear, fuel pump	1
8	A3905313	Bracket	1
9	A3900630	Bolt	3
	A3960018	Pipe, fuel (Inc No.10,11,12)	1
10	A3916984	Fitting	1
11	A3960021	Pipe, fuel	1
12	A3960019	Pipe, fuel	1
13	Z3900518	Washer, seal	2
14	A3911446	Bolt	1
15	A3905403	Bolt	1
16	A3960029	Pipe, connecting	1
	Z3900516	Washer, seal	2
	A3960375	Fitting	1
17	A3960033	Pipe ass'y, 1st cylinder	1
18	A3960035	Pipe ass'y, 2nd cylinder	1
	A3960725	Pipe ass'y, 1-2 cylinder	1
19	A3903482	Pipe ass'y, 3rd cylinder	1
20	A3903483	Pipe ass'y, 4th cylinder	1
	A3960761	Pipe ass'y, 3-4 cylinder	1
21	A3913900	Bracket	1
21A	A3960355	Bracket	1

Injection Pump, Injector And High Pressure Pipes			Fig • 5AD11
No.	Part No.	Part Name & Description	Qty.
22	A3917746	Buffer	8
23	A3904711	Bracket	4
24	Q150B0525	Bolt	3
25	Q40105	Washer	3
	Q40305	Washer, spring	4
26	A3913900	Bracket	1
26A	A3960380	Bracket	1
27	A3960041	Fuel return sub-pipe	1
28	C3903380	Washer	4
29	A3905307	Bolt	4
30	A3900630	Bolt	2
31	Q1840828-J8	Bolt	1
32	A3960374	Fitting, 3-way	1
33	A3960340	Pipe ass'y, fuel	1
34	A3960042	Pipe, fuel	1
35	A3900267	Seal	2
36	3903382	Connector (with pump)	1
37	A3903729	Bolt	2
38	S-609	Washer (with pump)	1
39	3903739	Nut (with pump)	1
40	3902332	Key, woodruff (with pump)	1
41	A3909356	Sealing washing	1

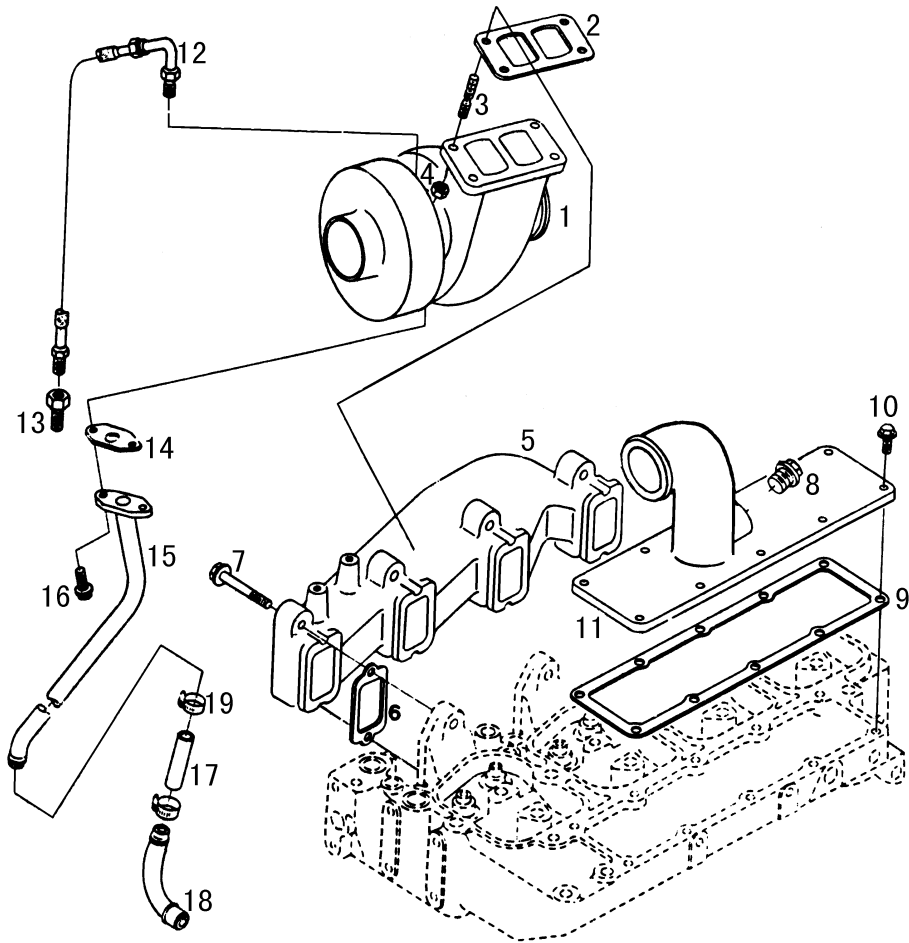




Supply Pump			Fig • 5AD12
No.	Part No.	Part Name & Description	Qty.
1	A3960316	Gasket	1
2	1106N-010	Supply pump ass'y	1
3	A3900631	Bolt	2
4	Z3900518	Washer, seal	2
5	A3905649	Pipe, fuel	1
6	A3903035	Bolt	1



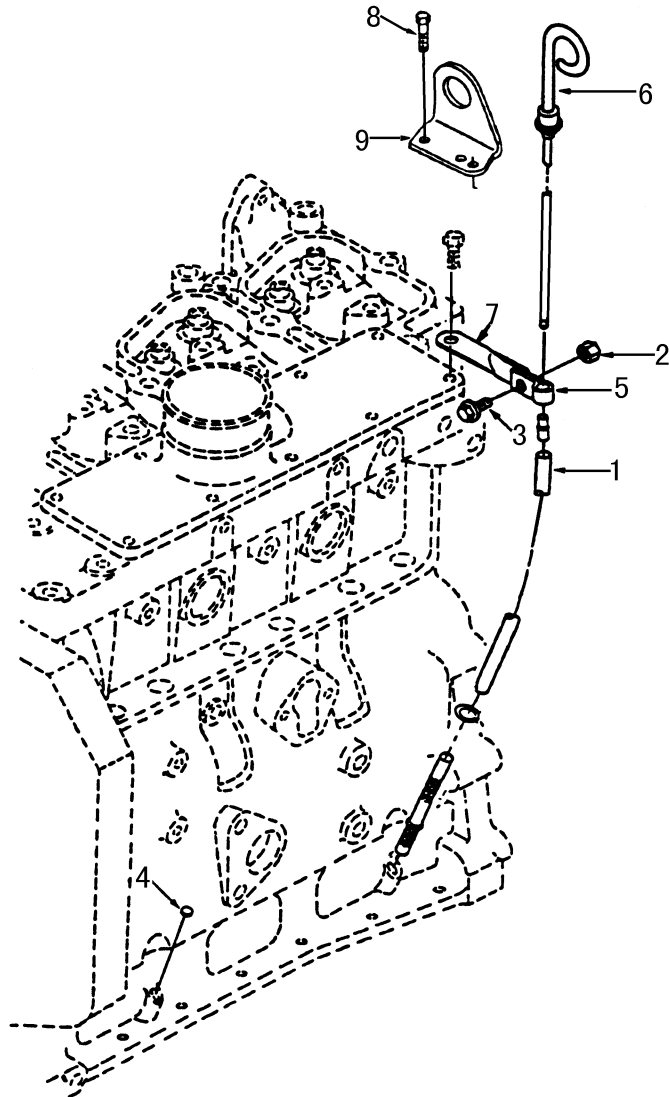
Fuel Filter			Fig • 5AD13
No.	Part No.	Part Name & Description	Qty.
1	A3906694	Gasket	1
2	A3904362	Fuel filter seat ass'y	1
3	A203933	Plug, expansion	1
4	A3906695	Gasket	1
5	A3903845	Flange	1
6	Q351B16	Nut	1
7	1117N-001	Fuel filter ass'y, secondary	1
8	1125N-001	Fuel filter ass'y , primary	1



Turbocharger, Exhaust  
Manifold

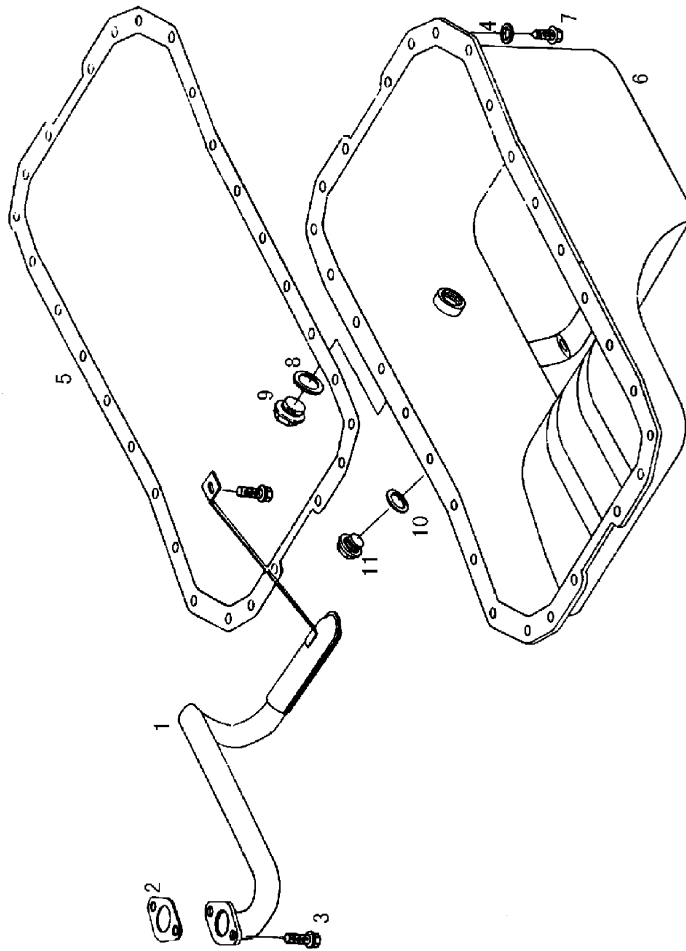
Fig • 5AD14

No.	Part No.	Part Name & Description	Qty.
1	A3592318	Turbocharger ass'y	1
2	A3901356	Gasket, turbocharger	1
3	C3818823	Stud	4
4	C3818824	Nut	4
5	A3960056	Manifold, exhaust	1
6	C3929881	Gasket, exhaust manifold	4
7	C3930249	Bolt	8
8	RQ61901	Plug	1
9	A3960324	Gasket	1
10	Q1840828-J8	Bolt	7
11	A3960726	Cap, manifold	1
12	A3960322	Hose	1
13	A3960026	Unit, tube fitting	2
14	A3960859	Gasket	1
15	A3960057	Pipe, oil return, turbocharger	1
16	Q1840825	Bolt	2
17	A3903745	Hose	1
18	A3903744	Pipe, oil return, turbocharger	1
19	Q67635B	Clamp	2



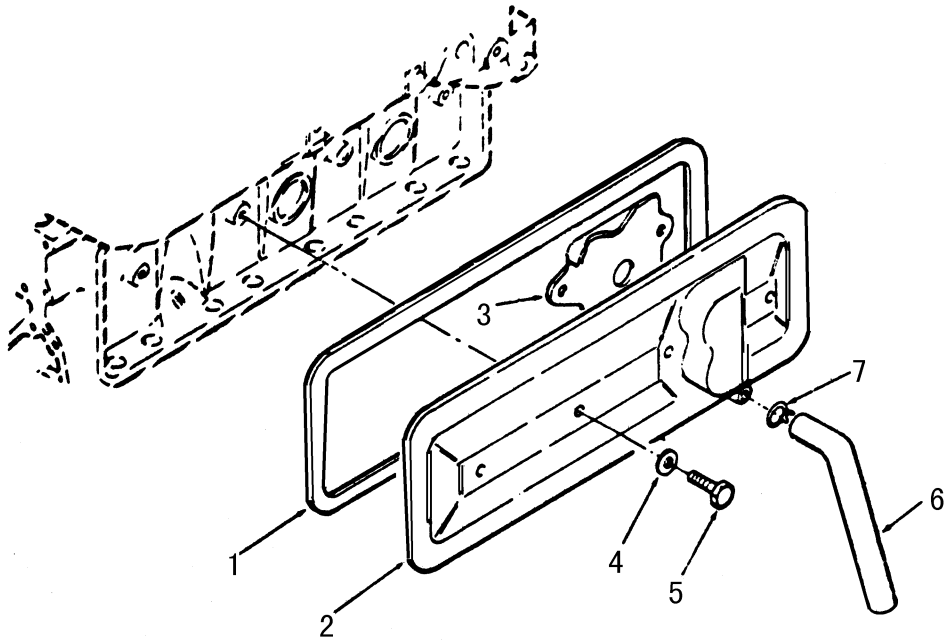
Oil Level Dipstick Fig • 5AD15

No.	Part No.	Part Name & Description	Qty.
1	A3922886	Tube ass'y, dipstick	1
2	Q340B08	Nut	1
3	A3900629	Bolt	1
4	A3900955	Plug, expansion	2
5	A108722	Clip	1
6	A3907708	Dipstick ass'y	1
7	A3905821	Bracket, dipstick	1
8	Q1841225	Bolt	2
9	A3960369	Hanger, rear	1

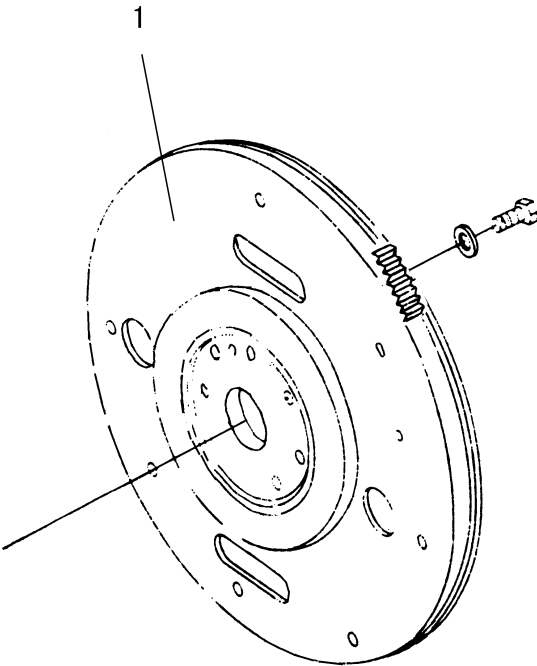




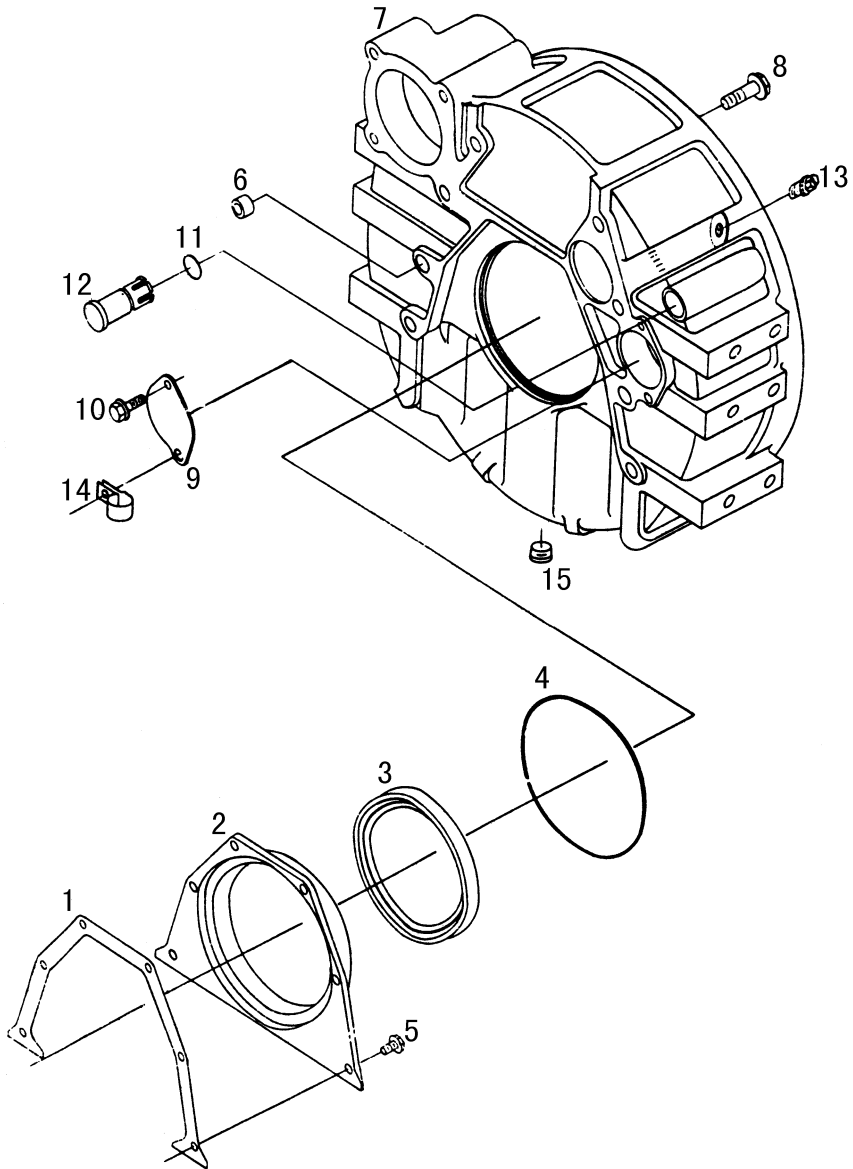




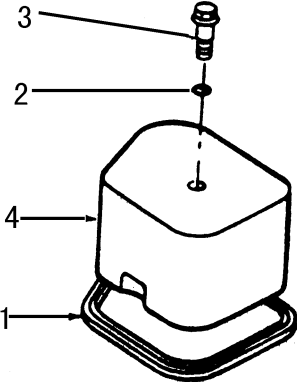
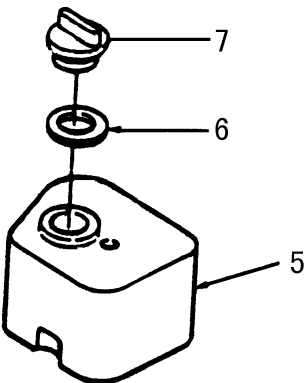










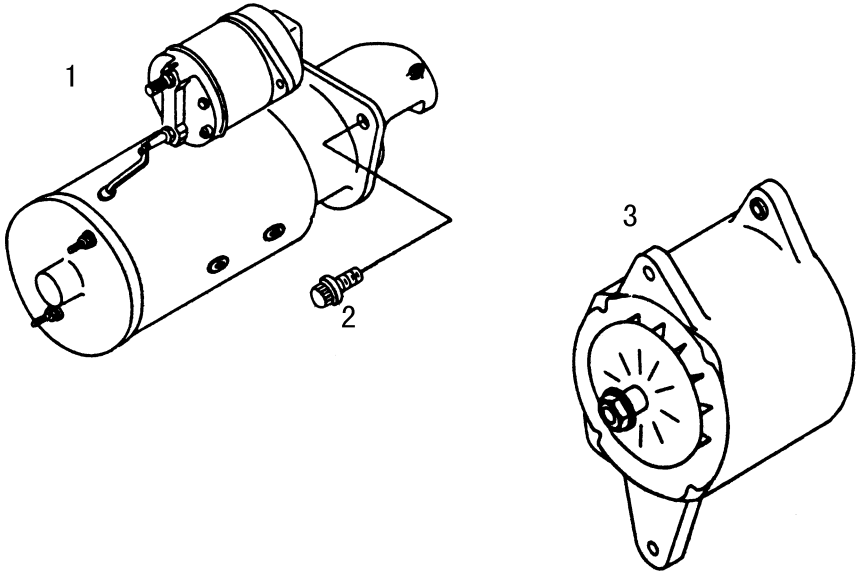




Valve Chamber Cover

Fig • 5AD20

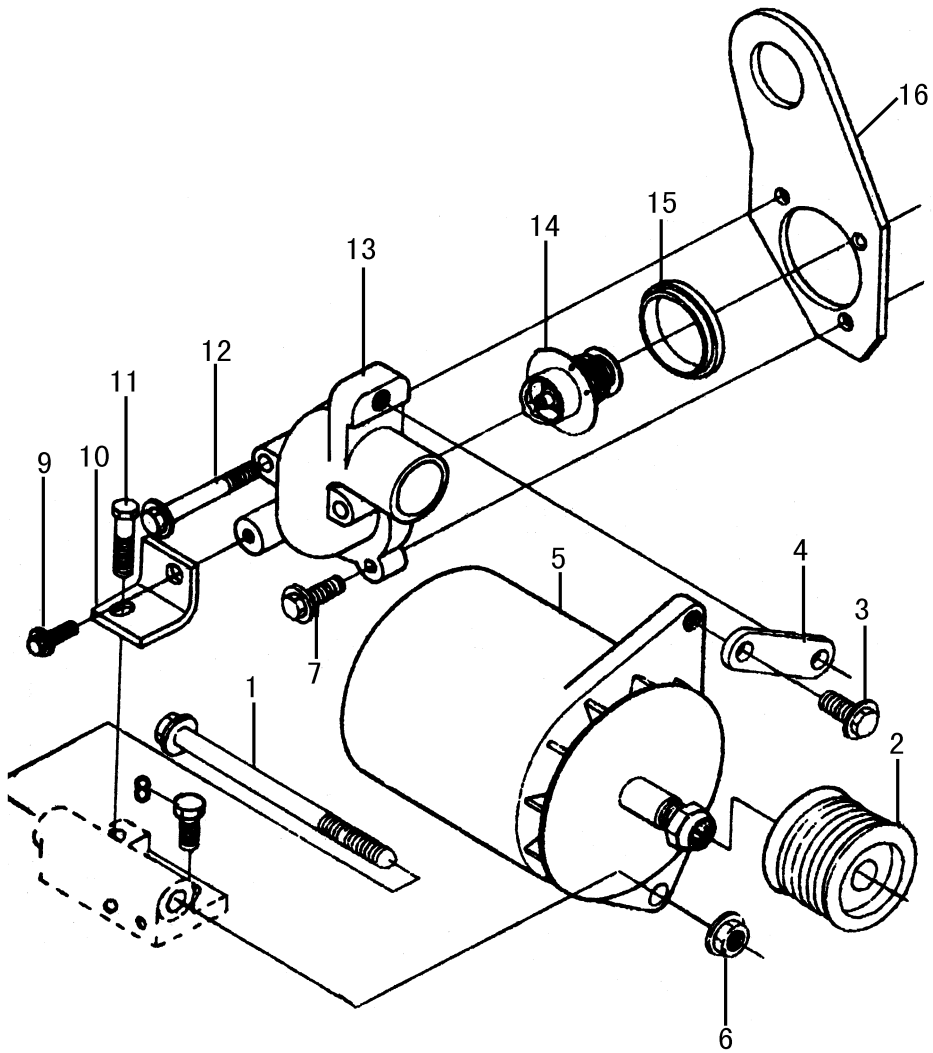
No.	Part No.	Part Name & Description	Qty.
1	A3902666	Gasket	4
2	A3960326	O-ring	4
3	A3960357	Bolt	4
4	A3960372	Cover, valve chamber	3
5	A3960373	Cover, valve chamber with oil refilling tube	1
6	A3902363	Ring, seal	1
7	A3901895	Cap, oil refilling tube	1



Starter, Alternator

Fig • 5AD21

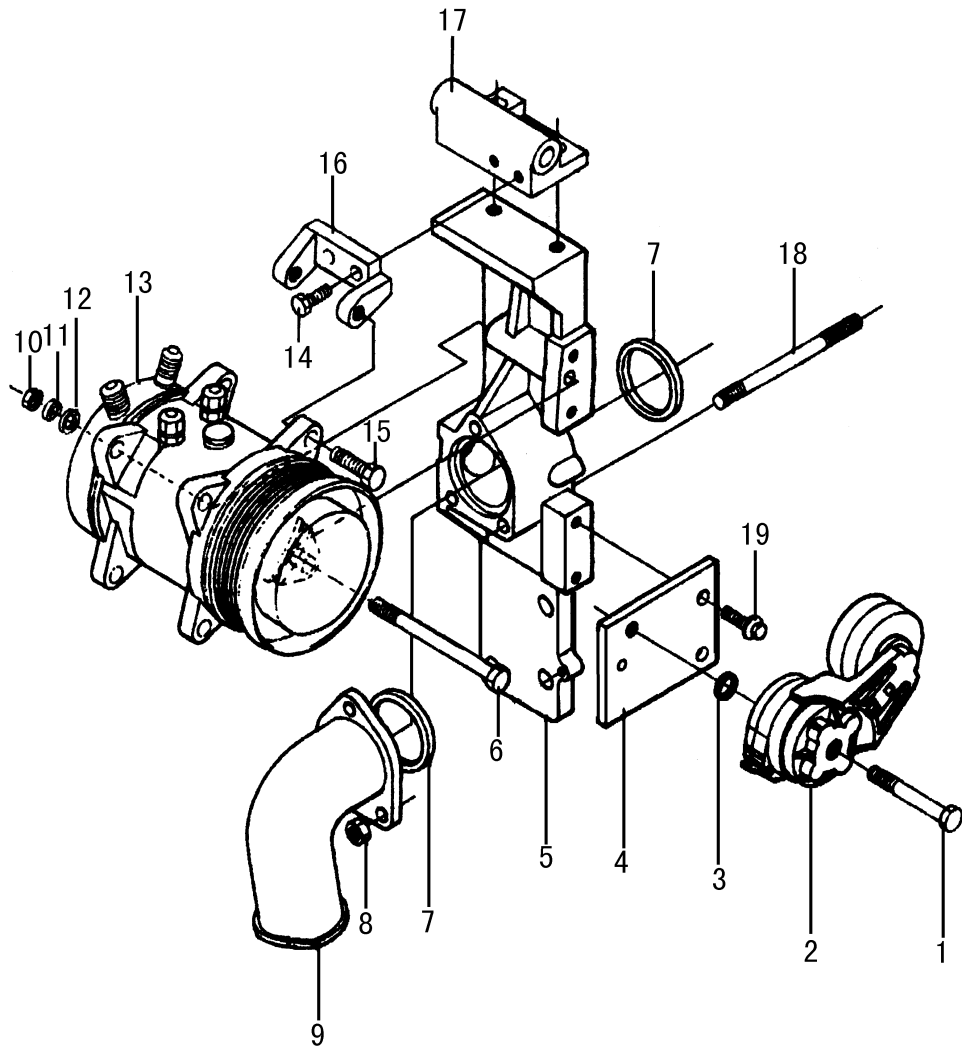
No.	Part No.	Part Name & Description	Qty.
1	37V66-08010-A	Starter ass'y	1
2	A3903834	Bolt	3
3	37V66-01010	Alternator ass'y	1



Thermostat And Alternator  
Bracket

Fig • 5AD22

No.	Part No.	Part Name & Description	Qty.
1	A3903105	Bolt	1
2	A3920560	Pulley, alternator	1
3	Q1841225	Bolt	2
4	A3960350	Bracket, alternator	1
5	37V66-01010	Alternator ass'y	1
6	Q32012	Nut	1
7	A3900632	Bolt	1
8	Q150B1025	Bolt	1
	Q40310	Washer, spring	1
9	Q1840825	Bolt	1
10	A3960083	Bracket	1
11	Q150B1040	Bolt	1
	Q40310	Washer, spring	1
12	A3903096	Bolt	2
13	A3960078	Seat, thermostat	1
14	1306R2-010-B2	Thermostat	1
15	A3923331	Seal, thermostat	1
16	A3913929	Hanger, front	1



Pulley Tensioner, Air-condition  
Compressor, Intake Pipe And  
Installation Console

Fig • 5AD23

No.	Part No.	Part Name & Description	Qty.
1	Q150B1075	Bolt	1
2	A3924026	Tensioner, belt	1
3	Q40110	Washer	1
4	A3924012	Plate, pulley tensioner	1
5	A3960082	Bracket	1
6	Q150B10120	Bolt	1
7	A3906697	Gasket	2
8	Q340B10	Nut	1
	Q40310	Washer, spring	3
9	A3960370	Inlet, water	1
10	Q340B10	Nut	3
11	Q40310	Washer, spring	3
12	Q40110	Washer	1
13	81V46-04200	Air condition compressor	1
14	Q1840825	Bolt	2
15	Q150B1035	Bolt	2
16	A3960085	Bracket, air conditioner	1
17	A3960086	Bracket, alternator	1
18	Q1201080	Stud	3
19	Q1840825	Bolt	2

## 2. Engine System

---

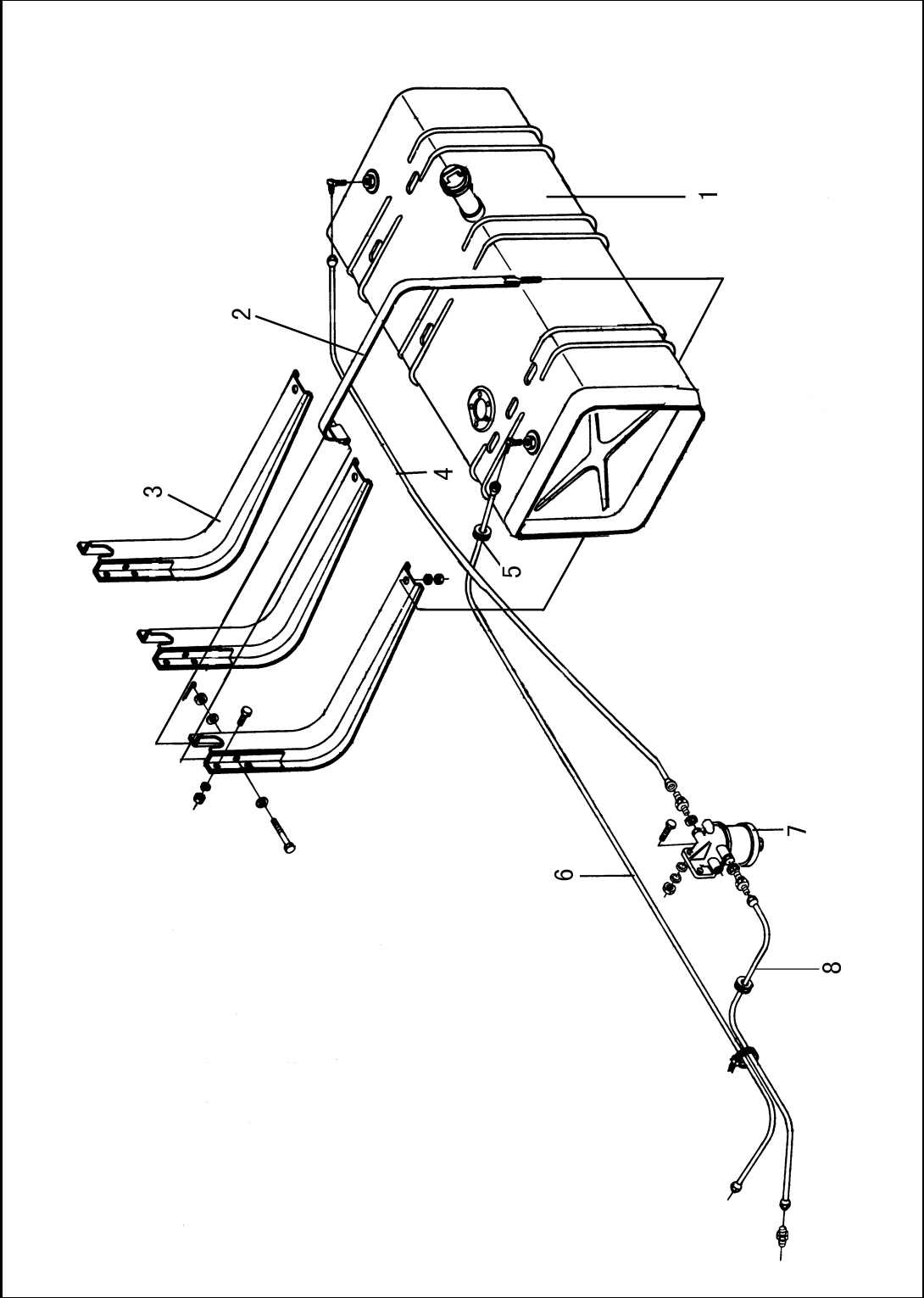
Fig.E1001	Engine Mounting.....	2-1
Fig.E1101	Fuel Supply System.....	2-3
Fig.E1102	Throttle Controlling Mechanism.....	2-5
Fig.E1103	Inlet System.....	2-8
Fig.E1104	Intercooling System.....	2-11
Fig.E1201	Exhaust System.....	2-13
Fig.E1301	Cooling System .....	2-16



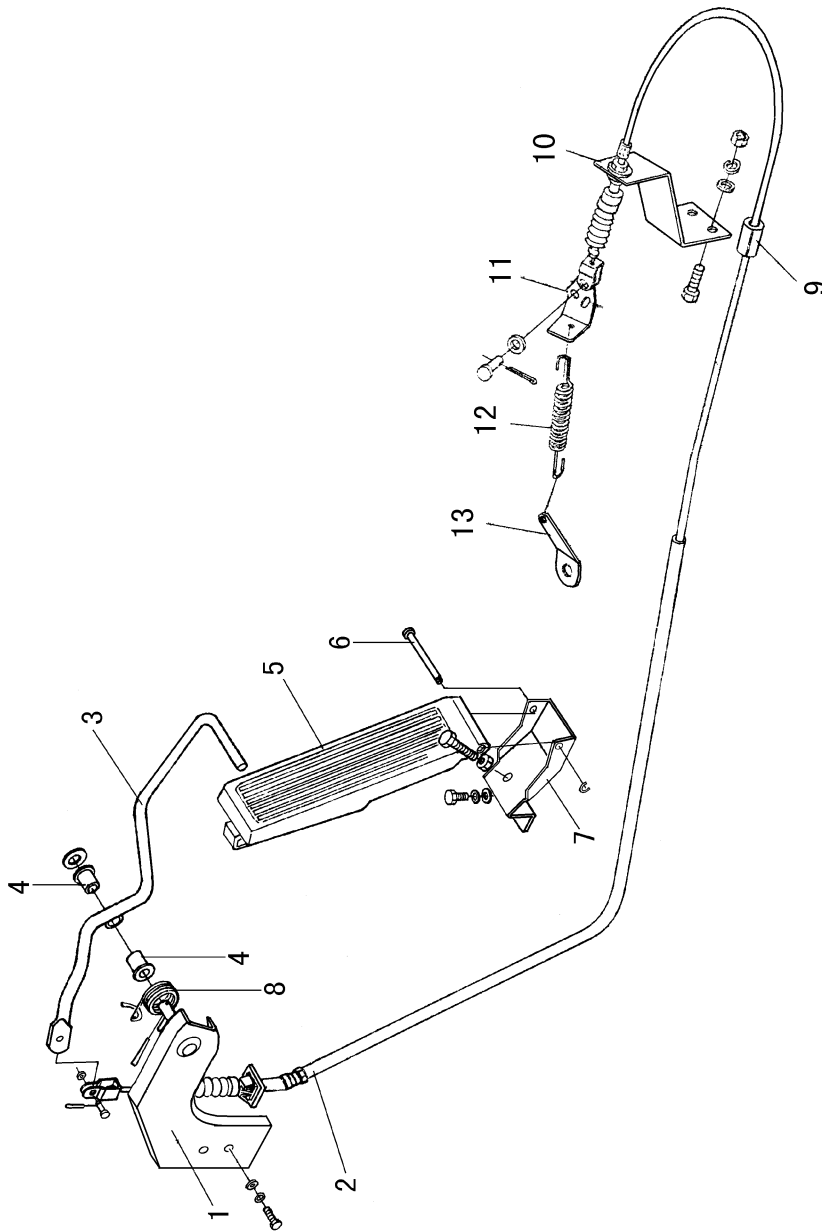




Engine Mounting			Fig • E1001
No.	Part No.	Part Name & Description	Qty.
1	10Q01-01016-C	Support--front engine mounting	2
	Q4501238	Rivet--bracket to frame	8
2	10C-01019	Bolt	2
	Q40212	Plain washer	2
	Q40312	Spring washer	2
3	10Q01-01020-B	Front mounting cushion assy	2
	Q40310	Spring washer	4
	Q340B10	Nut	4
4	10Q01-01014-B	Front mounting right bracket	1
	Q150B1030	Bolt	3
	Q40310	Spring washer	3
5	10Q01-01013-B	Front mounting left bracket	1
	Q150B1030	Bolt	3
	Q40310	Spring washer	3
6	10Q54-01053	Engine rear mounting cushion	2
	10Q57-01052	Inner bushing--engine rear mounting cushion	2
	Q150B16100	Hex bolt	2
	Q40116	Plain washer	4
	Q340B16	I type hex nut	4
7	10Q54-01037	Bushing--engine rear mounting cushion	2
8	10V65A-01060	Rear mounting left bracket assy	1
	Q150B1030	Hex bolt	3
	Q40316	Spring washer	3
9	10V65A-01065	Rear mounting right bracket assy	1
	Q150B1030	Hex bolt	3
	Q40316	Spring washer	3



Fuel Supply System			Fig • E1101
No.	Part No.	Part Name & Description	Qty.
1	1101V65-001	Fuel tank assy	1
2	11Q01-01110	Clamp ring--fuel tank	3
	Q340B10	I type hex nut	6
	Q40108	Plain washer	6
	Q40110	Plain washer	3
	Q500B3216	Cotter pin	3
	Q510B0850	Axis pin	3
3	11Q01-01105-A	Fuel tank bracket assy	3
	Q150B1030	Bolt	12
	Q340B10	I type hex nut	12
	Q40110	Plain washer	24
	Q40310	Spring washer	12
4	1104A6-V65C	Hose--from fuel tank to prefilter	1
	11.2D-04027	Washer--diesel oil prefilter	2
	35N-06109	Pipe joint	2
	RQ860B10105	Fuel supply hose assy	1
	ZD250X7.5	Nylon lacing	2
5	11.2D-04034	Ring with channel	1
6	1104K6-V65C	Hose--oil return	1
	11.2D-04034	Ring with channel	1
	RQ86008115	Hose assy	1
	ZD250X7.5	Nylon lacing	2
7	1119G-019	Diesel oil prefilter assy	1
8	1104B6-V65C	Hose--prefilter to fuel pump	1
	11.2D-04034	Ring with channel	1
	RQ860B10065	Hose assy	1
	ZD250X7.5	Nylon lacing	1



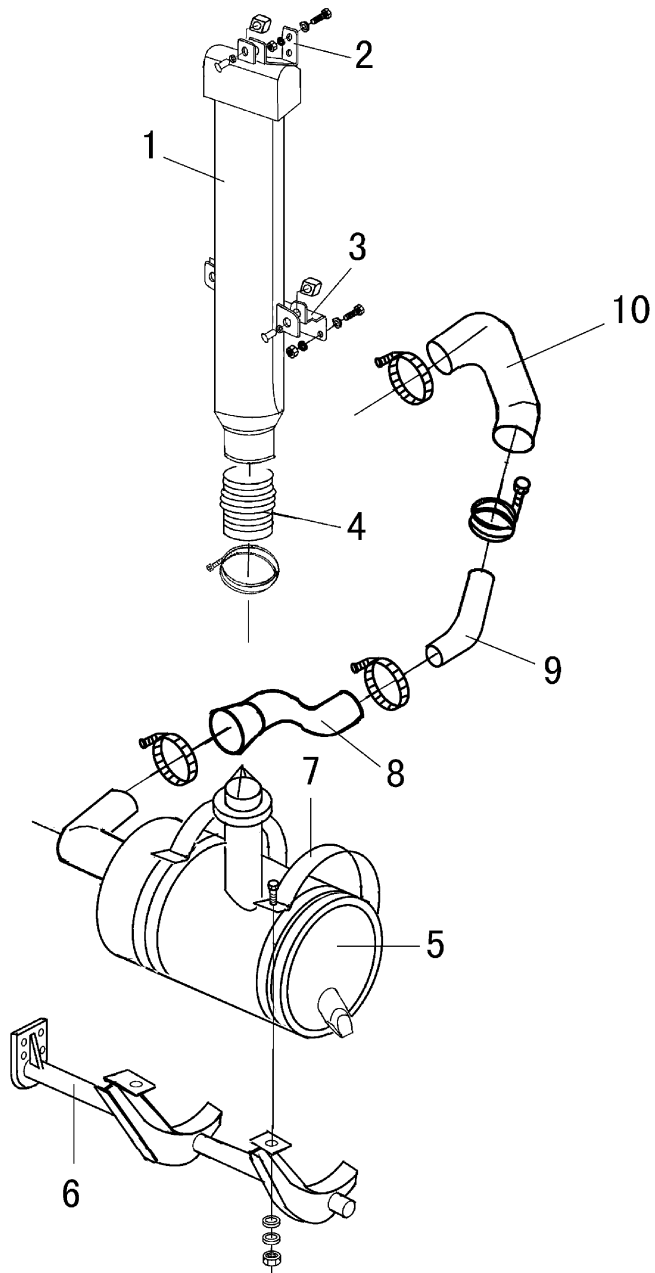
## Throttle Controlling Mechanism

Fig • E1102

No.	Part No.	Part Name & Description	Qty.
	11V66-08020-A	Acceleration drive mechanism assy (included NO.1--4)	1
1	11V66-08030-A	Limiting bracket assy	1
	Q150B0820	Bolt	3
	Q40108	Plain washer	3
	Q40308	Spring washer	3
2	11V65-08050	Acceleration drive controlling cable assy	1
	Q40106	Plain washer	2
	Q500B1620	Cotter pin	2
	Q510B0614	Axis pin	2
3	11V66-08025-A	Acceleration push rod assy	1
	Q40112	Plain washer	1
	Q500B2530	Cotter pin	1
4	11N-08036	Plastic bushing	2
	11V66-08010	Accelerator pedal assy (included NO.5--7)	1
5	11QA-08011	Accelerator pedal	1
6	11V66-08014	Axis pin--connecting pedal bracket and pedal	1
7	11V66-08015-A	Accelerator pedal bracket assy	1
	11V66-08016	Limiting pipe	1
	Q150B0830	Bolt	1
	Q350B08	Hex thin nut	1
	Q40106	Plain washer	1
	Q150B0614	Bolt	2
	Q40106	Plain washer	2
	Q40306	Spring washer	2
8	11QA-08023	Return spring	1
9	NZ-66-120-1	Nylon clamp ring	2
10	11N-08081-B	Adjusting fixed plate--acceleration controlling cable	1
	Q150B0620	Bolt	2

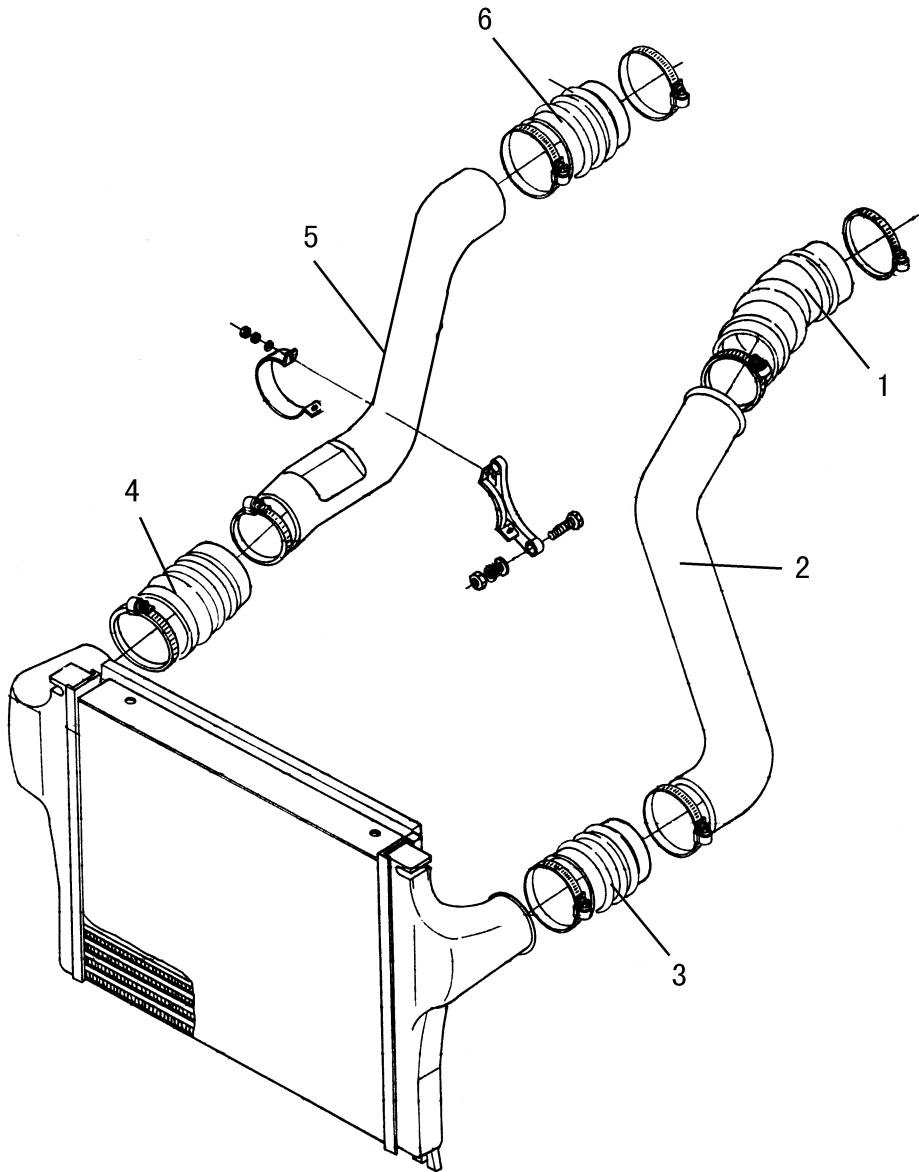




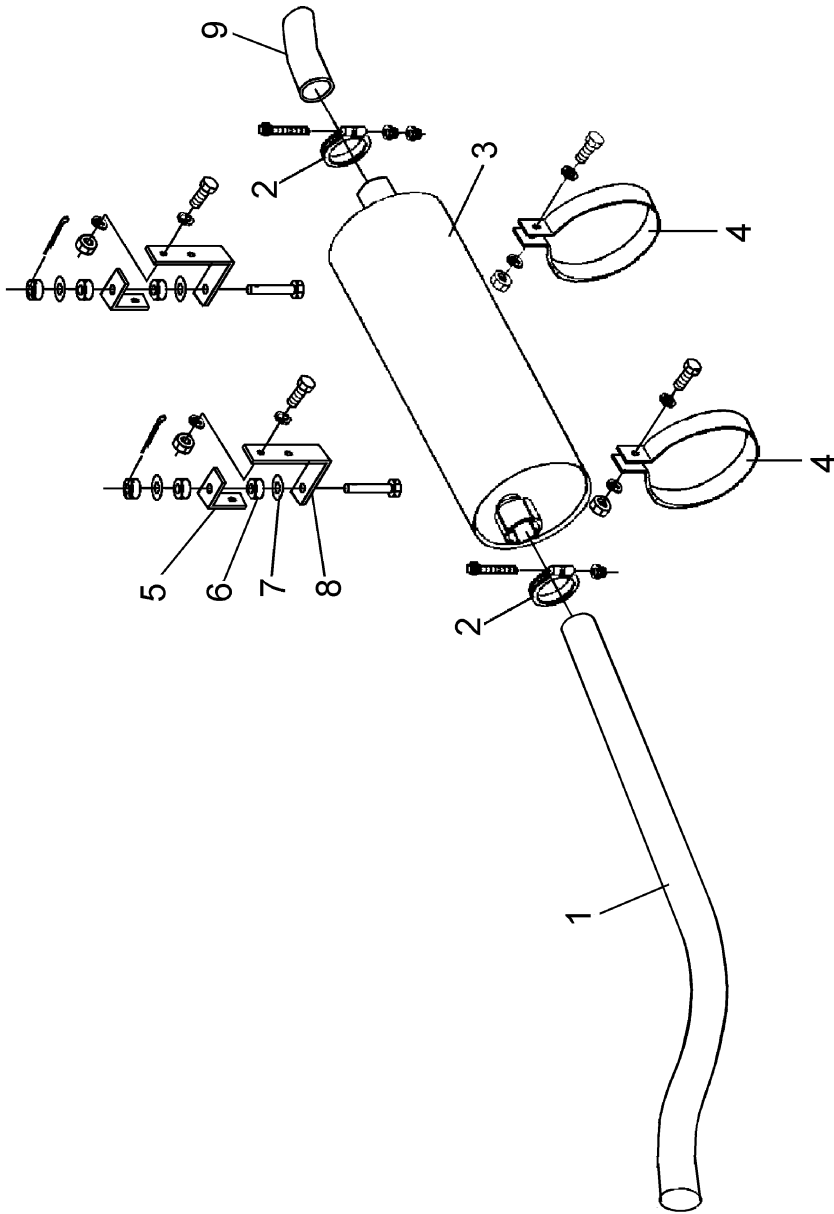


Inlet System			Fig • E1103
No.	Part No.	Part Name & Description	Qty.
1	11V50-09010	Inlet pipe assy	1
2	11V67-09061	Upper bracket	1
	11V50-09069	Inlet cap cushion--body	1
	Q150B0820	Bolt	2
	Q40108	Plain washer	2
	Q40308	Spring washer	2
	Q340B08	I type hex nut	2
3	11V67-09071	Lower bracket	1
	Q150B0820	Bolt	2
	Q40108	Plain washer	2
	Q40308	Spring washer	2
	Q340B08	I type hex nut	2
	11V50-09065	Inlet pipe cushion assy	3
	Q40106	Plain washer	6
	Q40308	Spring washer	6
	Q340B08	I type hex nut	6
4	11V50-09042	Air filter inlet hose	1
	Q672120	Clamp	1
5	1109V65-010	Air filter assy	1
	1109.6B-020	Main cartridge assy	1
	1109.6B-030	Safety cartridge assy	1
6	11V93B-09015	Air filter bracket assy	1
7	11Q01-09019	Air filter clamp	2
	Q150B1035	Bolt	8
	Q40110	Plain washer	8
	Q40310	Spring washer	8
	Q340B10	I type hex nut	8
8	11V65-09023	Inlet hose-- II	1





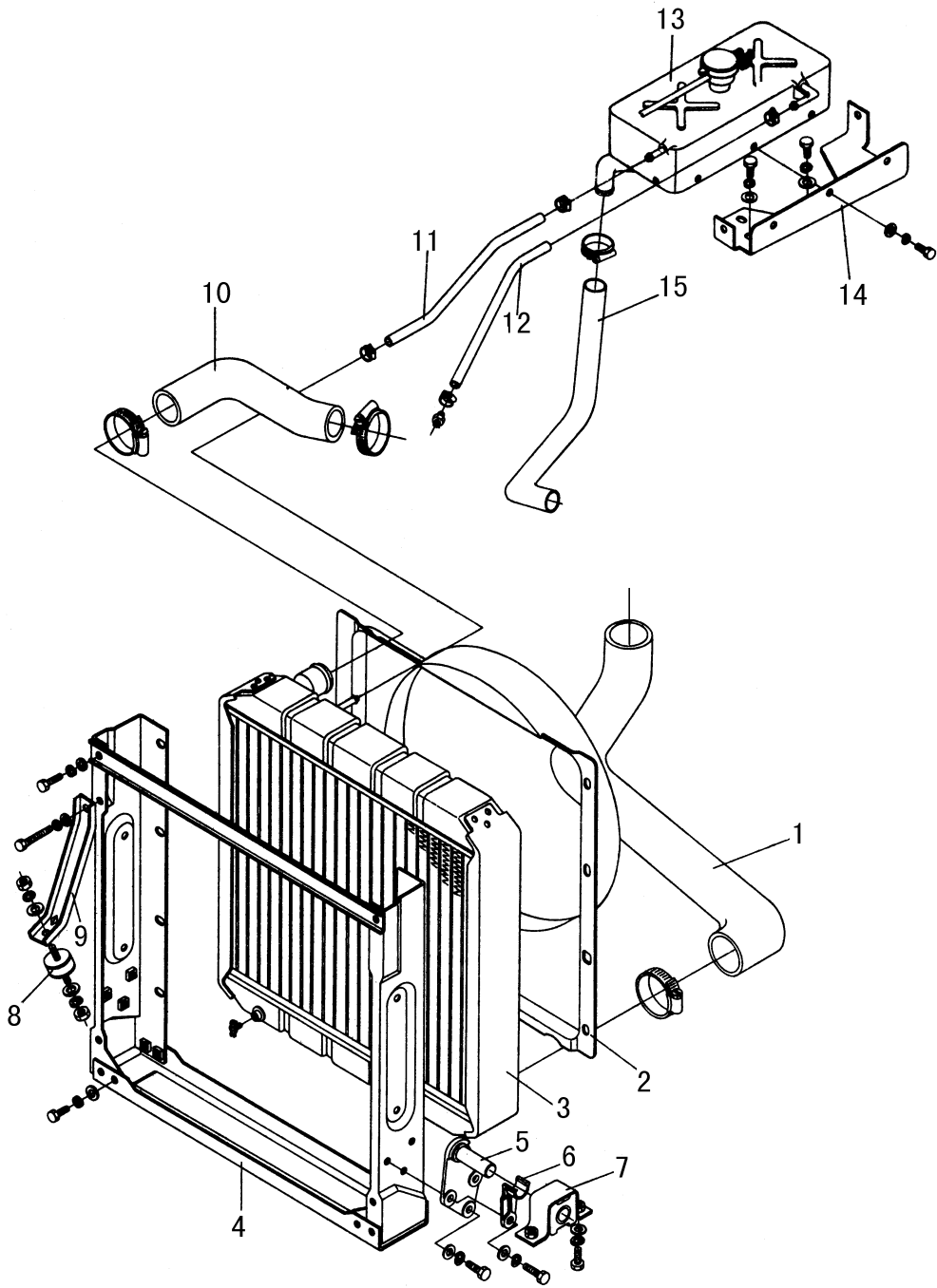




Exhaust System			Fig • E1201
No.	Part No.	Part Name & Description	Qty.
1	12V65C-03010	Inlet pipe assy--muffler	1
	Q120B1045	Bolt	2
	Q340B10	Nut	4
2	12D-03032	Clamp--to fix the rear end of muffler	2
	12D-03039	Muffler screw (front)	1
	Q40310	Spring washer	1
	Q150B1035	Bolt (rear)	1
	Q40110	Plain washer	1
	Q340B10	Nut	3
	1201Q01-010	Muffler assy	1
4	12D-03033-A	Clamp--to fix the muffler	2
	12D-03039	Muffler screw	2
	Q40310	Spring washer	2
	Q340B10	I type hex nut	2
5	12.6B-03029	Support plate	2
	Q150B1025	Bolt	2
	Q340B10	Nut	2
	Q40110	Plain washer	2
	Q40310	Spring washer	2
6	12DD-03027	Cushion	4
7	12DD-03028	Spacer--cushion	4
	Q173B1265	Bolt with hole in the stem	2
	Q381B12	I type hex nut	2
	Q500B3230	Cotter pin	2
8	12Q01-03026	Supporting plate	2
	Q150B1030	Bolt	4
	Q40110	Plain washer	4
	Q40310	Spring washer	4







Cooling System			Fig • E1301
No.	Part No.	Part Name & Description	Qty.
1	13V65-03012	Radiator water outlet hose	1
	JK-442.080	Clamp	2
2	13V65-09011	Fan shroud	1
	Q150B0816	Bolt	2
	Q150B0825	Bolt	5
	Q150B0822	Bolt	5
	Q40108	Plain washer	8
	Q40308	Spring washer	8
3	1301Q01-010-A	Radiator assy	1
4	13V65-02001	Radiator frame set	1
	13Q01-02101	Bracket drag link	1
	13Q01-02131	Bracket lower support plate	1
	13V65-02120	Bracket right support plate assy	1
	13V65-02110	Bracket left support plate assy	1
	Q150B1020	Bolt	10
	Q40110	Plain washer	10
	Q40310	Spring washer	10
5	13V65-02040	Radiator bracket assy	2
	Q150B1025	Bolt	4
	Q40110	Plain washer	4
	Q40310	Spring washer	4
6	13V65-02036	Radiator stop block	2
	Q150B1030	Bolt	2
	Q40110	Plain washer	4
	Q40310	Spring washer	4
7	13Q01-02030	Radiator cushion support assy	2
	Q40110	Plain washer	4
	Q40310	Spring washer	4

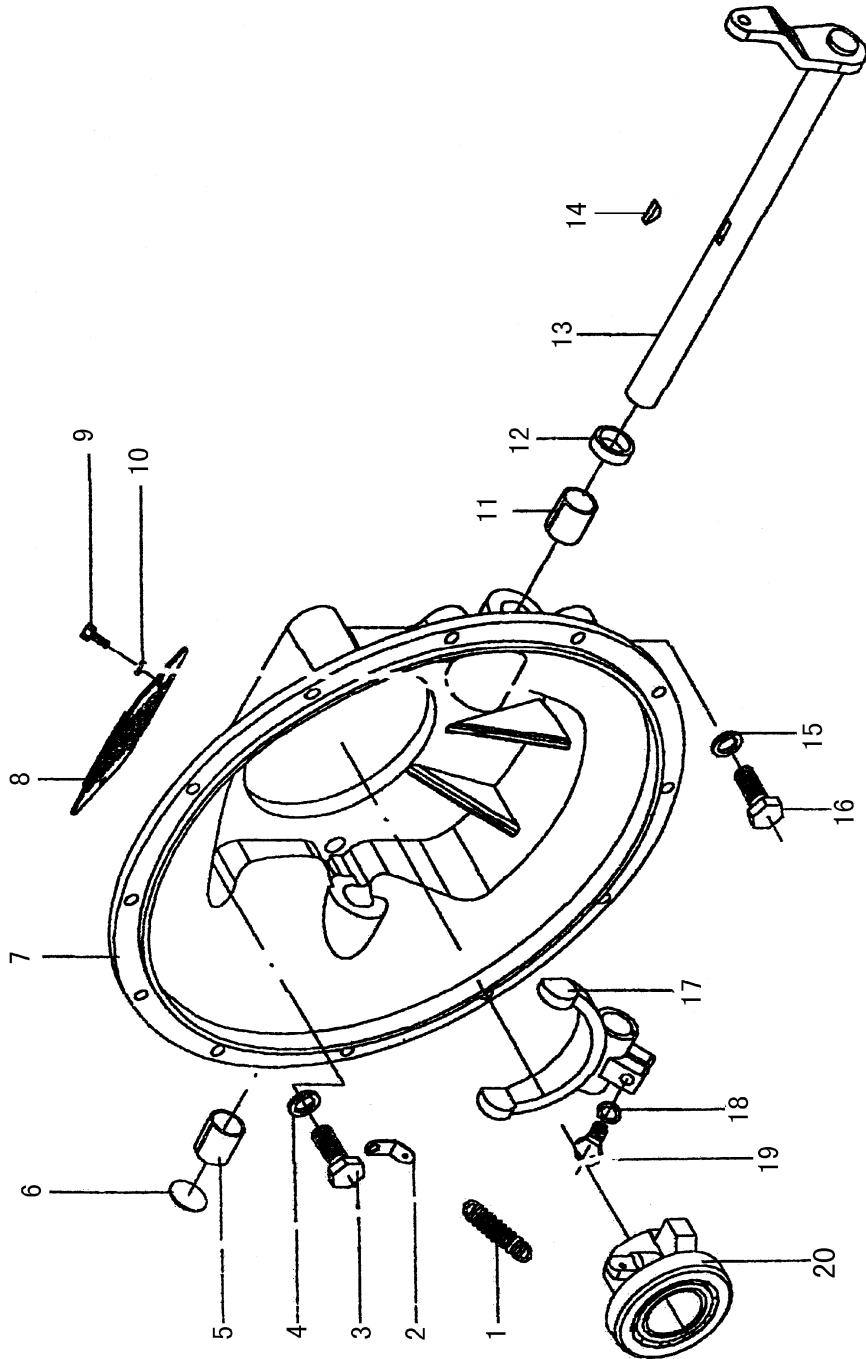
Cooling System			Fig • E1301
No.	Part No.	Part Name & Description	Qty.
	Q150B1025	Bolt	4
8	13Q01-02015	Vibration isolation cushion assy	2
	Q40110	Plain washer	4
	Q40310	Spring washer	4
	Q340B10	I type hex nut	4
9	13V65-02026 – A	Side support	2
	Q150B1025	Bolt	2
	Q40110	Plain washer	2
	Q40310	Spring washer	2
10	13V65C-03011	Radiator water inlet hose	1
	JK442.060	Clamp	2
11	13V65-11051	Thermostat degassing hose	1
12	1311Q04-061	Steam outlet pipe	1
13	1311V65C-010	Expansion tank assy	1
14	13Q04-11066-B1	Expansion tank support	1
	Q150B0818	Bolt	5
	Q40108	Plain washer	5
	Q40308	Spring washer	5
15	13Q01-11057	Front water return hose	1
	JK-442.040	Clamp	2

# 3.Clutch

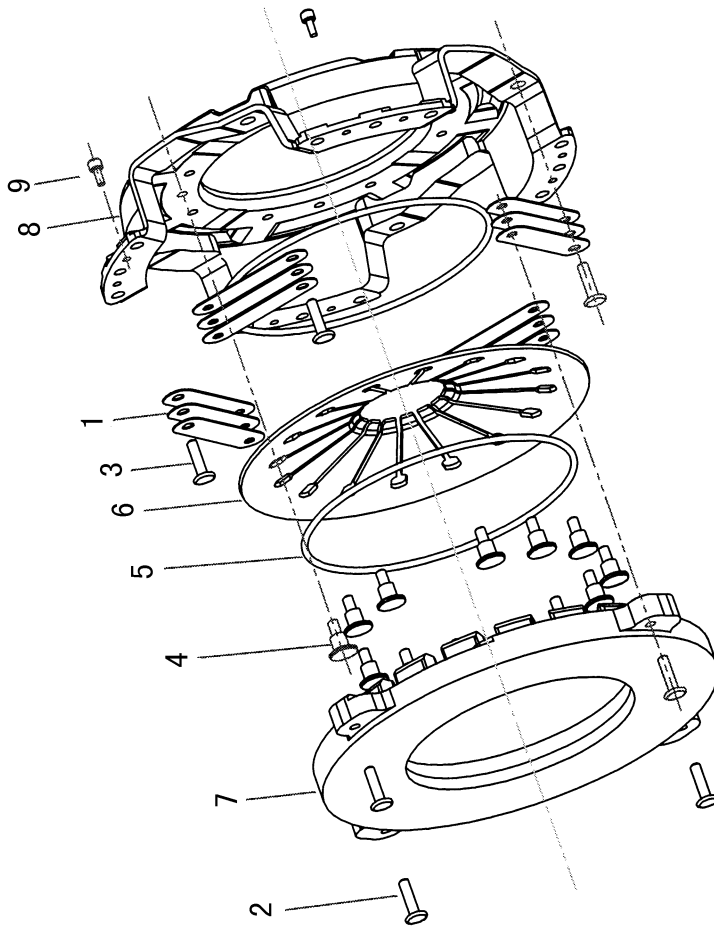
---

Fig.C1601	Clutch Housing .....	3-1
Fig.C1602	Clutch Cover .....	3-3
Fig.C1603	Clutch Driven Disc .....	3-5
Fig.C1604	Clutch Controlling Pipe .....	3-7
Fig.C1605	Clutch Controlling Mechanism .....	3-9



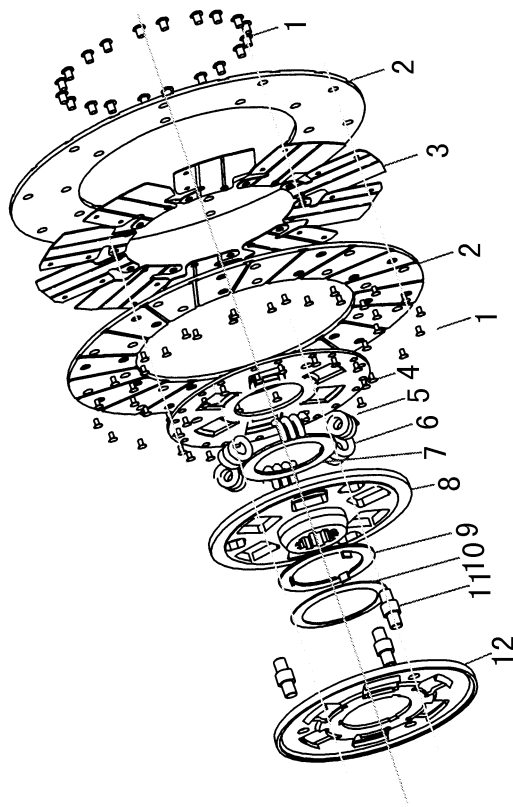


Clutch Housing			Fig • C1601
No.	Part No.	Part Name & Description	Qty.
1	16C-02052	Release bearing return spring	1
2	16C-02053	Return spring hook	1
3	Q150B1640	Bolt	1
4	Q40316	Spring washer	4
5	16N-01019	Bushing	1
6	Q72132	Spacer	1
7	16K1-01015	Clutch housing	1
8	16DD-01013	Clutch vent cap	1
9	Q150B0612	Bolt	2
10	Q40306	Spring washer	2
11	16N-01019	Bushing	1
12	16.6B-02067	Clutch release fork spacer sleeve	1
13	16.6B-02060	Release fork shaft and release fork assy	1
14	Q5500625	woodruff key	1
15	Q40316	Spring washer	2
16	Q150B1645	Bolt	2
17	16DD-02063	Clutch release fork	1
18	Q40310	Spring washer	1
19	Q150B1035	Bolt	1
20	16.6B-02050	Relese bearing seat and release bearing assy	1

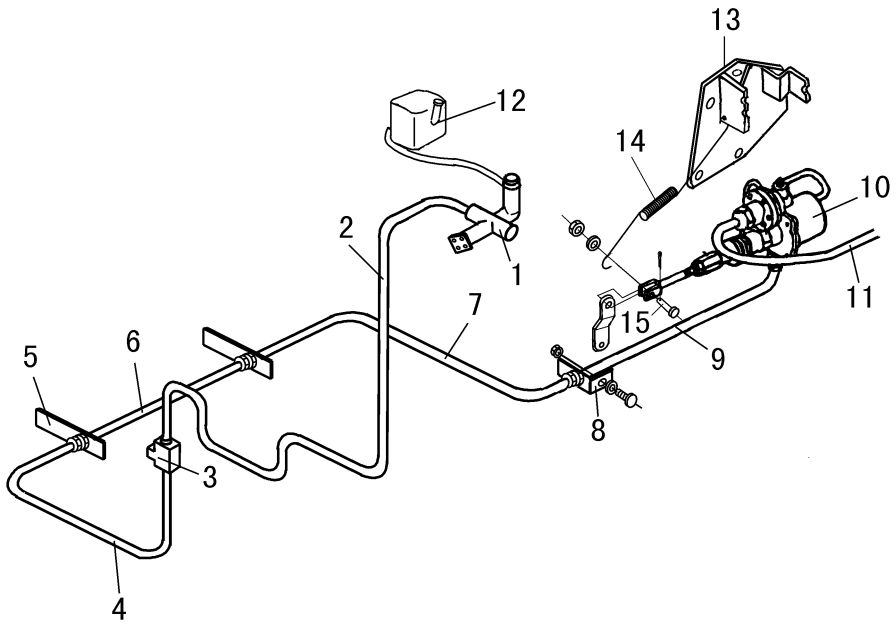




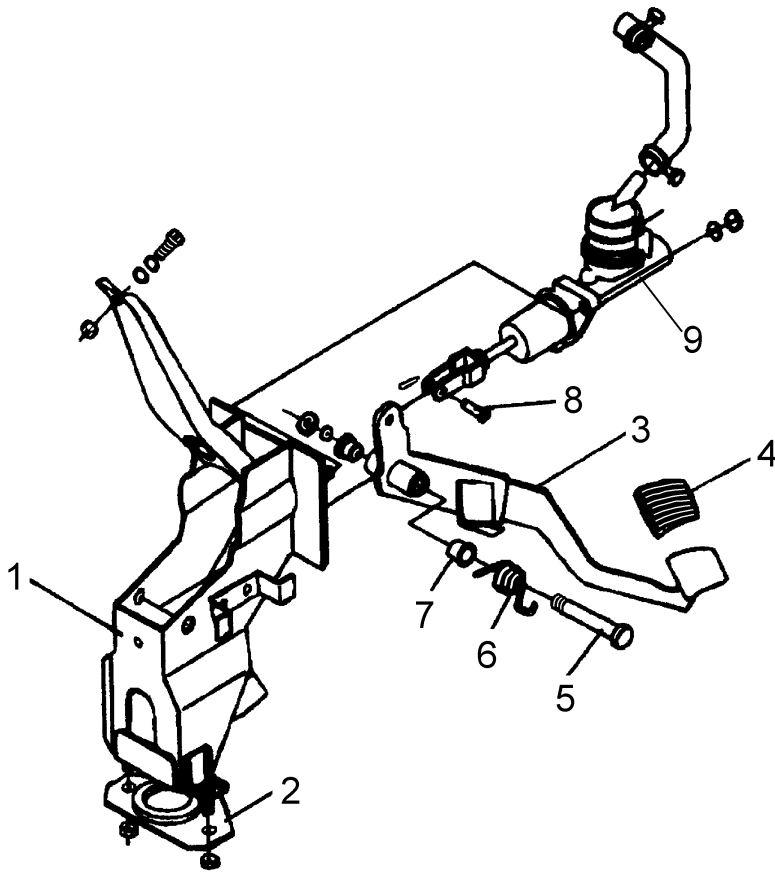








Clutch Controlling Pipe			Fig • C1604
No.	Part No.	Part Name & Description	Qty.
1	1604V45-010-A	Clutch master cylinder assy	1
	Q340B08	I type hex nut	2
	Q40308	Spring washer	2
2	16V66-06030	Oil pipe assy--clutch master cylinder to slave cylinder	1
3	35QA-06013	Free flowing coupling	1
4	16V66-06035	2nd front oil pipe assy--clutch master cylinder to booster	1
5	35V66-06513	Hose bracket	1
	Q41010	Lock washer with inner sawtooth	2
	Q351B10	Hex thin nut	2
6	16V66-06040	Front hose assy--clutch	1
7	16V66-06050	Rear oil pipe assy--clutch master cylinder to booster	1
8	16V66-06066	Clutch rear oil pipe bracket	1
	Q150B1020	Bolt	1
	Q40310	Spring washer	1
	Q340B10	I type hex nut	1
	Q351B10	Hex thin nut	1
	Q41010	Hex thin nut	1
9	16N-06060	Rear hose assy--clutch	1
10	1608N-001	Booster assy	1
11	RQ85010360	Nylon hose assy	1
12	16V66-05010	Oil reservoir assy	1
13	16DA01-02040	Bracket set--Clutch booster	1
14	16A-02043	Return spring--release fork arm	1
15	Q510B1035	Axis pin	1
	Q500B2520	Cotter pin	1
	Q350B12	Hex thin nut	1
	Q40110	Plain washer	1



Clutch Controlling Mechanism

Fig • C1605

No.	Part No.	Part Name & Description	Qty.
1	16QF24-02110	Clutch pedal bracket assy	1
	Q150B0820	Bolt	1
	Q40108	Plain washer	1
	Q40308	Spring washer	1
	Q340B08	I type hex nut	1
2	16QA-02127-B	Lower fixed plate--pedal bracket	1
	Q32208	Hex lock nut with flange	2
	16QA-02020	Clutch pedal assy (included NO.3-7)	1
3	16QA-02021	Clutch pedal welding assy	1
4	35QA-04022	Pedal sleeve	1
5	16QA-02037	Clutch pedal shaft	1
	Q40308	Spring washer	1
	Q350B08	Hex thin nut	1
6	16QA-02039	Clutch pedal return spring	1
7	35QA-04019	Bushing--pedal assy	2
8	17QA-03122	Pin	1
	Q510B0820	Axis pin	1
9	1604V45-010-A	Clutch master cylinder assy	1

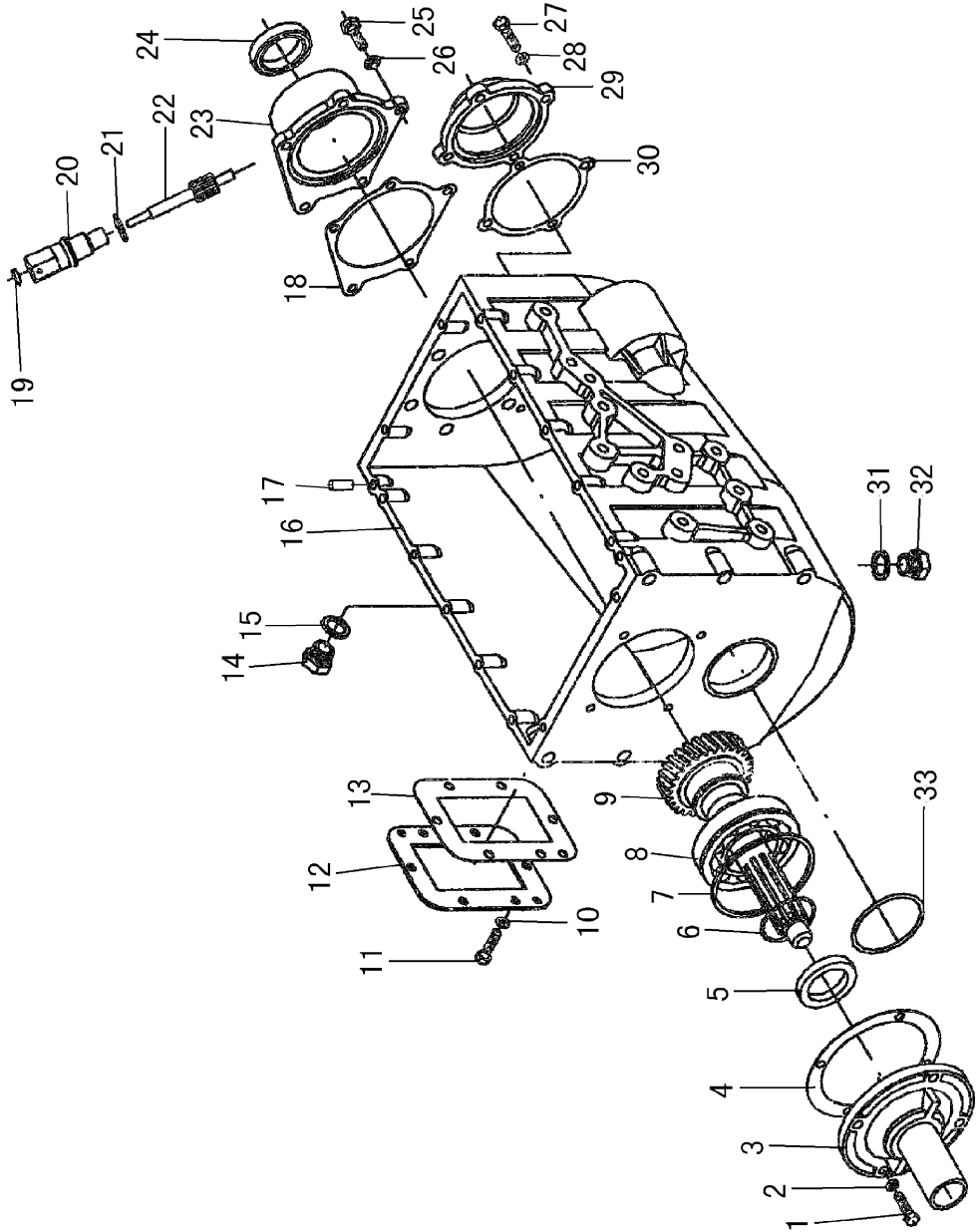
# 4. Transmission

---

Fig.T1701	Transmission Housing and Drive Gear Shaft .....	4-1
Fig.T1702	Transmission Mainshaft and Gear.....	4-4
Fig.T1703	Transmission Countershaft, Reverse Gear Shaft and Gear.....	4-7
Fig.T1704	Transmission Cover.....	4-9
Fig.T1705	Transmission Controlling Mechanism.....	4-12

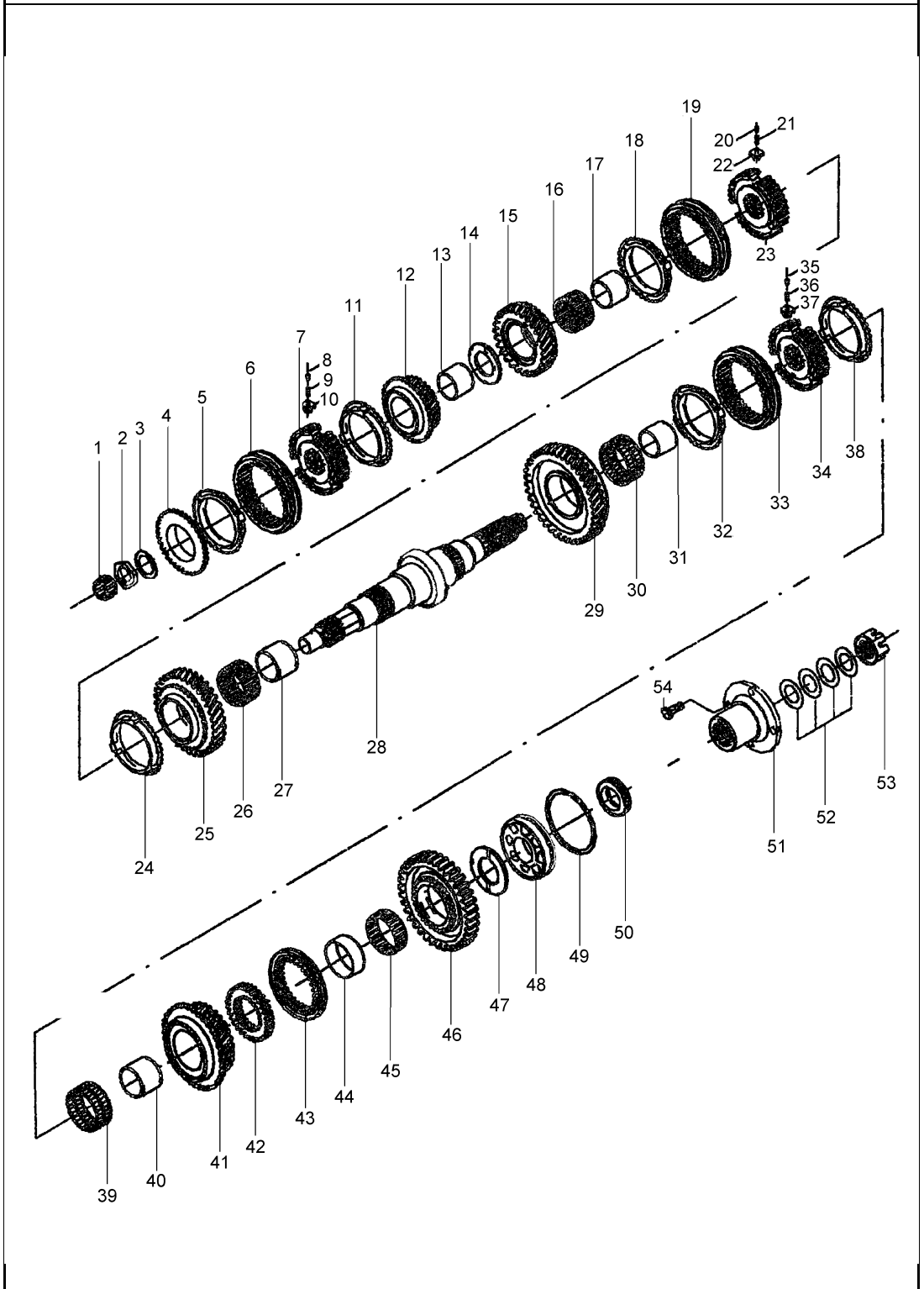






Transmission Housing and Drive Gear Shaft			Fig•T1701
No.	Part No.	Part Name & Description	Qty.
1	Q150B1030-J0	Small hex guide bolt	4
2	Q40310	Spring washer	4
3	1700K1-041	Bearing cover--drive gear shaft	1
4	1700E--042	Bearing cover spacer--drive gear shaft	1
5	1700D4-001	Oil seal --transmission drive gear shaft	1
6	Q43165	Snap ring for shaft	1
7	Q433120	Staved steel ring for shaft	1
8	150213	Rear bearing--transmission drive gear shaft	1
9	1700K16-031	Transmission drive gear shaft	1
10	Q40310	Spring washer	6
11	Q150B1020	Hex bolt	6
12	1700C-026	Cover board--power take-off hole	1
13	1700C-027	Cover board spacer--power take-off hole	1
14	1700K1-530	Oil screw plug assy	1
15	Q72324-9	Sealing washer	2
16	1700K45-025	Transmission housing	1
	Q5221026	Pin	2
17	Q5221026	Dowel pin	1
18	1700K1-152-B	Rear bearing seat spacer--mainshaft	1
19	1700N-525	Speedometer oil seal assy	1
20	1700N-526	Speedometer flexible joint	1
21	Q72327-9	Sealing washer	1
22	1700DE03-522	Speedometer driven gear	1
23	1700K13-151	Rear bearing seat--mainshaft	1
24	2402E03-060	Skeleton oil seal assy	1
25	Q150B1030-J0	Small hex guide bolt	5
26	Q40310	Spring washer	5
27	1700D4-630	Bolt--for bearing cover	4



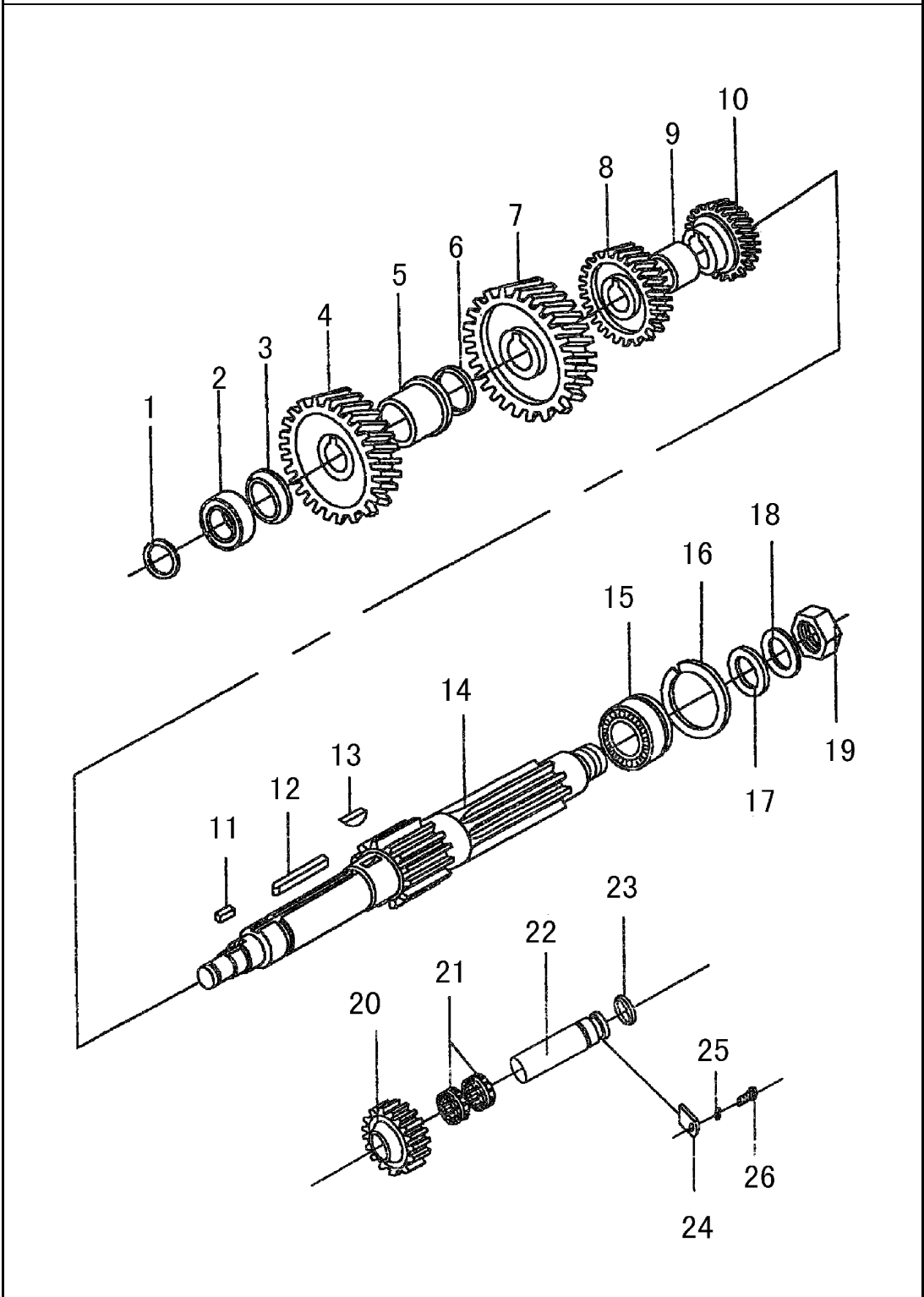


## Transmission Mainshaft and Gear

Fig•T1702

No.	Part No.	Part Name & Description	Qty.
1	Z*K324632	Front roller bearing--mainshaft	1
2	1700K1-145	Lock nut	1
3	1700K1-144	Lock nut lock shim	1
4	1700K6-032	Direct gear synchronizer conical ring	1
5	1700K1-148	5th, 6th gear baulk ring	1
6	1700K1-132	5th, 6th gear sliding sleeve	1
7	1700K1-146-B	5th, 6th gear fixed gear seat	1
8	1700N-184	5th, 6th gear synchronizer lockpin	3
9	1700N-186	Lockpin	3
10	1700N-183	Synchronizer push rod	3
11	1700N-182	5th, 6th gear baulk ring	1
12	1700K3-140	5th gear assy	1
13	1700K1-138	6th gear bearing seat ring	1
14	1700K1-139	6th gear thrust ring	1
15	1700K1-135-B	4th gear assy	1
16	Z*KK637040	Needle bearing	1
17	1700K1-149	4th gear bearing seat ring	1
18	1700N-182	4th gear baulk ring	2
19	1700K1-132	3rd, 4th gear sliding sleeve	1
20	1700N-184	3rd, 4th gear synchronizer lockpin	3
21	1700N-186	Lockpin	3
22	1700N-183	Synchronizer push block	3
23	1700K1-136-B	3rd, 4th gear fixed gear seat	1
24	1700N-182	3rd gear baulk ring	2
25	1700K1-130-B	3rd gear	1
26	Z*KK707740	Needle bearing	1
27	1700K1-133	3rd gear bearing seat ring	1
28	1700KT-105	Transmission mainshaft	1

Transmission Mainshaft and Gear			Fig•T1702
No.	Part No.	Part Name & Description	Qty.
29	1700KT-115	2nd gear assy	1
30	Z*KK758240	Needle bearing	1
31	1700NB-117	2nd gear bearing seat ring	1
32	1700NB-128-B	1st, 2nd gear baulk ring	1
33	1700KT-126	1st, 2nd gear synchronizer gear sleeve	1
34	1700KT-126	1st, 2nd gear synchronizer gear seat	1
35	1700N-184	3rd, 4th gear synchronizer lockpin	3
36	1700N-186	Lockpin spring	3
37	1700N-183	Synchronizer push block	1
38	1700NB-128-B	1st, 2nd gear baulk ring	1
39	K849244	Needle bearing	1
40	1700NB-117	2nd gear bearing seat ring	1
41	1700KT-110	1st gear--mainshaft	1
42	1700K1-181	Reverse gear seat	1
43	1700K1-183	Reverse gear slide sleeve	1
44	1700K1-178	Reverse gear bearing seat ring	1
45	Z*KK758230	Needle bearing	1
46	1700K1-182	Driven gear--reverse gear	1
47	1700K1-185-B	Reverse gear thrust spacer	1
48	Z*192310K	Rear roller bearing--mainshaft	1
49	Q433110	Staved steel ring for shaft	1
50	1700DE03-521	Drive gear--speedometer	1
51	1700K27-160	Mainshaft flange	1
52	1700K1-169	Disc spring	4
53	2402N-072	Hex slotted nut	1

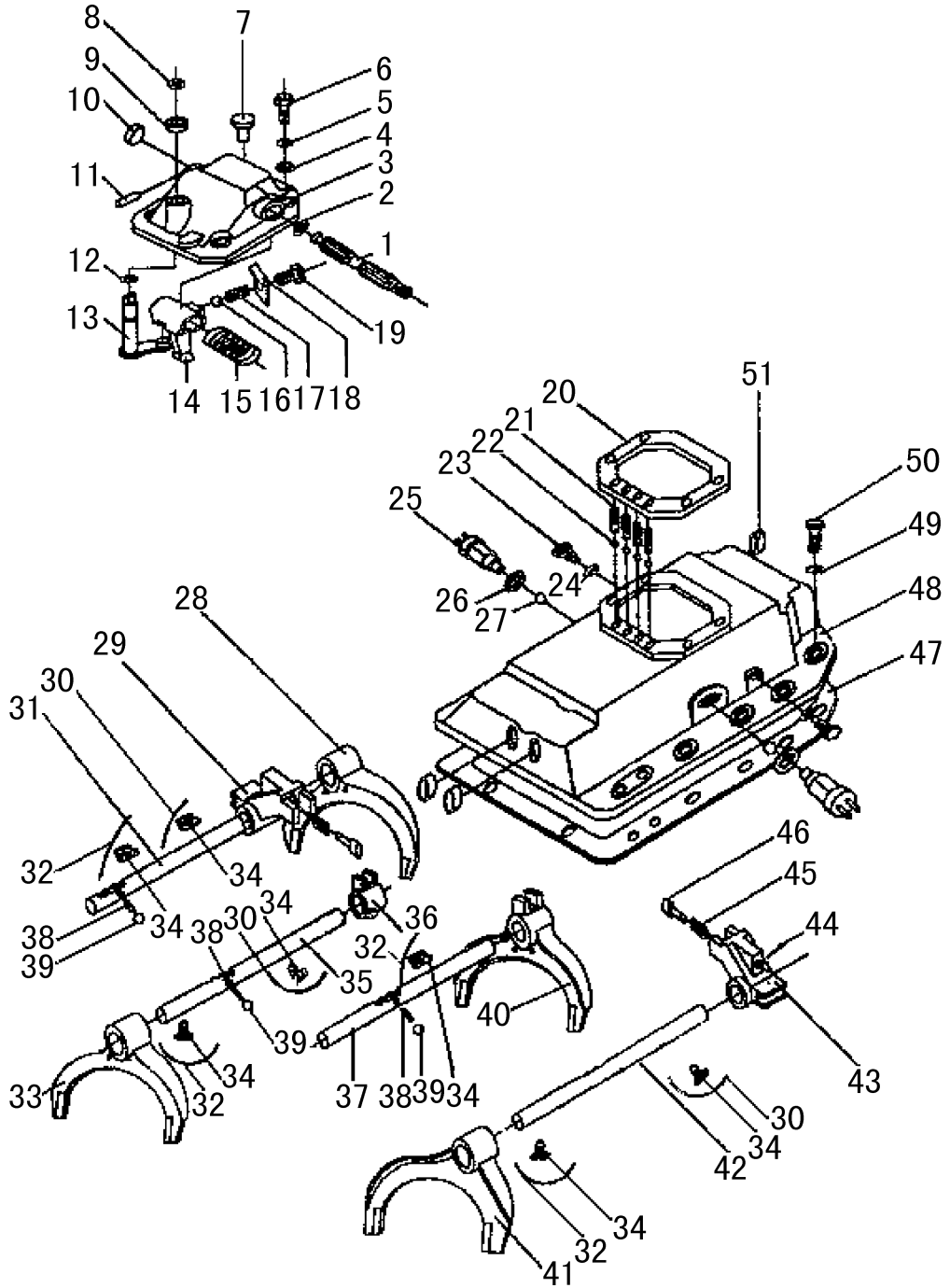




## Transmission Countershaft, Reverse Gear Shaft and Gear

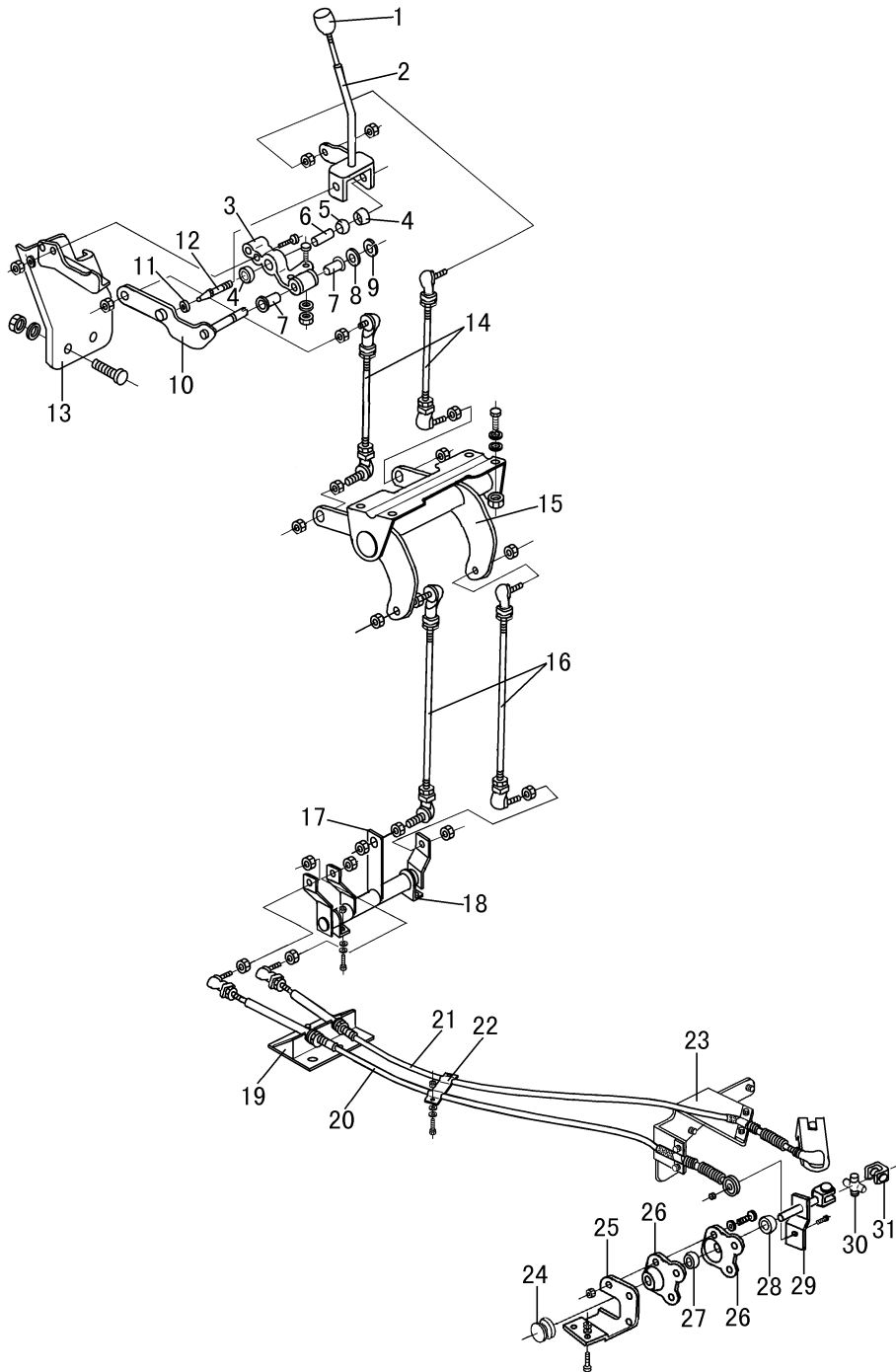
Fig•T1703

No.	Part No.	Part Name & Description	Qty.
1	Q43140	Snap ring for shaft	1
2	Z*42508	Countershaft front roller bearing	1
3	1700K1-063	Constant mesh gear thrust shim	1
4	1700K8-056-B	Countershaft constant mesh gear	1
5	1700K1-062	Countershaft 6th gear sleeve	1
6	1700K1-061	Countershaft 4th gear lock ring	2
7	1700K3-055	Countershaft 5th gear	1
8	1700K1-053-B	Countershaft 4th gear	1
9	1700K1-052	Sleeve	1
10	1700K1-051-B	Countershaft 3rd gear	1
11	1700N-054	Key	1
12	1700N-057	Key	1
13	Q5501038	Woodruff key	1
14	1700KT-048	Transmission countershaft	1
15	192309K	Countershaft rear roller bearing	1
16	Q433100	Steel ring for shaft	1
17	1700K1-143	Lock nut washer	1
18	1700K1-144	Lock nut lock spacer	1
19	1700K1-145	Lock nut	1
20	1700K1-082	Reverse gear	1
21	K384630	Reverse gear needle bearing	2
22	1700K1-092	Reverse gear shaft	1
23	1700N-093	O-ring	1
24	1700N-098	Reverse shaft lock spacer	1
25	Q40310	Spring washer	1
26	Q150B1020	Hex bolt	1



Transmission Cover			Fig • T1704
No.	Part No.	Part Name & Description	Qty.
1	1700K1-321	Controlling shaft	1
2	1700N-308	Oil seal	1
3	1700DE03-301	Top cover	1
4	Q40110	Plain washer	4
5	Q40310	Spring washer	4
6	Q150B1030	Hex bolt	4
7	1700N-350-A	Vent plug assy	1
8	Q43117	Snap ring for shaft	1
9	1700N-334	Washer	1
10	1700N-303	Cup spacer	1
11	1700N-328	Pin	1
12	1700N-331	O-ring	1
13	1700K17-330-A	Gear select rocker arm assy	1
14	1700K1-311	Gear shift lever	1
15	1700K1-327	Balancing spring --gear select	1
16	Q966095	Steel ball	1
17	1700N-313	Damping spring--reverse gear	1
18	1700N-314	Lock shim--spring seat	1
19	1700N-312	Damping spring seat--reverse gear	1
20	1700K1-302	Top cover spacer	1
21	1700C-291	Lock transmission fork shaft spring	4
22	Q966111	Steel ball	4
23	1700N-257	Limiting stop pilot bolt	2
24	Q40312	Spring washer	2
25	1700HY-470	Switch assy--for neutral, reverse gear	2
26	1700N-471	Spacer	2
27	Q966143	Steel ball	3
28	1700K4-252	Reverse shift fork	1

Transmission Cover			Fig • T1704
No.	Part No.	Part Name & Description	Qty.
29	1700K4-253	Reverse gear guide block	1
30	Q50512175	Steel wire rope	3
31	1700K4-251	Reverse gear fork shaft	1
32	Q50512175	Steel wire rope	4
33	1700KT-262-B	1st, 2nd gear fork	1
34	1700KT-254	Gear fork catch bolt	2
35	1700KT-261	1st, 2nd gear fork shaft	1
36	1700K4-263	1st, 2nd gear guide block	1
37	1700K4-271	3rd, 4th gear fork shaft	1
38	1700N-292	Interlock pin	3
39	Q966143	Steel ball	3
40	1700K4-272	3rd, 4th gear fork	1
41	1700K4-282	5th, 6th gear fork	1
42	1700K4-281	5th, 6th gear fork shaft	1
43	1700K4-283	5th, 6th gear guide block	1
44	Q500B3220	Cotter pin	1
45	1700JH21B-258	Safety stop pin spring	1
46	1700D4-256	Safety stop pin	1
47	1700K1-214	Spacer--transmission upper cover	1
48	1700K4-215	Transmission upper cover	1
49	Q40310	Spring washer	14
50	Q150B1060	Hex bolt	14
51	Q72222	Cup spacer	4
52	1700DE03-333-B	Gear select rocker arm	1
53	1700Q08-304	Catch bolt	1



Transmission Controlling Mechanism			Fig•T1705
No.	Part No.	Part Name & Description	Qty.
1	17V65-03080	Transmission controlling knob assy	1
	17V65-03001	Transmission controlling--cab (included NO.2--15)	1
	17V65-03025	Controlling lever and support seat assy (included NO.2--13)	1
2	17V65-03026	Controlling lever assy	1
3	17N-03035	Floating support seat assy	1
	Q150B0830	Hex bolt	2
	Q40108	Plain washer	2
	Q40408	Light spring washer	2
	Q150B0830-5	Hex bolt	2
	RQ42308	Saucer spring washer	2
	Q340B08-6	I type hex nut	2
	17N-03030	Floating support seat with dust shield assy	1
	17N-03032	Floating support seat with bush assy	1
4	17N-03038	Dust shield	2
5	17N-03037	Spherical bushing	1
	17N-03036	Spherical bushing assy	1
6	17N-03039	Sleeve	1
7	17N-03031	Bush	2
8	17N-03233	Washer	2
9	Q43615	Split collar	1
10	17B1-03040	Gear select arm with shaft assy	1
11	17N-03044	Ball cup	1
12	17N-03034	Ball joint bolt assy	1
	Q33512-6	I type all metal hex lock nut	1
13	17V65-03045	I type support assy	1
	Q150B0816	Hex bolt	2
	Q40108	Plain washer	2
	Q40408	Light spring washer	2

## Transmission Controlling Mechanism

Fig•T1705

No.	Part No.	Part Name & Description	Qty.
14	17V65-03110	Pull rod assy	2
	Q33410	All metal lock nut	4
15	17V65-03050	U --support with rocker arm assy	1
	Q150B0816	Bolt	4
	Q40408	Light spring washer	4
16	17V65-03140-A	Pull rod assy	2
	Q33410	All metal lock nut	2
17	17V65-03160	Rocker arm and support seat assy	1
	Q150B0825	Bolt	2
	Q150B0830	Bolt	2
	Q41908	Wave spring washer	4
	Q340B08	I type hex nut	4
18	17V65-03151	Connecting plate	2
	17V65-03152	Connecting plate	2
	Q150B0825	Bolt	4
	Q41908	Wave spring washer	4
	Q340B08	I type hex nut	4
	Q150B1025	Bolt	2
	Q40110	Plain washer	2
	Q40310	Spring washer	2
	Q350B10	Hex thin nut	2
	19	17V65-03295	Front bracket assy--flexible shaft
Q150B1025		Bolt	2
Q40110		Plain washer	2
Q40310		Spring washer	2
Q350B10		Hex thin nut	2
20	17V65-03060	Gear shif flexible shaft with ball joint assy	1
21	17V65-03070	Gear select flexible shaft with ball joint assy	1

Transmission Controlling Mechanism			Fig•T1705
No.	Part No.	Part Name & Description	Qty.
	Q33410	All metal lock nut	3
	Q33510	All metal lock nut	1
	Q150B1020	Bolt	4
	Q40110	Plain washer	4
	Q40310	Spring washer	4
22	17V65-03117	Flexible shaft clamp bracket	1
	17B1-03116	Flexible shaft clamp	2
	17B1-03118	Flexible shaft clamp fixing plate	2
	Q150B0820	Bolt	2
	Q40108	Plain washer	2
	Q40308	Spring washer	2
	Q340B08	I type hex nut	2
23	17V66A-03292	Flexible shaft bracket	1
24	17N-03272	Dust shield	1
25	17V66A-03271	Spherical seat support plate	1
	17V66A-03270	Spherical seat assy (included NO. 25--27)	1
	Q150B0620-5	Bolt	2
	RQ42306	Saucer spring washer	2
	Q340B06-6	I type hex nut	2
	Q151B1025	Bolt	1
	RQ42410	Saucer spring washer	1
	Q341B10	I type hex nut	1
	Q151B1235	Bolt	2
	Q40312	Spring washer	2
	Q341B12	I type hex nut	2
26	17N-03276	Spherical seat	2
27	17N-03277	Spherical bushing	1
28	17N-03273	Dust shield	1



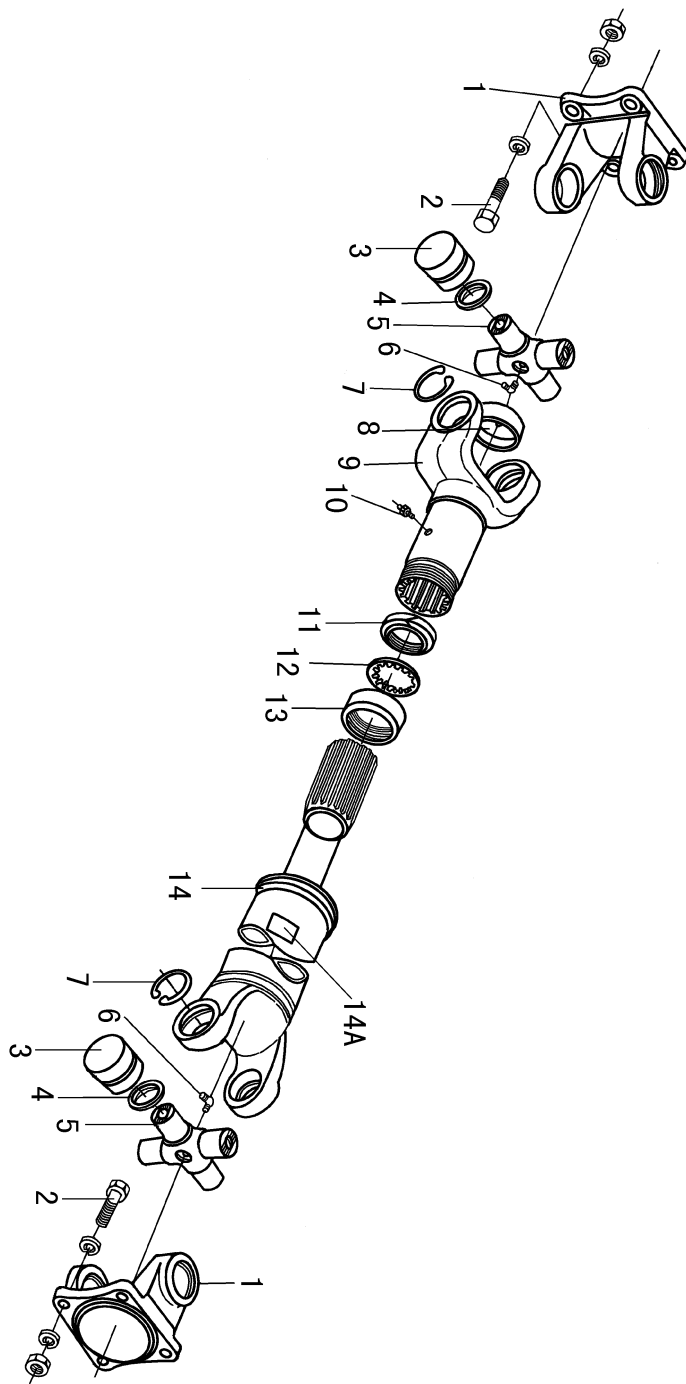


# 5. Propeller Shaft

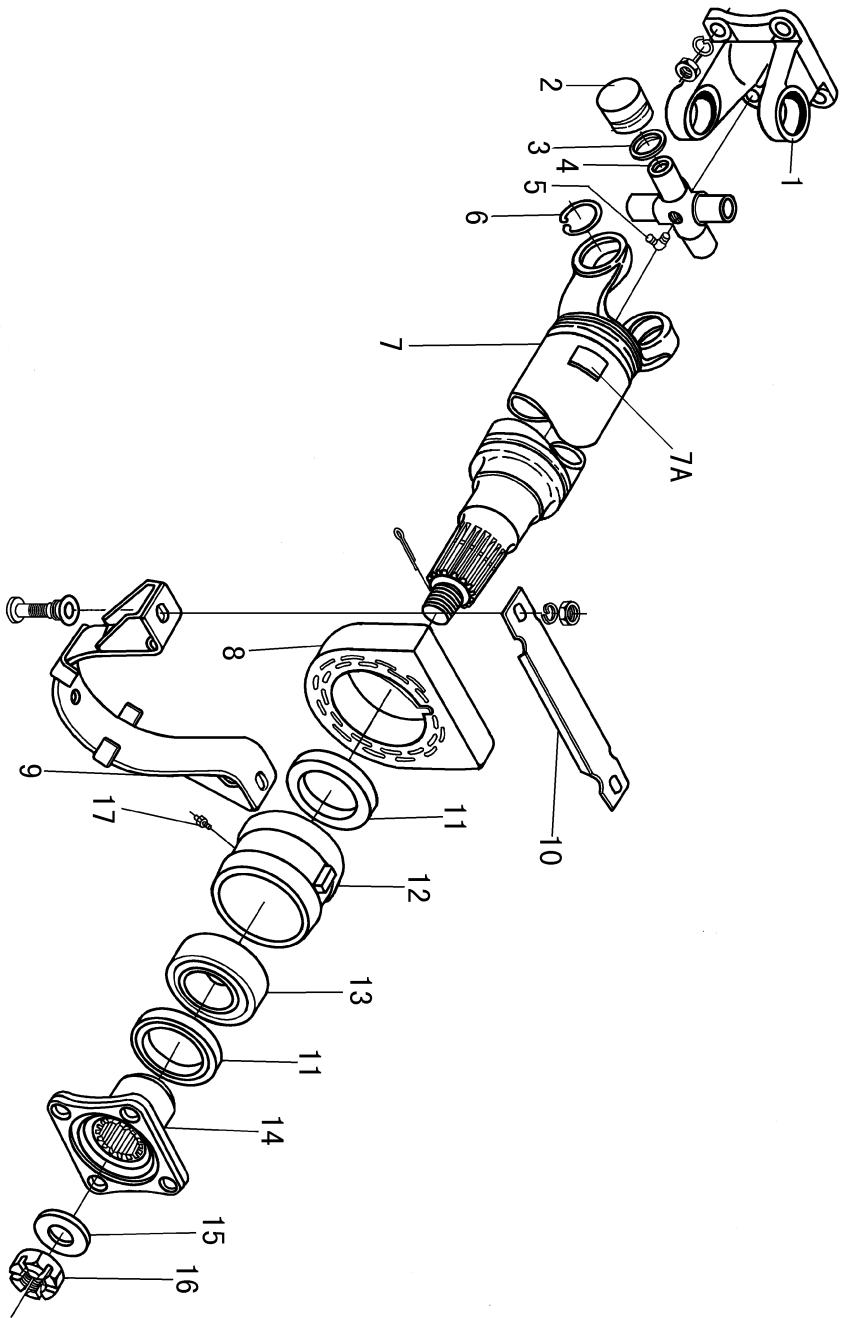
---

Fig.P2201	Propeller Shaft.....	5-1
Fig.P2202	Intermediate Propeller Shaft and Center Bearing.....	5-3





Propeller Shaft			Fig • P2201
No.	Part No.	Part Name & Description	Qty.
	2201V65A-010	Propeller shaft and slip yolk assy (included NO.1--14)	1
	2201V65-045	Propeller shaft with cross shaft and flange fork assy	1
	2202D5-025	Flange fork with cross shaft and needle bearing assy	1
	2201BA1-025	Slip fork with flange fork assy	1
1	2201D-023-B	Flange fork	2
2	22D-01222	Bolt	8
	Q341B14	I type hex nut	8
	Q40314	Spring washer	16
3	8047/25K	Cross shaft needle bearing assy	8
4	2201D5-032	Dust collar	8
	2201D5-030	Cross shaft assy (included NO.3--6)	2
5	2201D5-031	Cross shaft	2
6	Q701B90	Grease elbow	2
7	2201C-026	Snap ring for holes	8
8	2201D-052	Slip yolk plug	1
9	2201D-050	Slip yolk assy	1
10	Q700B01	Grease fitting	1
11	2201D-061-B	Slip yolk oil seal	1
12	2201D-062	Oil seal spacer--slip yolk	1
13	2202C-011	Oil seal cover--slip yolk	1
14	2201V65A-015	Propeller shaft assy	1
14A	2201D-(071 ~ 079) - A	Balance patch	Need



## Intermediate Propeller Shaft and Center Bearing

Fig • P2202

No.	Part No.	Part Name & Description	Qty.
	2202V65A-010	Intermediate propeller shaft and bearing assy	1
	2202V65A-045	Intermediate propeller shaft and universal joint assy	1
	2202D5-025	Flange fork with cross shaft and needle bearing assy	1
1	2201D-023-B	Flange fork	1
	Q341B14	I type hex nut	4
	Q40314	Spring washer	4
2	8047/25K	Cross shaft needle bearing assy	4
3	2201D5-032	Dust collar	4
4	2201D5-031	Cross shaft	1
	2201D5-030	Cross shaft assy	1
5	Q701B90	Grease elbow	1
6	2201C-026	Snap ring for holes	4
7	2202V65A-015	Intermediate propeller shaft assy	1
7A	2201D-071-A	Balance patch	Need
	2201D-072-A	Balance patch	Need
	2201D-073-A	Balance patch	Need
	2201D-074-A	Balance patch	Need
	2201D-076-A	Balance patch	Need
	2201D-077-A	Balance patch	Need
	2201D-078-A	Balance patch	Need
	2201D-079-A	Balance patch	Need
8	2202D-084-A	Washer--center bearing bearing seat	1
	2202D-080	Center bearing assy	1
9	22D-02220-A2	Center bearing bracket assy	1
	Q151B1438	Hex bolt	2
	Q341B14	I type hex nut	2
	Q40114	Plain washer	2
	Q40314	Spring washer	2



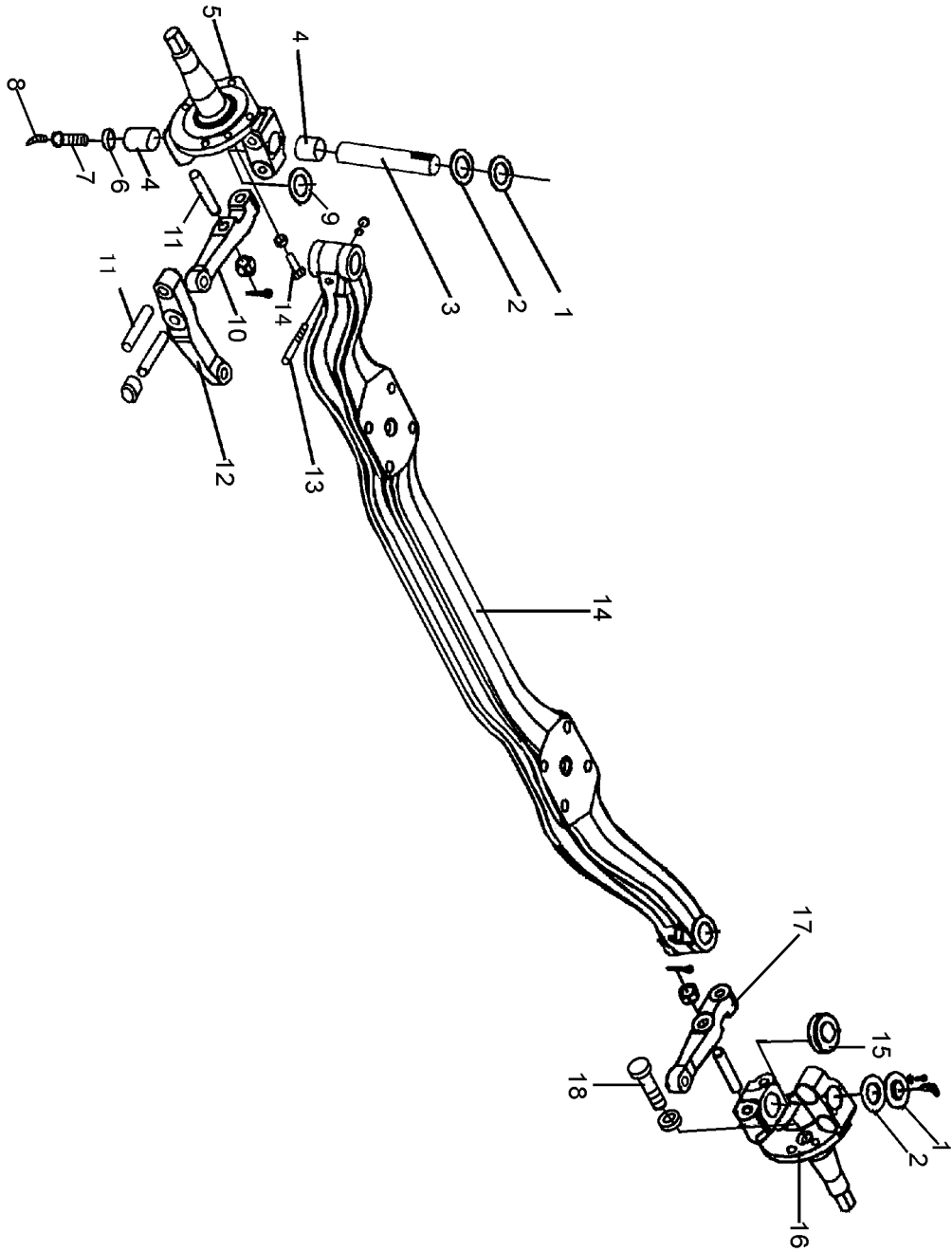


# 6. Front Axle

---

Fig.F3001	Front Axle, Steering Knuckle .....	6-1
Fig.F3002	Front Wheel Hub and Brake Drum .....	6-3

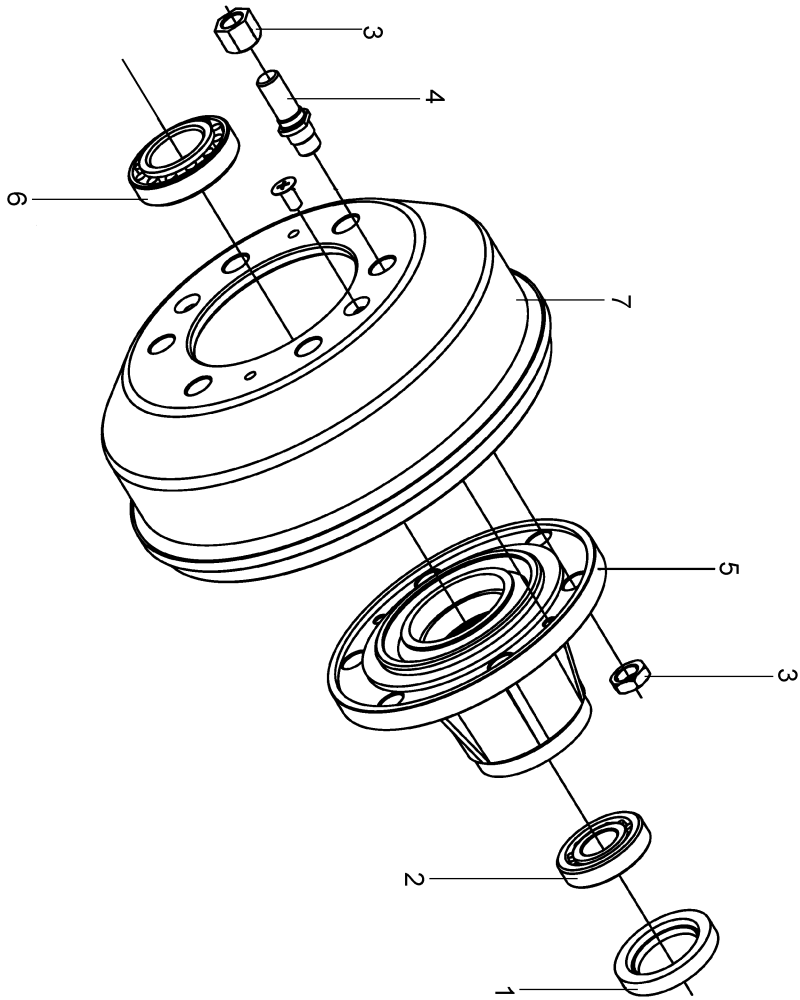




Front Axle, Steering Knuckle

Fig • F3001

No.	Part No.	Part Name & Description	Qty.
1	30B14-01027	Upper cover--steering knuckle	2
	Q150B0616	Hex bolt	6
	Q40306	Spring washer	6
2	30B14-01028	Spacer--steering knuckleUpper cover	2
3	30B14-01021	Steering knuckle pin	2
4	30Q68-01019	Upper bushing	4
5	30V27-01017	Left steering knuckle	1
6	30B14-01037	Knuckle pin plug assy	2
7	30D5-01039	Bolt--knuckle pin plug	2
8	Q701B70	Grease elbow	2
9	30D5-01022~1029	Adjusting spacer--steering knuckle	Need
10	30Q92-01041	Left Steering knuckle arm	1
11	30D5-01048	Double head bolt--upper steering arm	6
	30N-01045	Slotted nut--steering knuckle arm	6
	Q500B0440	Cotter pin	6
12	30Q92-01044	Upper steering arm--left steering knuckle	1
13	30D-01031	Wedge cotter pin--steering knuckle pin	2
14	30V65-01011	Front axle	1
15	30V65-01035	Thrust bearing	2
16	30V27-01018	Right steering knuckle	1
17	30Q92-01042	Right steering knuckle arm	1
18	30D5-01032	Steering limiting bolt	2





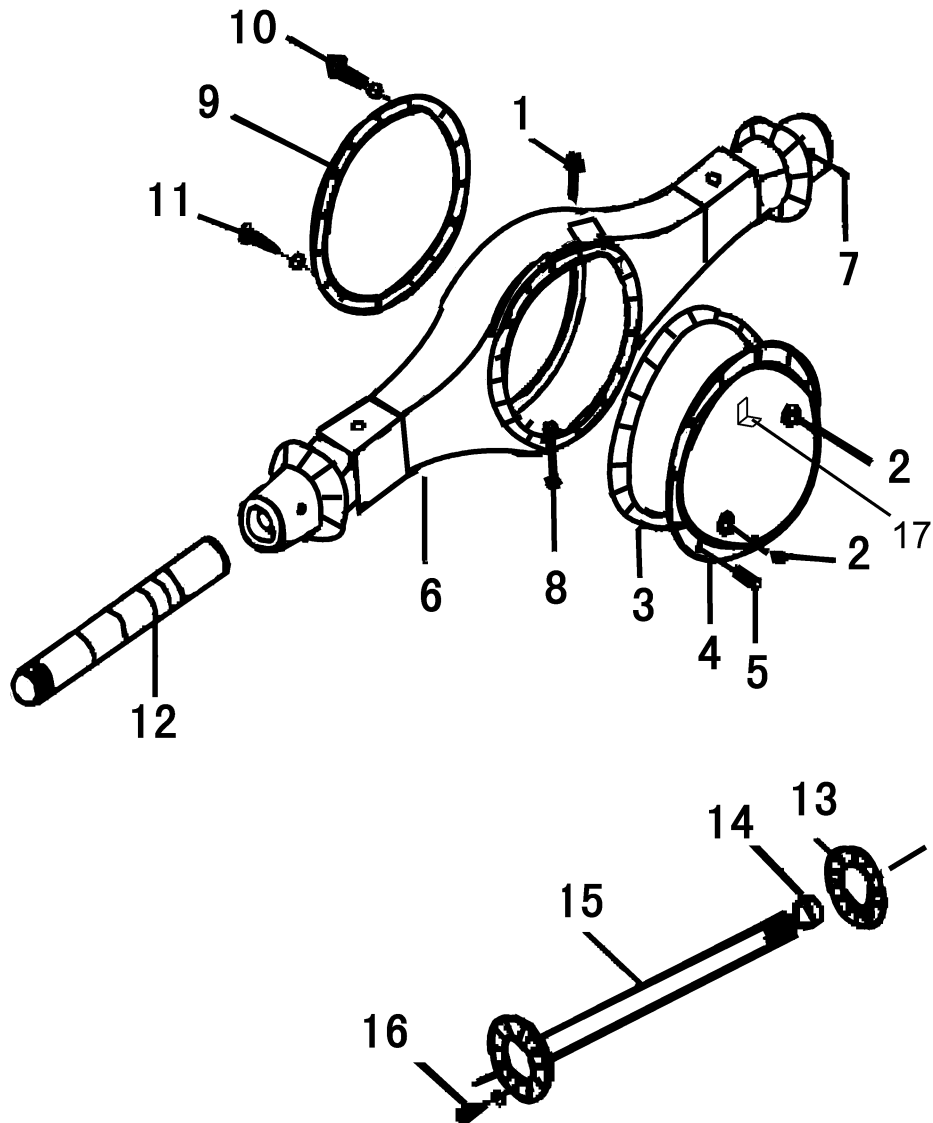
# 7.Rear Axle

---

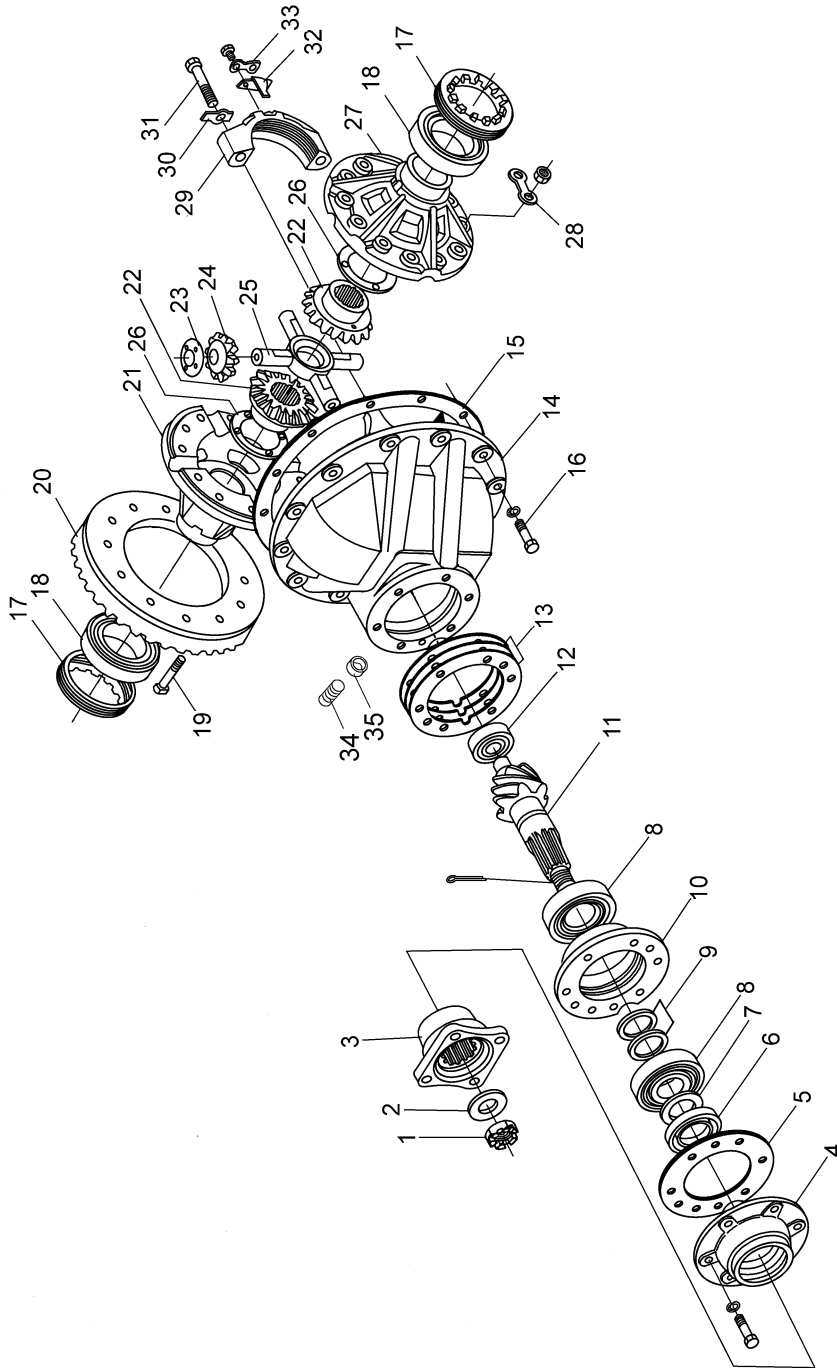
Fig.R2401	Rear Axle Housing and Half-axle .....	7-1
Fig.R2402	Final Drive and Differential .....	7-3
Fig.R2403	Rear Wheel Hub and Brake Drum.....	7-6







Rear Axle Housing and Half-axle			Fig•R2401
No.	Part No.	Part Name & Description	Qty.
1	24N-01068	Vent plug	1
2	Q614B03-J8	Screw plug--oil level hole	2
3	24D-01062-B	Gasket--axle housing rear cover	1
4	24V65A-01020	Rear axle housing cover assy	1
5	Q150B1430-J0	Bolt--fix the rear axle housing cover	12
6	2401V65A-025	Rear axle housing	1
7	2401B-027	Set pin	2
8	Q614B10-J8	Square slotted conical screw plug with glue	1
9	24D-01061-B	Gasket	1
10	Q150B1440-0H1-J1	Bolt--fix the differential	2
11	Q40514	Heavy spring washer	2
12	Q1-2401S68-026	Half-axle bushing	2
13	Q1-24S68-03064	Rear axle half-axle gasket	2
14	24V65-01090	Half-axle oil seal assy	2
15	Q1-24S68-03065	Rear axle half-axle	2
16	24D-03063	Rear axle half-axle bolt	20
	24C-03069	Conic bush	20
	Q40512	Heavy spring washer	20
	Q341B12	I type hex nut	20
17	35V66-42012	Bracket--sensitive valve	1

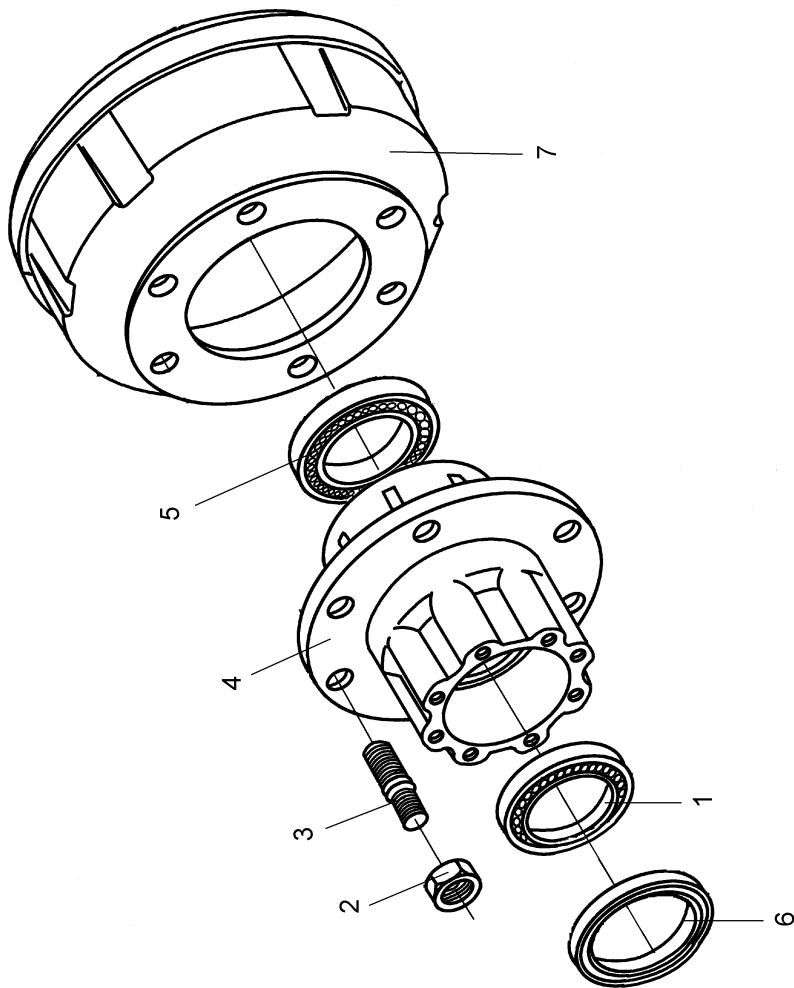


Final Drive and Differential			Fig•R2402
No.	Part No.	Part Name & Description	Qty.
1	2402D-072	Slotted flat nut--driving conic gear	1
2	2402C-071	Washer--driving conic gear nut	2
3	2402D-065-B	Flange assy--driving conic gear	1
4	2402D-056-A	Oil seal seat	1
5	2402D-053	Gasket--driving conic gear oil seal seat	1
6	2402D-001	Oil seal assy	1
7	2402D-052	Thrust washer	1
8	27311E	Front bearing assy	2
9	2402D-041		
	~2402D-048	Adjusting spacer	Need
10	2402D-036	Bearing seat	1
11	Q1-2402D939-025	Driving conic gear	1
12	C4G532307EK	Rear bearing assy	1
13	2402D-081		
	~2402D-084	Driving conic gear adjusting spacer	Need
14	2402D-115-B	Final drive housing	1
15	24D-01061-B	Gasket	1
16	Q150B1435-0H1-J1	Bolt	10
	Q40514	Heavy spring washer	10
17	2402D-381	Adjusting nut	2
18	7516E	Differential bearing	2
19	2402D-356-B	Bolt	12
20	Q1-2402D939-026	Rear axle driven bevel gear	1
21	2402D-318	Differential right housing	1
22	2402D5-335-B	Half-axle gear	2
23	2402D-346-B	Supporting washer--planetary gear	4
24	2402D5-345-B	Planetary gear	4
25	2402C-331	Cross shaft--bevel gear differential	1

Final Drive and Differential

Fig•R2402

No.	Part No.	Part Name & Description	Qty.
26	2402D5-345-B	Supporting washer--half-axle gear	2
27	Q1-2402S85ABSC-317	Differential left housing	1
28	2402D-357	Lock shim--differential housing and driven bevel gear	6
29	2402D-117	differential bearing cover	2
30	2402D-121-A	Lock shim--differential bearing cover Bolt	4
31	2402D-119-B	Bolt--differential bearing cover	4
32	2402D-383	Stop spacer--differential bearing adjusting nut	2
33	2402C-384	Lock shim--adjusting nut stop spacer bolt	4
	Q150B0814	Hex bolt	4
34	Q1-2402D85ABSC-127	Anchor stud-driven bevel gear	1
35	2402D-126-A	Supporting bush--driven bevel gear	1





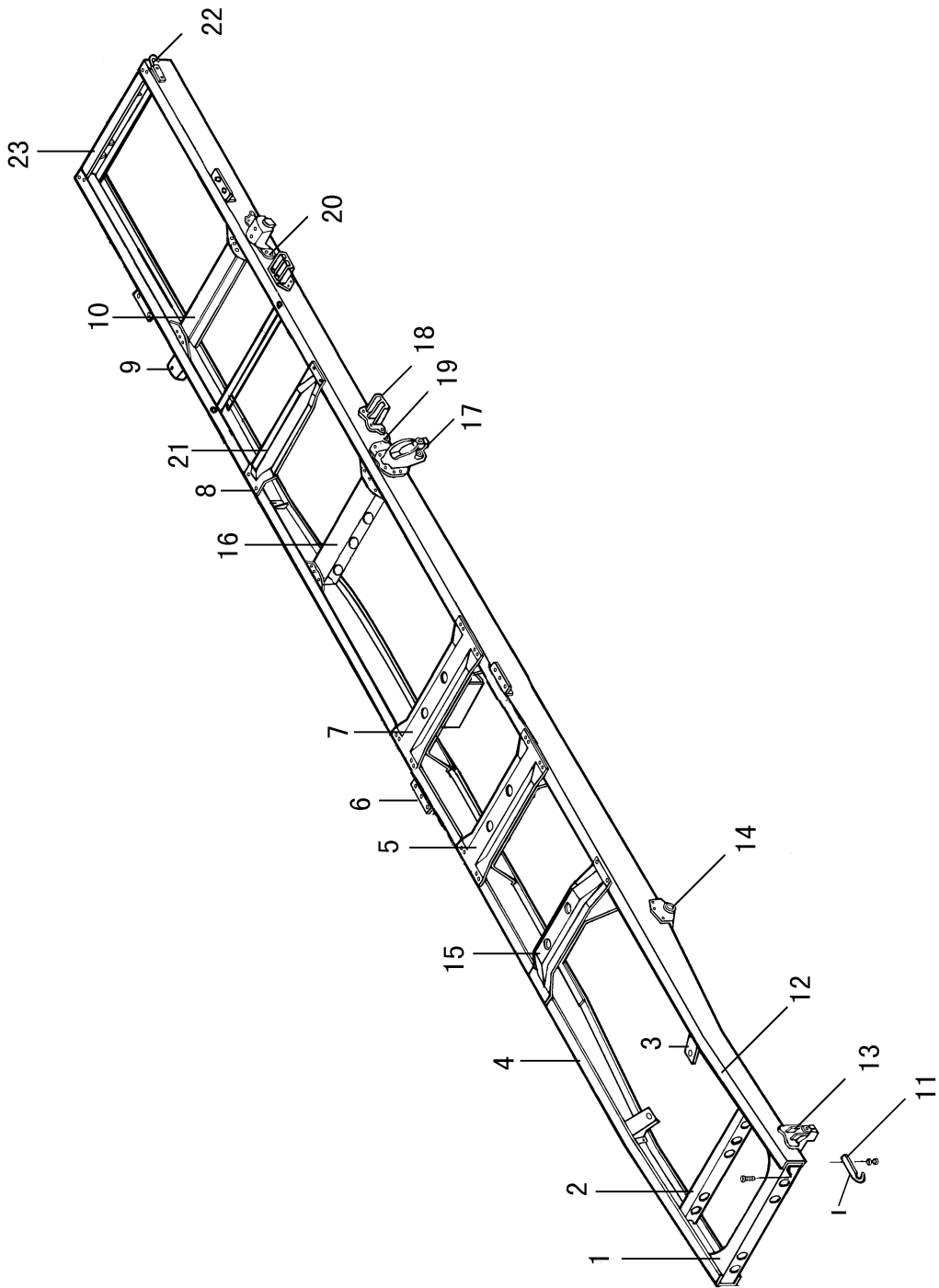
# 8. Frame, Suspension System

---

Fig.S2801	Chassis Frame .....	8-1
Fig.S2901	Front Shock Absorber.....	8-5
Fig.S2902	Rear Shock Absorber .....	8-7
Fig.S2903	Front Suspension .....	8-9
Fig.S2904	Rear Suspension.....	8-12



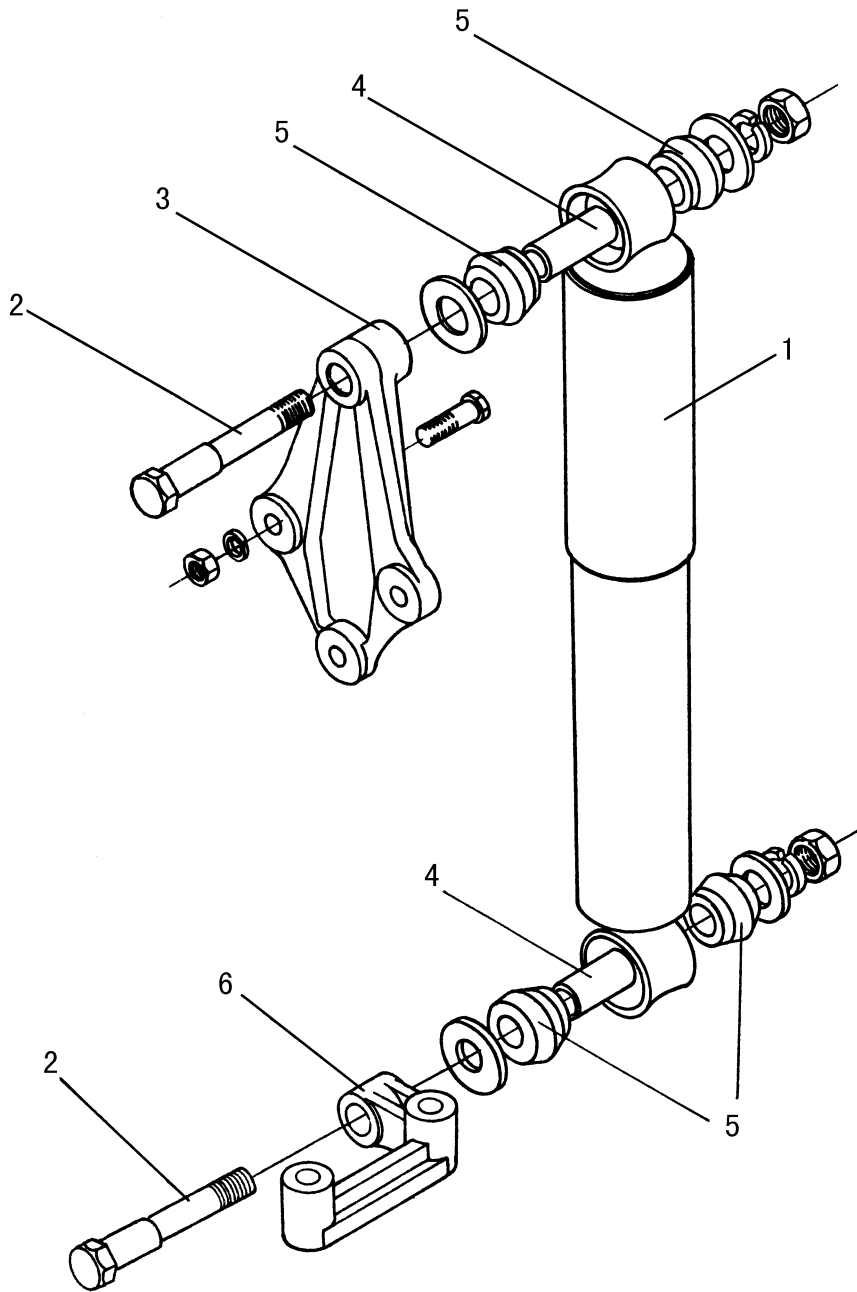




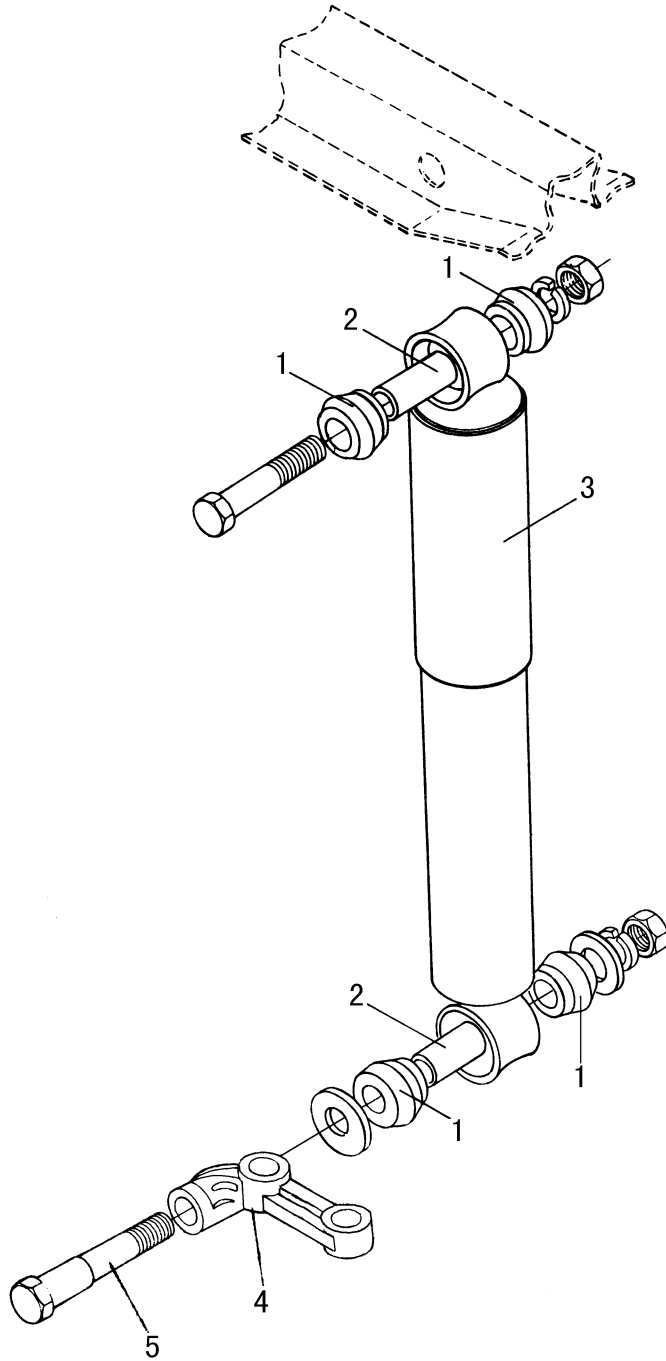
Chassis Frame			Fig • S2801
No.	Part No.	Part Name & Description	Qty.
	28G1A9-DE03	Chassis frame & bracket ass'y	1
1	28V66-01110	Front crossmember ass'y	1
	Q150B1032	Bolt	6
	Q340B10	Nut	12
	Q40310	Washer, spring	12
2	28V66-01122	Crossmember No. 2	1
	28V66-01121	Plate, connecting	2
	Q4501028	Rivet	12
	Q4501034	Rivet	4
3	10V65A-01054	Right bracket, rear suspension	2
	10V65A-01056	Left bracket, rear suspension	2
4	28V65-01021	Side rail, L	1
5	28V66-01145	Crossmember No. 4	1
	Q150B1030	Bolt	16
	Q340B10	Nut	16
	Q40310	Washer, spring	16
6	85C-00046	Angle, lower	4
	Q4501230	Rivet	8
7	2801N8-06	Crossmember, propeller support	1
	Q150B1030	Bolt	16
	Q340B10	Nut	16
	Q40310	Washer, spring	16
8	28V66-01162	Crossmember, shock absorber	1
	28V66-01163	Bracket	1
	Q4501028	Rivet	10
9	29V66-02259	Bracket	2
	Q4501242	Rivet	12
10	28V66-01172	Crossmember, rear spring	1

Chassis Frame			Fig • S2801
No.	Part No.	Part Name & Description	Qty.
	28V66-01173	Plate, connecting	4
	Q4501028	Rivet	20
	Q4501032	Rivet	8
11	28V66-05013	Bracket, hook	2
	Q150B1025	Bolt	6
	Q40310	Washer, spring	6
	Q340B10	Nut	6
	Q150B1645	Bolt	8
	Q40316	Washer, spring	8
	Q340B16	Nut	8
12	51QA-01112	Side rail, R	1
13	29V66-02249	Bracket	2
	Q4501238	Rivet	10
14	29V66-02259	Bracket	2
	Q4501238	Rivet	10
15	28V66-01130	Engine rear supp. crossmember	1
	Q150B1028	Bolt	8
	Q340B10	Nut	8
	Q40310	Washer, spring	8
16	28V66-01172	Crossmember, rear spring	1
	28V66-01173	Plate, connecting	4
	Q4501028	Rivet	20
	Q4501032	Rivet	8
17	29V66-02249	Bracket	2
	Q4501242	Rivet	12
18	29DE03-02278	Bracket	4
	Q150B1645	Bolt	8
	Q4501242	Rivet	16



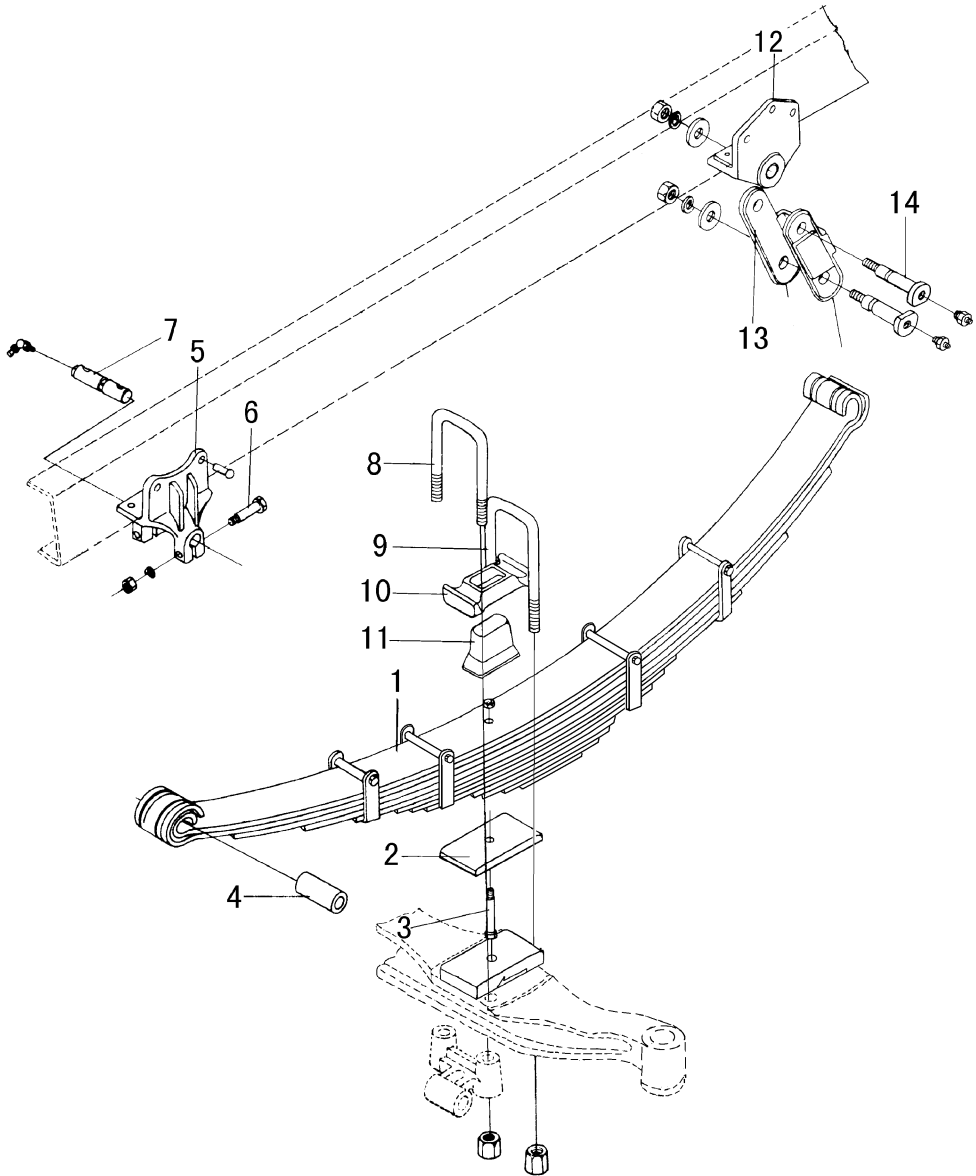






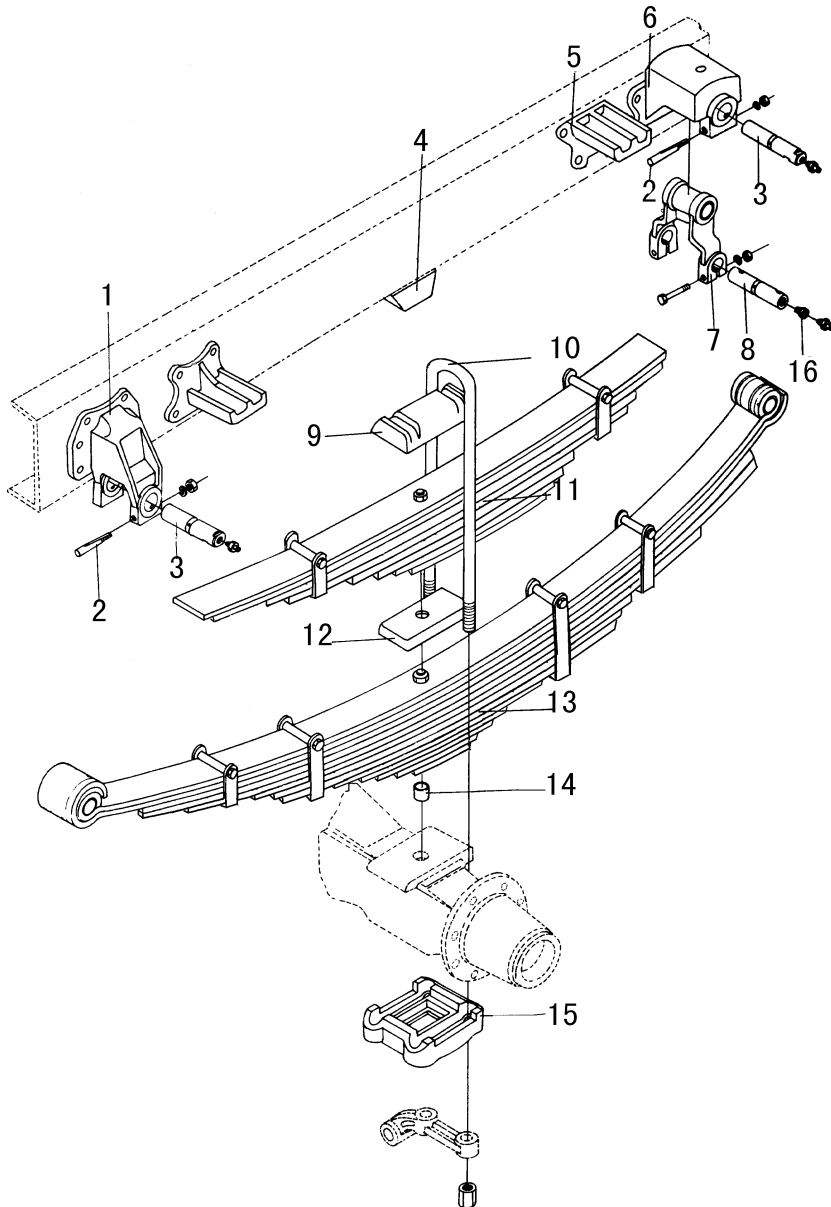






Front Suspension			Fig • S2903
No.	Part No.	Part Name & Description	Qty.
1	2912DE03-010	Leaf spring ass'y, front	2
	2912DE03-020	Leaf No. 1 with bushing ass'y	2
	2912DE03-021	Leaf No. 1	2
	2912DE03-023	Leaf No. 2	2
	2912DE03-025	Leaf No. 3	2
	2912DE03-027	Leaf No. 4	2
	2913DE03-030	Leaf No. 5 with clip ass'y	4
	2912DE03-042	Clip	4
	2912DE03-030	Leaf No. 5	2
	2912DE03-031	Leaf No. 6	2
	2912DE03-035	Leaf No. 7	2
	2912DE03-040	Leaf No. 8 with clip ass'y	2
	2912DE03-042	Clip	8
	Q4501216	Rivet	4
	2913DE03-041	Leaf No. 8	2
	2913DE03-043	Leaf No. 9	2
	2912DE03-045	Leaf No. 10	2
	2912DE03-047	Leaf No. 11	2
	2912C-107	Tube	4
	Q150B1095	Bolt	4
	Q340B10	Nut	4
	Q4501218	Rivet	4
2	29V66A-02110	Pad ass'y	2
3	2913C-106	Bolt	2
	Q341B12	Nut	2
4	2913Q-022	Bushing	4
5	2901C7-05	Bracket	2
	Q4501238	Rivet	10

Front Suspension			Fig • S2903
No.	Part No.	Part Name & Description	Qty.
6	29C-01254	Bolt	4
	Q40310	Washer, spring	4
	Q340B10	Nut	4
7	29C-01252	Pin	2
	Q701B90	Grease lip	2
8	29D-01132	U-Bolt	2
9	29D-01132	U-Bolt	2
	Q363B18	Nut	8
10	29V66-01105	Plate	2
11	29C-01106	Block, limited	2
12	2901L7-08	Bracket	2
	29Q01-02287	Bushing	2
	Q4501034	Rivet	10
13	A3903757	Eye bracket, F	1
14	2901N1-02	Eye bracket set	4
	Q40116	Washer	4
	Q40316	Washer, spring	4
	Q341B16	Nut	4
	Q700B01	Grease lip	4



Rear Suspension			Fig • S2904
No.	Part No.	Part Name & Description	Qty.
1	29V66-01249	Bracket	2
	Q4501242	Rivet	12
2	29Q01-02257-A	Pin	4
	Q40312	Washer, spring	4
	Q340B12	Nut	4
3	29Q01-02252	Pin	4
	Q700B01	Grease lip	6
4	29V66-04205	Block, limited	2
	Q40112	Washer	4
	Q40312	Washer, spring	4
	Q340B12	Nut	4
5	29DE03-02278	Bracket	2
	Q4501238	Rivet	8
6	29V66-02259	Bracket	2
	Q4501242	Rivet	8
7	29Q01-02285-A	Eye bracket with bushing ass'y	2
	29Q01-02287	Bushing	2
	Q150B1060	Bolt	4
	Q40310	Washer, spring	4
	Q340B10	Nut	4
8	29Q01-02253	Pin	2
9	29Q01-02105	Plate	2
10	29V102-02131	U-Bolt	4
	Q363B20	Nut	8
11	2914DE03-010	Leaf spring ass'y, aux	2
	2914DE03-021	Leaf No. 1	2
	2914DE03-023	Leaf No. 2	2
	2914DE03-025	Leaf No. 3	2

Rear Suspension			Fig • S2904
No.	Part No.	Part Name & Description	Qty.
	2914DE03-030	Leaf No. 4 with clip ass'y	2
	2914DE03-032	Clip	4
	2914DE03-031	Leaf No. 4	2
	2914DE03-033	Leaf No. 5	2
	2914DE03-035	Leaf No. 6	2
	2914DE03-037	Leaf No. 7	2
	2914DE03-039	Leaf No. 8	2
	2914DE03-106	Bolt	2
	Q341B12	Nut	2
	2912C-107	Tube	4
	Q150B1095	Bolt	4
	Q340B10	Nut	4
	2914Q-109	Rivet	4
12	29Q01-02109-B	Plate	2
13	2913DE03-01	Leaf spring ass'y, rear	2
	2913DE03-020	Leaf No. 1 with bushing ass'y	2
	2913DE03-021	Leaf No. 1	2
	2913Q-022	Bushing	4
	2913DE03-023	Leaf No. 2	2
	2913DE03-025	Leaf No. 3	2
	2913DE03-027	Leaf No. 4	2
	2913DE03-030	Leaf No. 5 with clip ass'y	2
	2912DE03-042	Clip	8
	2913DE03-031	Leaf No. 5	2
	2913DE03-033	Leaf No. 6	2
	2913DE03-035	Leaf No. 7	2
	2913DE03-040	Leaf No. 8 with clip ass'y	2
	2913DE03-041	Leaf No. 8	2



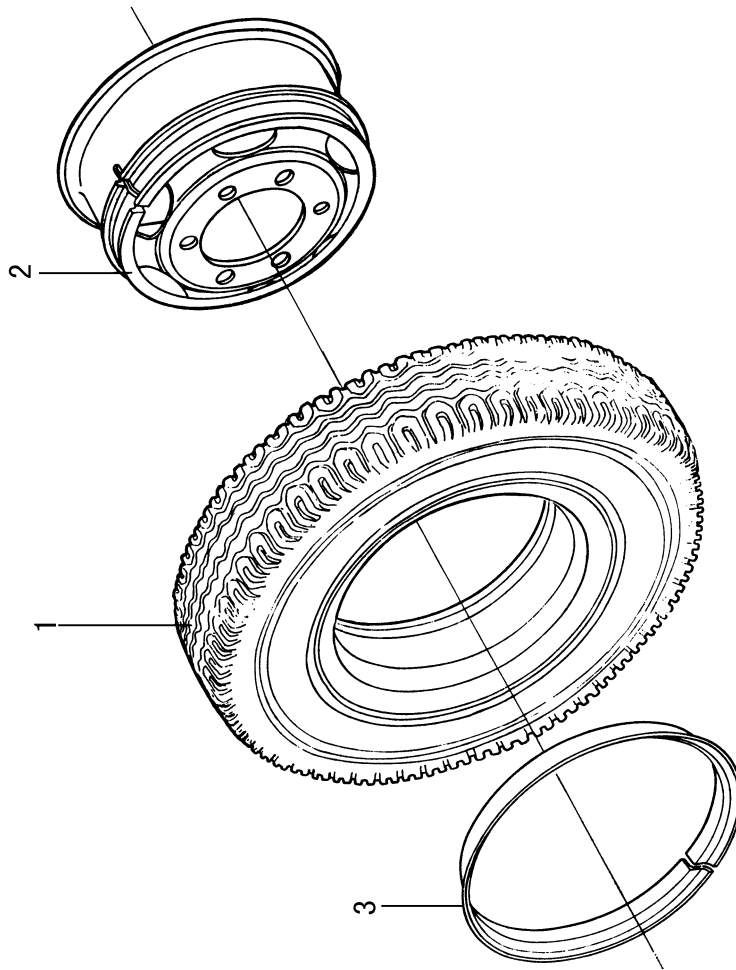


# 9. Wheel, Spare Wheel Carrier

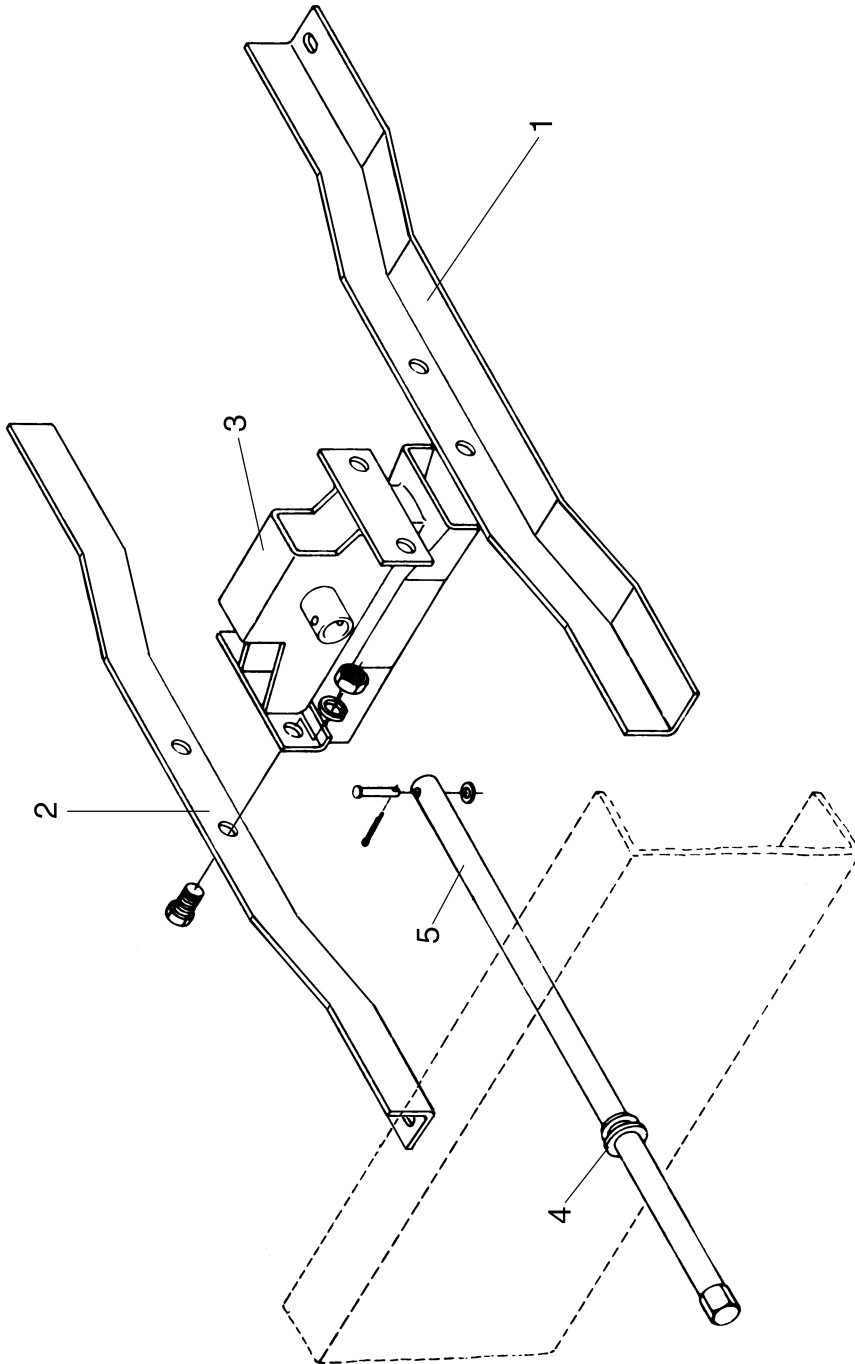
---

Fig.W3101	Wheel .....	9-1
Fig.W3102	Spare Wheel Carrier.....	9-3











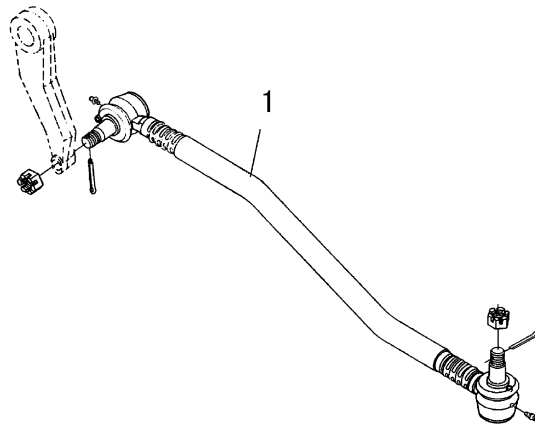
# 10. Steering System

---

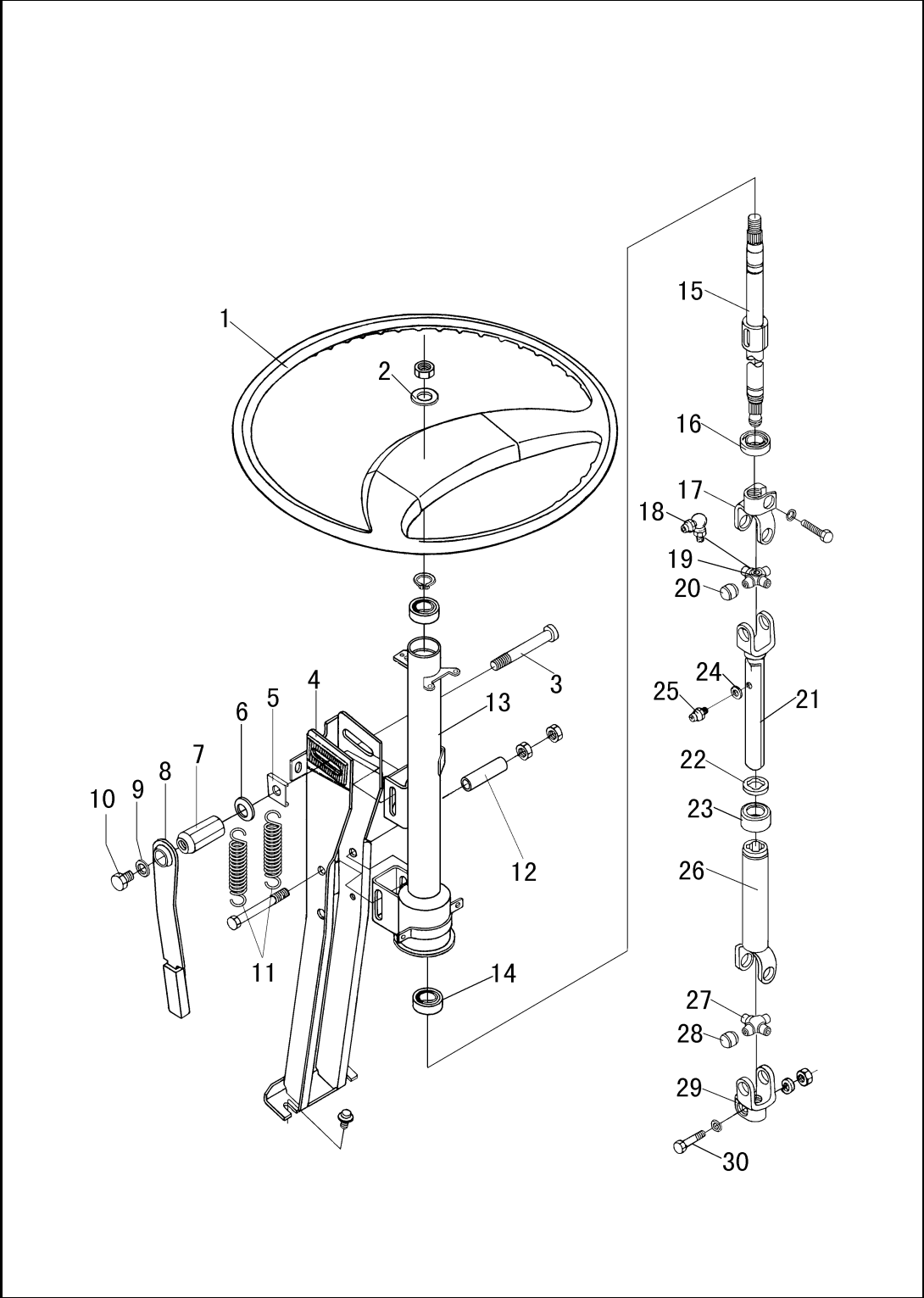
Fig.ST3301	Tie Rod.....	10-1
Fig.ST3401	Steering Gear Ass'y.....	10-3
Fig.ST3402	Power Steering Tubing.....	10-6





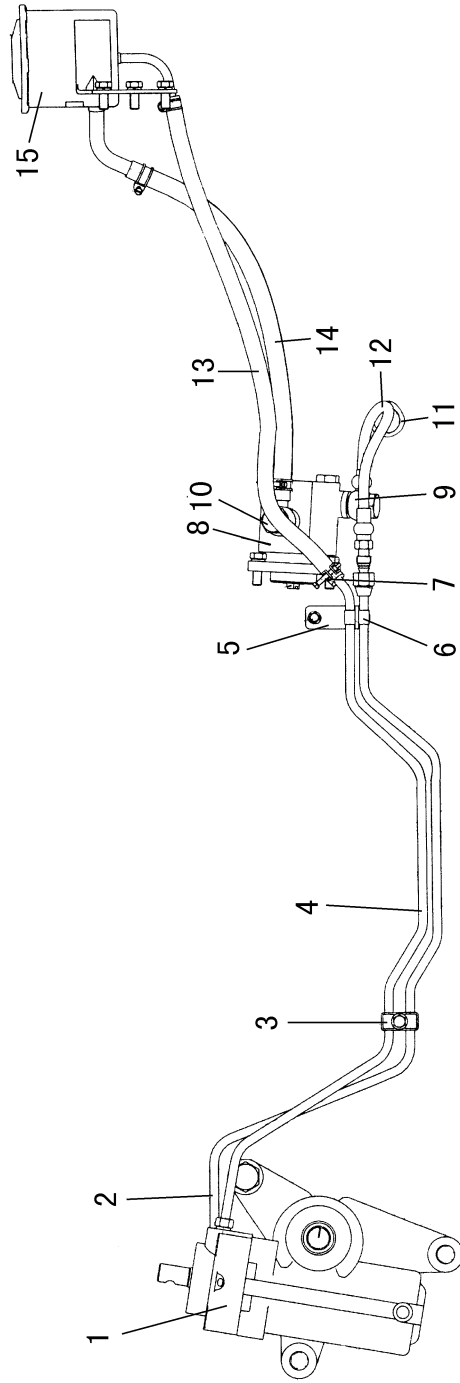






Steering gear ass'y			Fig • ST3401
No.	Part No.	Part Name & Description	Qty.
	3404V65A-001	Steering gear with adjuster ass'y (Inc No.2 ~ 30)	1
1	3402V50-001	Steering wheel ass'y	1
2	3404C-014	Washer — steering wheel	2
3	3404QA-057-B	Adjuster bolt	1
4	3404V65-080	Steering column bracket welding ass'y	1
	Q151B1065	Hex bolt	1
	Q341B10	Hex nut,I type	1
	Q40410	Light spring Washer	1
5	3404QA-055	Plate,sliding	1
6	RQ42412	Taper washer, spring	1
7	3404QA-053-B	Compaction nut	1
8	3404V65-050	Spanner ass'y,Adjuster	1
9	3404MB-059	Washer — tighten immobility spanner	1
10	3404M-052	Bolt — tighten immobility spanner	1
11	3404QA-058	Restoration spring	2
12	3404QF16-066	Limiting bush	1
	3404V65A-070	Steering shaft with Steering column assembly (Inc No.13 ~ 30)	1
13	3404V50-015	Steering column welding ass'y	1
14	3404V50-032	bush — Steering column	1
	3404V65A-090	Steering column with bearing ass'y and slide fork assembly (Inc No.15 ~ 30)	1
15	3404V50-011	Steering column	1
16	3404V50-025	Bearing	1
	3404V65A-040	Slide fork with universal joint ass'y (Inc No.17 ~ 25)	
17	3405MB-022	Fork,universal joint	1
	3405MB-030	Spider with bearing ass'y (Inc No.18 ~ 20)	1
18	Q701B90	Fitting, grease	1
19	3405MB-021	Spider	1
20	3405MB-025	Needle bearing assembly	4





Power Steering Tubing			Fig • ST3402
No.	Part No.	Part Name & Description	Qty.
1	3401V66-001	Power steering gear assembly	1
2	34V66-06040	Elbow assembly, inlet oil	1
3	35D-06801	Upper bracket	2
	Q40308	Washer, spring	2
	Q40108	Washer	2
	Q340B08	Hex nut, I type	2
	Q150B0860	Bolt	2
4	34V66-06045	Elbow assembly, outlet oil,	1
5	34V66-05022	Bracket	1
6	Q68610	Clip	2
	Q40308	Washer, spring	1
	Q40108	Washer	1
	Q340B08	Hex nut, I type	1
	Q150B0825	Bolt	1
7	Q67218	Clip	2
8	3406V65-001	Oil pump	1
9	34V45A-05016	Bolt — joint of the oil pump	1
	34V45A-05017	Seal washer	2
10	34V66-05014	joint-inlet oil tubing	1
	34V66-05017	Seal washer	2
	34V66-06014	Joint-return oil tubing	1
11	34V66-05081	Jacket	1
12	34V68-05030	High pressure hose assembly	1
13	34V67-06015	Hose	1
14	34V67-06065-B	Hose-steering gear to oil reservoir	1
15	3410V67-001	Oil reservoir assembly, steering	1

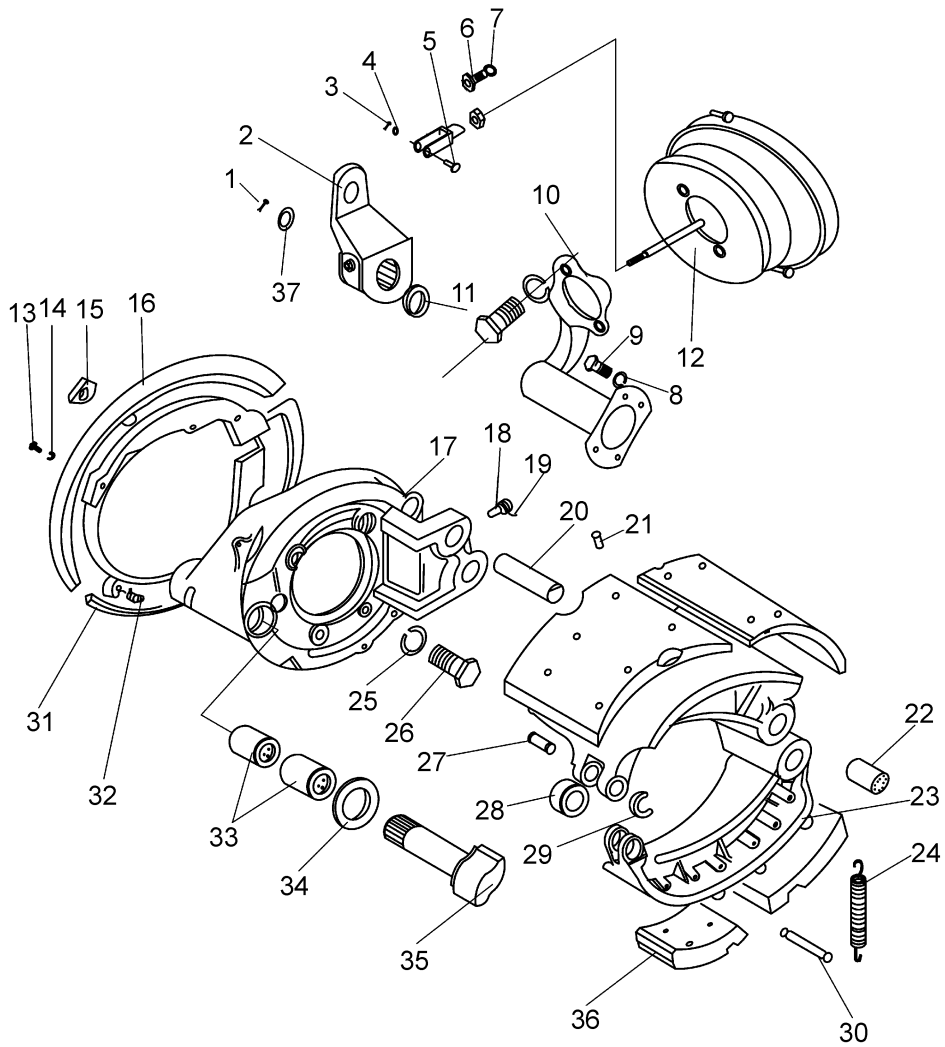
# 11.Brake System

---

Fig.B3501	Front brake Assembly.....	11-1
Fig.B3502	Rear Brake Assembly.....	11-4
Fig.B3503	Brake Line, Inside Cab.....	11-7
Fig.B3504	Brake Line .....	11-9
Fig.B3505	Air Tank Installation.....	11-13
Fig.B3506	Brake Valve Control System.....	11-15
Fig.B3507	Hand Control Valve Control System .....	11-18

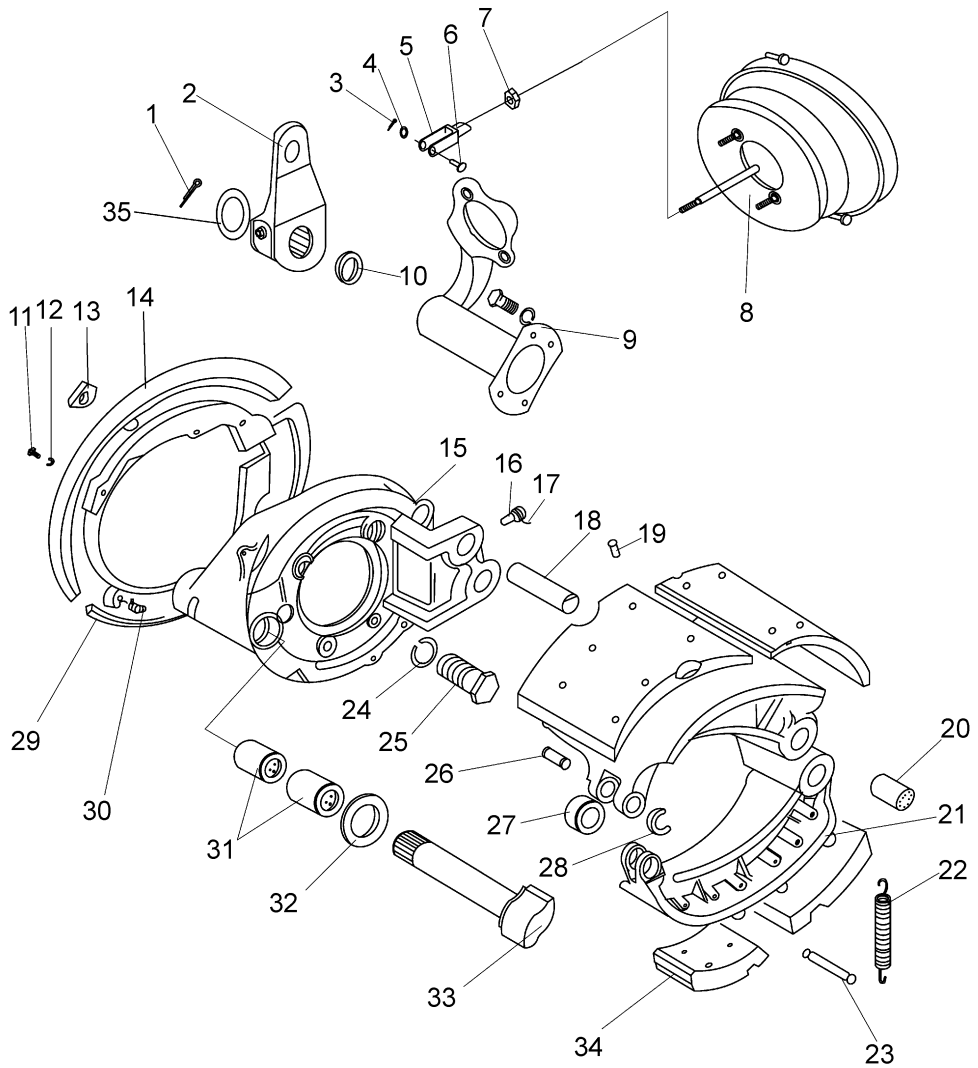






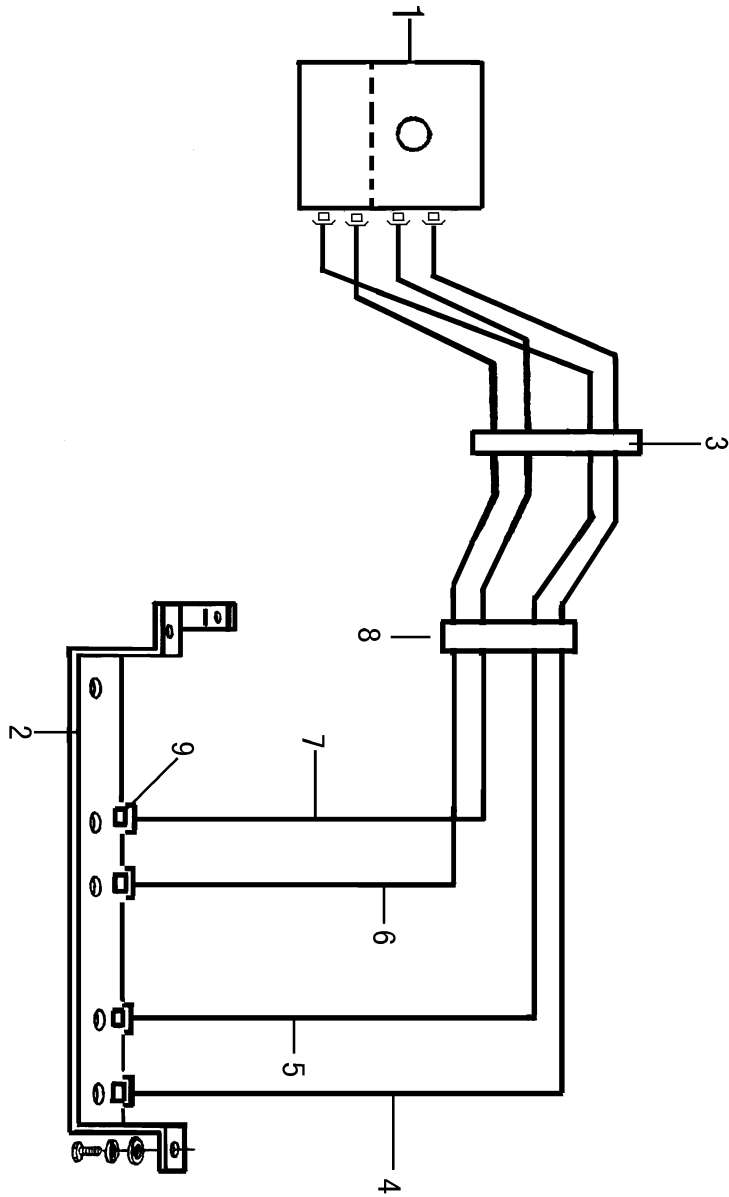
Front brake Assembly			Fig • B3501
No.	Part No.	Part Name & Description	Qty.
	3501DE03-010	Front brake assembly L. H.	1
	3501DE03-015	Front brake assembly R. H.	1
1	Q500B6336	Pin, cotter	2
2	3501D-050-A	Front brake adjust arm assembly	2
3	Q500B4036	Pin, cotter	2
4	Q40112	Washer	2
5	Q510B1238	Pin shaft-chamber push rod	2
6	Q50B1240	Hex bolt	4
7	Q40312	Washer, spring	4
8	Q40314	Washer, spring	8
9	Q1231435	Bolt	8
10	Q1-3501S23SY-031	Front brake bracket assembly L. H.	1
	Q1-3501S23SY-032	Front brake bracket assembly R. H.	1
11	3501C-044	Shim, adjusting	4
12	3519G-020	Front brake chamber assembly L. H.	1
	3519G1-020	Front brake chamber assembly R. H.	1
13	Q150B0812	Hex bolt-to fix dust shield	8
14	Q40308	Washer, spring	8
15	2S35J-01076	Plug-rear dust shield	8
16	Q1-3501S23SY-022	Front dust shield	2
17	Q1-3501S23SY-026	Front brake plate L. H.	1
	Q1-3501S23SY-126	Front brake plate R. H.	1
18	HT1082JQ-3502134-JL	Screw	4
19	Q50512200	Wire, lock	2
20	3501N-132	Shoe shaft-front brake	4
21	Q460819-5	Rivet	48
22	3501N-093	Bushing-brake shoe	4
23	Q1-3501S23SY-101	Front brake shoe	4





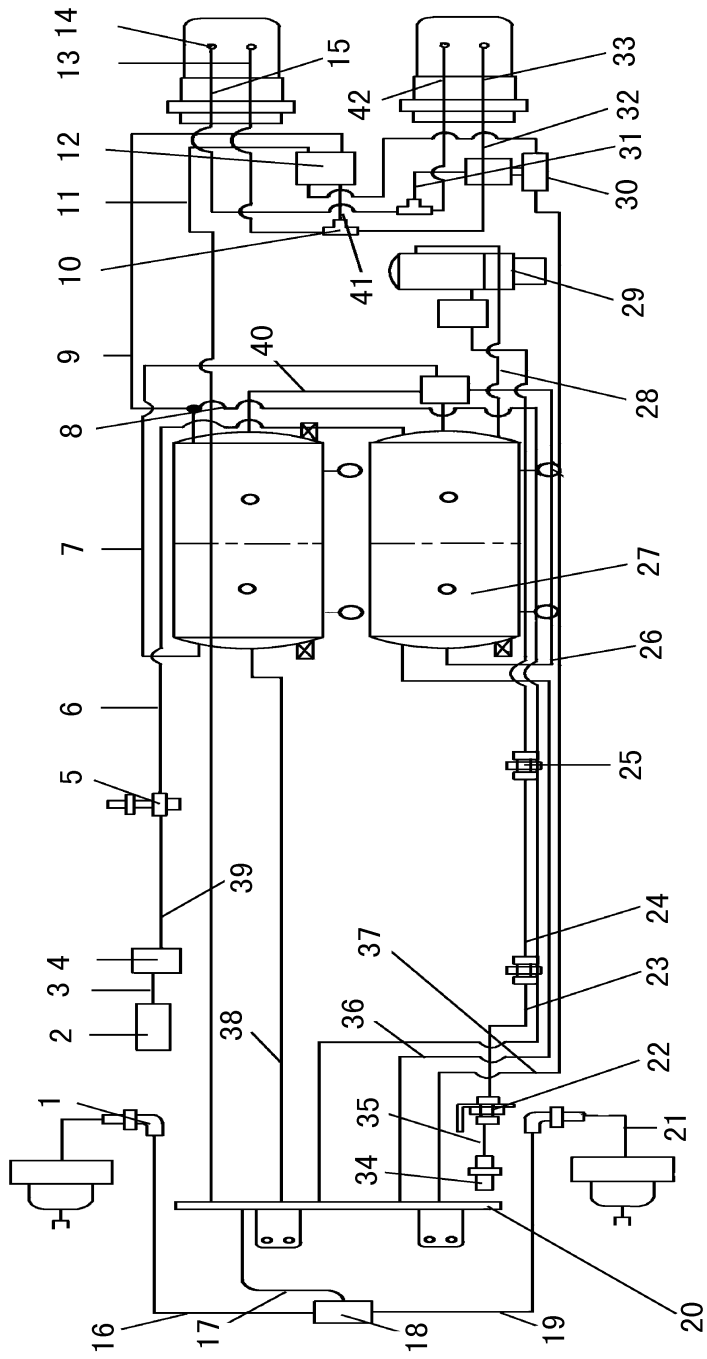
Rear Brake Assembly			Fig • R2402
No.	Part No.	Part Name & Description	Qty.
	3502DE03-010	Rear brake assembly L. H.	1
	3502DE03-015	Rear brake assembly R. H.	1
1	Q500B6330	Pin, cotter	2
2	35D-02050-A	brake adjust arm	2
3	Q500B0424	Pin, cotter	2
4	Q40112	Washer	2
5	3519V65A-041	Fork, cotter	2
6	Q150B1238	Pin, crew cut	2
7	Q150B1235	Hex bolt	1
8	3530V65A-001	Rear spring accumulator chamber L. H.	1
	3530V65A-002	Rear spring accumulator chamber R. H.	1
9	35S68E-02132	Rear brake bracket assembly L. H.	1
	35S68E-02133	Rear brake bracket assembly R. H.	1
10	3501C-044	Washer-camshaft	2
11	Q150B1016	Hex bolt	12
12	Q40310	Washer, spring	12
13	35Q68-01038	Rubber plug	4
	HF17030D2-3502022	Plug	4
14	Q1-3502S68E-022	Rear dustproof tray – rear brake	2
15	Q1-3502S68E-026	Rear brake plate	2
16	HT1082JQ-3502134-JL	Screw – to fix brake shoe	4
17	Q50512200	Wire, lock	2
18	2S35J-02132	Shaft-shoe	4
19	Q4640819-5	Rivet	48
20	2S35J-02093	Bush – rear brake shoe	4
21	Q1-3502S68E-101	Rear brake shoe	4
22	Q1-3502S68E-064	Return spring – rear brake shoe	2
23	HT1082JQ-3502108-JL	Pin, return spring	4







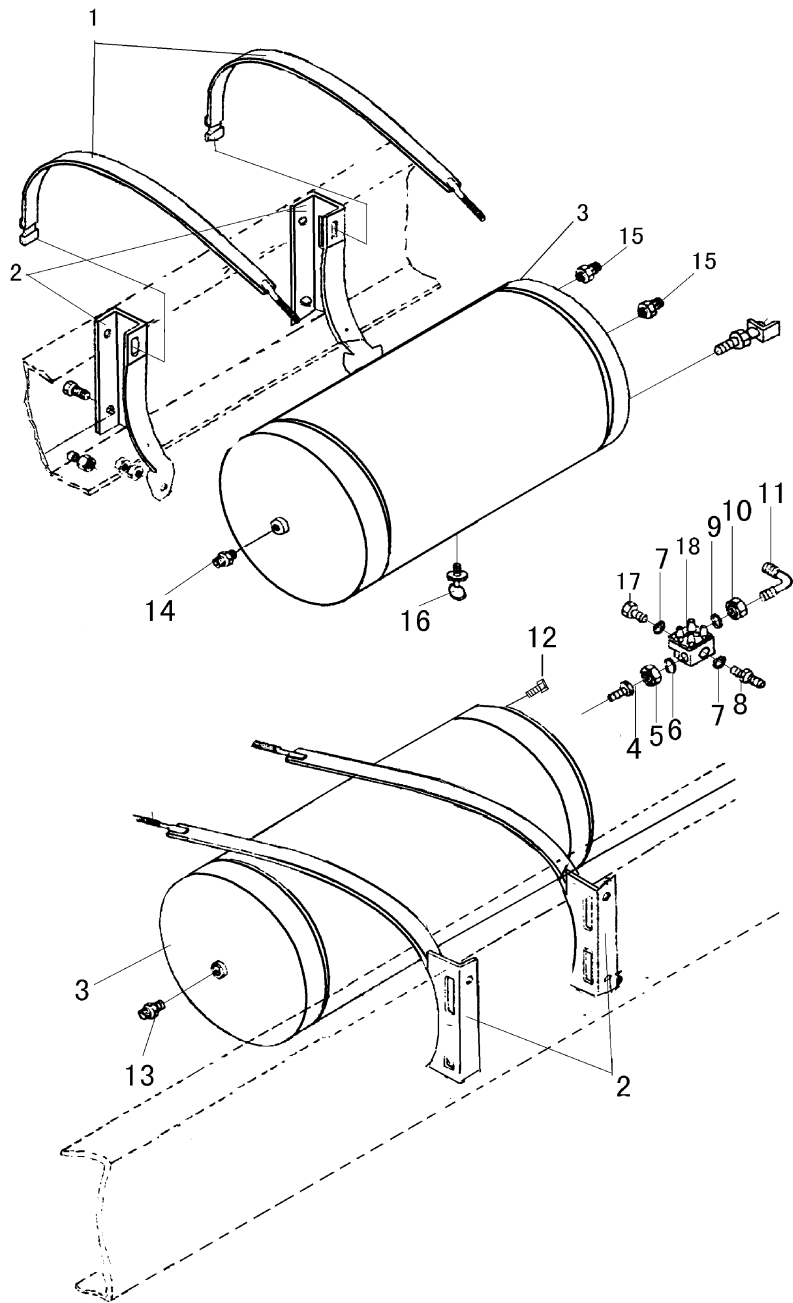
Brake Line, Inside Cab			Fig • B3503
No.	Part No.	Part Name & Description	Qty.
1	3514V66-001	Brake valve assembly	1
2	35V66-06513	Hose bracket	1
3	35D-06803	Bracket, upper	1
	35D-06804	Bracket, lower	1
	Q150B0865	Bolt	1
	Q340B08	Hex bolt,I type	1
	Q40108	Washer	1
	Q40308	Washer, spring	1
	35V66-06552	Hose bracket	1
	Q150B0825	Bolt	1
	Q40108	Washer	1
	Q40308	Washer, spring	1
4	35V66-06542	Nylon pipe assembly — Brake valve 21 connect hole to hose bracket	1
5	35V66-06544	Nylon pipe assembly — Brake valve 22 connect hole to hose bracket	1
6	35V66-06546	Nylon pipe assembly — Brake valve 12 connect hole to hose bracket	1
7	35V66-06548	Nylon pipe assembly-Brake valve 11 connect hole to hose bracket	1
8	35V66-06519	Jacket	1
9	35N35-06070	Transition tie-in	4
	Q351B18	Hex thin bolt	4
	Q41018	Washer	4



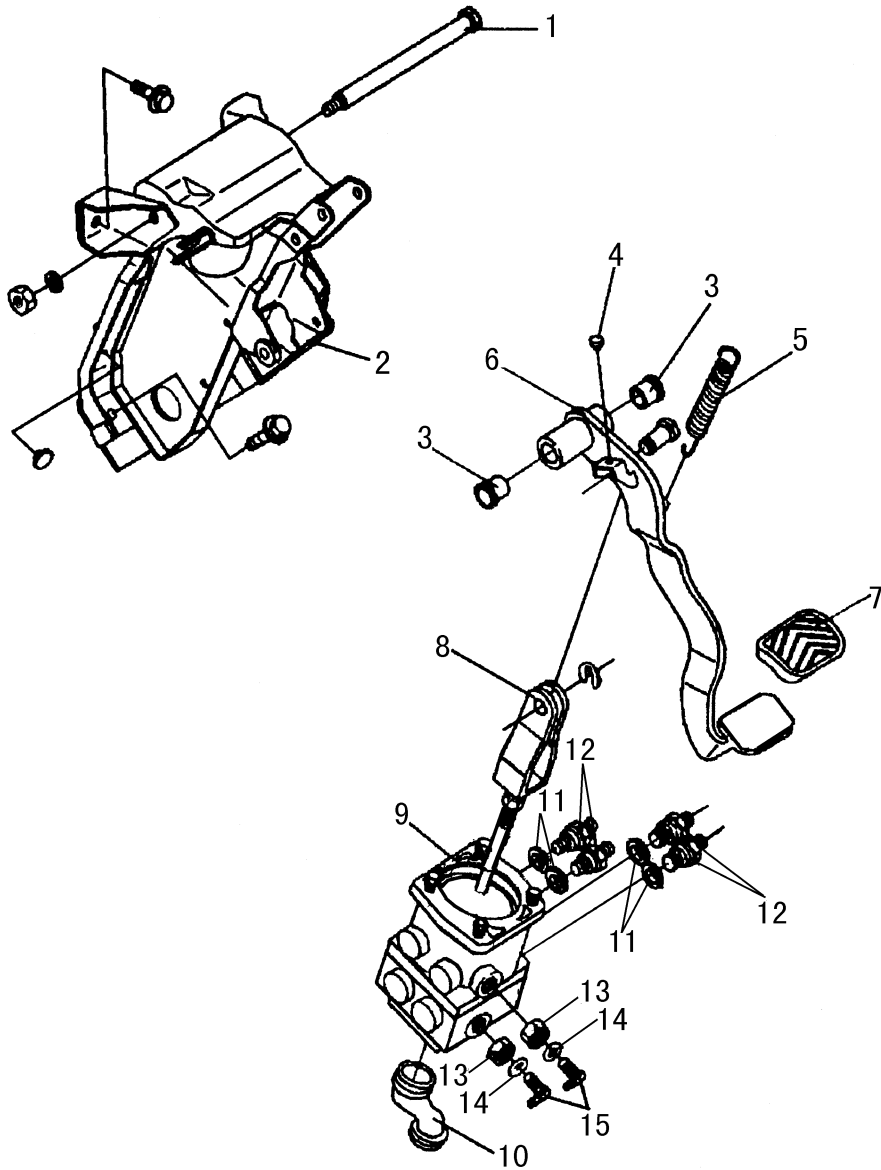
Brake Line			Fig • B3504
No.	Part No.	Part Name & Description	Qty.
1	35.6B2-06071	Elbow fitting	2
	35C-06037	Fitting	2
	Q351B18	Hex thin bolt	2
	Q41018	Washer	2
2	3541N-010	exhaust brake valve assembly	1
	35N-41040	Fitting, tube	1
3	35V66-41046	air line assembly — electromagnetic valve to exhaust brake valve	1
4	35.6B2-06017	Fitting, tube	1
	35N-41042	Fitting — for electromagnetic valve	1
5	35V66-06031	Three way fitting	1
	Q340B10	Hex bolt, I type	1
	Q40310	Washer, spring	1
6	RQ85010195G	Nylon pipe assembly	1
7	RQ85010155G	Nylon pipe assembly	1
8	RQ85010570D	Nylon pipe assembly	1
9	RQ85010170K	Nylon pipe assembly	1
10	35V66-06141	Three way fitting	2
	Q351B18	Hex thin bolt	2
	Q41018	Washer	2
11	RQ85010610A	Nylon pipe assembly	1
12	35V66-42001	loading sensing valve assembly	1
13	35V66-06322	Air line assembly	1
14	35N-06105	Fitting	2
	35N-06037	Washer	2
15	35V66-06326	Air line assembly	1
16	RQ85010110	Nylon pipe assembly	1
17	RQ8501058B	Nylon pipe assembly	1

Brake Line			Fig • B3504
No.	Part No.	Part Name & Description	Qty.
18	35V66-06904	Quick release valve subassembly	1
19	RQ85010115	Nylon pipe assembly	1
20	35V66-06075	Hose assembly	6
	Q351B16	Hex thin bolt	6
	Q41016	Washer	6
	35V66-06015	Hose bracket assembly	1
	Q150B0820	Bolt	4
	Q340B08	Hex bolt, I type	4
	Q40308	Washer, spring	4
21	Q-22N-650-W	Hose assembly	2
22	35V66-06024	Hose bracket	1
	Q351B18	Hex thin bolt	1
	Q41018	Washer	1
	Q40312	Washer, spring	1
	Q150B1225	Bolt	1
23	35V66-06050	Hose assembly	1
24	35V65A-06104	Fitting, elbow	1
25	35V65A-06106	Hose assembly	1
26	RQ85010100G	Nylon pipe assembly	1
27	35V65A-13001	Hose assembly	1
28	35V69-06208	Air line assembly — desiccator to damp Air tank assembly	1
29	35V66-06901	Air desiccator and unloader valve subassembly	1
30	35V66-06903	double direction valve and Quick release valve subassembly	1
31	Q-22-450W	Hose assembly	1
32	RQ8501047	Nylon pipe assembly	1
33	35V65A-06320	Hose assembly	1
34	35.6B2-06092	Fitting, elbow	1





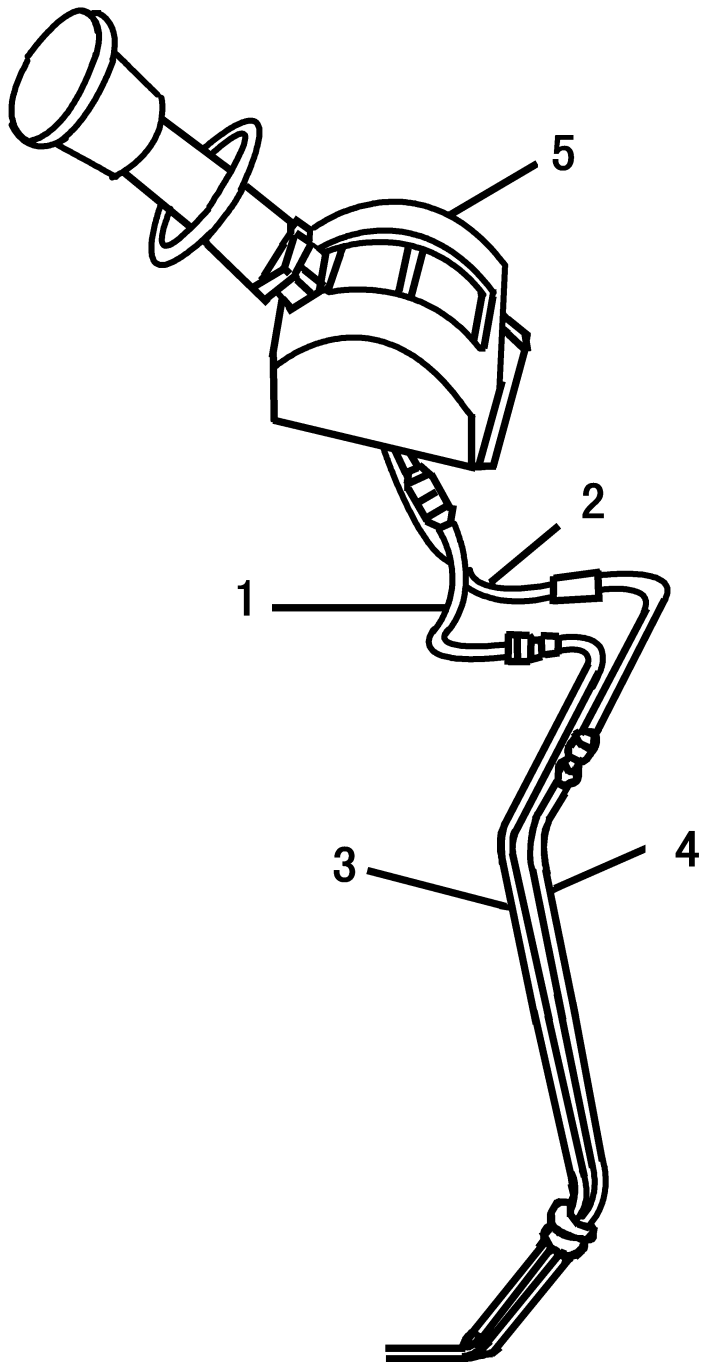
Air Tank Installation			Fig • B3505
No.	Part No.	Part Name & Description	Qty.
1	35Q54-13020	Clamp assembly	6
	Q340B10	Nut	12
	Q150B1025	Bolt	12
	Q40310	Washer, spring	12
	Q40110	Washer	12
2	3513N-010	Air tank assembly (20L × 2)	2
3	35N-06046	Transition fitting	1
4	35N-06026	Nut	1
	35N-06027	Nut	1
5	35N-06031	O-ring	1
6	35N-06037	Washer	3
7	35C-06037	Fitting, tube	1
8	35N-06032	O-ring	1
9	35N-06027	Nut	1
10	35B06-06096	Fitting, elbow	1
11	RQ61801	Plug	3
12	35DR10-06020	Fitting, tube	3
13	35.6B2-06012	Fitting, tube	1
14	35.6B2-06011	Fitting, tube	1
15	3513D-040	Drain valve assembly	3
16	Q43015	Ring, snap	3
17	3515Q54-010	4-way circuit protection valve assembly	1
18	3832N-010	Alarm, air pressure	2





Brake Valve Control System			Fig • B3506
No.	Part No.	Part Name & Description	Qty.
1	35V51-04031	Shaft, pedal	1
	Q340B12	Hex bolt,I type	1
	Q40312	Washer, spring	1
	Q40112	Washer,	1
2	35V66-04020	Bracket assembly	1
	Q150B0825	Bolt	2
	Q340B08	Hex bolt,I type	4
	Q40308	Washer, spring	4
	Q40108	Washer	4
3	16N-02024	Bushing	2
4	35N-04016	Buffer	1
5	35V50A-04028	Return spring	1
6	35V66-04010	Pedal arm assembly	1
7	16N-02029	Shield, pedal	1
8	35V50A-04026	Fork assembly	1
	Q510B1430	Pin, shaft	1
	Q500B0426	Pin, cotter	1
	Q40114	Washer	1
	Q340B12	Hex bolt,I type	1
9	3514V66-001	Brake valve assembly	1
	Q150B0825	Bolt	4
	Q340B08	Hex bolt,I type	2
	Q40308	Washer, spring	2
10	35V66-04031	Tube, boot	1
	Q50501150	Wire, lock	1
11	35N-06037	Washer	4
12	35BY-06513	Fitting, pipe	4
13	35N-06027	Nut	2





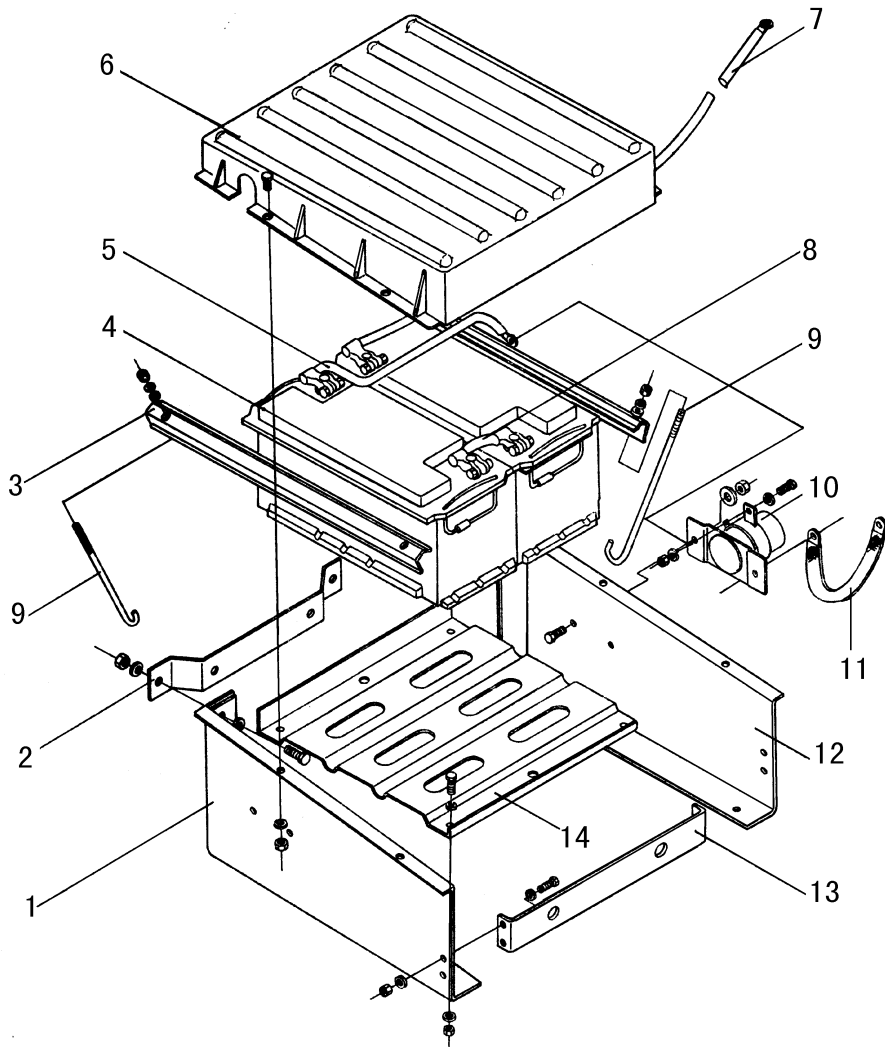


# 12. Electric System

---

Fig.EL3701	Battery .....	12-1
Fig.EL3702	Headlight .....	12-4
Fig.EL3703	Rear Tail Lamp .....	12-6
Fig.EL3704	Harness in Cab.....	12-8
Fig.EL3705	Cab Electric Elements .....	12-10
Fig.EL3706	Cab Harness.....	12-13
Fig.EL3707	Chassis Frame Harness .....	12-16
Fig.EL3708	Electric Accessories .....	12-19

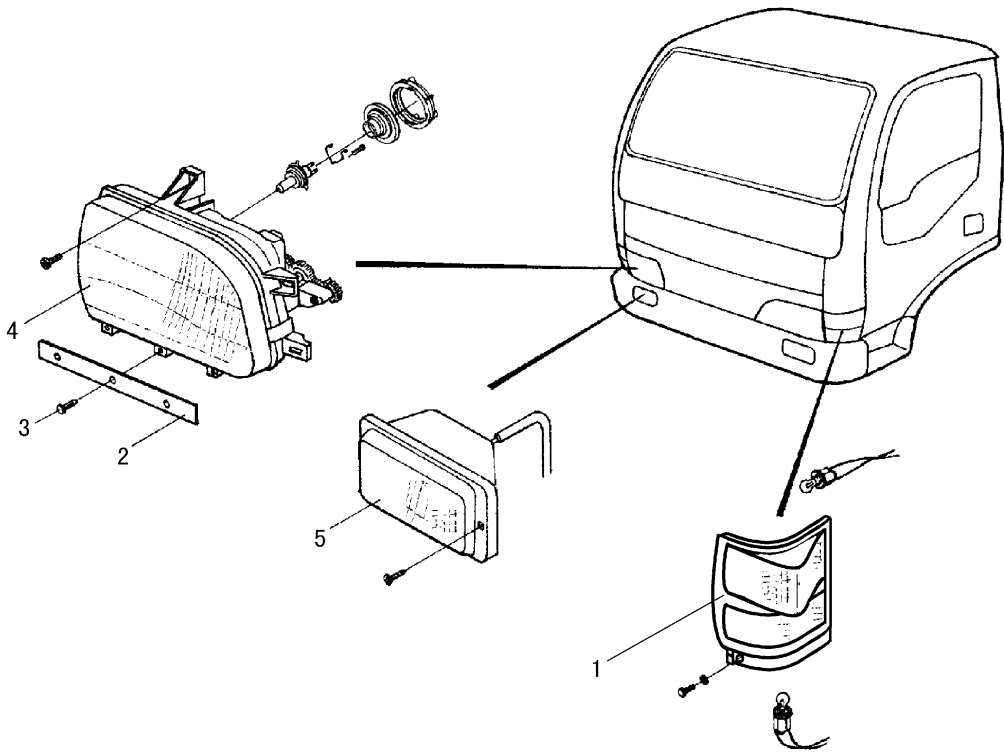




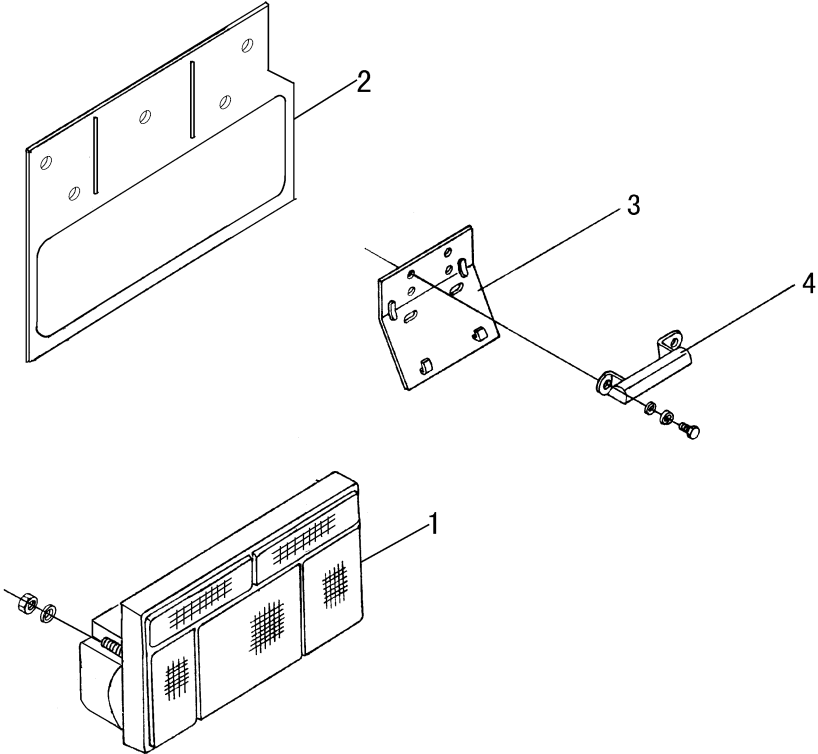
Battery			Fig • EL3701
No.	Part No.	Part Name & Description	Qty.
	37Q01-03125-B	Battery frame ass'y (Inc No.1.12.13.14)	1
1	37Q01-03127	Left plate ass'y, Battery frame	1
2	37Q01-03136	Retainer, Rear	1
	Q150B1235	Bolt	4
	Q340B12	Nut	4
	Q40112	Washer	4
	Q40312	Spring washer	4
3	37Q01-03140-A	Pull rod ass'y	2
4	37Q08-03010	Battery ass'y, with liquid & full charge	2
	6-QW-90DF	Battery ass'y, without liquid & empty	1
5	37Q08-24150	Battery positive wire	1
	Q194B08030-P	Bolt	1
	Q40308-P8	Spring washer	1
	Q340B08-P	Nut	1
6	37Q01-03142	Cover, Battery	1
	Q150B0822	Bolt	4
	Q340B08	Nut	4
	Q40108	Washer	4
7	37Q01-24130-B	Battery negative wire	1
	Q194B0830-P	Bolt	1
	Q40308-P8	Spring washer	1
	Q340B08	Nut	1
8	37Q01-24160	Connecting cable ass'y, Batteries	1
	Q194B0830-P	Bolt	2
	Q40308-P8	Spring washer	2
	Q340B08-P	Nut	2
9	37Q01-03137-C	Pull rod, front	4
	Q340B08	Nut	8



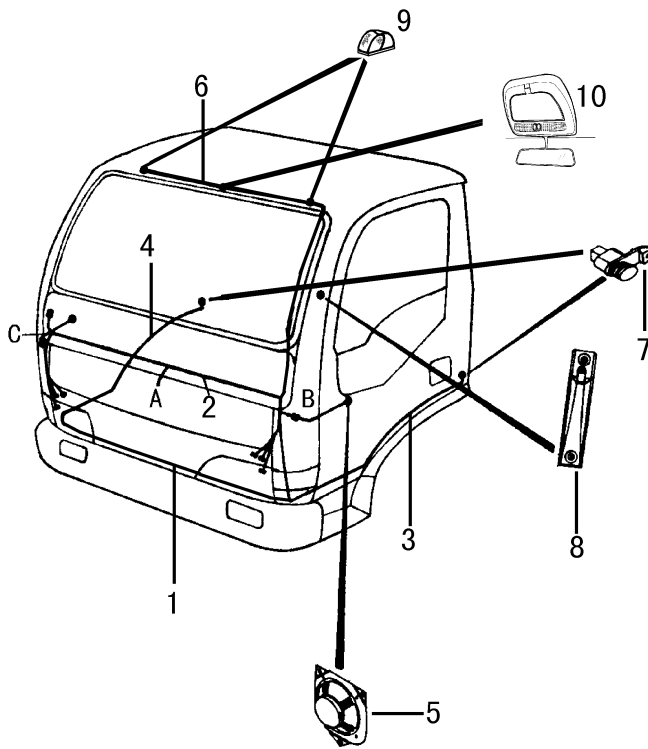
Battery			Fig • EL3701
No.	Part No.	Part Name & Description	Qty.
	Q40108	Washer	8
	Q40308	Spring Washer	8
10	37D52-36010	Electromagnetic switch	1
	Q40110	Washer	2
	Q40310	Spring washer	2
	Q150B1025	Bolt	2
	Q340B10	Nut	2
11	37C-24320	Negative cable ass'y, From chassis to engine	1
	Q150B0822	Bolt	1
	Q41208	Washer	1
	Q340B08	Nut	1
12	37Q01-03126	Left plate ass'y, Battery frame	1
13	37Q01-03135	Retainer, Front	1
14	37Q01-03134	Bottom plate, Battery frame	1
	Q150B0825	Bolt	8
	Q340B08	Nut	8
	Q40108	Washer	8
	Q40308	Spring washer	8



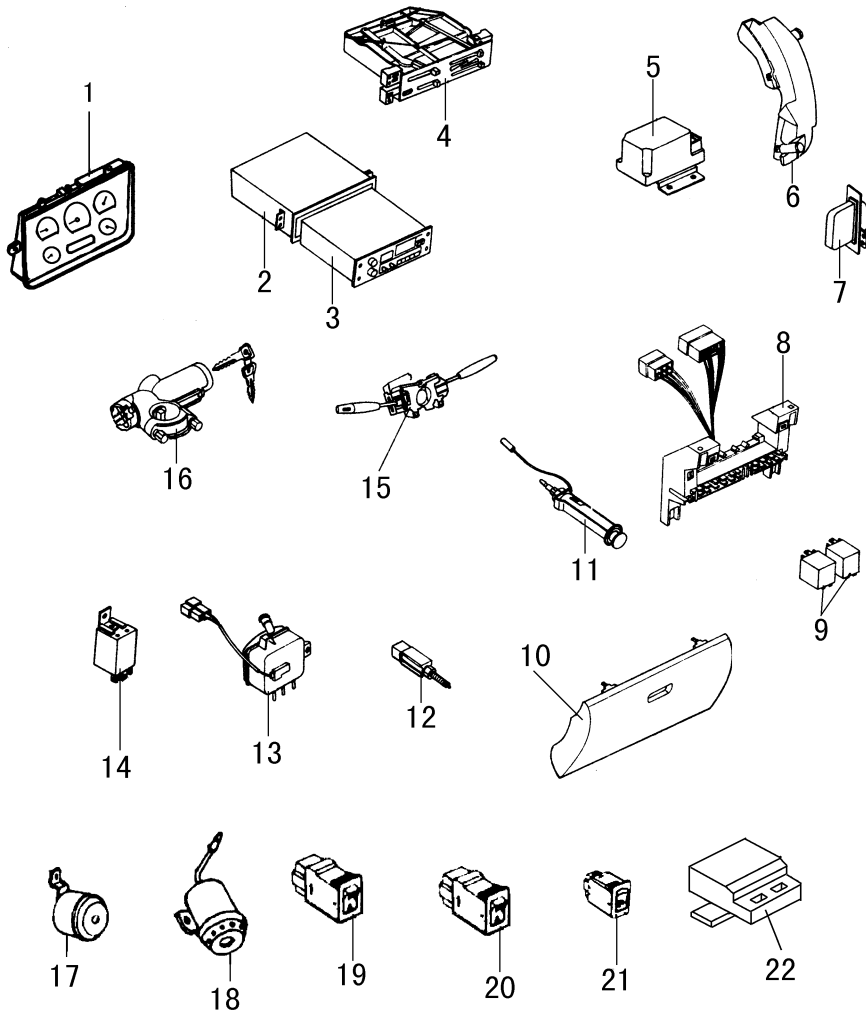




Rear Tail Lamp			Fig • EL3703
No.	Part No.	Part Name & Description	Qty.
1	37V66-73010	Rear left combination lamp ass'y	1
	37V66-73020	Rear right combination lamp ass'y	1
	Q340B08	Nut	4
	Q40108	Washer	4
	Q40308	Spring washer	4
	2	37QF18-73011	Bracket, Tail lamp ass'y, Left
	37QF18-73021	Bracket, Tail lamp ass'y, Right	1
	Q150B1022	Bolt	4
	Q340B10	Nut	4
	Q40110	Washer	4
	Q40310	Spring Washer	4
3	37N-17118-A	Retainer, License lamp	1
4	37N-17010-B	License lamp ass'y	1
	Q150B0820	Bolt	4
	Q40208	Washer	4
	Q40308	Spring washer	4
	Q340B08	Nut	4



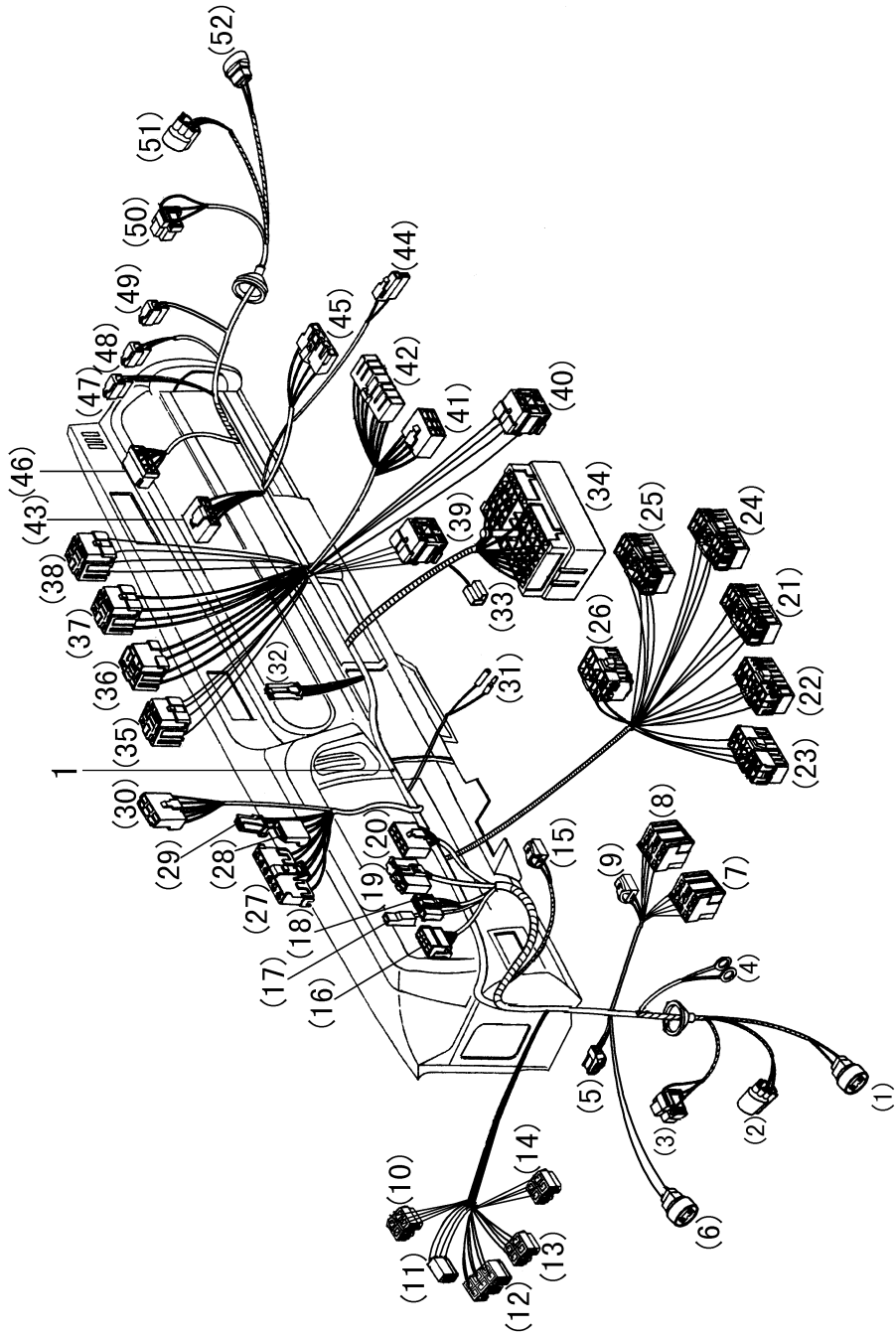






Cab Electric Elements			Fig • EL3705
No.	Part No.	Part Name & Description	Qty.
1	3801V66-010-B	Instrument ass'y	1
	Q2710612	Screw	4
2	37V66-75020	Tape recorder ass'y	2
	37QA-75015	Antenna ass'y	1
	Q2140510	Screw	2
3	37V66-75030	Sleeve ass'y, Tape recorder	1
4	37QA-13010	Indicator	1
	37V66-13010	Indicator	1
	37QA-44020	Switch, heating ass'y	1
	37QA-45020	Switch, air condition	1
	37V66-45020	A/C switch	1
	37QA-45021	Plug — A/C switch	1
	5	37V50-35010	Intermittent relay ass'y, windshield wiper
37V50-41010		Motor, windshield wiper	1
6	37V50-47020	Nozzle ass'y	1
	37QA-47017	Bracket, washer ass'y	1
	37QA-24284	Ring, sealing	1
	RQ1760625	Bolt	1
	RQ42306	Spring washer	1
	Q174B0516	Bolt	3
	Q40105	Washer	3
7	37V50-44010-B	Motor, heating system	1
	81QA-01025	Shell ass'y, motor	1
8	37QM-22010-B	Box, meltor ass'y	1
9	37N-35090	Relay ass'y	5
10	37V66-22011	Cover, box, meltor ass'y	1
11	37V50-25010	Lighter ass'y, smoking	1

Cab Electric Elements			Fig • EL3705
No.	Part No.	Part Name & Description	Qty.
12	37N-50120	Switch, brake lamp	1
13	16V66-05010	Oil tank ass'y	1
14	37QB10E-35020	Flasher	1
15	37QA-74010	Combination switch ass'y	1
	Q2710518	Screw	3
16	37QA-04030	Lock & key ass'y	1
17	3832N-010	Warner ass'y, lower air pressure	5
18	38N-18010	Warner ass'y, reverse	1
	Q150B0825	Bolt	1
	Q340B08	Nut	1
	Q40108	Washer	1
	Q40308	Spring washer	1
	Q41208	Washer	1
19	37N-50020	Switch ass'y, air horn	1
20	37N-50060	Switch ass'y, rear fog lamp	1
21	37V66-50050	Switch ass'y, fog lamp	1
	37N-50040	Switch ass'y, air dryer	1
	37V66-50160	Switch ass'y, hazard	1
	JK926H	Power switch ass'y	1
	Q351B12	Nut	1
22	37V65-34010	Module, warning control	1
	37QA-24027	Band	1
	Q40105	Washer	2
	Q40305	Spring washer	2
	Q150B0512	Bolt	2

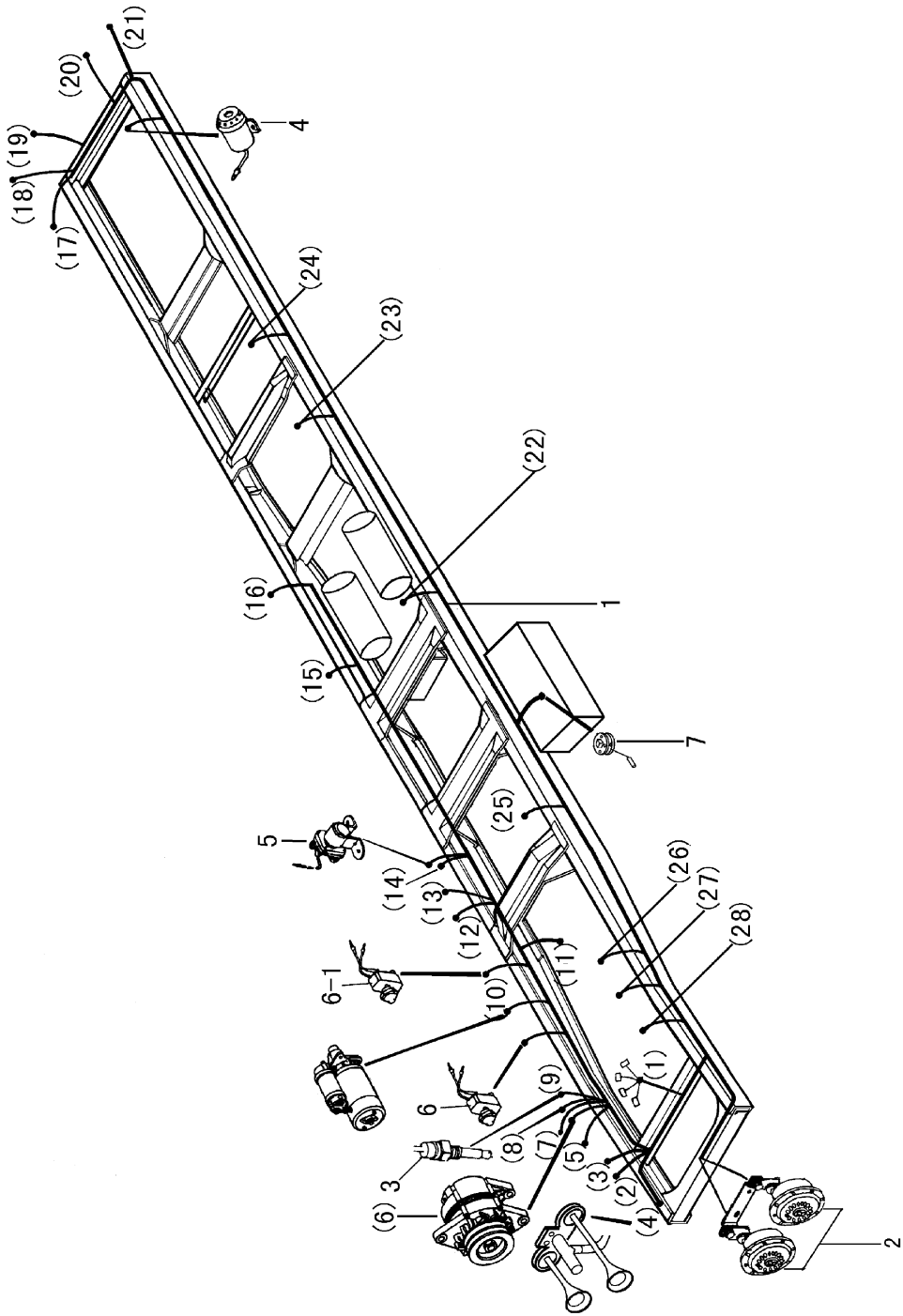


Cab harness		Fig • EL3706	
No.	Part No.	Part Name & Description	Qty.
1	37V66-24010	Cab harness ass'y	1
		(1)- to fog lamp, left, front	
		(2)-to combination lamp, left, front	
		(3)- to headlight, left, front	
		(4)-ground	
		(5)-to left door wiring harness	
		(6)-to foot wiring harness	
		(7)-to clutch switch	
		(8)-to warning module	
		(9)-to warning buzzer	
		(10)-to exhaust brake switch	
		(11)-to power switch	
		(12)-to air horn exchange switch	
		(13)-to dryer switch	
		(14)-to rear fog lamp switch	
		(15)-to brake lamp switch	
		(16)-to combination switch, windshield wiper	
		(17)-to combination switch, steering	
		(18)-to combination switch, horn	
		(19)-to ignition lock	
		(20)-to combination switch, light	
		(21)-to meter socket (A)	
		(22)-to meter socket (B)	
		(23)-to meter socket (C)	
		(24)-to meter socket (D)	
		(25)-to hazard switch	
		(26)-to switch, front fog lamp	
		(27)-to switch, heater	

驾驶室电线束

Fig • EL3706

No.	Part No.	Part Name & Description	Qty.
		(28)-to indicator panel	
		(29)-to A/C switch	
		(30)-to radio	
		(31)-to lighter	
		(32)-to air condition control AMP	
		(33)-to wire harness, chassis	
		(34)-to wire harness, chassis	
		(35)-to flasher	
		(36)-to relay ass'y, cooler	
		(37)-to relay ass'y, heater	
		(38)-to relay ass'y, ignition	
		(39)-to relay ass'y, air condition	
		(40)-to relay ass'y, horn	
		(41)-to fuse box	
		(42)-to fuse box	
		(43)-to motor, wind wiper	
		(44)-to motor, heater	
		(45)-to resistance, heater motor	
		(46)-to relay, intermittent, wind wiper	
		(47)-to windshield washer	
		(48)-to wiring harness, dome	
		(49)-to wiring harness, right door	
		(50)-to headlight, right	
		(51)-to combination lamp, right	
		(52)-to fog lamp, front, right	



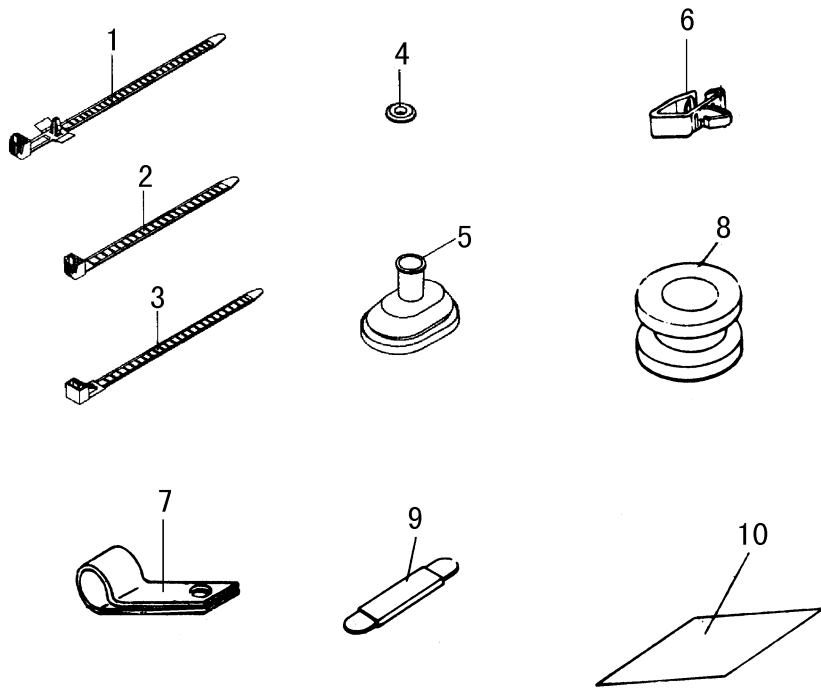
Chassis Frame Harness			Fig • EL3707
No.	Part No.	Part Name & Description	Qty.
1	37V67-24080-A	Chassis frame harness ass'y	1
2	37V50-21010	Horn ass'y	1
	Q150B0825	Bolt	2
	Q340B08	Nut	2
	Q40108	Washer	2
	Q40308	Spring washer	2
3	3845N-010	Sensor, water temperature	1
4	38N-18010	Warner ass'y, reverse	1
	Q150B0825	Bolt	1
	Q340B08	Nut	1
	Q40108	Washer	1
	Q40308	Spring washer	1
	Q41208	Washer	1
5	37N-35085-B	Relay ass'y, starter	1
	Q150B0830	Bolt	2
	Q340B08	Nut	2
	Q40108	Washer	2
	Q40308	Spring washer	2
6	37N-50130	Knob ass'y, ignition, assistant	1
7	3827Q01-010-B	Sensor ass'y, fuel level	1
	3827N-011	Spring	1
	3827N-012	Cover	1
	3827N-013	Bobber	1
	3827Q01-015	Lod, bobber, to spring ass'y	1
		(1)-to cab wiring harness	
		(2)-to motor, cooler	
		(3)-to switch, pressure	
		(4)-to horn ass'y	

## 车架电线束

Fig • EL3707

No.	Part No.	Part Name & Description	Qty.
		(5)-to air compressor	
		(6)-to alternator	
		(7)-to warning sensor ass'y, oil pressure	
		(8)-to sensor ass'y, oil pressure	
		(9)-to sensor ass'y, water temperature	
		(10)-to starter	
		(11)-to reverse switch	
		(12)-to negative cable ass'y, chassis	
		(13)-to electromagnetic switch, power	
		(14)-to electromagnetic valve, exhause brake	
		(15)-to warning sensor, air pressure	
		(16)-to warning sensor, air pressure	
		(17)-to combination lamp, rear, right	
		(18)-to harness ass'y, cargo body	
		(19)-to license plate lamp	
		(20)-to harness ass'y, cargo body	
		(21)-to combination lamp, rear, left	
		(22)-to warning sensor, air pressure	
		(23)-to dryer	
		(24)-to warning sensor, air pressure	
		(25)-to neutral switch	
		(26)-to sensor, tachometer	
		(27)-to electromagnetic valve, flameout	
		(28)-to switch, fuel intake	





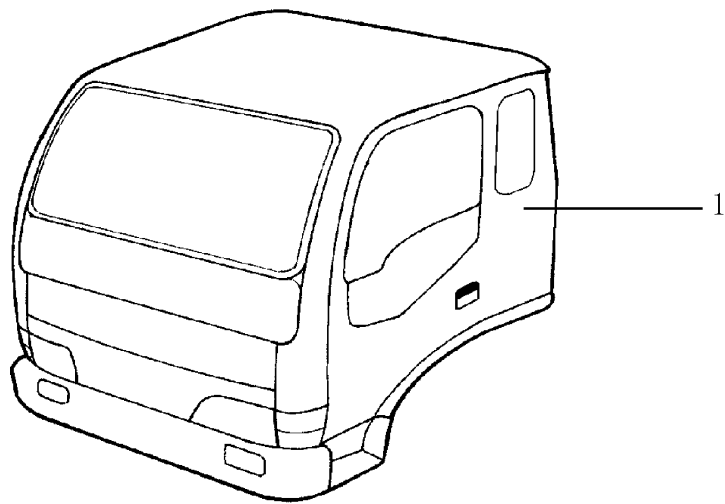


# 13. Cab

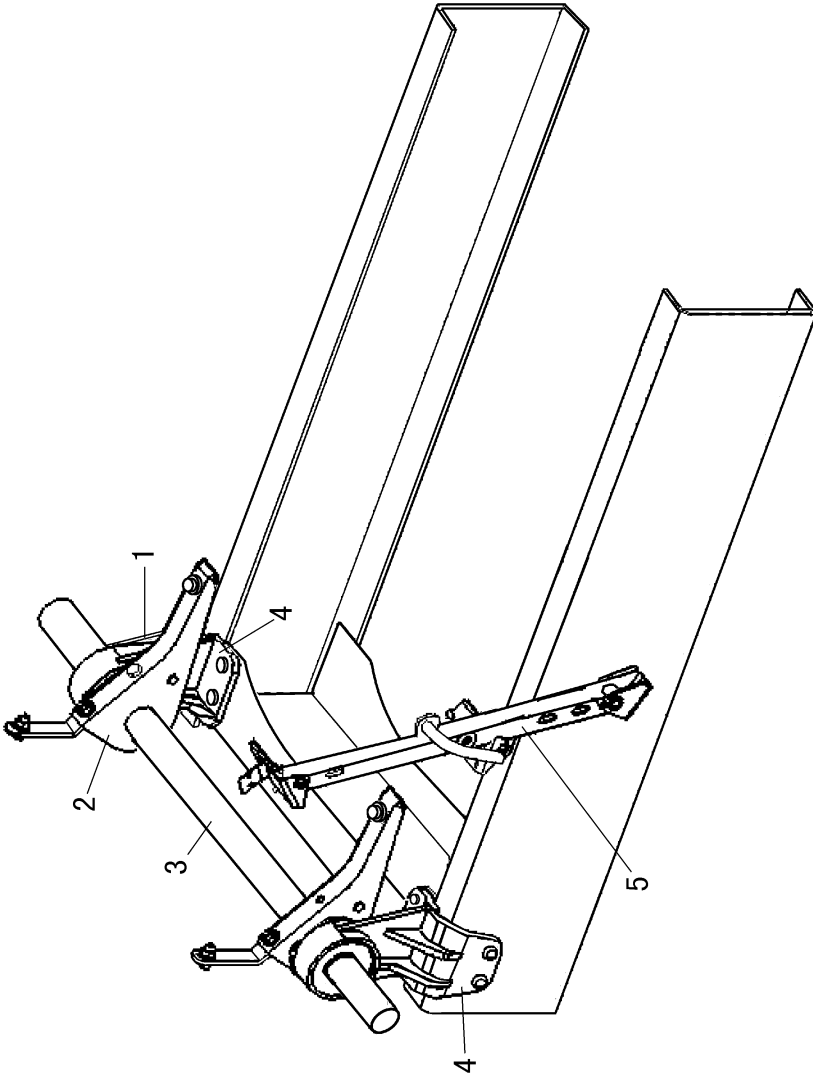
---

Fig.CA5001	Cab .....	13-1
Fig.CA5002	Cab Front Mounting .....	13-3
Fig.CA5003	Cab Rear Mounting .....	13-5
Fig.CA5004	Cab Tilting Mechanical Hardware.....	13-7
Fig.CA5101	Cab Floor.....	13-9
Fig.CA5103	Cab Carpet .....	13-11
Fig.CA5201	Cab Front/Rear Windshield .....	13-13
Fig.CA5202	Windshield Wiper.....	13-15
Fig.CA5301	Cab Front Panel Facial Cover .....	13-17
Fig.CA5302	Cab Front Panel, Roof.....	13-19
Fig.CA5303	Steering Apparatus Accessories.....	13-21
Fig.CA5304	Cab Instrument Panel .....	13-23
Fig.CA5401	Cab Side Wall .....	13-25
Fig.CA5601	Cab Rear Panel .....	13-27
Fig.CA6101	Door .....	13-29
Fig.CA6801	Seat .....	13-32
Fig.CA8101	Heater System.....	13-34
Fig.CA8102	Air-conditioning System .....	13-36
Fig.CA8201	Cab Accessories.....	13-38
Fig.CA8202	Cab Safety Belt.....	13-40
Fig.CA8401	Cab Mudguard.....	13-42



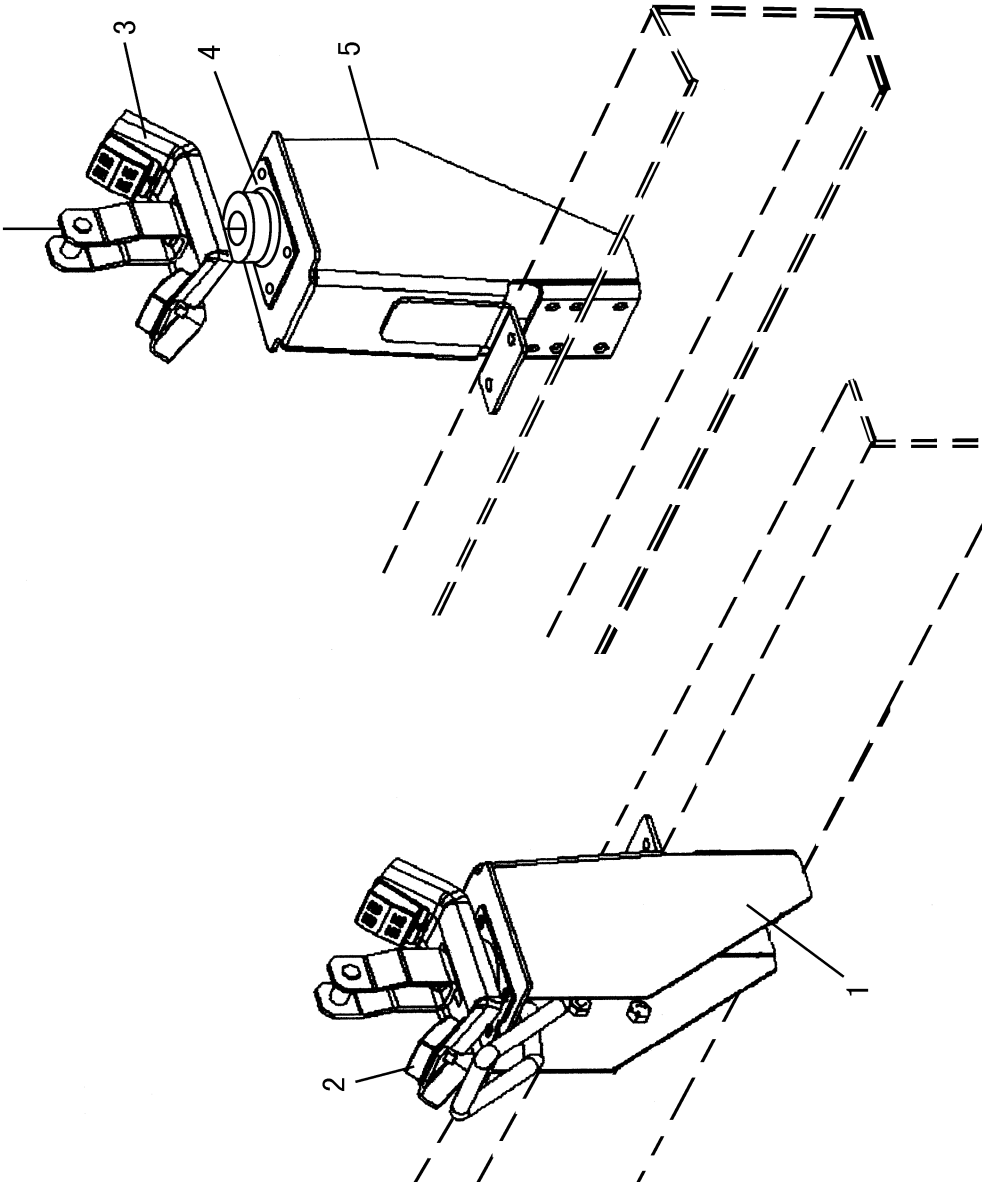




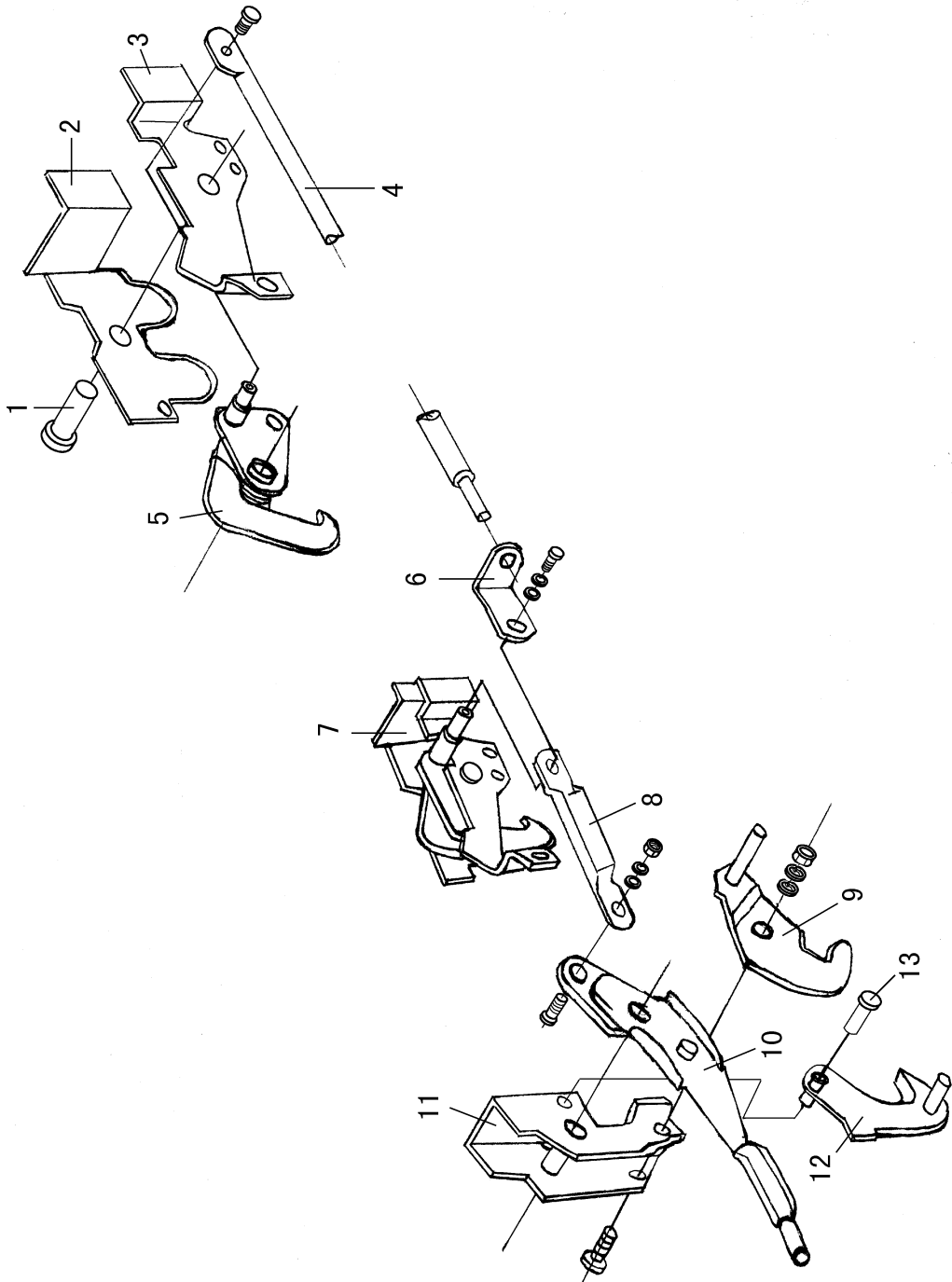


Cab Mounting			Fig • CA5002
No.	Part No.	Part Name & Description	Qty.
1	50V67-04025	Torsion bar arm assy	1
2	50V66-04030	Tilting bracket assy	1
	50V66-04038	Assistant bracket assy	2
	50V66-04036	Tilting bracket	2
	50V66-04033	Left spline sleeve assy	1
	50V66-04032	Torsion bar sleeve	1
	Q1840825	Bolt	3
	Q150B1225	Bolt	6
	Q40212	Big washer	3
3	50V67-04045	Torsion bar	1
4	50V66-04009	Left bracket--front mounting	1
	50V66-04010	Right bracket--front mounting	1
	Q340B08	Nut	4
	Q340B12	Nut	4
	Q40112	Plain washer	4
	Q150B0830	Bolt	4
5	50V50B-05006	Retainer lower assy	1
	Q500B3220	Cotter pin	2
	Q40014	Small washer	2





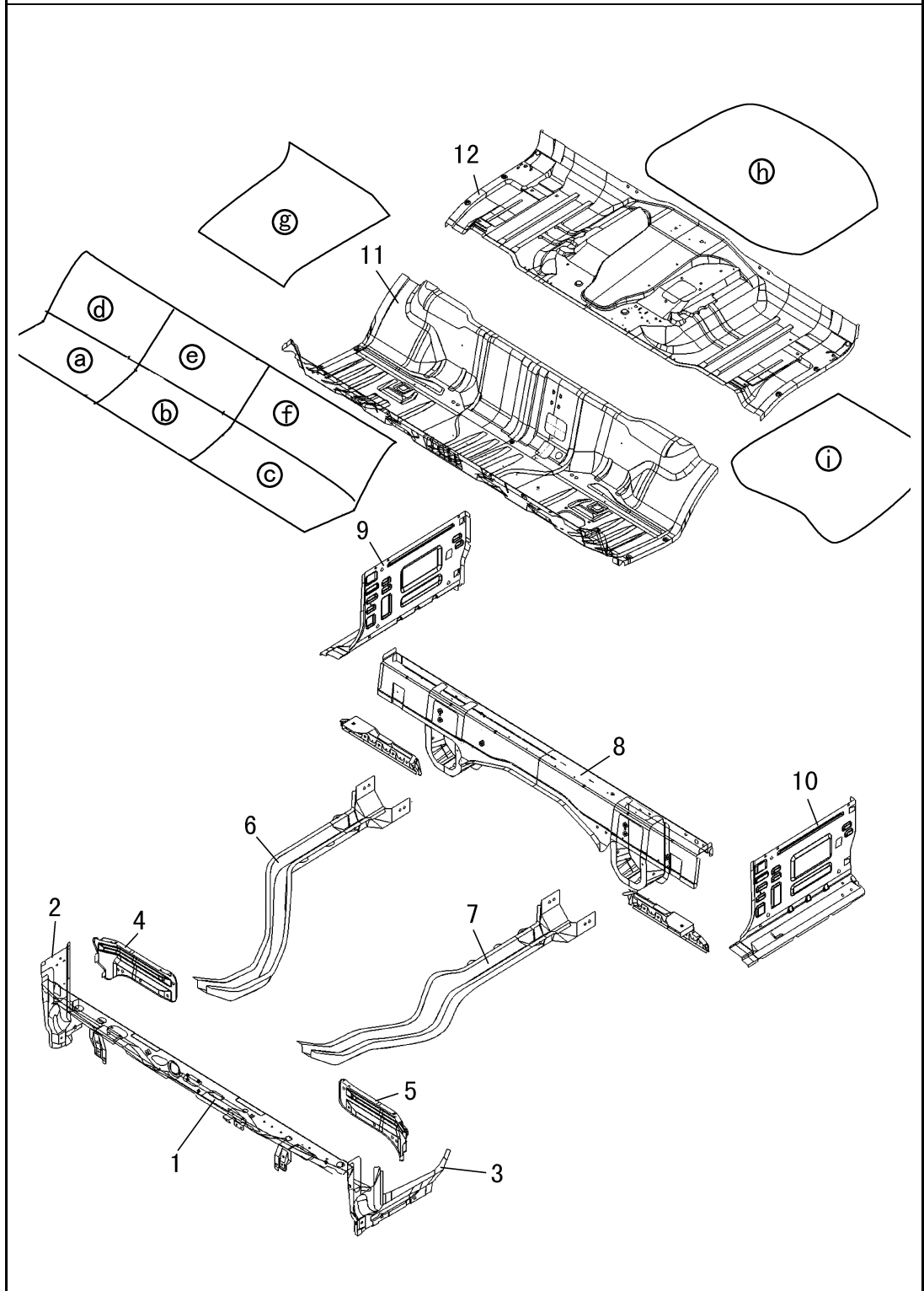




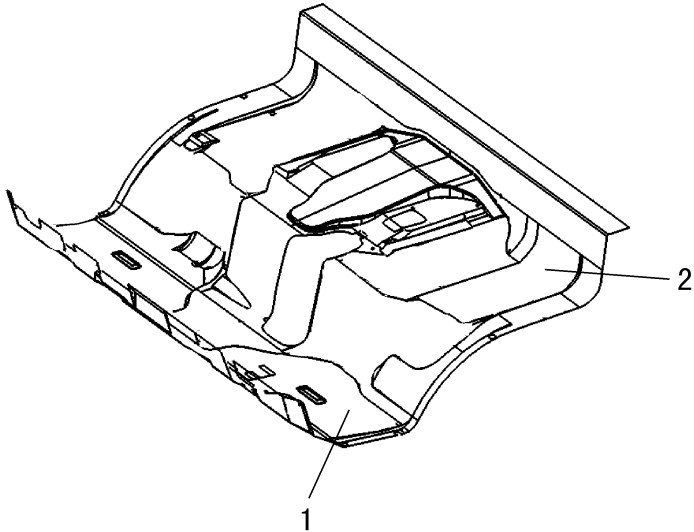
## Cab Tilting Mechanical Hardware

Fig•CA5004

No.	Part No.	Part Name & Description	Qty.
1	50V66-02018	Limiting shaft	1
2	50V66-02016	Seat plate	1
3	50V66-02017	Connecting bracket--controlling handle	1
4	50V66-03045	Pull lever assy	1
	Q341B12	Nut	1
	Q40112	Plain washer	2
	Q41812	Spring washer	1
	Q500B3220	Cotter pin	1
	Q510B1220	Axis pin	1
5	50V66-02029	Roker arm assy	2
6	50V66-03043	Connecting bracket	1
7	50V66-02015	Seat plate assy	1
8	50V66-03041	Pull lever A	1
	Q40112	Plain washer	1
	Q41812	Spring washer	1
	Q500B3220	Cotter pin	1
9	50V66-03020	Limiting arm assy	1
10	50V66-03025	Controlling handle sub assy	1
11	50V66-03015	Bottom plate assy	1
	Q340B08	Nut	1
	Q43110	Snap ring for shaft	1
	Q43116	Snap ring for shaft	1
12	50V66-03060	Safety hook assy	1
13	50V66-03065	Shaft--safety hook	1

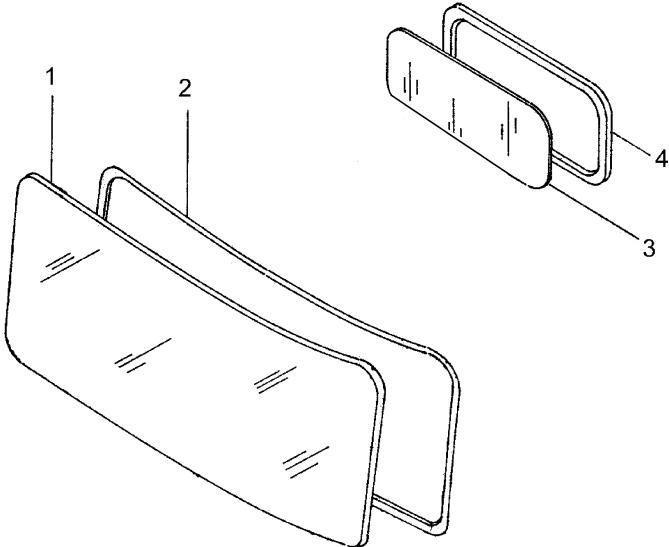


Cab Floor			Fig • CA5101
No.	Part No.	Part Name & Description	Qty.
	51V67-00010	Floor welding assy	1
1	51V66-01065	Front cross member assy--floor	1
2	51V66-01156	Rear mudguard support plate assy, right	1
3	51V66-01155	Rear mudguard support plate assy, left	1
4	51V66-01214	Right front mudguard support plate	1
5	51V66-01213	Left front mudguard support plate	1
6	51V66-01106	Right longitudinal beam assy	1
7	51V66-01105	Left longitudinal beam assy	1
8	51V66-01130	Rear cross member welding assy	1
9	51V66-01216	Rear vertical plate assy, right	1
10	51V66-01215	Rear vertical plate assy, left	1
11	51V66-01010	Front floorr welding assy	1
12	51V66-01050	Rear floor welding assy	1
a	51V66-02013	Right front fusible shockproof heat insulation--front floor	1
b	51V66-02012	Center front fusible shockproof heat insulation--front floor	1
c	51V66-02011	Left front fusible shockproof heat insulation--front floor	1
d	51V66-02016	Right rear fusible shockproof heat insulation--front floor	1
e	51V66-02015	Center rear fusible shockproof heat insulation--front floor	1
f	51V66-02014	Left rear fusible shockproof heat insulation--front floor	1
g	51V66-02018	Right fusible shockproof heat insulation--rear floor	1
h	51V66-02019	Center fusible shockproof heat insulation--rear floor	1
i	51V66-02017	Left fusible shockproof heat insulation--rear floor	1

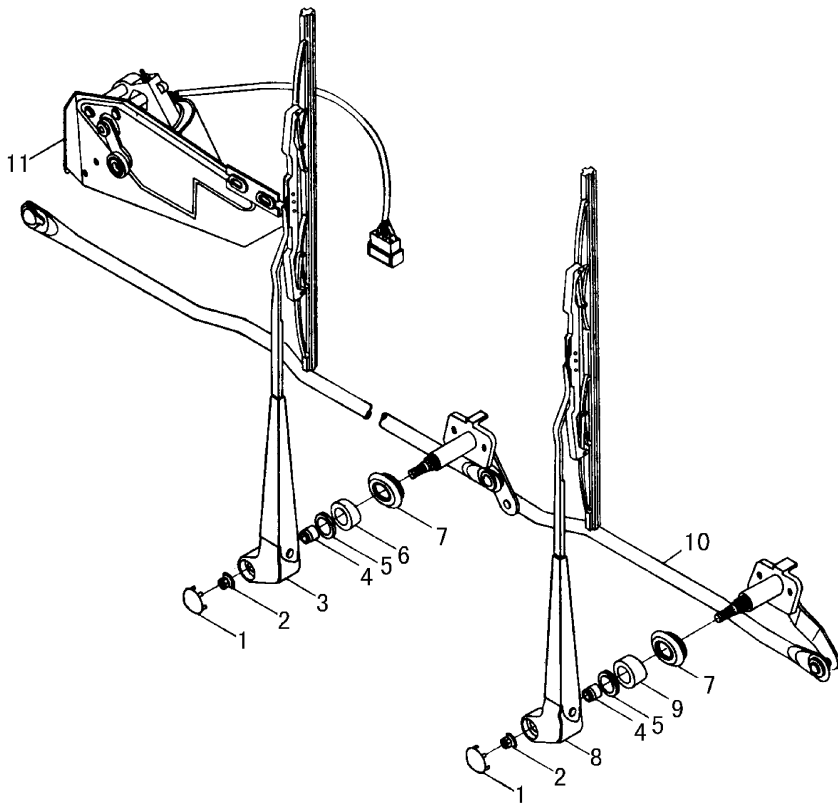




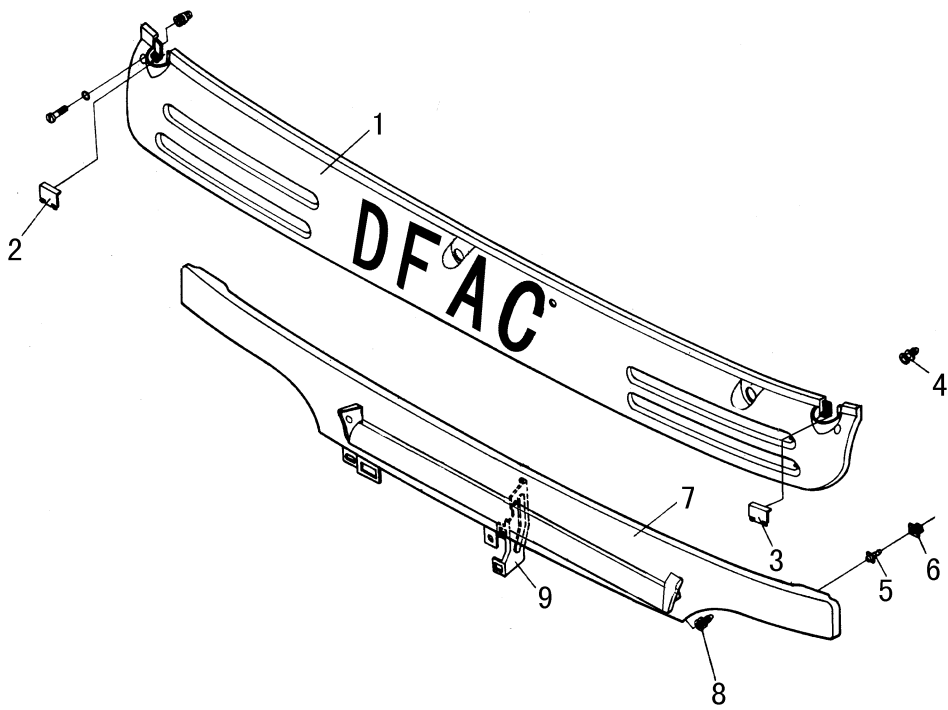




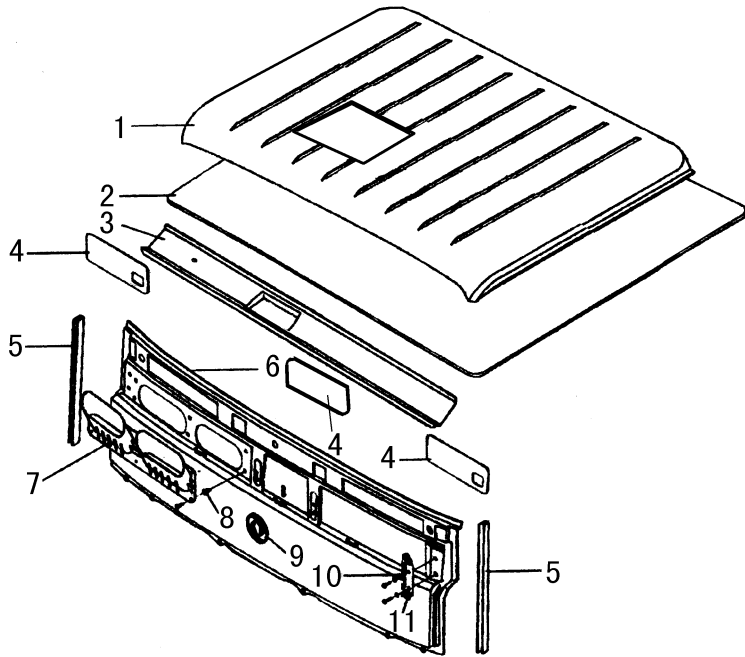






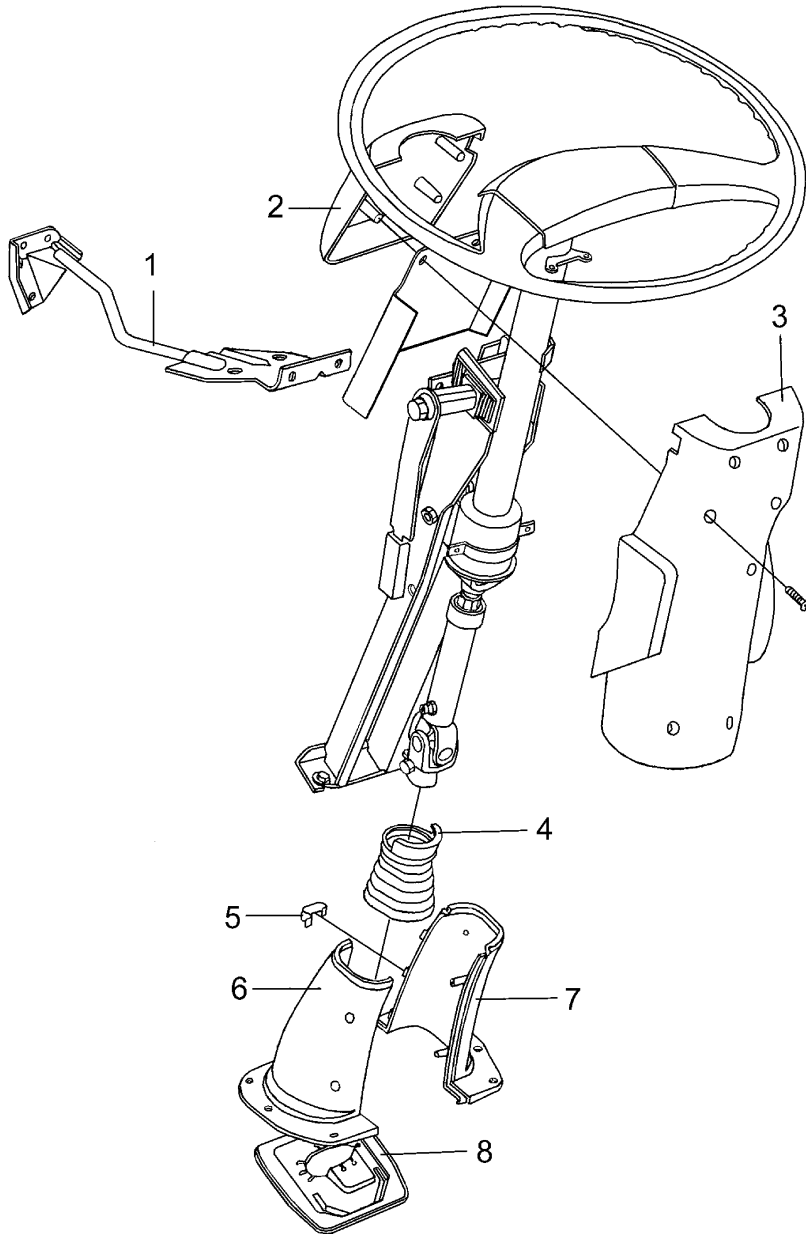




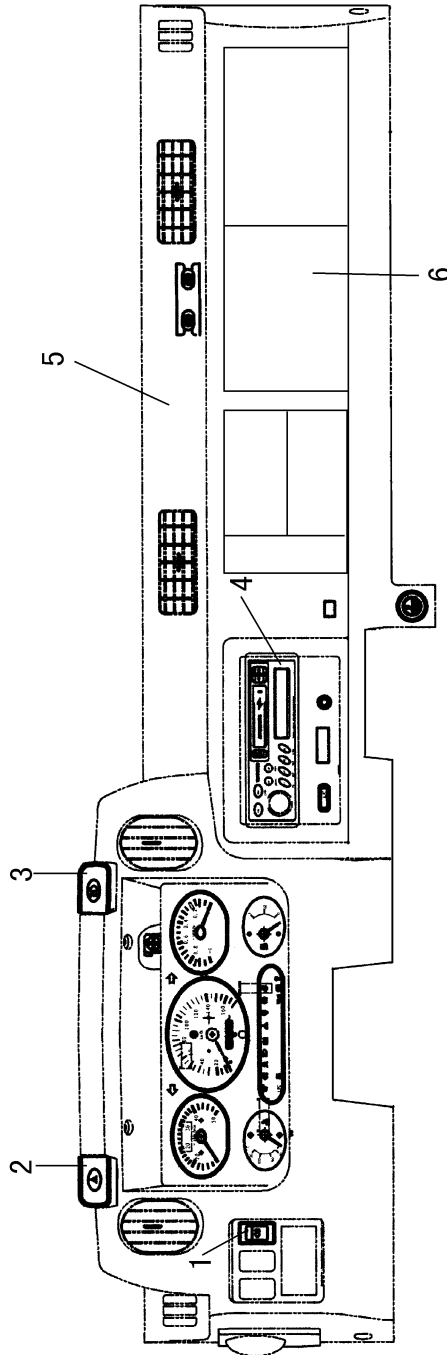


Cab Front Panel, Roof			Fig • CA5302
No.	Part No.	Part Name & Description	Qty.
1	57V66-01010	Roof assy	1
2	57V66A-02010-A	Roof inner trim assy	1
3	53V66-01050	Front cross member assy--roof	1
4	53V66-01163	Front panel fusible heat insulation--side	2
	53V66-01164	Front panel fusible heat insulation--middle	1
5	53QA-01127	Sealing strip	2
6	53V66-00010	Front panel welding assy	1
7	53QA-01150	Front panel air inlet cover assy	1
8	51QA-02059	Plastic nut assy	6
	Q2706316	Tapping screw	6
9	53QB10H-01085	Emblem assy	1
10	53QA-01076	Rear view mirror bracket shaft sleeve	1
11	53QF16-01073	Rear view mirror left bracket	1
	53QF16-01074	Rear view mirror right bracket	1
	Q1400616	Bolt	2
	Q1480116	Hex bolt and conical snap ring set	2
	Q2706316	Tapping screw	6

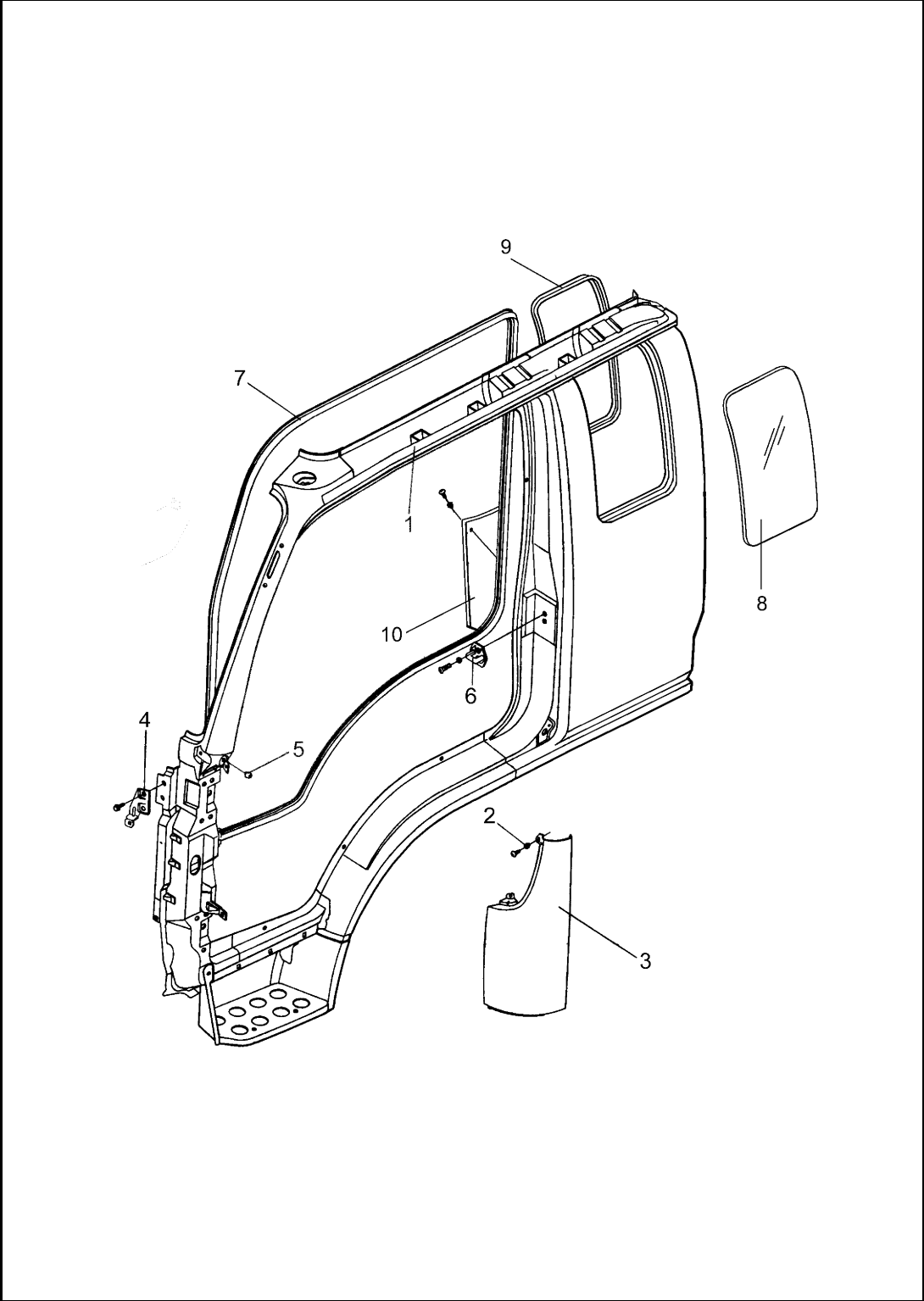




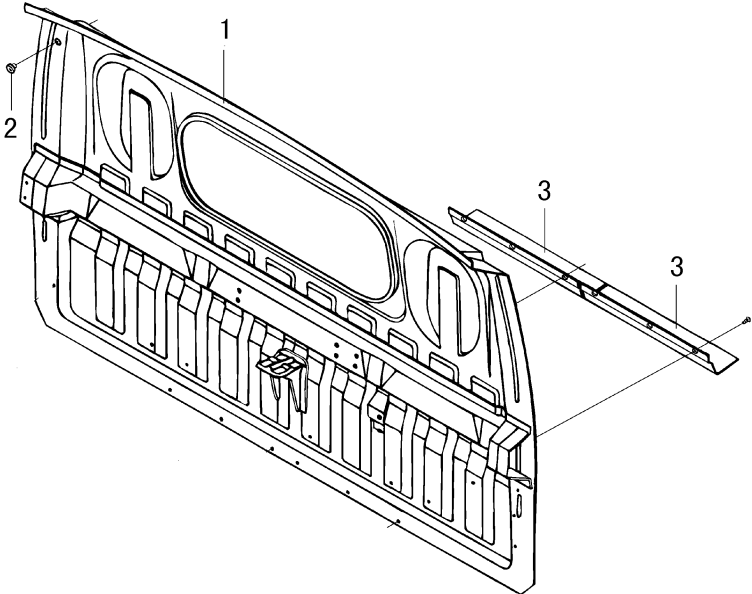






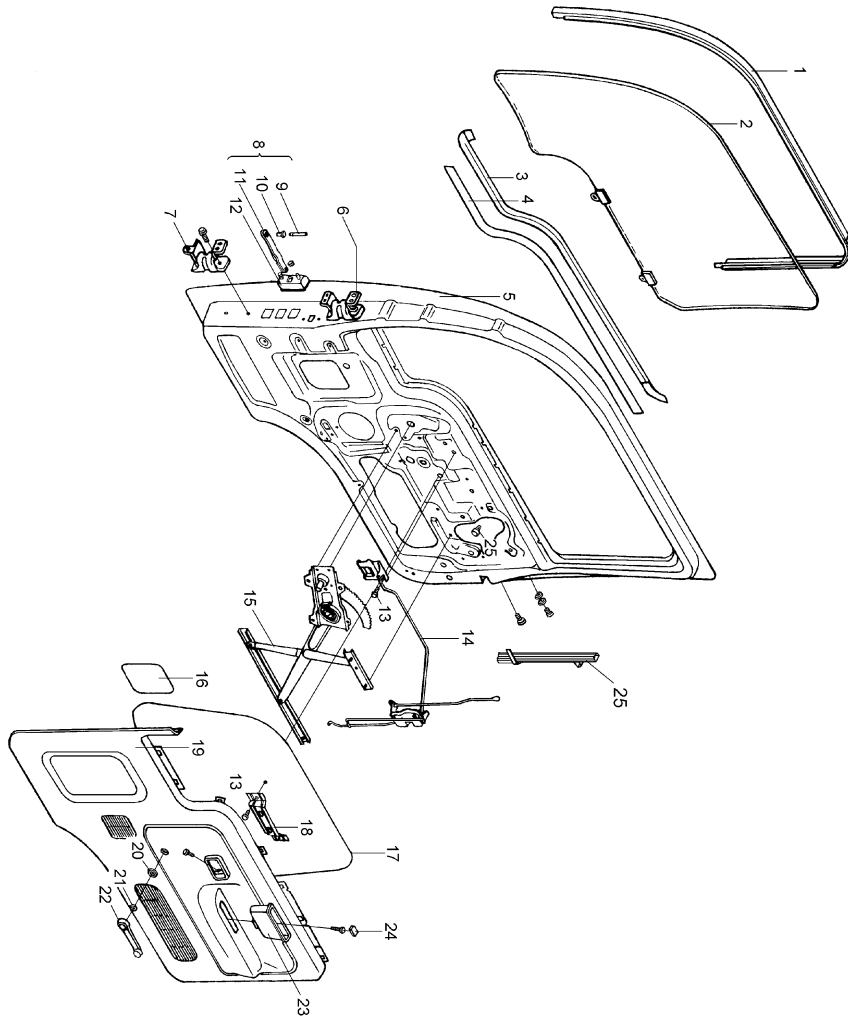


Cab side wall			Fig • CA5401
No.	Part No.	Part Name & Description	Qty.
1	54V66A-01009	Left side panel welding assy	1
	54V66A-01010	Right side panel welding assy	1
2	51QA-02059	Plastic nut assy	10
	Q2706316	Tapping screw	10
3	54QA-02011	Outer cover plate assy, left side panel	1
	54QA-02012	Outer cover plate assy, right side panel	1
4	54QA-02017	Front bracket, left outer cover plate	1
	54QA-02018	Front bracket, right outer cover plate	1
5	54QA-02031	Buffer rubber screw	1
6	6105QA-025	Door lock dowl pin assy	1
7	61V66A-07009	Weather strip assy, left door	1
	61V66A-07010	Weather strip assy, right door	1
8	54V49-02061	Left side window pane	1
	54V49-02062	Left side window pane	1
9	54V49-02070	Side window weather strip	2
10	54V66A-01091	Inner panel--left rear side panel	1
	54V66A-01092	Inner panel--right rear side panel	1



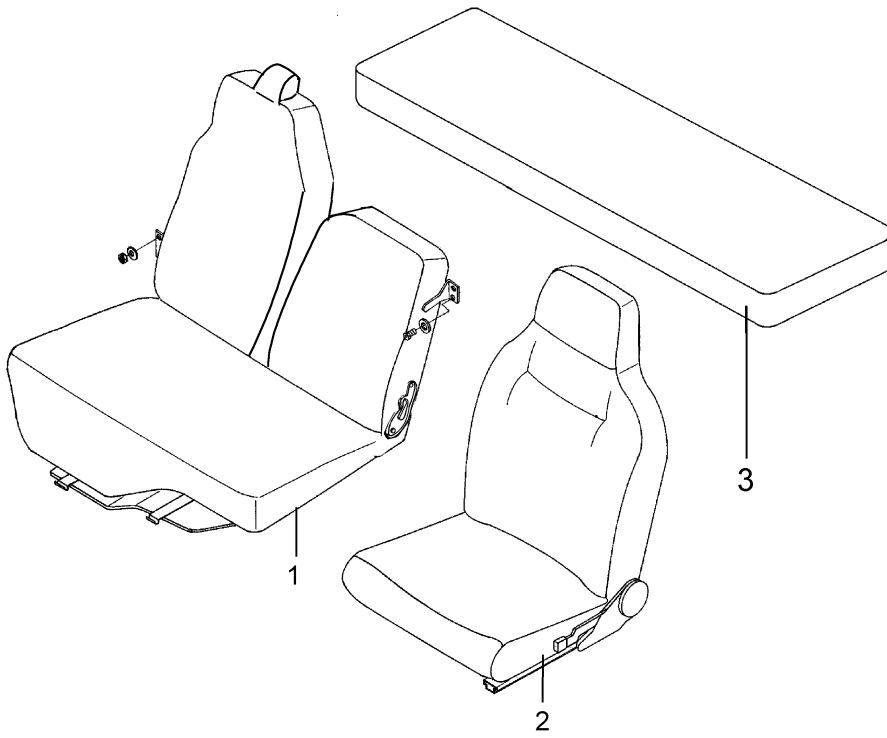




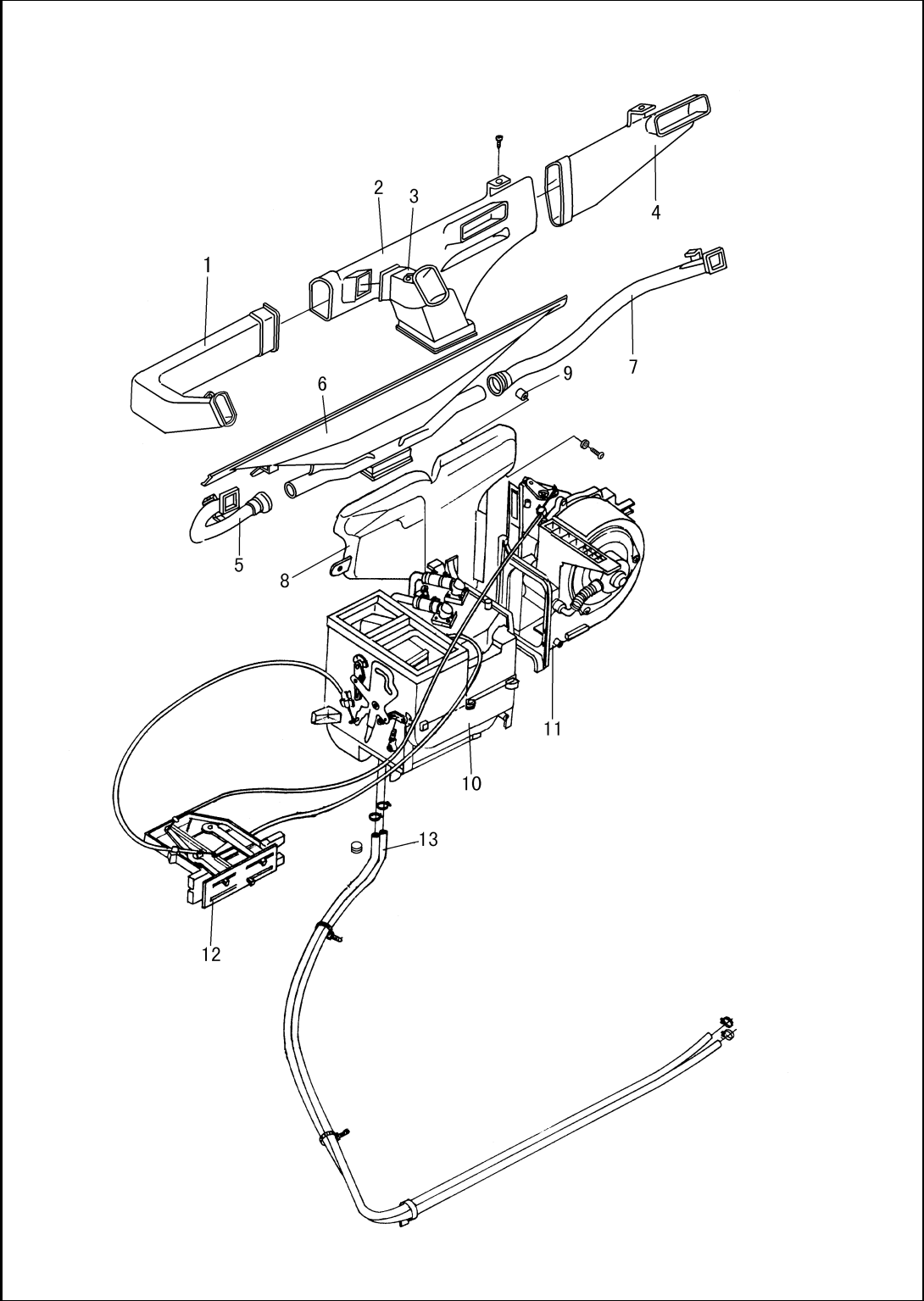


Door			Fig • CA6101
No.	Part No.	Part Name & Description	Qty.
1	61QA-03009-B	Upper weather strip, left door	1
	61QA-03010-B	Upper weather strip, right door	1
2	61DE12-03061	Left door windshield	1
	61DE12-03062	Right door windshield	1
3	61QA-03019	Window outside weather strip assy--left	1
	61QA-03020	Window outside weather strip assy--right	1
4	61QA-03029	Window inside weather strip assy--left	1
	61QA-03030	Window inside weather strip assy--right	1
5	61QA-00119	Left door assy	1
	61QA-00120	Right door assy	1
6	61QA-06010	Door upper hinge assy	2
7	61QA-06019	Left door lower hinge assy	1
	61QA-06020	Right door lower hinge assy	1
	Q1480820	Hex bolt and conical spring washer set	14
8	61QA-06049	Left door retainer assy	1
	61QA-06050	Right door retainer assy	1
9	61QA-06067	Retainer axis pin	2
10	61QA-06066	Retainer bush	2
11	61QA-06065	Retainer lever assy	2
	Q1840616	Bolt	4
12	61QA-06055	Retainer body assy	2
13	61QA-02033	Tapping set screw	8
	Q2560510-Z5	Screw	2
14	61V66-05009	Left door lock and controlling mechanism assy	1
	61V66-05010	Right door lock and controlling mechanism assy	1
	Q2540620	Screw	6
	Q32206	Lock nut	2
	Q41406	Lock washer	6

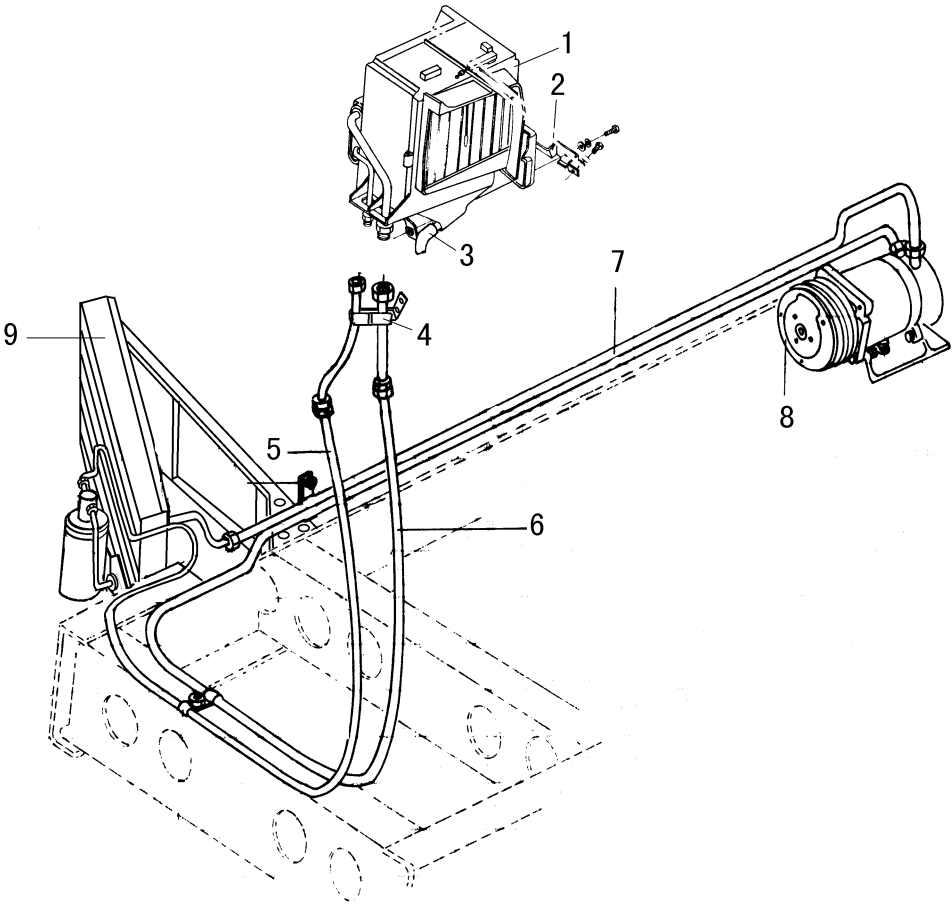
Door		Fig • CA6101	
No.	Part No.	Part Name & Description	Qty.
15	6104QF18-009	Regulator assy, left door windshield	1
	6104QF18-010	Regulator assy, right door windshield	1
	Q32206	Lock nut	4
	Q350B06	Nut	4
	Q40006	Small washer	4
17	61QA-02075	Left door waterproof film assy	1
	61QA-02076	Right door waterproof film assy	1
18	61V66-02032	Door inner pull hand bracket	2
19	61V66A-02049	Left door inner protect board assy	1
	61V66A-02050	Right doorinner protect board assy	1
	Q2710412	Tapping screw	2
20	61V66-04016	Handle jacket	2
21	61QA-04018	Spring clip--handle	2
22	61V66-04015	Door regulator knob assy	2
23	61V66-02061	Door inner pull hand shroud	2
	RQ2200512-Z3	Screw	2
	Q40105	Plain washer	2
24	61V66-02062	Shroud plug cover	2
	61QA-05054	Guide clip	2
25	61QA-02009	Rear guide rail assy, left door windshield	1
	61QA-02010	Rear guide rail assy, right door windshield	1
	Q2140610	Screw	2
	Q340B06	Nut	2
	Q40106	Plain washer	2
	Q40406	Spring washer	2





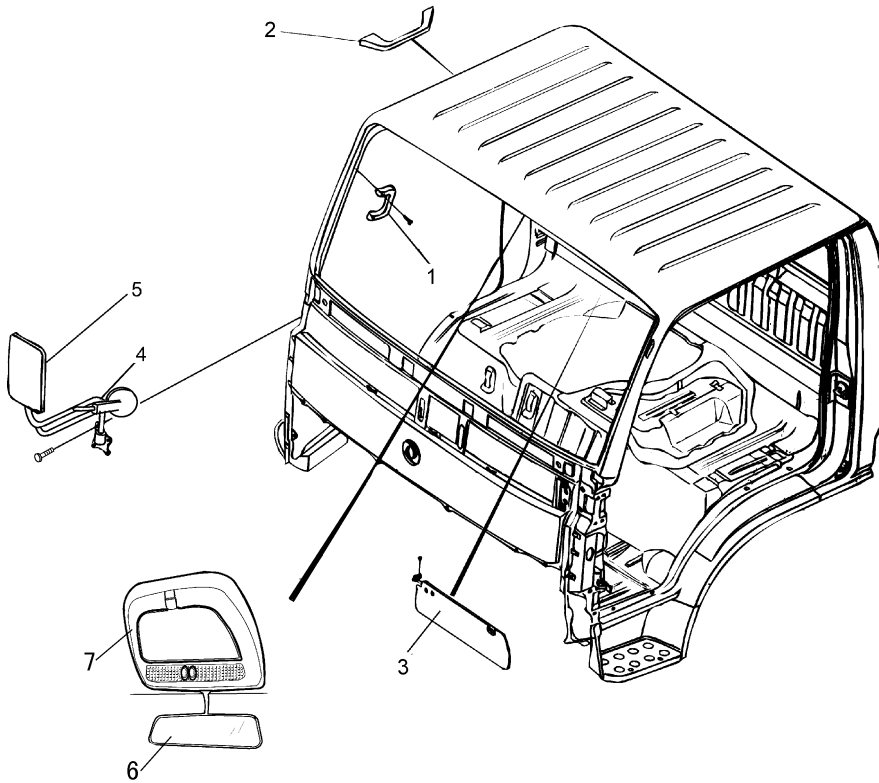


Heater System			Fig • CA8101
No.	Part No.	Part Name & Description	Qty.
1	53V66-02221	Left wind duct	1
2	53V66-02220	Ventilator louver assy	1
3	53V66-02223	Center wind duct	1
4	53V66-02222	Right wind duct assy	1
5	53V66-02017	Defrost pipe assy, left assy	1
6	53V66-02215	Defrost nozzle assy	1
7	53V66-02018	Defrost pipe assy, right door	1
8	81QA-02030	Wind inlet passage assy	1
9	51QA-02059	Plastic nut assy	1
	Q2706316	Tapping screw	1
	RQ1760616	Tapping screw	1
	Q40106	Plain washer	1
	Q2710516	Tapping screw	10
	Q40105	Plain washer	10
10	81QA-01010	Heater assy	1
	Q1760616	Guide bolt	5
	Q40206	Plain washer	6
	Q40306	Spring washer	6
	Q340B06	Nut	1
11	81V66-01020	Blower assy	1
12	81V66-01050	Heater controlling mechanism assy	1
	Q2710516	Tapping screw	4
	Q40105	Plain washer	4
13	81DJ10-01037	Water inlet pipe A--heater	1
	81DJ10-01038	Water inlet pipe B--heater	1

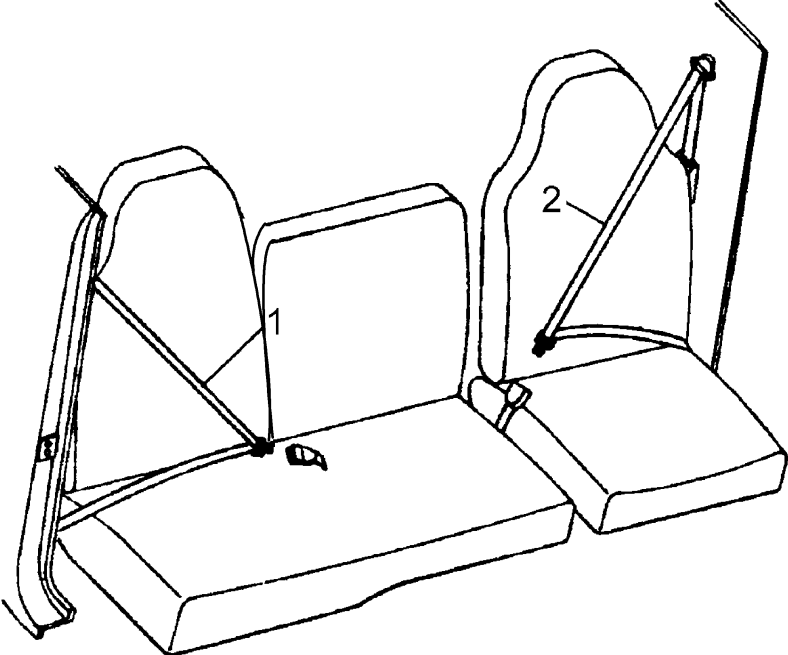




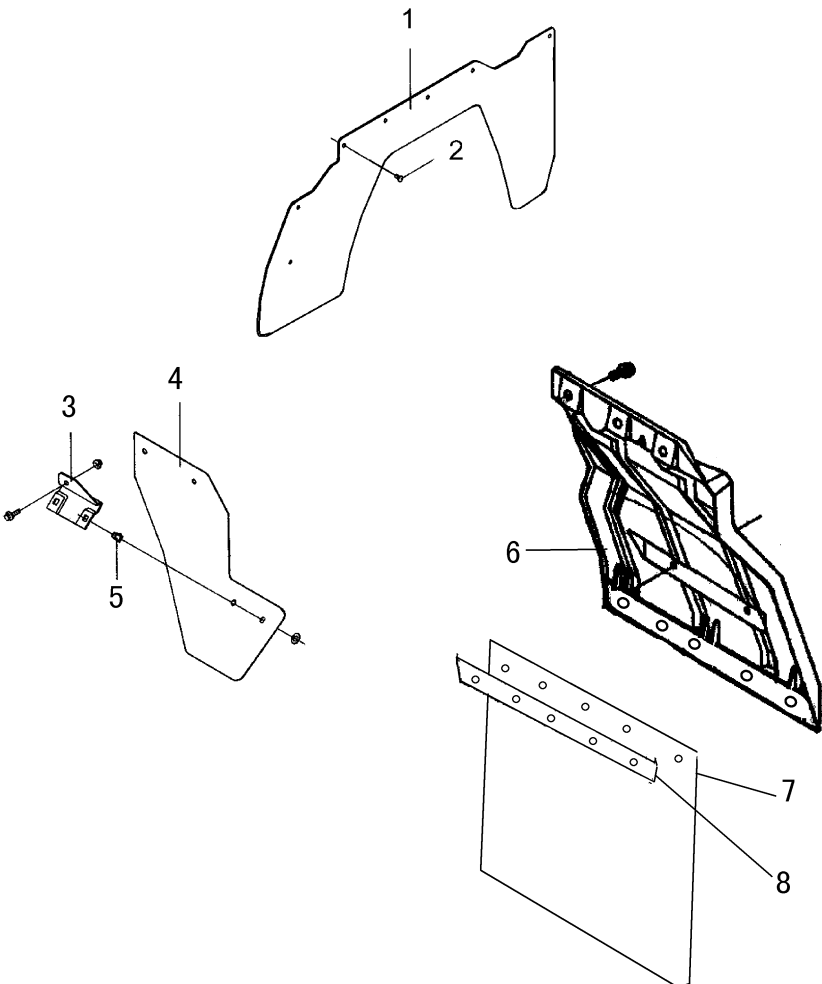
Air-conditioning System			Fig • CA8102
No.	Part No.	Part Name & Description	Qty.
1	81QA-07100	Evaporator assy	1
	Q2710516	Tapping screw	3
	Q40105	Plain washer	3
	RQ1760616	Guide bolt	2
	Q40106	Plain washer	2
	Q40306	Spring washer	2
	81QA-07026	Evaporator lower bracket	1
2	RQ1760816	Guide bolt	2
	Q40108	Plain washer	2
	Q40308	Spring washer	2
	81QA-07018	Evaporator exhaust pipe	1
4	81V65A-08075	Bracket assy--evaporator inlet and outlet pipe	1
	Q150B616	Guide bolt	2
	Q40106	Plain washer	2
	Q40306	Spring washer	2
5	81V65A-08200-A	Pipe assy--connecting evaporator and condensator	1
6	81V65A-08300	Pipe assy--connecting evaporator and compressor	1
7	81V65A-0810A	Pipe assy--connecting compressor and condensator	1
8	81V66-04100	Compressor assy	1
9	81V66-05100	Condensator assy--with drier and bracket	1



Cab Accessories			Fig • CA8201
No.	Part No.	Part Name & Description	Qty.
1	82V66-00010	Armrest--front pillar	2
	RQ2160625	Cross-recessed panhead screw	4
	Q40106-Y	Plain washer	4
	Q40306	Spring washer	4
2	82V66-00020	Armrest--side panel	1
	RQ2160516	Pointed screw	2
	RQ42305	Saucer spring washer	2
3	82V66-04009	Left sun visor assy	1
	82V66-04010	Right sun visor assy	1
	Q2760520-Z5	Tapping screw	2
	82V66-04012	Support seat--sun visor	1
	Q2760616-Z5	Tapping screw	1
4	82V66-02009	Outer rear view mirror barassy, left	1
	82V66-02010	Outer rear view mirror bar assy, right	1
	RQ1760625	Guide bolt	8
	RQ42306	Saucer spring washer	8
5	8202Q68-010	Rear view mirror assy, left	1
	8202Q68-020	Rear view mirror assy, right	1
	8219Q68-010	Down view mirrior assy	1
6	82V66-01010	Inner rear view mirror assy	1
	Q2760520-Z5	Tapping screw	1
	Q2760616	Tapping screw	3
7	57V66-02030	Roof glove box with dome lamp assy	1
	Q2703516	Tapping screw	4







Cab Mudguard			Fig • CA8401
No.	Part No.	Part Name & Description	Qty.
1	84V66-03067	Longitudinal rubber mudguard, left	1
	84V66-03068	Longitudinal rubber mudguard, right	1
2	84QA-03072	Clip--longitudinal rubber mudguard	11
	Q1840616	Flange bolt	2
3	84QA-03121	Front mudguard bracket, left	1
	84QA-03122	Front mudguard bracket, right	1
	Q32006	Flange nut	2
4	84DA01-03111	Front mudguard,	2
5	51QA-02059	Plastic nut assy	8
	Q2710616	Tapping screw	8
	Q40106	Plain washer	8
6	84V66-03175-A	Rear mudguard, left	1
	84V66-03176-A	Rear mudguard, right	1
7	84V66-03177	Rubber mudguard	2
8	84V66-03182	Binding--rubber mudguard	2
	Q174B0520	Hex bolt	5
	Q340B05	I type hex nut	5
	Q40105	Plain washer	5
	Q40305	Spring washer	5

# 14. Tools

---

Fig.TO3901	Tools .....	14-1
Fig.TO3902	Fixed Tool Box.....	14-3





