



CAMC H08 PRODUCTS CATALOGUE



ADD: Maanshan Economic and Technological
Development Zone, Anhui

TEL: 86-555-8323597

FAX: 86-555-8323389

SERVICE HOTLINE: 800-868-8822

<http://www.camc.cc>

E-mail: fr@camc.biz



Preface

CAMC H08 series of heavy-duty truck are new generation of CAMC heavy duty trucks developed by Anhui Hualing Automobile Co., Ltd. By applying the world advanced heavy duty truck key technology, our company has spent 3 years in developing new brand of H08 series and aims to introduce H08 series to the markets in North America and Europe.

CAMC H08 series adopt a model of Joint R & D; many international and domestic top companies and research institutes are involved in.

Model Design: STILE BERTONE S.p.A. Italy

CAE Simulation Analysis and Optimization Design: State Key Laboratory of Advanced Design and Manufacturing for Vehicle Body (Hunan University)

Automotive Interior and Assembly R & D: Rieter Automotive Fimit S.P.A, Italy

1-01

Cabin and Parts Assembly Introduction

Company advantages	1
Company advantages	3
CAMC H08 Models Introduction	3
Cab aerodynamic introduction	5
Cab structure and material introduction	7
Advanced body design	9
Electrical appliance on vehicle	11
Other parts	13
CAMC special axle	14
CAMC special suspension	15
CAMC special engine	17
Clutch and Transmission	19
Steering System	20
Braking System	21
Other parts	22

1-02

H08 Models Introduction

CAMC H08 Cargo Truck and Tractor Introduction	23
CAMC H08 Dumper and Mixer Introduction	25
CAMC H08 Bulk Cement Truck and Bulk Powder Goods Tanker Introduction	27
CAMC H08 Pumper and Oil Tanker Introduction	29
CAMC H08 Special Purpose Vehicle	31
CAMC H08 New Model	33
CAMC H08 Model Technical Parameters	36

Company advantages

Glorious Achievement

Anhui Hualing Automobile Co., Ltd. is a state high-and-new-tech enterprise with strong technological strengths. It has developed heavy-duty trucks with internationally advanced level. The whole truck is the intellectual property right of the company and has gained quite a number of technological patents. With high quality and stable performance, it has gained the ISO9001 International Authentication and 3C Criteria Authentication. The exhaust level of the truck has met the standards of EU III and EU IV. All these contribute to its popularity both at home and abroad. The company became one of the 60 enterprises that were awarded as “China made, the most promising enterprises which self developed brand in China’s manufacturing industry” by relevant state authorities in Nov., 2005.

Internationalized Cooperation

Through new technical import and digestion of Japan Mitsubishi Fuso Automobiles, CAMC will build world-class heavy-duty truck brand in China with strengthening the cooperation with international famous enterprises actively, such as, American Cummins, Caterpillar and ZF.

Going Global

CAMC has made great efforts in studying overseas heavy-duty truck markets, designing and producing products oriented towards overseas customers. These efforts result in stable and reliable high-tech trucks which offer customers both safety and comfort. CAMC provides overseas users with perfect after-sale service, thus its products are very popular among overseas customers and have been sold to over 20 countries and regions including North Africa, Middle East, Middle Asia, East Europe and South-East Asia.

Product Advantage

Cabin: European design, smart and comfortable, full-steel structure, High Security, low DC drag coefficient;

Power system: world advanced power matched technology, powerful drive, energy saved and low noise, environmental protection and high efficiency;

Suspension system: perfect combination of each mechanism, high bearing and damping capacity which can reduce tyre wear and fuel consumption and decrease operational costs;

Transmission system: high transmission efficiency, big torque and strong climbing capacity;

Axle system: double reduction axle, high bearing capacity and transmission efficiency;

Steering system: imported with original packaging, easy to operate, safe and reliable;

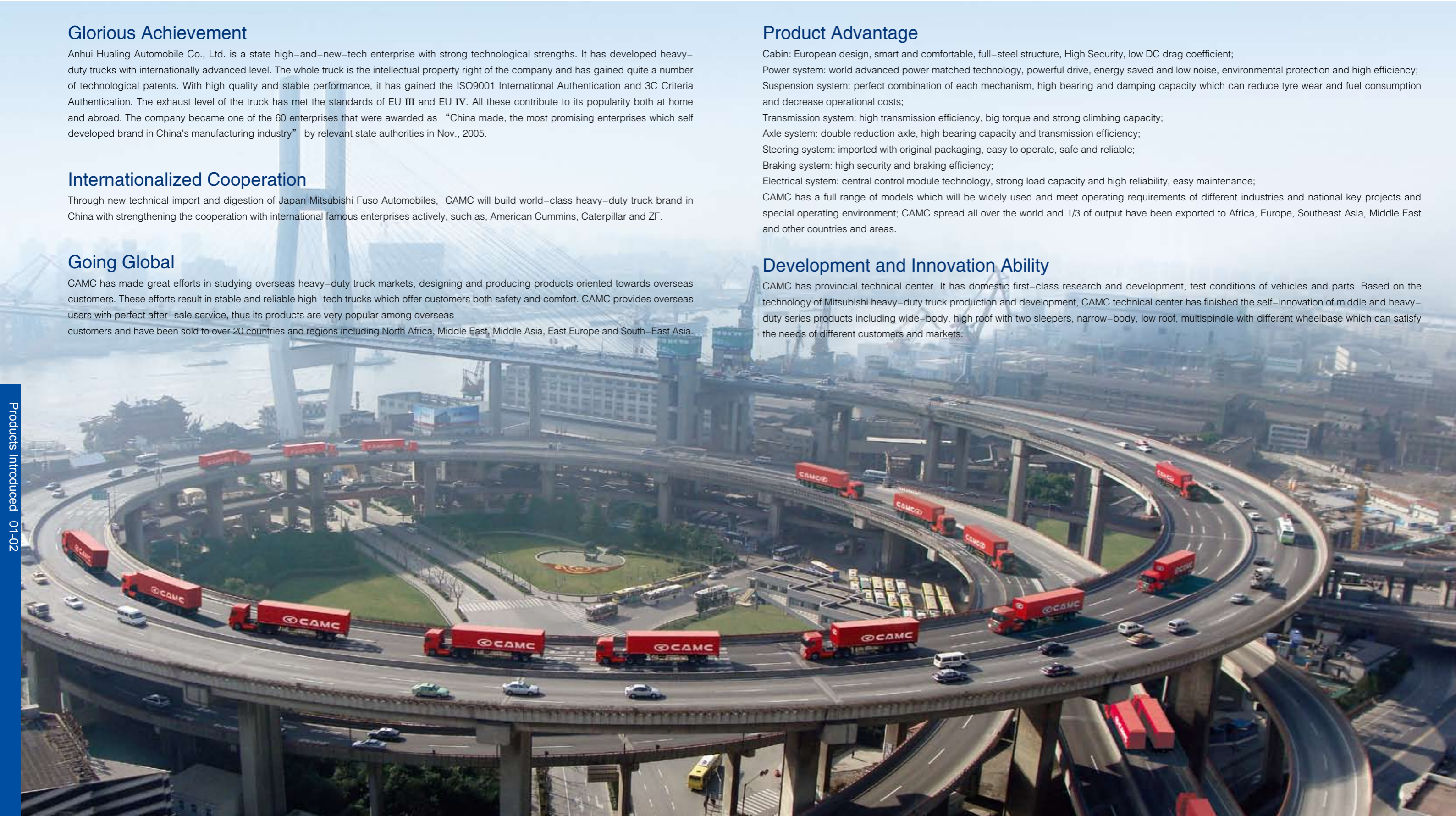
Braking system: high security and braking efficiency;

Electrical system: central control module technology, strong load capacity and high reliability, easy maintenance;

CAMC has a full range of models which will be widely used and meet operating requirements of different industries and national key projects and special operating environment; CAMC spread all over the world and 1/3 of output have been exported to Africa, Europe, Southeast Asia, Middle East and other countries and areas.

Development and Innovation Ability

CAMC has provincial technical center. It has domestic first-class research and development, test conditions of vehicles and parts. Based on the technology of Mitsubishi heavy-duty truck production and development, CAMC technical center has finished the self-innovation of middle and heavy-duty series products including wide-body, high roof with two sleepers, narrow-body, low roof, multispindle with different wheelbase which can satisfy the needs of different customers and markets.



Company advantages

Parts Advantage

CAMC key parts: cabin, axles, frame, suspension system have been keeping in heavy technology leading level. They have proprietary intellectual property rights.

Supporting System

By the digestion and absorption of Mitsubishi technology, plus continuous innovation, under the direct participation and approval of experts, through the hard process of localization, parts matching system has a certain scale. In 2004, CAMC, as a dark horse, stand out. Relying on the advanced technology, reliable quality and perfect configuration, elegant appearance, it defines the new standards for China heavy-duty truck and lays a solid foundation for creating world heavy-duty truck brand.

1.preparing workshop

Large fully computerized plasma cutting machine and fully automatic shear machines.

2.punching workshop

There is the largest automation punching machine of 5000 tons in domestic assuring a perfect molding frame.

3.wielding workshop

There is the largest welding workshop with fully automatic robots assuring welding quality

4.painting workshop

Fully closed, dustless workshop,fully automatic triple painting protection system, antiseptic property of vehicles is in a leading position in China.

5.painting workshop

It has advanced processing facilities consisting of pre-assembly and general assembly. There are two pipelining with the production capacity of 30000 vehicles per year.

6.inspection workshop

There is advanced inspection equipment with AUDIT inspection standard which gives 100% detection for finished vehicles assuring good performance of vehicle.

Good manufacturing capacity and quality assurance ability

CAMC has large domestic first-class production line of preparing, punching, welding, painting general assembly and inspection.



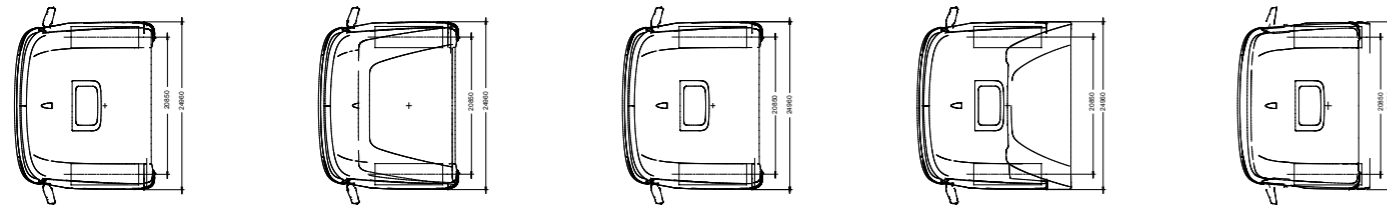
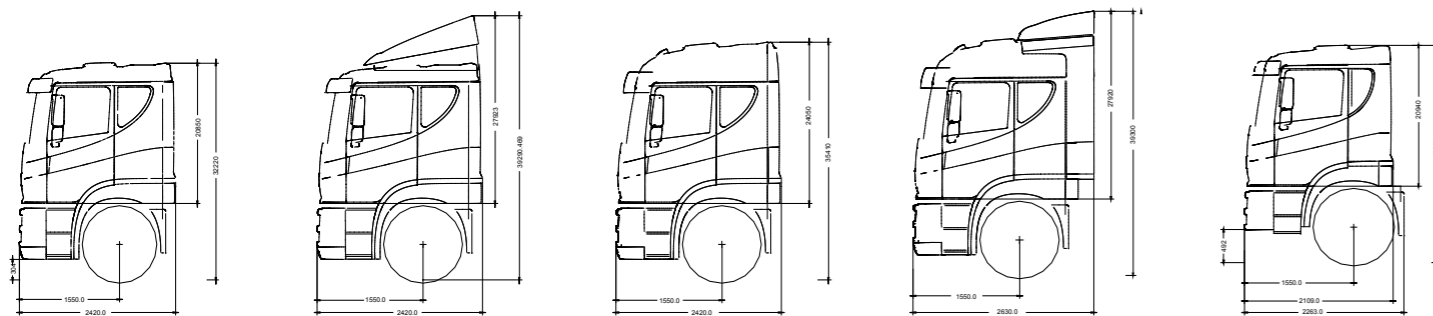
CAMC

Heavy-duty Truck, international level
Definition of new criteria for heavy-duty truck



CAMC H08 Models Introduction

Engineering truck and tractor models



Flat roof

Flat roof with dome

High roof

High roof with dome

Single row

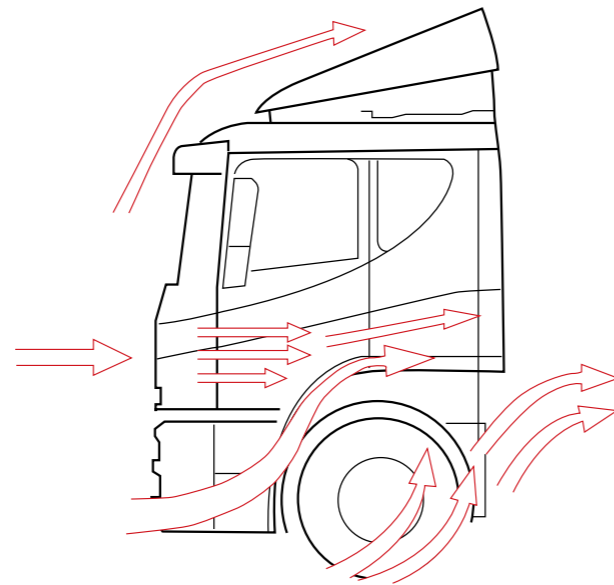
All have right-hand drive vehicle models

Cab aerodynamic introduction



Air Dynamics

Streamline model design, reducing the wind resistance and the fuel consumption of the vehicle, saving the cost, our cab adopting European style, according with the principle of air dynamics, modulus of the wind resistance is 0.67 which is lower than domestic cab of the same type, saving the fuel obviously.



European advanced style inner decorations upgrade entirely

- Cab air spring suspension system, the safety air chamber for drivers
- Telescopic steering pipe column, air chamber floating seat
- Pre-closing safety belt, luxurious sleeper
- Clearstory, automatic air condition
- GPS guiding system, driving record instrument
- Automatic shifting device etc, safety and comfort are the same as limousine

Cab structure and material introduction



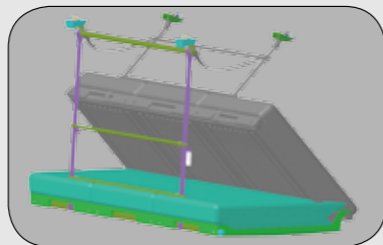
Sleeper

The upper sleeper of high roof cabin adopts the overturn structure in order to add the lower sleeper room. The sleeper system which is with high quality fabric and comfortable brings the feeling of reliability to people. The two sides of sleeper have the sleeper light and cap catch. There are some human facilities like defended net and shade in front of sleeper and this brings the drivers and passengers the feeling of warmth and comfort just like at home.



Steering wheel

The material of the steering wheel is dainty. The model is novel and handle is comfortable. The steering wheel can be adjusted from front to back and up to down. It is suitable for different people to drive.



Seats

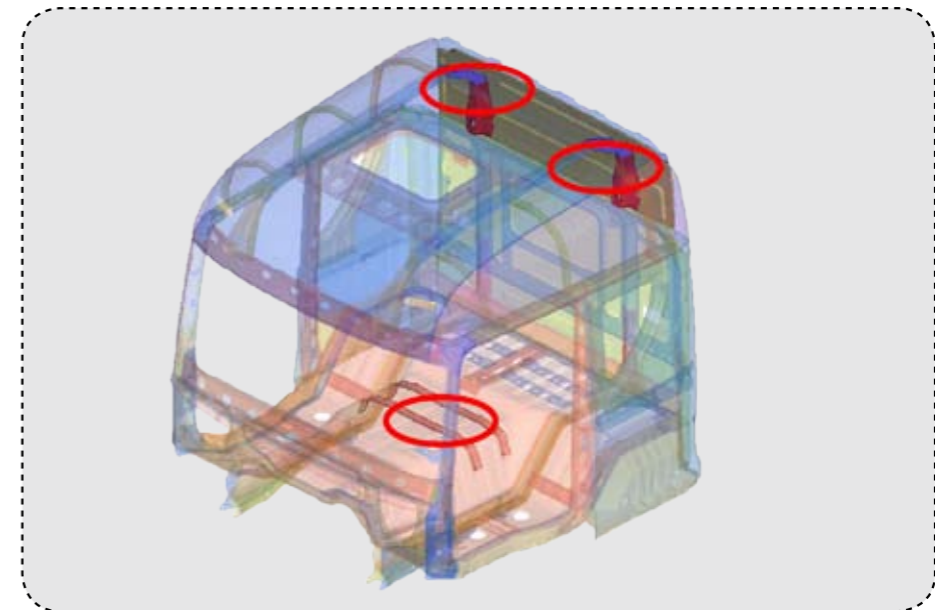
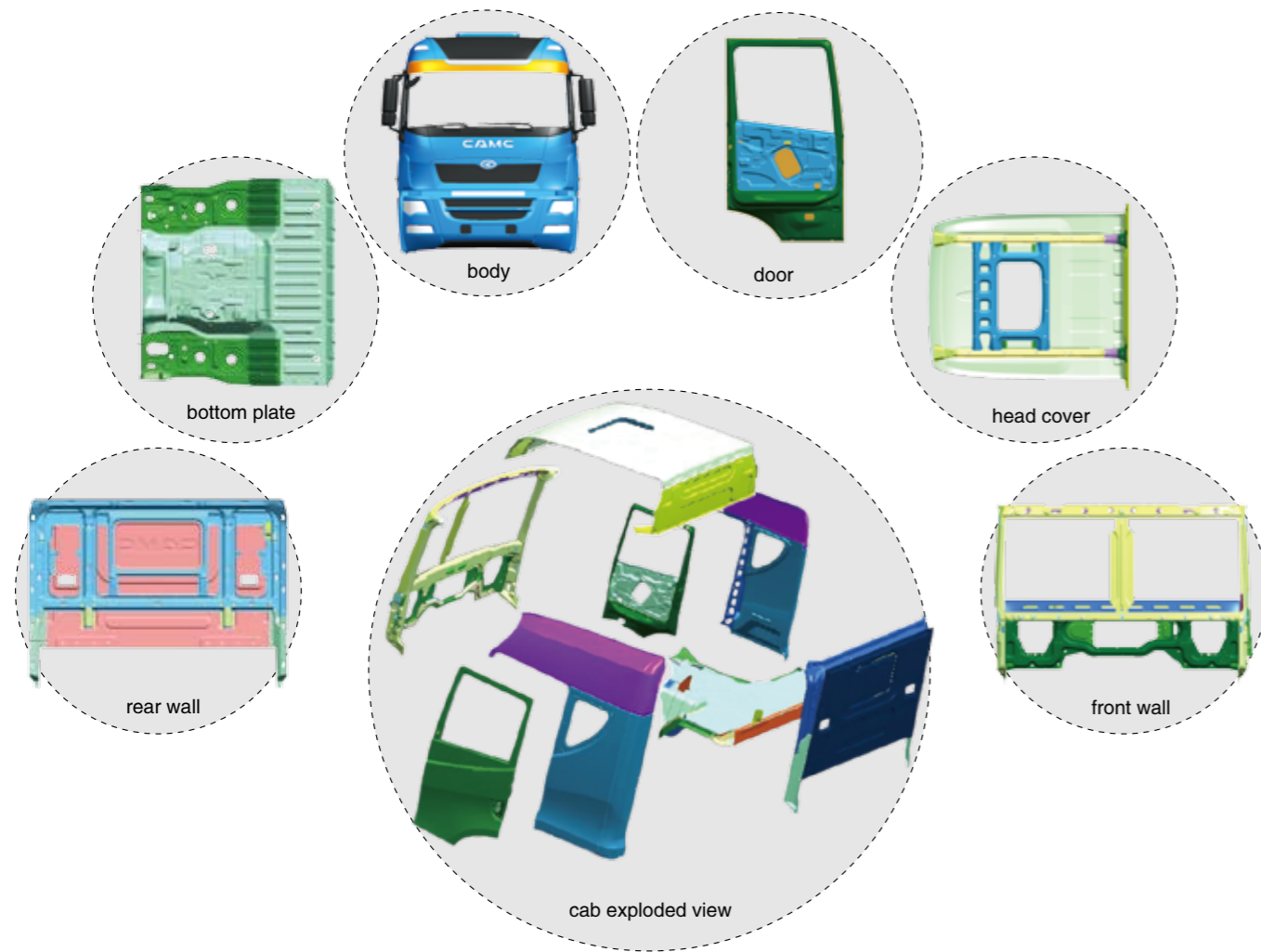
There are top grade and low-end seats for choosing; seat can be adjusted front and back; the position of cushion and obliquity can be changed. There is air cell in the backrest and it can ease the driver's tiredness markedly; the angle of armrest can be changed until take back according to the demand of driver; safety belt and seat are set into whole and this has increased the safety factor and guarantees the drivers' safety.

Mechanized seat: it adopts oil pressure and mechanism spring to absorb shock and the height of seat can be adjusted according to the drivers' demand.

Air suspend seat: it adopts oil pressure shock absorber system and balanceable point can be adjusted automatically according to the body weight and the movement is flexible and comfortable.



Advanced body design

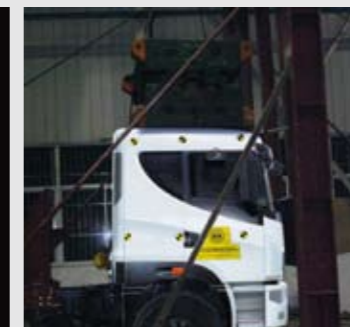


Cab inner space

It adopts European popular cage skeleton and high strength steel skinning structure. As for body strength, stiffness and crashworthiness, it is considerably better than the traditional structure of domestic and Japanese heavy-duty trucks. There is more spacious space and more comfortable in cab.



Collision experiment of the cab



Roof pressing experiment of the cab

Genuine CAD&CAE optimize design

1. Three-dimensional and digitized design (all spare parts have Three-dimensional mathematic model)
2. Finite element simulation analysis and optimize design.(intensity analysis, stiffness analysis, mode analysis, front collision simulation experiment, side collision simulation experiment, rear collision simulation experiment, press experiment of the cab roof, optimizing and improving design)

Electrical appliance on vehicle

Some models of CAMC H08 style use can-bus general assembly line technology. All driving data will be sent to the "general assembly line" through the sensors which locate all over in the vehicle body. Then CAN system control module to control the carried-out work of all electric devices.

The application of the CAN-BUS general assembly line" can reduce a large number of the wiring harness of the vehicle and reduce the interfaces between wire harness and controller so it prevents from the interference and abrasion for too many wire harness. It can reduce the rate of failure of the vehicle electrical system: it also can have the immediate communication with the ABS system and ECU of the engine, so it improves the electric capability of the vehicle. With the help of the CAN-BUS technology, the anti-steal capability and safety have a great improvement.

CAN general assembly line system of CAMC consists of general assembly line instrument, cab control module, emergency system module, chassis control module, taillight control module, remote control key and the antenna of the remote controller. it can realize the following human design function:

- Auto-looking for function: through the antenna and the remote controller, vehicle can be discovered within 1000 meters in a short time after parking.(the loudspeaker rings , the left and right turning light flicker, the side door lock opens);

- Auto-lock Function: Through antenna and remote controller, auto-lock and auto-rising of glass can be achieved within 1000 meters after parking.

- The headlight function: within 30 seconds, the front dipped headlight will last lighting for 30 seconds and it can supply illumination for the passengers.

- Auto-diagnose system: if the CAN general assembly line system inspects that there are some electric pieces abnormal or some circuitries have the circumstances of short circuitry and open circuitry, the huge LCD screen of the instrument will show the failure in the form of letter.

Special safety design just for CAMC: If the CAN system fails in the unforeseen circumstances, the related lash-up Control Module will provide the basic operating condition of vehicle, which guarantees the lowest safe condition of both driver and vehicle.



7 inch multimedia display system

Multimedia display system locates in the focusing English voice presentation navigation which is in the centre of the centre controlling platform. The multimedia navigation system which includes DVD, mp3, mp4, hands-free phone and reversing radar makes the customers enjoy the fun of the driving fully.

Working condition: -40°C — 75°C

Combination instrument is a kind of adopting integrated line board, single-chip computer programmable control, liquid crystal display screen showing mileage, time and the information of truck body and engine, alarm indicator of entire vehicle and the background adopting LED illumination, and equipped with new type instrument fitted sound alarm system.

The instrument also adopts CAN (Control Area Network) communication technology to make engine tachometer, speedometer, water temperature indicator, air pressure gauge, fuel gauge and some alarm indicator work to show the real time information of operating state and fault of engine and vehicle body control system. The instrument offers user an intuitionistic terrace to learn about entire truck state and troubleshoot problem.

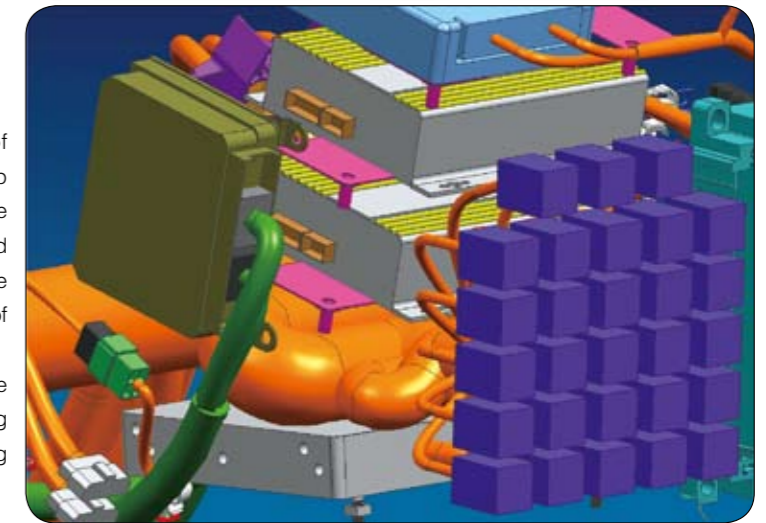
Working condition: -40°C----- 75°C



Control module combination meter

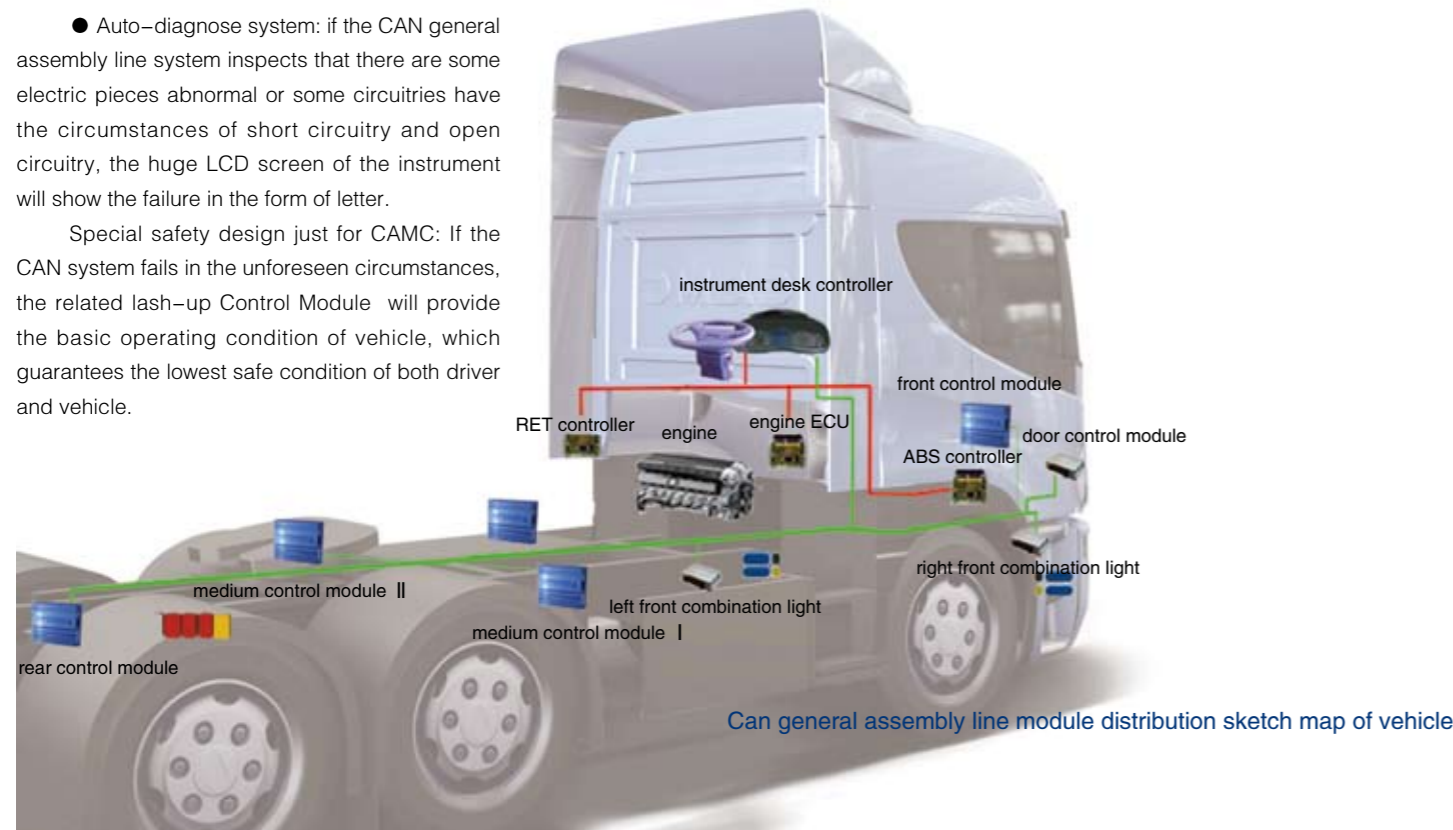


Independent MP3 audio system



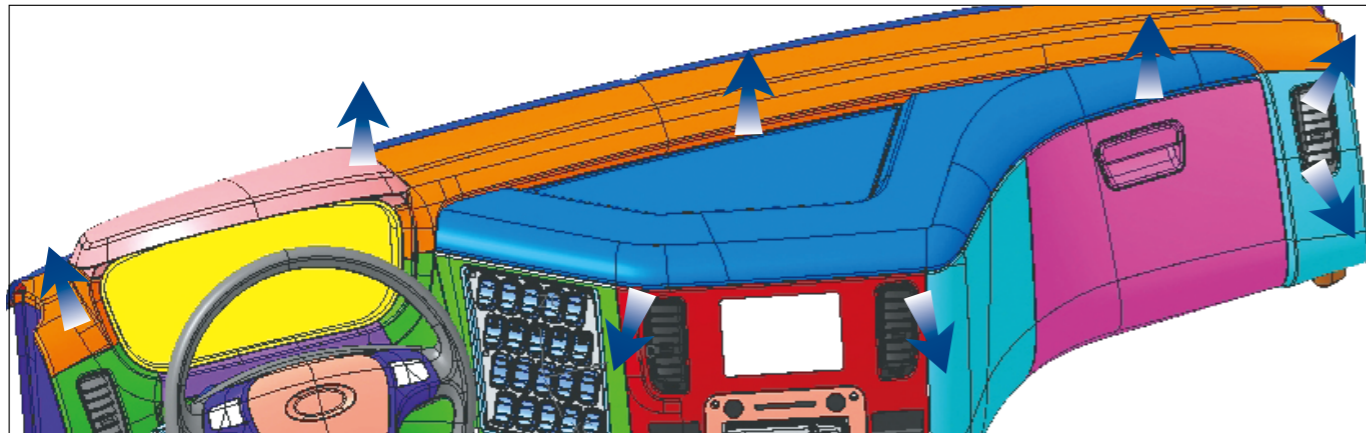
Electric and automatic A/C system

1. CAMC truck equipped with the functions of ABS (anti-brake system) and ASR (anti-slip regulation), which increase the control to vehicle and reduce the appearance of floated slip, and which curtail braking length effectively, decrease tire wear and improve the safety and stability of entire truck..
2. CAMC truck has functions of glass remote control ,realizing the remote control unlocking and locking within 100 meters, glazing lifting and falling and make vehicle owner where it is



Main driving safety air chamber	Optional	Optional	Electromotion air conditioner controlling system	Optional	Optional	Programmable display shade	Optional	Optional
ASR,ABS braking	Optional	Optional	Idle stability cruise control nation 3	●	●	Digital combination meter	●	●
Running grapher	Optional	Optional	Qalvanothermy defrost electrically controller outside rearview mirror	Optional	Optional	"Follow me home" function	Optional	Optional
Starter automatical protection	●	●	Electrically controller headlight height adjustment	●	●	Door and window can be closed and opened by the remote control in long-distance	Optional	Optional
Function of humanism reminging safety belt untied	●	●	Brightness adjustable display instrument	●	●	CAN system	Optional	Optional
HID headlamp	Optional	Optional	Centre control mirror,electrically controller glass rising and fall	●	●	Inside and outside temperature display	●	●
GPS navigation system	Optional	Optional	Multi-functional remote control key	●	Optional	12V spare electrical sourec interface	Optional	Optional
Double steering illumination function	●	●	Automatical air conditional control system	Optional	Optional	Radio system	●	●

“●” Standard specification “—” Without



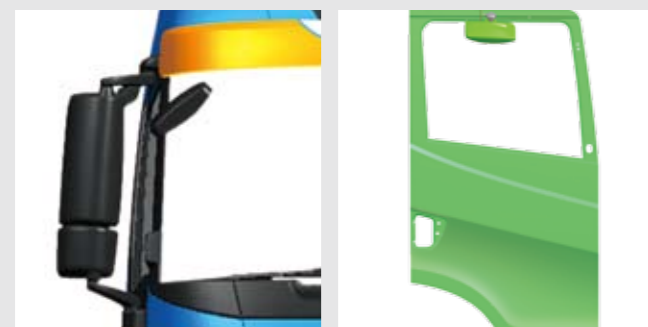
Air Condition System

Air Condition System applies the up and down all-in-one pop European style, and its refrigerating output can reach to 4500 kilogramme calorie which is able to meet the needs of demanding users and to satisfy requirements of normal operations under harsh working environment.



Sun Shield

PMMA luxury sun shield is well integrated with the cabin and its LED light box is convenient to make advertisements for truck users.



Combination Viewing Mirror

Combination Viewing Mirror is very clear and realistic, which can provide users with all-round non-blind area.

Single-reduction axle

CAMC CND1/E1series single-reduction driving axle is the punching and welding axle case. The reduction final drive transfers the torque by a pair of master bevel gear. It has the cheap structure, high effective transmission, small volume, light weight advantages. It has the differential and lock device. The driving power is strong. The axle has a high loading capacity. Its braking capability is perfect, and can be equipped the ABS system.

- the rating axis loading: 13000Kg;
- the largest output torque: 40000Nm;
- the brake structure model/specification: $\phi 400 \times 200$;
- final differential ratio: 6.333, 5.833, 5.286, 4.875, 4.44.;
- the lubricate system adopts the pump absorb splash lubricating, the lubricant is 85w/90(80w/90) weighty loading hyperbola gear oil



Dual-reduction axle

The advanced heavy-duty hub redactor driving axle is designed and developed in order to adapt to the big tonnage heavy-duty truck. It satisfies the demand of the middle and top grade heavy-duty trucks. Its advantages are high loading capacity, high anti-tiredness intension, and good braking capability. The intermediate and rear axle have equipped the new model differential lock and also can be equipped the ABS system. The small volume of the main reduction makes the clearance from the bottom of the main reduction to the ground high so the passing capability of vehicle is good.

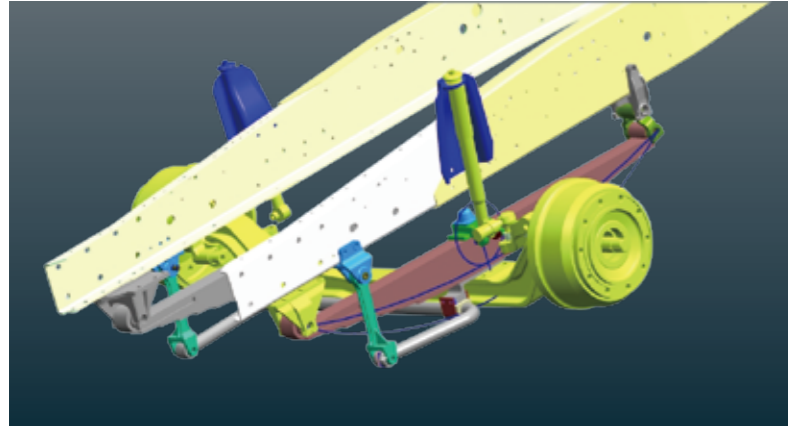
- rating axis loading: 13000Kg/16000Kg
- biggest input speed: 3500 rpm/min
- biggest input torque: 55000Nm
- ratio: 5.26 5.92 6.73
- brake form and dimension: cam air pressure brake 410X140
- braking torque: 29810Nm
- axle weight: (without lubricant and tire) near 860kg
- The inject quantity of lubricant: rear axle final reduction 12 liter intermediate axle final reduction 4 liter, each hub 3.5 liter
- specification of lubricant: gear oil SAE90 or domestic burthen 90# gear oil (GL-5) 80W/90 gear oil

CAMC CN series reduction driving axle has foundry and enlarge-pipe two kind structure case and can apply for different special vehicle model. The structure of the leaf spring location is disassembly door-type and ensures the location of the steel leaf spring is reliable; the gear lubricating form is pump absorb splash lubricating.



Ratio gear series

Tooth number of the driving conic gear Z1	21	18	17	Inner liner number ZO	56	56	56
Tooth number of the driven conic gear Z2	28	27	29	$I=(1+ZO/Z) \cdot Z2/Z1$	5.26	5.92	6.73
Sun gear number Z	19	19	19				



Front suspension

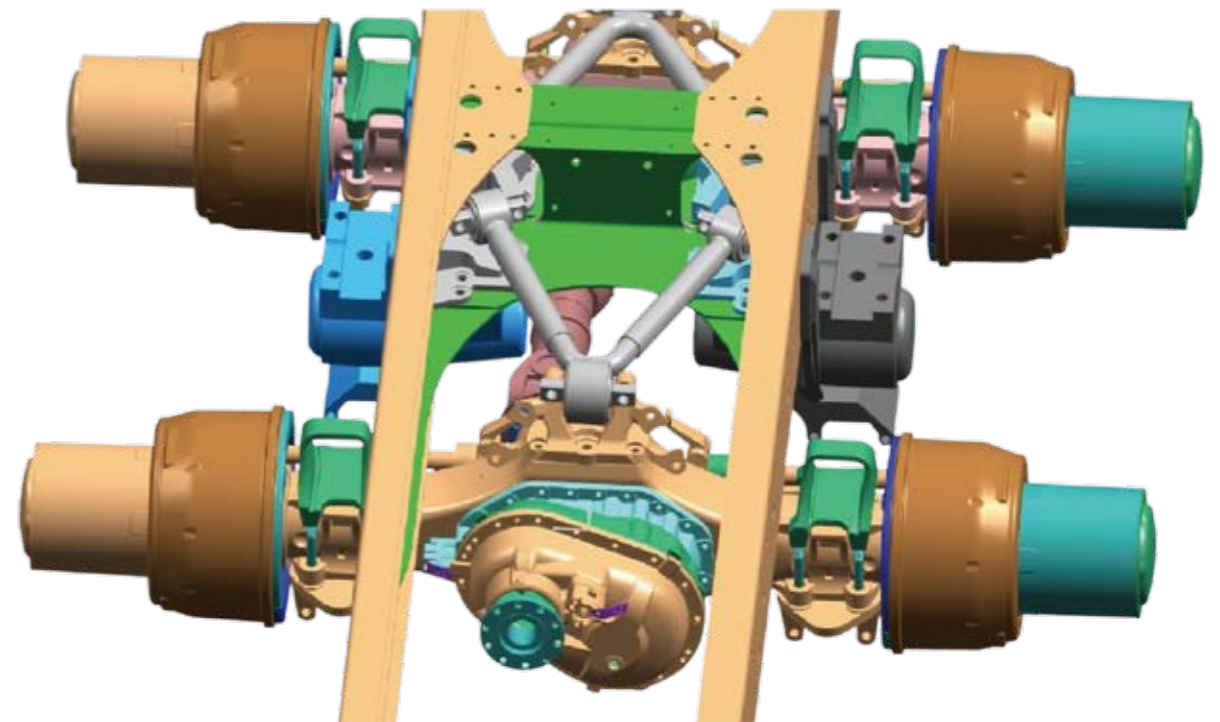
The disposal type of the front suspension is half ellipse alloy steel flake with hydraulic bidirectional Telescopic canister-type shock absorber and vertical disposal of the leaf spring. Lengthening function fulcrum distance is 1800mm. through which Intension, length, width, thickness, arc height, number of the steel plate spring and the cylinder diameter and the journey of the shock absorber are confirmed. Combined with the shock absorber of the vehicle body, it makes the high-point of the vibration acceleration of our vehicle body is not more than 0.3~0.4g. It reduces the vibration frequency of our vehicle body greatly. Choosing the canister-type shock absorber with the bidirectional damp reduces the vibration of the vehicle effectively again. This design makes the drivers feel comfortable during the driving and no tired sense after a long time driving.

Rear suspension

6X4、8X4, the obvious change of the structure of the new type separate version balance suspension bracket, it was changed from the traditional whole balance shaft to the two right and left balance shaft assemblies which are independent, because the landscape orientation transferring parts, for example:, the guided board, leaf spring bracket were taken off, the upper traction bar was changed from the grade stab to V type traction bar, the both terminals of the V type traction bar are fixed to the seat of the V type traction bar on the truck frame.

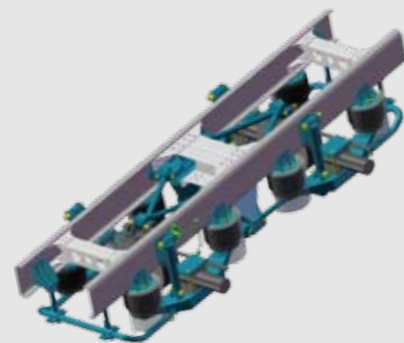
Advantages of equalizing suspension capability

1. Lower barycenter, better stability. The new suspension reduces the height of the vehicle's barycenter when vehicle loads full so that makes the safety of driving improved; it widens the leaf spring distance so makes the landscape orientation stability of vehicle higher.
2. The limiting distance has been improved, and the driving axle jumping distance increased greatly (under full-load, the limiting distance is the traditional suspension's double). for the new type suspension eliminates the interference point of the traditional suspension between trunnion shaft and propeller shaft, down distance rod and bracket, so the design enlarges the limiting distance of the driving axle and makes the driving axle have still have bigger jumping room even loads much. That the jumping room of the driving axle increases means axle can load balanceable when meets bigger obstacle, and the circumstance that one axle has no loading while the other one overloads will not happen easily.
3. The stability of the triangle makes the V-pole has good landscape orientation locating function, so the landscape orientation fleeing distance of the driving axle reduces much compared with the traditional suspension. It doesn't only solves the problems that the thru shaft gear abrades and oil leaks which happen frequently in the traditional suspension, but also reduces the tire abrasion of the driving axle and improves the vehicle landscape orientation stability.
4. The special designed leaf spring ballast, leaf spring and U-bolt makes the phenomenon that leaf spring comes loose and breaks and the leaf spring center bolt rupture reduces greatly.
5. For without the function of landscape orientation locating function, the reliability of trunnion shaft assembly improves much compares with the traditional equalizing suspension assembly. The rate that seal invalidations, gear abnormal abrasion or invalidation, and the trunnion shaft center bolt rupture will fall greatly.



Air suspension

- ◇ Adjustable loading capacity
- ◇ Elastic coefficient changes with the loading
- ◇ Natural frequency hardly changes when loading changes
- ◇ Natural frequency is a little low
- ◇ More comfortable and safer
- ◇ More steady when driving the vehicle
- ◇ Extend the using life of tire and braking slice
- ◇ The height of the vehicle doesn't change when loading changes
- ◇ Reduce the repairing cost of electricity, air conditioner, exhausted system, axle and chassis
- ◇ Reduce the concussion to the road, protect the road.





A. HINO P11C series engine
 B. CUMMINS ISME series engine
 C. American PACCAR engine
 D. Mitsubishi 6M70 engine

A. HINO P11C series engine

P11C-UH (325HP)
 P11C-UH (350HP)
 P11C-UR (380HP)

B. CUMMINS ISME series engine

ISMe345 30 (345HP)
 ISMe385 30 (385HP)
 ISMe420 30 (420HP)

C. American PACCAR engine

410hp、460hp

D. Mitsubishi 6M70 engine

6M70 (380HP)

B10 life is longer than 1000,000km.

The advanced inlet and exhaust system and fuel characteristics; an extremely low fuel consumption in broad range of power and speed

Diesel high-power output and large torque backup can make the vehicle work easily under different conditions.

Low emission, low pollution, low noise are all in accordance with emission standard of national III.

Power resource

High reliability

Economical efficiency

Super power

Environmental protection

Clutch and Transmission

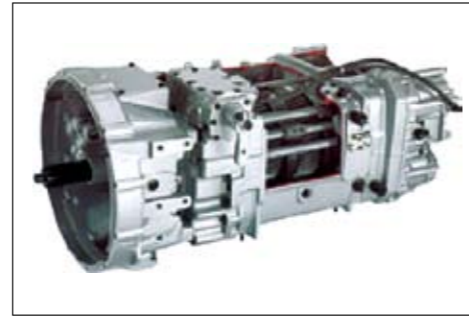
Steering System



Mitsubishi



FAST 12JS165



ZF16S1950

Transmission

1. ZF16S1650 transmission is 16 gear transmission made by ZF transmission technology (Hangzhou) LTD. It is very easy to operate. The synchronization ensures the engaging teeth of all gears can move with the same orientation and speed before they engage together so shift gear is rapid and reliable.
2. Bipod doesn't have to leave the clutch when upshift.
3. It is not necessary to step on the accelerator fiercely when downshift, even in the situation of downgrade and complex traffic. The surface of synchronized ring is plated by molybdenum.
4. Shift between high, low gear and half gear is realized by air-operated control.
5. High performance and big input torque is profited from the optimized gear processing craftwork.



SACHS from Germany

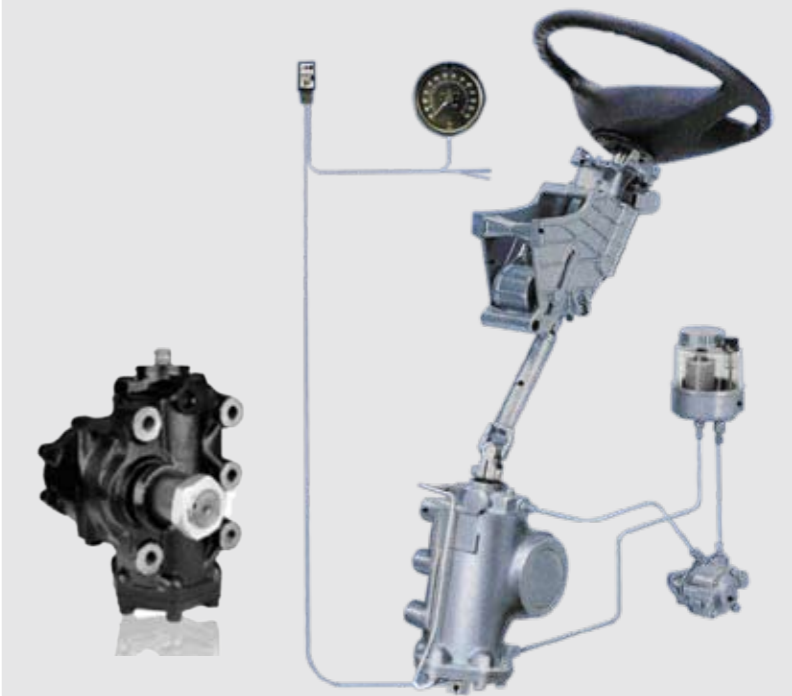


Clutch

1. The clutch has many advantages like big torque capacity, steady torque capacity, high reliability, strong loading power. FD430L series pull-type clutch is suitable for heavy-duty trucks whose biggest weight is 30 tons or more. And this series clutch can match the engines from 320HP to 430HP.
2. SACHS clutch is 430 pull-type clutch matched with ZF transmission. It has good quality, high reliability and long using life, and it can match the engines from 320HP-430HP.

Imported steering gear

1. Steering gear imported from Germany
2. Operating easily, turning agility, driving steady, reversible degree appropriate
3. Steering tubes all adopt stainless steel seamless tubes. They have good heat elimination character and avoid that the steering hydraulic oil is too hot.



Two steering front axle

The particular two front axle steering mechanism is more suitable for overloading transportation. The orientation parameter of two front axles is reasonable and reduces the abnormal abrasion of the tire of the second axle. The front axle is equipped the landscape orientation stabilizer and it improves the driving stability of vehicle. The wheel base of the two front axles is 1940mm. the distance is short, and the two axles hold the weight equally. The mechanism is simple and reliable. The two front axles braking system depends on the relay valve to operate. Braking is rapid and reliable and there is no braking lag phenomenon.



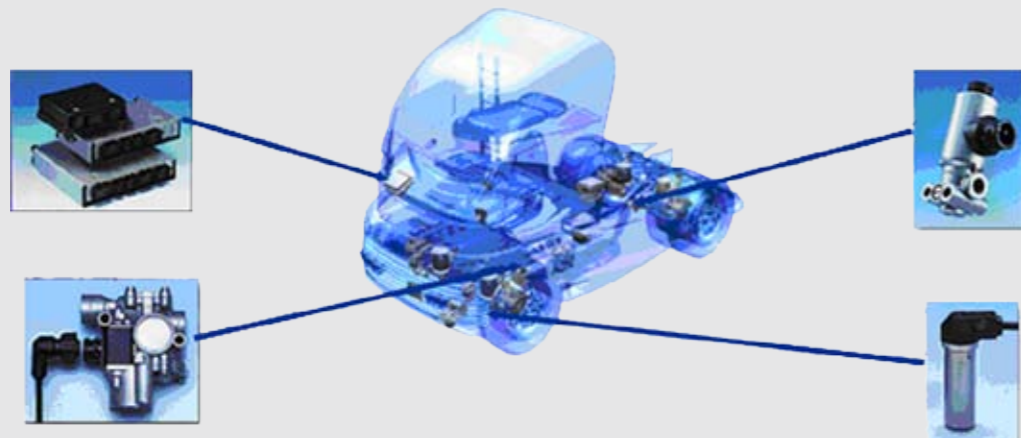
9T.7.5T

Braking System

Other parts



1. Keep the maneuverability of the vehicle direction when emergent braking happens.
2. Shorten and optimize the braking distance, on the regular surface of the road, maintaining the best utilization rate of adhesion coefficient of the road—the best braking distance.
3. Reducing the traffic accident.
4. Alleviating the mental burden of the drivers.
5. Reducing the tire wear and upkeep costs.
6. Conventional braking system still work when ABS failed.
7. ASR system keeps the driving force of the vehicle.
8. Ensuring the stability of the driving when the vehicles start-up, speed up and swerve on the wet road.
9. Warning the damp and slip of the road by the caution light.
10. Assembling EVB exhaust braking system, improving the braking efficiency, fuel prudent and pro-environment.
11. Adopting new-style quick connector, connecting quickly, easy to assemble and disassemble, good gas tightness.



- A. Aluminium alloy oil tank
- B. Quadrate muffler
- C. Tractor walking board
- D. Battery cell and air reservoir
- E. Monolithic fender
- F. Convenient foot plate

CAMC H08 Cargo Truck and Tractor Introduction



Tractor technical parameters

The price of CAMC tractor with small horsepower is similar to that of competitors, but the specifications are higher than them. It is especially suitable for individual customers and logistics of medium and long distance. Its horsepower is from 260PS and 345PS.

CAMC tractor with big horsepower is suitable for mineral transport, bulk cargo transport and the long-distance transportation of large goods and equipment. Its horsepower is from 350PS and 420PS. Its strong power, comfortable cab and low fuel consumption bring higher reliability and economy to users, greatly enhancing the efficiency of transportation.

No.	Model	Engine	Horsepower (ps)	Length x Width x Height (mm)	Number of axles	Wheelbase (mm)	Tyre	GVW (kg)	Payload (kg)	Kerbmass (kg)	Maximum speed (km/h)
1	HN4181P33C4M3	SC9DK290Q3	290	5790x2495x3100	2	3400	11.00/12.00	1800	10945	6860	90
		WD615.93	390	5790x2495x3600							
		WP10.300	300								
2	HN4180P35C4M3	WD615.33(Hangzhou)	340	5590x2495x3047	2	3400/3200	11.00/12.00	1800	10655	7150	90
		WP10.290	290								
		WD615.93E	290	5590x2495x3560							
		WD615.95E	336								
		ISLe290 30	290								
3	HN4181P35C4M3	ISLe310 30	310	5790x2495x3100	2	3400	11.00/12.00	1800	10945	6860	90
		C9DI	350								
		ISLe340 30	340	5790x2495x3600							
		WD615.95	336								
		P11C-UH	325								
4	HN4180P38C4M3	SC9DF340Q3	340	5790x2495x2965	2	3400	11.00/12.00	1800	11005	6800	90
		PIIC-UJ	350								
		6M70	380	5790x2495x3560							

Note: cabin, engine, wheelbase, tyre, gearbox and driving axle have options.

Cargo truck technical parameters

GVW: 16、19、22、25、31T

Number of axles: two axles, three axles, four axles

Type of cabin: flat roof, high roof, wide body and narrow body

Engine power:180~460PS (CUMMINS 345~420、HINO 350~380、WEICHA1 240~460、WUXI DIESEL ENGINE 180~320、DONGFENG

CUMMINS 185~375 and so on)

GEARBOX: 6~16 (FAST、ZF、Mitsubishi)

STEERING SYSTEM: ZJ110 ZF8098

FRAME: 976 double reduce section、high strength, double and single reduction axle, air suspension

Cargo body: corrugated plate type, net type, stake type

No.	Cabin	Engine	Power (PS)	Length (mm)	Width (mm)	Height (mm)	Length of cargo body (mm)	Width of cargo body (mm)	Height of cargo body (mm)	Number of axles	Wheelbase (mm)	Tyre	GVW (kg)	Payload (kg)	Kerbmass (kg)	Maximum speed (km/h)
1	Flat roof,	WP10.290N	290	8870	2496	3222	6200	2300	600	2	4800	11.00/ 12.00	16000	7805	8000	85
2	high roof,	WP10.336N	336	10710	2496	3222	7900	2340	800	3	4710+1350		25000	15290	9515	85
3		WP10.375N	375	11170	2496	3540	8500	2300	800	3	5220+1350		25000	13955	10850	85
4	long type,	ISLE290 30	290	12270	2496	3222	9600	2300	800	3	5850+ 1350		25000	12955	11850	90
5	short type,	ISME345 30	345	10970	2496	3540	8300	2300	800	3	1940+4710		16100	7900	8005	90
6	dome are	P11C-UH	325	11300	2496	3222	9600	2300	800	3	1940+5220		21000	11005	9800	88
7		P11C-UJ	350	12270	2496	3540	9600	2300	800	4	1940+3910+1350		31000	17995	12810	88
8	optional.	WD615.93	290	12270	2496	3222	9600	2300	800	4	1940+4515+1350		31000	17995	12810	88

Note: cabin, engine, wheelbase, tyre, gearbox and driving axle have options.



CAMC H08 Dumper and Mixer Introduction



Mixer technical parameters

No.	Vehicle model	Chassis model	Engine Model	Engine Power (KW)	GVW (kg)	Payload (kg)	Overall dimension (mm)	Wheelbase (mm)
1	AH5256GJB6	HN3250P35D4M3J	WD615.329/WD10.336/ISLe34030/P11C-UJ/WD615.95/ISME385 30/WP10.336N	213/243/250/254/247/283/247	25000	9805	9600x2495x3900 9800x2495x3950	4100+1450
2	AH5256GJB7	HN3250P34C6M3J	WD615.334/WP10.290/CA6DL1-29E3/CA6DL1-32E3/WD615.329/ISLe290 30/ISLe310 30/ISLe340 30/WP10.336/WD615.95	247/213/213/239/213/213/228/250/247/247	25000	11605	8800x2495x3900	3600+1450
3	AH5311GJB4	HN3310P37C3M3J	P11C-UJ/WP12.375/6M70/WP10.375/WD615.338(Hangzhou)/SC9DF375Q3/ISME385 30 / ISME345 30/ISLe340 30/ISLe375 30/WP10.336/WD615.334/C9DI/WP10.336N	259/274/279/276/276/275/283/254/250/275/247/249/261/247	30995	13900 15000	10750 × 2495 × 3990 10430 × 2495 × 3860	1940+3370+1450 1940+3370+1450
4	AH5253GJB3	HN3250P35C6M3J	P11C-UJ/ISLe340 30/WP12.375/ISME385 30/P11C-UR/6M70/WD615.334/WP10.336/P11C-UH/SC9DF340Q3/ISME385 30/ISME345 30/WD615.95E/WP10.336N	259/250/274/283/275/279/247/247/240/251/283/254/247/247	25000	11805	9000 × 2495 × 3800 8700 × 2495 × 3780	3600+1450 3600+1450 3800+1450

Dumper technical parameters

CAMC dumper has developed to series products. Engine power: 260PS-385PS

Length of deck: 4.8、5.2、5.4、5.6、5.8、6.2、7.2、7.5、8.1、8.2。(unit: m)

In order to lower vehicle height of center of gravity and increase the stability and suitability of road, 08 CAMC heavy-duty truck series all adopt the variable section frame with the structure of front 976mm and rear 852mm and reduce the weight of entire vehicle for saving fuel consumption and increasing payload.

Many options for engine with different horsepower, transmission, driving axle can satisfy the needs of various working conditions and usages, widely used for the short-distance transportation of coal, iron ore, sand, cement clinker etc.

No.	Cabin	Engine	Power (PS)	Length (mm)	Width (mm)	Height (mm)	Length of cargo body (mm)	Width of cargo body (mm)	Height of cargo body (mm)	Number of axles	Wheelbase (mm)	Tyre	GVW (kg)	Payload (kg)	Kerbmass (kg)	Maximum speed (km/h)
1	Flat roof,	SC9DF290Q3	290	7770	2496	3450	5000/5200	2300	1200	3	3200+1350	11.00/ 12.00	25000	13055	11750	78
2	high roof,	WP10.300N	300	8170	2496	3450	5400	2300	1250	3	3400+1350		25000	12750	12055	78
3		ISLe310 30	310	8370	2496	3450	5600	2300	1100	3	3600+1450		25000	12400	12405	78
4	long type,	P11C-UH	325	9440	2496	3360	6200	2300	1000	3	4100+1350		23220	11555	11470	78
5	short type,	WP10.336N	336	10370	2496	3360	7200	2300	1100	4	1940+3280+1450		31000	15455	15350	78
6	dome are	ISME350 30	350	10970	2496	3360	7800	2300	900	4	1940+3910+1450		26200	12995	13010	78
7		P11C-UR	380	11370	2496	3360	8200	2300	850	4	1940+4210+1450		27000	13355	13450	78
8	optional.	ISME385 30	385	12270	2496	3360	9600	2300	750	4	1940+4515+1450		26300	12995	13110	78

Note: cabin, engine, wheelbase, tyre, gearbox and driving axle have options.



CAMC H08 Bulk Cement Truck and Bulk Powder Goods Tanker Introduction



Bulk Cement Truck Technical Parameters

No.	Vehicle model	Chassis model	Engine Model	Engine Power (kw/Horsepower)	GVW (kg)	Payload (kg)	Overall dimension (mm)	Wheelbase (mm)	Effective volume (m ³)
1	AH5310GFL6	ZZ1317M4669V	WD615.93 WD615.92 WD615.93E	213/290 196/267 213/290	31000	13000	11990 × 2496 × 3870	1940+4575+1400 1940+4600+1450	33 8300 φ 2480
2	AH5301GFL	HN1310P35D6M3J	ISLe350 30	258/350	30000	13000	11960 × 2495 × 3850	1940+4605+1450	32.5 8300 φ 2480
3	AH5240GFL	HN1240P29E2M3J	WD615.329(Hangzhou) WP10.290 YC6L260-30 ISDe245 30 CA6DF3-24E3 WP10.270N WD615.92E	213/290 213/290 191/260 180/245 177/240 199/270 196/267	24000	9000	10930 × 2495 × 3820	5220+1450	22.5 7450 φ 2190
4	AH5313GFL	HN1310P29D6M3J	WD615.329(Hangzhou) YC6L260-30 CA6DL1-29E3 ISLe290 30 ISLe310 30 SC8DK280Q3	213/290 191/260 213/290 213/290 228/310 206/280	31000	12900	11960 × 2495 × 3880	1940+4605+1450	32.25 8300 φ 2480

Bulk Powder Goods Tanker Technical Parameters

No.	Model	Length (mm)	Width (mm)	Height (mm)	Payload (kg)	GVW (kg)	Volume (m ³)
1	AH9401GFL	12995	2500	3995	23400(24200)	39800	58(effective)
2	AH9400GSN	12980	2500	3990	26000	40000	39(effective)
3	AH9407GSN	12995	2500	3990	22800	39600	34.2(effective)
4	AH9404GSN	10880	2500	3780	26000	39500	30(effective)



CAMC H08 Pumper and Oil Tanker Introduction



Oil Tanker Technical Parameters

No.	Cabin	Engine	Power (PS)	Length (mm)	Width (mm)	Height (mm)	Number of axles	Wheelbase (mm)	Tyre	GVW (kg)	Payload (kg)	Kerbmass (kg)	Maximum speed (km/h)
1		SC9DF290Q3	290	6570	2496	3222	3	1940+2600	11.00/12.00	22000	14305	7500	110
2	Flat roof,	WP10.330N	300	6570	2496	3222	3	1940+2600		22000	14305	7500	110
3	high roof,	P11C-UJ	350	6570	2496	3540	3	1940+2600		22000	14305	7500	110
4	long type,	ISME385 30	385	6930	2496	3540	3	3200+1450		25000	15305	9500	110
5	short type,	ISME420 30	420	6930	2496	3540	3	3200+1450		25000	15305	9500	110
6	dome are optional.	WP12.460	460	6930	2496	3540	3	3200+1450		25000	15305	9500	110

Note: cabin, engine, wheelbase, tyre, gearbox and driving axle have options.

Concrete Pump Truck Technical Parameters

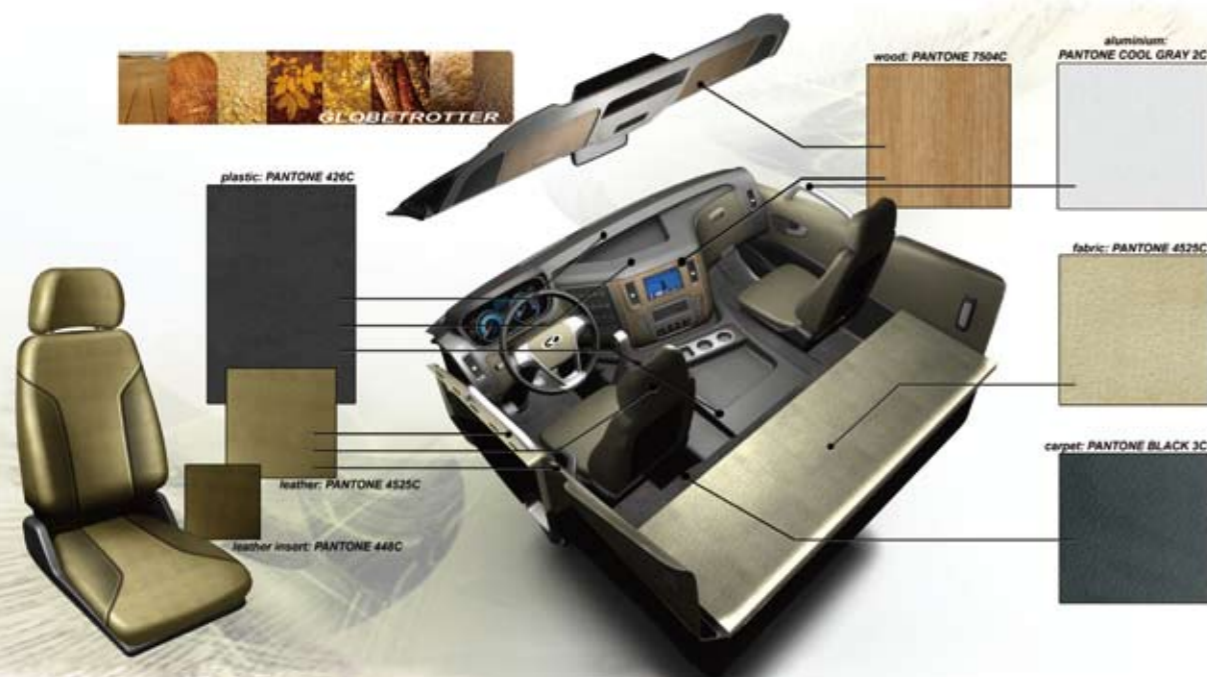
No.	Vehicle model	Chassis model	Engine Model	Engine Power (KW)	GVW (kg)	Overall dimension (mm)	Wheelbase (mm)	Maximum theoretical delivery volume (m ³ /h)	Max. Vertical height (m)	Number of boom section
1	AH5290THB	HN5290P37E2M3J	6M70/WP12.37/,ISLe350 30	279/274/258	29000	12440 × 2495 × 3930	5220+1450	38. 9	4	120
2	AH5340THB	HN5340P37D6M3J	6M70/WP12.37/,ISLe350 30	279/274/258	34000	12600 × 2495 × 3990	1940+4605+1450	41. 8	5	135
3	AH5381THB	HN5380P37D6M3J	6M70/WP12.37/,ISLe350 30	279/274/258	38000	12750 × 2495 × 3990	1940+4605+1450	46. 8	5	135
4	AH5470THB	HN5474P42E2M3J	ISME420 30/6M70	306/279	47000	14560 × 2495 × 3995 14090 × 2495 × 3995	1940+5200+1450+1600 1940+4730+1450+1600	51.8	5	150



CAMC H08 Special Purpose Vehicle



CAMC H08 New Model



CAMC · H08
Model Design: STILE BERTONE S.p.A. Italy



CAMC H08 Model Technical Parameters

	Name	Tractor	Tractor	Dumper	Dumper	Mixer	Mixer	Remarks
Chassis model	Driving type	4X2	6X4	6X4	8X4	6X4	8X4	
	Cab	08 High roof with double sleepers		08 Flat roof	08 Flat roof	08 Flat roof	08 Flat roof	optional
Overall dimension (mm)		5970	6980	7820	9218	8320	9218	For tractor, it refers to the height including dome. For others, it refers to the height without dome.
Overall width (mm)		2496	2496	2496	2496	2496	2496	
Overall height (mm)		3930	3930	3222	3222	3222	3222	
Engine (model)		ISM350E30	ISM420E30	P11C-UJ	P11C-UJ	P11C-UJ	P11C-UR	Optional
Gearbox (model)		16JS180T	ZF16S1950	ZF9S1820	ZF9S1820	ZF9S1820	ZF9S1820	Optional
Front axle (model)		CAMC	CAMC	CAMC	CAMC	CAMC	CAMC	
Driving axle (model)/ratio		CAMC/4.7	CAMC/4.7	CAMC/5.216	CAMC/5.216	CAMC/5.216	CAMC/5.216	Optional
Wheelbase (mm)		3400	3150+1450	3600+1450	1950+3370+1450	4100+1450	1950+3370+1450	Optional
Front suspension of chassis (mm)		1550	1550	1550	1550	1550	1550	
Rear suspension of chassis (The distance from the rear end of chassis to rear axle) (mm)		1020	830	1320	1098	1320	1098	
Chassis tread (mm)	Front wheel	2035	2035	2035	2035	2035	2035	
	Rear wheel	1860	1860	1860	1860	1860	1860	
Kerbmass of chassis (kg)	Front axle load	2860	3950	3915	4435	4050	4435	
	Rear axle load	3490	4830	4785	5415	4950	5415	
	Gross weight (Chassis)	6350	8780	8700	9850	9000	9850	
Permitted axle load of chassis (kg)	Front axle load	9000	9000	9000	48000	9000	18000	
	Rear axle load	16000	32000	3200	32000	32000	32000	
Minimum ground clearance (mm) (Under rear axle)		257	257	257	257	257	257	
Approaching angle		14	14	25	25	25	25	
Departure angle		23	24	23	22	24	22	
Minimum turning diameter (m)		8	8	9.5	11	9	11	



website

<http://english.camc.cc/>