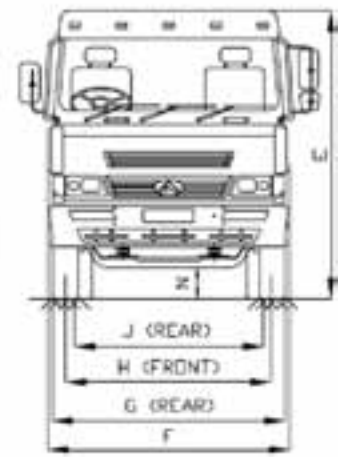
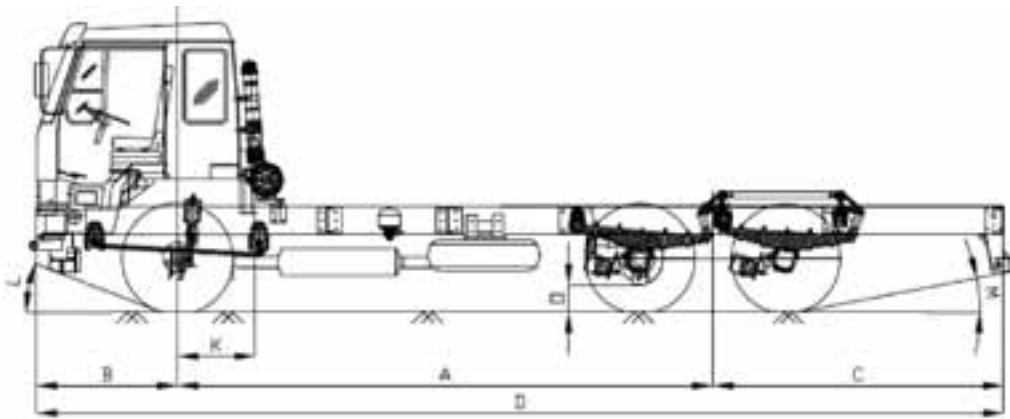


BUILDING MILLIONS OF  
**DREAMS**  
**AMW 2516 TM**





## AMW Motors Ltd.

## AMW 2516 TM

### CHASSIS NOMINAL DIMENSIONS -

#### Unladen (mm)

A Wheel Base	: 4300
B Front Overhang	: 1385
C Rear Overhang	: 1785
D Overall Length	: 7470
E Overall Height (Cab)	: 2725
F Overall Width (Cab)	: 2475
G Overall Width (Rear Tyres)	: 2494
H Wheel Track – Front	: 2020
J Wheel Track – Rear	: 1856
K Front Axle to Back of Cabin	: 760
L Approach Angle	: 19°
M Departure Angle	: 41°
N Min Ground Clearance – Front	: 280
O Min Ground Clearance – Rear	: 274
P Frame Width	: 864

### WEIGHTS (Kgs)

	Unladen Chassis	Laden (CMVR)
Front Axle:	3290	6000
Rear Axle:	3570	19000
Total:	6860	25000

### ENGINE

Model: CUMMINS - B5.9 180 31 - BS III  
 Type: DI - Turbo Charged after Cooled Diesel Engine  
 No. of Cylinders: 6 inline  
 Bore x Stroke: 102 x 120 mm  
 Capacity: 5883 CC  
 Max Power: 117 Kw (15 Bhp) @ 2500 Rpm  
 Max Torque: 590 Nm @ 1500 Rpm  
 Compression Ratio: 18.1:1  
 Oil Sump Capacity: 15.4 Ltrs  
 Air Filter: Dry type Remote Mounted  
 Oil Filter: Full Flow Paper Type  
 Fuel Filter: Single filter with water separator  
 Fuel Injection Pump: Rotary FIP  
 Fuel Tank: 240 Ltrs

### CLUTCH

Ø 380 mm Single dry plate Coil type clutch with Hydro pneum atically operated

### GEAR BOX

Model: FS 6306 A Gear Box – Synchromesh  
 Speed Ratios:  
 I – 9.01, II – 5.27, III – 3.22, IV – 2.04  
 V – 1.36, VI – 1.00, Reverse – 8.63

### PROPELLER SHAFT

1710 Series - GB to rear Axle  
 SPL90 Series

### REAR AXLE

Fully floating Tandem Axles: Both driven Hypoid Bevel Gears with inter axle Diff. lock-air operated.  
 Ratio: 6.17

### FRONT AXLE

Forged I Section – Reverse Elliot type

### FRAME

All Steel, Ladder Type Bolted Cross members.  
 Side Member: 256 x 75 x 7mm Channel

### SUSPENSION

Front: Semi elliptical leaf springs. Span: 1650 mm  
 Rear: Bell crank springs Span: 1279mm

### SHOCK ABSORBERS

Heavy duty, double acting hydraulic shock absorbers on front suspension.

### STEERING

Integral Power Steering, with Double UJ.  
 Ratio 20.4  
 Adjustable Steering Wheel.  
 Steering Wheel Dia: 475 mm

### WHEELS & TYRES

Rims: B7.5 x 20 – 10 Bolts, Spigotted  
 Tyres: Front: 10.00 X 20 – 16 PR - 2 Nos (Highway)  
 Rear: 10.00 X 20 – 16 PR - 8 Nos (Lug)  
 Spare: 10.00 X 20 – 16 PR - 1 No (Highway)

### BRAKES

Service Brakes: Dual Circuit full Air  
 Parking Brake: Spring actuated on Rear Axles  
 Engine Exhaust brake: Butterfly type, provided

### ELECTRICAL SYSTEM

System : 24 Volt (Negative Earth)  
 Alternator : 45 A (75 A for A/C: optional)  
 Battery: 2 x 12V x 130 Amp hr (20 hr rating)  
 - A/C (Optional)

### CABIN

Fully furnished, Tiltable Sleeper Cabin.  
 A/C (Optional)

### TRANSIT MIXER EQUIPMENT DATA

Capacity: 6 cu.m

### PERFORMANCE (@ 25000Kgs)

Max Speed - geared (KMPH) : 79  
 Max. Gradeability (Running) (%) : 21  
 Min. Turning Circle Radius (mm): 9350

### Disclaimer:

Any modification related to chassis to be done with prior approval from R&D, AMW.

Do not weld or drill chassis.  
 Technical Specifications are subject to change without notice.  
 Accessories shown are not part of the standard fitment.

AMW/2013/11/2516TM/REV01



### AMW Motors Ltd.

7th Floor, Tower-1, Equinox Business Park, Peninsula Techno Park,  
 Off. Bandra Kurla Road, L.B.S. Marg, Kurla (West), Mumbai - 400 070, India.  
 Tel.: + (91-22) 3382 6000 • Fax: + (91-22) 3382 6123.

• www.amwmotors.com • AMW Motors Ltd. • AMWMotorsLtd



**TOLL FREE HELPLINE : 1800-209-2447**

