

# TRUCK A10000



**AGRALE**

[www.agrale.com.br](http://www.agrale.com.br)

@ f agraleSA



AGRALUB



PARTS &  
SERVICES



WARRANTY

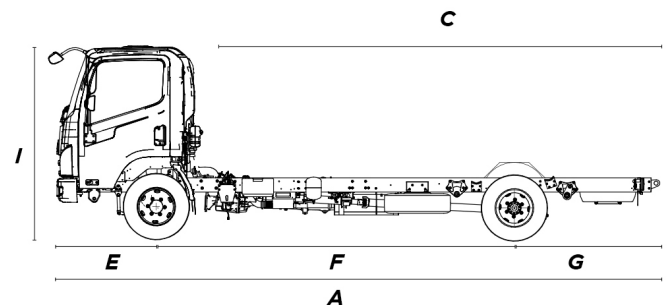


# TRUCK A10000

Generated on 17/07/2022 12:03:12

CAB	
Type	Avançada e Basculante
Construction	Cabine de aço
No. of Seats	1 + 2 Passageiros
ENGINE - CUMMINS ISF 3.8	
No. of Cylinders/Displacement	4/3760cm
Maximum Power	162cv (119 kw) a 2600 rpm
Maximum Torque	600 Nm / 1300 a 1700 rpm
Aspiration	Sobrealimentado com dois estágios de turbo
ELECTRICAL SYSTEM	
Tension   Battery   Alternator	24 V
TRANSMISSION - EATON FSO 4505 C	
Clutch   External Diameter	Orgânica - Monodisco a seco c/ acionamento hidraulico
External Diameter	362 mm
No. of Gears	5 a frente/1 a ré
AXLE	
Front axle	DANA 3.2T
Front	Viga I em aço forjado
Rear axle	DANA S16-130
Standard ratio	4,30:1
THEORETICAL PERFORMANCE	
Maximum Speed	(NS) 115 Km/h (OPC) 130 Km/h   127 Km/h   121 km/h   109 km/h
Gradeability (GVW)	(NS) 34,9% (OPC) 29,5%   31,2%   33%   37,5%
TIRES	
Dimensions	235 / 75R17,5
WHEELS	
Dimensions	17,5 x 6.75"
CHASSI	
Type	Escada em LNE 38 - Perfil "C" Parafusado
Front Suspension	Molas parabólicas e barra estabilizadora
Rear Suspension	Molas semi-elípticas e Barra estabilizadora
Shock Absorbers	Telescópicos de dupla ação

BRAKES	
Service Brake	Tambor/ "S CAM" Pneumático Assistido Eletronicamente (ABS) com regulagem automática
Engine Brake	Eletro-pneumático/Tubo de escape
Parking Brakes	Spring brake 24
STEERING	
Type	Hidráulica
Turning Circle	14,4 m / 16,4 m (guia a guia) 15,7 m / 17,7 (parede a parede)
SUPPLY CAPACITY	
Fuel Tank (Diesel S50)	150 L
Urea Tank (Arla 32)	16 L
WEIGHTS AND CAPACITIES	
Curb weight	3.260 kg   3.305 kg
GVW - Gross Vehicle Weight	10.000 kg
GVW with 3rd axle (installed by others)	12.000 kg
Payload	6.740 kg   6.695 Kg
MTC - Maximum Traction Capacity	15.500 kg
Maximum Load of Front Axle	3.200 kg
Maximum Load of Rear Axle	5.500 kg
FEATURES	
Air Conditioner , Air deflectors (front columns), Automatic Brake Adjuster, Catch-hands doors, Clutch servo pneumatic cylinder, Cruise Control, Digital tacograph, Electric door Locks, Electric Window, Engine Brake, Forced ventilation and defroster , Heating System , Key objects of doors, Net storage (rear panel), Port-soap, Rear Stabilizer Bar, Storage box (dashboard), Urea tank cap with key, Wide angle (two sides)	



A	Comp. Total	6770 mm
B	Altura Cabine	2350 mm
C	Comprimento livre aplicações	4795 mm
D	Altura Mínima Solo	210 mm
E	Balanço Dianteiro	1200 mm
F	Entre Eixos	3750 mm
G	Balanço Traseiro	1820 mm
H	Largura Espelho à Espelho	2660 mm
I	Altura Total	2350 mm



This literature is for the product information and illustrati products with characteristics or different optional inform the Commercial Proposed celebrated by the legal repres